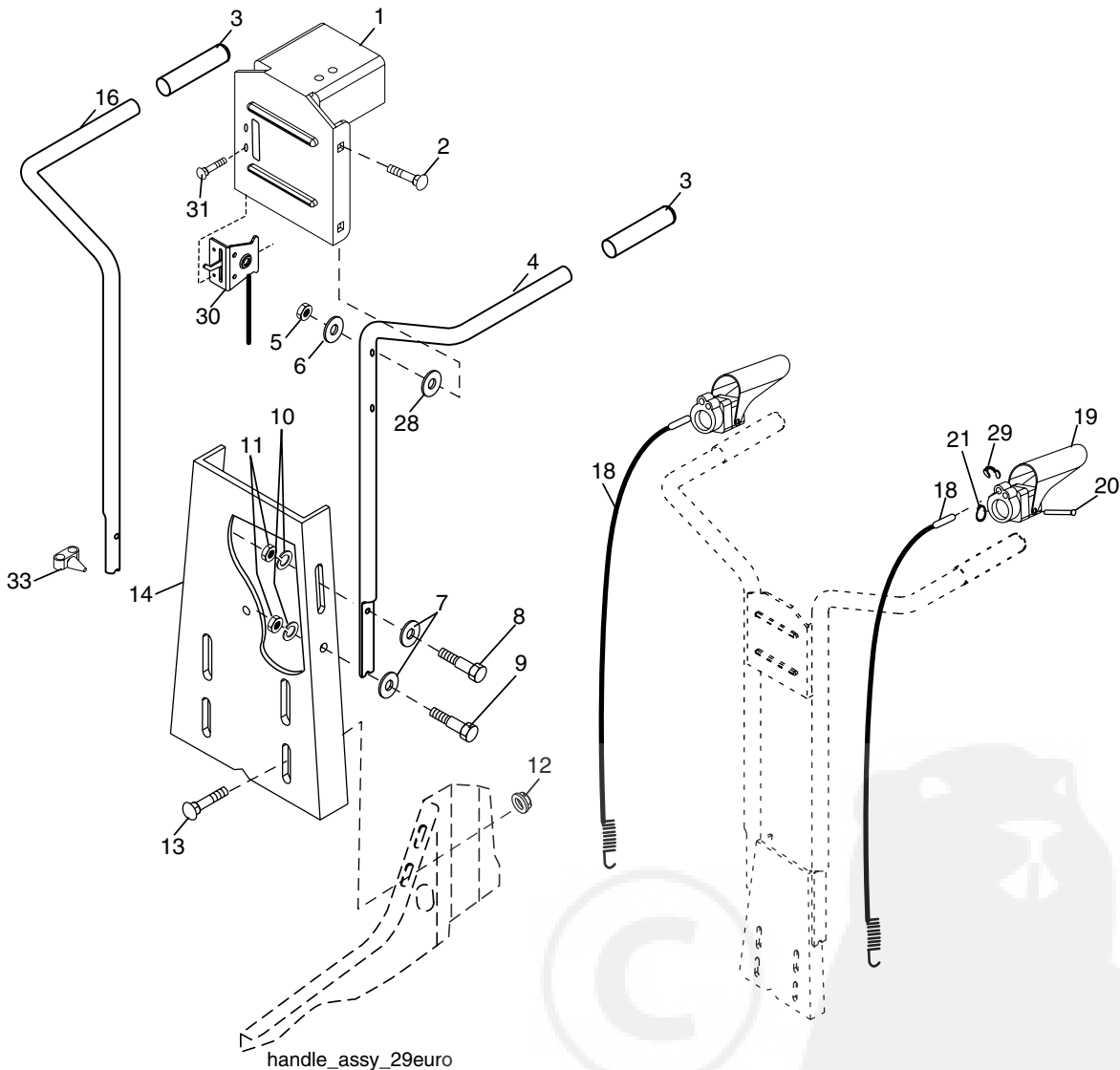


REPAIR PARTS MANUAL
MODEL NO. FYX850 (96081000201)
5.5 HP 24 Inch
Tiller

Rally

REPAIR PARTS

TILLER - - MODEL NUMBER FYX850 (96081000201), PRODUCT NUMBER 960 81 00-02
HANDLE ASSEMBLY



handle_assy_29euro

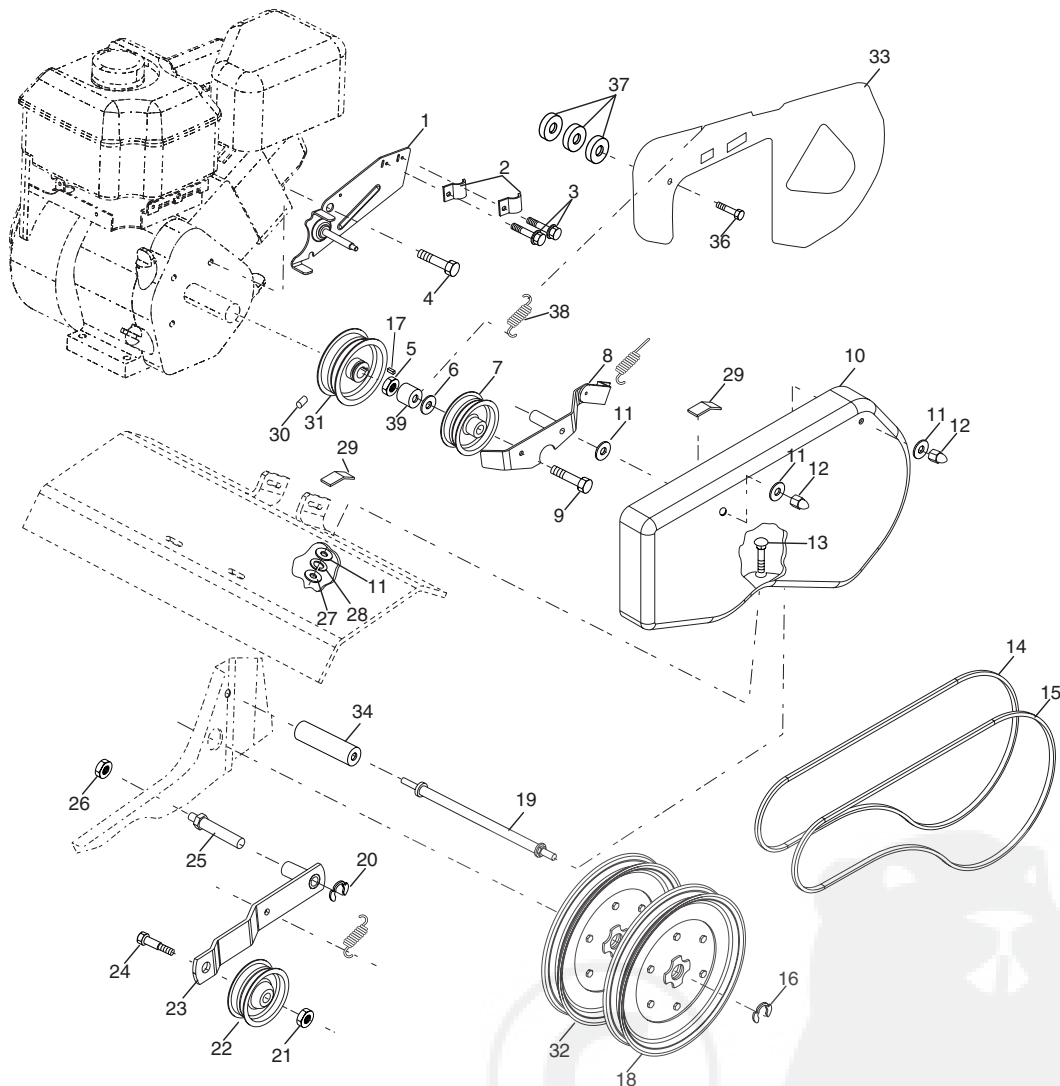
KEY NO.	PART NO.	DESCRIPTION
1	532 19 07-66	Bracket, Handle
2	872 14 05-12	Bolt, Carriage 5/16-18 unc x 1-1½
3	532 00 92-66	Grip, Handle
4	532 16 63-76	Handle, L.H.
5	873 68 05-00	Locknut, Crown 5/16-18
6	819 11 11-16	Washer 11/32 x 11/16 x 16 Ga.
7	819 12 14-14	Washer 3/8 x 7/8 x 14 Ga.
8	874 76 05-16	Bolt, Hex Hd. 5/16-18 x 1
9	874 76 05-12	Bolt, Hex Hd 5/16-18 x 3/4
10	810 04 05-00	Washer, Lock 5/16
11	873 22 05-00	Nut, Hex 5/16-18
12	898 00 01-29	Nut, Flanged 5/16-18
13	532 18 08-47	Bolt 5/16-18 x 3/4
14	532 19 07-65	Panel, Handle

KEY NO.	PART NO.	DESCRIPTION
16	532 16 63-81	Handle, R.H.
18	532 16 68-68	Cable, Control, Tine
19	532 15 12-29	Lever, Control, Tine
20	532 15 48-05	Pin, Pivot Grooved
21	812 00 00-27	Ring, Klip
28	819 13 13-12	Washer 13/32 x 13/16 x 12 Ga.
29	812 00 00-59	Ring, Klip
30	532 18 06-30	Throttle Control
31	817 72 04-08	Screw Thd Cut 1/4-20 x 1/2
33	532 18 15-80	Clip

NOTE: All component dimensions are given in U.S. inches. 1 inch = 25.4 mm

REPAIR PARTS

TILLER -- MODEL NUMBER FYX850 (96081000201), PRODUCT NUMBER 960 81 00-02 BELT GUARD AND PULLEY ASSEMBLY



belt_guard_11.euro

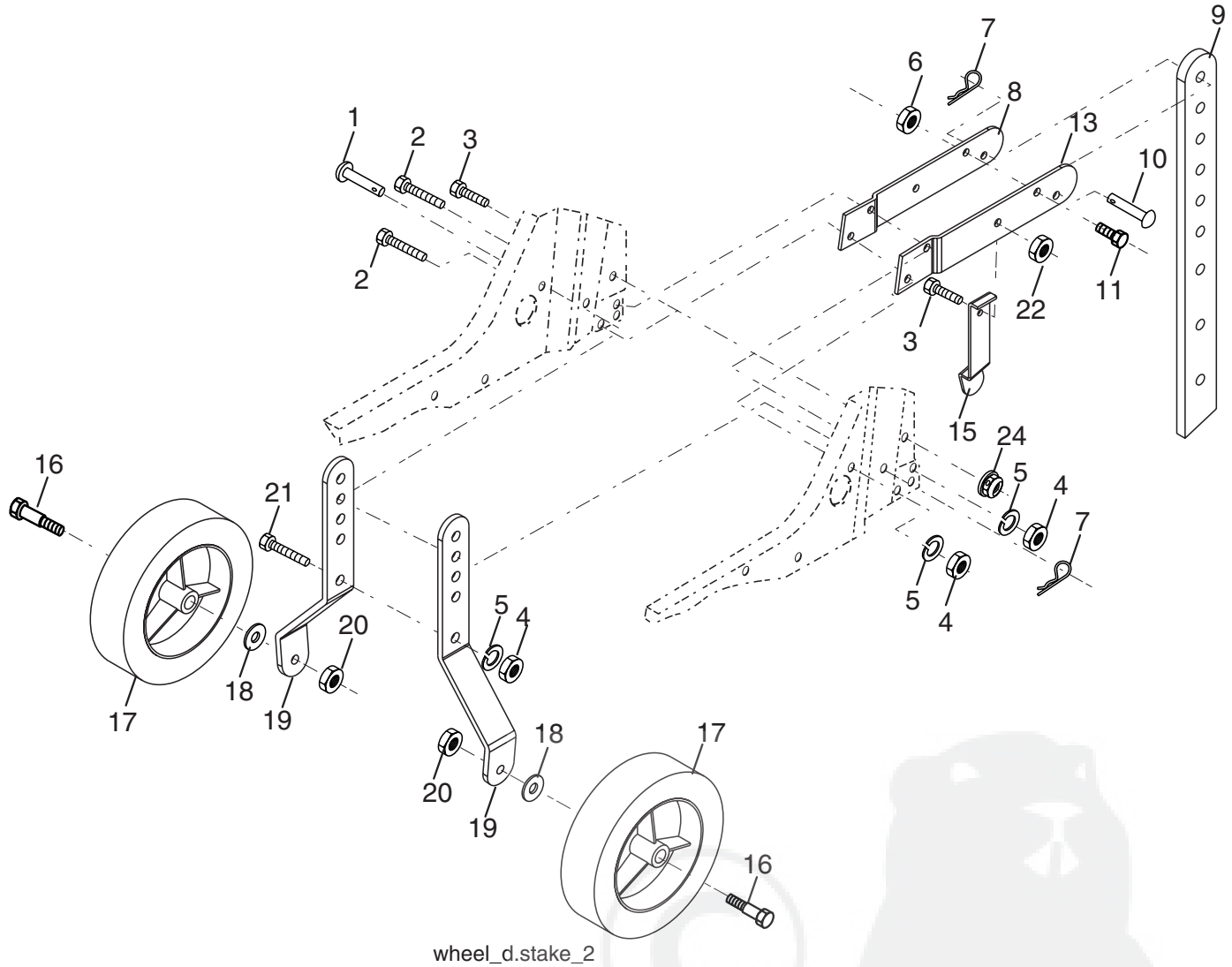
KEY NO.	PART NO.	DESCRIPTION
1	532 18 03-77	Assembly, Bracket, Belt Guard
2	532 00 94-84	Clip, Cable
3	532 08 67-77	Screw, Hex, Washer Hd., Slotted, Thd. Cutting #10-24 x 1/2 Type D
4	874 61 08-12	Bolt, Hex 1/2-20 x 3/4
5	873 68 06-00	Nut, Lock 3/8-16
6	819 13 13-16	Washer 13/32 x 13/16 x 16 Ga.
7	532 00 20-09	Pulley, Idler, Reverse
8	532 15 92-38	Assembly, Arm, Reverse Idler
9	874 76 06-28	Bolt, Hex 3/8-16 x 1-3/4
10	532 19 58-62	Guard, Belt
11	819 09 10-16	Washer 9/32 x 5/8 x 16 Ga.
12	532 10 42-13	Nut, Cap 1/4-20
13	872 14 04-05	Bolt, Carriage 1/4-20 x 5/8
14	532 13 30-35	V-Belt (Forward Motion)
15	532 00 26-14	V-Belt (Reverse)
16	812 00 00-28	Ring, Retainer
17	532 00 26-49	Key, Square
18	532 15 12-36	Sheave, Transmission Flat
19	532 18 85-02	Bolt, Belt Guard
20	812 00 00-36	Ring, Klip

KEY NO.	PART NO.	DESCRIPTION
21	873 35 06-00	Nut, Hex, Jam 3/8-16
22	532 16 18-06	Pulley, Idler
23	532 17 53-77	Arm, Idler
24	874 76 06-20	Bolt, Hex 3/8-16 x 1-1/4
25	532 10 69-68	Shaft, Idler Arm
26	873 35 05-00	Nut, Hex, Jam 5/16-18
27	873 22 04-00	Nut, fin Hex 1/4-20
28	810 04 04-00	Washer Lock Hvy Helical 1/4
29	532 10 92-27	Pad, Idler
30	823 20 04-04	Screw, Set, Socket, Headless C.P. 1/4-20 x 1/4
31	532 10 11-89	Sheave, Engine
32	532 15 12-23	Transmission, Engine
33	532 17 54-94	Shield Guard Belt
34	532 19 29-14	Spacer Split
36	874 33 05-16	Bolt 5/16 x 24 x 1
37	819 11 12-12	Washer 11/32 x 3/4 x 12
38	532 12 80-85	Spring Ext.
39	532 13 89-09	Spacer

NOTE: All component dimensions given in U.S. inches.
1 inch = 25.4 mm

REPAIR PARTS

TILLER - - MODEL NUMBER FYX850 (96081000201), PRODUCT NUMBER 960 81 00-02
WHEEL AND DEPTH STAKE ASSEMBLY



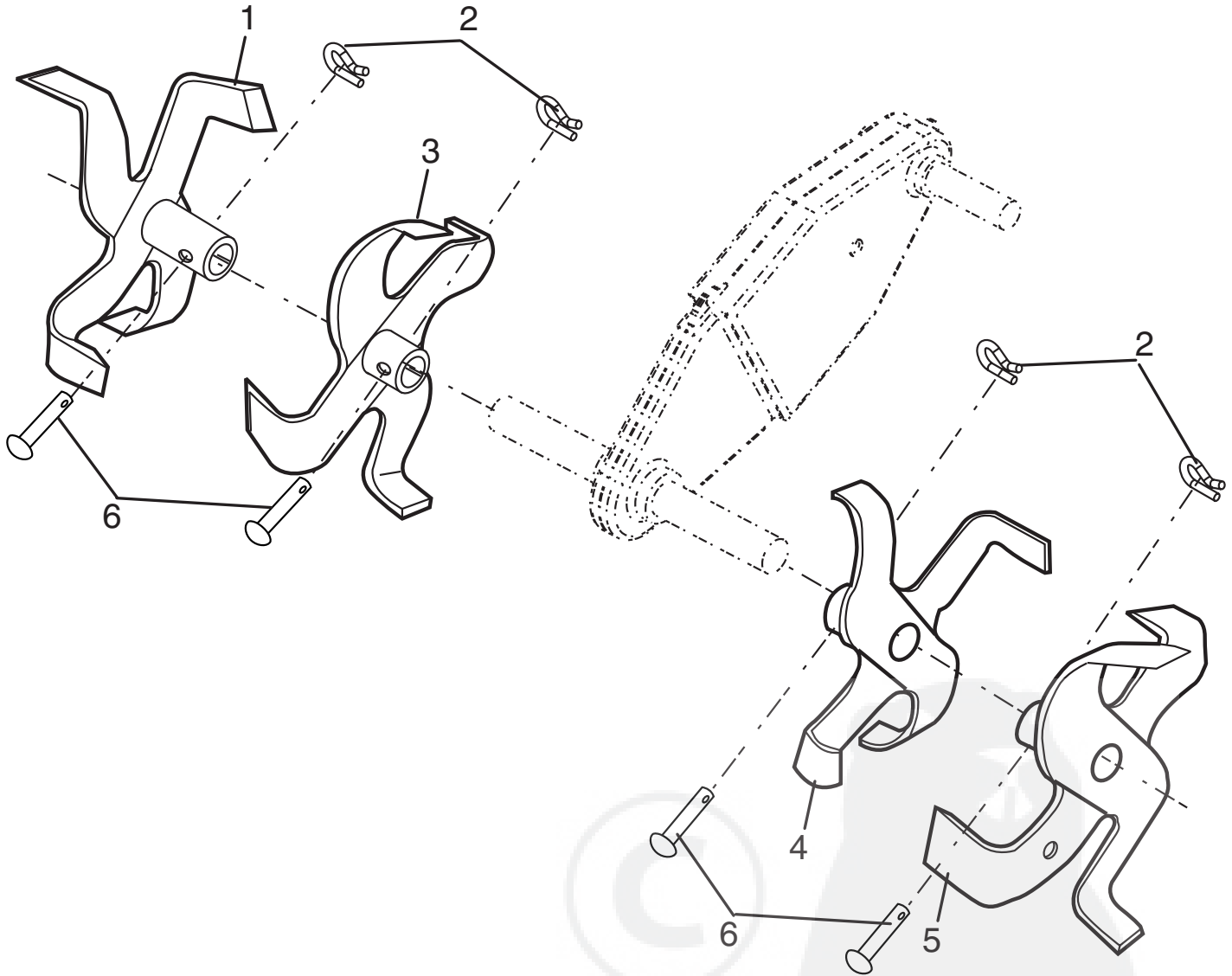
KEY NO.	PART NO.	DESCRIPTION
1	532 00 91-94	Pin, Clevis
2	874 76 05-20	Bolt, Hex 5/16-18 x 1-1/4
3	874 76 05-12	Bolt, Hex 5/16-18 x 3/4
4	873 22 05-00	Nut, Hex 5/16-18
5	810 04 05-00	Washer, Lock 5/16
6	873 80 06-00	Locknut, w/Washer 3/8-16
7	532 00 49-21	Retainer Spring
8	532 00 19-52	Support, Depth Stake, R.H.
9	532 12 22-33	Stake, Depth
10	532 00 03-26	Pin, Clevis
11	874 78 06-28	Bolt, Hex, Fin 3/8-16 x 1-3/4
13	532 00 19-51	Support, Depth Stake, L.H.

KEY NO.	PART NO.	DESCRIPTION
15	532 00 53-88	Spring, Stake
16	532 12 11-17	Bolt, Shoulder
17	532 00 91-88	Wheel
18	819 13 13-11	Washer 13/32 x 13/16 x 11 Ga.
19	532 00 91-90	Bracket, Wheel
20	873 68 06-00	Locknut, Crown 3/8-16
21	874 76 05-16	Bolt, Hex 5/16-18 x 1
22	873 80 05-00	Locknut, w/insert 5/16-18
24	873 97 05-00	Nut Lock Hex Flange

NOTE: All component dimensions given in U.S. inches.
1 inch = 25.4 mm

REPAIR PARTS

TILLER - - MODEL NUMBER FYX850 (96081000201), PRODUCT NUMBER 960 81 00-02
TINE ASSEMBLY



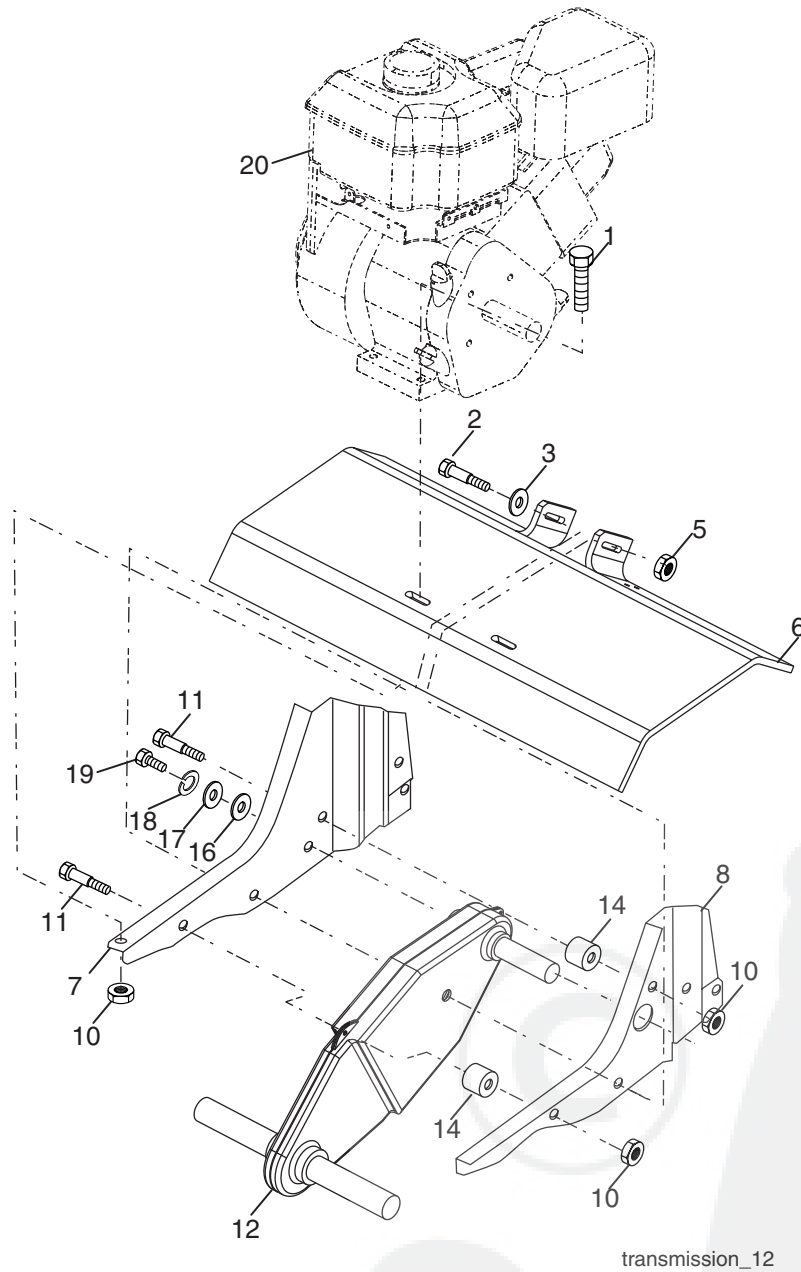
tine_ipb_3

KEY NO.	PART NO.	DESCRIPTION
1	532 15 69-26	Tine, Outer, R.H.
2	532 12 46-60	Retainer, Spring
3	532 15 69-24	Tine, Inner, R.H.

KEY NO.	PART NO.	DESCRIPTION
4	532 15 69-23	Tine, Inner, L.H.
5	532 15 69-25	Tine, Outer, L.H.
6	532 00 49-29	Pin, Clevis

REPAIR PARTS

TILLER - - MODEL NUMBER FYX850 (96081000201), PRODUCT NUMBER 960 81 00-02
TRANSMISSION



transmission_12

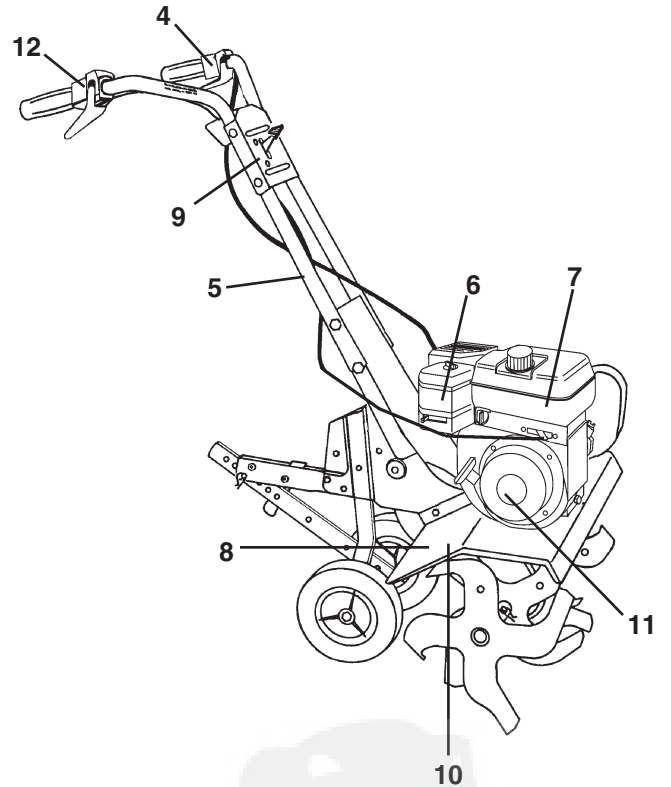
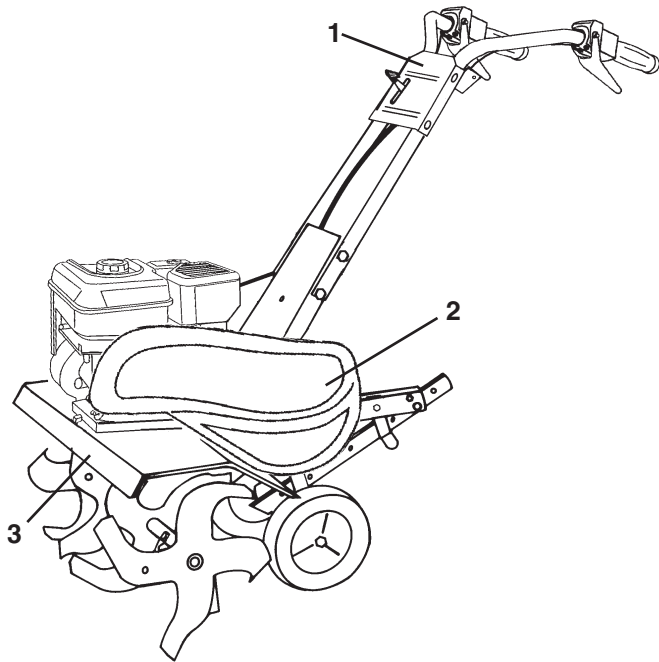
KEY NO.	PART NO.	DESCRIPTION
1	874 76 05-24	Bolt, Hex 5/16-18 x 1-1/2 Gr. 2
2	874 78 06-52	Bolt, Hex, Fin 3/8-16 x 3-1/4
3	819 13 13-11	Washer 13/32 x 13/16 x 11
5	873 90 06-00	Nut Lock Flg. 3/8-16 unc
6	532 13 83-43	Shield, Tine
7	532 18 81-95	Bracket, Engine, R.H.
8	532 16 58-34	Bracket, Engine, L.H.
10	873 97 05-00	Nut Lock Hex Flange
11	532 18 79-12	Bolt Shoulder 5/16-18 unc x 2.5
12	532 15 12-22	Transmission
14	532 00 91-73	Spacer, Split

KEY NO.	PART NO.	DESCRIPTION
16	819 09 14-12	Washer 9/32 x 7/8 x 12 Ga.
17	819 09 20-16	Washer 9/32 x 1-1/4 x 16 Ga.
18	810 04 04-00	Washer, Lock 1/4
19	874 61 04-12	Bolt, Hex 1/4-28 x 3/4 Gr. 5
20	-----	Engine, Briggs Model 126302 (Order parts from engine Manufacturer)

NOTE: All component dimensions given in U.S. inches.
1 inch = 25.4 mm

REPAIR PARTS

TILLER - - MODEL NUMBER FYX850 (96081000201), PRODUCT NUMBER 960 81 00-02
DECALS



KEY NO.	PART NO.	DESCRIPTION
1	532 13 26-29	Decal, Logo
2	532 19 46-40	Decal, Logo
3	532 19 66-28	Decal, Description
4	532 15 87-00	Decal, Control Forward
5	532 15 98-77	Decal, Hand Placement
6	532 19 46-89	Decal, Briggs & Stratton
7	532 17 10-77	Decal, B&S OHV
8	532 17 65-57	Decal, Warning, 4-Sym
9	532 15 76-07	Decal, Stop/Idle/Fast
10	532 14 54-37	Decal, CE
11	532 17 17-08	Decal, Rewind Intek
12	532 15 87-01	Decal, Control Reverse
--	532 19 47-17	Manual, Operator's (Euro)
--	532 19 47-18	Manual, Operator's (Scan)
--	532 40 26-97	Manual, Parts List

LIMITED WARRANTY

The Manufacturer warrants to the original consumer purchaser that this product as manufactured is free from defects in materials and workmanship. For a period of one (1) year from date of purchase by the original consumer purchaser, we will repair or replace, at our option, without charge for parts or labor incurred in replacing parts, any part which we find to be defective due to materials or workmanship. This Warranty is subject to the following limitations and exclusions.

1. This warranty does not apply to the engine or components parts thereof. Please refer to the applicable manufacturer's warranty on these items.
2. Transportation charges for the movement of any power equipment unit or attachment are the responsibility of the purchaser. Transportation charges for any parts submitted for replacement under this warranty must be paid by the purchaser unless such return is requested by your dealer.
3. The Warranty period for any products used for rental or commercial purposes is limited to 90 days from the date of original purchase.
4. This Warranty applies only to products which have been properly assembled, adjusted, operated, and maintained in accordance with the instructions furnished. This Warranty does not apply to any product which has been subjected to alteration, misuse, abuse, improper assembly or installation, delivery damage, or to normal wear of the product.
5. Exclusions: Excluded from this Warranty are belts, tines, tine adapters, normal wear, normal adjustments, standard hardware and normal maintenance.
6. In case of any problem within the boundaries of this warranty, contact the nearest department store, indicate the model number, serial number and the date of purchase of your machine. This warranty does not apply to accidental damages. All implicit warranties are limited to the same time frames. Or contact:

E.M. Services
54 Rue Lambrechts
92400 Courbevoie
France
Telephone: (1) 46678078
Fax: (1) 46678095

THIS WARRANTY DOES NOT APPLY TO INCIDENTAL OR CONSEQUENTIAL DAMAGES. ANY IMPLIED WARRANTIES ARE LIMITED TO THE SAME TIME PERIODS STATED HEREIN.



Rally