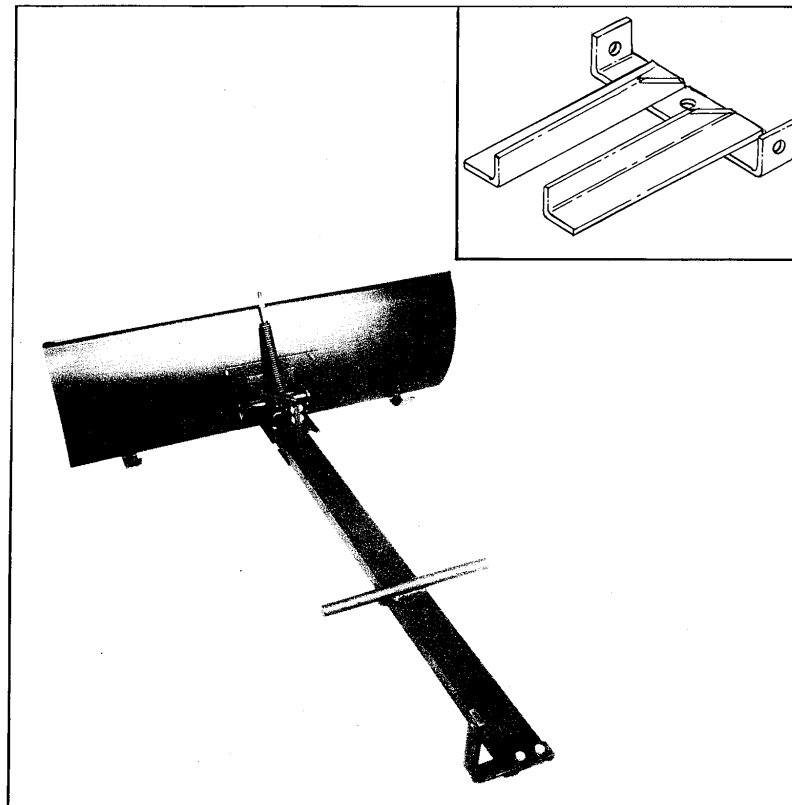


**owners
manual**

**Model No.
LC010AR**

CAUTION:
Read Rules for
Safe Operation
and Instructions
Carefully



42" SNOW BLADE

- Assembly
- Operation
- Maintenance
- Repair Parts

ROPER

OUTDOOR POWER PRODUCTS


DIVISION OF ROPER CORPORATION

PRINTED IN U.S.A.

FORM NO. 43762 10/88

RULES FOR SAFE OPERATIONS

Remember, any power equipment can cause injury if operated improperly or if the user does not understand how to operate the equipment.

Exercise caution at all times, when using power equipment. 

1. Read the Owners Manuals and know how to operate your lawn tractor, before using with the snow blade attachment.
2. Never operate lawn tractor and snow blade without wearing proper clothing suited to weather conditions and operation of controls.
3. Never allow children to operate lawn tractor and snow blade, and do not allow adults to operate without proper instructions.
4. Always begin with transmission in first (low) gear and engine at low speed, and gradually increase speed as required.

42" SNOW BLADE CARTON CONTENTS (Also see page 4)

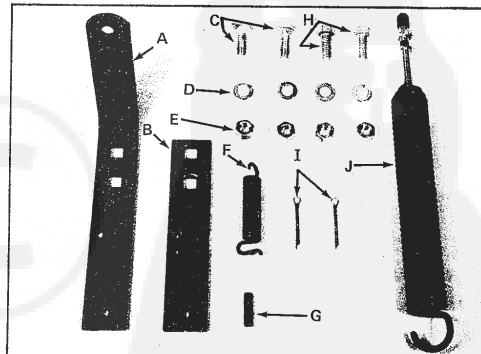
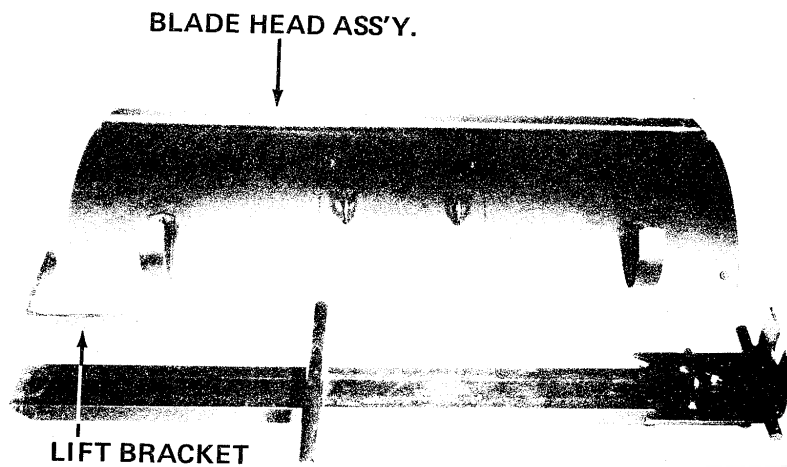


FIGURE 1

Key	Qty.	Description	Key	Qty.	Description
A	1	Angle Lock Bar (long)	F	1	Angle Lock Spring
B	1	Angle Lock Bar (short)	G	1	Roll Pin, 1/4" x 1.0"
C	2	Carriage Bolt, 3/8" x 1.0"	H	2	Hex Head Bolt, 3/8" x 1.0" (H.T.)
D	4	Lock Washer 3/8"	I	2	Cotter Pin, 1/8" x 1.0"
E	4	Hex Nut, 3/8" x 1.0"	J	1	Blade Adjust Spring Ass'y.

ASSEMBLY INSTRUCTIONS

TOOLS REQUIRED FOR ASSEMBLY

- (1) Pliers
- (1) Small Hammer
- (2) 1/2" open or boxed end wrench
- (2) 9/16" open or boxed end wrench

Before attempting to assemble the blade, layout the blade head assembly, channel assembly and all other parts, as shown in figure 1.

1. Assemble long angle lock bar (A), and short angle lock bar (B) together using two 3/8" x 1.0" carriage bolts (C), 3/8" lock washers (D) and 3/8" hex nuts (E), **Do Not Tighten**. See Figures 1 and 2.

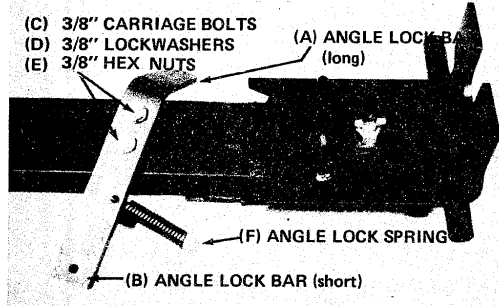


FIGURE 2

2. Assemble angle lock spring (F) through angle lock bars positioning end hook as shown. See Figures 1 and 2.
3. Assemble hook of angle lock spring into hole of bracket under pivot bolt. Pull lock bars up to extend spring just enough to allow assembly of angle lock bars down through slot in pivot bracket and channel. See Figures 2 and 3.

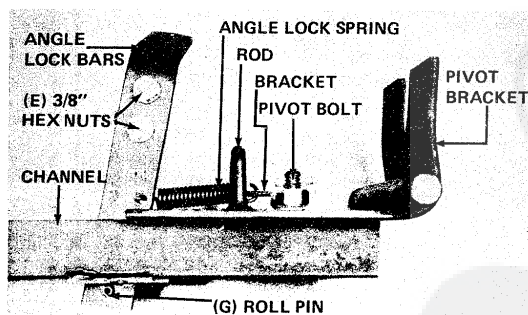


FIGURE 3

4. Assemble 1/4" x 1.0" roll pin (G) through slot in channel and hole in end of lock bars centering roll pin below channel. See figure 1 and 3.

5. Tighten the 3/8" hex nuts (E) holding the angle lock bars together. See Figure 3.
6. Assemble channel assembly to blade head assembly by sliding one end of bar into bracket and then sliding back and secure with two 1/8" x 1.0" cotter pins (I). See Figures 1 and 4.

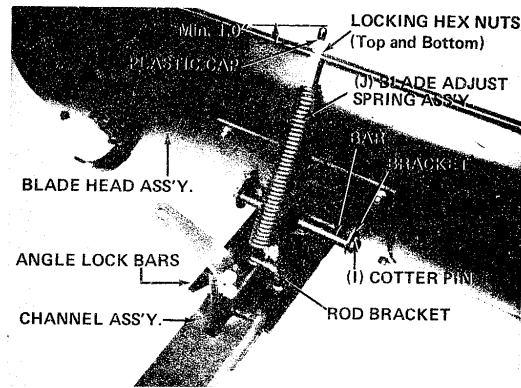


FIGURE 4

7. Assemble blade adjust spring (J) hook end in the middle of rod bracket located between pivot bolt and angle lock bars. Remove plastic cap and top hex nut and adjust bottom nut to approximately one inch or more down from end of adjusting bolt threads. Assemble adjusting bolt through hole in top of blade head and lock in position with top hex nut. Replace plastic cap over end of adjusting bolt threads. See Figures 1 and 4.

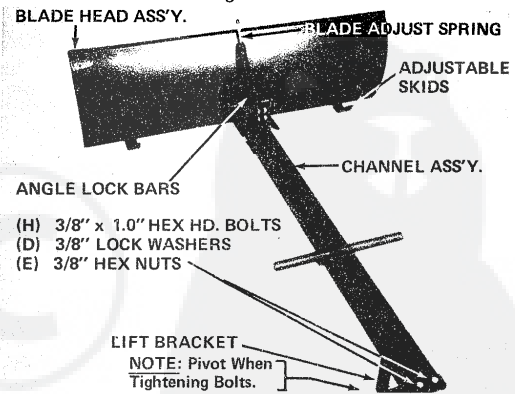
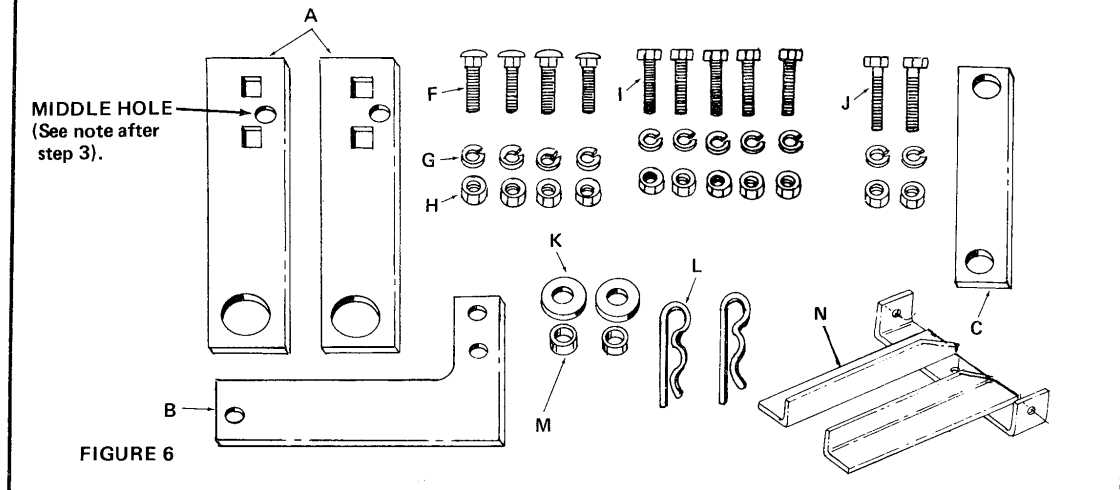


FIGURE 5

8. Assemble lift bracket to end of channel assembly using two 3/8" x 1.0" hex head bolts (H), 3/8" lock washers (D) and 3/8" hex nuts (E). Pivot lift bracket towards end of channel when tightening. See Figures 1 and 5.
9. Check all fasteners for tightness.

(continued next page)

42" SNOW BLADE CARTON CONTENTS (Also see page 2)



Key	Qty.	Description	Key	Qty.	Description
A	2	Mounting Bracket	I	5	Hex Head Bolt, 3/8-16 x 1.0"
B	1	Lift Arm	J	2	Hex Head Bolt, 3/8-16 x 1.25"
C	1	Lift Link	K	2	Flat Washer, 3/8"
F	4	Carriage Bolt, 3/8"-16 x 1.0"	L	2	Hair Pin Cotter, 5/32"
G	11	Lock Washer, 3/8"	M	2	Pivot Bushing
H	11	Hex Nut, 3/8-16	N	1	Guide Bracket Assembly

ASSEMBLY OF SNOW BLADE TO LAWN TRACTOR

1. Arrange carton contents as shown in Figure 6.
2. Remove cutting deck and belt from lawn tractor. Mark all loose parts and save for re-assembly. Refer to Lawn Tractor Owners Manual for cutting deck removal. See Figure 7.
3. Assemble mounting brackets (A) to each side of lawn tractor frame using three (*) 3/8" x 1.0" carriage bolts (F), 3/8" lock washers (G) and 3/8" hex nuts (H). See figure 8. Left hand side shown.

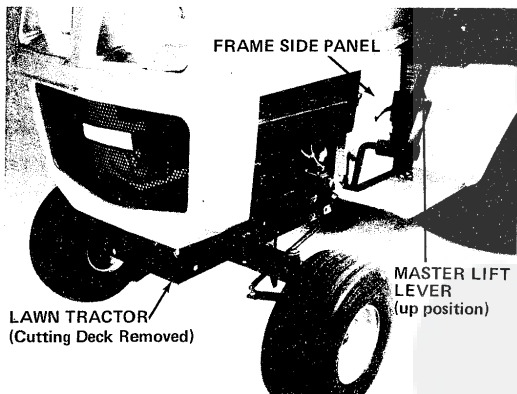


FIGURE 7

* NOTE

Remove hex bolt from right hand side of tractor frame and reassemble through middle hole in mounting bracket (A). See figure 6. Some old style tractors use four 3/8" x 1.00" carriage bolts (F) to complete assembly.

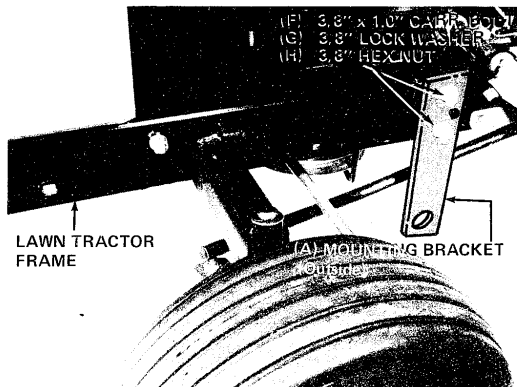


FIGURE 8

4. Assemble lift arm (B) to lift link (C) using one 3/8" x 1.25" hex head bolt (J), 3/8" flat washer (K), pivot bushing (M), 3/8" lock washer (G) and 3/8" hex nut (H) as shown in figure 9. See figures 6 and 9.

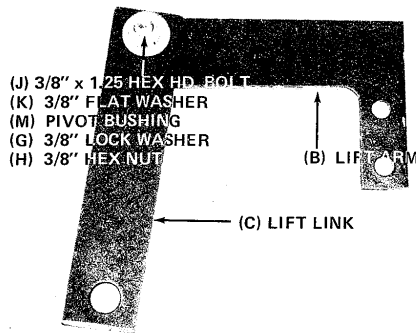


FIGURE 9

5. Remove master lift lever by loosening two set screws and then remove frame side panel. See figure 7 and 10.
NOTE: Position master lift lever in forward (down) position before removing.
6. Assemble lift arm and lift link, sub-assembled in step 4, to master lift bracket using two 3/8" x 1.0" hex head bolts (I), 3/8" lock washers (G) and 3/8" hex nuts (H) as shown in figure 10. See figures 6 and 10.

NOTE: Pivot lift arm assembly upward and hold when tightening. See figure 10. The lift arm (B) does not require removal to re-install cutting deck. The lift link (C) should be removed when re-installing cutting deck.

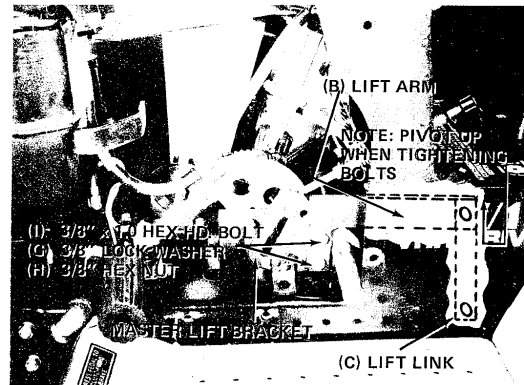


FIGURE 10

NOTE: When assembling lift arm and lift link sub-assembly, position the fuel line and battery drain tube (when equipped) to prevent pinching with movement of lift system.

7. Re-assemble frame side panel and master lift lever removed in step 5 and return master lift lever to the up (back) position as shown in figures 7 and 12.
8. Position snow blade assembly in front of lawn tractor and roll lawn tractor forward over the channel until the cross shaft is centered below mounting brackets (A). See figures 5 and 11.

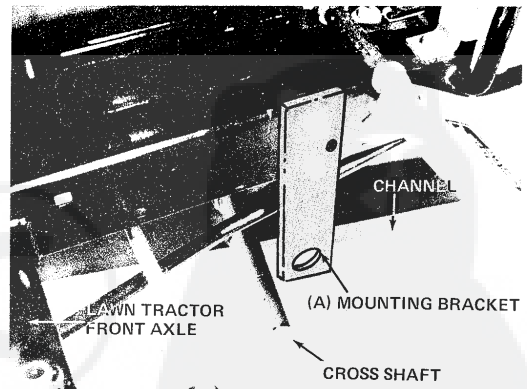


FIGURE 11

9. Assemble channel cross shaft to mounting brackets by tilting channel and sliding one end of cross shaft through hole and pulling opposite end back. Secure with two hair pin cotters (L). See figures 6, 11 and 12.

(continued on next page)

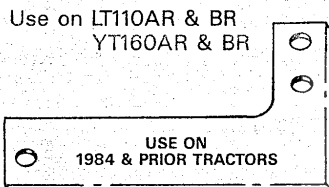
SUPPLEMENT SHEET

FORM No. 43970 (6/86)
DATE June 9, 1986
SUBJECT 42" Snow Blade
Attachment, Model No. LC010BR.
(insert between pages 4 and 5)

OWNERS MANUAL SUPPLEMENT 42" SNOW BLADE ATTACHMENT MODEL LC 010BR

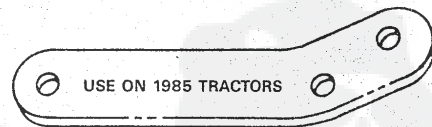
(Insert between pages 4 & 5)

There was a design change in lift shaft assembly on certain Roper models. Due to this change, it will be necessary to use a different lift arm assembly on Roper models LT110CR, YT160CR, YT140AR and YTH160AR. The new lift arm needed for the newer models is Part Number 23433. Older production models, LT110AR-BR and YT160AR-BR, will require lift arm, Part Number 23217. Both lift arms are included in the loose parts kit. (See illustration).



Part Number 23217

Use on LT110CR, YT140AR
YTH160AR & YT160CR



Part Number 23433

ROPER

OUTDOOR POWER PRODUCTS

DIVISION OF ROPER CORPORATION

PRINTED IN U.S.A.

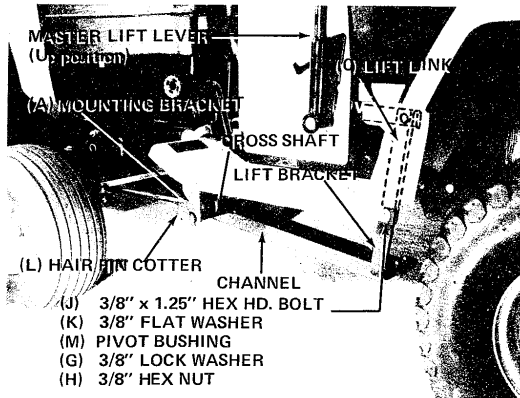


FIGURE 12

10. Connect lift link (C) to lift bracket at end of channel using one 3/8" x 1.25" hex head bolt (J) 3/8" flat washer (K), pivot bushing (M), 3/8" lock washer (G) and 3/8" hex nut (H) as shown in figure 12. See figures 6 and 12.

NOTE: Position master lift lever in down position or block blade in raised position to line up holes in lift link and lift bracket.

11. Adjust master lift lever movement with adjusting knob to prevent lever from locking in the down lock notch. See Figures 12 and 13.

NOTE: Do Not adjust movement anymore than necessary, so as to provide maximum movement operation without the master lift lever locking in the down position notch.

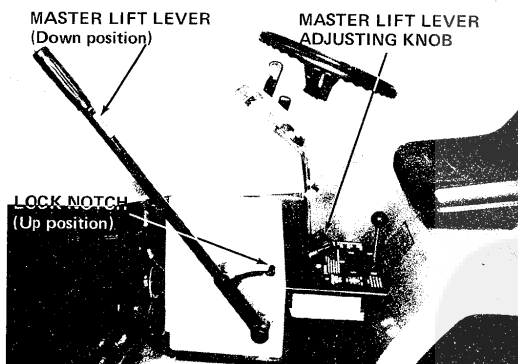


FIGURE 13

12. Assemble the guide mounting bracket assembly (N) to front of lawn tractor, using three hex bolts (I), lock washers (G) and hex nuts (H). See figure 6, and figure 14.

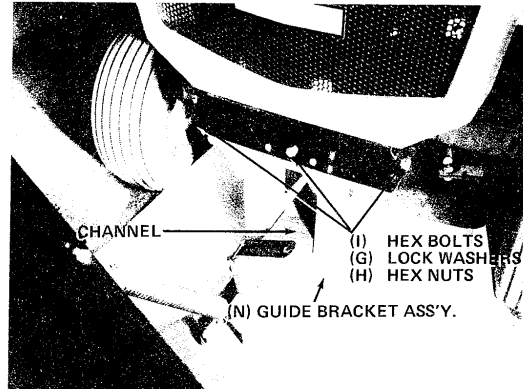


FIGURE 14



If blade channel binds with guide mounting bracket, loosen side mounting brackets assembled to frame in step 3 on page 4 and reighten.

13. Check all fasteners for tightness.

OPERATION INSTRUCTIONS and ADJUSTMENTS

The snow blade attachment is designed to move new loose snow in depths up to 6"-8". **DO NOT OPERATE** lawn tractor with snow blade before reading complete Owners Manual.



CAUTION
Hidden objects can cause sudden stops
or change in direction.

1. Prepare the lawn tractor engine for cold weather use, following instructions furnished with lawn tractor.
2. Always begin with transmission in first (low) gear and engine at slow speed and gradually increase speed as required.
3. To lift blade and lock for transport pull master lift lever back and lock in notch. See Figure 15.

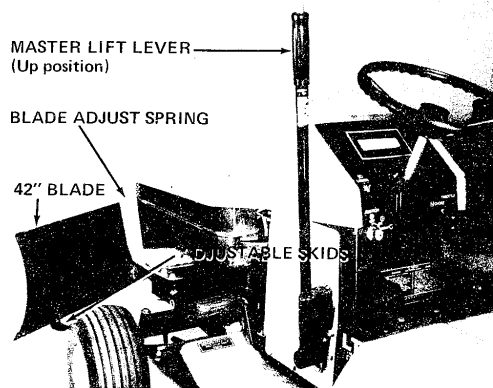


FIGURE 15

4. Blade angle can be adjusted to the right, center or left by pulling back on angle lock bars and pivoting the blade head. See Figure 16.

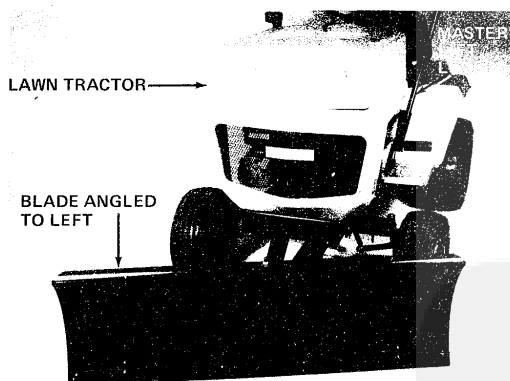


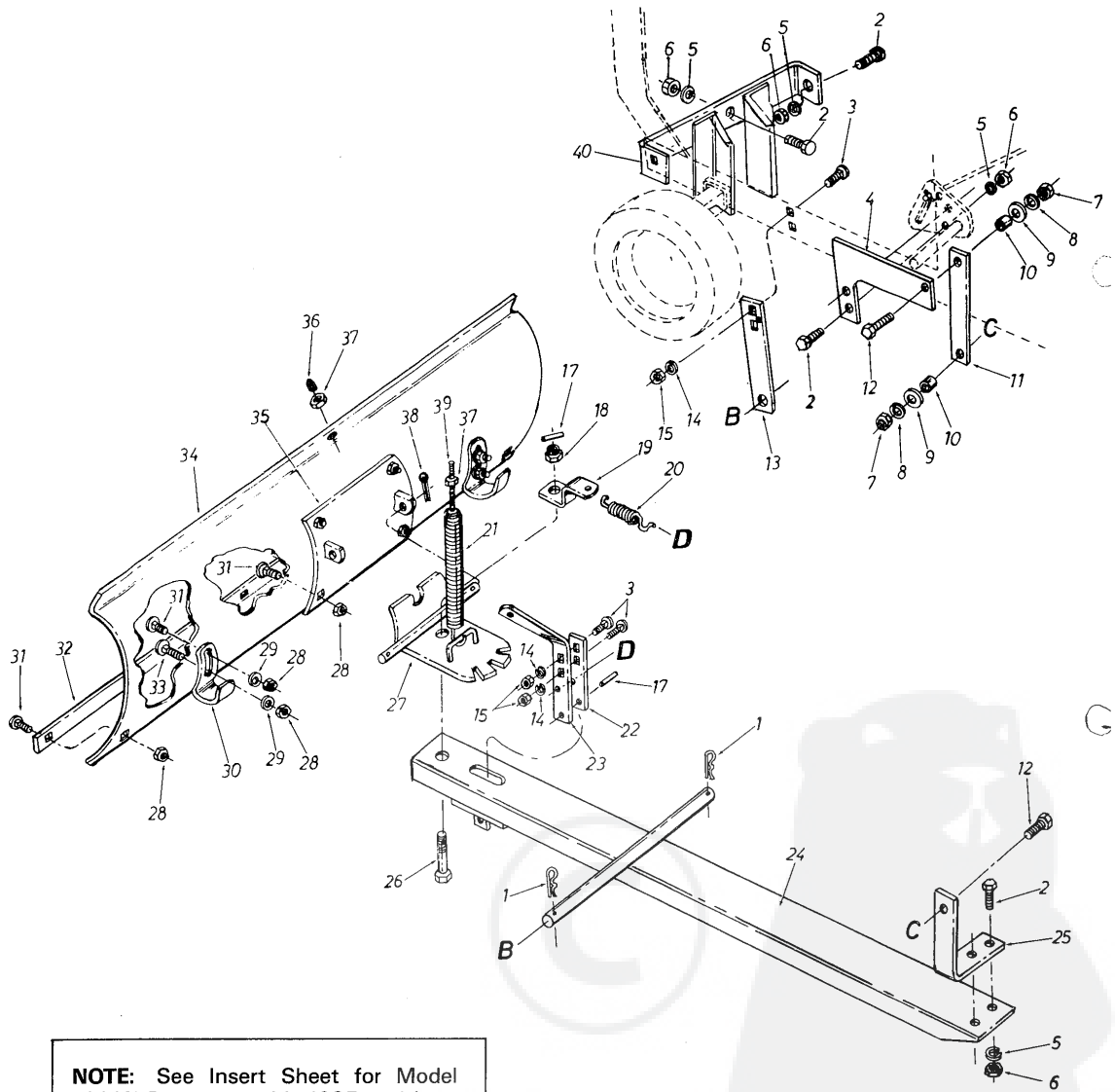
FIGURE 16

5. Blade adjust spring tension is adjustable to permit blade to tilt forward to by pass solid obstructions.
6. Skid shoes may be adjusted by loosening two nuts and re-positioning to desired height. See Figure 15.
7. **DO NOT** always push snow in the same direction causing excessive build up with each successive pass.
8. If blade is stored in heated area, allow lawn tractor and blade to adjust to outdoor temperature before operating to reduce snow build up and icing on the metal surfaces.

MAINTENANCE

1. Check bolts and nuts for looseness occasionally and re-tighten if necessary.
2. Keep pivot points oiled to prevent locking from rust.
3. Keep front side of blade head clean and waxed for most efficient operation.
4. When removing blade for storage make sure to secure all loose parts and hardware to prevent loss.

42" Snow Blade Model No. LC010AR



REPAIR PARTS FOR 42" SNOW BLADE, MODEL LC010AR

Ref. No.	PART No.	Qty	DESCRIPTION	Ref. No.	PART No.	Qty	DESCRIPTION
1	43343	2	Hair Pin Cotter, 5/32"	22	23151	1	Bar, Angle Lock (short)
2	43001	7	Bolt, Hex 3/8-16 x 1.0" lg. (H.T.)	23	23129	1	Bar, Angle Lock (long)
3	43350	6	Bolt, Carriage 3/8-16 x 1.0" lg.	24	62285	1	Channel Assembly
4	23217	1	Arm, Lift	25	23414	1	Bracket, Lift
5	43003	7	Lock Washer, Spring 3/8"	26	23131	1	Bolt, Hex (Special) Pivot (H.T.)
6	43015	7	Nut, Hex 3/8-16 Thread	27	62143	1	Pivot Plate Assembly
7	43015	2	Nut, Hex 3/8-16 Thread	28	43064	10	Nut, Hex Lock 5/16-18 Thd.
8	43003	2	Lock Washer, Spring 3/8"	29	43081	4	Washer, Flat 5/16"
9	43070	2	Washer, Flat 3/8"	30	23070	2	Shoe, Skid
10	23137	2	Pivot Bushing	31	43080	8	Bolt, Carriage 5/16-18 x .75" lg.
11	23216	1	Link, Lift	32	23117	1	Wear Strip - .42"
12	43087	2	Bolt, Hex 3/8-16 x 1.25" lg.	33	43079	2	Bolt, Carriage 5/16-18 x 1.0" lg.
13	23318	2	Plate, Mount	34	23118	1	Blade Head, 42"
14	43003	6	Lock Washer, Spring 3/8"	35	62142	1	Plate, Reinforcement Assembly
15	43015	6	Nut, Hex 3/8-16 Thread	36	43331	1	Cap, Plastic
17	43349	2	Roll Pin, 1/4" x 1.0" lg.	37	43083	2	Nut, Hex, 5/16-18 Thread
18	43262	1	Nut, Hex Lock 1/2-13 Thread	38	43010	2	Cotter Pin, 1/8" x 1.0" lg.
19	23130	1	Bracket, Spring Mount	39	43264	1	Bolt, Hex 5/16-18 x 3.0" lg. (Full Thread)
20	43348	1	Spring, Angle Lock	40	62334	1	Guide Bracket Assembly
21	43263	1	Spring, Blade Adjust	---	43762	---	Owners Manual

FULL SIZE SCALE IN INCHES FOR REFERENCE:

