

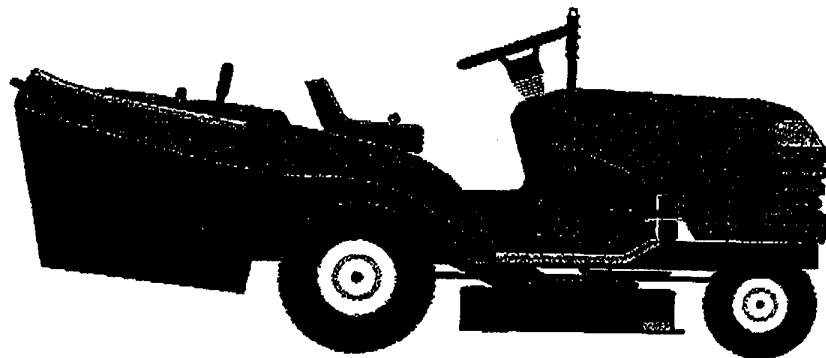
MAY. 13. 2008 10:45AM

NO. 520 P. 1

TO: ERIK PEDERSEN

CRAFTSMAN®

25724

**Instruction manual**

Please read these instructions carefully and make sure you understand them before using this machine.

Anleitungshandbuch

Bitte lesen Sie diese Anleitungen sorgfältig durch und vergewissern Sie sich, daß Sie diese verstehen, bevor Sie die Maschine in Betrieb nehmen.

Manuel d'instructions

Merci de lire très attentivement le manuel d'instructions. Assurez-vous d'avoir tout compris avant d'utiliser ce tracteur.

Manual de las instrucciones

Por favor lea cuidadosamente y comprenda estas instrucciones antes de usar esta máquina.

Manuale di istruzioni

Prima di utilizzare la macchina leggete queste istruzioni con attenzione ed accertatevi di averle comprese bene.

Instructieboekje

Lees deze instructies aandachtig en zorg dat u ze begrijpt voordat u deze machine gebruikt.

①

Key MAY. 13. 2008 10:45AM Action

NO. 520 P. 2

(NI) 138311	DECAL LIFT HANDLE
(NI) 179769X428	FOOTREST PAD RH
(NI) 181857	MANDREL ASSEMBLY (INCLUDES HOUSING, SHAFT ASSEMBLY, AND BEARING ONLY - PULLEY/N
(NI) 181858	MANDREL ASSEMBLY CRD LH THREADS VC
(NI) 413006	MANUAL OPERATOR'S (BALTIC)
(NI) 413005	MANUAL OPERATOR'S (E-BLOC)
(NI) 413003	MANUAL OPERATOR'S (EURO)
(NI) 413004	MANUAL OPERATOR'S (SCAN)
(NI) 419730	MANUAL PARTS
(NI) 179768X428	PAD FOOTREST LH
(NI) 5479J	PLUG, BUTTON
(NI) 400325	REPLACEMENT MOWER COMPLETE
(NI) 144334	SEALANT, TIRE (10 OZ. TUBE)
1 163465	BATTERY
1 59192	CAP VALVE TIRE
1 174620	CHASSIS ASSEMBLY
1 170545	CONTROL THROTTLE
1 400389	DECAL READ OWNER'S MANUAL SYM
1 169160	HOUSING ASSEMBLY MOWER
1 188939	SEAT
1 186093X428	STEERING WHEEL
1 N/P	TRANSAXLE HYDRO GEAR 321-0510 (ORDER PARTS FROM TRANSAXLE MANUFACTURER)
1 165249	TUBE HANDLE BAGGER CRD
1 159460	WIRE ASSEMBLY INNER SPRING W/PLUNGER
2 74760412	BOLT HEX HD 1/4-20 UNC X 3/4
2 72140506	BOLT RDHD SQNK 5/16-18 UNC X 3/4
2 140551	BRACKET PNT PIVOT SEAT (BLK)
2 418178	DECAL HP ENGINE
2 180384	DRAWBAR
2 184706	FRONT AXLE ASSEMBLY
2 17720408	SCREW HEX THD CUT 1/4-20 X 1/2
2 159471	SHAFT ASSEMBLY LIFT
2 65139	STEM VALVE
3 71110616	BOLT FIN HEX 3/8-16 UNC X 1
3 165569	BRACKET ASSEMBLY S-BAR CHASS
3 411697	DECAL HOOD/RH FENDER/LH
3 N/P	ENGINE BRIGGS MODEL 31P977-1094-B1
3 123976X	NUT LOCK 1/4 LGE FLG GR. 5 ZINC
3 105767X	PIN GROOVE
3 17060612	SCREW 3/8-16 X .75
3 169840	SPINDLE ASSEMBLY, LH
3 106222X	TIRE F TS 15 X 6.0 - 6 SERVICE
4 169167	BRACKET BAR SWAY DECK
4 164065	DECAL STEERING WHEEL
4 12000002	E RING #5133-62
4 169916	HANDLE BAGGER
4 137352	MUFFLER EXHAUST B&S LT
4 169839	SPINDLE ASSEMBLY, RH
4 58904	TUBE INNER FRONT #35060
4 19131610	WASHER FLAT 13/32 X 1 X 10 GA.
5 6266H	BEARING, RACE, THRUST, HARDENED
5 155272	BUMPER HOOD/DASH
5 145006	CLIP PUSH IN HINGED
5 404492	DECAL HOOD SIDE
5 4939M	RETAINER SPRING
5 106732X645	RIM ASSEMBLY 6" FRONT SERVICE
5 74981024	SCREW PAN HEAD #10-24 X 1.50 BLK
5 19211621	WASHER 21/32 X 1 X 21 GA.
6 165557	BAR SWAY

MAY. 13. 2008 10:45AM

NO. 520 P. 3

Key Part #	Description
6 120183X	BEARING NYLONG
6 180432	DECAL 100 DB/CE
6 278H	FITTING GREASE
6 STD541437	NUT LOCK HEX 3/8-16 UNC
6 184419	SADDLE
6 74981032	SCREW PAN HD
6 121748X	WASHER 25/32 X 1-5/8 X 16 GA.
7 9040H	BEARING FLANGE
7 186960	DECAL BYPASS FENDER
7 125631X	GRIP HANDLE
7 73401000	NUT WIZ LOCK HEX SERR/HD 10-24
7 124181X	SPRING SEAT CPRSN 2 250 BLK ZI
8 181712	BOLT 3/8-24 X 1.25 GR. 8 PATCHED
8 124526	BUTTON PLUNGER
8 126471X	CLIP INSULATOR 13/32 MTG. HOLE
8 169963X613	COVER BAGGER STEEL CRD
8 196842	DECAL ENGINE WARNING SYM
8 106108X645	RIM ASSEMBLY 8" REAR SERVICE
8 12000029	RING, KLIP
8 192706	ROD, SHIFT
8 17000616	SCREW 3/8-16 X 1
9 72140418	BOLT CARRIAGE 1/4-20 X 2.25D X GR. 5
9 408579	CLUTCH ASSEMBLY NORAM
9 193518X012	DASH SLKSCR
9 138648	TIRE R TS 20 X 8-8 SERVICE
9 19131614	WASHER 13/32 X 1 X 14 GA.
9 10030600	WASHER LOCK HVY 3/8 UNPLATED
10 STD533710	BOLT, CARRIAGE 3/8-16 X 1
10 145005	DECAL BAT DAN/POI P/L SYM WPN
10 175121	LINK, DRAG
10 195530	PAN PNT SEAT
10 78020416	PIN, COTTER 1/8 X 1
10 7152J	TUBE REAR 9.5 X 8 SERVICE
10 181282	TUBE SUPPORT BAGGER CRD
11 180583	BLADE 3-1 LH
11 165719	BRACKET SUPPORT UPPER BAG CRD
11 104757X645	CAP AXLE BLK 1 50 X 1 00
11 182166	DECAL MOWER CUT FINGER SYMBOL
11 166369	KMOB SEAT ADJ WINGNUT
11 165829	LINK ASSEMBLY LIFT LH
11 174996	PANEL, DASH, LH
11 STD551137	WASHER, LOCK
12 188848	BRACKET PIVOT BAGGER LH CRD
12 174648	BRACKET PNT MOUNTING SWITCH
12 159737	DECAL BRAKE/CLUTCH SYMBOL LT
12 165831	LINK ASSEMBLY LIFT RH
13 74760612	BOLT FIN HEX 3/8-16 UNC X 3/4
13 121248X	BUSHING SNAP BLK NYL 50 ID
13 196842	DECAL SADDLE SHIFT SYM. CUTFINGER
13 165291	GASKET 1 313 ID TIN PLATED
13 172105X010	PANEL, ASSEMBLY DASH RH
13 4939M	RETAINER SPRING
13 137645	SHAFT ASSEMBLY W/LOWER BEARING
13 136518	SPACER AXLE
14 74520636	BOLT FIN HEX 3/8-16 X 2-1/4 GR. 5
14 72050412	BOLT RDHD SHT NK 1/4-20 X 1-1/2
14 159736	DECAL CHASSIS HOT MUFFLER
14 128774	HOUSING MANDREL VENTED (MACHD)
14 148456	TUBE DRAIN OIL EASY

Key MAY. 13. 2008 10:45AMtion

NO. 520 P. 4

14	10040400	WASHER, LOCK HVY HELICAL
15	110485	BEARING BALL MANDREL
15	74490544	BOLT HEX FGHD 5/16-18 X GR. 5
15	173288	LINK FRONT
15	145212	NUT, HEXFLANGE LOCK
15	4939M	RETAINER SPRING
15	74180512	SCREW, MACHINE, TRUSS HEAD 5/16-18 UNC X 3/4
15	134300	SPACER SPLIT .28 X .96 ZINC
16	180584	BLADE 3-1 RH
16	73350800	NUT JAM HEX 1/2-13 UNC
16	STD541431	NUT KEPS 5/16-18 UNC
16	73900600	NUT LOCK FLG 3/8-16 UNC
16	73800500	NUT LOCK HEX W/INS 5/16-18 UNC
16	121250X	SPRING CPRSN
16	176138	SWITCH INTERLOCK PUSH-IN
17	STD533107	BOLT RDHD SHT SQNK 5/16-18 UNC X 3/4
17	140837	DECAL SADDLE BRAKE PARKING
17	185682X613	HOOD ASSEMBLY
17	123976X	NUT LOCK 1/4 LGE FLG GR. 5 ZINC
17	190753	SHAFT ASSEMBLY, STEERING
17	175689	TRUNNION BLK ZINC
18	72110606	BOLT RDHD SQNK 3/8-16 X 3/4 GR. 5
18	184921	BUMPER HOOD
18	73800800	NUT LOCK W/WSH 1/2-13 UNC
19	139868	ARM SUSPENSION MOWER
19	132827	BOLT SHOULDER 5/16-18 THD FORM
19	73900500	NUT LOCK HEX FLANGE 5/16-18
19	73800600	NUT LOCK HEX W/INS 3/8-16 UNC
20	181713	BOLT 3/8-24 X 1.25 GR. 8 PTCH LHTHD
20	188847	BRACKET BAGGER RH CRD
20	194209	PIN COTTER BOW TIE LOCK
21	406180	BAG ASSEMBLY CRD
21	171852	BOLT SHOULDER 5/16-18 UNC-2A
21	166286	DECAL DECK SCH 92 CRD
21	183759	HARNES ASSEMBLY LIGHT W/4152J
21	140845	KNOB
21	73680500	NUT CROWN LOCK 5/16-18
22	169165	BRACKET IDLER SPRT RR
22	165781	BRACKET SIDE BAGGER CRD
22	4152J	BULB LIGHT #1156
22	STD541431	NUT HEX LOCK W/INS 5/16-18
22	175607	ROD, BRAKE
23	169166	BRACKET IDLER SPRT RF
23	404235	DECAL PANEL DASH
23	169837	SHIELD BROWNING/DEBRIS GUARD
24	STD523710	BOLT FIN HEX 3/8-16 UNC X 1. GR. 5
24	413436	BRACKET SUSPENSION LH
24	4799J	CABLE STARTER 6 GA. 11" RED
24	73350600	NUT
24	165783	TUBE PIVOT BAGGER CRD
24	19171912	WASHER 17/32 X 1-3/16 X 12 GA.
25	127018X	BOLT SHOULDER 5/16-18 X .62
25	400105	BRACKET SUSPENSION RF
25	165987	CABLE BATTERY CRD 56" RED
25	187770X428	CONTROL CHOKE
25	192036	SPRING, ROD, BRAKE
25	193705	TUBE FRONT BAGGER CRD
25	19131312	WASHER 13/32 X 13/16 X 12 GA.
26	400110	BRACE SUPPORT SUSP FRT CRD

MAY. 13. 2008 10:46AM

NO. 520 P. 5

Key	Part	Description
26	175158	FUSE
26	STD541437	NUT LOCK HEX W/INS 3/8-16 UNC
27	169172	BRACKET ASSEMBLY SUSP RR
27	STD541425	NUT KEPS HEX 1/4-20 UNC
27	76020412	PIN, COTTER 1/8 X 3/4
28	169168	BRACKET ASSEMBLY SUSP LR
28	127725X	CABLE GROUND 6 GA. 18" BLACK
28	193258	GRILLE/LENS ASSEMBLY (INCLUDES KEY #S 29 AND 212)
28	165787	GRIP HANDLE BLACK
28	175765	ROD, PARKING BRAKE
29	137180	ARRESTOR SPARK
29	071673	CAP, PARKING BRAKE
29	174332X599	LENS, GRILLE
29	17000612	SCREW, 3/8-16 X 3/4 SMGML TAP/R
29	192749	SWITCH SEAT
30	169592	BRACKET, MFG. TRANSAXLE
30	192533X613	FENDER
30	173984	SCREW THD ROLLING DOD. PT HEX
30	193350	SWITCH IGNITION
31	169865	BEARING, PVT. LIFT.
31	165156	BRACKET, FENDER SUPPORT
31	169484	RETAINER CLIP
31	407551	TANK FUEL
31	187690	WASHER SPACER MOWER VENTED
32	197725	CAP ASSEMBLY FUEL
32	198145	MANDREL PULLEYS
32	73540600	NUT CROWNLOCK 3/8-24
32	126875X	RIVET RD HD DRILLED 3/8 DIA
32	170162	ROD, TIE
33	123487X	CLAMP HOSE BLK
33	179716X613	FOOTREST, LH
33	411934	KEY/CHAIN
33	400234	NUT FLG TOP LOCK
33	169380	PLUG MULCHER
33	19111216	WASHER 11/32 X 3/4 X 16 GA.
34	400103	BRACKET GAUGE WHEEL LF
34	179717X613	FOOTREST, RH
34	166570	HANDLE MULCHER
34	175578	SHAFT, ASSEMBLY PEDAL FOOT CRD
34	110712X	SWITCH LIGHT
34	STD551131	WASHER LOCK HVY HLCL SPR 5/16
35	120183X	BEARING, NYLON
35	STD533107	BOLT RDHD SHT SQNK 3/8-16 X 3/4
35	400104	BRACKET GAUGE WHEEL RF
35	73540500	NUT CROWNLOCK 5/16-24 UNF
35	165572	PIN MULCHER
36	155099	BUSHING, STEERING
36	146763	PULLEY IDLER V-GROOVE DIM 4.25
36	19132012	WASHER 13/32 X 1-1/4 X 12 GA.
36	19211616	WASHER 21/32 X 1 X 16 GA.
37	137040	LINE FUEL 20"
37	1572H	PIN, ROLL 3/16 X 1"
37	175401	PLUG SUPPORT BAGGER CRD
37	17490508	SCREW THDROL 5/16-18 X 1/2 TYT
37	152927	SCREW TT #10-32 X 5 X 3/8 FLANGE
38	72010520	BOLT 5/16-18 X 5.20
38	186095X428	CAP WHEEL STEERING
38	181748	PIVOT BRACKET ASSEMBLY
38	181654	PLUG OIL DRAIN EASY

Key	Part No.	Description
	MAY. 13. 2008 10:46AM	
		NO. 520 P. 6
38	165936	PULLEY FLAT COMPOSITE 3.06"
38	169851	SPACER HUB ARM IDLER
39	74760644	BOLT FIN HEX 3/8-16 UNC X 2-3/4
39	72110622	BOLT RDHD 3/8-16 UNC X 2-3/4 GR. 5
39	407807	BRACKET PIVOT
39	416257	SEAL BAGGER
39	19113812	WASHER 11/32 ID X 2-3/8 OD X 12 GA.
40	197436	HARNESS IGN
40	73680600	NUT CROWNLOCK 3/8-16 UNC
40	73540600	NUT CROWNLOCK 3/8-24
40	4470J	SPACER, SPLIT 395 X 59 BZP
41	186737	ADAPTOR, STEERING WHEEL
41	71110408	BOLT FLK FIN HEX 1/4-20 UNC X 1/2
41	169683	BRACKET VERT ADJ BAGGER CRD
41	73900600	NUT FLANGELOCK 3/8-16 UNC
42	145054X428	BOOT, STEERING DASH
42	131563	COVER TERMINAL RED
42	19131312	WASHER 13/32 X 13/16 X 12 GA.
43	174083	PLUG TUBING END
43	192507	SOLENOID
43	19111012	WASHER 11/32 X 5/8 X 12 GA.
43	121749X	WASHER 25/32 X 1-1/4 X 16 GA.
44	175538	COVER MANDREL LH
44	190752	EXTENSION STEERING NON-ADJUST
44	17670412	SCREW HEXWSH THDR 1/4-20 X 3/4
45	175539	COVER MANDREL RH
45	17000612	SCREW HEXWSH THDR 3/8-16 X 3/4
46	72110510	BOLT CARR 5/16-18 X 1-1/4 GR. 5
46	184946X505	CAP, SPINDLE
46	137729	SCREW THD ROLL 1/4-20 X 5/8
46	19091416	WASHER 9/32 X 7/8 X 16 GA.
47	127783	PULLEY, IDLER, V GROOVE PLASTIC
47	193704	TUBE UPPER
48	140844	ADAPTER AMMETER
48	154407	BELLCRANK CLUTCH GRND DRV
49	193305	BAR SPREADER
49	123205X	RETAINER, BELT STYLE SPRING
50	72110612	BOLT 3/8-16 X 1-1/2 GR. 5
50	73800500	NUT LOCK HX W/INS 5/8-18 UNC
51	199903	LATCH SPRING
51	73680600	NUT, CROWNLOCK 3/8-16 UNC
52	73680500	NUT CROWNLOCK 5/16-18
53	199652	LINK, CLUTCH 7.66
53	73510400	NUT KEPS HEX 1/4-20 UNC
54	72140406	BOLT RDHD SQNK 1/4-20 X 3/4 GR. 5
55	169849	ARM IDLER
55	105709X	SPRING, RETURN, CLUTCH
56	17060620	SCREW 3/8-16 X 1-1/4
57	170140	V-BELT KEV 112" 0650 CRD
58	169419	BUZZER CRD
59	180379	SWITCH FBI CRD
61	199487	SPRING TENSION
62	8883R	COVER, PEDAL
65	414736	SPACER BRACE AXLE
65	10040700	WASHER
66	154778	KEEPER, BELT ENGINE F-PROOF
66	17490608	SCREW THDR 3/8-16 X 1/2 TY-TT
67	72110618	BOLT RDHD SQ 3/8-16 X 2-1/4
67	106932X	KNOB

MAY. 13. 2008 10:46AM

NO. 520

P. 7

Key Part #	Description
68 169827	BRACE AXLE
68 402009	HEX-BELT MOWER
69 142432	SCREW HEX 1/4-1/2 UNC
69 165482	SHAFT ASSEMBLY W/LWR BRG RH THD CRD
71 175146	STEERING ASSEMBLY
71 169183	STRAP, TORQUE, LH
72 192334	SCREW SOCKET 5/16-18 X 3/4
73 169182	STRAP, TORQUE, RH
74 137057	SPACER, SPLIT
75 121749X	WASHER 25/32 X 1-1/4 X 16 GA.
76 12000001	RING, E
77 123583X	KEY, SQUARE
78 17060620	SCREW 3/8-16 X 1-1/4
78 121748X	WASHER 25/32 X 1-5/8 X 16 GA.
79 175242	SOCKET ASSEMBLY BULB TWISTLOCK
81 170006	ASSEMBLY, SHAFT, CROSS REAR
81 STD541425	NUT KEPS 1/4-20 UNC
81 109748X	RELAY ASSEMBLY
82 199978	BRACKET SUSP CHASSIS FRONT
82 165711	SPRING, TORSION
83 19171216	WASHER 17/32 X 3/4 X 16 GA.
84 156085	KEEPER BELT IDLER
84 170007	LINK, TRANSAXLE
87 173966	WASHER FLAT .781 X 1-1/2 X .14
88 175118	BOLT SHOULDER
89 192391X428	CONSOLE
91 175553	CLIP STEERING
92 196615	HARNES PIGTAIL
93 192450	SCREW 10-14 X 2.0
94 191834	MODULE REVERSE
95 170015	CONTROL ASSEMBLY BYPASS HYDRO
95 188967	WASHER HARDEN .739 X 1.637 X 060
96 4497H	SPRING, RETAINER 1"
97 74780564	BOLT 5/16-18 UNC X 4" L GR. 5
112 19091210	WASHER 9/32 X 3/4 X 10 GA.
116 193406	BOLT SHOULDER
117 174873	WHEEL GAGE
119 19132012	WASHER 13/32 X 1-1/4 X 12
120 73900600	NUT LOCK FLG. 3/8-16 UNC
124 72110612	BOLT CARR SH 3/8-16 X 1-1/2 GR. 5
130 72110506	BOLT RDHDSQNK 5/16-18 UNC X 3/4
131 165661	CHUTE BAGGER CRD 92CM
145 409167	ROD PIVOT CHASSIS/HOOD
150 165650	BUSHING, BELLCRANK GRND DR.
151 19133210	WASHER 13/32 X 2 X 10 GA.
152 176074	CABLE CLUTCH
156 166002	WASHER SRRTED 5/16 ID X 1.125
158 165589	BRACKET SHIFT MOUNT
158 17720408	SCREW 1/4-20 X 1/2
159 183900	HUB SHIFT
161 180424	BLADE CROSS LH 107
161 72140406	BOLT RDHD SQNK 1/4-20 X 3/4 GR. 5
162 180878	ADAPTER WELDMENT BLADE 107
162 180382	BRACKET EXTEN CHASSIS LH CRD
162 73680400	NUT CROWNLOCK 1/4-20 UNC
163 180425	BLADE CROSS RH 107
163 74780416	BOLT HEX FIN 1/4-20 UNC X 1 GR. 5
163 180383	BRACKET EXTEN CHASSIS RH CRD
164 3366R	BEARING

Key MAY. 13. 2008_10:47AM Option

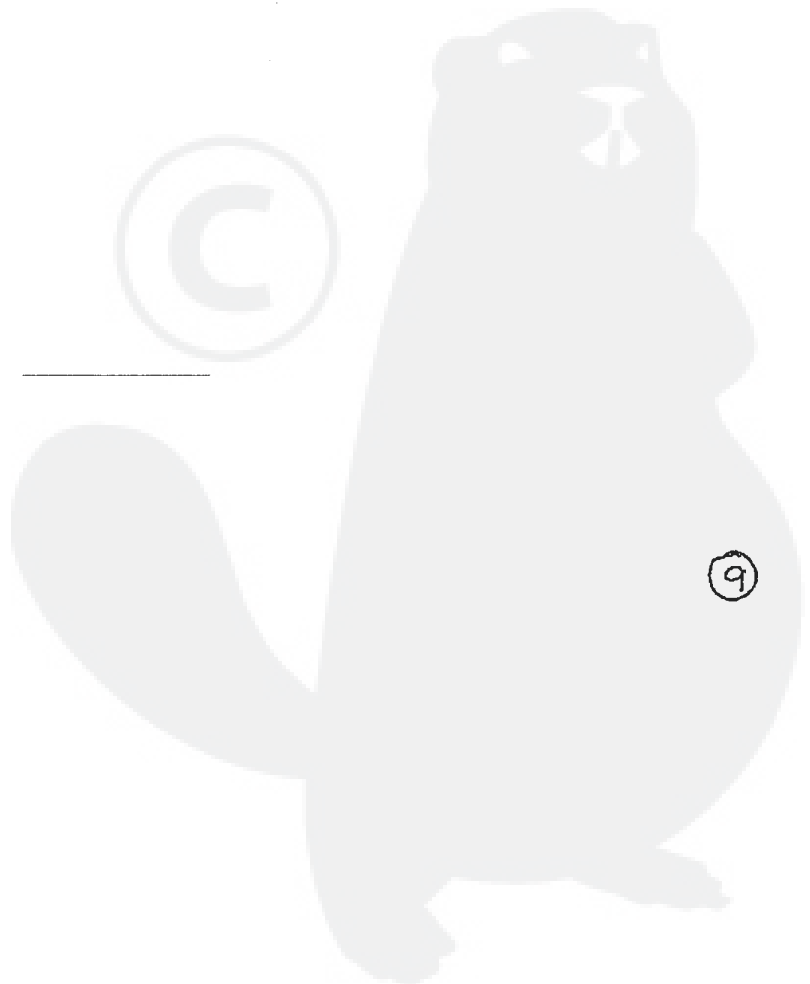
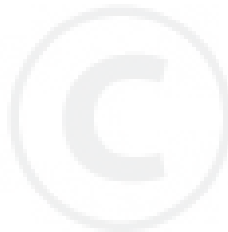
NO. 520 P. 8

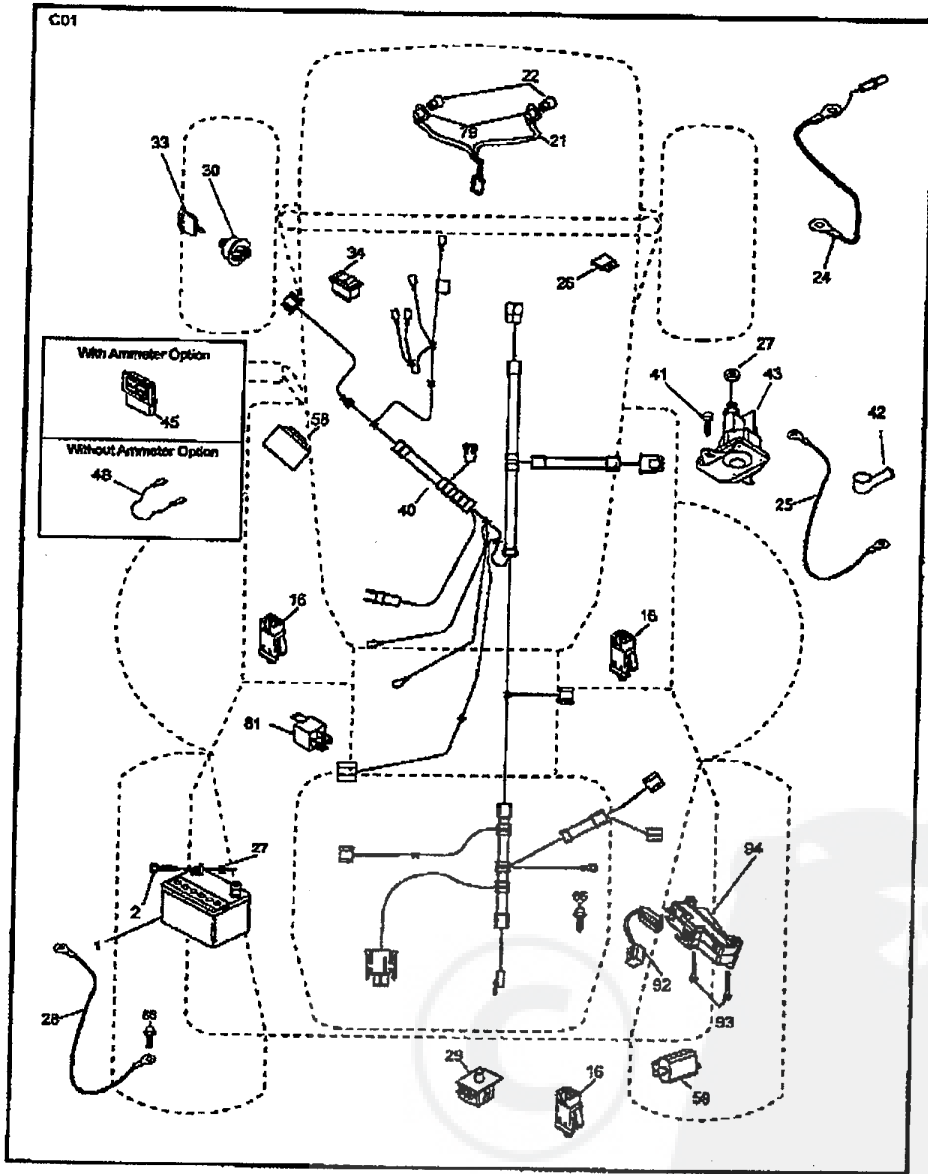
164 165605	SUPPORT BATTERY CRD
165 165623	BRACKET PIVOT LEVER
165 179020X428	COVER BATTERY CRD LT
166 17490510	SCREW 5/16-18 X 5/8
167 165588	BRACKET SUPPORT SHIFT CRD
168 165492	BOLT SHOULDER 5/16-18 X .561
169 165580	PLATE FASTENING LT
170 199488	BACKPLATE ASSEMBLY CRD
171 72140620	BOLT RDHD SQNK 3/8-16 X 2-1/2
171 17490608	SCREW THDROL 3/8-16 X 1/2 TY-TT
172 170271	SHAFT ASSEMBLY SHIFTER FRT CRD
172 19132016	WASHER 13/32 X 1-1/4 X 16 GA.
173 STD541437	NUT, KEPS HEX 3/8-16 UNC
175 188203	DOOR TRAP
177 165932	KEEPER FLAT IDLER 3.06" CRD
179 188202	ROD PIVOT FBI CRD
181 180211	BRACKET IDLER GROUND DRIVE CRD
182 182682	KEEPER BELT 2.5" OD V-IDLER CRD
183 199532	PULLEY V-IDLER 2.50" OD CRD
184 174662	BRACKET ACTUATOR BAGGER CRD
185 188234	HEAD ASSEMBLY CABLE CLUTCH
185 179608X505	NOB ROD BRAKE PARKING
185 170008	LINK SHIFT
186 165614	HUB TAPERED ROUND CRD
186 160793	LATCH ASSEMBLY MULCH/BAGGER
187 2029J	NUT WELD .327/.304 #10-24
187 17580520	SCREW THDROL 5/16-18 X 1.25
188 19061216	WASHER #10
189 STD551110	WASHER LOCK #10
190 71081010	SCREW PAN HD PHILLIPS 10-24
197 169613	NYLINER SNAP-IN 5/8
198 168937	NUT, PUSH
199 196912	BOLT SHOULDER 5/16-18 UNC
200 72140508	BOLT RDHD SQNK 5/16-18 X 1
203 71170780	BOLT HEX 7/16-20 X 5
205 17490608	SCREW THDROL 5/8-16 X 1/2
207 17670508	SCREW THDROL 5/16-18 X 1/2
207 169845	WASHER NYLON REAR
208 17670608	SCREW THDROL 3/8-16 X 1/2 TYT
209 17000612	SCREW HEX WSH THDROL 3/8-16
212 175143	INSERT LENS REFLECTIVE
214 175609	SHAFT ASSEMBLY BRAKE
215 175652	ROD BRAKE HYDRO
252 19131616	WASHER 13/32 X 1 X 16 GA.
253 175028	BRACKET CABLE CHASSIS
254 17000616	SCREW 3/8-16 X 1
255 175608	BRACE SHAFT BRAKE MTG.
256 180810X428	COVER FENDER RACK
258 178062	CLIP RETAINER
259 180212	BRACKET PULLEY
261 131494	PULLEY IDLER
262 72110622	BOLT 3/8-16 X 2-3/4 GR. 5
263 17000612	SCREW 3/8-16 X 3/4
264 197608	BRACKET CLUTCH MOUNTING
265 185704	SEAL SIDE RH
265 404607	SPACER IDLER CHASSIS
266 185703	SEAL SIDE LH
266 182061	SHIELD IDLER MOWER
268 182402	GUARD MUFFLER

Key MAY. 13. 2008 10:47AMption

NO. 520 P. 9

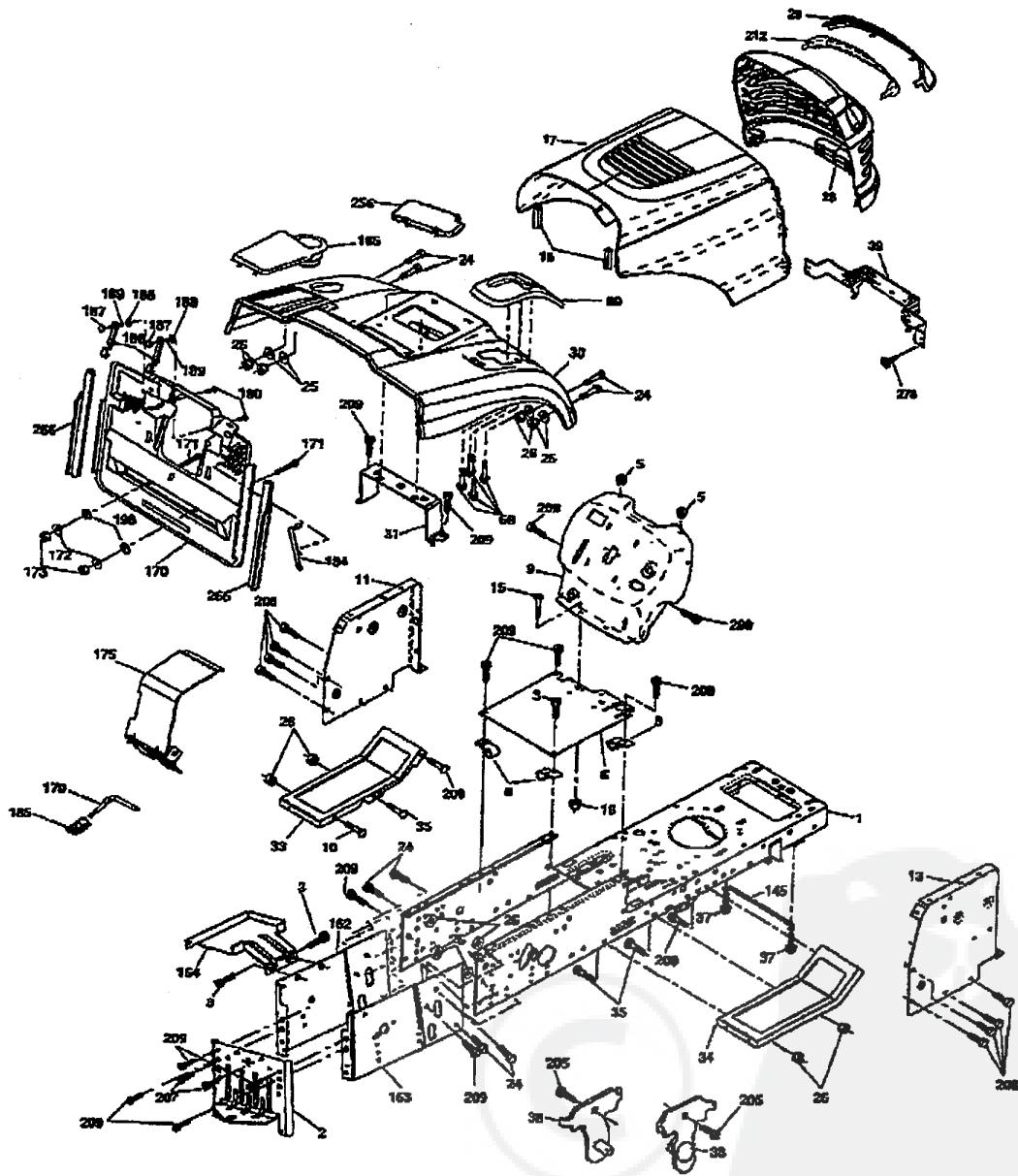
275 19131614	WASHER 13/32 X 1 X 14/
278 416358	SCREW #10 X 0.750 BOS THREAD
292 400271	SPACER
293 72140628	BOLT 3/8-16 X 3-1/2
294 197033	NUT JAM 3/8-16
295 179114	PULLEY IDLER COMPOSITE



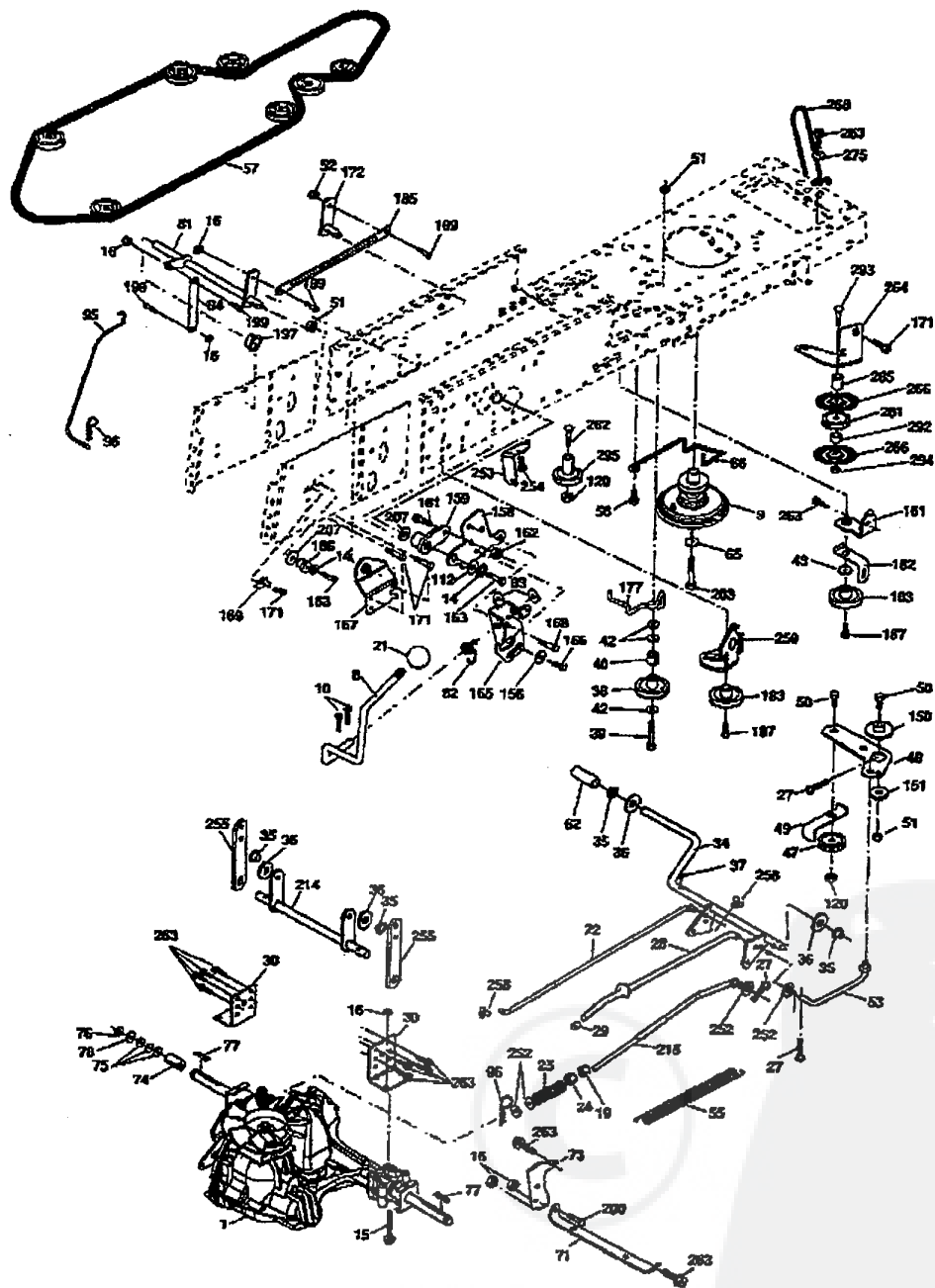


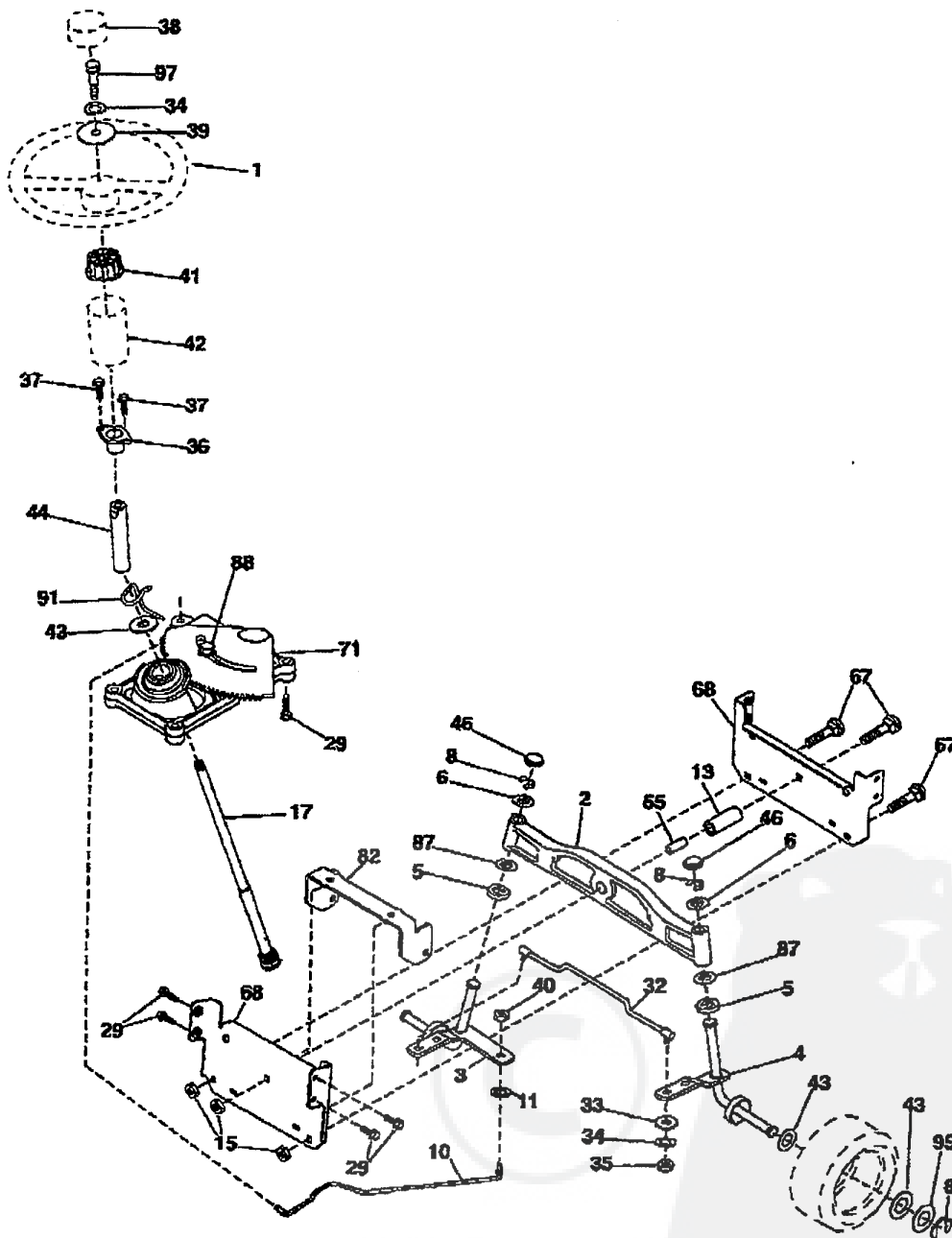
2/08

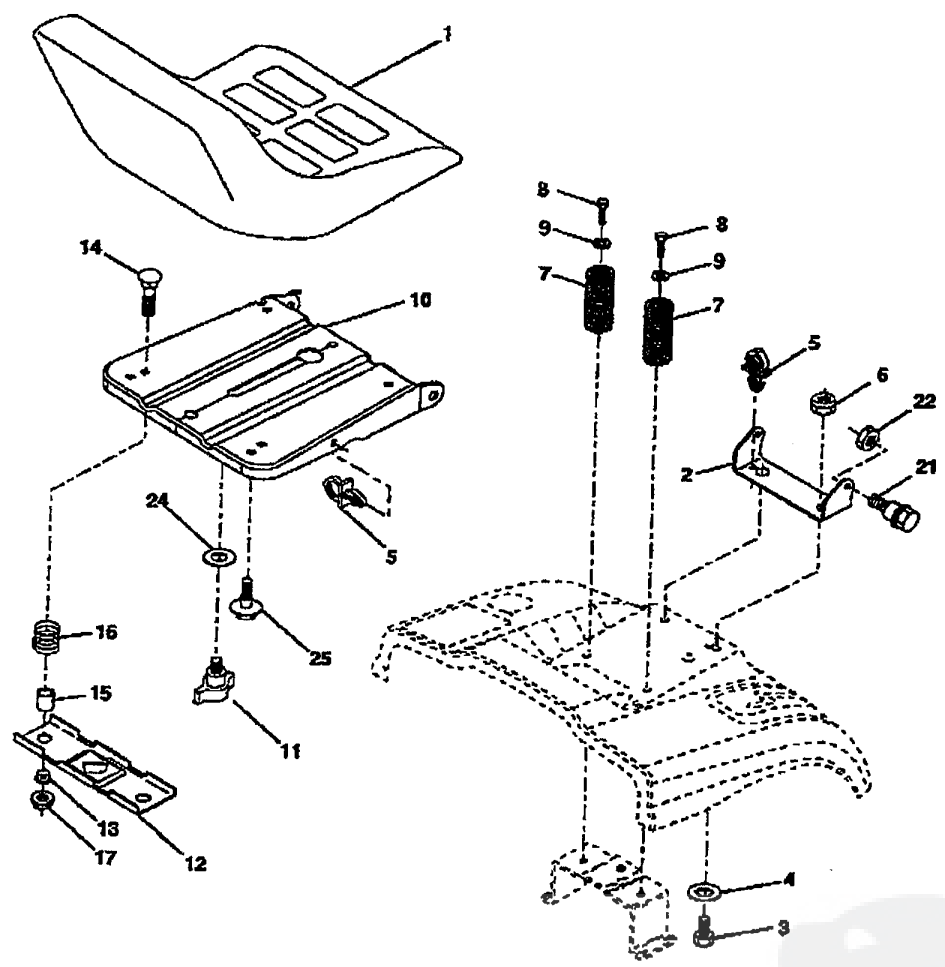
10

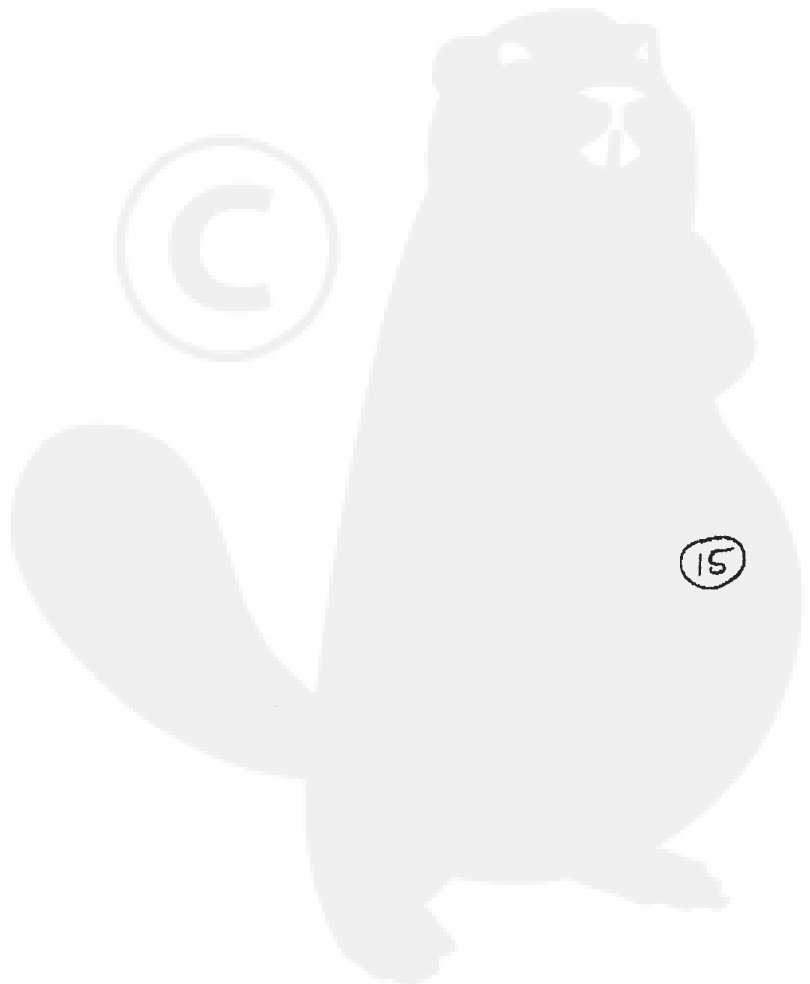
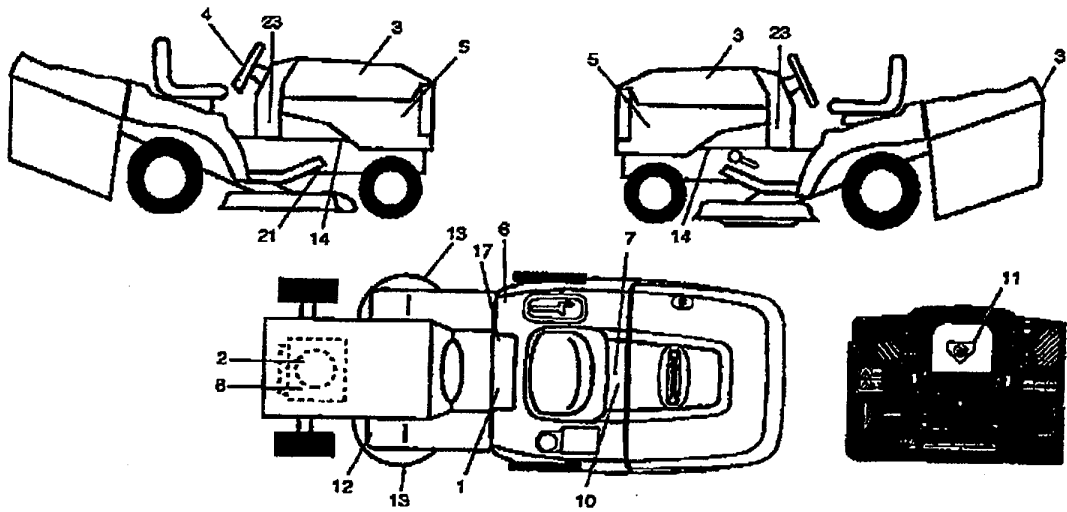


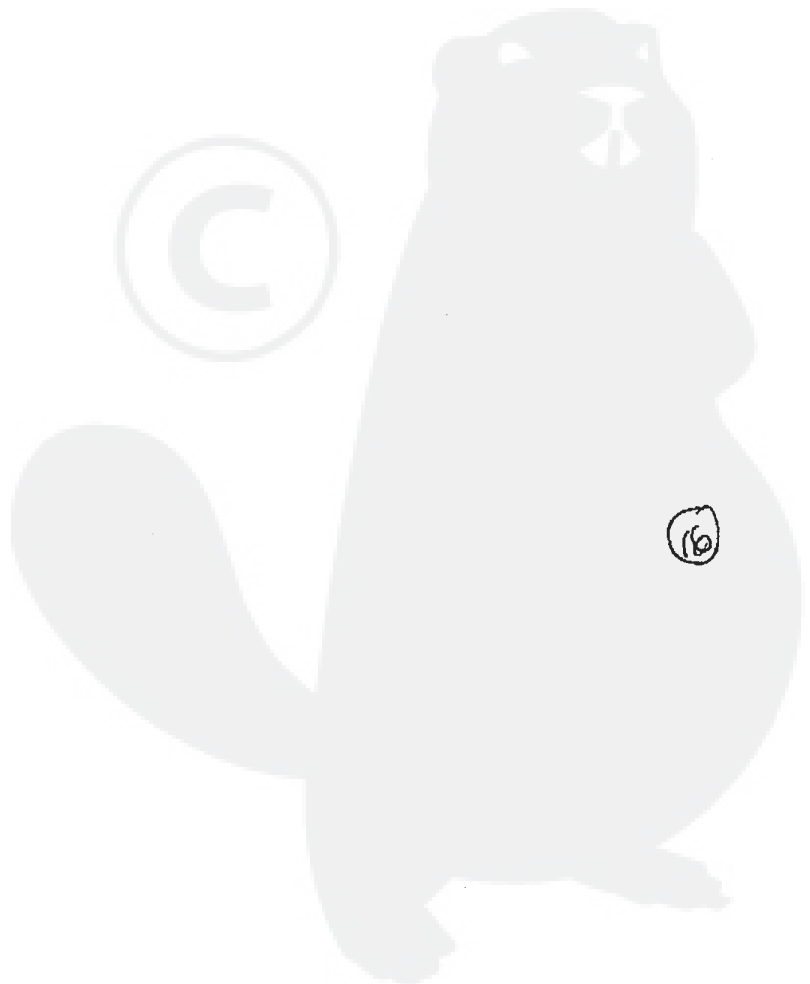
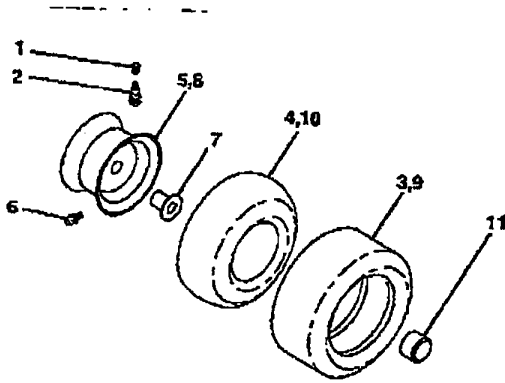
11

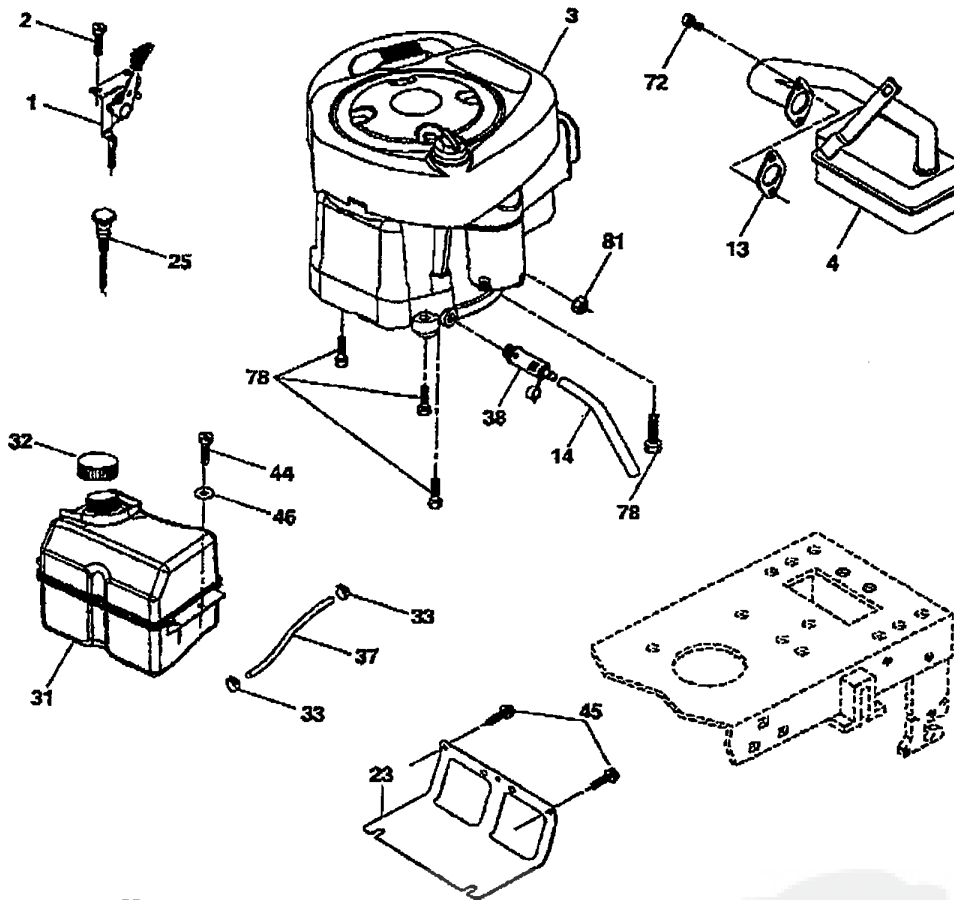








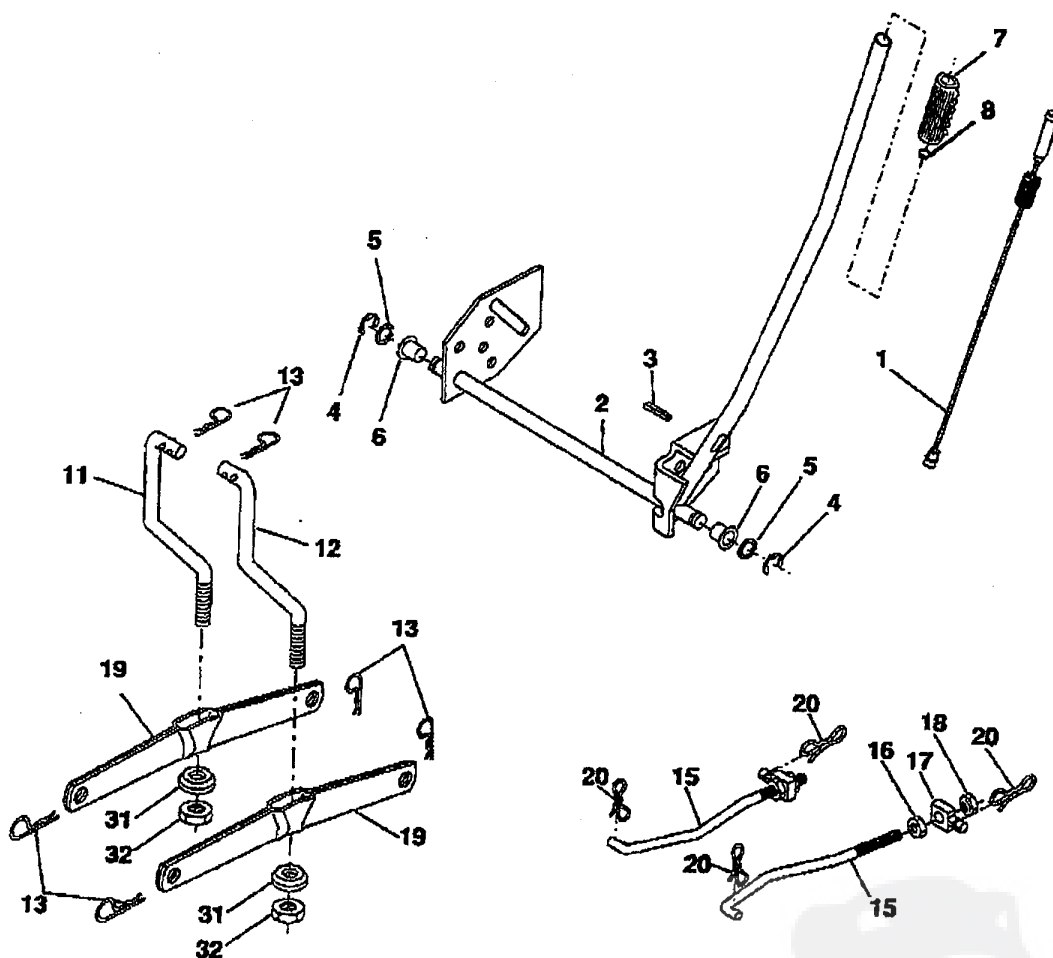




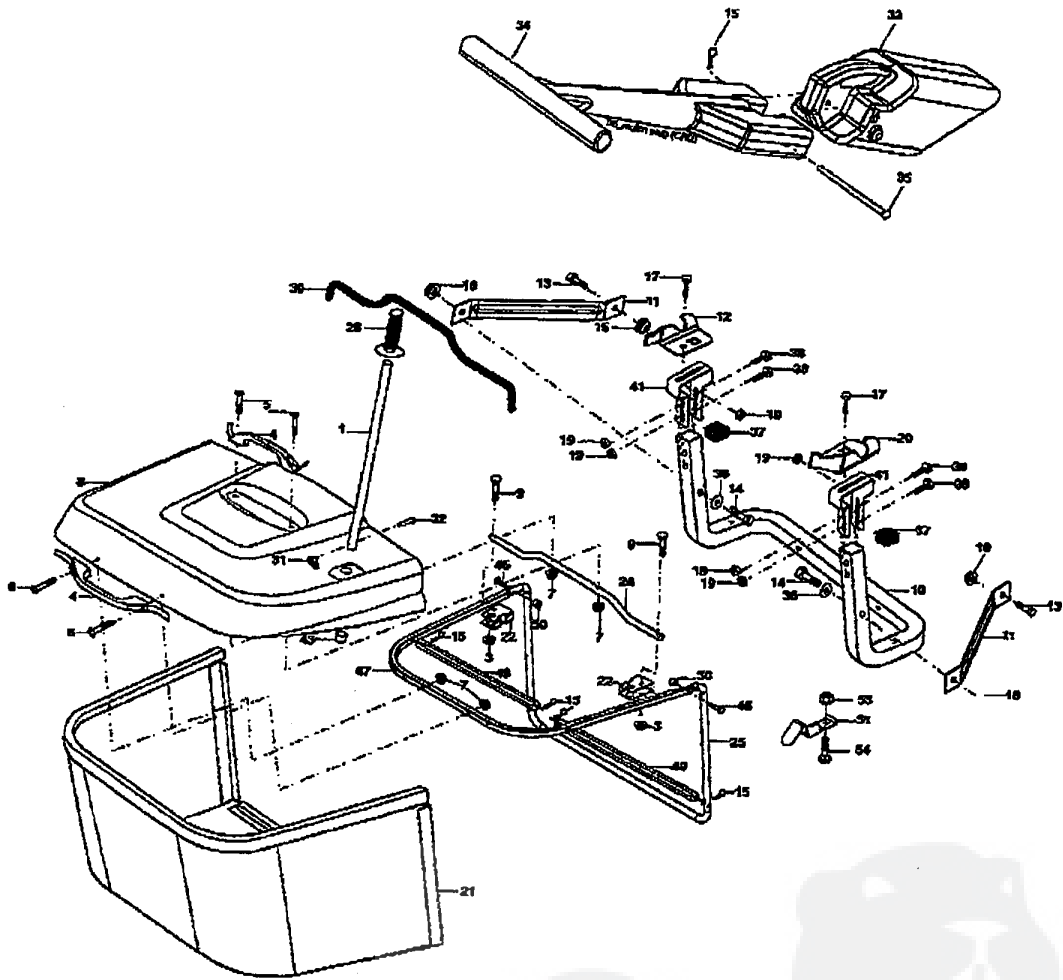
29
OPTIONAL EQUIPMENT
Spark Arrester

Engine Power Rating Information

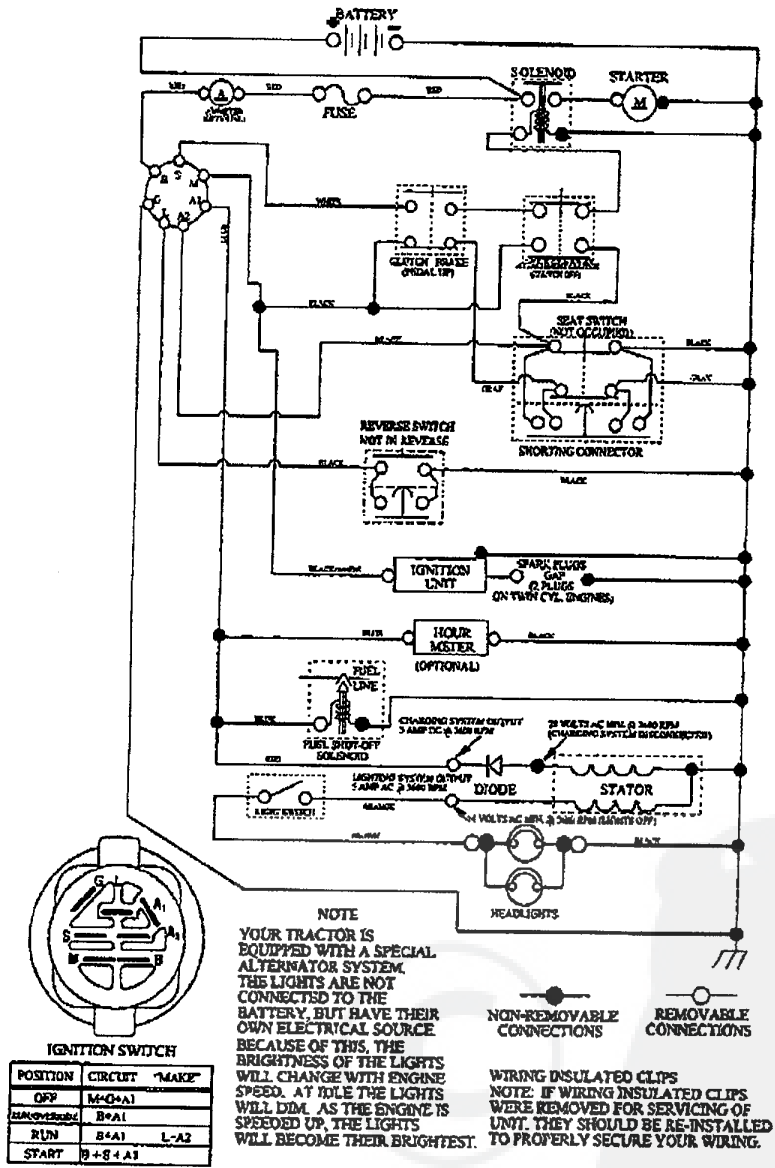
The gross power rating for individual gas engine models is labeled in accordance with SAE (Society of Automotive Engineers) code J11940 (Small Engine Power & Torque Rating Procedure), and rating performance has been obtained and corrected in accordance with SAE J1995 (Revision 2002-5). Actual gross engine power will be lower and is affected by, among other things, ambient operating conditions and engine-to-engine variability. Given both the wide array of products on which engines are placed and the variety of environmental issues applicable to operating the equipment, the gas engine will not develop the rated gross power when used in a given piece of power equipment (actual "on-site" or net horsepower). This difference is due to a variety of factors including, but not limited to, accessories (air cleaner, exhaust, charging, cooling, carburetor, fuel pump, etc.), application limitations, ambient operating conditions (temperature, humidity, altitude), and engine-to-engine variability. Due to manufacturing and capacity limitations, Briggs & Stratton may substitute an engine of higher rated power for this Series engine.



18



20



21

Key MAY. 13. 2008 10:49AM

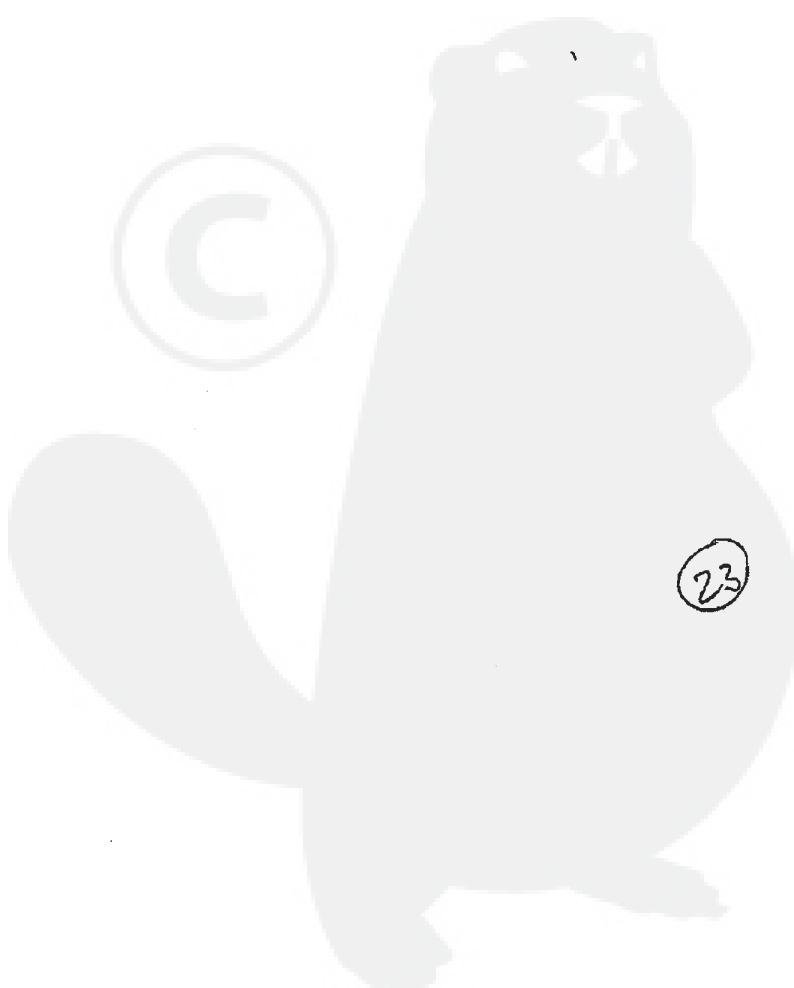
NO. 520 P. 22

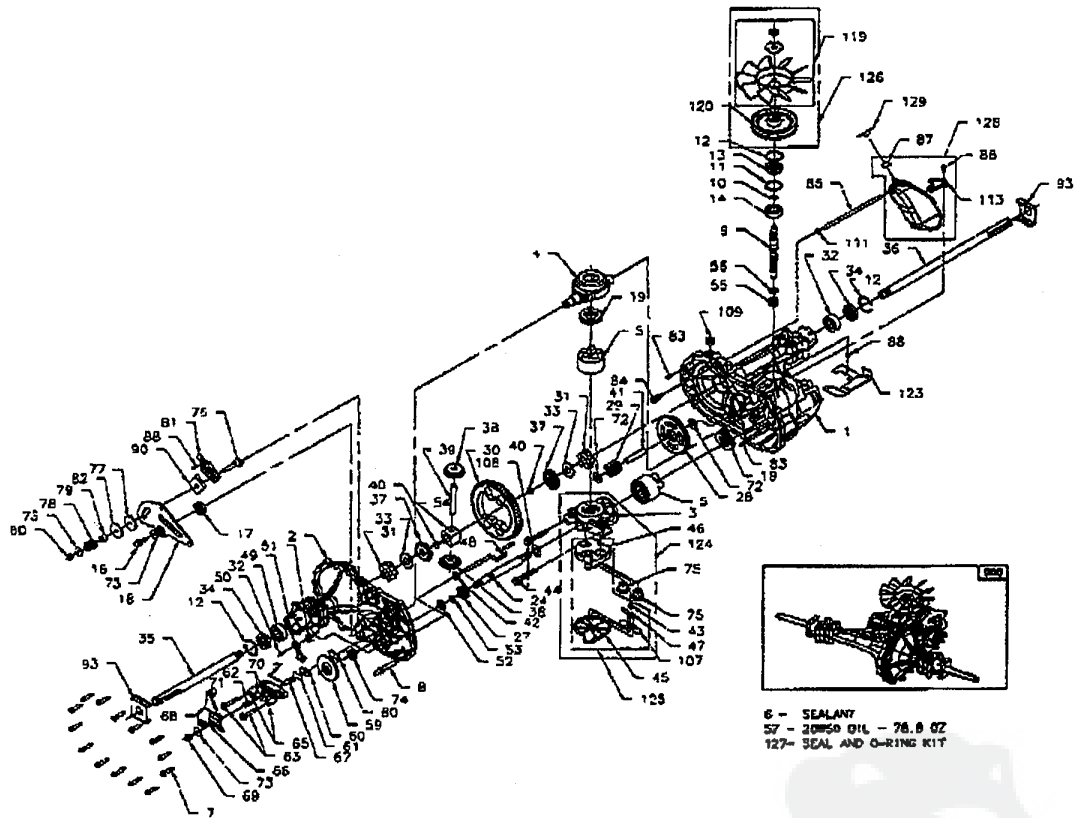
1	170351	KIT, MAIN HOUSING MAIN HOUSING, MACHINED BUSHING .855 X .985 X .790
2	170352	KIT, SIDE HOUSING SIDE HOUSING, MACHINED BUSHING .865 X .985 X .790 BUSHING .624 X .719 X
3	170353	KIT, CENTER SECTION CENTER SECTION, MACHINED BUSHING .707 X .788 X .591
4	170354	SWASHPLATE, TRUNNION MACHINED
5	169898	KIT, CYLINDER BLOCK (10cc) BLOCK-CYLINDER PISTON SPRING, COMPRESSION WASHER-THRU
6	178322	SEALANT TUBE
7	170356	HEXFLANGE SCREW 1/4-20 X 1.25
8	170357	STUD, 5/16-24 HEX DOUBLE END
9	170358	SHAFT, INPUT
10	170359	RETAINING RING
11	170360	SPACER
12	169870	RETAINING RING
13	170361	SEAL, LIP .67 X 1.58 X .276
14	173158	BEARING, BALL 6203 (BDR)
16	170362	HEX FLANGE HEAD SCREW 1/4-20 X 1.25
17	170363	SEAL, LIP 18 X 32 X 7
18	170364	ARM, CONTROL
19	173159	BEARING, THRUST (10cc)
24	170366	SHAFT MOTOR
27	170367	GEAR, PINION, 13t
28	170368	10V48t GEAR
29	170369	GEAR, 10t JACKSHAFT
30	170370	60t BULLGEAR
31	170371	SLEEVE BEARING .75 X 1.75 X .625
32	170389	SLEEVE BEARING (OUTBOARD) .75 X 1.575 X .625
33	142991	WASHER
34	170390	LIP SEAL, AXLE SHAFT
35	170391	SHAFT, AXLE (KEYED, R.H.)
36	170392	SHAFT, AXLE (KEYED, L.H.)
37	150792	GEAR, SPLINED DIFF. (210-1000 AND 310-0750)
38	150793	GEAR, MITER DIFF. (210-1000 AND 310-0750)
39	150809	DIFFERENTIAL SHAFT (310-0750)
40	170393	RETAINING RING
41	170394	PIN, JACKSHAFT
42	170395	MAGNET, RING
43	170396	SPRING, BYPASS
44	150797	BOLT 3/8-24 X 2-1/2
45	170397	FILTER
46	170398	BASE, FILTER
47	170399	ACTUATOR, BYPASS
48	170400	ROD, BYPASS ACTUATOR
49	178156	ARM, BYPASS
50	170402	RETAINING RING .25 EXTERNAL
51	170403	SEAL, LIP .741 X .25 X .25
52	170404	WASHER, FLAT 0.250" (210-1000)
53	170405	RETAINING RING
54	170406	BEARING, CENTER BLOCK
55	142977	SPRING, HELICAL COMPRESSION
56	142978	WASHER, BLOCK THRUST
57	N/P	20W-50 0 1 78.80OZ
58	142929	KIT, BRAKE YOKE
59	170408	ROTOR, BRAKE
60	142883	BRAKE PUCK
60A	142882	BRAKE PUCK PLATE
62	170409	PIN, BRAKE ACTUATING
63	170410	HFHCS 1/4-20 X 2 W/PATCH, SPECIAL FLANGE
65	170411	SPACER, BRAKE TORSION SPRING
66	188297	SPRING, BRAKE ARM BIAS
67	170413	BOLT, SQUARE HEAD-BRAKE

Key MAY. 13. 2008_10:49AMtion

NO. 520 P. 23

- 68 178157 ARM, BRAKE
- 69 170415 NUT, CASTLE 5/16-24
- 70 170416 PIN, COTTER 3/32 X 3/4
- 71 170417 BRAKE SPRING
- 72 170418 WASHER (310-0750)
- 73 142884 WASHER, FLAT
- 74 170419 SEAL, OIL
- 75 170420 ASSEMBLY CHECK PLUG
- 76 170421 BOLT, STUD 5/16-24
- 77 170422 PUCK, FRICTION
- 78 142969 SPRING
- 79 142980 SPACER
- 80 150778 NUT, NYLON INSERT HEX LOCK 5/16-24
- 81 170423 WEDGE, FRICTION
- 82 170424 CLIP, WASHER
- 83 161168 PIN
- 84 170425 FITTING, 5/16 X SAE 5/32 TUBE
- 85 170426 HOSE, EXPANSION TANK
- 87 173160 CAP, VENT
- 88 178334 BOLT, SELF TAPPING (BDR)
- 90 170430 PUCK, INNER WEDGE
- 91 170431 SPRING CLIP, HOUSING
- 107 170432 DEFLECTOR
- 108 170433 WASHER, MOTOR SHAFT .71ID X 1.15 OD X .03 THICK
- 109 170434 PLUG, STRAIGHT THREAD 9/16-18
- 111 170435 O-RING .7 X .301 ID
- 113 170437 BRACKET, SUPPORT EXPANSION TANK
- 119 191031 KIT, FAN-WASHER-NUT WASHER, OLD SLOTTED .53 X 1.63 X .06 HEX LOCK NUT 1/2-20 (NYLON I
- 120 178159 PULLEY
- 123 178160 BRACKET, BELT KEEPER
- 124 191033 KIT, CENTERSECTION, FILTER BYPASS CENTER SECTION MACHINING BASE FILTER W/POPPET
- 125 170445 KIT, FILTER BOTTOM, FILTER BASE, FILTER W/POPPET SPRING, BYPASS ACTUATOR, BYPASS D
- 126 191029 KIT, FAN/PULLEY HEX JAM 1/20-20 (NYLON INSERT) WASHER, OD SLOTTED, .53 X 1.53 X .06 FAN
- 127 170447 KIT, SEAL LIP SEAL .67 X 1.58 X .276 LIP SEAL 18 X 32 X 7 LIP SEAL .706 X 1.584 X .25 LIP SEAL .74
- 128 173165 KIT, EXPANSION TANK TANK, EXPANSION ASSEMBLY CAP, VENT VSBOLT, SELF TAPPING 10-32
- 129 191032 CAP, EXPANSION TANK SHIPPING
- 900 170061 TRANSAXLE





3/07

24