

REPAIR PARTS MANUAL
MODEL NO. 257240
Lawn Tractor

CRAFTSMAN®

413007 02.19.07 JS
PRINTED IN U.S.A.

HOW TO USE THIS MANUAL

This manual is designed to provide the customer with a means to identify the parts on his/her tractor when ordering repair parts. The illustrations may or may not represent the actual assemblies; therefore, it is not recommended to use this manual as a guide to assemble or disassemble the tractor. Some hardware and parts are drawn larger in order to more readily identify them.

Each tractor has its own model number.

The model number for your tractor can be found on the fender under the seat.

When ordering parts, always give the following information:

- Product - "Tractor"
- Model Number - "257240"
- Part Number
- Part Description

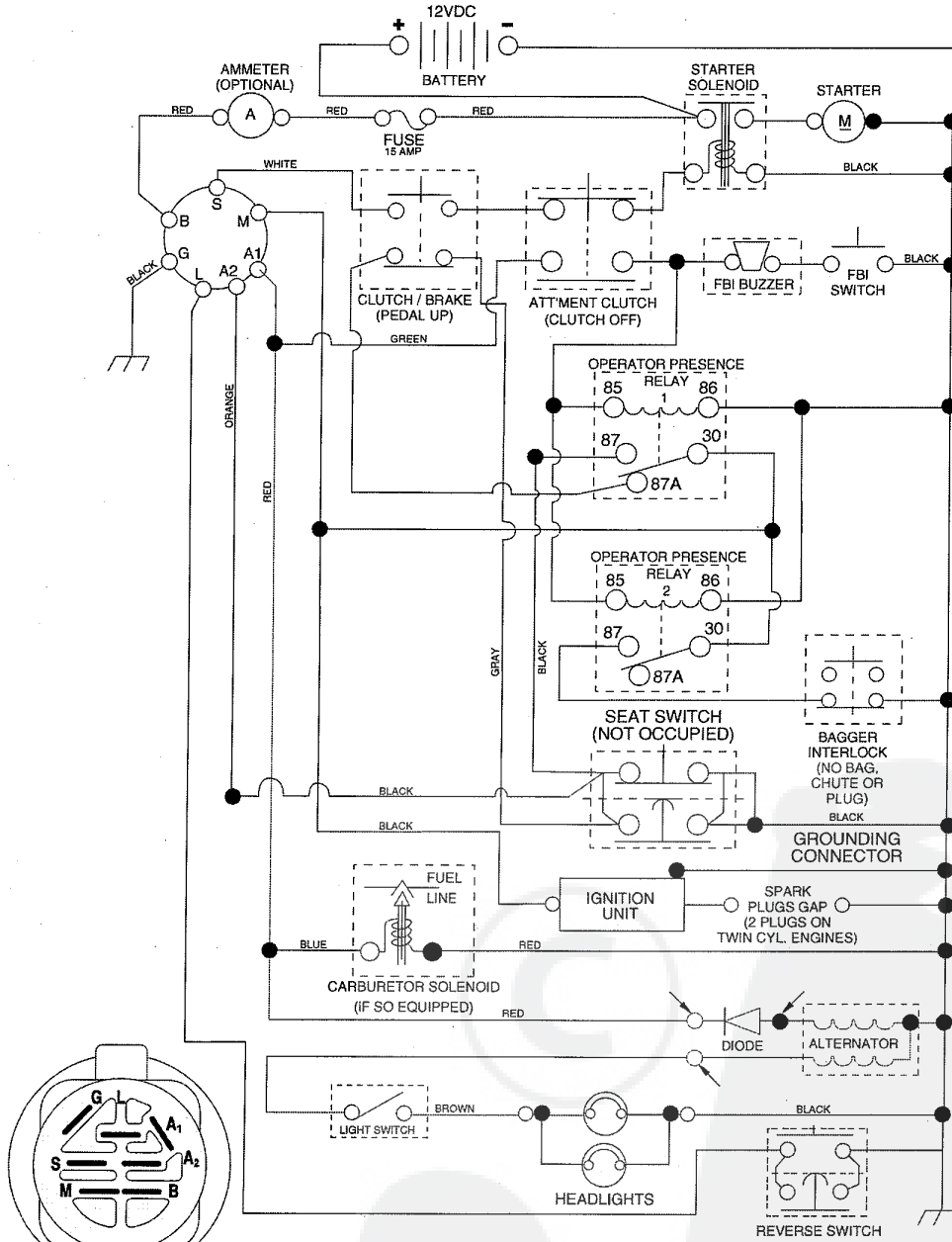
TABLE OF CONTENTS

SCHEMATIC	3
ELECTRICAL.....	4-5
CHASSIS	6-7
DRIVE.....	8-9
STEERING	10-11
SEAT	12
DECALS.....	13
ENGINE.....	14-15
MOWER LIFT.....	16-17
MOWER DECK	18-19
BAGGER.....	20-21
TRANSAXLE.....	22-24
ENGINE BREAKDOWN.....	25-28
WARRANTY.....	BACK COVER

TRACTOR- -MODEL NO. 917.257240

SCHEMATIC

03055_197436 (WITH LIGHTS)

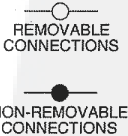


IGNITION SWITCH

POSITION	CIRCUIT	"MAKE"
OFF	M+G+A1	
RUN/OVERRIDE	B+A1	
RUN	B+A1	L+A2
START	B + S + A1	

WIRING INSULATED CLIPS

NOTE: IF WIRING INSULATED CLIPS WERE REMOVED FOR SERVICING OF UNIT, THEY SHOULD BE REPLACED TO PROPERLY SECURE YOUR WIRING.

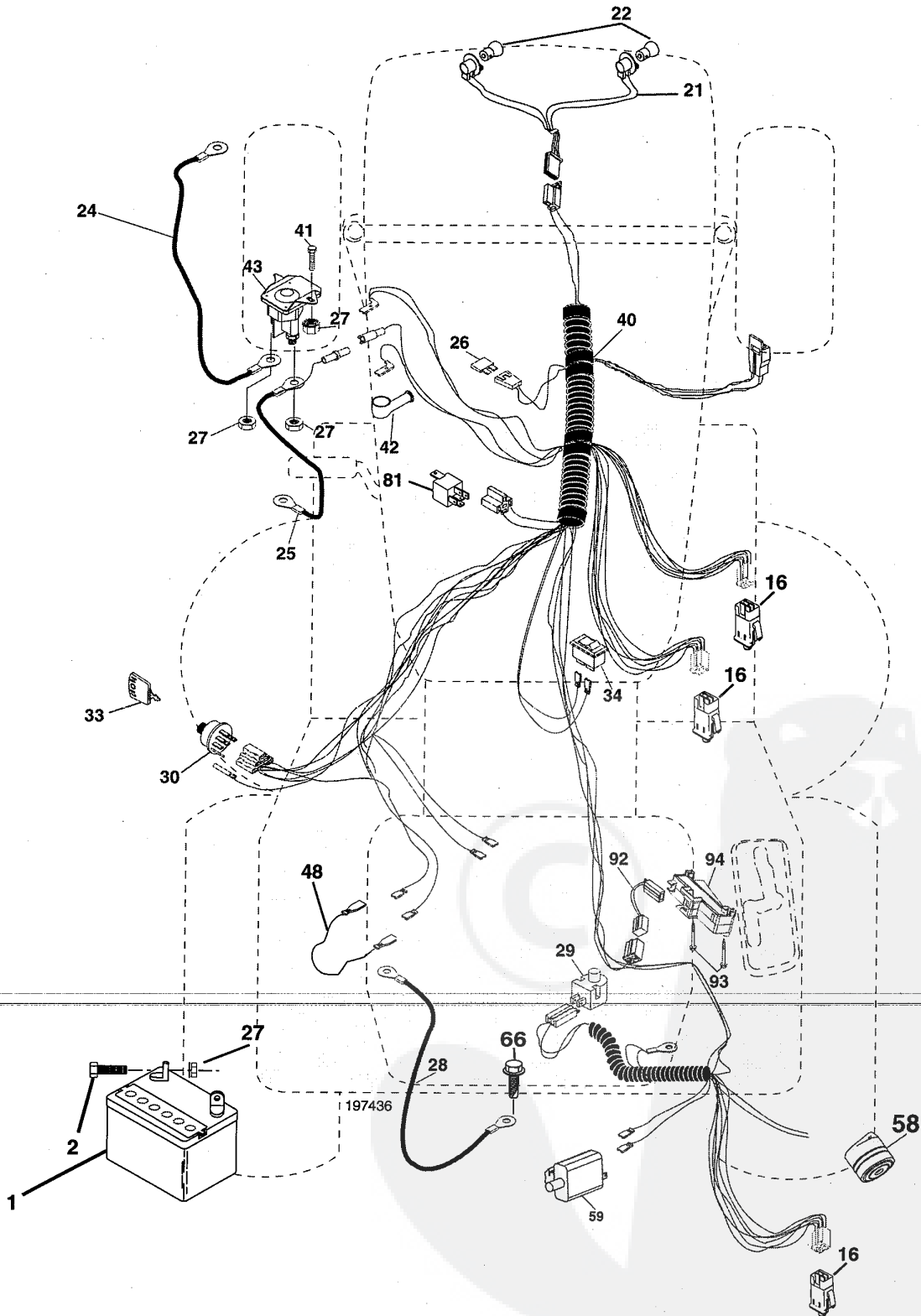


03055

REPAIR PARTS

TRACTOR--MODEL NO. 917.257240

ELECTRICAL



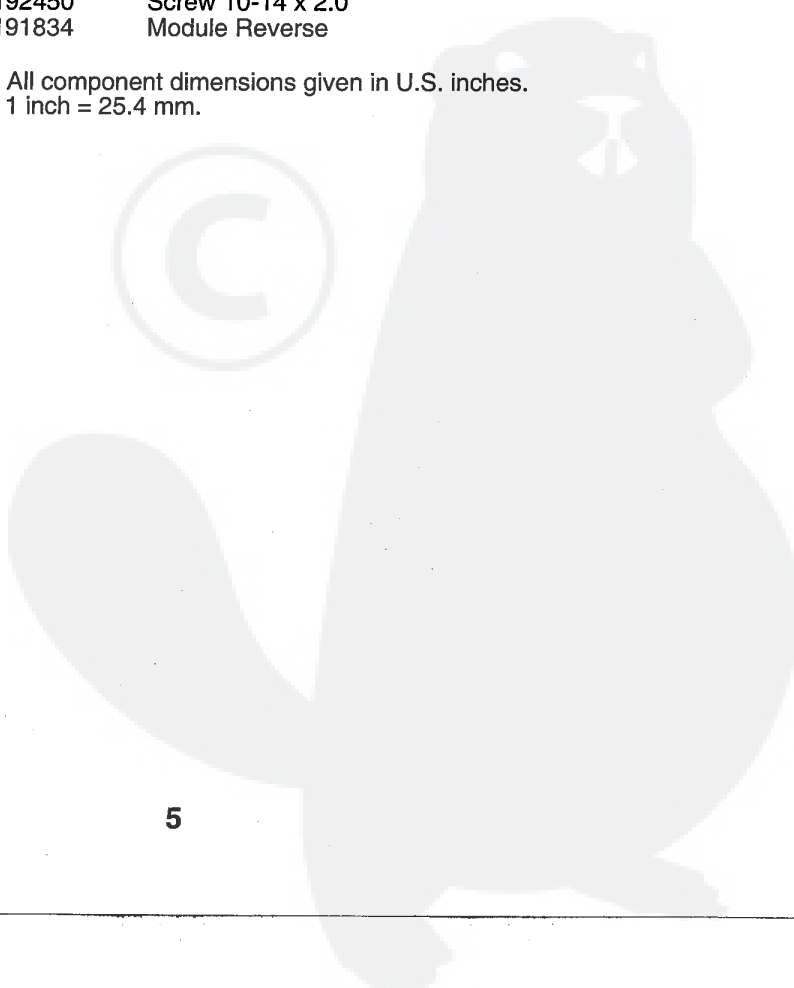
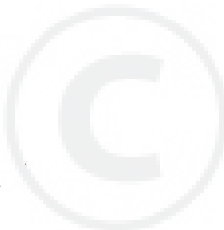
REPAIR PARTS

TRACTOR- -MODEL NO. 917.257240

ELECTRICAL

KEY NO.	PART NO.	DESCRIPTION
1	163465	Battery
2	74760412	Bolt Hex Hd 1/4-20 unc x 3/4
16	176138	Switch Interlock Push-In
21	183759	Harness Asm Light W/4152J
22	4152J	Bulb Light #1156
24	4799J	Cable Starter 6 Ga. 11" Red
25	165987	Cable Battery Crd 56" Red
26	175158	Fuse
27	STD541425	Nut Keps Hex 1/4-20 unc
28	127725X	Cable Ground 6 Ga. 18" Black
29	192749	Switch Seat
30	193350	Switch Ignition
33	140403	Key Ign Molded
34	110712X	Switch Light
40	197436	Harness Ign
41	71110408	Bolt Flk Fin Hex 1/4-20 unc x 1/2
42	131563	Cover Terminal Red
43	192507	Solenoid
48	140844	Adapter Ammeter
58	169419	Buzzer Crd
59	180379	Switch FBI CRD
66	17490608	Screw Thdrol 3/8-16 x 1/2 Ty-Tt
81	109748X	Relay Asm
92	196615	Harness Pigtail
93	192450	Screw 10-14 x 2.0
94	191834	Module Reverse

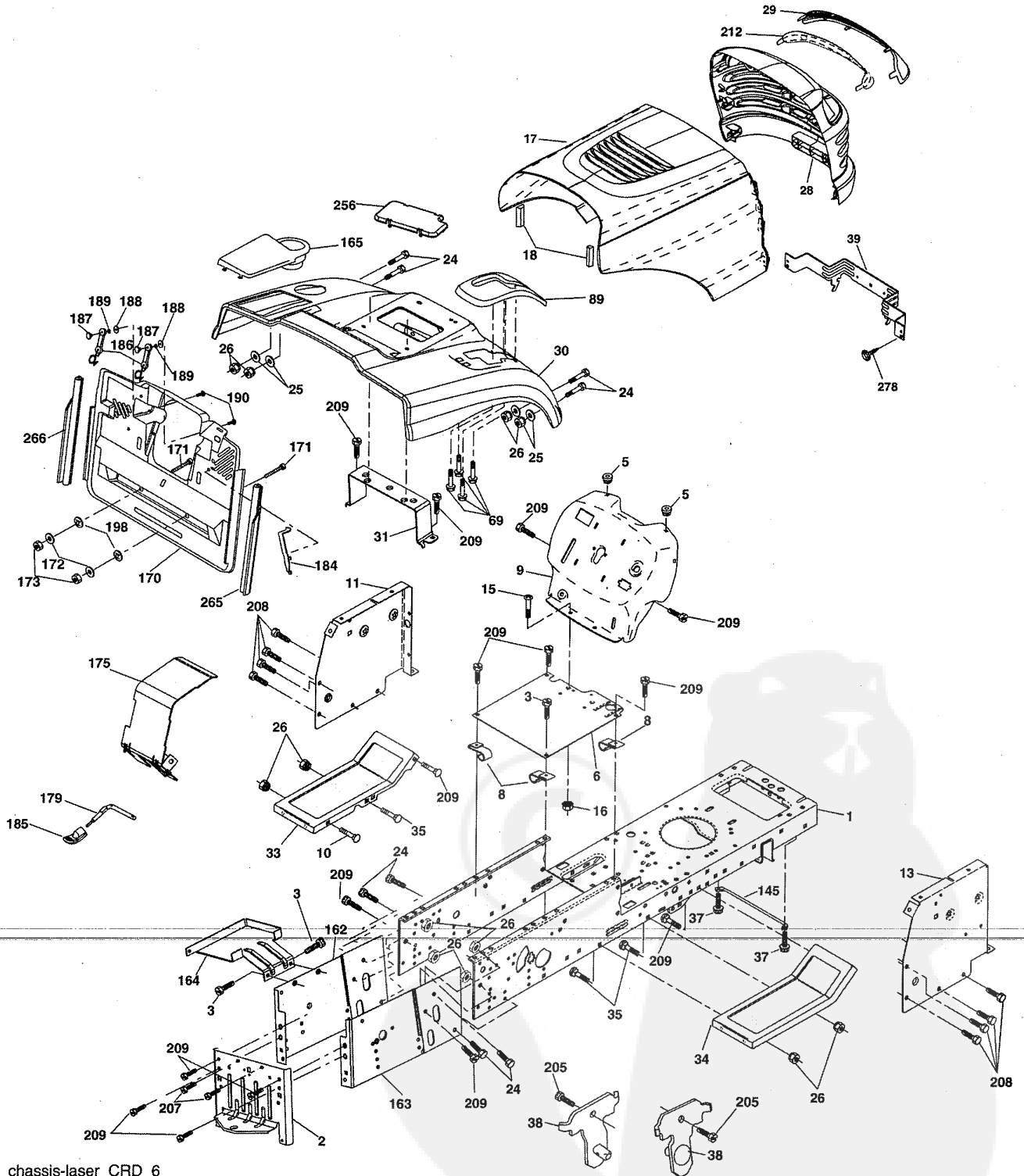
NOTE: All component dimensions given in U.S. inches.
1 inch = 25.4 mm.



REPAIR PARTS

TRACTOR- -MODEL NO. 917.257240

CHASSIS AND ENCLOSURES



chassis-laser_CRD_6

REPAIR PARTS

TRACTOR- -MODEL NO. 917.257240

CHASSIS AND ENCLOSURES

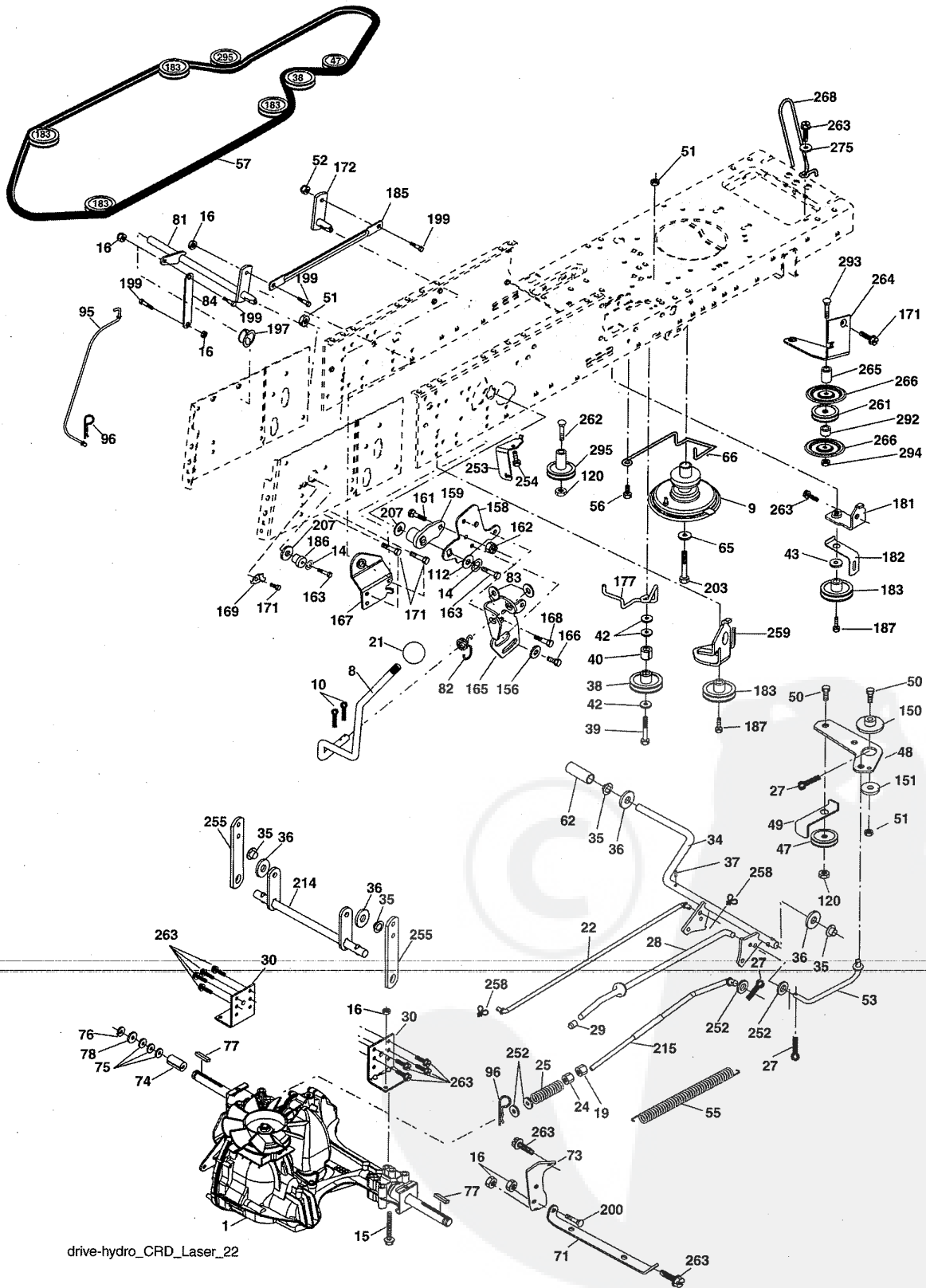
KEY NO.	PART NO.	DESCRIPTION	KEY NO.	PART NO.	DESCRIPTION
1	174620	Chassis Assembly	162	180382	Bracket Exten Chassis Lh CRD
2	180384	Drawbar	163	180383	Bracket Exten Chassis Rh CRD
3	17060612	Screw 3/8-16 x .75	164	165605	Support Battery CRD
5	155272	Bumper Hood/Dash	165	179020X428	Cover Battery CRD Lt
6	184419	Saddle	170	199488	Backplate Asm CRD
8	126471X	Clip Insulator 13/32 Mtg. Hole	171	72140620	Bolt Rdhd Sqnk 3/8-16 x 2-1/2
9	193518X012	Dash Silscr	172	19132016	Washer 13/32 x 1-1/4 x 16 Ga.
10	STD533710	Bolt, Carriage 3/8-16 x 1	173	STD541437	Nut, Keps Hex 3/8-16 unc
11	174996	Panel, Dash, L.H.	175	188203	Door Trap
13	172105X010	Panel, Asm. Dash R.H.	179	188202	Rod Pivot FBI CRD
15	74180512	Screw, Machine, Truss Head 5/16-18 unc x 3/4	184	174662	Bracket Actuator Bagger CRD
16	STD541431	Nut Keps 5/16-18 unc	185	179608X505	Knob Rod Brake Parking
17	185682X613	Hood Assembly	186	160793	Latch Asm Mulch/Bagger
18	184921	Bumper Hood	187	2029J	Nut Weld .327/.304 #10-24
24	STD523710	Bolt Fin Hex 3/8-16 unc x 1. Gr. 5	188	19061216	Washer #10
25	19131312	Washer 13/32 x 13/16 x 12 Ga.	189	STD551110	Washer Lock #10
26	STD541437	Nut Lock Hex w/Ins 3/8-16 unc	190	71081010	Screw Pan Hd Phillips 10-24
28	193258	Grille/Lens Asm (Includes key #'s 29 and 212)	198	168937	Nut, Push
29	174332X599	Lens, Grille	205	17490608	Screw Thdrol 5/8-16 x 1/2
30	192533X613	Fender	207	17670508	Screw Thdrol 5/16-18 x 1/2
31	165156	Bracket, Fender Support	208	17670608	Screw Thdrol 3/8-16 x 1/2 TYT
33	179716X613	Footrest, L.H.	209	17000612	Screw Hex Wsh Thdrol 3/8-16
34	179717X613	Footrest, R.H.	212	175143	Insert Lens Reflective
35	STD533107	Bolt RDHD SHT SQNK 3/8-16 x 3/4	256	180810X428	Cover Fender Rack
37	17490508	Screw Thdrol 5/16-18 x 1/2 TYT	265	185704	Seal Side RH
38	181748	Pivot Bracket Assembly	266	185703	Seal Side LH
39	407807	Bracket Pivot	278	191611	Screw 10 x 3/4 Single-Lead Hex
69	142432	Screw Hex 1/4-1/2 unc	--	5479J	Plug, Button
89	192392X428	Console			
145	409167	Rod Pivot Chassis/Hood			

NOTE: All component dimensions given in U.S. inches.
1 inch = 25.4 mm.

REPAIR PARTS

TRACTOR- -MODEL NO. 917.257240

DRIVE



drive-hydro_CRD_Laser_22

REPAIR PARTS

TRACTOR- -MODEL NO. 917.257240

DRIVE

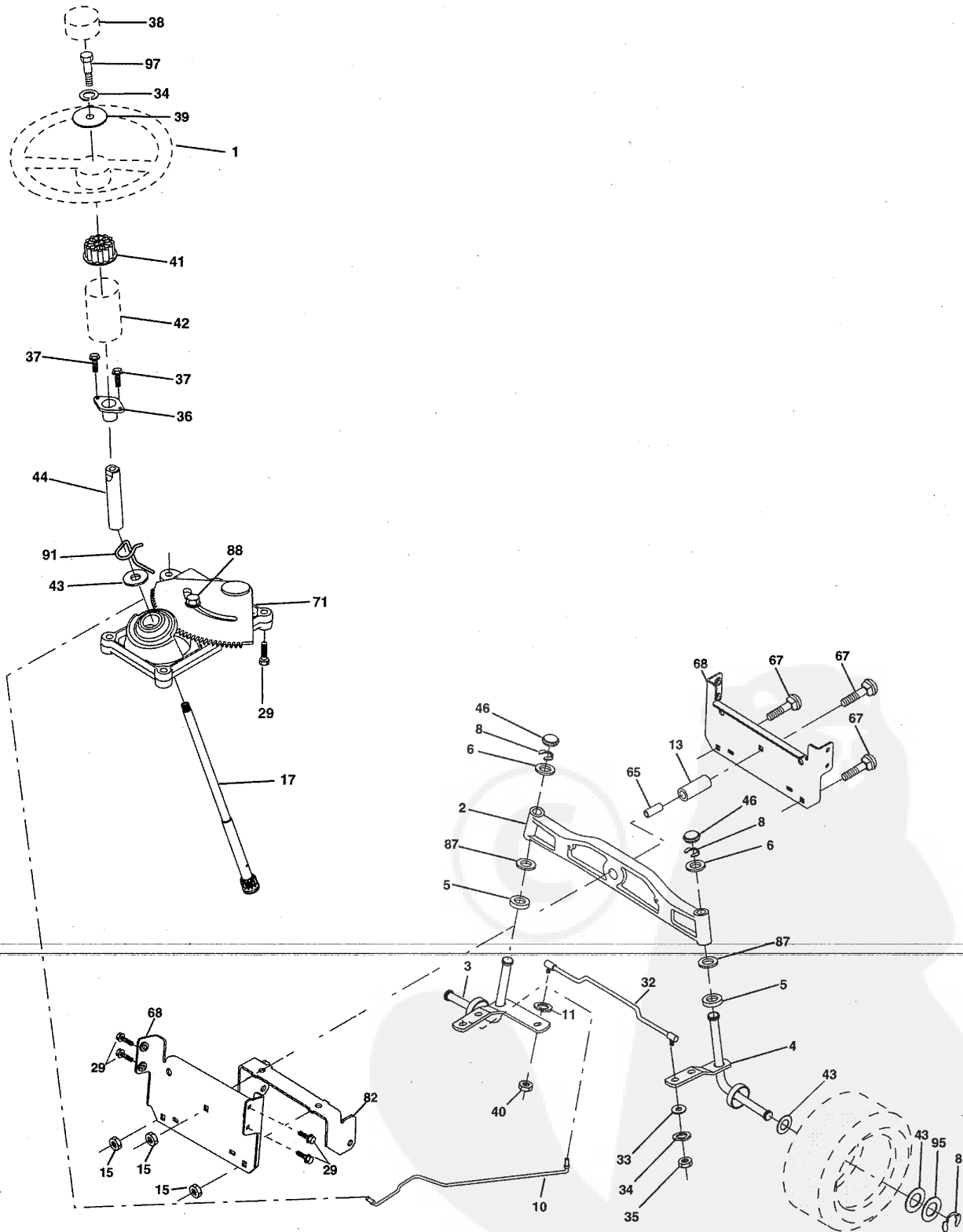
KEY NO.	PART NO.	DESCRIPTION	KEY NO.	PART NO.	DESCRIPTION
1	-----	Transaxle Hydro Gear 321-0510 (Order parts from transaxle manufacturer)	96	4497H	Spring, Retainer 1"
8	192706	Rod, Shift	112	19091210	Washer 9/32 x 3/4 x 10 Ga.
9	408579	Clutch Asm Noram	120	73900600	Nut Lock Fig. 3/8-16 unc
10	76020416	Pin, Cotter 1/8 x 1	150	165850	Bushing, Bellcrank Grnd Dr.
14	10040400	Washer, Lock Hvy Helical	151	19133210	Washer 13/32 x 2 x 10 Ga.
15	74490544	Bolt Hex FGHD 5/16-18 x Gr. 5	156	166002	Washer Srrted 5/16 ID x 1.125
16	73800500	Nut Lock Hex W/Ins 5/16-18 unc	158	165589	Bracket Shift Mount
19	73800600	Nut Lock Hex W/Ins 3/8-16 unc	159	183900	Hub Shift
21	140845	Knob	161	72140406	Bolt Rdhd Sqnk 1/4-20 x 3/4 Gr 5
22	175607	Rod, Brake	162	73680400	Nut Crownlock 1/4-20 unc
24	73350600	Nut	163	74780416	Bolt Hex Fin 1/4-20 unc x 1 Gr 5
25	192036	Spring, Rod, Brake	165	165623	Bracket Pivot Lever
27	76020412	Pin, Cotter 1/8 x 3/4	166	17490510	Screw 5/16-18 x 5/8
28	175765	Rod, Parking Brake	167	165588	Bracket Support Shift CRD
29	071673	Cap, Parking Brake	168	165492	Bolt Shoulder 5/16-18 x .561
30	169592	Bracket, Mfg. Transaxle	169	165580	Plate Fastening Lt
34	175578	Shaft, Asm Pedal Foot CRD	171	17490608	Screw Thdrol 3/8-16 x 1/2 Ty-Tt
35	120183X	Bearing, Nylon	172	170271	Shaft Asm Shifter Frt CRD
36	19211616	Washer 21/32 x 1 x 16 Ga.	177	165932	Keeper Flat Idler 3.06" CRD
37	1572H	Pin, Roll 3/16 x 1"	181	180211	Bracket Idler Ground Drive CRD
38	165936	Pulley Flat Composite 3.06"	182	182682	Keeper Belt 2.5" Od V-Idler CRD
39	74760644	Bolt Fin Hex 3/8-16 unc x 2-3/4	183	199532	Pulley V-Idler 2.50" Od CRD
40	4470J	Spacer, Split 395 x 59 Bzp	185	170008	Link Shift
42	19131312	Washer 13/32 x 13/16 x 12 Ga.	186	165614	Hub Tapered Round CRD
43	19111012	Washer 11/32 x 5/8 x 12 Ga.	187	17580520	Screw Thdrol 5/16-18 x 1.25
47	127783	Pulley, Idler, V Groove Plasic	197	169613	Nyliner Snap-In 5/8
48	154407	Bellcrank Clutch Grnd Drv	199	169612	Bolt Shoulder 5/16-18 unc
49	123205X	Retainer, Belt Style Spring	200	72140508	Bolt RDHD SQNK 5/16-18 x 1
50	72110612	Bolt 3/8-16 x 1-1/2 Gr. 5	203	71170780	Bolt Hex 7/16-20 x 5
51	73680600	Nut, Crownlock 3/8-16 unc	207	169845	Washer Nylon Rear
52	73680500	Nut Crownlock 5/16-18	214	175609	Shaft Asm. Brake
53	199652	Link, Clutch 7.66	215	175652	Rod Brake Hydro
55	105709X	Spring, Return, Clutch	252	19131616	Washer 13/32 x 1 x 16 Ga.
56	17060620	Screw 3/8-16 x 1-1/4	253	175028	Bracket Cable Chassis
57	170140	V-Belt Kev 112" 0650 CRD	254	17000616	Screw 3/8-16 x 1
62	8883R	Cover, Pedal	255	175608	Brace Shaft Brake Mtg.
65	10040700	Washer	258	178062	Clip Retainer
66	154778	Keeper, Belt Engine F-Proof	259	180212	Bracket Pulley
71	169183	Strap, Torque, Lh	261	131494	Pulley Idler
73	169182	Strap, Torque, Rh	262	72110622	Bolt 3/8-16 x 2-3/4 Gr. 5
74	137057	Spacer, Split	263	17000612	Screw 3/8-16 x 3/4
75	121749X	Washer 25/32 x 1-1/4 x 16 Ga.	264	197608	Bracket Clutch Mounting
76	12000001	Ring, E	265	404607	Spacer Idler Chassis
77	123583X	Key, Square	266	182061	Shield Idler Mower
78	121748X	Washer 25/32 x 1-5/8 x 16 Ga.	268	182402	Guard Muffler
81	170006	Asm, Shaft, Cross Rear	275	19131614	Washer 13/32 x 1 x 14
82	165711	Spring, Torsion	292	400271	Spacer
83	19171216	Washer 17/32 x 3/4 x 16 Ga.	293	72140628	Bolt 3/8-16 x 3-1/2
84	170007	Link, Transaxle			
95	170015	Control Asm Bypass Hydro			

NOTE: All component dimensions given in U.S. inches
1 inch = 25.4 mm

REPAIR PARTS

TRACTOR- -MODEL NO. 917.257240

STEERING ASSEMBLY



steering_pl.it_60

REPAIR PARTS

TRACTOR- -MODEL NO. 917.257240

STEERING ASSEMBLY

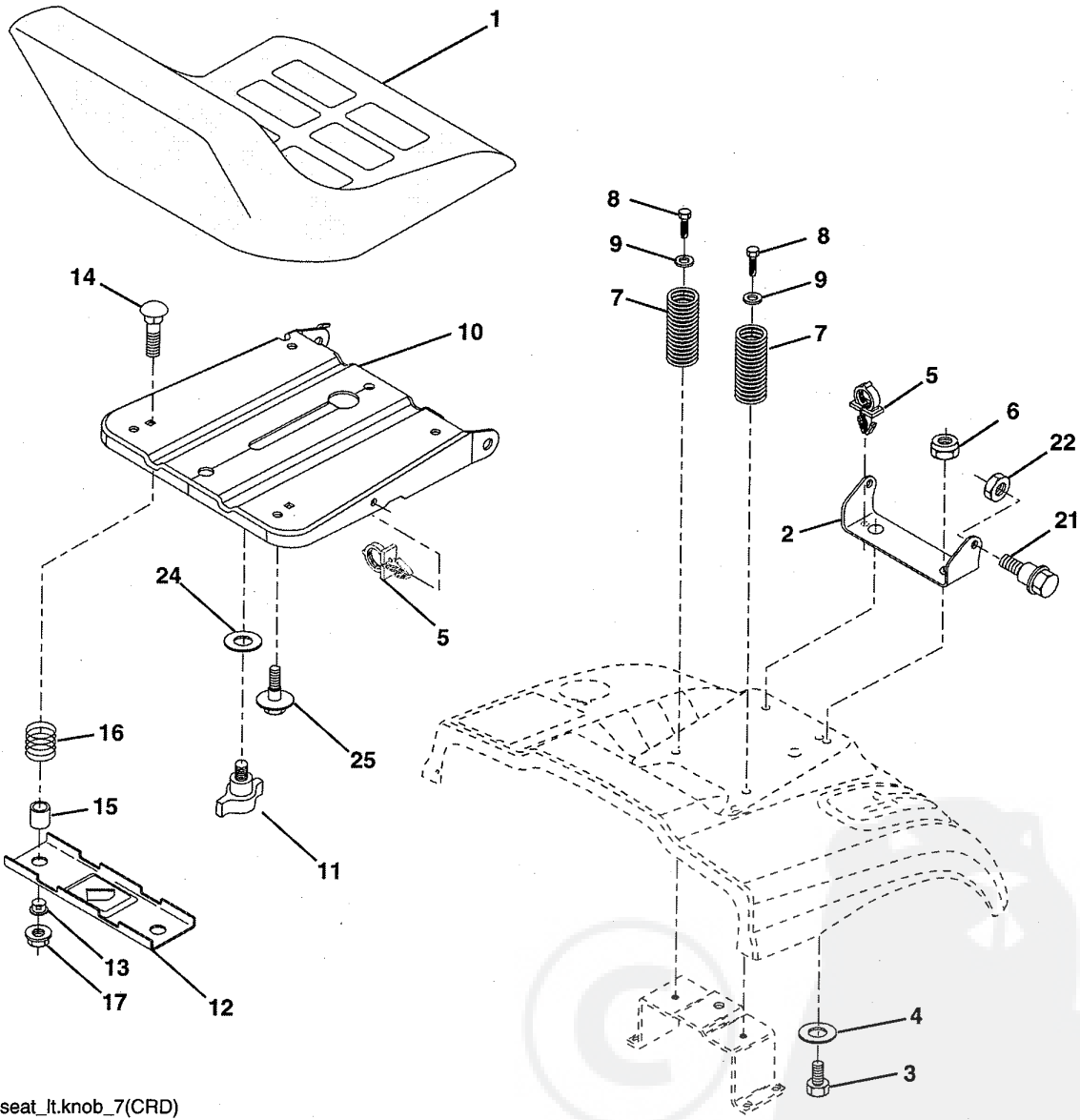
KEY NO.	PART NO.	DESCRIPTION
1	186093X428	Steering Wheel
2	184706	Front Axle Assembly
3	169840	Spindle Assembly, L.H.
4	169839	Spindle Assembly, R.H.
5	6266H	Bearing, Race, Thrust, Hardened
6	121748X	Washer 25/32 x 1-5/8 x 16 Ga.
8	12000029	Ring, Klip
10	175121	Link, Drag
11	STD551137	Washer, Lock
13	136518	Spacer Axle
15	145212	Nut, Hexflange Lock
17	190753	Shaft Assembly, Steering
29	17000612	Screw, 3/8-16 x 3/4 SMGML Tap/R
32	170162	Rod, Tie
33	19111216	Washer 11/32 x 3/4 x 16 Ga.
34	STD551131	Washer Lock Hvy Hlcl Spr 5/16
35	73540500	Nut Crownlock 5/16-24 unf
36	155099	Bushing, Steering
37	152927	Screw TT #10-32 x 5 x 3/8 Flange
38	186095X428	Cap Wheel Steering
39	19113812	Washer 11/32 ID x 2-3/8 OD x 12 Ga.
40	73540600	Nut Crownlock 3/8-24
41	186737	Adaptor, Steering Wheel
42	145054X428	Boot, Steering Dash
43	121749X	Washer 25/32 x 1-1/4 x 16 Ga.
44	190752	Extension Steering Non-Adjust
46	184946X505	Cap, Spindle
65	160367	Spacer Brace Axle
67	72110618	Bolt RDHD SQ 3/8-16 x 2-1/4
68	169827	Brace Axle
71	175146	Steering Asm.
82	199978	Bracket Susp Chassis Front
87	173966	Washer FLat .781 x 1-1/2 x .14
88	175118	Bolt Shoulder
91	175553	Clip Steering
95	188967	Washer Harden .739 x 1.637 x 060
97	74780564	Bolt 5/16-18 unc x 4" L Gr. 5

NOTE: All component dimensions given in U.S. inches.
1 inch = 25.4 mm.

REPAIR PARTS

TRACTOR- -MODEL NO. 917.257240

SEAT ASSEMBLY



seat_ft.knob_7(CRD)

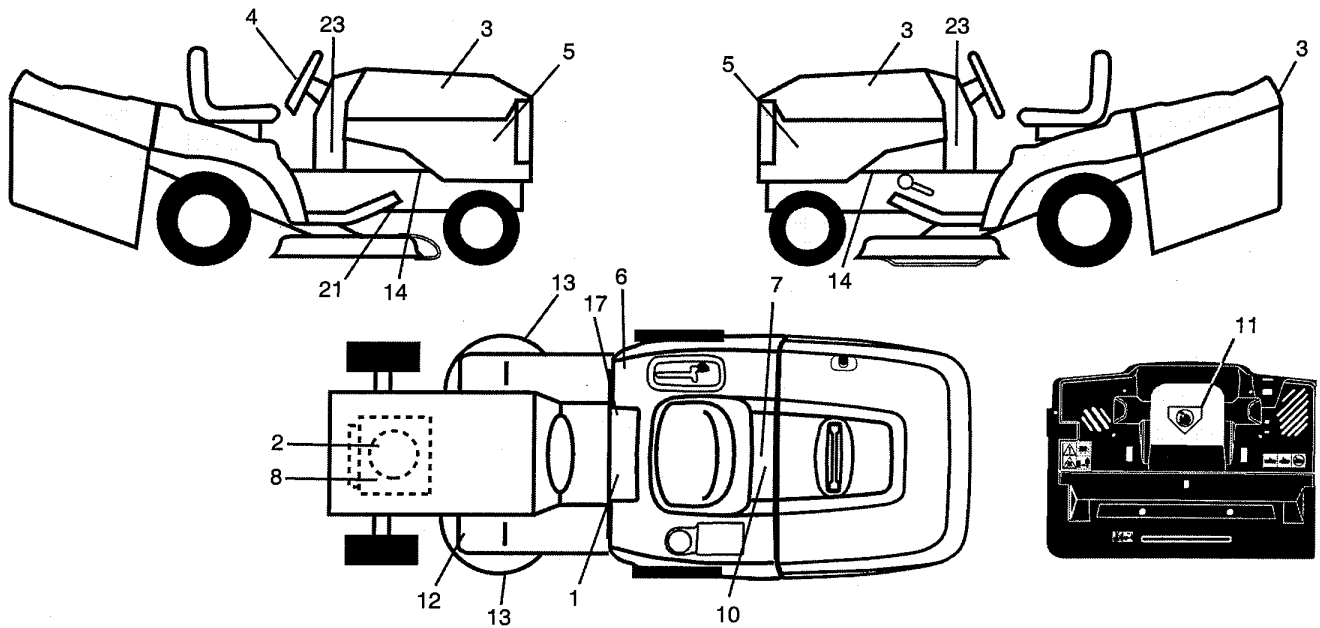
KEY NO.	PART NO.	DESCRIPTION	KEY NO.	PART NO.	DESCRIPTION
1	188939	Seat	13	121248X	Bushing Snap Blk Nyl 50 Id
2	140551	Bracket Pnt Pivot Seat (blk)	14	72050412	Bolt Rdhd Sht Nk 1/4-20 x 1-1/2
3	71110616	Bolt Fin Hex 3/8-16 unc x 1	15	134300	Spacer Split .28 x .96 Zinc
4	19131610	Washer Flat 13/32 x 1 x 10 Ga.	16	121250X	Spring Cprsn
5	145006	Clip Push In Hinged	17	123976X	Nut Lock 1/4 Lge Flg Gr. 5 Zinc
6	STD541437	Nut Lock Hex 3/8-16 Unc	21	171852	Bolt Shoulder 5/16-18 unc-2A
7	124181X	Spring Seat Cprsn 2 250 Blk Zi	22	STD541431	Nut Hex Lock w/Ins 5/16-18
8	17000616	Screw 3/8-16 x 1	24	19171912	Washer 17/32 x 1-3/16 x 12 Ga.
9	19131614	Washer 13/32 x 1 x 14 Ga.	25	127018X	Bolt Shoulder 5/16-18 x .62
10	195530	Pan Pnt Seat			
11	166369	Knob Seat Adj Wingnut			
12	174648	Bracket Pnt Mounting Switch			

NOTE: All component dimensions given in U.S. inches.
1 inch = 25.4 mm

REPAIR PARTS

TRACTOR - MODEL NO. 917.257240

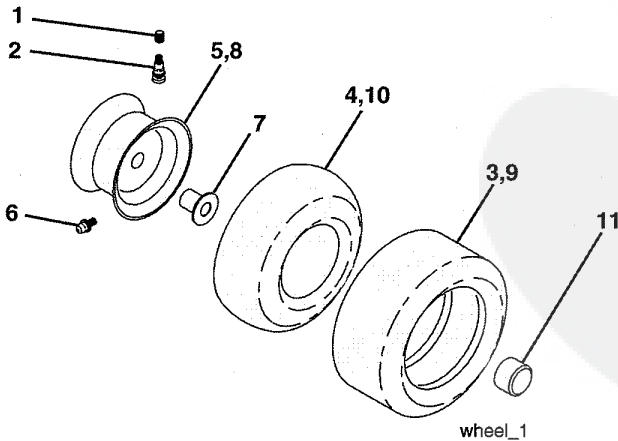
DECALS



KEY NO.	PART NO.	DESCRIPTION
1	400389	Decal Read Owner's Manual Sym
2	411042	Decal Hp Engine
3	411697	Decal Hood/RH Fender/LH
4	164065	Decal Steering Wheel
5	413054	Decal Hood Side
6	180432	Decal 100 DB/CE
7	166960	Decal Bypass Fender
8	196841	Decal Engine Warning Sym
10	145005	Decal Bat Dan/Poi P/L Sym Wpn
11	182166	Decal Mower Cut Finger Symbol
12	159737	Decal Brake/Clutch Symbol Lt
13	196842	Decal Saddle Shift Sym. Cutfinger
14	159736	Decal Chassis Hot Muffler

KEY NO.	PART NO.	DESCRIPTION
17	140837	Decal Saddle Brake Parking
21	166286	Decal Deck Sch 92 CRD
23	404235	Decal Panel Dash
--	138311	Decal Lift Handle
--	179768X428	Pad Footrest LH
--	179769X428	Footrest Pad RH
--	413003	Manual Operator's (Euro)
--	413004	Manual Operator's (Scan)
--	413005	Manual Operator's (E-Bloc)
--	413006	Manual Operator's (Baltic)
--	413007	Manual Parts

WHEELS & TIRES



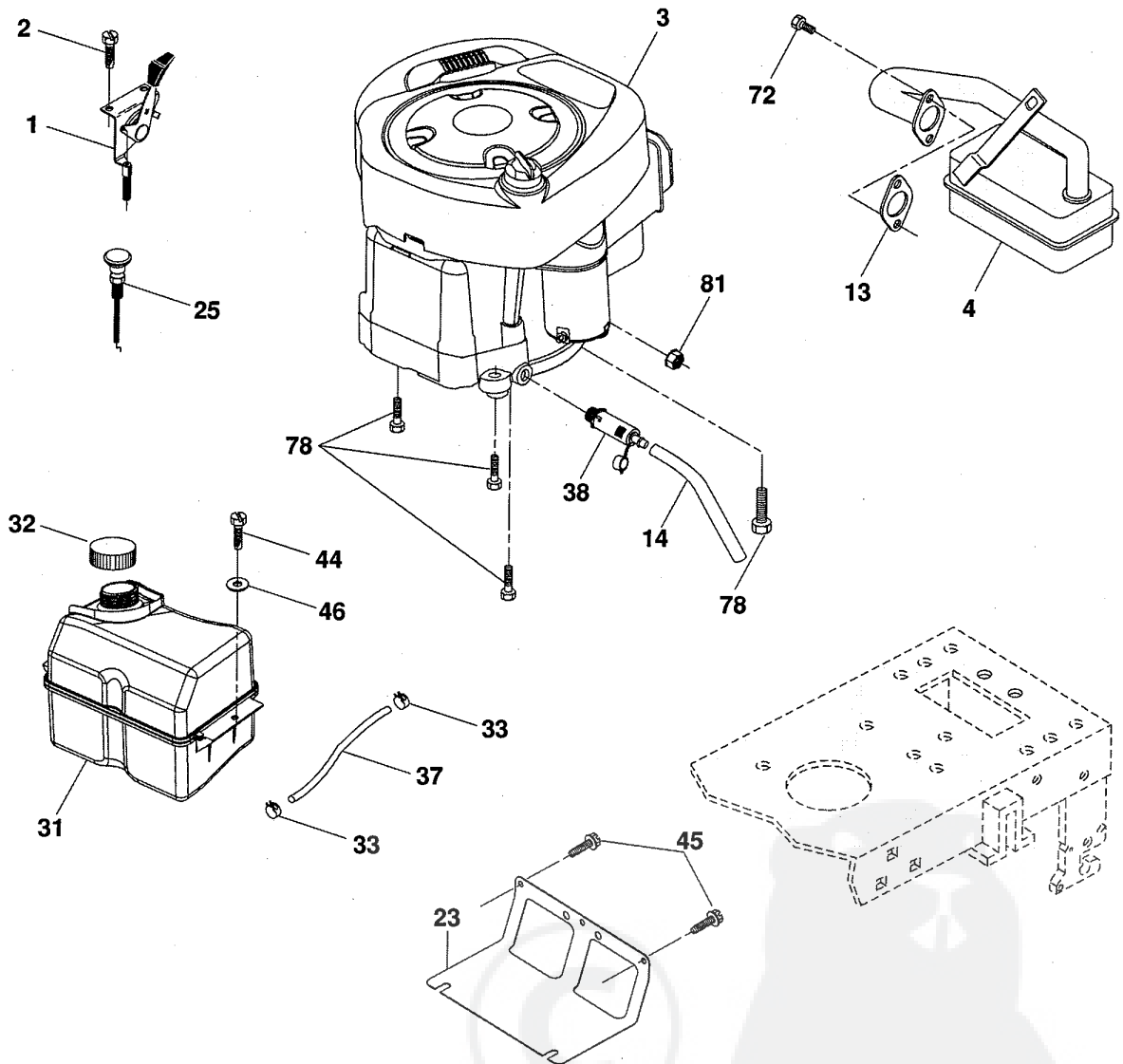
KEY NO.	PART NO.	DESCRIPTION
1	59192	Cap Value Tire
2	65139	Stem Valve
3	106222X	Tire F Ts 15 x 6.0 - 6 Service
4	59904	Tube Inner Front #35060
5	106732X645	Rim Asm 6" front Service
6	278H	Fitting Grease
7	9040H	Bearing Flange
8	106108X645	Rim Asm 8" rear Service
9	138648	Tire R Ts 20 x 8-8 Service
10	7152J	Tube Rear 9.5 x 8 Service
11	104757X645	Cap Axle Blk 1 50 x 1 00
--	144334	Sealant, Tire (10 oz. tube)

NOTE: All component dimensions given in U.S. inches
1 inch = 25.4 mm

REPAIR PARTS

TRACTOR- -MODEL NO. 917.257240

ENGINE



OPTIONAL EQUIPMENT
Spark Arrester

engine-bs.1cyl_52

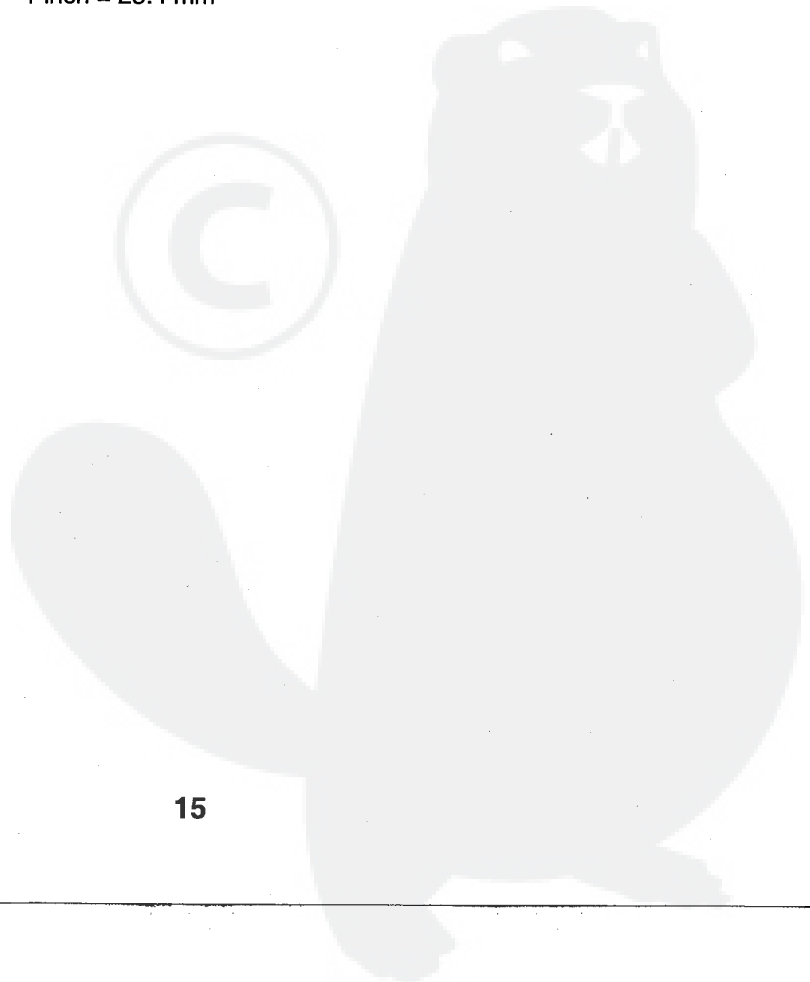
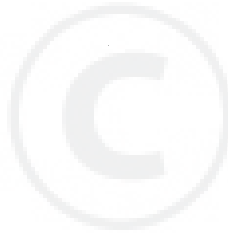
REPAIR PARTS

TRACTOR- -MODEL NO. 917.257240

ENGINE

KEY NO.	PART NO.	DESCRIPTION
1	170545	Control Throttle
2	17720408	Screw Hex Thd Cut 1/4-20 x 1/2
3	-----	Engine Briggs Model 31P977-0881-B1
4	137352	Muffler Exhaust B&S Lt
13	165291	Gasket 1 313 Id Tin Plated
14	148456	Tube Drain Oil Easy
23	169837	Shield Browning/Debris Guard
25	187770X428	Control Choke
29	137180	Arrestor Spark
31	185534	Tank Fuel
32	197725	Cap Asm Fuel
33	123487X	Clamp Hose Blk
37	137040	Line Fuel 20"
38	181654	Plug Oil Drain Easy
44	17670412	Screw Hexwsh Thdrol 1/4-20 x 3/4
45	17000612	Screw Hexwsh Thdr 3/8-16 x 3/4
46	19091416	Washer 9/32 x 7/8 x 16 Ga.
72	192334	Screw Socket 5/16-18 x 3/4
78	17060620	Screw 3/8-16 x 1-1/4
81	STD541425	Nut Keps 1/4-20 unc

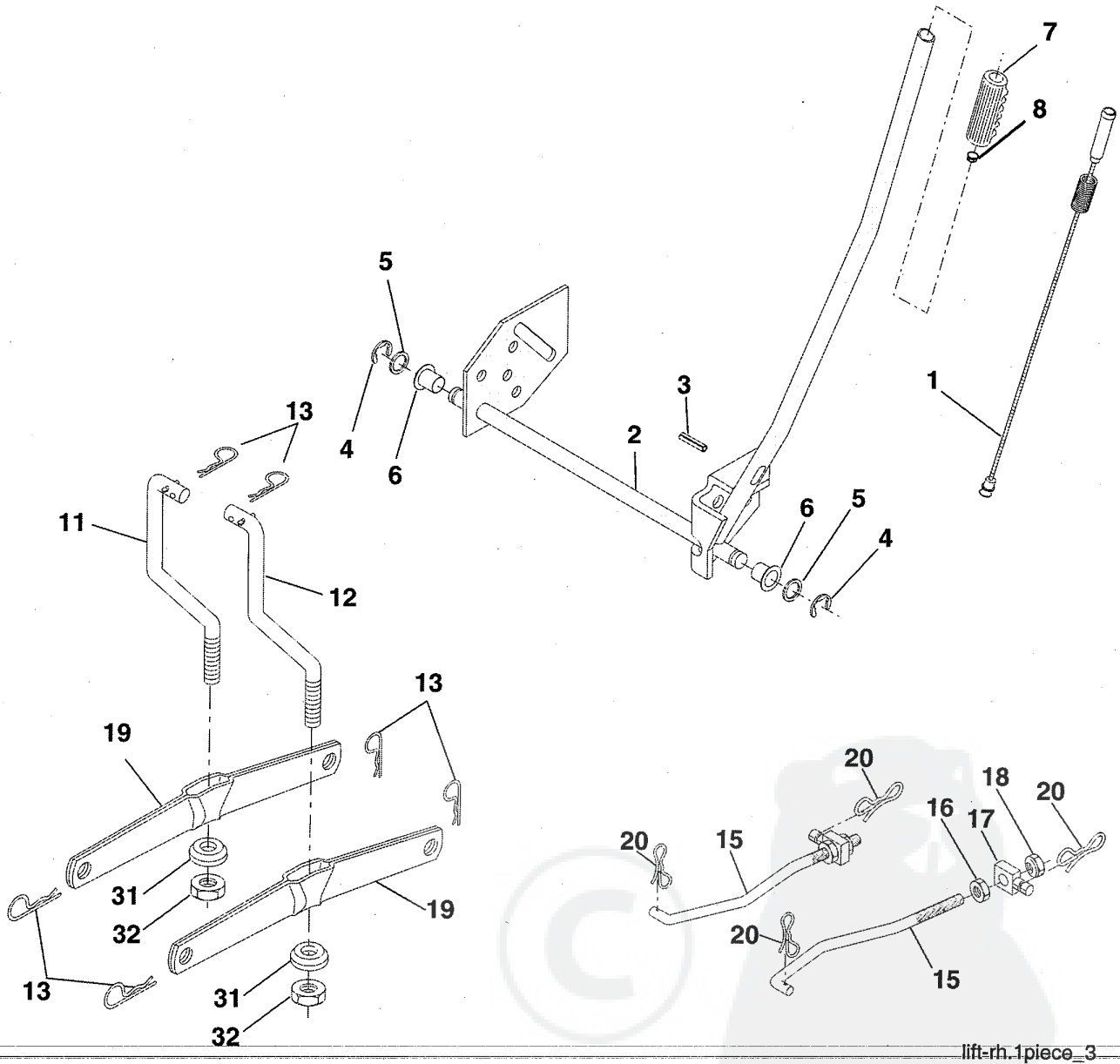
NOTE: All component dimensions given in U.S. inches
1 inch = 25.4 mm



REPAIR PARTS

TRACTOR- -MODEL NO. 917.257240

MOWER LIFT



lift-rh.1piece_3

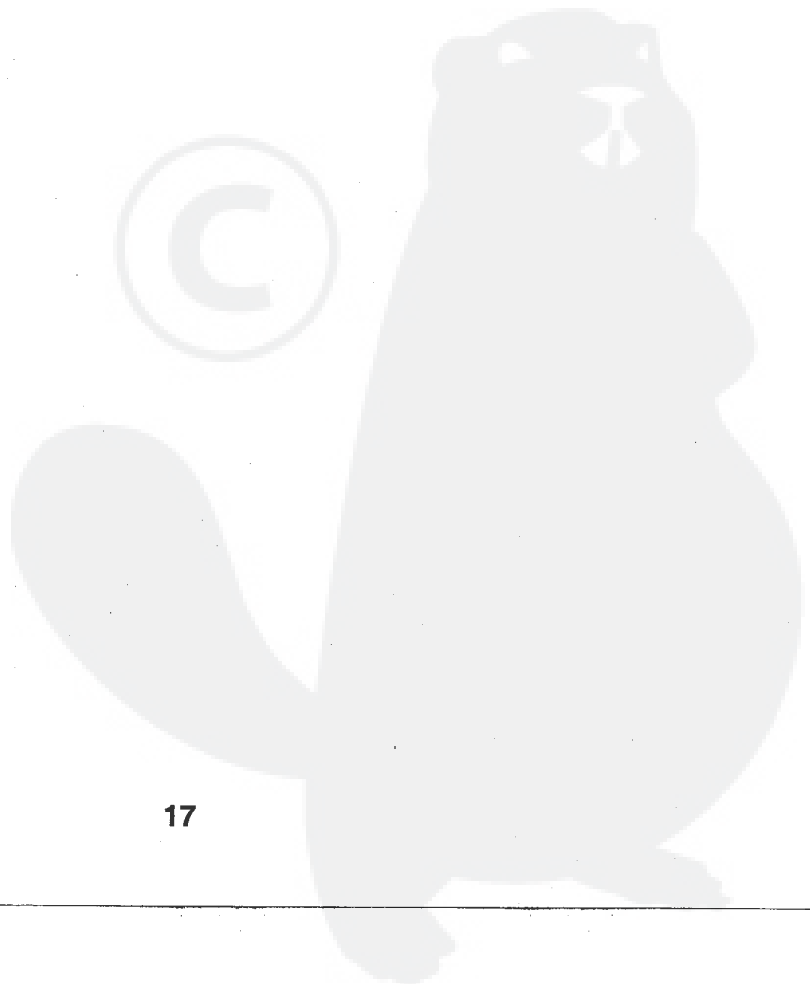
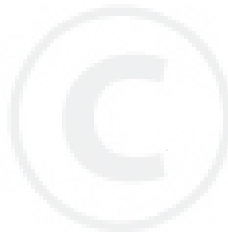
REPAIR PARTS

TRACTOR- -MODEL NO. 917.257240

MOWER LIFT

KEY NO.	PART NO.	DESCRIPTION
1	159460	Wire Asm Inner Spring W/Plunger
2	159471	Shaft Asm. Lift
3	105767X	Pin Groove
4	12000002	E Ring #5133-62
5	19211621	Washer 21/32 x 1 x 21 Ga.
6	120183X	Bearing Nylon
7	125631X	Grip Handle
8	124526	Button Plunger
11	165829	Link Asm Lift L.H.
12	165831	Link Asm Lift R.H.
13	4939M	Retainer Spring
15	173288	Link Front
16	73350800	Nut Jam Hex 1/2-13 unc
17	175689	Trunnion Blk Zinc
18	73800800	Nut Lock w/wsh 1/2-13 unc
19	139868	Arm Suspension Mower
20	194209	Pin Cotter Bow Tie Lock
31	169865	Bearing, Pvt. Lift.
32	73540600	Nut Crownlock 3/8-24

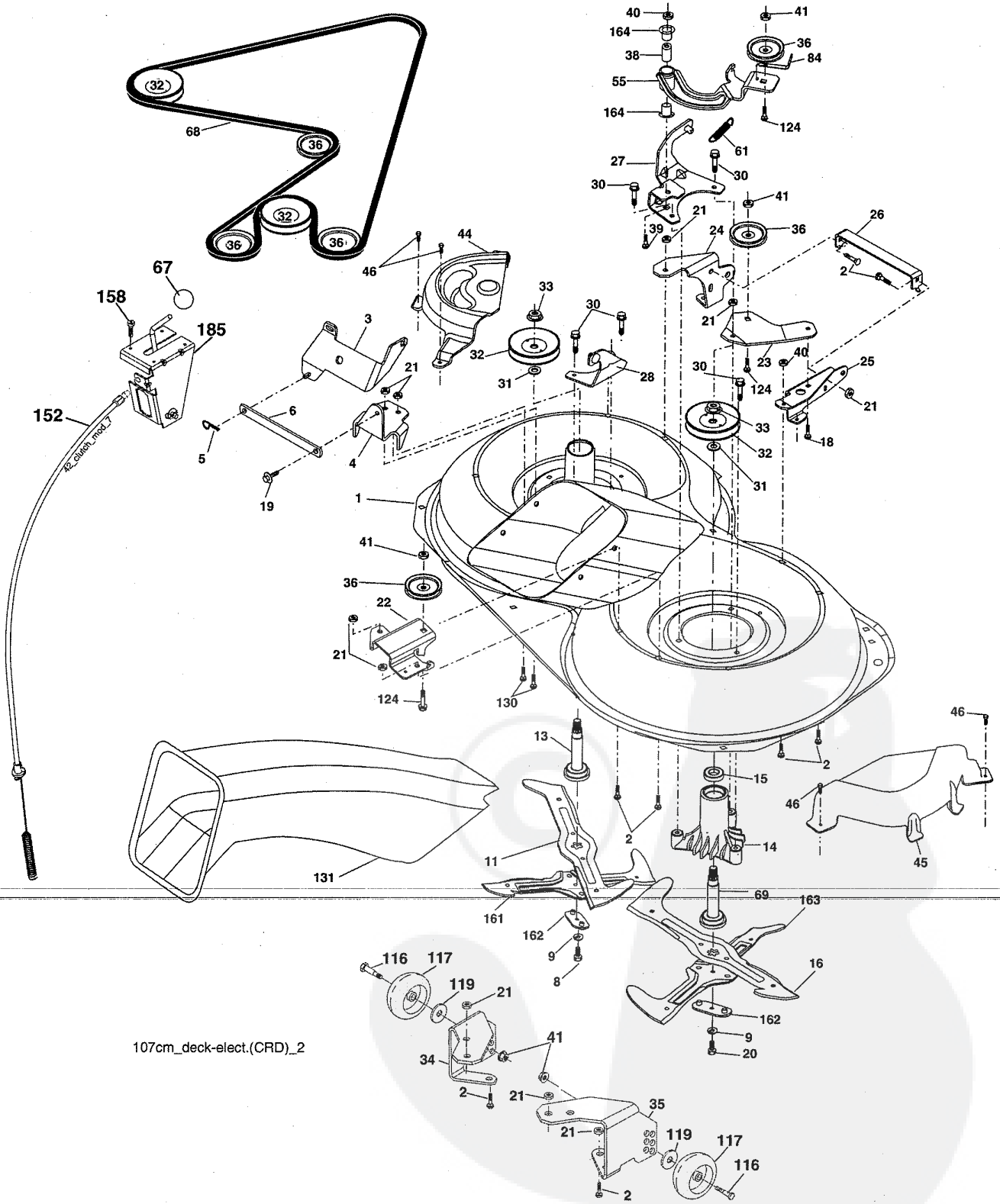
NOTE: All component dimensions given in U.S. inches
1 inch = 25.4 mm



REPAIR PARTS

TRACTOR- -MODEL NO. 917.257240

MOWER



107cm_deck-elect.(CRD)_2

REPAIR PARTS

TRACTOR- -MODEL NO. 917.257240

MOWER

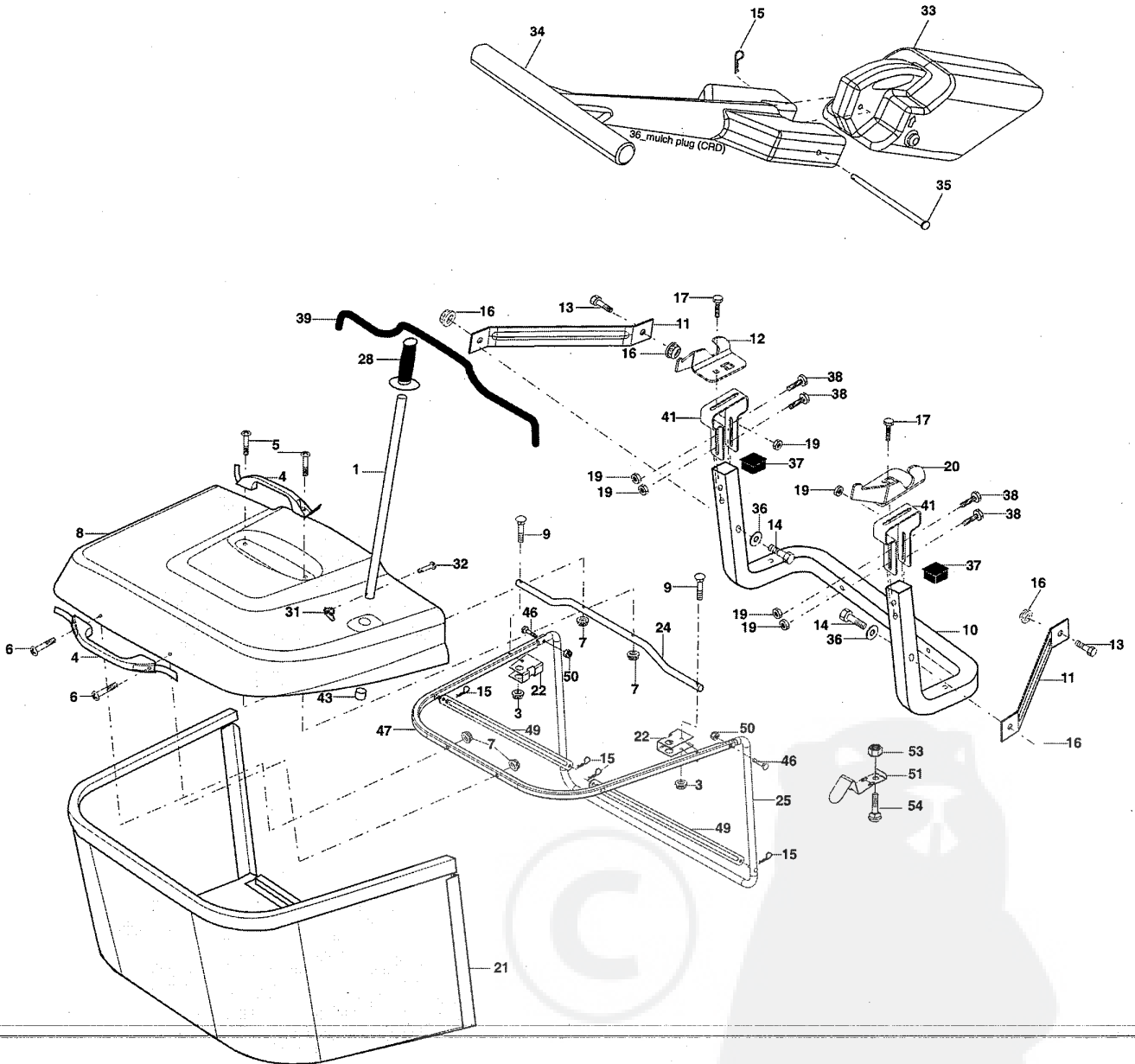
KEY NO.	PART NO.	DESCRIPTION	KEY NO.	PART NO.	DESCRIPTION
1	169160	Housing Asm. Mower	39	72110622	Bolt RhHd 3/8-16 unc x 2-3/4 Gr.5
2	72140506	Bolt Rdhd Sqnk 5/16-18 unc x 3/4	40	73680600	Nut Crownlock 3/8-16 unc
3	165569	Bracket Asm. S-Bar Chass	41	73900600	Nut Flangelock 3/8-16 unc
4	169167	Bracket Bar Sway Deck	44	175538	Cover Mandrel Lh
5	4939M	Retainer Spring	45	175539	Cover Mandrel Rh
6	165557	Bar Sway	46	137729	Screw Thd Roll 1/4-20 x 5/8
8	181712	Bolt 3/8-24 x 1.25 Gr. 8 Patched	55	169849	Arm Idler
9	10030600	Washer Lock Hvy 3/8 Unplated	61	199487	Spring Tension
11	180583	Blade 3-1 Lh	67	106932X	Knob
13	137645	Shaft Asm. W/Lower Bearing	68	402009	Hex-Belt Mower
14	128774	Housing Mandrel Vented (Machd)	69	165482	Shaft Asm W/Lwr Brg Rh Thd CRD
15	110485	Bearing Ball Mandrel	84	156085	Keeper Belt Idler
16	180584	Blade 3-1 Rh	116	193406	Bolt Shoulder
18	72110606	Bolt Rdhd Sqnk 3/8-16 x 3/4 Gr. 5	117	174873	Wheel Gage
19	132827	Bolt Shoulder 5/16-18 Thd Form	119	19132012	Washer 13/32 x 1-1/4 x 12
20	181713	Bolt 3/8-24 x 1.25 Gr. 8 Ptch LHthd	124	72110612	Bolt Carr Sh 3/8-16 x 1-1/2 Gr5
21	73680500	Nut Crown Lock 5/16-18	130	72110506	Bolt Rdhdsqnk 5/16-18 unc x 3/4
22	169165	Bracket Idler Sprt RR	131	165661	Chute Bagger CRD 92cm
23	169166	Bracket Idler Sprt RF	152	176074	Cable Clutch
24	169170	Bracket Suspension LF	158	17720408	Screw 1/4-20 x 1/2
25	400105	Bracket Suspension RF	161	180424	Blade Cross LH 107
26	400110	Brace Support Susp Frt CRD	162	180878	Adapter Weldment Blade 107
27	169172	Bracket Asm. Susp RR	163	180425	Blade Cross RH 107
28	169168	Bracket Asm. Susp LR	164	3366R	Bearing
30	173984	Screw Thd Rolling Dod.PT Hex	185	188234	Head Asm Cable Clutch
31	187690	Washer Spacer Mower Vented	--	181857	Mandrel Asm Service
32	198145	Mandrel Pulleys	--	181858	Mandrel Asm CRD Lh Threads VC
33	400234	Nut Flg Top Lock	--	400325	Replacement Mower Complete
34	400103	Bracket Gauge Wheel Lf			
35	400104	Bracket Gauge Wheel Rf			
36	146763	Pulley Idler V-Groove Dim 4.25			
38	169851	Spacer Hub Arm Idler			

NOTE: All component dimensions given in U.S. inches
1 inch = 25.4 mm

REPAIR PARTS

TRACTOR- -MODEL NO. 917.257240

BAGGER



Bagger Asy (CRD)_14

REPAIR PARTS

TRACTOR- -MODEL NO. 917.257240

BAGGER

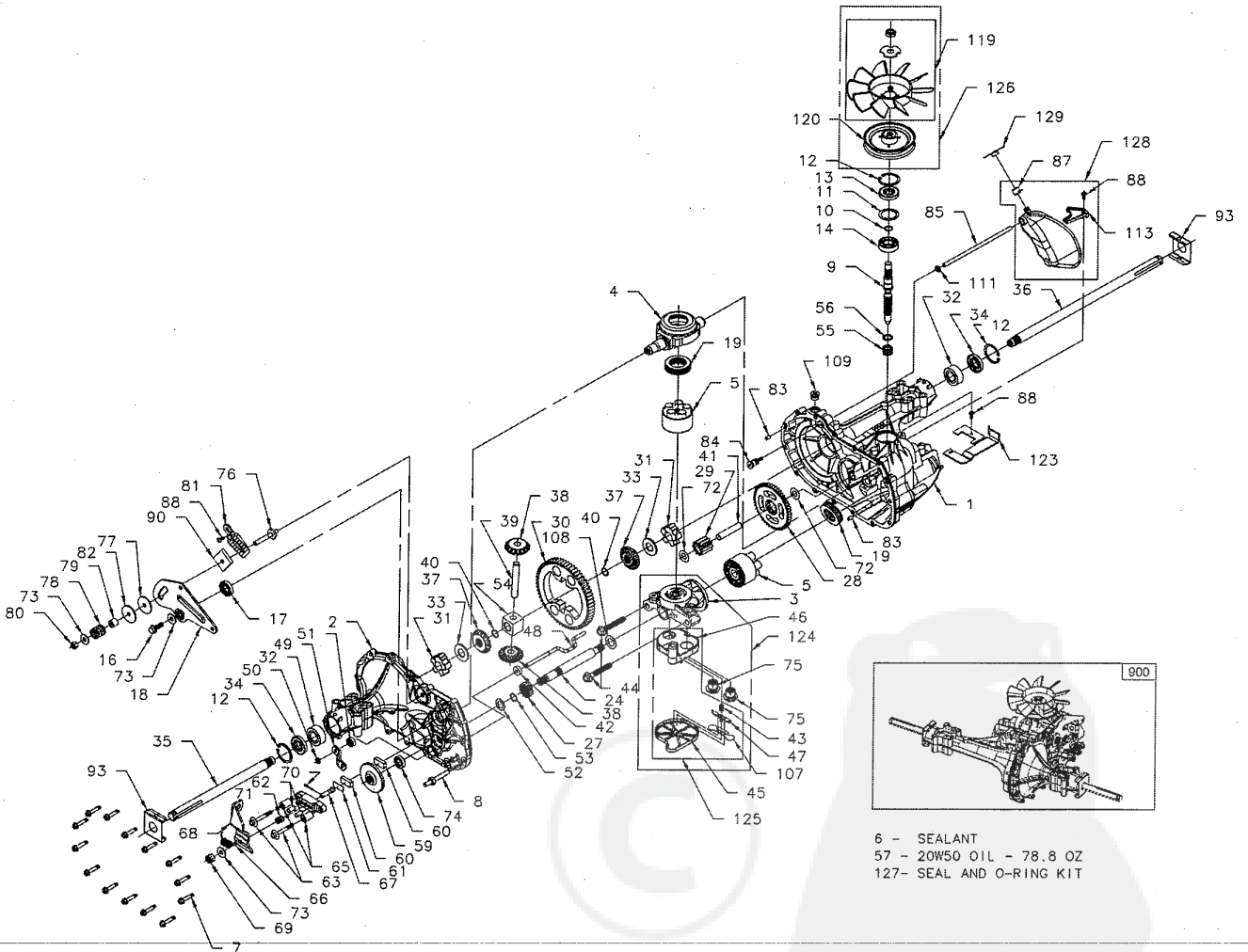
KEY NO.	PART NO.	DESCRIPTION
1	165249	Tube Handle Bagger CRD
3	123976X	Nut Lock 1/4 Lge Flg Gr. 5 Zinc
4	169916	Handle Bagger
5	74981024	Screw Pan Head #10-24 x 1.50 Blk
6	74981032	Screw Pan Hd
7	73401000	Nut Wiz Lock Hex Serr/Hd 10-24
8	169963X613	Cover Bagger Steel CRD
9	72140418	Bolt Carriage 1/4-20 x 2.25d x Gr. 5
10	181282	Tube Support Bagger CRD
11	165719	Bracket Support Upper Bag CRD
12	188848	Bracket Pivot Bagger Lh CRD
13	74760612	Bolt Fin Hex 3/8-16 unc x 3/4
14	74520636	Bolt Fin Hex 3/8-16 x 2-1/4 Gr.5
15	4939M	Retainer Spring
16	73900600	Nut Lock Flg 3/8-16 UNC
17	STD533107	Bolt Rdhd Sht Sqnk 5/16 -18 unc x 3/4
19	73900500	Nut Lock Hex Flange 5/16-18
20	188847	Bracket Bagger RH CRD
21	406180	Bag Asm CRD
22	165781	Bracket Side Bagger CRD
24	165783	Tube Pivot Bagger CRD
25	193705	Tube Front Bagger CRD
28	165787	Grip Handle Black
31	169484	Retainer Clip
32	126875X	Rivet Rd Hd Drilled 3/8 Dia
33	169380	Plug Mulcher
34	165570	Handle Mulcher
35	165572	Pin Mulcher
36	19132012	Washer 13/32 x 1-1/4 x 12 Ga.
37	175401	Plug Support Bagger CRD
38	72010520	Bolt 5/16-18 x 5.20
39	180985	Seal 37"
41	169683	Bracket Vert Adj Bagger CRD
43	174083	Plug Tubing End
46	72110510	Bolt Carr 5/16-18 x 1-1/4 Gr.5
47	193704	Tube Upper
49	193305	Bar Spreader
50	73800500	Nut Lock Hx W/Ins 5/16-18 unc
51	199903	Latch Spring
53	73510400	Nut Keps Hex 1/4-20 unc
54	72140406	Bolt RDHD SQNK 1/4-20 x 3/4 Gr.5

NOTE: All component dimensions given in U.S. inches
1 inch = 25.4 mm

REPAIR PARTS

TRACTOR- -MODEL NO. 917.257240

HYDRO TRANSAXLE - MODEL NUMBER 321-0510



REPAIR PARTS

TRACTOR- -MODEL NO. 917.257240

HYDRO TRANSAXLE - MODEL NUMBER 321-0510

KEY PART NO. NO.	DESCRIPTION	KEY PART NO. NO.	DESCRIPTION
1 170351	Kit, Main Housing Main Housing, Machined Bushing .855 X .985 X .790	47 170399	Actuator, Bypass
2 170352	Kit, Side Housing Side Housing, Machined Bushing .865 X .985 X .790 Bushing .624 X .719 X .562	48 170400	Rod, Bypass Actuator
3 170353	Kit, Center Section Center Section, Machined Bushing .707 X .788 X .591	49 178156	Arm, Bypass
4 170354	Swashplate, Trunnion Machined	50 170402	Retaining Ring .25 External
5 169898	Kit, Cylinder Block (10cc) Block - Cylinder Piston Spring, Compression Washer - Thrust	51 170403	Seal, Lip .741 X .25 X .25
6 178322	Sealant Tube	52 170404	Washer, Flat 0.050" (210-1000)
7 170356	Hexflange Screw 1/4-20 X 1.25	53 170405	Retaining Ring
8 170357	Stud, 5/16-24 Hex Double End	54 170406	Bearing, Center Block
9 170358	Shaft, Input	55 142977	Spring, Helical Compression
10 170359	Retaining Ring	56 142978	Washer, Block Thrust
11 170360	Spacer	57 - - - -	20W-50 0 1 78.80oz
12 169870	Retaining Ring	58 142929	Kit, Brake Yoke
13 170361	Seal, Lip .67 X 1.58 X .276	59 170408	Rotor, Brake
14 173158	Bearing, Ball 6203 (Bdr)	60 142883	Brake Puck
16 170362	Hex Flange Head Screw 1/4-20 X 1.25	-- 142882	Brake Puck Plate
17 170363	Seal, Lip 18 X 32 X 7	62 170409	Pin, Brake Actuating
18 170364	Arm, Control	63 170410	Hfhcs 1/4-20 X 2 W/patch, Special Flange
19 173159	Bearing, Thrust (10cc)	65 170411	Spacer, Brake Torsion Spring
24 170366	Shaft Motor	66 188297	Spring, Brake Arm Bias
27 170367	Gear, Pinion, 13t	67 170413	Bolt, Square Head - Brake
28 170368	10t / 48t Gear	68 178157	Arm, Brake
29 170369	Gear, 10t Jackshaft	69 170415	Nut, Castle 5/16-24
30 170370	60t Bullgear	70 170416	Pin, Cotter 3/32x3/4
31 170371	Sleeve Bearing .75 X 1.75 X .625	71 170417	Brake Spring
32 170389	Sleeve Bearing (Outboard) .75 X 1.575 X .625	72 170418	Washer (310-0750)
33 142991	Washer	73 142884	Washer, Flat
34 170390	Lip Seal, Axle Shaft	74 170419	Seal, Oil
35 170391	Shaft, Axle (Keyed, R.h.)	75 170420	Ass'y Check Plug
36 170392	Shaft, Axle (Keyed, L.h.)	76 170421	Bolt, Stud 5/16-24
37 150792	Gear, Splined Diff. (210-1000 & 310- 0750)	77 170422	Puck, Friction
38 150793	Gear, Miter Diff. (210-1000 & 310-0750)	78 142969	Spring
39 150809	Differential Shaft (310-0750)	79 142980	Spacer
40 170393	Retaining Ring	80 150778	Nut, Nylon Insert Hex Lock 5/16-24
41 170394	Pin, Jackshaft	81 170423	Wedge, Friction
42 170395	Magnet, Ring	82 170424	Clip, Washer
43 170396	Spring, Bypass	83 161168	Pin
44 150797	Bolt 3/8-24 X 2-1/2	84 170425	Fitting, 5/16 X Sae 5/32 Tube
45 170397	Filter	85 170426	Hose, Expansion Tank
46 170398	Base, Filter	87 173160	Cap, Vent
		88 178334	Bolt, Self Tapping (BDR)
		90 170430	Puck, Inner Wedge
		91 170431	Spring Clip, Housing
		107 170432	Deflector
		108 170433	Washer, Motor Shaft .71id X 1.15od X .03 Thick
		109 170434	Plug, Straight Thread 9/16-18
		111 170435	O-ring .7 X .301 Id
		113 170437	Bracket, Support Expansion Tank
		119 191031	Kit, Fan - Washer - Nut Washer, Od Slotted .53 X 1.63 X .06 Hex Lock Nut 1/2-20 (Nylon Insert) Fan 7"

REPAIR PARTS

TRACTOR- -MODEL NO. 917.257240

HYDRO TRANSAXLE - MODEL NUMBER 321-0510

KEY PART

NO. NO.

DESCRIPTION

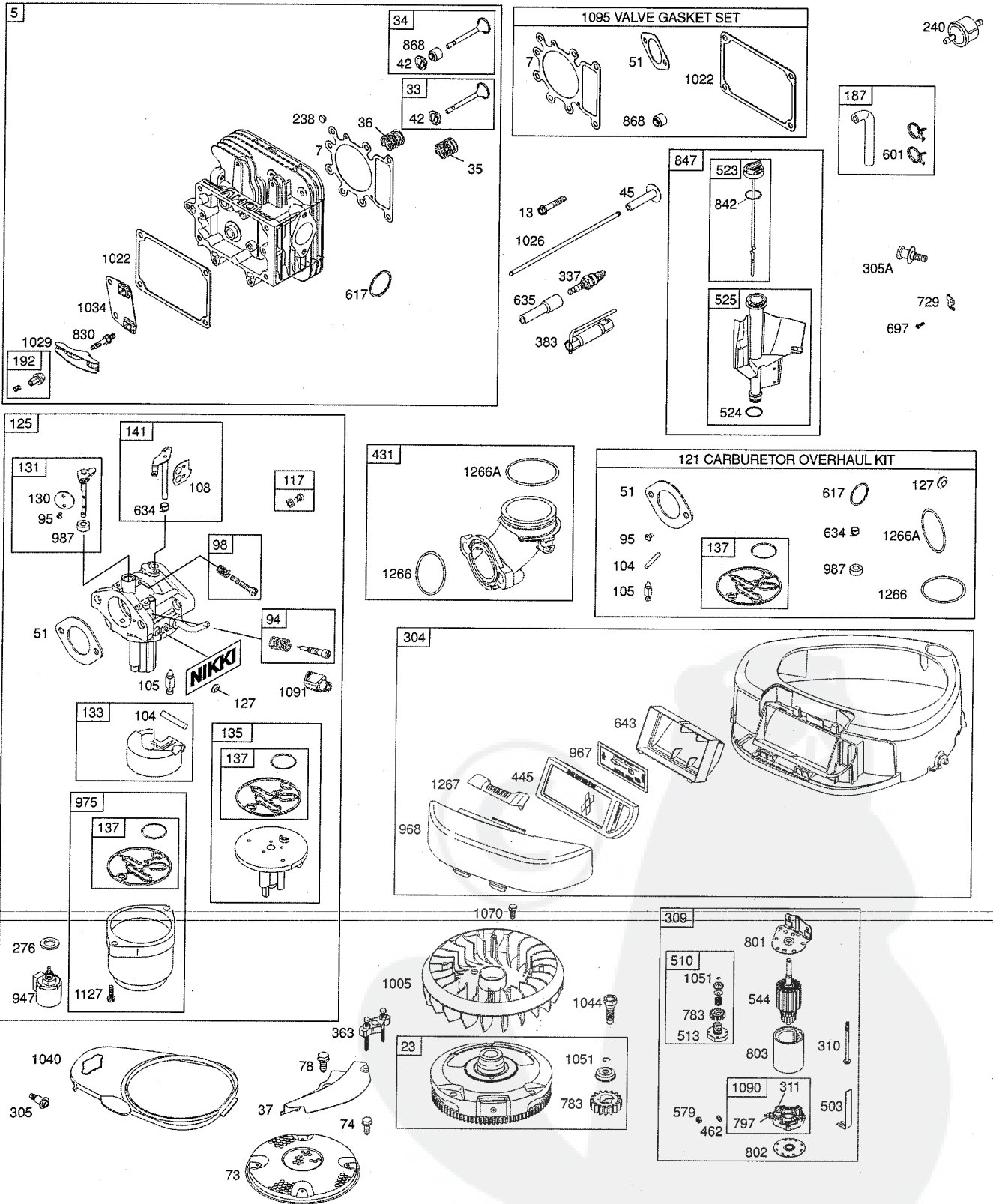
120	178159	Pulley
123	178160	Bracket, Belt Keeper
124	191033	Kit, Centersection, Filter Bypass Center Section Machining Base Filter W/ Poppet Check Plug Assembly, .027 Washer Spring, Bypass Actuator, Bypass Deflector Bottom, Filter Bushing, .707 X .788 X .591
125	170445	Kit, Filter Bottom, Filter Base, Filter W/ Poppet Spring, Bypass Actuator, Bypass Deflector
126	191029	Kit, Fan/pulley Hex Jam 1/20-20 (Nylon Insert) Washer, OD Slotted, .53 X 1.53 X .06 Fan, 7 In Pulley
127	170447	Kit, Seal Lip Seal .67 X 1.58 X .276 Lip Seal 18 X 32 X 7 Lip Seal .706 X 1.584 X .25 Lip Seal .741 X .250 X .250 Tc Oil Seal .625 X 1.0 X .25 O-ring .07 X .301 ID
128	173165	Kit, Expansion Tank Tank, Expansion Assembly Cap, Vent Vsbolt, Self Tapping 10-32 X 1/2 Bracket, Support Expansion Tank
129	191032	Cap, Expansion Tank Shipping
900	170061	Transaxle

NOTE: All component dimensions given in U.S. inches
1 inch = 25.4 mm

REPAIR PARTS

TRACTOR- -MODEL NO. 917.257240

BRIGGS & STRATTON ENGINE - - MODEL NUMBER 31P977, TYPE NUMBER 0881-B1



REPAIR PARTS

TRACTOR- -MODEL NO. 917.257240

BRIGGS & STRATTON ENGINE - - MODEL NUMBER 31P977, TYPE NUMBER 0881-B1

KEY NO.	PART NO.	DESCRIPTION	KEY NO.	PART NO.	DESCRIPTION
1	793987	Cylinder Assembly	216	691840	Link-Choke
2	399265	Kit-Bushing/Seal (Magneto Side)	222	694042	Bracket-Control
3	391086s*	Seal-Oil (Magneto Side)	227	691374	Lever-Governor Control
4	697188	Sump-Engine	232	691842	Spring-Governor
5	793991	Head-Cylinder	238	691843	Cap-Valve
7	699168 +	Gasket-Cylinder Head	240	394358s	Filter-Fuel
9	697109 •	Gasket-Breather	265	691024	Clamp-Casing
11	697113	Tube-Breather	267	792629	Screw (Casing Clamp)
12	697110 •	Gasket-Crankcase	276	695410 Ø	Washer-Sealing
13	793988	Screw (Cylinder Head)	304	698599	Housing-Blower
15	690946	Plug-Oil Drain	305	697102	Screw (Blower Housing)
16	697127	Crankshaft	305A	793376	Screw (Blower Housing)
20	791892 •	Seal-Oil (PTO Side)	306	697107	Shield-Cylinder
22	692125	Screw (Crankcase Cover/Sump)	307	691003	Screw (Cylinder Shield)
23	693557	Flywheel	309	693551	Motor-Starter
24	222698s	Key-Flywheel	310	690323	Bolt (Starter Motor)
25	791937	Piston Assembly (Standard)	311	497608	Brush Set
	793019	Piston Assembly (.020" Oversize)	333	492341	Armature-Magneto
26	791936	Ring Set (Standard)	334	691061	Screw (Magneto Armature)
	792649	Ring Set (.020" Oversize)	337	691043	Plug-Spark
27	698469	Lock-Piston Pin	358	697191	Gasket Set-Engine
28	697099	Pin-Piston	363	19203	Flywheel Puller
29	791631	Rod-Connecting	383	89838s	Wrench-Spark Plug
32	791118	Screw (Connecting Rod)	404	691691	Washer (Governor Crank)
33	791934	Valve-Exhaust	415	690283	Plug
34	791935	Valve-Intake	431	697122	Elbow-Intake
35	691279	Spring-Valve (Intake)	445	698083	Filter-Air Cleaner Cartridge
36	691279	Spring-Valve (Exhaust)	462	691261	Washer (Starter Cable)
37	697352	Guard-Flywheel	474	696459	Alternator
42	499586	Retainer-Valve	503	691532	Strap-Starter
43	691968	Slinger-Governor/Oil	505	691251	Nut (Governor Control Lever)
45	690564	Tappet-Valve	510	693699	Drive-Starter
46	793880	Camshaft	513	692024	Clutch-Drive
48	697762	Short Block	523	699908	Dipstick
50	690193	Manifold-Intake	524	691032 •	Seal-Dipstick Tube
51	692137 •Ø+	Gasket-Intake	525	697184	Tube-Dipstick
53	690227	Stud (Carburetor)	544		Starter-Armature (For service order complete Starter Motor, reference 309)
54	691148	Screw (Intake Manifold)			
73	697133	Screen-Rotating	552	697144	Bushing-Governor Crank
74	697897	Screw (Rotating Screen)	559	697561	Screw (Remote Choke Stop)
78	691003	Screw (Flywheel Guard)	559A	693675	Screw (Remote Choke Stop)
94	793610	Kit-Idle Mixture	562	691119	Bolt (Governor Control Lever)
95	690718 Ø	Screw (Throttle Valve)	579	691029	Nut (Starter Cable)
98	695408	Kit-Idle Speed	584	697112	Cover-Breather Passage
104	694918 Ø	Pin-Float Hinge	601	791850	Clamp-Hose
105	696136 Ø	Valve-Float Needle	614	691620	Pin-Cotter
108	695419	Valve-Choke	616	692012	Crank-Governor
117	792296	Jet-Main (Standard)	617	692138 Ø •	Seal-O Ring (Intake Manifold)
121	792369	Kit-Carburetor Overhaul	634	698779 Ø	Spring/Seal Assembly (Choke A Matic)
125	792768	Carburetor	635	691909	Boot-Spark Plug
127	690727 Ø	Plug-Welch	643	698401	Retainer-Air Filter
130	792747	Valve-Throttle	654	690958	Nut (Carburetor)
131	792765	Kit-Throttle Shaft			
133	694914	Floater-Carburetor			
135	698780	Tube-Fuel Transfer			
137	698781 Ø	Gasket-Floater Bowl			
141	792777	Kit-Choke Shaft			
146	691639	Key-Timing			
187	791805	Line-Fuel			
188	691693	Screw (Control Bracket)			
192	691986	Adjuster-Rocker Arm			
202	691841	Link-Mechanical Governor			
209	692208	Spring-Governor			

- Included in Engine Gasket Set, Key. No. 358
- Ø Included in Carburetor Overhaul Kit, Key. No. 121
- + Included in Valve Gasket Set, Key. No. 1095

NOTE: All component dimensions given in U.S. inches 1 inch = 25.4 mm

REPAIR PARTS

TRACTOR- -MODEL NO. 917.257240

BRIGGS & STRATTON ENGINE - - MODEL NUMBER 31P977, TYPE NUMBER 0881-B1

KEY NO.	PART NO.	DESCRIPTION	KEY NO.	PART NO.	DESCRIPTION
684	697157	Screw (Breather Passage Cover)	1029	691751	Arm-Rocker
691	692407 •	Seal-Governor Shaft	1034	690822	Guide-Push Rod
697	690372	Screw (Drive Cap)	1035	693784	Shaft-Pump
718	690959	Pin-Locating	1036		Label-Emissions (Available from a Briggs & Stratton authorized Service Dealer)
729	691224	Clip-Wire	1040	699852	Plate-Trim
741	697128	Gear-Timing	1044	698139	Screw (Flywheel)
750	790832	Screw (Oil Pump Cover)	1051	691265	Ring-Retaining
757	793242	Link-Counterweight	1058	276344	Operator's Manual
758	697134	Counterweight	1059	698516	Kit-Screw/Washer
759	697392	Pin-Counterweight	1070	690372	Screw (Flywheel Fan)
783	693713	Gear-Pinion	1090	691293	Retainer-Brush
789	698329	Harness-Wiring	1091	691333	Cap-Limiter
797	693167	Nut (Brush Retainer)	1095	690190	Gasket Set-Valve
801	691283	Cap-Drive	1119	691183	Screw (Alternator)
802	691286	Cap-End	1127	695407	Screw (Float Bowl)
803		Housing-Starter (For service order complete Starter Motor reference 309)	1263	697124	Reed-Breather
830	691095	Stud (Rocker Arm)	1264	697104	Screw (Breather Reed)
842	691031 •	Seal-O Ring (Dipstick Tube)	1266	691917 •Ø	Seal-O Ring (Intake Elbow)
847	790442	Dipstick/Tube Assembly	1266A697123 Ø		Seal-O Ring (Intake Elbow)
851	692424	Terminal-Spark Plug	1267	697419	Latch-Blower Housing
868	690968 •+	Seal-Valve	1270	793243	Plug-AVS Counterweight
877	393456	Wire/Connector-Alternator	1329	31P977-0036	Replacement Engine (Transfer the speed limiter control assembly to the replacement engine. Transfer governor spring to the replacement engine. Remove 691840.)
914	691108	Screw (Rocker Cover)	1330	272147	Repair Manual
943	690589 •	Seal-O Ring (Oil Pump Cover)			
947	699915	Solenoid-Fuel			
965	499613	Cover-Oil Pump			
967	697015	Filter-Pre Cleaner			
968	698403	Cover-Air Cleaner			
975	699502	Bowl-Float			
987	698777 Ø	Seal-Throttle Shaft			
1005	699043	Fan-Flywheel			
1017	690770	Screen-Oil Pump			
1022	272475s•+	Gasket-Rocker Cover			
1023	791079	Cover-Rocker Arm			
1024	499054	Pump-Oil			
1026	692003	Rod-Push (Intake)			
	692011	Rod-Push (Exhaust)			
1027	492932s	Filter-Oil			

- Included in Engine Gasket Set, Key. No. 358
- Ø Included in Carburetor Overhaul Kit, Key. No. 121
- + Included in Valve Gasket Set, Key. No. 1095

NOTE: All component dimensions given in U.S. inches 1 inch = 25.4 mm

LIMITED WARRANTY ON CRAFTSMAN RIDING EQUIPMENT

For two (2) years from the date of purchase, if this Craftsman Riding Equipment is maintained, lubricated and tuned up according to the instructions in the owner's manual, Sears will repair or replace free of charge any parts that are found to be defective in material or workmanship according to the guidelines of coverage listed below. Sears will also provide free labor for these applicable warranted parts for the two full years. During the first 30 days of purchase, there will be no charges to service the product at your home for issues covered by this warranty. (See exclusions below). For your convenience, IN HOME warranty service will still be available after the first 30 days of purchase, but a trip charge will apply. This charge will be waived if the Craftsman product is dropped off at an authorized Sears location. For the nearest authorized Sears location, please call 1-800-4-MY-HOME®. This warranty applies only while this product is within the United States.

This Warranty does not cover:

- Expendable items which become worn during normal use, including but not limited to blades, spark plugs, air cleaners, belts, and oil filters.
- Standard Maintenance Servicing, oil changes, or tune-ups
- Tire replacement or repair caused by punctures from outside objects, such as nails, thorns, stumps, or glass.
- Repairs necessary because of operator abuse, including but not limited to, damage caused by towing objects beyond the capability of the riding equipment, impacting objects that bend the frame or crankshaft, or over-speeding the engine.
- Repairs necessary because of operator negligence, including but not limited to, electrical and mechanical damage caused by improper storage, failure to use the proper grade and amount of engine oil, failure to keep the deck clear of flammable debris, or failure to maintain the equipment according to the instructions contained in the owner's manual.
- Engine (fuel system) cleaning or repairs caused by fuel determined to be contaminated or oxidized (stale). In general, fuel should be used within 30 days of its purchase date.
- Normal deterioration and wear of the exterior finishes, or product label replacement.
- Riding equipment used for commercial or rental purposes.

LIMITED WARRANTY ON BATTERY

For ninety (90) days from date of purchase, if any battery included with this riding equipment proves defective in material or workmanship and our testing determines the battery will not hold a charge, Sears will replace the battery at no charge. During the first 30 days of purchase, there will be no charges to replace the battery at your HOME. After the first 30 days, for your convenience, IN-HOME warranty service will still be available but a trip charge will apply. This charge will be waived if the Craftsman product is dropped off at an authorized Sears location. For the nearest authorized Sears location, please call 1-800-4-MY-HOME®.

This battery warranty applies only while this product is within the United States.

This warranty gives you specific legal rights, and you may also have other rights, which vary, from state to state.

Sears, Roebuck and Co., Dept. 817WA, Hoffman Estates, IL 60179



CRAFTSMAN®