

REPAIR PARTS MANUAL
MODEL NO. 277500
Lawn Tractor

CRAFTSMAN®

HOW TO USE THIS MANUAL

This manual is designed to provide the customer with a means to identify the parts on his/her tractor when ordering repair parts. The illustrations may or may not represent the actual assemblies; therefore, it is not recommended to use this manual as a guide to assemble or disassemble the tractor. Some hardware and parts are drawn larger in order to more readily identify them.

Each tractor has its own model number.

The model number for your tractor can be found on the fender under the seat.

When ordering parts, always give the following information:

- Product - "Tractor"
- Model Number - "277500"
- Part Number
- Part Description

TABLE OF CONTENTS

| | |
|------------------------------|--------------|
| SCHEMATIC | 3 |
| ELECTRICAL..... | 4-5 |
| CHASSIS..... | 6-7 |
| DRIVE..... | 8-9 |
| STEERING | 10-11 |
| SEAT | 12 |
| DECALS..... | 13 |
| ENGINE..... | 14 |
| MOWER LIFT | 15 |
| MOWER DECK | 16-17 |
| TRANSAXLE..... | 18-19 |
| ENGINE BREAKDOWN..... | 20-23 |
| WARRANTY | 24 |

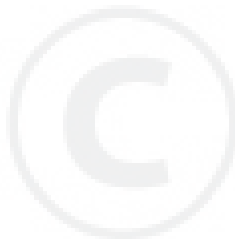
REPAIR PARTS

TRACTOR- -MODEL NO. 917. 277500

ELECTRICAL

| KEY NO. | PART NO. | DESCRIPTION |
|---------|----------|------------------------------------|
| 1 | 163465 | Battery |
| 2 | 74760412 | Bolt Hex Hd 1/4-20 unc x 3/4 |
| 8 | 176689 | Box Battery |
| 16 | 176138 | Switch, Interlock |
| 21 | 183759 | Harness Asm Light W/4152j |
| 22 | 4152J | Bulb Light #1156 |
| 24 | 4799J | Cable Battery 6 Ga. 11" red |
| 25 | 146147 | Cable Battery |
| 26 | 175158 | Fuse |
| 27 | 73510400 | Nut Keps Hex 1/4-20 Unc |
| 28 | 4207J | Cable Ground 6 Ga. 12" black |
| 29 | 121305X | Switch Seat |
| 30 | 175556 | Switch Ign |
| 33 | 140403 | Key Ign |
| 40 | 179720 | Harness Ign |
| 41 | 71110408 | Bolt Blk. Fin Hex 1/4-20 unc x 1/2 |
| 42 | 131563 | Cover Terminal Red |
| 43 | 192507 | Solenoid |
| 48 | 140844 | Adapter Ammeter |
| 52 | 141940 | Protection Wire Loop |
| 90 | 180449 | Cover Terminal |

NOTE: All component dimensions give in U.S. inches
1 inch = 25.4 mm



REPAIR PARTS

TRACTOR- -MODEL NO. 917. 277500

CHASSIS AND ENCLOSURES

| KEY NO. | PART NO. | DESCRIPTION |
|---------|------------|---|
| 1 | 174619 | Chassis |
| 2 | 176554 | Drawbar |
| 5 | 155272 | Bumper Hood/Dash |
| 9 | 193510X013 | Dash |
| 10 | STD533710 | Bolt, Carriage 3/8-16 x 3/4 |
| 11 | 174996 | Panel, Dash, L.H. |
| 13 | 172105X010 | Panel, Dash, R.H. |
| 14 | 17490608 | Screw Thdrol 3/8-16 x 1/2 |
| 17 | 185682X613 | Hood Assembly |
| 18 | 184921 | Bumper Hood |
| 24 | STD523710 | Bolt Fin. Hex 3/8-16 x 1 |
| 25 | 19131312 | Washer 13/32 x 13/16 x 12 Ga. |
| 26 | STD541437 | Nut |
| 28 | 193258 | Grille/Lens Asm. (Includes Key Nos. 29 and 212) |
| 29 | 174332X599 | Lens |
| 30 | 192526X613 | Fender |
| 31 | 136619 | Bracket, Fender Support |
| 33 | 179716X613 | Footrest LH |
| 34 | 179717X613 | Footrest RH |
| 35 | STD533707 | Bolt Rdhd Sht Sqnk 3/8-16 x 3/4 |
| 37 | 17490508 | Screw Thdrol 5/16-18 x 1/2 |
| 38 | 175710 | Pivot Bracket Assembly, Rear |
| 39 | 174714 | Bracket Pivot Laser Lt |
| 64 | 154798 | Dash Lower STLT |
| 142 | 175702 | Plate Reinforcement STLT |
| 145 | 156524 | Rod Pivot Chassis/Hood |
| 206 | 170165 | Bolt Shoulder 5/16-18 TT |
| 207 | 17670508 | Screw Thdrol 5/16-18 x 1/2 Tytt |
| 208 | 17670608 | Screw Thdrol 3/8-16 x 1/2 |
| 209 | 17000612 | Screw Hexwsh Thdr 3/8-16 x 3/4 |
| 212 | 175143 | Insert Lens Reflective |
| 278 | 191611 | Screw 10 x 3/4 Single Lead-Hex |
| -- | 5479J | Plug, Button |
| -- | 187801 | Plug Plastic Dome |
| -- | 193640X428 | Plug Switch Light |

NOTE: All component dimensions given in U.S. inches
1 inch = 25.4 mm

REPAIR PARTS

TRACTOR- -MODEL NO. 917. 277500

DRIVE

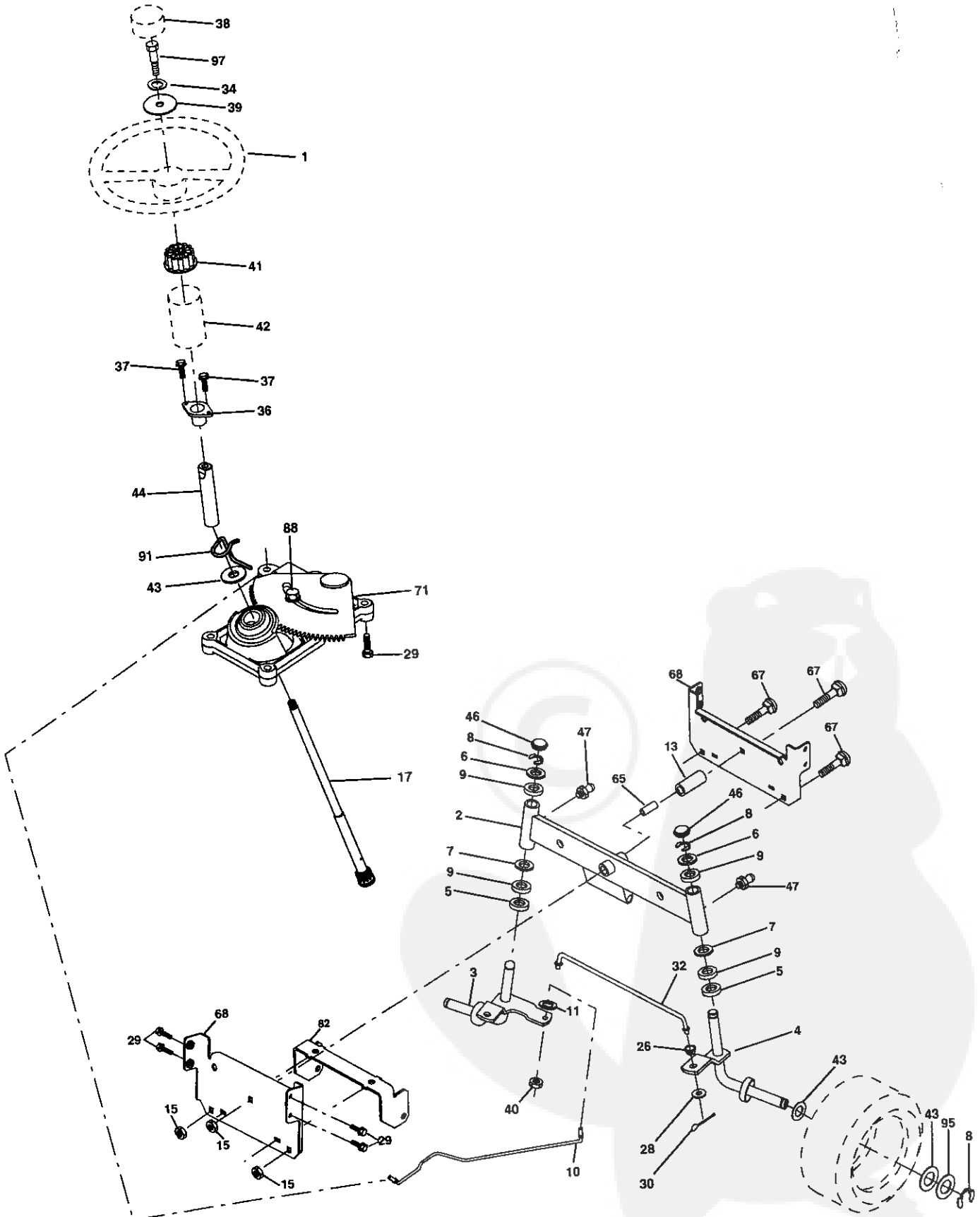
| KEY NO. | PART NO. | DESCRIPTION | KEY NO. | PART NO. | DESCRIPTION |
|---------|-----------|---|---------|------------|-----------------------------------|
| 1 | ----- | Transaxle Peerless LTH2000 (See Breakdown) | 70 | 180218 | Keeper Belt Engine |
| 8 | 192706 | Rod Shift Fender | 74 | 137057 | Spacer |
| 10 | STD561210 | Pin Cotter 1/8 x 1 CAD | 75 | 121749X | Washer 25/32 x 1-1/4 x 16 Ga. |
| 14 | 10040400 | Washer Lock Hvy Helical | 76 | STD581075 | E-Ring |
| 15 | 74490544 | Bolt Hex FLGHD 5/16-18 Gr.5 | 77 | 123583X | Key, Square |
| 16 | STD541431 | Nut Lock Hex W/Ins. 5/16-18 unc | 78 | 121748X | Washer 25/32 x 1-5/8 x 16 Ga. |
| 19 | STD541437 | Nut Lock Hex W/Wsh 3/8-16 unc | 81 | 178140 | Shaft Asm Cross Tapered |
| 21 | 130564 | Knob | 82 | 165711 | Spring Torsion |
| 22 | 178141 | Rod, Brake | 83 | 19171216 | Washer 17/32 x 3/4 x 16 Ga. |
| 24 | 73350600 | Nut, Hex Jam 3/8-16 unc | 85 | 150360 | Nut Lock Center 1/4-28 FNTHD |
| 25 | 106888X | Spring, Brake Rod | 89 | 192056X428 | Console, Shift |
| 27 | STD561210 | Pin Cotter 1/8 x 3/4 CAD. | 95 | 178134 | Disconnect Asm Rod Bypas LTH |
| 28 | 175765 | Rod, Parking Brake | 112 | 19091210 | Washer 9/32 x 3/4 x 10 Ga. |
| 29 | 71673 | Cap, Parking Brake | 116 | 72140608 | Bolt Rdhd Sqneck 3/8-16 x 1 |
| 30 | 174973 | Bracket, Transaxle | 120 | 73900600 | Nut Lock Flg 3/8-16 |
| 32 | 74760512 | Bolt Hex Hd 5/16-18 unc x 3/4 | 150 | 175456 | Spacer Retainer |
| 34 | 175578 | Shaft, Foot Pedal | 151 | 19133210 | Washer 13/32 x 2 x 10 Ga. |
| 35 | 120183X | Bearing, Nylon | 156 | 166002 | Washer Srrted 5/16 ID x 1.125 |
| 36 | 19211616 | Washer | 158 | 165589 | Bracket Shift Mount |
| 37 | 1572H | Pin, Roll | 159 | 183900 | Hub Shift |
| 38 | 179114 | Pulley, Composite | 161 | 72140406 | Bolt Rdhd Sqnk 1/4-20 x 3/4 Gr. 5 |
| 39 | 72110622 | Bolt Rdhd 3/8-16 unc x 2-3/4 Gr. 5 | 162 | 73680400 | Nut Crownlock 1/4-20 unc |
| 41 | 175556 | Keeper, Belt Idler | 163 | 74780416 | Bolt Hex Fin 1/4-20 unc x 1 Gr. 5 |
| 47 | 127783 | Pulley, Idler, V-Groove | 165 | 165623 | Bracket Pivot Lever |
| 48 | 154407 | Bellcrank, Clutch | 166 | 17490510 | Screw 5/16-18 x 5/8 |
| 49 | 123205X | Retainer, Belt | 168 | 165492 | Bolt Shoulder 5/16-18 x .561 |
| 50 | 72110612 | Bolt Carr Sh 3/8-16 x 1-1/2 Gr 5 | 169 | 165580 | Plate Fastening |
| 51 | STD541437 | Nut Crownlock 3/8-16 unc | 197 | 169613 | Nyliner Snap-In 5/8"ID |
| 52 | STD541431 | Nut, Crownlock 5/16-18 unc | 202 | 72110614 | Bolt Carr Sh 3/8-16 x 1-3/4 Gr.5 |
| 53 | 105710X | Link, Clutch | 207 | 169593 | Washer Nyl |
| 55 | 105709X | Spring, Return, Clutch | 212 | 145212 | Nut Hex Flange Lock |
| 56 | 17060620 | Screw 3/8-16 x 1-1/4 | 245 | 178122 | Strap Torque Lh LTH2000 |
| 57 | 178138 | V-Belt | 246 | 178121 | Strap Torque Rh LTH2000 |
| 59 | 169691 | Keeper, Center Span | 247 | 181463 | Link Shift Transaxle LTH2000 |
| 61 | 17120614 | Screw 3/8-16 x .875 | 251 | 17060516 | Screw 5/16-18 x 1 |
| 62 | 8883R | Cover, Pedal | 252 | 19131616 | Washer 13/32 x 1 x 16 Ga. |
| 63 | 180219 | Pulley, Engine | 263 | 17000612 | Screw Hex Wsh Thdr 3/8-16 x 3/4 |
| 64 | 173937 | Bolt Hex 7/16-20 x 4 Gr. 5 | 269 | 182402 | Guard Muffler |
| 65 | STD551143 | Washer | 275 | 19131614 | Washer 13/32 x 1 x 14 Ga. |
| 66 | 154778 | Keeper Belt Engine Hydro | | | |
| 69 | 142432 | Screw Hex Wsh Hi-Lo 1/4-1/2 unc | | | |

NOTE: All component dimensions given in U.S. inches
1 inch = 25.4 mm

REPAIR PARTS

TRACTOR- -MODEL NO. 917. 277500

STEERING ASSEMBLY



steering_pl.it_58

REPAIR PARTS

TRACTOR- -MODEL NO. 917. 277500

STEERING ASSEMBLY

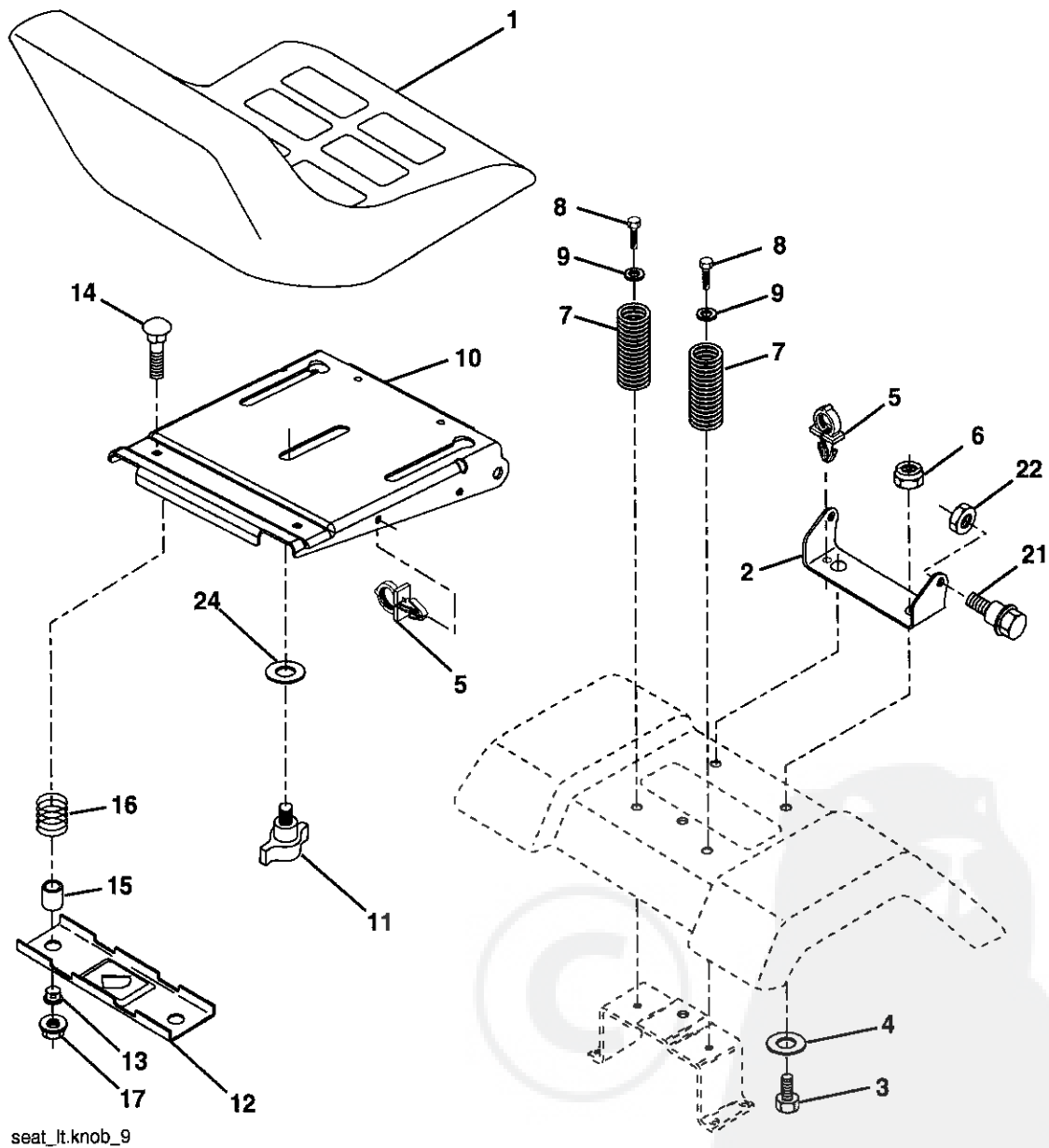
| KEY NO. | PART NO. | DESCRIPTION |
|---------|------------|--------------------------------|
| 1 | 186780 | Steering Wheel |
| 2 | 175131 | Axle Assembly |
| 3 | 169840 | Spindle Assembly, L.H. |
| 4 | 169839 | Spindle Assembly, R.H. |
| 5 | 6266H | Washer Thrust |
| 6 | 121748X | Washer 25/32 x 1-5/8 x 16 Ga. |
| 7 | 19272016 | Washer 27/32 x 1-1/4 x 16 Ga. |
| 8 | 12000029 | Ring, Klip |
| 9 | 3366R | Washer Thrust |
| 10 | 175121 | Draglink |
| 11 | STD551137 | Washer, Lock |
| 13 | 136518 | Spacer Bearing Axle Front |
| 15 | 145212 | Nut, Hex Flange Lock |
| 17 | 190753 | Shaft, Steering |
| 26 | 126847X | Bushing, Link, Drag |
| 28 | 19131416 | Washer 13/32 x 7/8 x 16 Ga. |
| 29 | 17000612 | Screw 3/8-16 x 3/4 |
| 30 | STD561210 | Pin Cotter |
| 32 | 192757 | Rod, Tie |
| 34 | 10040500 | Washer Lock Hvy. Hlcl Spr 5/16 |
| 36 | 155099 | Bushing, Steering |
| 37 | 152927 | Screw |
| 38 | 186781 | Insert, Steering Wheel |
| 39 | 19113812 | Washer 11/32 x 2-3/8 12 Ga. |
| 40 | STD541537 | Nut Lock Center 3/8-24 unf |
| 41 | 186737 | Adaptor, Steering Wheel |
| 42 | 145054X428 | Boot, Steering Shaft |
| 43 | 121749X | Washer 25/32 x 1-1/4 x 16 Ga. |
| 44 | 190752 | Extension Shaft Steering |
| 46 | 121232X | Cap, Spindle |
| 47 | 183226 | Fitting Grease |
| 65 | 160367 | Spacer Brace Axle |
| 67 | 72110618 | Bolt RDHD Sqnk 3/8-16 x 2-1/4 |
| 68 | 169827 | Axle, Brace |
| 71 | 175146 | Steering Asm. |
| 82 | 169835 | Bracket Susp. Chassis Front |
| 88 | 175118 | Bolt Shoulder 7/16-20 unc |
| 91 | 175553 | Clip Steering |
| 95 | 188967 | Washer Hardened |
| 97 | 74780564 | Bolt 5/16-18 unc x 4 Gr. 5 |

NOTE: All component dimensions given in U.S. inches
1 inch = 25.4 mm

REPAIR PARTS

TRACTOR- -MODEL NO. 917. 277500

SEAT ASSEMBLY



seat_ft.knob_9

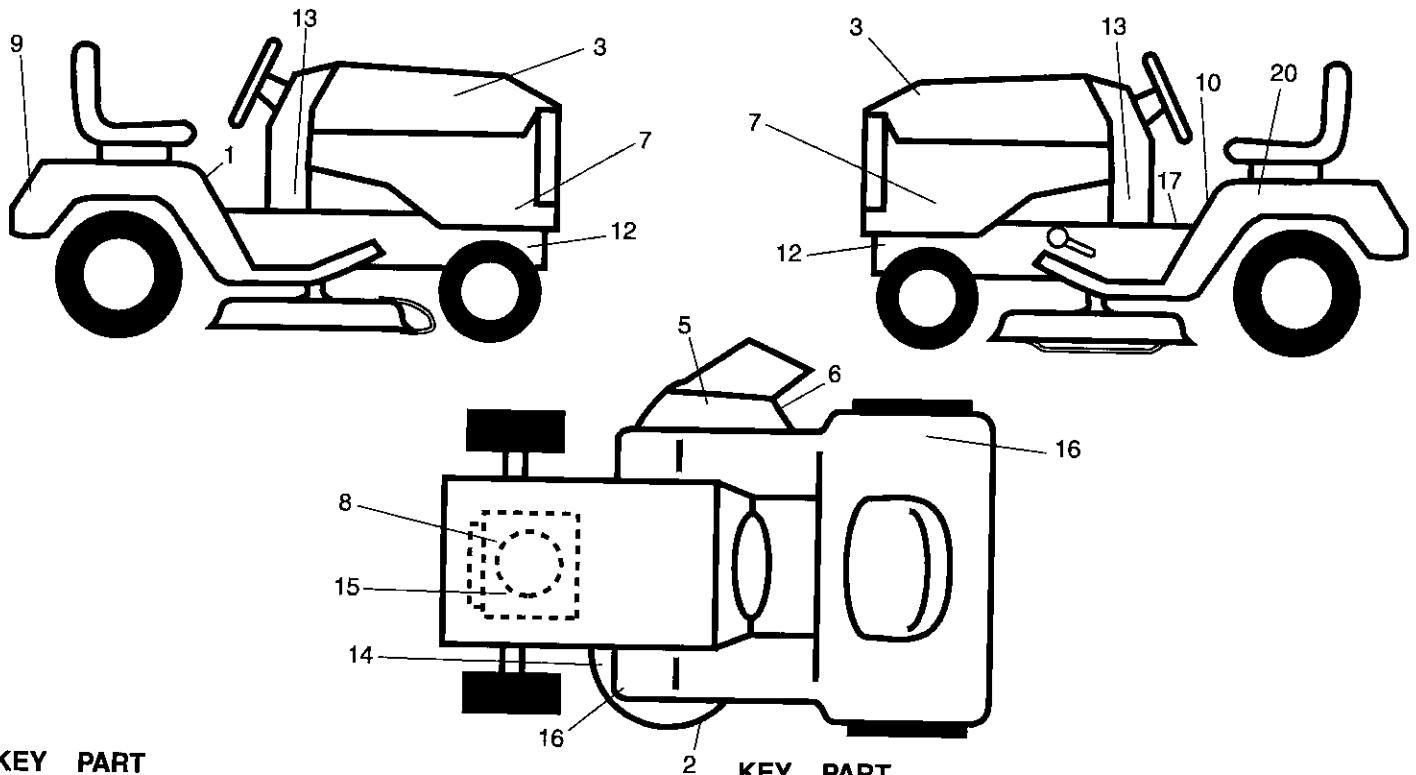
| KEY NO. | PART NO. | DESCRIPTION | KEY NO. | PART NO. | DESCRIPTION |
|---------|-----------|--------------------------------|---------|-----------|---------------------------------|
| 1 | 188716 | Seat | 13 | 121248X | Bushing Snap Blk Nyl 50 Id |
| 2 | 180166 | Bracket Pnt Pivot Seat (blk) | 14 | 72050412 | Bolt Rdhd Sht Nk 1/4-20 x 1-1/2 |
| 3 | 71110616 | Bolt Fin Hex 3/8-16 unc x 1 | 15 | 134300 | Spacer Split 28 x 96 Zinc |
| 4 | 19131610 | Washer 13/32 x 3/4 x 10 Ga. | 16 | 121250X | Spring Cprsn 1 27 Blk Pnt |
| 5 | 145006 | Clip Push In Hinged | 17 | 123976X | Nut Lock 1/4 Lge Flg Gr. 5 Zinc |
| 6 | STD541437 | Nut Hex Lock w/Ins 3/8-16 unc | 21 | 171852 | Bolt Shoulder 5/16-18 unc-2A |
| 7 | 124181X | Spring Seat Cprsn 2 250 Blk Zi | 22 | STD541431 | Nut Hex Lock w/Ins 5/16-18 |
| 8 | 17000616 | Screw 3/8-16 x 1 | 24 | 19171912 | Washer 17/32 x 1-3/16 x 12 Ga. |
| 9 | 19131614 | Washer 13/32 x 1 x 14 Ga. | | | |
| 10 | 180186 | Pan Pnt Seat (blk) | | | |
| 11 | 166369 | Knob Seat Adj Wingnut | | | |
| 12 | 121246X | Bracket Mounting Switch | | | |

NOTE: All component dimensions given in U.S. inches
1 inch = 25.4 mm

REPAIR PARTS

TRACTOR- -MODEL NO. 917. 277500

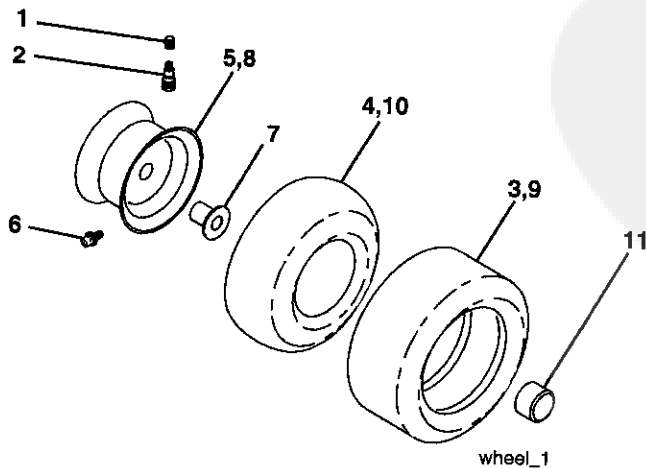
DECALS



| KEY NO. | PART NO. | DESCRIPTION |
|---------|----------|-----------------------------|
| 1 | 140837 | Decal, Saddle Brake Parking |
| 2 | 136832 | Decal, V-Belt Sch. |
| 3 | 196132 | Decal, Hood, R.H. |
| 5 | 182166 | Decal, Cutfinger |
| 6 | 196357 | Decal, Defl. Wrn. Sym |
| 7 | 193545 | Decal, Hood Side |
| 8 | 196841 | Decal, Warning Eng. Sym. |
| 9 | 186282 | Decal, Fender, Craftsman |
| 10 | 159737 | Decal, Clutch/Brake |
| 12 | 159736 | Decal, Chassis Hot Muffler |
| 13 | 189276 | Decal, Dash Panel |
| 14 | 197490 | Decal, V-Belt Schematic |

| KEY NO. | PART NO. | DESCRIPTION |
|---------|------------|-----------------------------|
| 15 | 189244 | Decal, Engine |
| 16 | 180432 | Decal, Fender DB/CE |
| 17 | 145498 | Decal, Read Owner's Manual |
| 20 | 145005 | Decal, Battery Dngr/Psn Eng |
| -- | 138311 | Decal, Lift Handle |
| -- | 178392 | Decal, Disconnect |
| -- | 162598 | Decal, Load Limit |
| -- | 179768X428 | Pad, Footrest LH STLT |
| -- | 179769X428 | Pad, Footrest RH STLT |
| -- | 197570 | Manual, Operator's (Euro) |
| -- | 197571 | Manual, Operator's (Scand) |
| -- | 197572 | Manual, Parts |

WHEELS & TIRES



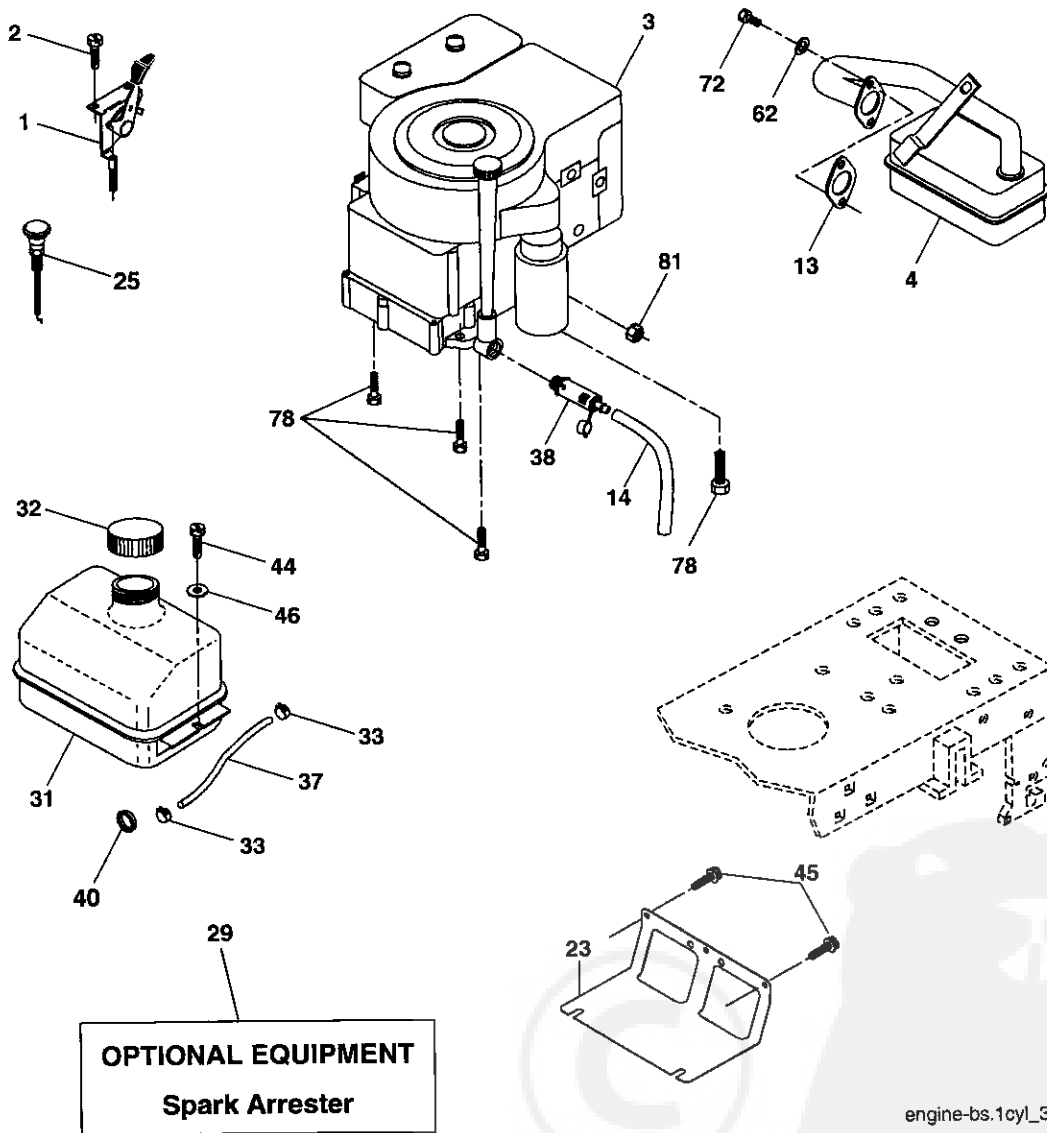
| KEY NO. | PART NO. | DESCRIPTION |
|---------|------------|--------------------------------|
| 1 | 59192 | Cap Value Tire |
| 2 | 65139 | Stem Value |
| 3 | 106222X | Tire F Ts 15 x 6.0 - 6 Service |
| 4 | 59904 | Tube Inner Front #35060 |
| 5 | 106732X624 | Rim Asm 6" front White Service |
| 6 | 278H | Fitting Grease |
| 7 | 9040H | Bearing Flange |
| 8 | 106108X624 | Rim Asm 8" rear White Service |
| 9 | 124635X | Tire R Ts 18 x 8 5-8 Service |
| 10 | 7152J | Tube Rear 9.5 x 8 Service |
| 11 | 104757X428 | Cap Axle Bik 1.50 x 1.00 |
| -- | 144334 | Sealant, Tire (10 oz. tube) |

NOTE: All component dimensions given in U.S. inches
1 inch = 25.4 mm

REPAIR PARTS

TRACTOR- -MODEL NO. 917. 277500

ENGINE



OPTIONAL EQUIPMENT
Spark Arrester

engine-bs.1cyl_38

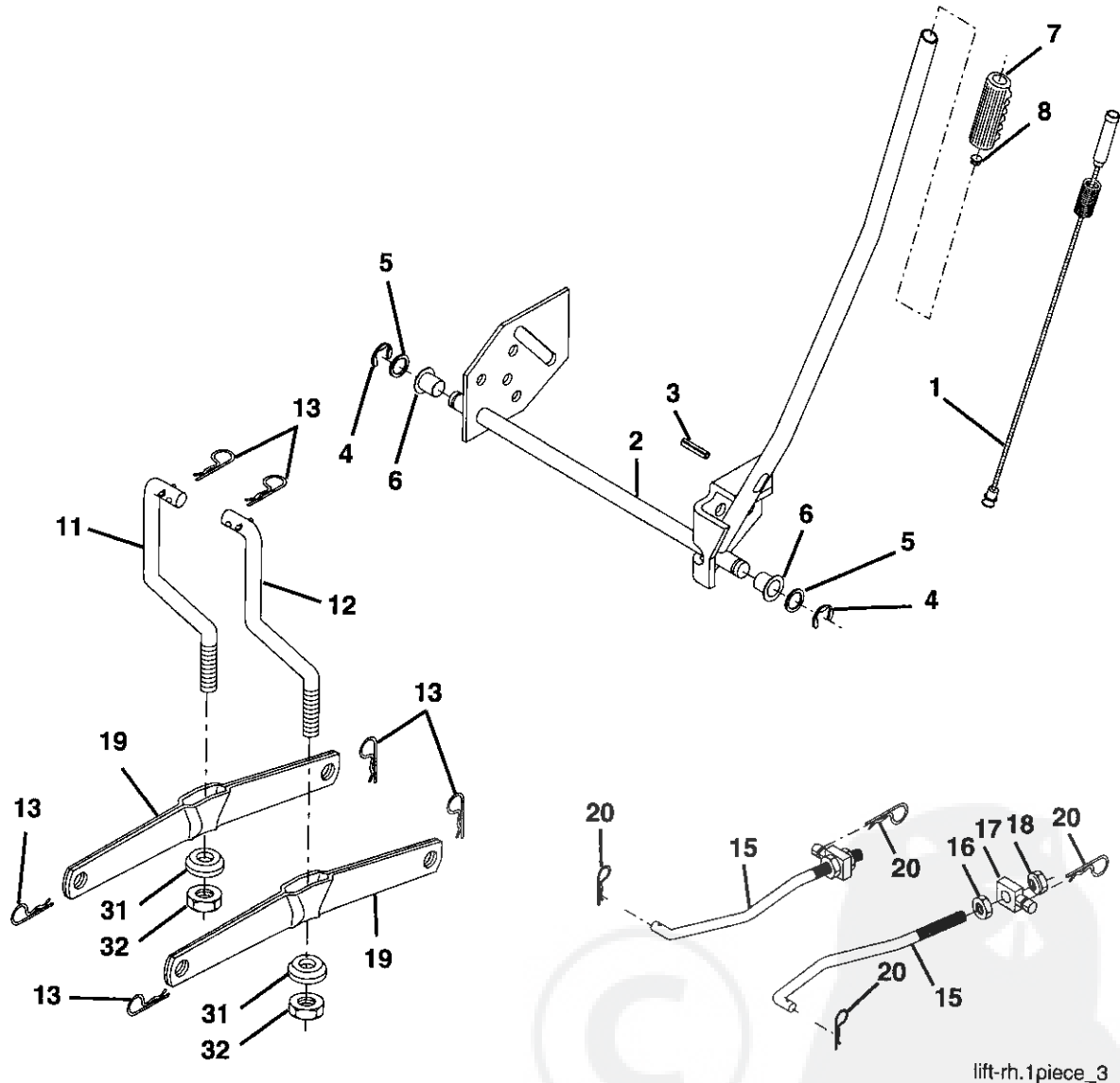
| KEY NO. | PART NO. | DESCRIPTION | KEY NO. | PART NO. | DESCRIPTION |
|---------|------------|---|---------|----------|--|
| 1 | 170545 | Control, Throttle/Choke | 38 | 181654 | Plug Drain Oil Easy |
| 2 | 17720408 | Screw, Hex Head, Thread Cutting 1/4-20 x 1/2 | 40 | 124028X | Bushing, Snap, Fuel Line |
| 3 | ----- | Engine, Briggs Model 283H07-0400-E1 (See Breakdown) | 44 | 17670412 | Screw, Hex Washer Head, Thd., Roll. 1/4-20 x 3/4 |
| 4 | 137352 | Muffer | 45 | 17000612 | Screw Hxwsh Thdr 3/8-16 x 3/4 |
| 13 | 165291 | Gasket | 46 | 19091416 | Washer 9/32 x 7/8 x 16 Ga. |
| 14 | 148456 | Tube Drain Oil Easy | 62 | 10010500 | Washer Split |
| 23 | 169837 | Shield Brn/Dbr Guard | 72 | 71070512 | Screw Hex Head Cap 5/16-18 x 3/4 |
| 25 | 187770X428 | Control Choke | 78 | 17060620 | Screw 3/8-16 x 1-1/4 |
| 29 | 137180 | Arrestor, Spark | 81 | 73510400 | Nut Keps Hex 1/4-20 |
| 31 | 187750 | Tank, Fuel | | | |
| 32 | 140527 | Cap Assembly, Fuel Sears, Vented | | | |
| 33 | 123487X | Clamp, Hose | | | |
| 37 | 137040 | Line, Fuel | | | |

NOTE: All component dimensions given in U.S. inches 1 inch = 25.4 mm

REPAIR PARTS

TRACTOR- -MODEL NO. 917. 277500

MOWER LIFT



lift-rh.1piece_3

| KEY NO. | PART NO. | DESCRIPTION |
|---------|----------|------------------------------------|
| 1 | 159460 | Washer Asm Inner Spring W/ Plunger |
| 2 | 159471 | Shaft Asm. Lift |
| 3 | 105767X | Pin Groove |
| 4 | 12000002 | E Ring #5133-62 |
| 5 | 19211621 | Washer 21/32 x 1 x 21 Ga. |
| 6 | 120183X | Bearing Nylon |
| 7 | 125631X | Grip Handle Fluted |
| 8 | 122365X | Button Plunger Read |
| 11 | 139865 | Link Asm Lift L.H. |
| 12 | 139866 | Link Asm Lift R.H. |

| KEY NO. | PART NO. | DESCRIPTION |
|---------|-----------|---------------------------|
| 13 | STD624008 | Retainer Spring |
| 15 | 173288 | Link Front |
| 16 | 73350800 | Nut Jam Hex 1/2-13 unc |
| 17 | 175689 | Trunnion Blk Zinc |
| 18 | 73800800 | Nut Lock w/Wsh 1/2-13 unc |
| 19 | 139868 | Arm Suspension Mower |
| 20 | 163552 | Retainer Spring |
| 31 | 169865 | Bearing, Pvt. Lift |
| 32 | 73540600 | Nut Crownlock 3/8-24 |

NOTE: All component dimensions given in U.S. inches
1 inch = 25.4 mm

REPAIR PARTS

TRACTOR- -MODEL NO. 917. 277500

MOWER

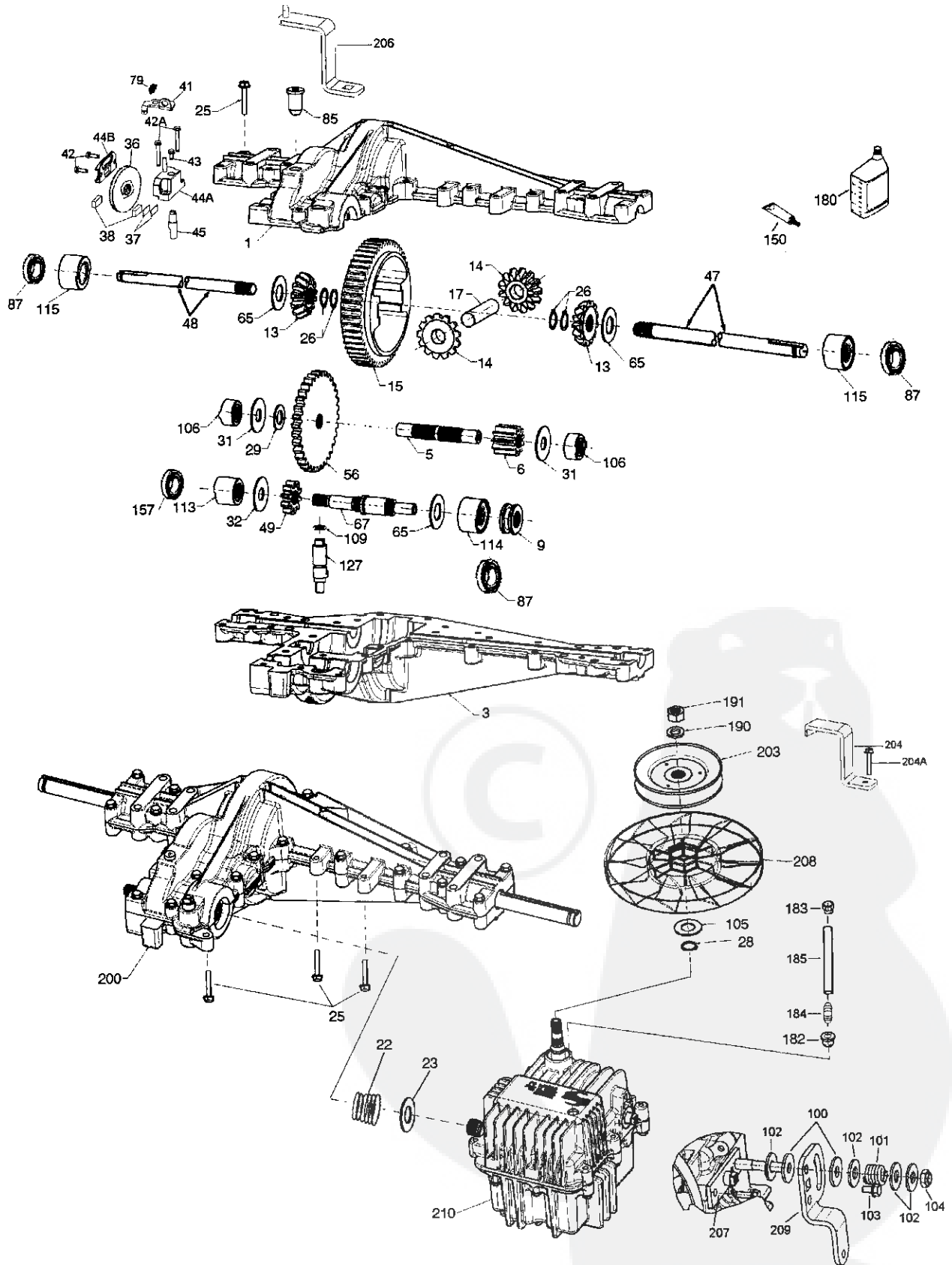
| KEY NO. | PART NO. | DESCRIPTION | KEY NO. | PART NO. | DESCRIPTION |
|---------|------------|--|---------|----------|---|
| 1 | 170280 | Mower Housing Assembly | 68 | 180214 | Belt |
| 2 | 72140506 | Bolt, Carriage 5/16-18 x 3/4 | 69 | 76020312 | Pin, Cotter 3/32 x 3/4 |
| 3 | 138017 | Bracket Asm. Fram Sway Bar | 86 | 7631J | Runner, LH |
| 4 | 169970 | Bracket, Asm. Deck Sway Bar | 87 | 128772 | Runner, RH |
| 5 | 4939M | Retainer, Spring | 88 | 19111216 | Washer 11/32 x 3/4 x 16 Ga |
| 6 | 178024 | Bar Sway Deck | 89 | 19131311 | Washer 13/32 x 13/16 x 11 Ga. |
| 8 | 850857 | Bolt, Hex 3/8-24 x 1-1/4 Gr 8 | 96 | 73930600 | Nut Centerlock 3/8-16 unc |
| 9 | 10030600 | Washer, Lock, Hlcl Sprg 3/8 | 97 | 74930620 | Bolt 3/8-16 x 1-1/4 |
| 10 | 140296 | Washer, Hard Blade Mower Vented | 98 | 19132016 | Washer 13/32 x 1-1/4 x 16 Ga. |
| 11 | 134148 | Blade, Mower, Mulching 38" | 99 | 10040600 | Washer Lock 3/8 |
| 13 | 137645 | Shaft and Bearing Assembly (In-cludes Key Number 15) | 100 | 135651 | Nut Wing |
| 14 | 128774 | Mandrel Housing, Vented | 101 | 132803 | Cover Asm. Mulching |
| 15 | 110485X | Ball Bearing, Mandrel | 107 | 133502 | Spacer, Retainer |
| 16 | 174493 | Stripper, Mower, Vented | 108 | 133503 | Stiffener, Idler Arm |
| 19 | 132827 | Bolt, Shoulder | 109 | 74760640 | Bolt, Hex Head 3/8-16 x 2-1/2 |
| 21 | 73680500 | Nut, Crownlock 5/16-18 | 110 | 142587 | Upstop Deck Front 38" |
| 23 | 137607 | Bracket, Mower Deflector | 113 | 17060512 | Screw 5/16-18 x 3/4 |
| 24 | 105304X | Cap, Sleeve | 122 | 131289 | Rod, Brake, LH |
| 25 | 123713X | Spring, Deflector | 123 | 169971 | Rod, Brake, RH |
| 26 | 110452X | Nut, Push | 146 | 165891 | Bolt Carriage Idler |
| 27 | 106736X428 | Shield, Deflector | 148 | 169022 | Spring Return Idler |
| 28 | 19111016 | Washer 11/32 x 3/4 x 16 Ga | 149 | 165898 | Retainer Spring Yellow Zinc |
| 29 | 106735X | Rod, Hinge | 150 | 19091210 | Washer 9/32 x 3/4 x 10 Ga. |
| 30 | 173984 | Screw, Thdro Washer Hd | 152 | 172758 | Cable Clutch 38 In |
| 31 | 187690 | Washer, Spacer | 158 | 17720408 | Screw Hex Thd Cut 1/4-20 x 1/2 |
| 32 | 153532 | Pulley, Mandrel | 185 | 188234 | Head Asm. Cable Clutch |
| 33 | 178342 | Nut, Flangelock 9/16 | -- | 130794 | Mandrel Assembly (Includes Housing, Shaft and Shaft Hardware Only - Pulley Not Included) |
| 36 | 131494 | Pulley, Idler, Flat | -- | 181209 | Mower Replacement, Complete (Std. Deck-Order Separately mulcher components key nos. 96-101) |
| 40 | 73680600 | Nut Crownlock 3/8-16 unc | | | |
| 45 | 4497H | Retainer, Spring | | | |
| 53 | 130840 | Brake Assembly | | | |
| 54 | 178515 | Washer Hardened | | | |
| 55 | 133840 | Idler Arm Assembly | | | |
| 56 | 165723 | Spacer, Retainer | | | |
| 67 | 149846 | Knob | | | |

NOTE: All component dimensions given in U.S. inches
1 inch = 25.4 mm

REPAIR PARTS

TRACTOR- -MODEL NO. 917. 277500

PEERLESS TRANSAXLE - MODEL NUMBER LTH2000



REPAIR PARTS

TRACTOR- -MODEL NO. 917. 277500

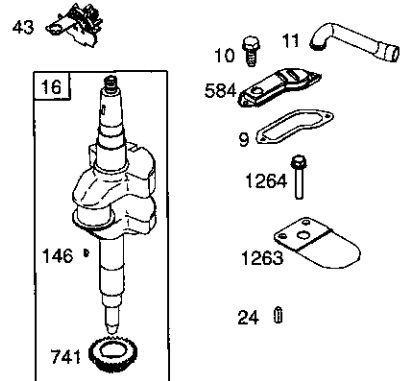
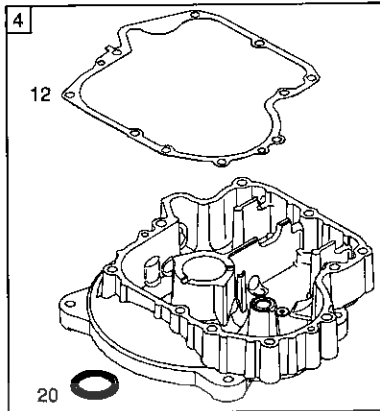
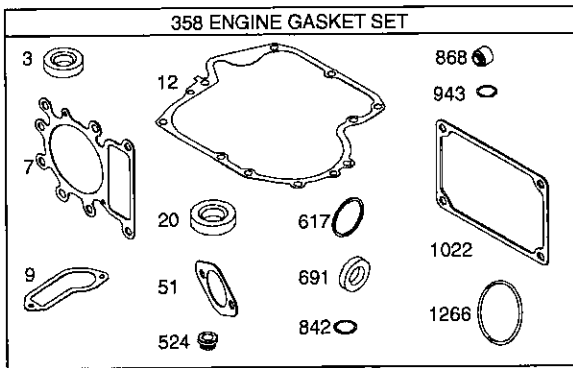
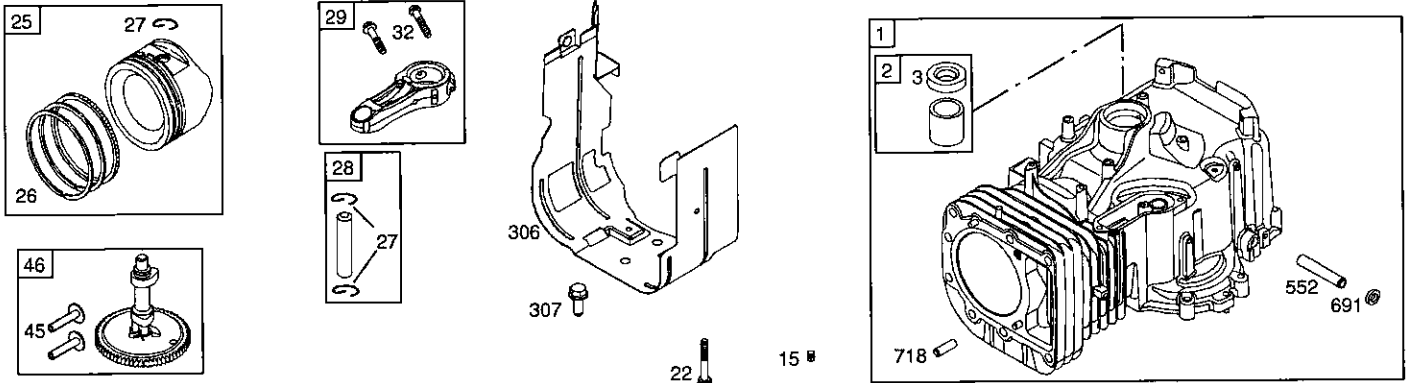
PEERLESS TRANSAXLE - MODEL NUMBER LTH2000

| KEY NO. | PART NO. | DESCRIPTION | KEY NO. | PART NO. | DESCRIPTION |
|---------|----------|----------------------------------|---------|----------|-------------------------------------|
| 1 | 772151 | Cover L.H. | 70 | 786196 | Spacer .625 .765 |
| 3 | 770135 | Case | 79 | 792201 | Spring |
| 5 | 776355 | Counter Shaft | 85 | 792154 | Oil Fill Plug |
| 6 | 778263 | Spur Gear 11T | 87 | 788088A | Oil Seal 3/4" |
| 9 | 786197 | Neutral Sleeve (.572) | 99 | 792141 | Washer .377ID .058W |
| 13 | 778368 | Bevel Gear (Incl. 14) (13 Teeth) | 100 | 792200 | Snubber Washer |
| 14 | 778368 | Bevel Gear (Incl. 13) (13 Teeth) | 101 | 792199 | Snubber Spring .47ID |
| 15 | 778373 | Ring Gear (54 Teeth) | 102 | 792184 | Washer .437ID .078W |
| 17 | 786139 | Drive Pin | 103 | 792193 | Screw, 1/4-28 x .490 |
| 22 | 792194 | Spring | 104 | 792198 | Nut, 3/8-24 |
| 23 | 792195 | Washer .750 ID | 105 | 780096 | Washer .625 ID .057W |
| 25 | 792073A | Screw 1/4-20 x 1-1/4" | 106 | 786162 | Sleeve Assembly |
| 26 | 792125 | Retaining Ring | 107 | 792046 | Screw, 1/4-20 x 1" |
| 28 | 792035 | Retaining Ring | 109 | 788104 | "O" Ring |
| 29 | 780065 | Washer .627 ID .091W | 113 | 786199 | Sleeve Ass'y (Incl. 157) |
| 31 | 780189 | Washer .563 ID .062W | 114 | 786200 | Sleeve Ass'y (Incl. 87) |
| 36 | 790071 | Brake Disk | 115 | 786198 | Sleeve Assembly (Incl. 87) |
| 37 | 790007 | Brake Pad Plate | 127 | 784384 | Shift Lever Ass'y (Incl. 109) |
| 38 | 799021 | Brake Pad | 150 | 788093A | Liquid Gasket RTV Silicon |
| 40 | 792204 | Roll Pin .25 | 157 | 788102 | Oil Seal 9/16"ID |
| 41 | 790102 | Brake Lever | 180 | 730229 | BOil Spec. (80W90) |
| 42 | 792202 | Screw, 1/4-20 x 3/4 | 182 | 788103 | Grommet |
| 42A | 792203 | Screw, 1/4-20 x 1-3/4 | 183 | 792118 | Relief Valve |
| 43 | 792171 | Screw, 10-24 x .500 | 184 | 792196 | Hose Barb |
| 44A | 790100 | Inside Brake (Mach) | 185 | 798050 | Tubing 1/2 x 5 |
| 44B | 790099 | Outside Brake (Casting) | 190 | 792150 | Washer |
| 45 | 790101 | Actuator Rod | 191 | 792151 | Nut 7/16-20 |
| 47 | 774869 | Axle 16.812 | 200 | 794787 | Differential (Gear Reduction Drive) |
| 48 | 774688 | Axle 11.625 | 203 | 798044 | Pulley & Hub Ass'y |
| 49 | 778378 | Spur Gear 18T | 206 | 798055 | Disconnect Lever |
| 56 | 778379 | Spur Gear 81T | 207 | 798053 | Mounting Plate |
| 65 | 780195 | Washer .750ID .062W | 208 | 798040 | Fan |
| 67 | 776440 | Brakeshaft | 209 | 798054 | Control Lever |
| | | | 210 | 794788 | Hydro Module LH Fender Control |

REPAIR PARTS

TRACTOR- -MODEL NO. 917. 277500

BRIGGS & STRATTON ENGINE - - MODEL NUMBER 283H07, TYPE NUMBER 0400-E1



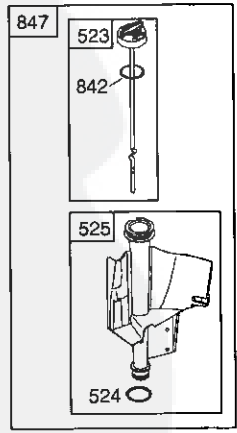
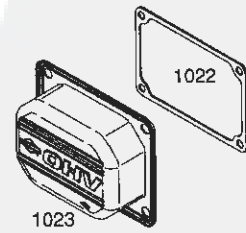
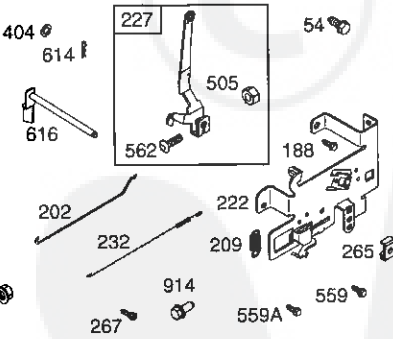
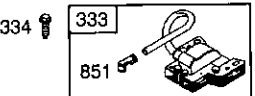
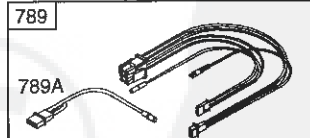
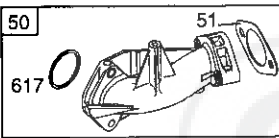
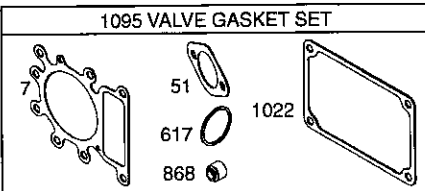
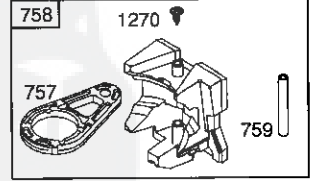
1019 LABEL KIT

1058 OWNER'S MANUAL

1036 EMISSION LABEL

1329 REPLACEMENT ENGINE

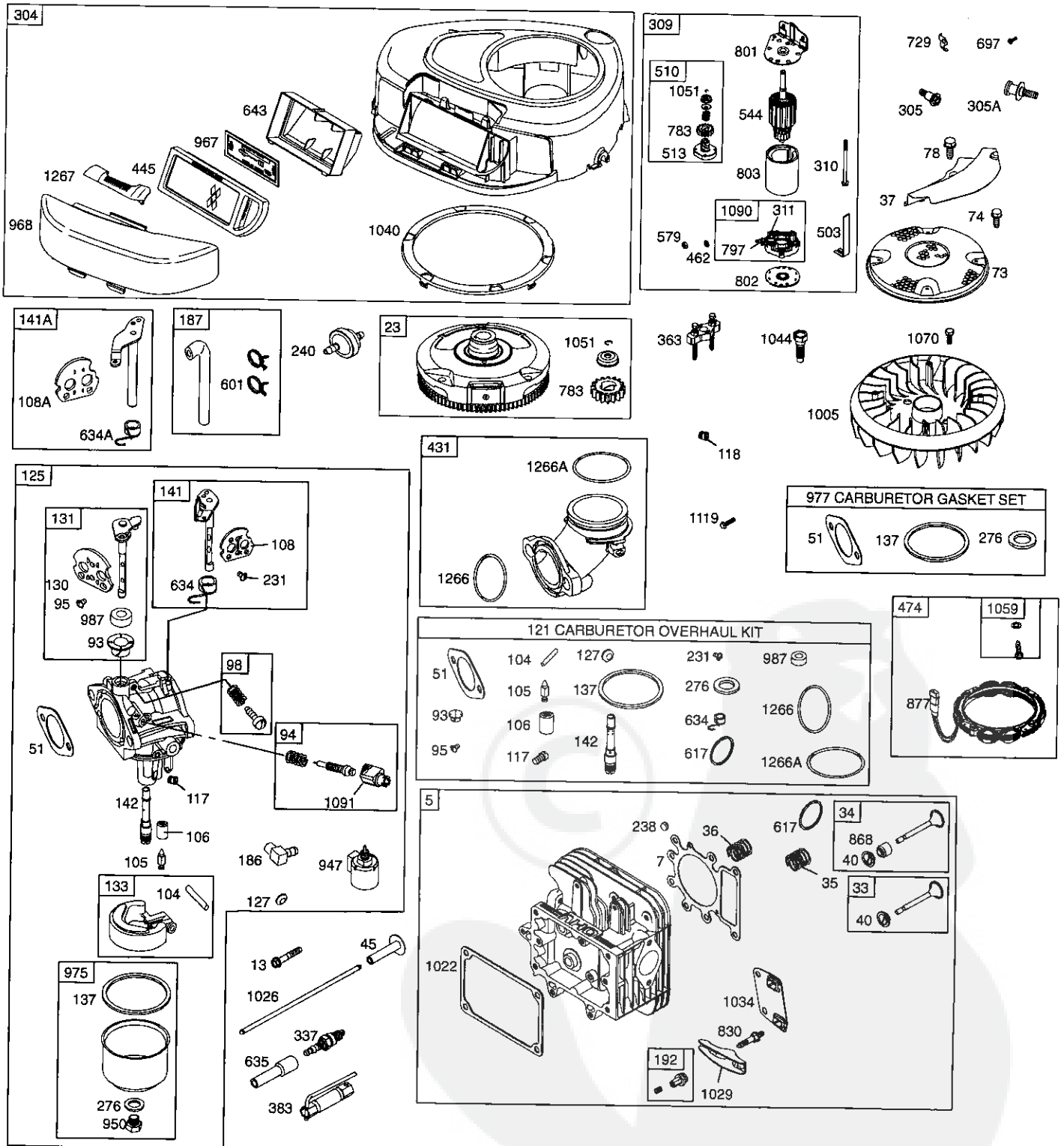
1330 OPERATOR MANUAL



REPAIR PARTS

TRACTOR- -MODEL NO. 917. 277500

BRIGGS & STRATTON ENGINE - - MODEL NUMBER 283H07, TYPE NUMBER 0400-E1



REPAIR PARTS

TRACTOR- -MODEL NO. 917. 277500

BRIGGS & STRATTON ENGINE - - MODEL NUMBER 283H07, TYPE NUMBER 0400-E1

| KEY NO. | PART NO. | DESCRIPTION | KEY NO. | PART NO. | DESCRIPTION |
|---------|----------|----------------------------------|---------|----------|--|
| 1 | 697132 | Cylinder Assembly | 105 | 231855 | Ø Valve-Float Needle |
| 2 | 399265 | Kit-Bushing/Seal (Magneto Side) | 106 | 690577 | Ø Seat-Inlet |
| 3 | 391086 | • Seal-Oil (Magneto Side) | 108 | 690464 | Valve-Choke (Manual Choke) |
| 4 | 697106 | Sump-Engine | 108A | 692344 | Valve-Choke (Choke A Matic) |
| 5 | 698147 | Head-Cylinder | 117 | 694352 | Ø Jet-Main (Standard) |
| 7 | 273280 | •+ Gasket-Cylinder Head | 118 | 697492 | Jet-Main (High Altitude) |
| 9 | 697109 | • Gasket-Breather | 121 | 697241 | Kit-Carburetor Overhaul |
| 10 | 697157 | Screw (Breather Assembly) | 125 | 698445 | Carburetor |
| 11 | 697113 | Tube-Breather | 127 | 695005 | Plug-Welch |
| 12 | 697110 | • Gasket-Crankcase | 130 | 691750 | Valve-Throttle |
| 13 | 690360 | Screw (Cylinder Head) | 131 | 494379 | Kit-Throttle Shaft |
| 15 | 690946 | Plug-Oil Drain | 133 | 494381 | Float-Carburetor |
| 16 | 697127 | Crankshaft | 137 | 281165 | Ø‡ Gasket-Float Bowl |
| 20 | 690947 | • Seal-Oil (PTO Side) | 141 | 495097 | Kit-Choke Shaft (Manual Choke) |
| 22 | 692125 | Screw (Crankcase Cover/Sump) | 141A | 495931 | Kit-Choke Shaft (Choke A Matic) |
| 23 | 693557 | Flywheel | 142 | 697140 | Ø Nozzle-Carburetor |
| 24 | 222698 | Key-Flywheel | 146 | 691639 | Key-Timing |
| 25 | 698371 | Piston Assembly (Standard) | 186 | 698174 | Connector-Hose |
| -- | 698394 | Piston Assembly (.020" Oversize) | 187 | 699331 | Line-Fuel (Molded) (Cut to Required Length) |
| 26 | 698375 | Ring Set (Standard) | 188 | 691693 | Screw (Control Bracket) |
| -- | 698397 | Ring Set (.020" Oversize) | 192 | 691986 | Adjuster-Rocker Arm |
| 27 | 698469 | Lock-Piston Pin | 202 | 691841 | Link-Mechanical Governor |
| 28 | 697099 | Pin-Piston | 209 | 692208 | Spring-Governor |
| 29 | 697126 | Rod-Connecting (Standard) | 222 | 694042 | Bracket-Control |
| 32 | 692852 | Screw (Connecting Rod) | 227 | 691374 | Lever-Governor Control |
| 33 | 695760 | Valve-Exhaust | 231 | 691636 | Screw (Choke Valve) |
| 34 | 695761 | Valve-Intake | 232 | 691842 | Spring-Governor |
| 35 | 691279 | Spring-Valve (Intake) | 238 | 691843 | Cap-Valve |
| 36 | 691279 | Spring-Valve (Exhaust) | 240 | 394358 | Filter-Fuel |
| 37 | 697352 | Guard-Flywheel | 265 | 691024 | Clamp-Casing |
| 42 | 499586 | Keeper-Valve | 267 | 695134 | Screw (Casing Clamp) |
| 43 | 691968 | Slinger-Governor/Oil | 276 | 692255 | Ø‡ Washer-Sealing |
| 45 | 690564 | Tappet-Valve | 304 | 698402 | Housing-Blower |
| 46 | 790400 | Camshaft | 305 | 697102 | Screw (Blower Housing) |
| 48 | 697761 | Short Block | 305A | 697103 | Screw (Blower Housing) |
| 50 | 690193 | Manifold-Intake | 306 | 697107 | Shield-Cylinder |
| 51 | 692137 | •Ø‡+ Gasket-Intake | 307 | 691003 | Screw (Cylinder Shield) |
| 53 | 690227 | Stud (Carburetor) | 309 | 693551 | Motor-Starter |
| 54 | 691148 | Screw (Intake Manifold) | 309A | ----- | Motor-Starter (For Replacement Starter Motor, See Reference 309) |
| 73 | 697133 | Screen-Rotating | 310 | 690323 | Bolt (Starter Motor) |
| 74 | 697987 | Screw (Rotating Screen) | 311 | 497608 | Brush Set |
| 78 | 691003 | Screw (Flywheel Guard) | 311A | 395538 | Brush Set |
| 93 | 690602 | Ø Bushing-Throttle Shaft | | | |
| 94 | 498030 | Kit-Idle Mixture | | | |
| 95 | 691636 | Screw (Throttle Valve) | | | |
| 98 | 495800 | Kit-Idle Speed | | | |
| 104 | 690525 | Ø Pin-Float Hinge | | | |

NOTE: All component dimensions given in U.S. inches 1 inch = 25.4 mm

REPAIR PARTS

TRACTOR- -MODEL NO. 917. 277500

BRIGGS & STRATTON ENGINE - - MODEL NUMBER 283H07, TYPE NUMBER 0400-E1

| KEY NO. | PART NO. | DESCRIPTION | KEY NO. | PART NO. | DESCRIPTION |
|---------|----------|--|---------|-------------|--|
| 333 | 492341 | Armature-Magneto | 830 | 691095 | Stud (Rocker Arm) |
| 334 | 691061 | Screw (Magneto Armature) | 842 | 691031 | • Seal-O Ring (Dipstick Tube) |
| 337 | 691043 | Plug-Spark | 847 | 697611 | Dipstick/Tube Assembly |
| 358 | 697151 | Gasket Set-Engine | 851 | 692424 | Terminal-Spark Plug |
| 363 | 19203 | Flywheel Puller | 868 | 690968 | •+ Seal-Valve |
| 383 | 89838 | Wrench-Spark Plug | 877 | 393456 | Wire-Connector/Alternator |
| 404 | 691691 | Washer (Governor Crank) | 914 | 690960 | Screw (Rocker Cover) |
| 431 | 697122 | Elbow-Intake | 947 | 694393 | Solenoid-Fuel |
| 445 | 698083 | Filter-Air Cleaner Cartridge | 950 | 691657 | Screw (Float Bowl) |
| 462 | 691261 | Washer (Starter Cable) | 967 | 697015 | Filter-Pre Cleaner |
| 474 | 696459 | Alternator | 968 | 698403 | Cover-Air Cleaner |
| 503 | 691532 | Strap-Starter | 975 | 495933 | Bowl-Float |
| 505 | 691251 | Nut (Governor Control Lever) | 977 | 690192 | Gasket Set-Carburetor |
| 510 | 693699 | Drive-Starter | 987 | 691326 | ∅ Seal-Throttle Shaft |
| 510A | 497606 | Drive-Starter | 1005 | 699043 | Fan-Flywheel |
| 513 | 692024 | Clutch-Drive | 1019 | 699196 | Kit-Label |
| 523 | 699908 | Dipstick | 1022 | 272475 | •+ Gasket-Rocker Cover |
| 524 | 691032 | • Seal-Dipstick Tube | 1023 | 692492 | Cover-Rocker Arm |
| 525 | 697184 | Tube-Dipstick | 1026 | 692003 | Rod-Push (Intake) |
| 544 | 692034 | Starter-Armature | --- | 692011 | Rod-Push (Exhaust) |
| 552 | 697144 | Bushing-Governor Crank | 1029 | 691751 | Arm-Rocker |
| 559 | 697561 | Screw (Remote Choke Stop) | 1034 | 690822 | Guide-Push Rod |
| 559A | 693675 | Screw (Remote Choke Stop) | 1036 | 790464 | Label-Emission |
| 562 | 691119 | Bolt (Governor Control Lever) | 1040 | 698368 | Plate-Trim |
| 579 | 691029 | Nut (Starter Cable) | 1044 | 698139 | Screw (Flywheel) |
| 584 | 697112 | Cover-Breather Passage | 1051 | 691265 | Ring-Retaining |
| 601 | 95162 | Clamp-Hose | 1058 | 275038 | Owner's Manual |
| 614 | 691620 | Pin-Cotter | 1059 | 698516 | Kit-Screw/Washer |
| 616 | 692012 | Crank-Governor | 1070 | 690372 | Screw (Flywheel Fan) |
| 617 | 692138 | ∅ • Seal-O Ring (Intake Manifold) | 1090 | 691293 | Retainer-Brush |
| 634 | 690801 | ∅ Spring/Seal Assembly (Manual Choke) | 1091 | 691333 | Cap-Limiter |
| 634A | 690802 | ∅ Spring/Seal Assembly (Choke A Matic) | 1095 | 690190 | Gasket Set-Valve |
| 635 | 691909 | Boot-Spark Plug | 1119 | 691183 | Screw (Alternator) |
| 643 | 698401 | Retainer-Air Filter | 1263 | 697124 | Reed-Breather |
| 654 | 690958 | Nut (Carburetor) | 1264 | 697104 | Screw (Breather Reed) |
| 691 | 692407 | • Seal-Governor Shaft | 1266 | 691917 | •∅ Seal-O Ring (Intake Elbow) |
| 697 | 690372 | Screw (Drive Cap) | 1266A | 697123 | ∅ Seal-O Ring (Intake Elbow) |
| 718 | 690959 | Pin-Locating | 1267 | 697419 | Latch-Blower Housing |
| 729 | 691224 | Clip-Wire | 1270 | 697156 | Plug-AVS Counterweight |
| 741 | 697128 | Gear-Timing | 1329 | 31C707-0230 | Replacement Engine (Transfer the speed limiter control assembly and governor spring to the replacement engine) |
| 757 | 697607 | Link-Counterweight | 1330 | 275038 | Owner's Manual |
| 758 | 697134 | Counterweight | | | |
| 759 | 697392 | Pin-Counterweight | | | |
| 783 | 693713 | Gear-Pinion | | | |
| 789 | 698329 | Harness-Wiring | | | |
| 789A | 790544 | Harness-Wiring | | | |
| 797 | 693167 | Nut (Brush Retainer) | | | |
| 801 | 691283 | Cap-Drive | | | |
| 802 | 691286 | Cap-End | | | |
| 803 | 693757 | Housing-Starter | | | |

NOTE: All component dimensions given in U.S. inches 1 inch = 25.4 mm

LIMITED WARRANTY ON CRAFTSMAN RIDING EQUIPMENT

For two (2) years from the date of purchase, if this Craftsman Riding Equipment is maintained, lubricated and tuned up according to the instructions in the owner's manual, Sears will repair or replace free of charge any parts that are found to be defective in material or workmanship according to the guidelines of coverage listed below. Sears will also provide free labor for these applicable warranted parts for 2 full years. During the first 30 days of purchase, there will be no charges to service the product at your home for issues covered by this warranty. (See exclusions below). For your convenience, IN HOME warranty service will still be available after the first 30 days of purchase, but a trip charge will apply. This charge will be waived if the Craftsman product is dropped off at an authorized Sears location. For the nearest authorized Sears location, please call 1-800-4-MY-HOME®. This warranty applies only while this product is within the United States.

This Warranty does not cover:

- Expendable items which become worn during normal use, including but not limited to blades, spark plugs, air cleaners, belts, and oil filters.
- Standard Maintenance Servicing, oil changes, or tune-ups
- Tire replacement or repair caused by punctures from outside objects, such as nails, thorns, stumps, or glass.
- Repairs necessary because of operator abuse, including but not limited to, damage caused by towing objects beyond the capability of the riding equipment, impacting objects that bend the frame or crankshaft, or over-speeding the engine.
- Repairs necessary because of operator negligence, including but not limited to, electrical and mechanical damage caused by improper storage, failure to use the proper grade and amount of engine oil, failure to keep the deck clear of flammable debris, or failure to maintain the equipment according to the instructions contained in the owner's manual.
- Engine (fuel system) cleaning or repairs caused by fuel determined to be contaminated or oxidized (stale). In general, fuel should be used within 30 days of its purchase date.
- Normal deterioration and wear of the exterior finishes, or product label replacement.
- Riding equipment used for commercial or rental purposes.

LIMITED WARRANTY ON BATTERY

For ninety (90) days from date of purchase, if any battery included with this riding equipment proves defective in material or workmanship and our testing determines the battery will not hold a charge, Sears will replace the battery at no charge. During the first 30 days of purchase, there will be no charges to replace the battery at your HOME. After the first 30 days, for your convenience, IN-HOME warranty service will still be available but a trip charge will apply. This charge will be waived if the Craftsman product is dropped off at an authorized Sears location. For the nearest authorized Sears location, please call 1-800-4-MY-HOME®.

This battery warranty applies only while this product is within the United States.

This warranty gives you specific legal rights, and you may also have other rights, which vary, from state to state.

Sears, Roebuck and Co., Dept. 817WA, Hoffman Estates, IL 60179



CRAFTSMAN®