

**REPAIR PARTS MANUAL**  
**MODEL NO. LZ175H107RBK (96061033100)**  
**Lawn Tractor**

---

**LAZER<sup>®</sup>**

# HOW TO USE THIS MANUAL

This manual is designed to provide the customer with a means to identify the parts on his/her tractor when ordering repair parts. The illustrations may or may not represent the actual assemblies; therefore, it is not recommended to use this manual as a guide to assemble or disassemble the tractor. Some hardware and parts are drawn larger in order to more readily identify them.

Each tractor has its own model number.

The model number for your tractor can be found on the fender under the seat.

When ordering parts, always give the following information:

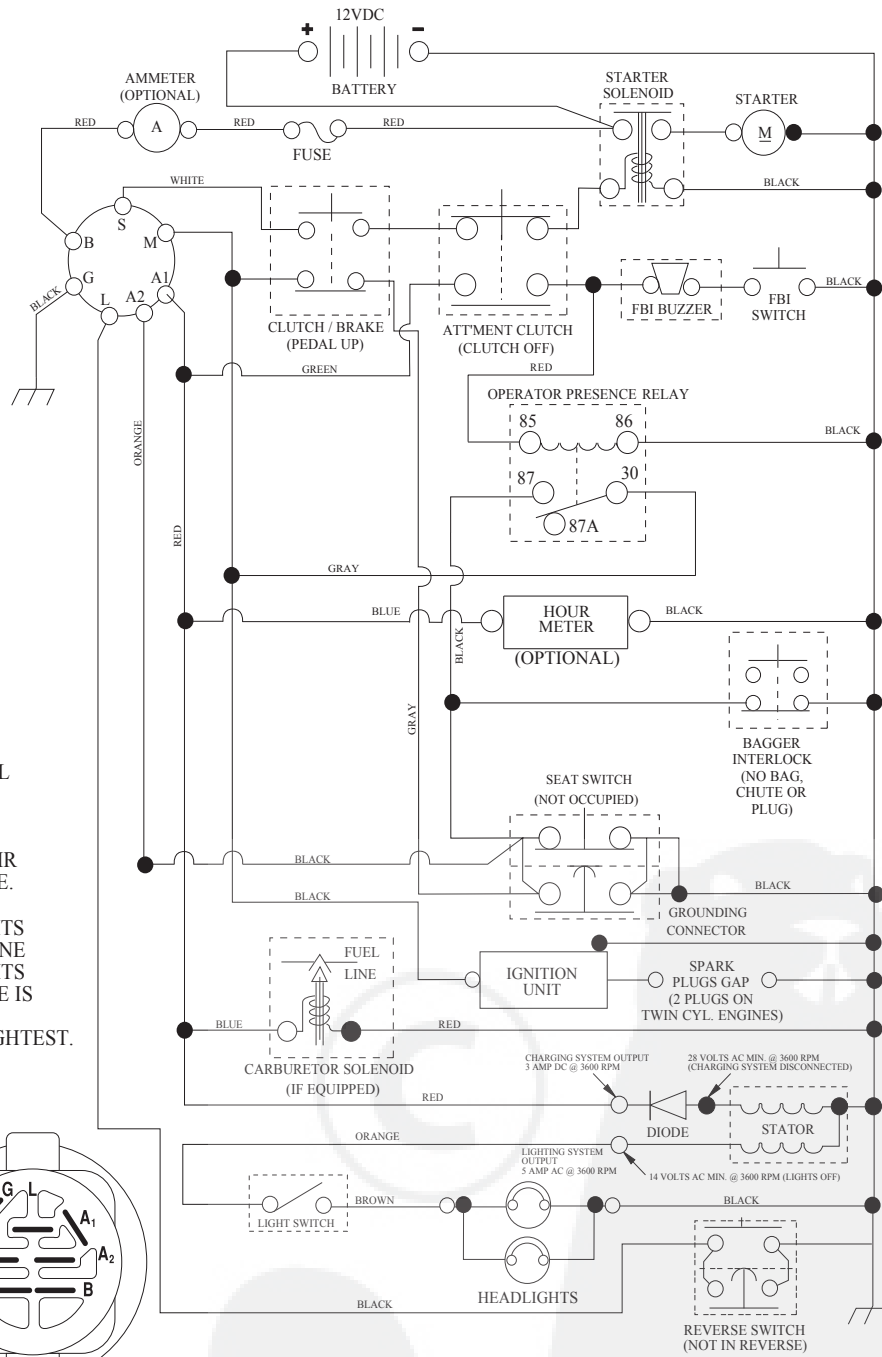
- Product - "Lawn Tractor"
- Model Number - "LZ175H107RBK" (96061033100)
- Part Number
- Part Description

## TABLE OF CONTENTS

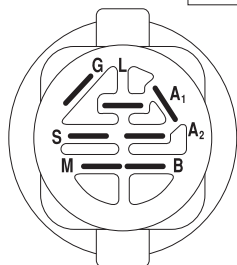
SCHEMATIC .....	3
ELECTRICAL.....	4-5
CHASSIS AND ENCLOSURES.....	6-7
DRIVE.....	8-9
ENGINE.....	10-11
STEERING WHEEL .....	12-13
MOWER DECK .....	14-15
MOWER LIFT .....	16
SEAT .....	17
DECALS.....	18
BAGGER.....	19

# TRACTOR - MODEL NO. LZ175H107RBK (96061033100), PRODUCT NO. 960 61 03-31 SCHEMATIC

SCH08



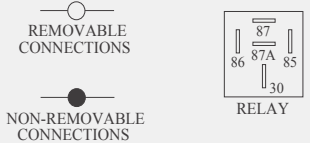
**NOTE**  
 YOUR TRACTOR IS EQUIPPED WITH A SPECIAL ALTERNATOR SYSTEM. THE LIGHTS ARE NOT CONNECTED TO THE BATTERY, BUT HAVE THEIR OWN ELECTRICAL SOURCE. BECAUSE OF THIS, THE BRIGHTNESS OF THE LIGHTS WILL CHANGE WITH ENGINE SPEED. AT IDLE THE LIGHTS WILL DIM. AS THE ENGINE IS SPEEDED UP, THE LIGHTS WILL BECOME THEIR BRIGHTEST.



IGNITION SWITCH

POSITION	CIRCUIT	"MAKE"
OFF	M+G+A1	
RUN/OVERRIDE	B+A1	
RUN	B+A1	L+A2
START	B + S + A1	

**WIRING INSULATED CLIPS**  
 NOTE: IF WIRING INSULATED CLIPS WERE REMOVED FOR SERVICING OF UNIT, THEY SHOULD BE RE-INSTALLED TO PROPERLY SECURE YOUR WIRING.



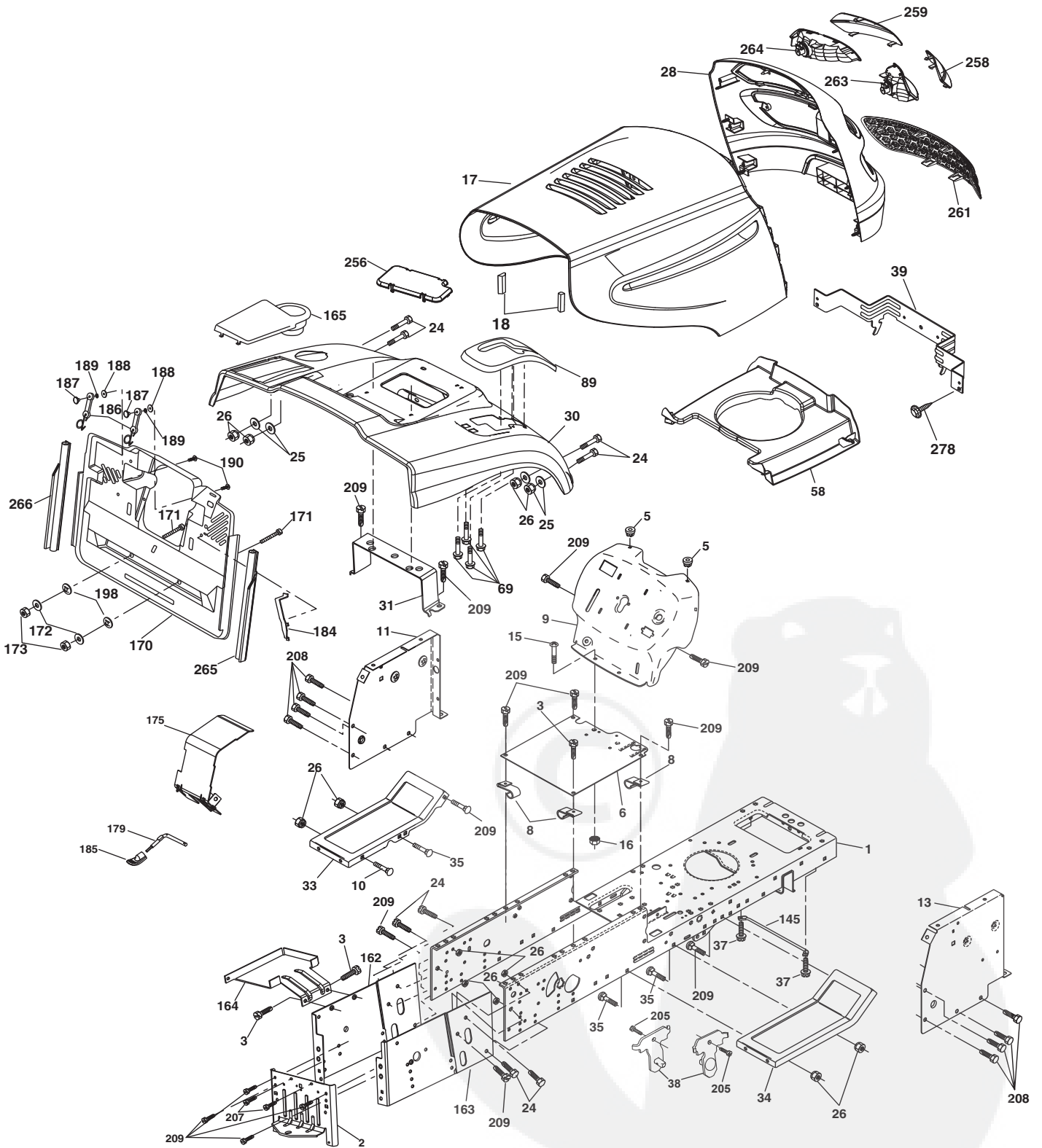


**TRACTOR - MODEL NO. LZ175H107RBK (96061033100), PRODUCT NO. 960 61 03-31  
ELECTRICAL**

<b>KEY NO.</b>	<b>PART NO.</b>	<b>DESCRIPTION</b>
1	532 16 34-65	Battery
2	874 76 04-12	Bolt Hex Hd 1/4-20 unc x 3/4
16	532 17 61-38	Switch Interlock
21	532 18 37-59	Harness Asm Light W/4152J
22	532 00 41-52	Bulb Light #1156
24	532 16 59-87	Cable Battery Crd 56" Red
25	532 42 12-99	Cable Starter 6 Ga. 11" Red
26	532 17 51-58	Fuse
27	873 51 04-00	Nut Keps Hex 1/4-20 unc
28	532 12 77-25	Cable Ground 6 Ga. 18" Black
29	532 19 27-49	Switch Seat
30	532 19 33-50	Switch Ignition
33	532 41 19-35	Key/Chain
34	532 11 07-12	Switch Light
40	532 19 74-36	Harness Ignition
41	871 11 04-08	Bolt Flk Fin Hex 1/4-20 unc x 1/2
42	532 13 15-63	Cover Terminal Red
43	532 19 25-07	Solenoid
48	532 14 08-44	Adapter Ammeter Rectangular
58	532 16 94-19	Buzzer CRD
59	532 18 03-79	Switch FBI CRD
66	817 49 06-08	Screw Thdrol 3/8-16 x 1/2 Ty-Tt
79	532 17 52-42	Socket Asm. Bulb Twist Lock
81	532 10 97-48	Relay Asm
92	532 19 66-15	Harness Pigtail
93	532 19 25-40	Screw Plastite 10-14 x 2.0
94	532 19 18-34	Module Reverse

**NOTE:** All component dimensions given in U.S. inches.  
1 inch = 25.4 mm.

**TRACTOR - MODEL NO. LZ175H107RBK (96061033100), PRODUCT NO. 960 61 03-31**  
**CHASSIS AND ENCLOSURES**

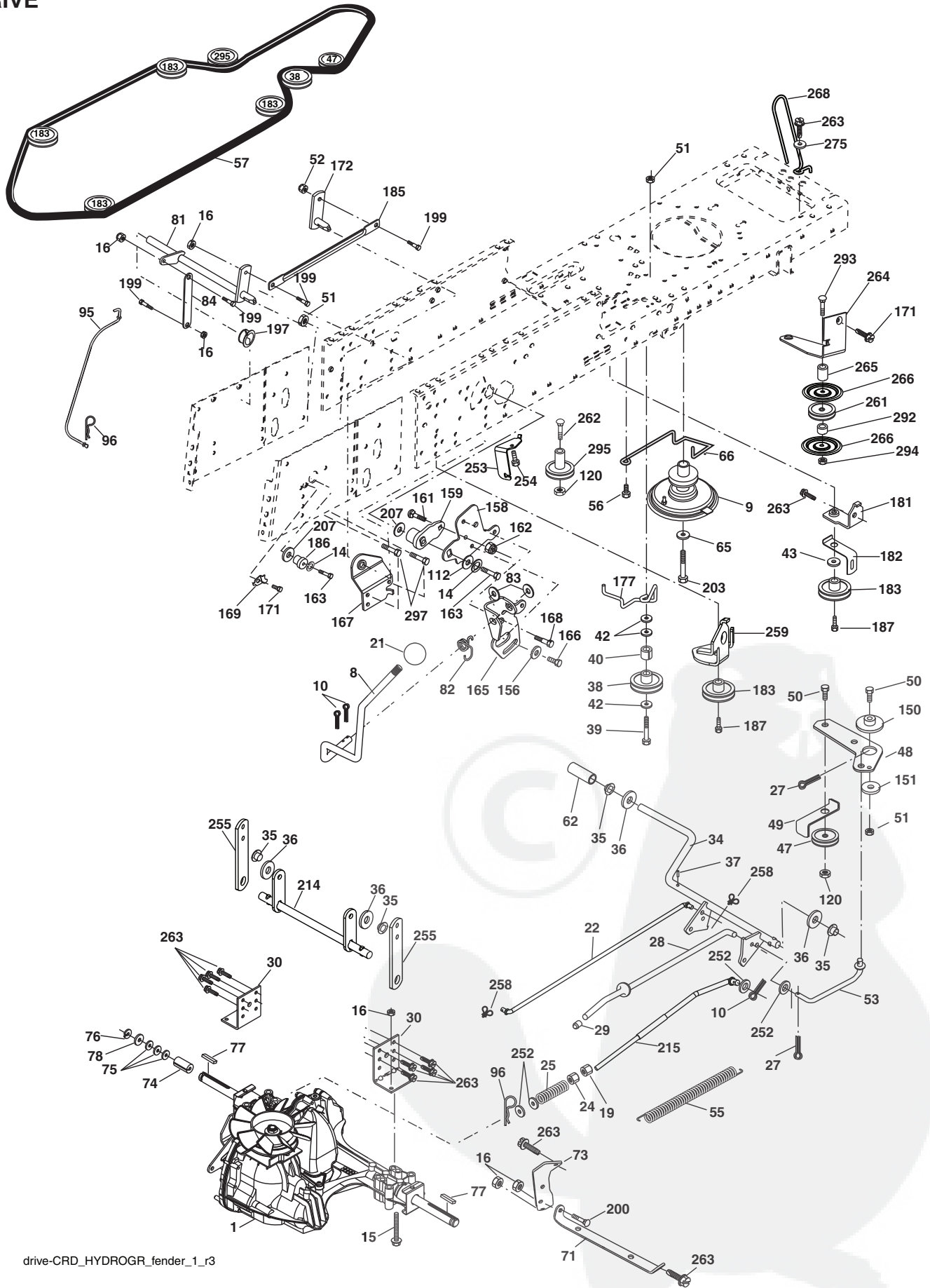


Chassis-CRD\_Elite Pro\_6

**TRACTOR - MODEL NO. LZ175H107RBK (96061033100), PRODUCT NO. 960 61 03-31  
CHASSIS AND ENCLOSURES**

KEY NO.	PART NO.	DESCRIPTION	KEY NO.	PART NO.	DESCRIPTION
1	532 17 46-20	Chassis	164	532 16 56-05	Support Battery CRD
2	532 18 03-84	Drawbar	165	532 18 13-56	Cover Battery
3	817 06 06-12	Screw 3/8-16 x 3/4	170	532 19 94-88	Backplate CRD
5	532 15 52-72	Bumper Hood/Dash	171	872 14 06-20	Bolt Rdhd Sqnk 3/8-16 x 2-1/2 Gr. 5
6	532 18 44-19	Saddle	172	819 13 20-16	Washer 13/32 x 1-1/4 x 16 Ga.
8	532 12 64-71	Clip Insulator 13/32 Mtg. Hole	173	873 51 06-00	Nut, Keps Hex 3/8-16 unc
9	532 19 35-18	Dash	175	532 18 82-03	Door Trap
10	872 14 06-08	Bolt, Carriage 3/8-16 x 3/4	179	532 18 82-02	Rod Pivot FBI CRD
11	532 17 49-96	Panel, Dash, LH	184	532 17 46-62	Bracket Actuator Bagger CRD
13	532 17 51-49	Panel, Asm. Dash RH	185	532 18 11-01	Knob Rod Brake Parking
15	874 18 05-12	Screw, Machine, Truss Head 5/16-18 unc x 3/4	186	532 16 07-93	Latch Asm Mulch/Bagger
16	873 51 05-00	Nut	187	532 12 50-04	Nut Weld
17	532 44 28-82	Hood	188	819 06 12-16	Washer #10
18	532 18 49-21	Bumper Hood	189	810 07 10-00	Washer Lock #10
24	874 78 06-16	Bolt	190	871 08 10-10	Screw Pan Hd Phillip 10-24 x 5/8
25	819 13 13-12	Washer 13/32 x 13/16 x 12 Ga.	198	532 16 89-37	Nut, Push
26	873 80 06-00	Nut	205	817 49 06-08	Screw Thdrol 3/8-16 x 1/2
28	532 18 97-48	Grille	207	817 67 05-08	Screw Thdrol 5/16-18 x 1/2
30	532 19 73-44	Fender	208	817 67 06-08	Screw Thdrol 3/8-16 x 1/2
31	532 16 51-56	Bracket, Fender Support	209	817 00 06-12	Screw Hex Wsh Thdrol 3/8-16
33	532 18 11-93	Footrest, LH	256	532 18 13-61	Cover Fender Rack
34	532 18 11-94	Footrest, RH	258	532 18 97-55	Lens Grille RH
35	872 11 06-06	Bolt	259	532 18 97-53	Lens Grille LH
37	817 49 05-08	Screw Thdrol 5/16-18 x 1/2 TYT	261	532 18 97-53	Insert Grille
38	532 18 17-48	Bracket Asm Pivot Mower Rear	263	532 18 38-33	Bezel Grille RH
39	532 40 78-07	Bracket Pivot	264	532 18 38-32	Bezel Grille LH
58	532 18 43-22	Duct Intake	265	532 18 57-04	Seal RH Side Bagger
69	532 14 24-32	Screw Hx Wsh Hi-Lo 1/4-1/2	266	532 18 57-03	Seal LH Side Bagger
89	532 19 73-66	Console Crd Auto	278	532 41 63-58	Screw #10 0.750 BOS Thread
145	532 40 91-67	Rod Pivot Chassis/Hood	--	532 00 54-79	Plug
162	532 18 03-82	Bracket Exten Chassis LH CRD	<b>NOTE:</b> All component dimensions given in U.S. inches. 1 inch = 25.4 mm.		
163	532 18 03-83	Bracket Exten Chassis RH CRD			

TRACTOR - MODEL NO. LZ175H107RBK (96061033100), PRODUCT NO. 960 61 03-31  
DRIVE



drive-CRD\_HYDROGR\_fender\_1\_r3

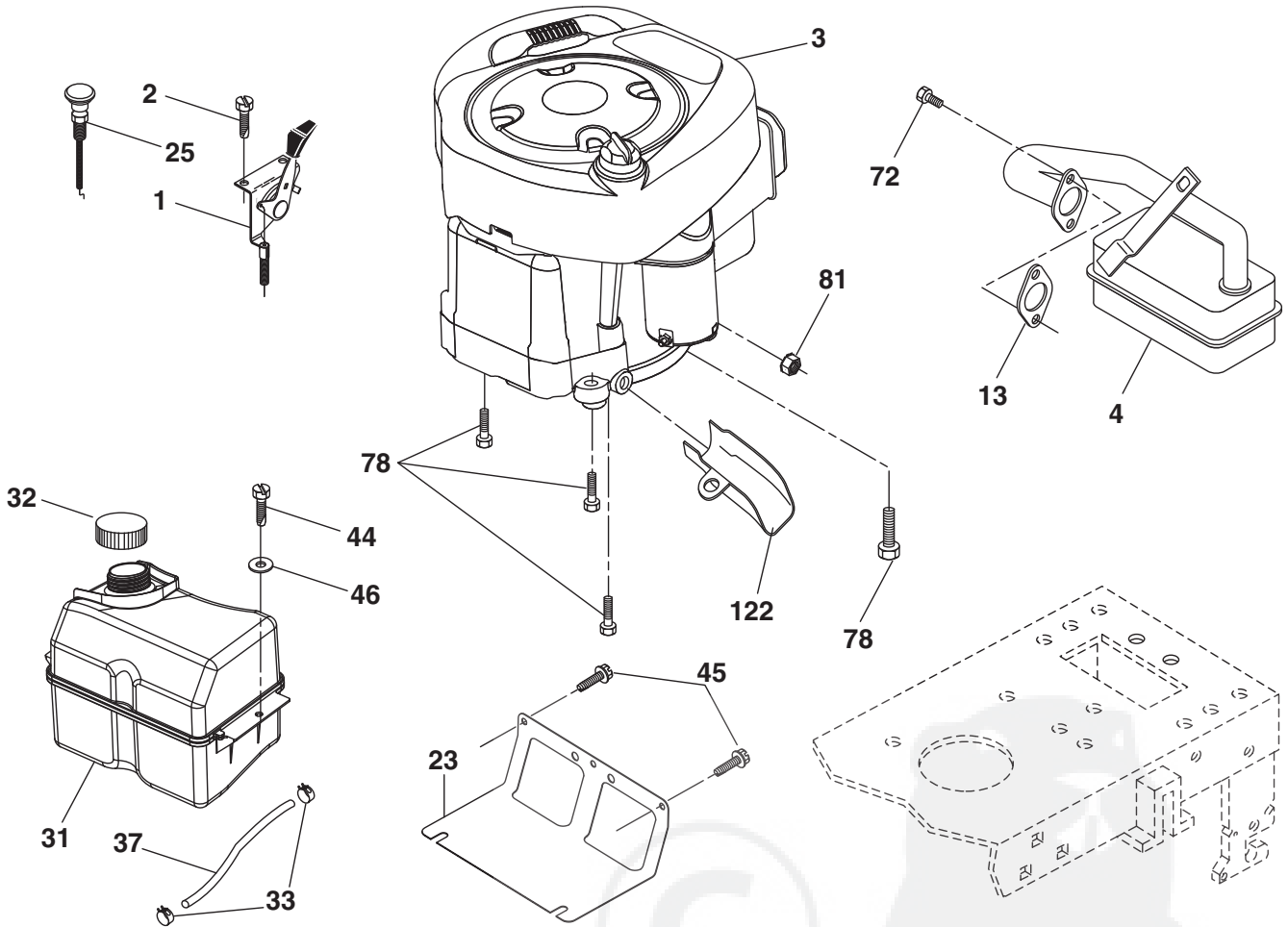


# TRACTOR - MODEL NO. LZ175H107RBK (96061033100), PRODUCT NO. 960 61 03-31 DRIVE

KEY NO.	PART NO.	DESCRIPTION	KEY NO.	PART NO.	DESCRIPTION
1	-----	Transaxle Hydro Gear 321-0510	150	532 16 58-50	Bushing, Bellcrank Grnd Dr.
8	532 19 27-06	Rod, Shift	151	819 13 32-10	Washer 13/32 x 2 x 10 Ga.
9	532 40 85-79	Clutch Asm Noram	156	532 16 60-02	Washer Srrted 5/16 ID x 1.125
10	876 02 04-16	Pin, Cotter 1/8 x 1	158	532 43 74-58	Bracket Shift Mount
14	810 04 04-00	Washer, Lock Hvy Helical	159	532 18 39-00	Hub Shift
15	874 49 05-44	Bolt Hex FGHD 5/16-18 x Gr. 5	161	872 14 04-06	Bolt Rdhd Sqnk 1/4-20 x 3/4 Gr. 5
16	873 80 05-00	Nut Lock Hex W/Ins 5/16-18 unc	162	873 68 04-00	Nut Crownlock 1/4-20 unc
19	873 80 06-00	Nut Lock Hex W/Ins 3/8-16 unc	163	874 78 04-16	Bolt Hex Fin 1/4-20 unc x 1 Gr. 5
21	532 13 05-64	Knob	165	532 43 82-50	Bracket Pivot Lever
22	532 17 56-07	Rod, Brake	166	817 49 05-10	Screw 5/16-18 x 5/8
24	873 35 06-00	Nut	167	532 16 55-88	Bracket Support Shift CRD
25	532 19 20-36	Spring, Rod, Brake	168	532 16 54-92	Bolt Shoulder 5/16-18 x .561
27	876 02 04-12	Pin, Cotter 1/8 x 3/4	169	532 16 55-80	Plate Fastening Lt
28	532 17 57-65	Rod, Parking Brake	171	817 49 06-08	Screw Thdrol 3/8-16 x 1/2 Ty-Tt
29	532 07 16-73	Cap, Parking Brake	172	532 17 02-71	Shaft Asm Shifter Frt CRD
30	532 16 95-92	Bracket, Mfg. Transaxle	177	532 16 59-32	Keeper Flat Idler 3.06" CRD
34	532 17 55-78	Shaft, Asm Pedal Foot CRD	181	532 18 02-11	Bracket Idler Ground Drive CRD
35	532 12 01-83	Bearing, Nylon	182	532 18 26-82	Keeper Belt 2.5" Od V-Idler CRD
36	819 21 16-16	Washer 21/32 x 1 x 16 Ga.	183	532 19 95-34	Pulley V-Idler
37	532 12 49-63	Pin, Roll 3/16 x 1"	185	532 17 00-08	Link Shift
38	532 16 59-36	Pulley Flat Composite 3.06"	186	532 16 56-14	Hub Tapered Round CRD
39	874 76 06-44	Bolt Fin Hex 3/8-16 unc x 2-3/4	187	817 58 05-20	Screw Thdrol 5/16-18 x 1.25
40	532 12 49-65	Spacer, Split 395 x 59 Bzp	197	532 16 96-13	Nyliner Snap-In 5/8
42	819 13 13-12	Washer 13/32 x 13/16 x 12 Ga.	199	532 16 96-12	Bolt Shoulder 5/16-18 unc
43	819 11 10-12	Washer 11/32 x 5/8 x 12 Ga.	200	872 14 05-08	Bolt RDHD SQNK 5/16-18 x 1
47	532 12 77-83	Pulley, Idler, V Groove Plastic	203	871 17 07-80	Bolt Hex 7/16-20 x 5
48	532 15 44-07	Bellcrank Clutch Grnd Drv	207	532 16 98-45	Washer Nylon Rear
49	532 12 32-05	Retainer, Belt Style Spring	214	532 17 56-09	Shaft Asm. Brake
50	872 11 06-12	Bolt 3/8-16 x 1-1/2 Gr. 5	215	532 17 56-52	Rod Brake Hydro
51	873 68 06-00	Nut, Crownlock 3/8-16 unc	252	819 13 16-16	Washer 13/32 x 1 x 16 Ga.
52	873 68 05-00	Nut, Crownlock 5/16-18	253	532 17 50-28	Bracket Cable Chassis
53	532 19 96-52	Link, Clutch 7.66	254	817 00 06-16	Screw 3/8-16 x 1
55	532 10 57-09	Spring, Return, Clutch	255	532 17 56-08	Brace Shaft Brake Mtg.
56	817 06 06-20	Screw 3/8-16 x 1-1/4	258	532 17 80-62	Clip Retainer
57	532 17 01-40	V-Belt Kev 112" 0650 CRD	259	532 18 02-12	Bracket Pulley
62	532 12 48-72	Cover, Pedal	261	532 13 14-94	Pulley Idler
65	810 04 07-00	Washer	262	872 11 06-22	Bolt 3/8-16 x 2-3/4 Gr. 5
66	532 15 47-78	Keeper, Belt Engine F-Proof	263	817 00 06-12	Screw 3/8-16 x 3/4
71	532 16 91-83	Strap, Torque, LH	264	532 43 11-74	Bracket Clutch Mounting
73	532 16 91-82	Strap, Torque, RH	265	532 42 69-13	Spacer Idler Chassis
74	532 13 70-57	Spacer, Split	266	532 18 20-61	Shield Idler Mower
75	532 12 17-49	Washer 25/32 x 1-1/4 x 16 Ga.	268	532 18 24-02	Guard Muffler
76	812 00 00-01	Ring, E	275	819 13 16-14	Washer 13/32 x 1 x 14 Ga.
77	532 12 35-83	Key, Square	292	532 40 02-71	Spacer
78	532 12 17-48	Washer 25/32 x 1-5/8 x 16 Ga.	293	872 14 06-28	Bolt 3/8-16 x 3-1/2
81	532 17 00-06	Asm, Shaft, Cross Rear	294	532 19 70-33	Nut Jam 3/8-16
82	532 16 57-11	Spring, Torsion	295	532 17 91-14	Pulley Idler
83	819 17 12-16	Washer 17/32 x 3/4 x 16 Ga.	297	817 49 06-10	Screw 3/8-16 x 5/8
84	532 17 00-07	Link, Transaxle			
95	532 17 00-15	Control Asm Bypass Hydro			
96	532 12 47-88	Spring, Retainer 1"			
112	819 09 12-10	Washer 9/32 x 3/4 x 10 Ga.			
120	873 90 06-00	Nut Lock Flg. 3/8-16 unc			

**NOTE:** All component dimensions given in U.S. inches  
1 inch = 25.4 mm

**TRACTOR - MODEL NO. LZ175H107RBK (96061033100), PRODUCT NO. 960 61 03-31  
ENGINE**



29

**OPTIONAL EQUIPMENT**

**Spark Arrester**

engine-CRD\_bs\_20

**TRACTOR - MODEL NO. LZ175H107RBK (96061033100), PRODUCT NO. 960 61 03-31  
ENGINE**

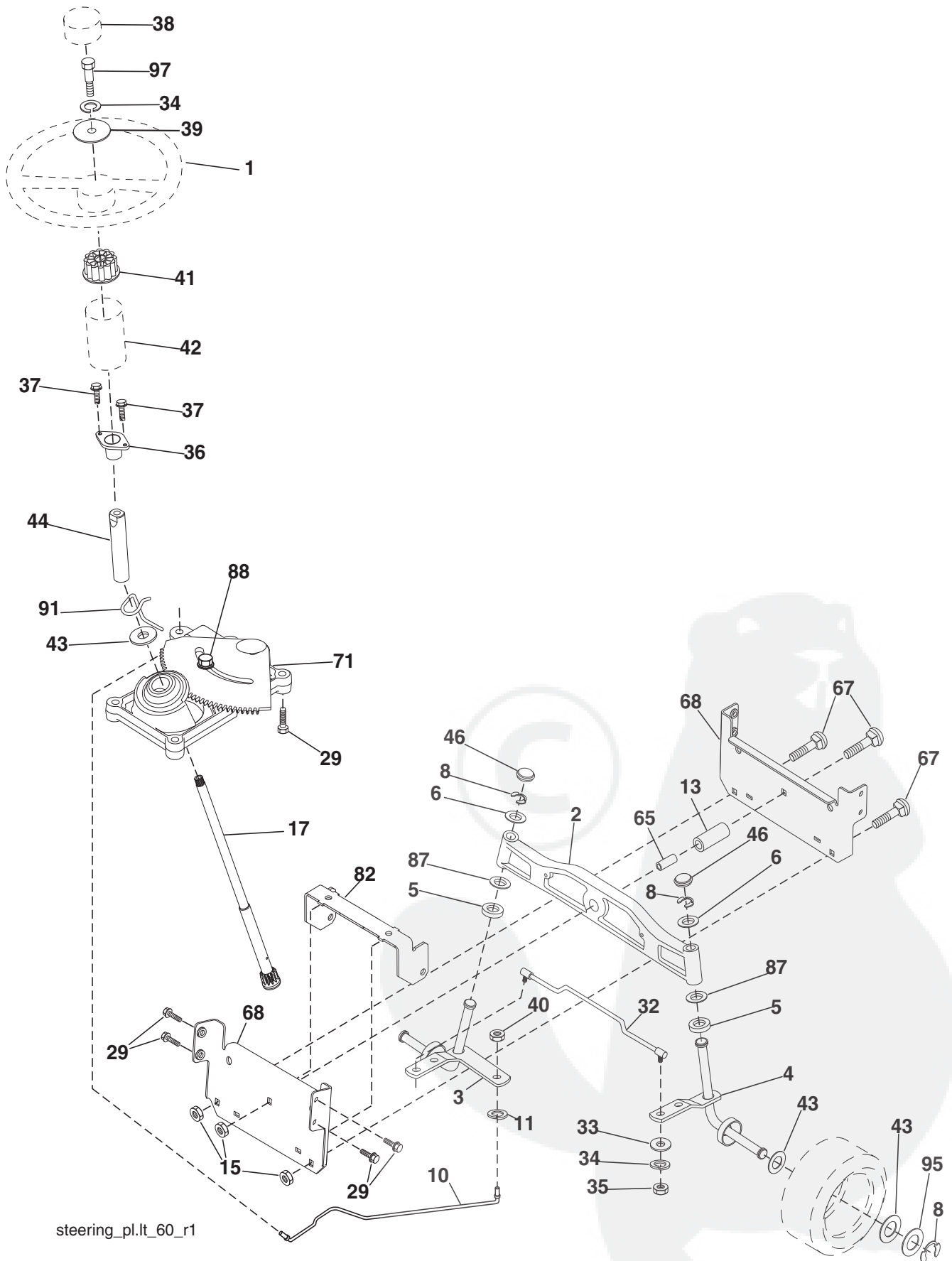
<b>KEY NO.</b>	<b>PART NO.</b>	<b>DESCRIPTION</b>
1	532 17 05-51	Control Throt/Ck
2	817 72 04-08	Screw Hex Thd Cut 1/4-20 x 1/2
3	-----	Engine B&S Model 31C707-2429-B1
4	532 13 73-52	Muffler
13	532 16 52-91	Gasket Muffler
23	532 16 98-37	Shield Brn/Dbr Guard
25	532 19 06-95	Control Choke
29	532 13 71-80	Kit Spark Arrester (Flat Scrn)
31	532 43 08-25	Tank Fuel 2.00
32	532 43 02-20	Cap Asm Fuel
33	532 12 34-87	Clamp Hose Blk
37	532 13 70-40	Line Fuel
44	817 67 04-12	Screw Hexwsh Thdrol 1/4-20 x 3/4
45	817 00 06-12	Screw Hexwsh Thdr 3/8-16 x 3/4
46	819 09 14-16	Washer 9/32 x 7/8 x 16 Ga.
72	532 19 23-34	Screw 1/4-20 x 3/4
78	817 06 06-20	Screw 3/8-16 x 1/4
81	873 51 04-00	Nut Keps Hex 1/4-20 unc
122	532 42 19-22	Extension Drain Oil

**NOTE:** All component dimensions given in U.S. inches  
1 inch = 25.4 mm

**Engine Power Rating Information**

The gross power rating for individual gas engine models is labeled in accordance with SAE (Society of Automotive Engineers) code J1940 (Small Engine Power & Torque Rating Procedure), and rating performance has been obtained and corrected in accordance with SAE J1995 (Revision 2002-05). Torque values are derived at 3060 RPM; horsepower values are derived at 3600 RPM. Actual gross engine power will be lower and is affected by, among other things, ambient operating conditions and engine-to-engine variability. Given both the wide array of products on which engines are placed and the variety of environmental issues applicable to operating the equipment, the gas engine will not develop the rated gross power when used in a given piece of power equipment (actual "on-site" or net power). This difference is due to a variety of factors including, but not limited to, accessories (air cleaner, exhaust, charging, cooling, carburetor, fuel pump, etc.), application limitations, ambient operating conditions (temperature, humidity, altitude), and engine-to-engine variability. Due to manufacturing and capacity limitations, Briggs & Stratton may substitute an engine of higher rated power for this Series engine.

**TRACTOR - MODEL NO. LZ175H107RBK (96061033100), PRODUCT NO. 960 61 03-31**  
**STEERING ASSEMBLY**



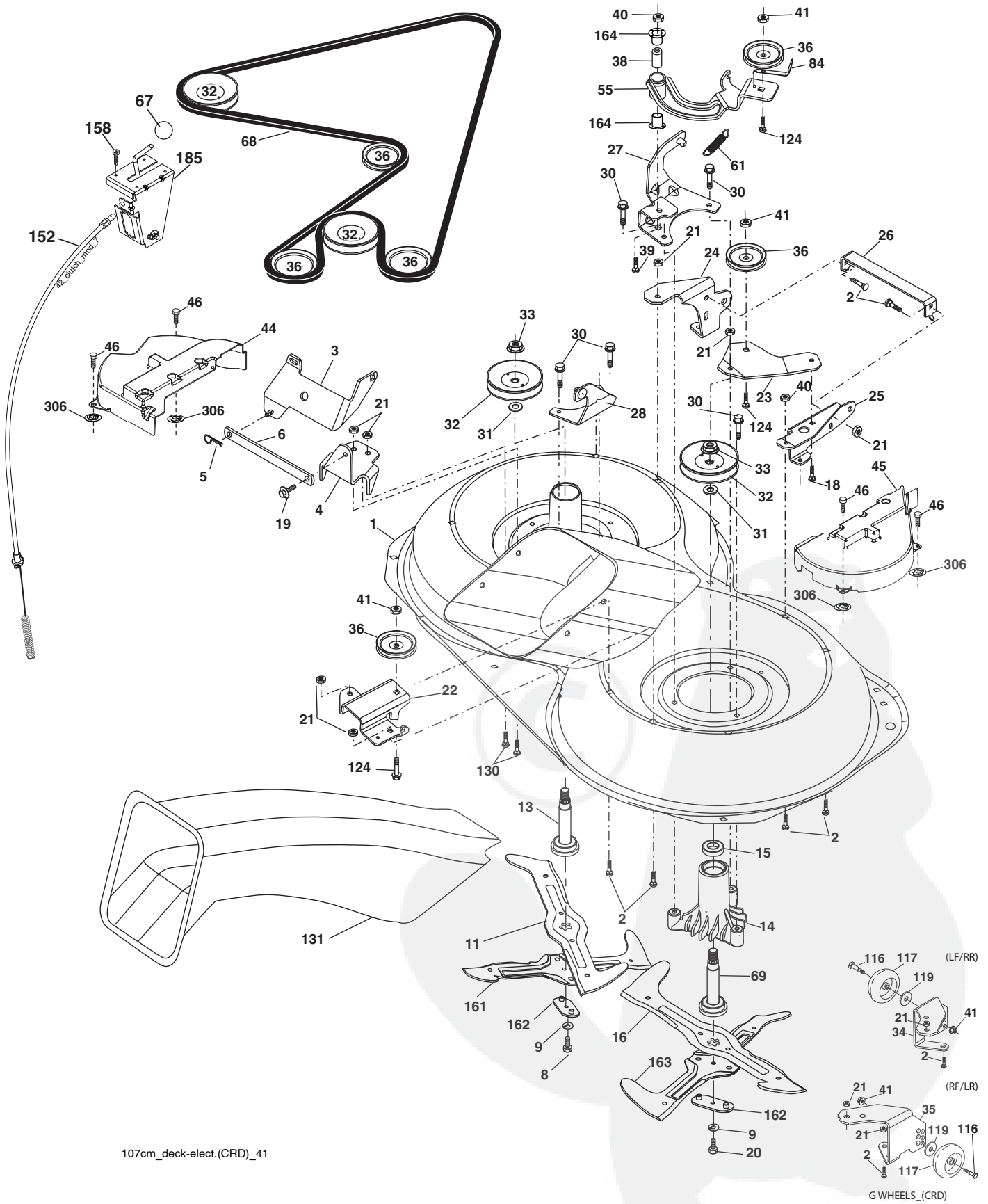
steering\_pl.it\_60\_r1

**TRACTOR - MODEL NO. LZ175H107RBK (96061033100), PRODUCT NO. 960 61 03-31  
STEERING ASSEMBLY**

<b>KEY NO.</b>	<b>PART NO.</b>	<b>DESCRIPTION</b>
1	532 42 41-46	Steering Wheel
2	532 18 47-06	Front Axle Assembly
3	532 16 98-40	Spindle Assembly, LH
4	532 16 98-39	Spindle Assembly, RH
5	532 12 49-31	Washer Thrust 0.75 x 1.230
6	532 12 17-48	Washer 25/32 x 1-5/8 x 16 Ga.
8	812 00 00-29	Ring, Clip
10	532 17 51-21	Link, Drag
11	810 04 06-00	Washer, Lock
13	532 13 65-18	Spacer Axle
15	532 14 52-12	Nut Hex Flange Lock
17	532 19 07-53	Shaft Assembly, Steering
29	817 00 06-12	Screw 3/8-16 x 3/4
32	532 17 01-62	Rod, Tie
33	819 11 12-16	Washer 11/32 x 3/4 x 16 Ga.
34	810 04 05-00	Washer Lock Hvy Hlcl Spr 5/16
35	873 54 05-00	Crownlock Nut 5/16-24 unf
36	532 15 50-99	Bushing, Steering
37	532 15 29-27	Screw TT #10-32 x 5 x 3/8 Flange
38	532 42 46-91	Cap Wheel Steering
39	819 11 38-12	Washer 11/32 x 2-3/8 x 12 Ga.
40	873 54 06-00	Nut Crownlock 3/8-24
41	532 18 67-37	Adaptor, Steering Wheel
42	532 16 96-33	Boot, Steering Dash P/L Mtl
43	532 12 17-49	Washer 25/32 x 1-1/4 x 16 Ga.
44	532 19 07-52	Extension Steering
46	532 12 12-32	Cap, Spindle
65	532 41 47-36	Spacer Axle
67	872 11 06-18	Bolt Rdhd Sq 3/8-16 x 2-1/4
68	532 16 98-27	Brace Axle
71	532 17 51-46	Steering Asm.
82	532 19 99-78	Bracket Susp. Chassis Front
87	532 17 39-66	Washer Flat .781 x 1-1/2 x .14
88	532 17 51-18	Bolt Shoulder 7/16-20 unc
91	532 17 55-53	Clip Steering
95	532 18 89-67	Washer Hardened
97	532 42 89-82	Bolt 5/16-18 x 4 w/Patch

**NOTE:** All component dimensions given in U.S. inches.  
1 inch = 25.4 mm.

**TRACTOR - MODEL NO. LZ175H107RBK (96061033100), PRODUCT NO. 960 61 03-31  
MOWER**



107cm\_deck-elect.(CRD)\_41

G WHEELS\_(CRD)

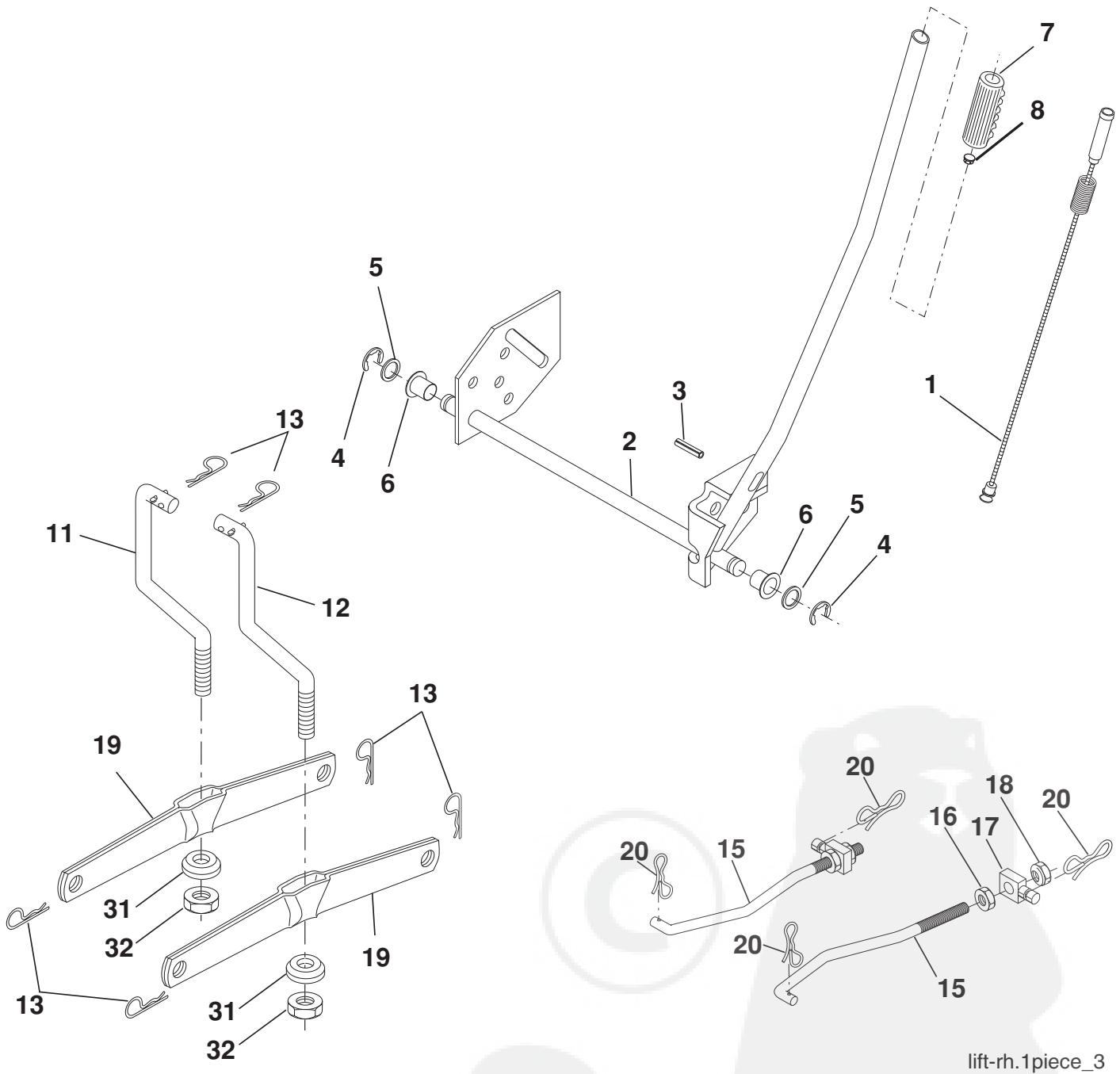


# TRACTOR - MODEL NO. LZ175H107RBK (96061033100), PRODUCT NO. 960 61 03-31 MOWER

KEY NO.	PART NO.	DESCRIPTION	KEY NO.	PART NO.	DESCRIPTION
1	532 16 91-60	Housing Asm. Mower	44	532 43 11-70	Cover Mandrel LH
2	872 14 05-06	Bolt Rdhd Sqnk 5/16-18 unc x 3/4	45	532 17 55-39	Cover Mandrel RH
3	532 43 18-64	Bracket Asm. S-Bar Chass	46	532 13 77-29	Screw Thd Roll 1/4-20 x 5/8
4	532 16 91-67	Bracket Bar Sway Deck	55	532 16 98-49	Arm Idler
5	532 12 46-70	Retainer Spring	61	532 19 94-87	Spring Tension
6	532 16 55-57	Bar Sway	67	532 10 69-32	Knob
8	532 18 17-12	Bolt 3/8-24 x 1.25 Gr. 8 Patched	68	532 40 20-09	Belt, Drive
9	810 03 06-00	Washer Lock Hvy 3/8 Unplated	69	532 16 54-82	Shaft Asm W/Lwr Brg Rh Thd CRD
11	532 18 05-83	Blade 3-1 LH	84	532 15 60-85	Keeper Belt Idler
13	532 13 76-45	Shaft Asm. w/Lower Bearing	116	532 19 34-06	Bolt Shoulder
14	532 12 87-74	Housing Mandrel Vented (Machd)	117	532 17 48-73	Wheel Gauge
15	532 11 04-85	Bearing Ball Mandrel	119	819 13 20-12	Washer 13/32 x 1 1/4 x 12 Ga.
16	532 18 05-84	Blade 3-1 RH	124	872 11 06-12	Bolt Carr Sh 3/8-16 x 1-1/2 Gr. 5
18	872 11 06-06	Bolt Rdhd Sqnk 3/8-16 x 3/4 Gr. 5	130	872 11 05-06	Bolt Rdhdsqnk 5/16-18 unc x 3/4
19	532 13 28-27	Bolt Shoulder 5/16-18 Thd Form	131	532 16 56-61	Chute Bagger CRD 92cm
20	532 18 17-13	Bolt 3/8-24 x 1.25 Gr. 8 Ptch LHthd	152	532 17 60-74	Cable Clutch
21	873 68 05-00	Nut Crown Lock 5/16-18	158	817 72 04-08	Screw 1/4-20 x 1/2
22	532 16 91-65	Bracket Idler Sprr RR	161	532 18 04-24	Blade Cross LH 107
23	532 16 91-66	Bracket Idler Sprr RF	162	532 18 08-78	Adapter Weldment Blade 107
24	532 41 34-36	Bracket Suspension LF	163	532 18 04-25	Blade Cross RH 107
25	532 40 01-05	Bracket Suspension RF	164	532 12 49-37	Bearing
26	532 40 01-10	Brace Support Susp Frt CRD	185	532 18 82-34	Head Asm Cable Clutch
27	532 16 91-72	Bracket Asm. Susp RR	306	532 42 30-62	Palnut 1/4
28	532 16 91-68	Bracket Asm. Susp LR	--	532 18 18-57	Mandrel Assembly (Includes housing, shaft assembly, and bearing only - pulley/nut/washer and blade bolt/washers not included)
30	532 17 39-84	Screw Thd Rolling Dod. PT Hex	--	532 18 18-58	Mandrel Asm CRD LH Threads VC
31	532 18 76-90	Washer Spacer Mower Vented	--	532 43 25-02	Replacement Mower Complete
32	532 19 81-45	Mandrel Pulleys			
33	532 40 02-34	Nut Flg Top Lock			
34	532 40 01-03	Bracket Gauge Wheel LF/RR			
35	532 40 01-04	Bracket Gauge Wheel RF/LR			
36	532 14 67-63	Pulley Idler V-Groove Dim 4.25			
38	532 16 98-51	Spacer Hub Arm Idler			
39	872 11 06-22	Bolt RhHd 3/8-16 unc x 2-3/4 Gr. 5			
40	873 68 06-00	Nut Crownlock 3/8-16 unc			
41	873 90 06-00	Nut Flangelock 3/8-16 unc			

**NOTE:** All component dimensions given in U.S. inches  
1 inch = 25.4 mm

**TRACTOR - MODEL NO. LZ175H107RBK (96061033100), PRODUCT NO. 960 61 03-31  
MOWER LIFT**



lift-rh.1piece\_3

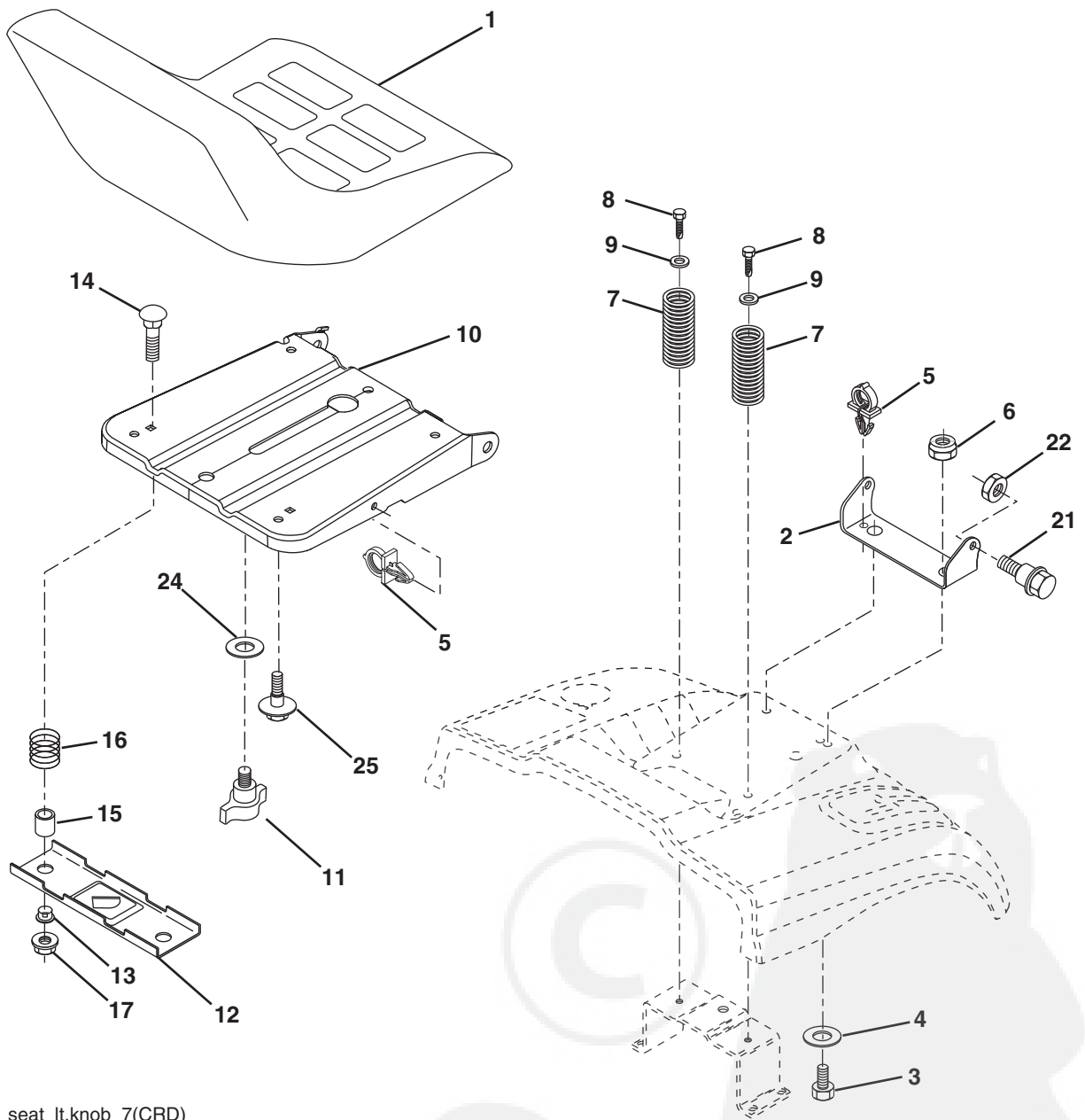
KEY NO.	PART NO.	DESCRIPTION
1	532 40 50-07	Plunger Asm Lift Lever
2	532 19 80-70	Shaft Asm. Lift
3	532 18 88-22	Pin Groove
4	812 00 00-02	E Ring #5133-62
5	819 21 16-21	Washer 21/32 x 1 x 21 Ga.
6	532 12 01-83	Bearing Nylon
7	532 10 94-13	Grip Handle Bicycle
8	532 12 45-26	Button Plunger Black
11	532 16 58-29	Link Asm Lift LH
12	532 16 58-31	Link Asm Lift RH
13	532 12 46-70	Retainer Spring
15	532 17 32-88	Link Front

KEY NO.	PART NO.	DESCRIPTION
16	873 35 08-00	Nut Jam Hex 1/2-13 unc
17	532 17 56-89	Trunnion Blk Zinc
18	873 80 08-00	Nut Lock w/Wsh 1/2-13 unc
19	532 13 98-68	Arm Suspension Mower
20	532 19 42-09	Pin Cotter 7/16 Bow Tie Lock
31	532 16 98-65	Bearing, Pvt. Lift.
32	873 54 06-00	Nut Crownlock 3/8-24

**NOTE:** All component dimensions given in U.S. inches  
1 inch = 25.4 mm



**TRACTOR - MODEL NO. LZ175H107RBK (96061033100), PRODUCT NO. 960 61 03-31  
SEAT ASSEMBLY**



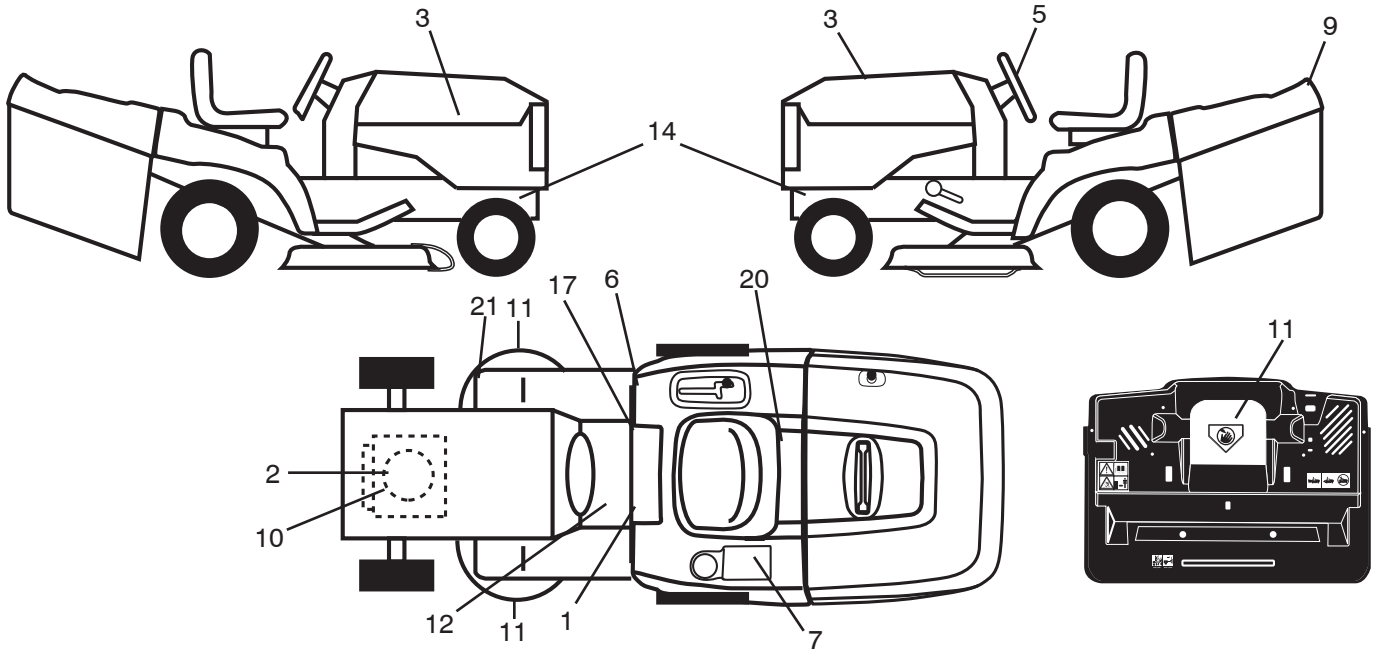
seat\_lt.knob\_7(CRD)

KEY NO.	PART NO.	DESCRIPTION
1	532 18 87-13	Seat
2	532 14 05-51	Bracket Pnt Pivot Fender
3	871 11 06-16	Bolt Fin Hex 3/8-16 x 1
4	819 13 16-10	Washer Flat 13/32 x 1 x 10 Ga.
5	532 14 50-06	Clip Push In Hinged
6	873 80 06-00	Nut Lock Hex w/Ins 3/8-16
7	532 12 41-81	Spring Seat Cprsn 2 250 Blk Zi
8	817 00 06-16	Screw 3/8-16 x 1.5
9	819 13 16-14	Washer 13/32 x 1 x 14 Ga.
10	532 19 55-30	Pan Pnt Seat
11	532 16 63-69	Knob Seat
12	532 17 46-48	Bracket Pnt Mounting Switch

KEY NO.	PART NO.	DESCRIPTION
13	532 12 12-48	Bushing Snap Blk Nyl 50 Id
14	872 05 04-12	Bolt Rdhd Sht Nk 1/4-20 x 1-1/2
15	532 13 43-00	Spacer Split
16	532 12 12-50	Spring Cprsn
17	532 12 39-76	Nut Lock 1/4 Lge Flg Gr. 5 Zinc
21	532 17 18-52	Bolt Shoulder 5/16-18 unc-2A
22	873 80 05-00	Nut Hex Lock w/Ins 5/16-18
24	819 17 19-12	Washer 17/32 x 1-3/16 x 12 Ga.
25	532 12 70-18	Bolt Shoulder 5/16-18 x .62

**NOTE:** All component dimensions given in U.S. inches.  
1 inch = 25.4 mm

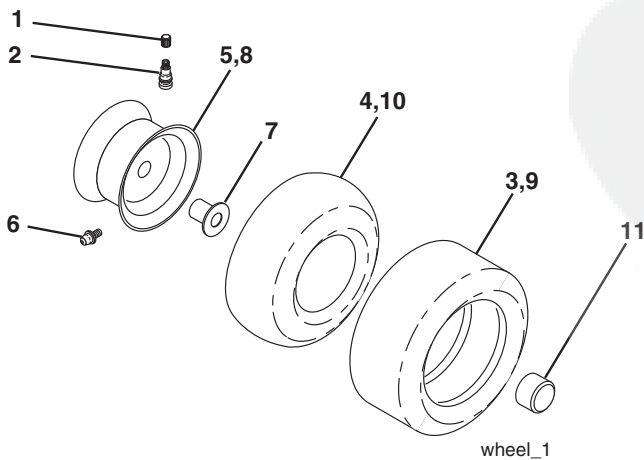
**TRACTOR - MODEL NO. LZ175H107RBK (96061033100), PRODUCT NO. 960 61 03-31  
DECALS**



KEY NO.	PART NO.	DESCRIPTION
1	532 40 03-89	Decal, Warning Sym CE
2	532 43 74-17	Decal, Hp Engine
3	532 44 03-92	Decal, Hood RH
5	532 43 35-14	Decal, Wheel Steering
6	532 18 04-32	Decal, 100 DBA
7	532 14 50-05	Decal, Battery Danger
9	532 43 35-13	Decal, Fender
10	532 19 68-41	Decal, Warning Eng. Sym
11	532 18 21-66	Decal, Mower Cut Finger Symbol
12	532 15 97-37	Decal, Brake/Clutch Symbol Lt

KEY NO.	PART NO.	DESCRIPTION
14	532 15 97-36	Decal, Chassis Hot Muffler
17	532 14 08-37	Decal, Saddle Brake Parking
20	532 16 69-60	Decal, Bypass Fender CRD
21	532 16 62-86	Decal, Hex Belt Sch 92 CRD
--	532 13 83-11	Decal, Lift Handle
--	532 18 10-90	Pad, Footrest RH
--	532 18 10-91	Pad, Footrest LH
--	532 43 27-43	Manual, Operator's (Euro)
--	532 44 02-82	Manual, Parts

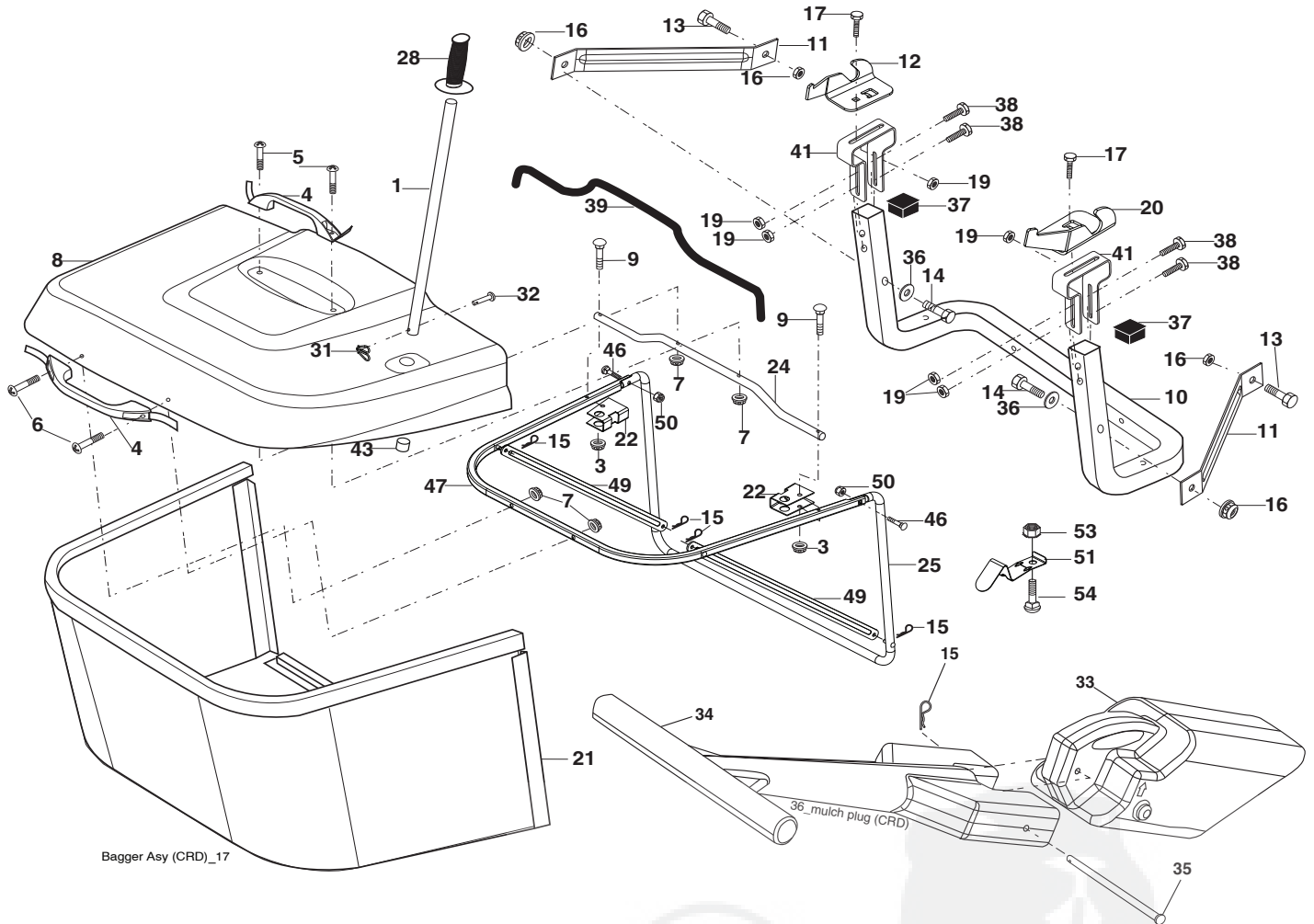
**WHEELS & TIRES**



KEY NO.	PART NO.	DESCRIPTION
1	532 05 91-92	Cap Valve Tire
2	532 06 51-39	Stem Valve
3	532 10 62-22	Tire F Ts 15 x 6 0 - 6 Service
4	532 05 99-04	Tube Inner Front #35060
5	532 18 33-37	Rim Asm 6" Front White Service
6	532 12 49-57	Fitting Grease
7	532 12 49-59	Bearing Flange
8	532 18 33-38	Rim Asm 8" Rear White Service
9	532 12 20-82	Tire R Ts 20 x 8-8 Service
10	532 12 49-26	Tube Rear 9 5 x 8 Service
11	532 17 50-39	Cap Axle Blk 1 50 x 1 00
--	532 14 43-34	Sealant, Tire (10 oz. tube)

**NOTE:** All component dimensions given in U.S. inches  
1 inch = 25.4 mm

# TRACTOR - MODEL NO. LZ175H107RBK (96061033100), PRODUCT NO. 960 61 03-31 BAGGER



Bagger Asy (CRD)\_17

KEY NO.	PART NO.	DESCRIPTION	KEY NO.	PART NO.	DESCRIPTION
1	532 42 86-10	Tube Handle Bagger CRD	31	532 16 94-84	Retainer Clip
3	532 12 39-76	Nut Lock 1/4 Lge Flg Gr. 5 Zinc	32	532 12 68-75	Rivet Rd Hd Drilled 3/8 Dia
4	532 16 99-16	Handle Bagger w/Lvrs Blk CRD	33	532 42 86-83	Plug Mulch
5	874 98 10-24	Screw Pan Head #10-24 x 1.50 Blk	34	532 16 55-70	Handle Mulcher
6	874 98 10-32	Screw Pan Hd	35	532 16 55-72	Pin Mulcher
7	873 40 10-00	Nut Wiz Lock Hex Serr/Hd 10-24	36	819 13 20-12	Washer 13/32 x 1-1/4 x 12 Ga.
8	532 43 95-19	Cover Bagger CRD	37	532 17 54-01	Plug Support Bagger CRD
9	872 14 04-18	Bolt Carriage 1/4-20 x 2.25d x Gr. 5	38	872 01 05-20	Bolt 5/16-18 x 2-1/2
10	532 18 12-82	Tube Support Bagger CRD	39	532 41 62-57	Seal Bagger
11	532 16 57-19	Bracket Support Upper Bag CRD	41	532 43 27-55	Bracket Vert Adj Bagger CRD
12	532 18 88-48	Bracket Pivot LH	43	532 17 40-83	Plug Tubing
13	874 76 06-12	Bolt Fin Hex 3/8-16 unc x 3/4	46	872 11 05-10	Bolt Carr. 5/16-18 x 1-1/4 Gr. 5
14	874 52 06-36	Bolt Carr.	47	532 19 37-04	Tube Upper Bagger
16	873 90 06-00	Nut Lock Flg. 3/8-16 unc	49	532 19 33-05	Bar Spreader
15	532 12 46-70	Retainer Spring	50	873 80 05-00	Nut Lock Thx w/Ins. 5/16-18 unc
17	872 14 05-06	Bolt Rdhd Sqnk 5/16 -18 unc x 3/4	51	532 19 99-03	Latch Spring Bagger
19	873 90 05-00	Nut Lock Hexflange 5/16-18	53	873 51 04-00	Nut Keps Hex 1/4-20 unc
20	532 18 88-47	Bracket Pivot RH	54	872 14 04-06	Bolt 1/4-20 x 3/4 Gr. 5
21	532 40 61-80	Bag Asm CRD			
22	532 42 82-36	Bracket Side Bagger CRD			
24	532 16 57-83	Tube Pivot Bagger CRD			
25	532 19 37-05	Tube Front Bagger CRD			
28	532 16 57-87	Grip Handle Black			

**NOTE:** All component dimensions given in U.S. inches  
1 inch = 25.4 mm



LAZER<sup>®</sup>