

ILLUSTRATED PARTS LIST

MFG. ID NO. 96061003500

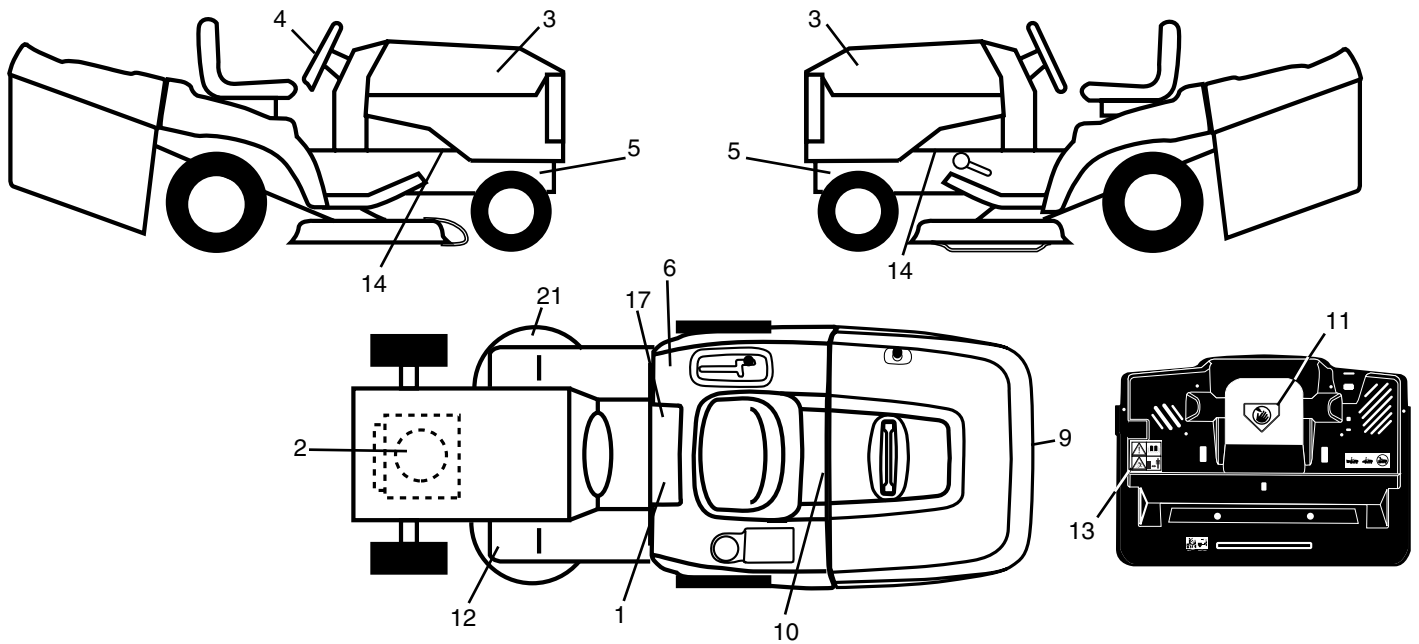
CUSTOMER CATLOG NO. P1292RB

PRODUCT NO. 964 77 19-01



REPAIR PARTS

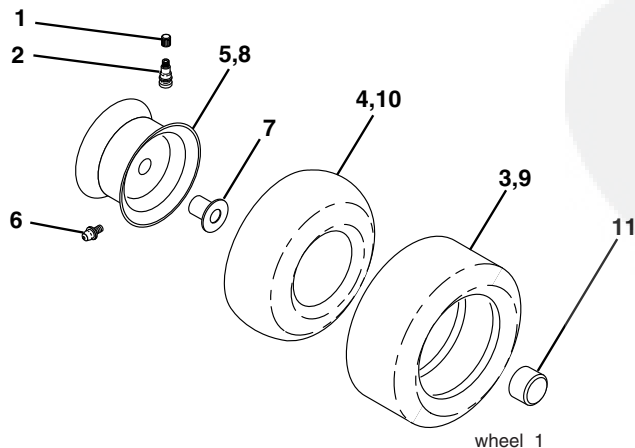
TRACTOR- -MODEL NO. P1292RB (96061003500), PRODUCT NO. 964 77 19-01
DECALS



| KEY NO. | PART NO. | DESCRIPTION |
|---------|---------------------|-------------------------------|
| 1 | 532 14 54-98 | Decal Read Owner's Manual Sym |
| 2 | 532 18 48-55 | Decal Hp Engine |
| 3 | 532 18 96-24 | Decal Hood |
| 4 | 532 18 56-47 | Decal Steering |
| 5 | 532 18 56-51 | Decal Chassis Turbo |
| 6 | 532 18 04-32 | Decal Fender 100 OB/CE |
| 9 | 532 19 45-04 | Decal Fender |
| 10 | 532 14 50-05 | Decal Bat Dan/Poi P/L Sym Wpn |
| 11 | 532 18 21-66 | Decal Mower Cut Finger Symbol |
| 12 | 532 15 97-37 | Decal Brake/Clutch Symbol Lt |
| 13 | 532 18 04-35 | Decal Warn Back Plate CRD |

| KEY NO. | PART NO. | DESCRIPTION |
|---------|---------------------|----------------------------|
| 14 | 532 15 97-36 | Decal Chassis Hot Muffler |
| 17 | 532 14 08-37 | Decal Saddle Brake Parking |
| 21 | 532 16 62-86 | Decal Hex Belt Sch 92 CRD |
| — | 532 18 56-51 | Decal Chassis Turbo |
| — | 532 18 10-90 | Pad Footrest RH |
| — | 532 13 83-11 | Decal Lift Handle |
| — | 532 18 26-21 | Decal Bagger Frame |
| — | 532 18 10-91 | Pad Footrest LH |
| — | 532 19 33-59 | Manual Operator's (Euro) |
| — | 532 18 33-61 | Manual Operator's (Scand) |

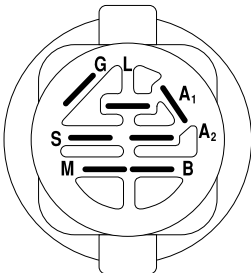
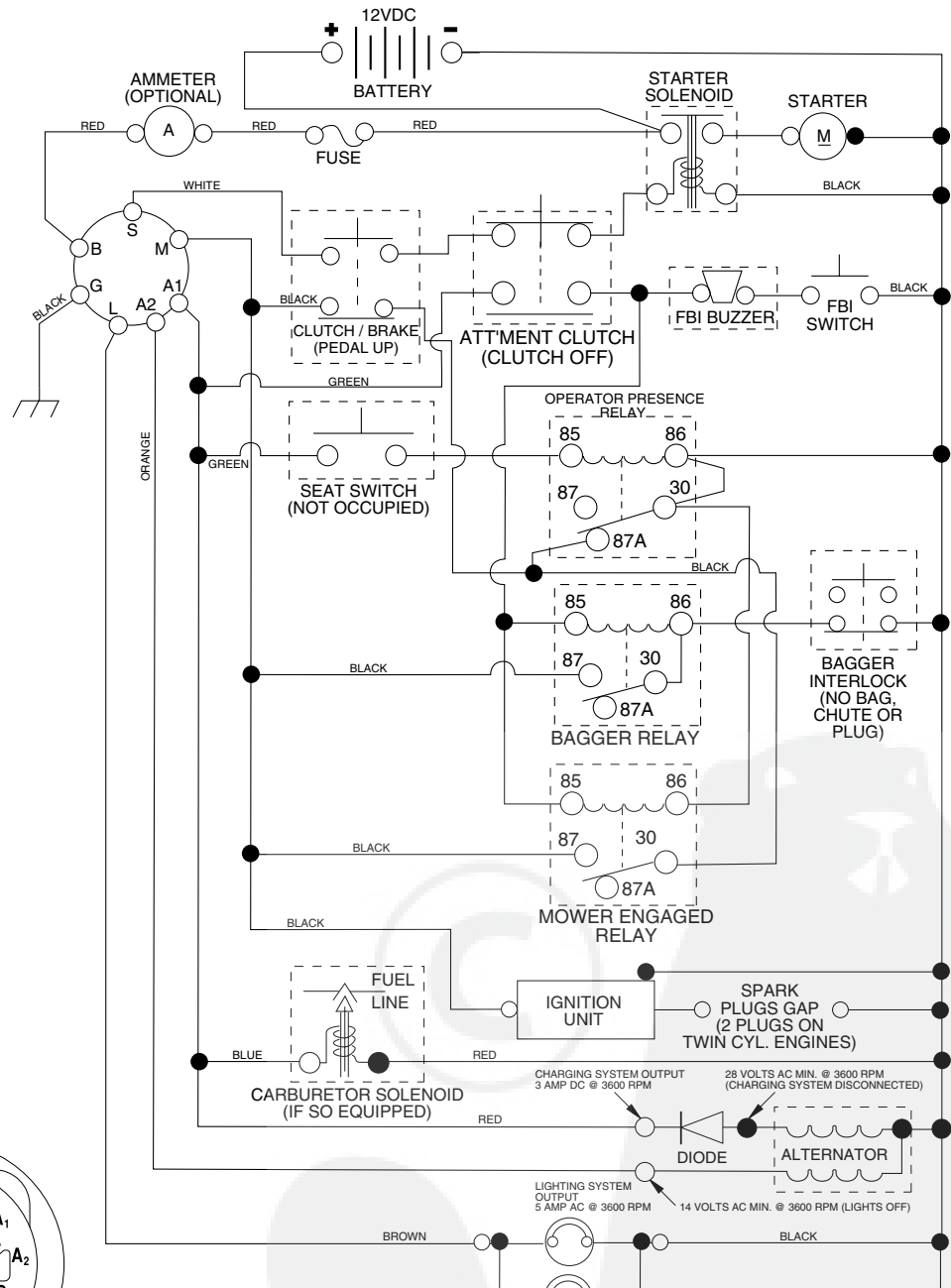
WHEELS & TIRES



| KEY NO. | PART NO. | DESCRIPTION |
|---------|---------------------|--------------------------------|
| 1 | 532 05 91-92 | Cap Value Tire |
| 2 | 532 06 51-39 | Stem Value |
| 3 | 532 10 62-22 | Tire F Ts 15 x 6 0 - 6 Service |
| 4 | 532 05 99-04 | Tube Inner Front #35060 |
| 5 | 532 12 51-21 | Rim Asm 6" front Service |
| 6 | 532 12 49-57 | Fitting Grease |
| 7 | 532 12 49-59 | Bearing Flange |
| 8 | 532 12 51-22 | Rim Asm 8" rear Service |
| 9 | 532 13 84-68 | Tire R Ts 20 x 8-8 Service |
| 10 | 532 12 49-26 | Tube Rear 9 5 x 8 Service |
| 11 | 532 17 50-39 | Cap Axle Blk 1 50 x 1 00 |
| -- | 532 14 43-34 | Sealant, Tire (10 oz. tube) |

NOTE: All component dimensions given in U.S. inches
1 inch = 25.4 mm

TRACTOR- -MODEL NO. P1292RB (96061003500), PRODUCT NO. 964 77 19-01 SCHEMATIC



IGNITION SWITCH

| POSITION | CIRCUIT | "MAKE" |
|-----------|------------|--------|
| OFF | M+G+A1 | NONE |
| RUN/LIGHT | B+A1 | A2+L |
| RUN | B+A1 | NONE |
| START | B + S + A1 | NONE |

PTO SWITCH

| POSITION | CIRCUIT |
|----------|---------------------|
| OFF | C + G, B + H |
| ON | C + F, B + E, A + D |

WIRING INSULATED CLIPS
NOTE: IF WIRING INSULATED CLIPS WERE REMOVED FOR SERVICING OF UNIT, THEY SHOULD BE REPLACED TO PROPERLY SECURE YOUR WIRING.

02391

● NON-REMOVABLE CONNECTIONS

○ REMOVABLE CONNECTIONS

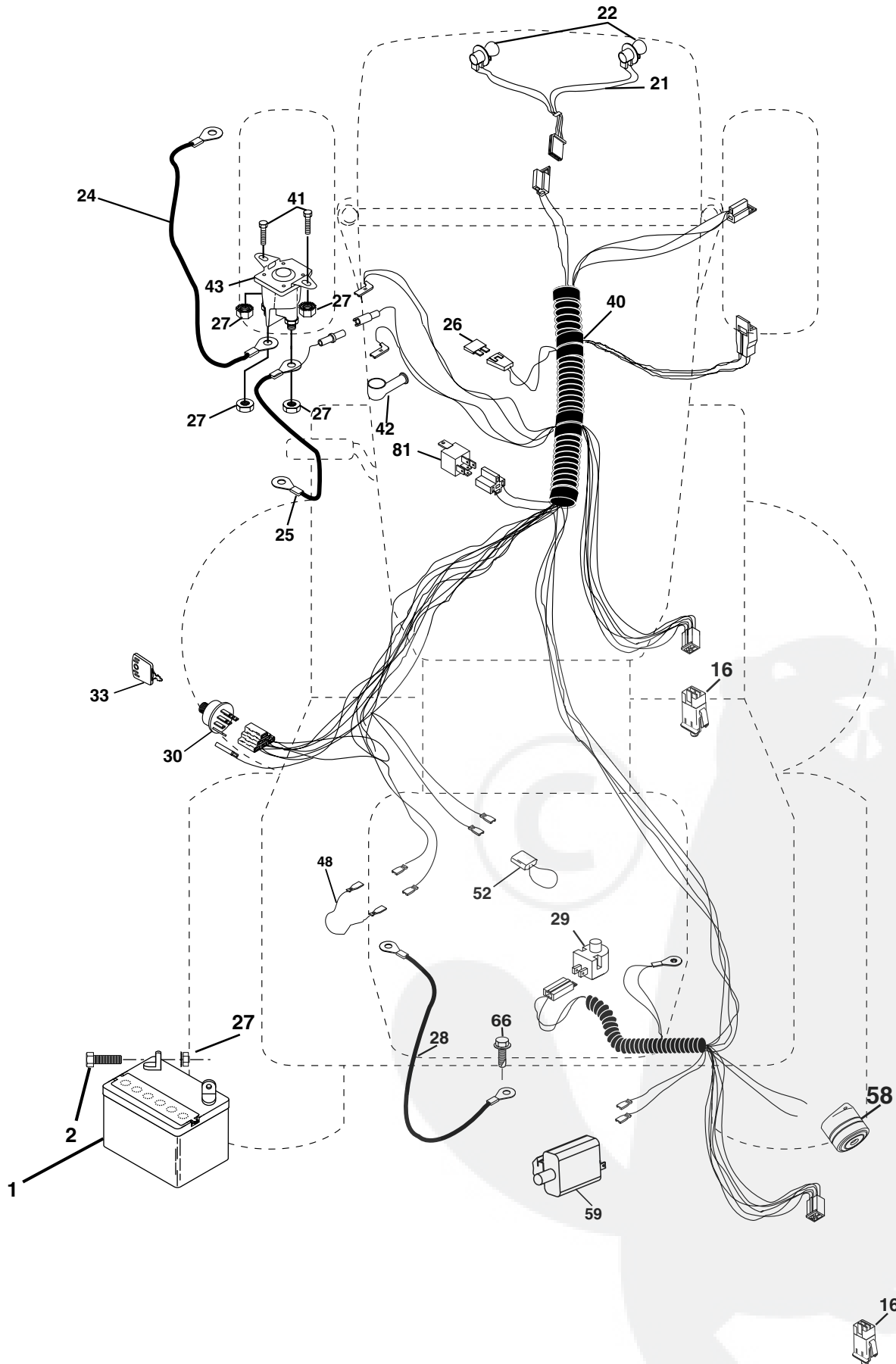
HEADLIGHTS

NOTE
YOUR TRACTOR IS EQUIPPED WITH A SPECIAL ALTERNATOR SYSTEM. THE LIGHTS ARE NOT CONNECTED TO THE BATTERY, BUT HAVE THEIR OWN ELECTRICAL SOURCE. BECAUSE OF THIS, THE BRIGHTNESS OF THE LIGHTS WILL CHANGE WITH ENGINE SPEED. AT IDLE THE LIGHTS WILL DIM, AS THE ENGINE IS SPEEDED UP, THE LIGHTS WILL BECOME THEIR BRIGHTEST.



REPAIR PARTS

TRACTOR- -MODEL NO. P1292RB (96061003500), PRODUCT NO. 964 77 19-01
ELECTRICAL



REPAIR PARTS

TRACTOR- -MODEL NO. P1292RB (96061003500), PRODUCT NO. 964 77 19-01
ELECTRICAL

| KEY NO. | PART NO. | DESCRIPTION |
|---------|--------------|-----------------------------------|
| 1 | 532 16 34-65 | Battery |
| 2 | 874 76 04-12 | Bolt Hex Hd 1/4-20 unc x 3/4 |
| 16 | 532 17 61-38 | Switch Interlock Push-In |
| 21 | 532 17 56-88 | Harness Asm. Light |
| 22 | 532 00 41-52 | Bulb |
| 24 | 532 12 47-80 | Cable Starter 6 Ga. 11" Red |
| 25 | 532 16 59-87 | Cable Battery Crd 56" Red |
| 26 | 532 17 51-58 | Fuse 20 Amp |
| 27 | 873 51 04-00 | Nut Keps Hex 1/4-20 unc |
| 28 | 532 12 77-25 | Cable Ground 6 Ga. 18" Black |
| 29 | 532 12 13-05 | Switch Plunger Normal Gray |
| 30 | 532 17 55-66 | Switch Ignition |
| 33 | 532 14 04-01 | Key Ign |
| 40 | 532 18 80-36 | Harness Ign |
| 41 | 871 11 04-08 | Bolt Flk Fin Hex 1/4-20 unc x 1/2 |
| 42 | 532 13 15-63 | Cover Terminal Red |
| 43 | 532 17 88-61 | Solenoid |
| 48 | 532 14 08-44 | Adapter Ammeter Rectangular |
| 52 | 532 14 19-40 | Protection Wire Loop |
| 58 | 532 16 94-19 | Buzzer Crd |
| 59 | 532 18 03-79 | Switch FBI CRD |
| 66 | 817 49 06-08 | Screw Thdrol 3/8-16 x 1/2 Ty-Tt |
| 81 | 532 10 97-48 | Relay Asm |

NOTE: All component dimensions given in U.S. inches.
1 inch = 25.4 mm.

REPAIR PARTS

TRACTOR- -MODEL NO. P1292RB (96061003500), PRODUCT NO. 964 77 19-01 CHASSIS AND ENCLOSURES

| KEY NO. | PART NO. | DESCRIPTION |
|---------|---------------------|---|
| 1 | 532 17 46-20 | Chassis |
| 2 | 532 18 03-84 | Drawbar |
| 3 | 817 06 06-12 | Screw 3/8-16 x 3/4 |
| 5 | 532 15 52-72 | Bumper Hood/Dash |
| 6 | 532 18 44-19 | Saddle |
| 8 | 532 12 64-71 | Clip Insulator 13/32 Mtg. Hole |
| 9 | 532 19 46-88 | Dash |
| 10 | 872 14 06-08 | Bolt, Carriage 3/8-16 x 3/4 |
| 11 | 532 17 49-96 | Panel, Dash, L.H. |
| 13 | 532 18 17-19 | Panel, Asm. Dash R.H. |
| 15 | 874 18 05-12 | Screw, Machine, Truss Head 5/16-18 unc x 3/4 |
| 16 | 873 51 05-00 | Nut |
| 17 | 532 18 27-16 | Hood |
| 18 | 532 18 49-21 | Bumper Hood |
| 24 | 874 78 06-16 | Bolt |
| 25 | 819 13 13-12 | Washer 13/32 x 13/16 x 12 Gauge |
| 26 | 873 80 06-00 | Nut |
| 28 | 532 17 97-49 | Grille /Lens Asm |
| 29 | 532 18 27-18 | Lens, Grille |
| 30 | 532 18 25-06 | Fender |
| 31 | 532 16 51-56 | Bracket, Fender Support |
| 33 | 532 18 25-07 | Footrest, L.H. |
| 34 | 532 18 25-08 | Footrest, R.H. |
| 35 | 872 11 06-06 | Bolt |
| 37 | 817 49 05-08 | Screw Thdrol 5/16-18 x 1/2 TYT |
| 38 | 532 18 17-48 | Bracket Asm Pivot Mower Rear |
| 39 | 532 17 47-14 | Bracket Pivot Laser LT |
| 69 | 532 14 24-32 | Screw Hx Wsh Hi-Lo 1/4-1/2 |
| 89 | 532 18 13-88 | Console Crd Auto |
| 145 | 532 15 65-24 | Rod Pivot Chassis/Hood |
| 162 | 532 18 03-82 | Bracket Exten Chassis Lh CRD |

| KEY NO. | PART NO. | DESCRIPTION |
|---------|---------------------|-------------------------------------|
| 163 | 532 18 03-83 | Bracket Exten Chassis Rh CRD |
| 164 | 532 16 56-05 | Support Battery CRD |
| 165 | 532 18 13-56 | Cover Battery |
| 166 | 532 17 18-75 | Screw HWHD Hi-Lo #13-16 x 3/4 |
| 170 | 532 17 88-62 | Backplate CRD |
| 171 | 872 14 06-20 | Bolt Rdhd Sqnk 3/8-16 x 2-1/2 Gr. 5 |
| 172 | 819 13 20-16 | Washer 13/32 x 1-1/4 x 16 Ga. |
| 173 | 873 51 06-00 | Nut, Keps Hex 3/8-16 unc |
| 175 | 532 18 82-03 | Guard Trap |
| 179 | 532 18 03-76 | Rod Pivot FBI CRD |
| 184 | 532 17 46-62 | Bracket Actuator Bagger CRD |
| 185 | 532 18 11-01 | Knob Rod Brake Parking |
| 186 | 532 16 07-93 | Latch Asm Mulch/Bagger |
| 187 | 532 12 50-04 | Nut Weld |
| 188 | 819 06 12-16 | Washer #10 |
| 189 | 810 07 10-00 | Washer Lock #10 |
| 190 | 871 08 10-10 | Screw Pan Hd Phillip 10-24 x 5/8 |
| 198 | 532 16 89-37 | Nut, Push |
| 205 | 817 49 06-08 | Screw Thdrol 3/8-16 x 1/2 |
| 207 | 817 67 05-08 | Screw Thdrol 5/16-18 x 1/2 |
| 208 | 817 67 06-08 | Screw Thdrol 3/8-16 x 1/2 |
| 209 | 817 00 06-12 | Screw Hex Wsh Thdrol 3/8-16 |
| 212 | 532 17 51-43 | Insert Lens Reflective |
| 256 | 532 18 13-61 | Cover Fender Rack |
| 265 | 532 18 57-04 | Seal Side RH Bagger |
| 266 | 532 18 57-03 | Seal Side LH Bagger |
| -- | 532 00 54-79 | Plug, Button |
| -- | 532 19 39-35 | Plug Switch Light |

NOTE: All component dimensions given in U.S. inches.
1 inch = 25.4 mm.

REPAIR PARTS

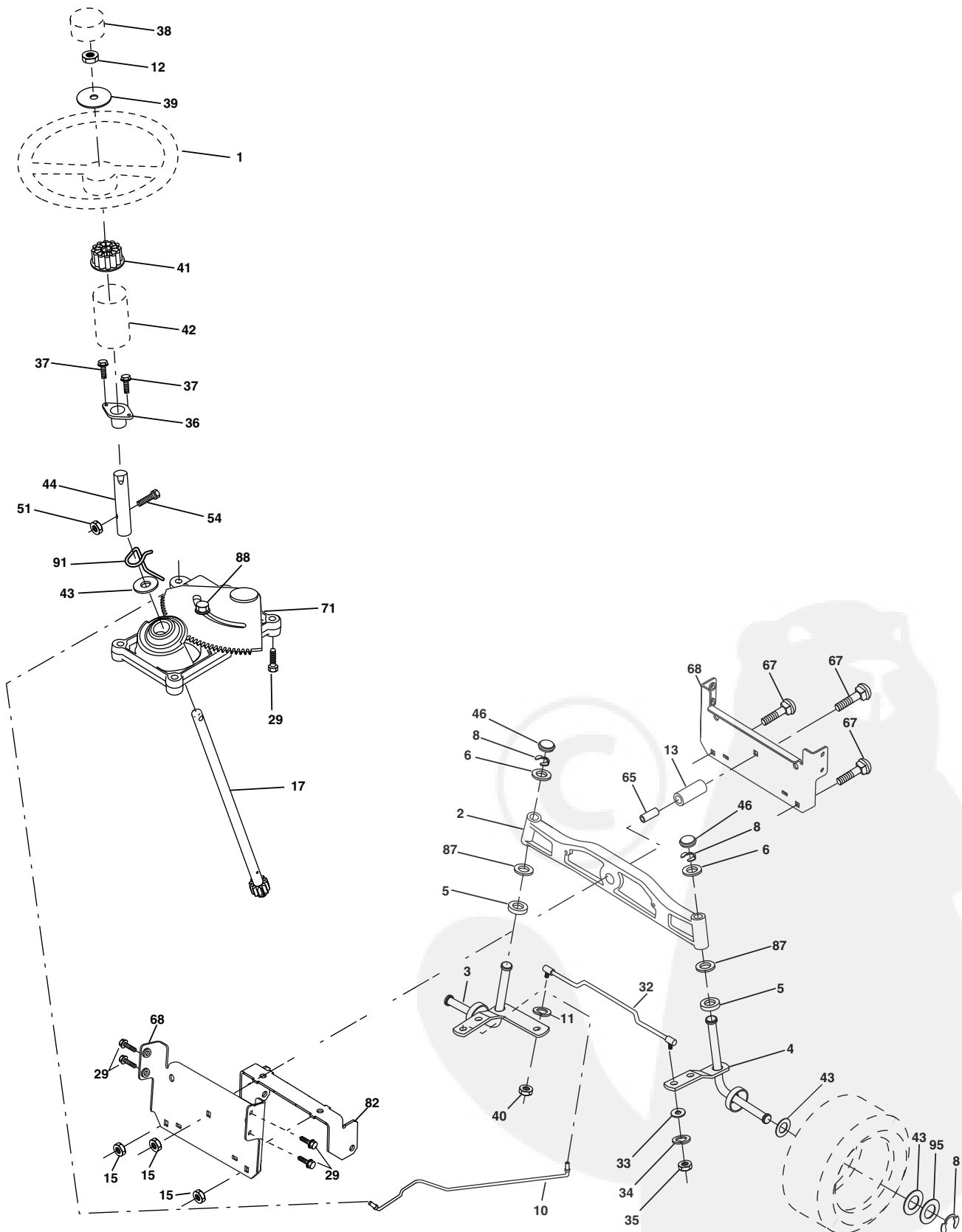
TRACTOR- -MODEL NO. P1292RB (96061003500), PRODUCT NO. 964 77 19-01
DRIVE

| KEY NO. | PART NO. | DESCRIPTION | KEY NO. | PART NO. | DESCRIPTION |
|---------|---------------------|---|---------|---------------------|---------------------------------------|
| 1 | ----- | Transaxle Peerless 206-546 Order parts from transaxle manufacturer | 79 | 532 12 50-96 | Key Woodruff |
| 2 | 532 14 66-82 | Spring Brake Return | 80 | 532 14 50-90 | Arm Shift PMST 20" Tires |
| 3 | 532 16 59-99 | Pulley Transaxle | 82 | 532 16 57-11 | Spring, Torsion |
| 4 | 812 00 00-28 | Ring Retainer #5100-62 | 83 | 819 17 12-16 | Washer 17/32 x 3/4 x 16 Ga. |
| 5 | 532 12 15-20 | Strap torque 30 degrees | 84 | 532 16 56-20 | Link Shift |
| 6 | 817 06 05-12 | Screw 5/16-18 x 3/4 | 96 | 532 12 47-88 | Spring, Retainer 1" |
| 8 | 532 16 56-19 | Rod Shift Fender Adjust Lt | 112 | 819 09 12-10 | Washer 9/32 x 3/4 x 10 Ga. |
| 9 | 532 18 03-54 | Clutch Asm Noram | 113 | 532 12 72-85 | Strap Torque |
| 10 | 876 02 04-16 | Pin, Cotter 1/8 x 1 | 120 | 873 90 06-00 | Nut Lock 3/8-16 |
| 11 | 532 10 57-01 | Washer Plate Shf .3888 sq hole | 150 | 532 16 58-50 | Bushing, Bellcrank Grnd Dr |
| 13 | 874 55 04-12 | Bolt 1/4-28 unF Gr. 8 w/patch | 151 | 819 13 32-10 | Washer 13/32 x 2 x 10 Ga. |
| 14 | 810 04 04-00 | Washer, Lock Hvy Helical | 156 | 532 16 60-02 | Washer Srrd 5/16 ID x 1.125 |
| 15 | 874 49 05-40 | Bolt Hex FGHD 5/16-18 x Gr. 5 | 158 | 532 16 55-89 | Bracket Shift Mount |
| 16 | 873 80 05-00 | Nut, Lock Hex w/Ins 5/16-18 unc | 159 | 532 18 39-00 | Hub Shift |
| 18 | 874 78 06-16 | Bolt Hex 3/8-16 unc x 1 Gr. 5 | 160 | 532 16 98-45 | Washer Nylon |
| 19 | 873 80 06-00 | Nut, Lock Hex w/Wsh 3/8-16 unc | 161 | 872 14 04-06 | Bolt Rdhd Sqnk 1/4-20 x 3/4 Gr. 5 |
| 21 | 532 10 69-33 | Knob Round 1/2-13 unc Blk | 162 | 873 68 04-00 | Nut Crownlock 1/4-20 unc |
| 22 | 532 17 56-07 | Rod, Brake CRD Main | 163 | 874 78 04-16 | Bolt Hex Fin 1/4-20 unc x 1 Gr. 5 |
| 24 | 873 35 06-00 | Nut | 165 | 532 16 56-23 | Bracket Pivot Lever |
| 25 | 532 10 68-88 | Spring, Rod, Brake | 166 | 817 49 05-10 | Screw 5/16-18 x 5/8 |
| 26 | 819 13 13-16 | Washer 13/32 x 13/16 x 16 Ga. | 167 | 532 16 55-88 | Bracket Support Shift CRD |
| 27 | 876 02 04-12 | Pin, Cotter 1/8 x 3/4 | 168 | 532 16 54-92 | Bolt Shoulder 5/16-18 x .561 |
| 28 | 532 17 57-65 | Rod, Parking Brake | 171 | 817 49 06-08 | Screw Thdrol 3/8-16 x 1/2 Ty-Tt |
| 29 | 532 07 16-73 | Cap, Parking Brake | 172 | 532 16 56-35 | Shaft Asm Shift Front CRD PMST |
| 30 | 532 16 95-92 | Bracket, Mfg. Transaxle | 177 | 532 16 59-32 | Keeper Flat Idler 3.06" CRD |
| 34 | 532 17 55-78 | Shaft, Asm Pedal Foot CRD | 178 | 532 16 59-33 | Keeper Belt Idler 1.88" CRD |
| 35 | 532 12 01-83 | Bearing, Nylon | 179 | 532 12 09-58 | Washer Sintered |
| 36 | 819 21 16-16 | Washer 21/32 x 1 x 16 Ga. | 180 | 532 16 56-30 | Pulley Flat Composite 3.06" |
| 37 | 532 12 49-63 | Pin, Roll 3/16 x 1" | 181 | 532 18 02-11 | Bracket Idler Ground Drive CRD |
| 38 | 532 16 59-36 | Pulley, Flat | 182 | 532 18 26-82 | Keeper Belt 2.5" Od V-Idler CRD |
| 39 | 874 76 06-44 | Bolt Fin Hex 3/8-16 unc x 2-3/4 | 183 | 532 18 60-07 | Pulley V-Idler 2.50" Od CRD |
| 40 | 532 12 49-65 | Spacer, Split 395 x 59 Bzp | 184 | 817 49 06-44 | Screw Hexwsh Thdrol 3/8-16 x 2-3/4 |
| 42 | 819 13 13-12 | Washer 13/32 x 13/16 x 12 Ga. | 187 | 817 58 05-20 | Screw 5/16-18 x 1.25 |
| 43 | 819 11 10-12 | Washer 11/32 x 5/8 x 12 Ga. | 203 | 871 17 07-80 | Bolt Hex 7/16-20 x 5 |
| 47 | 532 12 77-83 | Pulley, Idler, V Groove Plasic | 214 | 532 17 56-09 | Shaft Asm. Brake |
| 48 | 532 15 44-07 | Bellcrank Clutch Grnd Drv | 215 | 532 17 56-51 | Rod Brake Secondary |
| 49 | 532 12 32-05 | Retainer, Belt Style Spring | 253 | 532 17 50-28 | Bracket Cable Chassis |
| 50 | 872 11 06-12 | Bolt Carr Sh 3/8-16 x 1-1/2 Gr. 5 | 254 | 817 00 06-16 | Screw 3/8-16 x 1 |
| 51 | 873 68 06-00 | Nut, Crownlock 3/8-16 unc | 255 | 532 17 56-08 | Brace Shaft Brake |
| 53 | 532 10 57-10 | Link, Clutch 7.66 | 258 | 532 17 80-62 | Clip Retainer |
| 55 | 532 10 57-09 | Spring, Return, Clutch | 261 | 532 13 14-94 | Pulley Idler Flat Plated |
| 56 | 817 06 06-20 | Screw 3/8-16 x 1-1/4 | 263 | 817 00 06-12 | Screw Hex Wsh THDR 3/8-16 x 3/4 |
| 57 | 532 16 56-31 | V-Belt Kev PMST CRD | 264 | 532 18 19-95 | Bracket Clutch |
| 62 | 532 12 48-72 | Cover, Pedal | 265 | 532 18 20-13 | Spacer Idler Chassis |
| 65 | 810 04 07-00 | Washer | 266 | 532 18 20-61 | Shield Idler |
| 66 | 532 15 47-78 | Keeper, Belt Engine F-Proof | 267 | 872 14 06-26 | Bolt Rd Sqk 3/8-16 x 3-1/4 |
| 74 | 532 13 70-57 | Spacer Axle | 268 | 532 18 24-02 | Guard Muffler OHV B&S RH |
| 75 | 532 12 17-49 | Washer 25/32 x 1-1/4 x 16 Ga. | | | |
| 76 | 812 00 00-01 | Ring, E | | | |
| 77 | 532 12 35-83 | Key, Square | | | |
| 78 | 532 12 17-48 | Washer 25/32 x 1-5/8 x 16 Ga. | | | |

NOTE: All component dimensions given in U.S. inches
1 inch = 25.4 mm

REPAIR PARTS

TRACTOR- -MODEL NO. P1292RB (96061003500), PRODUCT NO. 964 77 19-01
STEERING ASSEMBLY



steering_pl.it_29

REPAIR PARTS

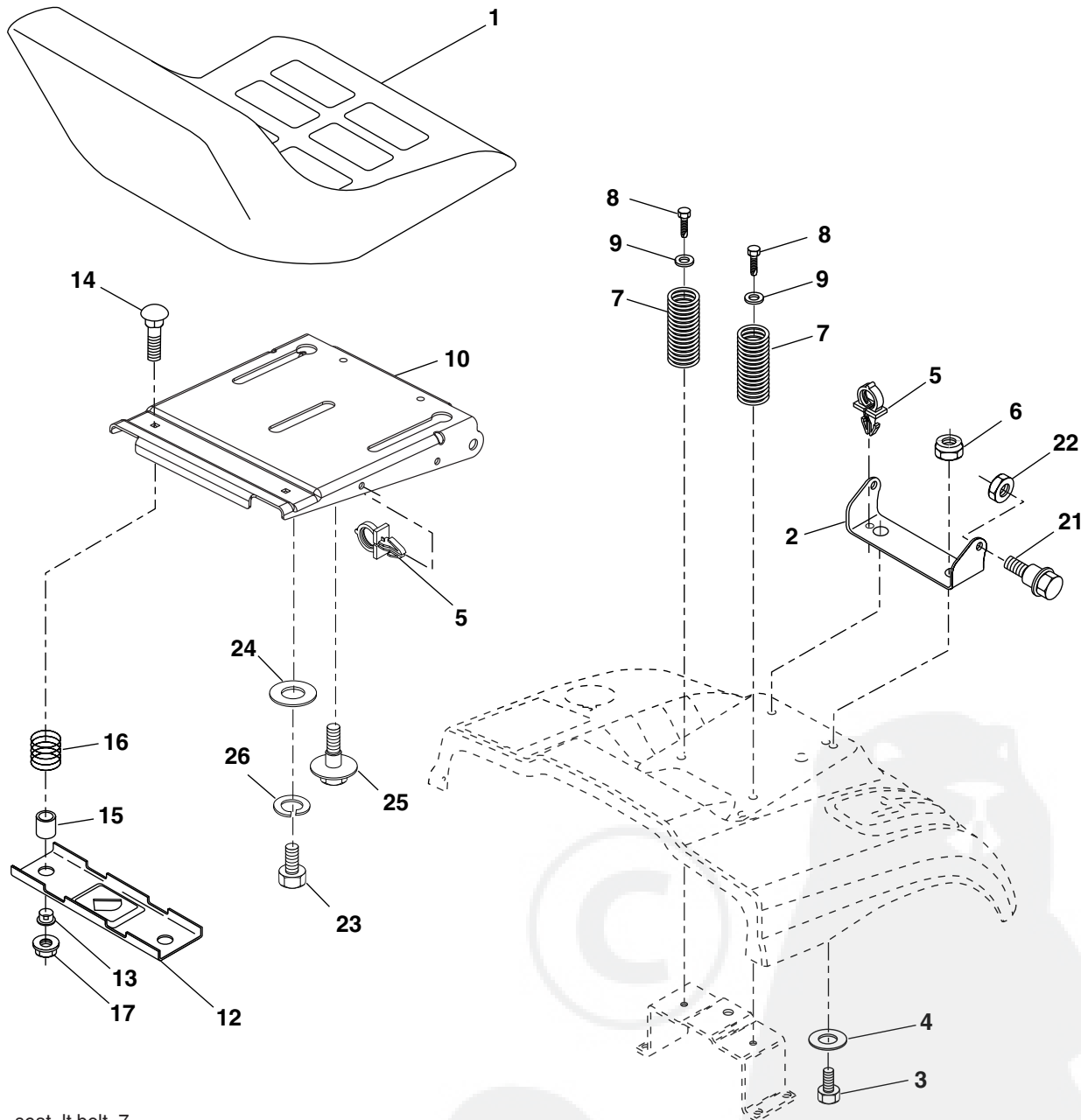
TRACTOR- -MODEL NO. P1292RB (96061003500), PRODUCT NO. 964 77 19-01
STEERING ASSEMBLY

| KEY NO. | PART NO. | DESCRIPTION |
|---------|---------------------|----------------------------------|
| 1 | 532 18 67-80 | Steering Wheel |
| 2 | 532 18 47-06 | Cast Iron Axle Assembly |
| 3 | 532 16 98-40 | Spindle Assembly, L.H. |
| 4 | 532 16 98-39 | Spindle Assembly, R.H. |
| 5 | 532 12 49-31 | Bearing, Race, Thrust, Hardened |
| 6 | 532 12 17-48 | Washer 25/32 x 1-5/8 x 16 Ga. |
| 8 | 812 00 00-29 | Ring, Klip |
| 10 | 532 17 51-21 | Link, Drag |
| 11 | 810 04 06-00 | Washer, Lock |
| 12 | 873 94 08-00 | Nut Hex Jam Toplock 1/2-20 |
| 13 | 532 13 65-18 | Spacer Brg Axle Front |
| 15 | 532 14 52-12 | Nut, Hexflange Lock |
| 17 | 532 18 06-41 | Shaft Assembly, Steering |
| 29 | 817 00 06-12 | Screw, 3/8-16 x 3/4 |
| 32 | 532 17 01-62 | Rod, Tie |
| 33 | 819 11 12-16 | Washer 11/32 x 3/4 x 16 Ga. |
| 34 | 810 04 05-00 | Washer Lock Hvy Hlcl Spr 5/16 |
| 35 | 873 54 05-00 | Nut Crownlock 5/16-24 unf |
| 36 | 532 15 50-99 | Bushing, Steering |
| 37 | 532 15 29-27 | Screw TT #10-32 x 5 x 3/8 Flange |
| 38 | 532 19 29-16 | Cap Wheel Steer |
| 39 | 819 18 38-12 | Washer 9/16 x 2-3/8 x 12 Ga. |
| 40 | 873 54 06-00 | Nut Crownlock 3/8-24 |
| 41 | 532 18 67-37 | Adaptor, Steering Wheel |
| 42 | 532 16 96-33 | Boot, Steering Dash P/L Mtl |
| 43 | 532 12 17-49 | Washer 25/32 x 1-1/4 x 16 Ga. |
| 44 | 532 18 06-40 | Extension Steering |
| 46 | 532 12 12-32 | Cap, Spindle |
| 51 | 873 54 04-00 | Nut Crownlock 1/4-28 |
| 54 | 871 13 04-20 | Bolt Hex 1/4-28 unf x 1-1/4 |
| 65 | 532 16 03-67 | Spacer Brace Axle |
| 67 | 872 11 06-18 | Bolt Rdhd Sq 3/8-16 unc x 2-1/4 |
| 71 | 532 17 51-46 | Steering Asm. |
| 68 | 532 16 98-27 | Brace Axle |
| 82 | 532 16 98-35 | Bracket Susp Chassis Front |
| 87 | 532 17 39-66 | Washer Flat .781 x 1-1/2 x .14 |
| 88 | 532 17 51-18 | Bolt Shoulder 7/16-20 unc |
| 91 | 532 17 55-53 | Clip Steering |
| 95 | 532 18 89-67 | Washer Hardened |

NOTE: All component dimensions given in U.S. inches.
1 inch = 25.4 mm.

REPAIR PARTS

TRACTOR- -MODEL NO. P1292RB (96061003500), PRODUCT NO. 964 77 19-01
SEAT ASSEMBLY



seat_lt.bolt_7

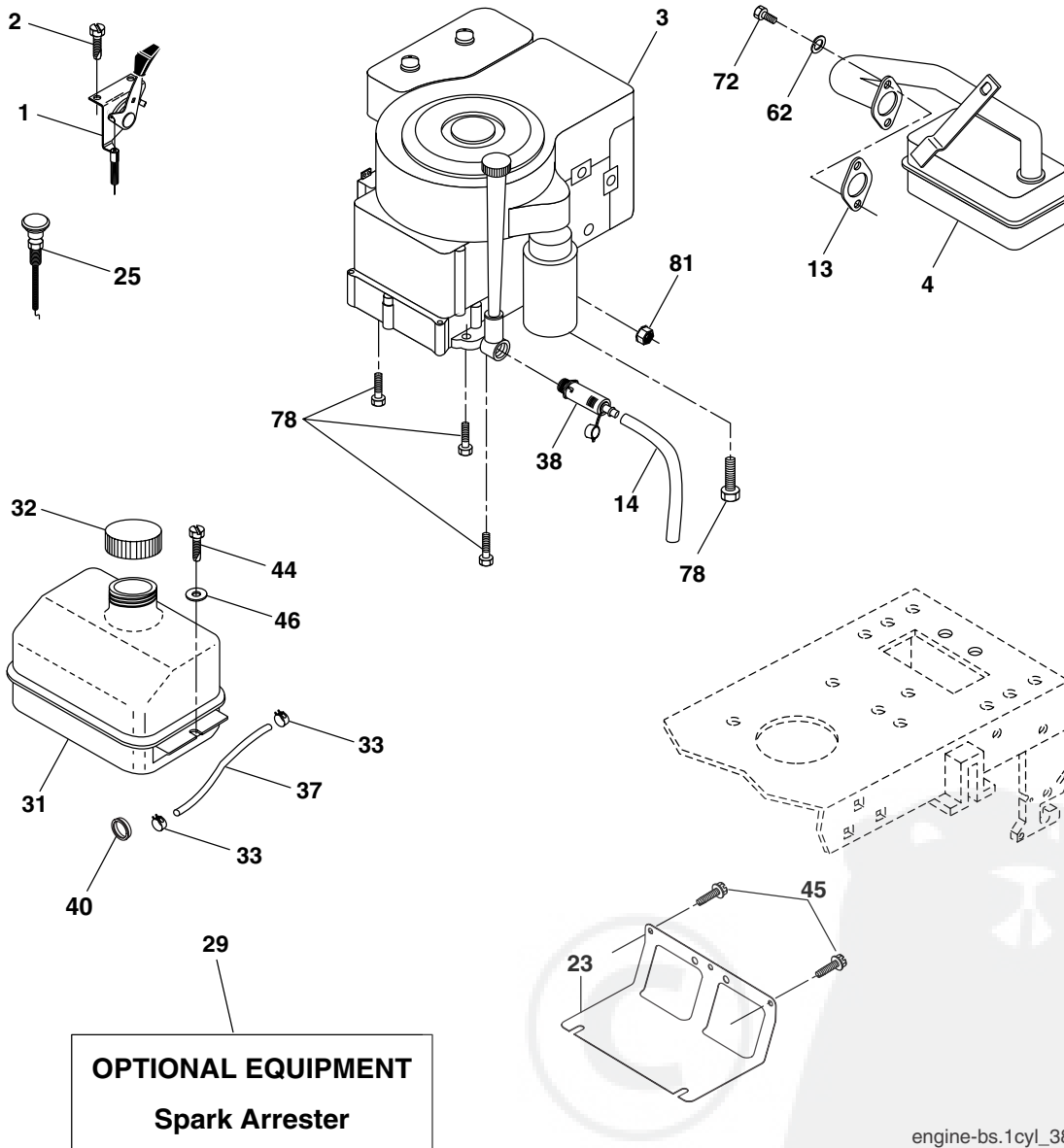
| KEY NO. | PART NO. | DESCRIPTION |
|---------|--------------|--------------------------------|
| 1 | 532 18 87-04 | Seat |
| 2 | 532 18 01-66 | Bracket Pivot Seat |
| 3 | 871 11 06-16 | Bolt Fin Hex 3/8-16 unc x 1 |
| 4 | 819 13 16-10 | Washer Flat 13/32 x 1 x 10 Ga. |
| 5 | 532 14 50-06 | Clip Push In Hinged |
| 6 | 873 80 06-00 | Nut Lock Hex 3/8-16 unc |
| 7 | 532 12 41-81 | Spring Seat Cprsn 2 250 Blk Zi |
| 8 | 817 00 06-16 | Screw 3/8-16 x 1-1/2 |
| 9 | 819 13 16-14 | Washer 13/32 x 1 x 14 Ga. |
| 10 | 532 18 01-86 | Pan Seat |
| 12 | 532 12 12-46 | Bracket Pnt Mounting Switch |
| 13 | 532 12 12-48 | Bushing Snap Blk Nyl 50 Id |

| KEY NO. | PART NO. | DESCRIPTION |
|---------|--------------|---------------------------------|
| 14 | 872 05 04-12 | Bolt Rdhd Sht Nk 1/4-20 x 1-1/2 |
| 15 | 532 13 43-00 | Spacer Split |
| 16 | 532 12 12-50 | Spring Cprsn Plate SW 1.310 Ga. |
| 17 | 532 12 39-76 | Nut Lock 1/4 Lge Flg Gr. 5 Zinc |
| 21 | 532 17 18-52 | Bolt Shoulder 5/16-18 unc-2A |
| 22 | 873 80 05-00 | Nut Hex Lock w/Ins 5/16-18 |
| 23 | 871 11 08-14 | Bolt Hex Black |
| 24 | 819 17 19-12 | Washer 17/32 x 1-3/16 x 12 Ga. |
| 25 | 532 12 70-18 | Bolt Shoulder 5/16-18 x 62 |
| 26 | 810 04 08-00 | Washer Lock Hvy Hlcl Spr 1/2 |

NOTE: All component dimensions given in U.S. inches.
1 inch = 25.4 mm

REPAIR PARTS

TRACTOR- -MODEL NO. P1292RB (96061003500), PRODUCT NO. 964 77 19-01
ENGINE



engine-bs.1cyl_38

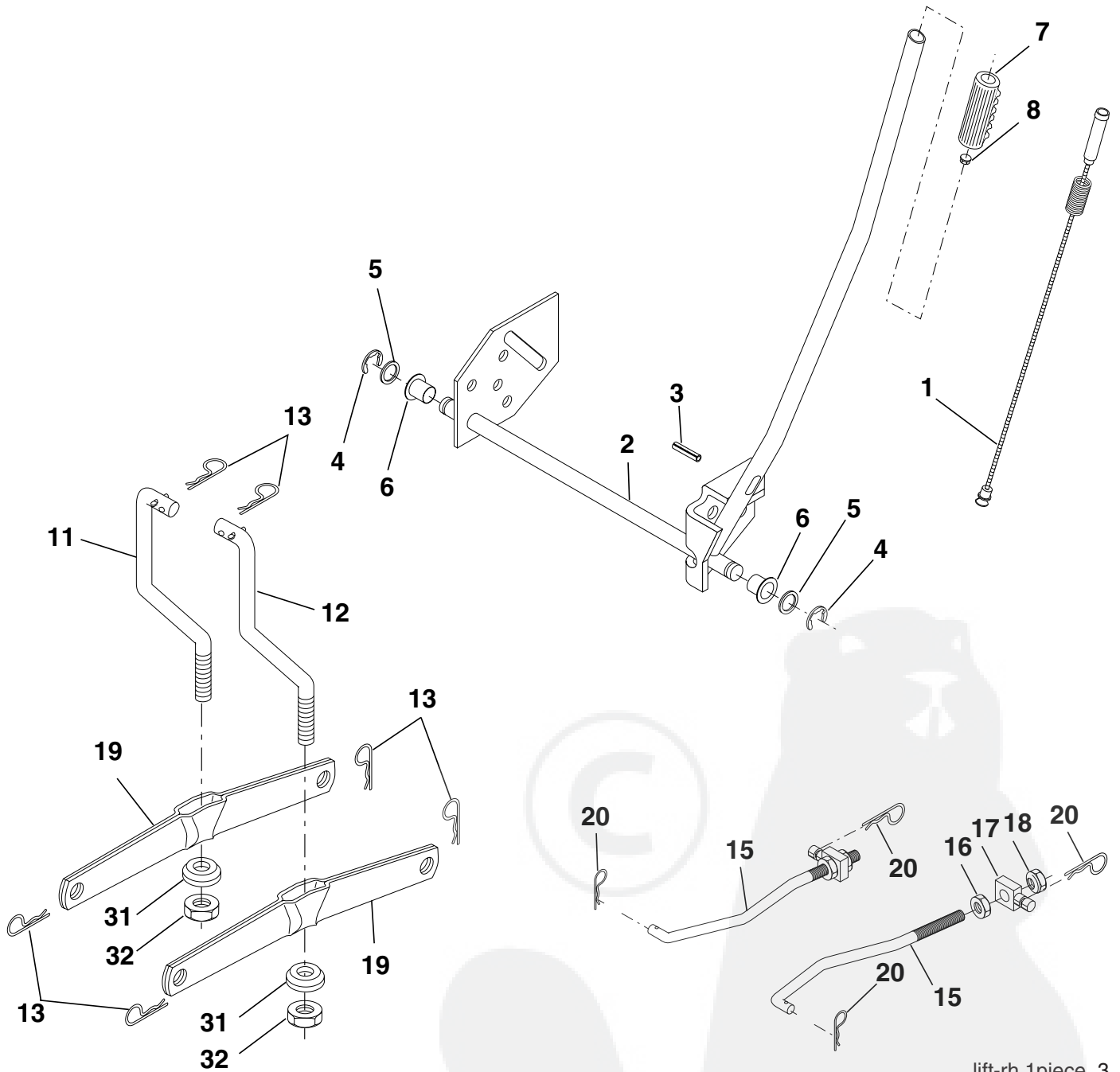
| KEY NO. | PART NO. | DESCRIPTION |
|---------|---------------------|---|
| 1 | 532 17 05-51 | Control Throttle |
| 2 | 817 72 04-08 | Screw Hex Thd Cut 1/4-20 x 1/2 |
| 3 | ----- | Engine B&S Model 219707 (Order Parts from Engine Manufacturer) |
| 4 | 532 17 97-58 | Muffler Exhaust B&S Lt |
| 13 | 532 16 52-91 | Gasket 1 313 Id Tin Plated |
| 14 | 532 14 84-56 | Tube Drain Oil Easy |
| 23 | 532 16 98-37 | Shield Browning/Debris Guard |
| 25 | 532 19 06-95 | Control Choke |
| 26 | 873 92 06-00 | Nut Keps 3/8-24 unf |
| 29 | 532 13 71-80 | Arrestor Spark |
| 31 | 532 18 77-50 | Tank Fuel |
| 32 | 532 14 05-27 | Cap Asm Fule Top Vent N/Lany |
| 33 | 532 12 34-87 | Clamp Hose Blk |

| KEY NO. | PART NO. | DESCRIPTION |
|---------|---------------------|----------------------------------|
| 37 | 532 13 70-40 | Line Fuel 20" |
| 38 | 532 18 16-54 | Plug Drain Oil Easy |
| 40 | 532 12 40-28 | Bushing Snap |
| 44 | 817 67 04-12 | Screw Hexwsh Thdrol 3/8-16 x 3/4 |
| 45 | 817 00 06-12 | Screw 3/8-16 x 3/4 |
| 46 | 819 09 14-16 | Washer 9/32 x 7/8 x 16 Ga. |
| 62 | 810 04 05-00 | Washer Lock Hvy HLCL Spr. 5/16 |
| 72 | 871 07 05-12 | Screw Hex HD Cap 5/16-18 x 3/4 |
| 78 | 817 06 06-20 | Screw 3/8-16x1-1/4 |
| 81 | 873 51 04-00 | Nut Keps Hex 1/4-20 unc |

NOTE: All component dimensions given in U.S. inches
1 inch = 25.4 mm

REPAIR PARTS

TRACTOR- -MODEL NO. P1292RB (96061003500), PRODUCT NO. 964 77 19-01
MOWER LIFT



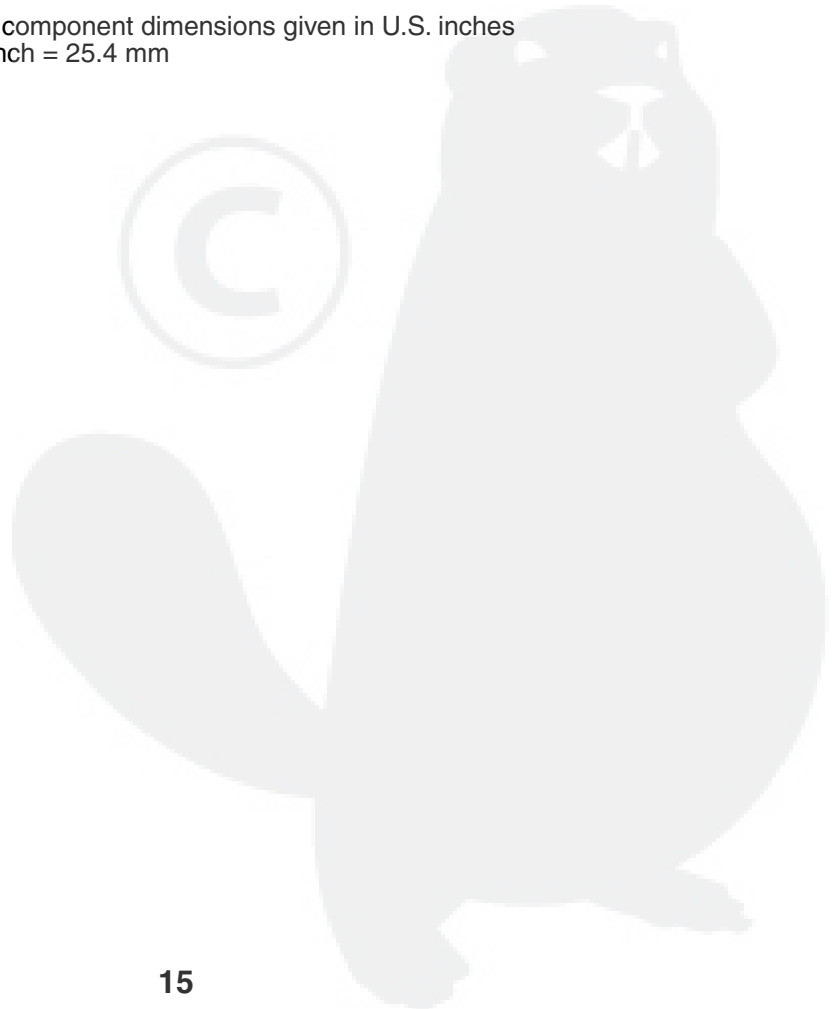
lift-rh.1piece_3

REPAIR PARTS

TRACTOR- -MODEL NO. P1292RB (96061003500), PRODUCT NO. 964 77 19-01
MOWER LIFT

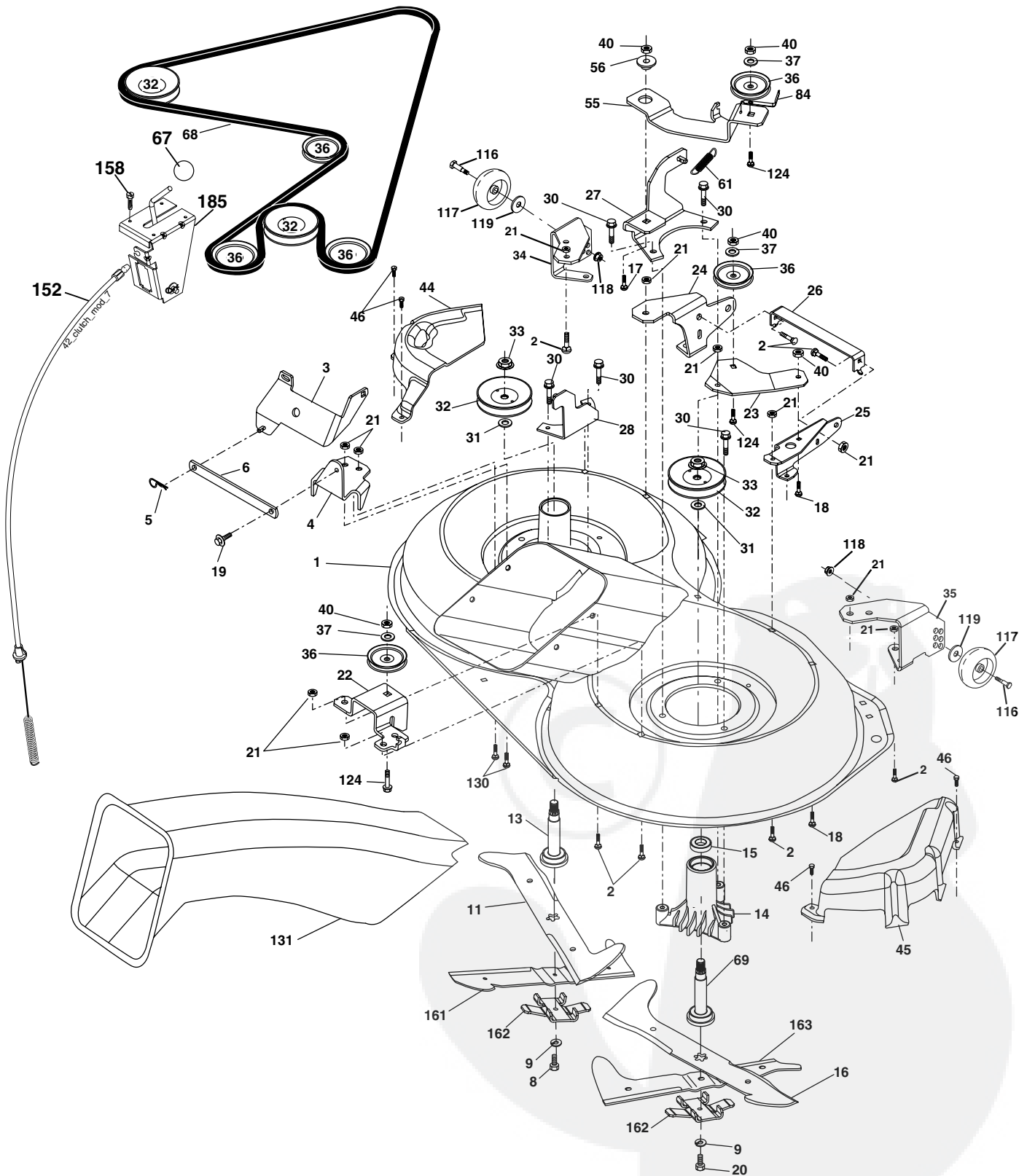
| KEY NO. | PART NO. | DESCRIPTION |
|---------|--------------|---------------------------------|
| 1 | 532 15 94-60 | Wire Asm Inner Spring W/Plunger |
| 2 | 532 15 94-71 | Shaft Asm. Lift |
| 3 | 532 10 57-67 | Pin Groove |
| 4 | 812 00 00-02 | E Ring #5133-62 |
| 5 | 819 21 16-21 | Washer 21/32 x 1 x 21 Ga. |
| 6 | 532 12 01-83 | Bearing Nylon |
| 7 | 532 10 94-13 | Grip Handle Bicycle |
| 8 | 532 12 45-26 | Button Plunger Black |
| 11 | 532 16 58-29 | Link Asm Lift L.H. |
| 12 | 532 16 58-31 | Link Asm Lift R.H. |
| 13 | 532 12 46-70 | Retainer Spring |
| 15 | 532 17 32-88 | Link Front |
| 16 | 873 35 08-00 | Nut Jam Hex 1/2-13 unc |
| 17 | 532 17 56-89 | Trunnion Blk Zinc |
| 18 | 873 80 08-00 | Nut Lock w/Wsh 1/2-13 unc |
| 19 | 532 13 98-68 | Arm Suspension Mower |
| 20 | 532 16 35-52 | Retainer Spring |
| 31 | 532 16 98-65 | Bearing, Pvt. Lift. |
| 32 | 873 54 06-00 | Nut Crownlock 3/8-24 |

NOTE: All component dimensions given in U.S. inches
1 inch = 25.4 mm



REPAIR PARTS

TRACTOR- -MODEL NO. P1292RB (96061003500), PRODUCT NO. 964 77 19-01
MOWER



36(92cm)_deck-elect.(CRD)_1

REPAIR PARTS

TRACTOR- -MODEL NO. P1292RB (96061003500), PRODUCT NO. 964 77 19-01
MOWER

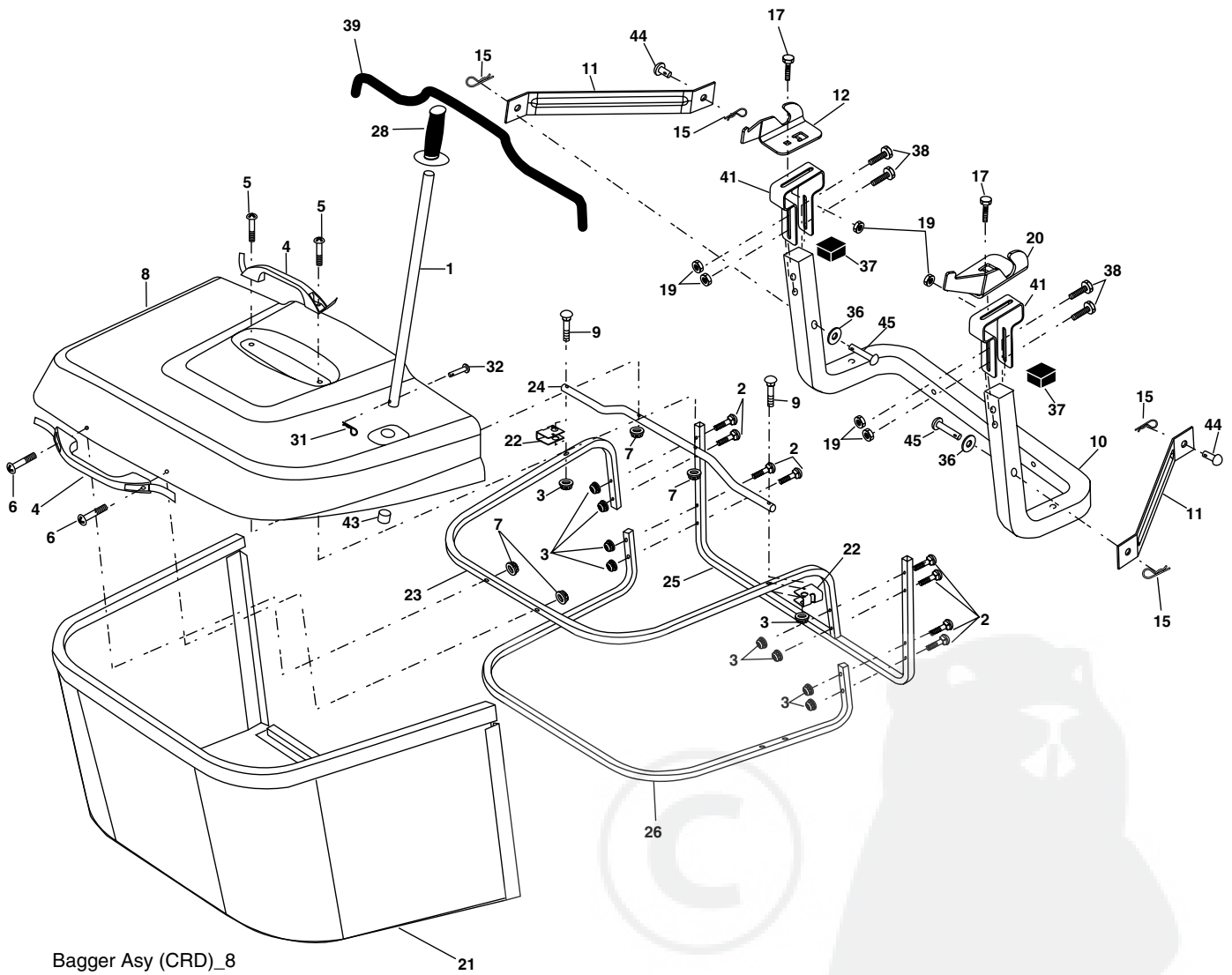
| KEY NO. | PART NO. | DESCRIPTION |
|---------|--------------|-------------------------------------|
| 1 | 532 16 55-52 | Housing Asm. Mower |
| 2 | 872 14 05-06 | Bolt Rdhd Sqnk 5/16-18 unc x 3/4 |
| 3 | 532 16 55-69 | Bracket Asm. S-Bar Chass |
| 4 | 532 16 55-58 | Bracket Bar Sway Deck |
| 5 | 532 12 46-70 | Retainer Spring |
| 6 | 532 16 55-57 | Bar Sway |
| 8 | 532 18 17-12 | Bolt 3/8-24 x 1.25 Gr. 8 Patched |
| 9 | 810 03 06-00 | Washer Lock Hvy 3/8 Unplated |
| 11 | 532 18 63-85 | Blade 3-1 Lh |
| 13 | 532 13 76-45 | Shaft Asm. W/Lower Bearing |
| 14 | 532 12 87-74 | Housing Mandrel Vented (Machd) |
| 15 | 532 11 04-85 | Bearing Ball Mandrel |
| 16 | 532 18 63-86 | Blade 3-1 Rh |
| 17 | 872 14 06-10 | Bolt Carriage 3/8-16 x 1-1/4 |
| 18 | 872 11 06-06 | Bolt Rdhd Sqnk 3/8-16 x 3/4 |
| 19 | 532 13 28-27 | Bolt Shoulder 5/16-18 Thd Form |
| 20 | 532 18 17-13 | Bolt 3/8-24 x 1.25 Gr. 8 Ptch Lhthd |
| 21 | 873 68 05-00 | Nut Crown Lock 5/16-18 |
| 22 | 532 16 52-43 | Bracket Idler Sprt RR |
| 23 | 532 16 54-46 | Bracket Idler Sprt RF |
| 24 | 532 16 52-42 | Bracket Suspension LF |
| 25 | 532 16 52-44 | Bracket Suspension RF |
| 26 | 532 16 52-37 | Brace Support Susp Frt CRD |
| 27 | 532 16 55-68 | Bracket Asm. Susp RR |
| 28 | 532 16 55-67 | Bracket Asm. Susp LR |
| 30 | 532 17 39-84 | Screw Thd Rolling Washer Head |
| 31 | 532 18 76-90 | Washer Spacer |
| 32 | 532 15 35-31 | Mandrel Pulleys 36 & 46 |
| 33 | 532 17 83-42 | Nut Flg Top Lock |
| 34 | 532 16 52-39 | Bracket Gauge Wheel Lf |
| 35 | 532 16 52-38 | Bracket Gauge Wheel Rf |
| 36 | 532 14 67-63 | Pulley Idler V-Groove Dim 4.25 |
| 37 | 819 13 13-16 | Washer 11/32 x 13/16 x 16 Ga. |
| 40 | 873 68 06-00 | Nut Crownlock 3/8-16 unc |
| 41 | 873 90 06-00 | Nut Crownlock 3/8-16 unc |

| KEY NO. | PART NO. | DESCRIPTION |
|---------|--------------|--|
| 44 | 532 17 55-38 | Cover Mandrel Lh |
| 45 | 532 17 55-39 | Cover Mandrel Rh |
| 46 | 532 13 77-29 | Screw Thd Roll 1/4-20 x 5/8 |
| 55 | 532 16 54-45 | Arm Idler |
| 56 | 532 16 57-23 | Spacer Retainer PM Mower |
| 61 | 532 16 59-45 | Spring Tension Belt |
| 67 | 532 10 69-32 | Knob Rd 3/8-16 Plstc Thds Blk |
| 68 | 532 18 02-17 | Hex-Belt 92 Mower |
| 69 | 532 16 54-82 | Shaft Asm W/Lwr Brg Rh Thd CRD |
| 84 | 532 15 60-85 | Keeper Belt Idler |
| 116 | 532 18 42-19 | Bolt Shoulder |
| 117 | 532 13 39-57 | Wheel Gage Donut Wide |
| 118 | 873 93 06-00 | Nut Centerlock 3/8-16 unc |
| 119 | 819 12 14-14 | Washer 3/8 x 7/8 x 14 Ga. |
| 124 | 872 11 06-12 | Bolt Carr Sh 3/8-16 x 1-1/2 Gr. 5 |
| 130 | 872 11 05-06 | Bolt Rdhdsqnk 5/16-18 unc x 3/4 |
| 131 | 532 16 56-61 | Chute Bagger CRD |
| 152 | 532 17 60-74 | Cable Clutch CRD Service |
| 158 | 817 72 04-08 | Screw Hex Thdcut 1/4-20 x 5/8 |
| 161 | 532 18 63-87 | Blade Cross Lh 92 |
| 162 | 532 18 08-78 | Adpater Blade Cross |
| 163 | 532 18 63-88 | Blade Cross Rh 92 |
| 185 | 532 18 82-34 | Head Asm. Cable Clutch |
| -- | 532 18 18-57 | Mandrel Asm Service |
| -- | 532 18 18-58 | Mandrel Asm CRD Lh Threads SVC |
| -- | 532 18 85-23 | Replacement Mower Complete- - (Std. deck Order separately gauge wheel components Key Nos. 116- 119) |

NOTE: All component dimensions given in U.S. inches
1 inch = 25.4 mm

REPAIR PARTS

TRACTOR- -MODEL NO. P1292RB (96061003500), PRODUCT NO. 964 77 19-01
BAGGER



Bagger Asy (CRD)_8

REPAIR PARTS

TRACTOR- -MODEL NO. P1292RB (96061003500), PRODUCT NO. 964 77 19-01
BAGGER

| KEY NO. | PART NO. | DESCRIPTION |
|---------|---------------------|--------------------------------------|
| 1 | 532 16 52-49 | Tube Handle Bagger CRD |
| 2 | 872 14 04-16 | Bolt Carriage 1/4-20 x 2.0 Gr.5 |
| 3 | 532 12 39-76 | Nut Lock 1/4 Lge Flg Gr. 5 Zinc |
| 4 | 532 16 99-16 | Handle Bagger w/Lvrs Gr. 5 Zinc |
| 5 | 874 98 10-24 | Screw Pan Head #10-24 x 1.50 Blk |
| 6 | 874 98 10-32 | Screw Pan Hd |
| 7 | 873 40 10-00 | Nut Wiz Lock Hex Serr/Hd #10-24 |
| 8 | 532 18 25-14 | Cover Bagger Steel |
| 9 | 872 14 04-18 | Bolt Carriage 1/4-20 x 2.25d x Gr. 5 |
| 10 | 532 18 12-82 | Tube Support Bagger CRD |
| 11 | 532 16 57-19 | Bracket Support Upper Bag CRD |
| 12 | 532 18 88-48 | Bracket Pivot LH |
| 17 | 872 14 05-06 | Bolt Rdhd Sht Sqnk 5/16-18 unc x 3/4 |
| 19 | 873 90 05-00 | Nut Lock Hex Flange 5/16-18 |
| 20 | 532 18 88-47 | Bracket Pivot RH |
| 21 | 532 18 08-80 | Bag Asm CRD |
| 22 | 532 16 57-81 | Bracket Side Bagger CRD |
| 23 | 532 16 57-82 | Tube Upper Bagger CRD |
| 24 | 532 16 57-83 | Tube Pivot Bagger CRD |
| 25 | 532 18 01-24 | Tube Front Bagger CRD |
| 26 | 532 16 57-85 | Tube Lower Bagger CRD |
| 28 | 532 16 57-87 | Grip Handle Black |
| 31 | 532 16 94-84 | Retainer Clip |
| 32 | 532 12 68-75 | Rivet Rd Hd Drilled 3/8 Dia |
| 36 | 819 13 20-12 | Washer 13/32 x 1-1/4 x 12 Ga. |
| 37 | 532 17 54-01 | Plug Support Bagger CRD |
| 38 | 872 01 05-20 | Bolt 5/16-18 x 2-1/2 |
| 39 | 532 18 09-85 | Seal Trim 37" |
| 41 | 532 16 96-83 | Bracket Vert Adj Bagger CRD |
| 43 | 532 17 40-83 | Plug Tubing End |
| 44 | 532 19 33-12 | Pin Clevis 3/8 x 11/16 |
| 45 | 532 19 33-13 | Pin Clevis 3/8 x 2.00 |

NOTE: All component dimensions given in U.S. inches
1 inch = 25.4 mm