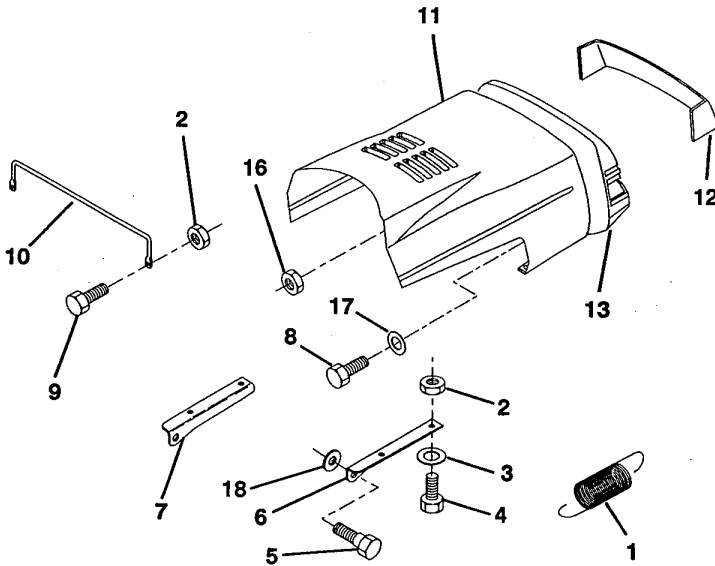




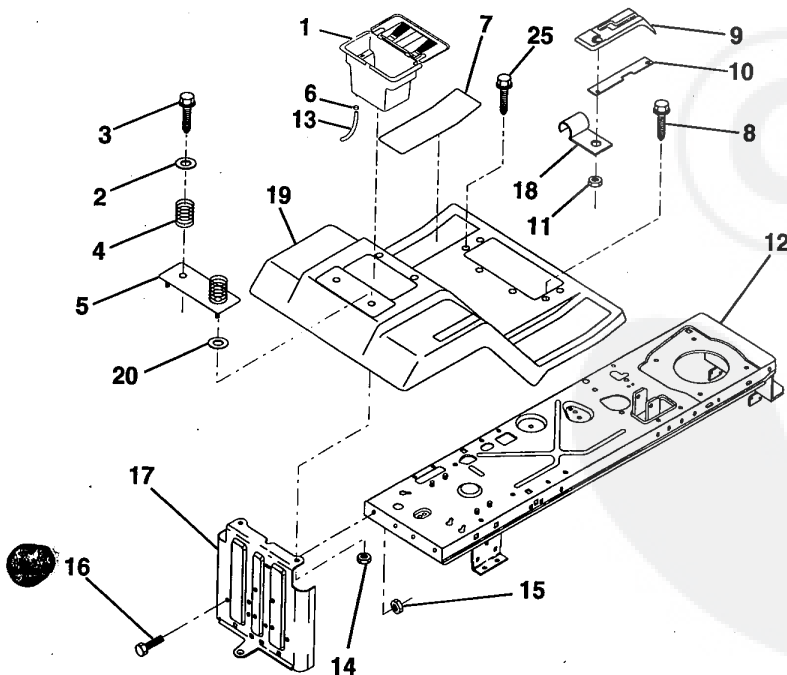
SPAREPARTS

107 25 06-64

Mod.No: 954 00 12-41
 Engine: B & S 254707 Type: 0140
 Transaxle: Peerless 930-026

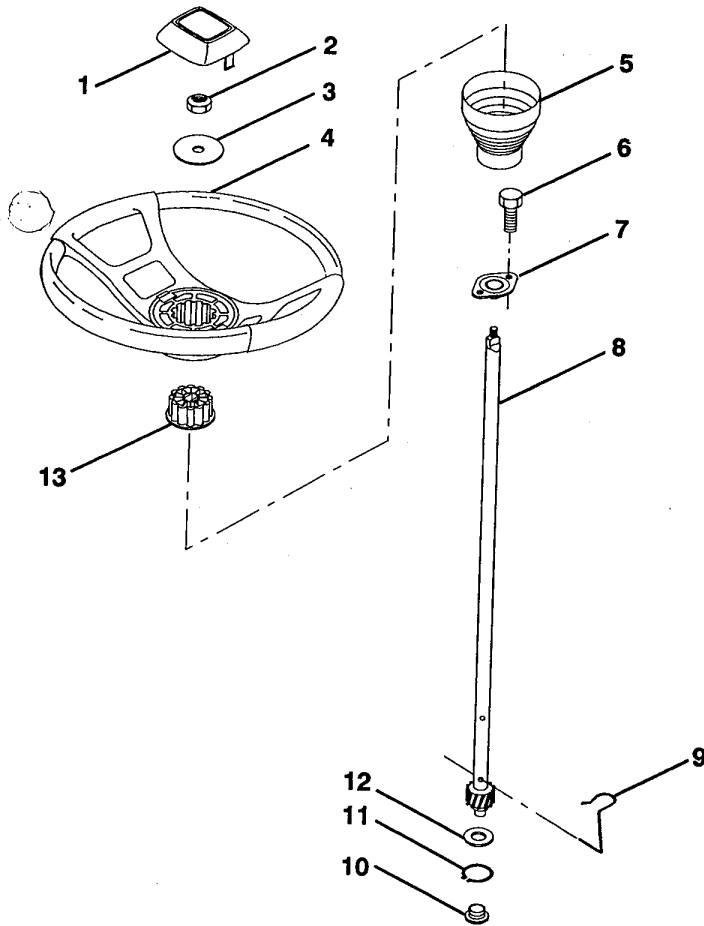


Key No.	Part No.	Description
1	5321246-57	Extension, Spring
2	8735104-00	Nut, Hex, Keps 1/4-20
3	8190910-16	Washer, 9/32 x 5/8 x 16 Ga.
4	8747804-10	Bolt, Hex Fin. 1/4-20 UNC 5/8 Gr.5
5	5321266-75	Bolt, Shoulder
6	5321225-49	Bracket, Hood R. H.
7	5321225-48	Bracket, Hood L.H.
8	8174113-10	Screw, Fin. Hex #13-16 Hi-Lo x 5/8
9	8747804-12	Bolt, Hex Fin. 1/4-20 x 3/4 Gr. 5
10	5321236-93	Brace, Hood
11	5321253-86	Hood
12	5321276-59	Lens, Plate, Grill
13	5321257-19	Grill
16	5321243-46	Nut Self Thd. Wsh. Hd. 1/4
17	8190910-16	Washer 9/32 x 5/8 x 16 Ga.
18	8191111-16	Washer 11/32 x 11/16 x 16 Ga.

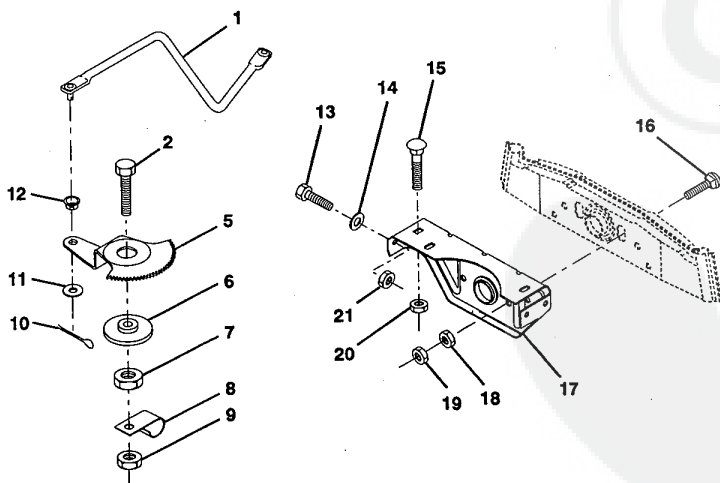


Key No.	Part No.	Description
1	5321299-65	Case, Battery
2	8191320-12	Washer 13/32 x 1-1/4 x 12 Ga.
3	8174906-12	Screw, Hex Wsh. Thrdrol. 3/8-16 x 3/4
4	5321241-81	Spring, Compression, Seat
5	5321271-15	Plate, Asm. Battery
6	5321095-96	Clamp, Hose
7	5321241-44	Pad, Footrest
8	8174905-12	Screw, Hex Wsh. Thrdrol. 5/16-18 x 3/4
9	5321383-13	Console, Shift Control
10	5321246-02	Bar, Shift Lock
11	5321243-46	Nut, Self-Threading, Washer Head 3/16
12	5321280-83	Assembly, Frame
13	5321092-38	Tube, Battery Drain
14	8735104-00	Nut, Keps 1/4-20 UNC
15	8736805-00	Nut, Crownlock 5/16-18
16	8747605-12	Bolt, Hex Hd. 5/16-18 UNC x 3/4
17	5321278-80	Drawbar
18	5321264-70	Clip, Insulated
19	5321251-40	Fender/Footrest
20	8190914-13	Washer 9/32 x 7/8 x 13 Ga.

HARDWARE SHOWN LARGER FOR EASIER IDENTIFICATION

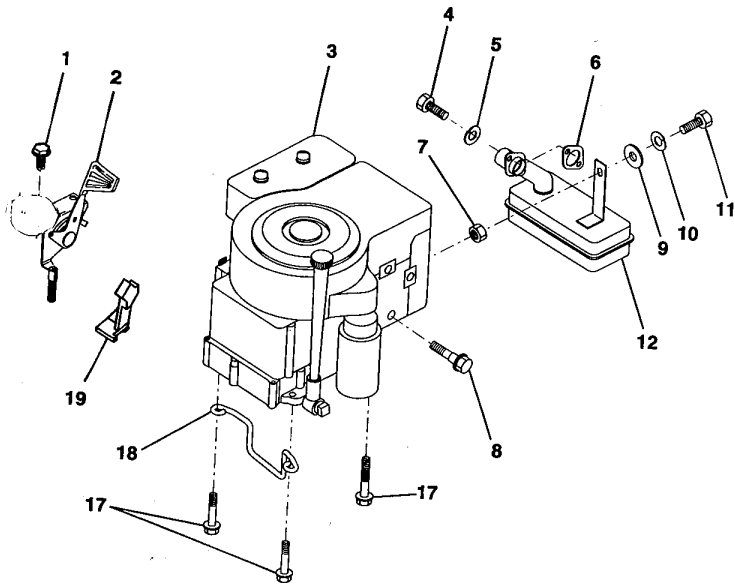


Key No.	Part No.	Description
1	5321268-05	Insert, Wheel, Steering
2	5321247-01	Nut, Lock 3/8-24 UNF
3	8191338-08	Washer 12/32 x 2-3/8 x 8 Ga.
4	5321214-72	Wheel, Steering
5	5321218-97	Sleeve, Steering
6	8174310-08	Screw, Hex #10-16 x 1/2 TY-B
7	5321028-03	Bushing, Steering
8	5321236-51	Shaft, Steering
9	5321242-10	Clip, Steering
10	5321234-38	Bushing, Lower, Steering
11	8120000-45	Ring, Retaining
12	8192116-16	Washer 21/32 x 1 x 16 Ga.
13	5321048-20	Adaptor, Wheel, Steering

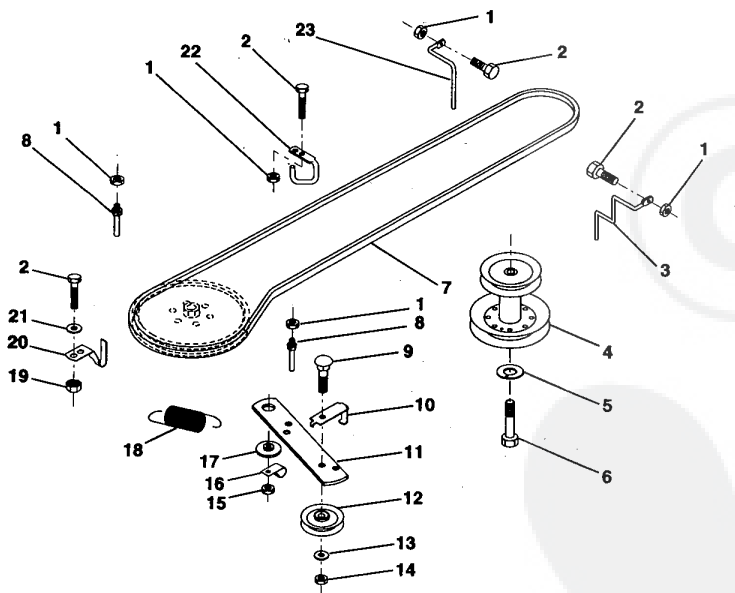


Key No.	Part No.	Description
1	5321325-66	Link, Drag
2	8747808-28	Bolt, Fin Hex 1/2-13 x 1-3/4
5	5321219-26	Gear, Sector
6	5321219-27	Bushing
7	8730308-00	Nut, Heavy Hex Top Lock 1/2-13 UNC
8	5321264-72	Clip, Insulated
9	8736808-00	Nut, Crownlock 3/8-16
10	8760204-12	Pin, Cotter 1/8 x 3/4
11	8191313-16	Washer, 13/32 x 13/16 x 16 Ga.
12	5321268-47	Bushing
13	8747605-12	Bolt, Hex Hd. 5/16-18 UNC x 3/4
14	8191114-16	Washer 11/32 x 7/8 x 16 Ga.
15	8721106-06	Bolt, Carriage 3/8-16 UNC x 3/4
16	8721406-22	Bolt, Carriage
17	5321219-12	Support, Front Axle
18	8732206-00	Nut, Fin Hex 3/8-16 UNC
19	8739306-00	Nut, Centerlock 3/8-16 UNC
20	8736806-00	Nut, Crownlock 3/8-16 UNC
21	8736805-00	Nut, Crownlock 5/16-18

HARDWARE SHOWN LARGER FOR EASIER IDENTIFICATION

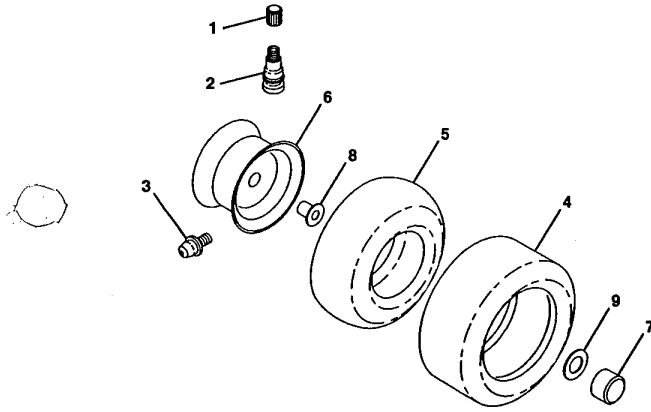


Key No.	Part No.	Description
1	8710604-08	Screw, Hex Thd. Cut 1/4-20 x 1/2
2	5321330-25	Control, Throttle
3	-----	Engine, Briggs and Stratton Model No. 254707
4	8747804-12	Screw, Hex, Cap 5/16-18 x 3/4
5	8100405-00	Washer, Lock Heavy Helical Spring 5/16
6	5321255-93	Gasket, Exhaust
7	8732205-00	Nur Fin Hex 5/16-18 UNC
8	5321210-94	Bolt, Shoulder 5/16
9	8191012-16	Washer 5/16 x 3/4 x 16
10	8100404-00	Washer, Lock Heavy Helical Spring 1/4
11	8747604-16	Bolt, Hex Fin. 1/4-20 UNC x 1"
12	5321374-37	Muffler
17	8174906-24	Screw, Hex Wsh Hd Thdrol 3/8-16 x 1-1/2
18	5321266-36	Keeper, Ground Drive Belt Stop, Throttle
19	5321279-51	

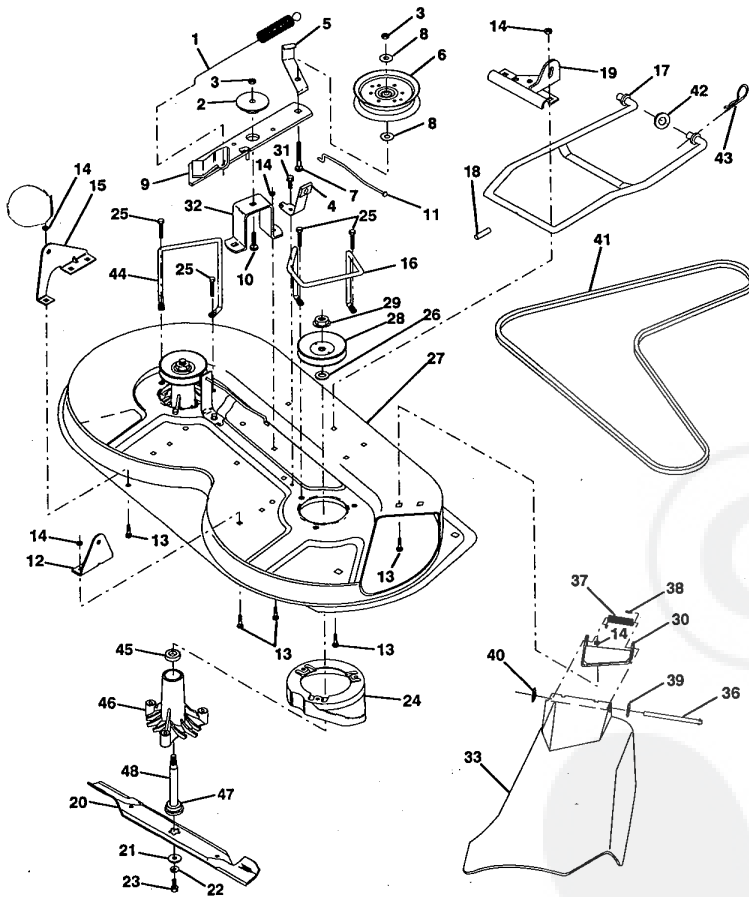


Key No.	Part No.	Description
1	8736805-00	Nut, Crownlock 5/16-18
2	8747605-12	Bolt, Hex Hd 5/16-18 UNC x 3/4
3	5321312-05	Keeper, Mower Drive, R. H.
4	5321348-28	Pulley, Engine
5	8100407-00	Washer, Lock 7/16
6	8711707-44	Bolt, Fin. Hex 7/16-20
7	5321265-20	Traction, V-Belt Drive
8	5321234-05	Keeper, T/A Ground Drive Belt
9	8721406-12	Bolt, Carr. 3/8-16 UNC x 1-1/2
10	5321233-96	Keeper, Belt Ground Drive Idler
11	5321233-95	Arm, Ground Drive Clutch
12	5320048-59	Idler, Flat
13	8191313-16	Washer 13/32 x 13/16 x 16 Ga.
14	8739306-00	Nut, Centerlock 3/8-16 UNC
15	8736806-00	Nut, Crownlock 3/8-16 UNC
16	5321264-71	Clip, Insulated
17	5321220-52	Spacer, Retainer
18	5321314-59	Spring Extension
19	8735105-00	Nut, Keps 5/16-18 UNc
20	5321238-91	Keeper, T/A Ground Drive Belt
21	8191110-16	Washer 11/32 x 5/8 x 16 Ga.
22	5321234-04	Keeper, Frame Ground Drive Belt
23	5321312-04	Keeper, Mower Drive, L. H.

HARDWARE SHOWN LARGER FOR EASIER IDENTIFICATION

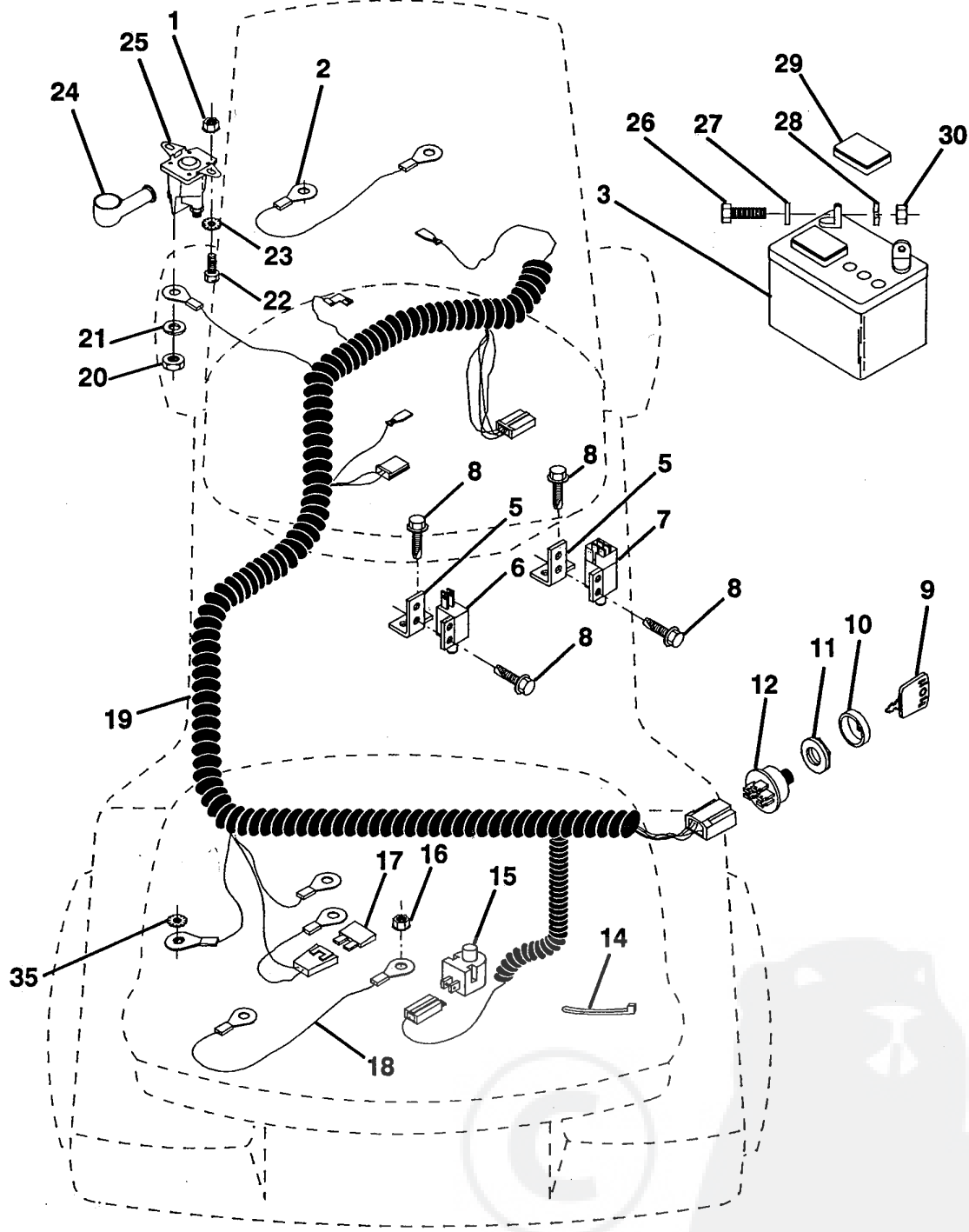


Key No.	Part No.	Description
1	5320591-92	Cap, Valve
2	5320651-39	Stem, Valve
3	5320002-78	Fitting, Grease
4	5321241-43	Tire, Rear
4	5321241-42	Tire, Front
5	5320081-34	Tube, Rear (Opt. Serv. Items Only)
5	5320599-04	Tube, Front (Opt. Serv. Items Only)
6	5321248-43	Rim, Front
6	5321248-44	Rim, Rear
7	5321047-57	Cap, Axle
8	5320090-40	Bearing, Flange (Front Wheels Only)
9	5321217-48	Washer 25/32 x 1-5/8 x 16 Ga.



Key No.	Part No.	Description
1	5321277-43	Spring, Mower Clutch
2	5321220-52	Spacer, Retainer
3	8736806-00	Nut, Crownlock
4	5321308-40	Brake Asm.
5	5321312-51	Guide, Belt Idler
6	5321236-88	Pulley, Flat Idler
7	8721106-16	Bolt, Carr. 3/8-16 x 2
8	8191314-10	Washer 13/21 x 7/8 x 10 Ga.
9	5321277-44	Arm Asm., Idler Mower
10	8721106-08	Bolt, Carriage 3/8-16 x 1
11	5321308-41	Rod, Brake
12	5321273-56	Bracket, Lift R. H. Rear
13	8721405-05	Bolt, Carriage 5/16-18 x 5/8
14	8736805-00	Nut, Crownlock 5/16-18
15	5321273-57	Bracket, Lift L. H. Rear
16	5321308-37	Keeper, R. H.
17	5321285-08	Link, Asm. Mower Stabilizer
18	5321285-11	Pin, Drive
19	5321273-80	Bracket, Asm. Front
20	5321313-21	Blade
21	5321299-62	Washer, Hard
22	8100306-00	Washer, Lock 3/8
23	5328508-57	Bolt 3/8-24 x 1-1/4 Gr. 8
24	5321369-29	Stripper
25	8747605-28	Bolt 5/16-18 x 1-1/4
26	5321299-63	Washer .150 Thk.
27	5321299-83	Deck Assembly
28	5321292-07	Pulley, Mandrell
29	8730509-00	Nut, Flangelock 9/16
30	5321366-31	Bracket, Asm. Deflector
31	8174905-08	Screw, Hex Wsh. Thdrol. 5/16-18 x 1/2
32	5321220-51	Arm, Support Idler Mower
33	5321315-60	Deflector
36	5321219-80	Rod, Hinge
37	5321237-13	Spring, Torsion Deflector
38	5321053-04	Cap, Sleeve
39	8191110-16	Washer 11/32 x 5/8 x 16 Ga.
40	5321104-52	Pushnut
41	5321312-64	V-Belt
42	8191716-16	Washer 11/32 x 5/8 16 Ga.
43	5321246-60	Retainer, Spring
44	5321308-36	Keeper, L. H.
45	5321104-85	Bearing
46	5321287-74	Housing Mandrel Vented
--	5321307-94	Mandrel Asm. (Includes Key No.'s 22-23, 26, 29 and 45-48)
47	5321298-95	Bearing
48	5321331-72	Shaft, Mandrel (Includes Key No. 47)
--	5321393-17	Deck, Mower Complete

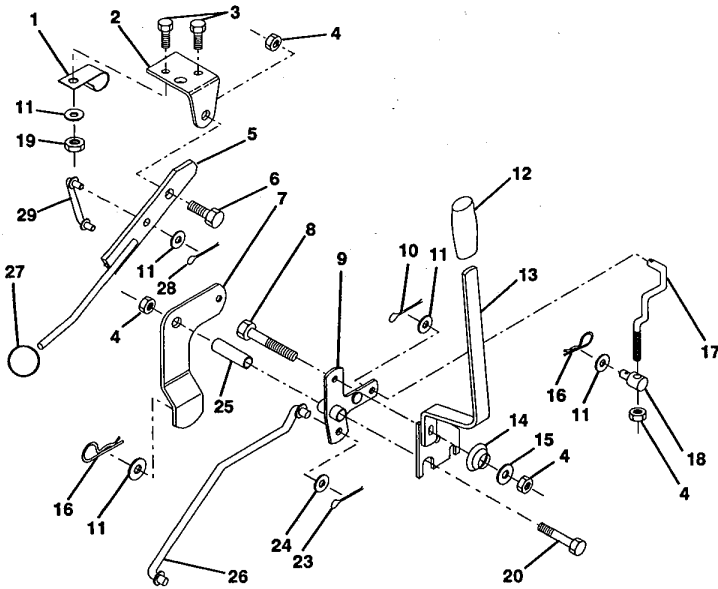
HARDWARE SHOWN LARGER FOR EASIER IDENTIFICATION



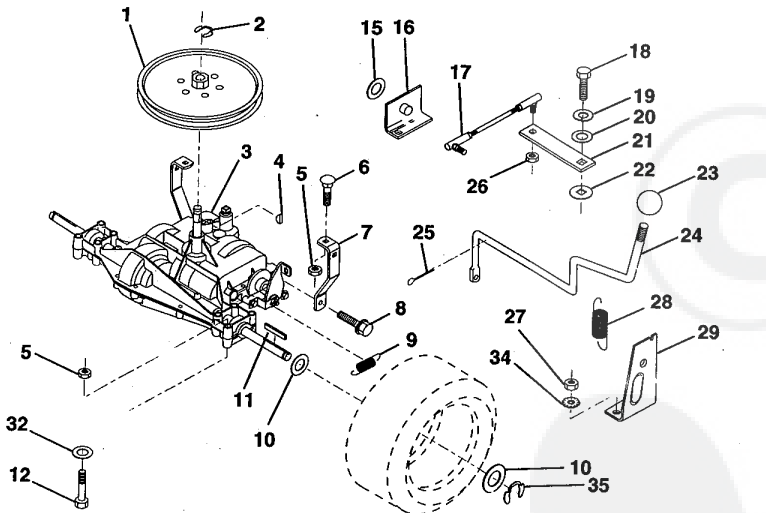
Key No.	Part No.	Description
1	8735104-00	Nut, Hex Keps 1/4-20
2	5321084-23	Assembly, Cable
3	5321339-09	Battery
5	5321082-36	Bracket, Switch
6	5321044-45	Switch, Interlock (2 terminal)
7	5321095-53	Switch, Interlock (4 terminal)
8	8170210-08	Screw, Tap Hex Hd.
9	5321221-47	Key, Molded
10	5321236-20	Cover, Key Ignition
11	5321242-11	Nut, Ignition
12	5321251-04	Switch, Ignition
14	5321247-56	Tie, Cable
15	5321213-05	Switch, Plunger
16	8735105-00	Nut, Keps 5/16-18
17	5321088-24	Fuse
18	5321283-53	Assembly, Cable

Key No.	Part No.	Description
19	5321322-23	Harness, Ignition
20	8733504-00	Nut, Hex Jam 1/4-20
21	8100904-00	Washer, Lock 1/4
22	8747804-08	Bolt, Fin. Hex 1/4-20 UNC x 1/2 Gr. 5
23	8110504-00	Washer, Lock Ext. Tooth 1/4
24	5321315-63	Cover, Terminal Solenoid
25	5321384-06	Bolt, Hex Hd. 1/4-20 UNC x 3/4
26	8747604-12	Washer 9/32 x 5/8 x 16
27	8190910-16	Washer, Lock 1/4
28	8100404-00	Cap, Battery
29	5321212-64	Nut, Fin. Hex 1/4-20 UNC
30	8732204-00	Washer, Lock, Ext. Tooth 3/8
35	8110506-00	

HARDWARE SHOWN LARGER FOR EASIER IDENTIFICATION

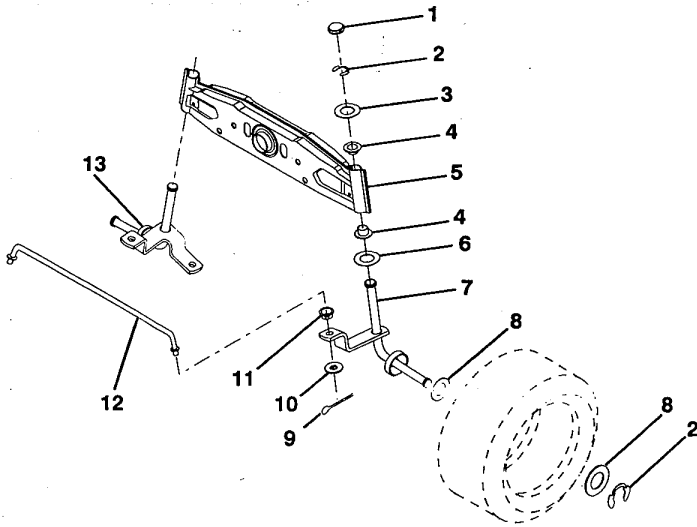


Key No.	Part No.	Description
1	5321264-70	Clip, Insulated
2	5321220-18	Bracket, Mower Clutch
3	8747804-08	Bolt, Fin. Hex 1/4-20 UNC x 1/2 Gr. 5
4	8736806-00	Nut, Crownlock 3/8-16 UNC
5	5321234-17	Assembly, Clutch Lever
6	5321064-51	Bolt, Shoulder
7	5321353-71	Assembly, Mower Clutch Arm
8	8747606-36	Bolt, Hex 3/8-16 UNC x 2-1/4
9	5321219-30	Assembly, Bracket Lift
10	8760204-12	Pin, Cotter 1/8 x 3/4
11	8191313-16	Washer 13/32 x 13/16 x 16 Ga.
12	5321318-61	Grip, Handle
13	5321270-28	Assembly, Lift Handle
14	5321234-96	Spring, Compression
15	8191312-12	Washer 13/32 x 3/4 x 12 Ga.
16	5320049-21	Retainer, Spring
17	5321273-59	Link, Front Lift
18	5321332-05	Trunnion, Threaded 3/8-16
19	8736804-00	Nut, Crownlock 1/4-20
20	8747606-44	Bolt, Fin. Hex 3/8-16 UNC x 2-3/4
23	8760204-16	Pin, Cotter 1/8 x 1
24	8191716-16	Washer 17/32 x 1 x 16 Ga.
25	5321219-33	Tube, Spacer
26	5321219-34	Rod, Mower Lift
27	5321069-32	Knob
28	8760203-12	Pin, Cotter 3/32 x 3/4
29	5321316-55	Link, Mower Clutch

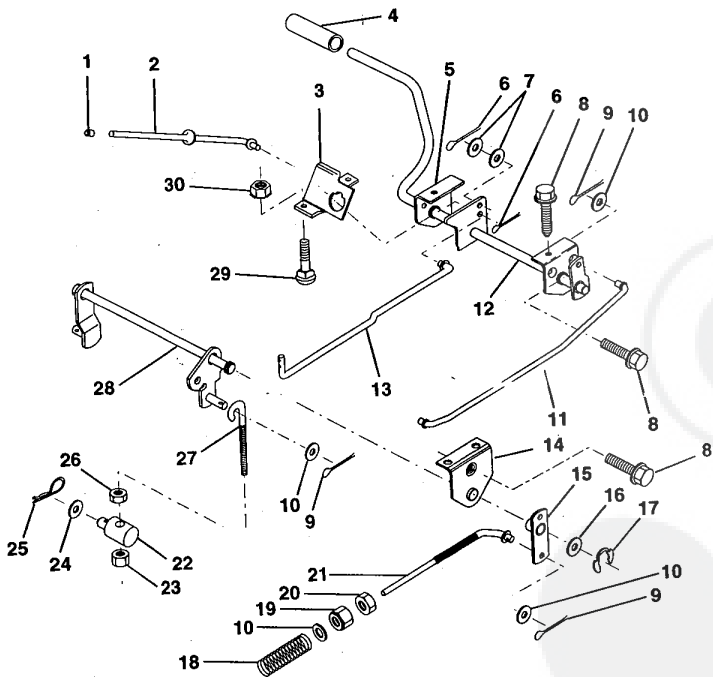


Key No.	Part No.	Description
1	5321233-85	Pulley
2	8120000-28	Ring, Retainer
3	5321270-52	Transaxle, Peerless 4-Speed Model #930-026
4	5321250-96	Key, Woodruff #9
5	8736805-00	Nut, Crownlock 5/16-18
6	8721405-06	Bolt, Carriage 5/16-18 UNC x 3/4
7	5321233-78	Strap, Torque
8	8174905-12	Screw Thdr. 5/16-18 x 3/4
9	5321104-22	Spring, Brake
10	5321217-49	Washer 25/32 x 1-1/4 x 16 Ga.
11	5321235-83	Key, Square
12	8747605-40	Bolt, Fin Hex 5/16-18 x 2-1/2
15	8191716-16	Washer 17/32 x 1 x 16 Ga.
16	5321246-00	Support, Handle Shift L. H.
17	5321262-93	Link, Shift
18	8710404-12	Bolt, Fin Hex 1/4-28 UNF x 3/4 Gr. 8
19	8100404-00	Washer, Lock 1/4
20	8190912-10	Washer 9/32 x 3/4 x 10 Ga.
21	5321262-92	Arm, Shift
22	5321057-01	Washer, Shift Plate
23	5321069-33	Knob, Shift Control
24	5321282-15	Shift Rod
25	8760204-16	Pin, Cotter 1/8 x 1
26	8738105-00	Nut, Hex Nylon
27	8735105-00	Nut, Keps 5/16-18
28	5321280-85	Extension, Spring
29	5321280-84	Support, Handle Shift R. H.
32	8191111-16	Washer 11/32 x 11/16 x 16 Ga.
34	8110505-00	Washer, Ext. Tooth, Lock 5/16
35	8120000-01	E-Ring

HARDWARE SHOWN LARGER FOR EASIER IDENTIFICATION

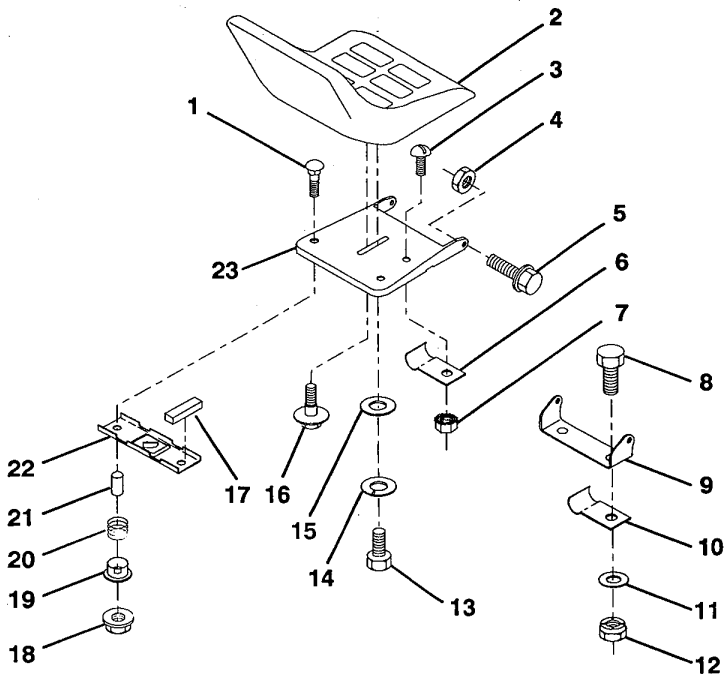


Key No.	Part No.	Description
1	5321212-32	Cap, Spindle
2	8120000-29	Ring, Clip
3	5321217-48	Washer 25/32 x 1-5/8 x 16 Ga.
4	5321219-22	Nyliner
5	5321219-14	Axle, Front
6	5321249-31	Bearing, Thrust
7	5321219-19	Spindle, R.H. Asm.
8	5321217-49	Washer 25/32 x 1-1/4 x 16 Ga.
9	8760204-12	Pin, Cotter 1/8 x 3/4
10	8191313-16	Washer 13/32 x 13/16 x 16 Ga.
11	5321268-47	Bushing
12	5321219-24	Rod, Tie
13	5321219-16	Spindle, L.H. Asm.

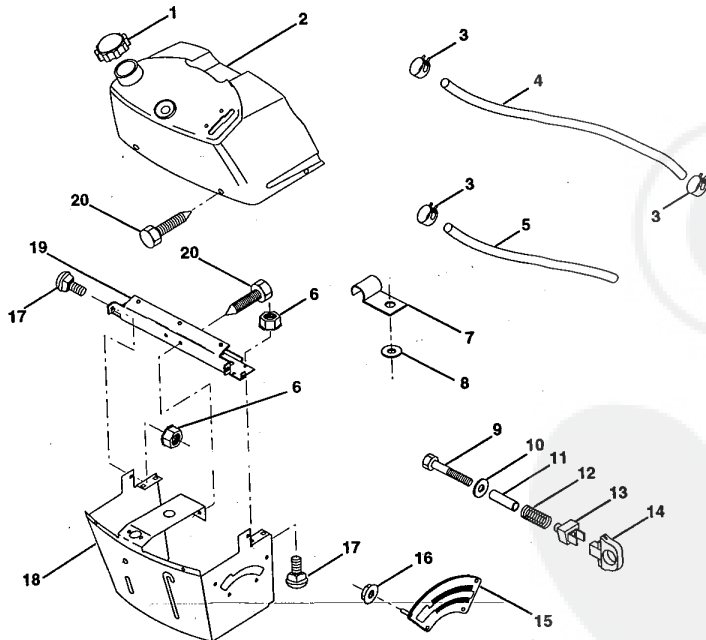


Key No.	Part No.	Description
1	5320716-73	Cap, Plunger
2	5321234-36	Rod, Parking Brake
3	5321234-37	Bracket, Parking Brake
4	5320081-56	Cover, Pedal
5	5321225-04	Bracket, Clutch/Brake Pedal, L.H.
6	8760203-12	Pin, Cotter 3/32 x 3/4
7	8191310-16	Washer 13/32 x 5/8 x 16 Ga.
8	8174905-08	Screw, Hex, Thd. Roll. 5/16-18 x 1/2
9	8760204-12	Pin, Cotter 1/8 x 3/4
10	8191313-16	Washer 13/32 x 13/16 x 16 Ga.
11	5321235-43	Rod, Brake Front
12	5321295-67	Assembly, Clutch/Brake Pedal
13	5321233-94	Rod, Clutch
14	5321219-78	Bracket, Lift, Shaft
15	5321236-41	Assembly, Brake, Pivot, Arm
16	8192518-16	Washer 25/32 x 1-1/8 x 16 Ga.
17	8120000-34	Ring, Klip
18	5321068-88	Spring, Brake Rod
19	8733506-00	Nut, Hex, Jam 3/8-16 UNC
20	8738006-00	Locknut, Hex w/Washer Insert 3/8-16 UNC
21	5321319-36	Rod, Rear Brake
22	5321273-78	Trunnion, Lift
23	8736806-00	Nut, Crownlock 3/8-16 UNC
24	8191320-12	Washer 13/32 x 1-1/4 x 12 Ga.
25	5320049-21	Spring, Retainer
26	8739306-00	Nut, Centerlock 3/8-16 UNC
27	5321273-69	Link, Threaded
28	5321273-58	Assembly, Rear Mower Lift
29	8721105-06	Bolt, Carriage 5/16-18 UNC x 3/4
30	8735105-00	Nut, Keps 5/16-16 UNC

HARDWARE SHOWN LARGER FOR EASIER IDENTIFICATION



Key No.	Part No.	Description
1	8720504-11	Bolt, Carriage 1/4-20 x 1-3/8
2	5321274-27	Seat
3	8746410-08	Screw, Slotted Pan Head #10-32 x 1/2
4	8736805-00	Nut, Crownlock 5/16-18
5	5321055-29	Bolt, Shoulder 5/16-18 UNC
6	5320041-71	Clip, Insulated
7	8739510-00	Nut, Keps #10-32 UNF
8	8747606-12	Bolt, Fin Hex 3/8-16 UNC x 3/4
9	5321266-56	Bracket, Pivot Seat
10	5321264-71	Clip, Insulated
11	8191312-10	Washer 12/32 x 3/4 x 10 Ga.
12	8736806-00	Nut, Crownlock 3/8-16 UNC
13	8747808-14	Bolt, Fin Hex 1/2-13 UNC x 7/8 Gr. 5
14	8100408-00	Washer, Lock Hvy Helical Spring
15	8191719-12	Washer, 17/32 x 1-3/16 x 12 Ga.
16	5321270-18	Bolt, Shoulder
17	5321212-51	Strip, Foam
18	8736804-00	Nut
19	5321212-48	Bushing, Snap
20	5321212-50	Spring, Compression
21	5321343-00	Spacer, Split 28 x .96
22	5321212-46	Bracket, Switch, Mounting
23	5321314-51	Pan, Seat



Key No.	Part No.	Description
1	5321220-15	Cap, Fuel
2	5321309-13	Assembly, Dash & Fuel Tank
3	5321234-87	Clamp, Hose
4	5320002-95	Line, Fuel
5	5320085-48	Line, Fuel
6	8735104-00	Nut, Hex, Keps 1/4-20
7	5320027-51	Clip, Fuel Line
8	8190912-16	Washer 9/32 x 3/4 x 16 Ga.
9	8747604-28	Bolt, Hex, Fin 1/4-20 x 1-3/4
10	8190914-13	Washer 11/32 x 11/16 x 16 Ga.
11	5321212-49	Spacer, Split
12	5320037-20	Spring
13	5321264-50	Clip, Height Adjustment
14	5321261-15	Knob, Height Stop
15	5321220-23	Adjustment, Quadrant Height
16	5321243-46	Nut, Self-Threading 3/16-18
17	8721104-04	Bolt, Carriage 1/4-20 x 1/2 Gr. 5
18	5321307-45	Support Assembly, Dash
19	5321347-44	Brace, Cross
20	8170604-08	Screw, Self-Tapping 1/4-20 x 1/2

HARDWARE SHOWN LARGER FOR EASIER IDENTIFICATION