



**REPAIR PARTS MANUAL**  
**MODEL NO. 145HP107 (DE14542RBA)**  
**Lawn Tractor**

---

***Yard Pro***

173906 01.17.00 RH  
PRINTED IN U.S.A.

# HOW TO USE THIS MANUAL

This manual is designed to provide the customer with a means to identify the parts on his/her tractor when ordering repair parts. The illustrations may or may not represent the actual assemblies; therefore, it is not recommended to use this manual as a guide to assemble or disassemble the tractor. Some hardware and parts are drawn larger in order to more readily identify them.

Each tractor has its own model number.

The model number for your tractor can be found on the fender under the seat.

When ordering parts, always give the following information:

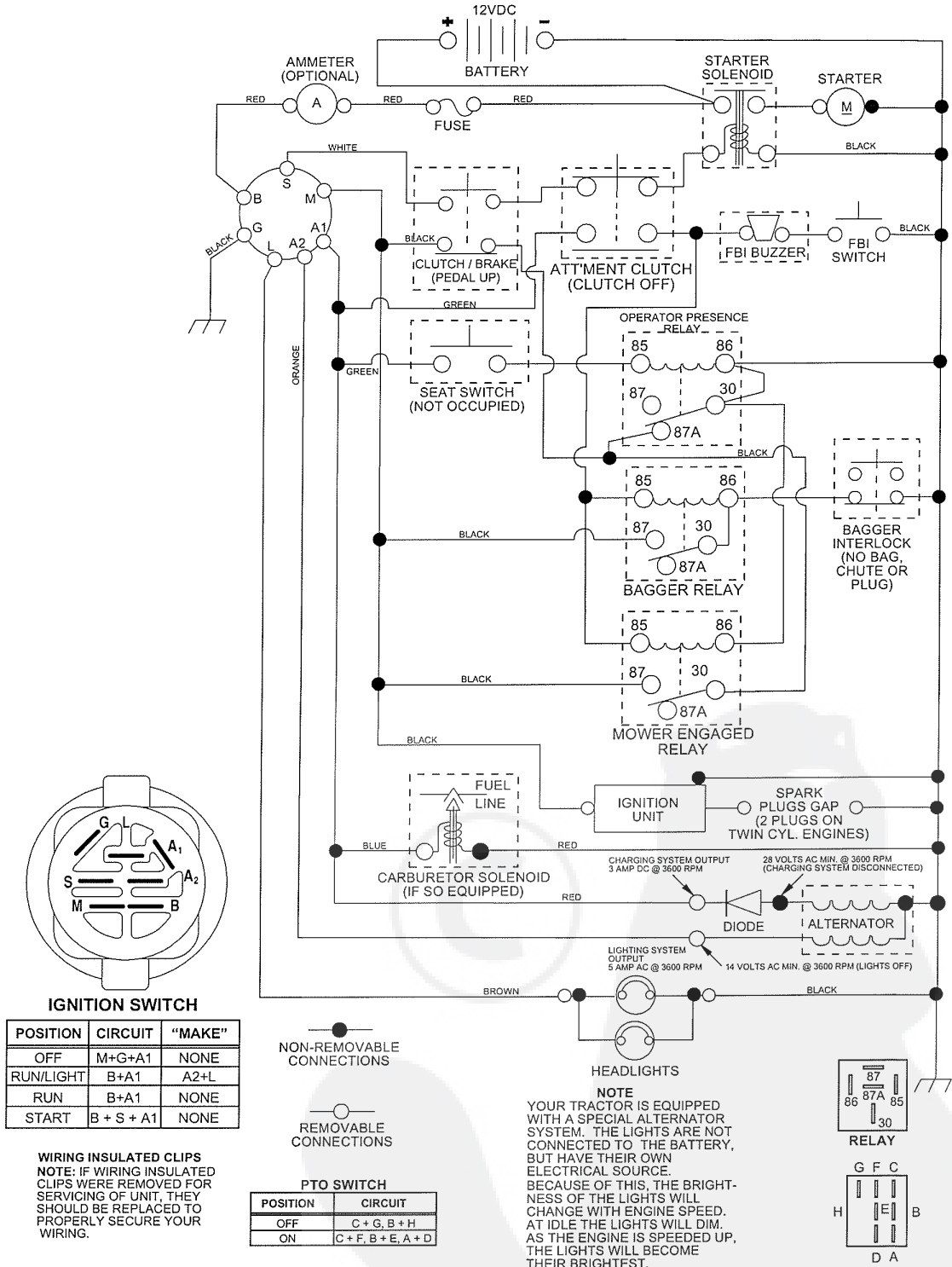
- Product - "Lawn Tractor"
- Model Number - "145HP107 (DE14542RBA)"
- Part Number
- Part Description

## TABLE OF CONTENTS

SCHEMATIC.....	3
ELECTRICAL.....	4-5
CHASSIS AND ENCLOSURES.....	6-7
DRIVE.....	8-9
STEERING ASSEMBLY.....	10-11
SEAT ASSEMBLY.....	12
DECALS.....	13
ENGINE.....	14
LIFT.....	15
MOWER DECK.....	16-17
BAGGER.....	18
WARRANTY.....	19-20

# TRACTOR- -MODEL NO. 145HP107 (DE14542RBA)

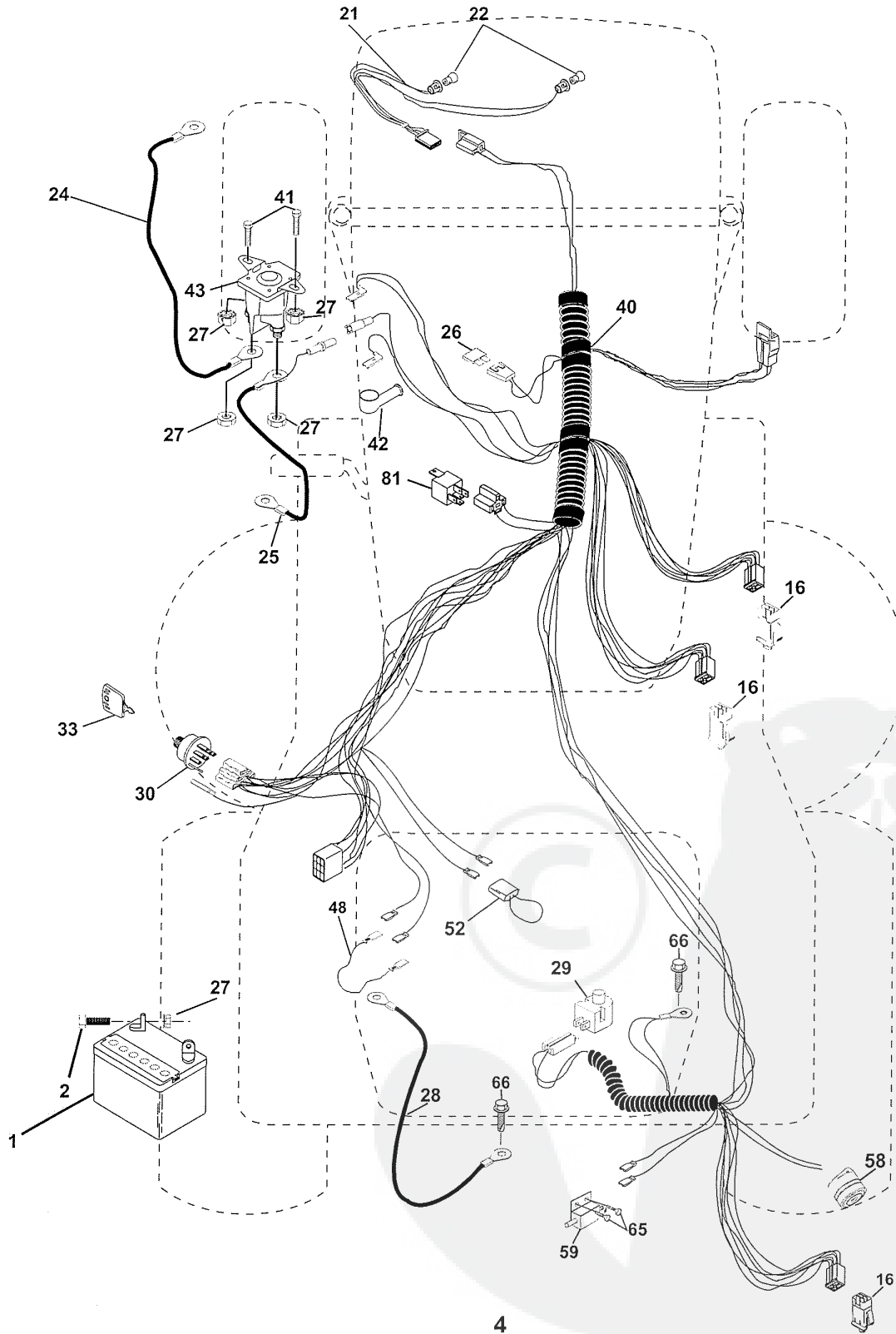
## SCHEMATIC



# REPAIR PARTS

TRACTOR- -MODEL NO. 145HP107 (DE14542RBA)

## ELECTRICAL



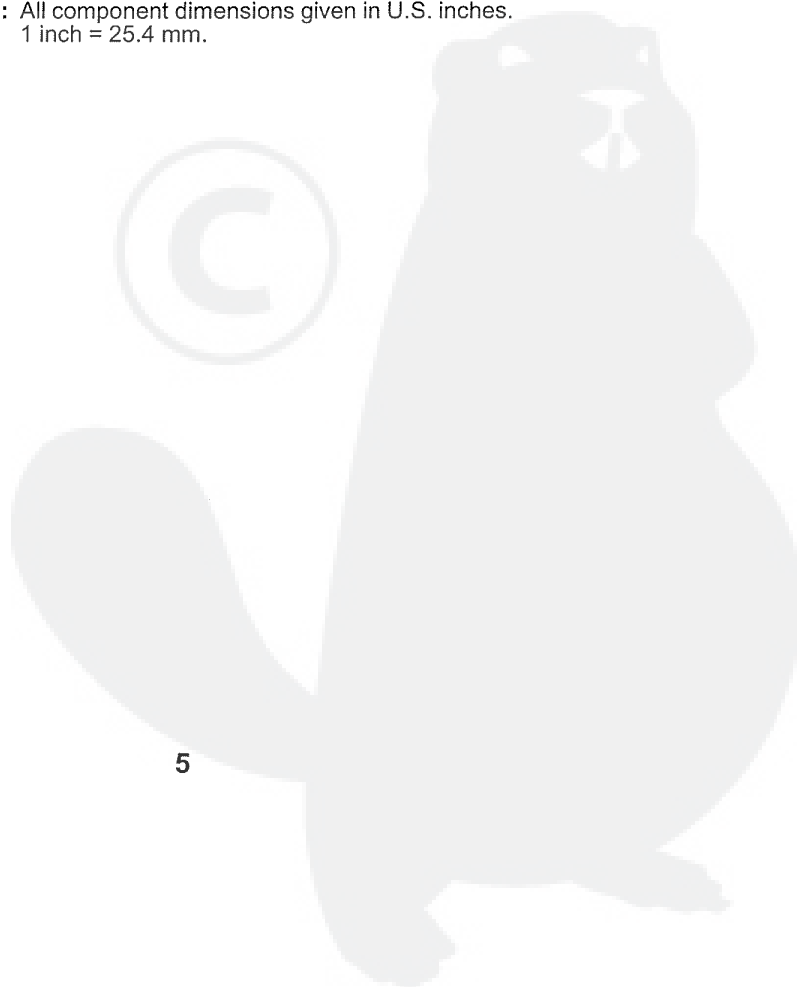
# REPAIR PARTS

TRACTOR- -MODEL NO. 145HP107 (DE14542RBA)

## ELECTRICAL

KEY NO.	PART NO.	DESCRIPTION
1	144925	Battery 12 Volt 25 AMP Wet
2	74760412	Bolt Hex Hd 1/4-20 Unc X 3/4
16	153664	Switch Interlock Push-In
21	166181	Harness Asm Light W/4152J
22	4152J	Bulb Light #1156
24	4799J	Cable Battery 6Ga 11" Red
25	165987	Cable Battery Crd 56" Red
26	166180	Fuse 15 Amp
27	73510400	Nut Keps Hex 1/4-20 Unc
28	127725X	Cable Ground 6Ga 18" Black
29	160784	Switch Plunger Normal Op Olive
30	163968	Switch Ignition
33	140401	Key Ign
40	170164	Harness Ign Crd
41	71110408	Bolt Flk Fin Hex 1/4-20 Unc X 1/2
42	131563	Cover Terminal Red
43	145673	Solenoid
48	140844	Adapter Ammeter Rectangular
52	141940	Protection Wire Loop
58	169419	Buzzer Crd
59	166299	Switch FBI CRD
65	17211008	Screw Slftp #10-16 x 1/2 Ty-Ab
66	17490608	Screw Thdrol 3/8-16 x 1/2 Ty-Tt
81	109748X	Relay Asm

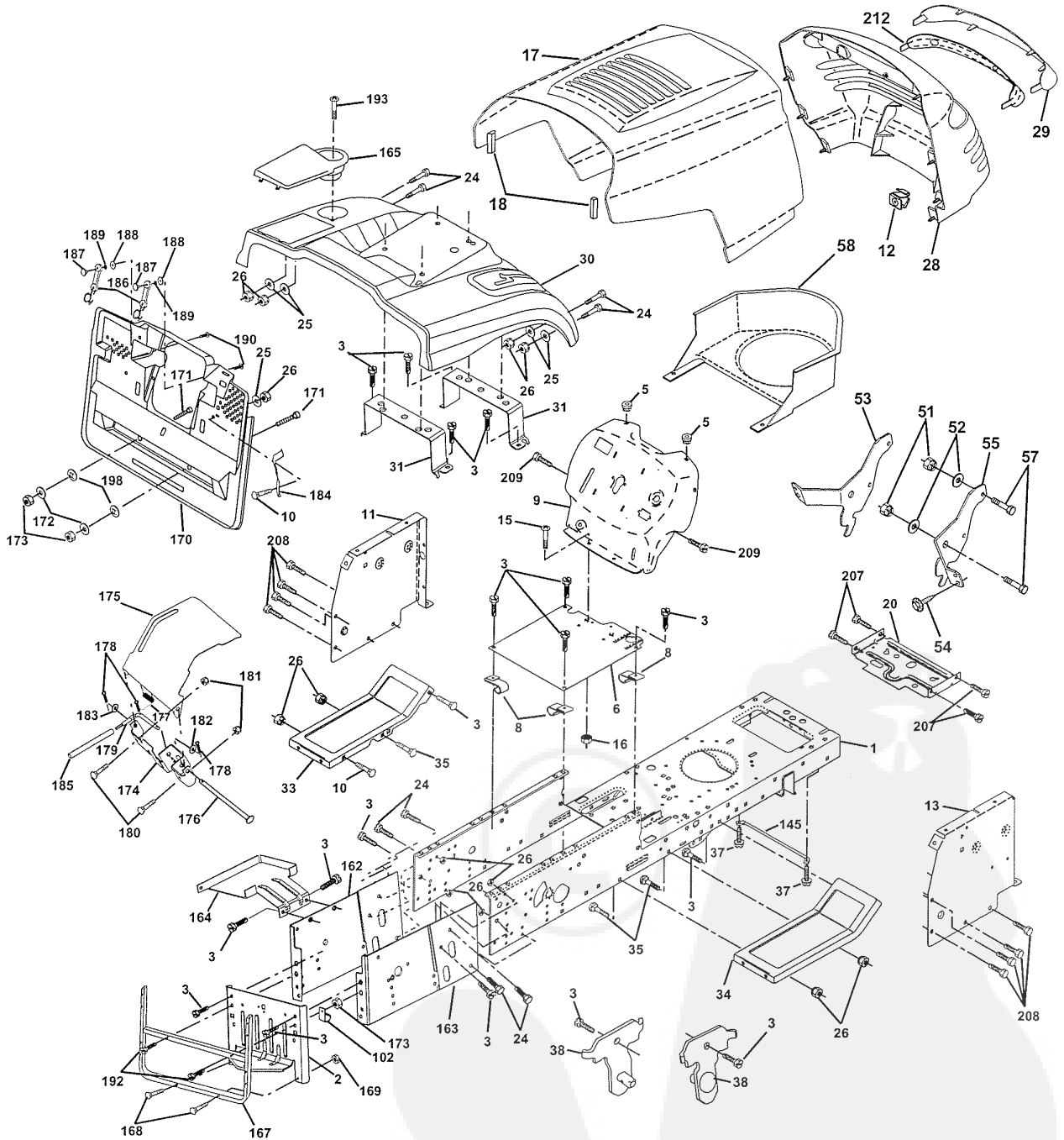
**NOTE:** All component dimensions given in U.S. inches.  
1 inch = 25.4 mm.



# REPAIR PARTS

TRACTOR- -MODEL NO. 145HP107 (DE14542RBA)

## CHASSIS AND ENCLOSURES



# REPAIR PARTS

## TRACTOR- -MODEL NO. 145HP107 (DE14542RBA)

### CHASSIS AND ENCLOSURES

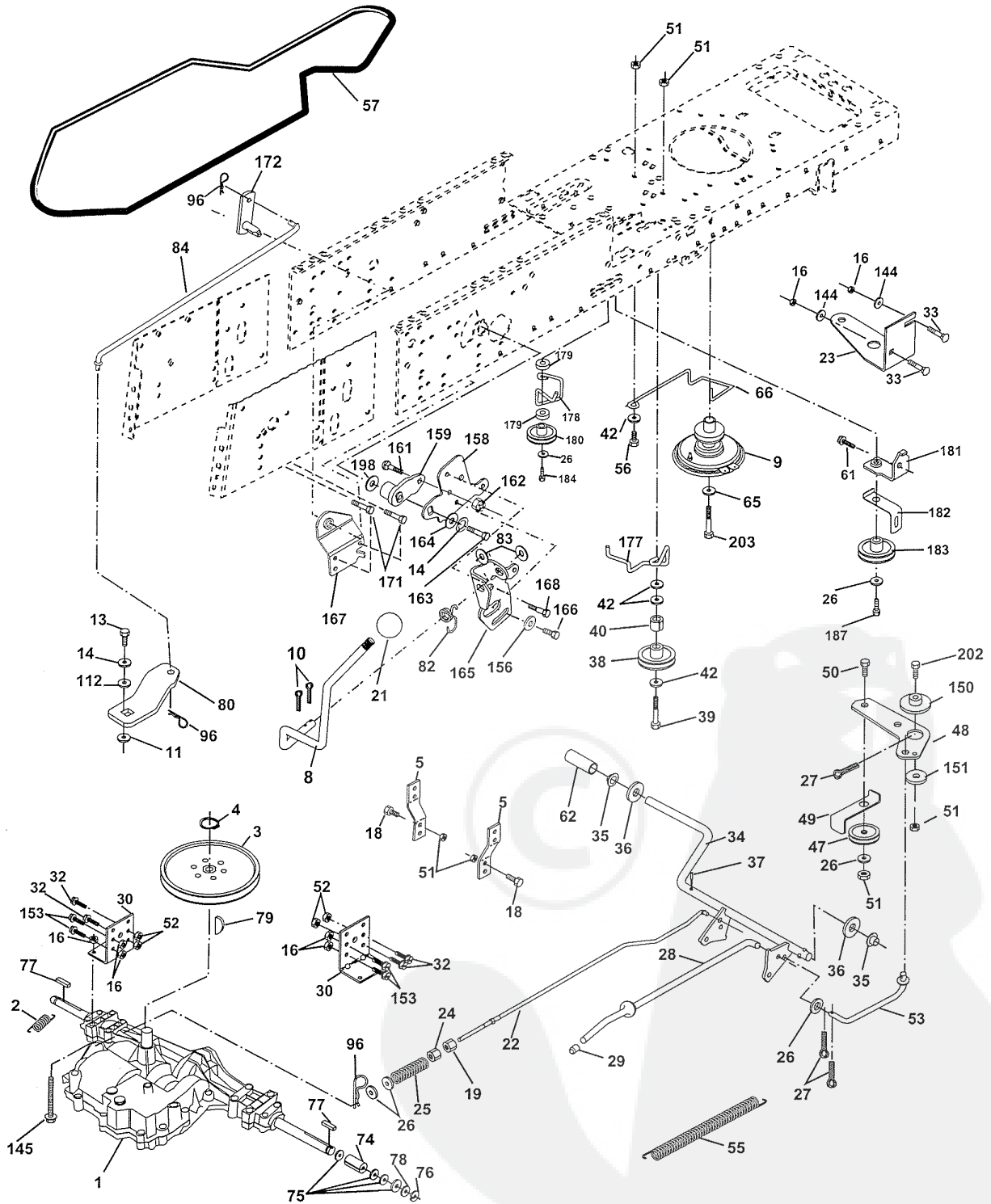
KEY NO.	PART NO.	DESCRIPTION	KEY NO.	PART NO.	DESCRIPTION
1	169831	Chassis	162	165672	Bracket Exten Chassis Lh CRD
2	165606	Drawbar	163	165673	Bracket Exten Chassis Rh CRD
3	17060612	Screw 3/8-16 x 3/4	164	165605	Support Battery CRD
5	155272	Bumper Hood/Dash	165	165742X428	Cover Battery CRD Lt
6	155923	Saddle	167	165779	Support Asm Backplate Wldmnt
8	126471X	Clip Insulator 13/32 Mtg. Hole	168	72050412	Bolt, RDHD SHT NK 1/4-20 x 1-1/2
9	168347X011	Dash	169	123976X	Nut, Lock 1/4 LGE FLG Gr. 5 Zinc
10	72140608	Bolt, Carriage 3/8-16 x 3/4	170	165607	Cover, Backplate Plastic Black
11	155927	Panel, Dash, L.H.	171	74520640	Bolt Fin Hex 3/8-16 x 1-3/4 Gr 5
12	145660	Clip Tinnerman Grille P/L	172	19132016	Washer 13/32 x 1-1/4 x 16 Ga.
13	172107X010	Panel, Asm. Dash R.H.	173	73510600	Nut, Keps Hex 3/8-16 UNC
15	74180512	Screw, Machine, Truss Head 5/16-18 UNC x 3/4	174	165939	Bracket Switch FBI CRD
16	73510500	Nut	175	166212	Guard Door Rear CRD
17	159639X598	Hood Assembly	176	128600	Pin Hinge Pivot
18	126938X	Bumper Hood	177	132796	Spring Bagger Top LH Black
20	156437	Plate Mtg. Battery/Fuel	178	76020312	Pin Cotter 3/32 x 3/4 Cad Zinc
24	74780616	Bolt	179	165942	Rod Pivot FBI CRD
25	19131312	Washer 13/32 x 13/16 x 12 Gauge	180	74760516	Bolt Hex HD 5/16-18 UNC x 1
26	73800600	Nut	181	73680500	Nut Crownlock 5/16-18
28	146766	Grille PL	182	138200	Washer .385 x .625 x 11 Ga.
29	145503X599	Lens, Grille	183	19131316	Washer 13/32 x 13/16 x 16 Ga.
30	165714X598	Fender	184	166139	Bracket Actuator Bagger CRD
31	165156	Bracket, Fender Support	185	165940	Tube Lever Switch FBI CRD
33	145244X598	Footrest, L.H.	186	160793	Latch Asm Multch Bagger
34	145243X598	Footrest, R.H.	187	2029J	Nut Weld .327/.304 #10-24
35	72110606	Bolt	188	19061216	Washer #10
37	17490508	Screw Thdrol 5/16-18 x 1/2 TYT	189	10071000	Washer Lock #10
38	169834	Bracket Asm Pivot Mower Rear	190	71161010	Screw Truss Hd Phil 10-24 x 5/8
51	73800400	Nut Lock w/Insert 1/4-20 UNC	192	17490624	Screw Thdrol 3/8-16 x 1-1/2
52	19091416	Washer 9/32 x 7/8 x 16 Ga.	193	17070412	Screw Truss 1/4-20 x 3/4
53	144697	Bracket Grille Lh	198	168937	Nut Push
54	161464	Screw Hex Wsh hd 8-18 x 7/8	207	17670508	Screw Thdrol 5/16-18 x 1/2
55	144696	Bracket Grille Rh	208	17670608	Screw Thdrol 3/8-16 x 1/2
57	74780412	Bolt, Fin Hex 1/4-20 UNC x .75	209	17000612	Screw Hex Wsh Thdrol 3/8-16
58	150127	Air Duct	212	156229	Insert Lens Reflect
102	2751R	Clip Fuel Line	--	5479J	Plug, Button
145	156524	Rod Pivot Chassis/Hood			

**NOTE:** All component dimensions given in U.S. inches.  
1 inch = 25.4 mm.

# REPAIR PARTS

TRACTOR- -MODEL NO. 145HP107 (DE14542RBA)

## DRIVE





# REPAIR PARTS

## TRACTOR- -MODEL NO. 145HP107 (DE14542RBA)

### DRIVE

KEY NO.	PART NO.	DESCRIPTION	KEY NO.	PART NO.	DESCRIPTION
1	-----	Transaxle Peerless Model 206-546 (Order parts from transaxle manufacturer)	62	8883R	Cover Pedal Blk Round
2	146682	Spring Return Brake	65	10040700	Washer
3	165999	Pulley Transaxle 7"	66	154778	Keeper Belt Engine
4	12000028	Ring Retainer #5100-62	74	137057	Spacer Axle
5	121520X	Strap Torque 30 Degrees	75	121749X	Washer 25/32 x 1 1/4 x 16 Ga
8	165619	Rod Shift Fender Adjust LT	76	12000001	E-romg
9	170163	Clutch Asm Noram	77	123583X	Key Square 2.0 x .1845/ .1865
10	76020416	Pin Cotter 1/8 x 1 Cad	78	121748X	Washer 25/32 x 1-5/8 x 16 Ga
11	105701X	Washer Plate Shf. .388 Sq Hole	79	2228M	Key Woodruff #9 3/16 x 3/4
13	74550412	Bolt 1/4-28 Unf Gr 8 W/Patch	80	145090	Arm Shift
14	10040400	Washer Lock Hvy Helical 1/4	82	123782X	Spring, Torsion
16	73800500	Nut Lock Hex w/Ins 5/16-18 Unc Pl	83	19171216	Washer 17/32 x 3/4 x 16 Ga
18	74780616	Bolt, Fin Hex 3/8-16 x 1 Gr 5	84	165621	Link Shift CRD PMST
19	73800600	Nut Lock 3/8-16 Unc	96	4497H	Retainer Spring 1" Zinc/Cad
21	106933X	Knob Rd 1/2-13 Plstc. Thdrol Black	112	19091210	Washer 9/32 x 3/4 x 10 Ga
22	165811	Rod Brake PPMST CRD	144	19111016	Washer 11/32 x 5/8 x 16 Ga.
23	170017	Bracket Clutch	145	74490540	Bolt Hex Flghd 5/16-18 x Gr. 5
24	73350600	Nut Hex Jam 3/8-16 Unc	150	165850	Bushing Bellcrank Grd Drive
25	106888X	Spring Rod Brake 2.00 Zinc	151	19133210	Washer 13/32 x 2 x 10 Ga.
26	19131316	Washer 13/32 x 13/16 x 16 Ga.	153	74760516	Bolt Hex Hd 5/16-18 Unc x 1
27	76020412	Pin Cotter 1/8 x 3/4 Cad	156	166002	Washer Srrted 5/16 ID x 1 x .125
28	145204	Rod Brake Parking LT/YT	158	165589	Bracket Shift Mount
29	71673	Cap Brake Parking	159	165494	Hub Tapered Flange Shift Lt
30	130807	Bracket Mtg Transaxle	161	72140406	Bolt Rdhd Sqnk 1/4-20 x 3/4 x Gr 5
32	74760512	Bolt Hex Hd 5/16-18 Unc x 3/4	162	73680400	Nut Crownlock 1/4-20 Unc
33	72140506	Bolt Rdhd Sqnk 5/16-18 Unc x 3/4	163	74780416	Bolt Hex Fin 1/4+20 Unc x 1 Gr 5
34	165496	Shaft Asm Pedal Foot CRD	164	19091010	Washer 5/8 x .281 x 10 Ga.\
35	120183X	Bearing Nylon Blk 629 Id	165	165623	Bracket Pivot Lever
36	19211616	Washer 21/32 x 1 x 16 Ga	166	166880	Screw 5/16 -18 x 5/8
37	1572H	Pin Roll 3/16 x 1"	167	165588	Bracket Support Shift CRD
38	165936	Pulley Flat Composite 3.06	168	165492	Bolt Shoulder 5/16-18 x .561
39	74760644	Bolt Fin Hex 3/8-16 x 2-3/4 Gr. 5	171	17490608	Screw Thdrol 3/8-16 x 1/2 TY-TT
40	4470J	Spacer Split .395 x .59 Bzp	172	165635	Shaft Asm Shift Front CRD PMST
42	19131312	Washer 13/32 x 13/16 x 12 Ga	177	165932	Keeper Flat Idler 3.06
47	127783	Pulley Idler V Groove Plastic	178	165933	Keeper Belt Idler 1.88"CRD
48	154407	Bellcrank Clutch Grnd Drv Stl	179	120958X	Washer Sintered
49	123205X	Retainer Belt Style Spring	180	165630	Pulley Flat Idler 1.88"CRD
50	74760624	Bolt Hex Hd 3/8-16 Unc x 1-1/2	181	165797	Bracket Idler Ground Drive CRD
51	73680600	Nut Crownlock 3/8-16 Unc	182	165634	Keeper Belt 2.5" Od V-Idler CRD
52	73680500	Nut Crownlock 5/16-18 Unc	183	165626	Pulley V-Idler 2.50" Od CRD
53	105710X	Link Clutch	184	17490644	Scr Hex Wsh Thdrol 3/8-16 x 2-3/4
55	105709X	Spring Return Clutch 6.75	187	17490620	Screw Thdrol 3/8-16 x 1-1/2 TY-TT
56	74760620	Bolt Fin Hex 3/8-16 x 1-1/4	198	169593	Washer Nyl 7/8 ID x .105"
57	165631	V-Belt Kev 111" PMST CRD	202	72110612	Bolt Carr Sh 3/8-16 x 1-1/2 Gr. 5
61	17060612	Screw 3/8-16 x 3/4	203	71170780	Bolt Hex 7/16-20 x 5

**NOTE:** All component dimensions given in U.S. inches.  
1 inch = 25.4 mm.



# REPAIR PARTS

## TRACTOR- -MODEL NO. 145HP107 (DE14542RBA)

### STEERING ASSEMBLY

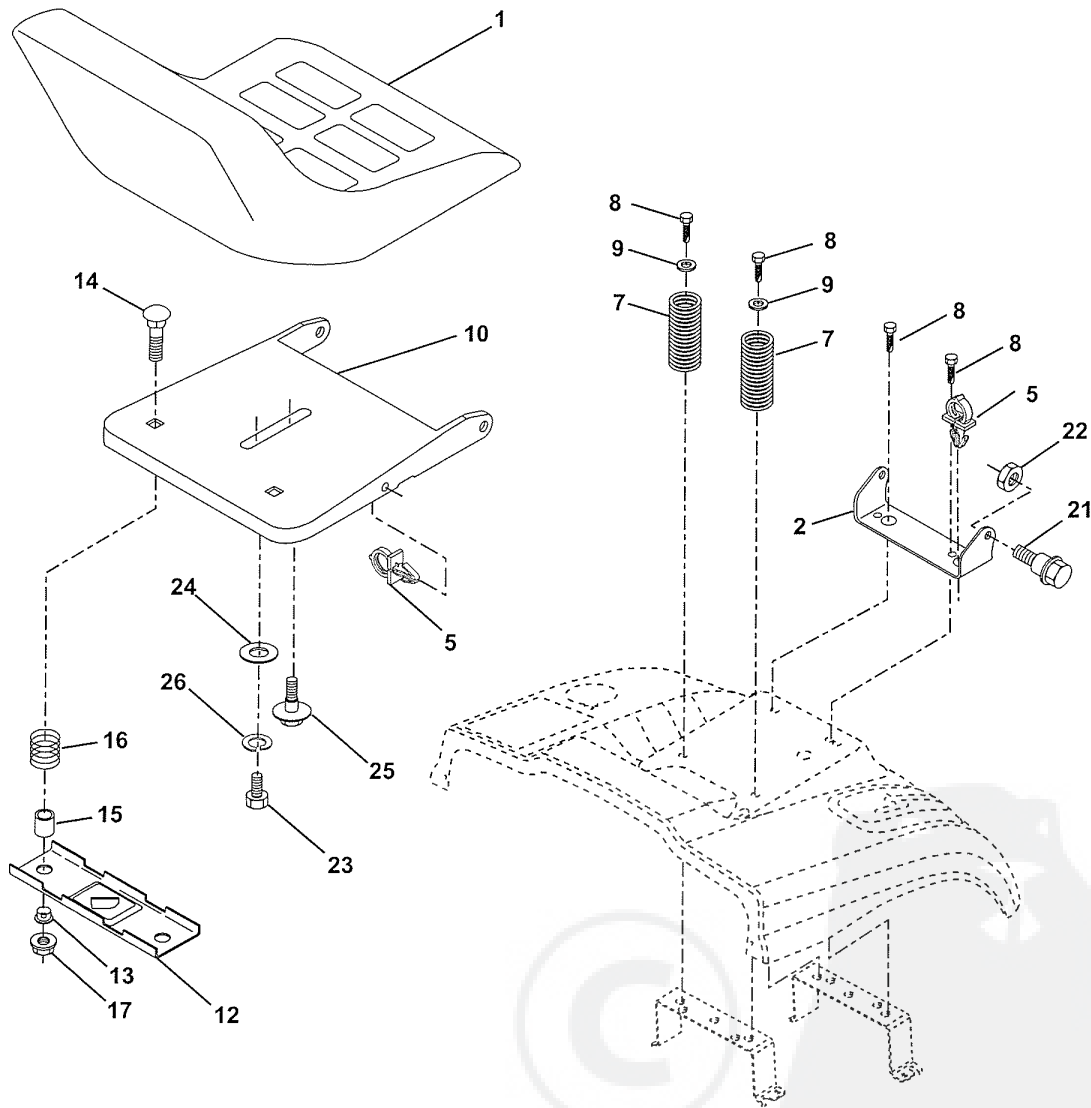
KEY NO.	PART NO.	DESCRIPTION
1	139768	Steering Wheel
2	172393	Axle Asm Cast Iron Lt
3	169840	Spindle Assembly, L.H.
4	169839	Spindle Assembly, R.H.
5	6266H	Bearing, Race, Thrust, Hardened
6	121748X	Washer 25/32 x 1-5/8 x 16 Gauge
8	12000029	Ring, Klip
10	169832	Link, Drag
11	10040600	Washer, Lock
13	136518	Spacer Brg AxleFront
15	145212	Nut Hexflange Lock
17	156546	Shaft Assembly, Steering
18	57079	Washer, Thrust .515 x .750 x .033
19	160395	Support, Shaft
22	165857	Screw Hex Wshhd Torx
23	165851	Pittman Shaft Assembly
25	154406	Bracket, Steering
27	136874	Gear, Sector
29	17060612	Screw 3/8-16 x 3/4
32	170162	Rod, Tie
33	19111216	Washer 11/32 x 3/4 x 16 Ga.
34	10040500	Washer Lock Hvy Hlcl Spr 5/16
35	73810500	Locknut 5/16-24 Unf
36	155099	Bushing, Steering
37	152927	Screw TT #10-32 x 5 x 3/8 Flange
38	140175	Cap Wheel Steer
39	19133812	Washer 13/32 x 2-3/8 x 12 Gauge
40	7810H	Nut Lock Center 3/8-24 Unf
41	100711L	Adaptor, Steering Wheel
42	145054X428	Boot, Steering Dash P/L Mtl
43	121749X	Washer 25/32 x 1-1/4 x 16 Gauge
44	153720	Extension Steering Non-Adjust
46	121232X	Cap, Spindle
47	6855M	Fitting, Grease
51	73800500	Nut Lock Hx W/Ins 5/16-18 UNC
54	74780520	Bolt Fin Hex 5/16-18 UNC x 1-1/4
62	167902	Kit, Steering Assembly, Service
63	74780616	Bolt Fin Hex 3/8-16 unc. x 1 Gr. 5
65	160367	Spacer Brace Axle
66	154404	Bearing Arm Pittman
67	72140618	Bolt Rdhd Sq 3/8-16 Unc x 2-1/4
68	169827	Brace Axle
79	19132012	Washer 13/32 x 1-1/4 x 12 Ga
80	74950612	Bolt Hex Nylon 3/8-16 x 3/4
82	169635	Bracket Susp Chassis Front
84	170016	Bracket Cable Clutch Chassis
85	133835	Fastner Christmas Tree
86	165898	Retainer Spring

**NOTE:** All component dimensions given in U.S. inches.  
1 inch = 25.4 mm.

# REPAIR PARTS

TRACTOR- -MODEL NO. 145HP107 (DE14542RBA)

## SEAT ASSEMBLY



KEY NO.	PART NO.	DESCRIPTION
1	127428	Seat
2	140551	Bracket Pnt Pivot Seat (blk )
5	145006	Clip Push In Hinged
7	124181X	Spring Seat Cprsn 2 250 Blk Zi
8	17000616	Screw 3/8-16 X 1-1/2
9	19131614	Washer 13/32 X 1 X 14 Ga
10	155925	Pan Pnt Seat (blk )
12	121246X	Bracket Pnt Mounting Switch
13	121248X	Bushing Snap Blk Nyl 50 Id
14	72050412	Bolt Rdhd Sht Nk 1/4-20x1-1/2
15	134300	Spacer Split 28 X 96 Zinc

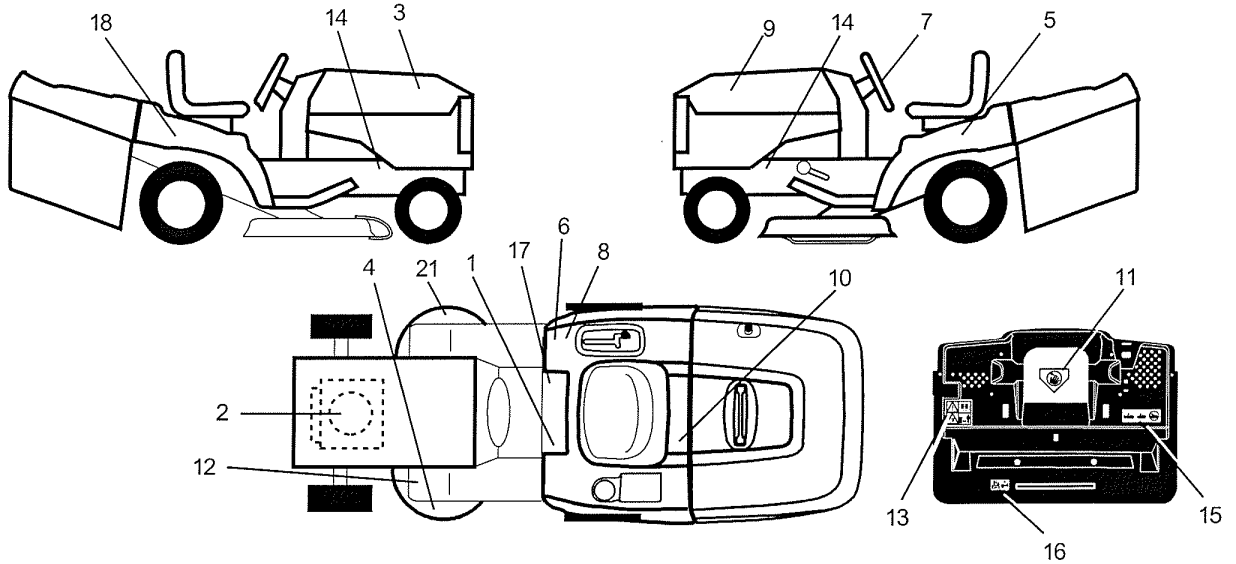
KEY NO.	PART NO.	DESCRIPTION
16	121250X	Spring Cprsn 1 27 Blk Pnt
17	123976X	Nut Lock 1/4 Lge Flg Gr 5 Zinc
21	171852	Bolt Shoulder 5/16-18 Unc-2A
22	73800500	Nut Hex Lock w/lns 5/16-18
23	74780814	Bolt Fin Hex 1/2-13 x 7/8
24	19171912	Washer 17/32 X 1-3/16 X 12 Ga.
25	127018X	Bolt Shoulder 5/16-18 X 62
26	10040800	Washer Lock Hvy Hlcl Spr 1/2

**NOTE:** All component dimensions given in U.S. inches.  
1 inch = 25.4 mm

# REPAIR PARTS

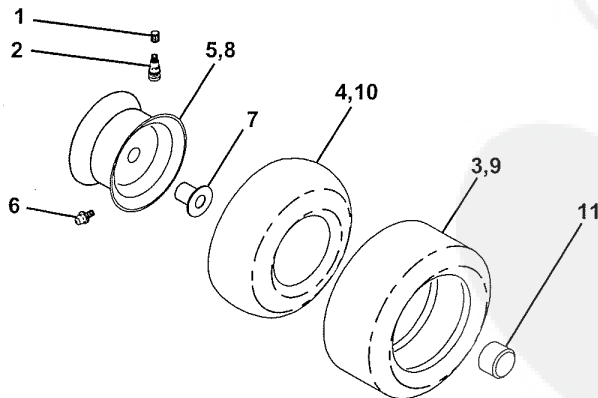
## TRACTOR- -MODEL NO. 145HP107 (DE14542RBA)

### DECALS



KEY NO.	PART NO.	DESCRIPTION	KEY NO.	PART NO.	DESCRIPTION
1	145498	Decal Read Owner's Manual Sym	13	166959	Decal Warn Back Plate CRD
2	170846	Decal Hp Engine	14	159736	Decal Chassis Hot Muffler
3	173874	Decal Hood RH	15	166961	Decal Oper Bag Presence CRD
4	167532	Decal Enviro Deck	16	162598	Decal Drawbar Load Limit
5	173858	Decal Fender LH	17	140837	Decal Saddle Brake Parking
6	126187X	Decal 100 DBA	18	173857	Decal Fender RH
7	167531	Decal Strng Wheel Logo	21	166286	Decal Hex Belt Sch 92 CRD
8	145437	Decal Europe Stand Ce	--	138311	Decal Lift Handle
9	173875	Decal Hood LH	--	157199X428	Pad Footrest
10	145005	Decal Bat Dan/Poi P/L Sym Wpn	--	173905	Manual Operator's (Euro)
11	145494	Decal Mower Cut Finger Symbol	--	173906	Manual Part's
12	159737	Decal Brake/Clutch Symbol Lt			

### WHEELS & TIRES



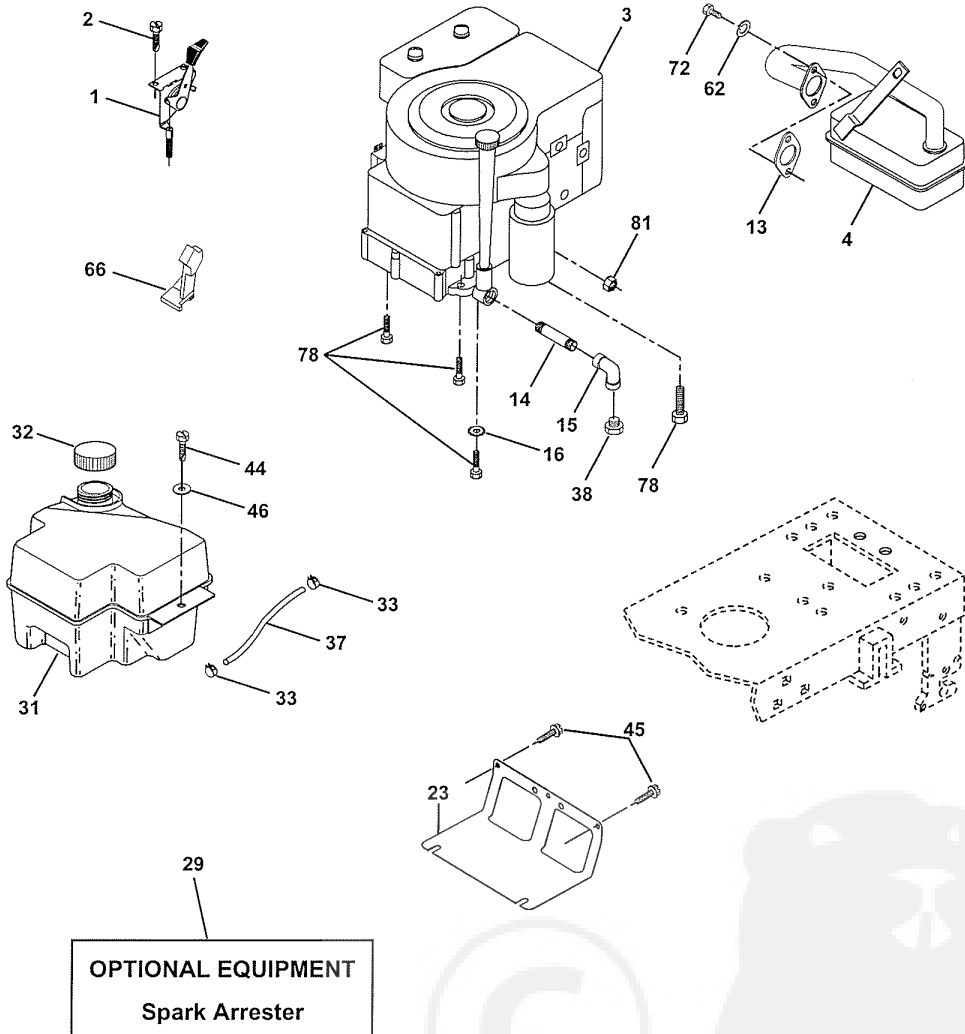
KEY NO.	PART NO.	DESCRIPTION
1	59192	Cap Valve Tire
2	65139	Stem Valve
3	106222X	Tire F Ts 15 X 6 0 - 6 Service
4	59904	Tube Inner Front #35060
5	106732X417	Rim Asm 6"front Service
6	278H	Fitting Grease
7	9040H	Bearing Flange
8	106108X417	Rim Asm 8"rear Service
9	124635X	Tire R Ts 18 x 8.5-8 Service
10	7152J	Tube Rear 9 5 X 8 Service
11	104757X	Cap Axle Blk 1 50 X 1 00
--	144334	Sealant, Tire (10 oz. tube)

**NOTE:** All component dimensions given in U.S. inches  
1 inch = 25.4 mm

# REPAIR PARTS

## TRACTOR- -MODEL NO. 145HP107 (DE14542RBA)

### ENGINE



**OPTIONAL EQUIPMENT**  
Spark Arrester

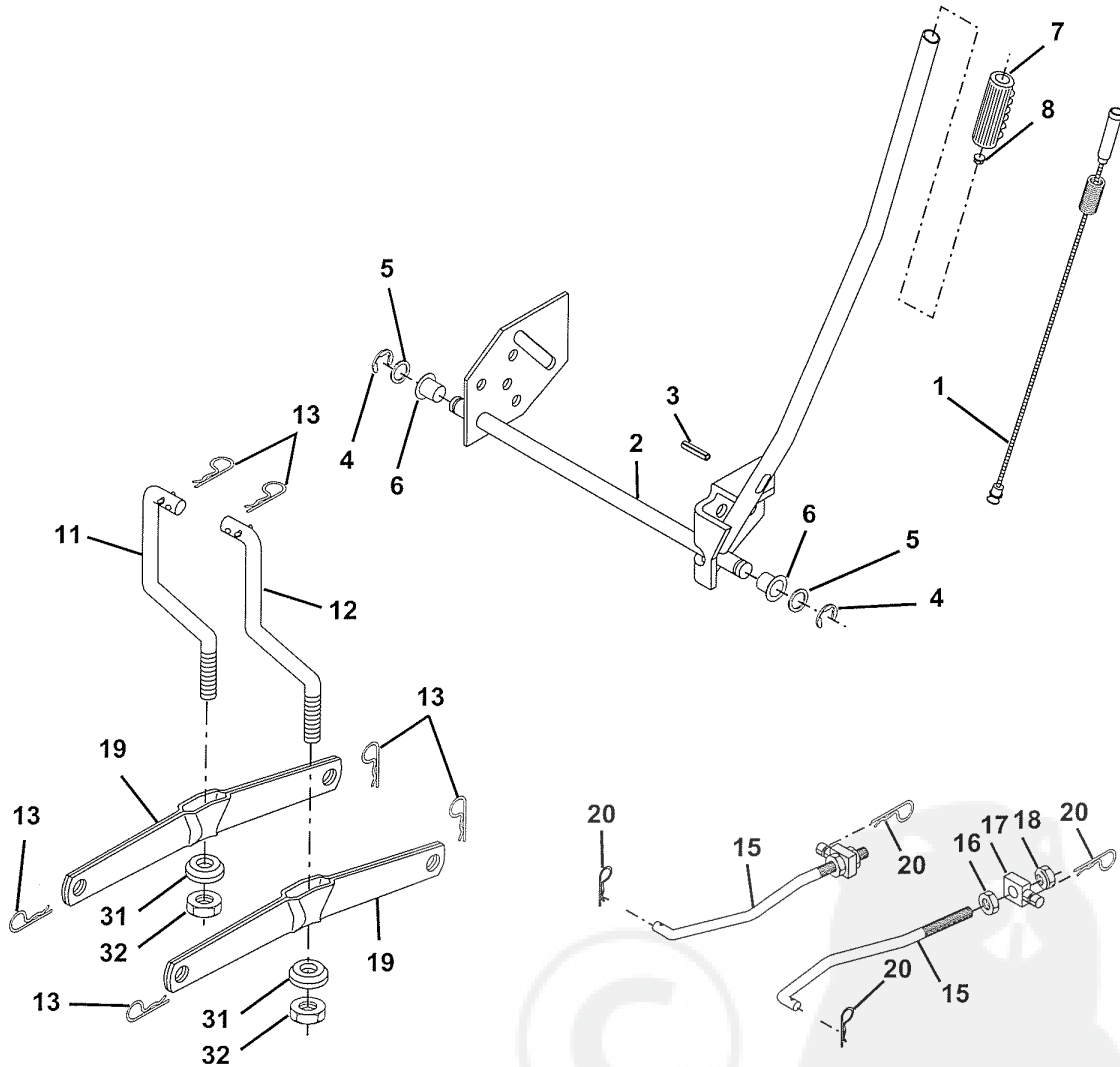
KEY NO.	PART NO.	DESCRIPTION	KEY NO.	PART NO.	DESCRIPTION
1	141359	Control Throt /Ch Lh	37	137040	Line Fuel 20"
2	17720410	Screw Hex Thd Cut 1/4-20 x 5/8 T	38	-----	Plug Oil Drain (Order From Engine Manufacturer)
3	-----	Engine, B&S Model 287707 (Order parts from engine manufacturer)	44	17670412	Screw Hexwsh Thdrol 1/4-20 x 3/4
4	137352	Muffler B&S	45	17000612	Screw Hex Wsh Thdrol 3/8-16 Bl
13	165291	Gasket 1 313 Id Tin Plated	46	19091416	Washer 9/32 x 7/8 x 16ga
14	13280324	Nipple Pipe 3 x 3/8	62	10040500	Washer Lock Hvy Hlcl Spr 5/16
15	13200300	Elbow Std 90 Degree 3/8-18 Npt	66	127951	Stop Throttle
16	11050600	Washer Lock Ext Tooth 3/8	72	71070512	Screw Hex Hd Cap 5/16-18 x 3/4
23	169837	Shield Browning/Debris Guard	78	17060620	Screw 3/8-16 x1-1/4
29	137180	Arrestor Spark	81	73510400	Nut Keps Hex 1/4-20 Unc
31	161911	Tank Fuel			
32	140527	Cap Asm Fule Top Vent N/Lany			
33	123487X	Clamp Hose Blk			

**NOTE:** All component dimensions given in U.S. inches  
1 inch = 25.4 mm

# REPAIR PARTS

TRACTOR- -MODEL NO. 145HP107 (DE14542RBA)

## MOWER LIFT



KEY NO.	PART NO.	DESCRIPTION
1	159460	Washer Asm Inner Spring W/Plunger
2	159471	Shaft Asm. Lift
3	105767X	Pin Groove
4	12000002	E Ring #5133-62
5	19211621	Washer 21/32 x 1 x 21 Ga.
6	120183X	Bearing Nylon
7	109413X	Grip Handle Bicycle
8	124526X	Button Plunger
11	165829	Link Asm Lift L.H.
12	165831	Link Asm Lift R.H.

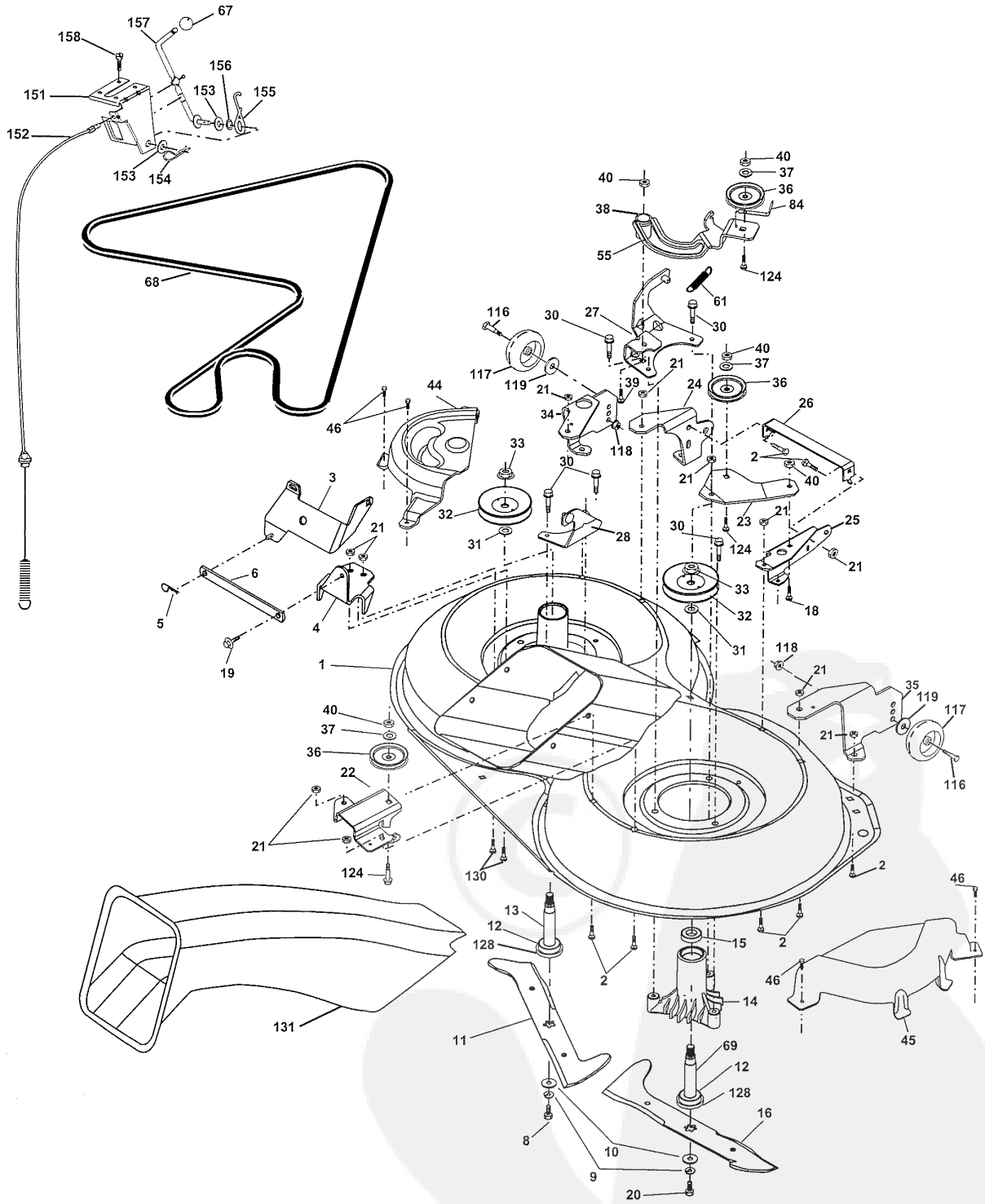
KEY NO.	PART NO.	DESCRIPTION
13	4939M	Retainer Spring
15	173288	Link Front
16	73350800	Nut Jam Hex 1/2-13 Unc
17	130171	Trunnion Blk Zinc
18	73800800	Nut Lock W/Wsh 1/2-13 Unc
19	139868	Arm Suspension Mower
20	163552	Retainer Spring
31	140302	Bearing, Pvt. Lift. Spherical
32	73540600	Nut Crownlock 3/8-24

**NOTE:** All component dimensions given in U.S. inches  
1 inch = 25.4 mm

# REPAIR PARTS

TRACTOR- -MODEL NO. 145HP107 (DE14542RBA)

MOWER





# REPAIR PARTS

## TRACTOR- -MODEL NO. 145HP107 (DE14542RBA)

### MOWER

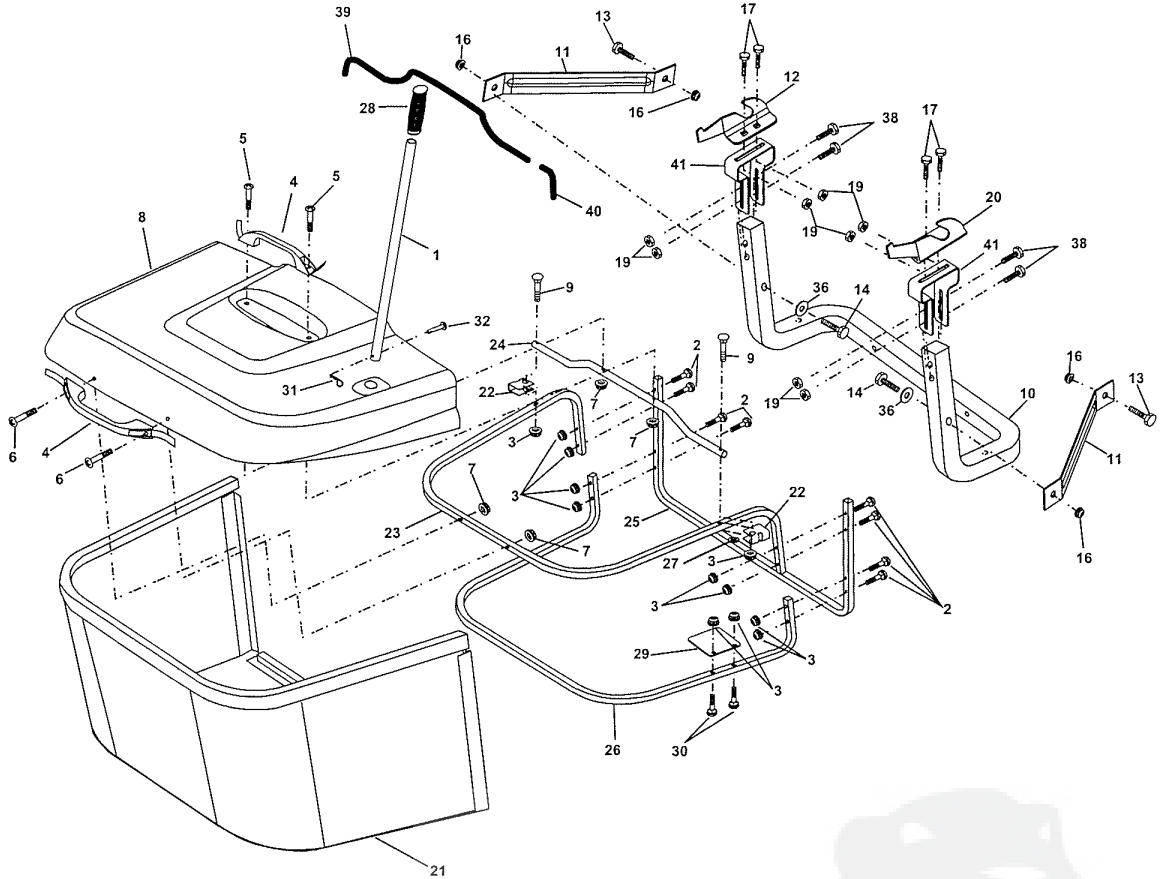
KEY NO.	PART NO.	DESCRIPTION	KEY NO.	PART NO.	DESCRIPTION
1	169160	Housing Asm. Mower 107 CRD	38	169851	Spacer Hub Arm Idler 107
2	72140506	Bolt Rdhd Sqnk 5/16-18 Unc x 3/4	39	72110622	Bolt Rdhd 3/8-16 x 2-3/4
3	165569	Bracket Asm S-Bar Chass 107 CRD	40	73680600	Nut Crownlock 3/8-16 Unc
4	169167	Bracket Bar Sway Deck 107 CRD	44	169180	Cover Mandrel Lh 107 CRD
5	4939M	Retainer Spring	45	169179	Cover Mandrel Rh 107 CRD
6	165557	Bar Sway 107 CRD	46	137729	Screw Thd Roll 1/4-20 x 5/8
8	850857	Bolt 3/8-24 x 1.25 Gr8 Patched	55	169849	Arm Idler 107 CRD
9	10030600	Washer Lock Hvy 3/8 Unplated	61	165945	Spring Tension Belt
10	140296	Washer Hard Blade Mower vented	67	106932X	Knob Rd 3/8-16 Plstc Thds Blk
11	168720	Blade 3-1 Lh 107 CRD	68	169178	Hex-Belt 107 Mower
12	129895	Bearing Ball #6204 (Mandrel)	69	165482	Shaft Asm W/Lwr Brg Rh Thd CRD
13	137645	Shaft Asm. W/Lower Bearing	84	156085	Keeper Belt Idler
14	128774	Housing Mandrel Vented (Machd)	116	137644	Bolt Shoulder
15	110485X	Bearing Ball Mandrel	117	133957	Wheel Gage Donut Wide
16	168721	Blade 3-1 Rh 107 CRD	118	73930600	Nut Centerlock 3/8-16 Unc
18	72110608	Bolt Rdhd Sqnk 3/8-16 x 1 Gr5	119	19121414	Washer 3/8 x 7/8 x 14 Ga.
19	132827	Bolt Shoulder 5/16-18 Thd Form	124	72110612	Bolt Carr Sh 3/8-16 x 1-1/2 Gr5
20	165484	Bolt 3/8-24 x 1.25 Gr8 Ptch Lhthd	128	153390	Washer Felt
21	73680500	Nut Crown Lock 5/16-18	130	72110506	Bolt Rdhdsqnk 5/16-18 Unc x 3/4
22	169165	Bracket Idler Sprt RR 107 CRD	131	165661	Chute Bagger CRD 92cm
23	169166	Bracket Idler Sprt RF 107 CRD	151	169670	Bracket Clutch Cable
24	169170	Bracket Suspension LF 107 CRD	152	170300	Cable Clutch CRD Service
25	169171	Bracket Suspension RF 107 CRD	153	169674	Washer Flat 3/8" Type B
26	165237	Brace Support Susp Frt CRD	154	169675	Spring Retainer
27	169172	Bracket Asm. Susp RR 107 CRD	155	169671	Spring Retention Lvr Clutch Cable
28	169168	Bracket Asm. Susp LR 107 CRD	156	169672	Spacer Clutch Cable
30	157722	Screw Thd Rolling Washer Head	157	169669	Rod Clutch Cable 3/8"
31	129963	Washer Spacer Mower Vented	158	17720410	Screw Hex Thd Cut 1/4-20 x 5/8
32	153535	Mandrel Pulleys 36 & 46	-	130794	Mandrel Asm Service
33	137266	Nut Flg Top Lock Cntr B 9/16	-	165579	Mandrel Asm CRD Lh Threads SVC
34	169174	Bracket Gauge Wheel Lf 107 CRD	-	170273	Deck Mower Complete
35	169175	Bracket Gauge Wheel Rf 107 CRD			
36	146763	Pulley Idler V-Groove Dim 4.25			
37	19131316	Washer 11/32 x 13/16 x 16 Ga			

**NOTE:** All component dimensions given in U.S. inches  
1 inch = 25.4 mm

# REPAIR PARTS

TRACTOR- -MODEL NO. 145HP107 (DE14542RBA)

## BAGGER



KEY NO.	PART NO.	DESCRIPTION
1	165249	Tube Handle Bagger CRD
2	72140416	Bolt Carriage 1/4-20 x 2.0 Gr.5
3	123976X	Nut Lock 1/4 Lge Flg Gr. 5 Zinc
4	169916	Handle Bagger W/Lurs Blk CRD
5	74981024	Screw Pan Head #10-24 xX 1.50 Blk
6	74981032	Screw Pan Hd
7	73401000	Nut Wiz Lock Hex Serr/Hd 10-24
8	165715X598	Cover Bagger Plastic CRD
9	72140418	Bolt Carriage 1/4-20 x 2.25d x Gr.5
10	169688	Tube Support Bagger CRD
11	165719	Bracket Support Upper Bag CRD
12	169685	Bracket Horiz Adj Bggr Lh CRD
13	72110606	Bolt Rdhd Sht Sqnk 3/8-16 x 3/4
14	74520640	Bolt Hex 3/8-16 x 2-1/2 Gr. 5
16	73900600	Nut Lock Flg 3/8-16 Unc
17	72140506	Bolt Rdhd Sht Sqnk 5/16 -18 Unc x 3/4
19	73900500	Nut Lock Hex W/Ins 5/16-18 Unc Pl
20	169684	Bracket Horiz Adj Bggr Rh CRD

KEY NO.	PART NO.	DESCRIPTION
21	165780	Bag Asm CRD
22	165781	Bracket Side Bagger CRD
23	165782	Tube Upper Bagger CRD
24	165783	Tube Pivot Bagger CRD
25	165784	Tube Front Bagger CRD
26	165785	Tube Lower Bagger CRD
27	169692	Bushing Snap Bagger CRD
28	165787	Grip Handle Black
29	165839	Plate Stop Bagger handle CRD
30	72140410	Bolt Carriage 1/4-20 x 1 Gr.5
31	4497H	Retainer Spring 1" Zinc/Cad
32	126875X	Rivet Rd Hd Drilled 3/8 Dia
36	19132016	Washer 13/32 x 1-1/4 x 16 Ga.
38	72010520	Bolt 5/16-18 x 2-1/2
39	169999	Seal 26"
40	170000	Seal 7"
41	169683	Bracket Vert Adj Bagger CRD

**NOTE:** All component dimensions given in U.S. inches  
1 inch = 25.4 mm



Issued January 1980  
Revised January 1991

# SERVICE POLICY WARRANTY



## LIMITED WARRANTIES FOR NEW PEERLESS GEAR POWER TRAIN COMPONENTS

### A. Products Warranted

Peerless Gear and Machine Division of Tecumseh Products Company ("Tecumseh"), subject to the limitations contained below, will, at its option, repair or replace, without charge for parts or labor only, any part of a new Power Train Component (which as used herein means and includes the transaxle, gear box, transmission, differential and right angle drives, and any part of the Power Train Component), EXCEPT any new Power Train Component incorporated in equipment used for commercial or rental purposes, which is found upon examination by any Tecumseh Authorized Service Outlet or by Tecumseh's factory in Grafton, Wisconsin, to be DEFECTIVE IN MATERIAL AND/OR WORKMANSHIP if received by Tecumseh or a Tecumseh Authorized Service Outlet for such examination within TWO YEARS from the date of sale to the original consumer purchaser of Peerless Series 820, 900, 910, 915, 920, 930 transaxles and Series 1100 angle drive and ONE YEAR for all other Peerless products. New Power Train Components incorporated in equipment used for commercial purposes are warranted in the same manner and to the same extent EXCEPT such Power Train Components are warranted for NINETY (90) DAYS ONLY, and must be received by Tecumseh or by a Tecumseh Authorized Service Outlet for such examination within 90 days from the date of sale to the original purchaser. New Power Train Components incorporated in equipment used for rental purposes are warranted in the same manner and to the same extent EXCEPT such Power Train Components are warranted for THIRTY (30) DAYS ONLY, and must be received by Tecumseh or a Tecumseh Authorized Service Outlet within 30 days from the date of sale to the original purchaser.

### B. Products And Items Not Warranted

1. Alterations or Modifications of Power Train Components.
2. Accidents, Normal Maintenance, Failure to follow the Original Equipment Manufacturer's Manual.

This warranty covers only parts of new Power Train Components which are found upon examination to be defective in material or workmanship as delivered to the original purchaser. This warranty does not cover defects caused by depreciation or damage caused by normal wear, accidents, improper maintenance, improper use or abuse of the product, failure to follow the instructions contained in an Instruction Manual for the operation of the Power Train Component and parts. The cost of normal maintenance and replacement of service items which are not defective shall be paid for by the original purchaser.

### C. Securing Warranty Service

Warranty service can be arranged for by contacting either a Tecumseh Authorized Service Outlet (any Tecumseh Registered Service Dealer, Tecumseh Authorized Service Distributor, or Tecumseh Central Warehouse Distributor) or by contacting Tecumseh, c/o Service Manager, Engine and Transmission Group Service Division, 900 North Street, Grafton, Wisconsin 53024. Warranty service can only be performed by a Tecumseh Authorized Service Outlet or by Tecumseh at its factory in Grafton, Wisconsin. At the time of requesting warranty service, evidence must be presented of the date of sale to the original purchaser. The purchaser shall pay any charges for making service calls and/or for transporting the product to and from the place where the inspection and/or warranty work is performed. The purchaser shall be responsible for any damage or loss incurred in connection with the transportation of Power Train Components and/or part(s) of the Power Train Components submitted for inspection and/or warranty work.

### D. Limitation of Damages and Implied Warranties

The foregoing EXPRESSED WARRANTY IS IN LIEU OF ALL OTHER EXPRESS WARRANTIES. Neither Tecumseh nor any of its affiliates makes any warranties, representations or promises, written or oral, as to the quality of the Power Train Component or any of its parts, other than as set forth herein.

ANY IMPLIED WARRANTY OF MERCHANTABILITY OR FITNESS FOR A PARTICULAR PURPOSE, TO THE EXTENT THAT EITHER MAY APPLY TO ANY PART(S) OF POWER TRAIN COMPONENTS, SHALL BE LIMITED IN DURATION TO THE PERIODS OF THE EXPRESSED WARRANTIES DEFINED IN PARAGRAPH A HEREOF. IN NO EVENT WILL TECUMSEH BE LIABLE FOR ANY INCIDENTAL, CONSEQUENTIAL OR SPECIAL DAMAGES AND/OR EXPENSES. Some states do not allow limitations on how long an implied warranty lasts or the exclusion or limitation of incidental or consequential damages, so the above limitation(s) or exclusion(s) may not apply to you. This warranty gives you specific legal rights and you may also have other legal rights which vary from state to state.

### E. No Dealer Warranty

Tecumseh neither assumes nor authorizes any other person, natural or corporate, to assume for Tecumseh any other obligations or liabilities in connection with or with respect to any part(s) of a Power Train Component. The seller or dealer of part(s) of a Power Train Component has no authority, whatsoever, to make any representations or promises on behalf of Tecumseh or to modify the terms or limitations of Tecumseh's warranty in any way.

## LIMITED WARRANTY

The Manufacturer warrants to the original consumer purchaser that this product as manufactured is free from defects in materials and workmanship. For a period of one (1) year from date of purchase by the original consumer purchaser, we will repair or replace, at our option, without charge for parts or labor incurred in replacing parts, any part which we find to be defective due to materials or workmanship. This Warranty is subject to the following limitations and exclusions.

1. This warranty does not apply to the engine. Please contact your nearest dealer where they will send the machine to the engine manufacturer.
2. Transportation charges for the movement of any power equipment unit or attachment are the responsibility of the purchaser. Transportation charges for any parts submitted for replacement under this warranty must be paid by the purchaser unless such return is requested by your dealer.
3. Battery Warranty: On products equipped with a Battery, we will replace, without charge to you, any battery which we find to be defective in manufacture, during the first ninety (90) days of ownership. After ninety (90) days, we will exchange the Battery, charging you 1/12 of the price of a new Battery for each full month from the date of the original sale. Battery must be maintained in accordance with the instructions furnished.
4. The Warranty period for any products used for rental or commercial purposes is limited to 90 days from the date of original purchase.
5. This Warranty applies only to products which have been properly assembled, adjusted, operated, and maintained in accordance with the instructions furnished. This Warranty does not apply to any product which has been subjected to alteration, misuse, abuse, improper assembly or installation, delivery damage, or to normal wear of the product.
6. Exclusions: Excluded from this Warranty are belts, blades, blade adapters, normal wear, normal adjustments, standard hardware and normal maintenance.
7. In case of any problem within the boundaries of this warranty, contact the nearest department store, indicate the model number, serial number and the date of purchase of your machine. This warranty does not apply to accidental damages. All implicit warranties are limited to the same time frames. Or contact:

E.M. Services  
54 Rue Lambrechts  
92400 Courbevoie  
France  
Telephone: (1) 46678078  
Fax: (1) 46678095

THIS WARRANTY DOES NOT APPLY TO INCIDENTAL OR CONSEQUENTIAL DAMAGES. ANY IMPLIED WARRANTIES ARE LIMITED TO THE SAME TIME PERIODS STATED HEREIN.



**Yard Pro**