

REPAIR PARTS MANUAL
MODEL NO. LZ12592RB (96061004602)
Lawn Tractor

LAZER[®]

532 19 92-91 04.28.05 TR
PRINTED IN U.S.A.

HOW TO USE THIS MANUAL

This manual is designed to provide the customer with a means to identify the parts on his/her tractor when ordering repair parts. The illustrations may or may not represent the actual assemblies; therefore, it is not recommended to use this manual as a guide to assemble or disassemble the tractor. Some hardware and parts are drawn larger in order to more readily identify them.

Each tractor has its own model number.

The model number for your tractor can be found on the fender under the seat.

When ordering parts, always give the following information:

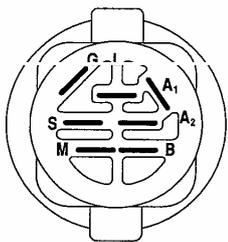
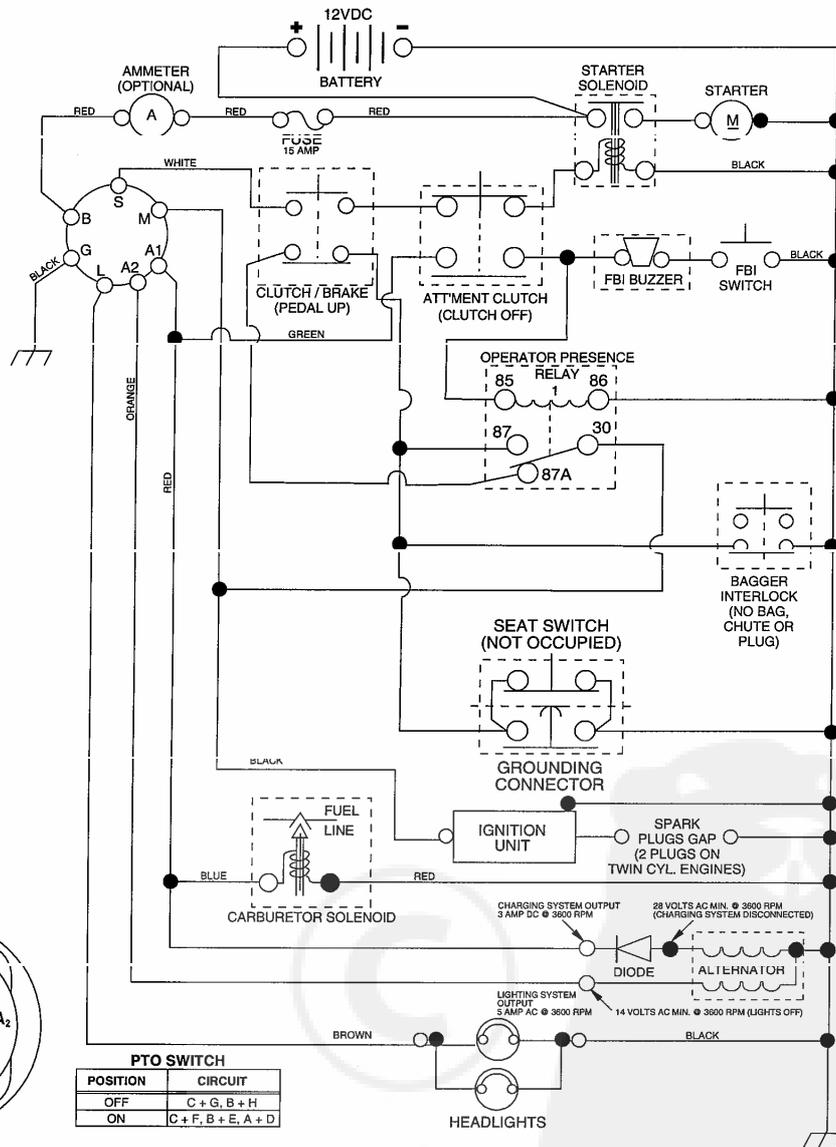
- Product - "Tractor"

- Model Number - LZ12592RB (96061004602)"
- Part Number
- Part Description

TABLE OF CONTENTS

| | |
|-------------------------|--------------|
| SCHEMATIC | 3 |
| ELECTRICAL..... | 4-5 |
| CHASSIS..... | 6-7 |
| DRIVE..... | 8-9 |
| STEERING | 10-11 |
| SEAT | 12 |
| DECALS..... | 13 |
| ENGINE..... | 14 |
| MOWER LIFT..... | 15 |
| MOWER DECK | 16-17 |
| BAGGER..... | 18 |

TRACTOR MODEL NO. LZ12592RB (96061004602), PRODUCT NO. 960 61 00-46 SCHEMATIC



IGNITION SWITCH

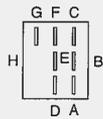
| POSITION | CIRCUIT | "MAKE" |
|-----------|------------|--------|
| OFF | M+G+A1 | NONE |
| RUN/LIGHT | B+A1 | A2+L |
| RUN | B+A1 | NONE |
| START | B + S + A1 | NONE |

PTO SWITCH

| POSITION | CIRCUIT |
|----------|---------------------|
| OFF | C + G, B + H |
| ON | C + F, B + E, A + D |

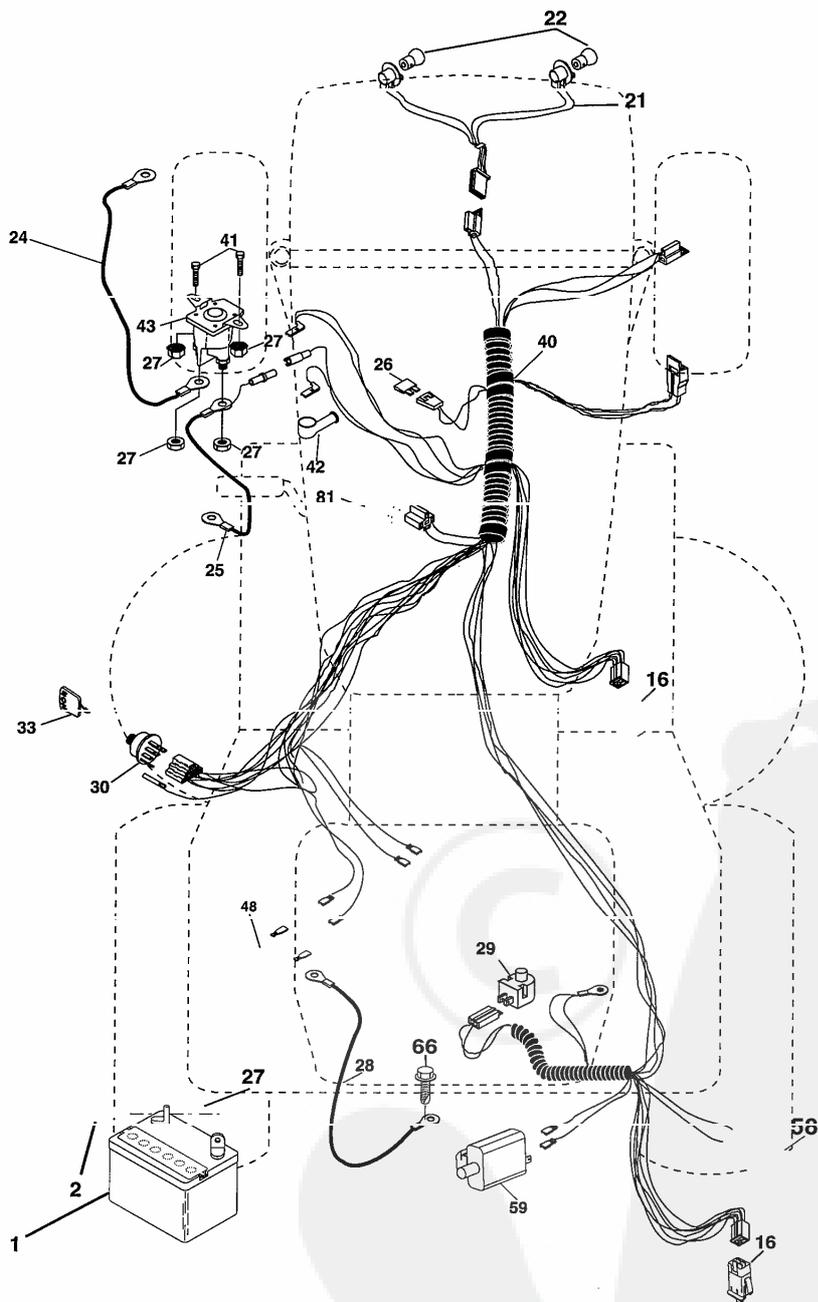
WIRING INSULATED CLIPS
NOTE: IF WIRING INSULATED CLIPS WERE REMOVED FOR SERVICING OF UNIT, THEY SHOULD BE REPLACED TO PROPERLY SECURE YOUR WIRING.

02863



REPAIR PARTS

TRACTOR- -MODEL NO. LZ12592RB (96061004602), PRODUCT NO. 960 61 00-46
ELECTRICAL

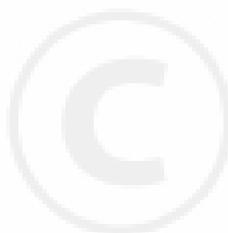


REPAIR PARTS

TRACTOR- -MODEL NO. LZ12592RB (96061004602), PRODUCT NO. 960 61 00-46
ELECTRICAL

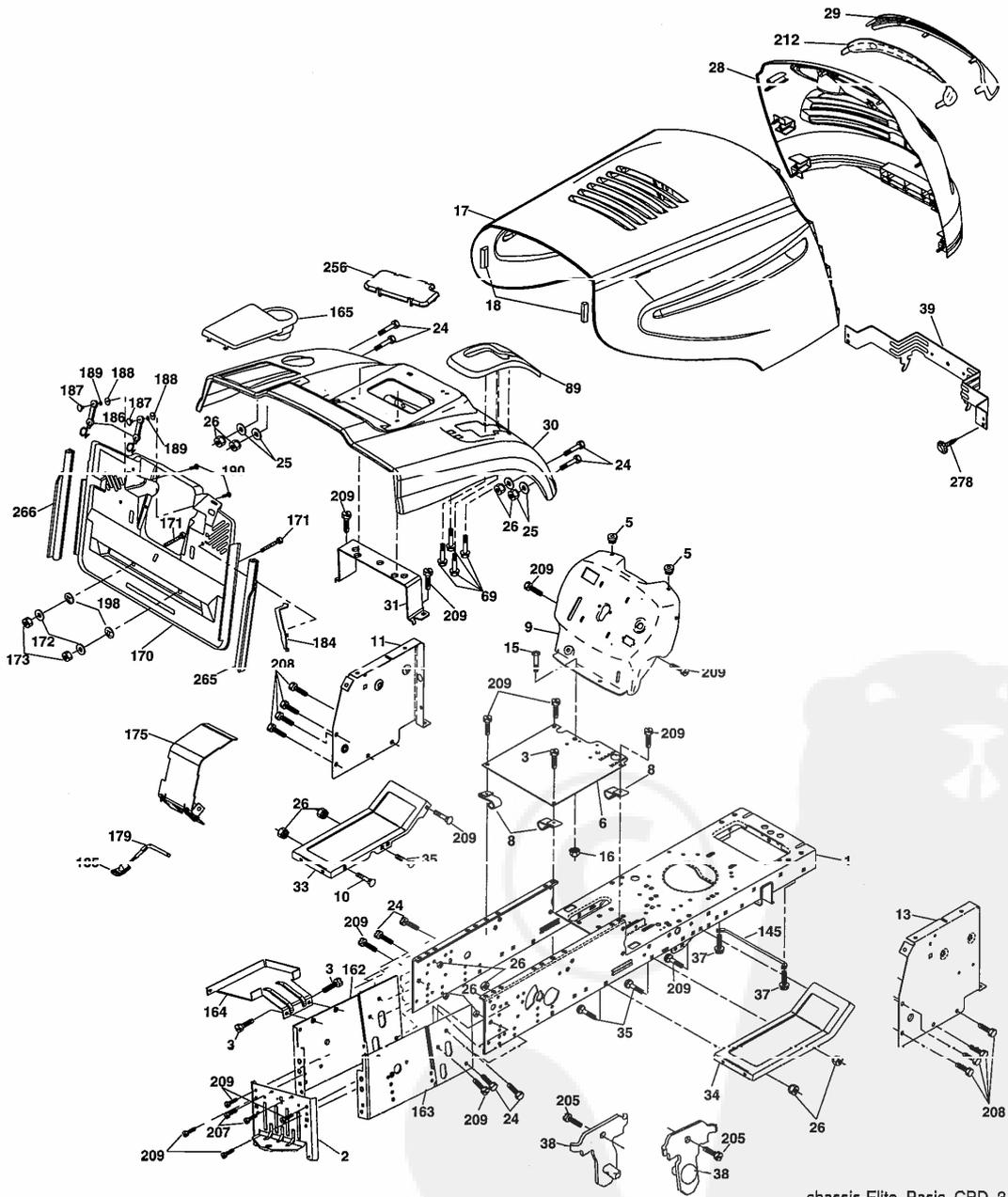
| KEY NO. | PART NO. | DESCRIPTION |
|---------|--------------|-----------------------------------|
| 1 | 532 16 34-65 | Battery |
| 2 | 874 76 04-12 | Bolt Hex Hd 1/4-20 unc x 3/4 |
| 16 | 532 17 61-38 | Switch Interlock Push-In |
| 24 | 532 12 47-80 | Cable Starter 6 Ga. 11" Red |
| 25 | 532 16 59-87 | Cable Battery Crd 56" Red |
| 26 | 532 17 51-58 | Fuse 20 Amp |
| 27 | 873 51 04-00 | Nut Keps Hex 1/4-20 unc |
| 28 | 532 12 77-25 | Cable Ground 6 Ga. 18" Black |
| 29 | 532 12 13-05 | Switch Plunger NC Gray |
| 30 | 532 17 55-66 | Switch Ignition |
| 33 | 532 14 04-01 | Key Ign |
| 40 | 532 18 80-36 | Harness Ign |
| 41 | 871 11 04-08 | Bolt Flk Fin Hex 1/4-20 unc x 1/2 |
| 42 | 532 13 15-63 | Cover Terminal Red |
| 43 | 532 17 88-61 | Solenoid |
| 48 | 532 14 08-44 | Adapter Ammeter Rectangular |
| 58 | 532 16 94-19 | Buzzer Crd |
| 59 | 532 18 03-79 | Switch FBI CRD |
| 66 | 817 49 06-08 | Screw Thdrol 3/8-16 x 1/2 Ty-Tt |
| 81 | 532 10 97-48 | Relay Asm |

NOTE: All component dimensions given in U.S. inches.
1 inch = 25.4 mm.



REPAIR PARTS

TRACTOR- -MODEL NO. LZ12592RB (96061004602), PRODUCT NO. 960 61 00-46
CHASSIS AND ENCLOSURES



chassis-Elite_Basic_CRD_3

REPAIR PARTS

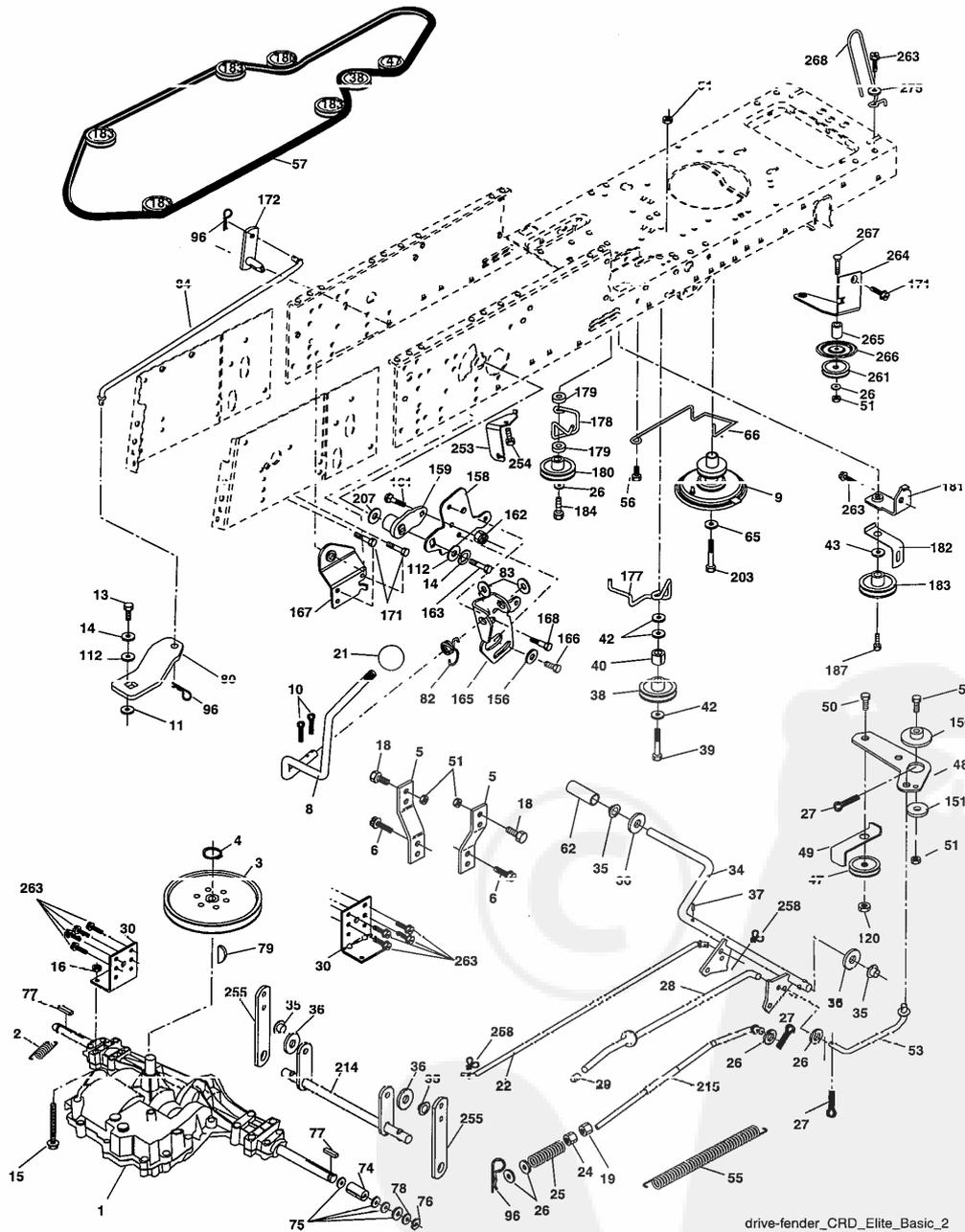
TRACTOR- -MODEL NO. LZ12592RB (96061004602), PRODUCT NO. 960 61 00-46
CHASSIS AND ENCLOSURES

| KEY NO. | PART NO. | DESCRIPTION | KEY NO. | PART NO. | DESCRIPTION |
|---------|--------------|---|---------|--------------|-------------------------------------|
| 1 | 532 17 46-20 | Chassis | 163 | 532 18 03-83 | Bracket Exten Chassis Rh CRD |
| 2 | 532 18 03-84 | Drawbar | 164 | 532 16 56-05 | Support Battery CRD |
| 3 | 817 06 06-12 | Screw 3/8-16 x .75 | 165 | 532 18 13-56 | Cover Battery CRD Lt |
| 5 | 532 15 52-72 | Bumper Hood/Dash | 170 | 532 17 88-62 | Backplate CRD |
| 6 | 532 18 44-19 | Saddle | 171 | 872 14 06-20 | Bolt Rdhd Sqnk 3/8-16 x 2-1/2 Gr. 5 |
| 8 | 532 12 64-71 | Clip Insulator 13/32 Mtg. Hole | 172 | 819 13 20-16 | Washer 13/32 x 1-1/4 x 16 Ga. |
| 9 | 532 19 46-88 | Dash | 173 | 873 51 06-00 | Nut, Keps Hex 3/8-16 unc |
| 10 | 872 14 06-08 | Bolt, Carriage 3/8-16 x 3/4 | 175 | 532 18 82-03 | Trap Door CRD |
| 11 | 532 17 49-96 | Panel, Dash, L.H. | 179 | 532 18 82-02 | Rod Pivot FBI CRD |
| 13 | 532 18 69-52 | Panel, Asm. Dash R.H. | 184 | 532 17 46-62 | Bracket Actuator Bagger CRD |
| 15 | 874 18 05-12 | Screw, Machine, Truss Head 5/16-18 unc x 3/4 | 195 | 532 19 11 01 | Knob Rod |
| 16 | 873 51 05-00 | Nut | 186 | 532 16 07-93 | Latch Asm Multch Bagger |
| 17 | 532 18 67-07 | Hood Assembly | 187 | 532 12 50-04 | Nut Weld .327/.304 #10-24 |
| 18 | 532 18 49-21 | Bumper Hood | 188 | 819 06 12-16 | Washer #10 |
| 24 | 874 78 06-16 | Bolt | 189 | 810 07 10-00 | Washer Lock #10 |
| 25 | 819 13 13-12 | Washer 13/32 x 13/16 x 12 Ga. | 190 | 871 08 10-10 | Screw Pan Hd Phillips 10-24 x 5/8 |
| 26 | 873 80 06-00 | Nut | 198 | 532 16 89-37 | Nut Push |
| 28 | 532 18 38-26 | Grille Lens Asm (Include Key nos. 29 and 212) | 205 | 817 49 06-08 | Screw 3/8-16 x 1/2 |
| 29 | 532 18 98-37 | Lens Grille Bar | 207 | 817 67 05-08 | Screw 5/16-18 x 1/2 |
| 30 | 532 19 73-44 | Fender | 208 | 817 67 06-08 | Screw Thdrol 3/8-16 x 1/2 |
| 31 | 532 16 51-56 | Bracket, Fender Support | 209 | 817 00 06-12 | Screw Hex vsin Tinuroi 3/8-16 x 3/4 |
| 33 | 532 18 11-93 | Footrest, L.H. | 212 | 532 18 38-23 | Insert Lens Refl. |
| 34 | 532 18 11-94 | Footrest, R.H. | 256 | 532 18 13-61 | Cover Fender Rack CRD |
| 35 | 872 11 06-06 | Bolt | 265 | 532 18 57-04 | Seal RH Side Bagger |
| 37 | 817 49 05-08 | Screw Thdrol 5/16-18 x 1/2 TYT | 266 | 532 18 57-03 | Seal LH Side Bagger |
| 38 | 532 18 17-48 | Bracket Asm Pivot Mower Rear | 278 | 532 19 16-11 | Screw 10 x 3/4 Single Lead Hex |
| 39 | 532 17 47-14 | Bracket Pivot | -- | 532 00 54-79 | Plug, Button |
| 69 | 532 14 24-32 | Screw Hex 1/4-1/2 | -- | 532 19 39-35 | Plug Switch Light |
| 89 | 532 19 73-39 | Console | | | |
| 145 | 532 15 65-24 | Rod Pivot Chassis/Hood | | | |
| 162 | 532 18 03-82 | Bracket Exten Chassis Lh CRD | | | |

NOTE: All component dimensions given in U.S. inches.
1 inch = 25.4 mm.

REPAIR PARTS

TRACTOR- -MODEL NO. LZ12592RB (96061004602), PRODUCT NO. 960 61 00-46
DRIVE



drive-fender_CRD_Elite_Basic_2

REPAIR PARTS

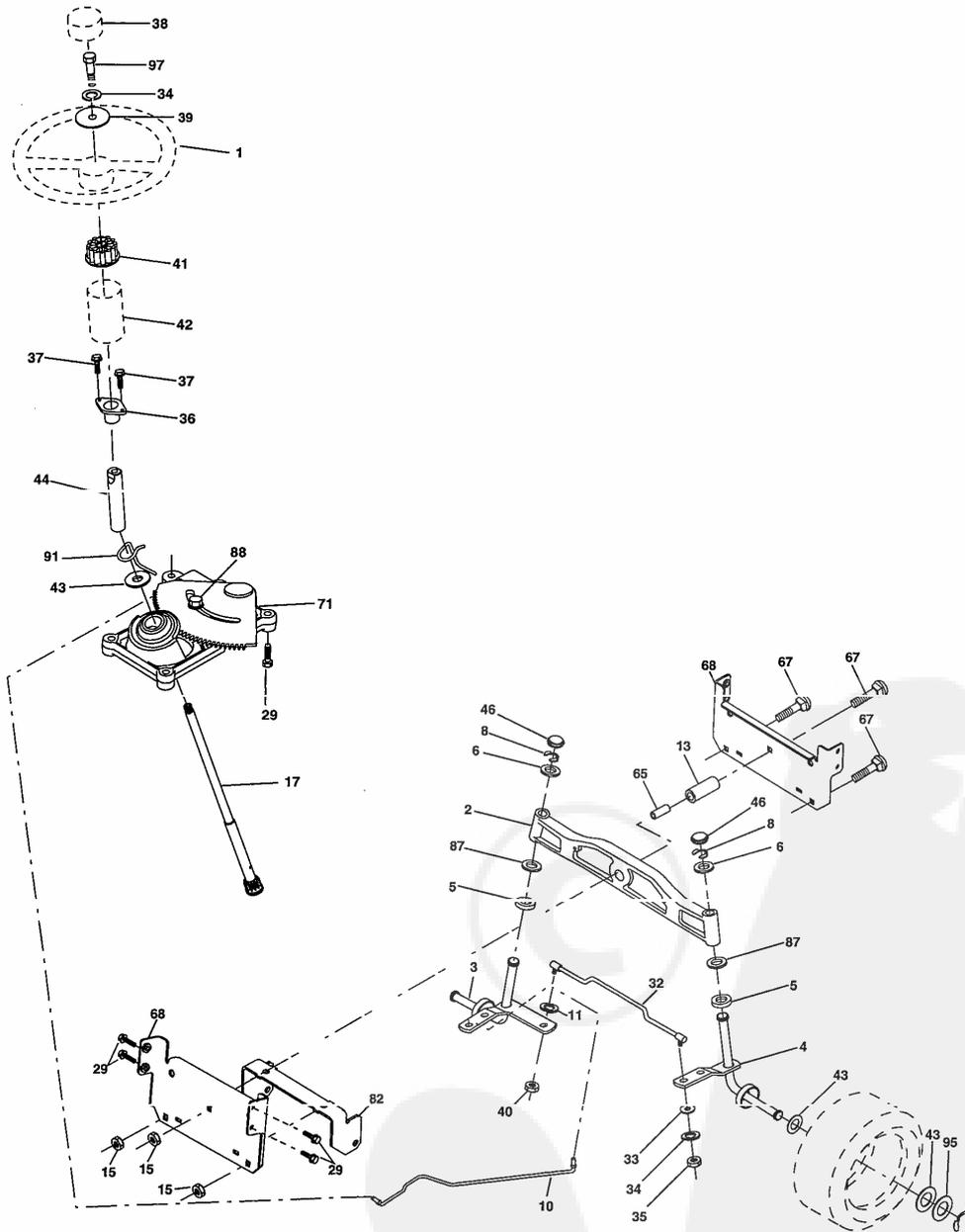
TRACTOR- -MODEL NO. LZ12592RB (96061004602), PRODUCT NO. 960 61 00-46
DRIVE

| KEY NO. | PART NO. | DESCRIPTION | KEY NO. | PART NO. | DESCRIPTION |
|---------|--------------|---|---------|--------------|-------------------------------------|
| 1 | ----- | Transaxle Peerless 206-546 Order parts from transaxle manufacturer | 79 | 532 12 50-96 | Key Woodruff |
| 2 | 532 14 66-82 | Spring Brake Return | 80 | 532 14 50-90 | Arm Shift PMST 20" Tires |
| 3 | 532 16 59-99 | Pulley Transaxle | 82 | 532 16 57-11 | Spring, Torsion |
| 4 | 812 00 00-28 | Ring Retainer #5100-62 | 83 | 819 17 12-16 | Washer 17/32 x 3/4 x 16 Ga. |
| 5 | 532 12 15-20 | Strap torque 30 degrees | 84 | 532 16 56-21 | Link Shift CRD Pmst 18" Tires |
| 6 | 817 06 05-12 | Screw 5/16-18 x 3/4 | 96 | 532 12 47-88 | Spring, Retainer 1" |
| 8 | 532 16 56-19 | Rod Shift Fender Adjust Lt | 112 | 819 09 12-10 | Washer 9/32 x 3/4 x 10 Ga. |
| 9 | 532 18 03-54 | Clutch Asm Noram | 120 | 873 90 06-00 | Nut Lock 3/8-16 |
| 10 | 876 02 04-16 | Pin, Cotter 1/8 x 1 | 150 | 532 16 58-50 | Bushing, Bellcrank Grnd Dr |
| 11 | 532 10 57-01 | Washer Plate Shf .3888 sq hole | 151 | 819 13 32-10 | Washer 13/32 x 2 x 10 Ga. |
| 13 | 874 55 04-12 | Bolt 1/4-28 unf Gr. 8 w/patch | 156 | 532 16 60-02 | Washer Srrd 5/16 ID x 1.125 |
| 14 | 810 04 04-00 | Washer, Lock Hvy Helical | 158 | 532 16 55-89 | Bracket Shift Mount |
| 15 | 874 49 05-44 | Bolt Hex FGHD 5/16-18 x Gr. 5 | 159 | 532 18 39-00 | Hub Tapered Flange Shift Lt |
| 16 | 873 80 05-00 | Nut, Lock Hex w/Ins 5/16-18 unc | 161 | 872 14 04-06 | Bolt Rdhd Sqnk 1/4-20 x 3/4 Gr 5 |
| 18 | 874 78 06-16 | Bolt Hex 3/8-16 UNC x 1 Gr. 5 | 162 | 873 68 04-00 | Nut Crownlock 1/4-20 unc |
| 19 | 873 80 06-00 | Nut, Lock Hex w/Wsh 3/8-16 unc | 163 | 874 78 04-16 | Bolt Hex Fin 1/4-20 unc x 1 Gr 5 |
| 21 | 532 10 69-33 | Knob Round 1/2-13 unc Blk | 165 | 532 16 56-23 | Bracket Pivot Lever |
| 22 | 532 17 56-07 | Rod, Brake CRD Main | 166 | 817 49 05-10 | Screw 5/16-18 x 5/8 |
| 24 | 873 35 06-00 | Nut | 167 | 532 16 55-88 | Bracket Support Shift CRD |
| 25 | 532 10 00-00 | Spring, Rod, Brake | 168 | 532 16 54-92 | Bolt Shoulder 5/16-18 x .561 |
| 26 | 819 13 13-16 | Washer 13/32 x 13/16 x 16 Ga. | 171 | 817 49 06-08 | Screw Thdrol 3/8-16 x 1/2 Ty-Tt |
| 27 | 876 02 04-12 | Pin, Cotter 1/8 x 3/4 | 172 | 532 10 50-35 | Shaft Asm Shift Front CRD FIMST |
| 28 | 532 17 57-65 | Rod, Parking Brake | 177 | 532 16 59-32 | Keeper Flat Idler 3.06" CRD |
| 29 | 532 07 16-73 | Cap, Parking Brake | 178 | 532 16 59-33 | Keeper Belt Idler 1.88" CRD |
| 30 | 532 17 49-73 | Bracket, Mfg. Transaxle | 179 | 532 12 09-58 | Washer Sintered |
| 34 | 532 17 55-78 | Shaft, Asm Pedal Foot CRD | 180 | 532 16 56-30 | Pulley Flat Composite 3.06" |
| 35 | 532 12 01-83 | Bearing, Nylon | 181 | 532 18 02-11 | Bracket Idler Ground Drive CRD |
| 36 | 819 21 16-16 | Washer 21/32 x 1 x 16 Ga. | 182 | 532 18 26-82 | Keeper Belt 2.5" Od V-Idler CRD |
| 37 | 532 12 49-63 | Pin, Roll 3/16 x 1" | 183 | 532 18 60-07 | Pulley V-Idler 2.50" Od CRD |
| 38 | 532 16 59-36 | Pulley, Flat | 184 | 817 49 06-44 | Screw Hex wsh Thdrol 3/8-16 x 2-3/4 |
| 39 | 874 76 06-44 | Bolt Fin Hex 3/8-16 unc x 2-3/4 | 187 | 817 58 05-20 | Screw 5/16-18 x 1.25 |
| 40 | 532 12 49-65 | Spacer, Split 395 x 59 Bzp | 203 | 871 17 07-80 | Bolt Hex 7/16-20 x 5 |
| 42 | 819 13 13-12 | Washer 13/32 x 13/16 x 12 Ga. | 207 | 532 16 98-45 | Washer Nylon |
| 43 | 819 11 10-12 | Washer 11/32 x 5/8 x 12 Ga. | 214 | 532 17 56-09 | Shaft Asm. Brake |
| 47 | 532 12 77-83 | Pulley, Idler, V Groove Plastic | 215 | 532 17 56-51 | Rod Brake Secondary |
| 48 | 532 15 44-07 | Bellcrank Clutch Grnd Drv | 253 | 532 17 50-28 | Bracket Cable Chassis |
| 49 | 532 12 32-05 | Retainer, Belt Style Spring | 254 | 817 00 06-16 | Screw 3/8-16 x 1 |
| 50 | 872 11 06-12 | Bolt Carr Sh 3/8-16 x 1-1/2 Gr. 5 | 255 | 532 17 56-08 | Brace Shaft Brake |
| 51 | 873 68 06-00 | Nut, Crownlock 3/8-16 unc | 258 | 532 17 80-62 | Clip Retainer |
| 53 | 532 10 57-10 | Link, Clutch 7.66 | 261 | 532 13 14-04 | Pulley Idler Flat Plated |
| 55 | 532 10 57-09 | Spring, Return, Clutch | 263 | 817 00 06-12 | Screw Hex Wsh THDR 3/8-16 x 3/4 |
| 56 | 817 06 06-20 | Screw 3/8-16 x 1-1/4 | 264 | 532 18 19-95 | Bracket Clutch |
| 57 | 532 16 56-31 | V-Belt Kev PMST CRD | 265 | 532 18 20-13 | Spacer Idler Chassis |
| 62 | 532 12 48-72 | Cover, Pedal | 266 | 532 18 20-61 | Shield Idler |
| 65 | 810 04 07-00 | Washer | 267 | 872 14 06-26 | Bolt Rd Sqk 3/8-16 x 3-1/4 |
| 66 | 532 15 47-78 | Keeper, Belt Engine F-Proof | 268 | 532 18 24-02 | Guard Muffler OHV B&S RH |
| 74 | 532 13 70-57 | Spacer Axle | 275 | 819 13 16-14 | Washer 13/32 x 1 x 14 Ga. |
| 75 | 532 12 17-49 | Washer 25/32 x 1-1/4 x 16 Ga. | | | |
| 76 | 912 00 00 01 | Ring, E | | | |
| 77 | 532 12 35-83 | Key, Square | | | |
| 78 | 532 12 17-48 | Washer 25/32 x 1-5/8 x 16 Ga. | | | |

NOTE: All component dimensions given in U.S. inches
1 inch = 25.4 mm

REPAIR PARTS

TRACTOR- -MODEL NO. LZ12592RB (96061004602), PRODUCT NO. 960 61 00-46
STEERING ASSEMBLY



steering_pl.It_60

REPAIR PARTS

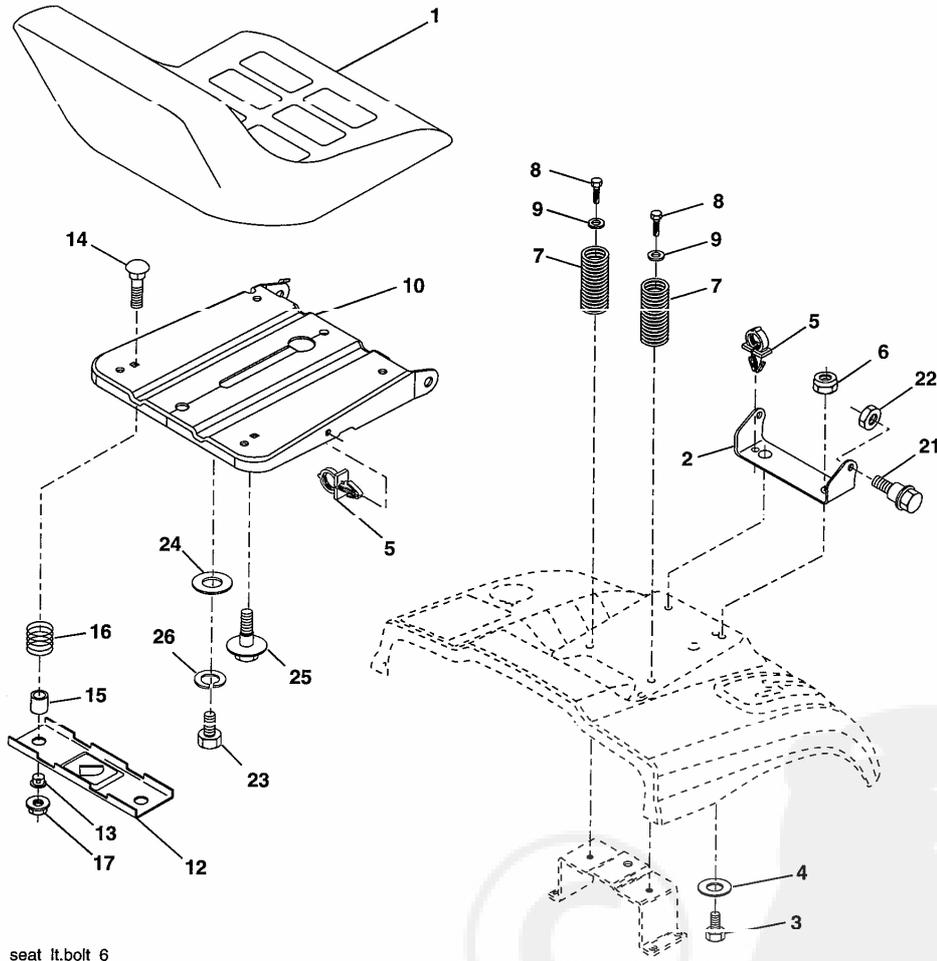
TRACTOR- -MODEL NO. LZ12592RB (96061004602), PRODUCT NO. 960 61 00-46
STEERING ASSEMBLY

| KEY NO. | PART NO. | DESCRIPTION |
|------------|--------------|----------------------------------|
| 1 | 532 18 67-80 | Steering Wheel |
| 2 | 532 18 47-06 | Cast Iron Axle Assembly |
| 3 | 532 16 98-40 | Spindle Assembly, L.H. |
| 4 | 532 16 98-39 | Spindle Assembly, R.H. |
| 5 | 532 12 49-31 | Bearing, Race, Thrust, Hardened |
| 6 | 532 12 17-48 | Washer 25/32 x 1-5/8 x 16 Ga. |
| 8 | 812 00 00-29 | Ring, Klip |
| 10 | 532 17 51-21 | Link, Drag |
| 11 | 810 04 06-00 | Washer, Lock |
| 13 | 532 13 65-18 | Spacer Brg Axle Front |
| 15 | 532 14 52-12 | Nut, Hexflange Lock |
| 17 | 532 19 07-53 | Shaft Assembly, Steering |
| 29 | 817 00 06-12 | Screw, 3/8-16 x 3/4 |
| 32 | 532 17 01-62 | Rod, Tie |
| 33 | 819 11 12-16 | Washer 11/32 x 3/4 x 16 Ga. |
| 34 | 810 04 05-00 | Washer Lock Hvy Hlcl Spr 5/16 |
| 35 | 873 54 05-00 | Nut Crownlock 5/16-24 unf |
| 36 | 532 15 50-33 | Bushing, Steering |
| 37 | 532 15 29-27 | Screw TT #10-32 x 5 x 3/8 Flange |
| 38 | 532 19 29-16 | Cap Wheel Steer |
| 39 | 819 11 38-12 | Washer 11/32 x 2-3/8 x 12 Ga. |
| 40 | 873 54 06-00 | Nut Crownlock 3/8-24 |
| 41 | 532 18 67-37 | Adaptor, Steering Wheel |
| 42 | 532 16 96-33 | Boot, Steering Dash P/L Mtl |
| 43 | 532 12 17-49 | Washer 25/32 x 1-1/4 x 16 Ga. |
| 44 | 532 19 07-52 | Extension Steering |
| 46 | 532 12 12-32 | Cap, Spindle |
| 65 | 532 16 03-67 | Spacer Brace Axle |
| 67 | 872 11 06-18 | Bolt Rdhd Sq 3/8-16 unc x 2-1/4 |
| 71 | 532 17 51-46 | Steering Asm. |
| 68 | 532 16 98-27 | Brace Axle |
| 82 | 532 16 98-35 | Bracket Susp Chassis Front |
| 87 | 532 17 39-66 | Washer Flat .781 x 1-1/2 x .14 |
| 88 | 532 17 51-18 | Bolt Shoulder 7/16-20 unc |
| 91 | 532 17 55-53 | Clip Steering |
| 95 | 532 18 89-67 | Washer Harden .793 x 1.637 x 060 |
| 97 | 874 78 05-64 | Bolt 5/16-18 unc x 4" Gr 5 |

NOTE: All component dimensions given in U.S. inches.
1 inch = 25.4 mm.

REPAIR PARTS

TRACTOR- -MODEL NO. LZ12592RB (96061004602), PRODUCT NO. 960 61 00-46
SEAT ASSEMBLY



seat_lt.bolt_6

KEY PART NO.

| KEY NO. | PART NO. | DESCRIPTION |
|---------|--------------|--------------------------------|
| 1 | 532 18 87-04 | Seat |
| 2 | 532 18 01-66 | Bracket Pnt Pivot Seat (blk) |
| 3 | 871 11 06-16 | Bolt Fin Hex 3/8-16 unc x 1 |
| 4 | 819 13 16-10 | Washer Flat 13/32 x 1 x 10 Ga. |
| 5 | 532 14 50-06 | Clip Push In l linged |
| 6 | 873 80 06-00 | Nut Lock Hex 3/8-16 unc |
| 7 | 532 12 41-81 | Spring Seat Cprsn 2 250 Blk 7i |
| 8 | 817 00 06-16 | Screw 3/8-16 x 1-1/2 |
| 9 | 819 13 16-14 | Washer 13/32 x 1 x 14 Ga. |
| 10 | 532 18 01-86 | Pan Pnt Seat (blk) |
| 12 | 532 12 12-46 | Bracket Pnt Mounting Switch |
| 13 | 532 12 12-48 | Bushing Snap Blk Nyl 50 Id |

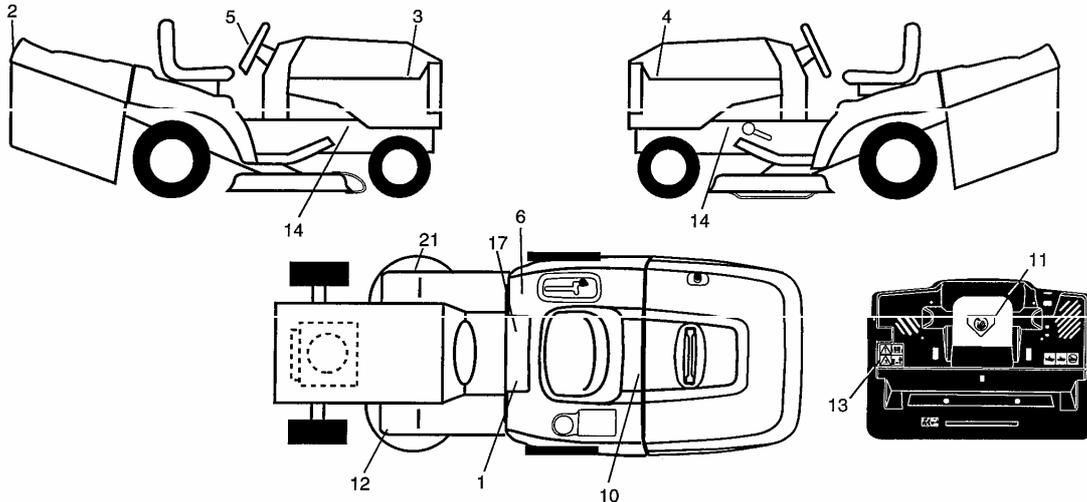
KEY PART NO.

| KEY NO. | PART NO. | DESCRIPTION |
|---------|--------------|----------------------------------|
| 14 | 872 05 04-12 | Bolt Rdhd Sht Nk 1/4-20 x 1-1/2 |
| 15 | 532 13 43-00 | Spacer Split |
| 16 | 532 12 12-50 | Spring Cprsn Plate SW 1.3 10 Ga. |
| 17 | 532 12 39-76 | Nut Lock 1/4 Lge Flg Gr. 5 Zinc |
| 21 | 532 17 18-52 | Bolt Shoulder 5/16-18 unc-2A |
| 22 | 873 80 05-00 | Nut Hex Lock w/Ins 5/16-18 |
| 23 | 871 11 08-14 | Bolt Hex Black |
| 24 | 819 17 19-12 | Washer 17/32 x 1-3/16 x 12 Ga. |
| 25 | 532 12 70-18 | Bolt Shoulder 5/16-18 x 62 |
| 26 | 810 04 08-00 | Washer Lock Hvy Hlcl Spr 1/2 |

NOTE: All component dimensions given in U.S. inches.
1 inch = 25.4 mm

REPAIR PARTS

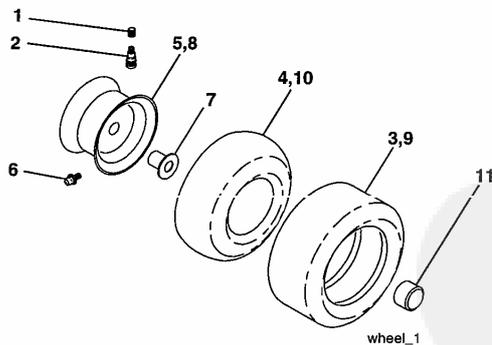
TRACTOR- -MODEL NO. LZ12592RB (96061004602), PRODUCT NO. 960 61 00-46
DECALS



| KEY NO. | PART NO. | DESCRIPTION |
|---------|--------------|-------------------------------|
| 1 | 532 14 54-98 | Decal Read Owner's Manual Sym |
| 2 | 532 19 56-99 | Decal Fender |
| 3 | 532 19 57-00 | Decal Hood RH |
| 4 | 532 19 57-01 | Decal Hood LH |
| 5 | 532 19 56-98 | Decal Strg. Wheel |
| 6 | 532 18 04-32 | Decal Fender 100 OB/CE |
| 10 | 532 14 50-05 | Decal Bat Dan/Poi P/L Sym Wpn |
| 11 | 532 18 21-66 | Decal Mower Cut Finger Symbol |
| 12 | 532 15 97-37 | Decal Brake/Clutch Symbol Lt |
| 13 | 532 18 04-35 | Decal Warn Back Plate CRD |

| KEY NO. | PART NO. | DESCRIPTION |
|---------|--------------|----------------------------|
| 14 | 532 15 97-36 | Decal Chassis Hot Muffler |
| 17 | 532 14 08-37 | Decal Saddle Brake Parking |
| 21 | 532 16 62-86 | Decal Hex Belt Sch 92 CRD |
| -- | 532 18 10-90 | Pad Footrest RH |
| -- | 532 13 83-11 | Decal Lift Handle |
| -- | 532 18 26-21 | Decal Bagger Frame |
| -- | 532 18 10-91 | Pad Footrest LH |
| -- | 532 19 68-48 | Manual Operator's (Euro) |
| -- | 532 19 68-49 | Manual Operator's (Scan) |
| -- | 532 19 92-91 | Manual Parts |

WHEELS & TIRES

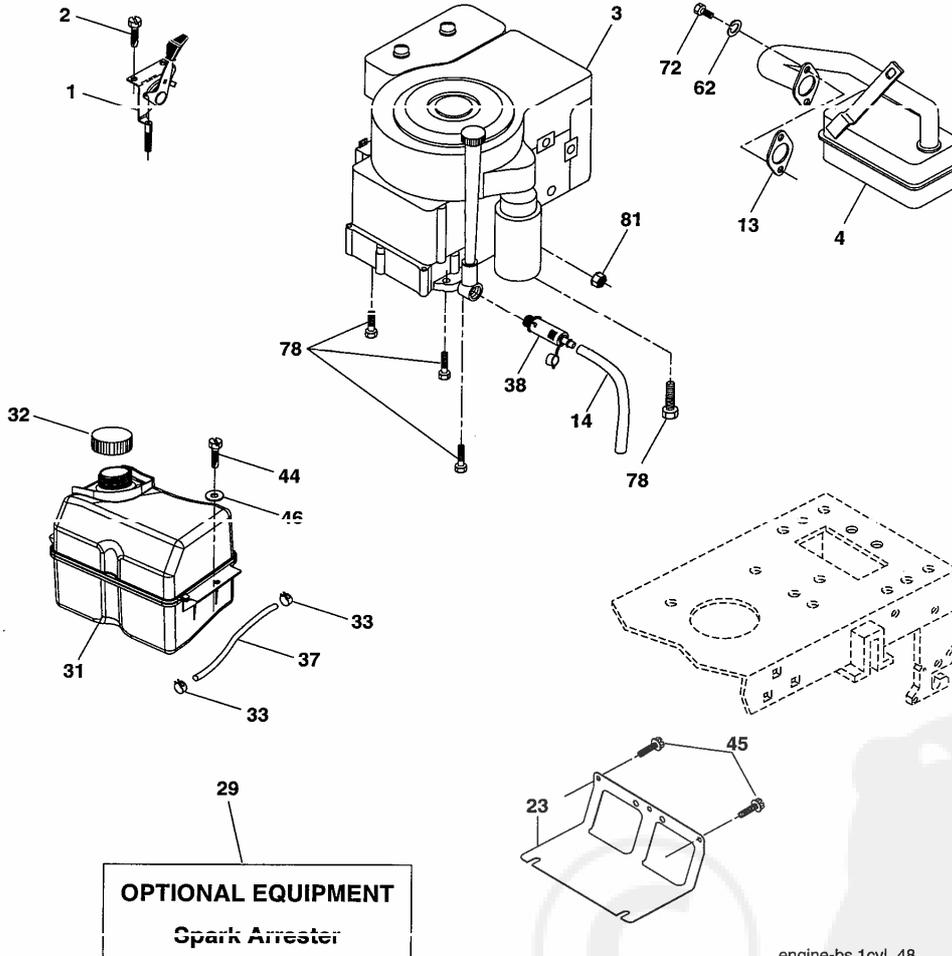


| KEY NO. | PART NO. | DESCRIPTION |
|---------|--------------|---------------------------------|
| 1 | 532 05 91-92 | Cap Valve Tire |
| 2 | 532 06 51-39 | Stem Valve |
| 3 | 532 12 41-57 | Tire F Ts 15 x 6 0 - 6 Service |
| 4 | 532 05 99-04 | Tube Inner Front #35060 |
| 5 | 532 18 33-37 | Rim Asm 6" front Service |
| 6 | 532 12 49-57 | Fitting Grease |
| 7 | 532 12 49-59 | Bearing Flange |
| 8 | 532 18 33-38 | Rim Asm 8" rear Service |
| 9 | 532 12 33-63 | Tire R Ts 16 x 9.5-8 C. Service |
| 10 | 532 12 49-26 | Tube Rear 9 5 x 8 Service |
| 11 | 532 17 50-39 | Cap Axle Blk 1 50 x 1 00 |
| -- | 532 14 43-34 | Sealant, Tire (10 oz. tube) |

NOTE: All component dimensions given in U.S. inches
1 inch = 25.4 mm

REPAIR PARTS

TRACTOR- -MODEL NO. LZ12592RB (96061004602), PRODUCT NO. 960 61 00-46
ENGINE



engine-bs.1cyl_48

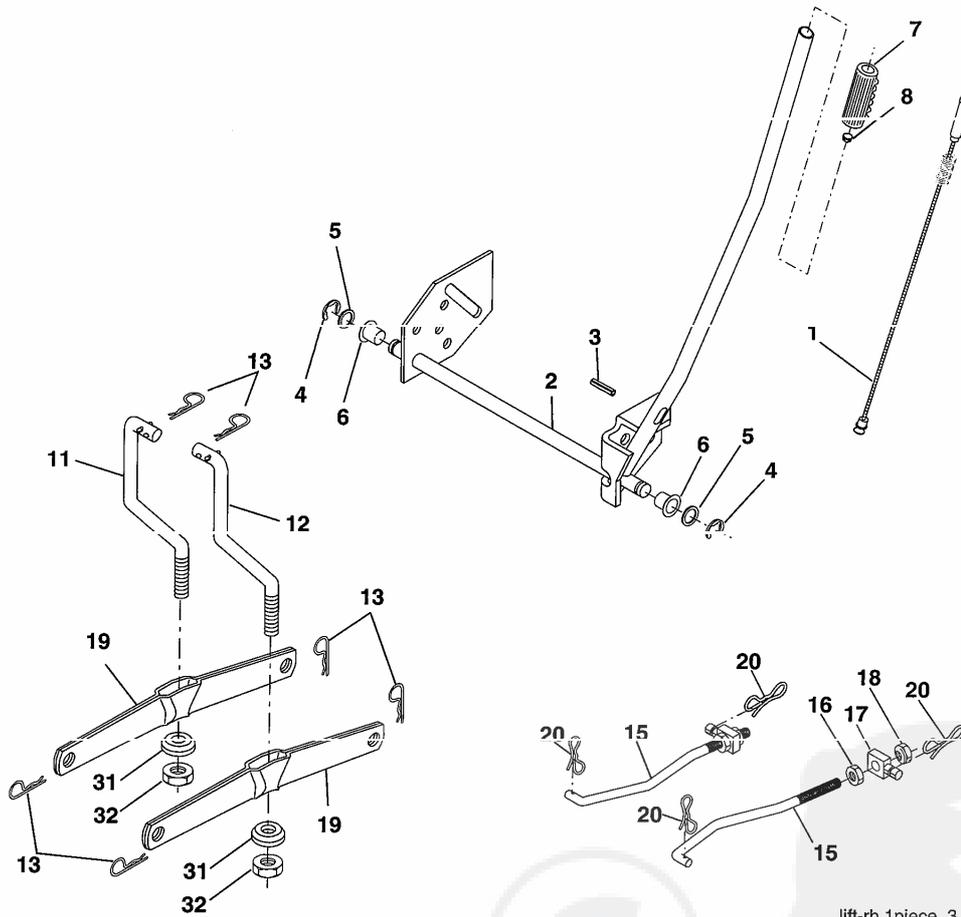
| KEY NO. | PART NO. | DESCRIPTION |
|---------|--------------|---|
| 1 | 532 17 08-64 | Control Throttle /Choke |
| 2 | 817 72 04-08 | Screw Hex Thd Cut 1/4-20 x 5/8 T |
| 3 | ----- | Engine B&S Model 219707 (Order Parts from Engine Manufacturer) |
| 4 | 532 17 97-58 | Muffler Exhaust |
| 13 | 532 16 52-91 | Gasket |
| 14 | 532 14 84-56 | Tube Drain Oil Easy |
| 23 | 532 16 98-37 | Shield Browning/Debris Guard |
| 29 | 532 13 71-80 | Arrestor Spark |
| 31 | 532 18 55-34 | Tank Fuel |
| 32 | 532 14 05-27 | Cap Asm Fule Top Vent N/Lany |
| 33 | 532 12 34-87 | Clamp Hose Blk |

| KEY NO. | PART NO. | DESCRIPTION |
|---------|--------------|----------------------------------|
| 37 | 532 13 70-40 | Line Fuel 20" |
| 38 | 532 18 16-54 | Plug Drain Oil Easy |
| 44 | 817 67 04-12 | Screw Hexwsh Thdrol 3/8-16 x 3/4 |
| 45 | 817 00 00-12 | Screw 3/8-16 x 3/4 |
| 46 | 819 09 14-16 | Washer 9/32 x 7/8 x 16 Ga. |
| 62 | 810 04 05-00 | Washer Lock Hvy HLCL Spr 5/16 |
| 72 | 871 07 05-12 | Screw Hex HD Cap 5/16-18 x 3/4 |
| 78 | 817 06 06-20 | Screw 3/8-16 x 1-1/4 |
| 81 | 873 51 04-00 | Nut Keps Hex 1/4-20 unc |

NOTE: All component dimensions given in U.S. inches
1 inch = 25.4 mm

REPAIR PARTS

TRACTOR- -MODEL NO. LZ12592RB (96061004602), PRODUCT NO. 960 61 00-46
MOWER LIFT



lift-rh.1piece_3

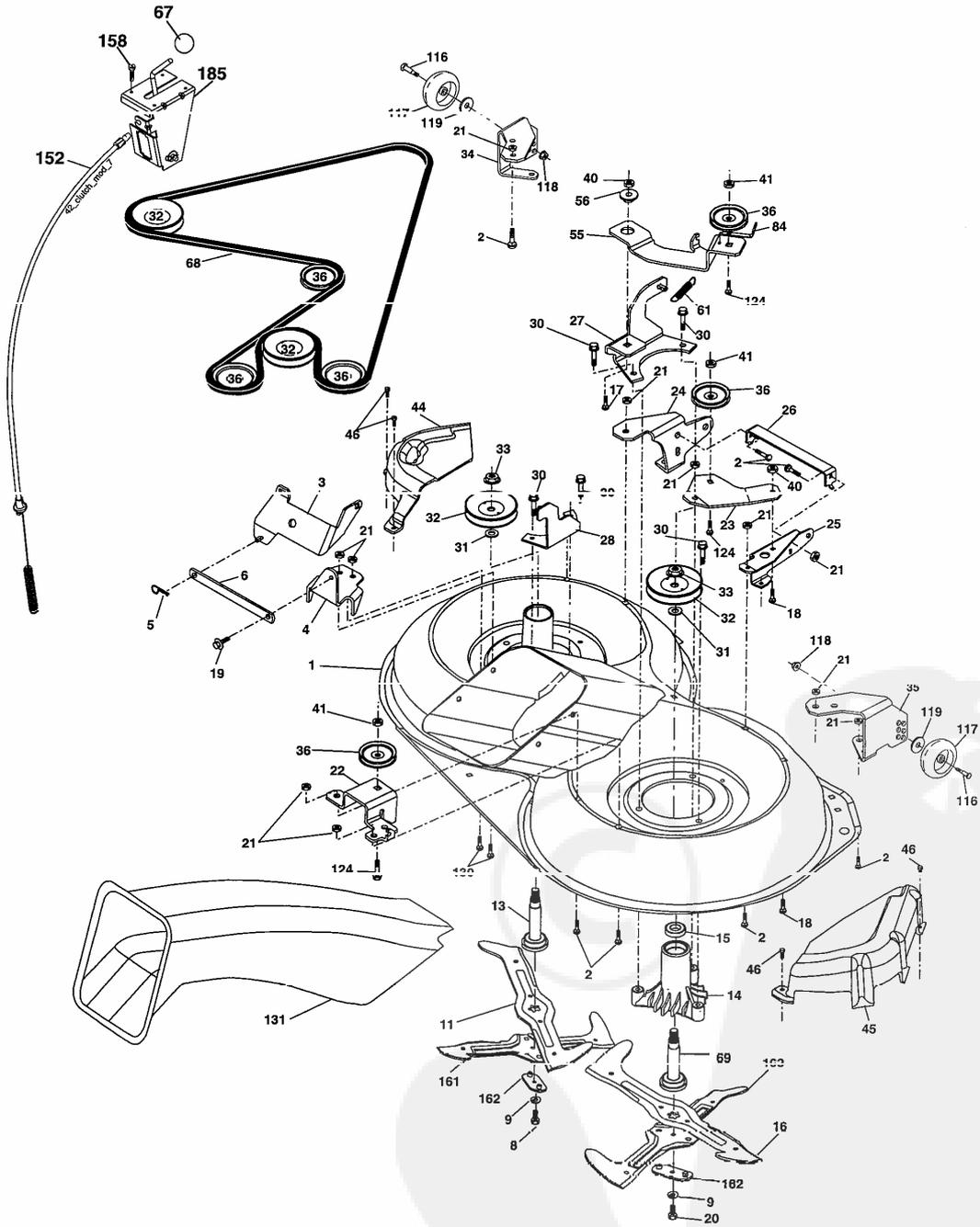
| KEY NO. | PART NO. | DESCRIPTION |
|---------|--------------|------------------------------------|
| 1 | 532 19 84-17 | Washer Asm Inner Spring W/ Plunger |
| 2 | 532 19 80-70 | Shaft Asm. Lift |
| 3 | 532 18 88-22 | Pin Groove |
| 4 | 812 00 00-02 | E Ring #5133-62 |
| 5 | 819 21 16-21 | Washer 21/32 x 1 x 21 Ga. |
| 6 | 532 12 01-83 | Bearing Nylon |
| 7 | 532 10 94-13 | Grip Handle Bicycle |
| 8 | 532 12 45-26 | Button Plunger Black |
| 11 | 532 16 58-29 | Link Asm Lift L.H. |
| 12 | 532 16 58-31 | Link Asm Lift R.H. |

| KEY NO. | PART NO. | DESCRIPTION |
|---------|--------------|------------------------------|
| 13 | 532 12 46-70 | Retainer Spring |
| 15 | 532 17 32-88 | Link Front |
| 16 | 873 35 08-00 | Nut Jam Hex 1/2-13 unc |
| 17 | 532 17 56-89 | Trunnion Blk Zinc |
| 18 | 873 80 08-00 | Nut Lock w/Wsh 1/2-13 unc |
| 19 | 532 13 98-68 | Arm Suspension Mower |
| 20 | 532 19 42-09 | Pin Cotter 7/16 Bow Tie Lock |
| 31 | 532 16 98-65 | Bearing, Pvt. Lift. |
| 32 | 873 54 06-00 | Nut Crownlock 3/8-24 |

NOTE: All component dimensions given in U.S. inches
1 inch = 25.4 mm

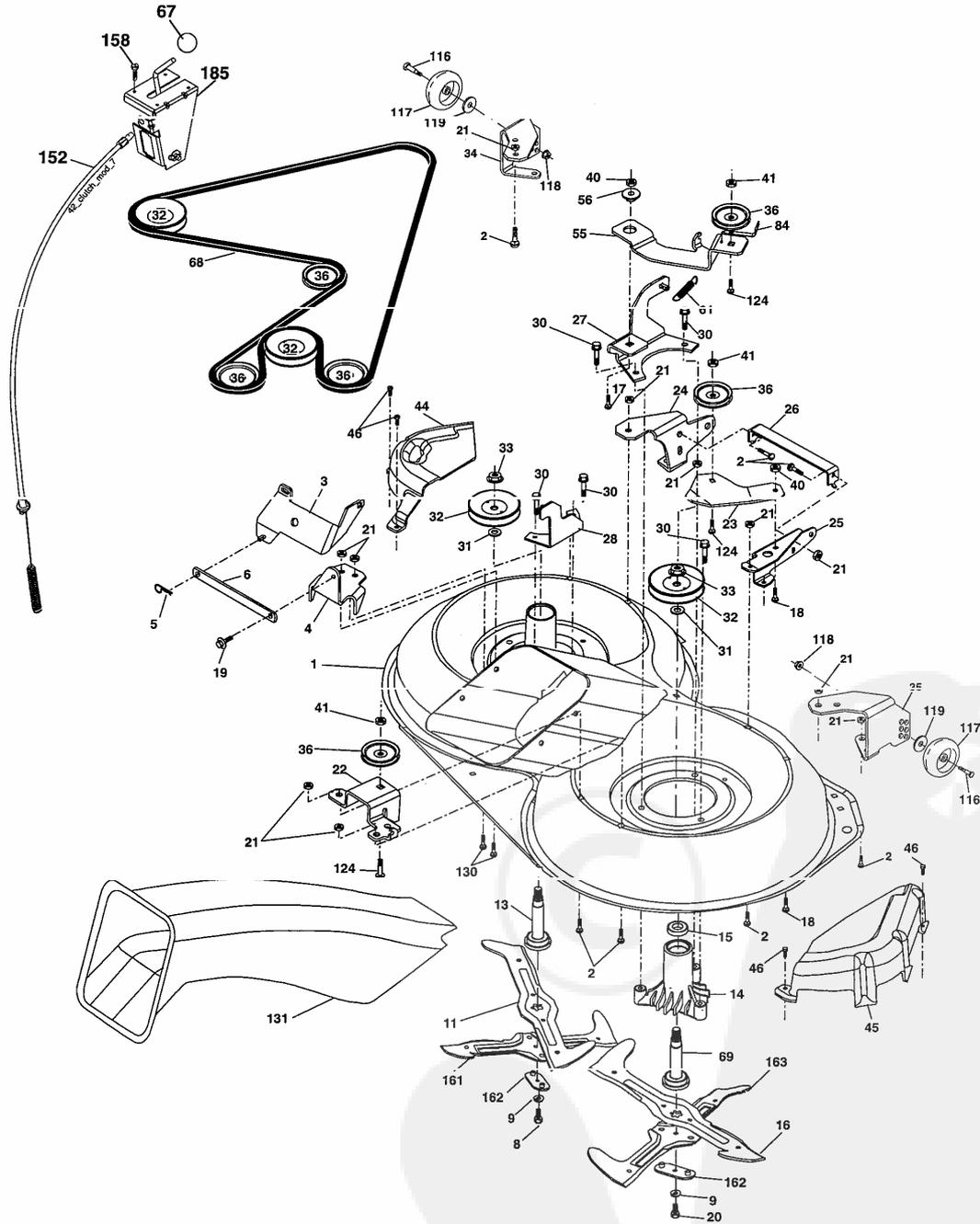
REPAIR PARTS

TRACTOR- -MODEL NO. LZ12592RB (96061004602), PRODUCT NO. 960 61 00-46
MOWER



REPAIR PARTS

TRACTOR- -MODEL NO. LZ12592RB (96061004602), PRODUCT NO. 960 61 00-46
MOWER



16

36(92cm)_deck elect.(CRD)_1
36 GW med/wide/std

REPAIR PARTS

TRACTOR- -MODEL NO. LZ12592RB (96061004602), PRODUCT NO. 960 61 00-46
MOWER

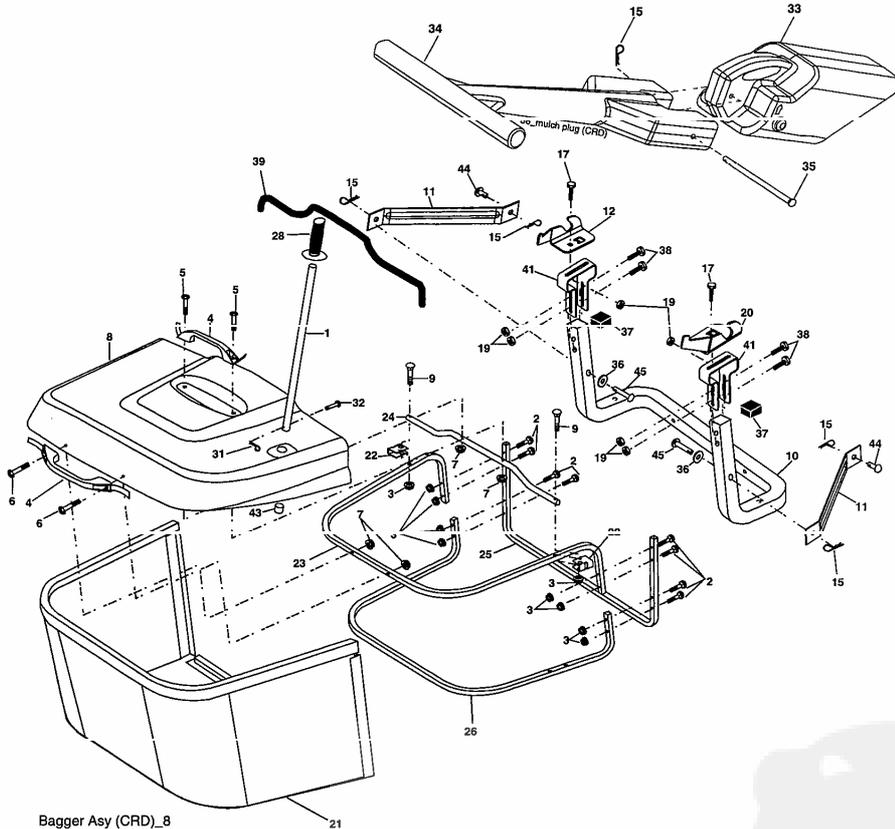
| KEY NO. | PART NO. | DESCRIPTION |
|---------|--------------|------------------------------------|
| 1 | 532 16 55-52 | Housing Asm. Mower |
| 2 | 872 14 05-06 | Bolt Rdhd Sqnk 5/16-18 unc x 3/4 |
| 3 | 532 16 55-69 | Bracket Asm. S-Bar Chass |
| 4 | 532 16 55-58 | Bracket Bar Sway Deck |
| 5 | 532 12 46-70 | Retainer Spring |
| 6 | 532 16 55-57 | Bar Sway |
| 8 | 532 18 17 12 | Bolt 3/8 24 x 1.25 Gr. 8 Patchrod |
| 9 | 810 03 06-00 | Washer Lock Hvy 3/8 Unplated |
| 11 | 532 18 63-85 | Blade 3-1 Lh |
| 13 | 532 13 76-45 | Shaft Asm. W/Lower Bearing |
| 14 | 532 12 87-74 | Housing Mandrel Vented (Machd) |
| 15 | 532 11 04-85 | Bearing Ball Mandrel |
| 16 | 532 18 63-86 | Blade 3-1 Rh |
| 17 | 872 14 06-10 | Bolt Carriage 3/8-16 x 1-1/4 |
| 18 | 872 11 06-06 | Bolt Rdhd Sqnk 3/8-16 x 3/4 |
| 19 | 532 13 28-27 | Bolt Shoulder 5/16-18 Thd Form |
| 20 | 532 18 17-13 | Bolt 3/8-24 x 1.25 Gr. 8 Patch Rod |
| 21 | 873 68 05-00 | Nut Crown Lock 5/16-18 |
| 22 | 532 16 52-43 | Bracket Idler Sprt RR |
| 23 | 532 16 54-46 | Bracket Idler Sprt RF |
| 24 | 532 16 52-42 | Bracket Suspension LF |
| 25 | 532 16 52-44 | Bracket Suspension RF |
| 26 | 532 16 52-37 | Brace Support Susp Frt CRD |
| 27 | 532 16 55-68 | Bracket Asm. Susp RR |
| 28 | 532 16 55-67 | Bracket Asm. Susp LR |
| 30 | 532 17 39-84 | Screw Thd Rolling Washer Head |
| 31 | 532 18 76-90 | Washer Spacer |
| 32 | 532 15 35-31 | Mandrel Pulleys 36 & 46 |
| 33 | 532 17 83-42 | Nut Flg Top Lock |
| 34 | 532 16 52-39 | Bracket Gauge Wheel Lf |
| 35 | 532 16 52-38 | Bracket Gauge Wheel Rf |
| 36 | 532 14 67-63 | Pulley Idler V-Groove Dim 4.25 |
| 40 | 873 68 06-00 | Nut Crownlock 3/8-16 unc |
| 41 | 873 90 06-00 | Nut Lock FLg 3/8-16 unc |
| 44 | 532 17 55-38 | Cover Mandrel Lh |

| KEY NO. | PART NO. | DESCRIPTION |
|---------|--------------|---|
| 45 | 532 17 55-39 | Cover Mandrel Rh |
| 46 | 532 13 77-29 | Screw Thd Roll 1/4-20 x 5/8 |
| 55 | 532 16 54-45 | Arm Idler |
| 56 | 532 16 57-23 | Spacer Retainer PM Mower |
| 61 | 532 16 59-45 | Spring Tension Belt |
| 67 | 532 10 69-32 | Knob Rd 3/8-16 Plstc Thds Blk |
| 68 | 532 18 02-17 | Hex-Delt 32 Mower |
| 69 | 532 16 54-82 | Shaft Asm W/Lwr Brg Rh Thd CRD |
| 84 | 532 15 60-85 | Keeper Belt Idler |
| 116 | 532 18 42-19 | Bolt Shoulder |
| 117 | 532 13 39-57 | Wheel Gage Donut Wide |
| 118 | 873 93 06-00 | Nut Centerlock 3/8-16 unc |
| 119 | 819 12 14-14 | Washer 3/8 x 7/8 x 14 Ga. |
| 124 | 872 11 06-12 | Bolt Carr Sh 3/8-16 x 1-1/2 Gr. 5 |
| 130 | 872 11 05-06 | Bolt Rdhdsqnk 5/16-18 unc x 3/4 |
| 131 | 532 16 56-61 | Chute Bagger CHD |
| 152 | 532 17 60-74 | Cable Clutch CRD Service |
| 158 | 817 72 04-08 | Screw Hex Thdcut 1/4-20 x 5/8 |
| 161 | 532 18 63-87 | Blade Cross Lh 92 |
| 162 | 532 18 08-78 | Adpater Blade Cross |
| 163 | 532 18 63-88 | Blade Cross Rh 92 |
| 185 | 532 18 82-34 | Head Asm Cable Clutch |
| -- | 532 18 18-57 | Mandrel Asm Service |
| -- | 532 18 18-58 | Mandrel Asm CRD Lh Threads SVC |
| -- | 532 18 85-23 | Replacement Mower Complete (Std. deck order separately gauge wheel components key nos. 116-119) |

NOTE: All component dimensions given in U.S. inches
1 inch = 25.4 mm

REPAIR PARTS

TRACTOR- -MODEL NO. LZ12592RB (96061004602), PRODUCT NO. 960 61 00-46
BAGGER



| KEY NO. | PART NO. | DESCRIPTION |
|---------|--------------|---|
| 1 | 532 16 52-49 | Tube Handle Bagger CRD |
| 2 | 872 14 04-16 | Bolt Carriage 1/4-20 x 2.0 Gr. 5 |
| 3 | 532 12 33-70 | Nut Lock 1/4 Lge Fig Cr. 5 Zinc |
| 4 | 532 16 99-16 | Handle Bagger w/Lvrs Gr. 5 Zinc |
| 5 | 874 98 10-24 | Screw Pan Head #10-24 x 1.50 |
| 6 | 874 98 10-32 | Screw Pan Hd |
| 7 | 873 40 10-00 | Nut Wiz Lock Hex Serr/Hd #10-24 |
| 8 | 532 18 13-54 | Cover Bagger Steel |
| 9 | 872 14 04-18 | Bolt Carriage 1/4-20 x 2.25d x Gr.5 |
| 10 | 532 18 12-82 | Tube Support Bagger CRD |
| 11 | 532 16 57-19 | Bracket Support Upper Bag CRD |
| 12 | 532 18 88-48 | Bracket Pivot LH |
| 13 | 872 11 06-06 | Bolt Rdhd Sht Sqnk 3/8-16 x 3/4 |
| 14 | 874 52 06-36 | Bolt Hex 3/8-16 X 2-1/4 Gr. 5 |
| 15 | 532 12 46-70 | Retainer Spring |
| 16 | 873 90 06-00 | Nut Lock Fig 3/8-16 unc |
| 17 | 872 14 05-06 | Bolt Rdhd Sht Sqnk 5/16-18 unc x 3/4 |
| 19 | 873 90 05-00 | Nut Lock Hex Flange 5/16-18 |
| 20 | 532 18 88-47 | Bracket Pivot RH |
| 21 | 532 18 08-80 | Bag Asm CRD |

| KEY NO. | PART NO. | DESCRIPTION |
|---------|--------------|-------------------------------|
| 22 | 532 16 57-81 | Bracket Side Bagger CRD |
| 23 | 532 16 57-82 | Tube Upper Bagger CRD |
| 24 | 532 16 57 93 | Tube Pivot Bagger CRD |
| 25 | 532 18 01-24 | Tube Front Bagger CRD |
| 26 | 532 16 57-85 | Tube Lower Bagger CRD |
| 28 | 532 16 57-87 | Grip Handle Black |
| 31 | 532 16 94-84 | Retainer Clip |
| 32 | 532 12 68-75 | Rivet Rd Hd Drilled 3/8 Dia |
| 33 | 532 16 55-71 | Plug Mulcher |
| 34 | 532 16 55-70 | Handle Mulcher |
| 35 | 532 16 55-72 | Pin Mulcher |
| 36 | 819 13 20-12 | Washer 13/32 x 1-1/4 x 12 Ga. |
| 37 | 532 17 54-01 | Flng Support Bagger CRD |
| 38 | 872 01 05-20 | Bolt 5/16-18 x 2-1/2 |
| 39 | 532 18 09-85 | Seal Trim 37" |
| 41 | 532 16 96-83 | Bracket Vert Adj Bagger CRD |
| 43 | 532 17 40-83 | Plug Tubing End |
| 44 | 532 19 33-12 | Pin Clevis 3/8 x 11/16 |
| 45 | 532 19 33-13 | Pin Clevis 3/8 x 2.00 |

NOTE: All component dimensions given in U.S. inches
1 inch = 25.4 mm



TECUMSEH

SERVICE POLICY WARRANTY



TECUMSEH

Issued January 1980
Revised January 1991

LIMITED WARRANTIES FOR NEW PEERLESS GEAR POWER TRAIN COMPONENTS

A. Products Warranted

Peerless Gear and Machine Division of Tecumseh Products Company ("Tecumseh"), subject to the limitations contained below, will, at its option, repair or replace, without charge for parts or labor only, any part of a new Power Train Component (which as used herein means and includes the transaxle, gear box, transmission, differential and right angle drives, and any part of the Power Train Component), EXCEPT any new Power Train Component incorporated in equipment used for commercial or rental purposes, which is found upon examination by any Tecumseh Authorized Service Outlet or by Tecumseh's factory in Grafton, Wisconsin, to be DEFECTIVE IN MATERIAL AND/OR WORKMANSHIP if received by Tecumseh or a Tecumseh Authorized Service Outlet for such examination within TWO YEARS from the date of sale to the original consumer purchaser of Peerless Series 820, 900, 910, 915, 920, 930 transaxles and Series 1100 angle drive and ONE YEAR for all other Peerless products. New Power Train Components incorporated in equipment used for commercial purposes are warranted in the same manner and to the same extent EXCEPT such Power Train Components are warranted for NINETY (90) DAYS ONLY, and must be received by Tecumseh or by a Tecumseh Authorized Service Outlet for such examination within 90 days from the date of sale to the original purchaser. New Power Train Components Incorporated in equipment used for rental purposes are warranted in the same manner and to the same extent EXCEPT such Power Train Components are warranted for THIRTY (30) DAYS ONLY, and must be received by Tecumseh or a Tecumseh Authorized Service Outlet within 30 days from the date of sale to the original purchaser.

B. Products And Items Not Warranted

1. Alterations or Modifications of Power Train Components.
2. Accidents, Normal Maintenance, Failure to follow the Original Equipment Manufacturer's Manual.

This warranty covers only parts of new Power Train Components which are found upon examination to be defective in material or workmanship as delivered to the original purchaser. This warranty does not cover defects caused by depreciation or damage caused by normal wear, accidents, improper maintenance, improper use or abuse of the product, failure to follow the instructions contained in an Instruction Manual for the operation of the Power Train Component and parts. The cost of normal maintenance and replacement of service items which are not defective shall be paid for by the original purchaser.

C. Securing Warranty Service

Warranty service can be arranged for by contacting either a Tecumseh Authorized Service Outlet (any Tecumseh Registered Service Dealer, Tecumseh Authorized Service Distributor, or Tecumseh Central Warehouse Distributor) or by contacting Tecumseh, c/o Service Manager, Engine and Transmission Group Service Division, 900 North Street, Grafton, Wisconsin 53024. Warranty service can only be performed by a Tecumseh Authorized Service Outlet or by Tecumseh at its factory in Grafton, Wisconsin. At the time of requesting warranty service, evidence must be presented of the date of sale to the original purchaser. The purchaser shall pay any charges for making service calls and/or for transporting the product to and from the place where the inspection and/or warranty work is performed. The purchaser shall be responsible for any damage or loss incurred in connection with the transportation of Power Train Components and/or part(s) of the Power Train Components submitted for inspection and/or warranty work.

D. Limitation of Damages and Implied Warranties

The foregoing EXPRESSED WARRANTY IS IN LIEU OF ALL OTHER EXPRESS WARRANTIES. Neither Tecumseh nor any of its affiliates makes any warranties, representations or promises, written or oral, as to the quality of the Power Train Component or any of its parts, other than as set forth herein.

ANY IMPLIED WARRANTY OF MERCHANTABILITY OR FITNESS FOR A PARTICULAR PURPOSE, TO THE EXTENT THAT EITHER MAY APPLY TO ANY PART(S) OF POWER TRAIN COMPONENTS, SHALL BE LIMITED IN DURATION TO THE PERIODS OF THE EXPRESSED WARRANTIES DEFINED IN PARAGRAPH A HEREOF. IN NO EVENT WILL TECUMSEH BE LIABLE FOR ANY INCIDENTAL, CONSEQUENTIAL OR SPECIAL DAMAGES AND/OR EXPENSES. Some states do not allow limitations on how long an implied warranty lasts or the exclusion or limitation of incidental or consequential damages, so the above limitation(s) or exclusion(s) may not apply to you. This warranty gives you specific legal rights and you may also have other legal rights which vary from state to state.

E. No Dealer Warranty

Tecumseh neither assumes nor authorizes any other person, natural or corporate, to assume for Tecumseh any other obligations or liabilities in connection with or with respect to any part(s) of a Power Train Component. The seller or dealer of part(s) of a Power Train Component has no authority, whatsoever, to make any representations or promises on behalf of Tecumseh or to modify the terms or limitations of Tecumseh's warranty in any way.

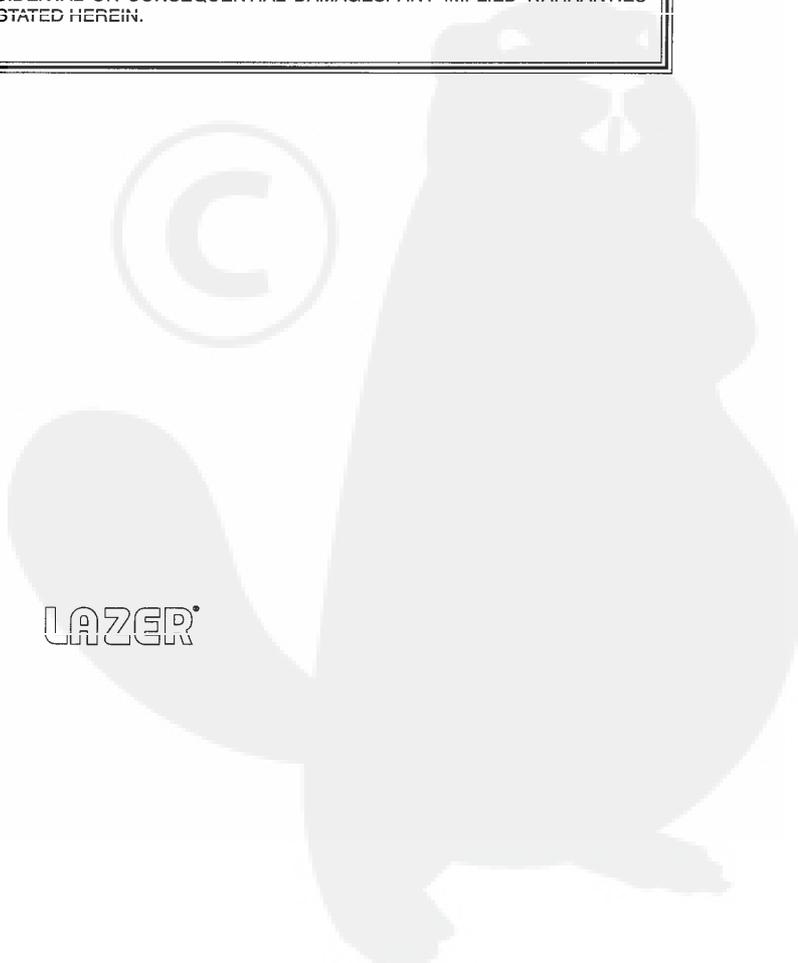
LIMITED WARRANTY

The Manufacturer warrants to the original consumer purchaser that this product as manufactured is free from defects in materials and workmanship. For a period of one (1) year from date of purchase by the original consumer purchaser, we will repair or replace, at our option, without charge for parts or labor incurred in replacing parts, any part which we find to be defective due to materials or workmanship. This Warranty is subject to the following limitations and exclusions.

1. This warranty does not apply to the engine. Please contact your nearest dealer where they will send the machine to the engine manufacturer.
2. Transportation charges for the movement of any power equipment unit or attachment are the responsibility of the purchaser. Transportation charges for any parts submitted for replacement under this warranty must be paid by the purchaser unless such return is requested by your dealer.
3. Battery Warranty: On products equipped with a Battery, we will replace, without charge to you, any battery which we find to be defective in manufacture, during the first ninety (90) days of ownership. After ninety (90) days, we will exchange the Battery, charging you 1/12 of the price of a new Battery for each full month from the date of the original sale. Battery must be maintained in accordance with the instructions furnished.
4. The Warranty period for any products used for rental or commercial purposes is limited to 90 days from the date of original purchase.
5. This Warranty applies only to products which have been properly assembled, adjusted, operated, and maintained in accordance with the instructions furnished. This Warranty does not apply to any product which has been subjected to alteration, misuse, abuse, improper assembly or installation, delivery damage, or to normal wear of the product.
6. Exclusions: Excluded from this Warranty are belts, blades, blade adapters, normal wear, normal adjustments, standard hardware and normal maintenance.
7. In case of any problem within the boundaries of this warranty, contact the nearest department store, indicate the model number, serial number and the date of purchase of your machine. This warranty does not apply to accidental damages. All implicit warranties are limited to the same time frames. Or contact:

E.M. Services
54 Rue Lambrechts
92400 Courbevoie
France
Telephone: (1) 46678078
Fax: (1) 46678095

THIS WARRANTY DOES NOT APPLY TO INCIDENTAL OR CONSEQUENTIAL DAMAGES. ANY IMPLIED WARRANTIES ARE LIMITED TO THE SAME TIME PERIODS STATED HEREIN.



LAZER®