

OWNER'S MANUAL

MODEL NO. CE36A - 92
36 INCH MOWER
GRASS CATCHER

- Assembly
 - Operation
 - Customer Responsibilities
 - Repair Parts



American Yard Products, Inc.

S.C. HWY. 33, AND OLD CAMERON ROAD
P.O. BOX 1687
ORANGEBURG, SC 29116

PREPARATION



CAUTION: BEFORE PROCEEDING WITH PREPARATION OF TRACTOR:

- Depress clutch/brake pedal fully and set parking brake.
- Place gearshift/motion control lever in "NEUTRAL" position.
- Place attachment clutch in "DISENGAGED" position.
- Turn ignition key "OFF" and remove key.
- Make sure the blade and all moving parts have completely stopped.
- Disconnect spark plug wire from spark plug and place wire where it cannot come in contact with plug.

NOTE

ON SOME MODEL TRACTORS, MINOR MODIFICATIONS MAY BE NECESSARY TO MOUNT YOUR NEW GRASS CATCHER. NOT ALL MODEL TRACTORS WILL NEED THE FOLLOWING MODIFICATIONS. CHECK CAREFULLY DETERMINE IF MODIFICATION IS REQUIRED. ONCE YOUR MODEL TRACTOR CONFORMS TO THIS SECTION, PROCEED TO ASSEMBLY.

To Prepare your Grass Catcher you will need:

- (1) Drill Motor
- (1) 11/32" Drill Bit

DRILL HOLE IN MOWER DECK HOUSING (See Fig. 19)

On some model tractors, it may be necessary to drill holes in the mower deck housing. If your mower deck does not have the holes. Drill two 11/32" holes as shown.

NOTE: To assist in proper hole location, there is a template in the back of this manual that may be used.

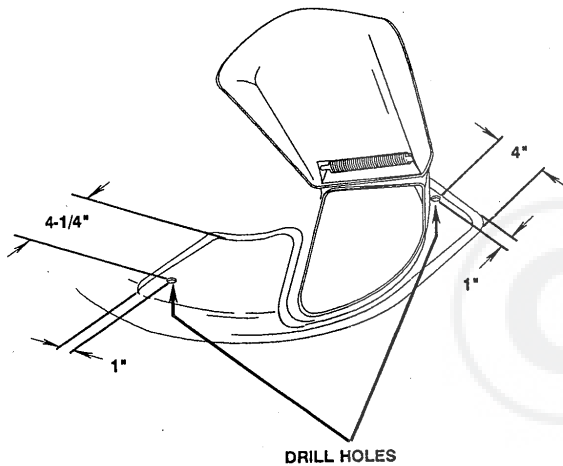


Fig. 19

REPAIR PARTS

GRASS CATCHER-- MODEL NUMBER CE36A

KEY PART NO.	DESCRIPTION	KEY PART NO.	DESCRIPTION
1	7192J Tie, Cable	23	132983 Spring, Cover R.H. (gray)
2	69180 Locknut #10-24	24	127720X Post, Support
3	127533 Screen, Cover	25	63124 Locknut 5/16 x 18
4	126816 Cover	26	4939M Spring, Retainer
5	128598 Chute, Upper	27	74760512 Bolt, Hex 5/16-18 x 3/4
6	18021008 Screw, Special	28	130889 Bracket, Mounting
7	130933 Indicator, Bagger Full	29	17490508 Screw, Thread Rolling 5/16-18 x 1/2
8	87175 Screw, #10-24 x 1-1/8	30	131137 Pin, Support Post
9	19061216 Washer 3/16 x 3/4 x 16 Ga.	31	134496 Cap, Tubing End
10	7206J Spacer, Split	32	126919X Bagger, Frame
11	60867 Nut, Acorn #10-24	33	128600 Pin, Hinge
12	10071000 Washer, lock	34	127534 Gasket, Cover
13	109808X Latch, Chute	35	129585 Container, Top
14	2029J Nut, Weld	36	129586 Container, Bottom
15	74930516 Bolt, Hex 5/16-18 x 1	37	132256 Seal, Cover
17	130758 Latch Assy., Bagger → 24" → 16 rollers, 1001 1/2" <i>Handley kit</i>	38	131859 Latch Handle, Cover
18	131270 Chute, Lower	39	135495 Strip, Seal
19	133841 Nut, Acorn 5/16-18	40	71141008 Screw #10-24 x 1/2
20	71161010 Screw #10-24 x 5/8	41	73800600 Locknut 3/8-16
21	132796 Spring, Cover L.H. (black)	42	123659X U-Bolt
22	133235 Spacer, Cover	43	123635X Weight, Wheel
			104419X Bag, 3.0 mil. 30 Gallon Trash (not included with bagger)
			132409 Owner's Manual (English)
			132471 Owner's Manual (French)
			<i>Kit Borden, ecan, ed. - -</i>