

**CATALOGUE PIECES DE RECHANGE**

# **BERNARD Loisirs**

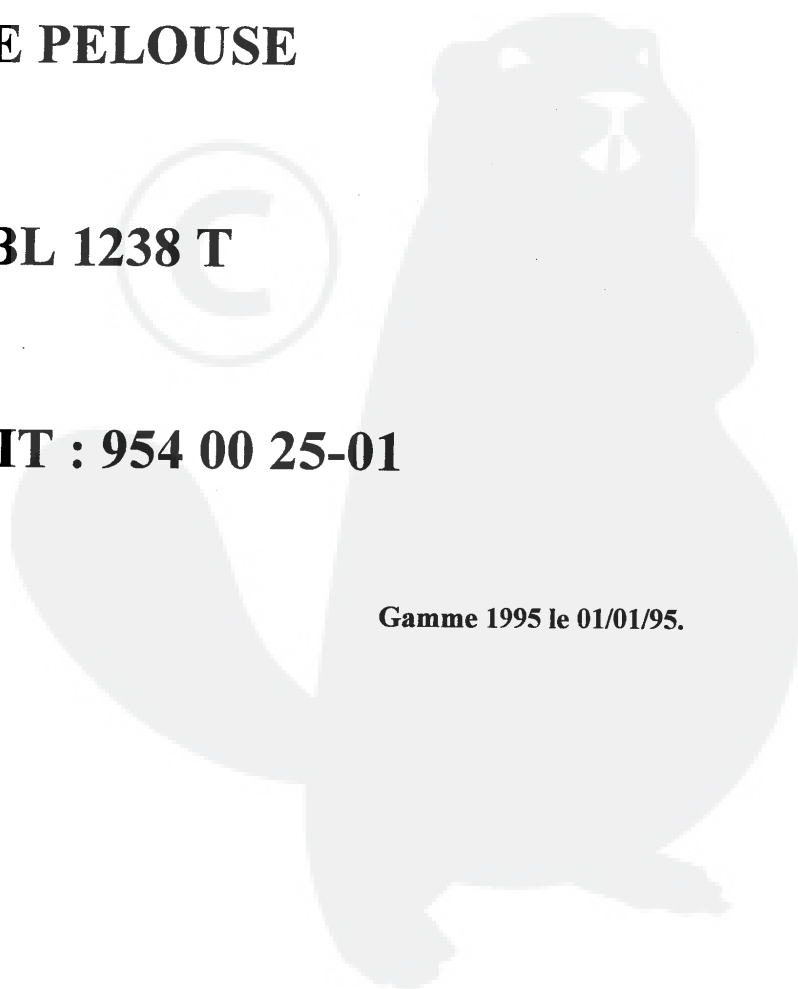
**TRACTEUR DE PELOUSE**

**MODELE : BL 1238 T**

**N° DE PRODUIT : 954 00 25-01**

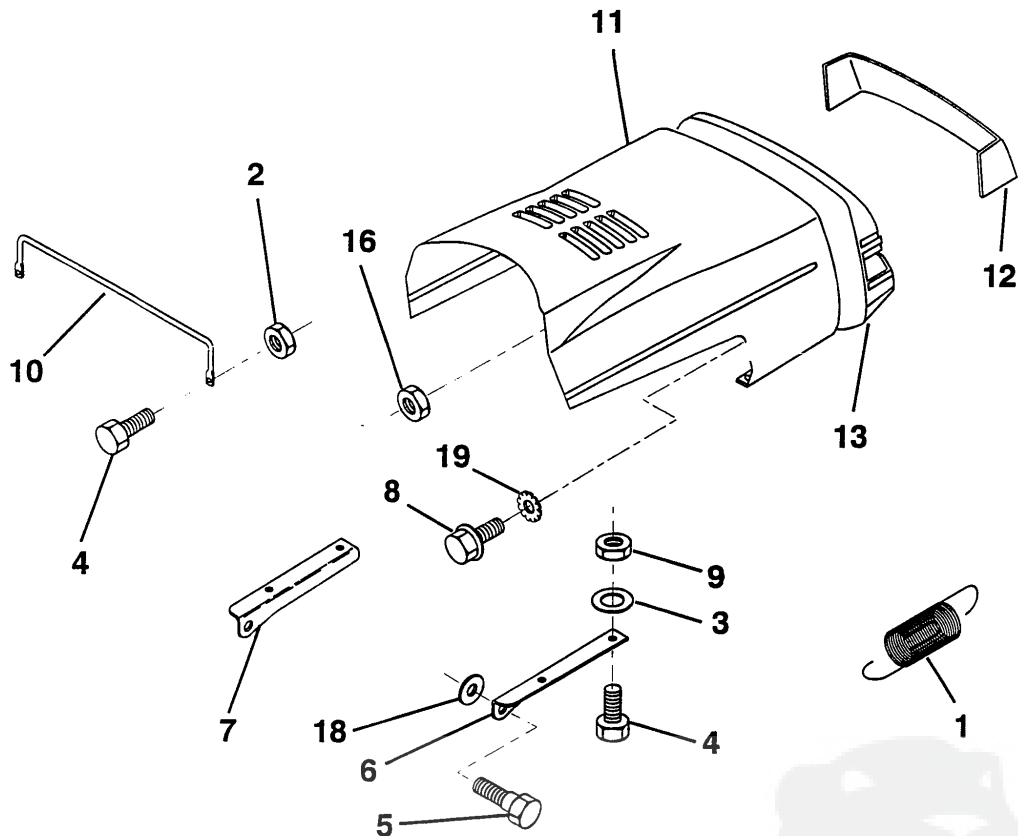
145 456 09.01.94

**Gamme 1995 le 01/01/95.**



## REPAIR PARTS

12 HP 38" TRACTOR - MODEL NO. BL1238TC, PRODUCT NO. 954 00 25-01  
HOOD



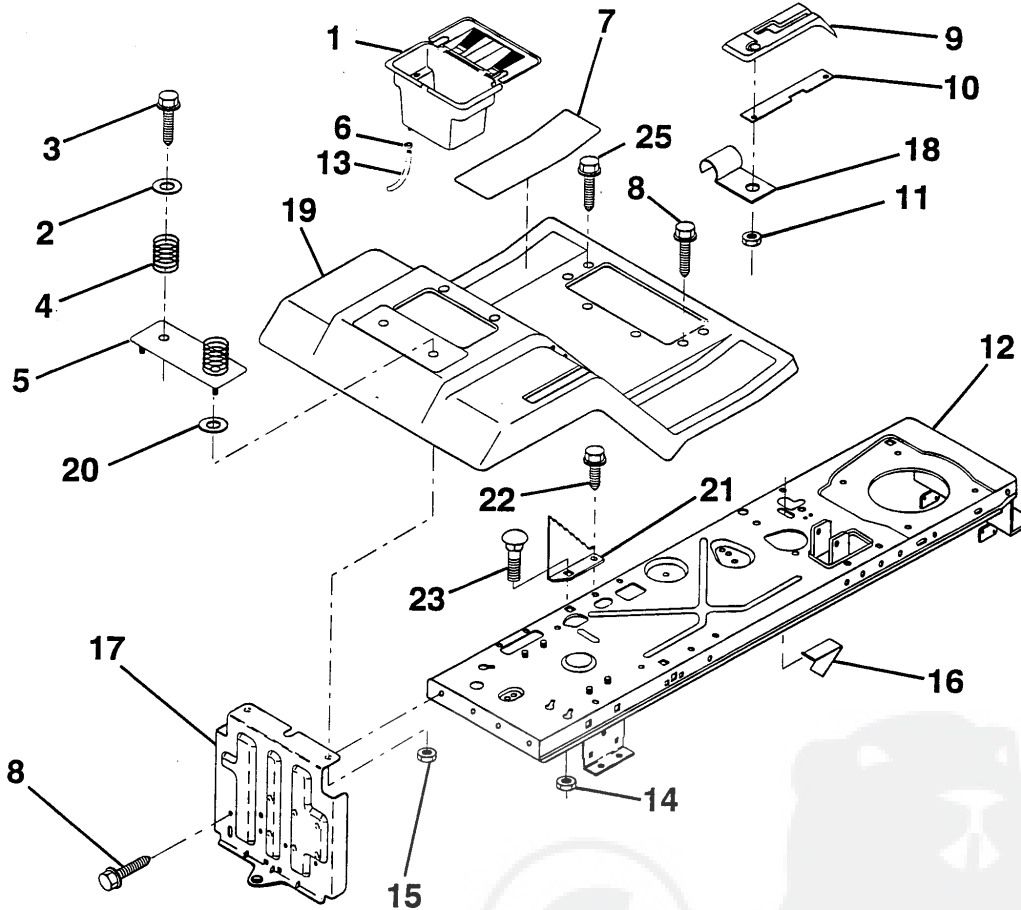
KEY NO.	PART NO.	DESCRIPTION
1	532124657	Extension, Spring
2	873640400	Nut, Hex, Keps 1/4-20
3	819091416	Washer 9/32 x 7/8 x 16 Ga.
4	874780412	Bolt, Hex Fin. 1/4-20 x 3/4 Gr. 5
5	532139888	Bolt, Shoulder
6	532122549	Bracket, Hood R. H.
7	532122548	Bracket, Hood L.H.
8	817521310	Screw, Slt'd Hx Hd w/PI Washer

KEY NO.	PART NO.	DESCRIPTION
9	873800400	Nut, Lock w/insert 1/4-20 Unc
10	532123693	Brace, Hood
11	532125386	Hood
12	532140126	Lens, Plate, Grill
13	532140110	Grill
16	532124346	Nut, Self Thd.
18	819111116	Washer 11/32 x 11/16 x 16 Ga.
19	811030400	Washer Lock 1/4 Int/Ext Tooth

HARDWARE SHOWN LARGER FOR EASIER IDENTIFICATION

## REPAIR PARTS

12 HP 38" TRACTOR - MODEL NO. BL1238TC, PRODUCT NO. 954 00 25-01  
FENDER / CHASSIS

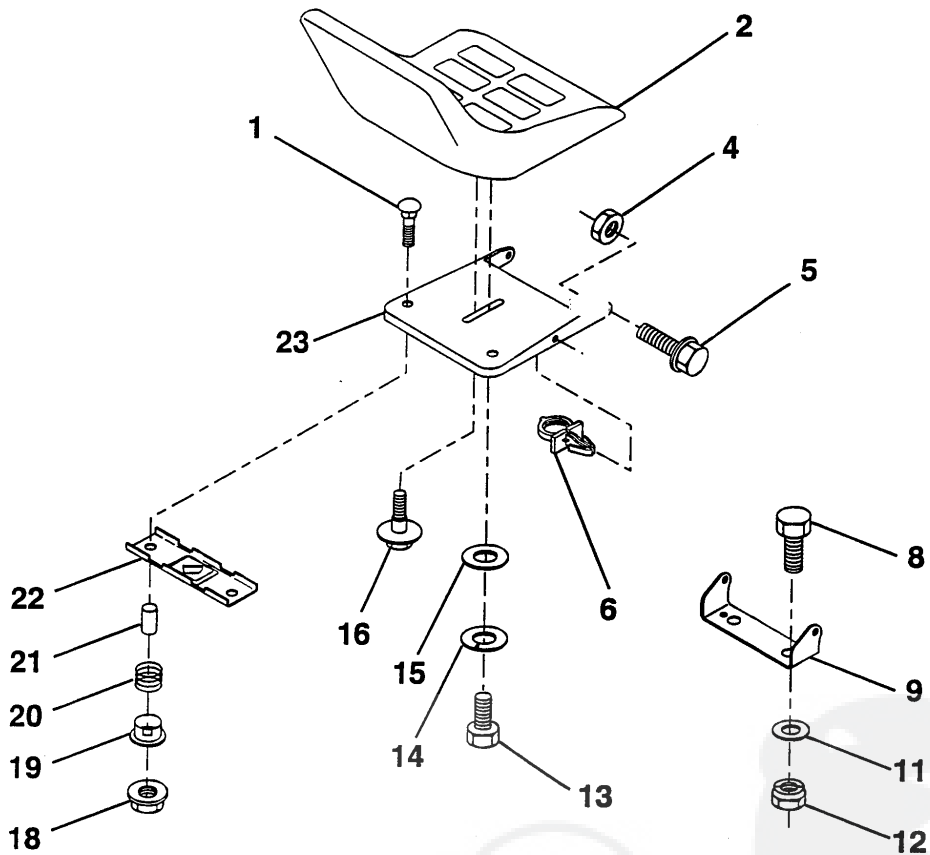


KEY NO.	PART NO.	DESCRIPTION	KEY NO.	PART NO.	DESCRIPTION
1	532129965	Case, Battery	12	532145190	Assembly, Frame
2	819132012	Washer 13/32 x 1-1/4 x 12 Gauge	13	532109238	Tube, Battery Drain
3	817490612	Screw, Hex Wsh. Thrdol. 3/8-16 x 3/4	14	873680500	Nut Crownlock 5/16-18
4	532124181	Spring, Compression, Seat	15	873640400	Nut, Keps 1/4-20 UNC
5	532125139	Plate, Asm. Battery	16	532141736	Switch Actuator
6	532109596	Clamp, Hose	17	532140782	Drawbar
7	532124144	Pad, Footrest	18	532126470	Clip, Insulated
8	817490512	Screw, Hex Wsh. Thrdol. 5/16-18 x 3/4	19	532141471	Fender/Footrest
9	532126995	Console, Shift Control	20	819091413	Washer 9/32 x 7/8 x 13 Ga.
10	532139783	Bar, Shift Lock	21	532140297	Plate Stop Depth
11	532124346	Nut, Self-Threading, Washer Head 3/16	22	817490508	Screw Thdrol 5/16-18 x 1/2
			23	872110506	Bolt Rdhd Sqnk 5/16-18 x 3/4
			25	817490516	Screw Hx Wsh Thd Rol 5/16-18x1

HARDWARE SHOWN LARGER FOR EASIER IDENTIFICATION

# REPAIR PARTS

12 HP 38" TRACTOR - MODEL NO. BL1238TC, PRODUCT NO. 954 00 25-01  
SEAT



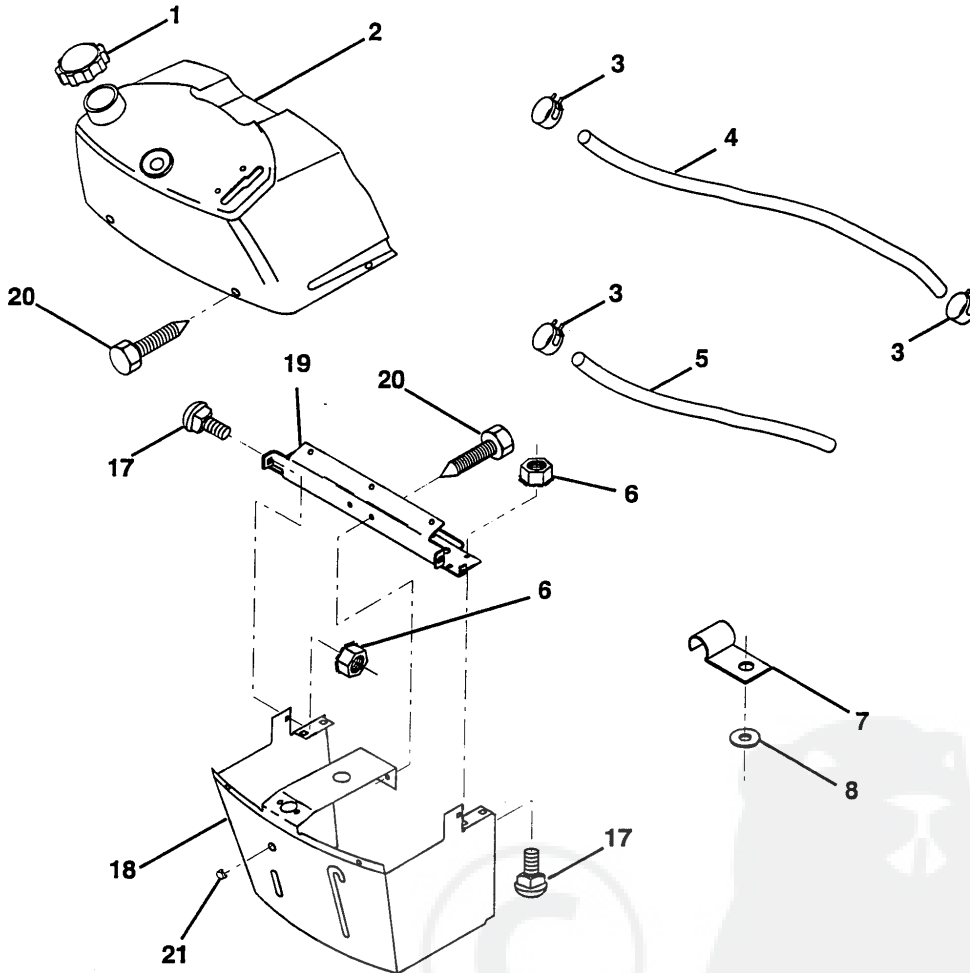
KEY NO.	PART NO.	DESCRIPTION
1	872050411	Bolt, Carriage 1/4-20 x 1-3/8
2	532127427	Seat
4	873800500	Nut, Lock Hex W/Wsh 5/16-18
5	532139888	Bolt, Shoulder 5/16-18 UNC
6	532145006	Clip, Push-In
8	874760616	Bolt, Fin Hex 3/8-16 UNC x 1
9	532140551	Bracket, Pivot Seat
11	819133210	Washer 12/32 x 3/4 x 10 Ga.
12	873800600	Nut, Lock Hex W/Ins 3/8-16 UNC
13	874780814	Bolt, Fin Hex 1/2-13 UNC x 7/8 Gr. 5

KEY NO.	PART NO.	DESCRIPTION
14	810040800	Washer, Lock Hvy Helical Spring
15	819171912	Washer 17/32 x 1-3/16 x 12 Ga.
16	532127018	Bolt, Shoulder
18	532123976	Nut, Hex Large Flange Lock
19	532121248	Bushing, Snap
20	532121250	Spring, Compression
21	532134300	Spacer, Split 28 Id. x .96 Lg.
22	532121246	Bracket, Switch, Mounting
23	532140552	Pan, Seat

HARDWARE SHOWN LARGER FOR EASIER IDENTIFICATION

# REPAIR PARTS

12 HP 38" TRACTOR - MODEL NO. BL1238TC, PRODUCT NO. 954 00 25-01  
DASH

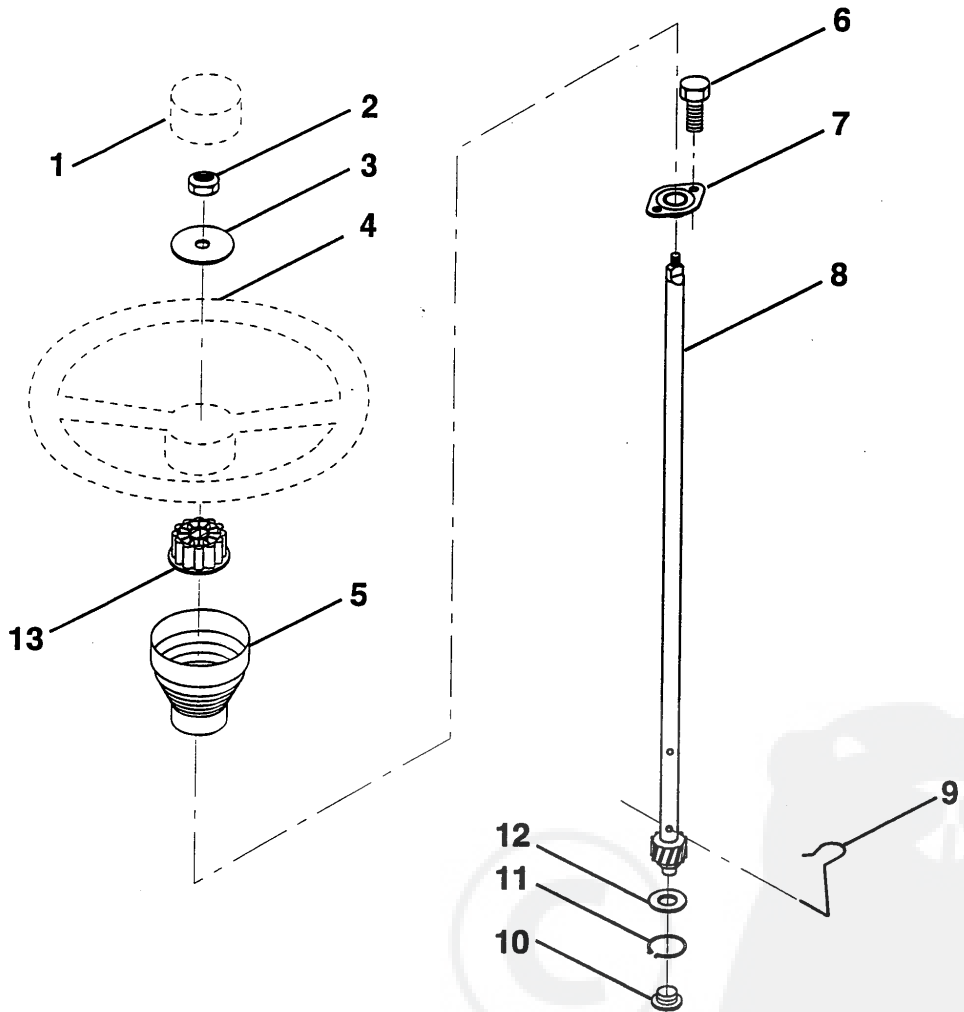


KEY NO.	PART NO.	DESCRIPTION	KEY NO.	PART NO.	DESCRIPTION
1	532141523	Cap, Fuel	8	819091216	Washer 9/32 x 3/4 x 16 Ga.
2	532138393	Assembly, Dash & Fuel Tank	17	872110404	Bolt, Carriage 1/4-20 x 1/2 Gr. 5
3	532123487	Clamp, Hose	18	532131886	Support Assembly, Dash
4	532008544	Line, Fuel	19	532134744	Brace, Cross
5	532008548	Line, Fuel	20	817060408	Screw, Self-Tapping 1/4-20 x 1/2
6	873640400	Nut, Hex, Keps 1/4-20	21	532134014	Plug Dome Blk
7	532124996	Clip, Fuel Line			

HARDWARE SHOWN LARGER FOR EASIER IDENTIFICATION

## REPAIR PARTS

12 HP 38" TRACTOR - MODEL NO. BL1238TC, PRODUCT NO. 954 00 25-01  
STEERING WHEEL



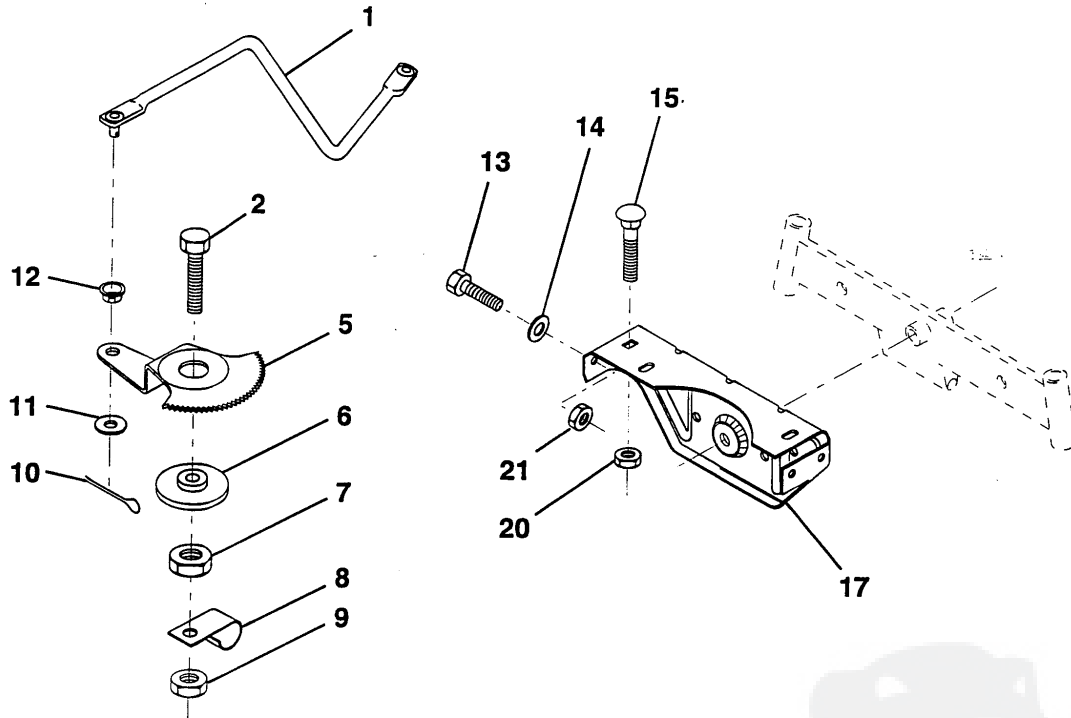
KEY NO.	PART NO.	DESCRIPTION
1	532133742	Insert, Wheel, Steering
2	532124701	Nut, Lock 3/8-24 UNF
3	819133808	Washer 12/32 x 2-3/8 x 8 Ga.
4	532133741	Wheel, Steering
5	532121897	Sleeve, Steering
6	817431008	Screw, Hex #10-16 x 1/2 TY-B
7	532102803	Bushing, Steering

KEY NO.	PART NO.	DESCRIPTION
8	532123651	Shaft, Steering
9	532124210	Clip, Steering
10	532123438	Bushing, Lower, Steering
11	812000045	Ring, Retaining
12	819211616	Washer 21/32 x 1 x 16 Ga.
13	532104820	Adaptor, Wheel, Steering

HARDWARE SHOWN LARGER FOR EASIER IDENTIFICATION

## REPAIR PARTS

12 HP 38" TRACTOR - MODEL NO. BL1238TC, PRODUCT NO. 954 00 25-01  
SECTOR GEAR / AXLE SUPPORT



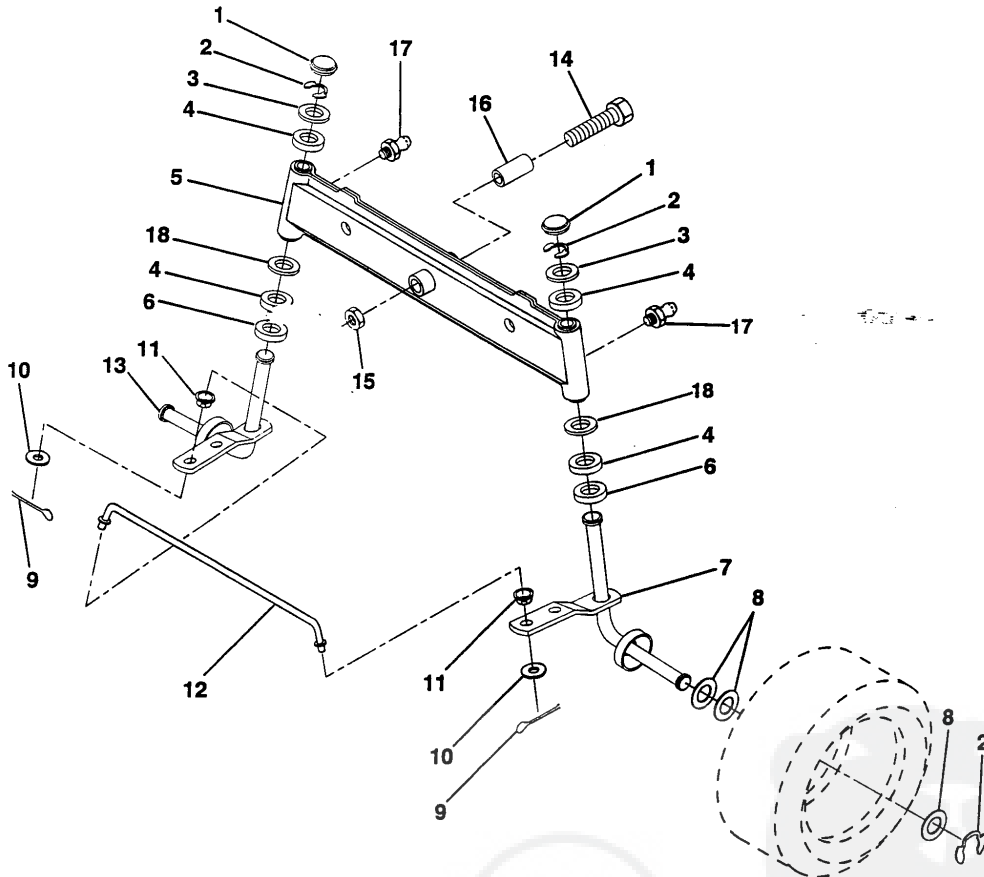
KEY NO.	PART NO.	DESCRIPTION
1	532132566	Link, Drag
2	874780828	Bolt, Fin Hex 1/2-13 x 1-3/4
5	532121926	Gear, Sector
6	532121927	Bushing
7	873030800	Nut, Hvy Hex Top Lock 1/2-13 UNC
8	532126472	Clip, Insulated
9	873680800	Nut, Crownlock 3/8-16
10	876020412	Pin, Cotter 1/8 x 3/4

KEY NO.	PART NO.	DESCRIPTION
11	819131316	Washer, 13/32 x 13/16 x 16 Ga.
12	532126847	Bushing
13	874760512	Bolt, Hex Hd. 5/16-18 UNC x 3/4
14	819111416	Washer 11/32 x 7/8 x 16 Ga.
15	872110606	Bolt, Carriage 3/8-16 UNC x 3/4
17	532137096	Support, Front Axle
20	873680600	Nut, Crownlock 3/8-16
21	873680500	Nut, Crownlock 5/16-18

HARDWARE SHOWN LARGER FOR EASIER IDENTIFICATION

# REPAIR PARTS

12 HP 38" TRACTOR - MODEL NO. BL1238TC, PRODUCT NO. 954 00 25-01  
FRONT AXLE



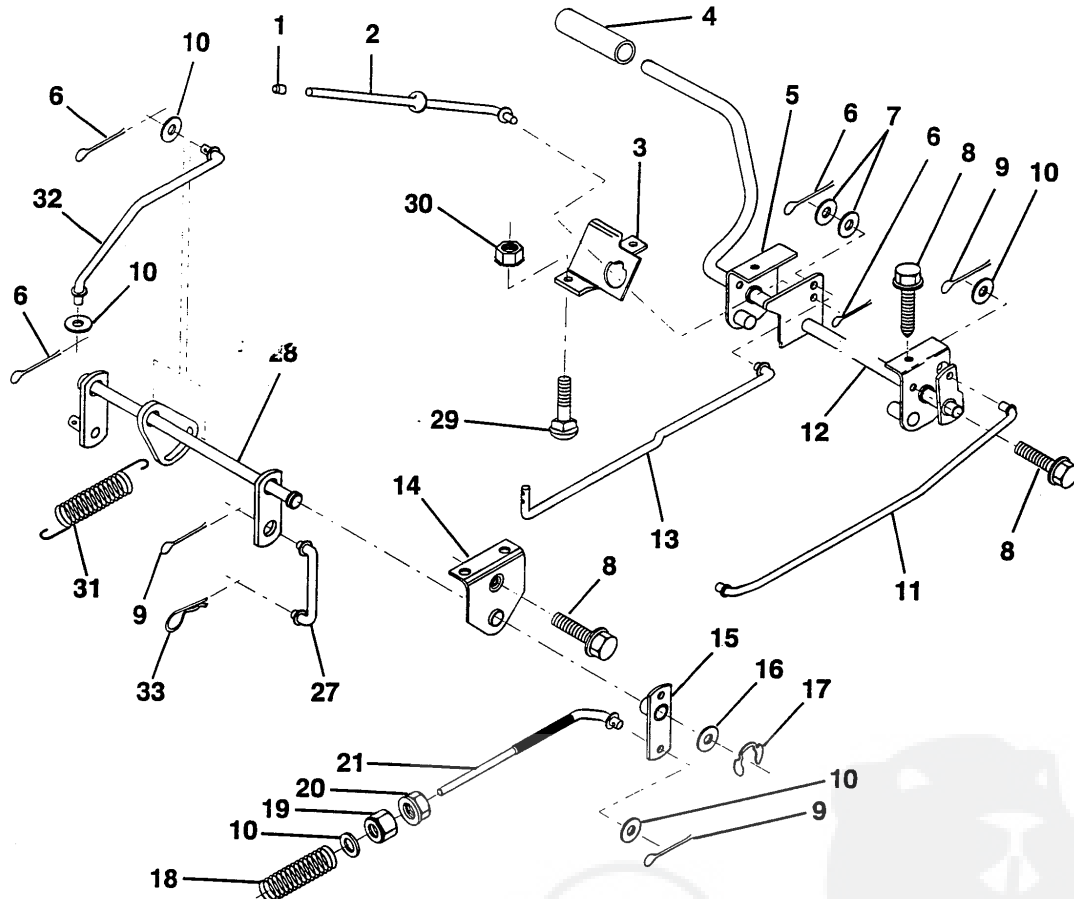
KEY NO.	PART NO.	DESCRIPTION	KEY NO.	PART NO.	DESCRIPTION
1	532121232	Cap, Spindle	10	819131316	Washer 13/32 x 13/16 x 16 Ga.
2	812000029	Ring, Clip	11	532126847	Bushing
3	532121748	Washer 25/32 x 1-5/8 x 16 Ga.	12	532130465	Rod, Tie
4	532124937	Bearing Col Strg Blk	13	532137061	Spindle, L.H. Asm.
5	532142033	Axle, Front	14	874011056	Bolt Hex 5/8-11 x 3-1/2
6	532124931	Bearing, Thrust	15	873901000	Locknut Flange 5/8-11
7	532137062	Spindle, R.H. Asm.	16	532110438	Spacer Bearing Axle Front
8	532121749	Washer 25/32 x 1-1/4 x 16 Ga.	17	532124836	Fitting Grease
9	876020412	Pin, Cotter 1/8 x 3/4	18	819272016	Washer 27/32 x 1-1/4 x 16 Ga.

HARDWARE SHOWN LARGER FOR EASIER IDENTIFICATION



## REPAIR PARTS

12 HP 38" TRACTOR - MODEL NO. BL1238TC, PRODUCT NO. 954 00 25-01  
BRAKE / REAR MOWER LIFT ASSEMBLY



KEY NO.	PART NO.	DESCRIPTION
---------	----------	-------------

1	532071673	Cap, Plunger
2	532123436	Rod, Parking Brake
3	532123437	Bracket, Parking Brake
4	532124872	Cover, Pedal
5	532132205	Bracket, Clutch/Brake Pedal, L.H.
6	876020312	Pin, Cotter 3/32 x 3/4
7	819131016	Washer 13/32 x 5/8 x 16 Gauge
8	817490508	Screw, Hex Head, Thd., Roll 5/16-18 x 1/2
9	876020412	Pin, Cotter 1/8 x 3/4
10	819131316	Washer 13/32 x 13/16 x 16 Gauge
11	532123543	Rod, Brake, Front
12	532139934	Assembly, Clutch/Brake Pedal
13	532123394	Rod, Clutch
14	532121978	Bracket, Lift Shaft

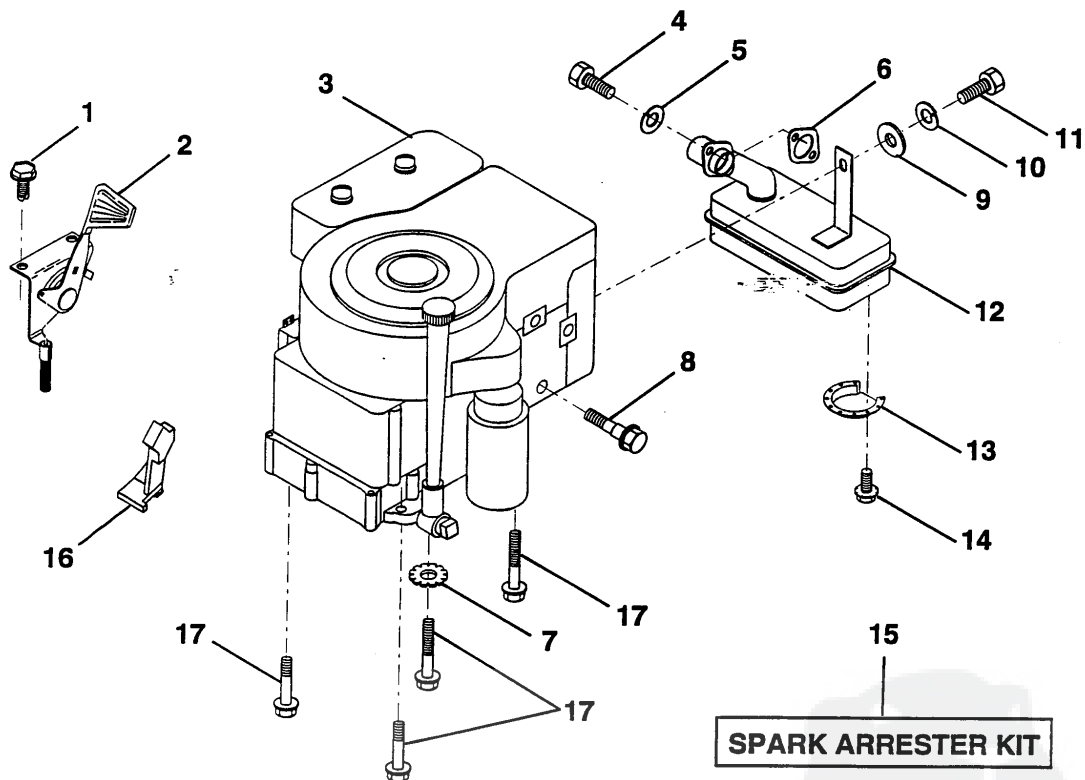
KEY NO.	PART NO.	DESCRIPTION
---------	----------	-------------

15	532133332	Assembly, Brake, Pivot, Arm
16	819251816	Washer 25/32 x 1-1/8 x 16 Gauge
17	812000034	Ring, Klip
18	532106888	Spring, Brake Rod
19	873350600	Nut, Hex, Jam 3/8-16 UNC
20	873680600	Nut, Crownlock 3/8-16 UNC
21	532131460	Rod, Brake, Rear
27	532136780	Link, Lift Rear
28	532140777	Assembly, Rear Mower Lift
29	872110506	Bolt, Carriage 5/16-18 UNC x 3/4
30	873510500	Nut, Hex, Keps 5/16-16 UNC
31	532133095	Spring, Counterbalance
32	532133721	Link, Lift Lever
33	532124670	Spring, Retainer

HARDWARE SHOWN LARGER FOR EASIER IDENTIFICATION

## REPAIR PARTS

12 HP 38" TRACTOR - MODEL NO. BL1238TC, PRODUCT NO. 954 00 25-01  
ENGINE / THROTTLE

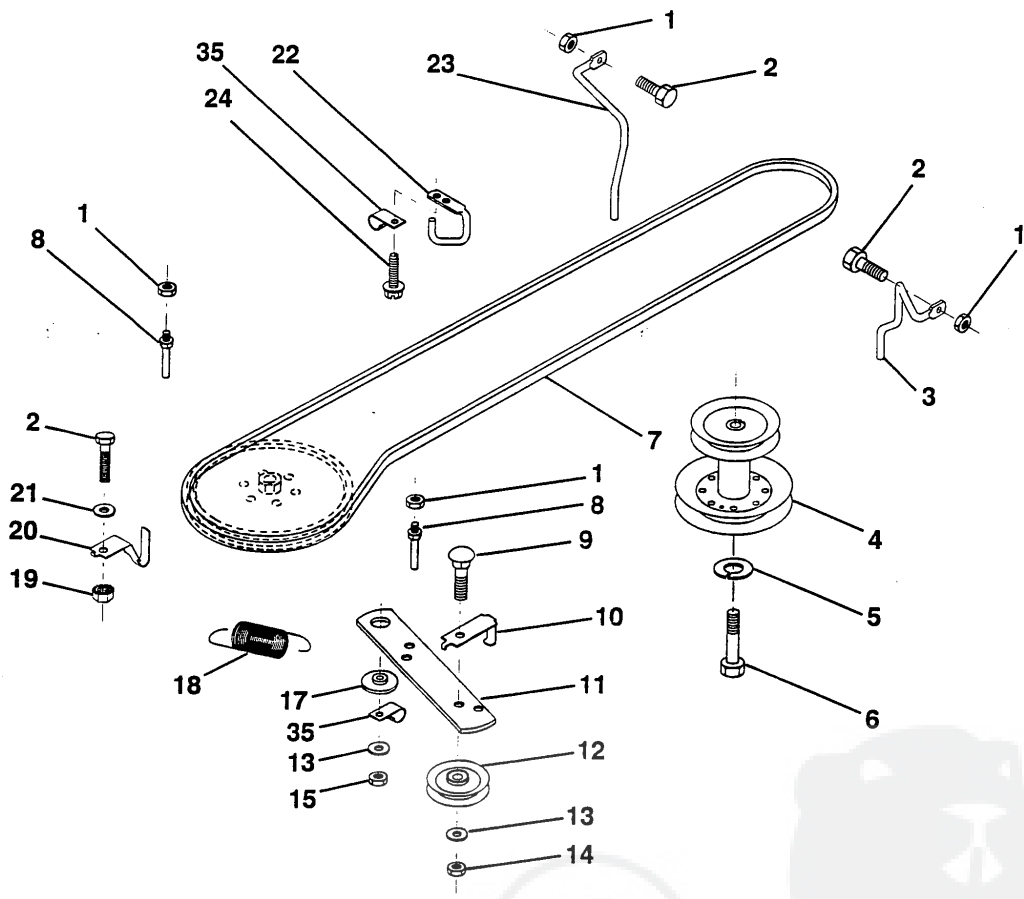


KEY NO.	PART NO.	DESCRIPTION
1	817060408	Screw, Hex Thd. Cut 1/4-20 x 1/2
2	532133025	Control, Throttle
3	-----	Engine, Briggs and Stratton Model No. 283707
4	871070512	Screw, Hex, Cap 5/16-18 x 3/4
5	810040500	Washer, Lock Heavy Helical Spring 5/16
6	532125593	Gasket, Exhaust
7	811050600	Washer Lock Hex Ext. Tooth 3/8
8	532121094	Bolt, Shoulder 5/16
9	819101216	Washer 5/16 x 3/4 x 16
10	810040400	Washer, Lock Heavy Helical Spring 1/4
11	-----	Bolt, Hex (Order from B & S)
12	532137437	Muffler
13	532144986	Deflector, Muffler
14	817030808	Screw, Spiderloc
15	532137180	Arrester, Spark (Optional equipment)
16	532127951	Stop, Throttle
17	817490624	Screw, Hex Wsh Hd Thdrol 3/8-16 x 1-1/2

HARDWARE SHOWN LARGER FOR EASIER IDENTIFICATION

# REPAIR PARTS

12 HP 38" TRACTOR - MODEL NO. BL1238TC, PRODUCT NO. 954 00 25-01  
GROUND DRIVE



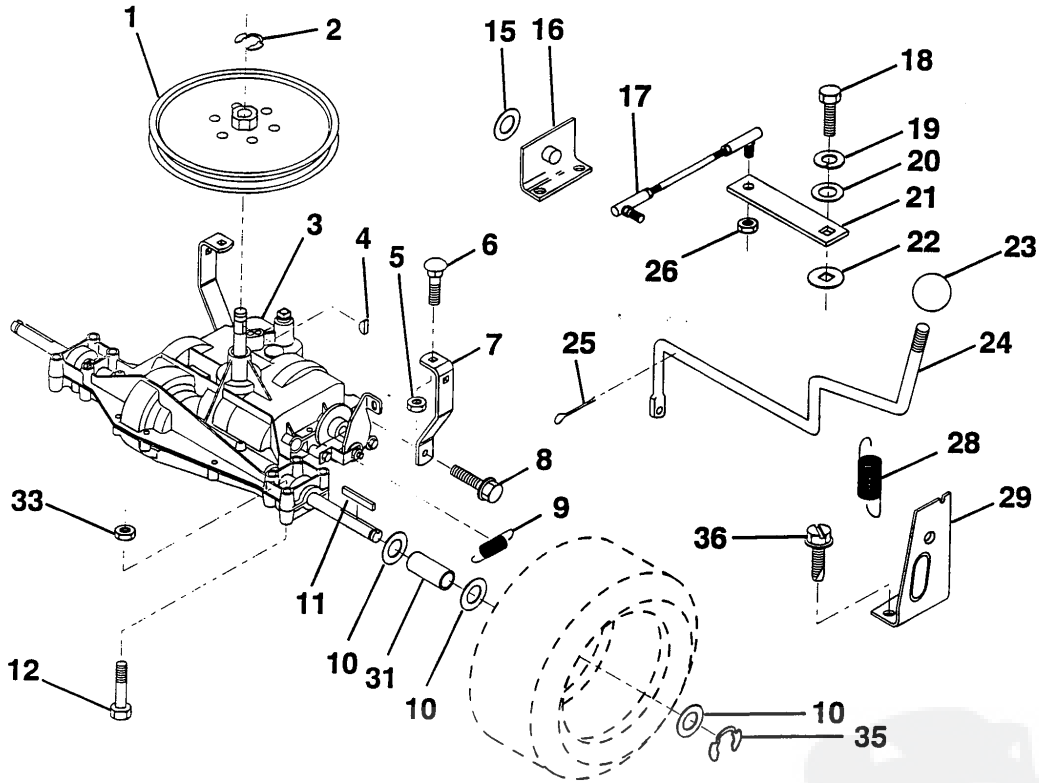
KEY NO.	PART NO.	DESCRIPTION
1	873680500	Nut, Crownlock 5/16-18
2	874760512	Bolt, Hex Hd 5/16-18 UNC x 3/4
3	532141341	Keeper, Mower Drive, R. H.
4	532138029	Pulley, Engine
5	810040700	Washer, Lock 7/16
6	871170744	Bolt Hex 7/16-20 Gr. 5
7	532124525	Traction, V-Belt Drive
8	532123405	Keeper, T/A Ground Drive Belt
9	872140612	Bolt, Carr. 3/8-16 UNC x 1-1/2
10	532123396	Keeper, Belt Ground Drive Idler
11	532140911	Arm, Ground Drive Clutch
12	532123674	Idler, Flat

KEY NO.	PART NO.	DESCRIPTION
13	819131316	Washer 13/32 x 13/16 x 16 Ga.
14	873930600	Nut, Centerlock 3/8-16 UNC
15	873680600	Nut, Crownlock 3/8-16 UNC
17	532122052	Spacer, Retainer
18	532131459	Spring Extension
19	873510500	Nut, Keps 5/16-18 UNC
20	532139919	Keeper, T/A Rear
21	819111016	Washer 11/32 x 5/8 x 16 Ga.
22	532123404	Keeper, Frame Ground Drive Belt
23	532142240	Keeper Belt LH
24	817720408	Screw, Thdcut 1/4-20 x 1/2
35	532126472	Clip, Insulated

HARDWARE SHOWN LARGER FOR EASIER IDENTIFICATION

# REPAIR PARTS

12 HP 38" TRACTOR - MODEL NO. BL1238TC, PRODUCT NO. 954 00 25-01  
TRANSAXLE



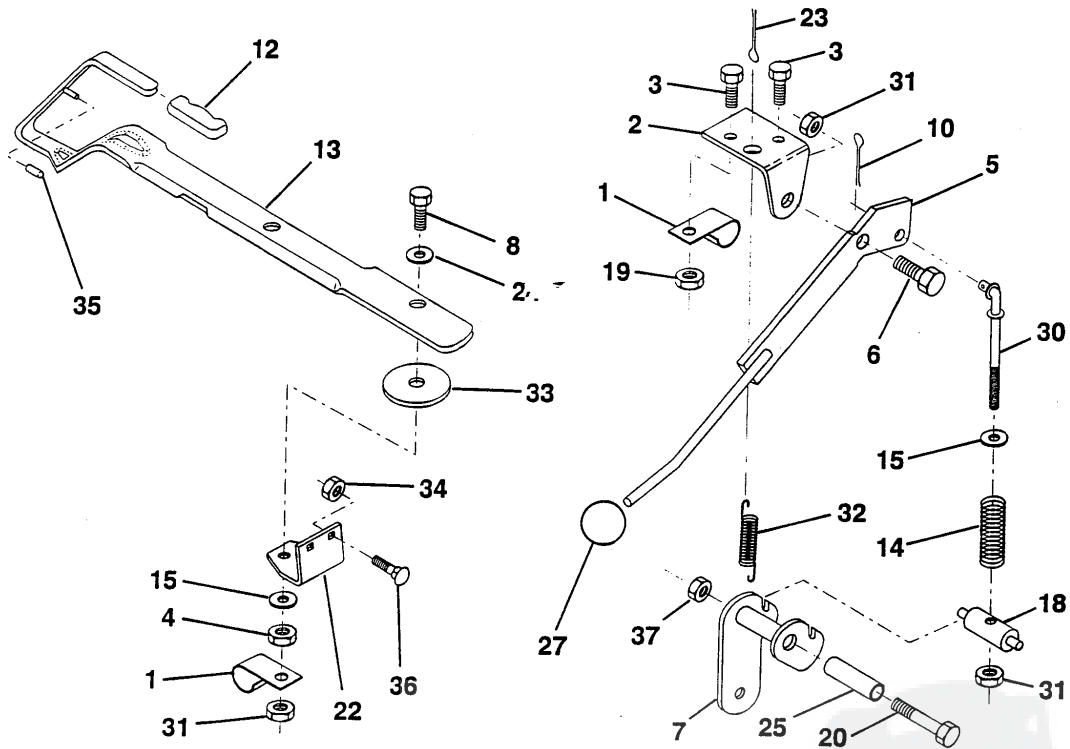
KEY NO.	PART NO.	DESCRIPTION
1	532123385	Pulley
2	812000028	Ring, Retainer
3	-----	Transaxle, Dana 6-Speed Model # D4360-79
4	532125096	Key, Woodruff #9
5	873680500	Nut, Crownlock 5/16-18
6	872140506	Bolt, Carriage 5/16-18 UNC x 3/4
7	532123378	Strap, Torque
8	817490512	Screw 5/16-18 x 3/4
9	532110422	Spring, Brake
10	532121749	Washer 25/32 x 1-1/4 x 16 Ga.
11	532123583	Key, Square
12	874760644	Bolt, Fin Hex 3/8-16 x 2-3/4
15	819171616	Washer 17/32 x 1 x 16 Ga.
16	532124600	Support Handle Shift LH
17	532123632	Link, Shift

KEY NO.	PART NO.	DESCRIPTION
18	871040412	Bolt, Fin Hex 1/4-28 UNF x 3/4 Gr. 8
19	810040400	Washer, Lock 1/4
20	819091210	Washer 9/32 x 3/4 x 10 Ga.
21	532123539	Arm, Shift
22	532105701	Washer, Shift Plate
23	532121274	Knob
24	532128215	Shift Rod
25	876020416	Pin, Cotter 1/8 x 1
26	873810500	Nut, Hex Nylon
28	532128085	Extension, Spring
29	532128084	Support Handle Shift RH
31	532109502	Spacer, Split
33	873680600	Nut, Crownlock 3/8-16
35	812000001	E-Ring
36	817720408	Screw, Thdcut 1/4-20 x 1/2

HARDWARE SHOWN LARGER FOR EASIER IDENTIFICATION

# REPAIR PARTS

12 HP 38" TRACTOR - MODEL NO. BL1238TC, PRODUCT NO. 954 00 25-01  
MOWER LIFT LEVER



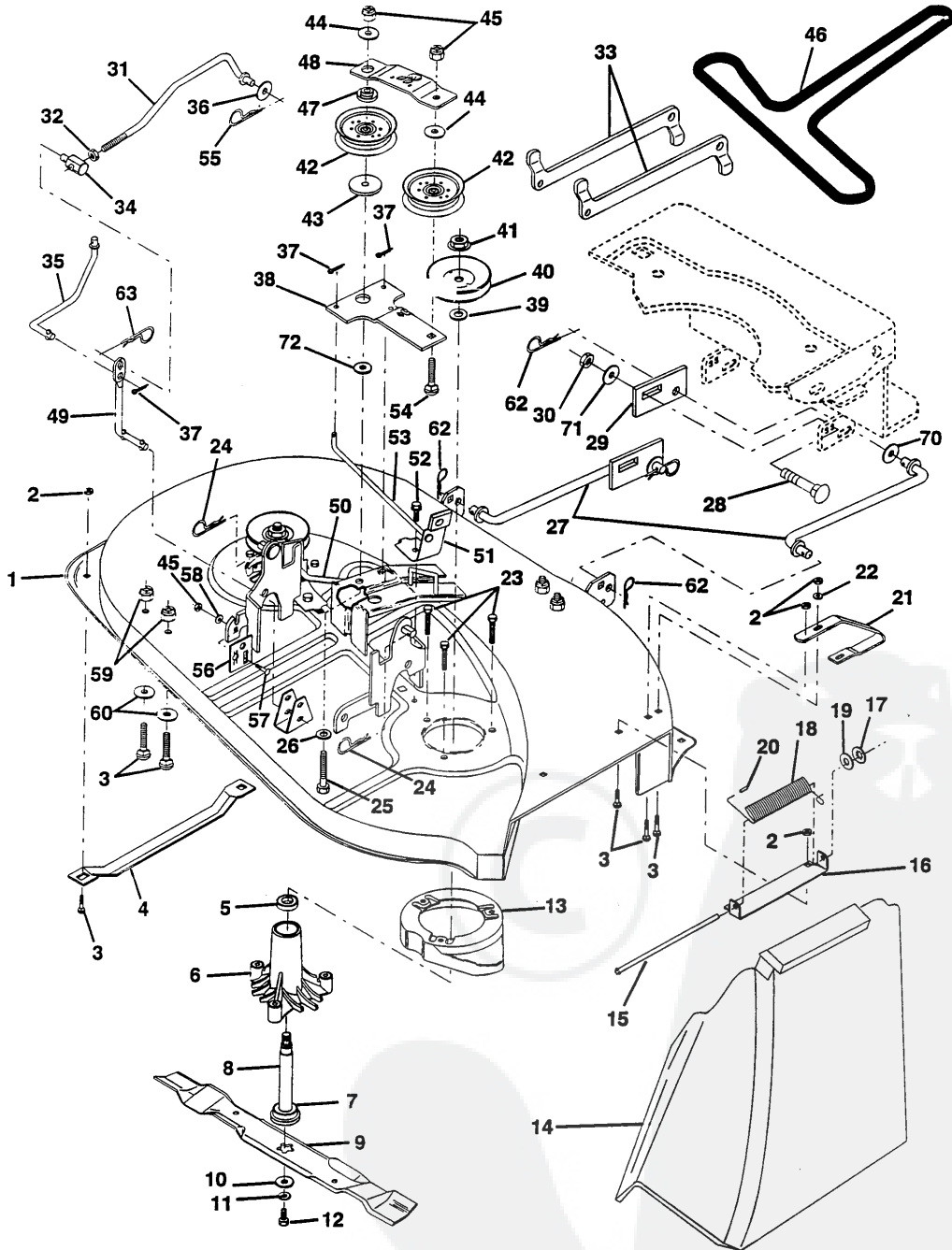
KEY NO.	PART NO.	DESCRIPTION
1	532126470	Clip, Insulated
2	532122018	Bracket, Mower Clutch
3	871110408	Bolt, Hex Hd, Fin. 1/4-20 UNC x 1/2
4	873800600	Nut, Lock Hex W/Ins. 3/8-16 UNC
5	532145187	Assembly, Clutch Lever
6	532106451	Bolt, Shoulder
7	532141435	Assembly, Mower Clutch Arm
8	874930624	Bolt, Hex Head 3/8-16 UNC x 1-1/2
10	876020412	Pin, Cotter 1/8 x 3/4
12	532122027	Handle, Lift Lever
13	532136658	Assembly, Lift Handle
14	532133939	Spring, Compression
15	819131616	Washer 13/32 x 1 x 11 Ga.
18	532135107	Trunnion, Threaded 3/8-16
19	873680400	Nut, Crownlock 1/4-20

KEY NO.	PART NO.	DESCRIPTION
20	874760644	Bolt, Hex Head Fin 3/8-16 UNC x 2-3/4
22	532132561	Bracket, Lift Lever
23	876020312	Pin, Cotter 3/32 x 3/4
24	532007672	Washer 25/64 x 1-1/4 x 12 Ga.
25	532121933	Tube, Spacer
27	532121466	Knob
30	532135039	Rod, Tension, Clutch
31	873800600	Nut, Crownlock 3/8-16 UNC
32	532133435	Spring, Extension, Return
33	532062333	Washer
34	873800500	Nut, Lock Hex W/Wsh. 5/16-18
35	532133603	Cap, Vinyl, Red
36	872140506	Bolt, Carriage 5/16-18 x 3/4
37	873800600	Nut Lock Hex W/Ins. 3/8-16

HARDWARE SHOWN LARGER FOR EASIER IDENTIFICATION

# REPAIR PARTS

12 HP 38" TRACTOR - MODEL NO. BL1238TC, PRODUCT NO. 954 00 25-01  
MOWER DECK



# REPAIR PARTS

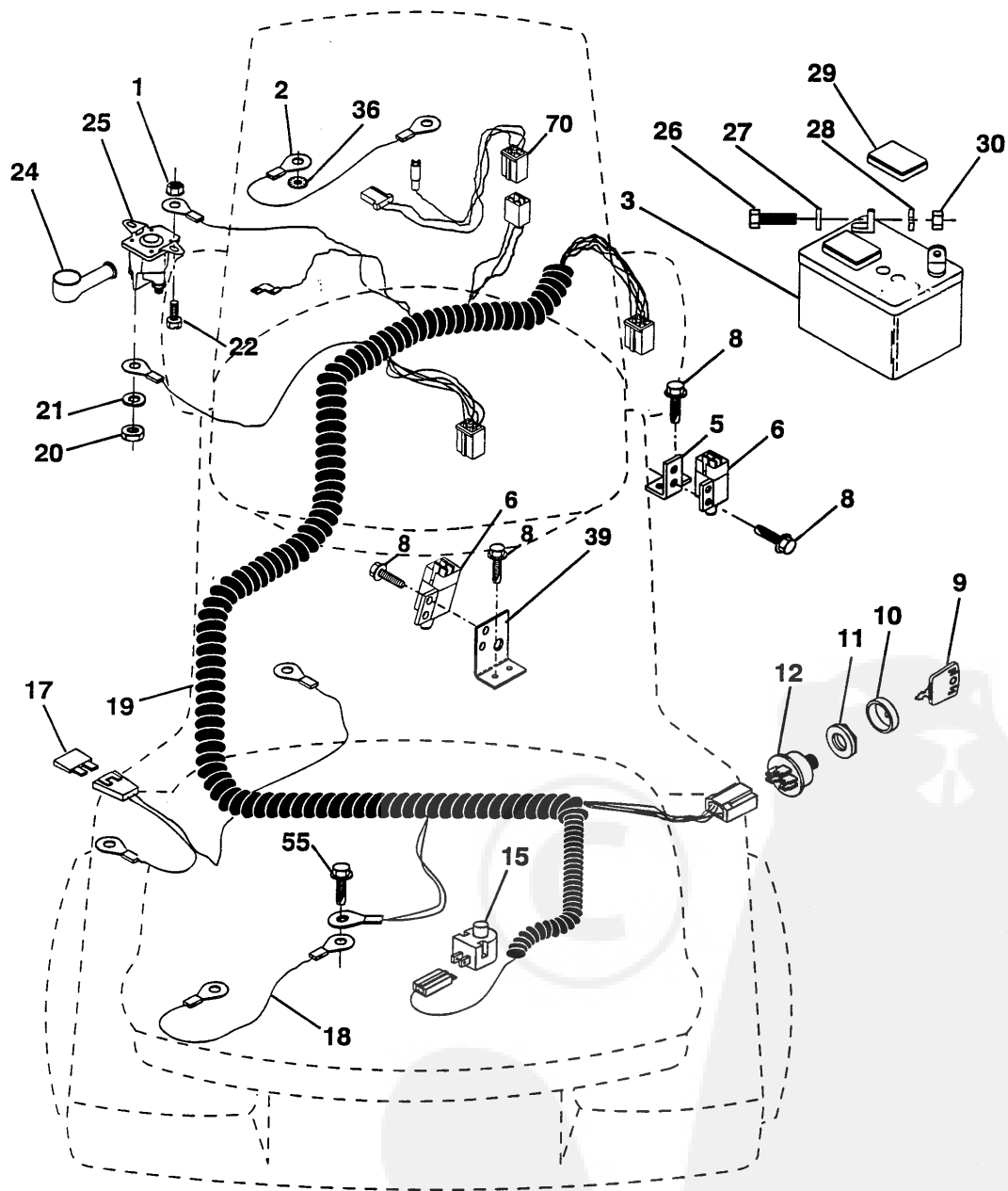
12 HP 38" TRACTOR - MODEL NO. BL1238TC, PRODUCT NO. 954 00 25-01  
MOWER DECK

KEY NO.	PART NO.	DESCRIPTION	KEY NO.	PART NO.	DESCRIPTION
1	532142830	Mower Deck Assembly	36	819131316	Washer 13/32 x 13/16 x 16 Gauge
2	873680500	Nut, Crownlock 5/16-18	37	876020312	Pin, Cotter 3/32 x 3/4
3	872140506	Bolt, Carriage 5/16-18 x 3/4	38	532133840	Idler Arm
4	532125074	Runner, L.H.	39	532129963	Washer .150 Thick
5	532110485	Bearing	40	532129206	Pulley, Mandrel
6	532128774	Housing, Mandrel	41	532137266	Nut, Flangelock 9/16
7	532129895	Bearing	42	532121316	Pulley, Flat Idler
8	532137645	Shaft and Bearing As. bly, Mandrel (Includes Key Number 7)	43	532122052	Spacer, Retainer
9	532138497	Blade, 38" High Lift	44	819131612	Washer 13/32 x 1 x 12 Gauge
10	532140296	Washer, Hardened	45	873680600	Nut, Crownlock 3/8-16
11	810030600	Washer, Lock 3/8	46	532126520	Belt
12	532850857	Bolt, Hex 3/8-24 x 1-1/4 Grade 8	47	532133502	Spacer, Idler Arm
13	532140329	Stripper, Mower, Vented	48	532133503	Stiffener, Idler Arm
14	532106736	Shield, Deflector	49	532133551	Rod, Pivot
15	532106735	Rod, Hinge	50	532131289	Rod, Brake, L.H.
16	532137607	Bracket Assembly, Deflector	51	532130840	Brake Assembly
17	532110452	Pushnut	52	817490512	Screw, Hex Washer Hd, Thdrol. 5/16-18 x 3/4
18	532123713	Spring, Deflector	53	532131288	Rod, Brake, R.H.
19	819111016	Washer 11/32 x 5/8 x 16 Gauge	54	872110614	Bolt, Carriage 3/8-16 x 1-3/4 Gr. 5
20	532105304	Cap, Sleeve	55	532124961	Spring, Retainer
21	532128772	Runner, R.H.	56	532136782	Plate Adj. Link Rear LH
22	819111216	Washer 11/32 x 3/4 x 16 Gauge	57	872140608	Bolt Rdhd Sqnk 3/8-16 Unc x 1
23	532138776	Screw, Thdrol Hex Head Zinc MWR	58	819131212	Washer 13/32 x 3/4 x 12 Ga.
24	532124670	Retainer, Spring	59	873680500	Nut Crownlock 5/16-18
25	874600636	Bolt, Carriage 3/8-16 x 2-1/4	60	819111112	Washer 11/32 x 11/16 x 16 Ga.
26	819131612	Washer 13/32 x 1 x 12 Gauge	62	532124660	Retainer Spring
27	532139756	Link Assembly, Front	63	532124788	Spring, Retainer
28	872140608	Bolt, Rdhd Sqnk 3/8 - 16 x 1	70	819162016	Washer 1/2 x 1-1/4 x 16 Ga.
29	532139757	Plate Slide Link	71	819131610	Washer Flat 13/32 x 1 x 10 Ga.
30	873680600	Nut, Crownlock 3/8-16	72	532133943	Washer Hardened
31	532140915	Clutch Rod, Primary	--	532130794	Mandrel Assembly (Includes Key Numbers 5-8, 10-12, 39 and 41)
32	873350600	Nut, Hex, Jam 3/8-16	--	532144975	Mower Deck, Complete
33	532132559	Arm, Suspension, Rear			
34	532133604	Trunnion 3/8-16			
35	532132554	Clutch Rod, Secondary			

HARDWARE SHOWN LARGER FOR EASIER IDENTIFICATION

# REPAIR PARTS

12 HP 38" TRACTOR - MODEL NO. BL1238TC, PRODUCT NO. 954 00 25-01  
ELECTRICAL





## REPAIR PARTS

12 HP 38" TRACTOR - MODEL NO. BL1238TC, PRODUCT NO. 954 00 25-01  
ELECTRICAL

KEY NO.	PART NO.	DESCRIPTION
1	873640400	Nut, Hex Keps 1/4-20
2	532108423	Assembly, Cable
3	532133909	Battery
5	532108236	Bracket, Switch
6	532109553	Switch, Interlock 4 terminal
8	817021008	Screw, Tap Hex Hd.
9	532140401	Key, Molded
10	532141226	Cover, Key Ignition
11	532140400	Nut, Ignition
12	532144921	Switch, Ignition
15	532121305	Switch, Plunger
17	532108824	Fuse
18	532128353	Assembly, Cable
19	532143131	Harness, Ignition
20	873350400	Nut, Hex Jam 1/4-20
21	810090400	Washer, Lock 1/4
22	871110408	Bolt, Fin Hex 1/4-20 UNC x 1/2
24	532131563	Cover, Terminal
25	532138406	Solenoid
26	874760412	Bolt, Hex Hd. 1/4-20 UNC x 3/4
27	819091016	Washer 9/32 x 5/8 x 16
28	810040400	Washer, Lock 1/4
29	532121264	Cap, Battery
30	873220400	Nut, Fin Hex 1/4-20 UNC
36	811150400	Washer Lock Int. Tooth 1/4
39	532141735	Bracket Switch Clutch
55	817490508	Screw Thdrol 5/16-18 x 1/2
70	532140413	Harness, Engine

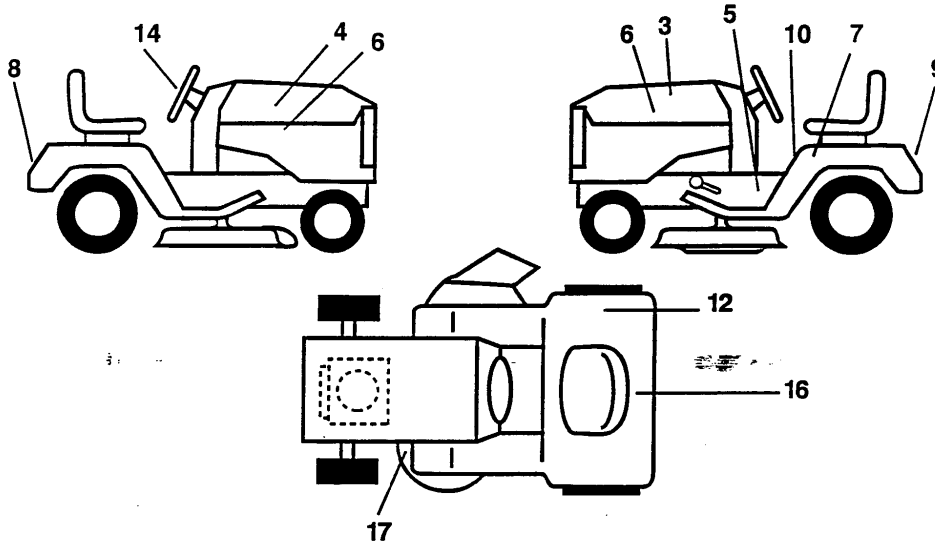
HARDWARE SHOWN LARGER FOR EASIER IDENTIFICATION



## REPAIR PARTS

12 HP 38" TRACTOR - MODEL NO. BL1238TC, PRODUCT NO. 954 00 25-01

### DECALS

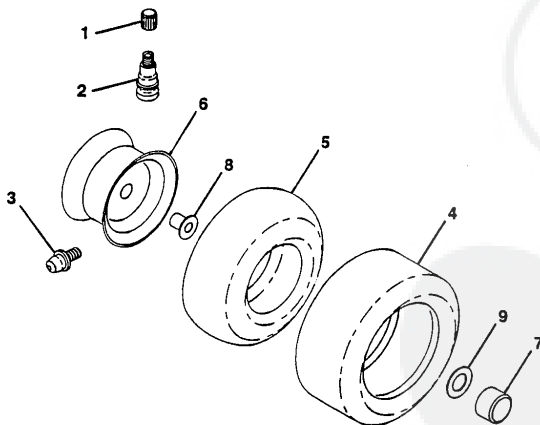


KEY NO.	PART NO.	DESCRIPTION
3	532125816	Decal, Hood Stipe L.H.
4	532125817	Decal, Hood Stipe R.H.
5	532145545	Decal, Oper. Inst. Symbols
6	532138365	Decal Side Panel
7	532135073	Height Indicator
8	532125819	Decal, Fender
9	532125690	Decal, 100 DBA
10	532145498	Decal, Read Owner's Manual, Symbols

KEY NO.	PART NO.	DESCRIPTION
12	532145437	Decal, Europ. Stand. C.E. Tractor
14	532125835	Decal, Steering Wheel Insert
16	532121549	Decal, Caution Battery
17	532136832	Decal, V-Belt Sch.
--	532145342	Manual, Operator's

Available accessories not included with tractor:  
 -- CER38 Grass Catcher  
 -- MK380 Mulch Plate

### WHEELS & TIRE

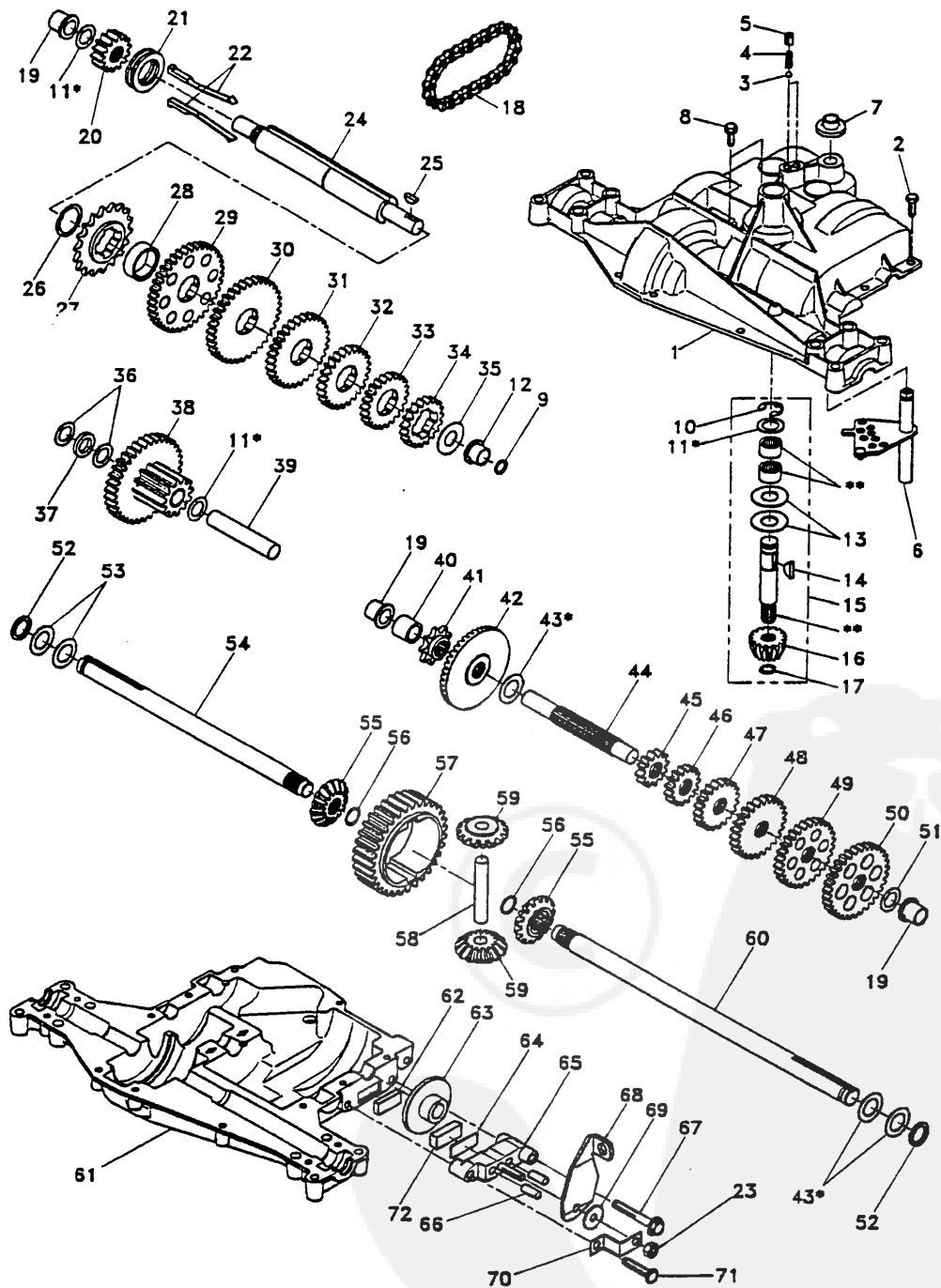


KEY NO.	PART NO.	DESCRIPTION
1	532059192	Cap, Valve
2	532065139	Stem, Valve
3	532124957	Fitting, Grease
4	532132703	Tire, Rear
	532137422	Tire, Front
5	532008134	Tube, Rear (Opt. Serv. Items Only)
	532059904	Tube, Front (Opt. Serv. Items Only)
6	532141472	Rim, Front
	532141268	Rim, Rear
7	532104757	Cap, Axle
8	532124959	Bearing, Flange (Front Wheels Only)
9	532121748	Washer

HARDWARE SHOWN LARGER FOR EASIER IDENTIFICATION

# REPAIR PARTS

12 HP 38" TRACTOR - MODEL NO. BL1238TC, PRODUCT NO. 954 00 25-01  
TRANSAXLE DANA - MODEL NUMBER 4360-79



## REPAIR PARTS

12 HP 38" TRACTOR - MODEL NO. BL1238TC, PRODUCT NO. 954 00 25-01  
TRANSAXLE DANA - MODEL NUMBER 4360-79

KEY PART NO. NO.	DESCRIPTION	KEY PART NO. NO.	DESCRIPTION
1	532142671 Housing, Upper	41	532105928 Sprocket, 9 Teeth
2	532002274 Screw, Self-Tapping, Large 1/4-20 x .734	42	532110084 Gear, Bevel, 42 Teeth
3	532134400 Ball, Detent	43	532134394 * Assembly, Kit, Shim .750 Shaft
4	532105904 Spring, Detent	44	532120473 Shaft, Drive
5	532105905 Screw, Set	45	532142678 Gear, Spur, 12 Teeth
6	532138235 Kit, Shifter Assembly	46	532142679 Gear, Spur, 15 Teeth
7	532134399 Boot, Shifter	47	532120407 Gear, Spur, 20 Teeth
8	532134791 Screw, Self-Tapping, with Sealer	48	532106589 Gear, Spur, 25 Teeth
9	532138241 Square Ring	49	532120408 Gear, Spur, 28 Teeth
10	532142672 Ring, Retaining	50	532105937 Gear, Spur, 31 Teeth
11	532134793 * Assembly, Kit, Shim .625 Shaft	51	532002226 Washer, Plain .632 x 1.00 x .060
12	532142673 Bearing, Flange	52	532134401 Washer, Neoprene
13	532120415 Washer, Plain .632 x 1.38 x .046	53	532002264 Washer, Plain .758 x 1.25 x .031
14	532142674 Key, Woodruff, #9	54	532120474 Axle, L.H.
15	532138234 Assembly, Kit, Input Shaft	55	532110081 Gear, Miter, 15 Teeth
16	532110078 Pinion, Bevel, 14 Teeth	56	532105941 Ring, Retaining
17	532105909 Ring, Retaining	57	532110071 Gear, Spur, 32 Teeth
18	532105910 Chain, 24 Pitches	58	532120952 Shaft, Cross
19	532105911 Bearing, Flange	59	532110082 Gear, Miter, 15 Teeth
20	532142675 Gear, Spur, 14 Teeth	60	532123908 Axle, R.H.
21	532138246 Collar, Clutch	61	532142680 Housing, Lower
22	532138236 Assembly, Kit, Clutch Keys	62	532120961 Puck, Friction
23	873810500 Locknut 5/16-24	63	532007294 Disc, Brake
24	532142676 Shaft, Intermediate	64	532108989 Spacer
25	532002244 Key, Woodruff, #61	65	532120953 Jaw, Brake
26	532105916 Ring, Retaining	66	532120954 Pin, Dowel
27	532120470 Sprocket, 18 Teeth	67	532134799 Screw, Self-Tapping, Large 5/16-18 x 2.25
28	532110070 Spacer	68	532138244 Lever, Actuating
29	532142677 Gear, Spur, 37 Teeth	69	532108996 Washer, Plain .321 x 1.00 x .055
30	532142681 Gear, Spur, 35 Teeth	70	532120956 Bracket, Anti-Rotation
31	532120405 Gear, Spur, 30 Teeth	71	532106596 Screw, Self-Tapping, Large 5/16-18 x 1.44
32	532108980 Gear, Spur, 25 Teeth	72	532120951 Puck, Friction
33	532120406 Gear, Spur, 22 Teeth	73	532120416 Grease
34	532134796 Gear, Spur, 19 Teeth		
35	532105925 Washer, Plain .640 x 1.37 x .061		
36	532002232 Washer, Plain .632 x 1.00 x .026		
37	532108978 Spacer .630 x 1.00 x .169		
38	532110079 Assembly, Gear, Combination of 12 Teeth and 35 Teeth		
39	532124639 Shaft, Idler		
40	532120472 Spacer .635 x .875 x .755		

\* Use in combinations to maintain proper clearances

\*\* Order Key No. 15

**NOTE:** All component dimensions given in U.S. inches  
1 inch = 25.4 mm