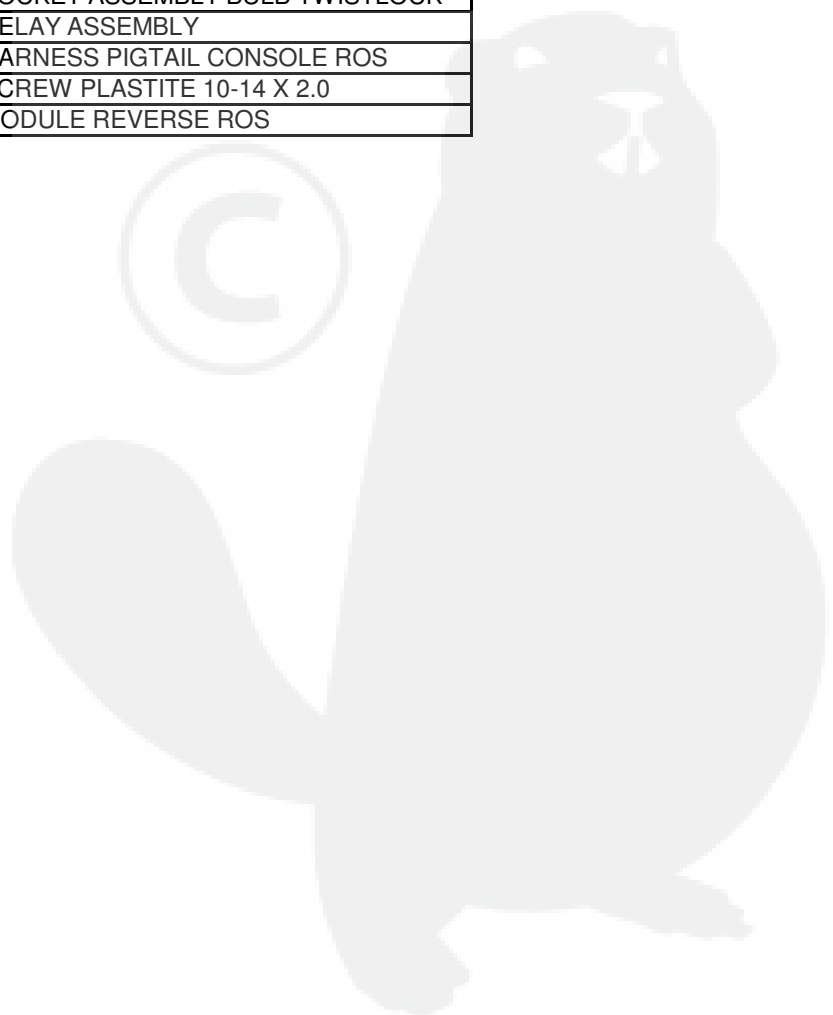
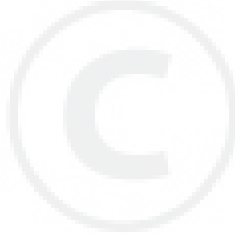
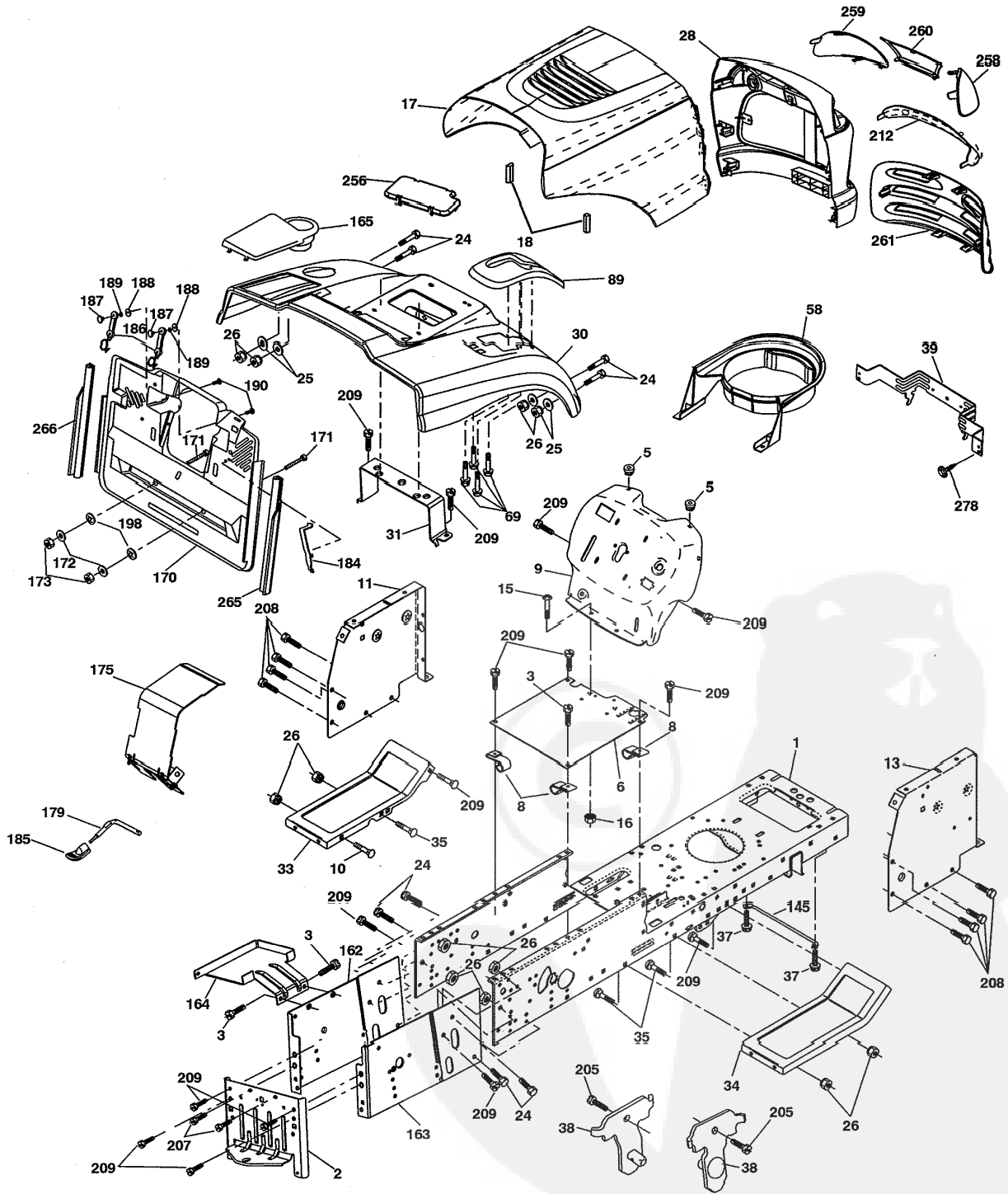


	Key ID	Description
1	163465	BATTERY
2	74760412	BOLT HEX HD 1/4-20 UNC X 3/4
16	176138	SWITCH INTERLOCK
21	183759	HARNESS ASSEMBLY LIGHT W/4152J
22	4152J	BULB LIGHT #1156
24	165987	CABLE BATTERY CRD 56" RED
25	421299	CABLE STARTER 6 GA. 11" RED
26	175158	FUSE
27	73510400	NUT KEPS HEX 1/4-20 UNC
28	127725X	CABLE GROUND 6 GA. 18" BLACK
29	192749	SWITCH SEAT
30	193350	SWITCH IGNITION
33	411934	KEY/CHAIN
34	110712X	SWITCH LIGHT
40	197434	HARNESS IGN
41	71110408	BOLT FLK FIN HEX 1/4-20 UNC X 1/2
42	131563	COVER TERMINAL RED
43	192507	SOLENOID
45	122822X	AMMETER
50	174651	SWITCH PTO
51	140405	RING RETAINER PTO
52	141940	PROTECTION WIRE LOOP
58	169419	BUZZER CRD
59	180379	SWITCH FBI CRD
66	17490608	SCREW THDROL 3/8-16 X 1/2 TY-TT
79	175242	SOCKET ASSEMBLY BULB TWISTLOCK
81	109748X	RELAY ASSEMBLY
92	196615	HARNESS PIGTAIL CONSOLE ROS
93	192540	SCREW PLASTITE 10-14 X 2.0
94	191834	MODULE REVERSE ROS

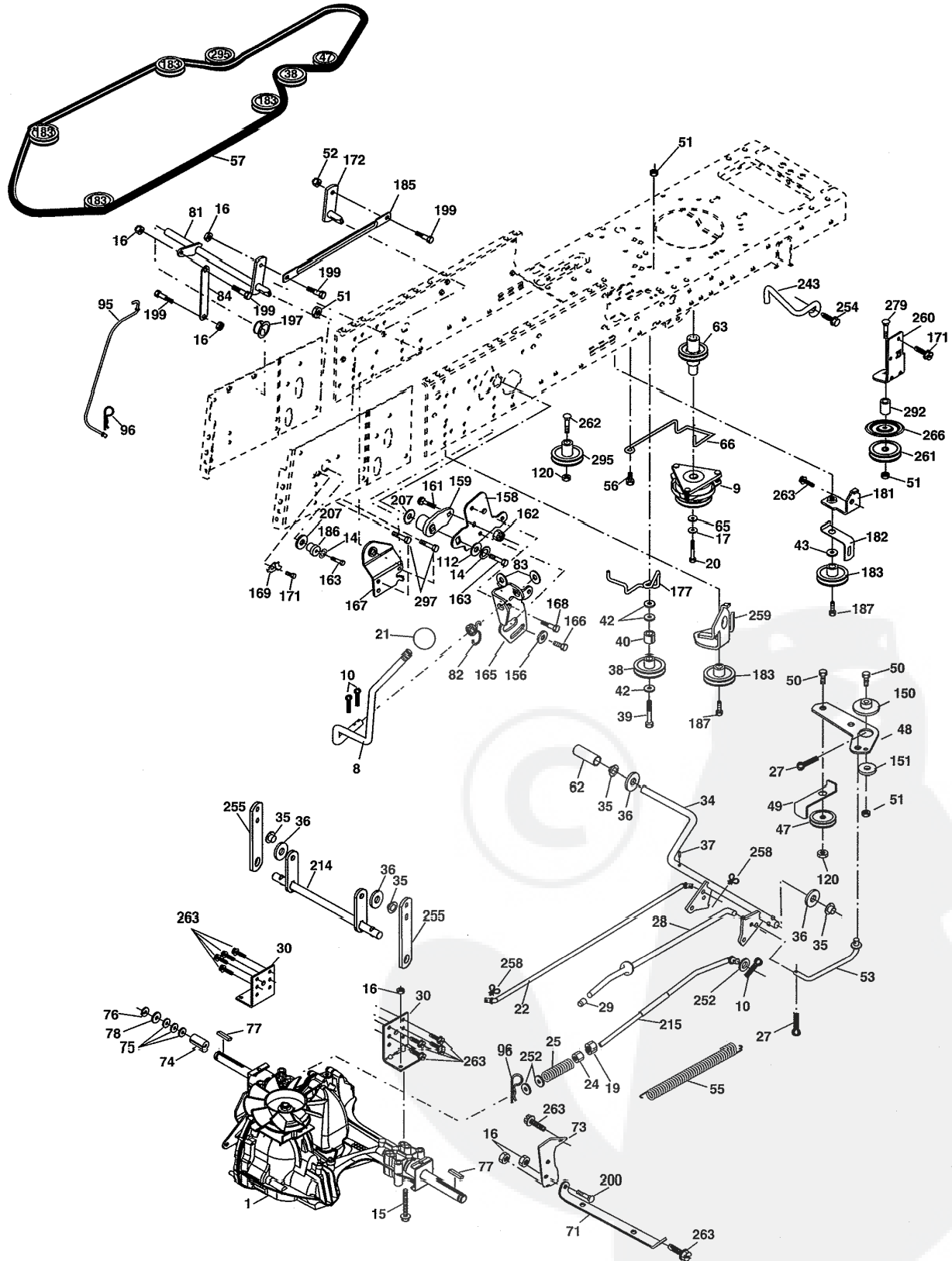




	Key ID	Description
1	174620	CHASSIS
2	180384	DRAWBAR
3	17060612	SCREW 3/8-16 X .75
5	155272	BUMPER HOOD/DASH
6	184419	SADDLE
8	126471X	CLIP INSULATOR 13/32 MTG. HOLE
9	193524X010	DASH
10	72140608	BOLT, CARRIAGE 3/8-16 X 3/4
11	174996	PANEL, DASH, L.H.
13	172105X010	PANEL, ASSEMBLY DASH R.H.
15	74180512	SCREW, MACHINE, TRUSS HEAD 5/16-18 UNC X 3/4
16	73510500	NUT
17	185682X615	HOOD ASSEMBLY
18	184921	BUMPER HOOD
24	74780616	BOLT
25	19131312	WASHER 13/32 X 13/16 X 12 GA.
26	73800600	NUT
28	189207X615	GRILLE
30	192533X615	GRILLE
31	165156	BRACKET, FENDER SUPPORT
33	179716X615	FOOTREST, L.H.
34	179717X615	FOOTREST, R.H.
35	72110606	BOLT
37	17490508	SCREW THDROL 5/16-18 X 1/2 TYT
38	181748	BRACKET ASSEMBLY PIVOT MOWER REAR
39	407807	BRACKET PIVOT
58	184461	DUCT INTAKE AIR
69	142432	SCREW HEX 1/4-1/2
89	192391X428	CONSOLE
145	409167	ROD PIVOT CHASSIS/HOOD
162	180382	BRACKET EXTEN CHASSIS LH CRD
163	180383	BRACKET EXTEN CHASSIS RH CRD
164	165605	SUPPORT BATTERY CRD
165	179020X428	COVER BATTERY CRD
170	199488	BACKPLATE CRD
171	72140620	BOLT RDHD SQNK 3/8-16 X 2-1/2 G5
172	19132016	WASHER 13/32 X 1-1/4 X 16 GA.
173	73510600	NUT, KEPS HEX 3/8-16 UNC
175	188203	TRAP DOOR CRD
179	188202	ROD PIVOT FBI CRD
184	174662	BRACKET ACTUATOR BAGGER CRD
185	179608X505	KNOB ROD
186	160793	LATCH ASSEMBLY MULTCH BAGGER
187	2029J	NUT WELD .327/.304 #10-24
188	19061216	WASHER #10
189	10071000	WASHER LOCK #10
190	71081010	SCREW PAN HD PHILLIPS 10-24 X 5/8
198	168937	NUT PUSH

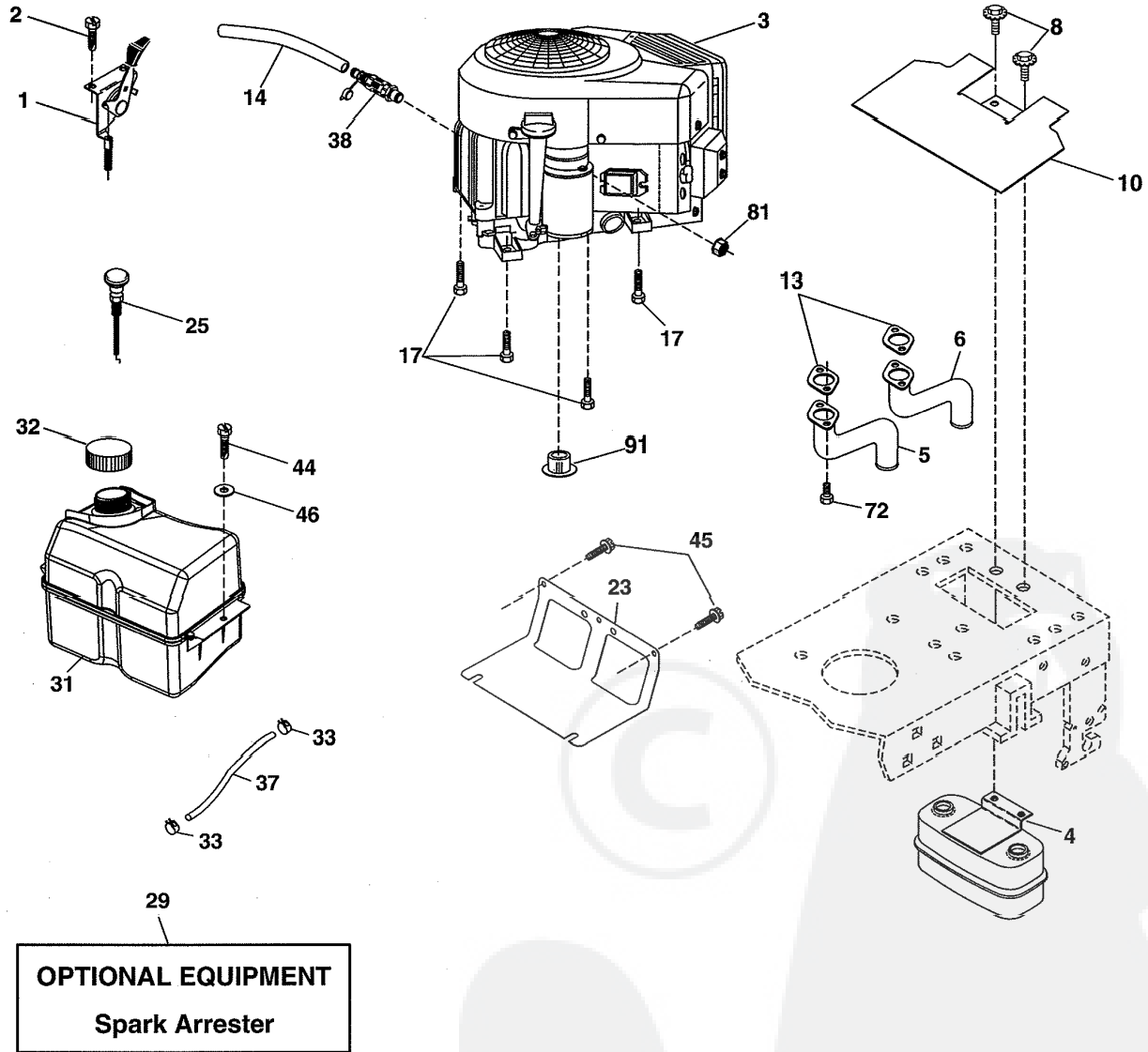
205	17490608	SCREW 3/8-16 X 1/2
207	17670508	SCREW 5/16-18 X 1/2
208	17670608	SCREW THDROL 3/8-16 X 1/2
209	17000612	SCREW HEX WSH THDROL 3/8-16 X 3/4
212	184248	INSERT LENS REFLECTIVE
256	180810X428	COVER FENDER RACK CRD
258	194245X599	LENS RH
259	184246X599	LENS LH
260	184250X418	COVER LENS
261	189211X418	INSERT GRILLE
265	185704	SEAL, SIDE RH
266	185703	SEAL, SIDE LH
278	416358	SCREW #10 X 0.750 BOS THREAD





	Key ID	Description
1	170061	TRANSAXLE HYDRO GEAR 321-0510 (SEE BREAKDOWN)
8	192706	ROD, SHIFT FENDER ADJUST LT
9	198143	CLUTCH
10	76020416	PIN, COTTER 1/8 X 1
14	10040400	WASHER, LOCK HVY HELICAL
15	74490544	BOLT HEX FGHD 5/16-18 X GR. 5
16	73800500	NUT, LOCK HEX W/INS 5/16-18 UNC
17	126197X	WASHER 1-1/2 OD X 15/32 ID X .250
19	73800600	NUT, LOCK HEX W/INS. 3/8-16
20	173937	BOLT HEX 7/16-20 X 4 X GR.5-1.5 THR
21	130564	KNOB
22	175607	ROD, BRAKE
24	73350600	NUT
25	192036	SPRING, ROD, BRAKE
27	76020412	PIN, COTTER 1/8 X 3/4
28	175765	ROD, PARKING BRAKE
29	71673	CAP, PARKING BRAKE
30	169592	BRACKET, MFG. TRANSAXLE
34	175578	SHAFT, ASSEMBLY PEDAL FOOT CRD
35	120183X	BEARING, NYLON
36	19211616	WASHER 21/32 X 1 X 16 GA.
37	1572H	PIN, ROLL 3/16 X 1"
38	165936	PULLEY FLAT COMPOSITE 3.06"
39	74760644	BOLT FIN HEX 3/8-16 UNC X 2-3/4
40	4470J	SPACER, SPLIT 395 X 59 BZP
42	19131312	WASHER 13/32 X 13/16 X 12 GA.
43	19111012	WASHER 11/32 X 5/8 X 12 GA.
47	127783	PULLEY, IDLER, V GROOVE PLASTIC
48	154407	BELLCRANK CLUTCH GRND DRV
49	123205X	RETAINER, BELT STYLE SPRING
50	72110612	BOLT, CARR. 3/8-16 X 1/2 X GR. 5
51	73680600	NUT, CROWNLOCK 3/8-16 UNC
52	73680500	NUT CROWNLOCK 5/16-18
53	199652	LINK, CLUTCH 7.66
55	105709X	SPRING, RETURN, CLUTCH
56	17060620	SCREW 3/8-16 X 1-1/4
57	170140	V-BELT KEV 112" 0650 CRD
62	8883R	COVER, PEDAL
63	180397	PULLEY ENGINE
65	10040700	WASHER
66	154778	KEEPER, BELT ENGINE F-PROOF
71	169183	STRAP, TORQUE, LH
73	169182	STRAP, TORQUE, RH
74	137057	SPACER, SPLIT
75	121749X	WASHER 25/32 X 1-1/4 X 16 GA.
76	12000001	RING, E
77	123583X	KEY, SQUARE
78	121748X	WASHER 25/32 X 1-5/8 X 16 GA.
81	170006	ASSEMBLY, SHAFT
82	165711	SPRING, TORSION
83	19171216	WASHER 17/32 X 3/4 X 16 GA.
84	170007	LINK, TRANSAXLE
95	170015	CONTROL ASSEMBLY BYPASS HYDRO
96	4497H	SPRING, RETAINER 1"
112	10001210	WASHER 9/32 X 3/4 X 10 GA

120	73900600	NUT LOCK FLG. 3/8-16 UNC
150	165850	BUSHING, BELLCRANK GROUND DRIVE
151	19133210	WASHER 13/32 X 2 X 10 GA.
156	166002	WASHER SRRTED 5/16 ID X 1.125
158	165589	BRACKET SHIFT MOUNT
159	183900	HUB SHIFT
161	72140406	BOLT RDHD SQNK 1/4-20 X 3/4 GR. 5
162	73680400	NUT CROWNLOCK 1/4-20 UNC
163	74780416	BOLT HEX FIN 1/4-20 UNC X 1 GR. 5
165	165623	BRACKET PIVOT LEVER
166	17490510	SCREW 5/16-18 X 5/8
167	165588	BRACKET SUPPORT SHIFT CRD
168	165492	BOLT SHOULDER 5/16-18 X .561
169	165580	PLATE FASTENING LT
171	17490608	SCREW THDROL 3/8-16 X 1/2 TY-TT
172	170271	SHAFT ASSEMBLY SHIFTER FRT CRD
177	165932	KEEPER FLAT IDLER 3.06" CRD
181	180211	BRACKET IDLER GROUND DRIVE CRD
182	182682	KEEPER BELT 2.5" OD V-IDLER CRD
183	199534	PULLEY V-IDLER 2.50" OD CRD
185	170008	LINK SHIFT
186	165614	HUB TAPERED ROUND CRD
187	17580520	SCREW THDROL 5/16-18 X 1.25
197	169613	NYLINER SNAP-IN 5/8
199	169612	BOLT SHOULDER 5/16-18 UNC
200	72140508	BOLT RDHD SQNK 5/16-18 X 1
207	169845	WASHER NYLON REAR
214	175609	SHAFT ASSEMBLY BRAKE
215	175652	ROD BRAKE HYDRO
243	190736	BRACKET ANTI-ROTATION
252	19131616	WASHER 13/32 X 1 X 16 GA.
254	17000616	SCREW 3/8-16 X 1
255	175608	BRACE SHAFT BRAKE MTG.
258	178062	CLIP RETAINER
259	180212	BRACKET PULLEY
260	431172	BRACKET IDLER CHASSIS
261	131494	PULLEY IDLER FLAT
262	72110622	BOLT RDHD 3/8-16 UNC X 2-3/4 GR. 5
263	17000612	SCREW 3/8-16 X 3/4
266	182061	SHIELD, IDLER
279	72110616	BOLT RDHD SQNK 3/8-16 UNC X 2
292	400271	SPACER NORAM
295	179114	PULLEY IDLER COMPOSITE
297	17490610	SCREW 3/8-16 X 5/8

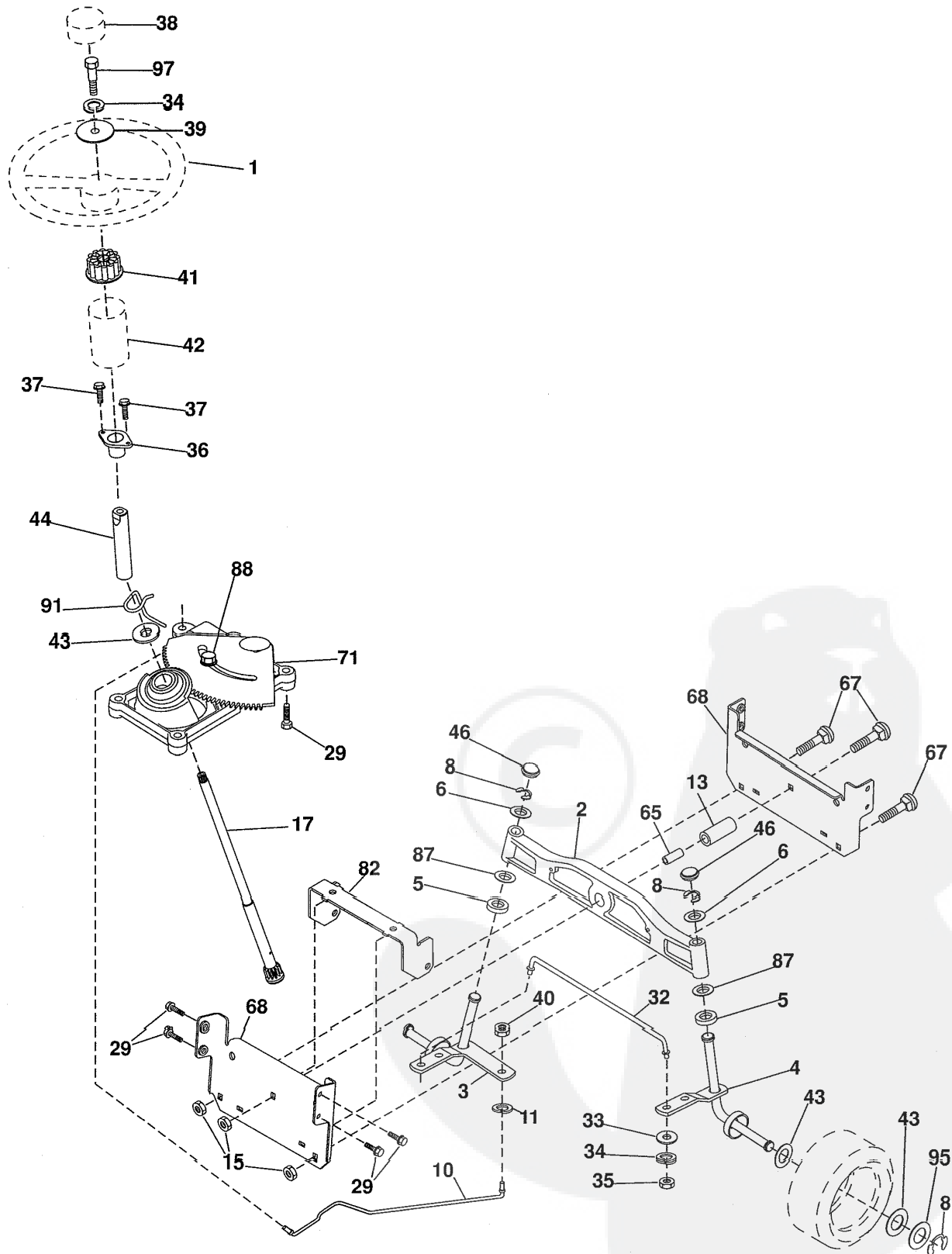


Engine Power Rating Information

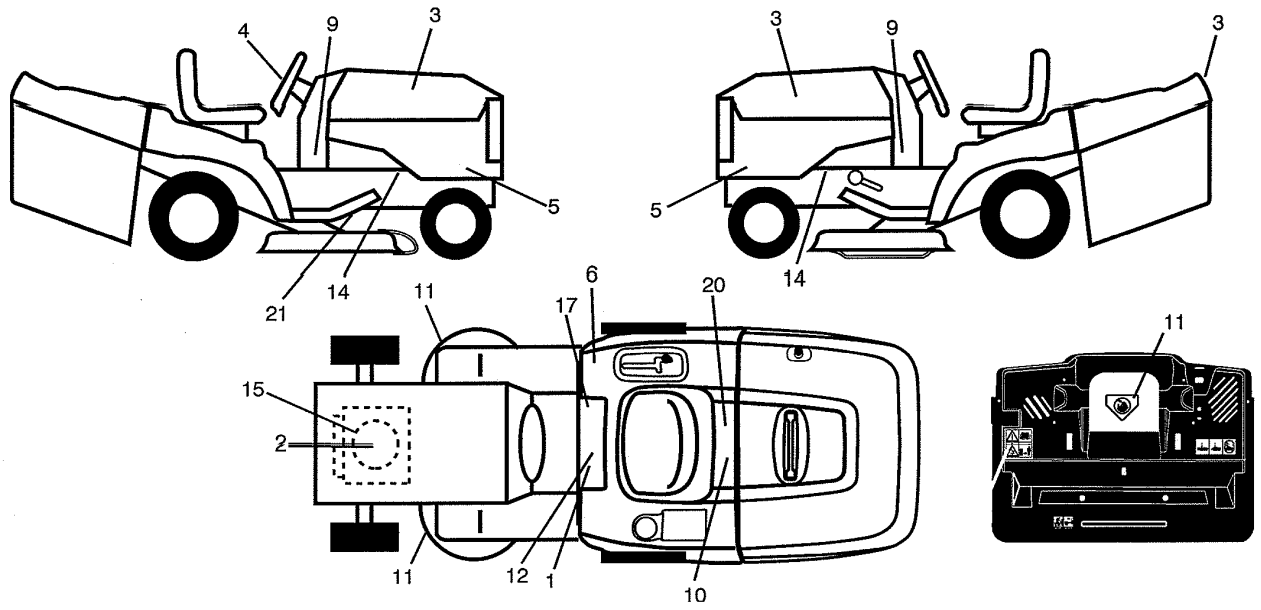
The gross power rating for individual gas engine models is labeled in accordance with SAE (Society of Automotive Engineers) code J1940 (Small Engine Power & Torque Rating Procedure), and rating performance has been obtained and corrected in accordance with SAE J1995 (Revision 2002-05). Torque values are derived at 3060 RPM; horsepower values are derived at 3600 RPM. Actual gross engine power will be lower and is affected by, among other things, ambient operating conditions and engine-to-engine variability. Given both the wide array of products on which engines are placed and the variety of environmental issues applicable to operating the equipment, the gas engine will not develop the rated gross power when used in a given piece of power equipment (actual "on-site" or net power). This difference is due to a variety of factors including, but not limited to, accessories (air cleaner, exhaust, charging, cooling, carburetor, fuel pump, etc.), application limitations, ambient operating conditions (temperature, humidity, altitude), and engine-to-engine variability. Due to manufacturing and capacity limitations, Briggs & Stratton may substitute an engine of higher rated power for this Series engine.

	Key ID	Description
1	170546	CONTROL THROTTLE
2	17720408	SCREW HEX THD CUT 1/4-20 X 1/2
3	442173	ENGINE B&S MODEL 445677-2262-B1 (SEE BREAKDOWN)
4	149723	MUFFLER
5	159955	EXHAUST TUBE LH
6	160589	EXHAUST TUBE RH
8	171877	BOLT 5/16-18 UNC X 3/4 W/SEMS
10	434017	SHIELD BROWNING
13	165391	GASKET MUFFLER
14	148456	TUBE DRAIN OIL EASY
17	17060620	SCREW 3/8-16 X 1-1/4
23	169837	SHIELD BRN/DBR
25	187765X428	CONTROL CHOKE
29	137180	ARRESTOR SPARK
31	407551	TANK FUEL
32	430220	CAP FUEL
33	123487X	CALMP HOSE BLK
37	137040	LINE FUEL
38	428287	VALVE DRAIN OIL
44	17670412	SCREW HEXWSH THDROL 1/4-20 X 3/4
45	17000612	SCREW 3/8-16 X 3/4
46	19091416	WASHER 9/32 X 7/8 X 16 GA.
72	183906	SCREW SOCKET HEAD 5/16-18 X 1
81	73510400	NUT KEPS 1/4-20 UNC
91	187495	BUSHING 1.375 OD



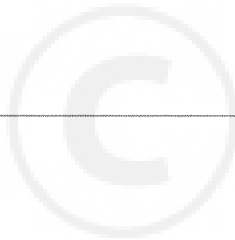
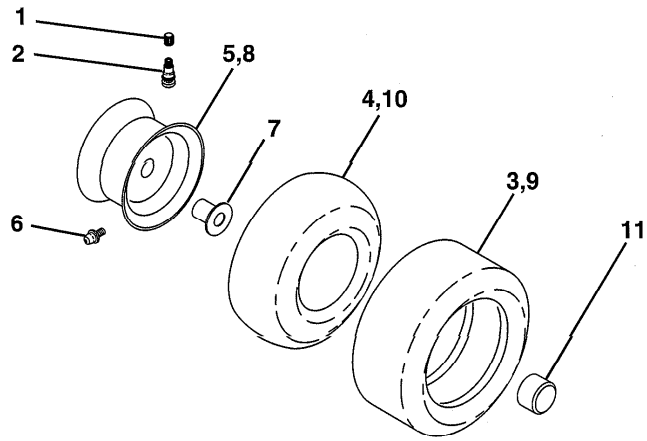


	Key ID	Description
1	414851X428	STEERING WHEEL
2	184706	AXLE ASSEMBLY
3	169840	SPINDLE ASSEMBLY, L.H.
4	169839	SPINDLE ASSEMBLY, R.H.
5	6266H	BEARING, RACE, THRUST, HARDENED
6	121748X	WASHER 25/32 X 1-5/8 X 16 GA.
8	12000029	RING, KLIP
10	175121	LINK, DRAG
11	10040600	WASHER, LOCK
13	136518	SPACER BRG AXLE FRONT
15	73900600	NUT, FLANGE LOCK
17	190753	SHAFT, STEERING
29	17000612	SCREW, 3/8-16 X 3/4
32	171888	ROD, TIE
33	19111216	WASHER 11/32 X 3/4 X 16 GA.
34	10040500	WASHER LOCK HVY HLCL SPR 5/16
35	73540500	NUT CROWNLOCK 5/16-24 UNF
36	155099	BUSHING, STEERING
37	152927	SCREW TT #10-32 X 5 X 3/8 FLANGE
38	414852X428	CAP WHEEL STEER
39	19113812	WASHER 11/32 X 2 3/8 X 12 GA.
40	73540600	NUT 3/8-24 UNF
41	186737	ADAPTOR, STEERING WHEEL
42	145054X428	BOOT, STEERING DASH P/L MTL
43	121749X	WASHER 25/32 X 1-1/4 X 16 GA.
44	190752	EXTENSION STEERING
46	184946X505	CAP, SPINDLE
65	414736	SPACER BRACE AXLE
67	72110618	BOLT RDHD SQ 3/8-16 UNC X 2-1/4
68	169827	BRACE AXLE
71	175146	STEERING ASSEMBLY
82	199978	BRACKET SUSP CHASSIS FRONT
87	173966	WASHER FLAT .781 X 1-1/2 X .17
88	175118	BOLT SHOULDER 7/16-20 UNC
91	175553	CLIP STEERING
95	188967	WASHER HARDENED
97	428982	BOLT 5/16-18 X 4



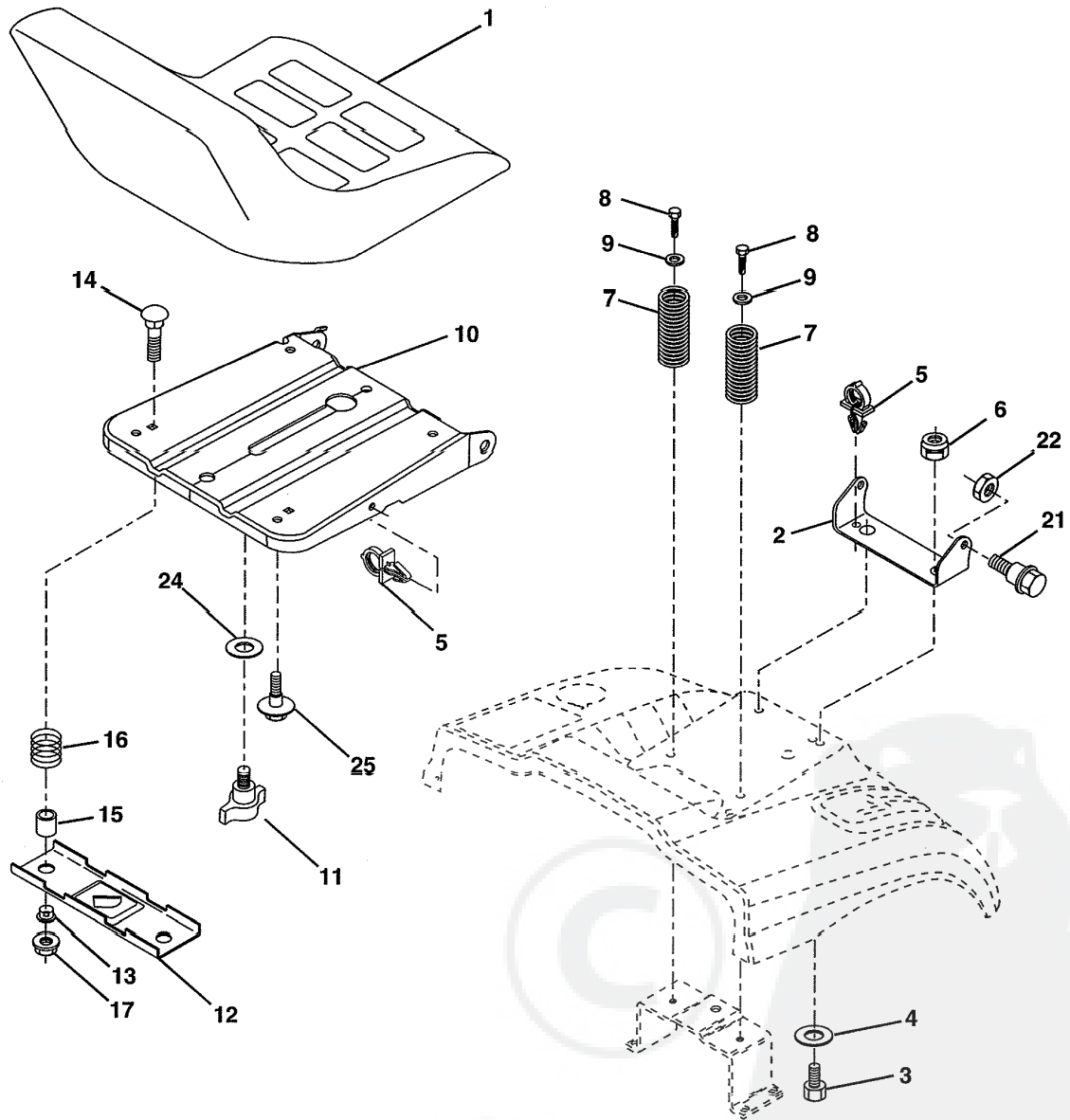
	Key ID	Description
1	400389	DECAL, WARNING SYMS. CE
2	429562	DECAL, HP ENGINE
3	425123	DECAL, HOOD RH/LH
4	422885	DECAL, STEERING WHEEL
5	403415	DECAL, HOOD SIDE
6	180432	DECAL, 100 DBA/CE
9	425787	DECAL, DASH LOWER
10	145005	DECAL, BAT DAN/POI P/L SYM WPN
11	182166	DECAL, MOWER CUT FINGER SYMBOL
12	159737	DECAL, BRAKE/CLUTCH SYMBOL LT
14	159736	DECAL, CHASSIS HIT MUFFLER
15	196841	DECAL, WARNING ENG. SYMBOLS
17	140837	DECAL, SADDLE BRAKE PARKING
20	166960	DECAL, BYPASS FENDER CRD
21	166286	DECAL, HEX BELT SCH





	Key ID	Description
1	59192	CAP VALVE TIRE
2	65139	STEM VALVE
3	106222X	TIRE F TS 15 X 6 0 - 6 SERVICE
4	59904	TUBE INNER FRONT #35060
5	106732X613	RIM ASSEMBLY 6" FRONT SERVICE
6	278H	FITTING GREASE
7	9040H	BEARING FLANGE
8	106108X613	RIM ASSEMBLY 8" REAR SERVICE
9	138468	TIRE R TS 20 X 8-8 SERVICE
10	7152J	TUBE REAR 9 5 X 8 SERVICE
11	104757X428	CAP AXLE BLK 1 50 X 1 00

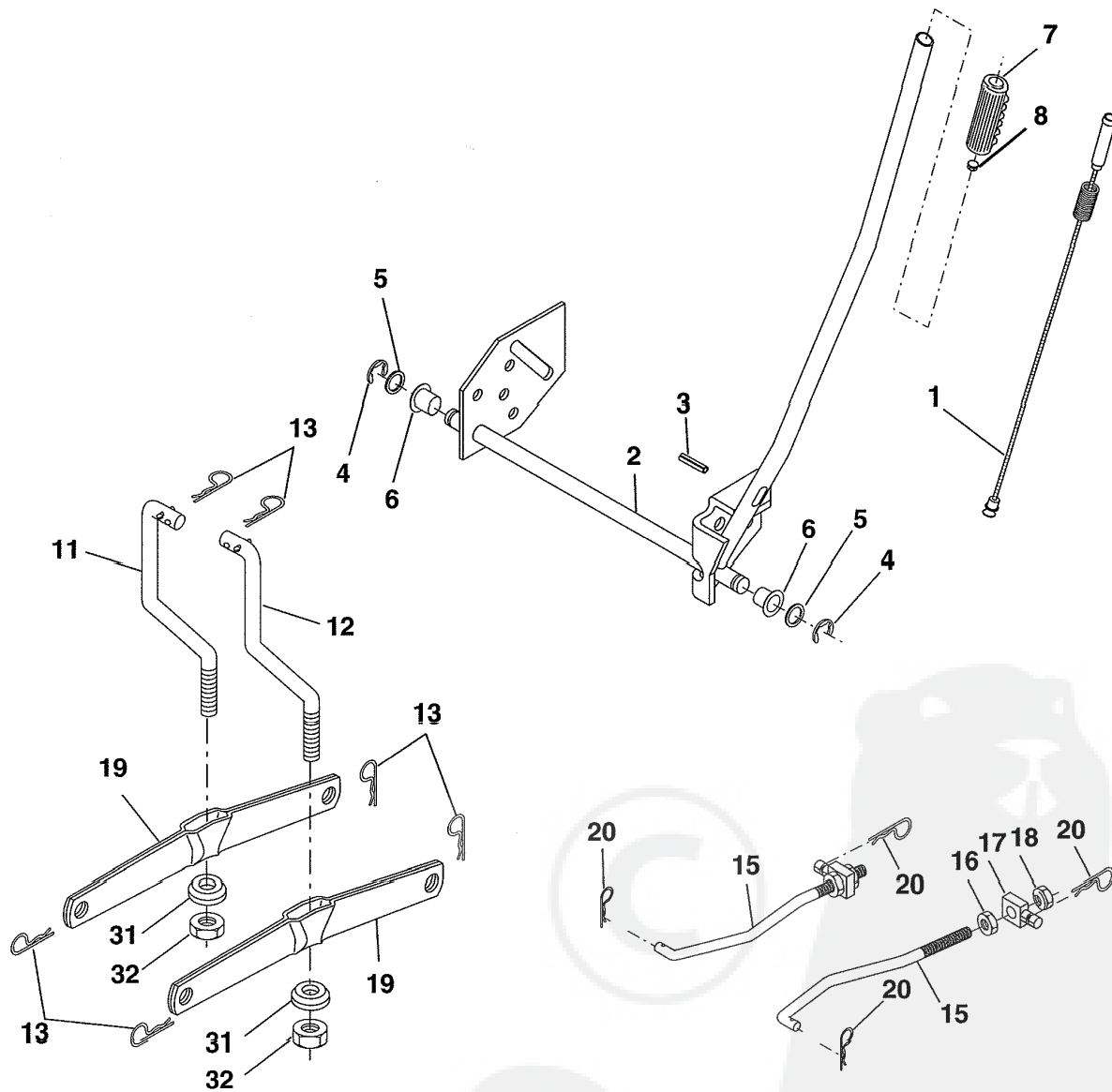




	Key ID	Description
1	188714	SEAT
2	140551	BRACKET PNT PIVOT SEAT (BLK)
3	71110616	BOLT FIN HEX 3/8-16 UNC X 1
4	19131610	WASHER FLAT 13/32 X 1 X 10 GA.
5	145006	CLIP PUSH IN HINGED
6	73800600	NUT LOCK HEX 3/8-16 UNC
7	124181X	SPRING SEAT CPRSN 2 250 BLK ZI
8	17000616	SCREW 3/8-16 X 1-1/2
9	19131614	WASHER 13/32 X 1 X 14 GA.
10	195530	PAN PNT SEAT (BLK)
11	166369	KNOB SEAT ADJ WINGNUT
12	174648	BRACKET PNT MOUNTING SWITCH
13	121248X	BUSHING SNAP BLK NYL 50 ID
14	72050412	BOLT RDHD SHT NK 1/4-20 X 1-1/2
15	121249X	SPACER SPLIT
16	123740X	SPRING CPRSN
17	123976X	NUT LOCK 1/4 LGE FLG GR. 5 ZINC
21	171852	BOLT SHOULDER 5/16-18 UNC-2A
22	73800500	NUT HEX LOCK W/INS 5/16-18
24	19171912	WASHER 17/32 X 1-3/16 X 12 GA.
25	127018X	BOLT SHOULDER 5/16-18 X .62

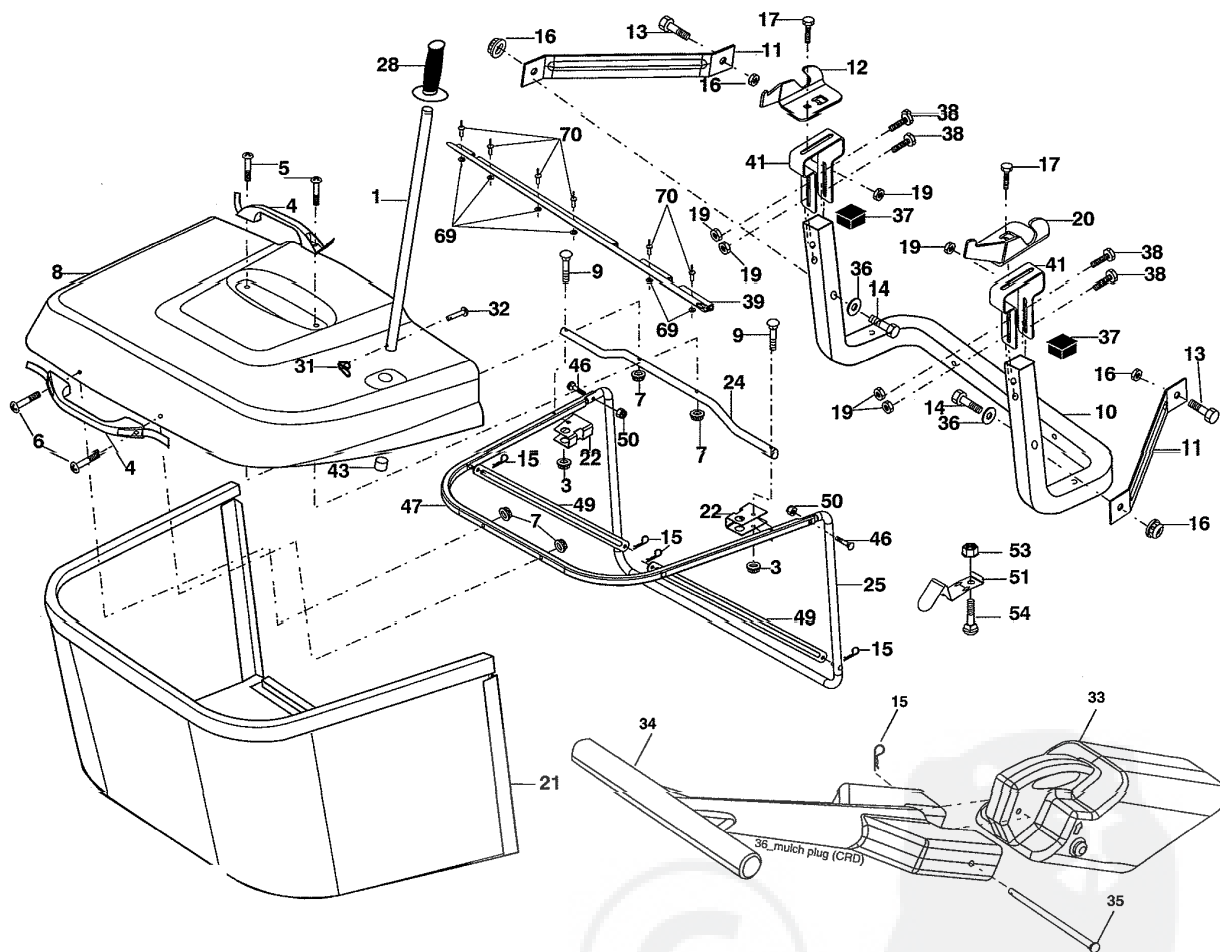


	Key ID	Description
26	400110	BRACE SUPPORT SUSP FRT CRD
27	169172	BRACKET ASSEMBLY SUSP RR
28	169168	BRACKET ASSEMBLY SUSP LR
30	173984	SCREW THD ROLLING
31	187690	WASHER SPACER
32	198145	MANDREL PULLEYS
33	400234	NUT FLG TOP LOCK
34	400103	BRACKET GAUGE WHEEL LF
35	400104	BRACKET GAUGE WHEEL RF
36	146763	PULLEY IDLER V-GROOVE DIM 4.25
38	169851	SPACER HUB ARM IDLER 107 CRD
39	72110622	BOLT RDHD 3/8-16 UNC X 2-3/4 GR. 5
40	73680600	NUT CROWNLOCK 3/8-16 UNC
41	73900600	NUT 3/8-16
44	732773	COVER MANDREL LH
45	432772	COVER MANDREL RH
55	169849	ARM IDLER 107 CRD
61	199487	SPRING TENSION BELT
68	402009	BELT
69	165482	SHAFT ASSEMBLY W/LWR BRG RH THD CRD
84	156085	KEEPER BELT IDLER
116	193406	BOLT SHOULDER
117	174873	WHEEL GAUGE
119	19132012	WASHER 13/32 X 1-1/4 X 12
124	72110612	BOLT CARR SH 3/8-16 X 1-1/2 GR. 5
130	72110506	BOLT RDHD SQNK 5/16-18 UNC X 3/4
131	165661	CHUTE BAGGER CRD 92CM
161	180424	BLADE CROSS LH
162	180878	ADAPTER WELDMNT BLADE
163	180425	BLADE CROSS RH
164	3366R	BEARING COL. STRG.
260	17670608	SCREW THDROL 3/8-16 X 1/2
	181857	MANDREL ASSEMBLY (INCLUDES HOUSING, SHAFT ASSEMBLY, AND BEARING ONLY-PULLEY/NUT/WASHER AND BLADE BOLT/WASHERS NOT INCLUDED)
	181858	MANDREL ASSEMBLY CRD LH THREADS SVC
	432502	DECK MOWER COMPLETE (ORDER SEPARATELY GAUGE WHEEL COMPONENTS KEY NOS. 116-119)

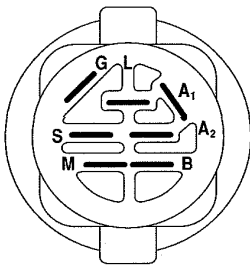
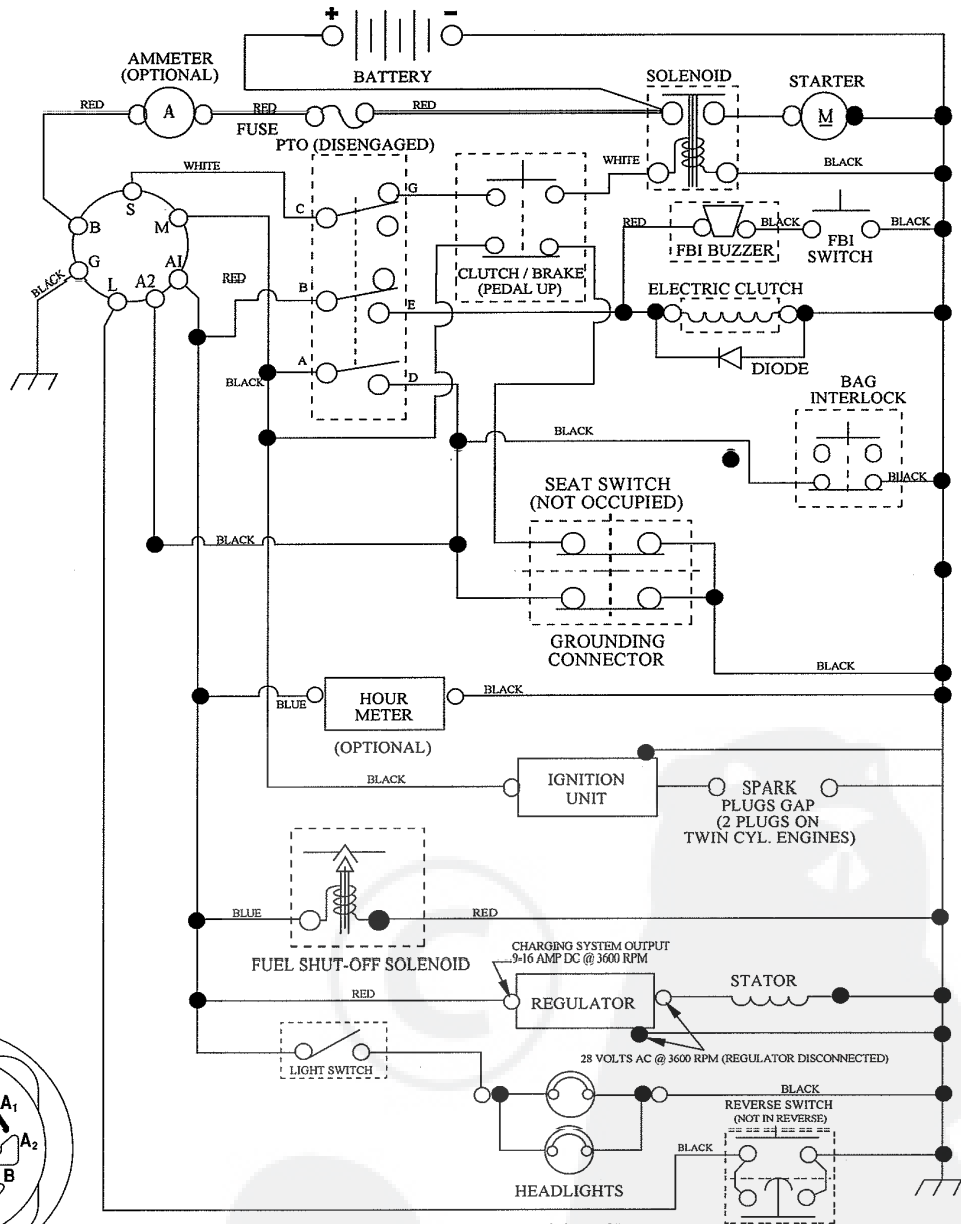


	Key ID	Description
1	404981	PLUNGER ASSEMBLY LIFT LEVER
2	159471	SHAFT ASSEMBLY LIFT
3	105767X	PIN GROOVE
4	12000002	E RING #5133-62
5	19211621	WASHER 21/32 X 1 X 21 GA.
6	120183X	BEARING NYLON
7	125631X	GRIP HANDLE FLUTED
8	122365X	BUTTON PLUNGER RED
11	165829	LINK ASSEMBLY LIFT L.H.
12	165831	LINK ASSEMBLY LIFT R.H.
13	4939M	RETAINER SPRING
15	173288	LINK FRONT
16	73350800	NUT JAM HEX 1/2-13 UNC
17	175689	TRUNNION BLK ZINC
18	73800800	NUT LOCK W/WSH 1/2-13 UNC
19	139868	ARM SUSPENSION MOWER
20	194209	PIN COTTER 7/16 BOWTIE LOCK
31	169865	BEARING, PVT. LIFT.
32	73540600	NUT CROWNLOCK 3/8-24





	Key ID	Description
1	428610	TUBE HANDLE BAGGER CRD
3	123976X	NUT LOCK 1/4 LGE FLG GR. 5 ZINC
4	169916	HANDLE BAGGER W/LVRS GR. 5 ZINC
5	74981024	SCREW PAN HEAD #10-24 X 1.50 BLK
6	74981032	SCREW PAN HD
7	73401000	NUT WIZ LOCK HEX SERR/HD #10-24
8	435604X615	COVER BAGGER
9	72140418	BOLT CARRIAGE 1/4-20 X 2.25D X GR. 5
10	181282	TUBE SUPPORT BAGGER CRD
11	165719	BRACKET SUPPORT UPPER BAG CRD
12	188848	BRACKET PIVOT LH
13	74760612	BOLT FIN HEX 3/8-16 UNC
14	74520636	BOLT FIN HEX 3/8-16 X 2-1/4 GR. 5
15	4939M	RETAINER SPRING
16	73900600	NUT LOCK FLG 3/8-16 UNC
17	72140506	BOLT RDHD SHT SQNK 5/16-18 UNC X 3/4
19	73900500	NUT LOCK HEX FLANGE 5/16-18
20	188847	BRACKET PIVOT RH
21	406180	BAG ASSEMBLY CRD
22	428236	BRACKET SIDE BAGGER CRD
24	165783	TUBE PIVOT BAGGER CRD
25	193705	TUBE FRONT BAGGER CRD
28	165787	GRIP HANDLE BLACK
31	169484	RETAINER CLIP
32	126875X	RIVET RD HD DRILLED 3/8 DIA
33	428683	PLUG MULCH
34	165570	HANDLE MULCHER
35	165572	PIN MULCHER
36	19132012	WASHER 13/32 X 1-1/4 X 12 GA.
37	175401	PLUG SUPPORT BAGGER CRD
38	72010520	BOLT 5/16-18 X 2-1/2
39	416257	SEAL
41	432755	BRACKET ELECTRIC BAGGER CRD
43	174083	PLUG TUBING END
46	72110510	BOLT CARR. 5/16-18 X 1-1/4 GR. 5
47	193704	TUBE UPPER
49	193305	BAR SPREADER
50	73800500	NUT LOCK HEX W/INS. 5/16-18 UNC
51	199903	LATCH SPRING BAGGER
53	73510400	NUT KEPS HEX 1/4-20 UNC
54	72140406	BOLT RDHD SQNK 1/4-20 UNC
69	435611	WASHER .125
70	435603	RIVET POP .125 X .750



IGNITION SWITCH

POSITION	CIRCUIT	"MAKE"
OFF	M+G+A1	
RUN/OVERRIDE	B+A1	
RUN	B+A1	L+A2
START	B+S+A1	

03048

WIRING INSULATED CLIPS
NOTE: IF WIRING INSULATED CLIPS WERE REMOVED FOR SERVICING OF UNIT, THEY SHOULD BE RE-INSTALLED TO PROPERLY SECURE YOUR WIRING.

PTO SWITCH	
POSITION	CIRCUIT
OFF	C + G, B + H
ON	C + F, B + E, A + D



RELAY



NON-REMOVABLE CONNECTIONS

REMOVABLE CONNECTIONS