

**REPAIR PARTS MANUAL**  
**MODEL NO. LZ125H92 (96011007100)**  
**Lawn Tractor**

---

**LAZER<sup>®</sup>**

532 19 61-66 12.29.04 RD  
PRINTED IN U.S.A.

## HOW TO USE THIS MANUAL

This manual is designed to provide the customer with a means to identify the parts on his/her tractor when ordering repair parts. The illustrations may or may not represent the actual assemblies; therefore, it is not recommended to use this manual as a guide to assemble or disassemble the tractor. Some hardware and parts are drawn larger in order to more readily identify them.

Each tractor has its own model number.

The model number for your tractor can be found on the fender under the seat.

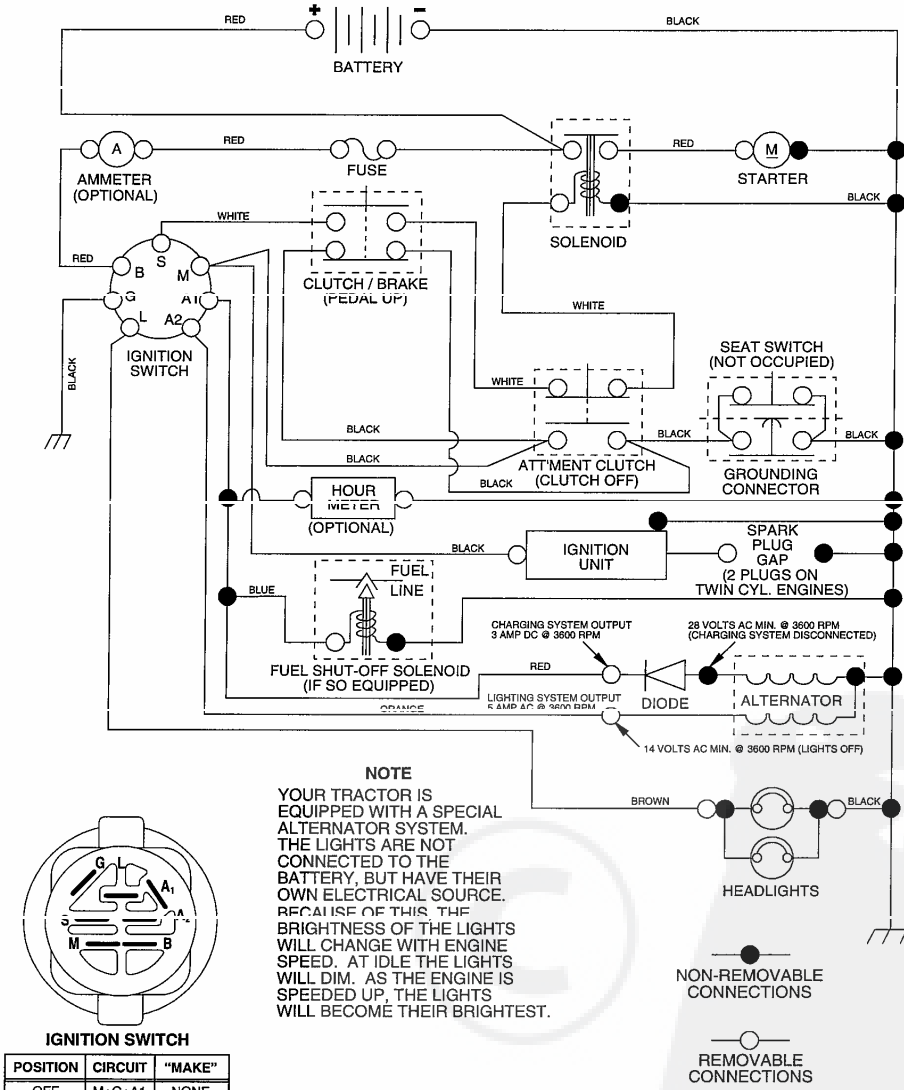
When ordering parts, always give the following information:

- Product - "Lawn Tractor"
- Model Number - LZ125H92 (96011007100)
- Part Number
- Part Description

## TABLE OF CONTENTS

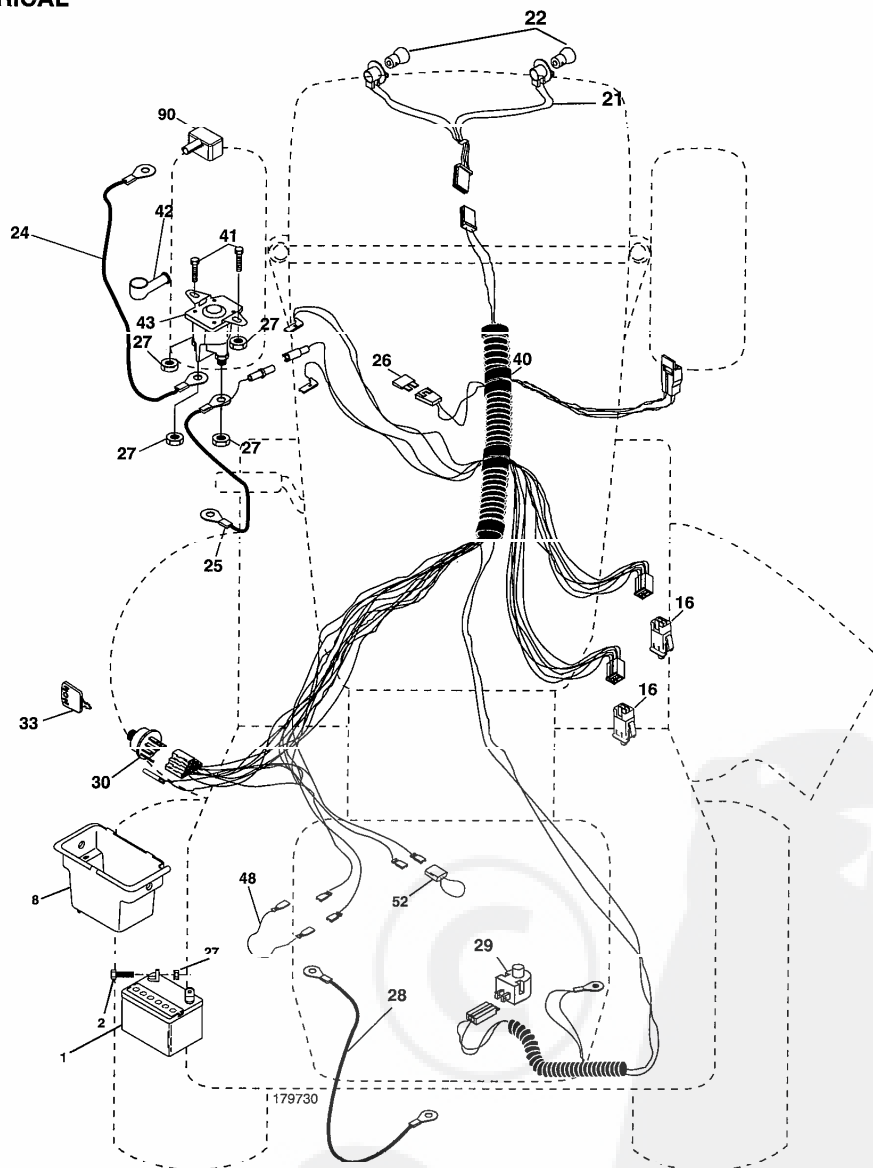
<b>SCHEMATIC</b> .....	<b>3</b>
<b>ELECTRICAL</b> .....	<b>4-5</b>
<b>CHASSIS AND ENCLOSURES</b> .....	<b>6-7</b>
<b>DRIVE</b> .....	<b>8-9</b>
<b>STEERING WHEEL</b> .....	<b>10-11</b>
<b>SEAT</b> .....	<b>12</b>
<b>DECALS</b> .....	<b>13</b>
<b>ENGINE</b> .....	<b>14</b>
<b>MOWER LIFE</b> .....	<b>15</b>
<b>MOWER DECK</b> .....	<b>16-17</b>
<b>WARRANTY</b> .....	<b>19-20</b>

**TRACTOR-MODEL NUMBER LZ125H92 (96011007100), PRODUCT NO. 960 11 00-71  
SCHEMATIC**



# REPAIR PARTS

TRACTOR-MODEL NUMBER LZ125H92 (96011007100), PRODUCT NO. 960 11 00-71  
ELECTRICAL

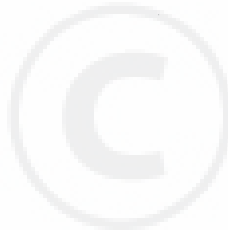


## REPAIR PARTS

TRACTOR-MODEL NUMBER LZ125H92 (96011007100), PRODUCT NO. 960 11 00-71  
ELECTRICAL

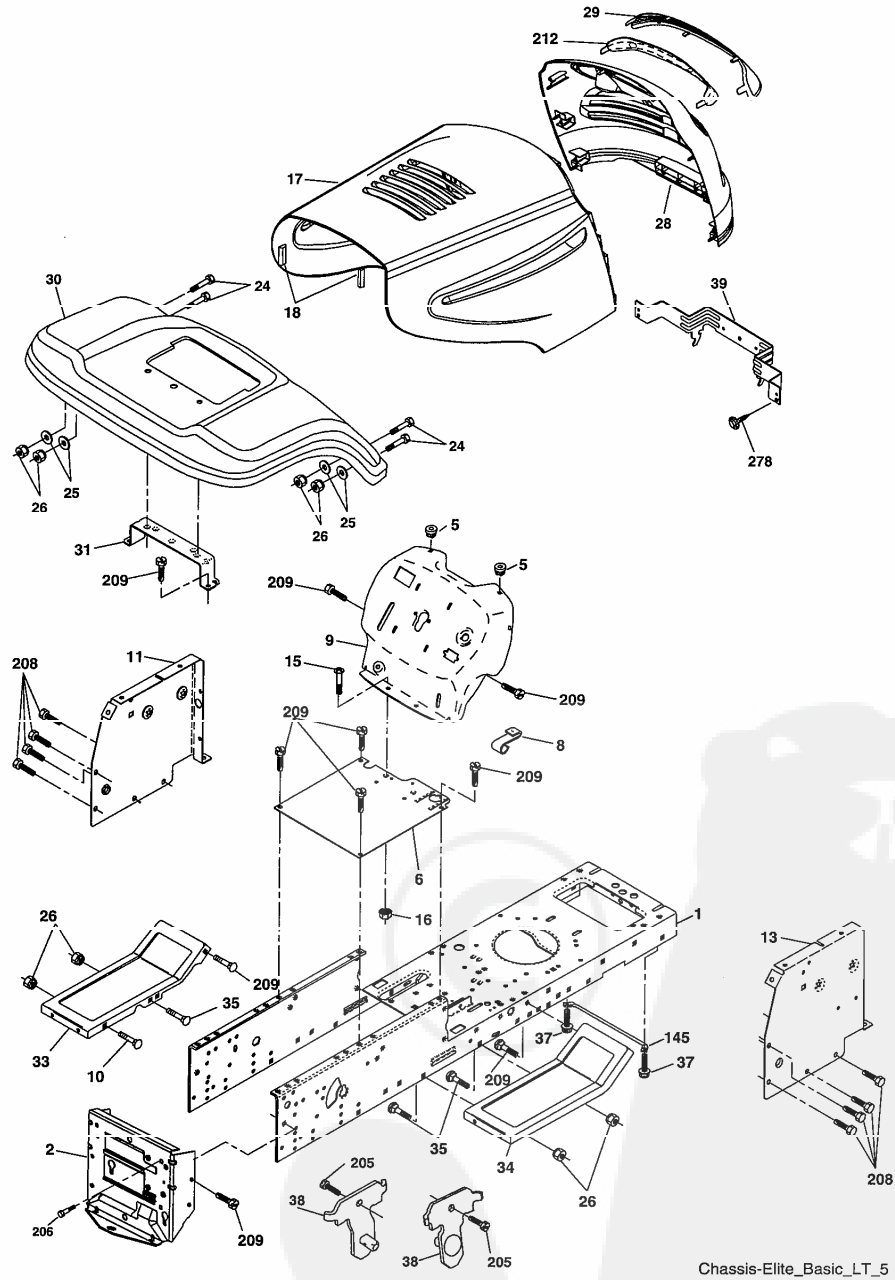
KEY NO.	PART NO.	DESCRIPTION
1	532 16 34-65	Battery
2	874 76 04-12	Bolt Hex Hd 1/4-20 unc x 3/4
8	532 17 66-89	Box Battery Fender
16	532 17 61-38	Switch Interlock
21	532 18 37-59	Harness Asm. Light
22	532 12 46-70	Brush
24	532 12 47-80	Cable Battery 6 Ga. 11" Red
25	532 14 61-47	Cable Battery 6 Ga. Red w/16 wir
26	532 17 51-58	Fuse
27	873 51 04-00	Nut Keps Hex 1/4-20 unc
28	532 12 47-73	Cable Ground 6 Ga. 12" black
29	532 12 13-05	Switch Plunger Nc Gray
30	532 17 55-66	Switch Ign
33	532 14 04-01	Key
40	532 17 97-20	Harness Ign.
41	871 11 04-08	Nut Rlk Fin Hex 1/4 - 20 x 1/2
42	532 13 15-63	Cover Terminal Red
43	532 17 88-61	Solenoid
48	532 14 08-44	Adapter Ammeter Rectangular
90	532 18 04-49	Cover Terminal Battery

**NOTE:** All component dimensions given in U.S. inches.  
1 inch = 25.4 mm.



# REPAIR PARTS

TRACTOR-MODEL NUMBER LZ125H92 (96011007100), PRODUCT NO. 960 11 00-71  
CHASSIS



Chassis-Elite\_Basic\_LT\_5

## REPAIR PARTS

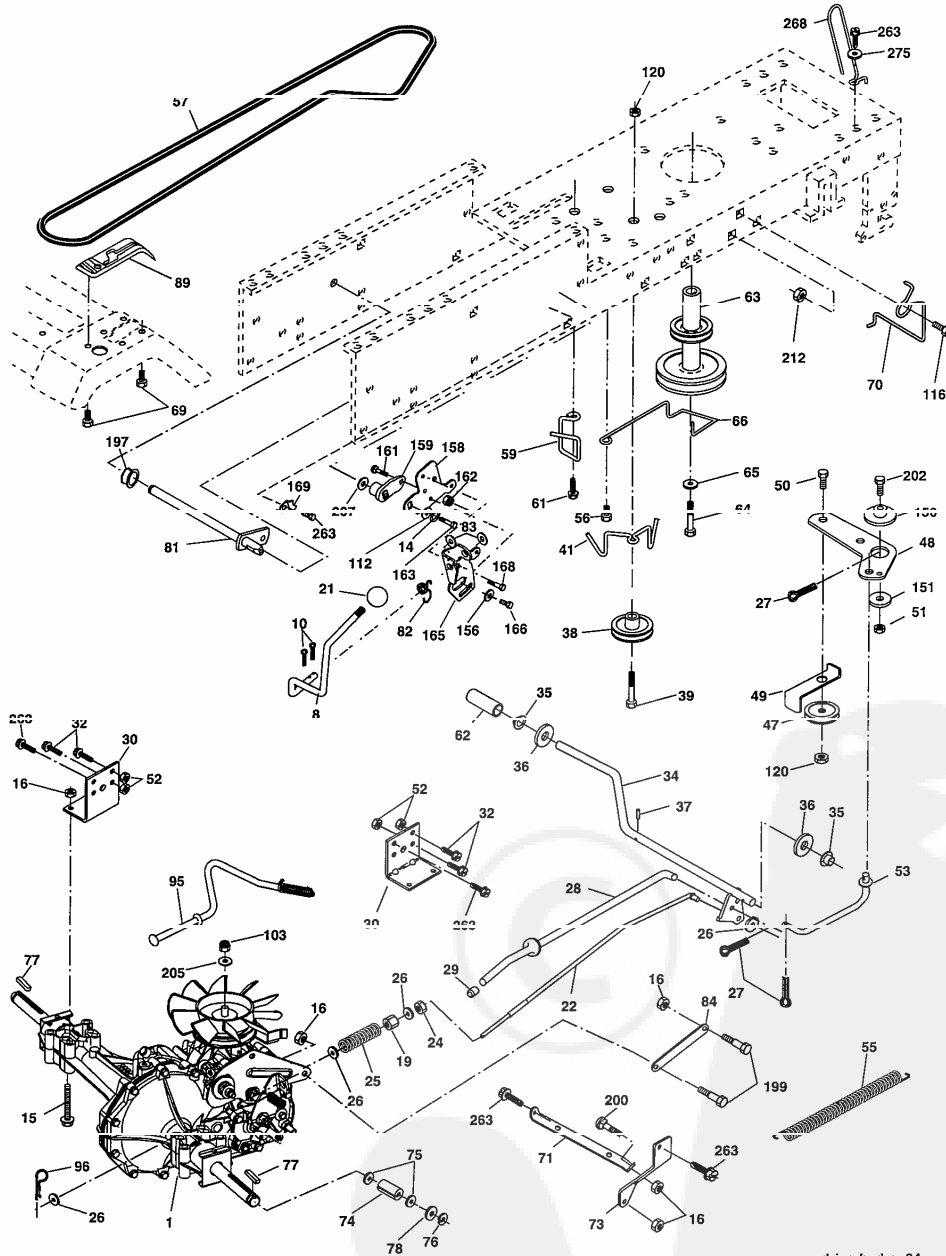
TRACTOR-MODEL NUMBER LZ125H92 (96011007100), PRODUCT NO. 960 11 00-71  
CHASSIS

KEY NO.	PART NO.	DESCRIPTION
1	532 17 46-20	Chassis
2	532 17 65-54	Drawbar
5	532 15 52-72	BumperHood/Dash
6	532 18 44-19	Saddle
8	532 15 51-38	Clip, Retainer Slide-On
9	532 19 46-88	Dash
10	872 14 06-08	Roll, Carriage 3/8-16 x 1
11	532 17 49-96	Dashboard, Panel LH
13	532 18 69-52	Dashboard, Panel RH
15	874 18 05-12	Machine screw 5/16-18 unc x 3/4
16	873 51 05-00	Nut, Keps 5/16-18 unc
17	532 18 67-07	Hood Pnt
18	532 18 49-21	BumperHood
24	874 78 06-16	Bolt, Hex Head, Fin. 3/8-16 x 1 Gr. 5
25	819 13 13-12	Washer 13/32 x 13/16 x 12 Ga.
26	873 80 06-00	Nut Lock Hex w/Ins. 3/8-16 unc
28	532 18 38-26	Grille (Includes key nos. 29 & 212)
29	532 18 98-37	Lens Grille
30	532 19 58-55	Fender
31	532 13 66-19	Fender Bracket
33	532 18 11-93	Footrest, LH
34	532 18 11-94	Footrest, RH
35	872 11 06-06	Bolt 3/8-16 x 3/4
37	817 49 05-08	Screw Thdrol 5/16-18 x 1/2
38	532 17 57-10	Bracket Asm. Pivot Mower Rear
39	532 17 47-14	Bracket Pivot
145	532 15 65-24	Rod Pivot Chassis/Hood
205	817 49 06-08	Screw Thdrol 3/8-16 x 1/2
206	532 17 01-65	Bolt Shoulder 5/16-18 TT
208	817 67 06-08	Screw Thdrol 3/8-16 x 1/2
209	817 00 06-12	Screw Hexwsh Thdr 3/8-16 x 3/4
212	532 18 38-23	Insert Lens Reflective
278	532 19 16-11	Screw 10 x 3/4 Single Lead Hex
--	532 00 54-79	Button Plug
--	532 19 39-35	Plug Switch Light

**NOTE:** All component dimensions given in U.S. inches.  
1 inch = 25.4 mm.

# REPAIR PARTS

TRACTOR-MODEL NUMBER LZ125H92 (96011007100), PRODUCT NO. 960 11 00-71  
DRIVE



drive-hydro\_34



## REPAIR PARTS

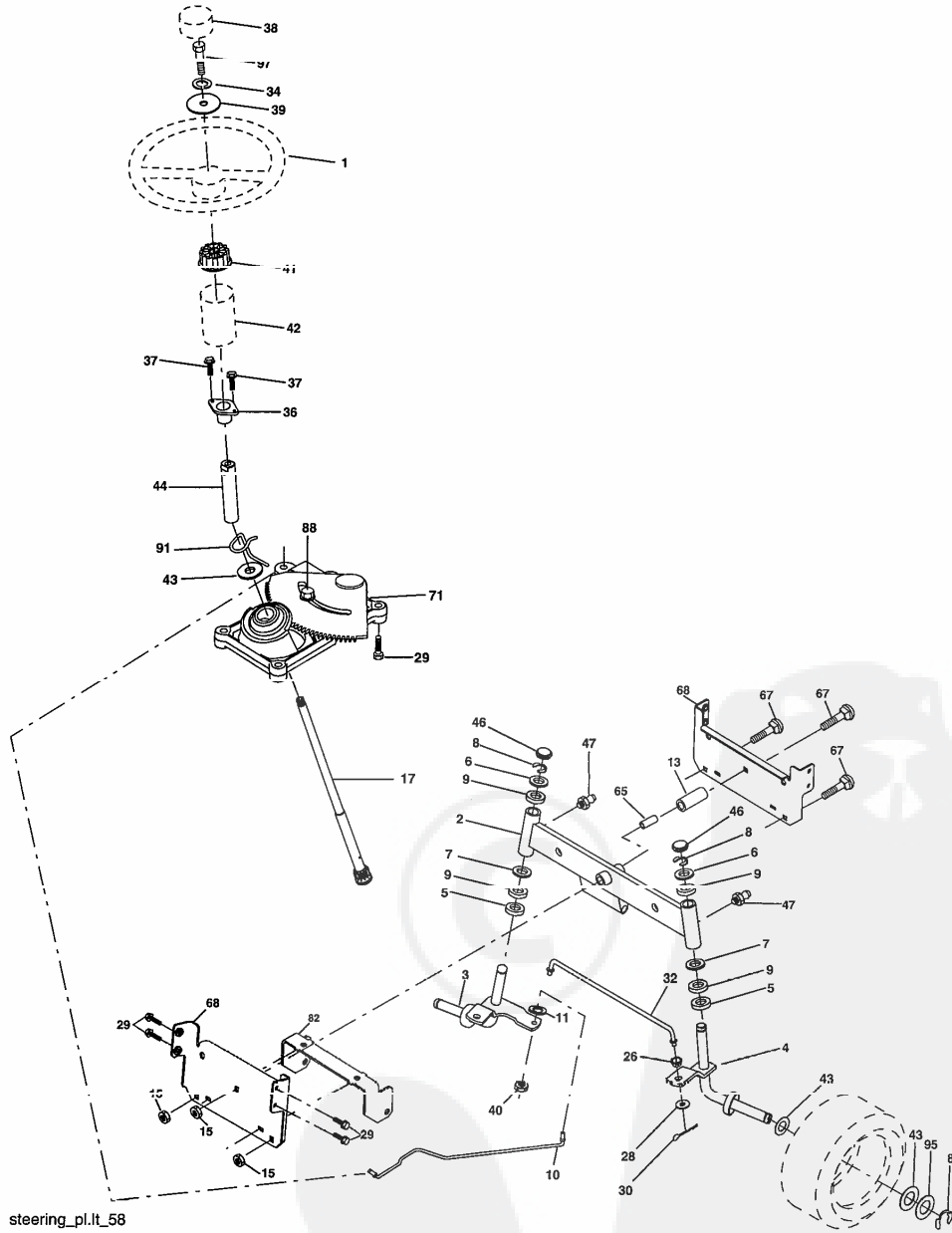
TRACTOR-MODEL NUMBER LZ125H92 (96011007100), PRODUCT NO. 960 11 00-71  
DRIVE

KEY NO.	PART NO.	DESCRIPTION	KEY NO.	PART NO.	DESCRIPTION
1	-----	Transaxle, Hydro 322-0510 (Order parts from transaxle manufacturer)	71	532 10 01-02	Strap Torque RH
8	532 19 27-06	Rod Shifter Fender Adj Lt	73	532 16 91-83	Strap Torque LH
10	876 02 04-16	Pin Cotter 1/8 x 1 Cad	74	532 13 70-57	Spacer Axle
14	810 04 04-00	Washer Lock Hvy Helical 1/4	75	532 12 17-49	Washer 25/32 x 1 1/4 x 16 Ga.
15	874 49 05-44	Bolt Hex FLGHD 5/16-18 Gr. 5	76	812 00 00-01	E-ring #5133-75
16	873 80 05-00	Nut Lock	77	532 12 35-83	Key Square 2 0 x 1845/ 1865
19	873 80 06-00	Nut Lock 3/8-16 u6nc	78	532 12 17-48	Washer 25/32 x 1-5/8 x 16 Ga.
21	532 10 69-33	Knob	81	532 16 55-96	Shaft Asm Cross Tapered 20"t
22	532 16 94-98	Rod Brake Blk Zinc 26 840	82	532 16 57-11	Spring Torsion T/a
24	873 35 06-00	Nut Hex Jam 3/8-16 unc	83	819 17 12-16	Washer 17/32 x 3/4 x 16 Ga.
25	532 10 68-88	Spring Rod Brake 2 00 Zinc	84	532 10 96-43	Link Transaxle
26	819 13 13-16	Washer 13/32 x 13/16 x 16 Ga.	89	532 19 49-72	Console Shift LT
27	876 02 04-12	Pin Cotter 1/8 x 3/4 Cad	95	532 17 02-01	Control Asm Bypass
28	532 17 57-65	Rod Brake Parking	96	532 12 47-88	Retainer Spring
29	532 07 16-73	Cap Brake Parking	103	873 94 08-00	Nut Hex Jam Toplock 1/2-20 UNF
30	532 17 49-73	Bracket Mtg Transaxle	112	819 09 12-10	Washer 9/32 x 3/4 x 10 Ga.
32	874 76 05-12	Bolt Hex Hd 5/16-18 unc x 3/4	116	872 14 06-08	Bolt Rdhd Sq Neck 3/8-16 x 1.00
34	532 17 55-78	Shaft Asm Pedal Foot	120	873 90 06-00	Nut Lock Flg 3/8-16
35	532 12 01-83	Bearing Nylon Blk 629 Id	150	532 17 54-56	Spacer Retainer
36	819 21 16-16	Washer 21/32 x 1 x 16 Ga.	151	819 13 32-10	Washer 13/32 x 2 x 10
37	532 12 49-63	Pin Roll 3/16 x 1"	153	532 10 00-02	Washer Sintered 5/16 ID x 1.125
38	532 17 91-14	Pulley Idler Composite	158	532 16 55-89	Bracket Shift Mount
39	872 11 06-22	Bolt RDHD 3/8-16 unc x 2-3/4 Gr. 5	159	532 18 39-00	Hub Shift
41	532 17 55-56	Keeper Belt Retainer Idler	161	872 14 04-06	Bolt Rdhd Sqnk 1/4-20 x 3/4 Gr. 5
47	532 12 77-83	Pulley Idler V Groove Plastic	162	873 68 04-00	Nut Crownlock 1/4-20 unc
48	532 15 44-07	Bellcrank Asm	163	874 78 04-16	Bolt Hex Fin 1/4-20 unc x 1 Gr. 5
49	532 12 32-05	Retainer Belt Style Spring	165	532 16 56-23	Bracket Pivot Lever
50	872 11 06-12	Bolt Carr Sh 3/8-16 x 1-1/2 Gr. 5	166	817 49 05-10	Screw 5/16-18 x 5/8
51	873 68 06-00	Nut Crownlock 3/8-16 unc	168	532 16 54-92	Bolt Shoulder 5/16-18 x .561
52	873 68 05-00	Nut Crownlock 5/16-18 unc	169	532 16 55-81	Plate Fastening Lt
53	532 10 57-10	Link Clutch	170	532 10 74-14	Keeper Belt T/A
55	532 10 57-09	Spring Return Clutch 6 75	197	532 16 96-13	Nyliner, Snap - in
56	817 06 06-20	Screw 3/8-16 x 1-1/4	199	532 16 96-12	Bolt Shoulder 5/16-18 UNC
57	532 14 02-94	V-Belt Ground Drive	200	872 14 05-08	Bolt RDHD SQNK 5/16-18 UNC x 1
59	532 16 96-91	Keeper Belt Span Ctr	202	872 11 06-14	Bolt, 3/8 - 16 x 1-3/4 Gr. 5
61	817 12 06-14	Screw 3/8-16 x .875	205	819 17 16-16	Washer 17/32 x 1 x 16 Ga.
62	532 12 48-72	Cover Pedal Blk Round	207	532 16 98-45	Washer, Nyl.
63	532 18 02-19	Engine Pulley	212	532 14 52-12	Nut Flange Hex Lock
64	532 17 39-37	Bolt Hex 7/16-20 x 4 x Gr. 5-1.5 THR	263	817 00 06-12	Screw Hexwsh Thdr 3/8-16 x 3/4
65	810 04 07-00	Washer Lock Hvy Hlcl Spr 7/16	268	532 18 24-02	Guard Muffler OHV B & S RH
66	532 15 47-78	Keeper Belt Engine Foolproof	275	819 13 10-14	Washer 13/32 x 1 x 14 Ga.
69	532 14 24-32	Screw Hex Wsh Hi-Lo 1/4 x 1/2 UNC			
70	532 18 02-18	Guide Belt Mower Drive RH			

NOTE: All component dimensions given in U.S. inches  
1 inch = 25.4 mm

# REPAIR PARTS

TRACTOR-MODEL NUMBER LZ125H92 (96011007100), PRODUCT NO. 960 11 00-71  
STEERING ASSEMBLY



## REPAIR PARTS

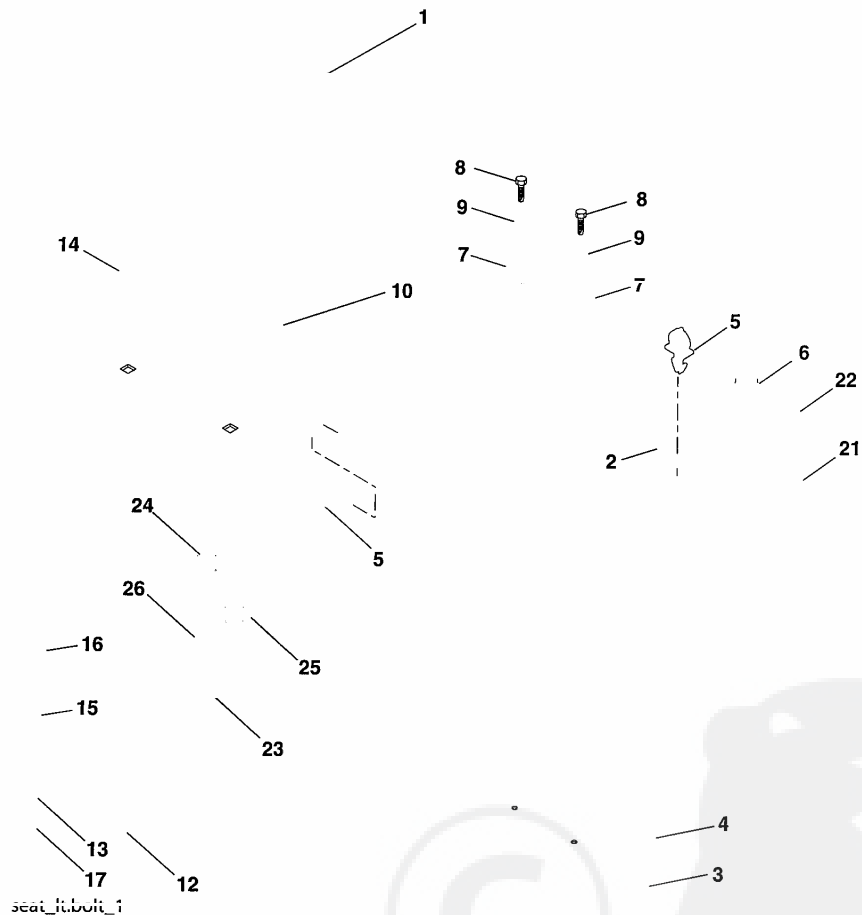
TRACTOR-MODEL NUMBER LZ125H92 (96011007100), PRODUCT NO. 960 11 00-71  
STEERING ASSEMBLY

KEY NO.	PART NO.	DESCRIPTION
1	532 18 67-80	Wheel Steering
2	532 17 51-31	Axle Asm
3	532 16 98-40	Spindle Asm LH
4	532 16 98-39	Spindle Asm RH
5	532 12 49-31	Bearing Race Thrust Harden
6	532 12 17-48	Washer 25/32 x 1-5/8 x 16 Ga
7	819 27 20-16	Washer 27/32 x 1-1/4 x 16 Ga
8	812 00 00-29	Ring Klip #15304-75
9	532 12 49-37	Bearing Col Strg Blk
10	532 17 51-21	Link Drag
11	810 04 06-00	Washer Lock Hvy Hlcl Spr 3/8
13	532 13 65-18	Spacer Brace Axle
15	532 14 52-12	Nut Hexflange Lock
17	532 19 07-53	Shaft Asm Strg
26	532 12 68-47	Bushing Link Drag Blk LR
28	819 13 14-16	Washer 13/32 x 7/8 x 16 Ga
29	817 00 06-12	Screw 3/8-16 x .75
30	876 02 04-12	Pin Cotter 1/8 x 3/4 Cad
32	532 19 27-57	Rod Tie Wire Form 19 75 Mech
34	810 04 05-00	Washer lock Hvy HLCL Spr 5/16
36	532 15 50-99	Bushing Strg Nat .623/.618ld
37	532 15 29-27	Screw TT #10-32 x 5 x 3/8 Flange
38	532 19 29-16	Cap Wheel Steer
39	819 11 38-12	Washer 11/32 ID x 2-3/8 OD 12 Gr.
40	873 54 06-00	Nut crownlock 3/8-24
41	532 18 67-37	Adaptor Wheel Strg
42	532 16 96-33	Boot Shaft Steering
43	532 12 17-49	Washer 25/32 x 1 1/4 x 16 Ga
44	532 19 07-52	Extension Steering
46	532 12 12-32	Cap Spindle Fr Top Blk
47	532 18 32-26	Fitting Grease
65	532 16 03-67	Spacer Brace Axle
67	872 11 06-18	Bolt RDHD SQ 3/8-16 Unc x 2-1/4
68	532 16 98-27	Brace Axle
71	532 17 51-46	Steering Asm
82	532 16 98-35	Bracket Susp. Chassis Front
88	532 17 51-18	Bolt Shoulder 7/16-20
91	532 17 55-53	Cup Steering
95	532 18 89-67	Washer Hardened
97	874 78 05-64	Bolt 5/16-18 UNC x 4 "L Gr. 5

**NOTE:** All component dimensions given in U.S. inches.  
1 inch = 25.4 mm.

## REPAIR PARTS

TRACTOR-MODEL NUMBER LZ125H92 (96011007100), PRODUCT NO. 960 11 00-71  
SEAT ASSEMBLY



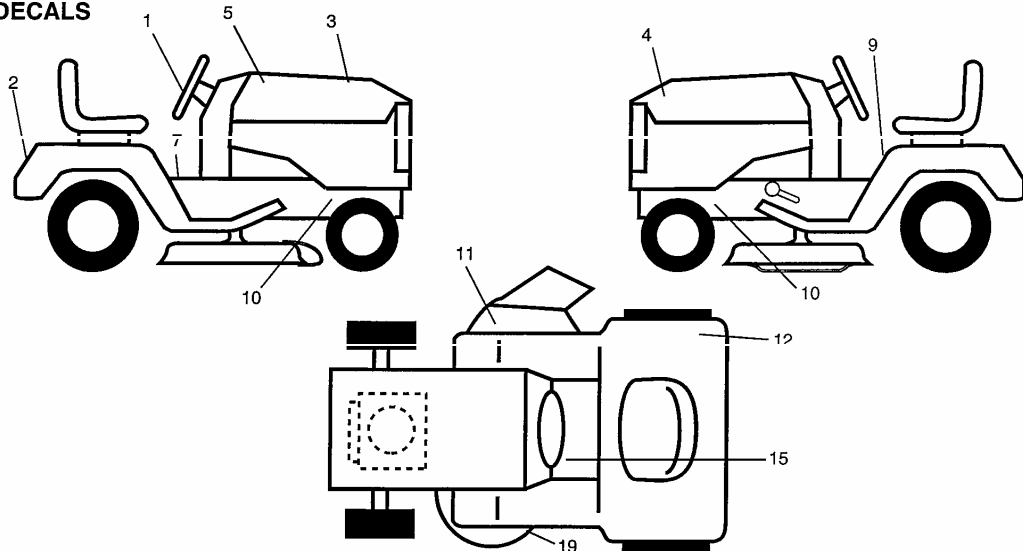
KEY NO.	PART NO.	DESCRIPTION
1	532 17 53-89	Seat
2	532 14 05-51	Bracket Pivot Seat 8 720
3	871 11 06-16	Bolt Fin Hex 3/8-16 unc x 1
4	819 13 16-10	Washer 13/32 x 1 x 10 Ga.
5	532 14 50-06	Clip Push-In
6	873 80 06-00	Nut Lock Hex w/Wsh 3/8-16 unc
7	532 12 41-81	Spring Seat Cprsn 2 250 Blk Zi
8	817 00 06-16	Screw 3/8-16 x 1.5
9	819 13 16-14	Washer 13/32 x 1 x 14 Ga.
10	532 18 24-93	Pan Seat
12	532 12 12-46	Bracket Mounting Switch
13	532 12 12-48	Bushing Snap Blk Nyl 50 Id

KEY NO.	PART NO.	DESCRIPTION
14	872 05 04-12	Bolt Rdhd Sht Nk 1/4-20 x 1-1/2
15	532 13 43-00	Spacer Split 28 x 96 Yel Zinc
16	532 12 12-50	Spring Cprsn 1 27 Blk Pnt
17	532 12 39-76	Nut Lock 1/4 Lge Flg Gr. 5 Zinc
21	532 17 18-52	Bolt Shoulder 5/16-18 unc -2A
22	873 80 05-00	Nut Lock Hex W/Insert 5/16-18 unc
23	871 11 08-14	Bolt Hex
24	819 17 19-12	Washer 17/32 x 1-3/16 x 12 Ga.
25	532 12 70-18	Bolt Shoulder 5/16-18 x 62
26	810 04 08-00	Washer Lock Hvy HLCLSPR 1/2

**NOTE:** All component dimensions given in U.S. inches.  
1 inch = 25.4 mm

## REPAIR PARTS

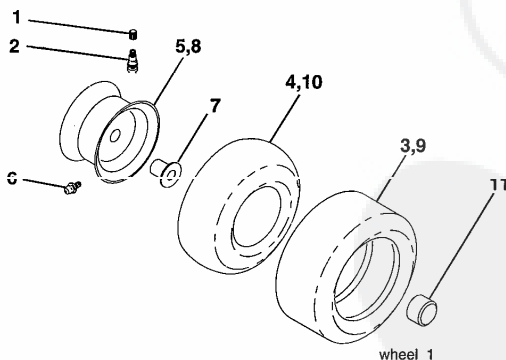
TRACTOR-MODEL NUMBER LZ125H92 (96011007100), PRODUCT NO. 960 11 00-71  
DECALS



KEY NO.	PART NO.	DESCRIPTION
1	532 19 56-98	Decal Wheel Steering
2	532 19 56-99	Decal Fender
3	532 19 62-88	Decal Hood RH
4	532 19 62-89	Decal Hood LH
5	532 14 50-05	Decal Bat Dan/POI
7	532 14 08-37	Decal Safety Brake Parking
9	532 14 54-98	Decal Read Owners Manual Syms
10	532 15 97-36	Decal Chassis Hot Muffler
11	532 18 21-66	Decal Mower Cut finger Symbol

KEY NO.	PART NO.	DESCRIPTION
12	532 18 04-32	Decal 100 Dba
15	532 15 97-37	Decal Brake/Clutch
19	532 13 68-32	Decal V-Belt Sch
--	532 16 25-98	Decal Drawbar Load Limit
--	532 13 83-11	Decal Lift Handle (Lift Handle)
--	532 16 60 60	Decal Bypass
--	532 19 44-32	Manual Operator's Euro
--	532 19 44-33	Manual Operator's Scan
--	532 16 61-66	Manual Parts

## WHEELS & TIRES

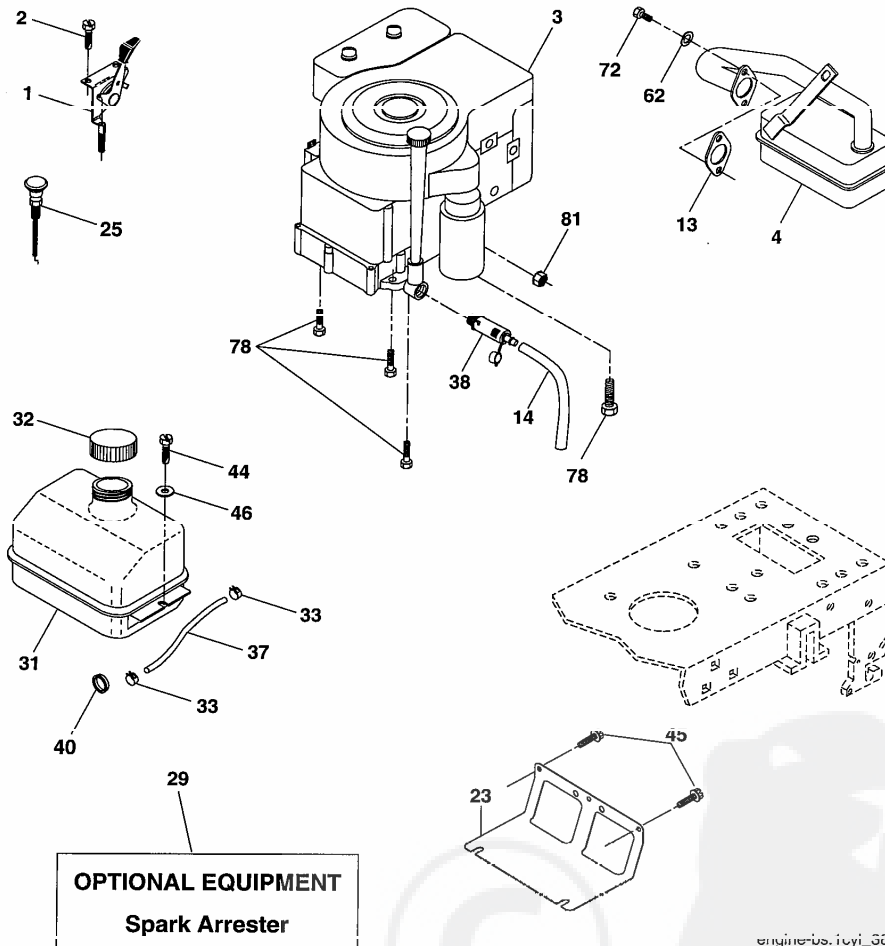


KEY NO.	PART NO.	DESCRIPTION
1	532 05 91-92	Cap Valve Tire
2	532 06 51-39	Stem Valve
3	532 12 41-57	Tire F Ts 15 X 6 - 6 Service
4	532 05 99-04	Tube Front (Service Item Only)
5	532 18 33-37	Rim Asm 6" front Service
6	532 12 49-57	Fitting Grease (Front Wheel Only)
7	532 12 49-59	Bearing Flange (Front Wheel Only)
8	532 18 33-38	Rim Asm 8" rear Service
9	532 12 39-69	Tire R Ts 18 x 8.5-8 C. Service
10	532 12 49-26	Tube Rear (Service Item Only)
11	532 17 50-39	Cap Axle Blk 1 50 X 1 00

NOTE: All component dimensions given in U.S. inches  
1 inch = 25.4 mm

## REPAIR PARTS

TRACTOR-MODEL NUMBER LZ125H92 (96011007100), PRODUCT NO. 960 11 00-71  
ENGINE



engine-us\_i0yi\_30

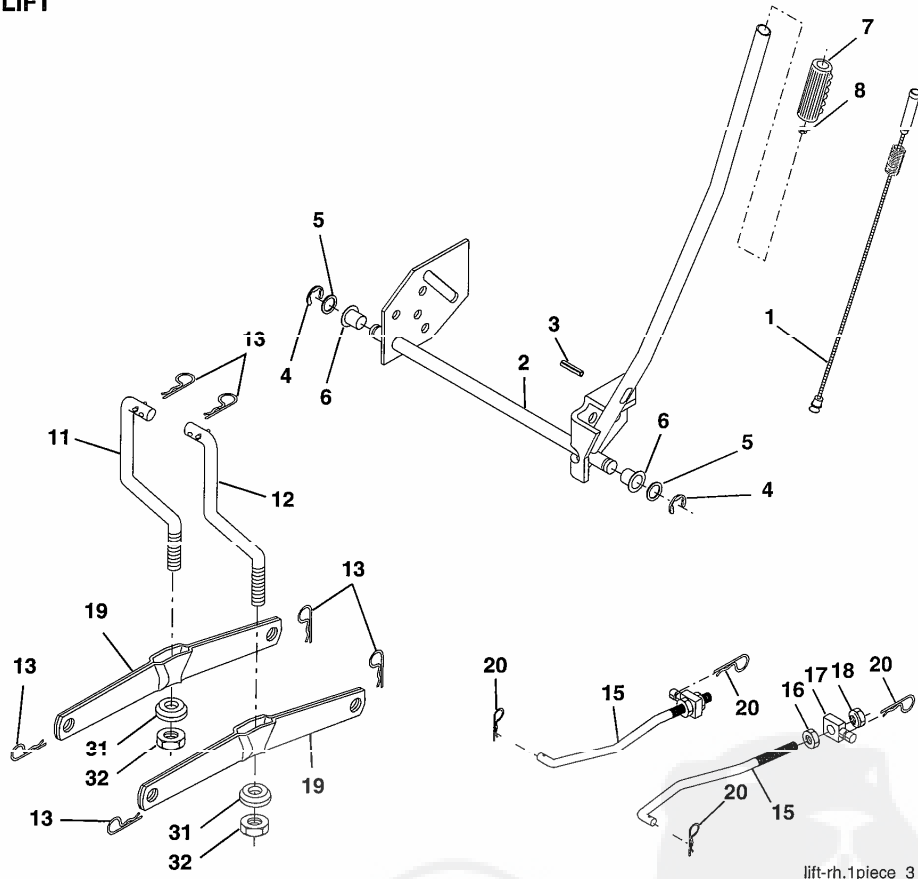
KEY NO.	PART NO.	DESCRIPTION
1	532 17 05-51	Control Throttle/Choke Flag
2	817 72 04-08	Screw Hex Thd Cut 1/4-20 x 1/2
3	-----	Engine B&S Model No. 219707 (Order parts from engine manufacturer)
4	532 17 97-58	Muffler
13	532 16 52-91	Gasket Eng
14	532 14 84-56	Tube Drain Oil Easy
23	532 16 98-37	Shield Brn/Dbr Guard
25	532 19 06-95	Control Choke
29	532 13 71-80	Kit Spark Arrester
31	532 18 77-50	Tank Fuel Front 1.25
32	532 14 05-27	Cap Asm Fuel W/sym Vented
33	532 12 34-87	Clamp Hose Blk

KEY NO.	PART NO.	DESCRIPTION
37	532 13 70-40	Line Fuel 20"
38	532 18 16-54	Plug Oil Drain Easy
40	532 12 40-28	Bushing Snap Nyl Blk Fuel Line
44	817 67 04-12	Screw Hexwsh Thdrol 1/4-20 x 3/4
45	617 00 06-12	Screw Hexwsh Thdrol 3/8-16 x 3/4
46	819 09 14-16	Washer 9/32 x 7/8 x 16 Ga.
62	810 04 05-00	Washer Lock 5/16
72	871 07 05-12	Screw Hex HD Cap 5/16-18 x 3/4
78	817 06 06-20	Screw 3/8-16 x 1-1/4
81	873 51 04-00	Nut Keps Hex 1/4-20 unc

**NOTE:** All component dimensions given in U.S. inches  
1 inch = 25.4 mm

## REPAIR PARTS

TRACTOR-MODEL NUMBER LZ125H92 (96011007100), PRODUCT NO. 960 11 00-71  
MOWER LIFT



lift-rh.1piece\_3

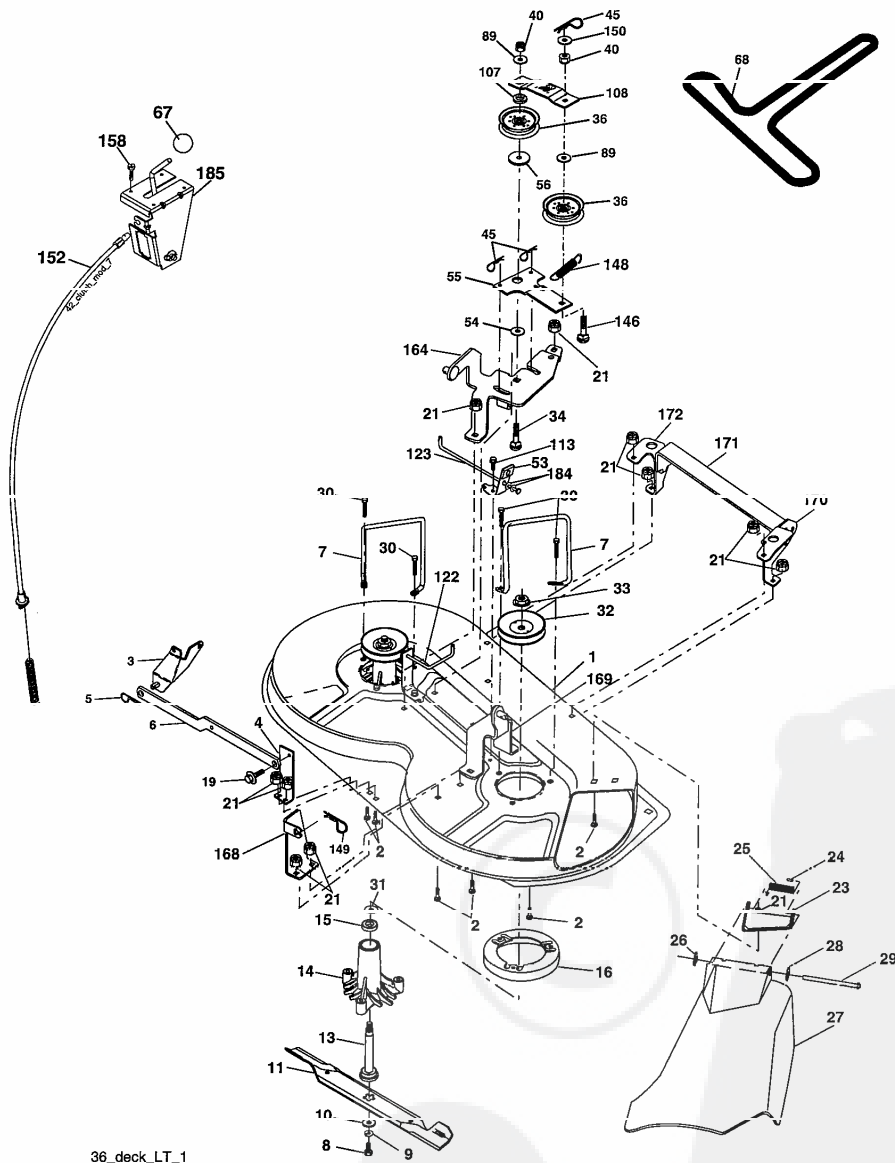
KEY NO.	PART NO.	DESCRIPTION
1	532 15 94-61	Wire Asm Inner W/Plunger
2	532 15 94-76	Shaft Asm Lift
3	532 18 88-22	Pin Groove
4	812 00 00-02	E Ring #5133-62
5	819 21 16-21	Washer PLTD 21/32 x 1 x 21 Ga.
6	532 12 01-83	Bearing Nylon Blk 629 Id
7	532 10 94-13	Grip Handle Bicycle Matte Blk
8	532 12 45-26	Button Plunger Black
11	532 13 98-65	Link Lift LH
12	532 13 98-66	Link Lift RH
13	532 12 46-70	Retainer Spring

KEY NO.	PART NO.	DESCRIPTION
15	532 17 32-88	Link Front
16	873 35 08-00	Nut Jam Hex 1/2-13 unc
17	532 17 56-89	Trunnion
18	873 80 08-00	Nut Lock W/Wsh 1/2-13 unc
19	532 13 98-68	Arm Suspension Rear
20	532 16 35-52	Retainer Spring
31	532 16 96-65	Bearing Pvi Lift
32	873 54 06-00	Nut Crownlock 3/8-24

**NOTE:** All component dimensions given in U.S. inches  
1 inch = 25.4 mm

# REPAIR PARTS

TRACTOR-MODEL NUMBER LZ125H92 (96011007100), PRODUCT NO. 960 11 00-71  
MOWER



36\_deck\_LT\_1



## REPAIR PARTS

TRACTOR-MODEL NUMBER LZ125H92 (96011007100), PRODUCT NO. 960 11 00-71  
MOWER

KEY NO.	PART NO.	DESCRIPTION	KEY NO.	PART NO.	DESCRIPTION
1	532 17 45-95	Mower Deck Assembly	54	532 17 85-15	Washer, Hardened
2	872 14 05-06	Bolt	55	532 13 38-40	Idler Arm Assembly
3	532 13 80-17	Bracket Assembly, Sway Bar	56	532 16 57-23	Spacer, Retainer
4	532 17 56-54	Bracket Sway Bar	67	532 10 69-32	Knob RD 3/8-16 Plstc Thd
5	532 12 46-70	Retainer Spring	68	532 18 02-13	Belt
6	532 17 80-24	Bar Sway Deck	89	819 13 13-11	Washer 13/32 x 13/16 x 11 Ga.
7	532 14 06-08	Keeper Belt	107	532 13 35-02	Spacer, Retainer
8	532 85 08-57	Bolt, Hex 3/8-24 x 1.25 Gr. 8	108	532 13 35-03	Stiffener, Idler Arm
9	310 03 00-00	Washer, Lock Hvy Hchl 3/8	113	817 49 05-06	Screw Thrd 5/16-16 x 1/2
10	532 14 02-96	Washer, Hardened	122	532 17 45-05	Rod, Brake, LH
11	532 13 84-96	Blade, Mower	123	532 17 45-04	Rod, Brake, RH
13	532 13 76-45	Shaft Assembly, Mandrel, Vented	146	532 16 58-91	Bolt Carriage Idler
14	532 12 87-74	Housing, Mandrel, Vented	148	532 16 90-22	Spring Return Idler
15	532 11 04-85	Bearing, Ball, Mandrel	149	532 16 58-98	Retainer Spring Yellow Zinc
16	532 17 44-93	Stripper, Mower Deck	150	819 09 12-10	Washer 9/32 x 3/4 x 10 Ga.
19	532 13 28-27	Bolt, Shoulder	152	532 17 60-79	Cable Clutch
21	873 68 05-00	Nut Crownlock 5/16-18	158	817 72 04-08	Screw Hex Thd Cut 1/4-20 x 1/2
23	532 13 66-31	Bracket, Mower Deflector	164	532 17 49-76	Bracket Asm Idler Support
24	532 10 53-04	Cap, Sleeve	166	532 17 23-77	Bracket Deck Cable
25	532 12 37-13	Spring, Torsion, Deflector	169	532 17 49-77	Bracket Asm Suspension
26	532 11 04-52	Nut, Push	170	532 17 23-59	Bracket Suspension RF
27	532 17 61-62	Shield, Deflector	171	532 16 52-37	Brace Support Susp. Frt
28	819 11 10-16	Washer 11/32 x 5/8 x 16 Ga.	172	532 17 23-55	Bracket Suspension LF
29	532 12 19-80	Rod, Hinge	184	819 13 14-10	Washer 13/32 x 7/8 x 10 Ga.
30	532 17 39-84	Screw Thdrol	185	532 18-82-34	Head Asm Cable Clutch
31	532 18 76-90	Washer, Spacer	--	532 13 07-94	Mandrel Assembly (Includes Housing, Shaft and Shaft Hardware Only - Pulley Not Included)
32	532 15 35-31	Pulley, Mandrel	--	532 18 13-76	Replacement Mower, Complete
33	532 17 83-42	Nut, Toplock, Flanged			
34	872 11 00-14	Bolt Rdnd 3/8-16 x 1-3/4			
36	532 13 14-94	Pulley, Idler, Flat			
40	873 68 06-00	Nut Crownlock 3/8-16			
45	532 12 47-88	Retainer, Spring			
53	532 13 08-40	Brake Assembly			

NOTE: All component dimensions given in U.S. inches  
1 inch = 25.4 mm



# SERVICE POLICY WARRANTY



Issued January 1980  
Revised January 1991

## LIMITED WARRANTIES FOR NEW PEERLESS GEAR POWER TRAIN COMPONENTS

### A. Products Warranted

Peerless Gear and Machine Division of Tecumseh Products Company ("Tecumseh"), subject to the limitations contained below, will, at its option, repair or replace, without charge for parts or labor only, any part of a new Power Train Component (which as used herein means and includes the transaxle, gear box, transmission, differential and right angle drives, and any part of the Power Train Component), EXCEPT any new Power Train Component incorporated in equipment used for commercial or rental purposes, which is found upon examination by any Tecumseh Authorized Service Outlet or by Tecumseh's factory in Grafton, Wisconsin, to be DEFECTIVE IN MATERIAL AND/OR WORKMANSHIP if received by Tecumseh or a Tecumseh Authorized Service Outlet for such examination within TWO YEARS from the date of sale to the original consumer purchaser of Peerless Series 820, 900, 910, 915, 920, 930 transaxles and Series 1100 angle drive and ONE YEAR for all other Peerless products. New Power Train Components incorporated in equipment used for commercial purposes are warranted in the same manner and to the same extent EXCEPT such Power Train Components are warranted for NINETY (90) DAYS ONLY, and must be received by Tecumseh or by a Tecumseh Authorized Service Outlet for such examination within 90 days from the date of sale to the original purchaser. New Power Train Components incorporated in equipment used for rental purposes are warranted in the same manner and to the same extent EXCEPT such Power Train Components are warranted for THIRTY (30) DAYS ONLY, and must be received by Tecumseh or a Tecumseh Authorized Service Outlet within 30 days from the date of sale to the original purchaser.

### B. Products And Items Not Warranted

1. Alterations or Modifications of Power Train Components.
  2. Accidents, Normal Maintenance, Failure to follow the Original Equipment Manufacturer's Manual.
- This warranty covers only parts of new Power Train Components which are found upon examination to be defective in material or workmanship as delivered to the original purchaser. This warranty does not cover defects caused by depreciation or damage caused by normal wear, accidents, improper maintenance, improper use or abuse of the product, failure to follow the instructions contained in an Instruction Manual for the operation of the Power Train Component and parts. The cost of normal maintenance and replacement of service items which are not defective shall be paid for by the original purchaser.

### C. Securing Warranty Service

Warranty service can be arranged for by contacting either a Tecumseh Authorized Service Outlet (any Tecumseh Registered Service Dealer, Tecumseh Authorized Service Distributor, or Tecumseh Central Warehouse Distributor) or by contacting Tecumseh, c/o Service Manager, Engine and Transmission Group Service Division, 900 North Street, Grafton, Wisconsin 53024. Warranty service can only be performed by a Tecumseh Authorized Service Outlet or by Tecumseh at its factory in Grafton, Wisconsin. At the time of requesting warranty service, evidence must be presented of the date of sale to the original purchaser. The purchaser shall pay any charges for making service calls and/or for transporting the product to and from the place where the inspection and/or warranty work is performed. The purchaser shall be responsible for any damage or loss incurred in connection with the transportation of Power Train Components and/or part(s) of the Power Train Components submitted for inspection and/or warranty work.

### D. Limitation of Damages and Implied Warranties

The foregoing EXPRESSED WARRANTY IS IN LIEU OF ALL OTHER EXPRESS WARRANTIES. Neither Tecumseh nor any of its affiliates makes any warranties, representations or promises, written or oral, as to the quality of the Power Train Component or any of its parts, other than as set forth herein.

ANY IMPLIED WARRANTY OF MERCHANTABILITY OR FITNESS FOR A PARTICULAR PURPOSE, TO THE EXTENT THAT EITHER MAY APPLY TO ANY PART(S) OF POWER TRAIN COMPONENTS, SHALL BE LIMITED IN DURATION TO THE PERIODS OF THE EXPRESSED WARRANTIES DEFINED IN PARAGRAPH A HEREOF. IN NO EVENT WILL TECUMSEH BE LIABLE FOR ANY INCIDENTAL, CONSEQUENTIAL OR SPECIAL DAMAGES AND/OR EXPENSES. Some states do not allow limitations on how long an implied warranty lasts or the exclusion or limitation of incidental or consequential damages, so the above limitation(s) or exclusion(s) may not apply to you. This warranty gives you specific legal rights and you may also have other legal rights which vary from state to state.

### E. No Dealer Warranty

Tecumseh neither assumes nor authorizes any other person, natural or corporate, to assume for Tecumseh any other obligations or liabilities in connection with or with respect to any part(s) of a Power Train Component. The seller or dealer of part(s) of a Power Train Component has no authority, whatsoever, to make any representations or promises on behalf of Tecumseh or to modify the terms or limitations of Tecumseh's warranty in any way.

## LIMITED WARRANTY

The Manufacturer warrants to the original consumer purchaser that this product as manufactured is free from defects in materials and workmanship. For a period of one (1) year from date of purchase by the original consumer purchaser, we will repair or replace, at our option, without charge for parts or labor incurred in replacing parts, any part which we find to be defective due to materials or workmanship. This Warranty is subject to the following limitations and exclusions.

1. This warranty does not apply to the engine. Please contact your nearest dealer where they will send the machine to the engine manufacturer.
2. Transportation charges for the movement of any power equipment unit or attachment are the responsibility of the purchaser. Transportation charges for any parts submitted for replacement under this warranty must be paid by the purchaser unless such return is requested by your dealer.
3. Battery Warranty: On products equipped with a Battery, we will replace, without charge to you, any battery which we find to be defective in manufacture, during the first ninety (90) days of ownership. After ninety (90) days, we will exchange the Battery, charging you 1/12 of the price of a new Battery for each full month from the date of the original sale. Battery must be maintained in accordance with the instructions furnished.
4. The Warranty period for any products used for rental or commercial purposes is limited to 90 days from the date of original purchase.
5. This Warranty applies only to products which have been properly assembled, adjusted, operated, and maintained in accordance with the instructions furnished. This Warranty does not apply to any product which has been subjected to alteration, misuse, abuse, improper assembly or installation, delivery damage, or to normal wear of the product.
6. Exclusions: Excluded from this Warranty are belts, blades, blade adapters, normal wear, normal adjustments, standard hardware and normal maintenance.
7. In case of any problem within the boundaries of this warranty, contact the nearest department store, indicate the model number, serial number and the date of purchase of your machine. This warranty does not apply to accidental damages. All implicit warranties are limited to the same time frames. Or contact:

E.M. Services  
54 Rue Lambrechts  
92400 Courbevoie  
France  
Telephone: (1) 46678078  
Fax: (1) 46678095

THIS WARRANTY DOES NOT APPLY TO INCIDENTAL OR CONSEQUENTIAL DAMAGES. ANY IMPLIED WARRANTIES ARE LIMITED TO THE SAME TIME PERIODS STATED HEREIN.



LAZER®