

**REPAIR PARTS MANUAL**  
**MODEL NO. LZ155H107RB (96061004801)**  
**Lawn Tractor**

---

**LAZER<sup>®</sup>**

532 19 92-94 05.02.05 TR  
PRINTED IN U.S.A.

## HOW TO USE THIS MANUAL

This manual is designed to provide the customer with a means to identify the parts on his/her tractor when ordering repair parts. The illustrations may or may not represent the actual assemblies; therefore, it is not recommended to use this manual as a guide to assemble or disassemble the tractor. Some hardware and parts are drawn larger in order to more readily identify them.

Each tractor has its own model number.

The model number for your tractor can be found on the fender under the seat.

When ordering parts, always give the following information:

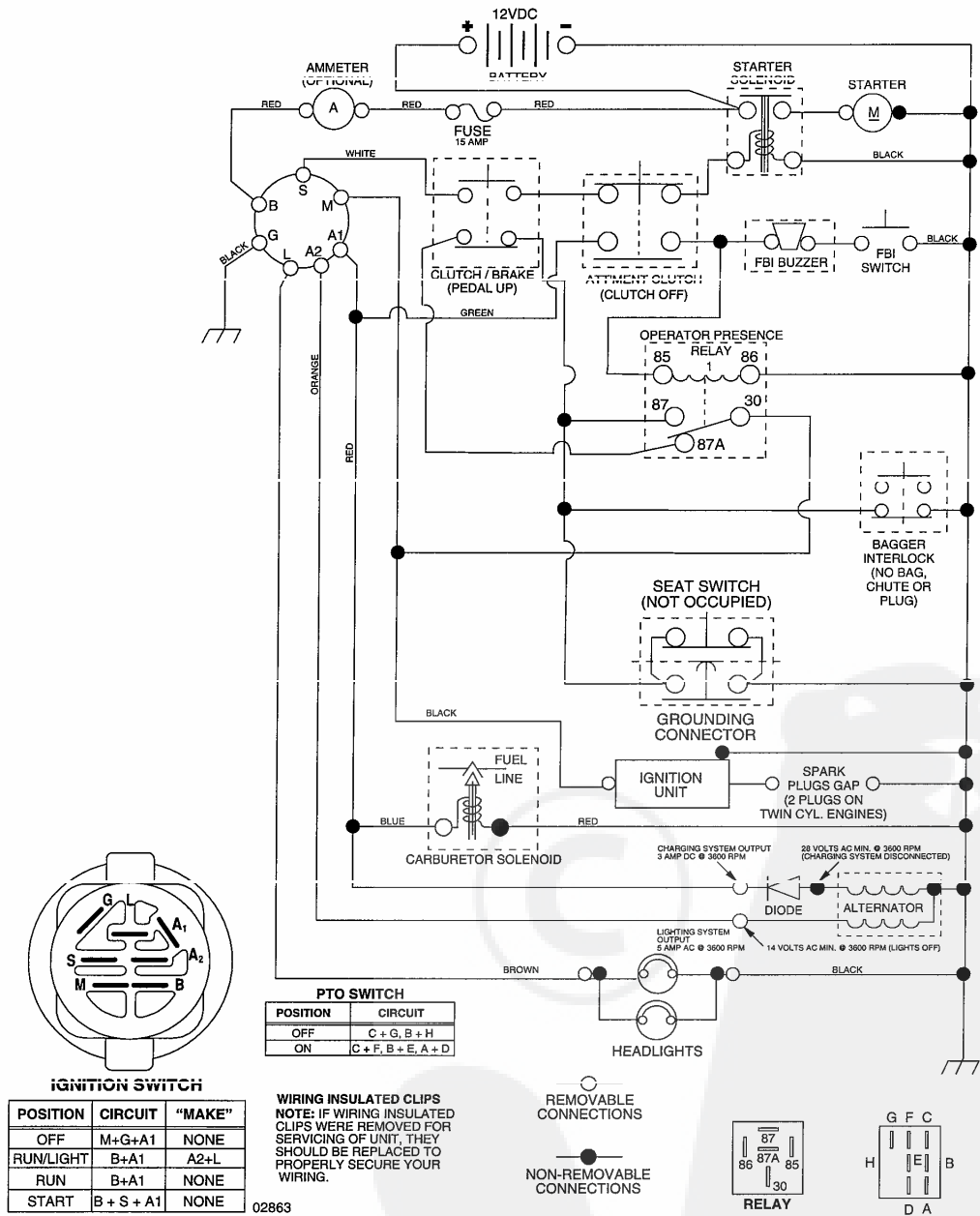
- Product - "Lawn Tractor"
- Model Number - "LZ155H107RB" (96061004801)
- Part Number
- Part Description

## TABLE OF CONTENTS

<b>SCHEMATIC</b> .....	<b>3</b>
<b>ELECTRICAL</b> .....	<b>4-5</b>
<b>CHASSIS AND ENCLOSURES</b> .....	<b>6-7</b>
<b>DRIVE</b> .....	<b>8-9</b>
<b>STEERING WHEEL</b> .....	<b>10-11</b>
<b>SEAT</b> .....	<b>12</b>
<b>DECALS</b> .....	<b>13</b>
<b>ENGINE</b> .....	<b>14</b>
<b>MOWER LIFT</b> .....	<b>15</b>
<b>MOWER DECK</b> .....	<b>16-17</b>
<b>BAGGER</b> .....	<b>18-19</b>
<b>WARRANTY</b> .....	<b>20</b>

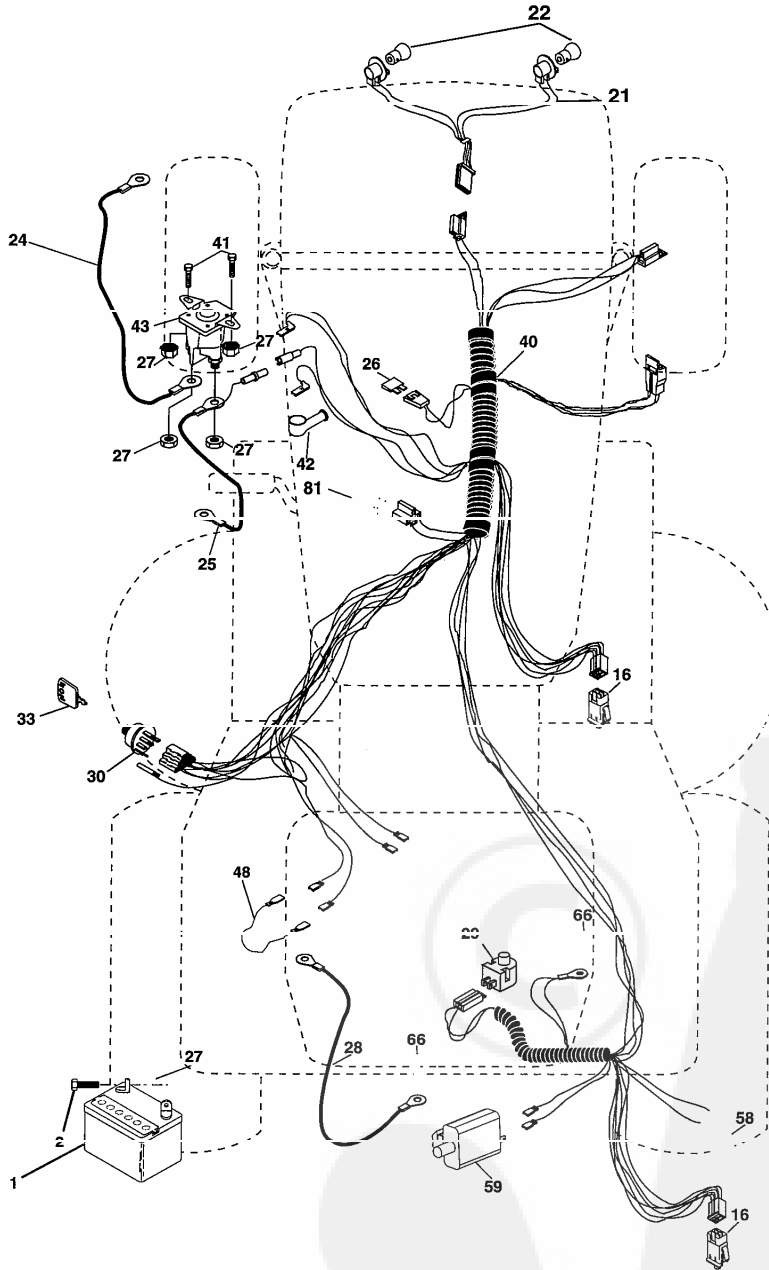
# REPAIR PARTS

TRACTOR-MODEL NO. LZ155H107RB (96061004801), PRODUCT NO. 960 61 00-48  
SCHEMATIC



# REPAIR PARTS

TRACTOR-MODEL NO. LZ155H107RB (96061004801), PRODUCT NO. 960 61 00-48  
ELECTRICAL

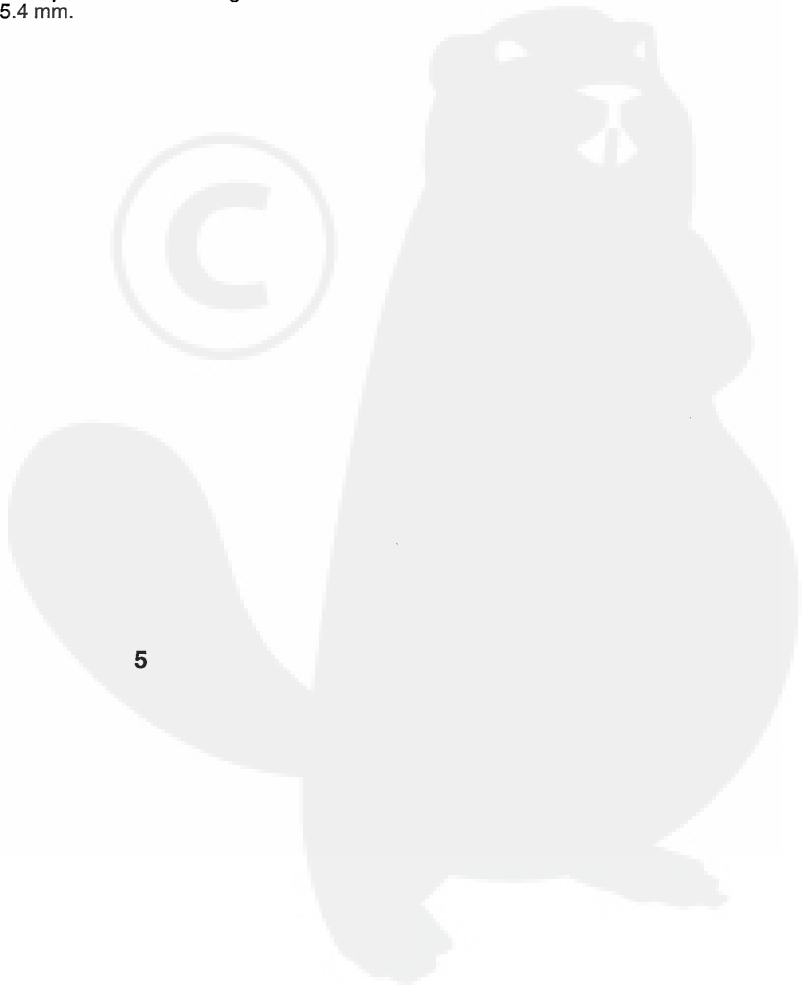
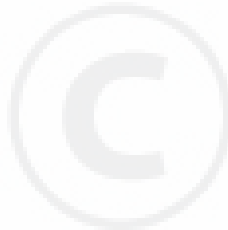


## REPAIR PARTS

TRACTOR-MODEL NO. LZ155H107RB (96061004801), PRODUCT NO. 960 61 00-48  
ELECTRICAL

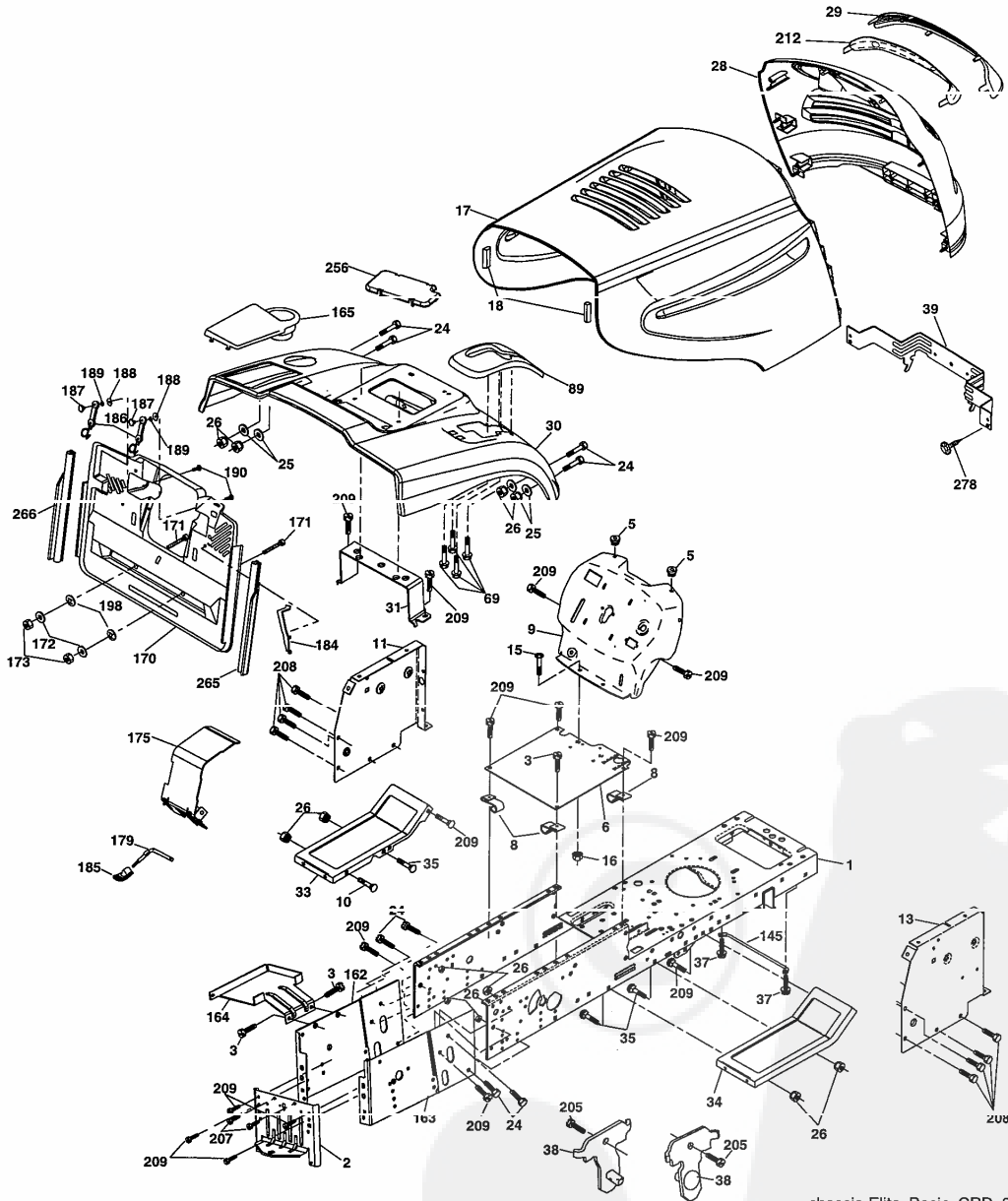
KEY NO.	PART NO.	DESCRIPTION
1	532 16 34-65	Battery
2	874 76 04-12	Bolt Hex Hd 1/4-20 unc x 3/4
16	532 17 61-38	Switch Interlock
21	532 18 37-59	Harness Asm Light W/4152J
22	532 00 41-52	Bulb Light #1156
24	532 12 47-80	Cable Starter 6 Ga. 11" Red
25	532 16 59-87	Cable Battery Crd 56" Red
26	532 17 51-58	Fuse
27	873 51 04-00	Nut Keps Hex 1/4-20 unc
28	532 12 77-25	Cable Ground 6 Ga. 18" Black
29	532 12 13-05	Switch Plunger NC Gray
30	532 17 55-66	Switch Ignition
33	532 14 04-01	Key Ign
40	532 18 80-36	Harness Ign
41	871 11 04-08	Bolt Flk Fin Hex 1/4-20 unc x 1/2
42	532 13 15-63	Cover Terminal Red
43	532 17 88-61	Solenoid
48	532 14 08-44	Adapter Ammeter Rectangular
58	532 16 94-19	Buzzer Crd
59	532 18 03-79	Switch FBI CRD
66	817 49 06-08	Screw Thdrol 3/8-16 x 1/2 Ty-Tt
81	532 10 97-48	Relay Asm

**NOTE:** All component dimensions given in U.S. inches.  
1 inch = 25.4 mm.



# REPAIR PARTS

TRACTOR-MODEL NO. LZ155H107RB (96061004801), PRODUCT NO. 960 61 00-48  
CHASSIS AND ENCLOSURES



chassis-Elite\_Basic\_CRD\_3

## REPAIR PARTS

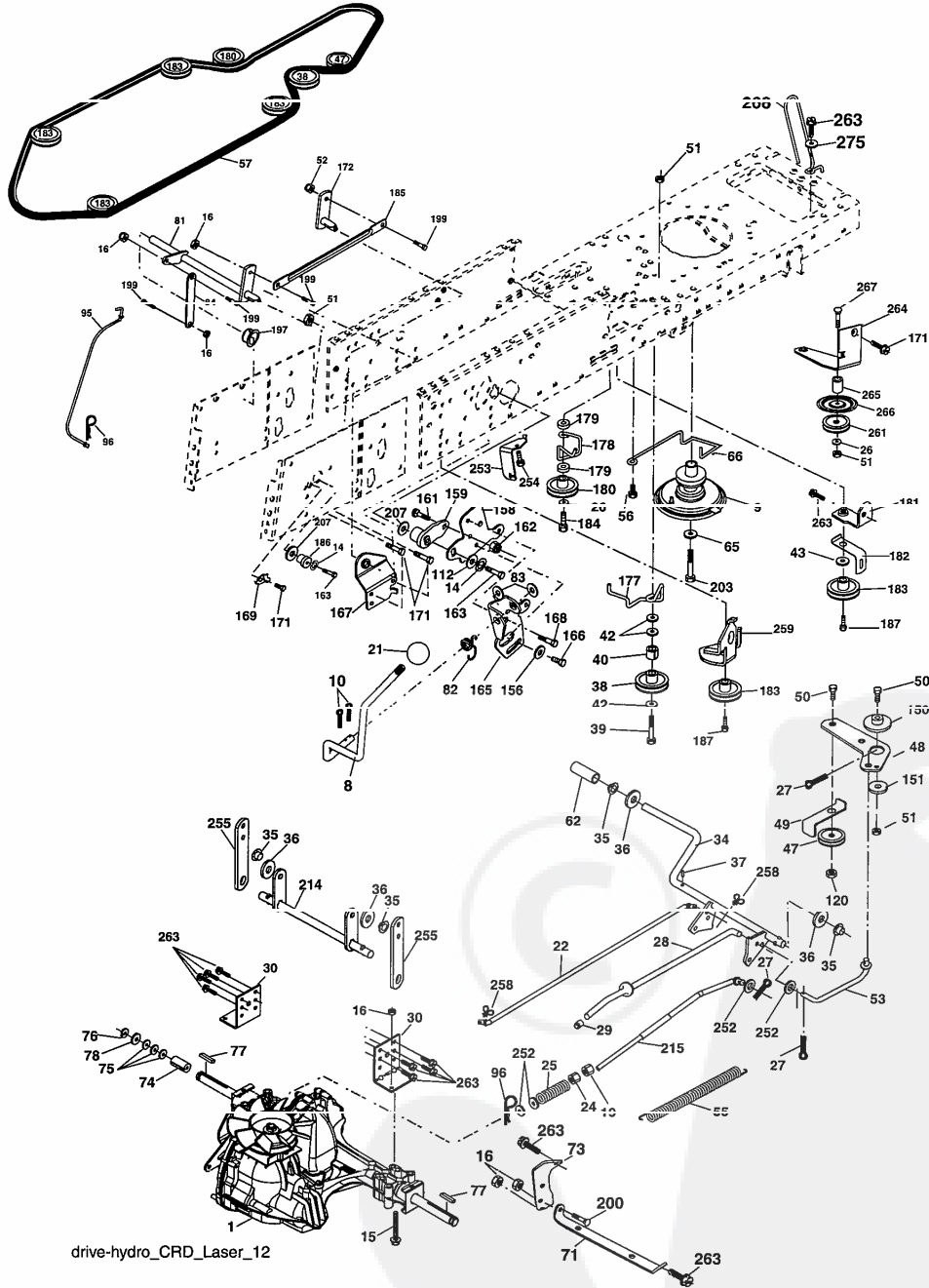
TRACTOR-MODEL NO. LZ155H107RB (96061004801), PRODUCT NO. 960 61 00-48  
CHASSIS AND ENCLOSURES

KEY NO.	PART NO.	DESCRIPTION	KEY NO.	PART NO.	DESCRIPTION
1	532 17 46-20	Chassis	163	532 18 03-83	Bracket Exten Chassis Rh CRD
2	532 18 03-84	Drawbar	164	532 16 56-05	Support Battery CRD
3	817 06 06-12	Screw 3/8-16 x 3/4	165	532 18 13-56	Cover Battery
5	532 15 52-72	Bumper Hood/Dash	170	532 17 88-62	Backplate CRD
6	532 18 44-19	Saddle	171	872 14 06-20	Bolt Rdhd Sqnk 3/8-16 x 2-1/2 Gr. 5
8	532 12 64-71	Clip Insulator 13/32 Mtg. Hole	172	819 13 20-16	Washer 13/32 x 1-1/4 x 16 Ga.
9	532 19 46-88	Dash	173	873 51 06-00	Nut, Keps Hex 3/8-16 unc
10	872 14 06-08	Bolt, Carriage 3/8-16 x 3/4	175	532 18 82-03	Door Trap
11	532 17 49-96	Panel, Dash, L.H.	179	532 18 82-02	Rod Pivot FBI CRD
13	532 18 69-52	Panel, Asm. Dash R.H.	184	532 17 46-62	Bracket Actuator Bagger CRD
15	874 18 05-12	Screw, Machine, Truss Head 5/16-18 unc x 3/4	185	532 18 11-01	Knob Rod Brake Parking
16	873 51 05-00	Nut	186	532 16 07-93	Latch Asm Mulch/Bagger
17	532 18 67-07	Hood	187	532 12 50-04	Nut Weld
18	532 18 49-21	Bumper Hood	188	819 06 12-16	Washer #10
24	874 78 06-16	Bolt	189	810 07 10-00	Washer Lock #10
25	819 13 13-12	Washer 13/32 x 13/16 x 12 Ga.	190	871 08 10-10	Screw Pan Hd Phillip 10-24 x 5/8
26	873 80 06-00	Nut	198	532 16 89-37	Nut, Push
28	532 18 38-26	Grille / Lens Asm (Includes #'s 29 and 212)	205	817 49 06-08	Screw Thdrol 3/8-16 x 1/2
29	532 18 98-37	Lens, Grille	207	817 67 05-08	Screw Thdrol 5/16-18 x 1/2
30	<b>532 19 73-44</b>	Fender	208	817 67 06-08	Screw Thdrol 3/8-16 x 1/2
31	532 16 51-56	Bracket, Fender Support	209	817 00 06-12	Screw Hex Wsh Thdrol 3/8-16
33	532 18 11-93	Footrest, L.H.	212	532 18 38-23	Insert Lens Reflective
34	532 18 11-94	Footrest, R.H.	256	532 18 13-61	Cover Fender Rack
35	872 11 06-06	Bolt	265	532 18 57-04	Seal RH Side Bagger
37	817 49 05-08	Screw Thdrol 5/16-18 x 1/2 TYT	266	532 18 57-03	Seal LH Side Bagger
38	532 18 17-48	Bracket Asm Pivot Mower Rear	278	532 19 16-11	Screw 10 x 3/4 Single Lead-Hex
39	532 17 47-14	Bracket Pivot	--	532 00 54-79	Plug
69	532 14 24-32	Screw Hx Wsh Hi-Lo 1/4-1/2	--	532 19 39-35	Plug Switch Light
89	<b>532 19 73-66</b>	Console Crd Auto			
145	532 15 65-24	Rod Pivot Chassis/Hood			
162	532 18 03-82	Bracket Exten Chassis Lh CRD			

NOTE: All component dimensions given in U.S. inches.  
1 inch = 25.4 mm.

# REPAIR PARTS

TRACTOR-MODEL NO. LZ155H107RB (96061004801), PRODUCT NO. 960 61 00-48  
DRIVE



drive-hydro\_CRD\_Laser\_12



# REPAIR PARTS

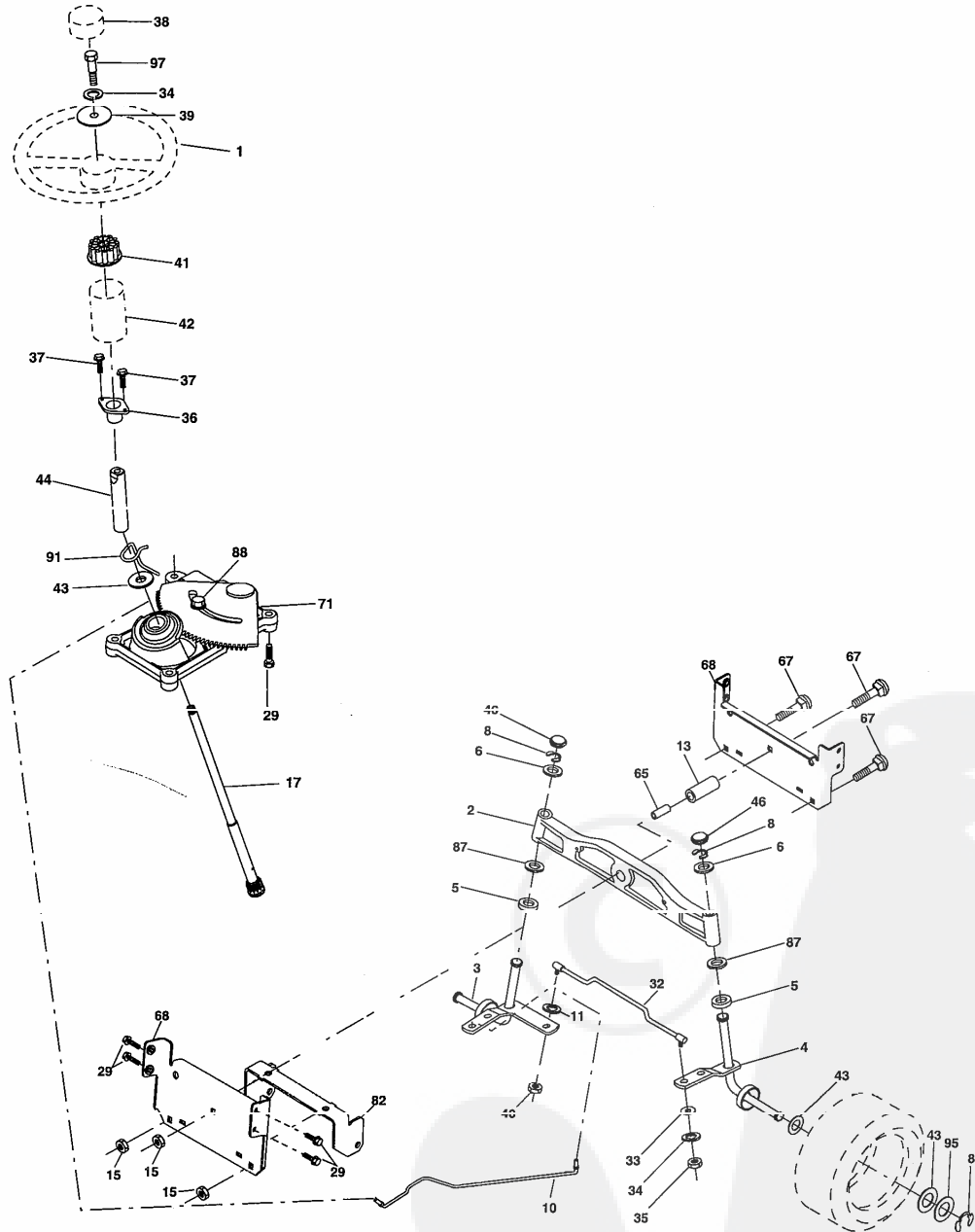
TRACTOR-MODEL NO. LZ155H107RB (96061004801), PRODUCT NO. 960 61 00-48  
DRIVE

KEY NO.	PART NO.	DESCRIPTION	KEY NO.	PART NO.	DESCRIPTION
1	-----	Transaxle Hydro Gear 321-0510 (Order parts from transaxle manu- facturer)	96	532 12 47-88	Spring, Retainer 1"
8	532 16 56-19	Rod, Shift Fender Adjust Lt	112	819 09 12-10	Washer 9/32 x 3/4 x 10 Ga.
9	532 18 03-54	Clutch Asm Noram	120	873 90 06-00	Nut Lock Flg. 3/8-16 unc
10	876 02 04-16	Pin, Cotter 1/8 x 1	150	532 16 58-50	Bushing, Bellcrank Grnd Dr.
14	810 04 04-00	Washer, Lock Hvy Helical	151	819 13 32-10	Washer 13/32 x 2 x 10 Ga.
15	874 49 05-44	Bolt Hex FGHD 5/16-18 x Gr. 5	156	532 16 60-02	Washer Srted 5/16 ID x 1.125
16	873 80 05-00	Nut Lock Hex W/Ins 5/16-18 unc	158	532 16 55-89	Bracket Shift Mount
19	873 80 06-00	Nut Lock Hex W/Ins 3/8-16 UNC	159	532 18 39-00	Hub Shift
21	532 13 05-64	Knob	161	872 14 04-06	Bolt Rdhd Sqnk 1/4-20 x 3/4 Gr 5
22	532 17 50-07	Rod, Brake	162	873 68 04-00	Nut Crownlock 1/4-20 unc
24	873 35 06-00	Nut	163	874 78 04-16	Bolt Hex Fin 1/4-20 unc x 1 Gr 5
25	532 19 20-36	Spring, Rod, Brake	165	532 16 56-23	Bracket Pivot Lever
26	819 13 13-16	Washer 13/32 x 13/16 x 16 Ga.	166	817 49 05-10	Screw 5/16-18 x 5/8
27	876 02 04-12	Pin, Cotter 1/8 x 3/4	167	532 16 55-88	Bracket Support Shift CRD
28	532 17 57-65	Rod, Parking Brake	168	532 16 54-92	Bolt Shoulder 5/16-18 x .561
29	532 07 16-73	Cap, Parking Brake	169	532 16 55-80	Plate Fastening Lt
30	532 16 95-92	Bracket, Mfg. Transaxle	171	817 49 06-08	Screw Thdrol 3/8-16 x 1/2 Ty-Tt
34	532 17 55-78	Shaft, Asm Pedal Foot CRD	172	532 17 02-71	Shaft Asm Shifter Frt CRD
35	532 12 01-83	Bearing, Nylon	177	532 16 59-32	Keeper Flat Idler 3.06" CRD
36	819 21 16-16	Washer 21/32 x 1 x 16 Ga.	178	532 16 59-33	Keeper Belt Idler 1.88" CRD
37	532 12 49-63	Pin, Roll 3/16 x 1"	179	532 12 09-58	Washer Sintered
38	532 16 59-36	Pulley Flat Composite 3.06"	180	532 16 56-30	Pulley, Idler, Flat 1.88" CRD
39	874 76 06-44	Bolt Fin Hex 3/8-16 unc x 2-3/4	181	532 18 02-11	Bracket Idler Ground Drive CRD
40	532 12 49-65	Spacer, Split 395 x 59 Bzp	182	532 18 26-82	Keeper Belt 2.5" Od V-Idler CRD
42	819 13 13-12	Washer 13/32 x 13/16 x 12 Ga.	183	532 18 60-07	Pulley V-Idler 2.50" Od CRD
43	819 11 10-12	Washer 11/32 x 5/8 x 12 Ga.	184	817 49 06-44	Screw Hexwsh Thdrol 3/8-16 x 2-3/4
47	532 12 77-83	Pulley, Idler, V Groove Plasic	185	532 17 00-08	Link Shift
48	532 15 44-07	Bellcrank Clutch Grnd Drv	186	532 16 56-14	Hub Tapered Round CRD
49	532 12 32-05	Retainer, Belt Style Spring	187	817 58 05-20	Screw Thdrol 5/16-18 x 1.25
50	872 11 06-12	Bolt 3/8-16 x 1-1/2 Gr. 5	197	532 16 96-13	Nyliner Snap-In 5/8
51	873 68 06-00	Nut, Crownlock 3/8-16 unc	199	532 16 96-12	Bolt Shoulder 5/16-18 unc
52	873 68 05-00	Nut Crownlock 5/16-18	200	872 14 05-08	Bolt RDHD SQNK 5/16-18 x 1
53	532 10 57-10	Link, Clutch 7.66	203	871 17 07-80	Bolt Hex 7/16-20 x 5
55	532 10 57-09	Spring, Return, Clutch	207	532 16 98-45	Washer Nylon Rear
56	817 06 06-20	Screw 3/8-16 x 1-1/4	214	532 17 56-09	Shaft Asm. Brake
57	532 17 01-40	V-Belt Kev 112" 0650 CRD	215	532 17 56-52	Rod Brake Hydro
62	532 12 35-33	Cover, Pedal	252	819 13 16-16	Washer 13/32 x 1 x 16 Ga.
65	810 04 07-00	Washer	253	532 17 50-28	Bracket Cable Chassis
66	532 15 47-78	Keeper, Belt Engine F-Proof	254	817 00 06-16	Screw 3/8-16 x 1
71	532 16 91-83	Strap, Torque, Lh	255	532 17 56 09	Bracc Shaft Brake Mtg.
73	532 16 91-82	Strap, Torque, Rh	258	532 17 80-62	Clip Retainer
74	532 13 70-57	Spacer, Split	259	532 18 02-12	Bracket Pulley
75	532 12 17-49	Washer 25/32 x 1-1/4 x 16 Ga.	261	532 13 14-94	Pulley Idler
76	812 00 00-01	Ring, E	263	817 00 06-12	Screw 3/8-16 x 3/4
77	532 12 35-83	Key, Square	264	532 18 19-95	Bracket Clutch Mounting
78	532 12 17-48	Washer 25/32 x 1-5/8 x 16 Ga.	265	532 18 20-13	Spacer Idler Chassis
81	532 17 00-06	Asm, Shaft, Cross Rear	266	532 18 20-61	Shield Idler Mower
82	532 16 57-11	Spring, Torsion	267	872 14 06-26	Bolt 3/8-16 x 3-1/4
83	819 17 12-10	Washer 17/32 x 3/4 x 16 Ga.	268	532 18 24-02	Guard Muffler
84	532 17 00-07	Link, Transaxle	275	819 13 16-14	Washer 13/32 x 1 x 14 Ga.
95	532 17 00-15	Control Asm Bypass Hydro			

**NOTE:** All component dimensions given in U.S. inches  
1 inch = 25.4 mm

# REPAIR PARTS

TRACTOR-MODEL NO. LZ155H107RB (96061004801), PRODUCT NO. 960 61 00-48  
STEERING ASSEMBLY



steering\_pl.lt\_60

## REPAIR PARTS

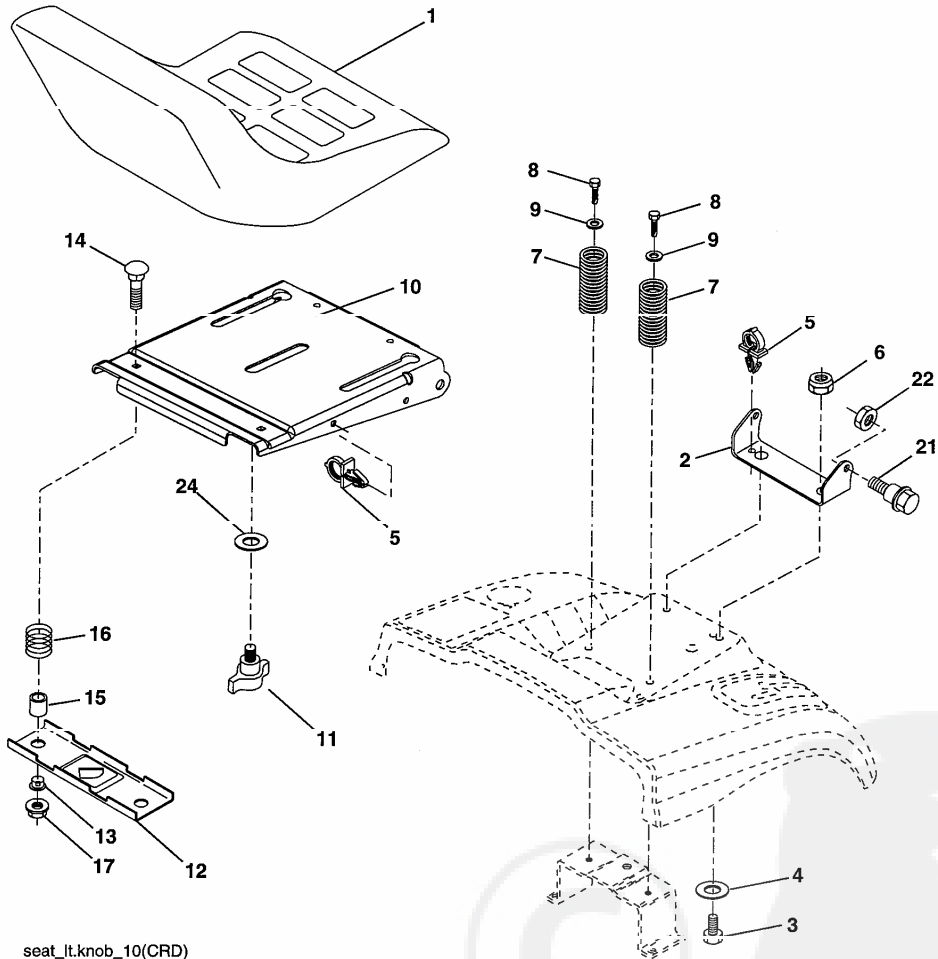
TRACTOR-MODEL NO. LZ155H107RB (96061004801), PRODUCT NO. 960 61 00-48  
STEERING ASSEMBLY

KEY NO.	PART NO.	DESCRIPTION
1	532 18 67-80	Steering Wheel
2	532 18 47-06	Front Axle Assembly
3	532 16 98-40	Spindle Assembly, L.H.
4	532 16 98-39	Spindle Assembly, R.H.
5	532 12 49-31	Bearing, Race, Thrust, Hardened
6	532 12 17-48	Washer 25/32 x 1-5/8 x 16 Ga.
8	812 00 00-29	Ring, Klip
10	532 17 51-21	Link, Drag
11	810 04 06-00	Washer, Lock
13	532 13 65-18	Spacer Axle
15	532 14 52-12	Nut Hex Flange Lock
17	<b>532 19 07-53</b>	Shaft Assembly, Steering
29	817 00 06-12	Screw 3/8-16 x 3/4
32	532 17 01-62	Rod, Tie
33	819 11 12-16	Washer 11/32 x 3/4 x 16 Ga.
34	810 04 05-00	Washer Lock Hvy Hlcl Spr 5/16
35	873 54 05-00	Crownlock Nut 5/16-24 unf
36	532 15 50-99	Bushing, Steering
37	532 15 29-27	Screw TT #10-32 x 5 x 3/8 Flange
38	532 19 29-16	Cap Wheel Steering
39	<b>819 11 38-12</b>	Washer 11/32 x 2-3/8 x 12 Ga.
40	873 54 06-00	Nut Crownlock 3/8-24
41	532 18 67-37	Adaptor, Steering Wheel
42	532 16 96-33	Boot, Steering Dash P/L Mtl
43	532 12 17-49	Washer 25/32 x 1-1/4 x 16 Ga.
44	<b>532 19 07-52</b>	Extension Steering
46	532 12 12-32	Cap, Spindle
65	532 16 03-67	Spacer Axle
67	672 11 06-16	Bolt Fluid Sq 3/8-16 x 2-1/4
68	532 16 98-27	Brace Axle
71	532 17 51-46	Steering Asm.
82	532 16 98-35	Bracket Susp. Chassis Front
87	532 17 39-66	Washer Flat .781 x 1-1/2 x .14
88	532 17 51-18	Bolt Shoulder 7/16-20 unc
91	532 17 55-53	Clip Steering
95	532 18 89-67	Washer Hardened
97	<b>874 78 05-64</b>	Bolt 5/16-18 unc x 4" L Gr. 5

**NOTE:** All component dimensions given in U.S. inches.  
1 inch = 25.4 mm.

## REPAIR PARTS

TRACTOR-MODEL NO. LZ155H107RB (96061004801), PRODUCT NO. 960 61 00-48  
SEAT ASSEMBLY



seat\_lt.knob\_10(CRD)

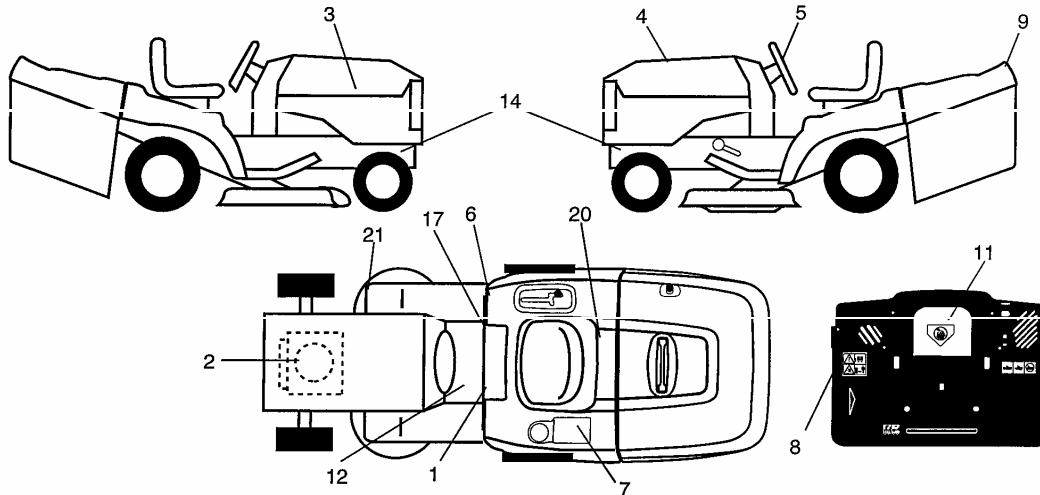
KEY NO.	PART NO.	DESCRIPTION
1	532 18 87-05	Seat
2	532 18 01-66	Bracket Pnt Pivot Fender
3	871 11 06-16	Bolt Fin Hex 3/8-16 x 1
4	819 13 16-10	Washer Flat 13/32 x 1 x 10 Ga.
5	532 14 50-06	Clip Push In Hinged
6	873 80 06-00	Nut Lock Hex W/Ins 3/8-16
7	532 12 41-81	Spring Seat Cprsn 2 250 Blk Zi
8	817 00 06-16	Screw 3/8-16 x 1.5
9	819 13 16-14	Washer 13/32 x 1 x 14 Ga.
10	532 18 01-86	Pan Pnt Seat (blk )
11	532 16 63-69	Knob Seat

KEY NO.	PART NO.	DESCRIPTION
12	532 12 12-46	Bracket Pnt Mounting Switch
13	532 12 12-48	Bushing Snap Blk Nyl 50 Id
14	872 05 04-12	Bolt Rdhd Sht Nk 1/4-20 x 1-1/2
15	532 13 43-00	Spacer Split
16	532 12 12 50	Spring Cprsn
17	532 12 39-76	Nut Lock 1/4 Lge Flg Gr. 5 Zinc
21	532 17 18-52	Bolt Shoulder 5/16-18 unc-2A
22	873 80 05-00	Nut Hex Lock w/Ins 5/16-18
24	819 17 19-12	Washer 17/32 x 1-3/16 x 12 Ga.

**NOTE:** All component dimensions given in U.S. inches.  
1 inch = 25.4 mm

## REPAIR PARTS

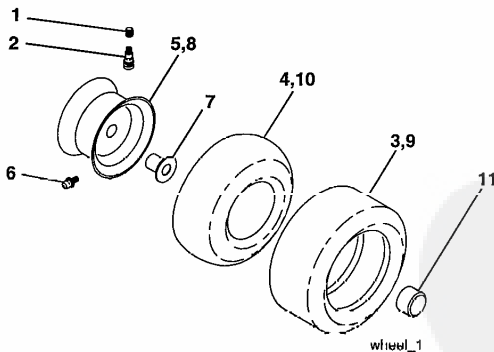
TRACTOR-MODEL NO. LZ155H107RB (96061004801), PRODUCT NO. 960 61 00-48  
DECALS



KEY NO.	PART NO.	DESCRIPTION
1	532 14 54-98	Decal Read Owner's Manual Sym
2	532 18 47-69	Decal Hp Engine
3	532 19 57-07	Decal Hood Rh
4	532 19 57-08	Decal Hood Lh
5	532 19 56-98	Decal Wheel Steering
6	532 18 04-32	Decal 100 DBA
7	532 14 50-05	Decal Battery Danger
8	532 18 04-35	Decal Hear Plate
9	532 19 56-99	Decal Fender
11	532 18 21-66	Decal Mower Cut Finger Symbol
12	532 15 97-37	Decal Brake/Clutch Symbol Lt

KEY NO.	PART NO.	DESCRIPTION
14	532 15 97-36	Decal Chassis Hot Muffler
17	532 14 08-37	Decal Saddle Brake Parking
20	532 16 69-60	Decal Bypass Fender CRD
21	532 16 62-86	Decal Hex Belt Sch 92 CRD
—	532 13 83-11	Decal Lift Handle
—	532 18 10-90	Pad Footrest RH
—	532 18 10-91	Pad Footrest LH
—	532 18 26-21	Decal Bagger Frame
—	532 19 68-46	Manual Operator's (Euro)
—	532 19 68-47	Manual Operator's (Scan)
—	532 19 92-94	Manual Parts

## WHEELS & TIRES

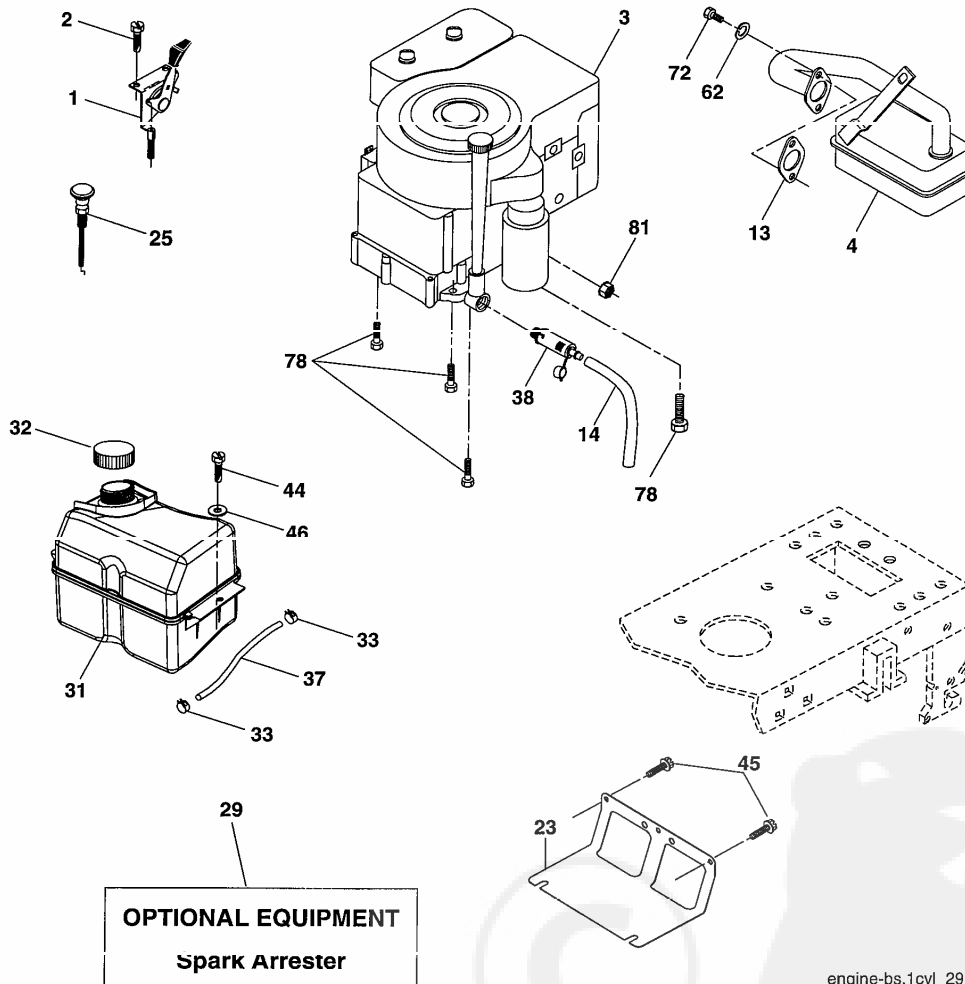


KEY NO.	PART NO.	DESCRIPTION
1	532 05 91-92	Cap Value Tire
2	532 06 51-39	Stem Valve
3	532 10 62-22	Tire F Ts 15 x 6 0 - 6 Service
4	532 05 99-04	Tube Inner Front #35060
5	532 18 33-37	Rim Asm 6" front White Service
6	532 12 49-57	Fitting Grease
7	532 12 49-59	Bearing Flange
8	532 18 33-38	Rim Asm 8" rear White Service
9	532 12 20-82	Tire R Ts 20 x 8-8 Service
10	532 12 49-26	Tube Rear 9 5 x 8 Service
11	532 17 50-39	Cap Axle Blk 1 50 x 1 00
--	532 14 43-34	Sealant, Tire (10 oz. tube)

**NOTE:** All component dimensions given in U.S. inches  
1 inch = 25.4 mm

# REPAIR PARTS

TRACTOR-MODEL NO. LZ155H107RB (96061004801), PRODUCT NO. 960 61 00-48  
ENGINE



**OPTIONAL EQUIPMENT**  
**Spark Arrester**

engine-bs.1cyl\_29

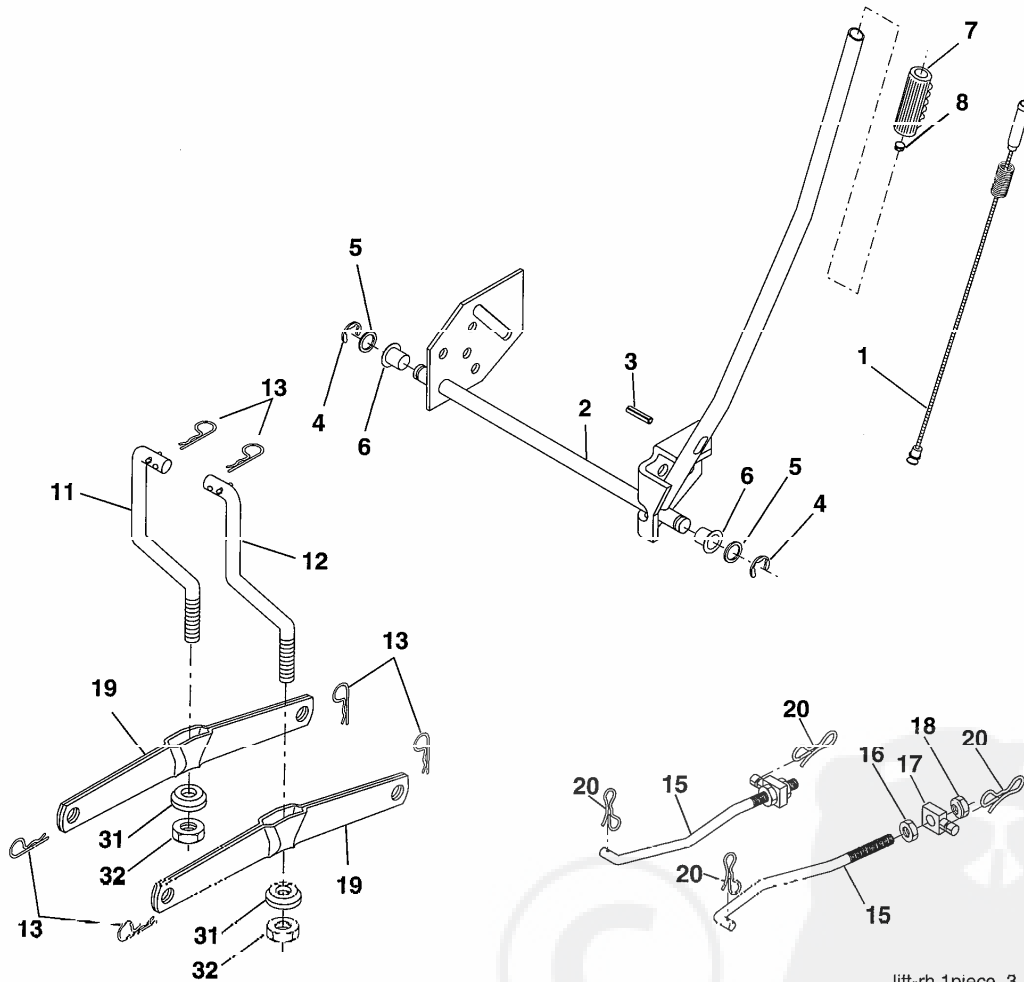
KEY NO.	PART NO.	DESCRIPTION
1	532 17 05-51	Control Throt/Ck
2	817 72 04-08	Screw Hex Thd Cut 1/4-20 x 1/2
3	-----	Engine B&S Model 280H07 (Order parts from engine manufacturer)
4	532 13 73-52	Muffler
13	532 16 52-91	Gasket Muffler
14	532 14 84-56	Tube Drain Oil Easy
23	532 16 98-37	Shield Brn/Dbr Guard
25	532 19 06-95	Control Choke
29	532 13 71-80	Kit Spark Arrester (Flat Scrn)
31	532 18 55-34	Tank Fuel 2.00
32	532 14 05-27	Cap Asm Fuel W/sym Vented

KEY NO.	PART NO.	DESCRIPTION
33	532 12 34-87	Clamp Hose Blk
37	532 13 70-40	Line Fuel
38	532 18 16-54	Plug Drain Oil Easy
44	817 67 04-12	Screw Hexwsh thdr 1/4-20 x 3/4
45	817 00 06-12	Screw Hexwsh Thdr 3/8-16 x 3/4
46	819 09 14-16	Washer 9/32 x 7/8 x 16 Ga.
62	810 01 05-00	Washer Split
72	871 07 05-12	Screw Hex HD Cap 5/16-18 x 3/4
78	817 06 06-20	Screw 3/8-16 x 1/4
81	873 51 04-00	Nut Keps Hex 1/4-20 unc

**NOTE:** All component dimensions given in U.S. inches  
1 inch = 25.4 mm

## REPAIR PARTS

TRACTOR-MODEL NO. LZ155H107RB (96061004801), PRODUCT NO. 960 61 00-48  
MOWER LIFT



lift-rh.1piece\_3

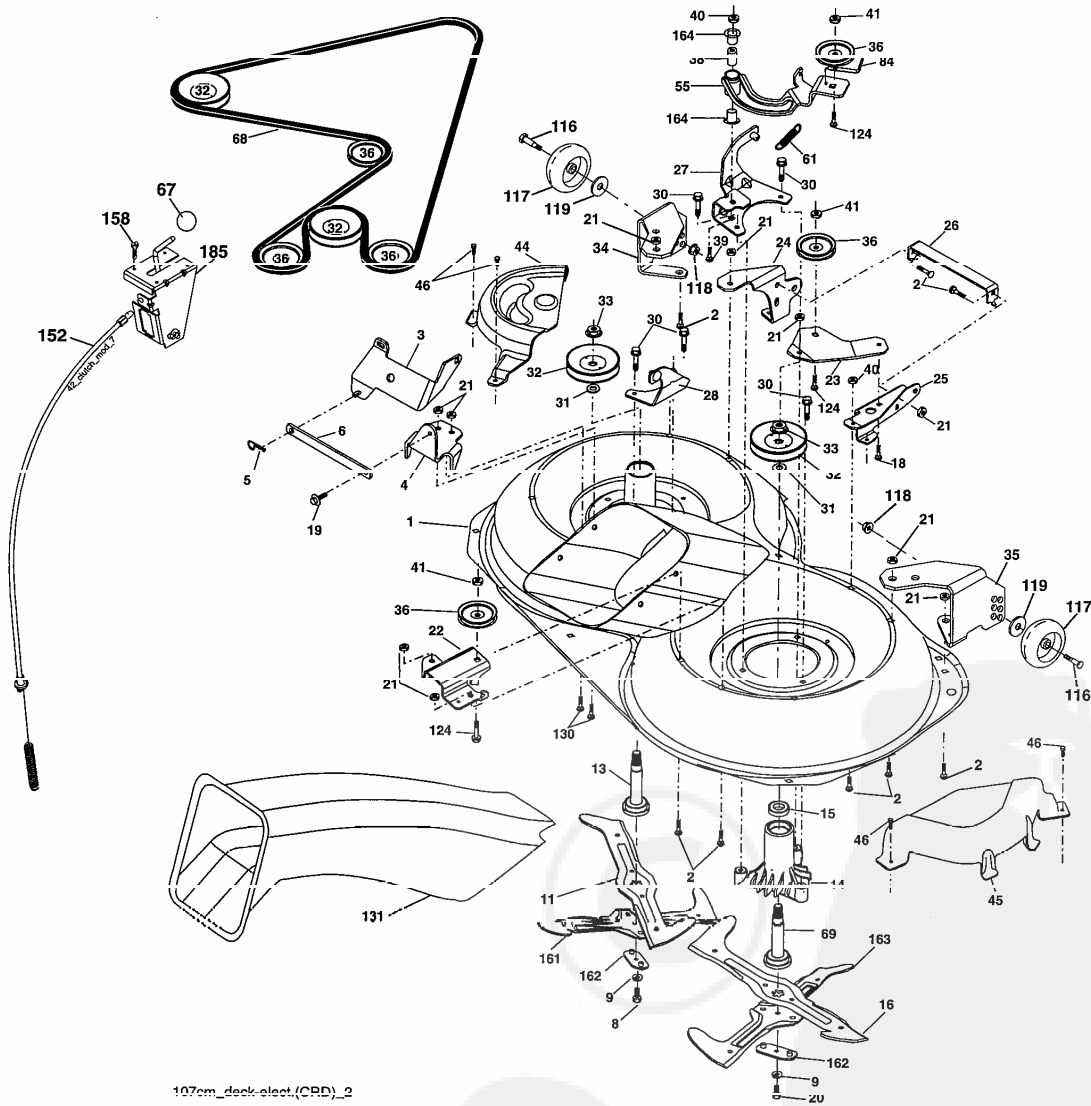
KEY NO.	PART NO.	DESCRIPTION
1	532 19 84-17	Washer Asm Inner Spring W/ Plunger
2	532 19 80-70	Shaft Asm. Lift
3	532 18 88-22	Pin Groove
4	812 00 00-02	E Ring #5133-62
5	819 21 16-21	Washer 21/32 x 1 x 21 Ga.
6	532 12 01-83	Bearing Nylon
7	532 10 94-13	Grip Handle Bicycle
8	532 12 45-26	Button Plunger Black
11	532 16 58-29	Link Asm Lift L.H.
12	532 16 58-31	Link Asm Lift R.H.
13	532 12 46-70	Retainer Spring

KEY NO.	PART NO.	DESCRIPTION
15	532 17 32-88	Link Front
16	873 35 08-00	Nut Jam Hex 1/2-13 unc
17	532 17 56-89	Trunnion Blk Zinc
18	873 80 08-00	Nut Lock w/wsh 1/2-13 unc
19	532 13 98-68	Arm Suspension Mower
20	532 19 42-09	Pin Cotter 7/16 Bow Tie Lock
31	532 16 98-65	Bearing, Pvt. Lift.
32	873 54 06-00	Nut Crownlock 3/8-24

**NOTE:** All component dimensions given in U.S. inches  
1 inch = 25.4 mm

# REPAIR PARTS

TRACTOR-MODEL NO. LZ155H107RB (96061004801), PRODUCT NO. 960 61 00-48  
MOWER



107cm\_deck-elect.(CRD)\_2



## REPAIR PARTS

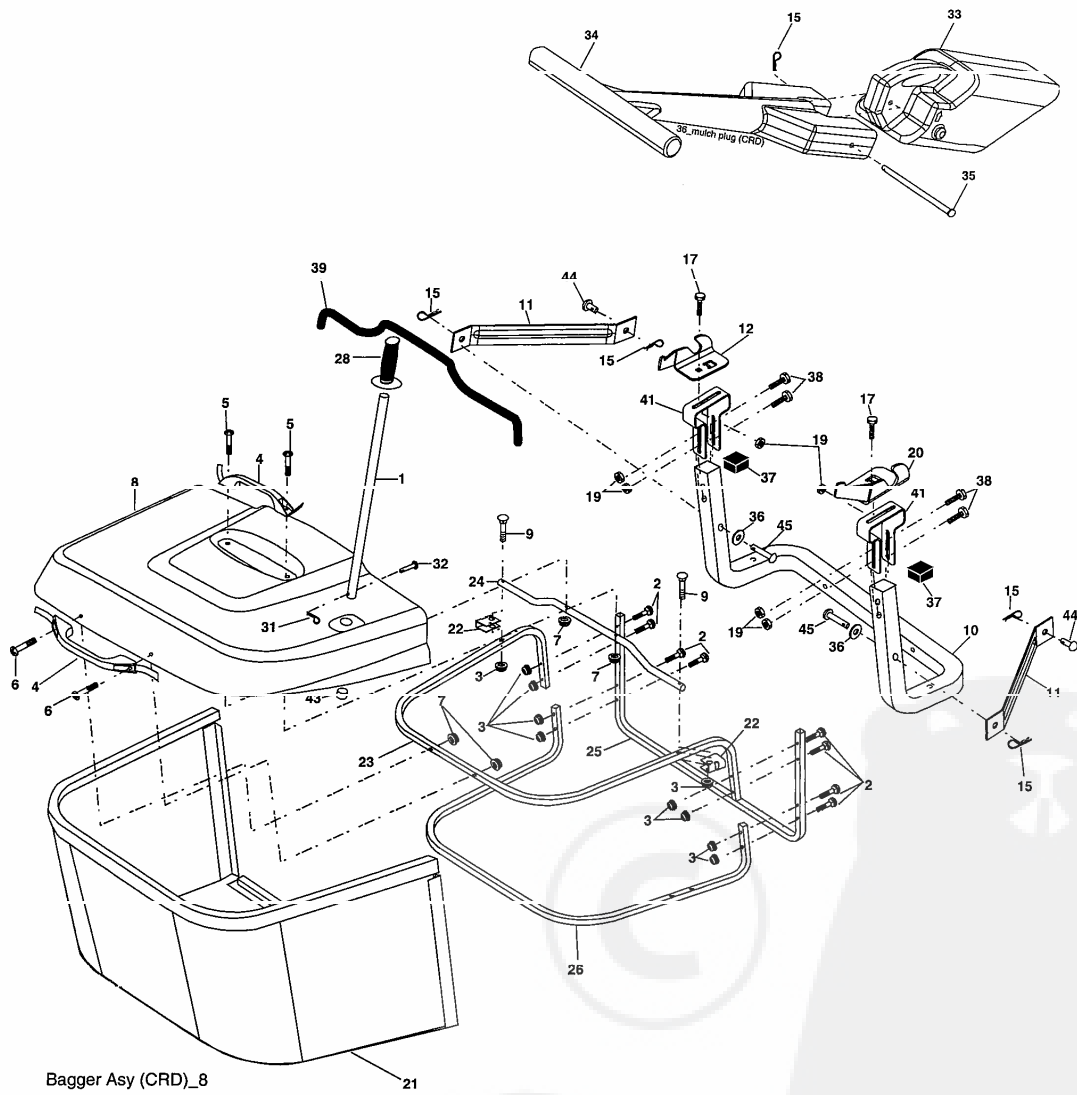
TRACTOR-MODEL NO. LZ155H107RB (96061004801), PRODUCT NO. 960 61 00-48  
MOWER

KEY NO.	PART NO.	DESCRIPTION	KEY NO.	PART NO.	DESCRIPTION
1	532 16 55-52	Housing Asm. Mower	45	532 17 55-39	Cover Mandrel Rh
2	872 14 05-06	Bolt Rdhd Sqnk 5/16-18 unc x 3/4	46	532 13 77-29	Screw Thd Roll 1/4-20 x 5/8
3	532 16 55-69	Bracket Asm. S-Bar Chass	55	532 16 54-45	Arm Idler
4	532 16 55-58	Bracket Bar Sway Deck	56	532 16 57-23	Spacer Retainer Mower
5	532 12 46-70	Retainer Spring	61	532 16 59-45	Spring Tension Belt
6	532 16 55-57	Bar Sway	67	532 10 69-32	Knob
8	532 18 17-12	Bolt 3/8-24 x 1.25 Gr. 8 Patched	68	532 18 02-17	Hex-Belt
9	810 03 06-00	Washer Lock Hvy 3/8 Unplated	69	532 16 54-82	Shaft Asm W/Lwr Brg Rh Thd CHD
11	532 18 63-85	Blade 3-1 Lh	84	532 15 60-85	Keeper Belt Idler
13	532 13 76-45	Shaft Asm. W/Lower Bearing	116	532 18 42-19	Bolt Shoulder
14	532 12 87-74	Housing Mandrel Vented (Machd)	117	532 17 48-73	Wheel Gage
15	532 11 04-85	Bearing Ball Mandrel	118	873 93 06-00	Nut Centerlock 3/8-16 unc
16	532 18 63-86	Blade 3-1 Rh	119	819 12 14-14	Washer 3/8 x 7/8 x 14 Ga.
17	872 14 06-10	Bolt Carriage 3/8-16 x 1-1/4	124	872 11 06-12	Bolt Carr Sh 3/8-16 x 1-1/2 Gr. 5
18	872 11 06-06	Bolt Rdhd Sqnk 3/8-16 x 3/4	130	872 11 05-06	Bolt Rdhdsqnk 5/16-18 unc x 3/4
19	532 13 28-27	Bolt Shoulder 5/16-18 Thd Form	131	532 16 56-61	Chute Bagger CRD 92cm
20	532 18 17-13	Bolt 3/8-24 x 1.25 Gr 8 Ptch Lhthd	152	532 17 60-74	Cable Clutch
21	873 68 05-00	Nut Crown Lock 5/16-18	158	817 72 04-08	Screw Thd Cut 1/4-20 x 1/2
22	532 16 52-43	Bracket Idler Sprt RR	161	532 18 63-87	Blade Cross LH
23	532 16 54-46	Bracket Idler Sprt RF	162	532 18 08-78	Adapter
24	532 16 52-42	Bracket Suspension LF	163	532 18 63-88	Blade Cross RH
25	532 16 52-44	Bracket Suspension RF	185	532 18 82-34	Head Asm Cable Clutch
26	532 16 52-37	Brace Support Susp Frt	--	532 18 18-57	Mandrel Asm Service
27	532 16 55-68	Bracket Asm. Susp RR	--	532 18 18-58	Mandrel Asm CRD Lh Threads SVC
28	532 16 55-67	Bracket Asm. Susp LR	--	532 18 85-23	Replacement Mower Complete (Std. Deck - Order separately gauge wheel components key nos. 116-119)
30	532 17 39-84	Screw Thd Rolling			
31	532 18 76-90	Washer Spacer			
32	532 15 35-31	Mandrel Pulleys			
33	532 17 83-42	Nut Flg Top Lock			
34	532 16 52-39	Bracket Gauge Wheel Lf			
35	532 16 52-38	Bracket Gauge Wheel Rf			
36	532 14 67-63	Pulley Idler V-Groove Dim 4.25			
40	873 68 06-00	Nut Crownlock 3/8-16 unc			
41	873 90 06-00	Nut 3/8-16			
44	532 17 55-38	Cover Mandrel Lh			

**NOTE:** All component dimensions given in U.S. inches  
1 inch = 25.4 mm

# REPAIR PARTS

TRACTOR-MODEL NO. LZ155H107RB (96061004801), PRODUCT NO. 960 61 00-48  
BAGGER



## REPAIR PARTS

TRACTOR-MODEL NO. LZ155H107RB (96061004801), PRODUCT NO. 960 61 00-48  
BAGGER

KEY NO.	PART NO.	DESCRIPTION
1	532 16 52-49	Tube Handle Bagger CRD
2	872 14 04-16	Bolt Carriage 1/4-20 x 2.0 Gr. 5
3	532 12 39-76	Nut Lock 1/4 Lge Flg Gr. 5 Zinc
4	532 16 99-16	Handle Bagger w/Lvrs Blk CRD
5	874 98 10-24	Screw Pan Head #10-24 x 1.50 Blk
6	874 98 10-32	Screw Pan Hd
7	873 40 10-00	Nut Wiz Lock Hex Serr/Hd 10-24
8	532 18 13-54	Cover Bagger
9	872 14 04-18	Bolt Carriage 1/4-20 x 2.25d x Gr. 5
10	532 18 12-82	Tube Support Bagger CRD
11	532 16 57-19	Bracket Support Upper Bag CRD
12	532 18 88-48	Bracket Pivot LH
15	532 12 46-70	Retainer Spring
17	872 14 05-06	Bolt Rdhd Sht Sqnk 5/16 -18 unc x 3/4
19	873 90 05-00	Nut Lock Hex Flange 5/16-18
20	532 18 88-47	Bracket Pivot RH
21	532 13 00-00	Bag Assm CRD
22	532 16 57-81	Bracket Side Bagger CRD
23	532 16 57-82	Tube Upper Bagger CRD
24	532 16 57-83	Tube Pivot Bagger CRD
25	532 18 01-24	Tube Front Bagger CRD
26	532 16 57-85	Tube Lower Bagger CRD
28	532 16 57-87	Grip Handle
31	532 16 94-84	Retainer Clip
32	532 12 68-75	Rivet Rd Hd Drilled 3/8 Dia
33	532 16 93-80	Plug Mulch 92
34	532 16 55-70	Handle Mulcher
35	532 16 55-72	Pin Mulcher
36	819 13 20-12	Washer 13/32 x 1-1/4 x 12 Ga.
37	532 17 54-01	Plug Support Bagger CRD
38	872 01 05-20	Bolt 5/16-18 x 2-1/2
39	532 18 09-85	Seal
41	532 16 96-83	Bracket Pnt Adj Pvt Bagger CRD
43	532 17 40-83	Plug Tubing End
44	532 19 33-12	Pin Clevis 3/8" x 11/16"
45	532 19 33-13	Pin Clevis 3/8" x 2.00"

**NOTE:** All component dimensions given in U.S. inches  
1 inch = 25.4 mm

## LIMITED WARRANTY

The Manufacturer warrants to the original consumer purchaser that this product as manufactured is free from defects in materials and workmanship. For a period of one (1) year from date of purchase by the original consumer purchaser, we will repair or replace, at our option, without charge for parts or labor incurred in replacing parts, any part which we find to be defective due to materials or workmanship. This Warranty is subject to the following limitations and exclusions.

1. This warranty does not apply to the engine. Please contact your nearest dealer where they will send the machine to the engine manufacturer.
2. Transportation charges for the movement of any power equipment unit or attachment are the responsibility of the purchaser. Transportation charges for any parts submitted for replacement under this warranty must be paid by the purchaser unless such return is requested by your dealer.
3. Battery Warranty: On products equipped with a Battery, we will replace, without charge to you, any battery which we find to be defective in manufacture, during the first ninety (90) days of ownership. After ninety (90) days, we will exchange the Battery, charging you 1/12 of the price of a new Battery for each full month from the date of the original sale. Battery must be maintained in accordance with the instructions furnished.
4. The Warranty period for any products used for rental or commercial purposes is limited to 90 days from the date of original purchase.
5. This Warranty applies only to products which have been properly assembled, adjusted, operated, and maintained in accordance with the instructions furnished. This Warranty does not apply to any product which has been subjected to alteration, misuse, abuse, improper assembly or installation, delivery damage, or to normal wear of the product.
6. Exclusions: Excluded from this Warranty are belts, blades, blade adapters, normal wear, normal adjustments, standard hardware and normal maintenance.
7. In case of any problem within the boundaries of this warranty, contact the nearest department store, indicate the model number, serial number and the date of purchase of your machine. This warranty does not apply to accidental damages. All implicit warranties are limited to the same time frames. Or contact:

E.M. Services  
54 Rue Lambrechts  
92400 Courbevoie  
France  
Telephone: (1) 46678078  
Fax: (1) 46678095

THIS WARRANTY DOES NOT APPLY TO INCIDENTAL OR CONSEQUENTIAL DAMAGES. ANY IMPLIED WARRANTIES ARE LIMITED TO THE SAME TIME PERIODS STATED HEREIN.

LAZER®

