

**ILLUSTRATED PARTS BREAKDOWN**

**PARTNER**

**11.0 HP 36" MOWER DECK**

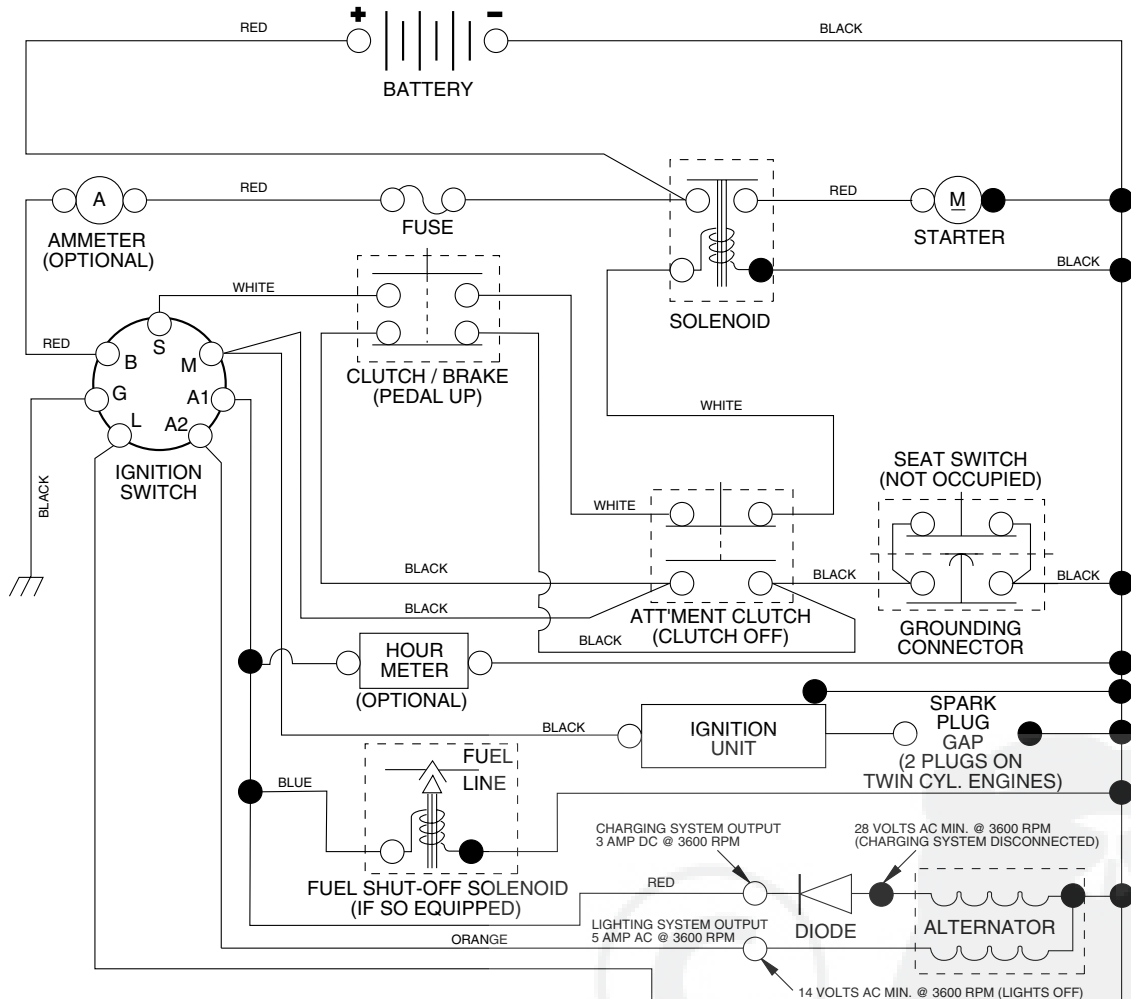
**LAWN TRACTOR**

**MODEL NO. P1192 (P1192C)**

**964 77 14-01**

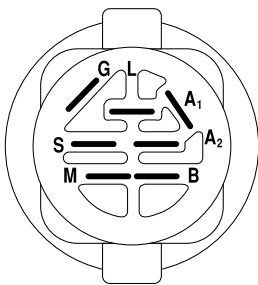


# TRACTOR- -MODEL NO. P1192 (P1192C) PRODUCT NO. 964 77 14-01 SCHEMATIC



## NOTE

YOUR TRACTOR IS EQUIPPED WITH A SPECIAL ALTERNATOR SYSTEM. THE LIGHTS ARE NOT CONNECTED TO THE BATTERY, BUT HAVE THEIR OWN ELECTRICAL SOURCE. BECAUSE OF THIS, THE BRIGHTNESS OF THE LIGHTS WILL CHANGE WITH ENGINE SPEED. AT IDLE THE LIGHTS WILL DIM. AS THE ENGINE IS SPEEDED UP, THE LIGHTS WILL BECOME THEIR BRIGHTEST.



## IGNITION SWITCH

POSITION	CIRCUIT	"MAKE"
OFF	M+G+A1	NONE
RUN/LIGHT	B+A1	A2+L
RUN	B+A1	NONE
START	B + S + A1	NONE

## WIRING INSULATED CLIPS

**NOTE:** IF WIRING INSULATED CLIPS WERE REMOVED FOR SERVICING OF UNIT, THEY SHOULD BE REPLACED TO PROPERLY SECURE YOUR WIRING.



# REPAIR PARTS

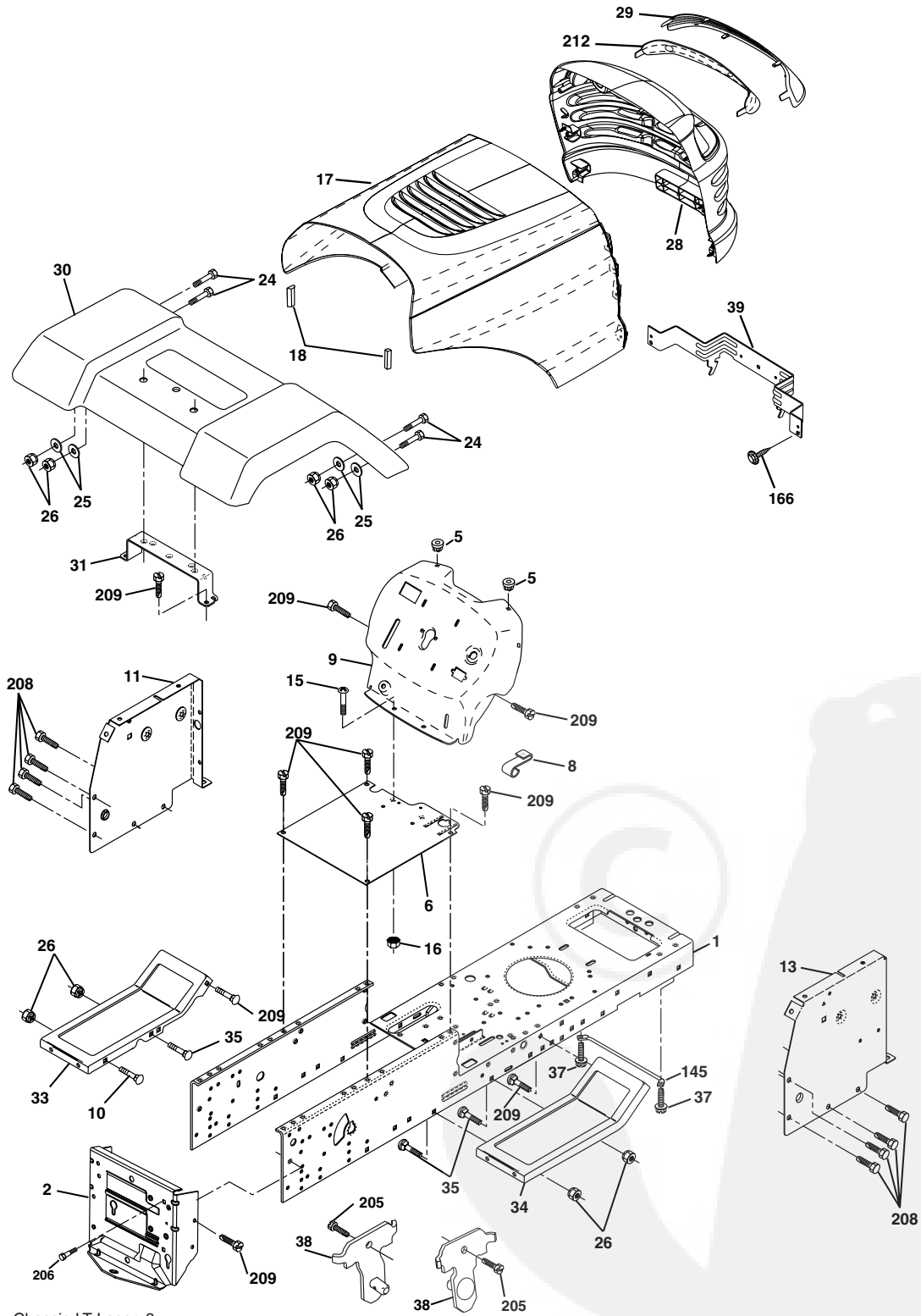
TRACTOR- -MODEL NO. P1192 (P1192C) PRODUCT NO. 964 77 14-01  
ELECTRICAL

KEY NO.	PART NO.	DESCRIPTION
1	532 16 34-65	Battery
2	874 76 04-12	Bolt Hex Hd 1/4-20 unc x 3/4
8	532 17 66-89	Box Battery Fender
16	532 17 61-38	Switch Interlock
21	532 17 56-88	Harness Headlight
22	532 00 41-52	Bulb
24	532 12 47-80	Cable Battery 6 Ga 11" Red
25	532 14 61-47	Cable Battery 6 Ga Red w/16 wir
26	532 17 51-58	Fuse
27	873 51 04-00	Nut Keps Hex 1/4-20 unc
28	532 12 47-73	Cable Ground 6 Ga 12" black
29	532 12 13-05	Switch Plunger Nc Gray
30	532 17 55-66	Switch Ignition
33	532 14 04-01	Key
40	532 17 97-20	Harness Ignition
41	871 11 04-08	Bolt Blk Fin Hex 1/4 - 20 x 1/2
42	532 13 15-63	Cover Terminal Red
43	532 17 88-61	Solenoid
48	532 14 08-44	Adapter Ammeter Rectangular
52	532 14 19-40	Protection Wire Loop
90	532 18 04-49	Cover Terminal Battery

**NOTE:** All component dimensions given in U.S. inches.  
1 inch = 25.4 mm.

# REPAIR PARTS

TRACTOR- -MODEL NO. P1192 (P1192C) PRODUCT NO. 964 77 14-01  
CHASSIS



Chassis-LT Laser\_3

# REPAIR PARTS

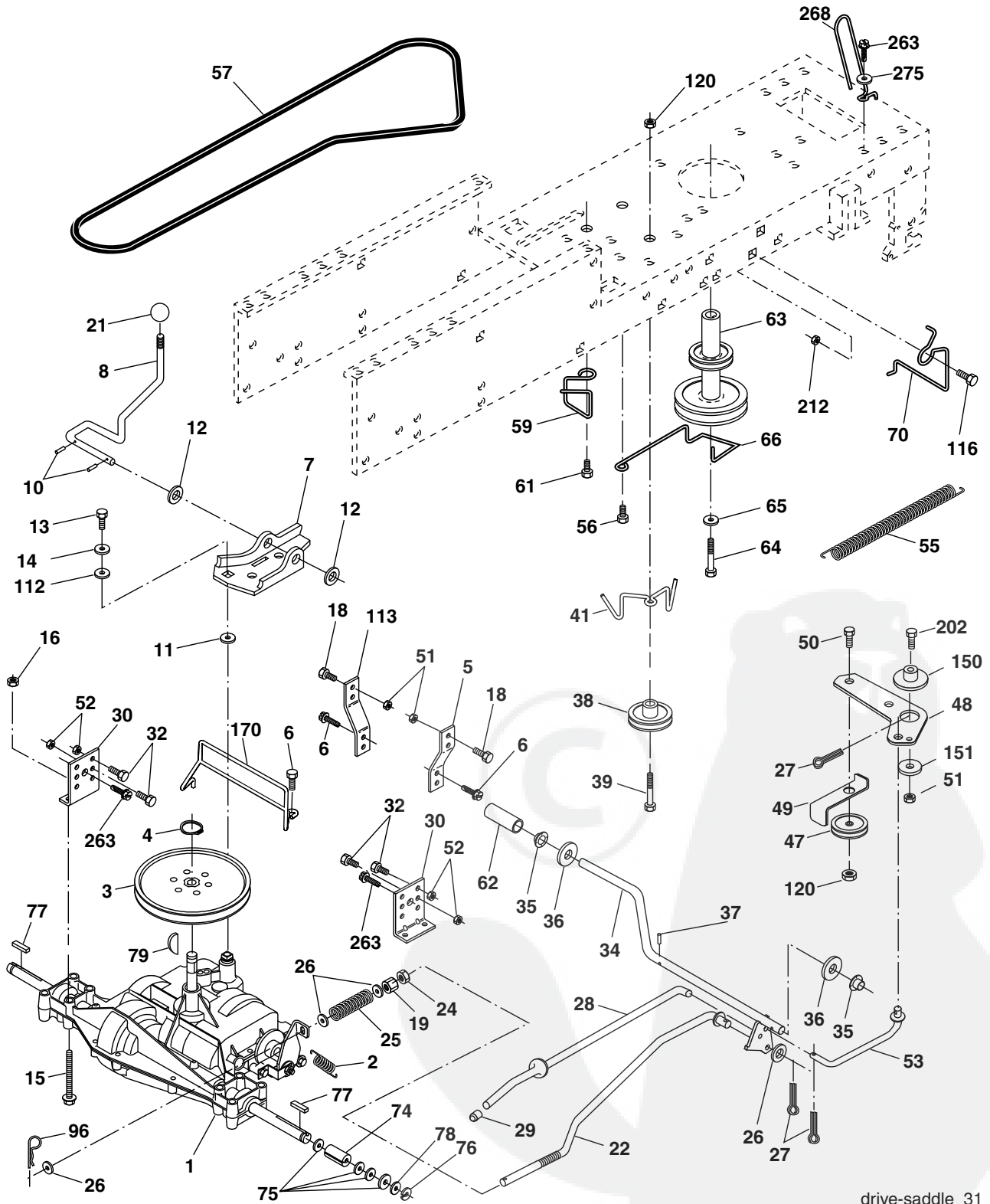
## TRACTOR- -MODEL NO. P1192 (P1192C) PRODUCT NO. 964 77 14-01 CHASSIS

KEY NO.	PART NO.	DESCRIPTION
1	532 17 46-20	Chassis
2	532 17 65-54	Drawbar
5	532 15 52-72	BumperHood/Dash
6	532 18 12-71	Saddle
8	532 15 51-38	Clip, Retainer Slide-On
9	<b>532 19 06-94</b>	Dash
10	872 14 06-08	Bolt, Carriage 3/8-16 x 1
11	532 17 49-96	Dashboard, Panel LH
13	532 18 17-19	Dashboard, Panel RH
15	874 18 05-12	Machine screw 5/16-18 unc x 3/4
16	873 51 05-00	Nut, Keps 5/16-18 Unc
17	532 18 29-07	Hood Pnt
18	532 18 49-21	BumperHood
24	874 78 06-16	Bolt, Hex Head, Fin. 3/8-16 x 1 Grade 5
25	819 13 13-12	Washer 13/32 x 13/16 x12 Gauge
26	873 80 06-00	Nut Lock Hex w/Ins. 3/8-16 Unc
28	532 17 97-49	Grille (Includes key Nos. 29, 212)
29	532 18 29-07	Lens
30	532 18 12-72	Fender
31	532 13 66-19	Fender Bracket
33	532 18 25-07	Footrest, LH
34	532 18 25-08	Footrest, RH
35	872 11 06-06	Bolt 3/8-16 X 3/4
37	817 49 05-08	Screw Thdrol 5/16-18 x 1/2
38	532 17 57-10	Bracket Asm. Pivot Mower Rear
39	532 17 47-14	Bracket Pivot Laser/Elite
145	532 15 65-24	Rod Pivot Chassis/Hood
166	<b>532 19 16-11</b>	Screw 10 x 3/4 Single Lead-Hex
205	817 49 06-08	Screw Thdrol 3/8-16 x 1/2
206	532 17 01-65	Bolt Shoulder 5/16-18 TT
208	817 67 06-08	Screw Thdrol 3/8-16 x 1/2
209	817 00 06-12	Screw Hexwsh Thdr 3/8-16 x 3/4
212	532 17 51-43	Insert Lens Reflective
--	532 00 54-79	Button Plug

**NOTE:** All component dimensions given in U.S. inches.  
1 inch = 25.4 mm.

# REPAIR PARTS

TRACTOR- -MODEL NO. P1192 (P1192C) PRODUCT NO. 964 77 14-01  
DRIVE



drive-saddle\_31

# REPAIR PARTS

## TRACTOR- -MODEL NO. P1192 (P1192C) PRODUCT NO. 964 77 14-01 DRIVE

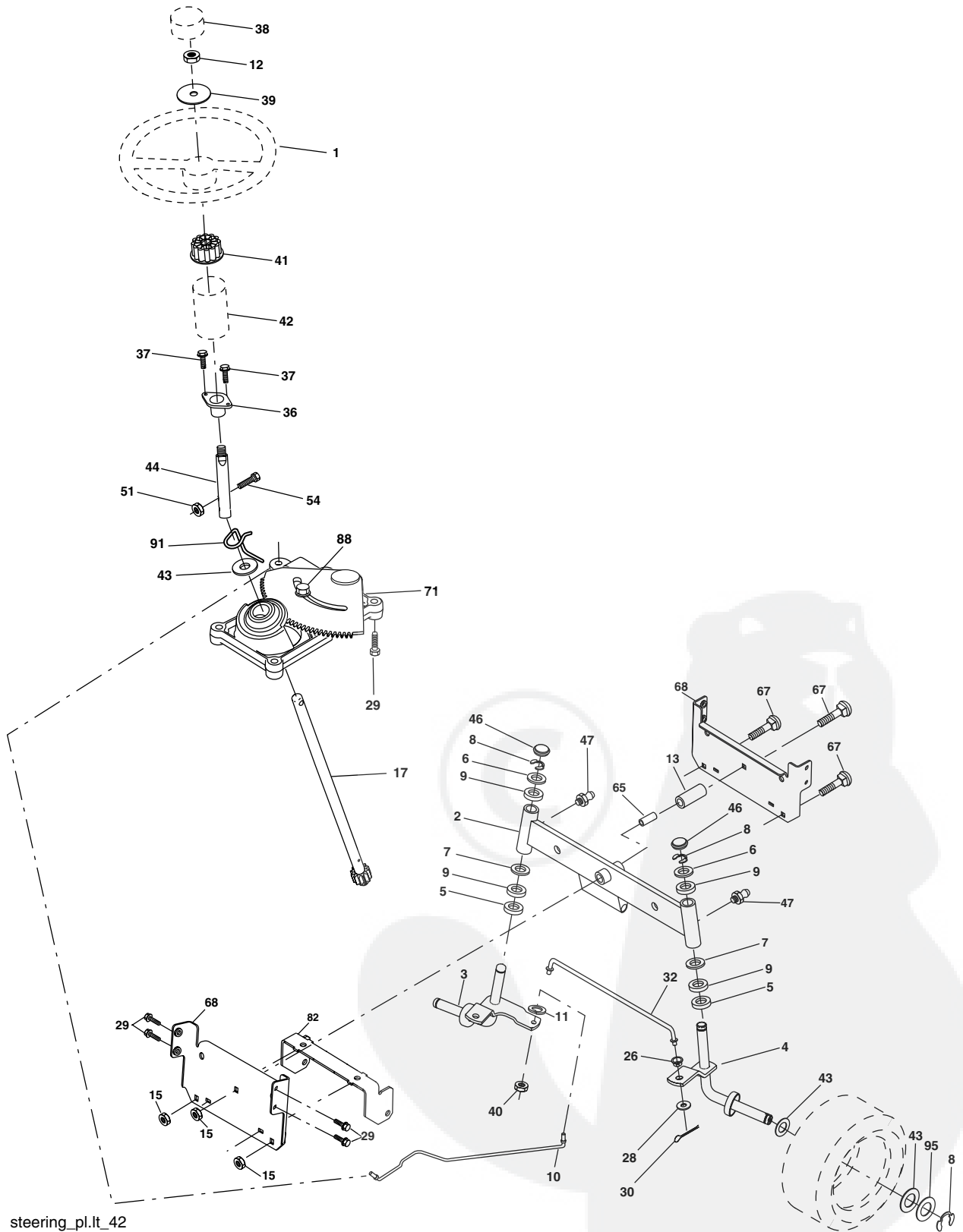
KEY NO.	PART NO.	DESCRIPTION	KEY NO.	PART NO.	DESCRIPTION
1	-----	Transaxle Peerless, Model 204-506B (Order parts from transaxle manufacturer)	47	532 12 77-83	Pulley, Idler
2	532 14 66-82	Spring, Brake Return	48	532 15 44-07	Bellcrank Asm Clutch
3	532 12 36-66	Pulley, Transaxle	49	532 12 32-05	Retainer, Belt
4	812 00 00-28	Ring, Retainer	50	872 11 06-12	Bolt, Carr. Sh 3/8-16 x 1-1/2 Gr. 5
5	532 12 15-20	Strap, Torque	51	873 68 06-00	Nut, Crownlock 3/8-16
6	817 00 05-12	Screw, 5/16-18 x 3/4 SMGML	52	873 68 05-00	Nut, Crownlock 5/16-18
7	532 16 22-40	Bracket, T/A, Saddle Shift	53	532 10 57-10	Link, Clutch
8	532 13 16-79	Rod, Shifter	55	532 10 57-09	Spring, Return, Clutch
10	876 02 04-16	Pin, Cotter 1/8 x 1	56	817 06 06-20	Screw 3/8-16 x 1-1/4
11	532 10 57-01	Washer, Shift Plate	57	532 13 08-01	V-Belt, Drive
12	819 15 12-16	Washer 15/32 x 3/4 x 16	59	532 16 96-91	Keeper Belt Center Span
13	874 55 04-12	Bolt 1/4-28 UNF Gr. 8 w/Patch	61	817 12 06-14	Screw 3/8-16 x .875
14	810 04 04-00	Washer Lock	62	532 12 48-72	Cover, Foot Pedal
15	874 49 05-44	Bolt, Hex Flgld 5/16-18 Gr. 5	63	532 18 02-19	Pulley, Engine
16	873 80 05-00	Nut Lock 5/16-18 unc	64	532 17 39-37	Bolt, Hex 7/16-20 x 4 Gr. 5
18	874 78 06-16	Bolt, Fin Hex 3/8-16 Unc x 1 Gr. 5	65	810 04 07-00	Washer, Lock Hvy Hlcl Spr 7/16
19	873 80 06-00	Locknut 3/8-16	66	532 15 47-78	Keeper, Belt Engine F-Proof
21	532 10 69-33	Knob	70	532 18 02-18	Guide Belt Mower Drive RH
22	532 13 08-04	Rod, Brake	74	532 13 70-57	Spacer, Split
24	873 35 06-00	Nut, Hex Jam 3/8-16	75	532 12 17-49	Washer 25/32 x 1-1/4 x 16 Ga.
25	532 10 68-88	Spring, Rod, Brake	76	812 00 00-01	E-Ring
26	819 13 13-16	Washer 13/32 x 13/16 x 16 Ga.	77	532 12 35-83	Key Square
27	876 02 04-12	Pin, Cotter 1/8 x 3/4	78	5321217-48	Washer 25/32 x 1-5/8 x 16 Ga.
28	532 17 57-65	Rod, Brake, Park	79	532 12 50-96	Key Woodruff #9 3/16 x 3/4
29	532 07 16-73	Cap, Plunger	96	532 12 47-80	Retainer Spring 1" Ziinc/Cad
30	532 17 49-73	Bracket, Transaxle, L.H.	112	819 09 12-10	Washer 9/32 x 3/4 x 10 Ga.
32	874 76 05-12	Bolt Hex Hd 5/16-18 unc x 3/4	113	532 12 72-85	Strap Torque L.H. Lt
34	532 17 55-78	Shaft, Foot Pedal	116	872 14 06-08	Bolt RDHD SQNK 3/8-16unc x 1
35	532 12 01-83	Bearing Nylon	120	873 90 06-00	Nut Lock Flg. 3/8-16 Unc
36	819 21 16-16	Washer 21/32 x 1 x 16 Ga.	150	532 17 54-56	SpacerRetainer
37	532 12 49-63	Pin,Roll 3/16 x 1	151	819 13 32-10	Washer 13/32 x 2 x 10 Ga.
38	532 17 91-14	Pulley Idler	170	532 18 74-14	Keeper, Belt, Transaxle
39	872 11 06-22	Bolt 3/8-16 unc x 2-3/4 Gr. 5	202	872 11 06-14	Bolt Carr Sh 3/8-16 x 1-3/4 Gr. 5
41	532 17 55-56	Keeper, Belt	212	532 14 52-12	Nut Hex Flange Lock
			263	817 00 06-12	Screw, 3/8-16 x 3/4 SMGML
			268	532 18 24-02	Guard Muffler
			275	819 13 16-14	Washer 13/32 x 1 x 14 Ga.

**NOTE:** All component dimensions given in U.S. inches  
1 inch = 25.4 mm



# REPAIR PARTS

TRACTOR- -MODEL NO. P1192 (P1192C) PRODUCT NO. 964 77 14-01  
STEERING ASSEMBLY



steering\_pl.it\_42

# REPAIR PARTS

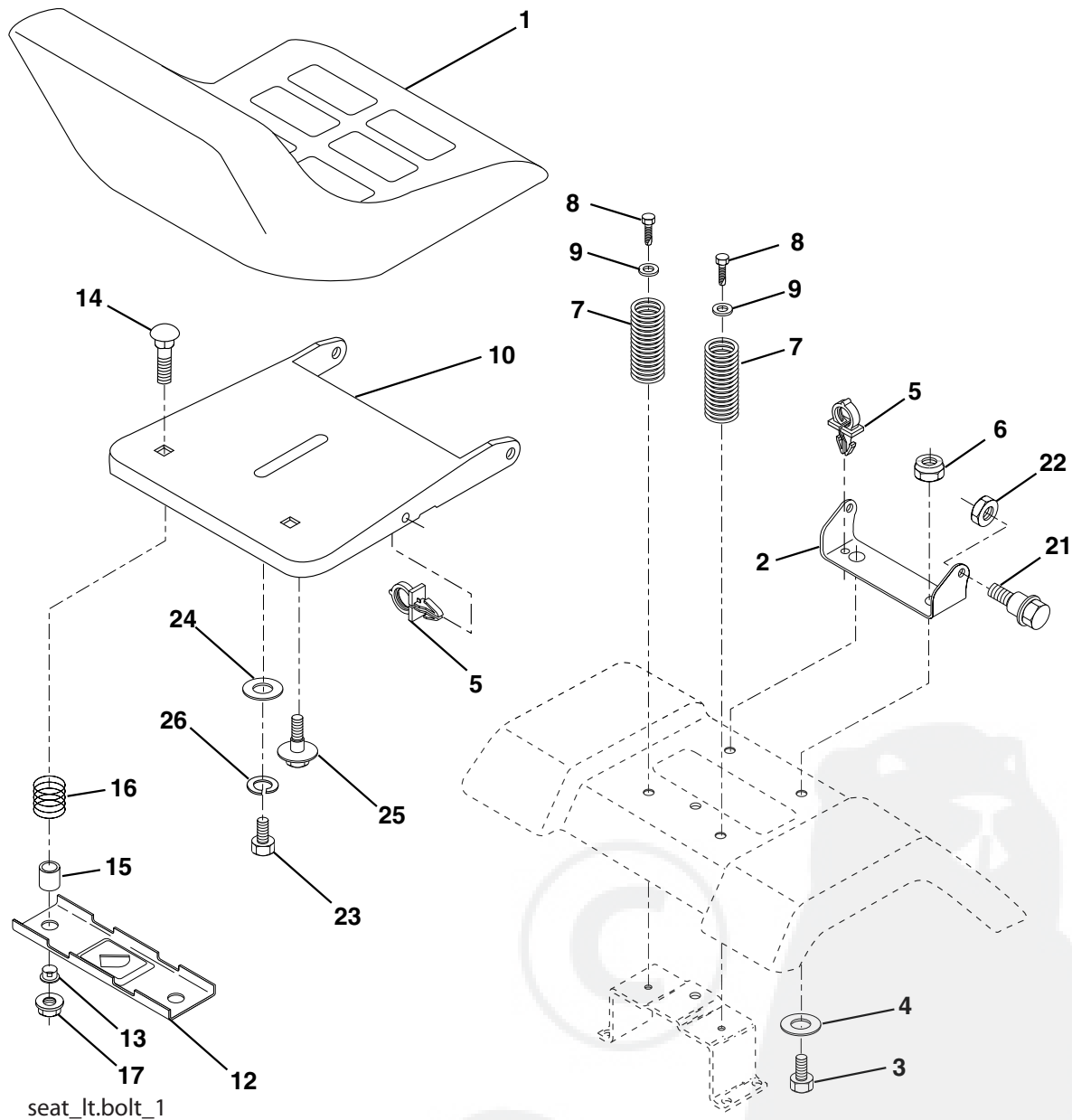
## TRACTOR- -MODEL NO. P1192 (P1192C) PRODUCT NO. 964 77 14-01 STEERING ASSEMBLY

KEY NO.	PART NO.	DESCRIPTION
1	532 13 97-68	Wheel Steering Opp. Sears Blk
2	532 17 51-31	Axle Asm
3	532 16 98-40	Spindle Asm LH
4	532 16 98-39	Spindle Asm RH
5	5321249-31	Bearing Race Thrust Harden
6	532 12 17-48	Washer 25/32 x 1-5/8 x 16 Ga.
7	819 27 20-16	Washer 27/32 x 1-1/4 x 16 Ga.
8	812 00 00-29	Ring Klip #t5304-75
9	532 12 49-37	Bearing Col Strg Blk
10	532 17 51-21	Link Drag
11	810 04 06-00	Washer Lock Hvy Hlcl Spr 3/8
12	873 94 08-00	Nut Hex Jam Toplock 1/2-20
13	532 13 65-18	Spacer Brace Axle
15	532 14 52-12	Nut Hexflange Lock
17	532 18 06-41	Shaft Asm Strg
26	532 12 68-47	Bushing Link Drag Blk LR
28	819 13 14-16	Washer 13/32 x 7/8 x 16 Ga.
29	817 00 06-12	Screw 3/8-16 x .75
30	876 02 04-12	Pin Cotter 1/8 x 3/4 Cad
32	532 13 04-65	Rod Tie Wire Form 19 75 Mech
36	532 15 50-99	Bushing Strg Nat .623/.618ld
37	532 15 29-27	Screw TT #10-32 x 5 x 3/8 Flange
38	532 14 01-75	Cap Wheel Steer P/L
39	819 18 38-12	Washer 9/16 x 2-3/8
40	873 54 06-00	Nut Crownlock 3/8-24
41	532 18 67-37	Adaptor Wheel Strg
42	532 16 96-33	Boot Shaft Steering
43	532 12 17-49	Washer 25/32 X 1 1/4 X 16 Ga.
44	532 18 06-40	Extension Steering
46	532 12 12-32	Cap Spindle Fr Top Blk
47	532 18 32-26	Fitting Grease
51	873 54 04-00	Nut 1/4-28
54	871 13 04-20	Bolt Hex 1/4-28 x 1-1/4
65	532 16 03-67	Spacer Brace Axle
67	872 11 06-18	Bolt RDHD SQ 3/8-16 UNC x 2-1/4
68	532 16 98-27	Brace Axle
71	532 17 51-46	Steering Asm
82	532 16 98-35	Bracket Susp. Chassis Front
88	532 17 51-18	Bolt Shoulder 7/16-20
91	532 17 55-53	Cup Steering
95	532 18 89-67	Washer Hardened

**NOTE:** All component dimensions given in U.S. inches.  
1 inch = 25.4 mm.

# REPAIR PARTS

TRACTOR- -MODEL NO. P1192 (P1192C) PRODUCT NO. 964 77 14-01  
SEAT ASSEMBLY



KEY NO.	PART NO.	DESCRIPTION
1	532 17 53-89	Seat
2	532 14 05-51	Bracket Pivot Seat 8 720
3	871 11 06-16	Bolt Fin Hex 3/8-16unc x 1
4	819 13 16-10	Washer 13/32 x 1 x 10 Ga
5	532 14 50-06	Clip Push-In
6	873 80 06-00	Nut Lock Hex w/Wsh 3/8-16 Unc
7	532 12 41-81	Spring Seat Cprsn 2 250 Blk Zi
8	817 00 06-16	Screw 3/8-16 x 1.5
9	819 13 16-14	Washer 13/32 x 1 x 14 Ga.
10	532 18 24-93	Pan Seat
12	532 12 12-46	Bracket Mounting Switch
13	532 12 12-48	Bushing Snap Blk Nyl 50 Id
14	872 05 04-12	Bolt Rdhd Sht Nk 1/4-20 x 1-1/2

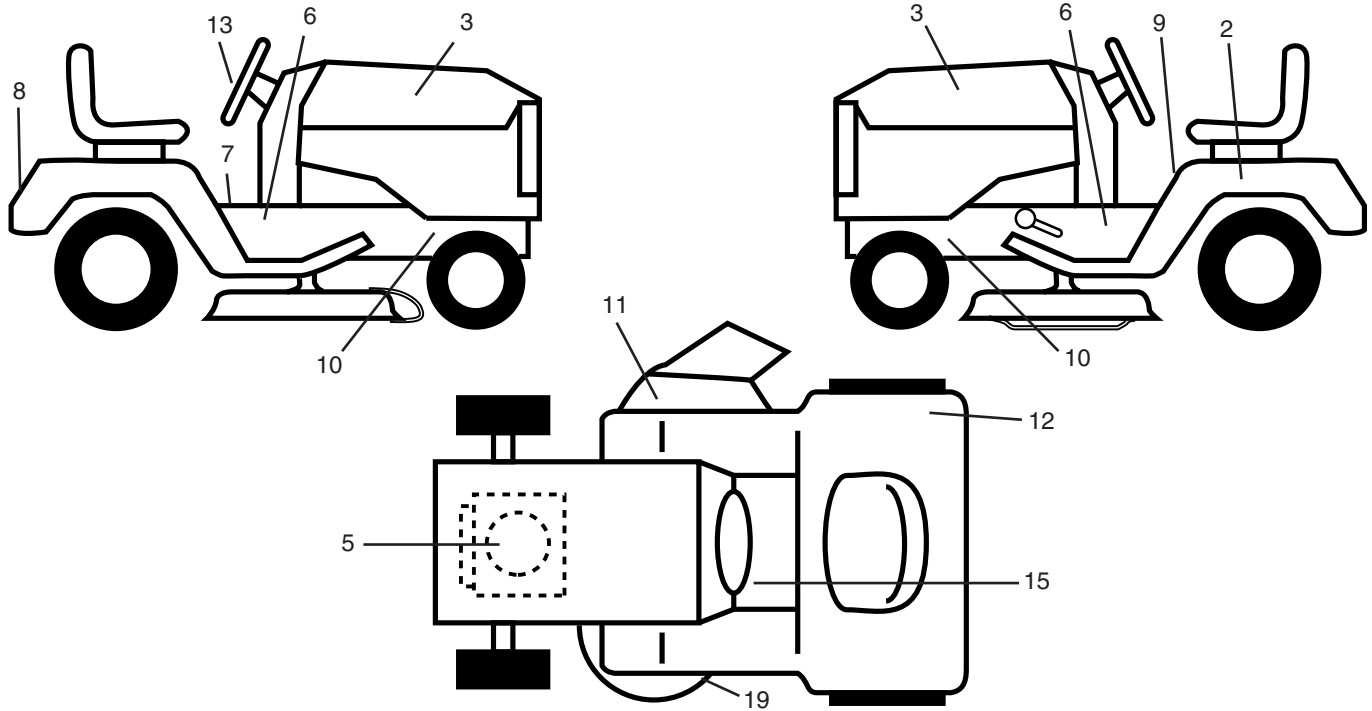
KEY NO.	PART NO.	DESCRIPTION
15	532 13 43-00	Spacer Split 28 x 96 Yel Zinc
16	532 12 12-50	Spring Cprsn 1 27 Blk Pnt
17	532 12 39-76	Nut Lock 1/4 Lge Flg Gr 5 Zinc
21	532 17 18-52	Bolt Shoulder 5/16-18 Unc -2A
22	873 80 05-00	Nut Lock Hex W/Insert 5/16-18 UNC
23	871 11 08-14	Bolt Hex
24	819 17 19-12	Washer 17/32 x 1-3/16 x 12 Ga.
25	532 12 70-18	Bolt Shoulder 5/16-18 x 62
26	810 04 08-00	Washer Lock Hvy HLCLSPR 1/2

**NOTE:** All component dimensions given in U.S. inches.  
1 inch = 25.4 mm

# REPAIR PARTS

TRACTOR- -MODEL NO. P1192 (P1192C) PRODUCT NO. 964 77 14-01

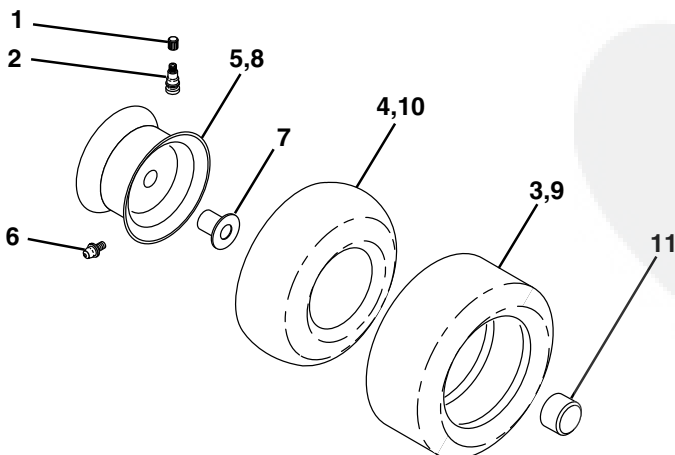
## DECALS



KEY NO.	PART NO.	DESCRIPTION
2	532 14 50-05	Decal Bat Dan/Poi P/L Symbols
3	532 18 56-46	Decal Hood
5	532 18 47-64	Decal Engine
6	532 18 56-51	Decal Chas. Turbo Collection
7	532 14 08-37	Decal Saddle Brake Parking
8	532 18 89-88	Decal Fender Logo
9	532 14 54-98	Decal Read Owners Manual Syms
10	532 15 97-36	Decal Chassis Hot Muffler

KEY NO.	PART NO.	DESCRIPTION
11	532 18 21-66	Decal Mower Cut finger Symbol
12	532 18 04-32	Decal 100 DbA
13	532 18 56-47	Decal Strg Wheel Cap
15	532 15 97-37	Decal Brake/Clutch
19	532 13 68-32	Decal V-Belt Sch
--	532 16 25-98	Decal Drawbar Load Limit
--	532 13 83-11	Decal Lift Handle (Lift Handle)
--	532 18 51-49	Manual Operator's Euro
--	532 18 52-38	Manual Operator's Scan

## WHEELS & TIRES

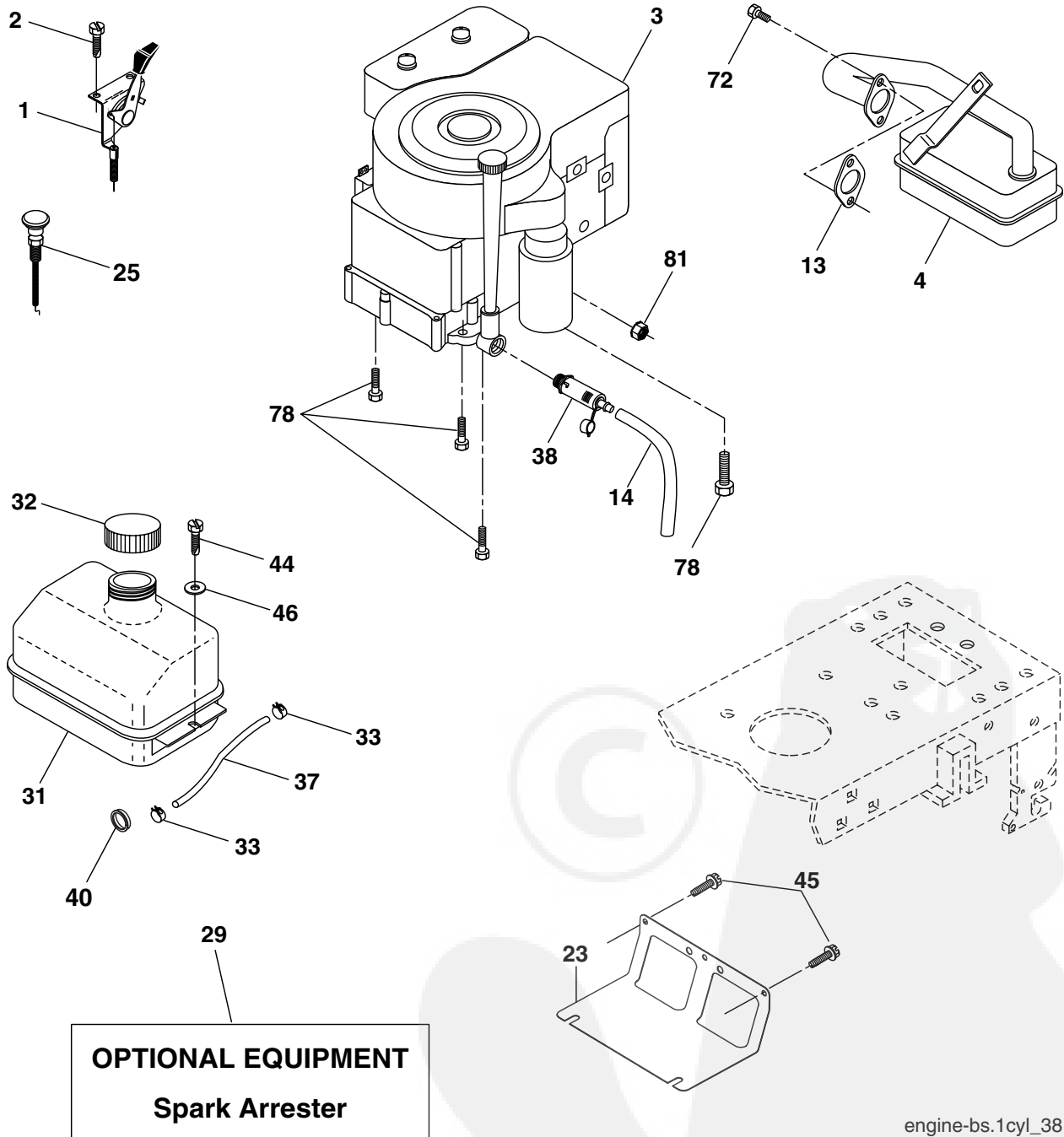


KEY NO.	PART NO.	DESCRIPTION
1	532 05 91-92	Cap Valve Tire
2	532 06 51-39	Stem Valve
3	532 12 41-57	Tire F Ts 15 X 6 - 6 Service
4	532 05 99-04	Tube Front (Service Item Only)
5	532 18 33-37	Rim Asm 6" front Service
6	532 12 49-57	Fitting Grease (Front Wheel Only)
7	532 12 49-59	Bearing Flange (Front Wheel Only)
8	532 18 33-38	Rim Asm 8" rear Service
9	532 12 39-69	Tire R Ts 18 x 8.5-8 C. Service
10	532 12 49-26	Tube Rear (Service Item Only)
11	532 17 50-39	Cap Axle Blk 1 50 X 1 00

**NOTE:** All component dimensions given in U.S. inches  
1 inch = 25.4 mm

# REPAIR PARTS

TRACTOR- -MODEL NO. P1192 (P1192C) PRODUCT NO. 964 77 14-01  
ENIGNE



engine-bs.1cyl\_38

# REPAIR PARTS

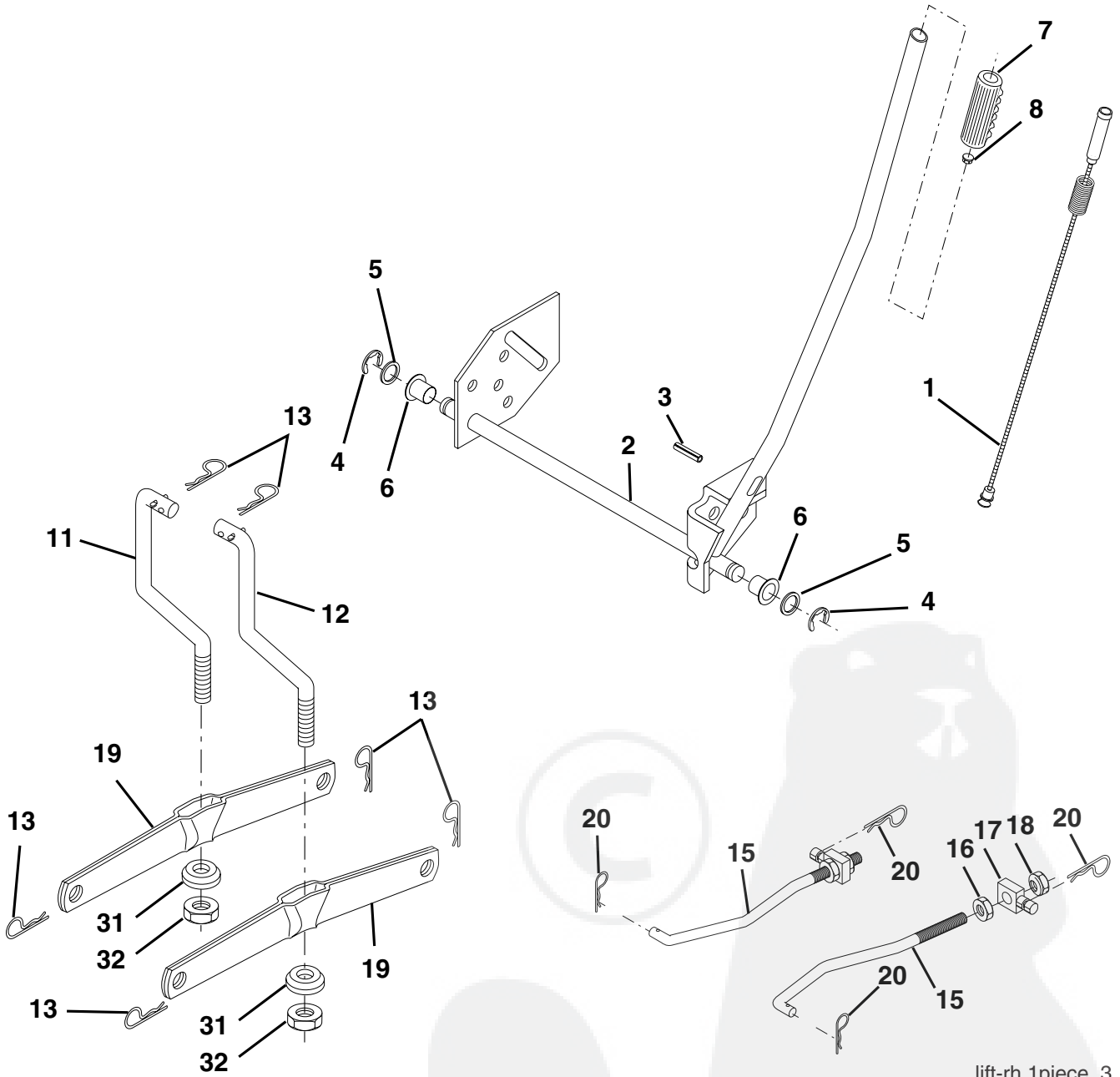
TRACTOR- -MODEL NO. P1192 (P1192C) PRODUCT NO. 964 77 14-01  
ENIGNE

KEY NO.	PART NO.	DESCRIPTION
1	532 17 05-51	Control Th/ch Flag
2	817 72 04-08	Screw Hex Thd Cut 1/4-20 x 1/2
3	-----	Engine B&S Model No. 21A807 (Order parts from engine manufacturer)
4	532 17 97-58	Muffler
13	532 16 52-91	Gasket Eng
14	532 14 84-56	Tube Drain Oil Easy
23	532 16 98-37	Shield Brn/Dbr Guard
25	<b>532 19 06-95</b>	Control Choke
29	532 13 71-80	Kit Spark Arrecter
31	532 18 49-00	Tank Fuel Front 1.25
32	532 14 05-27	Cap Asm Fuel W/sym Vented
33	532 12 34-87	Clamp Hose Blk
37	532 13 70-40	Line Fuel 20"
38	532 18 16-54	Plug Oil Drain Easy
40	532 12 40-28	Bushing Snap Nyl Blk Fuel Line
44	817 67 04-12	Screw Hexwsh Thdrol 1/4-20 x 3/4
45	817 00 06-12	Screw Hexwsh Thdrol 3/8-16 x 3/4
46	819 09 14-16	Washer 9/32 x 7/8 x 16 Ga.
72	532 18 39-06	Screw Socket Head 5/16-18 x 1
78	817 06 06-20	Screw 3/8-16 x 1-1/4
81	873 51 04-00	Nut Keps Hex 1/4-20 UNC

**NOTE:** All component dimensions given in U.S. inches  
1 inch = 25.4 mm

# REPAIR PARTS

TRACTOR- -MODEL NO. P1192 (P1192C) PRODUCT NO. 964 77 14-01  
MOWER LIFT



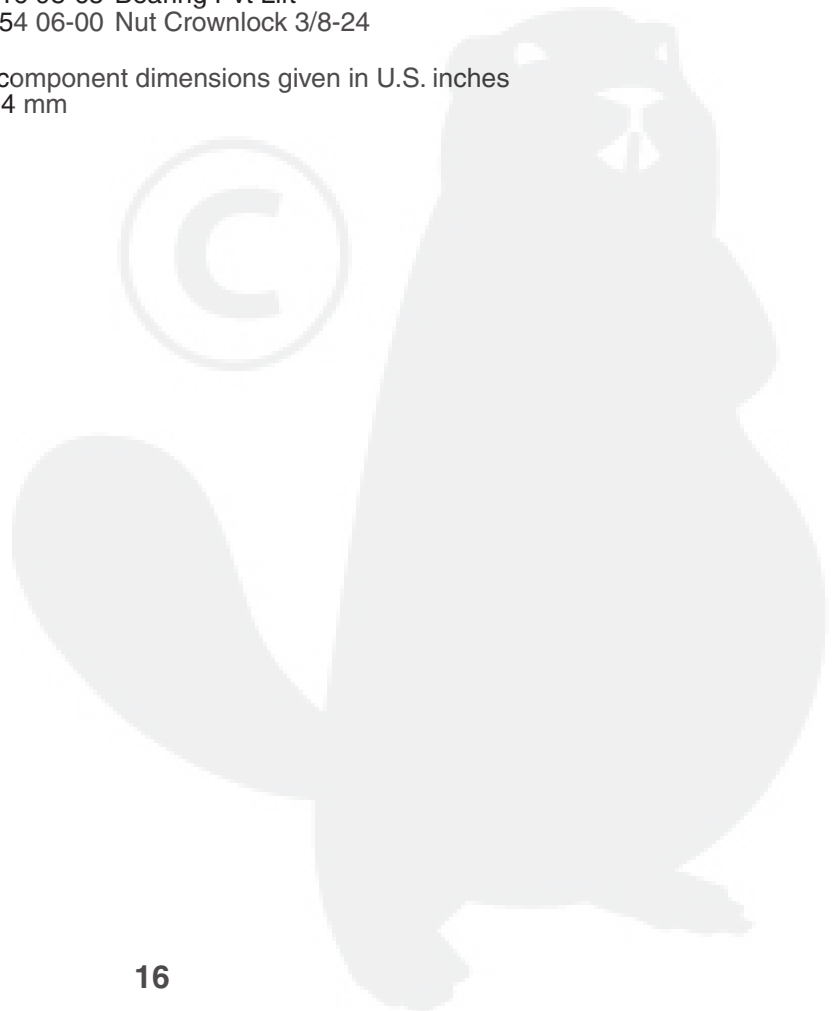
lift-rh.1piece\_3

# REPAIR PARTS

TRACTOR- -MODEL NO. P1192 (P1192C) PRODUCT NO. 964 77 14-01  
MOWER LIFT

KEY NO.	PART NO.	DESCRIPTION
1	532 15 94-60	Wire Asm Inner W/Plunger
2	532 15 94-71	Shaft Asm Lift
3	532 10 57-67	Pin Groove
4	812 00 00-02	E Ring #5133-62
5	819 21 16-21	Washer PLTD 21/32 x 1 x 21Ga
6	532 12 01-83	Bearing Nylon Blk 629 Id
7	532 10 94-13	Grip Handle Bicycle Matte Blk
8	532 12 45-26	Button Plunger Black
11	532 13 98-65	Link Lift LH
12	532 13 98-66	Link Lift RH
13	532 12 46-70	Retainer Spring
15	532 17 32-88	Link Front
16	873 35 08-00	Nut Jam Hex 1/2-13 Unc
17	532 17 56-89	Trunnion
18	873 80 08-00	Nut Lock W/Wsh 1/2-13 Unc
19	532 13 98-68	Arm Suspension Rear
20	532 16 35-52	Retainer Spring
31	532 16 98-65	Bearing Pvt Lift
32	873 54 06-00	Nut Crownlock 3/8-24

**NOTE:** All component dimensions given in U.S. inches  
1 inch = 25.4 mm







# REPAIR PARTS

TRACTOR- -MODEL NO. P1192 (P1192C) PRODUCT NO. 964 77 14-01  
MOWER

KEY NO.	PART NO.	DESCRIPTION	KEY NO.	PART NO.	DESCRIPTION
1	532 17 45-95	Mower Deck Assembly	54	532 17 85-15	Washer,Hardened
2	872 14 05-06	Bolt	55	532 13 38-40	Idler Arm Assembly
3	532 13 80-17	Bracket Assembly,Sway Bar	56	532 16 57-23	Spacer, Retainer
4	532 17 56-54	Bracket Sway Bar	67	532 10 69-32	Knob RD 3/8-16 Plstc Thd
5	532 12 46-70	Retainer Spring	68	532 18 02-13	Belt
6	532 17 80-24	Bar Sway Deck	89	819 13 13-11	Washer 13/32 x 13/16 x 1 Ga
7	532 14 06-08	Keeper Belt	107	532 13 35-02	Spacer, Retainer
8	532 85 08-57	Bolt, Hex 3/8-24 x 1.25 Gr. 8	108	532 13 35-03	Stiffener, Idler Arm
9	810 03 06-00	Washer, Lock Hvy Hlcl 3/8	113	817 49 05-08	Screw Thdrol 5/16-18 x 1/2
10	532 14 02-96	Washer,Hardened	122	532 17 45-05	Rod, Brake, LH
11	532 13 84-96	Blade, Mower	123	532 17 45-04	Rod, Brake, RH
13	532 13 76-45	Shaft Assembly, Mandrel, Vented	146	532 16 58-91	Bolt Carriage Idler
14	532 12 87-74	Housing, Mandrel, Vented	148	532 16 90-22	Spring Return Idler
15	532 11 04-85	Bearing, Ball, Mandrel	149	532 16 58-98	Retainer Spring Yellow Zinc
16	532 17 44-93	Stripper, Mower Deck	150	819 09 12-10	Washer 9/32 x 3/4 x 10 Ga.
19	532 13 28-27	Bolt, Shoulder	152	532 17 60-79	Cable Clutch
21	873 68 05-00	Nut Crownlock 5/16-18	158	817 72 04-08	Screw Hex Thd Cut 1/4-20 x 1/2
23	532 13 66-31	Bracket, Mower Deflector	164	532 17 49-76	Bracket Asm Idler Support
24	532 10 53-04	Cap, Sleeve	168	532 17 23-77	Bracket Deck Cable
25	532 12 37-13	Spring, Torsion, Deflector	169	532 17 49-77	Bracket Asm Suspension
26	532 11 04-52	Nut, Push	170	532 17 23-59	Bracket Suspension RF
27	532 17 61-62	Shield, Deflector	171	532 16 52-37	Brace Support Susp. Frt
28	819 11 10-16	Washer 11/32 x 5/8 x 16 Ga.	172	532 17 23-55	Bracket Suspension LF
29	532 12 19-80	Rod, Hinge	185	532 18 82-34	Head Asm Cable Clutch
30	532 17 39-84	Screw Thdrol	--	532 13 07-94	Mandrel Assembly (Includes Housing, Shaft and Shaft Hardware Only - Pulley Not Included)
31	532 18 76-90	Washer, Spacer	--	532 18 13-76	ReplacementMower,Complete
32	532 15 35-31	Pulley, Mandrel			
33	532 17 83-42	Nut, Toplock, Flanged			
34	872 11 06-14	Bolt Rdhd 3/8-16 x 1-3/4			
36	532 13 14-94	Pulley, Idler, Flat			
40	873 68 06-00	Nut Crownlock 3/8-16			
45	532 12 47-88	Retainer, Spring			
53	532 13 08-40	Brake Assembly			

**NOTE:** All component dimensions given in U.S. inches  
1 inch = 25.4 mm