

**ILLUSTRATED PARTS BREAKDOWN**

**PARTNER**

**11.0 HP 92 LAWN TRACTOR**

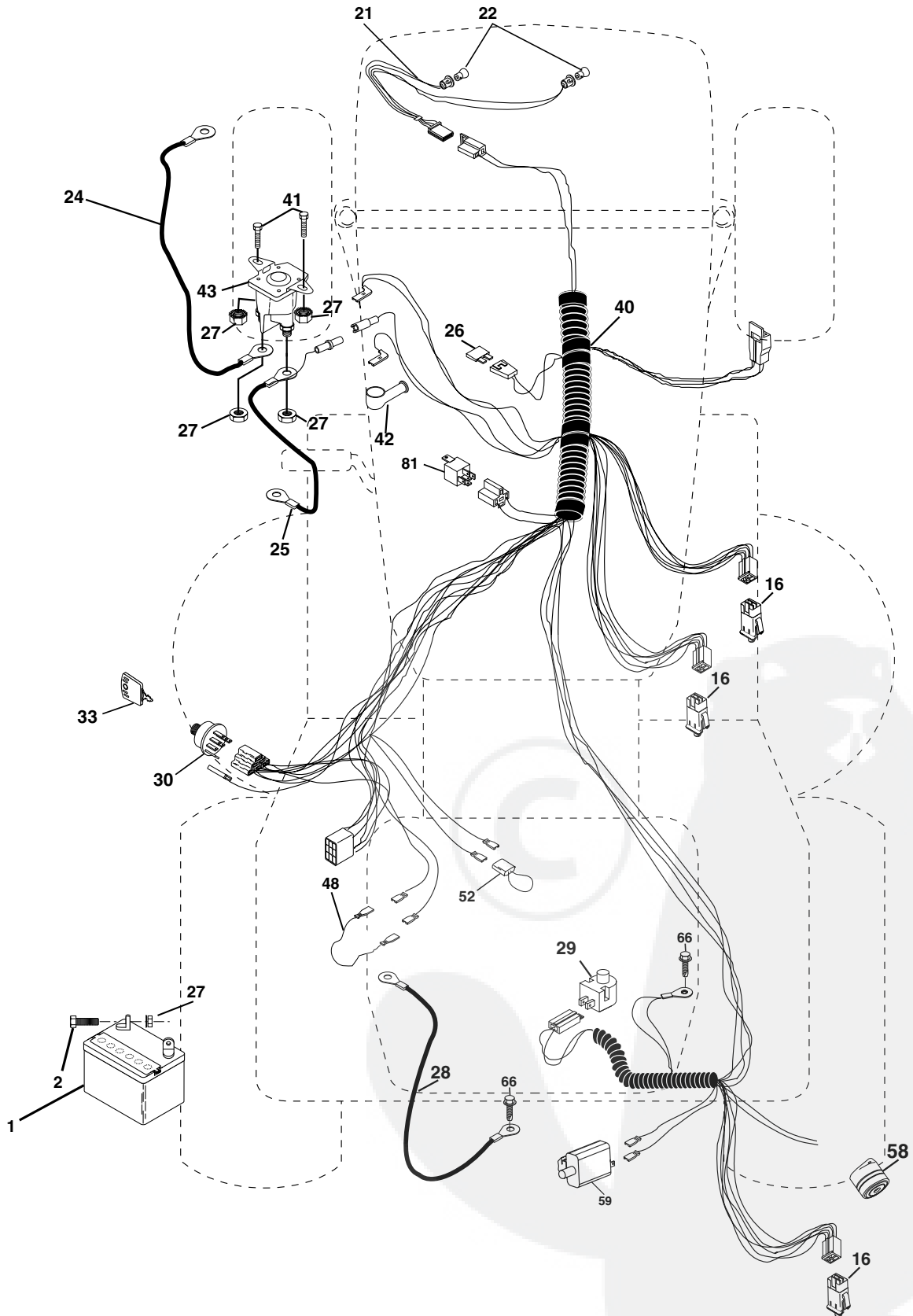
**MODEL NO. P11CRD (P11CRDA)**

**964 78 02-00**



# REPAIR PARTS

TRACTOR- -MODEL NO. P11CRD (P11CRDA) PRODUCT NO. 964 78 02-00  
ELECTRICAL

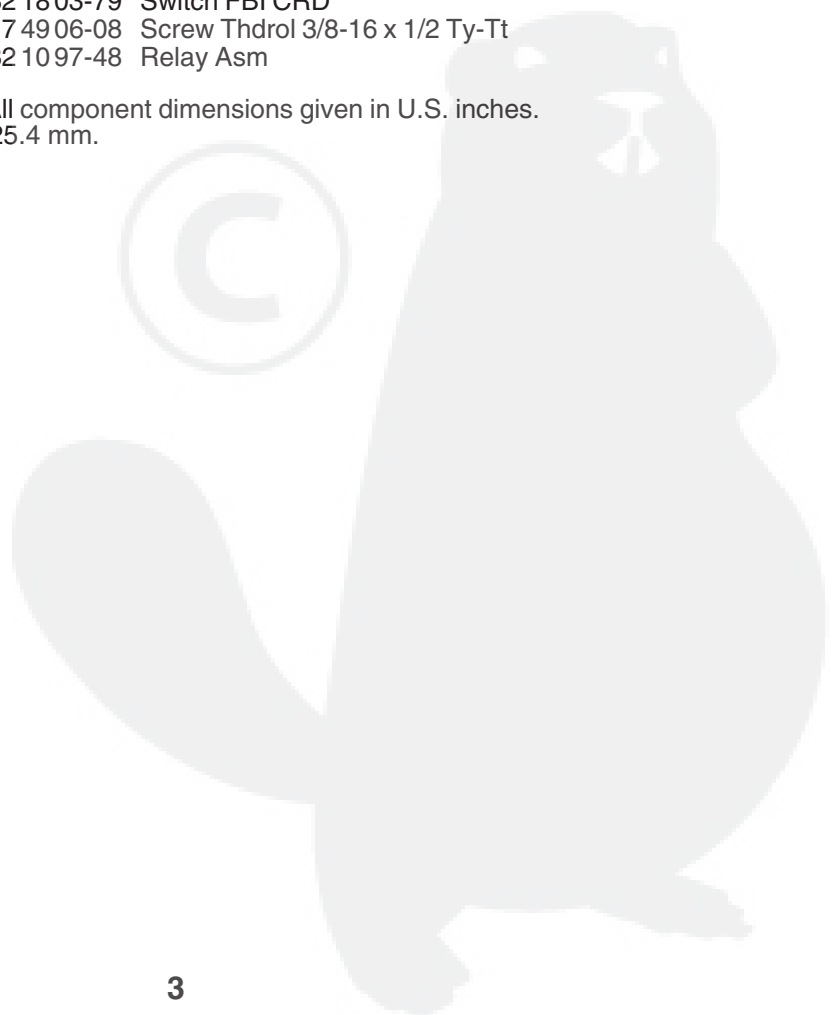
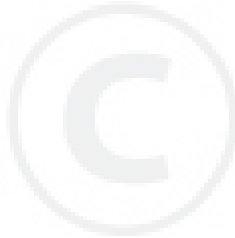


# REPAIR PARTS

TRACTOR- -MODEL NO. P11CRD (P11CRDA) PRODUCT NO. 964 78 02-00  
ELECTRICAL

| KEY NO. | PART NO.     | DESCRIPTION                       |
|---------|--------------|-----------------------------------|
| 1       | 532 16 34-65 | Battery 12 Volt 25 AMP Wet        |
| 2       | 874 76 04-12 | Bolt Hex Hd 1/4-20 Unc X 3/4      |
| 16      | 532 17 61-38 | Switch Interlock Push-In          |
| 21      | 532 17 56-88 | Harness Asm Light W/4152J         |
| 22      | 532 00 41-52 | Bulb Light #1156                  |
| 24      | 532 12 47-80 | Cable Starter 6Ga 11" Red         |
| 25      | 532 16 59-87 | Cable Battery Crd 56" Red         |
| 26      | 532 17 51-58 | Fuse 20 Amp                       |
| 27      | 873 51 04-00 | Nut Keps Hex 1/4-20 Unc           |
| 28      | 532 12 77-25 | Cable Ground 6Ga 18" Black        |
| 29      | 532 16 07-84 | Switch Plunger Normal Op Olive    |
| 30      | 532 17 55-66 | Switch Ignition                   |
| 33      | 532 14 04-01 | Key Ign                           |
| 40      | 532 17 97-28 | Harness Ign                       |
| 41      | 871 11 04-08 | Bolt Flk Fin Hex 1/4-20 Unc X 1/2 |
| 42      | 532 13 15-63 | Cover Terminal Red                |
| 43      | 532 17 88-61 | Solenoid                          |
| 48      | 532 14 08-44 | Adapter Ammeter Rectangular       |
| 52      | 532 14 19-40 | Protection Wire Loop              |
| 58      | 532 16 94-19 | Buzzer Crd                        |
| 59      | 532 18 03-79 | Switch FBI CRD                    |
| 66      | 817 49 06-08 | Screw Thdrol 3/8-16 x 1/2 Ty-Tt   |
| 81      | 532 10 97-48 | Relay Asm                         |

**NOTE:** All component dimensions given in U.S. inches.  
1 inch = 25.4 mm.





# REPAIR PARTS

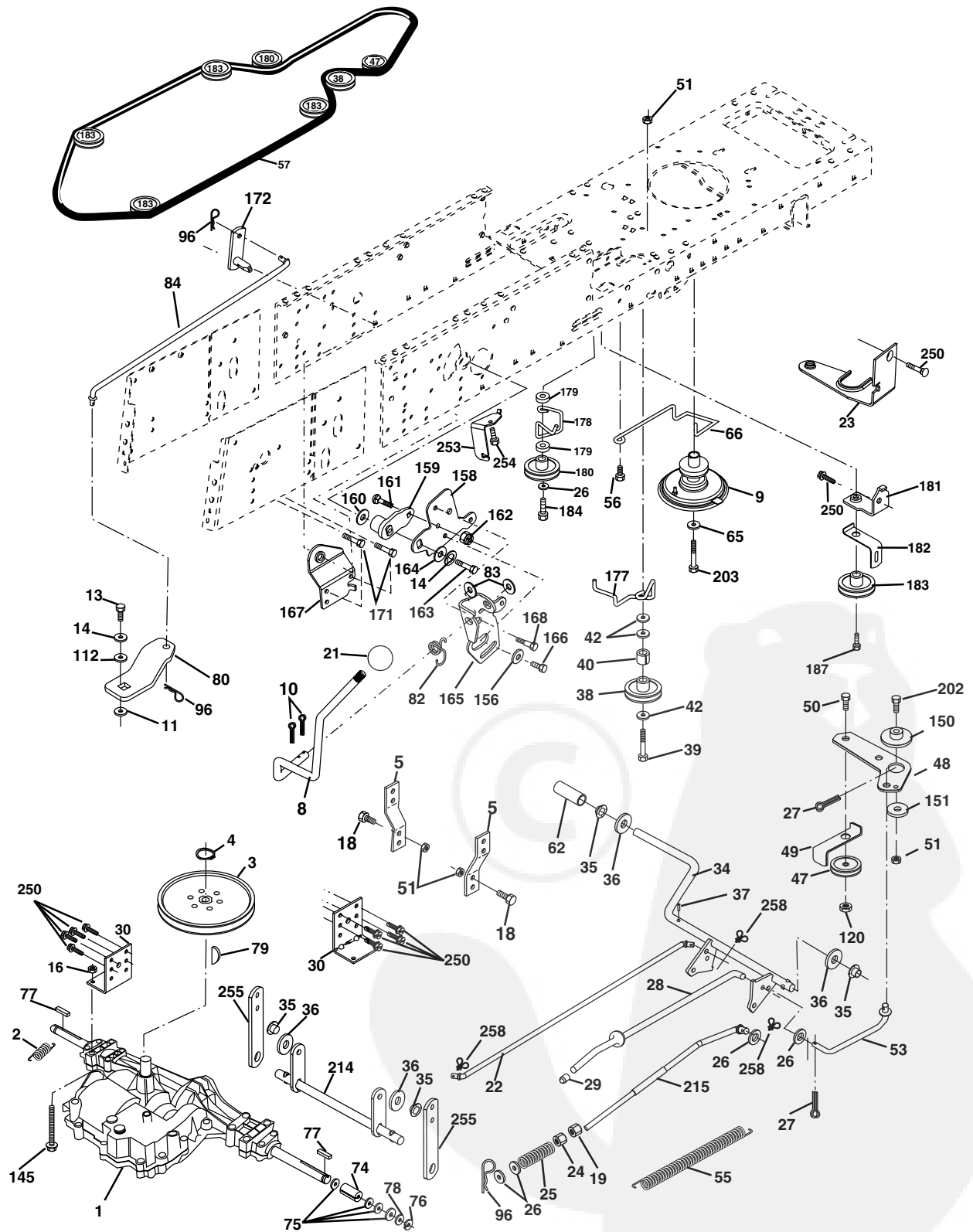
## TRACTOR- -MODEL NO. P11CRD (P11CRDA) PRODUCT NO. 964 78 02-00 CHASSIS

| KEY NO. | PART NO.            | DESCRIPTION                                  | KEY NO. | PART NO.            | DESCRIPTION                         |
|---------|---------------------|--|---------|---------------------|-------------------------------------|
| 1       | 532 17 46-20        | Chassis                                      | 58      | 532 15 01-27        | Duct Air Engine                     |
| 2       | 532 18 03-84        | Drawbar                                      | 69      | 532 14 24-32        | Screw Hex Wsh                       |
| 3       | 817 06 06-12        | Screw 3/8-16 x 3/4                           | 89      | 532 18 13-88        | Console                             |
| 5       | 532 15 52-72        | Bumper Hood/Dash                             | 145     | 532 15 65-24        | Rod Pivot Chassis/Hood              |
| 6       | 532 15 59-23        | Saddle                                       | 162     | 532 18 03-82        | Bracket Exten Chassis Lh CRD        |
| 8       | <b>532 18 13-87</b> | Clip Insulator 13/32 Mtg. Hole               | 163     | 532 18 03-83        | Bracket Exten Chassis Rh CRD        |
| 9       | 532 17 22-43        | Dash   | 164     | 532 16 56-05        | Support Battery CRD                 |
| 10      | 872 14 06-08        | Bolt, Carriage 3/8-16 x 3/4                  | 165     | 532 18 13-56        | Cover Battery                       |
| 11      | 532 15 59-27        | Panel, Dash, L.H.                            | 170     | <b>532 17 88-62</b> | Backplate Asm CRD                   |
| 12      | 532 14 56-60        | Clip Tinnerman                               | 171     | 872 14 06-20        | Bolt Rdhd Sqnk 3/8-16 x 2-1/2 Gr. 5 |
| 13      | 532 17 30-25        | Panel, Asm. Dash R.H.                        | 172     | 819 13 20-16        | Washer 13/32 x 1-1/4 x 16 Ga.       |
| 15      | 874 18 05-12        | Screw, Machine, Truss Head 5/16-18 UNC x 3/4 | 173     | 873 51 06-00        | Nut, Keps Hex 3/8-16 UNC            |
| 16      | 873 51 05-00        | Nut  | 175     | 532 18 03-10        | Guard Trap                          |
| 17      | 532 16 03-82        | Hood   | 179     | 532 18 03-76        | Rod Pivot FBI CRD                   |
| 18      | 532 12 69-38        | Bumper Hood                                  | 184     | 532 17 46-62        | Bracket Actuator Bagger CRD         |
| 20      | 532 18 06-79        | Plate Mtg Battery/Tank Fuel Fr.              | 185     | 532 18 11-01        | Knob Rod Brake Parking              |
| 24      | 874 78 06-16        | Bolt   | 186     | 532 16 07-93        | Latch Asm Mulch/Bagger              |
| 25      | 819 13 13-12        | Washer 13/32 x 13/16 x 12 Gauge              | 187     | 532 12 50-04        | Nut Weld                            |
| 26      | 873 80 06-00        | Nut  | 188     | 819 06 12-16        | Washer #10                          |
| 28      | 532 17 97-78        | Grille /Lens Asm                             | 189     | 810 07 10-00        | Washer Lock #10                     |
| 29      | 532 17 59-02        | Lens, Grille                                 | 190     | 871 08 10-10        | Screw Pan Hd Phillip 10-24 x 5/8    |
| 30      | 532 18 13-86        | Fender                                       | 198     | 532 16 89-37        | Nut, Push                           |
| 31      | 532 16 51-56        | Bracket, Fender Support                      | 205     | 817 49 06-08        | Screw Thdrol 3/8-16 x 1/2           |
| 33      | 532 18 10-57        | Footrest, L.H.                               | 207     | 817 67 05-08        | Screw Thdrol 5/16-18 x 1/2          |
| 34      | 532 18 10-58        | Footrest, R.H.                               | 208     | 817 67 06-08        | Screw Thdrol 3/8-16 x 1/2           |
| 35      | 872 11 06-06        | Bolt   | 209     | 817 00 06-12        | Screw Hex Wsh Thdrol 3/8-16         |
| 37      | 817 49 05-08        | Screw Thdrol 5/16-18 x 1/2 TYT               | 212     | 532 15 64-94        | Insert Lens Reflective              |
| 38      | 532 17 57-10        | Bracket Asm Pivot Mower Rear                 | 214     | 532 12 47-88        | Retainer Spring                     |
| 51      | 873 80 04-00        | Nut Lock 1/4-20unc                           | 215     | 817 06 05-08        | Screw 5/16-18 x 1/2                 |
| 52      | 819 09 14-16        | Washer 9/32 x 7/8 x 16 Ga.                   | 256     | 532 18 13-61        | Cover Fender Rack CRD               |
| 53      | 532 14 46-97        | Bracket Pick Off LH                          | --      | 532 00 54-79        | Plug, Button                        |
| 54      | 532 16 14-64        | Screw Hex 8-18 x 7/8                         |         |                     |                                     |
| 55      | 532 14 46-96        | Bracket Grille RH                            |         |                     |                                     |
| 57      | 874 78 04-12        | Bolt Fin Hex 1/4-20 Unc x .75                |         |                     |                                     |

**NOTE:** All component dimensions given in U.S. inches.  
1 inch = 25.4 mm.

# REPAIR PARTS

TRACTOR- -MODEL NO. P11CRD (P11CRDA) PRODUCT NO. 964 78 02-00  
DRIVE



# REPAIR PARTS

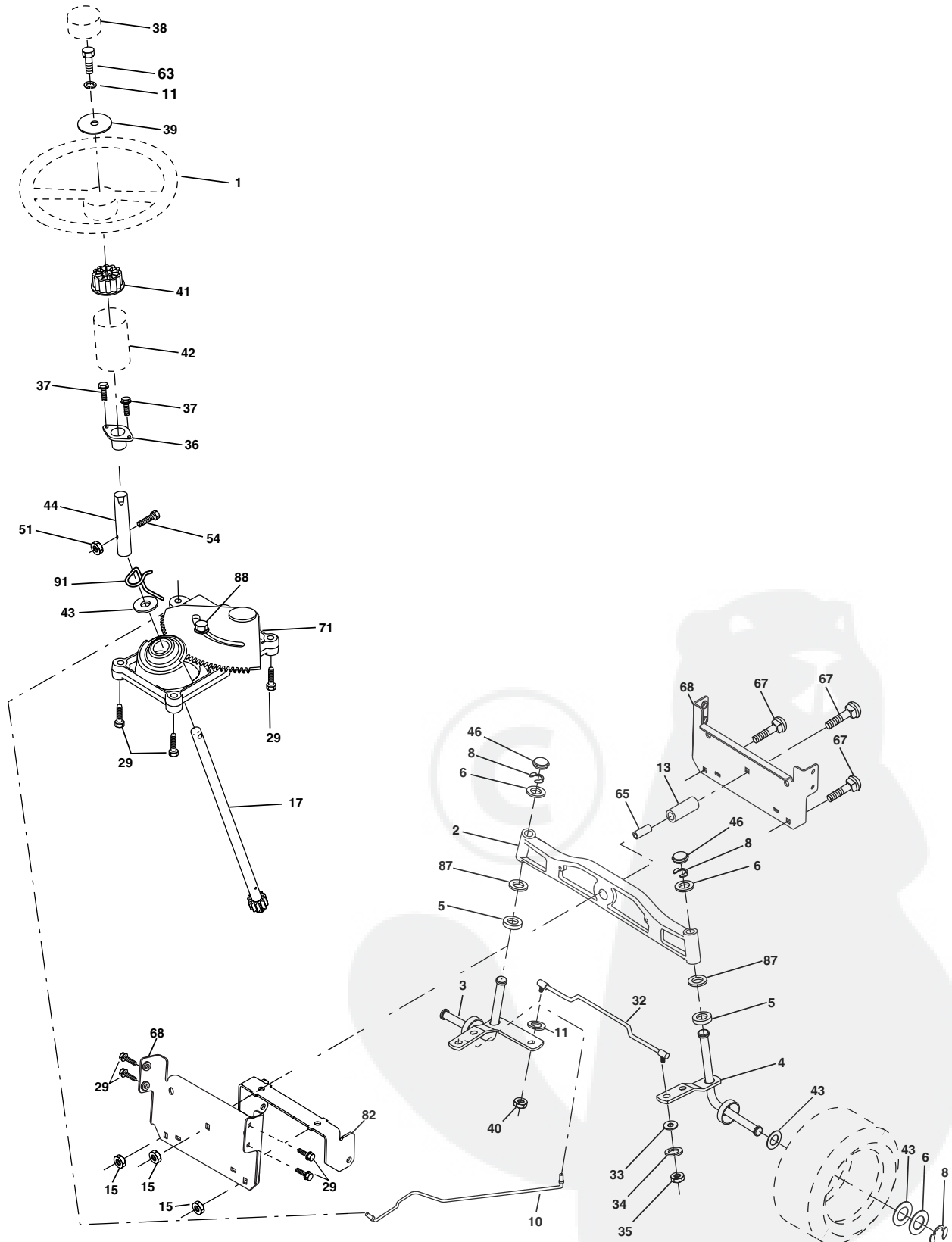
## TRACTOR- -MODEL NO. P11CRD (P11CRDA) PRODUCT NO. 964 78 02-00 DRIVE

| KEY NO. | PART NO.     | DESCRIPTION   | KEY NO. | PART NO.     | DESCRIPTION                        |
|---------|--------------|---|---------|--------------|------------------------------------|
| 1       | -----        | Transaxle Peerless 206-546<br>Order parts from transaxle manufacturer | 76      | 812 00 00-01 | Ring, E                            |
| 2       | 532 14 66-82 | Spring Brake Return   | 77      | 532 12 35-83 | Key, Square                        |
| 3       | 532 16 59-99 | Pulley Transaxle  | 78      | 532 12 17-48 | Washer 25/32 x 1-5/8 x 16 Ga.      |
| 4       | 812 00 00-28 | Ring Retainer #5100-62  | 79      | 532 12 50-96 | Key Woodruff                       |
| 5       | 532 12 15-20 | Strap torque 30 degrees   | 80      | 532 14 50-90 | Arm Shift PMST 20" Tires           |
| 8       | 532 16 56-19 | Rod Shift Fender Adjust Lt  | 82      | 532 16 57-11 | Spring, Torsion                    |
| 9       | 532 17 01-63 | Clutch Asm Noram  | 83      | 819 17 12-16 | Washer 17/32 x 3/4 x 16 Ga.        |
| 10      | 876 02 04-16 | Pin, Cotter 1/8 x 1   | 84      | 532 16 56-21 | Link Shift CRD Pmst 18" Tires      |
| 11      | 532 10 57-01 | Washer Plate Shf .3888 sq hole  | 96      | 532 12 47-88 | Spring, Retainer 1"                |
| 13      | 874 55 04-12 | Bolt 1/4-28 Unf Gr 8 w/patch  | 112     | 819 09 12-10 | Washer 9/32 x 3/4 x 10 Ga.         |
| 14      | 810 04 04-00 | Washer, Lock Hvy Helical  | 120     | 873 90 06-00 | Nut Lock 3/8-16unc                 |
| 16      | 873 80 05-00 | Nut, Lock Hex w/Ins 5/16-18 UNC                                       | 145     | 874 49 05-40 | Bolt Hex FGHD 5/16-18 x Gr 5       |
| 18      | 874 78 06-16 | Bolt Hex 3/8-16 UNC x 1 Gr.5  | 150     | 532 16 58-50 | Bushing, Bellcrank Grnd Dr         |
| 19      | 873 80 06-00 | Nut, Lock Hex w/Wsh 3/8-16 UNC  | 151     | 819 13 32-10 | Washer 13/32 x 2 x 10 Ga.          |
| 21      | 532 10 69-33 | Knob Round 1/2-13 Unc Blk   | 156     | 532 16 60-02 | Washer Srred 5/16 ID x 1.125       |
| 22      | 532 17 56-07 | Rod, Brake CRD 0650   | 158     | 532 16 55-89 | Bracket Shift Mount                |
| 23      | 532 18 03-02 | Bracket Clutch Noram  | 159     | 532 16 54-94 | Hub Tapered Flange Shift Lt        |
| 24      | 873 35 06-00 | Nut   | 160     | 819 29 20-16 | Washer 29/32 x 1-1/4 x 16 Ga       |
| 25      | 532 10 68-88 | Spring, Rod, Brake  | 161     | 872 14 04-06 | Bolt Rdhd Sqnc 1/4-20 x 3/4 Gr 5   |
| 26      | 819 13 13-16 | Washer 13/32 x 13/16 x 16 Ga.   | 162     | 873 68 04-00 | Nut Crownlock 1/4-20 Unc           |
| 27      | 876 02 04-12 | Pin, Cotter 1/8 x 3/4   | 163     | 874 78 04-16 | Bolt Hex Fin 1/4-20 Unc x 1 Gr 5   |
| 28      | 532 17 57-65 | Rod, Parking Brake  | 164     | 819 09 10-10 | Washer 5/8 x .281 x 10 Ga.         |
| 29      | 532 07 16-73 | Cap, Parking Brake  | 165     | 532 16 56-23 | Bracket Pivot Lever                |
| 30      | 532 17 49-73 | Bracket, Mfg. Transaxle   | 166     | 532 16 68-80 | Screw 5/16-18 x 5/8                |
| 34      | 532 17 55-78 | Shaft, Asm Pedal Foot CRD   | 167     | 532 16 55-88 | Bracket Support Shift CRD          |
| 35      | 532 12 01-83 | Bearing, Nylon  | 168     | 532 16 54-92 | Bolt Shoulder 5/16-18 x .561       |
| 36      | 819 21 16-16 | Washer 21/32 x 1 x 16 Ga.   | 171     | 817 49 06-08 | Screw Thdrol 3/8-16 x 1/2 Ty-Tt    |
| 37      | 532 12 49-63 | Pin, Roll 3/16 x 1"   | 172     | 532 16 56-35 | Shaft Asm Shift Front CRD PMST     |
| 38      | 532 16 59-36 | Pulley, Flat  | 177     | 532 16 59-32 | Keeper Flat Idler 3.06" CRD        |
| 39      | 874 76 06-44 | bolt Fin Hex 3/8-16 unc x 2-3/4                                       | 178     | 532 16 59-33 | Keeper Belt Idler 1.88" CRD        |
| 40      | 532 12 49-65 | Spacer, Split 395 x 59 Bzp  | 179     | 532 12 09-58 | Washer Sintered                    |
| 42      | 819 13 13-12 | Washer 13/32 x 13/16 x 12 Ga.   | 180     | 532 16 56-30 | Pulley Flat Composite 3.06"        |
| 47      | 532 12 77-83 | Pulley, Idler, V Groove Plasitc                                       | 181     | 532 18 02-11 | Bracket Idler Ground Drive CRD     |
| 48      | 532 15 44-07 | Bellcrank Clutch Grnd Drv   | 182     | 532 16 56-34 | Keeper Belt 2.5" Od V-Idler CRD    |
| 49      | 532 12 32-05 | Retainer, Belt Style Spring   | 183     | 532 17 90-50 | Pulley V-Idler 2.50" Od CRD        |
| 50      | 874 76 06-24 | Bolt Hex Hd 3/8-16 UNC x 1-1/2  | 184     | 817 49 06-44 | Screw Hexwsh Thdrol 3/8-16 x 2-3/4 |
| 51      | 873 68 06-00 | Nut, Crownlock 3/8-16 UNC   | 187     | 817 58 05-20 | Screw Thdrol 3/8-16 x 1-1/4        |
| 53      | 532 10 57-10 | Link, Clutch 7.66   | 202     | 872 11 06-12 | Bolt Carr Sh 3/8-16 x 1-1/2 Gr. 5  |
| 55      | 532 10 57-09 | Spring, Return, Clutch  | 203     | 871 17 07-80 | Bolt Hex 7/16-20 x 5               |
| 56      | 817 06 06-20 | Screw 3/8-16 x 1-1/4  | 250     | 817 06 06-12 | Screw, 3/8-16 x 3/4                |
| 57      | 532 16 56-31 | V-Belt Kev PMST CRD   | 215     | 532 17 56-51 | Rod Brake                          |
| 62      | 532 12 48-72 | Cover, Pedal  | 253     | 532 17 50-28 | Bracket Cable Chassis              |
| 65      | 810 04 07-00 | Washer  | 254     | 817 06 06-16 | Screw 3/8-16 x 1                   |
| 66      | 532 15 47-78 | Keeper, Belt Engine F-Proof   | 255     | 532 17 56-08 | Brace shaft Brake Mtg.             |
| 74      | 532 13 70-57 | Spacer Axle   | 258     | 532 17 80-62 | Clip Retainer                      |
| 75      | 532 12 17-49 | Washer 25/32 x 1-1/4 x 16 Ga.   |         |              |                                    |

**NOTE:** All component dimensions given in U.S. inches  
1 inch = 25.4 mm

# REPAIR PARTS

TRACTOR- -MODEL NO. P11CRD (P11CRDA) PRODUCT NO. 964 78 02-00  
STEERING ASSEMBLY





# REPAIR PARTS

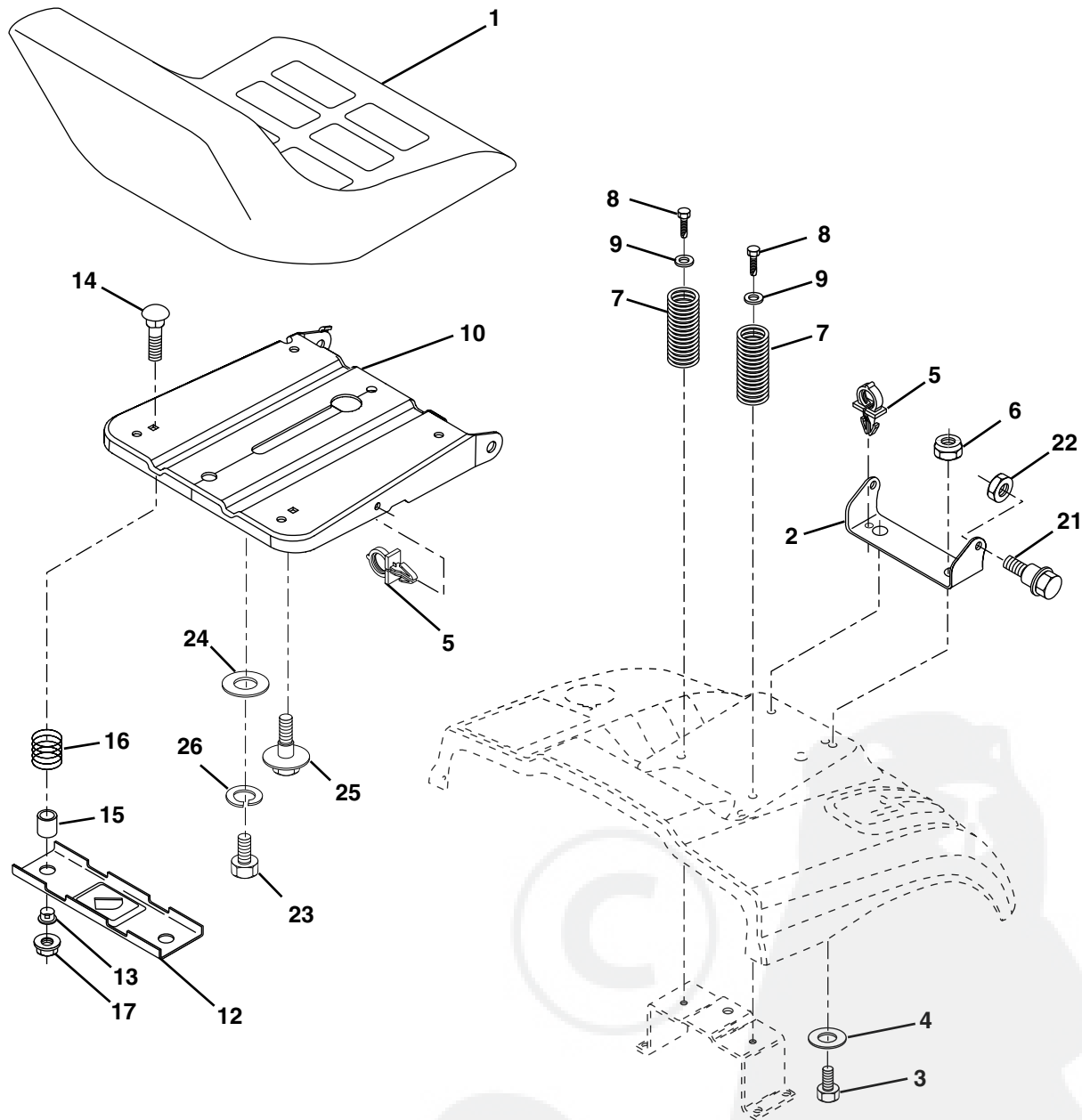
## TRACTOR- -MODEL NO. P11CRD (P11CRDA) PRODUCT NO. 964 78 02-00 STEERING ASSEMBLY

| KEY NO. | PART NO.    | DESCRIPTION                        |
|---------|-------------|------------------------------------|
| 1       | 532 1397-68 | Steering Wheel                     |
| 2       | 532 1723-93 | Front Axle Assembly                |
| 3       | 532 1698-40 | Spindle Assembly, L.H.             |
| 4       | 532 1698-39 | Spindle Assembly, R.H.             |
| 5       | 532 1249-31 | Bearing, Race, Thrust, Hardened    |
| 6       | 532 1217-48 | Washer 25/32 x 1-5/8 x 16 Gauge    |
| 8       | 8120000-29  | Ring, Klip                         |
| 10      | 532 1751-21 | Link, Drag                         |
| 11      | 8100406-00  | Washer, Lock                       |
| 13      | 532 1365-18 | Spacer Axle                        |
| 15      | 532 1452-12 | Nut Hex Flange Lock                |
| 17      | 532 1778-76 | Shaft Assembly, Steering           |
| 29      | 8170606-12  | Screw 3/8-16 x 3/4                 |
| 32      | 532 1701-62 | Rod, Tie                           |
| 33      | 8191112-16  | Washer 11/32 x 3/4 x 16 Ga.        |
| 34      | 8100405-00  | Washer Lock Hvy Hlcl Spr 5/16      |
| 35      | 8735405-00  | Crownlock Nut 5/16-24 Unf          |
| 36      | 532 1550-99 | Bushing, Steering                  |
| 37      | 532 1529-27 | Screw TT #10-32 x 5 x 3/8 Flange   |
| 38      | 532 1401-75 | Cap Wheel Steer                    |
| 39      | 8191338-12  | Washer 13/32 x 2-3/8 x 12 Gauge    |
| 40      | 532 1247-01 | Nut Lock Center 3/8-24 Unf         |
| 41      | 532 1007-11 | Adaptor, Steering Wheel            |
| 42      | 532 1696-34 | Boot, Steering Dash P/L Mtl        |
| 43      | 532 1217-49 | Washer 25/32 x 1-1/4 x 16 Gauge    |
| 44      | 532 1537-20 | Extension Steering                 |
| 46      | 532 1212-32 | Cap, Spindle                       |
| 51      | 8738005-00  | Nut Lock Hx W/Ins 5/16-18 UNC      |
| 54      | 8747805-20  | Bolt Fin Hex 5/16-18 UNC x 1-1/4   |
| 63      | 8747806-16  | Bolt Fin Hex 3/8-16 unc. x 1 Gr. 5 |
| 65      | 532 1603-67 | Spacer Axle                        |
| 67      | 8721406-18  | Bolt Rdhd Sq 3/8-16 x 2-1/4        |
| 68      | 532 1698-27 | Brace Axle                         |
| 71      | 532 1751-46 | Steering Asm.                      |
| 82      | 532 1698-35 | Bracket Susp. Chassis Front        |
| 87      | 532 1739-66 | Washer Flat .781 x 1-1/2 x .14     |
| 88      | 532 1751-18 | Bolt Shoulder 7/16-20 Unc          |
| 91      | 532 1755-53 | Clip Steering                      |

**NOTE:** All component dimensions given in U.S. inches.  
1 inch = 25.4 mm.

# REPAIR PARTS

## TRACTOR- -MODEL NO. P11CRD (P11CRDA) PRODUCT NO. 964 78 02-00 SEAT ASSEMBLY



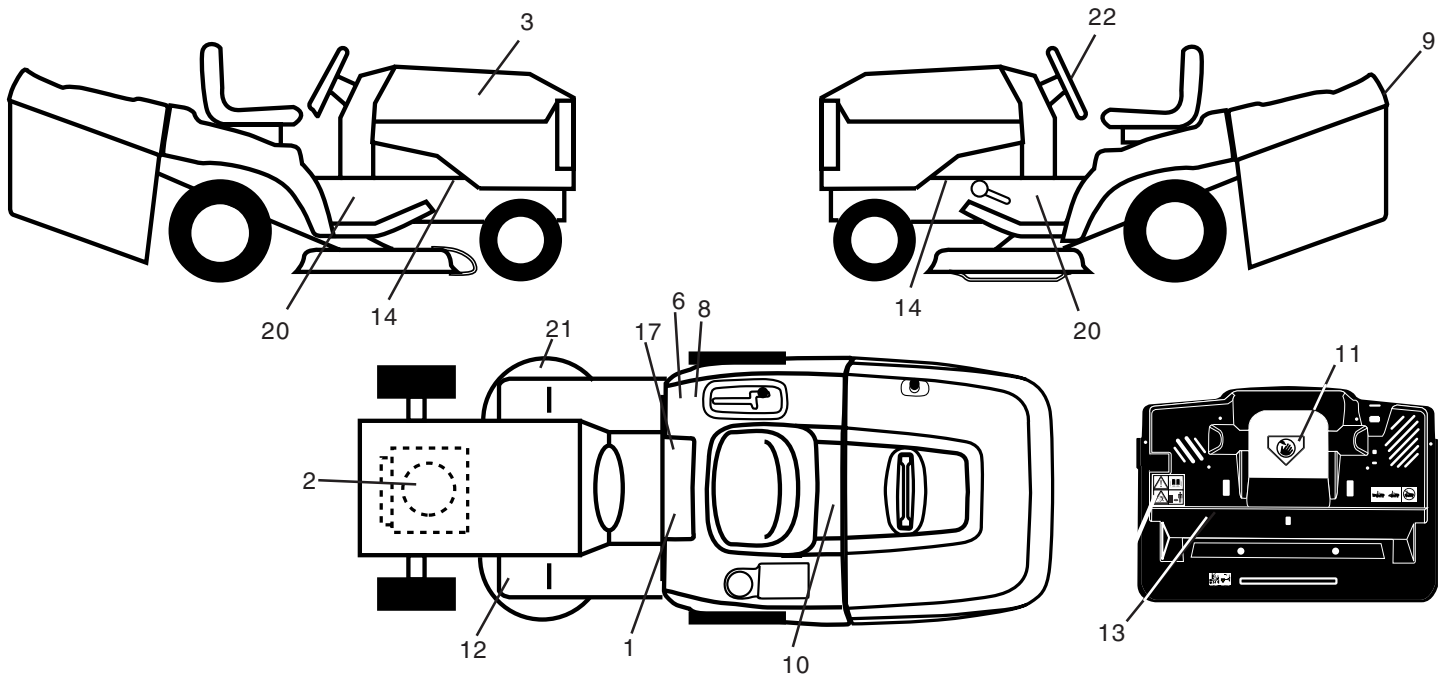
| KEY NO. | PART NO.     | DESCRIPTION                    |
|---------|--------------|--------------------------------|
| 1       | 532 17 53-89 | Seat                           |
| 2       | 532 14 05-51 | Bracket Pnt Pivot Seat (blk )  |
| 3       | 871 11 06-16 | bolt Hex 3/8-16unc x 1         |
| 4       | 819 13 16-10 | Washer 13/32 x 1 x 10          |
| 5       | 532 14 50-06 | Clip Push In Hinged            |
| 6       | 873 80 06-00 | Nut Lock 3/8-16                |
| 7       | 532 12 41-81 | Spring Seat Cprsn 2 250 Blk Zi |
| 8       | 817 00 06-16 | Screw 3/8-16 X 1-1/2           |
| 9       | 819 13 16-14 | Washer 13/32 X 1 X 14 Ga.      |
| 10      | 532 17 48-94 | Par Assembly Seat Tool-Free    |
| 12      | 532 12 12-46 | Bracket Pnt Mounting Switch    |
| 13      | 532 12 12-48 | Bushing Snap Blk Nyl 50 Id     |

| KEY NO. | PART NO.     | DESCRIPTION                    |
|---------|--------------|--------------------------------|
| 14      | 872 05 04-12 | Bolt Rdhd Sht Nk 1/4-20x1-1/2  |
| 15      | 532 13 43-00 | Spacer Split                   |
| 16      | 532 12 12-50 | Spring Cprsn Plate SW 1.310 Ga |
| 17      | 532 12 39-76 | Nut Lock 1/4 Lge Flg Gr 5 Zinc |
| 21      | 532 17 18-52 | Bolt Shoulder 5/16-18 Unc-2A   |
| 22      | 873 80 05-00 | Nut Hex Lock w/Ins 5/16-18     |
| 23      | 871 11 08-14 | Bolt Hex Black                 |
| 24      | 819 17 19-12 | Washer 17/32 X 1-3/16 X 12 Ga. |
| 25      | 532 12 70-18 | Bolt Shoulder 5/16-18 X 62     |
| 26      | 810 04 08-00 | Washer Lock Hvy Hlcl Spr 1/2   |

**NOTE:** All component dimensions given in U.S. inches.  
1 inch = 25.4 mm

# REPAIR PARTS

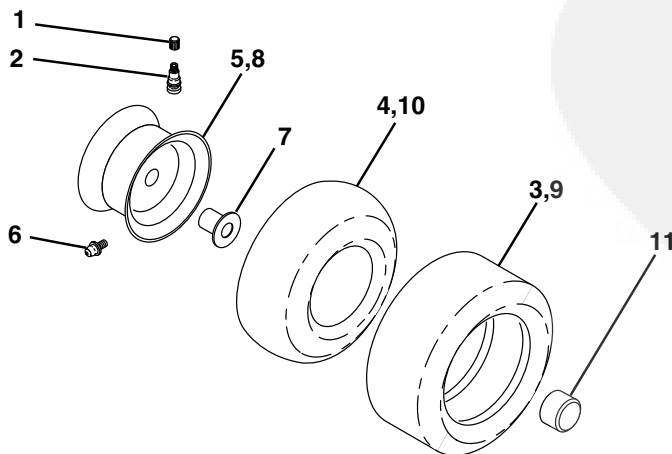
TRACTOR- -MODEL NO. P11CRD (P11CRDA) PRODUCT NO. 964 78 02-00  
DECALS



| KEY NO. | PART NO.     | DESCRIPTION                   |
|---------|--------------|-------------------------------|
| 1       | 532 14 54-98 | Decal Read Owner's Manual Sym |
| 2       | 532 17 08-43 | Decal Hp Engine               |
| 3       | 532 14 09-87 | Decal Hood Rh                 |
| 6       | 532 12 61-87 | Decal 100 DBA                 |
| 8       | 532 14 54-37 | Decal Europe Stand Ce         |
| 9       | 532 14 09-87 | Decal Fender Logo             |
| 10      | 532 14 50-05 | Decal Bat Dan/Poi P/L Sym Wpn |
| 11      | 532 14 54-94 | Decal Mower Cut Finger Symbol |
| 12      | 532 15 97-37 | Decal Brake/Clutch Symbol Lt  |
| 13      | 532 18 04-35 | Decal Warn Back Plate CRD     |

| KEY NO. | PART NO.     | DESCRIPTION                 |
|---------|--------------|-----------------------------|
| 14      | 532 15 97-36 | Decal Chassis Hot Muffler   |
| 17      | 532 14 08-37 | Decal Saddle Brake Parking  |
| 20      | 532 13 75-88 | Decal Chassis Turbo         |
| 21      | 532 16 62-86 | Decal Deck Sch 92 CRD       |
| 22      | 532 14 69-98 | Decal Insert Steering Wheel |
| —       | 532 13 83-11 | Decal Lift Handle           |
| —       | 532 18 10-90 | Pad Footrest RH             |
| —       | 532 18 10-91 | Pad Footrest LH             |
| —       | 532 18 12-98 | Manual Operator's (Euro)    |
| —       | 532 18 12-99 | Manual Operator's (Scand)   |

## WHEELS & TIRES

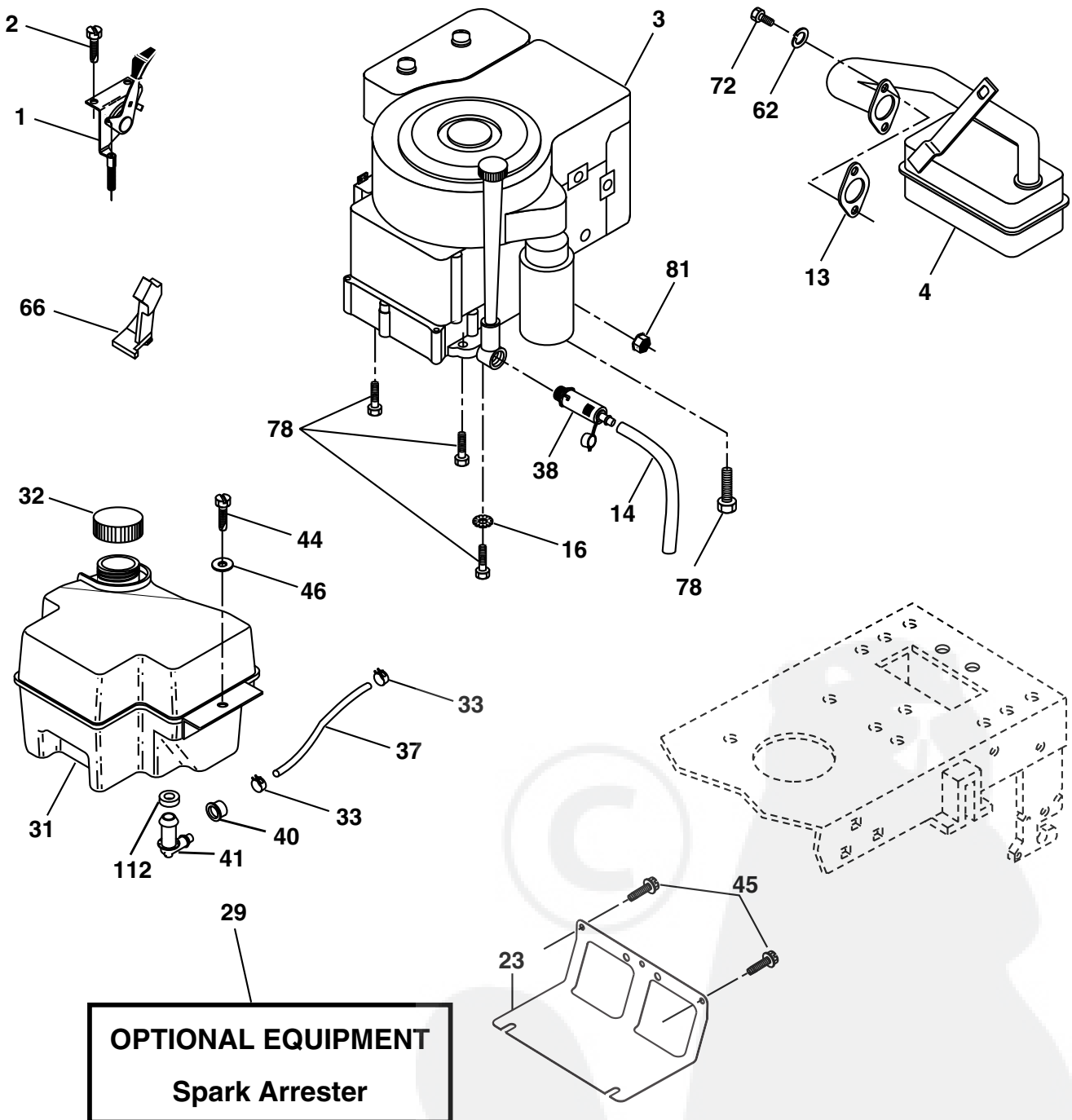


| KEY NO. | PART NO.     | DESCRIPTION                    |
|---------|--------------|--------------------------------|
| 1       | 532 05 91-92 | Cap Value Tire                 |
| 2       | 532 06 51-39 | Stem Value                     |
| 3       | 532 10 62-22 | Tire F Ts 15 X 6 0 - 6 Service |
| 4       | 532 05 99-04 | Tube Inner Front #35060        |
| 5       | 532 12 51-21 | Rim Asm 6" front Service       |
| 6       | 532 12 49-57 | Fitting Grease                 |
| 7       | 532 12 49-59 | Bearing Flange                 |
| 8       | 532 12 51-22 | Rim Asm 8" rear Service        |
| 9       | 532 12 46-35 | Tire R Ts 18 x 8.5-8 Service   |
| 10      | 532 12 49-26 | Tube Rear 9 5 X 8 Service      |
| 11      | 532 17 50-39 | Cap Axle Blk 1 50 X 1 00       |
| --      | 532 14 43-34 | Sealant, Tire (10 oz. tube)    |

**NOTE:** All component dimensions given in U.S. inches  
1 inch = 25.4 mm

# REPAIR PARTS

TRACTOR- -MODEL NO. P11CRD (P11CRDA) PRODUCT NO. 964 78 02-00  
ENIGNE



# REPAIR PARTS

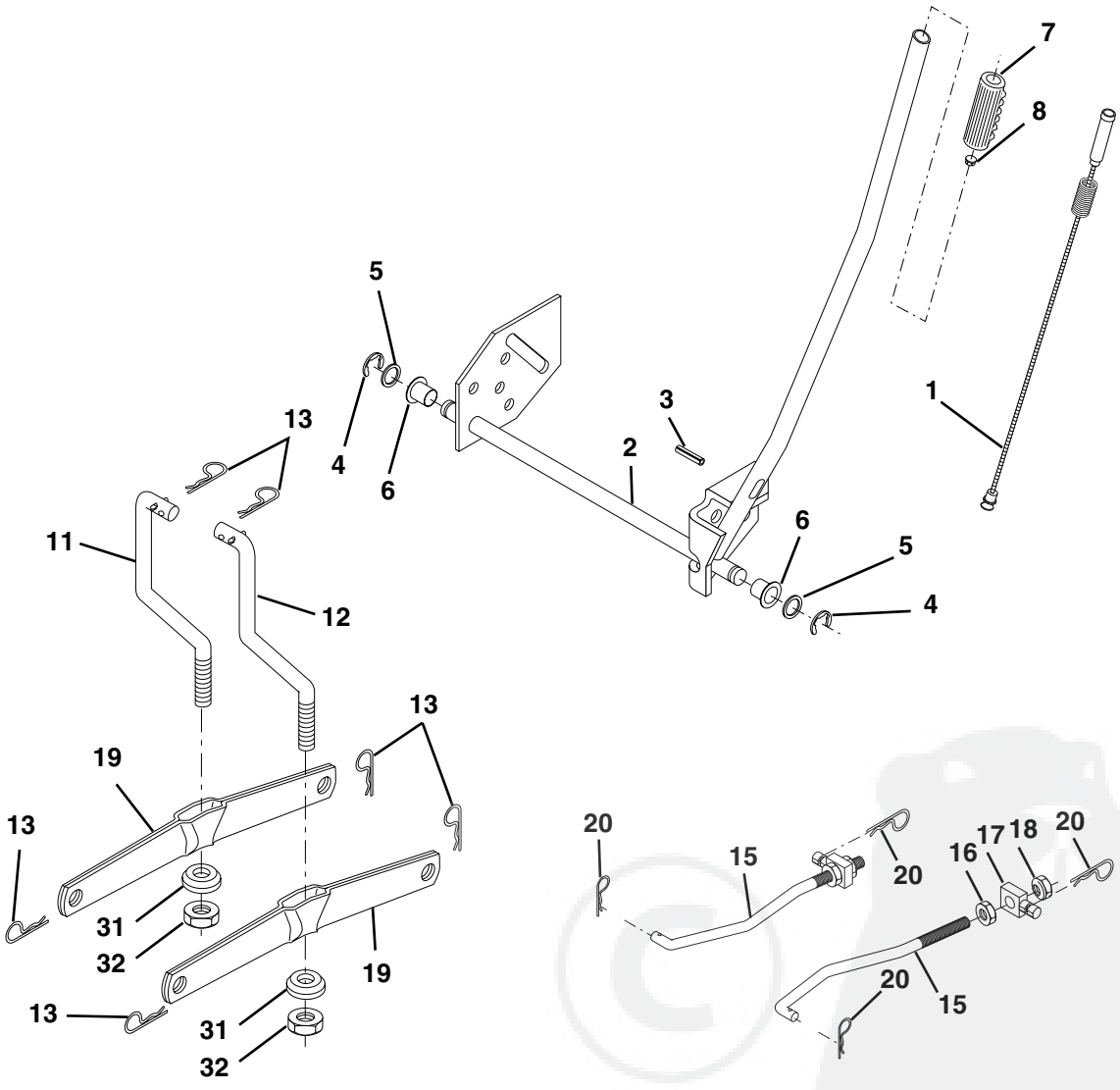
TRACTOR- -MODEL NO. P11CRD (P11CRDA) PRODUCT NO. 964 78 02-00  
ENIGNE

| KEY NO. | PART NO.     | DESCRIPTION  |
|---------|--------------|--|
| 1       | 532 17 08-65 | Control Throt/Ch   |
| 2       | 817 72 04-08 | Screw Hex Thd Cut 1/4-20 x 5/8 T                                 |
| 3       | -----        | Engine Briggs & Stratton<br>Order Parts from Engine Manufacturer |
| 4       | 532 13 73-48 | Muffler Exhaust  |
| 13      | 532 16 52-91 | Gasket 1 313 Id Tin Plated                                       |
| 14      | 532 14 84-56 | Tube Drain Oil Easy  |
| 16      | 811 05 06-00 | Washer Lock Ext Tooth 3/8  |
| 23      | 532 16 98-37 | Shield Browning/Debris Guard                                     |
| 29      | 532 13 71-80 | Arrestor Spark   |
| 31      | 532 18 06-45 | Tank Fuel 2.00 Fr  |
| 32      | 532 14 05-27 | Cap Asm Fule Top Vent N/Lany                                     |
| 33      | 532 12 34-87 | Clamp Hose Blk   |
| 37      | 532 13 70-40 | Line Fuel 20"  |
| 38      | 532 14 83-15 | Plug Drain Oil Easy  |
| 40      | 532 12 40-28 | Bushing Snap   |
| 41      | 532 13 92-77 | Stem Tank Fuel   |
| 44      | 817 67 04-12 | Screw Hexwsh Thdrol 1/4-20 x 3/4                                 |
| 45      | 817 00 06-12 | Screw Hexwsh Thdr 3/8-16 x 3/4                                   |
| 46      | 819 09 14-16 | Washer 9/32 x 7/8 x 16ga   |
| 62      | 810 04 05-00 | Washer Lock Hvy Hlcl Spr 5/16                                    |
| 66      | 532 12 79-51 | Stop Throttle 3000 Rpm   |
| 72      | 871 07 05-12 | Screw Hexhd Cap 5/16-18 x 3/4                                    |
| 78      | 817 06 06-20 | Screw 3/8-16 x 1-1/4   |
| 81      | 873 51 04-00 | Nut Keps 1/4-20 UNC  |
| 112     | 532 12 49-52 | Bushing  |

**NOTE:** All component dimensions given in U.S. inches  
1 inch = 25.4 mm

# REPAIR PARTS

TRACTOR- -MODEL NO. P11CRD (P11CRDA) PRODUCT NO. 964 78 02-00  
MOWER LIFT

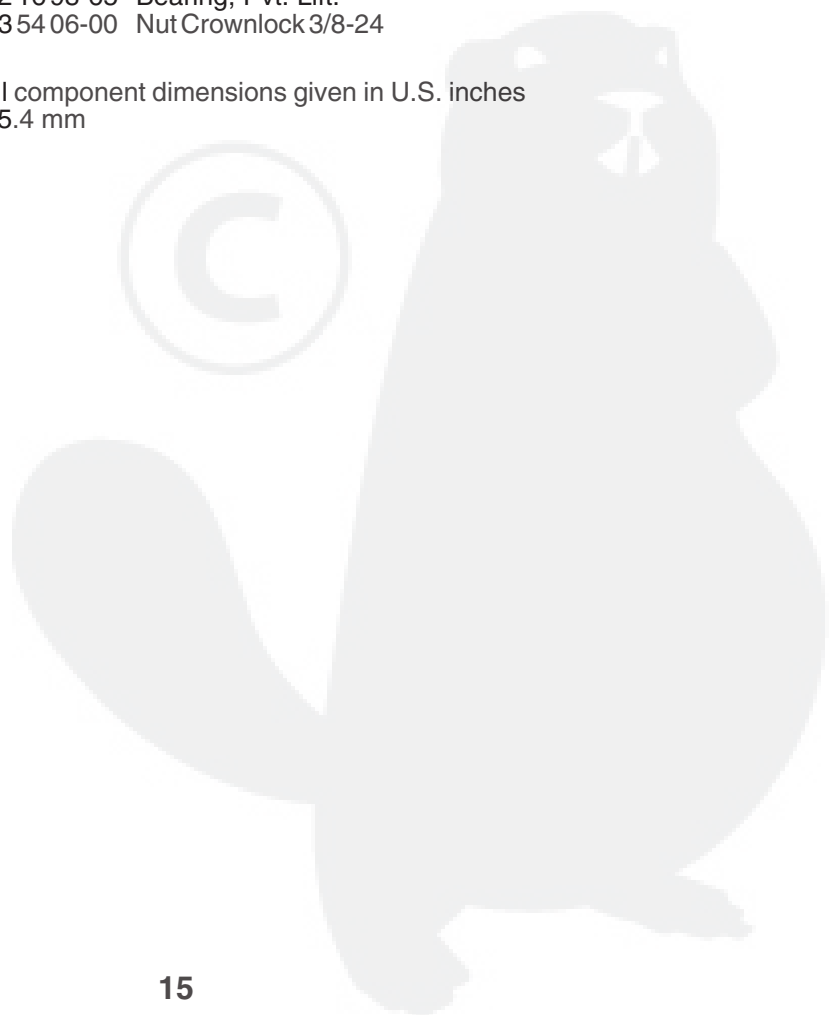


# REPAIR PARTS

TRACTOR- -MODEL NO. P11CRD (P11CRDA) PRODUCT NO. 964 78 02-00  
MOWER LIFT

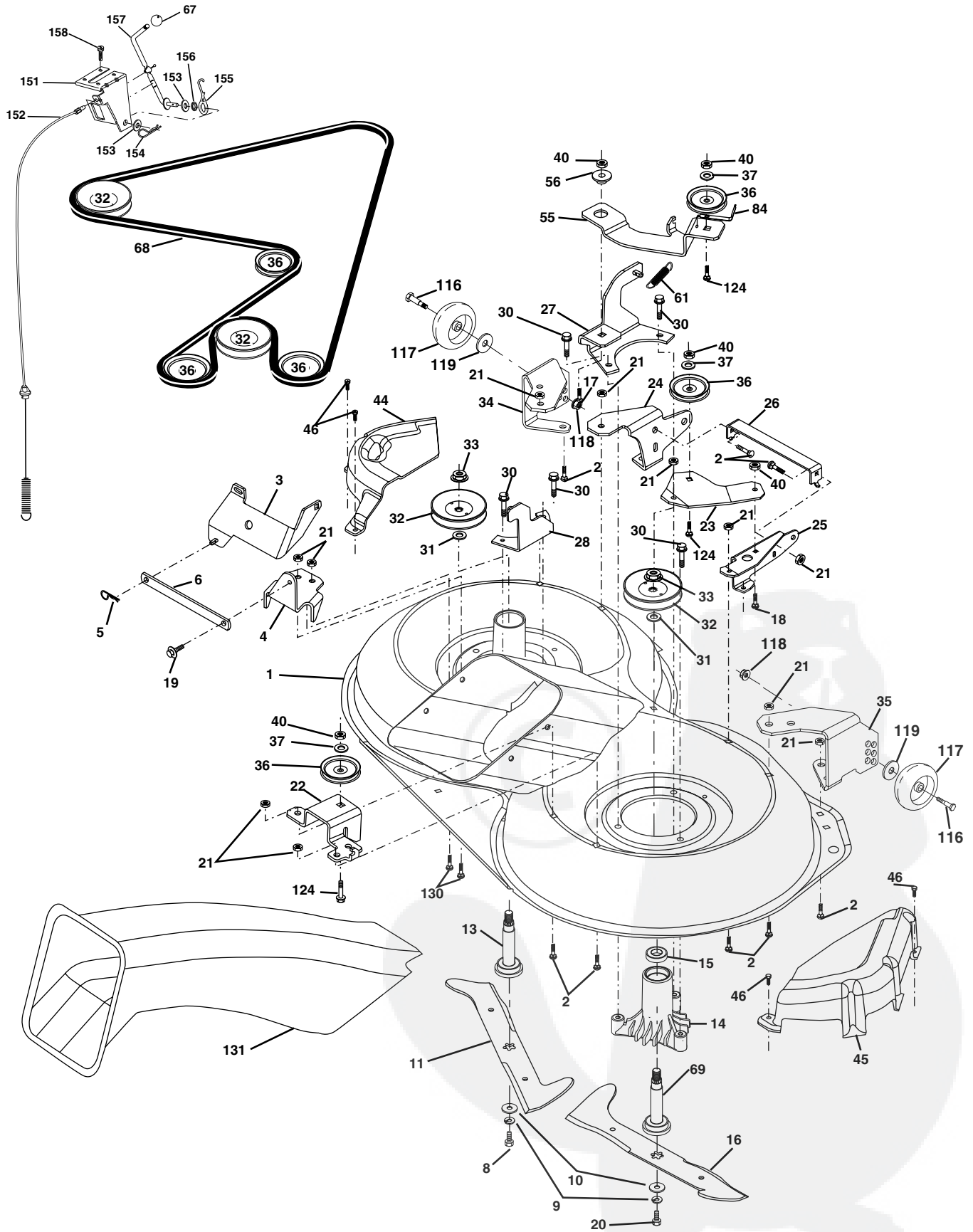
| KEY NO. | PART NO.    | DESCRIPTION                       |
|---------|-------------|-----------------------------------|
| 1       | 532 1594-60 | Washer Asm Inner Spring W/Plunger |
| 2       | 532 1594-71 | Shaft Asm. Lift                   |
| 3       | 532 1057-67 | Pin Groove                        |
| 4       | 812 0000-02 | E Ring #5133-62                   |
| 5       | 819 2116-21 | Washer 21/32 x 1 x 21 Ga.         |
| 6       | 532 1201-83 | Bearing Nylon                     |
| 7       | 532 1094-13 | Grip Handle                       |
| 8       | 532 1245-26 | Button Plunger Black              |
| 11      | 532 1658-29 | Link Asm Lift L.H.                |
| 12      | 532 1658-31 | Link Asm Lift R.H.                |
| 13      | 532 1246-70 | Retainer Spring                   |
| 15      | 532 1732-88 | Link Front                        |
| 16      | 873 3508-00 | Nut Jam Hex 1/2-13 Unc            |
| 17      | 532 1756-89 | Trunnion Blk Zinc                 |
| 18      | 873 8008-00 | Nut Lock w/Wsh 1/2-13 Unc         |
| 19      | 532 1398-68 | Arm Suspension Mower              |
| 20      | 532 1635-52 | Retainer Spring                   |
| 31      | 532 1698-65 | Bearing, Pvt. Lift.               |
| 32      | 873 5406-00 | Nut Crownlock 3/8-24              |

**NOTE:** All component dimensions given in U.S. inches  
1 inch = 25.4 mm



# REPAIR PARTS

TRACTOR- -MODEL NO. P11CRD (P11CRDA) PRODUCT NO. 964 78 02-00  
MOWER





# REPAIR PARTS

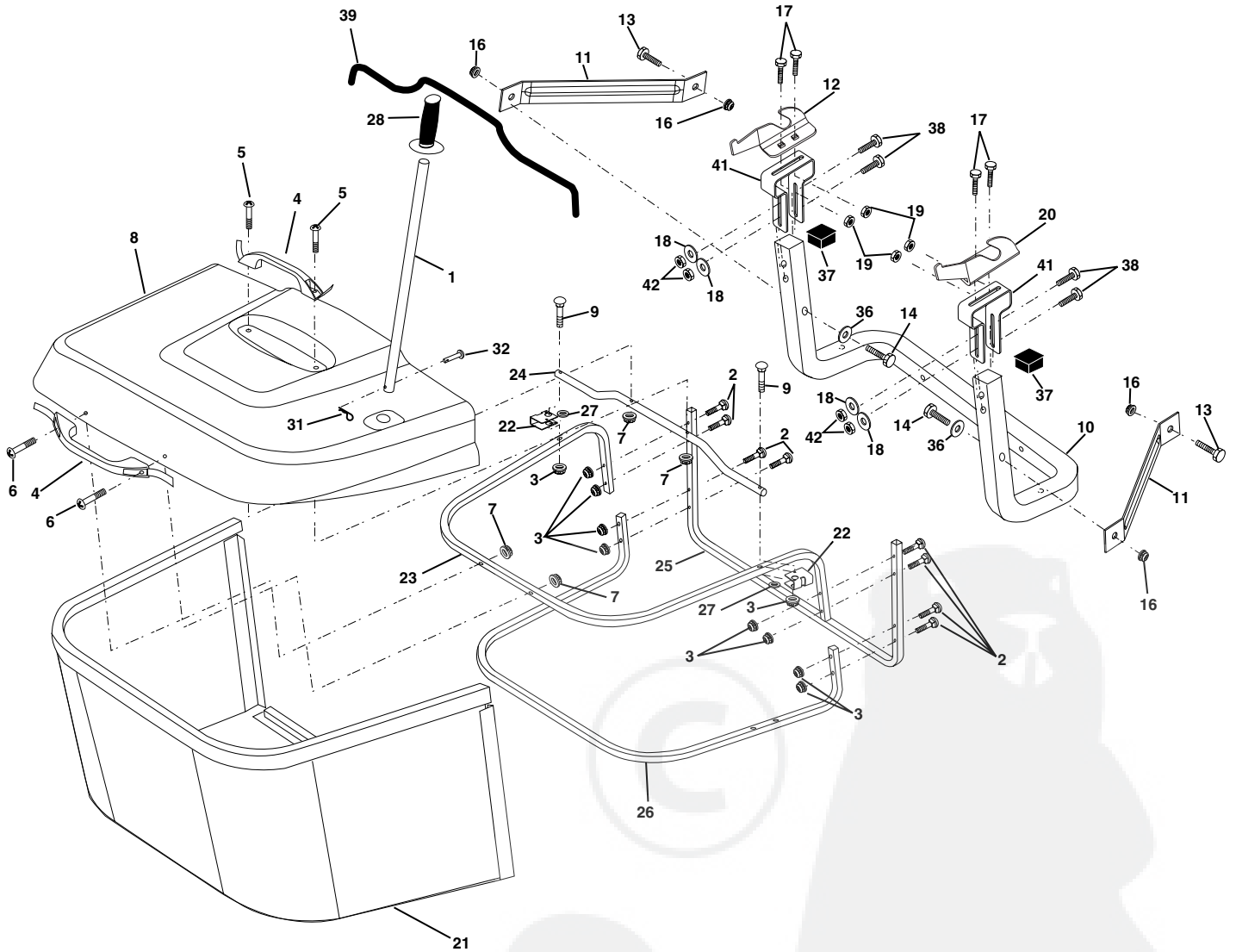
TRACTOR- -MODEL NO. P11CRD (P11CRDA) PRODUCT NO. 964 78 02-00  
MOWER

| KEY NO. | PART NO.     | DESCRIPTION                       | KEY NO. | PART NO.     | DESCRIPTION                     |
|---------|--------------|-----------------------------------|---------|--------------|---------------------------------|
| 1       | 532 1655-52  | Housing Asm. Mower 92 CRD         | 37      | 819 13 13-16 | Washer 11/32 x 13/16 x 16 Ga    |
| 2       | 872 14 05-06 | Bolt Rdhd Sqnk 5/16-18 Unc x 3/4  | 40      | 873 68 06-00 | Nut Crownlock 3/8-16 Unc        |
| 3       | 532 1655-69  | Bracket Asm. S-Bar Chass 92 CRD   | 44      | 532 17 55-38 | Cover Mandrel Lh 92 CRD         |
| 4       | 532 1655-58  | Bracket Bar Sway Deck 92 CRD      | 45      | 532 17 55-39 | Cover Mandrel Rh 92 CRD         |
| 5       | 532 1246-70  | Retainer Spring                   | 46      | 532 13 77-29 | Screw Thd Roll 1/4-20 x 5/8     |
| 6       | 532 1655-57  | Bar Sway 92 CRD                   | 55      | 532 1654-45  | Arm Idler 92 CRD                |
| 8       | 532 85 08-57 | Bolt 3/8-24 x 1.25 Gr8 Patched    | 56      | 532 1657-23  | Spacer Retainer Mower           |
| 9       | 810 03 06-00 | Washer Lock Hvy 3/8 Unplated      | 61      | 532 1659-45  | Spring Tension Belt             |
| 10      | 532 14 02-96 | Washer Hard Blade Mower vented    | 67      | 532 10 69-32 | Knob Rd 3/8-16 Plstc Thds Blk   |
| 11      | 532 17 00-37 | Blade 3-1 Lh 92 CRD               | 68      | 532 1655-55  | Hex-Belt 92 Mower 105AA         |
| 13      | 532 13 76-45 | Shaft Asm. W/Lower Bearing        | 69      | 532 1654-82  | Shaft Asm W/Lwr Brg Rh Thd CRD  |
| 14      | 532 12 87-74 | Housing Mandrel Vented (Machd)    | 84      | 532 15 60-85 | Keeper Belt Idler               |
| 15      | 532 11 04-85 | Bearing Ball Mandrel              | 116     | 532 13 76-44 | Bolt Shoulder                   |
| 16      | 532 17 00-38 | Blade 3-1 Rh 92 CRD               | 117     | 532 13 39-57 | Wheel Gage Donut Wide           |
| 17      | 872 14 06-10 | Bolt Carriage 3/8-16 x 1-1/4      | 118     | 873 93 06-00 | Nut Centerlock 3/8-16 Unc       |
| 18      | 872 11 06-08 | Bolt Rdhd Sqnk 3/8-16 x 1 Gr5     | 119     | 819 12 14-14 | Washer 3/8 x 7/8 x 14 Ga.       |
| 19      | 532 13 28-27 | Bolt Shoulder 5/16-18 Thd Form    | 124     | 872 11 06-12 | Bolt Carr Sh 3/8-16 x 1-1/2 Gr5 |
| 20      | 532 1654-84  | Bolt 3/8-24 x 1.25 Gr8 Ptch Lhthd | 130     | 872 11 05-06 | Bolt Rdhdsqnk 5/16-18 Unc x 3/4 |
| 21      | 873 68 05-00 | Nut Crown Lock 5/16-18            | 131     | 532 1656-61  | Chute Bagger CRD 92cm           |
| 22      | 532 1652-43  | Bracket Idler Sprt RR 92 CRD      | 151     | 532 1696-70  | Bracket Clutch Cable            |
| 23      | 532 1654-46  | Bracket Idler Sprt RF 92 CRD      | 152     | 532 17 03-00 | Cable Clutch CRD Service        |
| 24      | 532 1652-42  | Bracket Suspension LF 92 CRD      | 153     | 532 1696-74  | Washer Flat 3/8" Type B         |
| 25      | 532 1652-44  | Bracket Suspension RF 92 CRD      | 154     | 532 1696-75  | Spring Retainer                 |
| 26      | 532 1652-37  | Brace Support Susp Frt CRD        | 155     | 532 1696-71  | Spring Retainer Lvr Cltch Cab   |
| 27      | 532 1655-68  | Bracket Asm. Susp RR 92 CRD       | 156     | 532 1696-72  | Spacer Clutch Cable             |
| 28      | 532 1655-67  | Bracket Asm. Susp LR 92 CRD       | 157     | 532 1696-69  | Rod Clutch Cable 3/8"           |
| 30      | 532 17 39-84 | Screw Thd Rolling Washer Head     | 158     | 817 72 04-08 | Screw Hex Thdcut 1/4-20 x 5/8   |
| 31      | 532 12 99-63 | Washer Spacer Mower Vented        | -       | 532 13 07-94 | Mandrel Asm Service             |
| 32      | 532 15 35-31 | Mandrel Pulleys 36 & 46           | -       | 532 16 55-79 | Mandrel Asm CRD Lh Threads SVC  |
| 33      | 532 17 83-42 | Nut Flg Top Lock                  | -       | 532 18 06-44 | Replacement Mower, Complete     |
| 34      | 532 1652-39  | Bracket Gauge Wheel Lf 92 CRD     |         |              |                                 |
| 35      | 532 1652-38  | Bracket Gauge Wheel Rf 92 CRD     |         |              |                                 |
| 36      | 532 14 67-63 | Pulley Idler V-Groove Dim 4.25    |         |              |                                 |

**NOTE:** All component dimensions given in U.S. inches  
1 inch = 25.4 mm

# REPAIR PARTS

TRACTOR- -MODEL NO. P11CRD (P11CRDA) PRODUCT NO. 964 78 02-00  
BAGGER



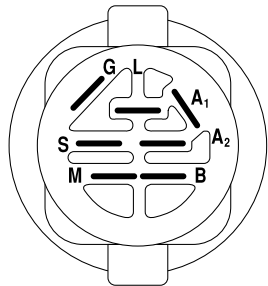
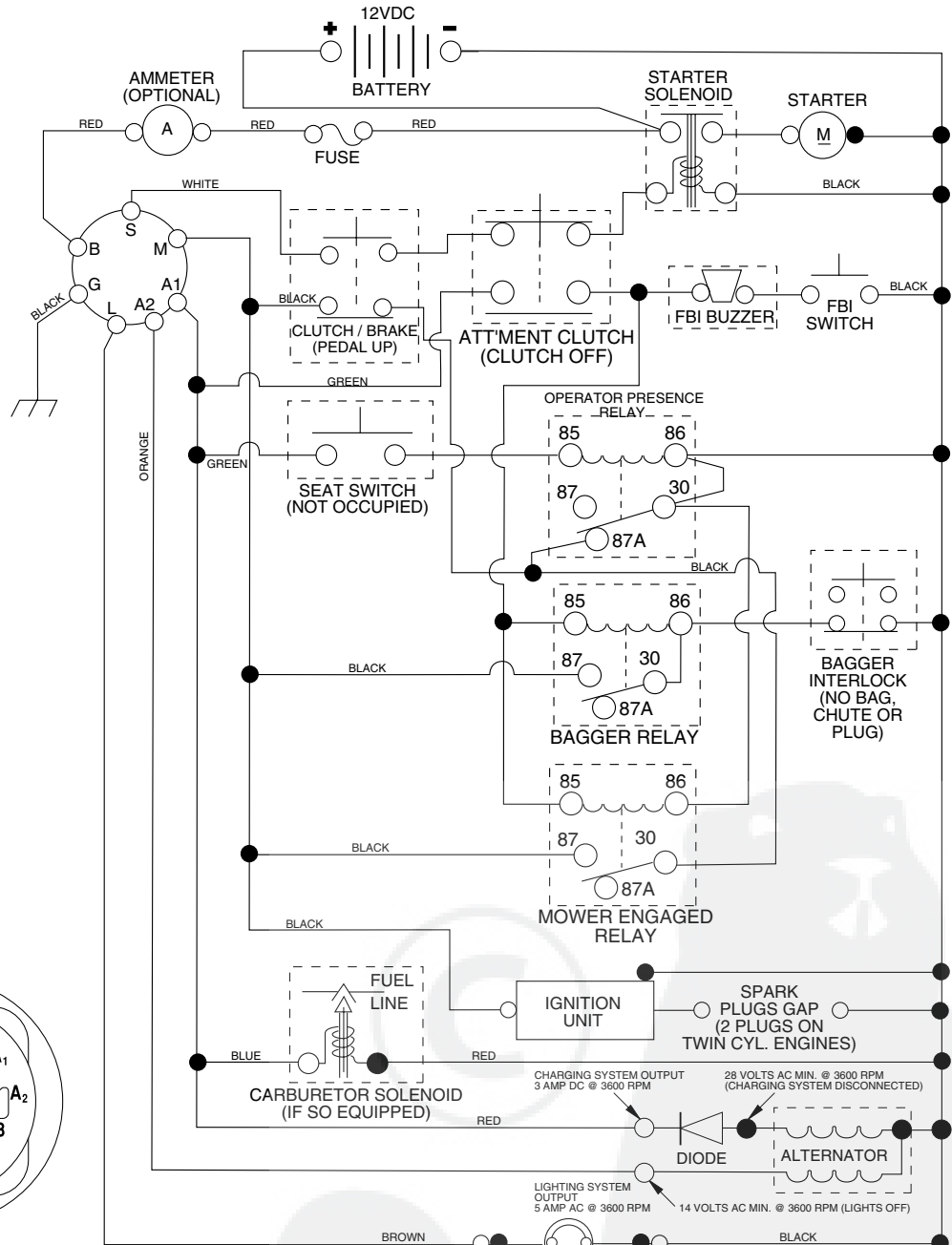
# REPAIR PARTS

TRACTOR- -MODEL NO. P11CRD (P11CRDA) PRODUCT NO. 964 78 02-00  
BAGGER

| KEY NO. | PART NO.     | DESCRIPTION                           |
|---------|--------------|---------------------------------------|
| 1       | 532 16 52-49 | Tube Handle Bagger CRD                |
| 2       | 872 14 04-16 | Bolt Carriage 1/4-20 x 2.0 Gr.5       |
| 3       | 532 12 39-76 | Nut Lock 1/4 Lge Flg Gr. 5 Zinc       |
| 4       | 532 16 99-16 | Handle Bagger w/Lvrs Gr. 5 Zinc       |
| 5       | 874 98 10-24 | Screw Pan Head #10-24 x 1.50 Blk      |
| 6       | 874 98 10-32 | Screw Pan Hd                          |
| 7       | 873 40 10-00 | Nut Wiz Lock Hex Serr/Hd #10-24       |
| 8       | 532 16 99-63 | Cover Bagger Plastic CRD MS421        |
| 9       | 872 14 04-18 | Bolt Carriage 1/4-20 x 2.25d x Gr.5   |
| 10      | 532 18 12-82 | Tube Support Bagger                   |
| 11      | 532 16 57-19 | Bracket Support Upper Bag CRD         |
| 12      | 532 16 96-85 | Bracket Horiz. Adj Bagger             |
| 13      | 872 11 06-06 | Bolt Rdhd Sht Sqnk 3/8-16 x 3/4       |
| 14      | 872 14 06-20 | Bolt RDHD 3/8-16 x 2-1/2 Gr.5         |
| 16      | 873 90 06-00 | Nut Lock Flg 3/8-16 Unc               |
| 17      | 872 14 05-06 | Bolt Rdhd Sht Sqnk 5/16 -18 Unc x 3/4 |
| 18      | 819 11 12-16 | Washer 11/32 x 3/4 x 16 Ga.           |
| 19      | 873 90 05-00 | Nut Lock Hex Flange 5/16-18           |
| 20      | 532 16 96-84 | Bracket Horiz Adj Bagger              |
| 21      | 532 18 08-80 | Bag Asm CRD                           |
| 22      | 532 16 57-81 | Bracket Side Bagger CRD               |
| 23      | 532 16 57-82 | Tube Upper Bagger CRD                 |
| 24      | 532 16 57-83 | Tube Pivot Bagger CRD                 |
| 25      | 532 18 01-24 | Tube Front Bagger CRD                 |
| 26      | 532 16 57-85 | Tube Lower Bagger CRD                 |
| 27      | 532 16 96-92 | Bushing Snap Bagger CRD               |
| 28      | 532 16 57-87 | Grip Handle Flange CRD Black          |
| 31      | 532 12 47-88 | Retainer Spring 1" Zinc/Cad           |
| 32      | 532 12 68-75 | Rivet Rd Hd Drilled 3/8 Dia           |
| 36      | 819 13 20-16 | Washer 13/32 x 1-1/4 x 16 Ga.         |
| 37      | 532 17 54-01 | Plug Support Bagger CRD               |
| 38      | 872 01 05-20 | Bolt 5/16-18 x 2-1/2                  |
| 39      | 532 18 09-85 | Seal Trim 37"                         |
| 41      | 532 16 96-83 | Bracket Vert Adj Bagger CRD           |
| 42      | 873 80 05-00 | Nut Lock Hx w/Ins 5/16-18 unc         |

**NOTE:** All component dimensions given in U.S. inches  
1 inch = 25.4 mm

# TRACTOR- -MODEL NO. P11CRD (P11CRDA) PRODUCT NO. 964 78 02-00 SCHEMATIC



**IGNITION SWITCH**

| POSITION  | CIRCUIT    | "MAKE" |
|-----------|------------|--------|
| OFF       | M+G+A1     | NONE   |
| RUN/LIGHT | B+A1       | A2+L   |
| RUN       | B+A1       | NONE   |
| START     | B + S + A1 | NONE   |

**WIRING INSULATED CLIPS**  
NOTE: IF WIRING INSULATED CLIPS WERE REMOVED FOR SERVICING OF UNIT, THEY SHOULD BE REPLACED TO PROPERLY SECURE YOUR WIRING.

●  
NON-REMOVABLE CONNECTIONS

○  
REMOVABLE CONNECTIONS

**PTO SWITCH**

| POSITION | CIRCUIT             |
|----------|---------------------|
| OFF      | C + G, B + H        |
| ON       | C + F, B + E, A + D |

**HEADLIGHTS**

**NOTE**  
YOUR TRACTOR IS EQUIPPED WITH A SPECIAL ALTERNATOR SYSTEM. THE LIGHTS ARE NOT CONNECTED TO THE BATTERY, BUT HAVE THEIR OWN ELECTRICAL SOURCE. BECAUSE OF THIS, THE BRIGHTNESS OF THE LIGHTS WILL CHANGE WITH ENGINE SPEED. AT IDLE THE LIGHTS WILL DIM. AS THE ENGINE IS SPEEDED UP, THE LIGHTS WILL BECOME THEIR BRIGHTEST.



**RELAY**

