

ILLUSTRATED PARTS BREAKDOWN

PARTNER

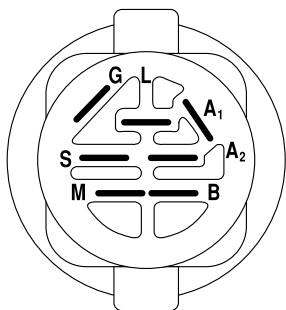
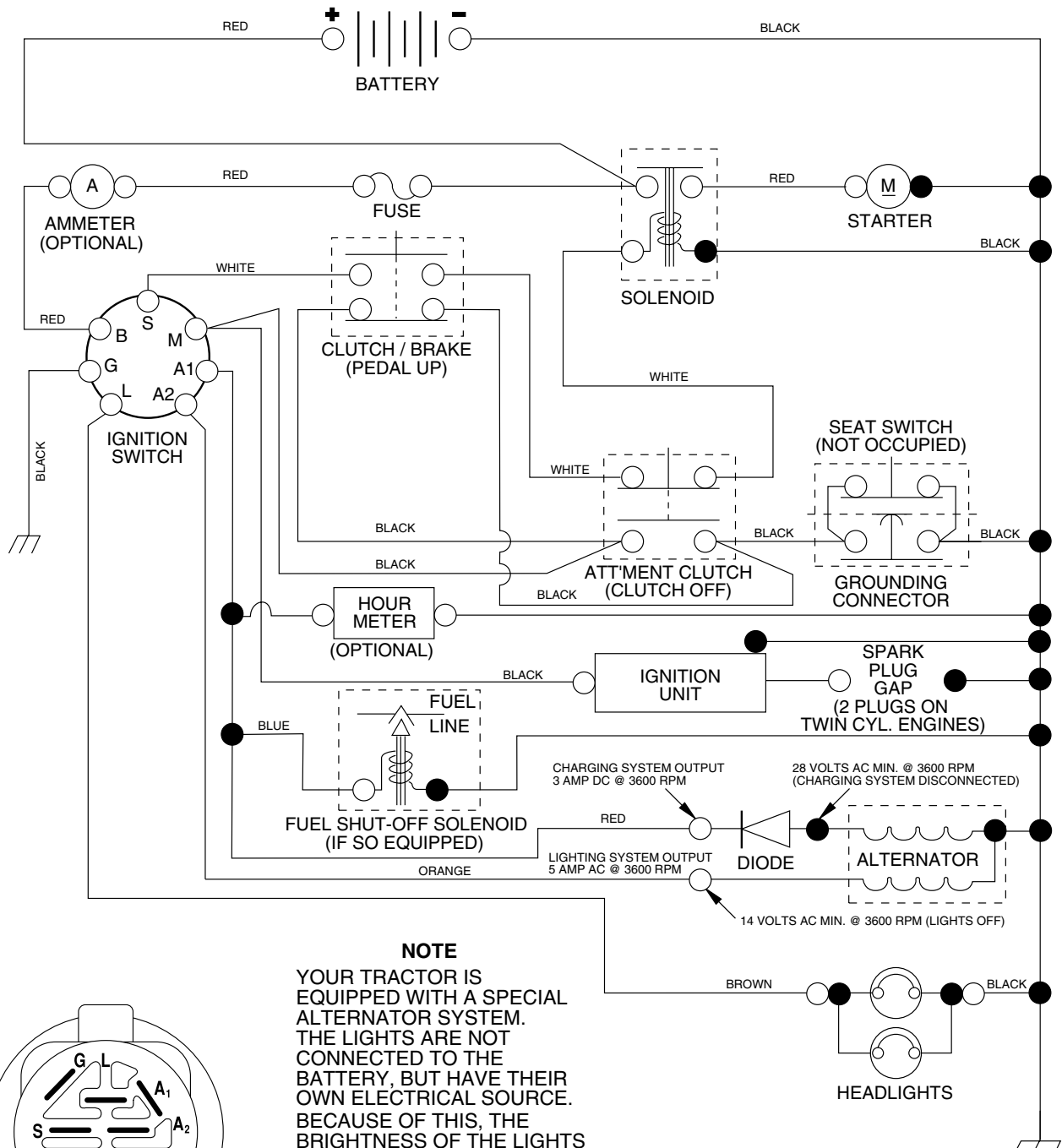
12 HP, 42" MOWER DECK

LAWN TRACTOR

MODEL NUMBER 12-107 (P12S105B)

954 12 00-30

TRACTOR- -MODEL NO. 12-107 (P12S105B), PRODUCT NO. 954 12 00-30 SCHEMATIC



IGNITION SWITCH

POSITION	CIRCUIT	"MAKE"
OFF	M+G+A1	NONE
RUN/LIGHT	B+A1	A2+L
RUN	B+A1	NONE
START	B + S + A1	NONE

NOTE
YOUR TRACTOR IS EQUIPPED WITH A SPECIAL ALTERNATOR SYSTEM. THE LIGHTS ARE NOT CONNECTED TO THE BATTERY, BUT HAVE THEIR OWN ELECTRICAL SOURCE. BECAUSE OF THIS, THE BRIGHTNESS OF THE LIGHTS WILL CHANGE WITH ENGINE SPEED. AT IDLE THE LIGHTS WILL DIM. AS THE ENGINE IS SPEEDED UP, THE LIGHTS WILL BECOME THEIR BRIGHTEST.

WIRING INSULATED CLIPS

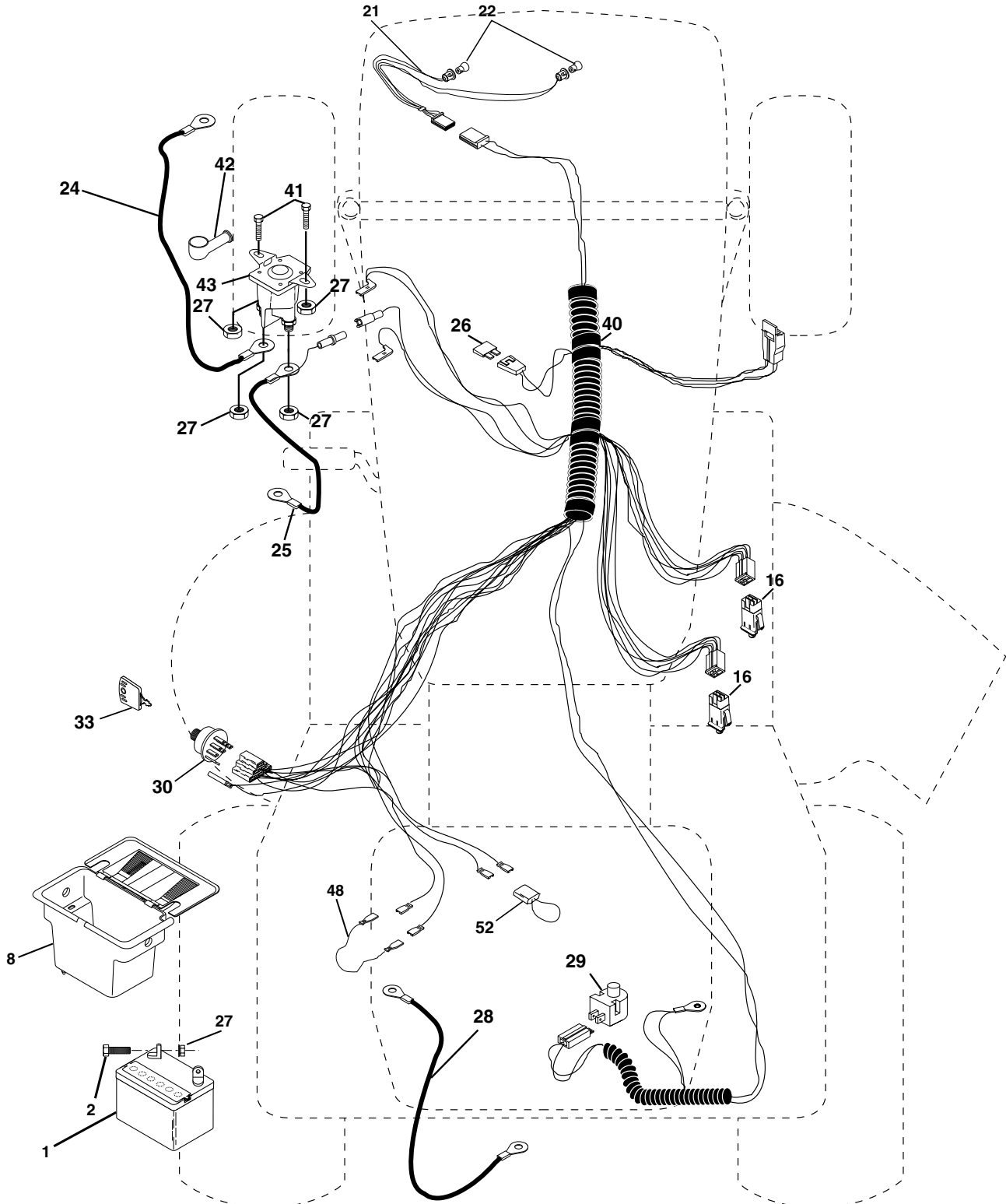
NOTE: IF WIRING INSULATED CLIPS WERE REMOVED FOR SERVICING OF UNIT, THEY SHOULD BE REPLACED TO PROPERLY SECURE YOUR WIRING.

NON-REMOVABLE CONNECTIONS

REMOVABLE CONNECTIONS

REPAIR PARTS

TRACTOR- -MODEL NO. 12-107 (P12S105B), PRODUCT NO. 954 12 00-30
ELECTRICAL



REPAIR PARTS

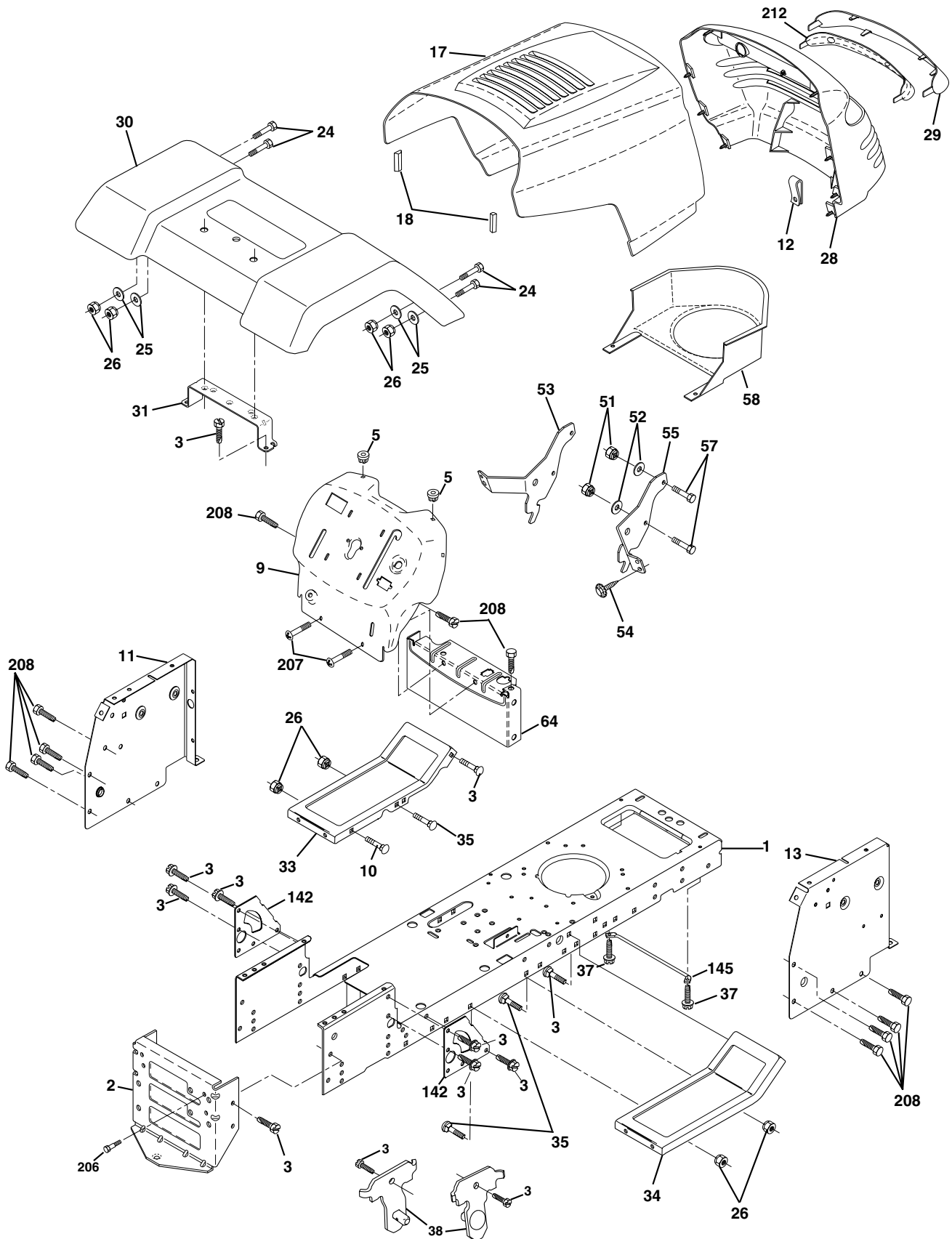
TRACTOR- -MODEL NO. 12-107 (P12S105B), PRODUCT NO. 954 12 00-30
ELECTRICAL

KEY NO.	PART NO.	DESCRIPTION
1	532144925	Battery 12 Volt 25 AMP
2	874760412	Bolt Hex Hd 1/4-20unc X 3/4
8	532156417	Case Battery Hng Mech W/lid
16	532153664	Switch Interlock Push-In
21	532166181	Harness Asm Light W/4152j
22	532004152	Bulb Light #1156
24	532124780	Cable Battery 6 Ga 11" Red
25	532146147	Cable Battery 6 Ga Red w/16 wir
26	532175158	Fuse
27	873510400	Nut Keps Hex 1/4-20 Unc
28	532124773	Cable Ground 6 Ga 12" black
29	532121305	Switch Plunger Nc Gray
30	532175566	Switch Ign
33	532140401	Key
40	532170217	Harness Ing Cl Am Hm
41	871110408	Bolt Blk Fin Hex 1/4 - 20 x 1/2
42	532131563	Cover Terminal Red
43	532175141	Solenoid
48	532140844	Adapter Ammeter Rectangular
52	532141940	Protection Wire Loop

NOTE: All component dimensions given in U.S. inches.
1 inch = 25.4 mm.

REPAIR PARTS

TRACTOR- -MODEL NO. 12-107 (P12S105B), PRODUCT NO. 954 12 00-30
CHASSIS AND ENCLOSURES



REPAIR PARTS

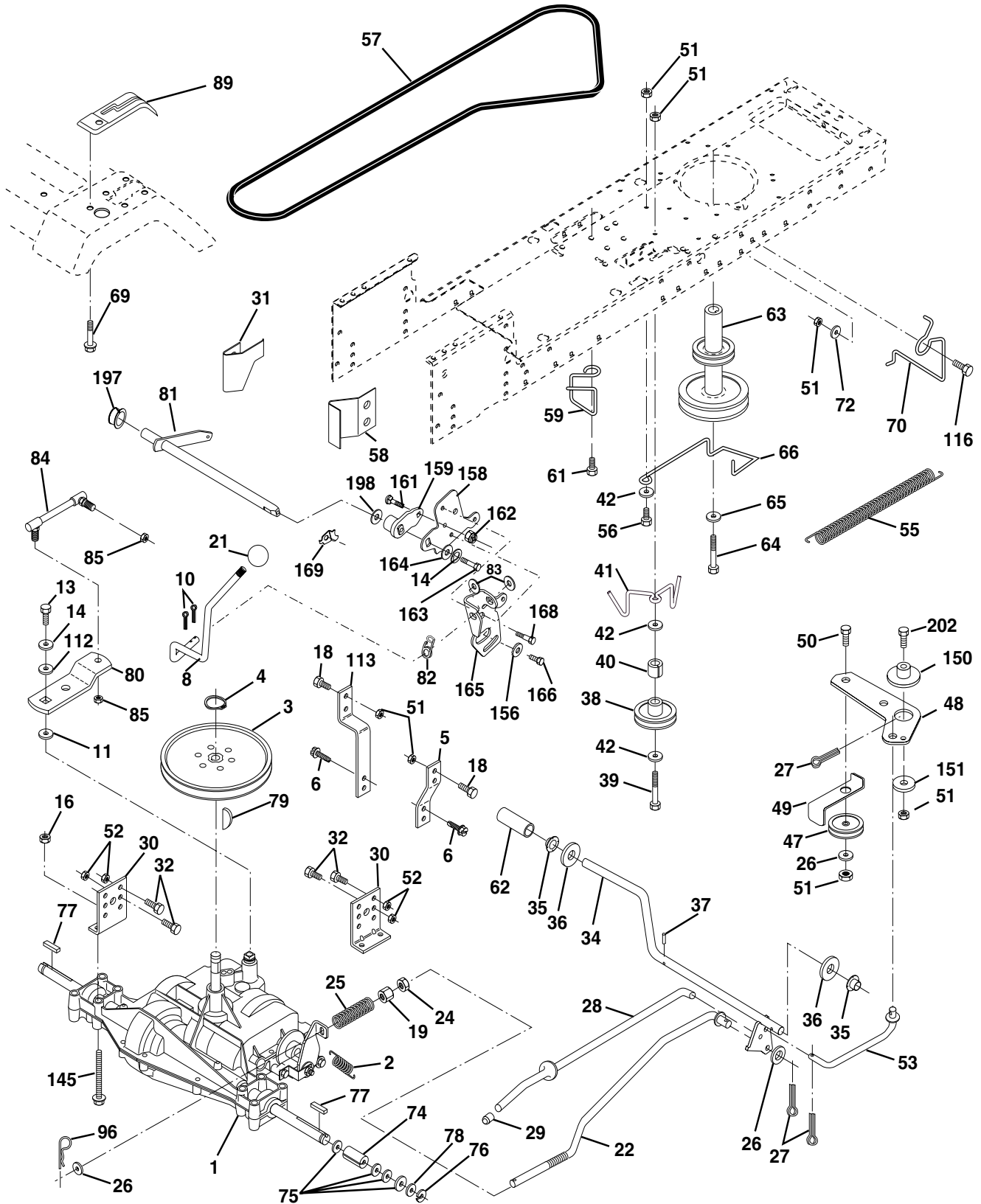
TRACTOR- -MODEL NO. 12-107 (P12S105B), PRODUCT NO. 954 12 00-30
CHASSIS AND ENCLOSURES

KEY NO.	PART NO.	DESCRIPTION
1	532169830	Chassis
2	532169061	Drawbar
3	817060612	Screw 3/8-16 x .75
5	532155272	Bumper Hood Dash
9	532172151	Dash
10	872140608	Bolt Rdhd Sqnk 3/8-16unc X 1
11	532155927	Panel Dash LH
12	532145660	Clip Tinnerman Grille P/L
13	532173025	Panel Dash RH
17	532160382	Hood
18	532126938	Bumper Hood
24	874780616	Bolt Fin Hex 3/8-16unc X 1 Gr. 5
25	819131312	Washer 13/32 X 13/16 X 12 Ga.
26	873800600	Nut Lock Hex w/Ins 3/8-16 Unc
28	532143499	Grille Private Label
29	532168154	Lens Grille Private Label
30	532173026	Fender
31	532136619	Bracket Fender Repl 109873x
33	532153539	Footrest Pnt LH
34	532153538	Footrest Pnt RH
35	872110606	Bolt Rdhd Sht Sqnk 3/8-16 X3/4
37	817490508	Screw Thdrol 5/16-18 x 1/2 Tyt
38	532169834	Bracket Asm Pivot Mower Rear
51	873800400	Nut Lock w/Insert 1/4-20
52	819091416	Washer 9/32 x 7/8 x 16 Ga.
53	532144697	Bracket Grille LH
54	532161464	Screw Hex Wshd 8-18 x 7/8
55	532144696	Bracket Grille RH
57	874780412	Bolt Hex 1/4-20 x 3/4
58	532150127	Air Duct Private Label
64	532154798	Dash Lower STLT
142	532165867	Plate Reinforcement STLT
145	532156524	Rod Pivot Chassis/Hood
206	532170165	Bolt Shoulder 5/16-18
207	817670508	Screw Thdrol 5/16-18 x 1/2
208	817670608	Screw Thdrol 3/8-16 x 1/2
212	532156229	Insert Lens REFLECT
--	532005479	Plug Button Blk 359 Dia Choke

NOTE: All component dimensions given in U.S. inches.
1 inch = 25.4 mm.

REPAIR PARTS

TRACTOR- -MODEL NO. 12-107 (P12S105B), PRODUCT NO. 954 12 00-30
DRIVE



REPAIR PARTS

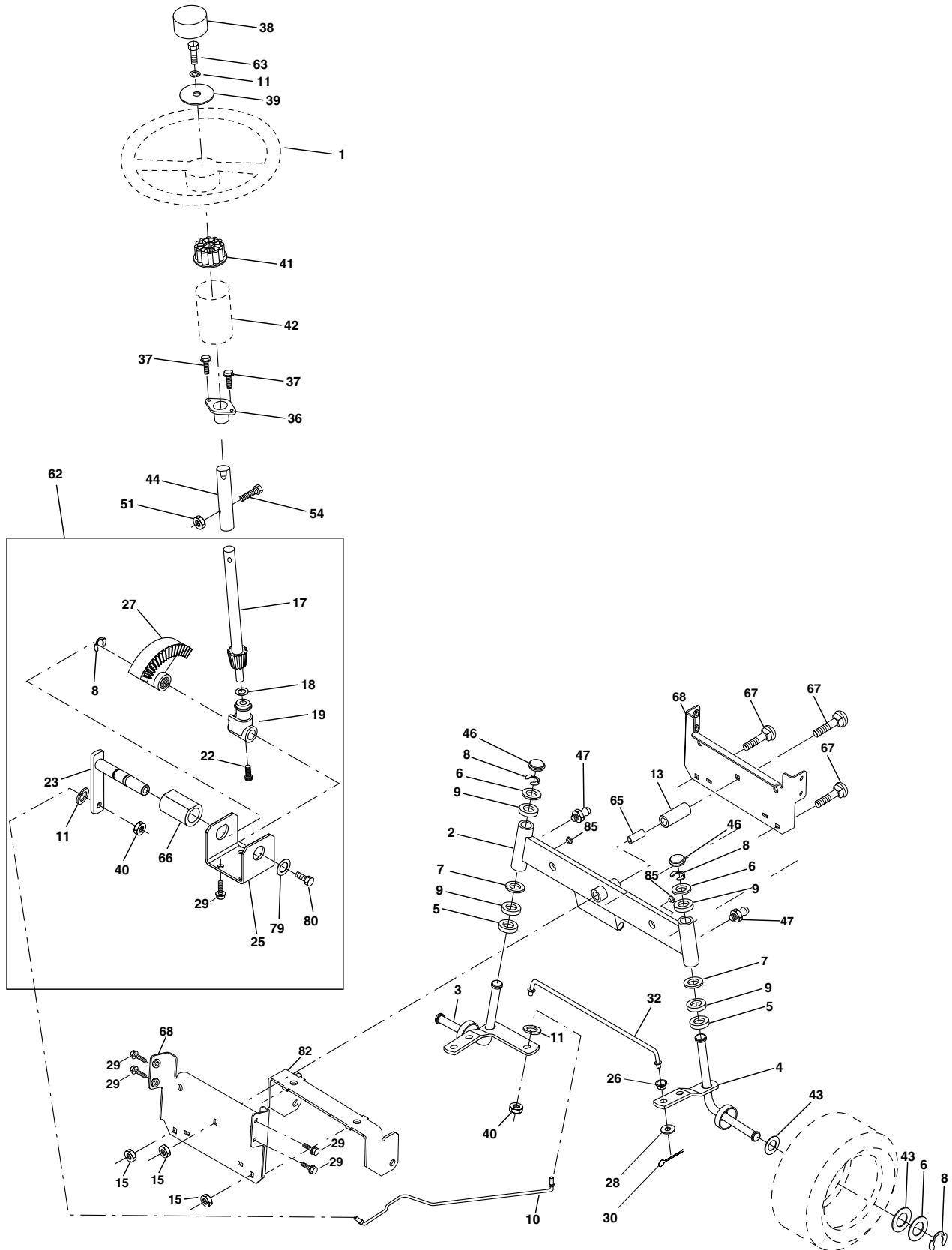
TRACTOR- -MODEL NO. 12-107 (P12S105B), PRODUCT NO. 954 12 00-30
DRIVE

KEY NO.	PART NO.	DESCRIPTION	KEY NO.	PART NO.	DESCRIPTION
1	-----	Transaxle (Order Parts From Transaxle Manufacturer) Peerless 205-544C	59	532169691	Keeper Belt Span Ctr
2	532146682	Spring Return Brake T/a Zinc	61	817060612	Screw 3/8-16x3/4
3	532123666	Pulley Transaxle 18" tires	62	532124872	Cover Pedal Round
4	812000028	Ring Retainer # 5100-62	63	532140186	Engine Pulley LT/YT
5	532121520	Strap Torque 30 Degrees	64	871170764	Bolt Hex
6	817060512	Screw Thdrol 5/16-18 X 3/4 TYT	65	810040700	Washer Lock Hvy Hlcl Spr 7/16
8	532165619	Rod Shift Fender Adjust STLT	66	532154778	Keeper Belt Engine Foolproof
10	876020416	Pin Cotter 1/8 X 1 Cad	69	532142432	Screw Hex Wsh Hi-Lo 1/4-1/2
11	532105701	Washer Plate Shf 388 Sq Hole	70	532134683	Guide Belt Mower Drive RH
13	874550412	Bolt 1/4-28 Unf Gr 8 W/Patch	72	819132012	Washer 13/32 X 1-1/4 X 12 Ga
14	810040400	Washer Lock Hvy Helical 1/4	74	532137057	Spacer Axle
16	873800500	Nut Lock Hx W/Ins 5/16-18 Unc Pl	75	532121749	Washer 25/32 X 1 1/4 X 16 Ga
18	874780616	Bolt, Fin Hex 3/8-16 UNC x 1 Gr. 5	76	812000001	E-ring #5133-75
19	873800600	Nut Lock 3/8-16 Unc	77	532123583	Key Square 2 0 X 1845/ 1865
21	532106933	Knob	78	532121748	Washer 25/32 X 1-5/8 X 16 Ga
22	532130804	Rod Brake Blk Zinc 26 840	79	532125096	Key Woodruff #9 3/16 x 3/4
24	873350600	Nut Hex Jam 3/8-16 Unc	80	532131486	Arm Shift
25	532106888	Spring Rod Brake 2 00 Zinc	81	532165594	Shaft Asm Cross Tapered DA/PR 18"
26	819131316	Washer 13/32 X 13/16 X 16 Ga	82	532123782	Spring Torsion T/a
27	876020412	Pin Cotter 1/8 X 3/4 Cad	83	819171216	Washer 17/32 X 3/4 X 16 Ga
28	532145204	Rod Brake Parking LT/YT	84	532166228	Transaxle Link
29	532071673	Cap Brake Parking Black	85	532150360	Nut Lock Center 1/4 - 28 FNTHD
30	532174973	Bracket Mtg Transaxle	89	532173774	Console Shift STLT
31	532127275	Keeper Belt LH LT 14 Ga	96	532124788	Retainer Spring 1"
32	874760512	Bolt Hex Hd 5/16-18unc X 3/4	112	819091210	Washer 9/32 x 3/4 x 10 Ga.
34	532155071	Shaft Asm Pedal Foot	113	532127285	Strap Torque LT
35	532120183	Bearing Nylon Blk 629 Id	116	872110610	Bolt Rdhd Sq Neck 3/8-16 x 1.25
36	819211616	Washer 21/32 X 1 X 16 Ga	145	874490540	Bolt Hex Flg Hd 5/16-18 Gr 5
37	532124963	Pin Roll 3/16 X 1"	150	532165850	Bushing Bellcrank
38	532131494	Pulley Idler Flat	151	819133210	Washer 13/32 x 2 x 10 Ga.
39	874760644	Bolt Rdhd 3/8-16unc X 2-3/4 Gr 5	156	532166002	Washer Srrted 5/16ID x 1.125
40	532124965	Spacer Split 395 X 59 Bzp	158	532165589	Bracket Shift Mount
41	532165838	Keeper Belt Idler Flat	159	532165494	Hub Tapered Flange Shift Lt
42	819131312	Washer 13/32 X 13/16 X 12 Ga	161	872140406	Bolt Rdhd Sqnk 1/4-20 x 3/4 Gr 5
47	532127783	Pulley Idler V Groove Plastic	162	873680400	Nut Crownlock 1/4-20 Unc
48	532154407	Bellcrank Clutch Grnd Drv Stl	163	874780416	Bolt Hex Fin 1/4-20 Unc x 1 Gr 5
49	532123205	Retainer Belt Style Spring	164	819091010	Washer 5/8 x .281 x 10 Ga
50	874760624	Bolt Hex Hd 3/8-16unc X 1-1/2	165	532165623	Bracket Pivot Lever
51	873680600	Nut Crownlock 3/8-16 Unc	166	532166880	Screw 5/16-18 x 5/8
52	873680500	Nut Crownlock 5/16-18 Unc	168	532165492	Bolt Shoulder 5/16-18 x .561
53	532105710	Link Clutch	169	532165580	Plate Fastening STLT/CRD
55	532105709	Spring Return Clutch 6 75	197	532169613	Nyliner Snap-In 5/8" ID
56	874760620	Bolt Fin Hx 3/8-16 X 1/4	198	532169593	Washer Nyl 7/8 Id x .105" Hyd
57	532130801	V-Belt Ground Drive 95 25	202	872110612	Bolt Carr Sh 3/8-16 x 1-1/2 Gr 5
58	532127274	Keeper Belt RH LT Pnt/zinc 16g			

NOTE: All component dimensions given in U.S. inches
1 inch = 25.4 mm

REPAIR PARTS

TRACTOR- -MODEL NO. 12-107 (P12S105B), PRODUCT NO. 954 12 00-30
STEERING ASSEMBLY



REPAIR PARTS

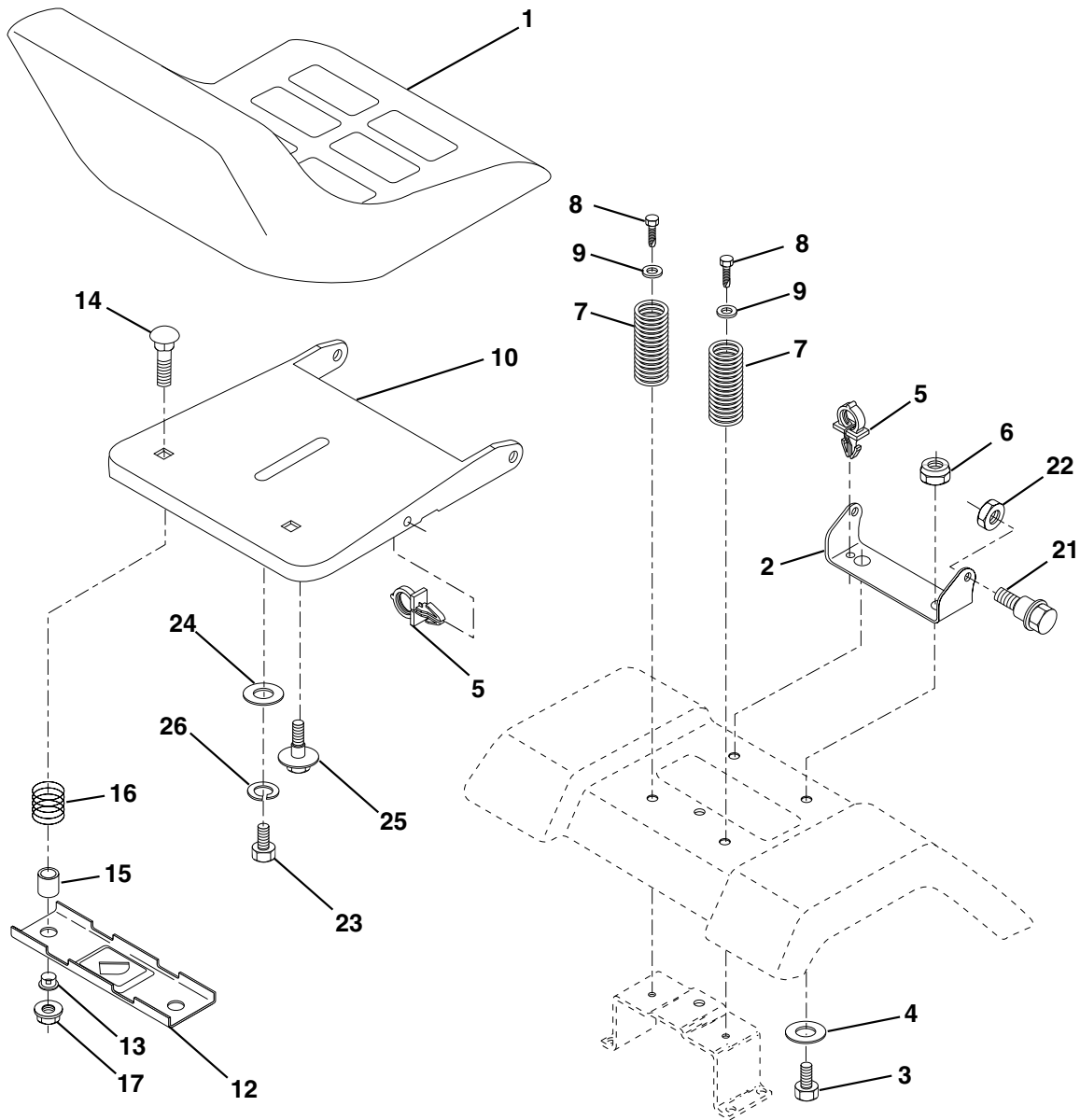
TRACTOR- -MODEL NO. 12-107 (P12S105B), PRODUCT NO. 954 12 00-30 STEERING ASSEMBLY

KEY NO.	PART NO.	DESCRIPTION
1	532139768	Wheel Steering
2	532154427	Axle Asm Fr
3	532169840	Spindle Asm LH
4	532169839	Spindle Asm RH
5	532124931	Bearing Race Thrust Harden
6	532121748	Washer 25/32 x 1-5/8 x 16 Ga
7	819272016	Washer 27/32 x 1-1/4 x 16 Ga
8	812000029	Ring Klip #5304-75
9	532124937	Bearing Col Strg Blk
10	532169832	Link Drag
11	810040600	Washer Lock Hvy Hlcl Spr 3/8
13	532136518	Spacer Brace Axle
15	532145212	Nut Hexflange Lock
17	532156546	Shaft Asm Strg
18	532057079	Washer Thrust 515 x 750 x 033
19	532160395	Support Shaft
22	532165857	Screw Hex Wshhd Torx
23	532165851	Shaft Asm Pittman
25	532154406	Bracket Steering
26	532126847	Bushing Link Drag Blk LR
27	532136874	Gear Sector
28	819131416	Washer 13/32 x 7/8 x 16 Ga
29	817060612	Screw 3/8-16 x .75
30	876020412	Pin Cotter 1/8 x 3/4 Cad
32	532130465	Rod Tie Wire Form 19 75 Mech
36	532155099	Bushing Strg Nat .623/.618ld
37	532152927	Screw TT #10-32 x 5 x 3/8 Flange
38	532140175	Cap Wheel Steer P/L
39	819133812	Washer 13/32 x 2-3/8 x 12 Ga
40	532124701	Nut Lock Center 3/8-24unf
41	532100711	Adaptor Wheel Strg
42	532169633	Boot Shaft Steering
43	532121749	Washer 25/32 X 1 1/4 X 16 Ga
44	532153720	Extension Steering
46	532121232	Cap Spindle Fr Top Blk
47	532124836	Fitting Grease
51	873800500	Nut Lock Hx w/Ins 5/16-18 Unc
54	874780520	Bolt Fin Hex 5/16-18 Unc x 1-1/4
62	532167902	Kit Steering Assembly Serv
63	874780616	Bolt Fin Hex 3/8-16 UNC Gr. 5
65	532160367	Spacer Brace Axle
66	532154404	Bearing Arm Pittman
67	872140618	Bolt RDHD SQ 3/8-16 UNC x 2-1/4
68	532169827	Brace Axle
79	819132012	Washer 13/32 x 1-1/4 x 12 Ga.
80	874950612	Bolt Hex Nylon 3/8-16 x 3/4
82	532169835	Bracket Susp. Chassis Front
85	532133835	Fastener Christmas Tree

NOTE: All component dimensions given in U.S. inches.
1 inch = 25.4 mm.

REPAIR PARTS

TRACTOR- -MODEL NO. 12-107 (P12S105B), PRODUCT NO. 954 12 00-30
SEAT ASSEMBLY



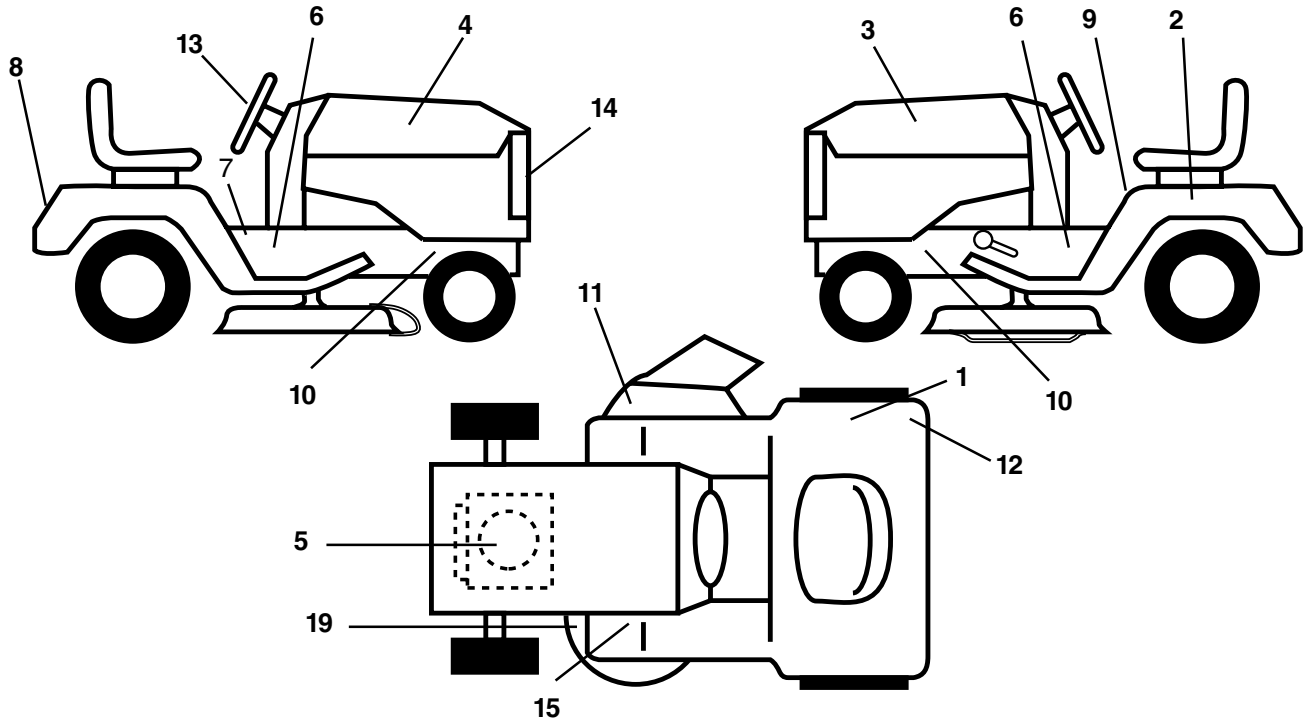
KEY NO.	PART NO.	DESCRIPTION
1	532140116	Seat
2	532140551	Bracket Pivot Seat 8 720
3	871110616	Bolt Fin Hex 3/8-16unc X 1
4	819131610	Washer 13/32 X 1 X 10 Ga
5	532145006	Clip Push-In
6	873800600	Nut Lock Hex w/Wsh 3/8-16 Unc
7	532124181	Spring Seat Cprsn 2 250 Blk Zi
8	817000616	Screw 3/8-16 X 1.5
9	819131614	Washer 13/32 X 1 X 14 Ga.
10	532174894	Pan Seat
12	532121246	Bracket Mounting Switch
13	532121248	Bushing Snap Blk Nyl 50 Id

KEY NO.	PART NO.	DESCRIPTION
14	872050412	Bolt Rdhd Sht Nk 1/4-20x1-1/2
15	532134300	Spacer Split 28x 96 Yel Zinc
16	532121250	Spring Cprsn 1 27 Blk Pnt
17	532123976	Nut Lock 1/4 Lge Flg Gr 5 Zinc
21	532171852	Bolt Shoulder 5/16-18 Unc -2A
22	873800500	Nut Lock Hex W/Insert 5/16-18 UNC
23	871110814	Bolt Hex
24	819171912	Washer 17/32 X 1-3/16 X 12 Ga.
25	532127018	Bolt Shoulder 5/16-18 X 62
26	810040800	Washer Lock Hvy HLCLSPR 1/2

NOTE: All component dimensions given in U.S. inches.
1 inch = 25.4 mm

REPAIR PARTS

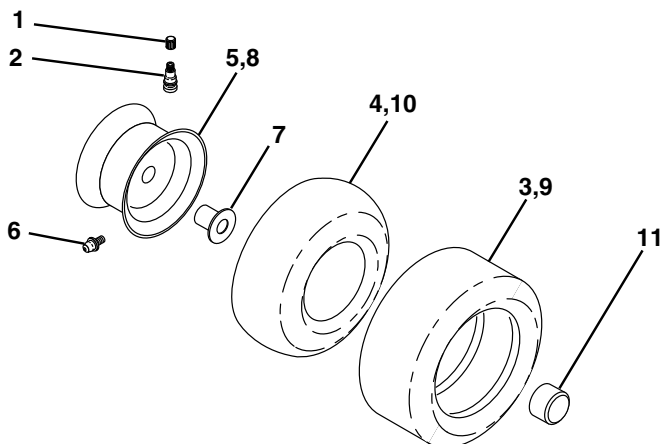
TRACTOR- -MODEL NO. 12-107 (P12S105B), PRODUCT NO. 954 12 00-30
DECALS



KEY NO.	PART NO.	DESCRIPTION
1	532145437	Decal Europe Stand CE
2	532145005	Decal Bat Dan/Poi P/L Symbols
3	532175959	Decal Hood LH
4	532175958	Decal Hood RH
5	532170832	Decal Engine
6	532137588	Decal Chas. Turbo Collection
7	532140837	Decal Saddle Brake Parking
8	532140987	Decal Fender Bernard
9	532145498	Decal Read Owners Manual Syms
10	532159736	Decal Chassis Hot Muffler
11	532145494	Decal Mower Cut finger Symbol

KEY NO.	PART NO.	DESCRIPTION
12	532126187	Decal 100 Db
13	532146998	Decal Strg Wheel Cap
14	532140986	Decal Logo Grille
15	532159737	Decal Brake/Clutch
19	532160396	Decal V-Belt Sch
--	532162598	Decal Drawbar Load Limit
--	532138311	Decal Lift Handle (Lift Handle)
--	532176663	Manual Operator's Euro
--	532176665	Manual Operator's Scan

WHEELS & TIRES

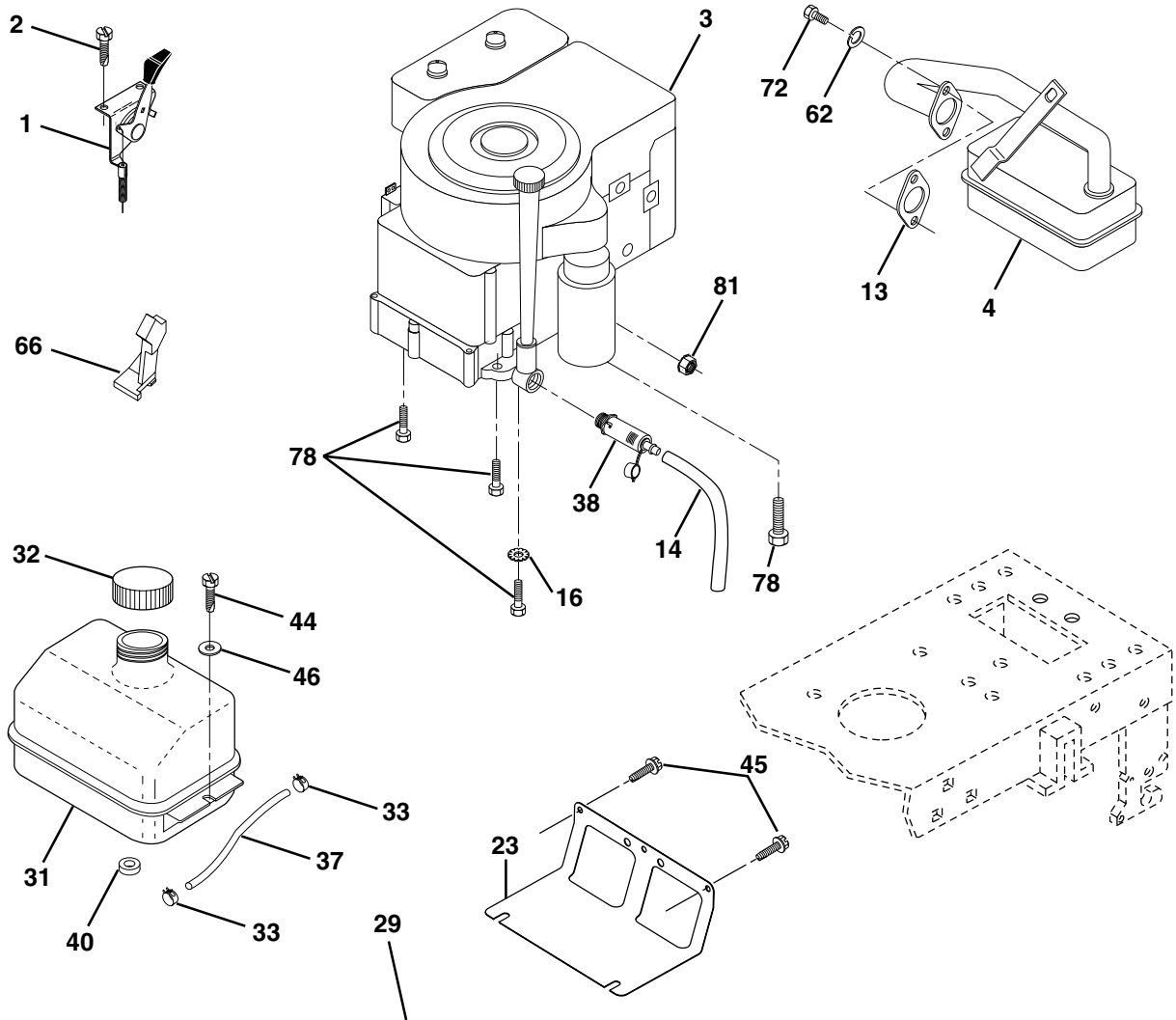


KEY NO.	PART NO.	DESCRIPTION
1	532059192	Cap Valve Tire
2	532065139	Stem Valve
3	532106268	Tire R 18 X 9.5 - 8 Service
4	532059904	Tube Front (Service Item Only)
5	532125121	Rim Asm 6" front Yellow Service
6	532124957	Fitting Grease (Front Wheel Only)
7	532124959	Bearing Flange (Front Wheel Only)
8	532125122	Rim Asm 8" rear Yellow Service
9	532106268	Tire R Ts 18 x 9.5-8 C. Service
10	532124926	Tube Rear (Service Item Only)
11	532175039	Cap Axle Blk 1 50 X 1 00

NOTE: All component dimensions given in U.S. inches
1 inch = 25.4 mm

REPAIR PARTS

TRACTOR- -MODEL NO. 12-107 (P12S105B), PRODUCT NO. 954 12 00-30
ENGINE



OPTIONAL EQUIPMENT
Spark Arrester

REPAIR PARTS

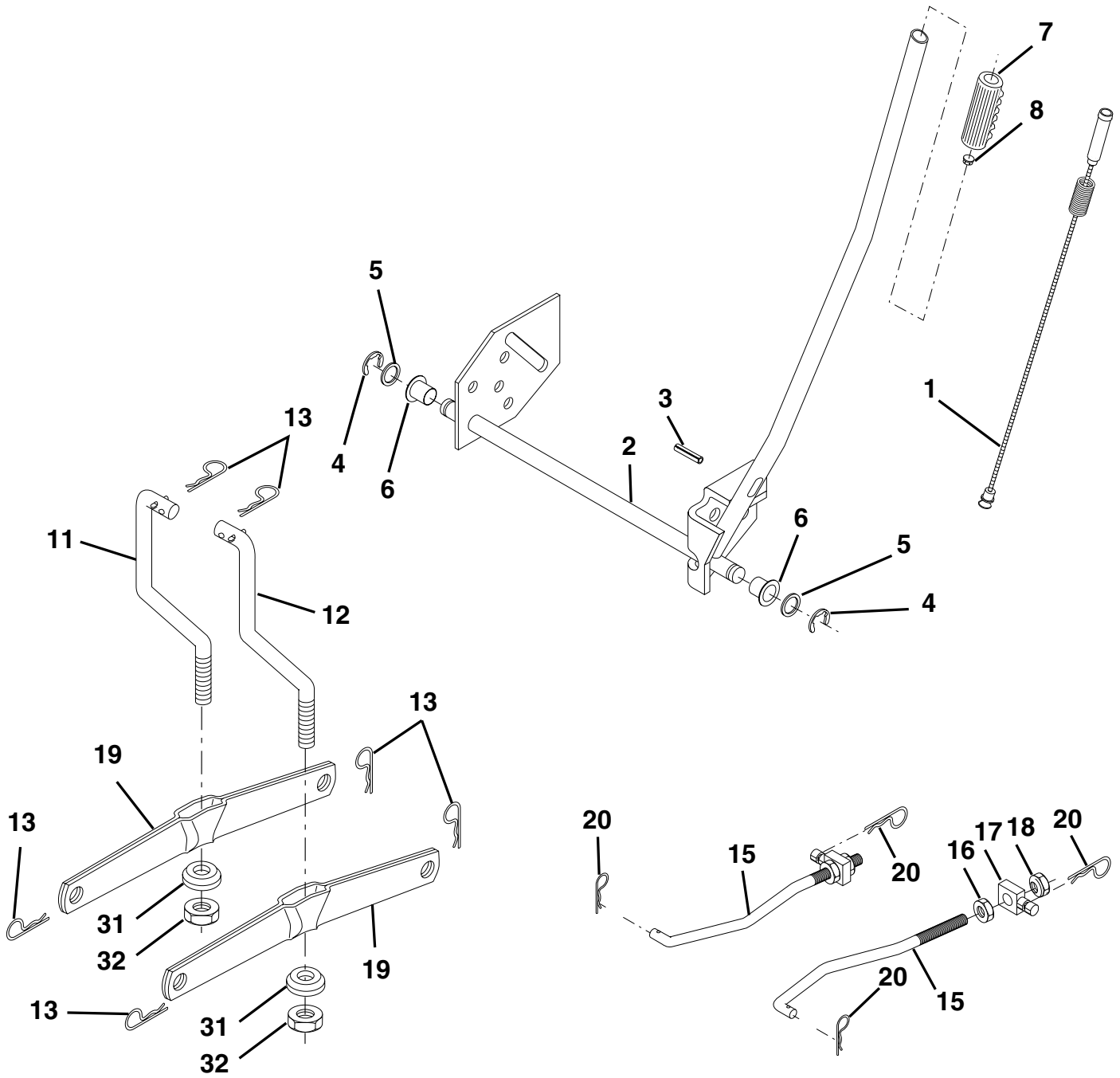
TRACTOR- -MODEL NO. 12-107 (P12S105B), PRODUCT NO. 954 12 00-30
ENGINE

KEY NO.	PART NO.	DESCRIPTION
1	532170865	Control Th/ch Flag Eec
2	817720410	Screw Hex Thd Cut 1/4-20 x 5/8 T
3	-----	Engine B&S Model No. 289707 (Order parts from engine manufacturer)
4	532137348	Muffler LT B&S 12/12 5 HP
13	532165291	Gasket Eng
14	532148456	Tube Oil Drain Easy
16	811050600	Washer Lock Ext Tooth 3/8
23	532169837	Shield Brn/Dbr Guard
29	532137180	Kit Spark Arrecter
31	532109202	Tank Fuel Front 1.25
32	532140527	Cap Asm Fuel W/sym Vented
33	532123487	Clamp Hose Blk
37	532137040	Line Fuel 20"
38	532148315	Plug Oil Drain Easy
40	532124028	Bushing Snap Nyl Blk Fuel Line
44	817670412	Screw Hexwsh Thdrol 1/4-20 x 3/4
45	817000612	Screw Hexwsh Thdrol 3/8-16 x 3/4
46	819091416	Washer 9/32 x 7/8 x 16 Ga.
62	810040500	Washer Lock Hvy Hlcl Spr 5/16
66	532127951	Stop Throt 3000 Rpm
72	871070512	Screw Hexhd Cap 5/16-18x3/4
78	817060620	Screw 3/8-16 x 1-1/4
81	873510400	Nut Keps Hex 1/4-20 UNC

NOTE: All component dimensions given in U.S. inches
1 inch = 25.4 mm

REPAIR PARTS

TRACTOR- -MODEL NO. 12-107 (P12S105B), PRODUCT NO. 954 12 00-30
MOWER LIFT



REPAIR PARTS

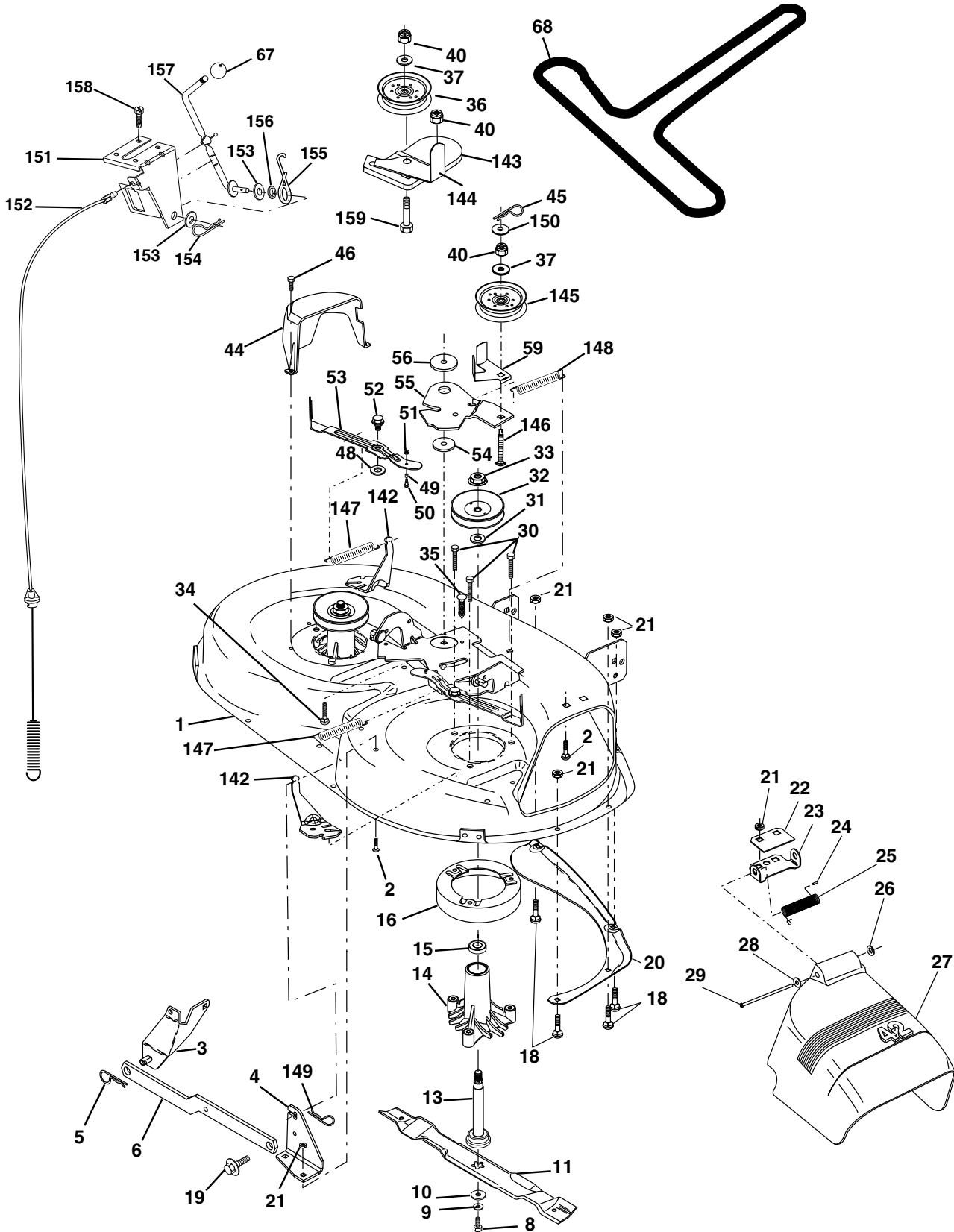
TRACTOR- -MODEL NO. 12-107 (P12S105B), PRODUCT NO. 954 12 00-30
MOWER LIFT

KEY NO.	PART NO.	DESCRIPTION
1	532159460	Wire Asm Inner W/Plunger
2	532159471	Shaft Asm Lift
3	532105767	Pin Groove
4	812000002	E Ring #5133-62
5	819211621	Washer PLTD 21/32 X 1 X 21ga
6	532120183	Bearing Nylon Blk 629 Id
7	532109413	Grip Handle Bicycle Matte Blk
8	532124526	Button Plunger Black
11	532139865	Link Lift LH
12	532139866	Link Lift RH
13	532124670	Retainer Spring
15	532173288	Link Front
16	873350800	Nut Jam Hex 1/2-13 Unc
17	532130171	Trunnion Blk Zinc
18	873800800	Nut Lock W/Wsh 1/2-13 Unc
19	532139868	Arm Suspension Rear
20	532163552	Retainer Spring
31	532169865	Bearing Pvt Lift
32	873540600	Nut Crownlock 3/8-24

NOTE: All component dimensions given in U.S. inches
1 inch = 25.4 mm

REPAIR PARTS

TRACTOR- -MODEL NO. 12-107 (P12S105B), PRODUCT NO. 954 12 00-30
MOWER



REPAIR PARTS

TRACTOR- -MODEL NO. 12-107 (P12S105B), PRODUCT NO. 954 12 00-30
MOWER

KEY NO.	PART NO.	DESCRIPTION	KEY NO.	PART NO.	DESCRIPTION
1	532165892	Housing Asm Mower 42" T-Path	45	532124788	Spring Retainer 1" Zinc/cad
2	872140506	Bolt Rdhd Sqnk 5/16-18unc X3/4	46	532137729	Screw Hex Thd Cut 1/4-20x5/8 T
3	532138017	Bracket Asm Fr Sway Bar 38/42	48	532133944	Washer Hardened Smaller
4	532165460	Bracket Asm Deck 42" sway Bar	49	532174284	Roller Asm Cam Follower 42" dec
5	532124670	Retainer Spring	50	532131340	Bolt Shldr 10-24 Zinc Gr 5 42"
6	532130832	Arm Suspension Rear	51	532069180	Nut Lock #10-24 Unc
8	532850857	Bolt 3/8 - 24 X 1.25 Gr 8	52	532139888	Bolt Shoulder 5/16-18 Unc Blkz
9	810030600	Washer Lock Hvy 3/8 Unplated	53	532131845	Arm Asm Pad Brake
10	532140296	Washer Hard Blade Mower	54	532133943	Washer Hardened
11	532138498	Blade Mower High Lift	55	532155046	Arm Idler 42" mower LT/YT
13	532137645	Shaft Asm W/Lower Bearing	56	532165723	Spacer Retainer Pm Mower
14	532128774	Housing Mandrel Vented (Machd)	59	532141043	Guard TUV Idler
15	532110485	Bearing Ball Mandrel	67	532106932	Knob Rd 3/8-16 Plstc Thds Blk
16	532140329	Stripper Round Mower	68	532144959	V-Belt Mower
18	872140505	Bolt Carr 5/16-18 X 5/8	142	532165890	Arm Spring Brake Mower
19	532132827	Bolt Shoulder	143	532157109	Bracket Arm Idler 42"
20	532159770	Baffle Vortex 42"	144	532158634	Keeper Belt 42" Clutch Cable
21	873680500	Nut Crown Lock 5/16-18	145	532165888	Pulley Idler Flat
22	532134753	Stiffener Bracket 42" deck	146	532171977	Bolt Carriage Idler
23	532131267	Bracket Deflector Mower 42"	147	532131335	Spring Extension
24	532105304	Cap Sleeve 80x 112 Blk Mower	148	532169022	Spring Return Idler
25	532123713	Spring Torsion Deflector 2 52	149	532165898	Retainer Spring Yellow
26	532110452	Nut Push Phos & Oil	150	819091216	Washer 9/32 x 3/4 x 16 Ga.
27	532171859	Shield Deflector Mower 42"	151	532169670	Bracket Clutch Cable
28	819111016	Washer 11/32 X 5/8 X 16 Ga.	152	532169676	Clutch Cable 42"
29	532131491	Rod Hinge 42" 6 75 Wlg	153	532169674	Washer Flat 3/8" Type B
30	532157722	Screw Thdrol Washer Head	154	532169675	Spring Retainer
31	532129963	Washer Spacer Mower Vented	155	532169671	Spring Retention Lvr Cltch Cab
32	532153535	Pulley Mandrel 42/44/50	156	532169672	Spacer Clutch Cable
33	532137266	Nut 9/16 Top Lock Fing Oil Dip	157	532169669	Rod Clutch Cable 3/8"
34	872110614	Bolt Rdhd 3/8-16unc X 1-3/4 Gr5	158	817720410	Screw Hex Thd Cut 1/4-20 x 5/8
35	532133835	Fastner Christmas Tree	159	872140614	Bolt Rdhd Sqnk 3/8-16 UNC x 1-3/4
36	532131494	Pulley Idler Flat 3 060	--	532171639	Deck Serv 42"
37	819131316	Washer 13/32 X 13/16 X 16	--	532130794	Mandrel Asm Service (Includes Key Nos. 8-10, 12-15, 31 and 33)
40	873680600	Nut, Crownlock 3/8-16 UNC			
44	532140088	Guard Mandrel LH Black			

NOTE: All component dimensions given in U.S. inches
1 inch = 25.4 mm