



**REPAIR
PARTS MANUAL
MODEL NO. RER12536E
Lawn Tractor**

Rally

HOW TO USE THIS MANUAL

This manual is designed to provide the customer with a means to identify the parts on his/her tractor when ordering repair parts. The illustrations may or may not represent the actual assemblies; therefore, it is not recommended to use this manual as a guide to assemble or disassemble the tractor. Some hardware and parts are drawn larger in order to more readily identify them.

Each tractor has its own model number.

The model number for your tractor can be found on the fender under the seat.

When ordering parts, always give the following information:

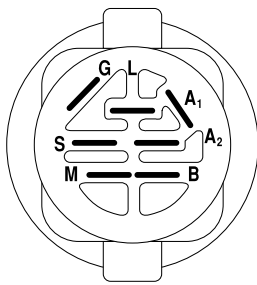
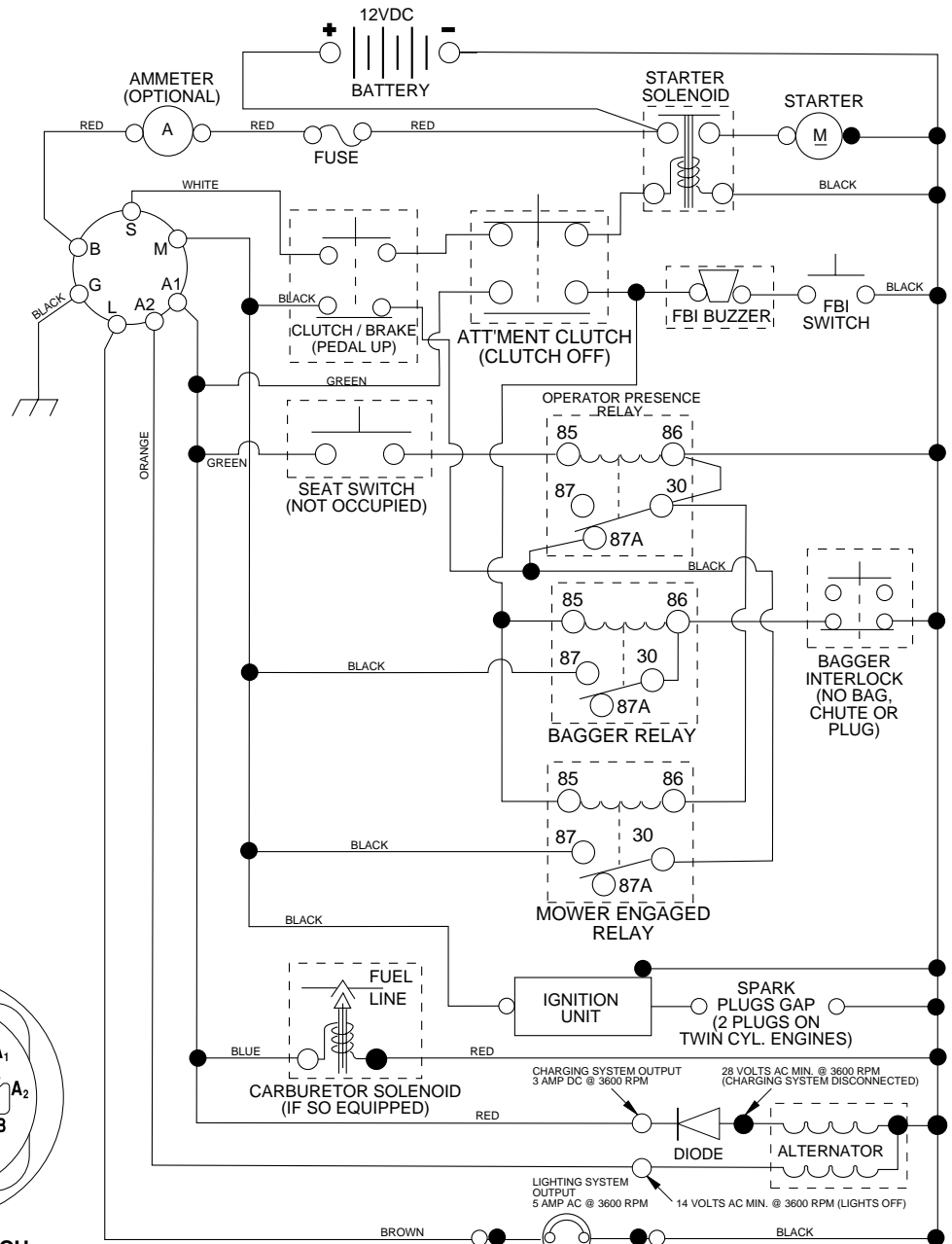
- Product - "Tractor"
- Model Number - "RER12536E"
- Part Number
- Part Description

TABLE OF CONTENTS

SCHEMATIC	3
ELECTRICAL	4-5
CHASSIS	6-7
DRIVE	8-9
STEERING	10-11
SEAT	12
DECALS	13
ENGINE	14-15
MOWER LIFT	16-17
MOWER DECK	18-19
BAGGER	20-21

TRACTOR- -MODEL NO. RER12536E

SCHEMATIC



IGNITION SWITCH

POSITION	CIRCUIT	"MAKE"
OFF	M+G+A1	NONE
RUN/LIGHT	B+A1	A2+L
RUN	B+A1	NONE
START	B + S + A1	NONE

WIRING INSULATED CLIPS
NOTE: IF WIRING INSULATED CLIPS WERE REMOVED FOR SERVICING OF UNIT, THEY SHOULD BE REPLACED TO PROPERLY SECURE YOUR WIRING.

●
 NON-REMOVABLE CONNECTIONS

○
 REMOVABLE CONNECTIONS

PTO SWITCH

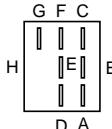
POSITION	CIRCUIT
OFF	C + G, B + H
ON	C + F, B + E, A + D

HEADLIGHTS

NOTE
 YOUR TRACTOR IS EQUIPPED WITH A SPECIAL ALTERNATOR SYSTEM. THE LIGHTS ARE NOT CONNECTED TO THE BATTERY, BUT HAVE THEIR OWN ELECTRICAL SOURCE. BECAUSE OF THIS, THE BRIGHTNESS OF THE LIGHTS WILL CHANGE WITH ENGINE SPEED. AT IDLE THE LIGHTS WILL DIM. AS THE ENGINE IS SPEEDED UP, THE LIGHTS WILL BECOME THEIR BRIGHTEST.



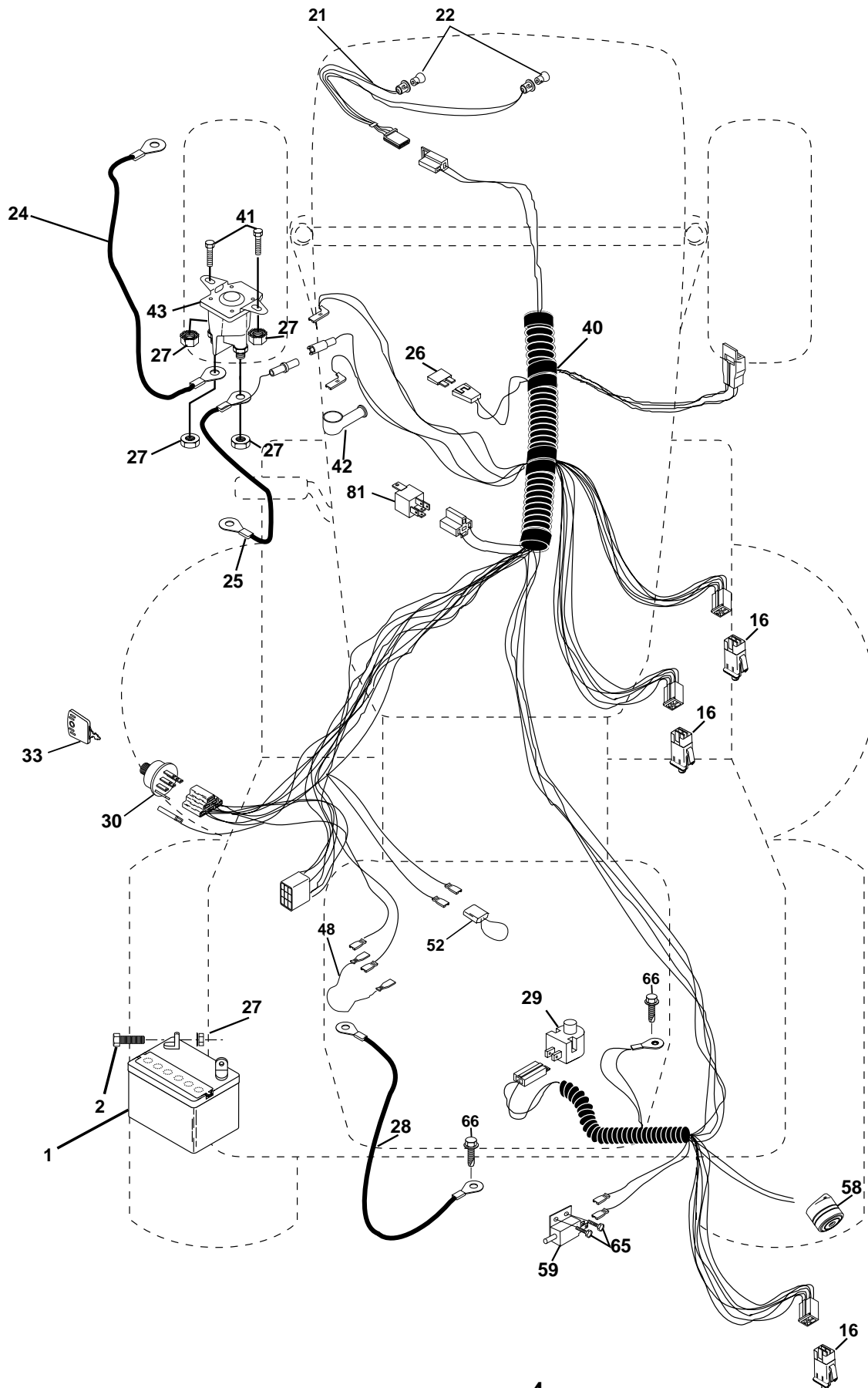
RELAY



REPAIR PARTS

TRACTOR- -MODEL NO. RER12536E

ELECTRICAL



REPAIR PARTS

TRACTOR- -MODEL NO. RER12536E

ELECTRICAL

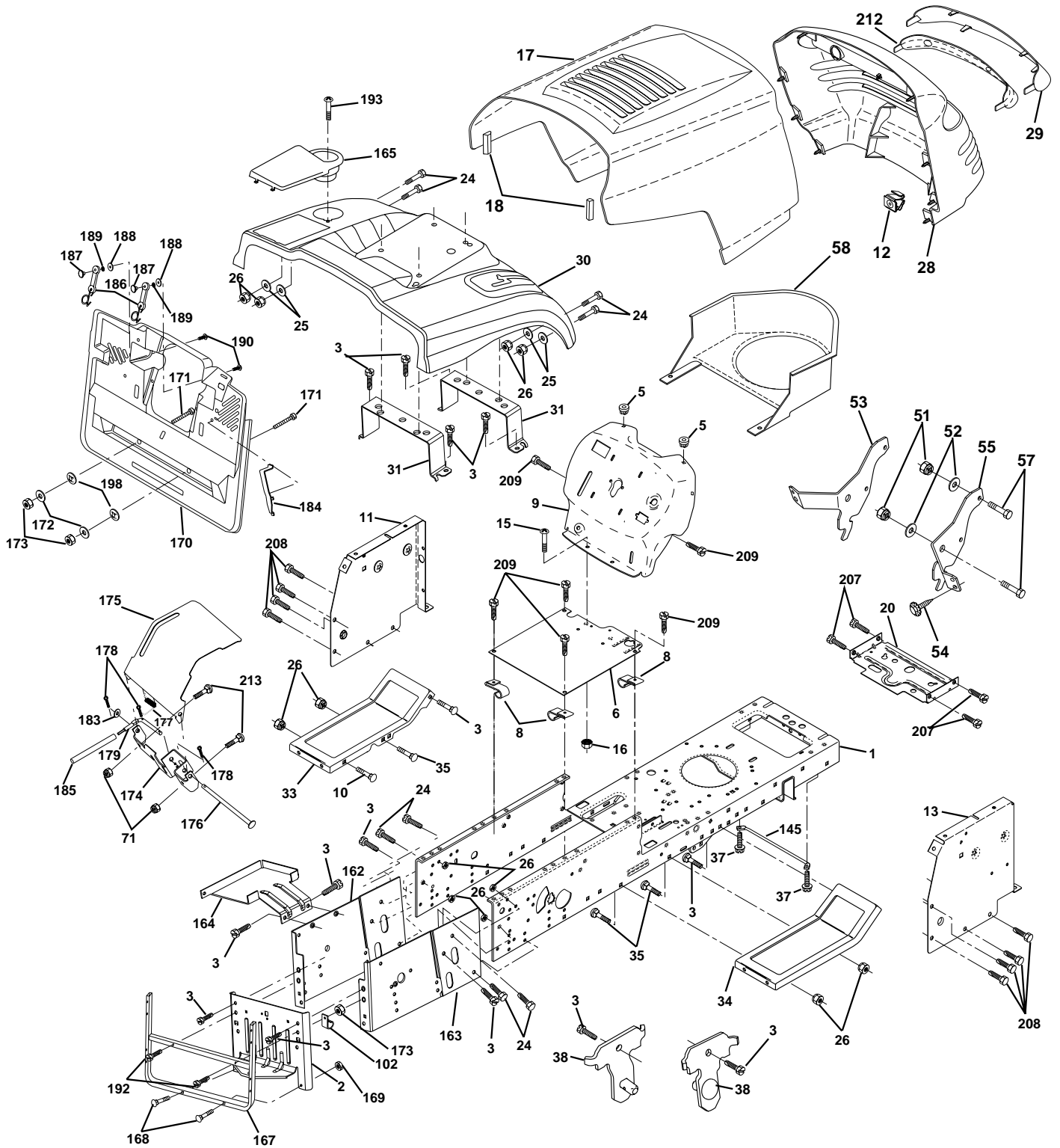
KEY NO.	PART NO.	DESCRIPTION
1	144925	Battery 12 Volt 25 AMP Wet
2	74760412	Bolt Hex Hd 1/4-20 Unc X 3/4
16	153664	Switch Interlock Push-In
21	166181	Harness Asm Light W/4152J
22	4152J	Bulb Light #1156
24	4799J	Cable Battery 6 Ga 11" Red
25	165987	Cable Battery Crd 56" Red
26	175158	Fuse
27	73510400	Nut Keps Hex 1/4-20 Unc
28	127725X	Cable Ground 6Ga 18" Black
29	160784	Switch Plunger Normal Op Olive
30	175566	Switch Ignition
33	140401	Key Ign Molded
40	170164	Harness Ign Crd Noram
41	71110408	Bolt Flk Fin Hex 1/4-20 Unc X 1/2
42	131563	Cover Terminal Red
43	175141	Solenoid
48	140844	Adapter Ammeter Rectangular
52	141940	Protection Wire Loop
58	169419	Buzzer Crd
59	166299	Switch FBI CRD
65	17211008	Screw Slftp #10-16 x 1/2 Ty-Ab
66	17490608	Screw Thdrol 3/8-16 x 1/2 Ty-Tt
81	109748X	Relay Asm

NOTE: All component dimensions given in U.S. inches.
1 inch = 25.4 mm.

REPAIR PARTS

TRACTOR- -MODEL NO. RER12536E

CHASSIS AND ENCLOSURES



REPAIR PARTS

TRACTOR- -MODEL NO. RER12536E

CHASSIS AND ENCLOSURES

KEY NO.	PART NO.	DESCRIPTION	KEY NO.	PART NO.	DESCRIPTION
1	169831	Chassis Stamping	145	156524	Rod Pivot Chassis/Hood
2	165606	Drawbar	162	170256	Bracket Exten Chassis Lh CRD
3	17060612	Screw 3/8-16 x 3/4	163	1757700	Bracket Exten Chassis Rh CRD
5	155272	Bumper Hood/Dash	164	165605	Support Battery CRD
6	155923	Saddle	165	165742X428	Cover Battery CRD Lt
8	126471X	Clip Insulator 13/32 Mtg. Hole	167	165779	Support Asm. Backplate WLDMNT
9	168347X01	Dash	168	72050412	Bolt, RDHD SHT NK 1/4-20 x 1-1/2
10	72140608	Bolt, Carriage 3/8-16 x 3/4	169	123976X	Nut, Lock 1/4 LGE FLG Gr. 5 Zinc
11	155927	Panel, Dash, L.H.	170	175264	Backplate Asm CRD
12	145660	Clip Tinnerman Grille P/L	171	72140620	Bolt Rdhd Sqnk 3/8-16 x 2-1/2
13	172107X010	Panel, Asm. Dash R.H.	172	19132016	Washer 13/32 x 1-1/4 x 16 Ga.
15	74180512	Screw, Machine, Truss Head 5/16-18 UNC x 3/4	173	73510600	Nut, Keps Hex 3/8-16 UNC
16	73510500	Nut	174	165939	Bracket Switch FBI CRD
17	159639X505	Hood Assembly	175	166212	Guard Door Rear CRD
18	126938X	Bumper Hood	176	128600	Pin Hinge Pivot
20	156437	Plate Mtg. Battery/Fuel Tank	177	132796	Spring Bagger Top LH Black
24	74780616	Bolt	178	76020312	Pin Cotter 3/32 x 3/4 Cad Zinc
25	19131312	Washer 13/32 x 13/16 x 12 Gauge	179	165942	Rod Pivot FBI CRD
26	73800600	Nut	183	19131316	Washer 13/32 x 13/16 x 16 Ga.
28	140434	Grille/Lens Asm	184	174662	Bracket Actuator Bagger CRD
29	140273X599	Lens, Grille	185	165940	Tube Lever Switch FBI CRD
30	165714X505	Fender	186	160793	Latch Asm Mulch/Bagger
31	165156	Bracket, Fender Support	187	2029J	Nut Weld
33	105476X505	Footrest, L.H.	188	19061216	Washer #10
34	105475X505	Footrest, R.H.	189	10071000	Washer Lock #10
35	72110606	Bolt	190	71081010	Screw Pan Hd Phillip 10-24 x 5/8
37	17490508	Screw Thdrol 5/16-18 x 1/2 TYT	192	17670624	Screw 3/8-16 x 1-1/2
38	169834	Bracket Asm Pivot Mower Rear	193	17070412	Screw Truss 1/4-20 x 3/4 Tap/R
51	73800400	Nut Lock w/Insert 1/4-20 UNC	198	168937	Nut, Push
52	19091416	Washer 9/32 x 7/8 x 16 Ga.	207	17670508	Screw Thdrol 5/16-18 x 1/2
53	144697	Bracket Grille LH	208	17670608	Screw Thdrol 3/8-16 x 1/2
54	161464	Screw Hex Wshd 8-18 x 7/8	209	17000612	Screw Hexwsh Thdr 3/8-16 x 3/4
55	144696	Bracket Grille RH	212	156229	Insert Lens Reflective
57	74780412	Bolt, Fin Hex 1/4-20 UNC x .75	213	72110406	Bolt Carr.
58	150127	Duct Air Engine PL/LT	--	5479J	Plug, Button
71	73680400	Nut Crownlock 1/4-20 Unc			
102	2751R	Clip Line Fuel 13/32 Mtg. Hole			

NOTE: All component dimensions given in U.S. inches.
1 inch = 25.4 mm.

REPAIR PARTS

TRACTOR- -MODEL NO. RER12536E

DRIVE

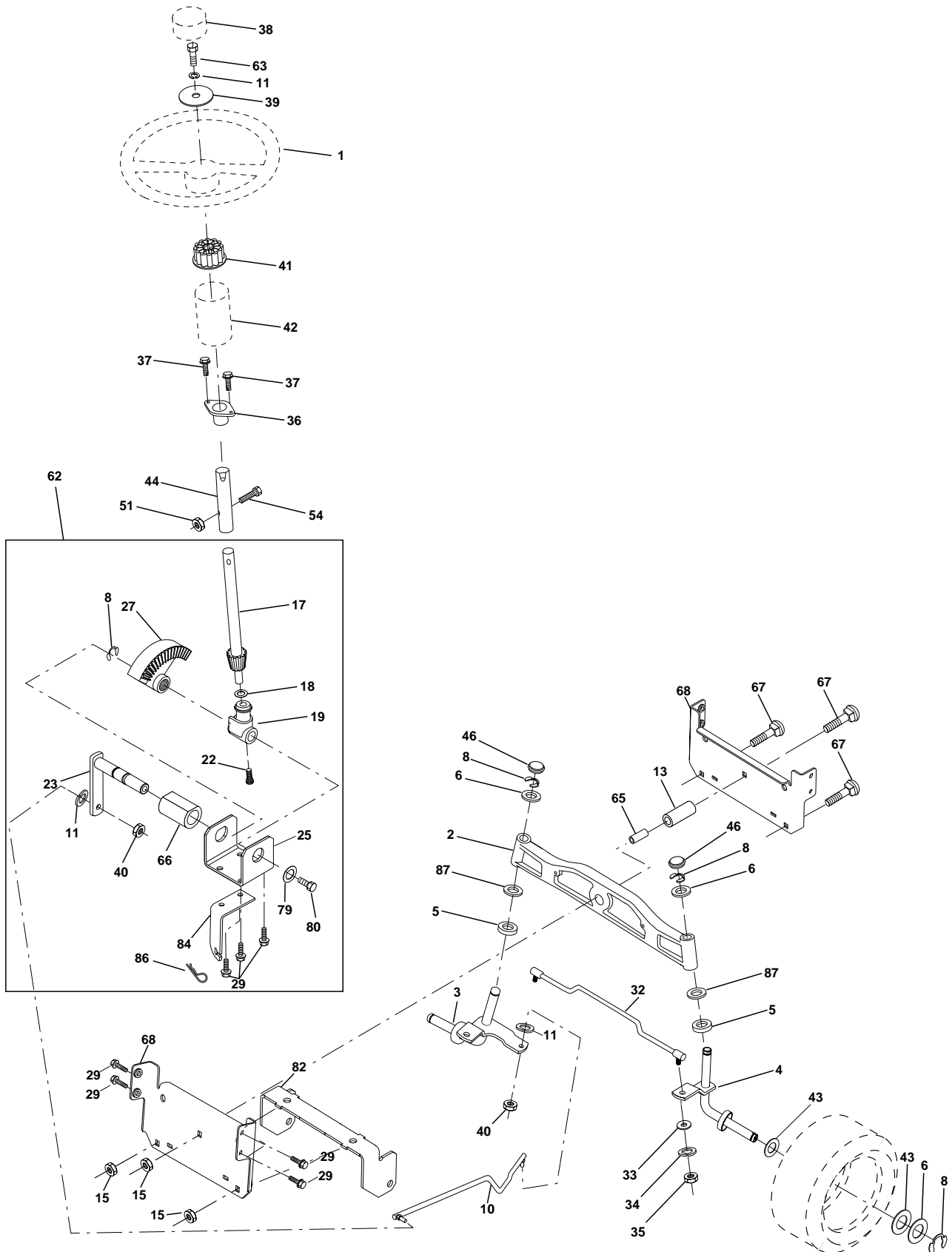
KEY NO.	PART NO.	DESCRIPTION	KEY NO.	PART NO.	DESCRIPTION
1	-----	Transaxle Peerless 206-546 (Order parts from transaxle manufacturer)	62	8883R	Cover, Pedal
2	146682	Spring Brake Return	65	10040700	Washer
3	165999	Pulley Transaxle	66	154778	Keeper, Belt Engine F-Proof
4	12000028	Ring Retainer #5100-62	74	137057	Spacer Axle
5	121520X	Strap torque 30 degrees	75	121749X	Washer 25/32 x 1-1/4 x 16 Ga.
8	165619	Rod Shift Fender Adjust Lt	76	12000001	Ring, E
9	170163	Clutch Asm Noram	77	123583X	Key, Square
10	76020416	Pin, Cotter 1/8 x 1	78	121748X	Washer 25/32 x 1-5/8 x 16 Ga.
11	105701X	Washer Plate Shf .3888 sq hole	79	2228M	Key Woodruff
13	74550412	Bolt 1/4-28 Unf Gr 8 w/patch	80	145090	Arm Shift PMST 20" Tires
14	10040400	Washer, Lock Hvy Helical	82	123782X	Spring, Torsion
16	73800500	Nut, Lock Hex w/Ins 5/16-18 UNC	83	19171216	Washer 17/32 x 3/4 x 16 Ga.
18	74780616	Bolt Hex 3/8-16 UNC x 1 Gr.5	84	165621	Link Shift CRD Pmst 18" Tires
19	73800600	Nut, Lock Hex w/Wsh 3/8-16 UNC	96	4497H	Spring, Retainer 1"
21	106933X	Knob Rd 1/2-13 Plstc Thds Blk	112	19091210	Washer 9/32 x 3/4 x 10 Ga.
22	165811	Rod, Brake CRD	145	74490540	Bolt Hex FGHD 5/16-18 x Gr 5
23	170017	Bracket Pnt Clutch Noram	150	165850	Bushing, Bellcrank Grnd Dr
24	73350600	Nut	151	19133210	Washer 13/32 x 2 x 10 Ga.
25	106888X	Spring, Rod, Brake	153	74760516	Bolt Hex Hd 5/16-18 Unc x 1
26	19131316	Washer 13/32 x 13/16 x 16 Ga.	156	166002	Washer Srrd 5/16 ID x 1.125
27	76020412	Pin, Cotter 1/8 x 3/4	158	165589	Bracket Shift Mount
28	145204	Rod, Parking Brake	159	165494	Hub Tapered Flange Shift Lt
29	71673	Cap, Parking Brake	160	19292016	Washer 25/32 x 1-1/4 x 16 Ga.
30	174973	Bracket, Mfg. Transaxle	161	72140406	Bolt Rdhd Sqnk 1/4-20 x 3/4 Gr 5
32	74760512	Bolt Hex 5/16-18 UNC x 3/4	162	73680400	Nut Crownlock 1/4-20 Unc
33	72140506	Bolt Rdhd Sqnk 5/16-18 Unc x 3/4	163	74780416	Bolt Hex Fin 1/4-20 Unc x 1 Gr 5
34	165496	Shaft, Asm Pedal Foot CRD	164	19091010	Washer 5/8 x .281 x 10 Ga.
35	120183X	Bearing, Nylon	165	165623	Bracket Pivot Lever
36	19211616	Washer 21/32 x 1 x 16 Ga.	166	166880	Screw 5/16-18 x 5/8
37	1572H	Pin, Roll 3/16 x 1"	167	165588	Bracket Support Shift CRD
38	165936	Pulley, Flat	168	165492	Bolt Shoulder 5/16-18 x .561
39	74760644	Bolt Fin Hex 3/8-16 Unc x 2-3/4	171	17490608	Screw Thdrol 3/8-16 x 1/2 Ty-Tt
40	4470J	Spacer, Split 395 x 59 Bzp	172	165635	Shaft Asm Shift Front CRD PMST
42	19131312	Washer 13/32 x 13/16 x 12 Ga.	177	165932	Keeper Flat Idler 3.06" CRD
47	127783	Pulley, Idler, V Groove Plstic	178	165933	Keeper Belt Idler 1.88" CRD
48	154407	Bellcrank Clutch Grnd Drv	179	120958X	Washer Sintered
49	123205X	Retainer, Belt Style Spring	180	165630	Pulley Flat Idler
50	74760624	Bolt Hex Hd 3/8-16 UNC x 1-1/2	181	165797	Bracket Idler Ground Drive CRD
51	73680600	Nut, Crownlock 3/8-16 UNC	182	165634	Keeper Belt 2.5" Od V-Idler CRD
52	73680500	Nut Crownlock 5/16-18	183	165626	Pulley V-Idler 2.50" Od CRD
53	105710X	Link, Clutch 7.66	184	17490644	Screw Hexwsh Thdrol 3/8-16 x 2-3/4
55	105709X	Spring, Return, Clutch	187	17490620	Screw Thdrol 3/8-16 x 1-1/4
56	74760620	Bolt, Hex 3/8-16 UNC x 1-1/4	197	169613	Nyliner Snap-In 5/8" ID
57	165631	V-Belt Kev PMST CRD	202	72110612	Bolt Carr Sh 3/8-16 x 1-1/2 Gr. 5
61	17060612	Screw 3/8-16 x 3/4	203	71170780	Bracket Pnt Clutch Noram

NOTE: All component dimensions given in U.S. inches
1 inch = 25.4 mm

REPAIR PARTS

TRACTOR- -MODEL NO. RER12536E

STEERING ASSEMBLY



REPAIR PARTS

TRACTOR- -MODEL NO. RER12536E

STEERING ASSEMBLY

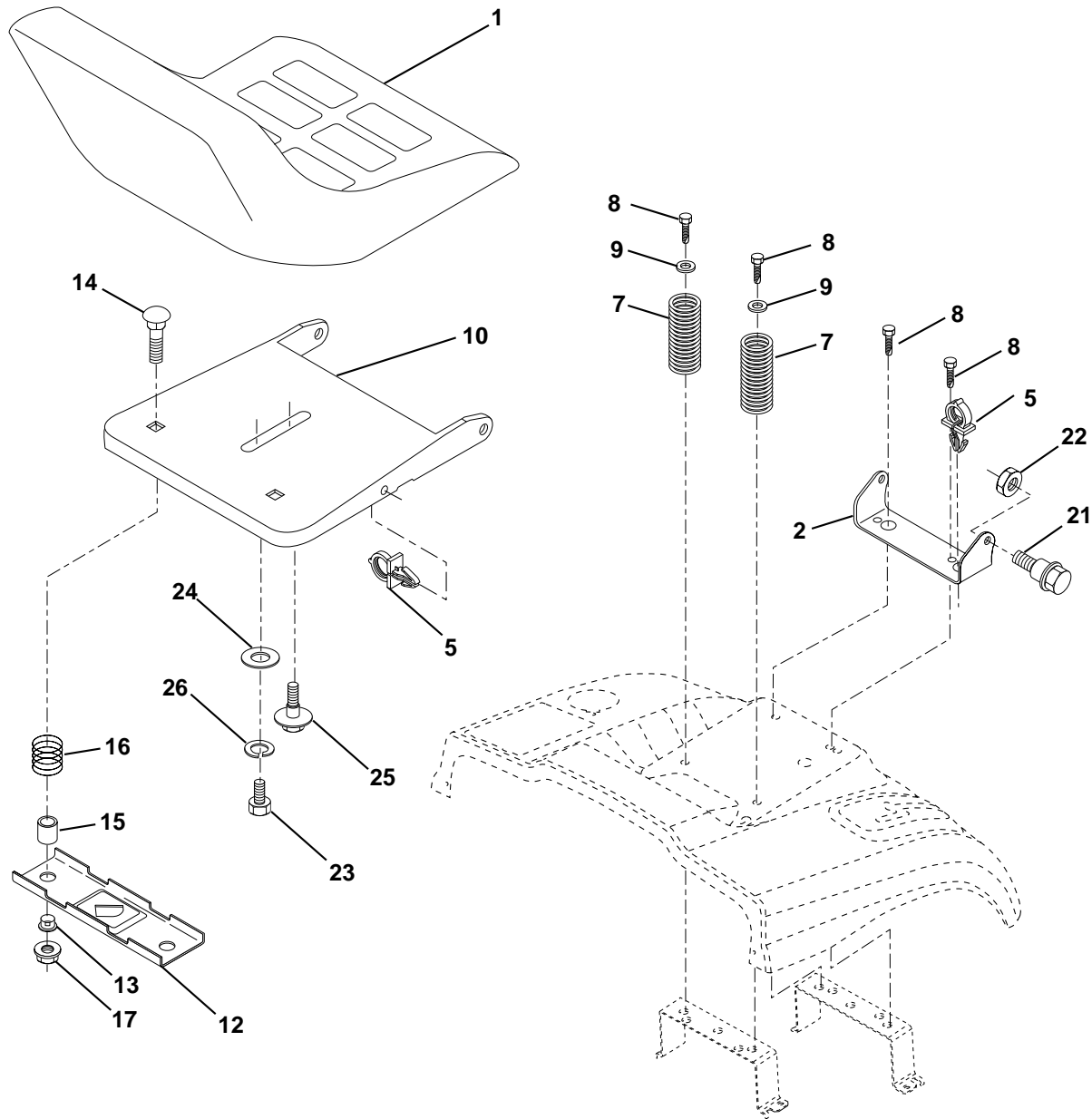
KEY NO.	PART NO.	DESCRIPTION
1	133741X428	Steering Wheel
2	172393	Cast Lt Machined
3	169840	Spindle Assembly, L.H.
4	169839	Spindle Assembly, R.H.
5	6266H	Washer, Thrust .75 x 1.230
6	121748X	Washer 25/32 x 1-5/8 x 16 Gauge
8	12000029	Ring, Klip
10	169832	Link, Drag
11	10040600	Washer, Lock
13	136518	Spacer Brg Axle Front
15	145212	Nut, Hex Flange Lock
17	156546	Shaft Assembly, Steering
18	57079	Washer, Thrust .515 x .750 x .033
19	160395	Support, Shaft
22	165857	Screw Hex Wshhd Torx
23	165851	Pittman Shaft Assembly
25	154406	Bracket, Steering
27	136874	Gear, Sector
29	17060612	Screw 3/8-16 x 3/4
32	170162	Rod, Tie
33	19111216	Washer 11/32 x 3/4 x 16 Ga
34	10040500	Washer Lock Hvy Hlcl Spr 5/16
35	73540500	Crownlock 5/16-24 Unf
36	155099	Bushing, Steering
37	152927	Screw TT #10-32 x 5 x 3/8 Flange
38	133742X428	Cap Wheel Steering
39	19133812	Washer 13/32 x 2-3/8 x 12 Gauge
40	7810H	Nut Lock Center 3/8-24 Unf
41	100711L	Adaptor, Steering Wheel
42	145054X428	Boot, Steering Dash P/L Mtl
43	121749X	Washer 25/32 x 1-1/4 x 16 Gauge
44	153720	Extension Steering Non-Adjust
46	121232X	Cap, Spindle
51	73800500	Nut Lock Hx W/Ins 5/16-18 UNC
54	74780520	Bolt Fin Hex 5/16-18 UNC x 1-1/4
62	167914	Kit, Steering Assembly, Service
63	74780616	Bolt Fin Hex 3/8-16 unc. x 1 Gr. 5
65	160367	Spacer Brace Axle
66	154404	Bearing Arm Pittman
67	72140618	Bolt Rdhd Sqnk 3/8-16unc x 2-1/4
68	169827	Brace Axle
79	19132012	Washer 13/32 x 1-1/4 x 12 Ga
80	74950612	Bolt Hex Nylon 3/8-16 x 3/4
82	169835	Bracket Susp Chassis Front 15"
84	170016	Bracket Cable Clutch Chassis
86	165898	Retainer Spring Yellow
87	173966	Washer Flat .781 x 1-1/2 x .14

NOTE: All component dimensions given in U.S. inches.
1 inch = 25.4 mm.

REPAIR PARTS

TRACTOR- -MODEL NO. RER12536E

SEAT ASSEMBLY



KEY NO.	PART NO.	DESCRIPTION
1	127427	Seat
2	140551	Bracket Pnt Pivot Seat (blk)
5	145006	Clip Push In Hinged
7	124181X	Spring Seat Cprsn 2 250 Blk Zi
8	17000616	Screw 3/8-16 X 1-1/2
9	19131614	Washer 13/32 X 1 X 14 Ga
10	174894	Pan Pnt Seat (blk)
12	121246X	Bracket Pnt Mounting Switch
13	121248X	Bushing Snap Blk Nyl 50 Id
14	72050412	Bolt Rdhd Sht Nk 1/4-20x1-1/2
15	134300	Spacer Split

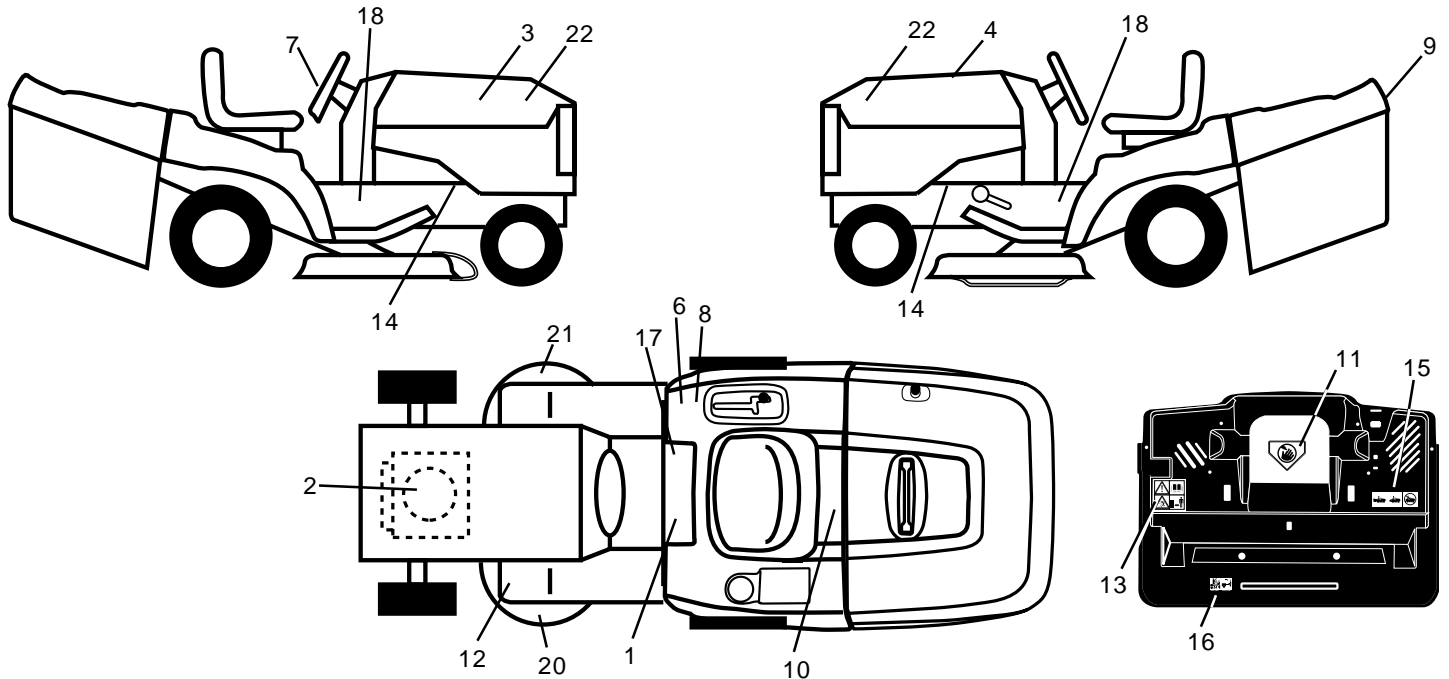
KEY NO.	PART NO.	DESCRIPTION
16	121250X	Spring Cprsn Plate SW 1.310 Ga
17	123976X	Nut Lock 1/4 Lge Flg Gr 5 Zinc
21	171852	Bolt Shoulder 5/16-18 Unc-2A
22	73800500	Nut Hex Lock w/Ins 5/16-18
23	71110814	Bolt Hex Black
24	19171912	Washer 17/32 X 1-3/16 X 12 Ga.
25	127018X	Bolt Shoulder 5/16-18 X 62
26	10040800	Washer Lock Hvy Hlcl Spr 1/2

NOTE: All component dimensions given in U.S. inches.
1 inch = 25.4 mm

REPAIR PARTS

TRACTOR- -MODEL NO. RER12536E

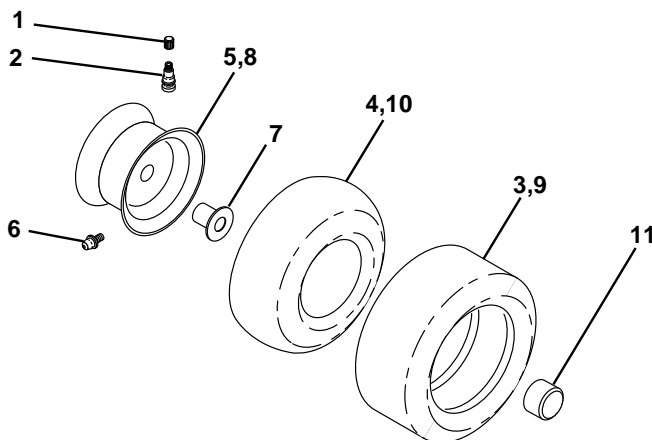
DECALS



KEY NO.	PART NO.	DESCRIPTION
1	145498	Decal Read Owner's Manual Sym
2	170839	Decal Hp Engine
3	153266	Decal Hood Rh
4	153267	Decal Hood Lh
6	126187X	Decal 100 DBA
7	127075	Decal Ins Strg Whl
8	145437	Decal Europe Stand Ce
9	132628	Decal Fender Logo
10	145005	Decal Bat Dan/Poi P/L Sym Wpn
11	145494	Decal Mower Cut Finger Symbol
12	159737	Decal Brake/Clutch Symbol Lt
13	166959	Decal Warn Back Plate CRD

KEY NO.	PART NO.	DESCRIPTION
14	159736	Decal Chassis Hot Muffler
15	166961	Decal Oper Bag Presence CRD
16	162598	Decal Drawbar Load Limit
17	140837	Decal Saddle Brake Parking
18	167326	Decal Chassis
20	135013	Decal Enviro Deck
21	166286	Decal Deck Sch 92 CRD
22	135866	Decal Hood HP
--	138311	Decal Lift Handle
--	176905	Manual Operator's (Euro)
--	176906	Manual Operator's (Scan)
--	176907	Manual Parts

WHEELS & TIRES



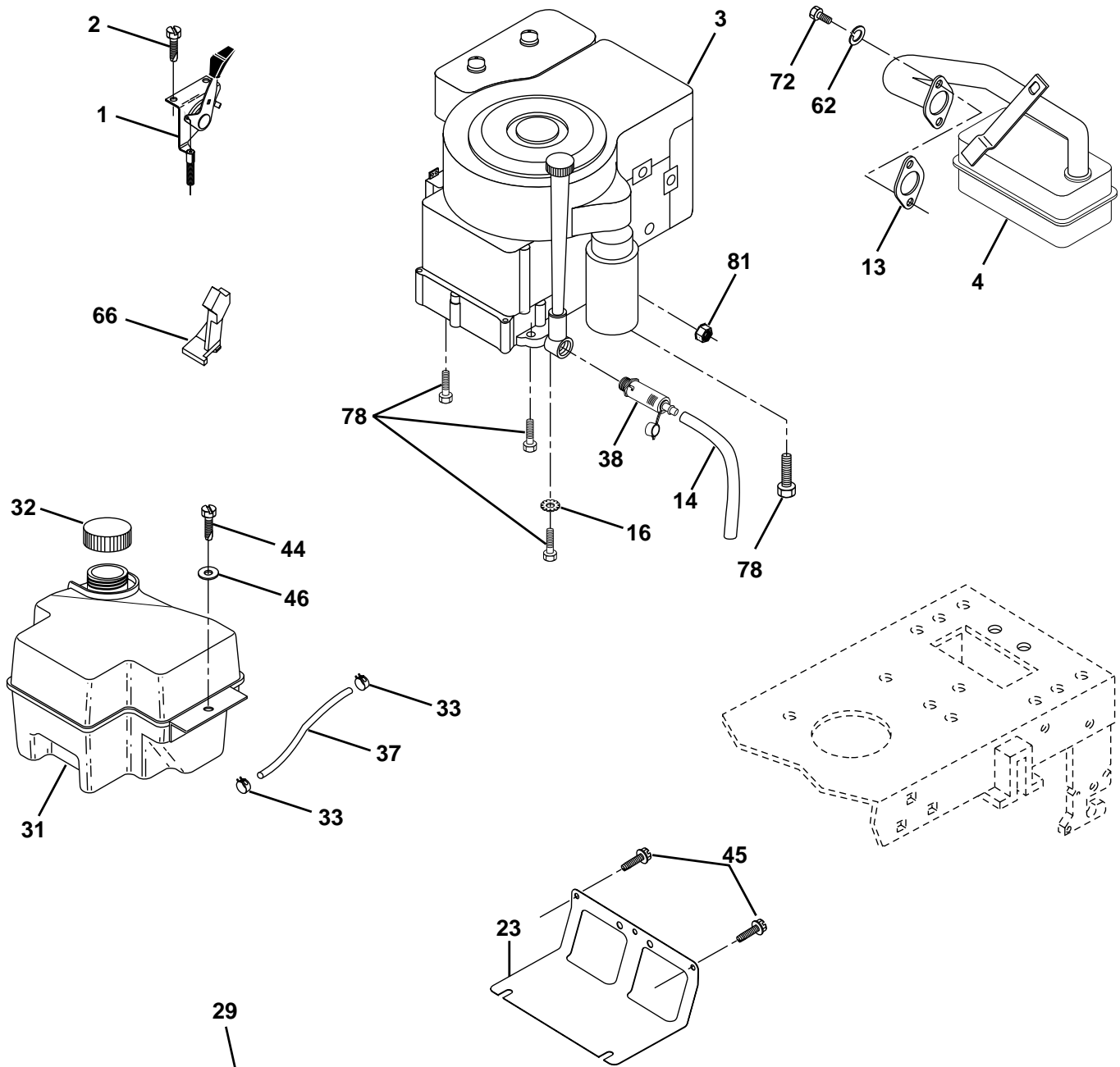
KEY NO.	PART NO.	DESCRIPTION
1	59192	Cap Value Tire
2	65139	Stem Value
3	106222X	Tire F Ts 15 X 6 0 - 6 Service
4	59904	Tube Inner Front #35060
5	106732X427	Rim Asm 6"front Service
6	278H	Fitting Grease
7	9040H	Bearing Flange
8	106108X427	Rim Asm 8"rear Service
9	124635X	Tire R Ts 18 x 8.5-8 Service
10	7152J	Tube Rear 9 5 X 8 Service
11	104757X428	Cap Axle Blk 1 50 X 1 00
--	144334	Sealant, Tire (10 oz. tube)

NOTE: All component dimensions given in U.S. inches
1 inch = 25.4 mm

REPAIR PARTS

TRACTOR- -MODEL NO. RER12536E

ENGINE



OPTIONAL EQUIPMENT
Spark Arrester

REPAIR PARTS

TRACTOR- -MODEL NO. RER12536E

ENGINE

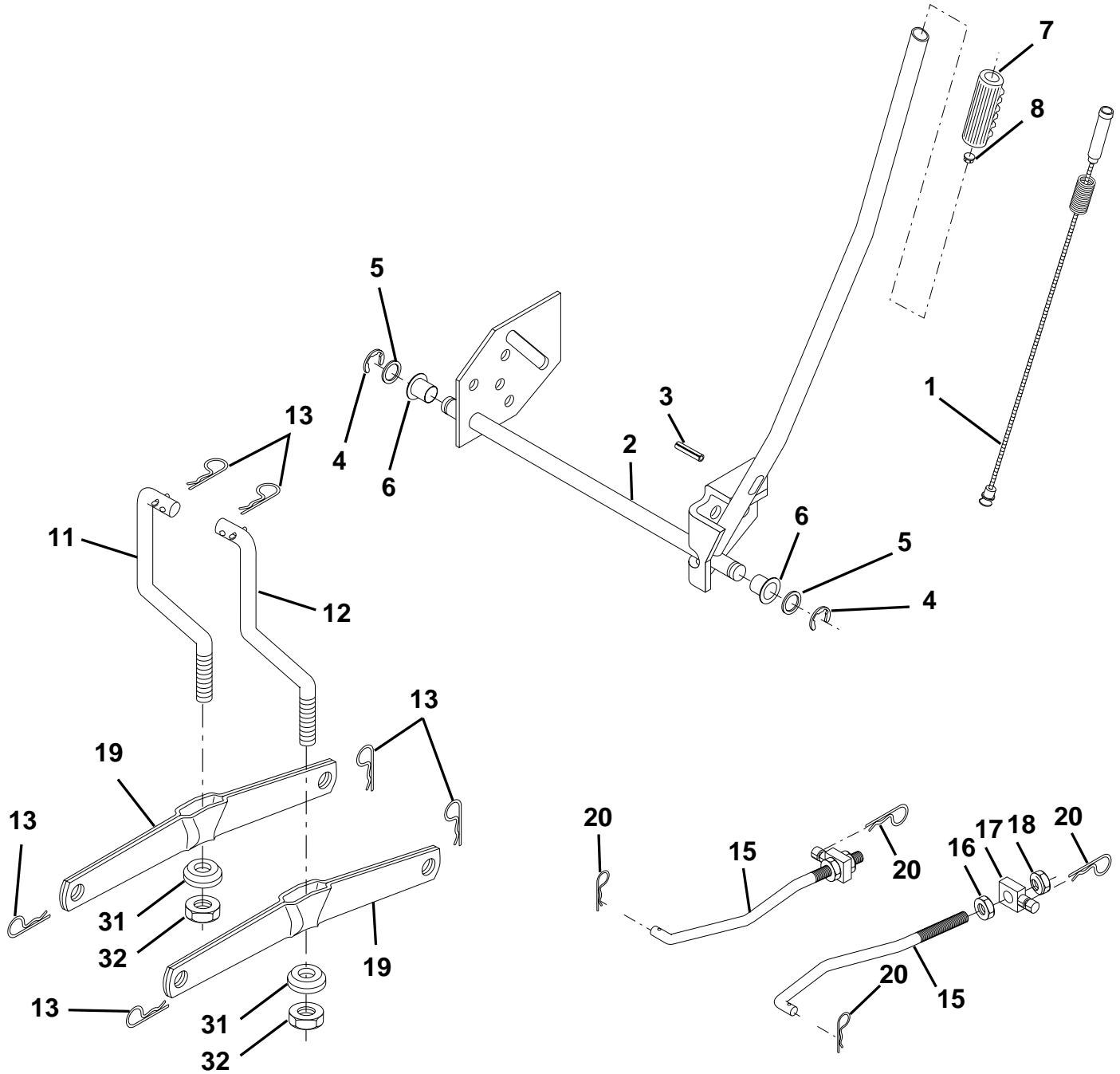
KEY NO.	PART NO.	DESCRIPTION
1	170865	Control Throt /Ch
2	17720410	Screw Hex Thd Cut 1/4-20x5/8 T
3	-----	Engine Briggs Model 289707 (Order Parts from Engine Manufacturer)
4	137348	Muffler Exhaust B&S Lt
13	165291	Gasket 1 313 Id Tin Plated
14	148456	Tube Drain Oil Easy
16	11050600	Washer Lock Ext Tooth 3/8
23	169837	Shield Browning/Debris Guard
29	137180	Arrestor Spark
31	174642	Tank Fuel 2.00 Fr
32	140527	Cap Asm Fule Top Vent N/Lany
33	123487X	Clamp Hose Blk
37	137040	Line Fuel 20"
38	148315	Plug Drain Oil Easy
44	17670412	Screw Hexwsh Thdrol 1/4-20 x 3/4
45	17000612	Screw Hexwsh Thdr 3/8-16 x 3/4
46	19091416	Washer 9/32 X 7/8 X 16ga
62	10040500	Washer Lock Hvy Hlcl Spr 5/16
66	127951	Stop Throttle 3000 Rpm
72	71070512	Screw Hexhd Cap 5/16-18 x 3/4
78	17060620	Screw 3/8-16x1-1/4
81	73510400	Nut Keps Hex 1/4-20 Unc

NOTE: All component dimensions given in U.S. inches
1 inch = 25.4 mm

REPAIR PARTS

TRACTOR- -MODEL NO. RER12536E

MOWER LIFT



REPAIR PARTS

TRACTOR- -MODEL NO. RER12536E

MOWER LIFT

KEY NO.	PART NO.	DESCRIPTION
1	159460	Washer Asm Inner Spring W/Plunger
2	159471	Shaft Asm. Lift
3	105767X	Pin Groove
4	12000002	E Ring #5133-62
5	19211621	Washer 21/32 x 1 x 21 Ga.
6	120183X	Bearing Nylon
7	109413X	Grip Handle
8	124526X	Button Plunger Black
11	165829	Link Asm Lift L.H.
12	165831	Link Asm Lift R.H.
13	4939M	Retainer Spring
15	173288	Link Front
16	73350800	Nut Jam Hex 1/2-13 Unc
17	130171	Trunnion Blk Zinc
18	73800800	Nut Lock w/Wsh 1/2-13 Unc
19	139868	Arm Suspension Mower
20	163552	Retainer Spring
31	169865	Bearing, Pvt. Lift
32	73540600	Nut Crownlock 3/8-24

NOTE: All component dimensions given in U.S. inches
1 inch = 25.4 mm

REPAIR PARTS

TRACTOR- -MODEL NO. RER12536E

MOWER

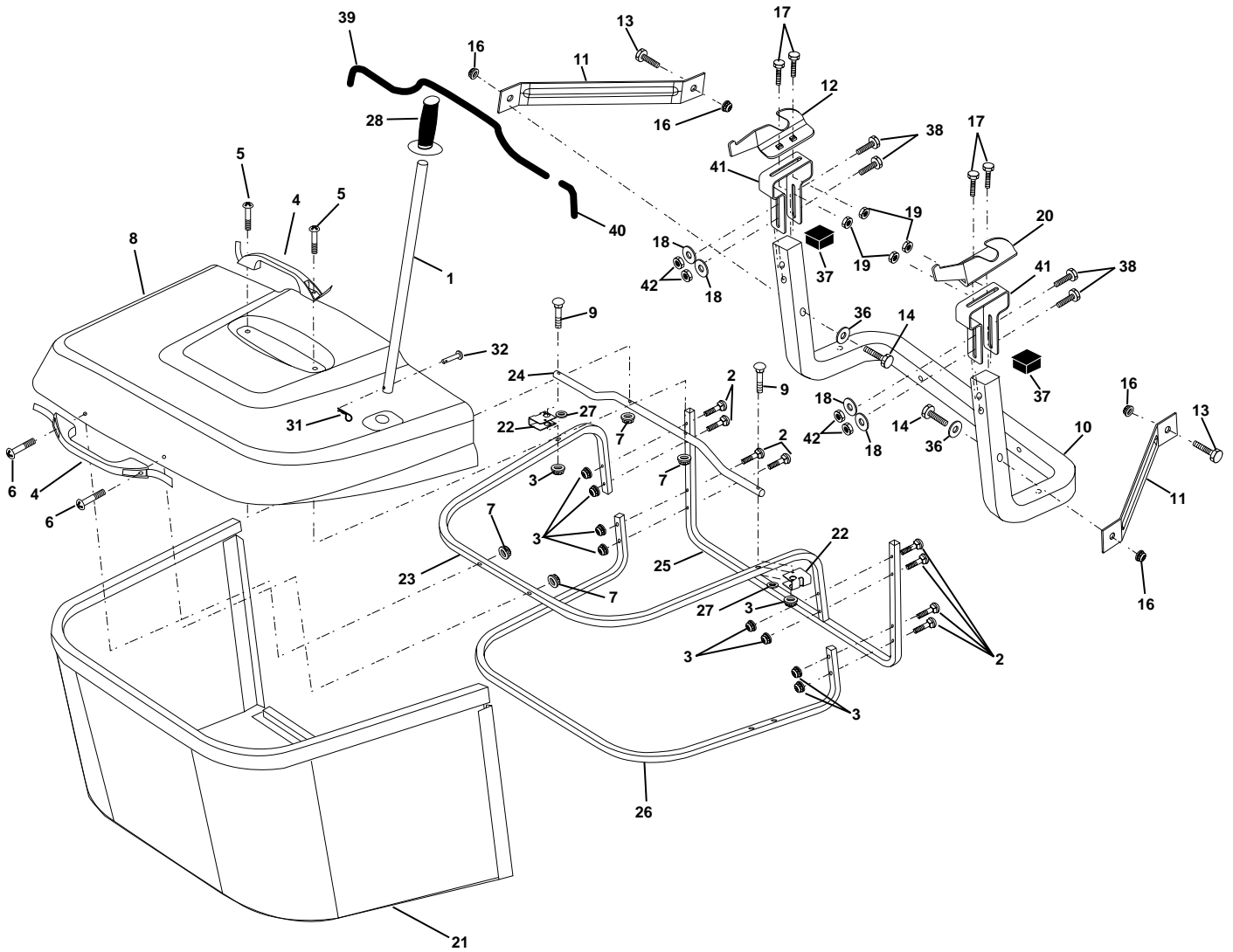
KEY NO.	PART NO.	DESCRIPTION	KEY NO.	PART NO.	DESCRIPTION
1	165552	Housing Asm. Mower 92 CRD	37	19131316	Washer 11/32 x 13/16 x 16 Ga
2	72140506	Bolt Rdhd Sqnk 5/16-18 Unc x 3/4	40	73680600	Nut Crownlock 3/8-16 Unc
3	165569	Bracket Asm. S-Bar Chass 92 CRD	44	165724	Cover Mandrel Lh 92 CRD
4	165558	Bracket Bar Sway Deck 92 CRD	45	165556	Cover Mandrel Rh 92 CRD
5	4939M	Retainer Spring	46	137729	Screw Thd Roll 1/4-20 x 5/8
6	165557	Bar Sway 92 CRD	55	165445	Arm Idler 92 CRD
8	850857	Bolt 3/8-24 x 1.25 Gr8 Patched	56	165723	Spacer Retainer Mower
9	10030600	Washer Lock Hvy 3/8 Unplated	61	165945	Spring Tension Belt
10	140296	Washer Hard Blade Mower vented	67	106932X	Knob Rd 3/8-16 Plstdc Thds Blk
11	170037	Blade 3-1 Lh 92 CRD	68	165555	Hex-Belt 92 Mower 105AA
13	137645	Shaft Asm. W/Lower Bearing	69	165482	Shaft Asm W/Lwr Brg Rh Thd CRD
14	128774	Housing Mandrel Vented (Machd)	84	156085	Keeper Belt Idler
15	110485X	Bearing Ball Mandrel	116	13764	Bolt Shoulder
16	170038	Blade 3-1 Rh 92 CRD	117	133957	Wheel Gage Donut Wide
17	72140610	Bolt Carriage 3/8-16 x 1-1/4	118	73930600	Nut Centerlock 3/8-16 Unc
18	72110608	Bolt Rdhd Sqnk 3/8-16 x 1 Gr5	119	19121414	Washer 3/8 x 7/8 x 14 Ga.
19	132827	Bolt Shoulder 5/16-18 Thd Form	124	72110612	Bolt Carr Sh 3/8-16 x 1-1/2 Gr5
20	165484	Bolt 3/8-24 x 1.25 Gr8 Ptch Lhthd	130	72110506	Bolt Rdhdsqnk 5/16-18 Unc x 3/4
21	73680500	Nut Crown Lock 5/16-18	131	165661	Chute Bagger CRD 92cm
22	165243	Bracket Idler Sprt RR 92 CRD	151	169670	Bracket Clutch Cable
23	165446	Bracket Idler Sprt RF 92 CRD	152	176074	Cable Clutch CRD Service
24	165242	Bracket Suspension LF 92 CRD	153	169674	Washer Flat 3/8" Type B
25	165244	Bracket Suspension RF 92 CRD	154	169675	Spring Retainer
26	165237	Brace Support Susp Frt CRD	155	169671	Spring Retention Lvr Clutch Cable
27	165568	Bracket Asm. Susp RR 92 CRD	156	169672	Spacer Clutch Cable
28	165567	Bracket Asm. Susp LR 92 CRD	157	169669	Rod Clutch Cable 3/8"
30	157722	Screw Thd Rolling Washer Head	158	17720410	Screw Hex Thd Cut 1/4-20 x 5/8
31	129963	Washer Spacer Mower Vented	--	130794	Mandrel Asm Service
32	153531	Mandrel Pulleys 36 & 46	--	165579	Mandrel Asm CRD Lh Threads SVC
33	137266	Nut Flg Top Lock Cntr B 9/16	--	173549	Deck Mower Complete
34	165239	Bracket Gauge Wheel Lf 92 CRD			
35	165238	Bracket Gauge Wheel Rf 92 CRD			
36	146763	Pulley Idler V-Groove Dim 4.25			

NOTE: All component dimensions given in U.S. inches
1 inch = 25.4 mm

REPAIR PARTS

TRACTOR- -MODEL NO. RER12536E

BAGGER



REPAIR PARTS

TRACTOR- -MODEL NO. RER12536E

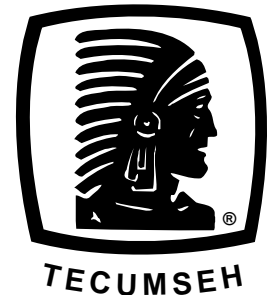
BAGGER

KEY NO.	PART NO.	DESCRIPTION
1	170690	Tube Handle Bagger CRD
2	72140416	Bolt Carriage 1/4-20 x 2.0 Gr.5
3	123976X	Nut Lock 1/4 Lge Flg Gr. 5 Zinc
4	169916	Handle Bagger w/Lvrs Blk CRD
5	74981024	Screw Pan Head #10-24 x 1.50 Blk
6	74981032	Screw Pan Hd
7	73401000	Nut Wiz Lock Hex Serr/Hd 10-24
8	165715X505	Cover Bagger Plastic CRD
9	72140418	Bolt Carriage 1/4-20 x 2.25d x Gr.5
10	169688	Tube Support Bagger CRD
11	165719	Bracket Support Upper Bag CRD
12	169685	Bracket Horizon Adj Bggr Lh CRD
13	72110606	Bolt Rdhd Sht Sqnk 3/8-16 x 3/4
14	74520640	Bolt Hex 3/8-16 x 2-1/2 Gr.5
16	73900600	Nut Lock Flg 3/8-16 Unc
17	72140506	Bolt Rdhd Sht Sqnk 5/16 -18 Unc x 3/4
18	19111216	Washer 11/32 x 3/4 x 16 Ga.
19	73900500	Nut Lock Hex Flange 5/16-18
20	169684	Bracket Horiz Adj Bggr RH CRD
21	165780	Bag Asm CRD
22	165781	Bracket Side Bagger CRD
23	165782	Tube Upper Bagger CRD
24	165783	Tube Pivot Bagger CRD
25	165784	Tube Front Bagger CRD
26	165785	Tube Lower Bagger CRD
27	169692	Bushing Snap Bagger CRD
28	170696	Grip Handle Black
31	4497H	Retainer Spring 1" Zinc/Cad
32	126875X	Rivet Rd Hd Drilled 3/8 Dia
36	19132016	Washer 13/32 x 1-1/4 x 16 Ga.
37	175401	Plug Support Bagger CRD
38	72010520	Bolt 5/16-18 x 2-1/2
39	169999	Seal 26" (Long)
40	170000	Seal 7" (Short)
41	169683	Bracket Vert Adj Bagger CRD
42	73800500	Nut Lock Hx W/Ins 5/16-18 Unc

NOTE: All component dimensions given in U.S. inches
1 inch = 25.4 mm



SERVICE POLICY WARRANTY



Issued January 1980
Revised January 1991

LIMITED WARRANTIES FOR NEW PEERLESS GEAR POWER TRAIN COMPONENTS

A. Products Warranted

Peerless Gear and Machine Division of Tecumseh Products Company ("Tecumseh"), subject to the limitations contained below, will, at its option, repair or replace, without charge for parts or labor only, any part of a new Power Train Component (which as used herein means and includes the transaxle, gear box, transmission, differential and right angle drives, and any part of the Power Train Component), EXCEPT any new Power Train Component incorporated in equipment used for commercial or rental purposes, which is found upon examination by any Tecumseh Authorized Service Outlet or by Tecumseh's factory in Grafton, Wisconsin, to be DEFECTIVE IN MATERIAL AND/OR WORKMANSHIP if received by Tecumseh or a Tecumseh Authorized Service Outlet for such examination within TWO YEARS from the date of sale to the original consumer purchaser of Peerless Series 820, 900, 910, 915, 920, 930 transaxles and Series 1100 angle drive and ONE YEAR for all other Peerless products. New Power Train Components incorporated in equipment used for commercial purposes are warranted in the same manner and to the same extent EXCEPT such Power Train Components are warranted for NINETY (90) DAYS ONLY, and must be received by Tecumseh or by a Tecumseh Authorized Service Outlet for such examination within 90 days from the date of sale to the original purchaser. New Power Train Components Incorporated in equipment used for rental purposes are warranted in the same manner and to the same extent EXCEPT such Power Train Components are warranted for THIRTY (30) DAYS ONLY, and must be received by Tecumseh or a Tecumseh Authorized Service Outlet within 30 days from the date of sale to the original purchaser.

B. Products And Items Not Warranted

1. Alterations or Modifications of Power Train Components.
2. Accidents, Normal Maintenance, Failure to follow the Original Equipment Manufacturer's Manual.

This warranty covers only parts of new Power Train Components which are found upon examination to be defective in material or workmanship as delivered to the original purchaser. This warranty does not cover defects caused by depreciation or damage caused by normal wear, accidents, improper maintenance, improper use or abuse of the product, failure to follow the instructions contained in an Instruction Manual for the operation of the Power Train Component and parts. The cost of normal maintenance and replacement of service items which are not defective shall be paid for by the original purchaser.

C. Securing Warranty Service

Warranty service can be arranged for by contacting either a Tecumseh Authorized Service Outlet (any Tecumseh Registered Service Dealer, Tecumseh Authorized Service Distributor, or Tecumseh Central Warehouse Distributor) or by contacting Tecumseh, c/o Service Manager, Engine and Transmission Group Service Division, 900 North Street, Grafton, Wisconsin 53024. Warranty service can only be performed by a Tecumseh Authorized Service Outlet or by Tecumseh at its factory in Grafton, Wisconsin. At the time of requesting warranty service, evidence must be presented of the date of sale to the original purchaser. The purchaser shall pay any charges for making service calls and/or for transporting the product to and from the place where the inspection and/or warranty work is performed. The purchaser shall be responsible for any damage or loss incurred in connection with the transportation of Power Train Components and/or part(s) of the Power Train Components submitted for inspection and/or warranty work.

D. Limitation of Damages and Implied Warranties

The foregoing EXPRESSED WARRANTY IS IN LIEU OF ALL OTHER EXPRESS WARRANTIES. Neither Tecumseh nor any of its affiliates makes any warranties, representations or promises, written or oral, as to the quality of the Power Train Component or any of its parts, other than as set forth herein.

ANY IMPLIED WARRANTY OF MERCHANTABILITY OR FITNESS FOR A PARTICULAR PURPOSE, TO THE EXTENT THAT EITHER MAY APPLY TO ANY PART(S) OF POWER TRAIN COMPONENTS, SHALL BE LIMITED IN DURATION TO THE PERIODS OF THE EXPRESSED WARRANTIES DEFINED IN PARAGRAPH A HEREOF. IN NO EVENT WILL TECUMSEH BE LIABLE FOR ANY INCIDENTAL, CONSEQUENTIAL OR SPECIAL DAMAGES AND/OR EXPENSES. Some states do not allow limitations on how long an implied warranty lasts or the exclusion or limitation of incidental or consequential damages, so the above limitation(s) or exclusion(s) may not apply to you. This warranty gives you specific legal rights and you may also have other legal rights which vary from state to state.

E. No Dealer Warranty

Tecumseh neither assumes nor authorizes any other person, natural or corporate, to assume for Tecumseh any other obligations or liabilities in connection with or with respect to any part(s) of a Power Train Component. The seller or dealer of part(s) of a Power Train Component has no authority, whatsoever, to make any representations or promises on behalf of Tecumseh or to modify the terms or limitations of Tecumseh's warranty in any way.