

S. B. M. A.

owners manual

RT10

CUSTOM 10XL TRACTOR

MODEL NO.
917.25590
1010

CAUTION:
Read Rules for
Safe Operation
and Instructions
Carefully

- Assembly
- Operating
- Maintenance
- Repair Parts



PUBL AP/3196 - 2/71

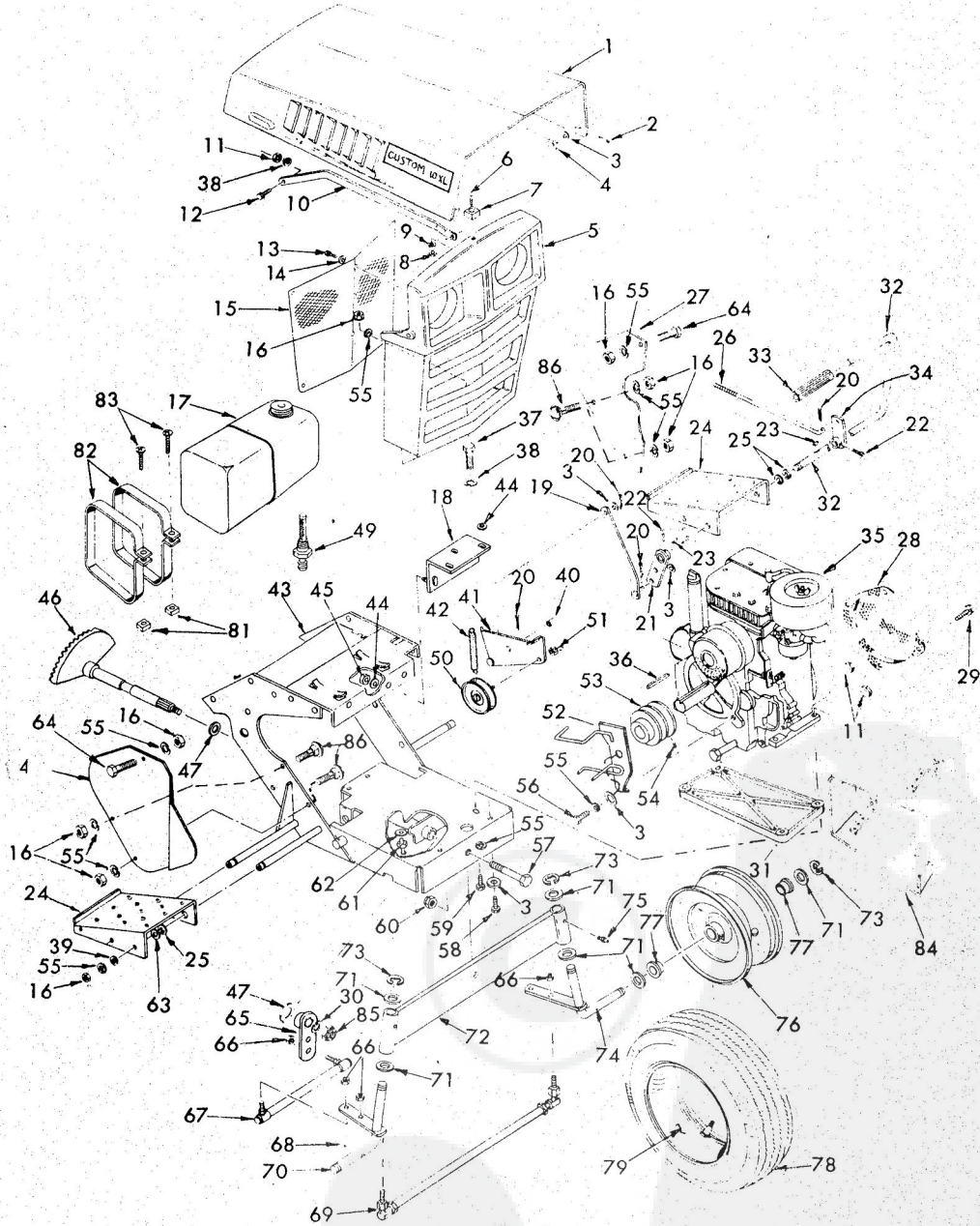
IMPORTATEUR GENERAL POUR LA BELGIQUE ET LE GRAND -
DUCHE DE LUXEMBOURG :

S. B. M. A.

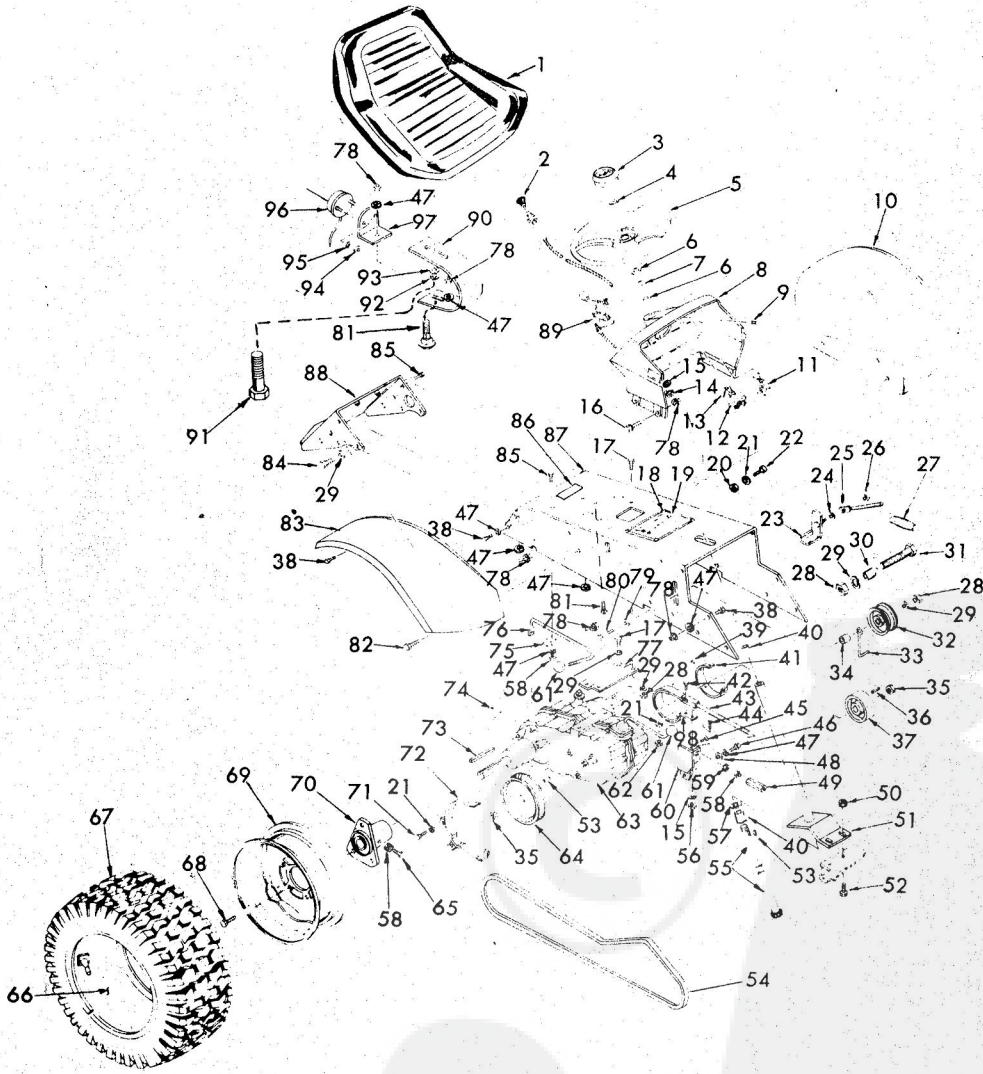
DEPARTEMENT MOTOCULTURE :
1190 BRUXELLES - TEL : 02 / 76.00.90

Rue de Hal ,157

XL TRACTOR---MODEL NUMBER 917.25590 1010

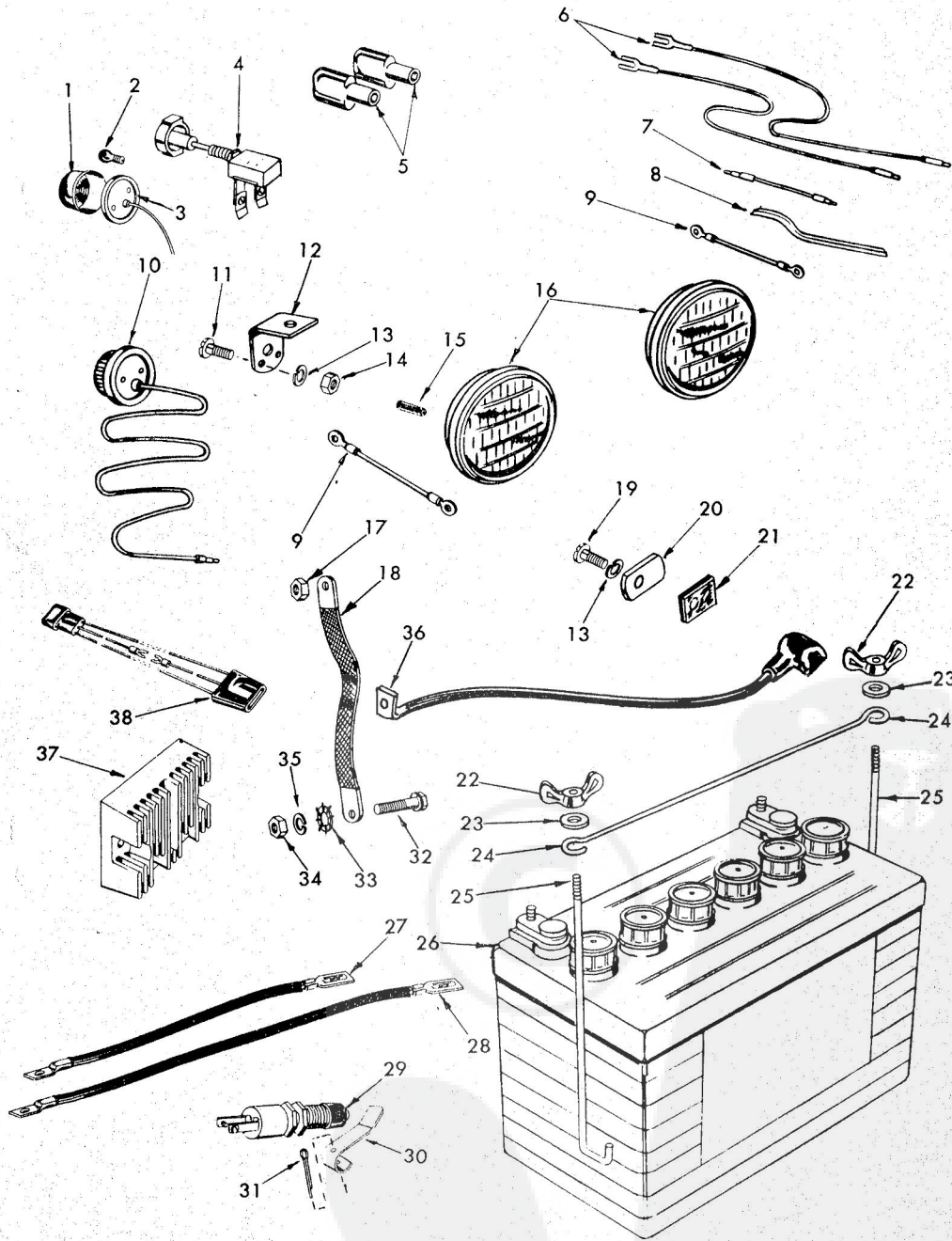


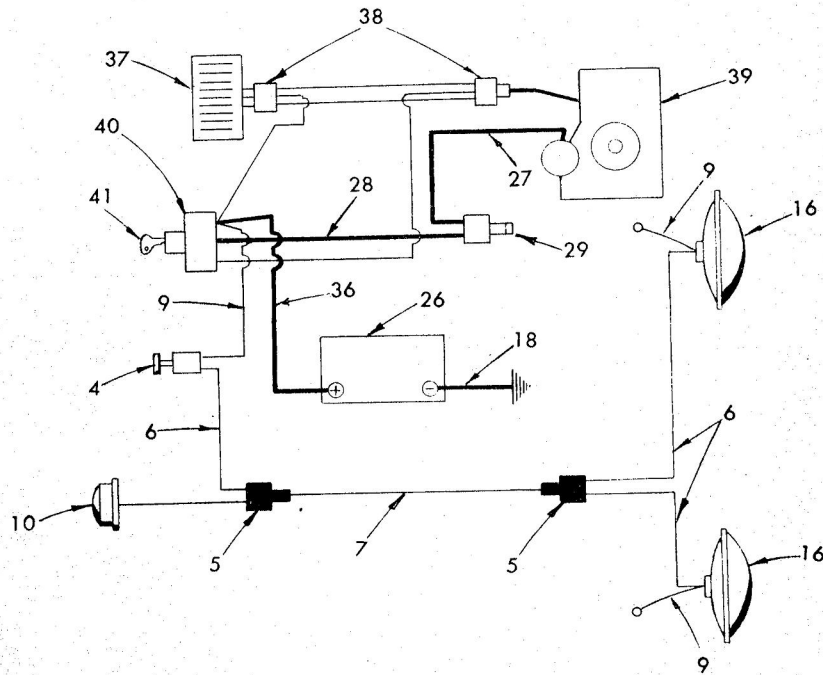
KEY NO.	PART NO.	DESCRIPTION	KEY NO.	PART NO.	DESCRIPTION
1	626A268	Hood Assembly	44	1537P	Washer 11/32 x 11/16 x 16 Ga.
2	2503P	Cotter Pin 3/32 x 3/4	45	1685H	Locknut 5/16 - 18
3	1513P	Washer 13/32 x 13/16 x 16 Ga.	46	626A253	Intermediate Shaft Assembly
4	805R	Grill Brace-L.H.	47	9000H	Thrust Washer
5	8828H1	Grill Frame	48	8212H	Belt Guard
6	3198P	Mach. Screw, Slotted Rd. Hd. #10 - 24 x 1	49	815R	Fuel Line Fitting
7	8887H	Rubber Bumper	50	5146H	Idler Pulley
8	505P	Hex Nut #10 - 24	51	511P	Nylock Nut 3/8 - 24
9	106F	Lockwasher #10	5	626A188	Belt Guide Assembly
10	806R	Grill Brace R.H.	53	626A221	Engine Pulley
11	504P	Hex Nut 5/16 - 18 UNC	54	4525P	Set Screw, Hex Socket Headless 3/8 - 16 x 3/8
12	3010P	Hex Bolt 5/16 - 18 x 3/4	55	1004P	Lockwasher 3/8
13	6029P	Self Tapping Screw W/Lockwasher 1/4 - 20 x 5/8	56	3021P	Hex Bolt 3/8 - 16 x 3/4
14	1509P	Washer 5/16 x 3/4 x 16 Ga.	57	3217P	Hex Bolt 5/8 - 11 x 3-1/2
15	8837H	Grill Screen	58	3027P	Hex Bolt 3/8 - 16 x 1-1/2
16	501P	Hex Nut 3/8 - 16 UNC	59	3028P	Hex Bolt 3/8 - 16 x 1-3/4
17	814R	Fuel Tank	60	4764H	Huglock Nut 5/8 - 11
18	626A239	Engine Tie Bracket Assembly	61	6842M	Grease Fitting
19	626A196	Clutch Rod Assembly	62	1506P	Washer 9/32 x 1/2 x 14 Ga.
20	2505P	Cotter Pin 1/8 x 3/4	63	1550P	Washer 21/32 x 1 x 12 Ga.
21	626A31A	Steering Arm Assembly	64	3023P	Hex Bolt 3/8 x 16 x 1
22	4501P	Set Screw, Sq. Hd. 5/16 - 18 x 1/2	65	626A254	Steering Arm Assembly
23	9858M1	Woodruff Key 3/16 x 5/8	66	511P	Nylock Nut 3/8 - 24
24	8172H	Foot Rest	67	5137H	Steering Link
25	5001P	E-Ring	68	5142H	Roll Pin 3/16 x 1-1/4
26	8811H1	Brake Rod Front	69	816R	Tie Rod, Adjustable
27	664R	Tie Plate Cover	70	626A194	King Pin Assembly-R.H.
28	704R	Screen Guard	71	1552P	Washer 49/64 x 1-1/4 x 16 Ga.
29	6040P	Mach. Screw, Slotted Fil. Hd. 1/4 - 28 UNC x 3/4 with Sems	72	626A244	Rocker Bar (Front Axle) Assem.
		Lockwasher	73	5000P	E-Ring
30	1544P	Washer 15/32 x 59/64 x 16 ga.	74	626A193	King Pin Assembly-L.H.
31	668R	Engine Mounting Block	75	6855M	Grease Fitting
32	803R	Foot Pedal Shaft	76	9194H	Front Wheel
33	8156H	Foot Pedal Sleeve	77	9040H	Flanged Bearing
34	634A33A	Brake Arm Assembly	78	5104H	Tire 2 Ply
35	626A248	Engine, Craftsman 10 H.P. Model No. 143.619012-- See Price List 932.00 for Ordering Instructions	79	338H	Inner Tube
		Sq. Key 1/4 x 2	80	1559P	Washer 7/16 x 1 x 10 Ga.
36	9396E	Sq. Key 1/4 x 2	81	503P	Nut, Sq. 1/4 - 20 UNC
37	3010P	Bolt, Hex 5/16 - 18 UNC x 3/4	82	809R	Tank Strap
38	1003P	Lockwasher 5/16	83	3153P	Mach. Screw, Rd. Hd. Phillips 1/4 - 20 UNC x 1-1/4
39	1556P	Washer 13/32 x 7/8 x 14 Ga.	84	626A282	Heat Shield Assembly
40	8094H	Bearing	85	7762H	Locknut
41	626A241	Idler Bracket Assembly	86	8P	Bolt, Sq. Neck Carriage 3/8 - 16 UNC x 1
42	5105H	Idler Spring			
43	626A246	Engine Mount and Tie Plate Assembly			



KEY NO.	PART NO.	DESCRIPTION	KEY NO.	PART NO.	DESCRIPTION
1	9578H	Seat	48	1513P	Washer 13/32 x 13/16 x 16 Ga.
2	6466H	Choke Control	49	6417H	Turnbuckle
3	9357H	Steering Wheel Cap	50	8698H	Flange Nut
4	5000P	E-Ring	51	626A109	Steering Column Assembly
5	5138H	Steering Wheel	52	3091P	Bolt, Hex 3/16 - 16 x 1 Heat Treated
6	9007H	Cap	53	9858M1	Woodruff Key
7	5949H	Rubber Bushing	54	8833H	V-Belt (Engine to Transaxle)
8	8175H	Dash Board Assembly	55	626A29	Steering Shaft Assembly
9	4502P	Hex Socket Headless Set Screw 5/16 - 18 x 5/16	56	503P	Hex Nut 1/4 - 20
10	634A212A	Fender and Brace-L.H.	57	1552P	Washer 49/64 x 1-1/4 x 16 Ga.
11	5735H	Light Switch	58	501P	Hex Nut 3/8 - 16
12	7486H	Ignition Switch	59	6000H	Large Flange Nut
13	7552H	Key	60	626A208	Brake Bracket Assembly
14	503P	Hex Nut 1/4 - 20	61	6364H	Control Knob
15	1002P	Lockwasher - 1/4	62	1685H	Lock Nut
16	3027P	Hex Bolt 3/8 - 16 x 1-1/2	63	633A45	Transaxle with Brake Drum
17	3034P	Hex Bolt 7/16 - 14 x 1	64	8840H	Transaxle Pulley with Set Screw
18	9521H	Drive Rivet	65	4524P	Set Screw, Sq. Hd. 3/8 - 16 x 1-1/4
19	-----	Shift Pattern Plate	66	1296H	Inner Tube 6.00 x 12
20	504P	Hex Nut 5/16 - 18	67	5808H	Tire 2 ply 7.50 x 12
21	1003P	Lockwasher - 5/16	68	1304H	Hub Bolt
22	3009P	Hex Bolt 5/16 - 18 x 5/8	69	1297H1	Rim Disc Wheel
23	634A396	Parking Lock Assembly	70	8827H	Wheel Hub - Rear
24	5999H	Spring Washer	71	3010P	Hex Bolt 5/16 - 18 x 3/4
25	634A170	Blade Clutch Handle	72	626A209	Rear Belt Guard Assembly
26	5111P	Nylock Nut 3/8 - 24	73	8327H	Sq. Key 1/4 x 3
27	4379H	Shift Handle Grip	74	2511P	Cotter Pin 3/16 x 1
28	500P	Hex Nut 7/16 - 14	75	6442H	Shift Rod Bracket
29	1001P	Lockwasher - 7/16	76	6477H	Shift Range Rod
30	807R	Retainer Spacer	77	6459H	Transaxle Bracket
31	3231P	Bolt, Hex 7/16 - 14 x 2-3/4	78	501P	Hex Nut 3/8 - 16
32	6635H	Flat Idler	79	1544P	Washer 15/32 x 59/64 x 16 Ga.
33	6479H1	Belt Guide Finger	80	3197P	Hex Bolt 7/16 - 14 x 3-1/4
34	8209H	Idler Spacer	81	20P	Bolt, Sq. Neck Carriage, 3/8 - 16 x 1
35	9204H	Lock Nut	82	3022P	Hex Bolt 3/8 - 16 x 7/8
36	2228M	Woodruff Key 3/16 x 3/4	83	634A213A	Fender and Brace-R.H.
37	7648H	Brake Drum	84	3035P	Hex Bolt 7/16 - 14 x 1-1/4
38	3025P	Hex Bolt 3/8 - 16 x 1	85	3021P	Hex Bolt 3/8 - 16 x 7/8
39	2004P	Brass Tubular Rivet - #4 x 1/4	86	-----	Model Number Plate
40	4437H	Steering Bushing	87	752R	Chassis Channel
41	7645H	Braking Lining	88	634A101	Drawbar and Weldnuts
42	3159P	Hex Bolt 5/16 - 18 x 7/8	89	626A255	Throttle Control
43	626A210	Braking Rod Assembly	90	5053H	Seat Spring
44	4P	Bolt, Sq. Neck Carriage 1/4 - 20 x 5/8	91	3044P	Bolt, Hex 1/2 - 13 UNC x 1-1/4
45	3164P	Flat Hd. Mach. Screw Undercut 3/8 - 16 x 3/4	92	1000P	Lockwasher 1/2
46	3022P	Hex Bolt 3/8 - 16 x 7/8	93	1546P	Washer 17/32 x 1-1/2 x 11 Ga.
47	131099	Lockwasher - 3/8	94	505P	Hex Nut #10 - 24
			95	1006P	Lockwasher #10
			96	8169H1	Tail Light
			97	8143H	Tail Light Bracket
			98	634A167	Brake Band and Lining

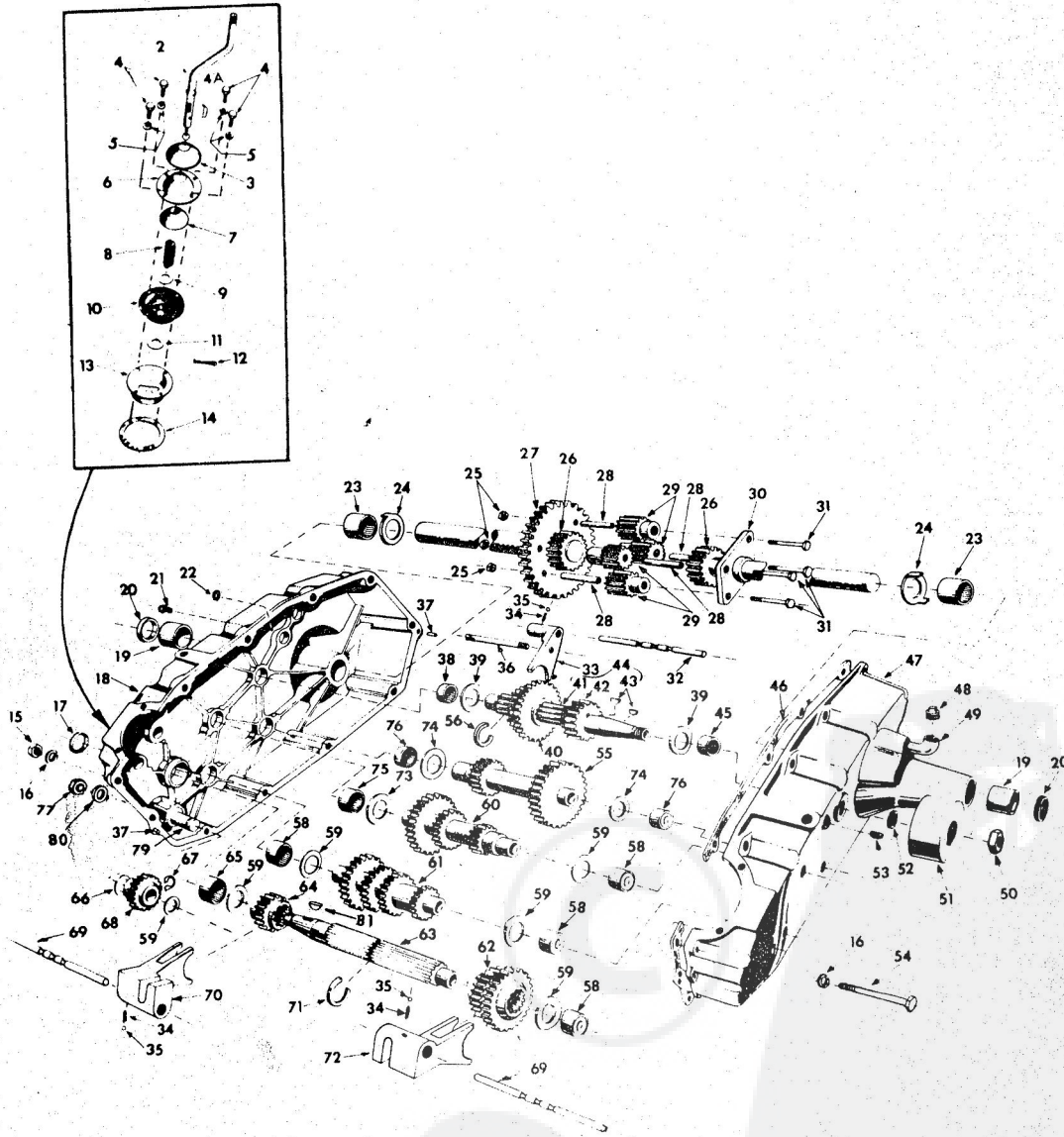
TRACTOR---MODEL NUMBER 917.25590 1010





KEY NO.	PART NO.	DESCRIPTION	KEY NO.	PART NO.	DESCRIPTION
1	8292H	Lens - Tail Light	24	5110H	Battery Clamp
2	8291H	Bulb - Tail Light	25	5072H	Battery Bolt
3	8293H	Housing - Tail Light	26	5111H3	Battery
4	5735H	Light Switch	27	670R	Cable
5	5740H	Wire Connector	28	1031R	Cable
6	6136H	Lead Wire	29	772R	Switch - Safety Start
7	6144H	Lead Wire	30	811R	Actuator-Safety Start Switch
8	6541H	Tie	31	2507P	Cotter Pin 1 8 x 1-1/4
9	7035H	Ground Wire	32	3010P	Bolt, Hex 5 16 - 18 x 7 8
10	8169H1	Tail Light (Inc. Key No's. 1, 2 and 3)	33	1402P	Lockwasher - External
11	3073P	Machine Screw, Slotted Truss Hd. #10-24 x 1/2	34	504P	Nut, Hex 5 16-18
12	8143H	Tail Light Bracket	35	1003P	Lockwasher 5 16
13	1006P	Lockwasher #10	36	626A140	Cable and Cover
14	505P	Nut, Hex #10-24	37	-----	Rectifier (Refer to Engine Manual)
15	9197H	Hose	38	671R	Rectifier Terminal and Lead
16	7034H	Head Light	39	626A 590	Engine, Craftsman 10 H.P.
17	503P	Nut, Hex 1/4 - 20	40	7486H	Ignition, Starter Switch and Key (inc. Key No. 41)
18	5114H	Ground Strap	41	7552H	Key
19	5501P	Machine Screw, Phillips Pan Hd. #10-24 x 3/8 Type T			
20	8768H	Mounting Clip			
21	8784H1	Rubber Spacer			
22	3748M	Wing Nut			
23	1509P	Washer 5/16 x 3/4 x 16 Ga.			

TRACTOR--MODEL NUMBER 917.25590 1010



KEY NO.	PART NO.	DESCRIPTION	KEY NO.	PART NO.	DESCRIPTION
1	633A45	Transaxle Assembly W./Brake Drum	38	8118M	Needle Bearing
2	8735H1	Gear Shift Lever - Bent	39	6266H	Thrust Bearing Race
3	4869H1	Gear Shift Cap	40	633A14	High - Low Range Gears and Hub
4	3010P	Hex Bolt 5/16 - 18 x 3/4	41	6221H	3rd Reduction Gear Shaft
4A	7835M	Woodruff Key 1/8 x 1/2	42	8659H	4th Reduction Pinion
5	1003P	Lockwasher 5/16	43	2228M	Woodruff Key 3/16 x 3/4 H.T.
6	633A39A	Gear Shift Ball Cover and Pin	44	633A32	3rd Reduction Shaft and Gear
7	8739H1	Shift Lever Guide Ball - Keyed	45	8119M	Needle Bearing
8	4924H	Spring	46	6275H	Gasket - Gearcase
9	1544P	Washer 15/32 x 59/64 x 16 Ga.	47	633A41	Gear Case and Bearings-L.H.
10	6273H	Shift Mechanism Seal	48	4002P	Pipe Plug 1/2 - 14 N.P.T.
11	1525P	Washer 9/16 x 15/16 x 11 Ga.	49	4003P	90° Street Elbow 1/2 - 14 N.P.T.
12	2505P	Cotter 1/8 x 3/4	50	9204H	Lock Nut
13	633A19	Gear Shift Gate and Reinforcement	51	7648H1	Brake Drum
14	6274H	Gasket - Shift Ball Cover	52	6271H	Oil Seal
15	504P	Hex Nut 5/16 - 18	53	4001P	Pipe Plug 1/4 - 18 N.P.T.
16	1007P	Lockwasher 5/16 Extra Heavy	54	3087P	Hex Bolt 5/16 - 18 x 1 1/2 Grade 5 H.T.
17	6270H	Oil Seal	55	633A33	4th Reduction Shaft and Gears
18	633A42A	Gear Case, Reverse Idler Shaft and Bearings R.H.	56	6276H	Snap Ring
19	992R	Sintered Iron Bearing	58	4895H	Needle Bearing
20	4910H	Oil Seal	59	1370H	Thrust Bearing Race
21	5855H	Pressure Relief Valve	60	633A31	2nd Reduction Shaft and Gears
22	6269H	Oil Seal	61	633A30	Speed Change Gears and Shaft
23	8740H1	Sintered Iron Bearing	62	633A11	Intermediate and High Speed Pinions
24	6256H	Axle Thrust Washer	63	6218H	Input Shaft
25	7810H	Centerlock Gripco Nut 3/8 - 24	64	6231H	Low Speed Pinion
26	633A43	Axle Shaft and Gear - Custom	65	4894H	Needle Bearing
27	8662H	Final Drive Gear	66	7392H	Reverse Idler Thrust Washer
28	6252H1	Bushing - Differential Pinion	67	5001P	E Ring
29	8657H	Differential Pinion	68	8737H	Reverse Idler Gear
30	6263H1	Differential Carrier	69	6216H	Shift Fork Shaft
31	103672	Hex Bolt 3/8 - 24 x 3 1/4 1** Thread Length	70	6262H	Shift Fork - R.H.
32	6217H	High - Low Range Shift Fork Shaft	71	4926H	Snap Ring - Crescent Type
33	6260H	Shift Fork, High Low Range	72	6261H	Shift Fork - L.H.
34	6272H	Spring - Shaft Fork Detent	73	7395H	Thrust Bearing Race
35	7392M	Steel Ball	74	7396H	Thrust Bearing Race
36	6215H	High - Low Range Shift Shaft	75	7398H	Needle Bearing
37	6277H	Dowel Pin	76	8117M	Needle Bearing
			77	541P	Hex Jam Nut 7/16 - 20
			79	7384H	Reverse Idler Shaft
			80	1167R	Sealing Washer
			81	9858M1	Woodruff Key