

# MASTER PARTS MANUAL

## GARDEN TRACTORS

### MODELS:

T1228AR  
T1228BR  
T4328AR  
T4328BR  
T6328AR  
T6328BR  
T8328AR  
T8328BR  
T8338AR  
T9329AR  
T9329BR

*18 cv*

LAWN AND GARDEN  
POWER EQUIPMENT

**ROPER** SALES CORP.

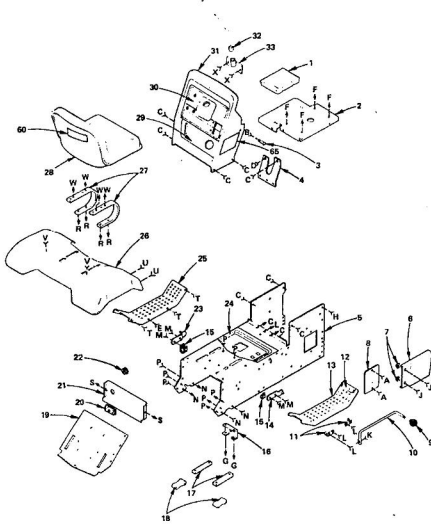
1905 WEST COURT STREET  
KANKAKEE, ILLINOIS 60901

PRICE \$2.00  
FEBRUARY 1, 1979

Click Here to upgrade to Unlimited Pages and Expanded Features

**REPAIR PARTS**

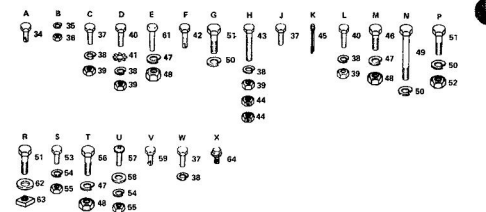
ROPER 11 H.P. GARDEN TRACTOR-MODEL NUMBER T1228BR  
CHASSIS, FENDER & DASHBOARD



**REPAIR PARTS**

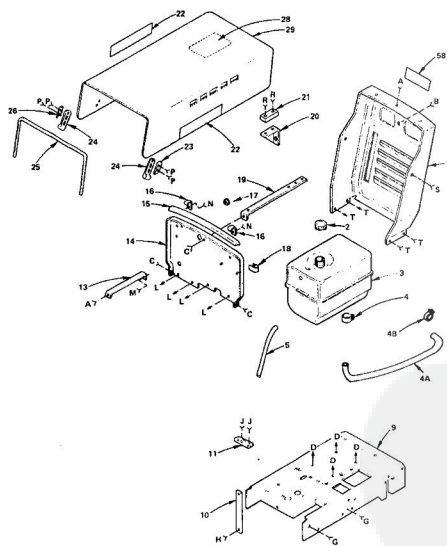
ROPER 11 H.P. GARDEN TRACTOR-MODEL NUMBER T1228BR  
CHASSIS, FENDER & DASHBOARD

KEY NO.	PART NO.	DESCRIPTION	KEY NO.	PART NO.	DESCRIPTION
1	8855R	Battery Tray	37	3009P	*Hex Bolt 5/16 - 18 UNC x 5/8
2	8737R	Tank & Battery Support	38	1003P	*Lockwasher 5/16
3	8753R	Hood Latch Pin	39	504P	*Hex Nut 5/16 - 18 UNC
4	8792R	Tank & Battery Support Brace	40	3016P	*Hex Bolt 5/16 - 18 UNC x 3/4
5	8747R	Chassis Channel	41	1406P	*Fast Tooth Lockwasher 5/16
6	8791R	Engine Pulley Cover	42	5503P	*Hex Head Thread Cutting Screw 5/16 - 28 UNC x 3/4 Type 23
7	8916R	Nut Retainer	43	3373P	*Hex Bolt 5/16 - 18 UNC x 1 - 1/2 Full Thd.
8	9800R	Channel Access Cover	44	1085H	*Locknut 5/16
9	8504H	Control Knob	45	2811P	*Cotter Pin 3/16 x 1
10	8756R	Range Shift Rod	46	2022P	*Hex Bolt 3/8 - 16 UNC x 7/8
11	8919R	Range Shift Rod Bracket	47	1005P	*Lockwasher 3/8
12	8900R	Decal - Attachment Clutch	48	5011P	*Hex Bolt 7/16 - 14 UNC x 2 - 1/4
13	8646R	Foot Rest - R.H.	49	3034P	*Lockwasher 7/16
14	6236-37	Suspension Arm Bracket Weldment - R.H.	50	1001P	*Hex Bolt 7/16 - 14 UNC x 1
15	2751R	Clip - Fuel Line	51	5007P	*Lockwasher 1/4
16	8820R	Terminal Bracket	52	500P	*Hex Nut 1/4 - 20 UNC x 1/2
17	158J	Seat Spring Lock Plate	53	3114P	*Lockwasher 1/4
18	9246R	Terminal Spacer	54	1002P	*Hex Nut 1/4 - 20 UNC
19	673A95	Drawer Assembly	55	503P	*Hex Bolt 3/8 - 16 UNC x 1
20	5017R	Burlaster	56	3023P	*Cross Recess Truss Head Machine Screw 1/4 - 20 UNC x 5/8
21	8782R	Chassis Channel Cover	57	3589P	*Washer 9/32 x 5/8 x 1/6 Ga.
22	3807R	Universal Bushing	58	1500P	*Hex Head Thread Cutting Screw 5/16 - 18 UNC x 1/2 Type 23
23	673A38	Suspension Arm Bracket Weldment - L.H.	59	5000P	*Decal - Roper
24	8888R	Decal - Shift Pattern	60	2451J	*Seat
25	8841R	Foot Rest - L.H.	61	3021P	*Hex Bolt 3/8 - 16 UNC x 3/4
26	8503R	Fender	62	1544P	*Washer 8/32 x 5/16 x 1/8 Ga.
27	8168R	Seat Spring	63	568P	*Square Nut 7/16 - 14 UNC
28	2214J	Seat	64	5906P	*Hex Washer 1/4 - 20 UNC
29	195J	Decal - Lower Dashboard	65	243J	*Decal - 11 H.P.
30	196J	Decal - Upper Dashboard	66	1722J	*Warranty - Fast 110
31	163J	Dashboard	---	---	*Owners Manual
32	9038R	Bearing	---	---	*STANDARD HARDWARE-PURCHASE LOCALLY
33	673A56	Steering Bracket & Bearing (Inc. Key No. 12)			
34	5506P	*Hex Head Thread Cutting Screw 1/4 - 20 UNC x 1/2 Type 23			
35	1006P	*Lockwasher No. 10			
36	500P	*Hex Nut No. 10 - 24 UNC			



**REPAIR PARTS**

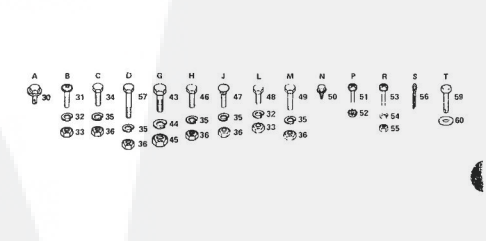
ROPER 11 H.P. GARDEN TRACTOR-MODEL NUMBER T1228BR  
ENGINE MOUNT, HOOD & GRILL



**REPAIR PARTS**

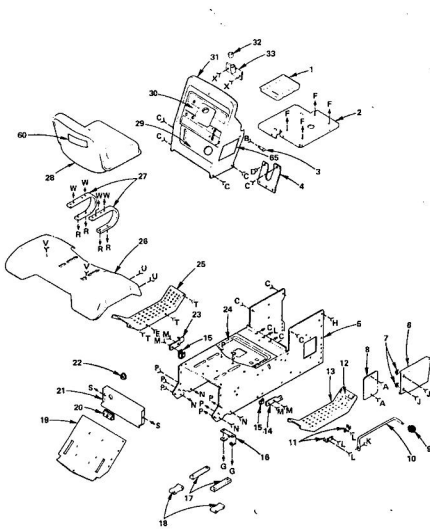
ROPER 11 H.P. GARDEN TRACTOR-MODEL NUMBER T1228BR  
ENGINE MOUNT, HOOD & GRILL

KEY NO.	PART NO.	DESCRIPTION	KEY NO.	PART NO.	DESCRIPTION
1	1647J	Grill	32	1002P	*Lockwasher 1/4
2	7971R	Fuel Tank Cap	33	503P	*Hex Nut 1/4 - 20 UNC
3	36J	Fuel Tank	34	3009P	*Hex Bolt 5/16 - 18 UNC x 5/8
4	9872R	Hose Clamp	35	1003P	*Lockwasher 5/16
4A	8644R	Fuel Line	36	504P	*Hex Bolt 5/16 - 18 UNC
4B	6529R	Fuel Line Clamp	43	3034P	*Hex Bolt 7/16 - 14 UNC x 1
5	8906R	Fuel Line - Over Flow	44	1001P	*Lockwasher 7/16
6	673A200	Engine Base Weldment	45	500P	*Hex Nut 7/16 - 14 UNC
10	8818R	Engine Base Brace	46	3016P	*Hex Bolt 5/16 - 18 UNC x 3/4
11	1555J	Safety Switch Bracket	47	16P	*5/16 Neck Carriage Bolt 5/16 - 18 UNC x 3/4
13	8780R	Dashboard Brace	48	3114P	*Hex Bolt 1/4 - 20 UNC x 1/2
14	8784R	Heat Shield	49	3011P	*Hex Bolt 5/16 - 18 UNC x 1
15	8925R	Scaling Strip	50	5004P	*Hex Washer Head Sheet Metal Screw No. 10 x 3/8 (new AB)
16	8924R	Sealing Strip Clamp	51	3320P	*Cross Recess Pan Head Machine Screw No. 10 - 24 UNC x 1/2
17	9151R	Seal Bushing	52	561P	*Keps Nut No. 10 - 7/8 UNC
18	4171R	Insulated Clip	53	3083P	*Cross Recess Pan Head Machine Screw No. 10 - 24 UNC x 1/2
19	8761R	Grill Bracket	54	1006P	*Lockwasher No. 10
20	8933R	Grill Bumper	55	500P	*Hex Nut No. 10 - 24 UNC
21	9042R	Roller Bracket	56	2503P	*Cotter Pin 3/32 x 3/4
22	242J	Decal - Roper	57	2014P	*Hex Bolt 5/16 - 18 UNC x 1 - 3/4
23	8937R	Hood Latch Cover - R.H.	58	293J	*Decal - Roper Logo
24	8889R	Hood Latch	59	503P	*Hex Head Thread Cutting Screw 5/16 - 18 UNC x 3/4
26	8937R	Hood Strip	60	1537P	*Cross Recess Truss Head Machine Screw 1/4 - 20 UNC x 3/4
26	9015R	Hood Latch Cover - L.H.			
26	8028R	Decal - Maintenance			
29	673A29	Hex Washer Head Thread Cutting Screw 5/16 - 18 UNC x 1/2 Type 23			
30	5006P	*Hex Washer Head Thread Cutting Screw 5/16 - 18 UNC x 1/2 Type 23			
31	3268P	*Cross Recess Truss Head Machine Screw 1/4 - 20 UNC x 3/4			



**REPAIR PARTS**

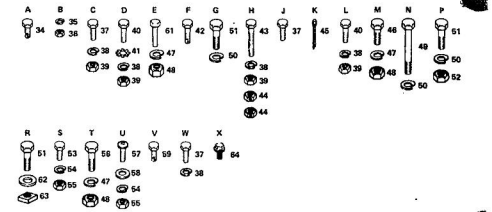
ROPER 11 H.P. GARDEN TRACTOR-MODEL NUMBER T1228AR  
CHASSIS, FENDER & DASHBOARD



**REPAIR PARTS**

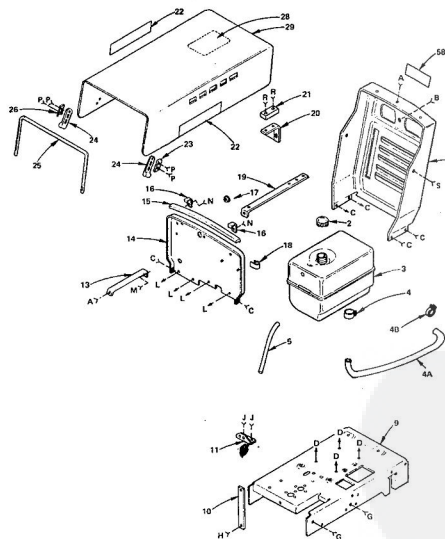
ROPER 11 H.P. GARDEN TRACTOR-MODEL NUMBER T1228AR  
CHASSIS, FENDER & DASHBOARD

KEY NO.	PART NO.	DESCRIPTION	KEY NO.	PART NO.	DESCRIPTION
1	8955R	Battery Tray	37	3003P	*Hex Bolt 5/16 - 18 UNC x 5/8
2	8797R	Tank & Battery Support	38	1003P	*Lockwasher 5/16
3	8753R	Hood Latch Pin	39	504P	*Hex Nut 5/16 - 18 UNC
4	8792R	Tank & Battery Support Brace	40	3010P	*Hex Bolt 5/16 - 18 UNC x 3/4
5	8807R	Chassis Channel	41	1408P	*Ext. Tooth Lockwasher 5/16
6	8791R	Engine Pulley Cover	42	5003P	*Hex Head Thread Cutting Screw 5/16 - 18 UNC x 3/4 Type 23
7	8915R	Nut Retainer	43	3233P	*Hex Bolt 5/16 - 18 UNC x 1 - 1/2 Full Thd.
8	8800R	Chassis Access Cover	44	1858H	Locknut 5/16
9	8384H	Control Knob	45	2511P	*Cotter Pin 3/16 x 1
10	8756R	Range Shift Rod	46	3022P	*Hex Bolt 3/8 - 16 UNC x 7/8
11	8816R	Range Shift Rod Bracket	47	1004P	*Lockwasher 3/8
12	8900R	Decal - Attachment Clutch	48	501P	*Hex Nut 3/8 - 16 UNC
13	8840R	Foot Rest - R.H.	49	3155P	*Hex Bolt 7/16 - 14 UNC x 2 - 1/4
14	873437	Suspension Arm Bracket Weldment - R.H.	50	1001P	*Lockwasher 7/16
15	2761R	Clip - Fuel Line	51	3034P	*Hex Bolt 7/16 - 14 UNC x 1
16	8825R	Transaxle Bracket	52	500P	*Hex Nut 7/16 - 14 UNC
17	1521	Seat Spring Lock Plate	53	3114P	*Hex Bolt 1/4 - 20 UNC x 1/2
18	9248R	Transaxle Spacer	54	1003P	*Lockwasher 1/4
19	873435	Drawer Assembly	55	503P	*Hex Nut 1/4 - 20 UNC
20	5012R	Reflector	56	3023P	*Hex Bolt 3/8 - 16 UNC x 1
21	8782R	Chassis Channel Cover	57	3368P	*Cross Recess Trust Head Machine Screw 1/4 - 20 UNC x 5/8
22	3807R	Universal Bushing	58	1505P	*Washer 8/32 x 5/8 x 1/6 Ga.
23	673A38	Suspension Arm Bracket Weldment - L.H.	59	5600P	*Hex Head Thread Cutting Screw 5/16 - 18 UNC x 1/2 Type 23
24	8888R	Decal - Shift Pattern	60	2457	Decal - Roper
25	8841R	Foot Rest - L.H.	61	3021P	*Hex Bolt 3/8 - 16 UNC x 3/4
26	8059P	Fender	62	1893P	*Washer 15/32 x 5/8 x 1/6 Ga.
27	8788R	Seat Spring	63	898P	Square Nut 7/16 - 14 UNC
28	4732	Seat	64	5066P	*Hex Washer Hd. Thd. Cutting Screw 1/4 - 20 UNC x 1/2 Type 23
29	198U	Decal - Lower Dashboard	65	2437	Decal - 11 H.P.
30	198U	Decal - Upper Dashboard	66	2437	Warranty - Fast Tag
31	632	Dashboard	67	2547	Owners Manual
32	9038R	Bearing	—	—	*STANDARD HARDWARE-PURCHASE LOCALLY
33	872467	Shafting Bracket & Bearing (Inc. Key No. 32)			
34	5596P	Head Thread Cutting Screw 1/4 - 20 UNC x 1/2 Type 23			
35	1006P	*Lockwasher 1/4			
36	508P	*Hex Nut No. 10 - 24 UNC			



**REPAIR PARTS**

ROPER 11 H.P. GARDEN TRACTOR-MODEL NUMBER T1228AR  
ENGINE MOUNT, HOOD & GRILL



**REPAIR PARTS**

ROPER 11 H.P. GARDEN TRACTOR-MODEL NUMBER T1228AR  
ENGINE MOUNT, HOOD & GRILL

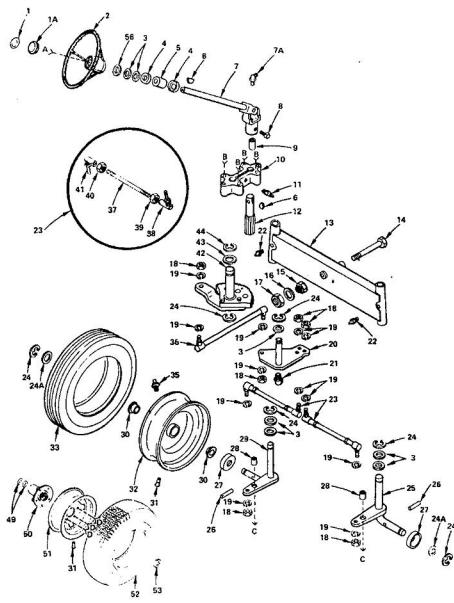
KEY NO.	PART NO.	DESCRIPTION	KEY NO.	PART NO.	DESCRIPTION
1	8955R	Gull	32	1002P	*Lockwasher 1/4
2	7917R	Fuel Tank Cap	33	503P	*Hex Nut 1/4 - 20 UNC
3	36J	Fuel Tank	34	3009P	*Hex Bolt 5/16 - 18 UNC x 5/8
4	8837R	Fuel Clamp	35	1003P	*Lockwasher 5/16
4A	8544R	Fuel Line	36	504P	*Hex Nut 5/16 - 18 UNC
4B	9095R	Fuel Line Clamp	43	3034P	*Hex Bolt 7/16 - 14 UNC x 1
5	9095R	Fuel Line - Overflow	44	1001P	*Lockwasher 7/16
6	873437	Engine Base Weldment	45	500P	*Hex Nut 7/16 - 14 UNC
10	8818R	Engine Base Brace	46	3010P	*Hex Bolt 5/16 - 18 UNC x 3/4
11	9280R	Safety Switch Bracket	47	16P	*Sq. Neck Carriage Bolt 5/16 - 18 UNC x 3/4
12	8780R	Dashboard Brace	48	3114P	*Hex Bolt 1/4 - 20 UNC x 1/2
14	8784R	Heat Shield	49	3011P	*Hex Bolt 5/16 - 18 UNC x 1
15	8936R	Seating Strip Clamp	50	5604P	*Hex Washer Head Sheet Metal Screw No. 10 - 24 UNC Type A5
16	8934R	Seating Strip	51	3220P	*Cross Recess Pan Head Machine Screw No. 10 - 24 UNC x 1/2
17	9151R	Insulated Clip	52	501P	*Hex Nut No. 10 - 24 UNC
18	4171R	Grill Bracket	53	3037P	*Cross Recess Pan Head Machine Screw No. 10 - 24 UNC x 3/4
19	8518R	Grill Bracket	54	1006P	*Lockwasher No. 10
20	8933P	Rubber Bumper	55	505P	*Hex Nut No. 10 - 24 UNC
21	8949R	Grill Bracket	56	2503P	*Cotter Pin 3/32 x 3/4
22	242J	Decal - Roper	57	3014P	*Hex Bolt 5/16 - 18 UNC x 1 - 3/4
23	8835R	Hood Latch Cover - R.H.	58	283J	Decal - Roper Logo
24	8888R	Hood Latch			
25	8937R	Hood Strip			
26	8016R	Hood Latch Cover - L.H.			
28	8028R	Decal - Maintenance			
29	673A183	Hood Ass'y.			
30	5600P	*Hex Washer Head Thread Cutting Screw 5/16 - 18 UNC x 1/2 Type 23			
31	3268P	*Cross Recess Trust Head Machine Screw 1/4 - 20 UNC x 3/4			



**REPAIR PARTS**

ROPER 11 H.P. GARDEN TRACTOR-MODEL NUMBER T12288R

STEERING AND FRONT AXLE



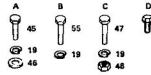
**REPAIR PARTS**

ROPER 11 H.P. GARDEN TRACTOR-MODEL NUMBER T12288R

STEERING AND FRONT AXLE

KEY NO.	PART NO.	DESCRIPTION	KEY NO.	PART NO.	DESCRIPTION
1	238J	Discal. Steering Wheel Cap	30	673A13	Shoulder Weldment L.H.
1A	9719H	Steering Wheel Cap	30	9040H	Lenslet Bearing
2	3944H	Steering Wheel	31	795H	Trac Valve
3	1502P	Washer 25/32 x 1-1/4 x 16 Ga. ID to 2 as required	32	3030R	Front Wheel Disc Key Nut, 30 & 30 1/2
4	9007H	Cap - Steering Tube	33	3030R	Front Tire - Tubeless, 10 x 30 & 10 x 30 1/2
5	9289H	Rubber Bushing	35	6850A	Groove fitting
6	9828M1	Washoff Key	36	8802R	Steering Disc Lock
7	9527H	U-Bolt (Inc. Key No. 7A)	37	673A20	Tie Rod (Inc. Key No. 39 & 40)
7A	6464H	Grease Fitting	38	8922R	Tie Rod Joint - L.H. Thread
8	4556P	Sh. Nut (Inc. Screw 3/8" - 16 UNC x 1/2)	39	544P	Hex Jam Nut 3/8" - 24 UNF - L.H.
9	161J	"U" Joint Spacer	40	544P	Hex Jam Nut 3/8" - 24 UNF - R.H.
10	4902R	Steering Support Bracket	41	8921R	Tie Rod Joint - R.H. Thread
11	5842M	Grease Fitting	42	673A14	Steering Screw Assy.
12	157J	Steering Pinion	43	1550P	Washer 20/32 x 1-1/4 x 16 Ga.
13	673A20	Front Axle Weldment	44	5077P	E-Ring
14	8916R	Pin Bolt 5/8" - 11 UNC x 6	45	1517P	Washer 7/16 x 1 x 14 Ga.
15	156J	Shoulder Nut	46	3020P	Hex Bolt 3/8" - 16 UNC x 1-3/4
16	1503P	Washer 21/32 x 1-5/16 x 13 Ga.	48	501P	Hex Nut 3/8" - 16 UNC
17	522P	Hex Jam Nut 3/8" - 11 UNC	49	3552R	Asst. Thrust Washer 10 to 4 as required
18	515P	Hex Nut 3/8" - 24 UNF	50	624A02	Wheel Hubs and Rims
19	1004P	Lockwasher 20	51	3052R	Rim Wheel
20	673A20	Steering Tie Rod (Inc. Key No. 37 thru 41)	52	3783H	Rim Wheel - Tubeless 22.5 x 7.50 12
21	6955A	Grease Fitting	53	5845H	E-Ring
22	6955A	Grease Fitting	54	1304H	Hold Bolt
23	673A15	Steering Tie Rod (Inc. Key No. 5, 27 thru 41)	55	3027P	Hex Bolt 3/8" - 16 UNC x 7/8
24	5000P	E-Ring	56	1561P	Washer 20/32 x 1-1/4 x 21 Ga. ID to 1 as required
24A	1517P	Washer 20/32 x 1-5/8 x 16 Ga.			
25	673A20	Steering Tie Rod - R.H.			
26	9528R	Lockwasher 20			
27	8738R	Dust Cup			
28	8907R	Bushing - Steering Stop			

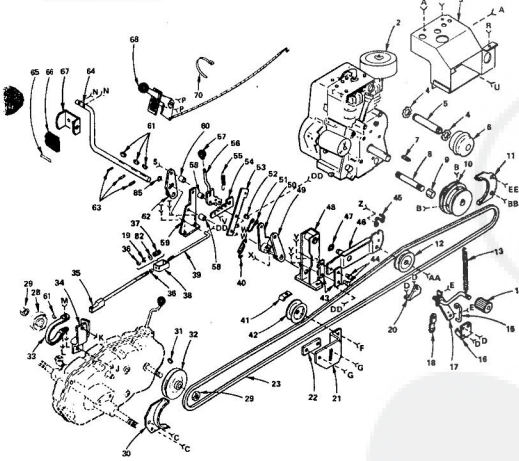
\*STANDARD HARDWARE - PURCHASE LOCALLY



**REPAIR PARTS**

ROPER 11 H.P. GARDEN TRACTOR-MODEL NUMBER T12288R

CLUTCH-BRAKE & DRIVE



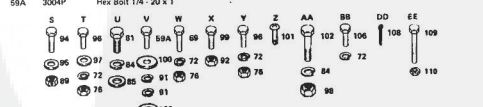
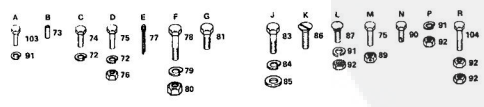
**REPAIR PARTS**

ROPER 11 H.P. GARDEN TRACTOR-MODEL NUMBER T12288R

CLUTCH-BRAKE & DRIVE

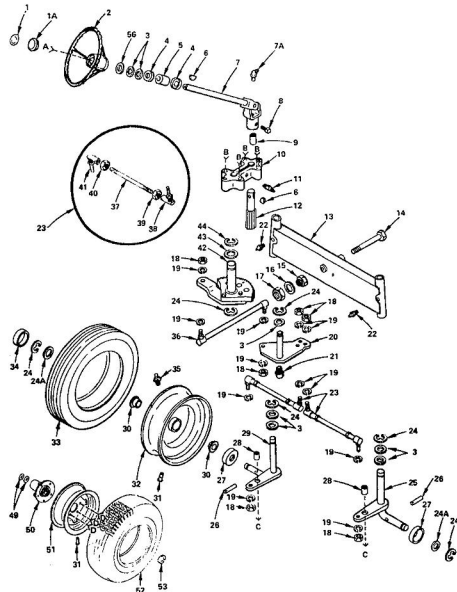
KEY NO.	PART NO.	DESCRIPTION	KEY NO.	PART NO.	DESCRIPTION
10	4902R	Steering Support Bracket	60	8909R	Bushing - Lock Bar
11	164J	Belt Idler - V Groove	61	2729M	Woodruff Key 3/16 x 3/4 H.T.
12	8848R	Spring - Mower Clutch	62	8835R	Brake Arm
13	8863R	Attachment Pedal Cover	63	1425H	Roll Pin
14	1817J	Clutch Spring Hanger	64	8730R	Foot Pedal Shaft
15	673A105	Outer Clutch Bracket Assy.	65	8899R	Insert - Clutch Brake
16	673A106	Clutch Link - Lower	66	8882R	Foot Pedal Bracket
17	8832R	Clutch Link - Upper	67	8765R	Clutch & Throttle Control
18	516P	Locknut 3/8" - 16 UNC	68	189J	Hold Bolt
19	8828R	Clutch Bracket - Inner	69	5011P	Cable Tie
20	8828R	Clutch Bracket - Outer	70	6730R	Lockwasher 5/16
21	8845R	Flat Idler Bracket	71	1905P	Hex Fender Socket Helix. Set Screw CP 5/16" - 18 x 1/2" Nylon
22	8730R	Idler Bracket Lock Plate	74	3009P	Hex Bolt 5/16" - 18 UNC x 5/8
23	8845R	Clutch Drive Bolt	75	504P	Hex Bolt 5/16" - 18 UNC x 3/4
24	214J	Brake Drum	76	504P	Hex Nut 5/16" - 18 UNC
25	8204H	Locknut 1/2" - 20 UNF	77	3208P	Coner Pin 1/8" - 3/4
26	8900R	Transaxle Pulley Bolt Guide (Inc. Key No. 73)	78	3038P	Hex Bolt 7/16" - 14 UNC x 1-1/2
27	8900R	Woodruff Key 3/16 x 5/8 H.T.	79	1001P	Lockwasher 7/16
28	8847H	Transaxle Pulley	80	500P	Hex Nut 7/16" - 14 UNC
29	673A27	Brake Bracket Weldment	81	3021P	Washer 13/32 x 1-9/16 x 10 Ga.
30	626A368	Hex Jam Nut 3/8" - 16 UNC	82	1620P	Hex Bolt 3/8" - 16 UNC x 1/8
31	1784J	Compressor Spring	83	3022P	Lockwasher 3/8
32	673A27	Brake Bracket Assy.	84	1004P	Washer 3/32 x 13/16 x 16 Ga.
33	1784J	Compressor Spring	85	3184P	Undercut Flat Head Mach. Screw 3/8" - 16 UNC x 3/8
34	673A27	Brake Bracket Assy.	87	11P	St. Neck Carriage Bolt 1/4" - 20 UNC x 5/8
35	626A368	Hex Jam Nut 3/8" - 16 UNC	88	1895H	Locknut 5/16" - 18 UNC
36	502P	Hex Jam Nut 3/8" - 16 UNC	89	5596P	Hex Hd. Thread Cutting Screw 1/4" - 20 UNC x 1/2 Type 23
37	1784J	Compressor Spring	91	1002P	Lockwasher 1/4"
38	673A209	Coupler Assembly	92	503P	Hex Nut 1/4" - 20 UNC
39	1782J	Brake Rod - Front	93	3723P	Hex Bolt 5/16" - 18 UNC x 1 Grade 5
40	8905R	Spring	95	1505P	Washer 6/16 x 3/4 x 16 Ga.
41	8905R	Wire Lead	96	3159P	Hex Bolt 5/16" - 18 UNC x 7/8
42	5655H	Flat Idler	97	1537P	Washer 1/32 x 21/16 x 16 Ga.
43	8915R	Clutch Arm Link	98	501P	Hex Nut 3/8" - 16 UNC
44	8912R	Drilled Flat Head Rivet	99	3003P	Washer 1/4" - 20 UNC x 3/4
45	8848R	V-Idler Bolt Guide	100	1895P	Washer 8/32 x 1-1/4 x 16 Ga.
46	673A162	Belt Idler Bracket Weldment	101	5602P	Cross Recess Tread Head Thread Cutting Screw 1/4" - 20 UNC x 1/2
47	5021P	Hex Nut 3/8" - 16 UNC			
48	673A21	Belt Idler Support Assy.	102	3027P	Hex Bolt 3/8" - 16 UNC x 1-1/2
49	8837R	Clutch Spring Arm	103	3114P	Hex Bolt 1/4" - 20 UNC x 1/2
50	8837R	Safety Switch Arm	104	3364P	Hex Bolt 1/4" - 20 UNC x 1-1/4 Full 1
51	8837R	Safety Switch	106	3003P	Hex Bolt 5/16" - 24 UNF x 5/8
52	8911R	Drilled Flat Head Rivet	108	2905P	Coner Pin 1/8" - 3/4
53	8830R	Parking Brake Lock Bracket	109	3360P	Hex Bolt 5/16" - 24 UNF x 2-3/4
54	1008J	Spring	110	538P	Hex Jam Nut 5/16" - 24 UNF
55	8848R	Spring			
56	673A18	Forking Brake Lever Weldment			
57	8811R	Control Knob			
58	8908R	Bushing - Brake Lever			
59	8922R	Parking Brake Support			
59A	3004P	Hex Bolt 1/4" - 20 x 1			

\*STANDARD HARDWARE - PURCHASE LOCALLY



### REPAIR PARTS

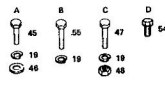
ROPER 11 H.P. GARDEN TRACTOR MODEL NUMBER T1228AR  
STEERING AND FRONT AXLE



### REPAIR PARTS

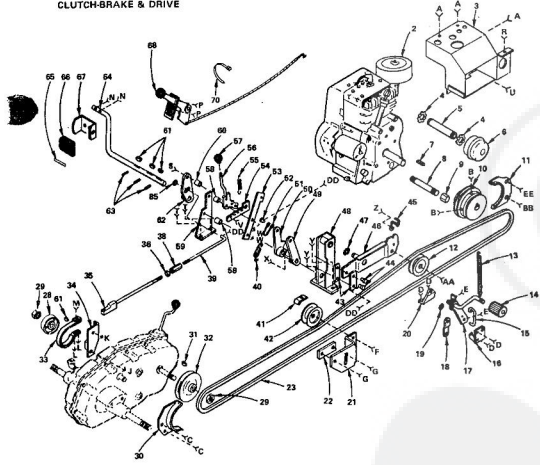
ROPER 11 H.P. GARDEN TRACTOR-MODEL NUMBER T1228AR  
STEERING AND FRONT AXLE

KEY NO.	PART NO.	DESCRIPTION	KEY NO.	PART NO.	DESCRIPTION
1	236J	Detail, Steering Wheel Cap	20	673A13	Spindle Weldment - L.H.
1A	9719R	Steering Wheel Cap	30	9060H	Flange Bearing
2	364M	Washer 48/34 x 1 - 1/4 x 16 Ga.	31	780H	Flange Washer
3	1562P	Washer 48/34 x 1 - 1/4 x 16 Ga.	32	3638R	Front Wheel Hic. Key No. 5, 20 & 3
4	900M	Cap - Steering Tube	33	3838R	Front Tire - Tubeless 10 x 4.50 - 8
5	5919M	Rubber Bushing	34	2118R	Dust Cap
6	882M1	Woodruff Key	35	6856M	Grease Fitting
7	9827H	U-bolts (Inc. Key No. 7A)	36	8809R	Steering Drag Link
7A	8823H	Grease Fitting	37	673A28	Tie Rod Hic. Key No. 20 & 40
8	4906P	Sq. Hd. Set Screw 3/8 - 16 UNC x 1/2	38	8922H	Tie Rod Adjust. L.H. Thread
9	161J	"U" Joint Spline	39	547P	Hex Jam Nut 3/8 - 24 UNF - L.H.
10	8938R	Steering Support Bracket	40	548P	Hex Jam Nut 3/8 - 24 UNF
11	6847M	Grease Fitting	41	8921R	Tie Rod Joint - R.H. Flange
12	151J	Steering Pinion	42	673A147	Steering Sector Assy.
13	673A26	Front Axle Weldment	43	1503P	Washer 5/16 x 1 - 1/4 x 16 Ga.
14	9319H	Front Bolt 5/8 - 11 UNC x 6	44	5017H	E-Ring
15	155J	Shoulder Nut	45	3023P	*Hex Bolt 3/8 - 16 UNC x 1
16	1503P	Washer 21/32 x 1 - 5/16 x 13 Ga.	46	1517P	*Washer 7/16 x 1 - 1/4 Ga.
17	527P	*Hex Nut 3/8 - 11 UNC	47	3028P	*Hex Bolt 3/8 - 16 UNC x 1 - 3/4
18	516P	*Hex Nut 3/8 - 24 UNF	48	5011P	*Hex Nut 3/8 - 16 UNC
19	1038P	*Lockwasher 3/8	49	7502P	Axle Thrust Washers
20	673A30	Steering Bell Crank Weldment	50	624A102	Wheel Hubs and Bushings
21	6823M	Grease Fitting	51	3625H	Wheel Wheel
22	6852M	Grease Fitting	52	3783H	Rear Tire - Tubeless 22.5 x 7.50 - 8
23	673A15	Steering Tie Rod (Inc. Key No. 37 thru 41)	54	1324H	Hull Bolt
24	5096P	E-Ring	55	5022P	Hex Bolt 3/8 - 10 UNC x 7.8
24A	1589P	Washer 49/64 x 1 - 5/8 x 16 Ga.	56	1591P	Washer 25/32 x 1 - 1/4 x 21 Ga.
25	673A30	Spindle Weldment - R.H.			
26	8620H	Grease Pin			
27	8759R	Dust Cap - Inner			
28	9067H	Bushing - Steering Stop			



### REPAIR PARTS

ROPER 11 H.P. GARDEN TRACTOR-MODEL NUMBER T1228AR  
CLUTCH-BRAKE & DRIVE



### REPAIR PARTS

ROPER 11 H.P. GARDEN TRACTOR-MODEL NUMBER T1228AR  
CLUTCH-BRAKE & DRIVE

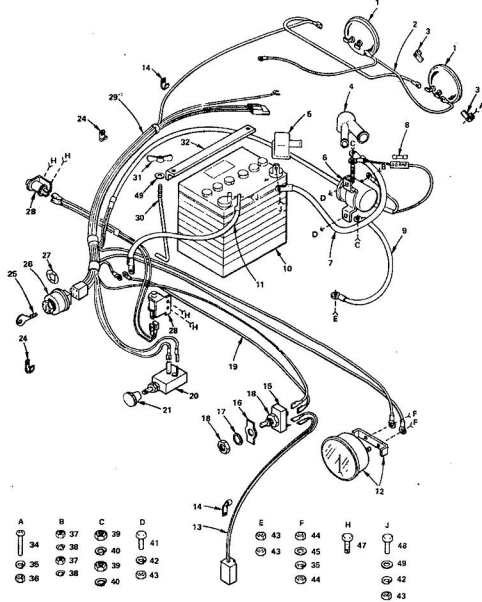
KEY NO.	PART NO.	DESCRIPTION	KEY NO.	PART NO.	DESCRIPTION
2	25817	Engine - 11 H.P. Briggs & Stratton Type 03001	60	8909R	Bushing - Lock Bar
3	673A153	Heat Deflection Weldment	61	2228M	Woodruff Key 3/16 x 3/4 H.T.
4	6940H	Muffler - Muffler	63	5142H	Roll Pin
5	8888R	Muffler Pipe	64	8760R	Foot Pedal Shaft
6	420L	Muffler	65	8889R	Insert - Clutch-Brake
7	9256E	Sq. Key	66	8882H	Foot Pedal
8	4011P	Oil Drain Pipe 3/8 - 18 NPT x 3 - 1/2	67	8795R	Foot Pedal Bracket
9	4015P	Drain Pipe 3/8 - 18 NPT	68	180J	Choke & Throttle Control
10	673A98	Engine Pulley & Set Screws (Inc. Key No. 72)	69	3011P	*Hex Bolt 5/16 - 18 UNC x 1
11	184L	Engine Pulley Bolt Guide	70	1003P	*Lockwasher 5/16
12	8946R	Ball Idler - V Groove	72	4560P	Hex Flange Socket Headless Set Scr 5/16 - 18 UNC x 1/2
13	8906R	Spring - Mover Clutch	74	3009P	*Hex Bolt 5/16 - 18 UNC x 5/8
14	8963R	Attachment Pedal Cover	75	3010P	*Hex Bolt 5/16 - 18 UNC x 3/4
15	673A105	Clutch Spring Hanger	76	524P	*Hex Bolt 5/16 - 18 UNC
16	673A105	Clutch Lever Weldment	77	2500P	*Cotter Pin 1/8 x 1
17	673A105	Clutch Lever Weldment	78	3026P	*Hex Bolt 7/16 - 14 UNC x 1 - 1/2
18	5018P	Retaining Ring	79	1001P	*Lockwasher 7/16
19	8828R	Clutch Bracket - Inner	80	506P	*Hex Nut 7/16 - 14 UNC
20	8828R	Clutch Bracket - Outer	81	3021P	*Hex Bolt 3/8 - 16 UNC x 3/4
21	8828R	Flat Idler Bracket	82	3022P	*Hex Bolt 3/8 - 16 UNC x 7/8
22	8770R	Flat Idler Bracket Lock Rate	84	1004P	*Lockwasher 3/8
23	8848R	Ground Drive Belt	85	1513P	*Washer 13/32 x 13/16 x 16 Ga.
24	714J	Brake Drum	86	3164P	Undercut Flat Head Mach. Screw 3/8 - 18 UNC x 3/4
29	9204H	Locknut 1/2 - 20 UNF	87	10P	*Sq. Neck Carriage Bolt 1/4 - 20 UNC x 1/2
30	8902R	Transmission Pulley Bolt Guide	88	1665H	Locknut 1/4 - 20 UNC
31	8826M1	Woodruff Key 3/16 x 5/8 H.T.	89	1851H	Locknut 5/16 - 18 UNC
32	8847R	Brake Band Assy.	90	6599P	Hex Nut Thread Cutting Screw 1/4 - 20 UNC x 1/2 Type 23
33	673A29	Brake Bracket Weldment	91	1002P	*Lockwasher 1/4
34	673A27	Brake Rod Assy.	92	502P	*Hex Nut 1/4 - 20 UNC
35	676A365	*Hex Nut 3/8 - 16 UNC	94	3273P	*Hex Bolt 5/16 - 18 UNC x 1 Grad 1
36	501P	Turbocharger	95	1508P	*Washer 5/16 x 3/4 x 16 Ga.
38	8417H	Spring - Idler	96	3105P	*Hex Bolt 5/16 - 18 UNC x 7/8
39	8906R	Wash Guard	97	1537P	*Washer 11/32 x 11/16 x 16 Ga.
40	6638H	Belt Idler - Flat	98	3019P	*Hex Nut 5/16 - 18 UNC
41	8915R	Clutch Arm Link	99	8010P	*Hex Bolt 1/4 - 20 UNC x 3/4
42	8912R	Drilled Flat Head Rivet	100	1585P	Washer 9/32 x 1 - 1/4 x 16 Ga.
43	8949R	V-Idler Belt Guide	101	6602P	Cross Reptn Truss Head Thread Cutting Screw 1/4 - 20 UNC x 1/2 Type 23
45	673A162	Belt Idler Bracket Weldment	102	3027P	*Hex Bolt 3/8 - 16 UNC x 1 - 1/2
46	5091P	Flt. Ring	103	3114H	*Hex Bolt 1/4 - 20 UNC x 1/2
48	673A21	Belt Idler Support Assy.	104	3384P	*Hex Bolt 1/4 - 20 UNC x 1 - 1/4 Fu
49	8837R	Clutch Pivotal Arm	105	3019P	*Hex Bolt 3/8 - 16 UNC x 1/2
50	8836R	Safety Switch Arm	106	3033P	*Hex Bolt 5/16 - 24 UNF x 3/8
51	8906R	Spring Claws	108	2206P	*Cotter Pin 1/8 x 2/4
52	8911R	Drilled Flat Head Rivet	109	3386P	Hex Bolt 5/16 - 24 UNF x 2
53	8902R	Parking Brake Lock Bracket	110	3387P	Hex Jam Nut 5/16 - 24 UNF
54	1006L	Parking Brake Lock Bar			
55	8906R	Spring - Parking Brake			
56	673A18	Parking Brake Lever Weldment			
57	8911R	Control Knob - Parking Brake			
58	8908R	Bushing - Brake Lever			
59	8828R	Parking Brake Support			



### REPAIR PARTS

ROPER 11 H.P. GARDEN TRACTOR-MODEL NUMBER T12288R

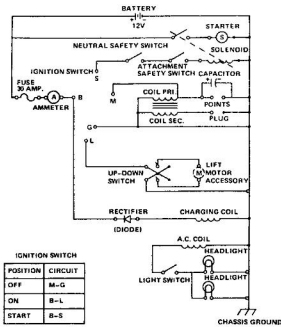
#### ELECTRICAL



### REPAIR PARTS

ROPER 11 H.P. GARDEN TRACTOR-MODEL NUMBER T12288R

#### ELECTRICAL



POSITION	CIRCUIT
OFF	M-C
ON	B-L
START	B-S

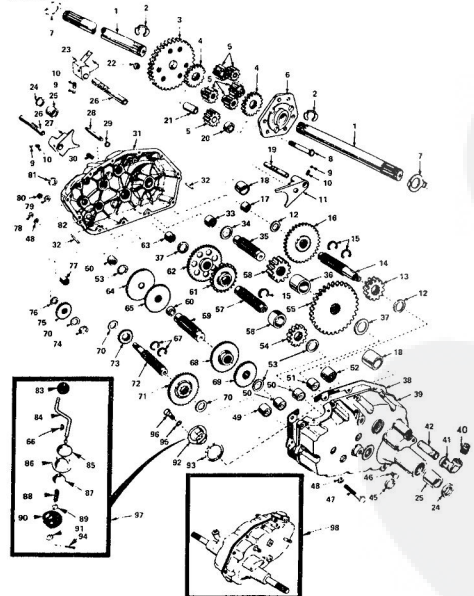
KEY NO.	PART NO.	DESCRIPTION	KEY NO.	PART NO.	DESCRIPTION
1	8452R	Headlight	29	303J	Wiring Harness
2	8031R	Wire - Headlight Ground	30	8964R	Battery Bolt
3	8764R	Headlight Clamp	31	3748M	Wing Nut 1/4 - 20 UNC
4	51J	Terminal Insulator (Dual)	32	8796R	Battery Hold Down
5	8856R	Terminal Insulator	34	3346P	Cross Section Trans Mt. Match. Screw No. 10 - 24 UNC x 1
6	103R	Solenoid Inc. Key No. 37 thru 40)	35	1006P	*Lockwasher No. 10
7	9277R	Battery Cable	36	506P	*Hex Nut No. 10 - 24 UNC
8	6347R	Fuse - 30 Amp.	37	527P	*Hex Nut No. 8 - 32 UNC
9	8808R	Starter Cable	38	1005P	*Lockwasher No. 8
10	7262	Battery	39	535P	*Hex Jam Nut 5/16 - 24 UNF
11	8881R	Ground Cable	41	3114P	*Lockwasher 5/16
12	9432R	Ammeter	42	1002P	*Lockwasher 1/4
13	9700R	Harness - Lift Motor	43	503P	*Hex Nut 1/4 - 20 UNC
14	4171R	Insulated Clip	44	542P	*Hex Nut No. 10 - 32 UNF
15	8984R	Lift Switch (Inc. Key No. 18)	45	1583P	Brass Washer No. 10
16	9246R	Up-Down Switch	47	5959P	*Hex Self-Tapping Screw No. 10 x 1/2 Type-23
17	7219R	Internal Tooth Lockwasher	48	3053P	*Hex Bolt 1/4 - 20 UNC x 3/4
18	546P	Hex Nut 15/32 - 32 NS	49	1506P	*Washer 8/32 x 5/8 x 16 Ga.
19	9697R	Ground Wire			
20	7783R	Light Switch			
21	7794R	Light Switch Knob			
24	2751H	Wire Clip			
25	7552H	Key and Ring Assembly			
26	4408R	Ignition Switch (Inc. Key No. 25)			
27	8257R	Terminal Identifier			
28	7755R	Safety Switch			

\*STANDARD HARDWARE - PURCHASE LOCALLY

### REPAIR PARTS

ROPER 11 H.P. GARDEN TRACTOR-MODEL NUMBER T12288R

#### TRANSAXLE



### REPAIR PARTS

ROPER 11 H.P. GARDEN TRACTOR-MODEL NUMBER T12288R

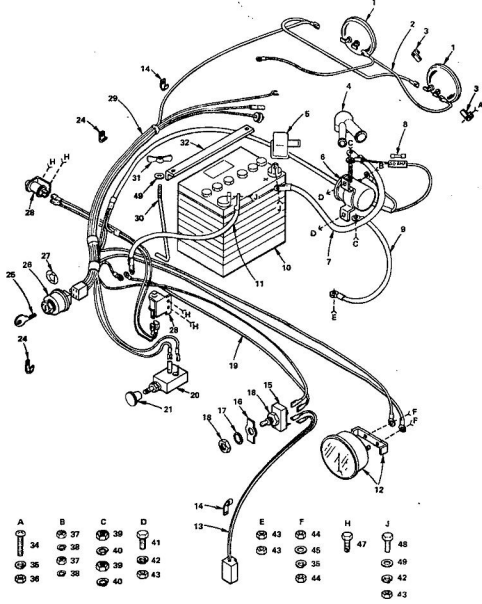
#### TRANSAXLE

KEY NO.	PART NO.	DESCRIPTION	KEY NO.	PART NO.	DESCRIPTION
1	4197R	Axle Shaft	49	4895H	Needle Bearing
2	5845R	Retaining Ring	50	4222R	Needle Bearing
3	4198R	Final Drive Gear	51	1528R	Needle Bearing
4	4216R	Differential Gear	52	8118M	Needle Bearing
5	4215R	Differential Pinion	53	4299R	Thrust Bearing Race
6	4217R	Differential Carrier	54	4299R	3rd Reduction Pinion - Low
7	6256R	Slide Thrust Washer	55	4213R	4th Reduction Gear
8	3056P	Hex Bolt 3/8 - 24 UNF x 3 - 1/4 (1" Thread Length)	56	4442R	3rd Reduction Pinion Spacer
9	7392M	Steel Ball	57	4198R	2nd Reduction Gear Shaft
10	6272H	Spring Shift Fork (Detent)	58	4214R	Final Drive Pinion
11	4980R	Shift Fork - High - Low Range	59	4194R	1st Reduction Gear Shaft
12	6256H	Thrust Bearing Race	60	7262R	1st Reduction Shaft Spacer
13	4212R	4th Reduction Pinion	61	4208R	3rd Reduction Pinion - High
14	4196R	3rd Reduction Gear Shaft	62	4207R	2nd Reduction Gear
15	6278H	Snap Ring - Crowned Type High - Low Range (Dist)	63	7398H	Needle Bearing
16	633A63	High - Low Range Gear	64	4203R	Low Speed Gear and 2nd Reduction Pinion Cluster
17	8118M	Needle Bearing	65	4204R	Reverse Gear
18	8140H1	Sintered Iron Bearing	66	7825M	Washnut 1/2 x 1/2
19	6217H	Shift Fork Shaft, High - Low Range	67	4826H	Snap Ring - Crowned Type Intermediate-Speed Gear
20	6218R	Differential Pinion Spacer	68	4205H	High Speed Gear
21	6252H1	Differential Pinion Bushing	69	4206R	Thrust Bearing Race
22	7810H	Spring Control Nut 3/8 - 24 UNF	70	1270H	Thrust Bearing Race Intermediate and High Speed Cluster Pinion
23	4988R	Shift Fork - L.H.	71	633A69	Intermediate and High Speed Cluster Pinion
24	7351R	Oil Seal	72	4193R	Input Shaft
25	92281	Sintered Iron Bearing	73	4201R	Low-Speed Pinion
26	6216H	Shift Fork Shaft	74	5001P	E-Ring
27	6262H	Shift Fork - R.H.	75	1153R	Reverse Idler Gear
28	9212R	Shift Fork, High - Low Range	76	7392H	Reverse Idler Thrust Washer
29	6269H	Oil Seal	77	5239H	Needle Bearing
30	5825H	Pressure Relief Valve	78	504P	*Hex Nut 5/16 - 18 UNC
31	633A65	Gearcase, Reverse Idler Shaft and Gearcase - R.H. (Inc. Key No. 1, 17, 18, 25, 26, 30, 43, 76, 77 and 82)	79	1167R	Sealing Washer
32	6272H	Down Pin	80	6270H	Oil Seal
33	4226R	Needle Bearing	81	6270H	Oil Seal
34	7398H	Thrust Bearing Race	82	7394H	Reverse Idler Shaft
35	4198R	4th Reduction Gear Shaft	83	6394H	Control Knob
36	4200R	4th Reduction Gear Spacer	84	9011R	Gear Shift Lever - Best
37	7395H	Thrust Bearing Race	85	2013R	Gear Shift Cap
38	6275H	Gearcase Gasket	86	633A68	Gear Shift Ball Cover and Pin
39	633A64	Gearcase and Bearings - L.H. (Inc. Key No. 18, 25, 49, 50 (2), 51 and 52)	87	6759H1	Shift Lever Guide Ball - Keyed
40	4002P	Pipe Plug 1/2 - 14 N.P.T.	88	4924H	Spring
41	4015P	Elbow 90° - 1/2 - 18 N.P.T.	89	1503P	*Washer 15/32 x 5/16 x 11 Ga.
42	4016P	Soft Flow Needle 1/2 - 14 N.P.T. x 3	90	9106R	3rd Mechanism Seal
43	6271H	Oil Seal	91	1509P	*Washer 9/16 x 15/16 x 11 Ga.
44	6267P	Pin Plus 1/4 - 18 N.P.T.	92	750	Gear Shift Latch
45	3027P	*Hex Bolt 5/16 - 18 x 1 1/2 G. x 5	93	6274H	Shift Ball Cover Gasket
46	1007P	Lockwasher 5/16 Extra Heavy	94	2005P	*Cover 1/8 - 3/8
			95	1003P	*Lockwasher 3/16
			96	2150P	*Hex Bolt 5/16 - 18 UNC x 7/8
			97	633A67	Gear Shift Lever Assy.
			98	633A66	Transaxle Assembly Less Brake Drum & Shift Lever Assy.

\*STANDARD HARDWARE - PURCHASE LOCALLY

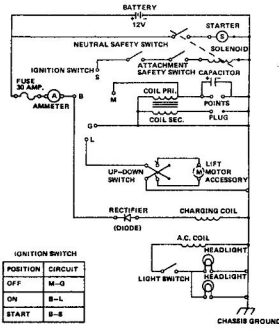
**REPAIR PARTS**

ELECTRICAL ROPER 11 H.P. GARDEN TRACTOR-MODEL NUMBER T1228AR



**REPAIR PARTS**

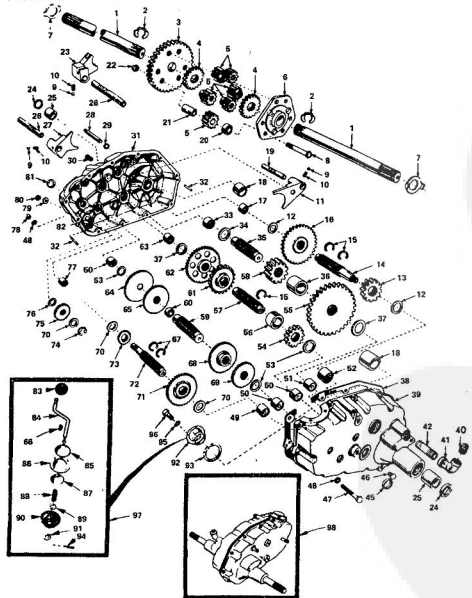
ELECTRICAL ROPER 11 H.P. GARDEN TRACTOR-MODEL NUMBER T1228AR



KEY NO.	PART NO.	DESCRIPTION	KEY NO.	PART NO.	DESCRIPTION
1	6452R	Headlight	29	303J	Wiring Harness
2	8031R	Wire-Headlight Ground	30	8864R	Battery Bolt
3	8794R	Headlight Clamp	31	3745M	Wing Nut 1/4 - 20 UNC
4	81J	Terminal Insulator (Dual)	32	8796R	Battery Hold Down
5	8866R	Terminal Insulator	34	3484P	Cross Recess Trans Hd. Mach. Screw No. 10 - 24 UNC x 1
6	103R	Solenoid (Inc. Key No. 37 thru 40)	35	1006P	*Lockwasher No. 10
7	8272R	Battery Cable	36	525P	*Hex Nut No. 10 - 24 UNC
8	8347R	Fuse - 30 Amp.	37	523P	*Hex Nut No. 8 - 32 UNC
9	8869R	Starer Cable	38	1006P	*Lockwasher No. 8
10	226J	Battery	39	538P	*Hex Jam Nut 5/16 - 24 UNF
11	8601R	Ground Cable	40	1006P	*Lockwasher 5/16
12	9433R	Ammeter	41	3114P	*Hex Bolt 1/4 - 20 UNC x 1/2
13	9000R	Hermes - Lift Motor	42	1006P	*Lockwasher 1/4
14	4717S	Insulated Dip	43	503P	*Hex Nut 1/4 - 20 UNC
15	8884R	Lift Switch (Inc. Key No. 18)	44	643P	*Hex Nut No. 10 - 32 UNF
16	8346R	Hex Nut 1/2 - 20 UNC	45	1883P	Brass Washer No. 10
17	7319R	Internal Tooth Lockwasher	47	5085P	Hex Bolt 1/4 - 20 UNC x 3/4
18	5866P	Hex Nut 1/2 - 20 UNC	48	3033P	*Hex Bolt 1/4 - 20 UNC x 3/4
19	9697R	Ground Wire	49	1506P	*Washer 8/32 x 5/8 x 16 Ga.
20	7792R	Light Switch			
21	7794R	Light Switch Knob			
22	7791R	Light Switch			
23	7522H	Key and Ring Assembly			
24	4406R	Ignition Switch (Inc. Key No. 25)			
25	8927R	Terminal Identifier			
26	7756R	Safety Switch			

**REPAIR PARTS**

TRANSAXLE ROPER 11 H.P. GARDEN TRACTOR-MODEL NUMBER T1228AR



**REPAIR PARTS**

TRANSAXLE ROPER 11 H.P. GARDEN TRACTOR-MODEL NUMBER T1228AR

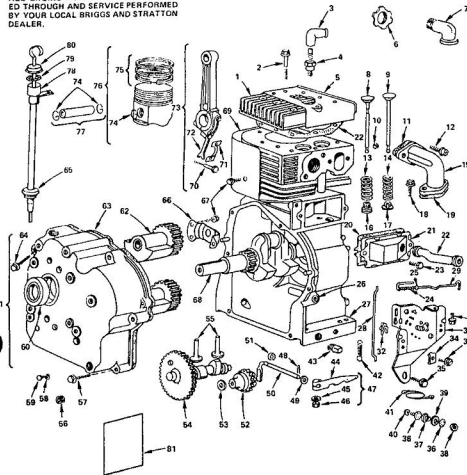
KEY NO.	PART NO.	DESCRIPTION	KEY NO.	PART NO.	DESCRIPTION
1	4197R	Axis Shaft	49	4895H	Needle Bearing
2	5845R	Paralleling Ring	50	4222R	Needle Bearing
3	4199R	Final Drive Gear	51	1529R	Needle Bearing
4	4216R	Differential Gear	52	8119M	Needle Bearing
5	4215R	Differential Pinion	53	4220R	Thrust Bearing Race
6	4217R	Differential Carrier	54	4209R	3rd Reduction Pinion-Spacer
7	6206R	Hex Bolt 3/8 - 24 UNF x 3 - 1/4 (11 Thread Length)	55	4212R	4th Reduction Gear
8	3066P	Steel Ball	56	4442R	2nd Reduction Pinion-Spacer
9	7392M	Spring Shift Fork Detent	57	4195R	2nd Reduction Gear Shaft
10	8272H	Shift Fork, High - Low Range	58	4214R	Final Drive Pinion
11	4865R	Thrust Bearing Race	59	4194R	1st Reduction Gear Shaft
12	4212R	4th Reduction Pinion	60	7258R	1st Reduction Shaft Spacer
13	4180R	3rd Reduction Gear Shaft	61	4208R	3rd Reduction Pinion - High
14	4181R	Snap Ring - Crescent Type	62	4207R	2nd Reduction Gear
15	8279H	High - Low Range Gears	63	7398H	Needle Bearing
16	8266G	Needle Bearing	64	4203R	Low Speed Gear and 2nd Reduction Pinion Cluster
17	8118M	Sintered Iron Bearing	65	4204R	Reverse Gear
18	8740H1	Shift Fork Shaft, High - Low Range	66	7855M	Woodruff Key 1/8 x 1/2
19	8252H1	Differential Pinion Spacing	67	4829H	Snap Ring, Crescent Type
20	4218R	Differential Pinion Spacing	68	4205R	Intermediate Speed Gear
21	8252H1	Differential Pinion Spacing	69	4206R	High Speed Gear
22	7810H	Groove Centerlock Nut 3/8 - 24 UNF	70	1370H	Thrust Bearing Race
23	4865R	Shift Fork - L.H.	71	6334G3	Intermediate and High Speed Cluster Pinion
24	7393R	Oil Seal	72	4192R	Input Shaft
25	9291S	Sintered Iron Bearing	73	4201R	Low Speed Pinion
26	6216H	Shift Fork Shaft	74	5001P	*E Ring
27	6201H	Shift Fork - R.H.	75	1153R	Reverse Idler Gear
28	9012R	Shift Shaft, High - Low Range	76	7392H	Reverse Idler Thrust Washer
29	8209H	Oil Seal	77	4202R	Needle Bearing
30	8856H	Pressure Relief Valve	78	504P	*Hex Nut 5/16 - 18 UNC
31	6334G6	Gearcase, Reverse Idler Shaft and Bearings - R.H. (Inc. Key No. 17, 18, 25, 35, 60, 63, 76, 77 and 82)	79	1160R	Sealing Washer
32	6277H	Dowel Pin	80	541P	Hex Jam Nut 7/16 - 20 UNF
33	4225R	Needle Bearing	81	6270H	Oil Seal
34	7398H	Thrust Bearing Race	82	7384H	Reverse Idler Shaft
35	4198R	4th Reduction Gear Shaft	83	6364H	Control Knob
36	4203R	4th Reduction Gear Spacer	84	9011R	Gear Shift Lever - Bent
37	7399H	Thrust Bearing Race	85	6012R	Gear Shift Cover and Pin
38	8275H	Gearcase Gasket	86	6334B5	Gear Shift Ball Cover and Pin
39	6334B4	Gearcase and Bearings - L.H. (Inc. Key No. 18, 25, 49, 50 (2), 61 and 82)	87	8739H1	Shift Lever-Groove Ball - Keyed Spring
40	4002P	Pipe Plug 1/2 - 14 N.P.T.	88	4924H	*Shift Mechanism Seal
41	4015P	Elbow 90° - 1/2 - 14 N.P.T.	89	1593P	*Washer 5/32 x 5/8 x 16 Ga.
42	4014P	Std. Pipe Nipple 1/2 - 14 N.P.T. x 3	90	8105R	Shift Mechanism Seal
43	6271H	Oil Seal	91	1699P	*Washer 5/16 x 5/16 x 11 Ga.
44	4001P	Pipe Plug 1/4 - 18 N.P.T.	92	743J	Gear Shift Gate
45	3037P	*Hex Bolt 5/16 - 18 x 1 - 1/2 Grade 5	93	6274H1	Shift Ball Cover Gasket
46	1007P	Lockwasher 5/16 Extra Heavy	94	2266P	*Cover 1 1/2 x 3 1/4
			95	1003P	*Lockwasher 5/16
			96	2169P	*Hex Bolt 5/16 - 18 UNC x 7/8
			97	6334B7	Gear Shift Lever Assy.
			98	6334B4	Transaxle Assembly Less Brake Drum & Shift Lever Assy.

### REPAIR PARTS

ROPER 11 H.P. GARDEN TRACTOR—MODEL NUMBER T12288R  
BRIGGS & STRATTON ENGINE—MODEL NUMBER 252417 TYPE 0130-01

#### CYLINDER AND CRANKCASE

ALL ENGINE PARTS MUST BE PURCHASED THROUGH AND SERVICE PERFORMED BY YOUR LOCAL BRIGGS AND STRATTON DEALER.



### REPAIR PARTS

ROPER 11 H.P. GARDEN TRACTOR—MODEL NUMBER T12288R  
BRIGGS & STRATTON ENGINE—MODEL NUMBER 252417 TYPE 0130-01

#### CYLINDER AND CRANKCASE

KEY NO.	PART NO.	DESCRIPTION	KEY NO.	PART NO.	DESCRIPTION
1	212300	Head, Cylinder	45	220620	Washer
2	9372J	Screw, Cylinder Head	46	231082	Nut, Hex No. 10 - 24
3	66026	Elbow, Spark Plug	47	391732	Lever Assy., Governor (Inc. Key No's. 45, 46 & 60)
4	23918	Plug, Spark	48	93306	Capnut, Hex Pin
5	222725	Cover, Cylinder Head	49	222950	Washer, Governor Crank
6	91180	Locknut, Nut	50	231057	Crank, Governor
7	91308	Elbow, 90° Street	51	83207	Governor, "E" Ring
8	201395	Valve, Intake	52	391737	Gear, Governor
9	261462	Valve, Intake	53	221551	Washer, Valve
10	93303	Retainer, Exhaust Valve	54	212298	Gear, Cam
11	210872	*Gasket, Intake Elbow	55	261193	Turret, Valve
12	202760	Screw, Intake Elbow	56	93418	Pin, Hex Socket
13	20829	Spring, Exhaust Valve	57	93895	Socket, Crankcase Cover
14	62901	Spring, Intake Valve	58	222355	Washer
15	212301	Elbow, Intake	59	93854	Screw, Plug
16	202760	Retainer, Intake Valve	60	201875	Suit, Oil
17	212306	*Gasket, Crankcase Mounting	61	391747	Cover Assy., Crankcase (Inc. Key No. 60)
18	93415	Screw, Crankcase Mounting	62	391481	Counterweight & Bearing Assy.
19	210297	*Gasket, Crankcase Mounting	63	210806	*Gasket, Crankcase
20	21823	Gasket, Valve Cover	64	93794	Screw, Crankcase Cover
21	301716	Breather Assy.	65	68839	Pin, Fillet
22	280112	Tube, Breather	66	93794	Screw, Crankcase Cover
23	93394	Screw, Breather Mfg.	67	222407	Retainer, Counterweight
24	261119	Spring, Choke Link	68	201291	Screw, Retainer & Cylinder Shield
25	222552	Washer, Choke Link	69	222744	Shaft, Cylinder
26	210565	Bushing, Governor Crank	70	92909	Screw, Connecting Rod
27	303413	Link, Governor Assy. (Inc. Key No. 26)	71	222299	Lock, Connecting Rod Screw
28	921208	Link, Governor	72	222323	Dupee, Connecting Rod
29	201289	Link, Choke	73	222299	Lock, Connecting Rod Screw
30	931198	Plate, Governor	74	391816	Rod Assy., Connecting (Inc. Key No's. 71, 72 & 73)
31	301533	Plate, Governor Control	75	260924	Lock, Piston Pin
32	207412	Smith, Shoe	76	391780	Ring, Seal, Piston
33	53459	Screw, Clamp	77	391785	Piston Assy., (Inc. Key No's. 75 & 76)
34	211585	Clamp, Cam	78	299881	Pin Assy., Piston (Inc. Key No. 75)
35	53335	Screw, Governor Plate	79	392283	Washer, Oil Filter
36	92791	Washer, Lock	80	270833	Seal, Oil Filter Cap
37	60284	Collar, Insulating	81	292295	Car and Donutlock, Oil Filter
38	90576	Nut, Hex No. 8 - 32	82	392295	Gasket Set
39	60284	Washer, Insulating			
40	93735	Screw, Terminal			
41	181094	Wax, Grease			
42	206595	Spring, Governor			
43	911602	Pin, Oil Drain			
44	92613	Bolt, Governor Lever			

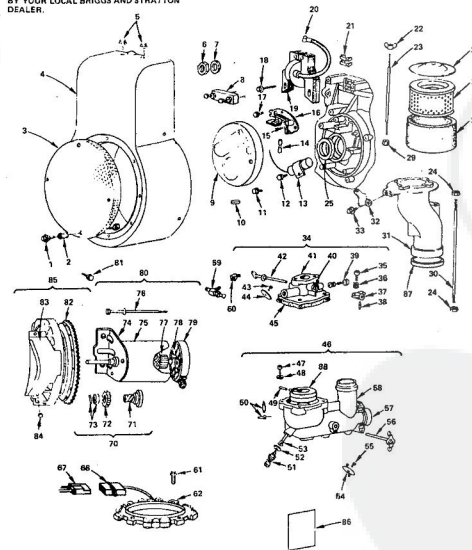
\*INCLUDED IN GASKET SET 293471

### REPAIR PARTS

ROPER 11 H.P. GARDEN TRACTOR—MODEL NUMBER T12288R  
BRIGGS & STRATTON ENGINE—MODEL NUMBER 252417 TYPE 0130-01

#### STARTER, FLYWHEEL & CARBURETOR GROUP

ALL ENGINE PARTS MUST BE PURCHASED THROUGH AND SERVICE PERFORMED BY YOUR LOCAL BRIGGS AND STRATTON DEALER.



### REPAIR PARTS

ROPER 11 H.P. GARDEN TRACTOR—MODEL NUMBER T12288R  
BRIGGS & STRATTON ENGINE—MODEL NUMBER 252417 TYPE 0130-01

#### STARTER, FLYWHEEL & CARBURETOR GROUP

KEY NO.	PART NO.	DESCRIPTION	KEY NO.	PART NO.	DESCRIPTION
1	03572	Screw, Screen	46	301831	Carburetor Assy., (Inc. Key No's. 47, 48, 49, 50, 51, 52, 53, 54, 55, 56, 57 & 58)
2	221187	Sprocket	47	90745	Screw, Machine 10 - 32 x 5/8
3	222627	Screen, Blower Housing	48	82290	Lockwasher No. 10
4	391502	Housing, Blower	49	230396	*Pin, Float Hinge
5	91185	Screen, Blower Housing	50	299096	Valve, Fuel Inlet
6	92284	Washer, Spring	51	99525	*Valve, Needle
7	208665	Palmer, Flywheel	52	68557	*Gasket, Needle
8	19203	Palmer, Flywheel	53	390990	*Nozzle, Carburetor
9	222359	Cover, Breaker Point	54	391836	Valve, Choke
10	61760	Key, Flywheel	55	93499	Screw, Choke Valve
11	93045	Screw, Cover	56	391637	Shaft & Lever, Choke
12	93045	Screw, Condenser	57	221747	Pin, Wedge
13	391792	Pumper, Breaker Point	58	298514	Float, Carburetor
14	92704	Breaker Assy., Ignition	59	390303	Connector & Shoulder Valve
15	20018	Spring, Breaker Arm	60	92780	Elbow, Connector
16	391294	Screw, Armature Mfg.	61	93821	Screw, Starter
17	93226	Screw, Armature Adjusting	62	391620	Stator, Alternator
18	93281	Screw, Armature Mfg.	63	394658	Diode and Comm. Assembly
19	298988	Armature Assembly	64	393362	Air, Harness Assembly
20	221798	Terminal, Ignition Cable	65	393418	Drive Assy., Starter (Inc. Key No's. 71, 72 & 73)
21	221907	Nut, Wing	71	391135	Clutch Assy., Starter
22	93653	Nut, Wing	72	280212	Gear, Starter
23	231124	Stud, Air Cleaner	73	391462	Retainer & Pin Assy.
24	90128	Nut, Hex 1/4 - 28	74	391751	Drive End Cap Assy., Starter
25	201086	Cap, Air Cleaner	75	392744	Housing Assy.
26	222724	Stud, Air Cleaner	76	391106	Thru Bolt Assy.
27	391028	Element, Air Cleaner	77	392747	Armature Assy.
28	210973	Element, Air Cleaner	78	390420	Blush Set
29	92278	Nut, Hex 1/4 - 20	79	260946	Commensurate End Cap
30	231144	Stud, Air Cleaner Adapter	80	392749	Motor, Starting (Inc. Key No's. 74, 75, 76, 77, 78 & 79)
31	212242	Adapter, Air Cleaner	81	93523	Screw, Drive End Cap
32	22272	Bracket, Adapter	82	392134	Cover, Flawless Ring
33	90468	Screw, Adapter Bracket	83	391629	Cover & Shield, Starter
34	301833	Body Assy., Upper Carburetor (Inc. Key No's. 25, 30, 37, 38, 39, 40, 41, 42, 43, 44 & 45)	84	93410	Screw, Starter Cover
35	91920	Screw, B - 32 x 5/8	85	391988	Flywheel & Ring Gear Assy., (Inc. Key No's. 82, 83 & 84)
36	28157	Spring, Throttle Adjustment	86	210705	Carburetor Overhaul Kit
37	61987	Pin, Throttle Stop	87	270805	Gasket, Air Cleaner Adapter to Carburetor
38	93043	*Valve Assy., Carburetor Idle	88	298514	Float, Carburetor
39	292681	Stop, Throttle			
40	22108	Bushing, Throttle Shaft			
41	298759	Block, Upper Carburetor			
42	391596	Shaft & Lever, Throttle			
43	93495	Screw, Throttle Valve			
44	221839	Screw, Throttle			
45	270268	*Gasket, Carburetor Body			

\*INCLUDED IN GASKET SET NO. 293421

\*INCLUDED IN CARBURETOR OVERHAUL KIT 391071

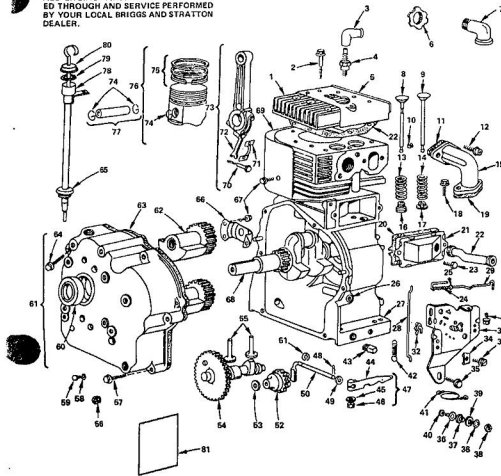


### REPAIR PARTS

ROPER 11 H.P. GARDEN TRACTOR-MODEL NUMBER T1228AR  
BRIGGS & STRATTON ENGINE-MODEL NUMBER 252417 TYPE 0130-01

#### CYLINDER AND CRANKCASE

ALL ENGINE PARTS MUST BE PURCHASED THROUGH AND SERVICE PERFORMED BY YOUR LOCAL BRIGGS AND STRATTON DEALER.



### REPAIR PARTS

ROPER 11 H.P. GARDEN TRACTOR-MODEL NUMBER T1228AR  
BRIGGS & STRATTON ENGINE-MODEL NUMBER 252417 TYPE 0130-01

#### CYLINDER AND CRANKCASE

KEY NO.	PART NO.	DESCRIPTION	KEY NO.	PART NO.	DESCRIPTION
1	212300	Head, Cylinder	45	220680	Washer
2	93723	Screw, Cylinder Head	46	221022	Nut, Hex No. 10 - 24
3	86638	Elbow, Spark Plug	47	391732	Lever Ass'y, Governor (Inc. Key No's 44, 45 & 46)
4	220918	Pin, Spark	48	93206	Cotter, Main Pin
5	222725	Cover, Cylinder Head	49	222450	Washer, Governor Crank
6	91210	Locknut, Nut	50	221027	Crank, Governor
7	91308	Elbow, 90° Street	51	93307	Retainer, "E" Ring
8	201189	Valve, Exhaust	52	391137	Retain, Cover
9	261462	Valve, Intake	53	221551	Washer, Thrust
10	93830	Retainer, Exhaust Valve	54	221258	Gear, Cam
11	220872	"Gasket, Intake Elbow	55	261183	Tappet, Valve
12	93208	Spring, Intake Valve	56	93816	Pin, Hex Socket
13	93828	Spring, Exhaust Valve	57	93885	Screw, Crankcase Cover
14	95906	Spring, Intake Valve	58	222956	Washer
15	212301	Elbow, Intake	59	93554	Screw, Plug
16	222260	Retainer, Intake Valve	60	201075	Stud, Oil
17	221566	Ratchet, Intake Valve	61	391747	Gover. Ass'y., Crankcase (Inc. Key No. 40)
18	93415	Screw, Carburetor Mounting	62	391481	Counterweight & Bearing Ass'y.
19	220607	"Gasket, Carburetor Mounting	63	220856	"Gasket, Crankcase
20	220803	"Gasket, Valve Cover	64	93796	Screw, Crankcase Cover
21	391575	Breather Ass'y.	65	68838	Seat, Filter Tube
22	280112	Tube, Breather	66	222407	Retainer, Counterweight
23	93294	Screw, Breather Mtg.	67	93294	Screw, Retainer & Cylinder Shield
24	261119	Tube, Choke Link	68	261291	Camshaft
25	222252	Washer, Choke Link	69	222744	Shield, Cylinder
26	221065	Bushing, Governor Crank	70	93299	Screw, Connecting Rod
27	393413	Cylinder Ass'y. (Inc. Key No. 25)	71	222259	Lock, Connecting Rod Screw
28	261235	Link, Choke	72	222222	Dupper, Connecting Rod
29	261289	Link, Choke	73	391816	Rod Ass'y., Connecting
30	93156	Screw, Governor Plate	74	260924	Lock, Piston Pin
31	391833	Plate, Governor Control	75	391780	Ring Set, Piston
32	297472	Switch, Stop	76	391295	Pin Ass'y., Piston (Inc. Key No's 75 & 76)
33	93469	Screw, Clamp	77	282253	Ring, Oil Filter Cap
34	221535	Clamp, Casing	78	220833	Seal, Oil Filter Cap
35	221536	Screw, Breaker Plate	79	392226	Cap and Distock, Oil Filter
36	92701	Washer, Lock	80	202421	Gasket Set
37	66654	Cap, Insulating	81		
38	90676	Nut, Hex No. 8 - 32			
39	66654	Cap, Insulating			
40	93735	Screw, Terminal			
41	291802	Wiring, Ground			
42	290208	Spring, Governor			
43	91084	Plug, Oil Drain			
44	92013	Roll, Governor Lever			

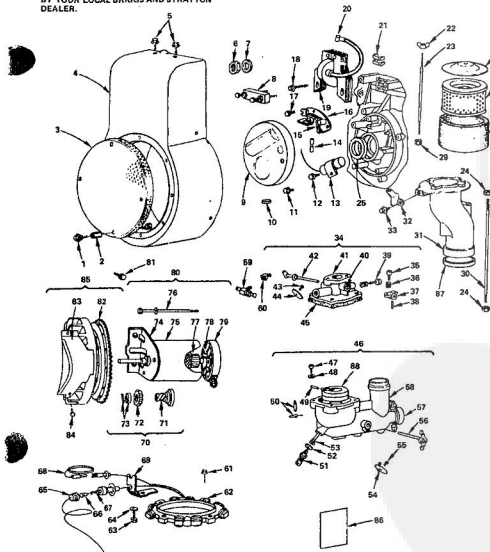
\*INCLUDED IN GASKET SET 202421

### REPAIR PARTS

ROPER 11 H.P. GARDEN TRACTOR-MODEL NUMBER T1228AR  
BRIGGS & STRATTON ENGINE-MODEL NUMBER 252417 TYPE 0130-01

#### STARTER, FLYWHEEL & CARBURETOR GROUP

ALL ENGINE PARTS MUST BE PURCHASED THROUGH AND SERVICE PERFORMED BY YOUR LOCAL BRIGGS AND STRATTON DEALER.



### REPAIR PARTS

ROPER 11 H.P. GARDEN TRACTOR-MODEL NUMBER T1228AR  
BRIGGS & STRATTON ENGINE-MODEL NUMBER 252417 TYPE 0130-01

#### STARTER, FLYWHEEL & CARBURETOR GROUP

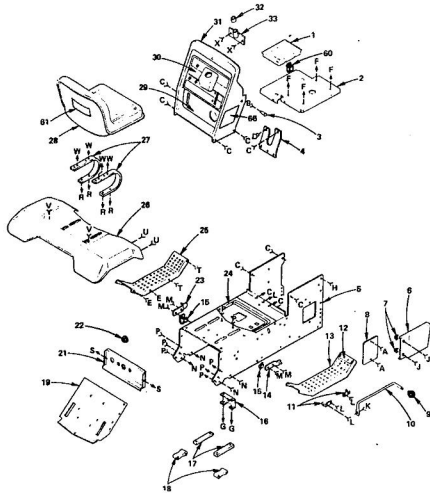
KEY NO.	PART NO.	DESCRIPTION	KEY NO.	PART NO.	DESCRIPTION
1	93572	Screw, Screen	48	391831	Carburetor Ass'y. (Inc. Key No's 47, 48, 49, 50, 51, 52, 53, 54, 55, 56, 57 & 58)
2	231187	Spacer	49	90748	Screw, Machine 10 - 32 x 5/8
3	222697	Screen, Blower Housing	46	92290	Lidwasher No. 10
4	291502	Housing, Blower	47	220898	+Pin, Float Hinge
5	93158	Screen, Blower Housing	50	220908	+Valve, Fuel Inlet
6	92284	Nut, Hex	51	95525	+Valve, Needle
7	220865	Washer, Spring	52	68587	+Gasket, Nozzle
8	192503	Pulley, Flywheel	53	390950	+Nozzle, Carburetor
9	220865	Washer, Spring	54	391636	Valve, Choke
10	61760	Key, Flywheel	55	34489	Screw, Choke Valve
11	93014	Screw, Cover	56	391637	Shaft & Lever, Choke
12	93042	Screw, Cover	57	221747	Pin, Watch
13	261799	Condenser	58	288514	Float, Carburetor
14	66704	Pulley, Breaker Point	59	390823	Connector & Shut-off Valve
15	26018	Spring, Breaker Arm	60	92780	Elbow, Connector
16	391394	Breaker Ass'y., Ignition	61	932571	Screw, Stator
17	93226	Screw, Breaker Adjusting	62	391520	Stator, Alternator
18	93261	Screw, Armature Mtg.	63	93398	Screw, Bracket
19	298908	Armature Assembly	64	390888	Knob Ass'y., Fuse
20	221798	Terminal, Ignition Cable	65	391027	Diode, Alternator
21	221907	Clip, Wire	67	261299	Spring, Diode
22	39463	Nut, Wing	68	390827	Wire Ass'y., Alternator
23	221124	Stud, Air Cleaner	69	222211	Bracket, Output
24	95129	Nut, Hex 1/4 - 28	70	393418	Wire Ass'y., Starter (Inc. Key No's 71, 72 & 73)
25	391686	Seal, Oil	71	391135	Clutch Ass'y., Starter
26	222724	Cup, Air Cleaner	72	282212	Gear, Starter
27	292295	Cartridge, Air Cleaner	73	391482	Retainer & Pin Ass'y.
28	220973	Element, Air Cleaner	74	391751	Drive End Cap Ass'y., Starter
29	22279	Nut, Hex 1/4 - 20	75	392744	Housing Ass'y.
30	251144	Stud, Air Cleaner Adapter	76	391206	Thru Bolt Ass'y.
31	222722	Bracket, Adapter	77	392747	Armature Ass'y.
32	222722	Screw, Adapter Bracket	78	392426	Bush Set
33	93469	Body Ass'y., Upper Carburetor (Inc. Key No's 36, 38, 37, 38, 39, 40, 41, 42, 43, 44 & 45)	79	392945	Commutator End Cap
34	391633	Screw, Adapter Bracket	80	392749	Motor, Starter (Inc. Key No's 74, 75, 76, 77, 78 & 79)
35	91920	Screw, 5 - 32 x 5/8	81	93523	Screw, Drive End Cap
36	39157	Spring, Throttle Adjustment	82	392134	Screw, Flywheel Ring
37	61867	Stop, Throttle	83	391629	Cover & Shield, Starter
38	92043	Pin, Throttle Stop	84	93410	Screw, Starter Cover
39	292681	+Valve Ass'y., Carburetor Jet	85	391888	Flywheel & Ring Gear Ass'y. (Inc. Key No's 82, 83 & 84)
40	22106	Bushing, Throttle Shaft	86	391071	Carburetor Overhaul Kit
41	298759	Body, Upper Carburetor	87	220898	Gasket, Air Cleaner Adapter to Carburetor
42	391595	Shaft & Lever, Throttle	88	298514	Float, Carburetor
43	93469	Screw, Throttle Valve			
44	221939	Valve, Throttle			
45	220268	+Gasket, Carburetor Body			

\*INCLUDED IN GASKET SET NO. 393421

\*INCLUDED IN CARBURETOR OVERHAUL KIT 391071

**REPAIR PARTS**

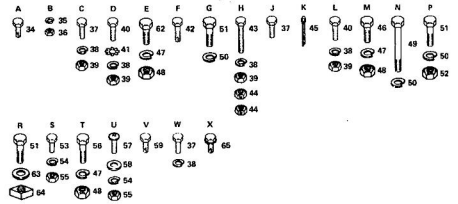
ROPER 14 H.P. GARDEN TRACTOR—MODEL NUMBER T4328AR  
CHASSIS, FENDER & DASHBOARD



**REPAIR PARTS**

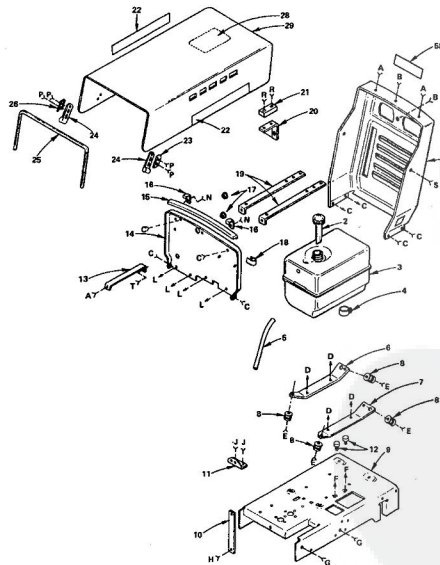
ROPER 14 H.P. GARDEN TRACTOR—MODEL NUMBER T4328AR  
CHASSIS, FENDER & DASHBOARD

KEY NO.	PART NO.	DESCRIPTION	KEY NO.	PART NO.	DESCRIPTION
1	885SR	Battery Tray	36	505P	*Hex Nut No. 10 - 24 UNC
2	8797R	Tank & Battery Support	37	3003P	*Hex Bolt 5/16 - 18 UNC x 5/8
3	8798R	Hood Latch Pin	38	1003P	*Lockwasher 5/16
4	8792R	Tank & Battery Support Brace	39	504P	*Hex Nut 5/16 - 18 UNC
5	8608R	Chassis Channel	40	3010P	*Hex Bolt 5/16 - 18 UNC x 3/4
6	8791R	Engine Fuel Cover	41	1403P	*Ext. Tooth Lockwasher 5/16
7	8918R	Nut Retainer	42	9503P	Hex Head Thread Cutting Screw 5/16 - 18 UNC x 1 1/2 Type 23
8	8600R	Channel Access Cover	43	3373P	Hex Bolt 5/16 - 18 UNC x 1 - 1/2 Full Thd
9	6394H	Control Knob	44	1889H	Locknut 5/16
10	8758R	Range Shift Rod	45	2511P	*Cotter Pin 3/16 x 1
11	8818R	Range Shift Rod Bracket	46	3023P	*Hex Bolt 3/8 - 16 UNC x 7/8
12	8900R	Decal - Attachment Clutch	47	1004P	*Lockwasher 3/8
13	8940R	Foot Rest - R.H.	48	501P	*Hex Nut 3/8 - 16 UNC
14	673A33	Suspension Arm Bracket Weldment - R.H.	49	3165P	Hex Bolt 7/16 - 14 UNC x 2 - 1/4
15	2751R	Clip - Fuel Line	50	1001P	*Lockwasher 7/16
16	8628R	Transaxle Bracket	51	3034P	Hex Bolt 7/16 - 14 UNC x 1
17	155J	Seat Spring Lock Plate	52	509P	*Hex Bolt 1/4 - 20 UNC x 1/2
18	8248R	Transaxle Spacer	53	114P	*Lockwasher 1/4
19	673A65	Drawbar Assembly	54	1002P	*Hex Nut 1/4 - 20 UNC
20	237J	Chassis Channel Cover	55	3023P	*Hex Bolt 3/8 - 16 UNC x 1
21	3807R	Universal Bushing	56	3023P	*Hex Bolt 3/8 - 16 UNC x 1
22	673A38	Suspension Arm Bracket Weldment - L.H.	57	3388P	*Cross Recess Truss Head Machine Screw 1/4 - 20 UNC x 5/8 - 16 Ga
23	8888R	Decal - Shift Pattern	58	1508P	Hex Head Thread Cutting Screw 5/16 - 18 UNC x 1/2 Type 23
24	8641R	Foot Rest - L.H.	59	5600P	*Hex Bolt 5/16 - 18 UNC x 1 1/2 Type 23
25	8500R	Fender	60	4171R	Insulation Clip
26	8768R	Seat	61	245J	Decal - Roper
27	472J	Seat	62	3021P	*Hex Bolt 3/8 - 16 UNC x 3/4
28	199J	Decal - Lower Dashboard	63	193P	*Washer 15/32 x 5/8 x 10 Ga
29	192J	Decal - Upper Dashboard	64	868P	Sawtooth Nut 7/16 - 14 UNC
30	163J	Dashboard	65	5606P	Hex Washer Hd. Thrd. Cutting Screw 1/4 - 20 UNC x 1/2 Type 23
31	8038R	Brake	66	244J	Decal - 14 H.P.
32	673A66	Steering Bracket & Bearing (Inc. Key No. 23)	---	912J	Warranty - Fac Tag
33	5699P	Hex Head Thread Cutting Screw 1/4 - 20 UNC x 1/2 Type 23	---	236J	Owner's Manual
34	1006P	Lockwasher No. 10	---	---	*STANDARD HARDWARE-PURCHASE LOCALLY



**REPAIR PARTS**

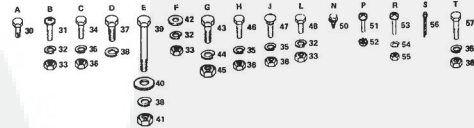
ROPER 14 H.P. GARDEN TRACTOR—MODEL NUMBER T4328AR  
ENGINE MOUNT, HOOD & GRILL



**REPAIR PARTS**

ROPER 14 H.P. GARDEN TRACTOR—MODEL NUMBER T4328AR  
ENGINE MOUNT, HOOD & GRILL

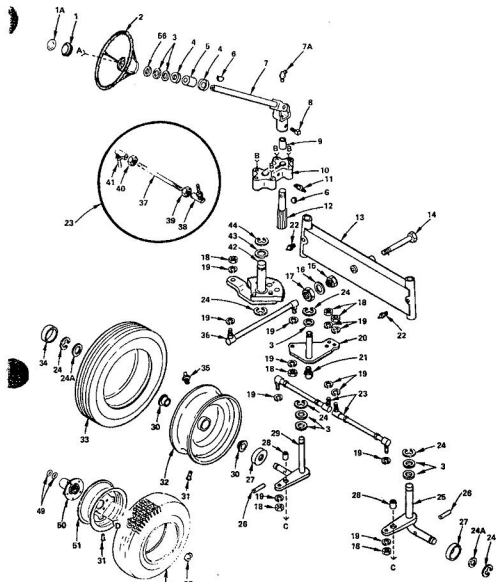
KEY NO.	PART NO.	DESCRIPTION	KEY NO.	PART NO.	DESCRIPTION
1	885SR	Grill	33	805P	*Hex Nut 1/4 - 20 UNC
2	8898R	Fuel Gauge	34	3008P	*Hex Bolt 5/16 - 18 UNC x 5/8
3	36J	Fuel Tank	35	1003P	*Lockwasher 5/16
4	8877R	Hose Clamp	36	504P	*Hex Nut 5/16 - 18 UNC
5	8608R	Fuel Line - Overflow	37	3022P	*Hex Bolt 3/8 - 16 UNC x 7/8
6	8300R	Engine Isolator Mounting Bracket - L.H.	38	1004P	*Lockwasher 3/8
7	8305R	Engine Isolator Mounting Bracket - R.H.	39	3238P	Hex Bolt Full Thread 3/8 - 16 UNC 2 - 1/4
8	673A124	Eng-Mount Assy	40	1589P	Washer 13/32 x 1 - 1/4 x 12 Ga.
9	673A176	Engine Base Weldment	41	501P	*Hex Nut 3/8 - 16 UNC
10	8818R	Engine Base Brace	42	1508P	*Washer 9/32 x 5/8 x 16 Ga.
11	8900R	Safety Switch Bracket	43	3034P	Hex Bolt 7/16 - 14 UNC x 1
12	9394R	Snubber Mount	44	1001P	*Lockwasher 7/16
13	8765R	Dashboard Brace	45	500P	*Hex Nut 7/16 - 14 UNC
14	8784R	Heat Shield	46	3010P	*Hex Bolt 5/16 - 18 UNC x 3/4
15	8938R	Sealing Strip	47	16P	*Std. Neck Carriage Bolt 5/16 - 18 UNC x 3/4
16	8934R	Sealing Strip Clamp	48	3114P	*Hex Bolt 1/4 - 20 UNC x 1/2
17	8151R	Snub Bushing	49	5601P	Hex Washer Head Sheet Metal Screw No. 10 x 3/8 Type AB
18	4171R	Insulated Clip	50	9601P	Hex Washer Head Sheet Metal Screw No. 10 - 24 UNC x 1/2
19	8781R	Grill Brace	51	3320P	*Keps Nut No. 10 - 24 UNC
20	8932R	Grill Bracket	52	3003P	*Cross Recess Pan Head Machine Screw No. 10 - 24 UNC x 3/4
21	9042P	Rubber Bumper	53	3003P	*Cross Recess Pan Head Machine Screw No. 10 - 24 UNC x 3/4
22	242J	Decal - Roper	54	1009P	*Lockwasher No. 10
23	8938R	Hood Latch Cover - R.H.	55	505P	*Hex Nut No. 10 - 24 UNC
24	8888R	Hood Latch Cover - L.H.	56	2503P	*Cotter Pin 3/32 x 3/16
25	8037P	Hood Strip	57	3011P	*Hex Bolt 5/16 - 18 UNC x 1
26	8015R	Hood Latch Cover - L.H.	58	295J	Decal - Roper Logo
27	8028R	Decal - Maintenance	---	---	---
28	673A163	Hood Pin	---	---	---
29	6600P	Hex Washer Head Thread Cutting Screw 5/16 - 18 UNC x 1/2 Type 23	---	---	---
30	6600P	*Cross Recess Truss Head Machine Screw 1/4 - 20 UNC x 3/4	---	---	---
31	3077P	Lockwasher 1/4	---	---	---
32	1002P	Lockwasher 1/4	---	---	---



### REPAIR PARTS

ROPER 14 H.P. GARDEN TRACTOR-MODEL NUMBER T4328AR

#### STEERING AND FRONT AXLE



### REPAIR PARTS

ROPER 14 H.P. GARDEN TRACTOR-MODEL NUMBER T4328AR

#### STEERING AND FRONT AXLE

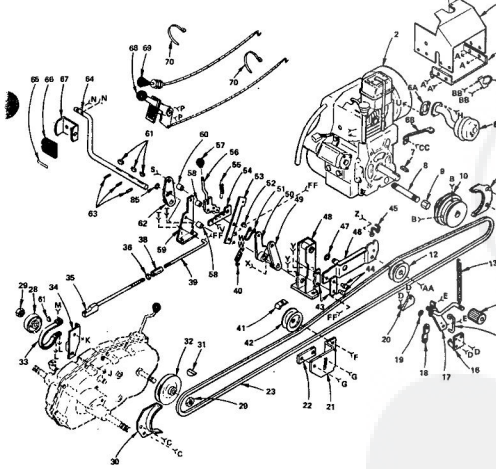
KEY NO.	PART NO.	DESCRIPTION	KEY NO.	PART NO.	DESCRIPTION
1	9719R	Steering Wheel Cap	29	673A19	Spindle Weldment - L.H.
1A	225J	Direct Steering Wheel Cap	30	6640R	Flange Bearing
2	2044R	Steering Wheel	31	795A	Line Valve
3	1522P	Washer 49/64 x 1 - 1/4 x 16 Ga.	32	3636R	Front Wheel (Inc. Key No's 20 & 29)
4	9007H	Cap - Steering Tube	33	2636R	Front Tire - Tubeless 18 x 6.50 - 8
5	5949H	Rubber Bushing	34	2118R	Dust Cap
6	9258M1	Woodruff Key	35	6659M	Grease Fitting
7	9822R	U-Joint (Inc. Key No. 7A)	36	8865R	Steering Drag Link
7A	9027R	Grease Fitting	37	673A20	Tie Rod (Inc. Key No's 39 & 40)
8	4505P	Sp. Hd. Set Screw 3/8 - 10 UNC x 1/2	38	8922R	Tie Rod Joint - L.H. Thread
9	181J	Tie Joint Spacer	39	547P	*Hex Jam Nut 3/8 - 24 UNF - L.H.
10	8839R	Steering Support Bracket	40	546P	*Hex Jam Nut 3/8 - 24 UNF
11	6842M	Steering Pinion	41	8821R	Tie Rod Joint - R.H. Thread
12	157J	Grease Fitting	42	673A17	Steering Sector Assy.
13	673A20	Front Axle Weldment	43	1563P	Washer 57/64 x 1 - 1/4 x 16 Ga.
14	8916R	*Washer 21/32 x 1 - 5/16 x 13 Ga.	44	6017P	E-Ring
15	156J	Shoulder Nut	45	3022P	*Hex Bolt 3/8 - 16 UNC x 1
16	1503P	*Hex Bolt 3/8 - 16 UNC x 1 - 3/4	46	3028P	*Hex Bolt 3/8 - 16 UNC x 1 - 3/4
17	522P	*Hex Jam Nut 3/8 - 13 UNC	47	3028P	*Hex Bolt 3/8 - 16 UNC x 1 - 3/4
18	515P	*Hex Nut 3/8 - 24 UNF	48	5017P	*Hex Bolt 3/8 - 16 UNC
19	1004P	*Lockwasher 3/8	49	7583R	Axle Thrust Washers
20	673A20	Steering Bell Crank Weldment	50	65A4822	Wheel Hub and Bushing
21	6653M	Grease Fitting	51	3636R	Rear Wheel
22	6652M	Grease Fitting	52	3786R	Rear Tire - Tubeless 23.0 x 8.50 - 12
23	673A15	Steering Tie Rod (Inc. Key No's 37 thru 41)	53	6849R	E-Ring
24	1569P	Washer 49/64 x 1 - 5/8 x 16 Ga.	54	1204H	Hub Bolt
25	673A20	Spindle Weldment - R.H.	55	3022P	*Hex Bolt 3/8 - 16 UNC x 7/8
26	9258R	Woodruff Key	56	1591H	*Hex Bolt 3/8 - 16 UNC x 7/8
27	8788R	Dust Cup - Inner			
28	8807H	Bushing - Steering Stop			



### REPAIR PARTS

ROPER 14 H.P. GARDEN TRACTOR-MODEL NUMBER T4328AR

#### CLUTCH BRAKE & DRIVE

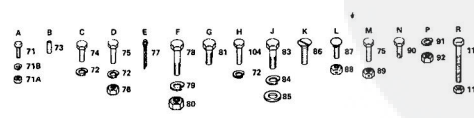


### REPAIR PARTS

ROPER 14 H.P. GARDEN TRACTOR-MODEL NUMBER T4328AR

#### CLUTCH BRAKE & DRIVE

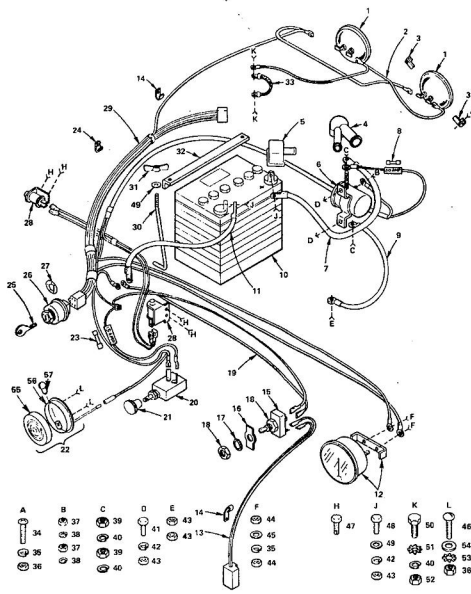
KEY NO.	PART NO.	DESCRIPTION	KEY NO.	PART NO.	DESCRIPTION
2	CH140	Engine - 14 H.P. Tecumseh	63	2228R	Woodruff Key 3/16 x 3/4 H.T.
3	15020R	Heat Deflector - Upper	64	8635R	Roll Pin
4	9585R	Heat Deflector - Lower	65	6142H	Roll Pin
5	673A75	Muffler Clamp (Inc. Key No's 72 & 76)	66	6760R	Foot Pedal Shaft
6	421J	Muffler	67	8883R	Inert - Clutch-Brake
6A	2049R	Muffler Gasket	68	9699R	Foot Pedal
6B	9223P	Exhaust Pipe Flange	69	6760R	Foot Pedal Bracket
7	9096E	Oil Drain Pipe 3/8 - 18 NPT x 3 - 1/2	69	8269R	Throttle Control
8	4011P	Drain Pipe Cap 3/8 - 18 NPT	70	8108R	Cable Tie
9	673A28	Engine Pulley & Set Screws	71	9216P	*Hex Nut Socket Head Stud Screw 3/8 - 1/2
11	164J	Inc. Key No. 72	71A	666P	*Hex Nut No. 10 - 24 UNC
12	8968R	Spring - Mower Clutch	71B	1008P	*Lockwasher No. 10
13	8968R	Belt Idler - V Groove	72	1003P	*Lockwasher 5/16
14	8968R	Spring - Mower Clutch	73	4546P	*Hex Forged Socket Headless Set Screw 5/16 - 18 UNC x 1/2
15	9263R	Clutch Spring Hanger	74	3006P	*Hex Bolt 5/16 - 18 UNC x 5/8
16	673A105	Clutch Lever Bracket Assy.	76	604P	*Hex Bolt 5/16 - 18 UNC x 3/4
17	673A106	Clutch Lever Weldment	77	5006P	Center Pin 1/8
18	8827R	Clutch Link - Lower	78	3636P	*Hex Bolt 7/16 - 14 UNC x 1 - 1/2
19	5018P	Retaining Ring	79	1001P	*Lockwasher 7/8
20	8828R	Clutch Bracket - Inner	80	600P	*Hex Bolt 7/8 - 14 UNC
21	8828R	Clutch Bracket - Outer	81	9221P	*Hex Bolt 3/8 - 16 UNC x 3/4
22	8719R	Idler Bracket Lock Plate	83	3022P	*Hex Bolt 3/8 - 16 UNC x 7/8
23	8845R	Ground Drive Belt	84	1004P	*Lockwasher 3/8
24	214J	Clutch Drum	85	1813P	Washer 13/32 x 13/16 x 16 Ga.
25	9204H	Locknut 1/2 - 20 UNF	85	3164P	Undercut Flat Head Mach. Screw 3/8 - 16 UNC x 3/4
26	8829R	Transaxle Pulley Belt Guide			
31	8858M1	Woodruff Key	87	10P	*Sp. Neck Carriage Bolt 1/4 - 20 UNC x 1/2
32	8847H	Brake Band Assy.	88	1605H	Locknut 1/4 - 20 UNC
33	673A25	Brake Band Weldment	89	1825H	*Lockwasher 5/16 - 18 UNC
34	673A27	Brake Rod Assy.	90	8599P	*Hex Hd. Thread Cutting Screw 1/4 - 20 UNC x 1/2 Type 23
35	673A28	Brake Rod Assy.	91	1002P	*Lockwasher 1/4
36	546P	*Hex Nut 3/8 - 18 UNC	92	603P	*Hex Bolt 1/4 - 20 UNC
38	6417H	Turnbuckle	94	3275P	*Hex Bolt 5/16 - 18 UNC x 1 Grade 5
39	8829R	Brake Rod - Front	95	1506P	Washer 5/16 x 3/4 x 16 Ga.
40	8968R	Spring	96	3156P	*Hex Bolt 5/16 - 18 UNC x 7/8
41	8829R	Belt Idler - Flat	97	1575P	Washer 11/32 x 17/16 x 16 Ga.
42	8829R	Clutch Arm Link	98	3003P	*Hex Bolt 1/4 - 20 UNC x 3/4
43	8912R	Drilled Flat Head Rivet	100	1005P	Washer 9/32 x 1 - 1/4 x 16 Ga.
44	8848R	V - Idler Belt Guide	101	8502P	Cross Rees Truss Head Thread Cutting Screw 1/4 - 20 UNC x 1/2 Type 22
45	673A162	Belt Idler Bracket Weldment	102	3022P	*Hex Bolt 3/8 - 16 UNC x 1 - 1/2
46	5017P	*Hex Bolt 3/8 - 16 UNC	103	601H	*Hex Bolt 3/8 - 16 UNC
48	673A21	Belt Idler Support Assy.	104	3011P	*Hex Bolt 5/16 - 18 UNC x 3/4 G. 5
49	8827R	Clutch Drive Arm	105	6546P	*Hex Hd. Self-Drilling Screw No. 10 x 3/8 Type 22
50	8828R	Safety Switch Arm	106	1804P	Hex Washer Head Sheet Metal Screw No. 12 x 1/2 Type A8
51	8828R	Safety Switch Arm	107	5503P	Hex Washer Head Sheet Metal Screw No. 12 x 1/2 Type A8
52	8911R	Drilled Flat Head Rivet	108	1566P	Washer 1/4 x 9/16 x 16 Ga.
53	9220R	Parking Brake Lock Bracket	109	2056P	Center Nut 1/8 - 204
54	1068J	Parking Brake Lock Bar	110	607P	*Hex Jam Nut 5/16 - 18 UNC
55	8948R	Spring - Parking Brake	111	3211P	*Hex Bolt 5/16 - 18 UNC x 2 - 3/4
56	673A18	Parking Brake Lever Weldment			
57	8817R	Control Knob - Parking Brake			
58	8808R	Bushing - Brake Lever			
59	8822R	Parking Brake Support			
60	8909R	Bushing - Lock Bar			
60A	2011P	*Hex Bolt 5/16 - 18 UNC x 1			



### REPAIR PARTS

ROPER 14 H.P. GARDEN TRACTOR-MODEL NUMBER T4328AR

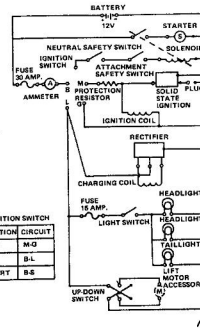
#### ELECTRICAL



### REPAIR PARTS

ROPER 14 H.P. GARDEN TRACTOR-MODEL NUMBER T4328AR

#### ELECTRICAL

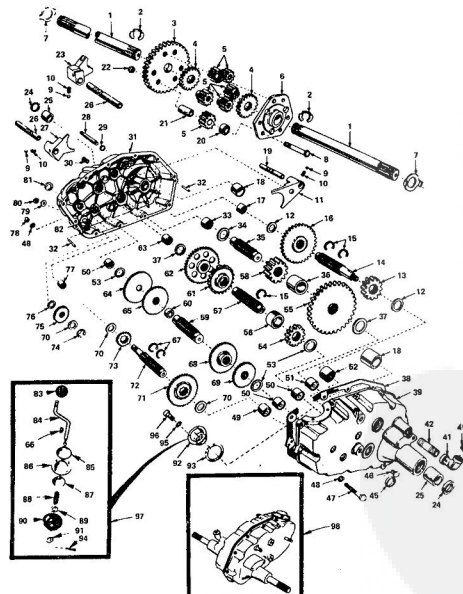


KEY NO.	PART NO.	DESCRIPTION	KEY NO.	PART NO.	DESCRIPTION
1	8452R	Headlight	32	8788R	Battery Hold Down
2	8031R	Wire - Headlight Ground	33	8288R	Ground Strap
3	874R	Headlight Glass	34	3348P	Cross Thread Trust Hd. Mesh. Screw No. 10 - 24 UNC x 1
4	51J	Terminal Insulator (Dual)	35	1006P	"Lockwasher No. 10
5	856R	Terminal	36	805P	"Hex Nut No. 10 - 24 UNC
6	103H	Solenoid (Inc. Key No. 37 thru 40)	37	527H	"Hex Nut No. 8 - 32 UNC
7	8271R	Battery Cable	38	1002P	"Lockwasher No. 8
8	6347R	Fuse - 30 Amp.	39	832P	"Hex Nut 1/8 - 20 UNF
9	800R	Starter	40	1003P	"Lockwasher 1/8
10	228L	Battery	41	3116P	"Hex Nut 1/8 - 20 UNF x 1/2
11	8681R	Ground Cable	42	1002P	"Lockwasher 1/8
12	9433R	Ammeter	43	802P	"Hex Nut 1/4 - 20 UNF
13	970R	Horn - LH Motor	44	543P	"Hex Nut No. 10 - 32 UNF
14	4117R	Insulated Clip	45	1052P	Brass Washer No. 10
15	896R	L2 Switch (Inc. Key No. 18)	46	3074P	Socket Head Hex. Mech. Screw No. 10 - 24 x 3/4
16	8348R	Up-Down Plate	47	5959P	"Hex Self-Drilling Screw No. 10 x 1/2 Type 23
17	7318R	Internal Tooth Lockwasher	48	3003P	"Hex Bolt 1/4 - 20 UNC x 3/4
18	865R	Ground	49	1506P	"Washer 9/32 x 5/8 x 18 Ga.
19	7795R	Light Switch	50	301P	"Hex Bolt 5/16 - 18 UNC x 3/4
20	7796R	Light Switch Knob	51	1483P	"Ext. Tooth Lockwasher 5/16
21	8282H	Tailight (Inc. Key No's. 55, 56 and 57)	52	1002P	"Lockwasher 1/8
22	7215R	Fuse 15 Amp.	53	1002P	"Lockwasher 1/8
23	7215R	Wire Clip	54	1506P	"Washer 7/32 x 1/2 x 18 Ga.
24	7052H	Key - 15 Amp.	55	8292H	"Floures. Tailight Bulb No. 1895 (2 Candle Power)
25	4406R	Ignition Switch (Inc. Key No. 26)	56	8292H	"Floures. Tailight Bulb No. 1895 (2 Candle Power)
26	8651R	Terminal Identifier	57	8291H	"Floures. Tailight Bulb No. 1895 (2 Candle Power)
27	7755R	Safety Switch			
28	241J	Wing Nut			
29	8854R	Battery Bolt			
30	3748M	Wing Nut 1/4 - 20 UNC			

### REPAIR PARTS

ROPER 14 H.P. GARDEN TRACTOR-MODEL NUMBER T4328AR

#### TRANSAXLE



### REPAIR PARTS

ROPER 14 H.P. GARDEN TRACTOR-MODEL NUMBER T4328AR

#### TRANSAXLE

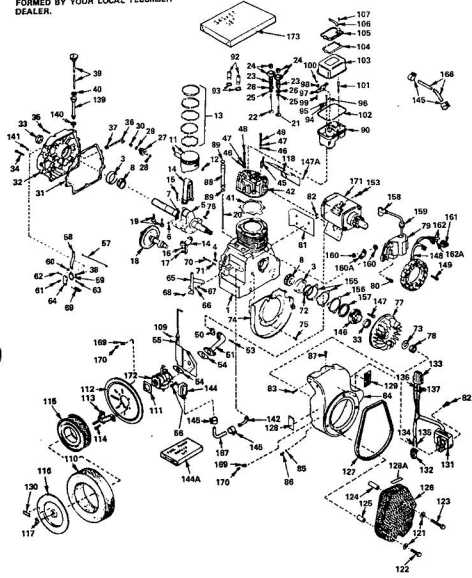
KEY NO.	PART NO.	DESCRIPTION	KEY NO.	PART NO.	DESCRIPTION
1	4107R	Axle Shaft	49	4805H	Needle Bearing
2	8845R	Retaining Ring	50	4222R	Needle Bearing
3	4199R	Final Drive Gear	51	1523R	Needle Bearing
4	4218R	Differential Pinion	52	8119M	Needle Bearing
5	4219R	Differential Pinion	53	4220R	Thrust Bearing Race
6	4217R	Differential Carrier	54	4209R	3rd Reduction Pinion - Low
7	6255H	Axle Thrust Washer	55	4212R	4th Reduction Gear
8	3065P	"Hex Bolt 3/8 - 24 UNF x 3 - 1/4 (3" Thread Length)	56	4442R	3rd Reduction Pinion Spacer
9	7802M	Shell Bolt	57	4169R	2nd Reduction Gear Shaft
10	6272H	Spring Shifts Fork Detent	58	42146	Final Drive Pinion
11	4065R	Shift Fork, High - Low Range	59	4194R	1st Reduction Gear Shaft
12	6268H	Thrust Bearing Race	60	7628R	1st Reduction Shaft Spacer
13	4212R	4th Reduction Pinion	61	4208R	3rd Reduction Pinion - High
14	4195R	3rd Reduction Gear Shaft	62	4207R	2nd Reduction Gear
15	4216H	Snap Ring - Crescent Type	63	7388H	Needle Bearing
16	633A63	High - Low Range Gears	64	4203R	Low Speed Gear and 2nd Reduction Pinion Cluster
17	8118M	Needle Bearing	65	4204R	Reverse Gear
18	8740H1	Sintered Iron Bearing	66	785M	Woodruff Key 1/8 x 1/2
19	6217H	Shift Fork Shaft, High - Low Range	67	4928H	Snap Ring - Crescent Type
20	4218R	Differential Pinion Spacer	68	4205H	Intermediate Speed Gear
21	6262H	Differential Pinion Bushing	69	4206R	High Speed Gear
22	7810H	Group Gearlock Nut 3/8 - 24 UNF	70	1210H	Thrust Bearing Race
23	4968R	Shift Fork - L.H.	71	633A60	Intermediate and High Speed Cluster Pinion
24	7393R	Oil Seal	72	4102R	Input Shaft
25	902R1	Sintered Iron Bearing	73	4201R	Low Speed Pinion
26	6216H	Shift Fork - R.H.	74	5001P	"E Ring
27	6263H	Shift Fork, High - Low Range	75	1153R	Reverse Idler Gear
28	8012R	Oil Seal	76	7392H	Reverse Idler Thrust Washer
29	6260H	Oil Seal	77	559H	Needle Bearing
30	8885H	Pressure Relief Valve	78	504P	"Hex Nut 5/16 - 18 UNF
31	633A65	Gearcase, Reverse Idler Shaft and Bearings, R.H. (Inc. Key No's. 17, 18, 25, 31, 50, 61, 76, 77 and 82)	79	1167R	Sealing Washer
32	6277H	Dowel Pin	80	541P	"Hex Jam Nut 7/16 - 20 UNF
33	4222R	Needle Bearing	81	8270H	Oil Seal
34	7398H	Thrust Bearing Race	82	7384H	Reverse Idler Shaft
35	4198R	4th Reduction Gear Shaft	83	8364H	Control Knob
36	4200R	4th Reduction Gear Spacer	84	9011H	Gear Shift Lever - Bent
37	7395H	Thrust Bearing Race	85	9013R	Gear Shift Cap
38	6270H	Gearcase Gasket	86	633A62	Gear Shift Ball Cover and Pin
39	633A64	Gearcase and Bearings, L.H. (Inc. Key No's. 18, 25, 40, 50 (2), 51 and 52)	87	8738H1	Shift Lever Guide Ball - Keyed
40	4002P	Pin Plus 1/2 - 14 N.P.T.	88	4624H	Spring
41	4015P	Elbow 90° 1/2 - 14 N.P.T.	89	1503P	"Washer 19/32 x 5/8 x 18 Ga.
42	4018P	Std. Pipe Nipple 1/2 - 14 N.P.T. x 3	90	8155H	Shift Mechanism Seal
43	6271H	Oil Seal	91	1509P	"Washer 9/16 x 15/16 x 11 Ga.
44	4001P	Pin Plus 1/4 - 18 N.P.T.	92	75J	Gear Shift Gears
45	6271H	Oil Seal	93	6274H	Shift Ball Cover Gasket
46	3083P	"Hex Bolt 5/16 - 18 - 1 - 1/2 Grade 5	94	2905P	"Washer 1 1/8 x 3/8
47	3083P	"Hex Bolt 5/16 - 18 - 1 - 1/2 Grade 5	95	1002P	"Lockwasher 5/16
48	1007P	"Lockwasher 5/16 Extra Heavy	96	3159P	"Hex Bolt 5/16 - 18 UNF x 7/8
			97	633A67	Gear Shift Lever Assy.
			98	833A64	Transaxle Assembly Less Brake Drum & Shift Lever Assy.

\*STANDARD HARDWARE - PURCHASE LOCALLY

**REPAIR PARTS**

ROPER 14 H.P. GARDEN TRACTOR-MODEL NUMBER T4328AR  
TECUMSEH 4 CYCLE ENGINE-MODEL NUMBER OH140-160039B

ALL ENGINE PARTS MUST BE PURCHASED THROUGH AND SERVICE PERFORMED BY YOUR LOCAL TECUMSEH DEALER.



**REPAIR PARTS**

ROPER 14 H.P. GARDEN TRACTOR-MODEL NUMBER T4328AR  
TECUMSEH 4 CYCLE ENGINE-MODEL NUMBER OH140-160039B

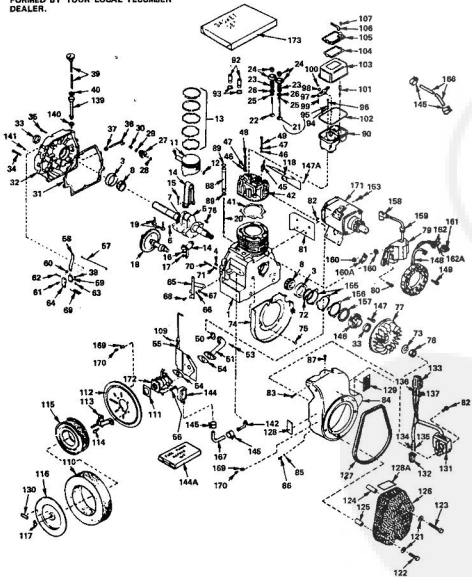
KEY NO.	PART NO.	DESCRIPTION	KEY NO.	PART NO.	DESCRIPTION
1	32873	Cylinder Assy. (Inc. No's. 4, 33 & 141)	34	30564	Screw, Hex Hd. Sems, 1/4 - 20 x 1
2	31928	Cup, Bearing	35	65055B	Screw, Hex Hd. Sems, 1/4 - 20 x 2
3	27652	Pin, Dowel	36	32425	Nut, Hex, Governor
4	33397	Pin, Crankshaft Assy. (Inc. No's. 3, 6, 7 & 8)	37	32426	Screw, Governor Rod
5	31931	Pin, Crankshaft Gibs	38	25193	Ring, Retaining
6	31931	Gear, Crankshaft	39	33764	Gilgrip, Oil Fill (Inc. No. 40)
7	31931	Retaining Ring, Retainer	40	33765	"O" Ring
8	33001A	Piston & Pin Assy. (Inc. No. 12) (Std.)	41	33474	*Gasket, Cylinder Head
9	33001	Piston & Pin Assy. (Inc. No. 12) (0.010 oversize)	42	33475	Head, Cylinder (Inc. No. 92)
10	33002	Piston & Pin Assy. (Inc. No. 12) (0.020 oversize)	43	33476	Plug, Spark (Champion L-80 or equivalent)
11	32619	Piston & Pin Assy. (Inc. No. 12) (0.030 oversize)	44	33477	Reactor Spark Plug (Canadian Regulation)
12	32620	Piston & Pin Assy. (Inc. No. 12) (0.040 oversize)	45	650691	Washer, Flat
13	32004	Ring Set, Piston (Retaining)	46	650692	Washer, Bellcrank
14	32004	Ring Set, Piston (Std.)	47	650693	Screw, Hex Hd. Sems, 5/16 - 18 x 1-3/4
15	32005	Ring Set, Piston (0.020 oversize)	48	650694	Screw, Hex Hd. Sems, 5/16 - 18 x 1-3/8
16	32006	Ring Set, Piston (0.030 oversize)	49	33613	*Gasket, Intake Pipe
17	32007	Ring Set, Piston (0.040 oversize)	50	33614	Ring, Intake
18	32624	Ring Set, Piston (0.020 oversize)	51	750228	Screw, Hex Hd. Sems 5/16 - 18 x 7/8
19	32624	Ring Set, Piston (0.030 oversize)	52	33776	*Gasket, Carburetor
20	32624	Ring Set, Piston (0.040 oversize)	53	33777A	Baffle, Air Extension
21	32939A	Rod Assy., Connecting (Inc. No's. 16, 16 & 17)	54	65073B	Screw, Flat Hd. Sems, 5/16 - 18 x 1 - 1/8
22	32977	Washer, Connecting Rod	55	33478	Link, Governor
23	29273	Washer, Connecting Rod	56	31953	Level, Governor Adjusting
24	29264	Nut, Lock	57	31954	Chain, Governor Lever
25	33470	Camshaft (Mech. Compression Release)	58	65073B	Lockwasher No. 10 F.T.
26	33472	Link, Push	59	30312	Screw, Hex Washer Hd., 10 - 32 x 1/2
27	33471	Rod, Push	60	33479	Screw, Pan Hd., 10 - 24 x 3/8
28	33645	Valve, Intake (Std.)	61	7975	Nut, Square, 10 - 24
29	33645	Valve, Intake (1/32" oversize)	62	31965	Plate, Governor Spring
30	33645	Valve, Exhaust (Std.)	63	31964A	Lever Assy., Control
31	33645	Valve, Exhaust (1/32" oversize)	64	31965	Washer, Valve
32	33645	Retainer & Cap Set, Keeper Valve	65	31966	Pushing, Governor Lever
33	33510	Springs, Valve	66	650557	Screw, Hex Washer Hd., 10 - 24 x 5/8
34	33508	Retainer & Cap Set, Keeper Valve	67	31967	Spring, Governor
35	33509	Cap, Valve	68	650561	Screw, Hex Hd., 10 - 24 x 2
36	33510	Cap, Valve	69	33999	Spring, Locking
37	650745	Washer, Flat	70	32568	"O" Ring
38	65068A	Gear, Shift Assy., Governor	71	650665	Washer, Lock
39	31949	Spacer, Governor	72	650666	Baffle, Blower Housing
40	31949	*Gasket, Cylinder Cover	73	650667	Screw, Hex Hd. Sems, 1/4 - 20 x 5/8
41	32855	Cover Assy., Cylinder (Inc. No's. 33, 36, 37, 38, 141, 141)	74	610956	Flywheel
42	31950	Seal, Oil	75	65059A	*Gasket, Flywheel
			76	610956	Magnum, Solid State (Inc. No's. 158 & 160A)

\*INDICATES PARTS INCLUDED IN GASKET SET KEY NO. 173

**REPAIR PARTS**

ROPER 14 H.P. GARDEN TRACTOR-MODEL NUMBER T4328AR  
TECUMSEH 4 CYCLE ENGINE-MODEL NUMBER OH140-160039B

ALL ENGINE PARTS MUST BE PURCHASED THROUGH AND SERVICE PERFORMED BY YOUR LOCAL TECUMSEH DEALER.



**REPAIR PARTS**

ROPER 14 H.P. GARDEN TRACTOR-MODEL NUMBER T4328AR  
TECUMSEH 4 CYCLE ENGINE-MODEL NUMBER OH140-160039B

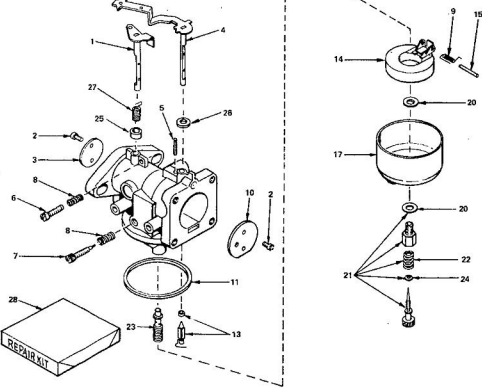
KEY NO.	PART NO.	DESCRIPTION	KEY NO.	PART NO.	DESCRIPTION
80	650601	Screw, Flat Hd. w/Conical Spring Lockwasher, 1/4 - 20 x 3/4	125	34378	Spacer, Screen
81	33439	Extension, Blower Housing	126	34379	Screw Assy., Blower Housing (Inc. No. 126)
82	33668	Screw, Hex Hd. Sems, 1/4 - 20 x 1/2	127	34377	Seal, Guard
83	650751	Washer, 1/4 - 20 x 7/16	128	34378	Decal, Name & Instruction
84	33775A	Housing, Blower	129	34378	Instruction Detail
85	6714	Lockwasher, Split, 5/16	130	33984	Decal, Name
86	650565	Screw, Hex Hd., 5/16 - 24 x 3/8	131	610968	Regulator, Recycler (Inc. No's. 132 thr 137)
87	650752	Screw, Hex Hd. Sems, 1/4 - 20 x 7/16	132	610971	Terminal
88	33480	"O" Ring	133	610990	Connector
89	33481	Tube, Push Rod	134	610992	Terminal
90	33482	Housing, Rocker Arm	135	610969	Terminal
91	33483	Valve Guide Kit (Inc. No. 93)	136	610990	Terminal
92	34315	Ring, Retaining	137	610991	Terminal
93	33484	"O" Ring	138	610992	Terminal
94	33484	"O" Ring	139	29673	Lube Assy., Oil Filter
95	650168	Washer, Flat	140	29673	*Gasket, Oil Filter
96	650169	Screw, Flanged Hex Hd., 1/4 - 20 x 29/32	141	31927	Plug, Plug (3/8 - 18 Sq. Hd.)
97	33485	Arm, Rocker	142	33958	Filler, Fuel Pump
98	33486	Ring, Retaining	143	33959	Pump, Intake Fuel
99	650755	Screw, Adjusting	144A	33010	Repair Kit, Impulse Fuel Pump
100	650556	Nut, Hex	145	29640	Cover, Cylinder (See Note 1)
101	650756	Bluff, Rocker Arm Cover	146	32977	Screw, Hex Hd. Sems, 5/16 - 18 x 7/8
102	33487	Cover, Rocker Arm	147	750228	Screw, Pan Hd., 10 - 15 x 3/8
103	33488	Cover, Rocker Arm	147A	650739	Cap Assy., Alternator (Inc. No's. 147 & 152A)
104	31958	*Gasket, Breather	148	610992	Screw, Flat Hd. Sems, 10 - 32 x 1 - 1/8
105	33489	Body Assy., Breather	149	650781	Screw, Hex Hd. Sems, 5/16 - 18 x 11/16
106	33490	Tube, Breather	150	31971	*Gasket, Shim 1/005/007 thick, use note 1
107	30102	Screw, Hex Washer Hd. Sems. w/Mastic	151	31972	*Gasket, Shim 1/005/007 thick, use note 1
108	30102	Screw, Hex Washer Hd. Sems. w/Mastic	152	33025	Screw, Steel 1/010 thick, use note 1
109	650738	Cutting, 1/4 - 20 x 5/8	153	610118	Cover, Spark Plug
110	32906	Fitter, Pre-Air	154	29652	Grasscut, Lead Wire
111	33952	*Gasket, Air Cleaner	155	610408	Nut, Hex, 8 - 32
112	33777	Bracket, Air Cleaner	156	610903	Connector, Pyramid
113	33778	Bracket, Air Cleaner	157	610904	Terminal
114	650739	Screw, Flat Hd. Sems, 10 - 32 x 5/8	158	610904	Terminal
115	33008	Element, Air Cleaner	159	29652	Line, Fuel
116	32904	Cover, Air Cleaner	160	34387	Clip, Control
117	650513	Nut, Wing	161	29642	Screw, Hex Hd. Sems, 10 - 32 x 3/8
118	33495	Cover, Cylinder Head	162	33875	Motor, Starter (1/2 Volt) (Inc. No. 153)
119	27070	Washer, Lock	163	65059A	Gasket Set (Inc. items marked *)
120	650528	Screw, Torx Hd., 1/4 - 28 x 1 - 3/4	164	29642	Screw, Hex Hd. Sems, 10 - 32 x 3/8
121	650529	Screw, Torx Hd., 1/4 - 28 x 2 - 9/16	165	33876	Carburetor (Inc. No. 54)
122	650529	Screw, Torx Hd., 1/4 - 28 x 2 - 9/16	166	33877	Gasket Set (Inc. items marked *)
123	650529	Screw, Torx Hd., 1/4 - 28 x 2 - 9/16	167	33878	Gasket Set (Inc. items marked *)
124	34378	Spacer, Screen	168	33879	Gasket Set (Inc. items marked *)

\*Indicates Parts Included in Gasket Set Key No. 173  
NOTE: Determine the gap between the cover and the modified surface on the cylinder, which can be from .001" up to .007". In which case no shim gaskets will be required. Use of gaskets must be limited to a combined total of .010" thick. Steel spacers must be used as required to eliminate crankshaft end play.

### REPAIR PARTS

ROPER 14 H.P. GARDEN TRACTOR-MODEL NUMBER T43284R  
TECUMSEH 4 CYCLE ENGINE-MODEL NUMBER OH140160039B

CARBURETOR NO. 632032  
ALL ENGINE PARTS MUST BE PURCHASED THROUGH AND SERVICE PERFORMED BY YOUR LOCAL TECUMSEH DEALER.

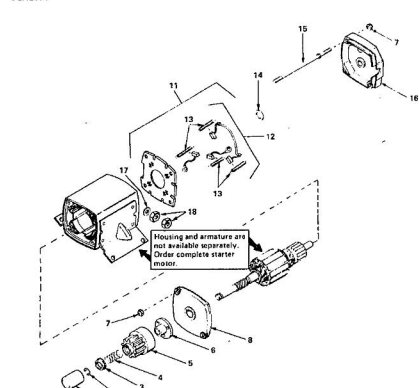


KEY NO.	PART NO.	DESCRIPTION	KEY NO.	PART NO.	DESCRIPTION
1	631881	Shaft & Lever Assy., Throttle (Inc. Key No. 2)	11	27109	*Gasket, Bowl-to-Body
2	30357	Screw, Hd. Hd., 6 - 32 x 3/16 (Early Production)	13	632024	*Valve, Seat & Spring Assy. (Inc. No. 9)
3	650506	Screw, Pan Hd. 4 - 40 x 3/16 (Late Production)	14	27106	Float
4	631882	Shutter, Throttle	15	27106	Shaft, Float
5	631883	Shaft & Lever Assy., Choke (Inc. Key No. 2)	17	29170	Bowl, Fuel
6	27113	Spring, Choke Stop	20	27110	*Gasket, Bowl-to-Body
7	650399	Spring, Throttle Adjusting	21	631764	*Needle Assy., Power Adjusting (Inc. No's. 20, 22, & 24)
8	27112	Screw, Throttle Adjusting	22	630786	Spring, Adjusting Needle
9	27114	Spring, Adjusting	23	631942	Needle, Main
10	632017	Spring, Float Shaft	24	27844	*O' Ring
11	631884	Shutter, Choke	25	632039	Seal, Throttle Shaft Dust
			26	632040	Seal, Choke Shaft Dust
			27	32098	Spring, Throttle Return
			28	632032	Repair Kit (Inc. Items Marked *)

### REPAIR PARTS

ROPER 14 H.P. GARDEN TRACTOR-MODEL NUMBER T43284R  
TECUMSEH 4 CYCLE ENGINE-MODEL NUMBER OH140160039B

STARTER MOTOR NO. 33835  
ALL ENGINE PARTS MUST BE PURCHASED THROUGH AND SERVICE PERFORMED BY YOUR LOCAL TECUMSEH DEALER.

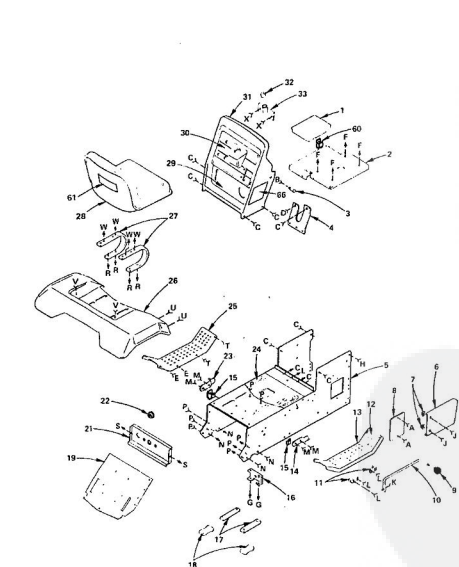


KEY NO.	PART NO.	DESCRIPTION	KEY NO.	PART NO.	DESCRIPTION
1	33841	Cover, Dust	12	33849	Brush & Spring Kit (Inc. 4 pcs. of No. 13)
2	33842	Ring, Retainer	13	33850	Spring, Brush
3	33843	Retainer, Spring	14	980500	Washer, Thrust
4	33844	Spring, Anti-Drill	15	33851	Bolt, 10 - 32 x 5 - 1/4
5	33845	Clear	16	33852	Cap Assy., Commutator end
6	33433	Nut, Engaging	17	950168	Washer, Flat
7	33460	Nut, Lock	18	650723	Nut, Hex
8	33845	Cap Assy., Drive End			
11	33846	Card Assy., Brush (Inc. No. 12)			

### REPAIR PARTS

ROPER 14 H.P. GARDEN TRACTOR-MODEL NUMBER T43288R

CHASSIS, FENDER & DASHBOARD

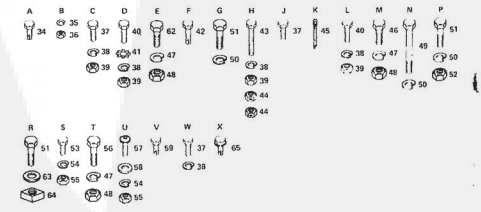


### REPAIR PARTS

ROPER 14 H.P. GARDEN TRACTOR-MODEL NUMBER T43288R

CHASSIS, FENDER & DASHBOARD

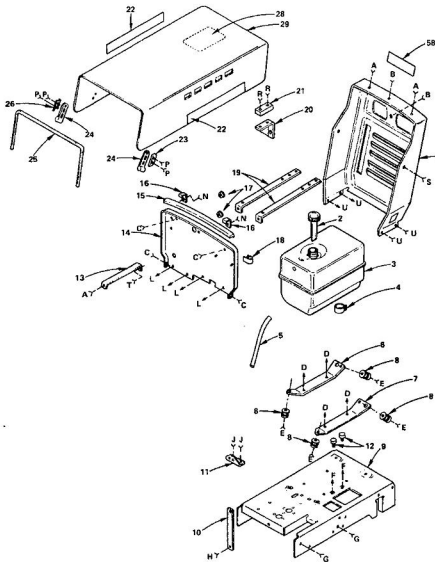
KEY NO.	PART NO.	DESCRIPTION	KEY NO.	PART NO.	DESCRIPTION
1	8945R	Battery Tray	36	505P	*Hex Nut No. 10 - 24 UNC
2	8797R	Tank & Battery Support	37	3009P	*Hex Bolt 5/16 - 18 UNC x 5/8
3	8755R	Head Latch Pin	38	1003P	*Lockwasher 5/16
4	8792R	Tank & Battery Support Brace	39	504P	*Hex Nut 5/16 - 18 UNC
5	8665R	Chassis Channel	40	3010P	*Hex Bolt 5/16 - 18 UNC x 3/4
6	8791R	Escape Pulley Cover	41	1408P	*Ext. Torx Lockwasher 5/16
7	8815R	Nut, Retainer	42	5503P	Hex Head Thread Cutting Screw 5/16 - 18 UNC x 2 1/2 Torx T3
8	8802R	Channel Access Cover	43	3373P	Hex Bolt 5/16 - 18 UNC x 1 1/2 Full T7
9	8366H	Control Knob	44	1686H	Locknut 5/16
10	8766R	Range Shift Rod	45	2511P	*Cutter Pin 3/16 x 1
11	8810R	Range Shift Rod Bracket	46	2022P	*Hex Bolt 3/8 - 16 UNC x 7/8
12	8900R	Decal - Attachment Clutch	47	1004P	*Lockwasher 3/8
13	8842R	Foot Rest - R.H.	48	5011P	*Hex Nut 3/8 - 16 UNC
14	67343Z	Suspension Arm Bracket Weldment - R.H.	49	3165P	Hex Bolt 7/16 - 14 UNC x 2 1/4
15	2751R	Clip - Fuel Line	50	1001P	*Lockwasher 7/16
16	8629R	Transaxle Bracket	51	3024P	*Hex Bolt 7/16 - 14 UNC x 1
17	105J	Seat Spring Lock Plate	52	500P	*Hex Nut 7/16 - 14 UNC
18	9248R	Transaxle Spacers	53	3114P	*Hex Bolt 1/4 - 20 UNC x 1 1/2
19	67345B	Driveline Assembly	54	1002P	*Lockwasher 1/4
21	237J	Chassis Channel Cover	55	500P	*Hex Nut 1/4 - 20 UNC
22	3807R	Universal Bushing	56	3023P	*Hex Bolt 3/8 - 16 UNC x 1
23	67343B	Suspension Arm Bracket Weldment - L.H.	57	3308P	*Cross Recess Torx Head Machine Screw 1/4 - 20 UNC x 5/8
24	8888R	Decal - Shift Pattern	58	5600P	Hex Head Thread Cutting Screw 5/16 - 18 UNC x 1 1/2 Type 23
25	5041R	Foot Rest - L.H.	59	1500P	*Washer 9/32 x 5/8 x 16 Ga.
26	8509R	Fender	60	5600P	Hex Head Thread Cutting Screw 5/16 - 18 UNC x 1 1/2 Type 23
27	8768R	Seat Spring	61	4171R	Headrest Clip
28	2214J	Seat	62	245J	*Decal, Ripon
29	189J	Decal - Lower Dashboard	63	3021P	*Hex Bolt 3/8 - 16 UNC x 3/4
30	192J	Decal - Upper Dashboard	64	1544P	*Washer 15/32 x 15/16 x 16 Ga.
31	163J	Dashboard	65	5600P	Hex Head Thread Cutting Screw 1/4 - 20 UNC x 5/8
32	9038R	Steering	66	5600P	Hex Head Thread Cutting Screw 1/4 - 20 UNC x 1 1/2 Type 23
33	67346B	Steering Bracket & Bearing (Inc. Key No. 23)	67	244J	Decal 14 H.P.
34	5699P	*Hex Head Thread Cutting Screw 1/4 - 20 UNC x 1 1/2 Type 23	68	1723J	Warranty - L.H. Fan (Down Mount)
35	1006P	*Lockwasher No. 10	69	1719J	Warranty - L.H. Fan (Down Mount)



### REPAIR PARTS

ROPER 14 H.P. GARDEN TRACTOR-MODEL NUMBER T43288R

ENGINE MOUNT, HOOD & GRILL



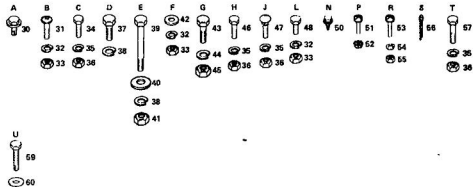
### REPAIR PARTS

ROPER 14 H.P. GARDEN TRACTOR-MODEL NUMBER T43288R

ENGINE MOUNT, HOOD & GRILL

KEY NO.	PART NO.	DESCRIPTION	KEY NO.	PART NO.	DESCRIPTION
1	1547J	Grill	33	503P	*Hex Nut 1/4 - 20 UNC
2	8509R	Fuel Gauge	34	3003P	*Hex Bolt 5/16 - 18 UNC x 5/8
3	30J	Fuel Tank	35	1003P	*Lockwasher 5/16
4	8577R	Fuel Line	36	504P	*Hex Nut 5/16 - 18 UNC
5	8908R	Fuel Line - Overflow	37	3022P	*Hex Bolt 3/8 - 16 UNC x 7/8
6	5306S	Fuel Isolator Mounting Bracket - L.H.	38	1004P	*Lockwasher 3/8
7	8205R	Engine Isolator Mounting Bracket - R.H.	39	3232P	*Hex Bolt Full Thread 3/8 - 16 UNC x 1/4
8	5734124	Hex Nut 1/4 - 20 UNC	40	1588P	*Washer 13/32 x 1 - 1/4 x 12 Ga.
9	673A201	Engine Base Weldment	41	501P	*Hex Nut 3/8 - 16 UNC
10	8518R	Engine Base Drive	42	1506P	*Washer 9/32 x 5/8 x 16 Ga.
11	1505J	Safety Switch Bracket	43	3034P	*Hex Bolt 7/16 - 14 UNC x 1
12	8304R	Snubber Mount	44	1001P	*Lockwasher 7/16
13	8780R	Dashboard Brace	45	500P	*Hex Nut 7/16 - 14 UNC
14	8704R	Heat Shield	46	3010P	*Hex Bolt 5/16 - 18 UNC x 3/4
15	9230S	Sealing Strip	47	16P	*Sp. Neck Carriage Bolt 5/16 - 18 UNC x 2/4
16	8934R	Sealing Strip Clamp	48	3114P	*Hex Bolt 1/4 - 20 UNC x 1/2
17	0151R	Snap Bushing	50	5001P	*Hex Washer Head Sheet Metal Screw No. 10 x 3/8 Type AB
18	4171R	Insulated Clip	51	3302P	*Cross Recess Pan Head Machine Screw No. 10 - 24 UNC x 1/2
19	8781R	Grill Brace	52	501P	*Hex Nut No. 10 - 24 UNC
20	8523R	Grill Bracket	53	3005P	*Cross Recess Pan Head Machine Screw No. 10 - 24 UNC x 1/2
21	9042R	Rubber Bumper	54	1005P	*Lockwasher No. 10
22	242J	Decal - Roper	55	501P	*Hex Nut No. 10 - 24 UNC
23	8925R	Hood Latch Cover - R.H.	56	2505P	*Cover Pin 3/32 x 2/4
24	8898R	Hood Latch	57	3011P	*Hex Bolt 5/16 - 18 UNC x 1
25	8957R	Hood Strip	58	253J	*Decal - Roper Logo
26	9012S	Hood Latch Cover - L.H.	59	5503P	*Screw, Hex Hd. Thread Cutting, Type 23 5/16 - 18 UNC x 3/4
28	8028R	Decal - Maintenance	60	1537P	*Washer 11/32 x 1 1/16 x 18 Ga.
29	673A202	Hood			
30	5000P	Hex Washer Head Thread Cutting Screw 5/16 - 18 UNC x 1 1/2 Type 23			
31	3077P	*Cross Recess Truss Head Machine Screw 1/4 - 20 UNC x 3/4			
32	1002P	*Lockwasher 1/4			

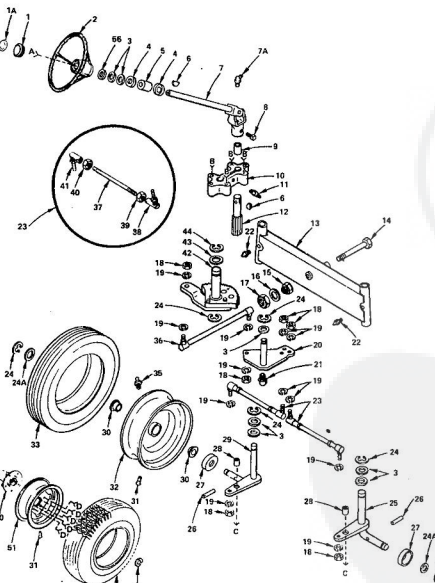
\*STANDARD HARDWARE-PURCHASE LOCALLY



### REPAIR PARTS

ROPER 14 H.P. GARDEN TRACTOR-MODEL NUMBER T43288R

STEERING AND FRONT AXLE



### REPAIR PARTS

ROPER 14 H.P. GARDEN TRACTOR-MODEL NUMBER T43288R

STEERING AND FRONT AXLE

KEY NO.	PART NO.	DESCRIPTION	KEY NO.	PART NO.	DESCRIPTION
1	9719R	Steering Wheel Cap	29	673A10	Spindles Weldment - L.H.
1A	235J	Decal, Steering Wheel Cap	30	9040H	Flanged Bearing
2	3044R	Steering Wheel	31	735R	Tire Valve
3	1517P	Washer 25/32 x 1 - 1/4 x 16 Ga.	32	3526R	Front Wheel (Inc. Key No's. 30 & 35)
4	9007H	Cup - Steering Tube	33	3526R	Front Tire - Tubeless 16 x 6.50 - 8
5	5989R	Rubber Bushing	35	6266M	Grease Fitting
6	9958M1	Woodruff Key	36	8665R	Steering Drag Link
7	9929I	U-Joint (Inc. Key No. 7A)	37	673A19	Tie Rod (Inc. Key No's. 39 & 40)
7A	4545H	Grease Fitting	38	8922R	Tie Rod Joint - L.H. Thread
8	4505P	Sp. Hd. Set Screw 3/8 - 16 UNC x 1/2	39	547P	*Hex Jam Nut 3/8 - 24 UNF - L.H.
9	101J	"U" Joint Spacer	40	546P	*Hex Jam Nut 3/8 - 24 UNF
10	8529R	Steering Support Bracket	41	8921R	Tie Rod Joint - R.H. Thread
11	6842M	Grease Fitting	42	673A17	Steering Sector Assy.
12	151J	Steering Pawl	43	1516P	Washer 25/32 x 1 - 1/4 x 16 Ga.
13	673A203	Front Axle Weldment	44	5017P	E-Ring
14	8916H	Shoulder Nut	45	3023P	*Hex Bolt 3/8 - 16 UNC x 1
15	156J	Washer 21/32 x 1 - 5/16 x 13 Ga.	46	1517P	*Washer 7/16 x 1 1/4 x 14 Ga.
16	1503P	*Hex Jam Nut 3/8 - 11 UNC	47	3028P	*Hex Bolt 3/8 - 16 UNC x 1 - 3/4
17	523P	*Hex Nut 3/8 - 11 UNC	48	501P	*Hex Nut 3/8 - 16 UNC
18	515P	*Hex Nut 3/8 - 24 UNF	49	7562R	Axle Thrust Washers
19	1004P	*Lockwasher 3/8	50	6544002	Wheel Hub and Bushing
20	673A30	Steering Bell Crank Weldment	51	3535R	Rear Wheel
21	6853M	Grease Fitting	52	3765R	Rear Tire - Tubeless 23.0 x 8.50 - 12
22	6853M	Grease Fitting	53	5845R	E-Ring
23	673A15	Steering Tie Rod (Inc. Key No's. 37 thru 41)	54	1524H	Hub Bolt
24	5000P	Hex Washer Head Thread Cutting Screw 5/16 - 18 UNC x 1 1/2 Type 23	55	3022P	*Hex Bolt 3/8 - 16 UNC x 7/8
24A	1021P	Washer 25/32 x 1 - 5/8 x 16 Ga.	56	1591P	*Washer 25/32 x 1 - 1/4 x 21 Ga.
25	673A20	Spindles Weldment - R.H.			
26	8530R	Grease Pin			
27	8781R	Dust Cap			
28	8507R	Bushing - Steering Stop			

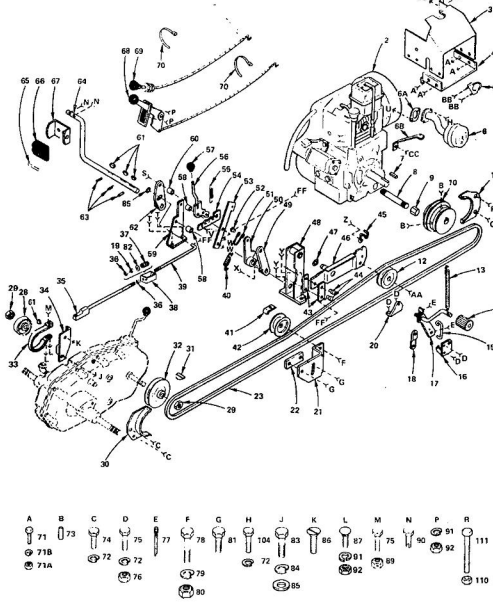
\*STANDARD HARDWARE-PURCHASE LOCALLY



### REPAIR PARTS

ROPER 14 H.P. GARDEN TRACTOR-MODEL NUMBER T43288R

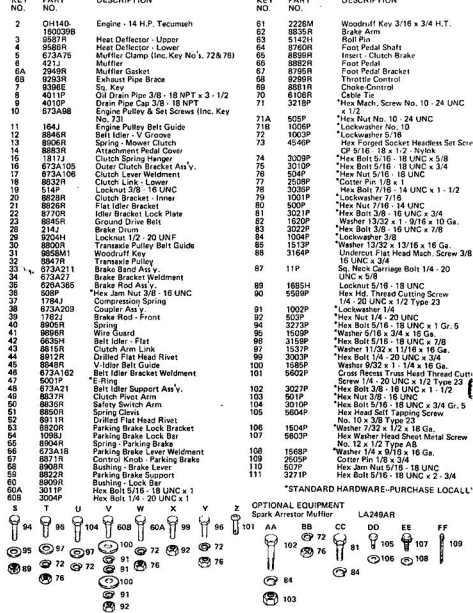
#### CLUTCH-BRAKE & DRIVE



### REPAIR PARTS

ROPER 14 H.P. GARDEN TRACTOR-MODEL NUMBER T43288R

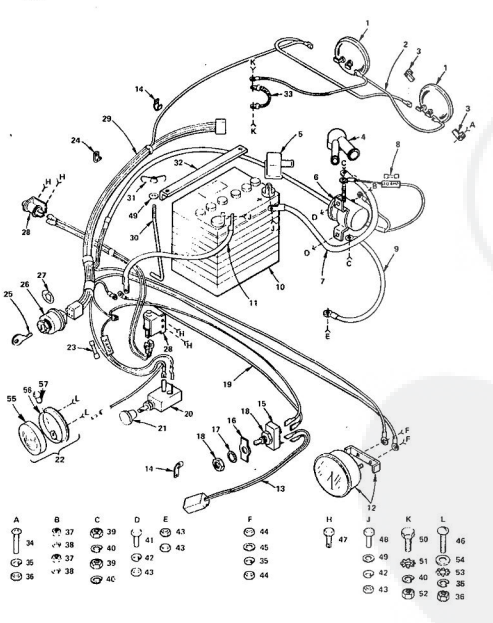
#### CLUTCH-BRAKE & DRIVE



### REPAIR PARTS

ROPER 14 H.P. GARDEN TRACTOR-MODEL NUMBER T43288R

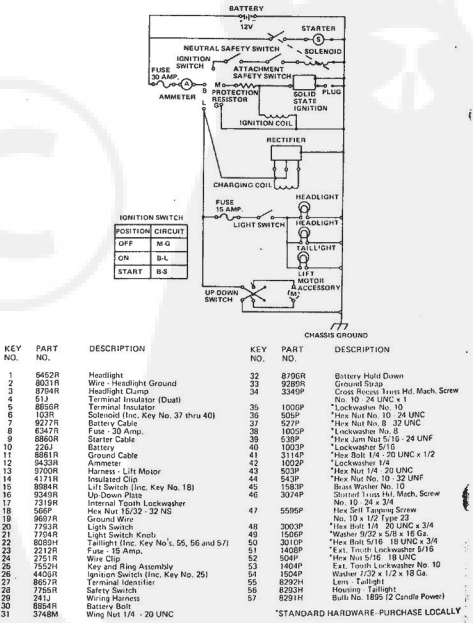
#### ELECTRICAL



### REPAIR PARTS

ROPER 14 H.P. GARDEN TRACTOR-MODEL NUMBER T43288R

#### ELECTRICAL

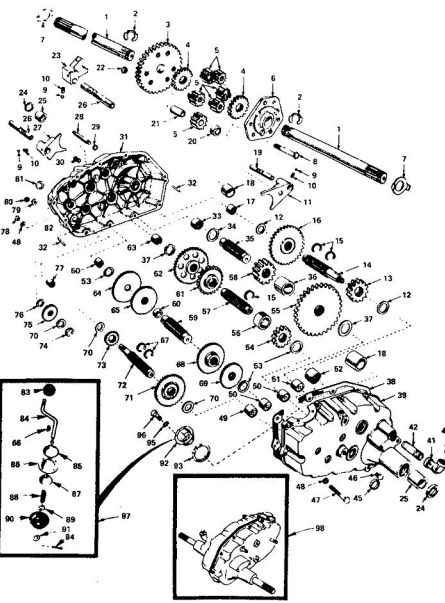




### REPAIR PARTS

ROPER 14 H.P. GARDEN TRACTOR-MODEL NUMBER T4328BR

#### TRANSAXLE



### REPAIR PARTS

ROPER 14 H.P. GARDEN TRACTOR-MODEL NUMBER T4328BR

#### TRANSAXLE

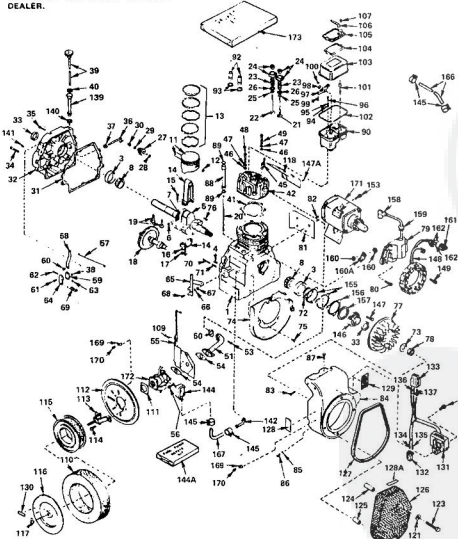
KEY NO.	PART NO.	DESCRIPTION	KEY NO.	PART NO.	DESCRIPTION
1	4197R	Axle Shaft	46	4895H	Needle Bearing
2	5845R	Retaining Ring	50	4222R	Needle Bearing
3	4199R	Front Drive Gear	51	4529R	Needle Bearing
4	4216R	Differential Gear	52	8115M	Needle Bearing
5	4215R	Differential Pinion	53	4220R	Thrust Bearing Race
6	4217R	Differential Carrier	54	4205R	3rd Reduction Pinion - Low
7	6256H	Axle Thrust Washer	55	4212R	4th Reduction Gear Shaft
8	3065P	Hex Bolt 5/8" - 24 UNF x 3 - 1/4 (1" Thread Length)	56	444276	3rd Reduction Pinion Spacer
9	7392M	Steel Ball	57	4195R	2nd Reduction Gear Shaft
10	6272H	Spring Shift Fork Detent	58	4714R	Front Drive Pinion
11	4956R	Shift Fork, High - Low Range	59	4194R	1st Reduction Gear Shaft
12	6268H	Thrust Bearing Race	60	3528R	1st Reduction Shaft Spacer
13	4212R	4th Reduction Pinion	61	4208R	3rd Reduction Pinion - High
14	4196R	3rd Reduction Gear Shaft	62	4207R	2nd Reduction Gear
15	6276H	Snap Ring - Crescent Type	63	7398H	Needle Bearing
16	633AC3	High - Low Range Clutch	64	4202R	Low Speed Gear and 2nd Reduction Pinion Cluster
17	8118M	Needle Bearing	65	4204R	Reverse Gear
18	6246H1	Sintered Iron Bearing	66	7355M	Woodruff Key 1/8 x 1/2
19	8217H	Shift Fork Shaft, High - Low Range	67	4926H	Snap Ring - Crescent Type
20	4218R	Differential Pinion Spacer	68	4205R	Intermediate Speed Gear
21	6262H1	Differential Pinion Bushing	69	4206R	High Speed Gear
22	7810H	Croze Coustrick Nut 3/8" - 24 UNF	70	1306H	Thrust Bearing Race
23	4985R	Shift Fork - L.H.	71	633A69	Intermediate and High Speed Clutch Pinion
24	7393H	Oil Seal	72	4193R	Input Shaft
25	9221H	Sintered Iron Bearing	73	4201R	Low Speed Pinion
26	6216H	Shift Fork - R.H.	74	5001P	E-Ring
27	6294H	Shift Fork - R.H.	75	1533R	Reverse Idler Gear
28	9912R	Shift Shaft, High - Low Range	76	7382H	Reverse Idler Gear Thrust Washer
29	6269H	Oil Seal	77	6252H	Needle Bearing
30	5855H	Pressure Relief Valve	78	5259H	*Hex Nut 5/16" - 18 UNC
31	633A65	Gearcase, Reverse Idler Shaft and Bearings - R.H. (Inc. Key No. 17, 18, 25, 23, 50, 63, 76, 77 and 82)	79	1187R	Washing Washer
32	6272H	Dowel Pin	81	6270H	Oil Seal
33	4223R	Needle Bearing	82	7384H	Reverse Idler Shaft
34	7398H	Thrust Bearing Race	83	6364H	Control Knob
35	4198R	4th Reduction Gear Shaft	84	6011H	Gear Shift Lever - Bent
36	4200R	4th Reduction Gear Shaft	85	9013R	Gear Shift Cap
37	7398H	Thrust Bearing Race	86	633A68	Gear Shift Ball Cover and Pin
38	6279H	Gearcase Gasket	87	8739H1	Shift Lever Guide Ball - Keyed
39	633A64	Gearcase and Bearings - L.H. (Inc. Key No. 18, 25, 45, 50 (2), 51 and 52)	88	4244H	Spring
40	4002P	Pin Plug 1/2" - 14 N.P.T.	89	1053P	*Washer 10/32 x 5/16 x 16 Ga.
41	4015P	Elbow 90° 1/2" - 14 N.P.T.	90	8105R	*Shift Mechanism Seal
42	4014P	90° Tee 1/2" - 14 N.P.T. x 3	91	1569H	*Washer 1/4" - 18 x 11 Ga.
43	6271H	Oil Seal	92	75J	Gear Shift Gaiter
44	4003P	Pin Plug 1/4" - 18 N.P.T.	93	6274H	Shift Ball Cover Gasket
45	6271H	Oil Seal	94	2505P	*Cover 1/8 x 3/4
46	4003P	Pin Plug 1/4" - 18 N.P.T.	95	1003P	*Lockwasher 6/16
47	3087P	*Hex Bolt 5/16" - 18 x 1 - 1/2 Grade 5	96	3166P	*Hex Bolt 5/16" - 18 UNC x 7/8
48	1007P	*Lockwasher 5/16 Extra Heavy	97	633A87	Gear Shift Lever Assy.
			98	633A84	Transaxle Assembly Less Brake Drum & Shift Lever Assy.

\*STANDARD HARDWARE-PURCHASE LOCALLY

### REPAIR PARTS

ROPER 14 H.P. GARDEN TRACTOR-MODEL NUMBER T4328BR  
TECUMSEH 4 CYCLE ENGINE-MODEL NUMBER OH140-1600398

ALL ENGINE PARTS MUST BE PURCHASED THROUGH AND SERVICE PERFORMED BY YOUR LOCAL TECUMSEH DEALER.



### REPAIR PARTS

ROPER 14 H.P. GARDEN TRACTOR-MODEL NUMBER T4328BR  
TECUMSEH 4 CYCLE ENGINE-MODEL NUMBER OH140-1600398

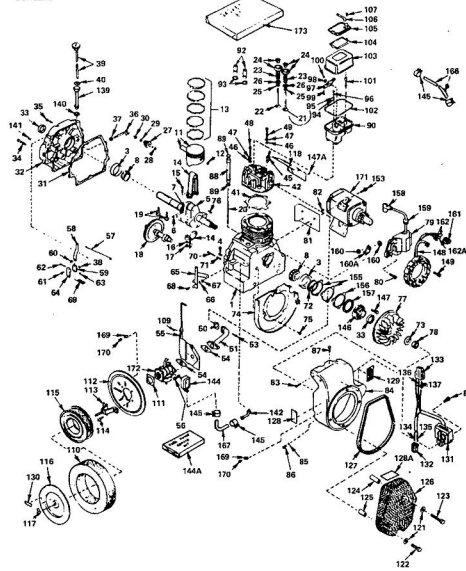
KEY NO.	PART NO.	DESCRIPTION	KEY NO.	PART NO.	DESCRIPTION
1	33523	Cylinder Assy. (Inc. No's. 4, 33 & 141)	34	30084	Screw, Hex Hd. Sems, 1/4 - 20 x 1
2	31278	Cup, Bearing	35	650268	Screw, Hex Hd. Sems, 1/4 - 20 x 2
3	27652	Pin, Dowel	36	32579	Rod Assy. Governor
4	33397	Crankshaft Assy. (Inc. No's. 3, 6, 7 & 8)	37	32426	Spacer, Governor Rod
5	22163	Pin, Crankshaft Cap	38	29193	Ring, Retaining
6	31931	Gear, Crankshaft	39	33764	Distric, Oil Fil. (Inc. No. 40)
7	31932	Bearing, Tapered Roller	40	29193	O-Ring
8	31932	Bearing, Tapered Roller	41	33474	*Gasket, Cylinder Head
11	32001A	Piston & Pin Assy. (Inc. No. 12) (Std.)	42	31932	*Gasket, Cylinder (Inc. No. 92)
11	32001	Piston & Pin Assy. (Inc. No. 12) (I/O oversize)	45	33657	Plug, Spark (Champion L-85 or equivalent except for Capcode)
11	32003	Piston & Pin Assy. (Inc. No. 12) (I/O oversize)	45	33657	Plug, Spark (Champion L-85 or equivalent except for Capcode)
11	32610	Piston & Pin Assy. (Inc. No. 12) (I/O oversize)	45	34046	Restrictor Spark Plug (Canadian Regulated engine) (B-85 restrictor spark plug)
11	32620	Piston & Pin Assy. (Inc. No. 12) (I/O oversize)	46	65030	Washer, Flat
12	31910	Ring, Piston Pin Retaining	47	65030	Washer, Bellville
13	32004	Ring Set, Piston (Std.)	48	650692	Screw, Hex Hd. 5/16" - 18 x 1 - 3/4
13	32002	Ring Set, Piston (I/O oversize)	48	650746	Screw, Hex Hd. 5/16" - 18 x 1 - 3/8
13	32005	Ring Set, Piston (I/O oversize)	50	33515	*Gasket, Intake Pipe
13	32003	Ring Set, Piston (I/O oversize)	51	33476	Pin, Intake
13	32024	Ring Set, Piston (I/O oversize)	53	79202B	Screw, Hex Hd. Sems 5/16 - 18 x 7/8
14	33033A	Rod Assy., Connecting (Inc. No's. 15, 16 & 17)	54	33476	*Gasket, Carburetor
15	32077	Bolt, Connecting Rod	55	33477A	Elbow, Air Extension
16	26073	Washer, Connecting Rod	56	650278	Screw, Fil. Hd. Sems, 5/16 - 18 x 1 - 1/8
17	26264	Nut, Lock	57	33478	Link, Governor
18	33170	Camshaft (Mech. Compression Release)	58	31983	Link, Governor Adjusting
19	33472	Liter, Valve (Std.)	59	31984	Clamp, Governor Lever
20	33471	Rad. Push	60	625313	Lockwasher No. 10 E.T.
21	33565	Valve, Intake (Std.)	61	39312	Screw, Hex Washer Hd., 10 - 32 x 1/2
21	33565	Valve, Intake (I/O oversize)	62	625264	*Screw, Flat Hd., 10 - 24 x 7/8
22	33668	Valve, Exhaust (Std.)	63	7976	Nut, Square, 10 - 24
22	33668	Valve, Exhaust (I/O oversize)	64	31985	Plate, Governor Spring
23	33667	Spring, Valve	65	31984A	Lever Assy., Control
24	33508	Returner & Cap Set, Keeper Valve	66	28258	Washer, Valve
25	33509	O-Ring	67	31987	Bushing, Governor Lever
26	33510	Clp, Valve	68	650597	Screw, Hex Washer Hd., 10 - 24 x 5/8
27	33473	Washer, Flat	69	650597	Screw, F.I. Hd., 10 - 24 x 2
28	33511	Washer, Flat	71	33590	Spring, Locking
29	33512	Washer, Flat	72	32599	O-Ring
30	31948	Spool, Governor	73	650506	Washer, Lock
31	31567	Gasket, Cylinder Cover	74	33578	Waffle, Blower Housing
32	32085	Cover Assy., Cylinder (Inc. No's. 33, 36, 37, 38, 40, 141)	75	650505	Screw, Hex Hd. Sems, 1/4 - 20 x 5/8
33	31950	Soal, Oil	76	650505	Nut, Flywheel
			77	610000	Flywheel
			78	650504	Nut, Flywheel
			79	610900	Magneto, Solid State (Inc. No's. 158 thru 160A)

\*INDICATES PARTS INCLUDED IN GASKET SET KEY NO. 173)

### REPAIR PARTS

ROPER 14 H.P. GARDEN TRACTOR-MODEL NUMBER T4328BR  
TECUMSEH 4 CYCLE ENGINE-MODEL NUMBER OH140-160038R

ALL ENGINE PARTS MUST BE PURCHASED THROUGH AND SERVICE PERFORMED BY YOUR LOCAL TECUMSEH DEALER.



### REPAIR PARTS

ROPER 14 H.P. GARDEN TRACTOR-MODEL NUMBER T4328BR  
TECUMSEH 4 CYCLE ENGINE-MODEL NUMBER OH140-160038R

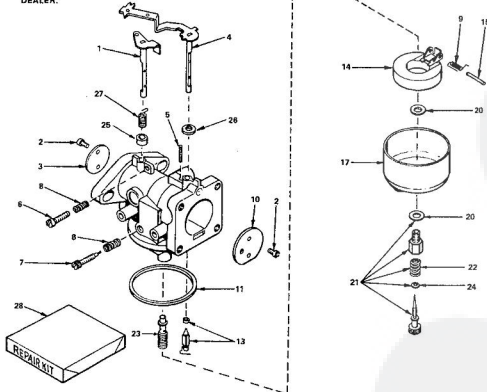
KEY NO.	PART NO.	DESCRIPTION	KEY NO.	PART NO.	DESCRIPTION
80	650661	Screw, Fil. Hd. w/Conical Spring Lockwasher, 1/4" - 20 x 3/4	125	34379	Spacer, Screen
81	33479	Extension, Blower Housing	126	34376	Screen Assy., Blower Housing (Inc. No. 34377)
82	36088	Screw, Hex Hd. Sems. 1/4" - 20 x 1/2	127	34377	Seal, Guard
83	650751	Screw, Hex Hd. w/Conical Spring Washer, 1/4" - 20 x 1/16	128	34346	Decal, Name & Instruction
84	33775A	Housing, Blower	128A	34387	Instruction Decal
85	8274	Lockwasher, Split, 5/16"	129	34316	Decal, Name
86	650565	Screw, Hex Hd., 5/16" - 24 x 3/8	130	32564	Decal, Air Cleaner
87	650752	Screw, Hex Hd. Sems., 1/4" - 20 x 7/16	131	610988	Regulator, Rectifier (Inc. No.'s 137 & 137A)
88	33481	"O" Ring	132	610921	Connector
89	33482	Housing, Rocker Arm	133	610990	Connector
90	33487	Yoke Guide Kit (Inc. No. 93)	134	610922	Terminal
91	720195	Ring, Retaining	135	610989	Terminal
92	34315	Ring, Retaining	136	610992	Terminal
93	33464	Washer, Flat	137	610991	Terminal
94	650168	Screw, Flange Hex Hd., 1/4" - 20 x 28/32	138	33468	Screw, Hex Hd., Oil Filler
95	32485	Arm, Rocker	140	28673	Gasket, Oil Fill Tube
96	32486	Ring, Retaining	141	31927	Plug, Pipe (2/8" - 18 Ga. Hd.)
97	650755	Screw, Adjusting	142	32958	Fitting, Fuel Pump
98	650466	Nut, Hex	144	32959	Pump, Impulse Fuel
99	650756	Screw, Adjusting	144A	33010	Repair Kit, Impulse Fuel Pump
100	33487	"O" Ring	145	35461	Camo, Fuel Line
101	650756	Screw, Adjusting	146	32577	Cover, Cylinder (See Note 1)
102	33488	Cover, Rocker Arm	147	610208	Screw, Hex Hd. Sems. 5/16" - 18 x 7/8
103	31668	Gasket, Breather	147A	650738	Screw, Pan Hd., 10 - 16 x 3/8
104	33489	Body Assy., Breather	148	610602	Cap Assy., Alternator (Inc. No.'s 151, 152 & 152A)
105	33490	Tube, Breather	149	650521	Screw, Fil. Hd. Sems 10 - 32 x 1 - 1/4"
106	30102	Screw, Hex Washer Hd. Sems. w/Mastic Coating, 1/4" - 20 x 5/8	153	650781	Screw, Hex Hd. Sems. 5/16" - 18 x 11
107	650738	Screw, Hex Washer Hd. Spinalock th'd Coating, 1/4" - 20 x 5/8	155	31971	Gasket, Shim (205/005 thick, see note 1)
110	22906	Filter, Pre-Air	156	31972	Gasket, Shim (205/007 thick, see note 1)
111	33492	Gasket, Air Cleaner	157	30031	Spacer, Steel (010 thick, see note 1)
112	33777	Bracket, Air Cleaner	158	610118	Cover, Spark Plug
113	33778	Bracket, Air Cleaner	159	610260	Terminal
114	650289	Screw, Fil. Hd. Sems. 10 - 32 x 5/8	160	610408	Nut, Hex. 8 - 32
115	22907	Element, Air Cleaner	162A	610606	Terminal
116	22904	Cover, Air Cleaner	161	610903	Connector, Pyramid
117	650513	Nut, Hex	162	610605	Terminal
118	33495	Cover, Cylinder Head	162A	610904	Terminal
119	27028	Washer, Lock	163	32962	Terminal
120	650608	Screw, Truss Hd. 1/4" - 28 x 1 - 3/8	167	34367	Line, Fuel
121	650609	Screw, Truss Hd. 1/4" - 28 x 1 - 9/16	169	27953	Clip, Corbel
122	34378	Spacer, Screen	170	28842	Screw, Hex Hd. Sems. 10 - 32 x 3/8
123	34379	Spacer, Screen	171	33832	Motor, Starter (12 Volt) (Inc. No. 152)
124	34378	Spacer, Screen	172	632032	Carburetor (Inc. No. 64)
			173	33816A	Gasket Set (Inc. items marked *)

\*Indicates Parts Included in Gasket Set Key No. 173  
NOTE: Determine the gap between the cover and the machined surface on the cylinder, which can be from .001" up to .007" in which case no shim gaskets will be required. Use of gaskets must be limited to a combined total of .010" thick. Steel spacers must be used as required to eliminate crankshaft end play.

### REPAIR PARTS

ROPER 14 H.P. GARDEN TRACTOR-MODEL NUMBER T4328BR  
TECUMSEH 4 CYCLE ENGINE-MODEL NUMBER OH140-160038R

CARBURETOR NO. 632032  
ALL ENGINE PARTS MUST BE PURCHASED THROUGH AND SERVICE PERFORMED BY YOUR LOCAL TECUMSEH DEALER.

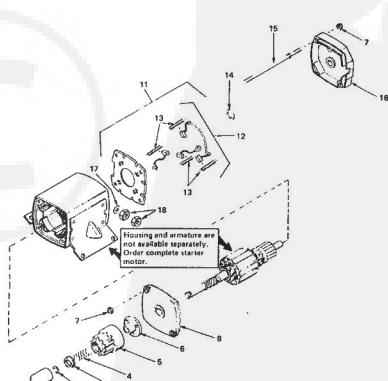


KEY NO.	PART NO.	DESCRIPTION	KEY NO.	PART NO.	DESCRIPTION
1	631681	Shaft & Lever Assy., Throttle (Inc. Key No. 2)	11	27109	*Gasket, Bowl-to-Body
2	30357	Screw, Rd. Hd., 6 - 32 x 3/16 (Early Production)	13	632024	*Valve, Seat & Spring Assy. (Inc. No. 9)
3	650506	Screw, Pan Hd. 4 - 40 x 3/16 (Late Production)	14	27105	Float
4	631682	Shutter, Throttle	15	27106	*Shaft, Float
5	631683	Shaft & Lever Assy., Choke (Inc. Key No. 2)	17	29170	Bowl, Fuel
6	27113	Spring, Choke Stop	20	27110	*Gasket, Bowl-to-Body
7	650289	Screw, Throttle Adjusting	21	631764	*Needle Assy., Power Adjusting (Inc. No's 20, 22, & 24)
8	27112	Spring, Throttle Adjusting	22	630788	Needle, Main
9	27114	Spring, Adjusting	24	27444	"O" Ring
10	632017	Spring, Float Shaft	26	632028	Seal, Throttle Shaft Dust
			28	632040	Seal, Choke Shaft Dust
			29	32096	Spring, Throttle Return
			28	632033	Repair Kit (Inc. items marked *)

### REPAIR PARTS

ROPER 14 H.P. GARDEN TRACTOR-MODEL NUMBER T4328BR  
TECUMSEH 4 CYCLE ENGINE-MODEL NUMBER OH140-160038R

STARTER MOTOR NO. 33835  
ALL ENGINE PARTS MUST BE PURCHASED THROUGH AND SERVICE PERFORMED BY YOUR LOCAL TECUMSEH DEALER.



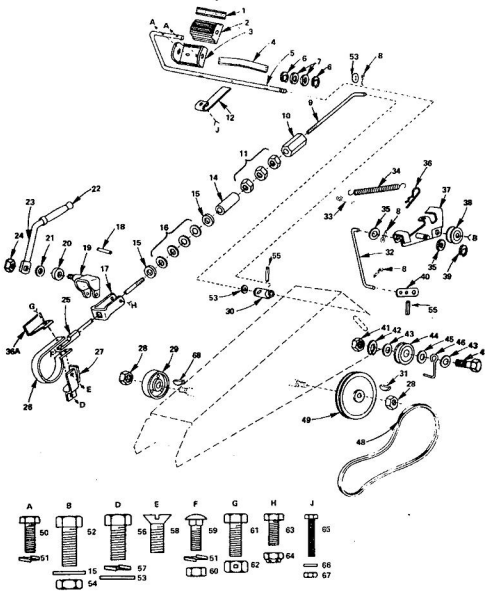
KEY NO.	PART NO.	DESCRIPTION	KEY NO.	PART NO.	DESCRIPTION
1	33841	Cover, Dust	12	33849	Brush & Spring Kit (Inc. 4 pos. of No. 13)
2	33842	Ring, Retainer	13	33850	Spring, Brush
3	33843	Retainer, Spring	14	500650	Washer, Thrust
4	33844	Screw, Anti-Dirt	15	33511	Bolt, 10 - 32 x 1-1/4
5	33845	Cap, Engaging	16	33852	Cap Assy., Commutator end
6	33433	Nut, Engaging	17	650168	Washer, Flat
7	33450	Nut, Lock	18	650723	Nut, Hex
8	33845	Cap Assy., Drive End			
11	33848	Carb Assy., Brush (Inc. No. 12)			



**REPAIR PARTS**

ROPER 16T GARDEN TRACTOR-MODEL NO. T6328AR

**BRAKE AND CLUTCH**



**REPAIR PARTS**

ROPER 16T GARDEN TRACTOR-MODEL NO. T6328AR

**BRAKE AND CLUTCH**

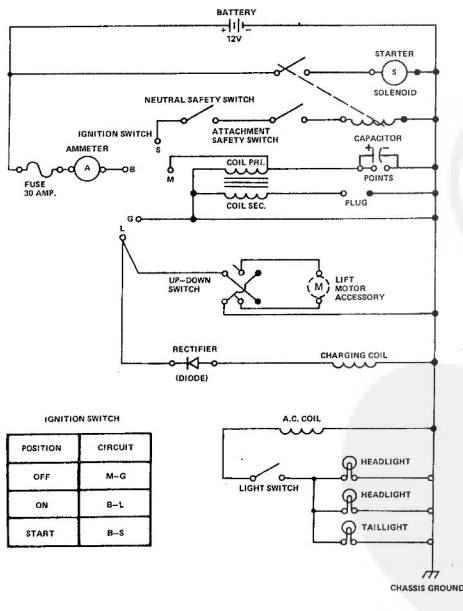
KEY NO.	PART NO.	DESCRIPTION	KEY NO.	PART NO.	DESCRIPTION
1	8899R	Insert Clutch-Brake	37	634A754	Inlet Bracket Weldment
2	882FR	Foot Pedal	38	8636H	U-bolts
3	8165H	Foot Pedal Bracket	39	5002P	E-Ring
4	9008H	Spring	40	634A888	Support Arm Assembly
5	1113	E-Ring	41	5000P	*Hex Nut 7/16 - 14 UNC
6	5005P	Foot Pedal Shaft	42	1001P	*Lockwasher 7/16
7	1527P	Washer 21/32 x 7/8 x 16 Ga.	43	1544P	Washer 15/32 x 15/16 x 16 Ga.
8	2005P	Corset Pin 1/8 x 3/4	44	6636H	Flat Washer
9	2002R	Brake Rod - Front	45	1520P	Washer 4/8 I.D. x 1 - 1/8 x 11 Ga.
10	8617H	Handlock	46	6479H1	Ball Finger
11	501P	*Hex Nut 3/8 - 16 UNC	47	3262P	*Hex Bolt 7/16 - 14 x 2 - 1/2
12	7823R	Safety Switch Actuator	48	2082R	Valve
14	2201R	Washer 13/32 x 13/16 x 11 Ga.	49	6461H2	Pulley, Transmission
15	1581P	Washer 13/32 x 13/16 x 11 Ga.	50	3002P	*Hex Bolt 1/4 - 20 x 3/4
16	2263R	Spring Washer	51	1002P	Lockwasher 1/4
17	9686R	Parking Brake Yoke	52	3052P	*Fin. Hex Bolt 3/8 - 24 x 1
18	1254	Rod Pin	53	1513P	Washer 13/32 x 13/16 x 16 Ga.
19	634A887	Lock Bracket Assembly	54	548P	*Hex Jam Nut 3/8 - 24 UNF
20	2221R	Spacer	55	5142H	Roll Pin
21	5099H	Spring Washer	56	3022P	*Hex Bolt 3/8 - 16 x 7/8
22	4379H	Handle Grip	57	1004P	Lockwasher 3/8
23	626A341	Parking Lock Handle Assembly	58	3164P	Flat Hd. Machine Screw - Undercut 3/8 - 16 x 3/4
24	7810H	Spring Castorlock Nut 3/8 - 24 UNF	59	111P	So. Neck Carriage Bolt 1/4 - 20 x 5/8
25	626A365	Brake Rod Assembly	60	5003P	*Hex Nut 1/4 - 20 UNC
26	634A167	Brake Rod and Lining	61	3158P	*Hex Bolt 5/16 - 18 x 7/8
27	634A158	Brake Bracket Assembly	62	1889H	Locknut 5/16 - 18 UNC
28	5204H	Lock Nut 1/2 - 20 UNF	63	5246P	Hex Bolt 1/4 - 20 x 5/8 Gt. 5
29	7868H1	Brake Arm Assembly	64	5074H	Hex Nut 1/4 - 28 UNF
30	634A899	Brake Arm Assembly	65	3238P	Hex Hd. Mach. Screw 5 - 22 x 1
31	8688H1	Woodruff Key	66	1567P	Washer 5/32 x 3/8 x 20 Ga.
32	9288R	Clutch Rod	67	5026P	Centerlock Nut 6 - 32 UNC
33	2514P	*Cutler Pin 1/4 x 1	68	1728H	Woodruff Key
34	6488H	Spring			
35	1587P	*Washer 11/32 x 1 - 11/16 x 21 Ga.			
36	4936M	Resistor Spring			
36A	544J	Hose Shield			

\*STANDARD HARDWARE-PURCHASE LOCALLY

**REPAIR PARTS**

16T GARDEN TRACTOR-MODEL NO. T6328AR

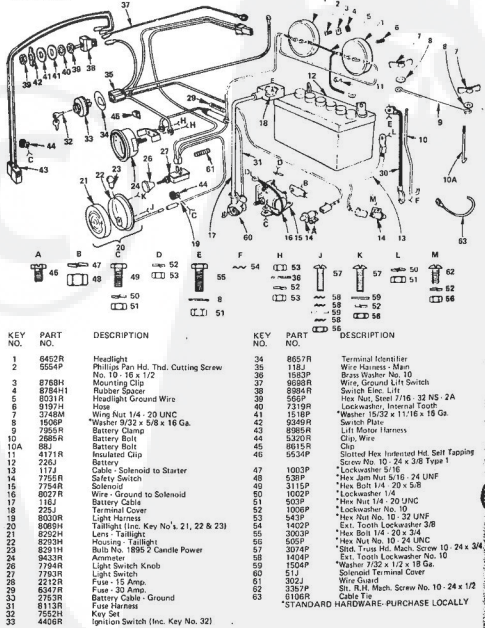
**ELECTRICAL**



**REPAIR PARTS**

ROPER 16T GARDEN TRACTOR-MODEL NO. T6328AR

**ELECTRICAL**



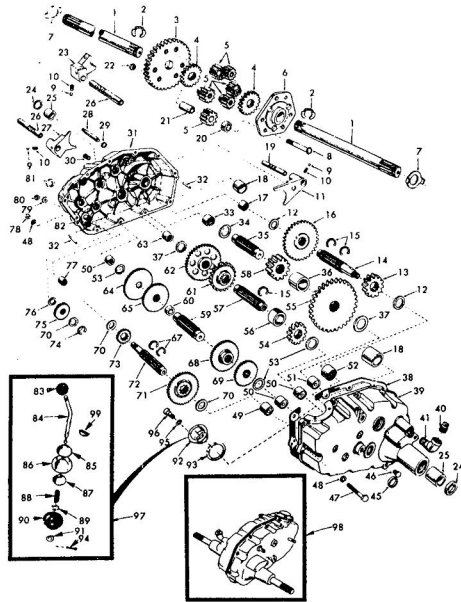
KEY NO.	PART NO.	DESCRIPTION	KEY NO.	PART NO.	DESCRIPTION
1	6452R	Headlight	34	8657R	Terminal Identifier
2	5554P	Phillips Pan Hd. Thrd. Cutting Screw No. 10 - 18 x 1/2	35	118J	Wire Harness - Main
3	8748H	Mounting Clip	36	1883P	Wire, Ground Lift Switch
4	8764H1	Rubber Gasket	37	8688R	Switch Line - Lift
5	8031R	Headlight Ground Wire	38	8864R	*Hex Nut Steel 7/16 - 32 NS - 2A
6	9127H	Hose	39	556P	Lockwasher, Integral Tooth
7	3748M	Wing Nut 1/4 - 20 UNF	40	7119P	*Washer 15/32 x 11/16 x 15 Ga
8	1506P	*Washer 9/32 x 9/8 x 16 Ga.	41	1518P	Switch Plate
9	7952R	Battery Clamp	42	6566R	Lift Motor Terminals
10	2865H	Battery Bolt	43	8986R	Clip - Wire
10A	881	Battery Bolt	44	8615R	Clip
11	4117R	Battery	45	6524P	Slotted Hex Insulated Hd. Self Tapping Screw No. 10 - 24 x 3/8 Type 1
12	226J	Battery	46	1003P	*Lockwasher 5/16
13	117J	Cable - Solenoid to Starter	47	538P	*Hex Nut 1/4 - 20 x 5/8
14	7955R	Safety Switch	48	5115P	*Lockwasher 1/4
15	7754R	Solenoid	49	1002P	*Hex Nut 1/4 - 20 UNC
16	8027R	Wire - Ground to Solenoid	50	5006P	*Lockwasher No. 10
17	18J	Battery Cable	51	523P	*Hex Nut 1/4 - 20 UNF
18	225J	Terminal Cover	52	1009P	*Lockwasher No. 10
19	8028R	Light Harness	53	3022P	*Hex Nut 1/4 - 20 x 3/4
20	8069H	Taillight (Inc. Key No's 21, 22 & 23)	54	1402P	Ext. Tooth Lockwasher 3/8
21	8252H	Light - Taillight	55	5002P	*Hex Nut 1/4 - 20 x 3/4
22	8253H	Housing - Taillight	56	5004P	*Hex Nut 1/4 - 20 x 3/4
23	8251H	Bulb No. 18W x Candle Power	57	1008P	Ext. Tooth Lockwasher No. 10
24	9423R	Ammeter	58	1504P	*Washer 7/32 x 1/2 x 18 Ga.
25	7764H	Light Switch Knob	59	1008P	Control Terminal Cover
26	7762R	Light Switch	60	302J	Wire Guard
27	2212R	Fuse - 15 Amp.	61	302P	Cl. - W. Mach. Screw No. 10 - 24 x 1/2
28	8547R	Fuse - 30 Amp.	62	3158P	Hex Hd. Mach. Screw No. 10 - 24 x 1/2
29	7753R	Battery Cable - Ground	63	6106R	Clutch Pin
30	8113R	Fuse Harness			
31	7524H	Key Set			
32	7524H	Key Set			
33	4406R	Ignition Switch (Inc. Key No. 32)			

\*STANDARD HARDWARE-PURCHASE LOCALLY

### REPAIR PARTS

ROPER 16T GARDEN TRACTOR—MODEL NO. T6328AR

#### TRANSAXLE



### REPAIR PARTS

ROPER 16T GARDEN TRACTOR—MODEL NO. T6328AR

#### TRANSAXLE

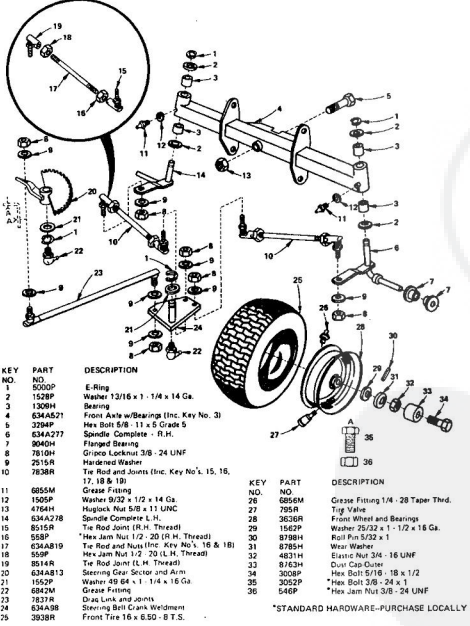
KEY NO.	PART NO.	DESCRIPTION	KEY NO.	PART NO.	DESCRIPTION
1	4197R	Axle Shaft	49	4895H	Needle Bearing
2	5845R	Rotating Ring	50	4227R	Needle Bearing
3	4199R	Final Drive Gear	51	1529R	Needle Bearing
4	4215R	Differential Gear	52	8119R	Needle Bearing
5	4215R	Differential Pinion	53	4220R	Thrust Bearing Race
6	4217R	Axle Thrust Washer	54	4209R	3rd Reduction Pinion - Low
7	6256H	Hex Bolt 3/8 - 24 UNF x 3 - 1/4 (1" Thread Length)	55	4213R	4th Reduction Gear
8	3060P	Steel Ball	56	4442R	3rd Reduction Pinion Spacer
9	7392M	Spring Shift Fork Detent	57	4185R	2nd Reduction Gear Shaft
10	6272H	Shift Fork - High - Low Range	58	4214R	Final Drive Pinion
11	4965R	Thrust Bearing Race	59	4186R	1st Reduction Gear Shaft
12	6256H	4th Reduction Pinion	60	7528R	3rd Reduction Pinion - High
13	4212R	3rd Reduction Gear Shaft	62	4207R	2nd Reduction Gear
14	4156R	4th Reduction Pinion	63	7259R	Needle Bearing
15	6276H	Snap Ring - Crescent Type	64	4203R	Low Speed Gear and 2nd Reduction Pinion Cluster
16	6234G3	High - Low Range Gears	65	4204H	Reverse Gear
17	8118M	Needle Bearing	67	4920H	Snap Ring - Crescent Type
18	8740H	Staggered Iron Bearing	68	4205R	Intermediate Speed Gear
19	6217H	Shift Fork Shaft, High - Low Range	69	4206R	High Speed Gear
20	4218R	Differential Pinion Spacer	70	1370H	Thrust Bearing Race
21	6272H	Shift Fork - Low	71	6234G9	Intermediate and High Speed Gear Shafts
22	7810H	Group Centerlock Nut 3/8 - 24 UNF	72	4183R	Pinions
23	4088R	Shift Fork - Link	73	4201R	Low Speed Pinion
24	7393R	Oil Seal	74	7329R	5 Ring
25	5923H	Staggered Iron Bearing	75	1153R	Reverse Idler Gear
26	6215H	Shift Fork Shaft	76	5029R	Reverse Idler Thrust Washer
27	6215H	Shift Fork - R.H.	77	5029R	Needle Bearing
28	6215H	Shift Fork, High - Low Range	78	5029R	Hex Nut 5/16 - 18 UNC
29	6218H	Oil Seal	79	1167R	Hex Jam Nut 7/16 - 20 UNF
30	5856H	Pressure Relief Valve	80	641P	Hex Jam Nut 7/16 - 20 UNF
31	6334B5	Gearcase, Reverse Idler Shaft and Bearings - R.H. (Inc. Key No's. 17, 18, 25, 33, 30, 63, 76, 77 and 82)	81	6209H	Seal
32	6277H	Oil Seal	82	7384H	Reverse Idler Shaft
33	4225R	Needle Bearing	83	7876R	Control Knob
34	7395H	Thrust Bearing Race	84	8551R	Gear Shifts Lever - Bent
35	4180R	4th Reduction Gear Shaft	85	4019R	Gear Shifts Cap
36	4220R	Thrust Bearing Race	86	6334B5	Gear Shifts Ball Cover and Pin
37	7395H	Thrust Bearing Race	87	6799H	Shifts Low Guide Ball - Keyed
38	6275H	Gearcase and Bearings - L.H. (Inc. Key No's. 18, 25, 43, 60 (2), 61 and 62)	88	4924H	Spring
39	6334B4	Gearcase and Bearings - L.H. (Inc. Key No's. 18, 25, 43, 60 (2), 61 and 62)	89	1823P	Washer 1/22 x 5/32 x 1/8 Gs.
40	4002P	Pipe Plug 1/2 - 18 N.P.T.	90	8105R	Shift Mechanism Seal
41	4002P	Street Elbow 90° 1/2 - 1/4 N.P.T.	91	1609P	Washer 8/16 x 1/16 x 11 Gs.
42	6271H	Oil Seal	92	787	Shift Gear
43	4001P	Pipe Plug 1/4 - 18 N.P.T.	93	6274H	Shift Ball Cover Gasket
44	3087P	Hex Bolt 5/16 - 18 x 1 - 1/2 Grade 5	94	7305P	Control 1/8 x 3/4
45	1007P	Lockwasher 5/16 Extra Heavy	95	1003P	Lockwasher 5/16
			96	6334B2	Hex Bolt 5/16 - 18 UNC x 7/8
			97	6334B2	Gear Shifts Lever Ass'y.
			98	6334B3	Transaxle Assembly Lens Brake Drum
			99	7835M	Shift Lever Woodruff Key 1/8 x 1/2

\*STANDARD HARDWARE—PURCHASE LOCALLY

### REPAIR PARTS

ROPER 16T GARDEN TRACTOR—MODEL NO. T6328AR

#### FRONT AXLE

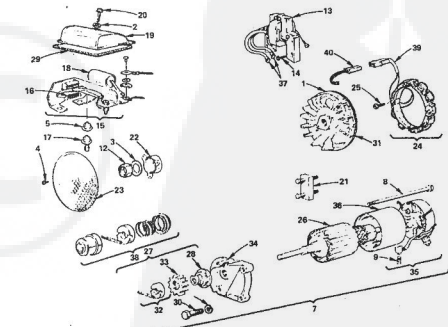


### REPAIR PARTS

16T GARDEN TRACTOR—MODEL NO. T6328AR  
BRIGGS AND STRATTON ENGINE—MODEL NO. 401417, TYPE NO. 0127-01

#### STARTER MOTOR GROUP

ALL ENGINE PARTS MUST BE PURCHASED THROUGH AND SERVICE PERFORMED BY YOUR LOCAL BRIGGS AND STRATTON DEALER.



KEY NO.	PART NO.	DESCRIPTION	KEY NO.	PART NO.	DESCRIPTION
1	392356	Flywheel and Ring	21	192203	Pulley - Flywheel (Optional Equip.)
2	221027	Washer	22	229274	Cup - Screen Mousing
3	222211	Washer - Spring	23	229873	Screen Flush Rotating
4	92635	Screw - Setm	24	383474	Starter - Alternator
5	280222	Self - Plunger	25	93821	Screw - Setm
6	96366	Lockwasher	26	252737	Armature Assembly
7	350177	Motor - Starting	27	381481	Drive Ass'y. - Starter
8	93687	Thru Bolt	28	381135	Clutch Ass'y. - Starter
9	381705	Brush Set	29	271039	Gasket - Breaker Box
10	230674	Nut - Hex	30	91182	Screw - Hex 5/16 - 18 x 1 - 1/2
11	383329	Armature Assembly	31	281882	Gear - Flywheel Ring (Inc. Mfg. Parts)
12	93381	Screw - Armature Mtg. Sem	32	381482	Retainer and Pin Assembly
13	283503	Washer - Insulation	33	280124	Gear - Starter
14	26018	Spring - Breaker Arm	34	393029	Drive End Cap
15	383503	Washer - Breaker	35	383010	Housing Assembly
16	392912	Condenser	36	392744	Terminal - Ignition Cable
17	212250	Gear - Breaker Point	37	392746	Terminal - Ignition Cable
18	212250	Gear - Breaker Point	38	392744	Pinion Spring
19	39264	Screw - Setm	39	392466	Disc and Connector Ass'y.
			40	393282	Alternator-Harness Ass'y.

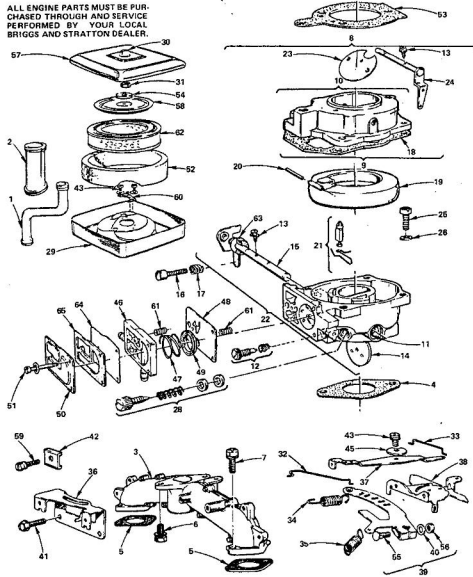
\*STANDARD HARDWARE—PURCHASE LOCALLY

### REPAIR PARTS

16T GARDEN TRACTOR-MODEL NO. T6328AR  
BRIGGS AND STRATTON ENGINE-MODEL NO. 401417, TYPE NO. 0127-01

#### AIR CLEANER-CARBURETOR GROUP

ALL ENGINE PARTS MUST BE PUR-  
CHASED THROUGH AND SERVICE  
PERFORMED BY YOUR LOCAL  
BRIGGS AND STRATTON DEALER.



### REPAIR PARTS

16T GARDEN TRACTOR-MODEL NO. T6328AR  
BRIGGS AND STRATTON ENGINE-MODEL NO. 401417, TYPE NO. 0127-01

#### AIR CLEANER-CARBURETOR GROUP

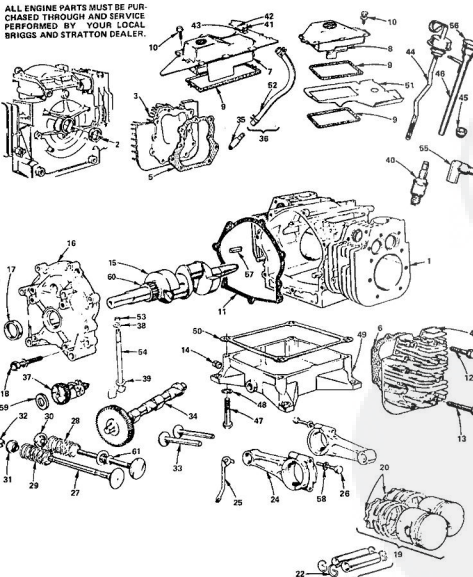
KEY NO.	PART NO.	DESCRIPTION	KEY NO.	PART NO.	DESCRIPTION
1	280165	Tube - Breather	32	261444	Link - Governor
2	280198	Tube - Intake	33	261460	Link - Speed Control
3	302070	Manifold As'y - Intake	34	261446	Spring - Governor
4	271815	*Gasket - Carb. Mtg.	35	261487	Spring - Governed Mfg.
5	270854	*Gasket - Intake Manifold Mtg.	36	222007	Bracket - Speed Control
6	63415	Screw - Carb. Mtg. Sem	37	222828	Leve - Speed Control
7	92206	Screw - Intake Manifold Mtg. Sem	38	392033	Plate As'y - Governor Control
8	362806	Carburetor As'y.	39	392943	Lever As'y. - Governor
9	362897	Body As'y. - Upper Carb.	40	222893	Washer
10	362893	Body - Upper Carb.	41	63868	Screw - Sem
11	23108	Bushing - Throttle Shaft	42	222535	Clamp - Casing
12	392961	*Valve As'y. - Carb. Idle	43	63866	Screw - Sem
13	93469	Screw - Throttle and Choke Valve Mtg. Sem	45	231172	Bushing - Speed Control
14	222433	Valve - Throttle	46	280197	Body - Pump
15	362872	Shaft and Lever - Throttle	47	261395	*Spring - Pump
16	91920	Screw - Mech. Fil. Hd. 8 - 32 x 5/8	48	222619	Cover - Diaphragm
17	26197	Spring - Throttle Adj.	49	221377	*Cap - Spring
18	271008	*Gasket - Carburetor Body	50	222698	Screw - Diaphragm Cover
19	298514	Floet - Carburetor	52	270998	Element - Air Cleaner
20	230990	*Pin - Floet Hinge	53	271014	Gasket - Air Cleaner
21	299098	*Valve - Fuel Inlet	54	271180	Washer
22	362886	*Pin - Floet Hinge	55	63853	Ball - Governor Lever
23	222010	Valve - Choke	56	92278	Screw - Air Cleaner
24	922813	Spring - Float Lever - Choke	57	222763	Cover - Air Cleaner
25	90764	Screw - Machine, Fil. Hd. 10/32 x 5/8	58	222835	Cartridge Plate - Air Cleaner
26	92290	Washer - Lock 10 x 1/16 x 3/64	59	392943	Mounting Strap As'y. - Air Cleaner
28	392125	Jet - Main	60	261358	*Spring
29	62276	Body - Air Cleaner	61	392942	Strap - Air Cleaner
30	212297	Knob - Air Cleaner	62	392942	Strap - Air Cleaner
31	53715	Nut - Hex	63	271013	*Washer - Choke Shaft
			64	270998	*Diaphragm - Damaging
			65	271025	*Gasket - Carb. Pump
				392728	Gasket Set (Includes Parts Marked *)
				363301	Carburetor Overhaul Kit (Includes Parts Marked *)

### REPAIR PARTS

16T GARDEN TRACTOR-MODEL NO. T6328AR  
BRIGGS AND STRATTON ENGINE-MODEL NO. 401417, TYPE NO. 0127-01

#### CYLINDER, CRANKSHAFT AND ENGINE BASE GROUP

ALL ENGINE PARTS MUST BE PUR-  
CHASED THROUGH AND SERVICE  
PERFORMED BY YOUR LOCAL  
BRIGGS AND STRATTON DEALER.



### REPAIR PARTS

16T GARDEN TRACTOR-MODEL NO. T6328AR  
BRIGGS AND STRATTON ENGINE-MODEL NO. 401417, TYPE NO. 0127-01

#### CYLINDER, CRANKSHAFT AND ENGINE BASE GROUP

KEY NO.	PART NO.	DESCRIPTION	KEY NO.	PART NO.	DESCRIPTION
1	362274	Cylinder Assembly	28	92909	Screw - Connecting Rod
2	391098	Seal - Oil	27	390420	Valve - Exhaust
3	212199	Head - Cylinder No. 1	29	65906	Spring - Intake Valve
4	212180	Head - Cylinder No. 2	28	26828	Spring - Exhaust Valve
6	270984	*Gasket - Cylinder Head No. 1	30	221596	Retainer - Intake Valve
8	270983	*Gasket - Cylinder Head No. 2	31	262700	Retainer - Exhaust Valve
7	363243	Breather Assembly No. 1	32	93630	Retainer - Exhaust Valve Retocol
9	363153	Breather Assembly No. 2	33	261368	Tappet - Valve
9	27853	*Gasket - Valve Cover	34	212173	Gear - Cam
10	65295	Screw - Sem	35	67216	Elbow - Connector
11	270982	*Gasket - Crankcase Cover 1/64" Thick	36	392244	Pipe - Fuel
11	271145	*Gasket - Crankcase Cover 000" Thick	37	392773	Gear - Governor
11	271146	*Gasket - Crankcase Cover 000" Thick	38	220663	Washer - Gov. Crank (outside)
13	92111	Jet - Main Assembly	39	93857	Washer - Gov. Crank (inside)
13	62110	Screw - Cylinder Head (2 - 5/16" Long)	40	392585	Plug - Seal (Resistor)
14	91084	Plug - Oil Drain	41	90576	Nut - Hex 8 - 32
15	362308	Crankshaft	42	231174	Terminal
16	362372	Cover Assembly - Crankcase	43	280180	Grommet - Insulator
17	261675	Seal - Oil	44	392781	Cap and Dipstick - Oil Filter
18	93847	Screw - Crankcase Cover Mtg. Sem	45	68828	Seal - Filter Tube
19	362371	Piston Assembly - Standard	46	392782	Tube - Oil Filter
19	363343	Piston Assembly - .010" O.S.	47	93783	Screw - Hex Hd.
19	363344	Piston Assembly - .020" O.S.	48	92206	Washer
19	363345	Piston Assembly - .030" O.S.	49	393412	Base - Engine
20	363277	Ring Set - Piston - Standard	50	270981	*Gasket - Engine Base
20	363300	Ring Set - Piston - .010" O.S.	51	222700	Ball - Air
20	363341	Ring Set - Piston - .020" O.S.	52	93953	Clamp - Fuel Pipe
20	363342	Ring Set - Piston - .030" O.S.	53	93851	Retainer - E-Ring
22	269924	Lock - Piston Pin	54	393309	Crank - Governor
23	229591	Pin Assembly - Piston - Standard	55	69536	Elbow - Spark Plug
23	361296	Pin Assembly - Piston - .005" O.S.	56	270933	Seal - Oil Filter Cap
24	362370	Rod Assembly - Connecting	57	61160	Key - Flywheel
25	222480	Dipper - Connecting Rod	58	220863	Washer
			59	222773	Washer - Thrust
			60	261363	Gear - Timing
			61	392279	Seal As'y and Retainer

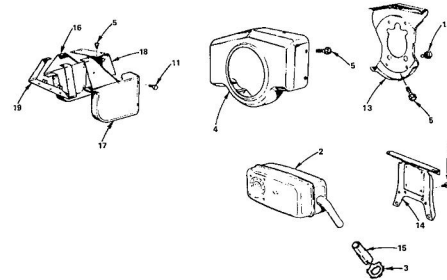
\*Inc. in Gasket Set - 392778

### REPAIR PARTS

16T GARDEN TRACTOR—MODEL NO. T6328AR  
BRIGGS AND STRATTON ENGINE—MODEL NO. 401417, TYPE NO. 0127-01

#### MUFFLER, AIR GUIDE AND HOUSING GROUP

ALL ENGINE PARTS MUST BE PURCHASED THROUGH AND SERVICE PERFORMED BY YOUR LOCAL BRIGGS AND STRATTON DEALER.



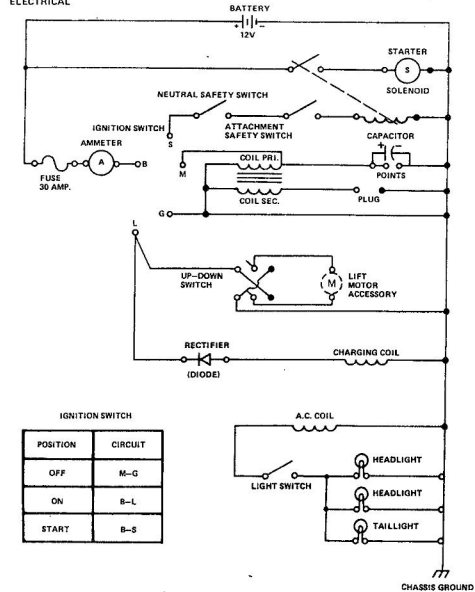
KEY NO.	PART NO.	DESCRIPTION	KEY NO.	PART NO.	DESCRIPTION
1	93843	Screw - Semi	13	382934	Back Plate Air/V
2	362999	Muffler - Exhaust	14	222779	Bracket - Muffler
3	91242	Locknut - Muffler	15	221462	Connector - Muffler
4	382681	Housing - Blower	16	382891	Cover Assy. - Air
5	93195	Screw - Sem	17	382892	Cover Assy. - Air
11	93876	Screw - Sem	18	382925	Rear Inset Assy.
12	93777	Screw - Hex Hd. (Back Plate to Cylinder)	19	222775	Frame - Air Guide

**OPTIONAL EQUIPMENT**  
382154 Spark Arrester Assembly  
222673 Deflector (Side Outlet)  
93705 Screw (4 Required)

### REPAIR PARTS

16T GARDEN TRACTOR—MODEL NO. T6328BR

#### ELECTRICAL



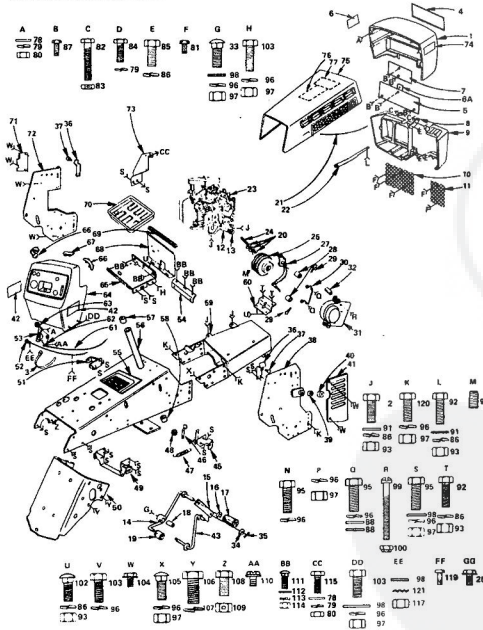
#### WIRING CLIPS AND CABLE TIES

If Clips or Ties were removed for servicing of unit, they should be replaced to properly secure your wiring.

### REPAIR PARTS

ROPER 16T GARDEN TRACTOR—MODEL NO. T6328BR

#### MAIN FRAME, DASH AND GRILL



### REPAIR PARTS

ROPER 16T GARDEN TRACTOR—MODEL NO. T6328BR

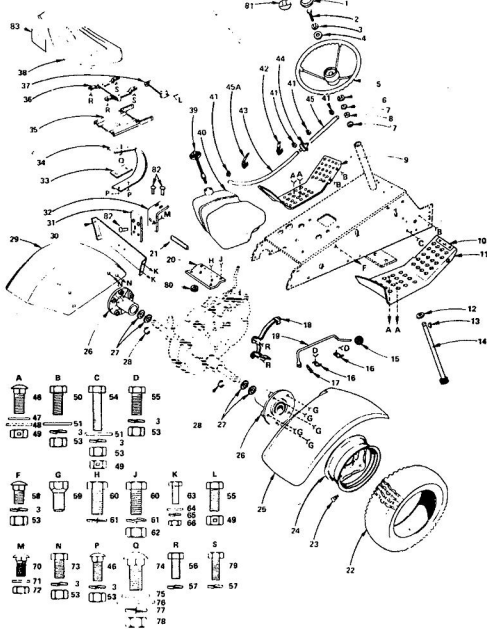
#### MAIN FRAME, DASH AND GRILL

KEY NO.	PART NO.	DESCRIPTION	KEY NO.	PART NO.	DESCRIPTION
1	9111	Grill - Upper	68	1071	Battery Heat Shield
2	302329	Tie - Wire	69	7874R	Hood Seal
3	9106R	Grill - Lower	70	8855R	Battery Tray
4	2451	Grill - Grill	71	381	Cover - L.H.
5	2911J	Grill Panel - Lower	72	1131	Bracket - Battery Support - L.H.
6	16504	Grill	73	1181J	Bracket - Receiver
6A	8768H	Mounting Clip	74	1591J	Decal
7	2861J	Grill Panel - Upper	75	634A027	Hood Assy.
8	888J	Grill - Lower	76	8025R	Decal - Instruction
9	7858R	Grill - Grill	77	291J	Decal - Wiring
10	2874R	Grill Screen - L.H.	78	1006P	*Washer 9/32 x 5/8 x 16 Ga.
11	2876R	Grill Screen - R.H.	79	1007P	*Lockwasher 1/8"
12	4016P	Pipe Nipple 3/8 - 18 N.P.T. x 4 - 1/2"	80	503P	*Hex Nut 1/4 - 20 UNC
13	4016P	Pipe Cap 3/8 - 18 N.P.T.	81	5001P	*Phillips Pan Hd. Tnd. Self Tap 10 - 24 x 3/8 Type T
14	634A011	Link	82	3267P	*Hex Nut 1/4 - 20 x 3/4
15	981	Lock	83	1805H	*Hex Bolt 5/16 - 18 x 3/4
16	921	Push-On Nut	84	3010P	*Lockwasher 5/16"
17	931	Rubber Pad	85	3005P	*Hex Bolt 1/4 - 20 x 3/4
18	911	Pinot Spacer	86	1002P	*Lockwasher 5/16"
19	2851	Foot Pedal	87	5554P	*Phillips Pan Hd. Tnd. Self Tap 10 - 16 Hi-Lu Thrd x 1/2 Blank Point
20	1696P	Washer 1 - 1/16 x 2 x .140	88	1867P	*Washer 13/32 x 13/16 x 1 1/4 Ga.
21	8668R	Grill Bracket	89	1637P	*Washer 1/25 x 11/16 x 16 Ga.
22	1011J	Grill Bracket	90	3011P	*Hex Bolt 5/16 - 18 x 1"
23	401417	Engine, Briggs and Stratton 16 H.P.	91	824P	*Hex Nut 5/16 - 18 UNC
24	8396E	St. Key 1/4 x 2	92	3011P	*Hex Bolt 5/16 - 18 x 1"
25	634A01	New Washer Rd. Thrd. Cutting Screw 1/4 - 20 x 3/4 Type T	93	824P	*Hex Nut 5/16 - 18 UNC
26	634A04	Engine Pulley (Inc. 2 ea. Key No. 94)	94	4546P	*Hex Forged Socket Helless Set Screw CP 5/16 - 18 - 1/2 - Nylok
27	634A732	Spacer	95	3023P	*Hex Bolt 3/8 - 16 x 1"
28	6764H1	Ball Guide Weldment	96	1004P	*Lockwasher 3/8"
29	4029A	Retainer Spring	97	601P	*Hex Nut 3/8 - 18 UNC
30	9611H	Ball Retainer	98	1557P	*Washer 13/32 x 13/16 x 1 1/4 Ga.
31	634A050	Ball Cover Weldment	99	3154P	St. Fl. Hd. Machine Screw 1/4 - 20 x 2 1/4"
32	8228H	Split Spacer	100	347H	Hi-Lock Nut 1/4 - 20 UNC
33	1646P	St. Neck Carriage Bolt 3/8 - 18 x 2 - 1/4"	101	87	*Carriage Bolt 5/16 - 18 x 3/4"
34	3546P	Washer 7/32 x 1 x 16 Ga.	102	3025P	*Hex Bolt 3/8 - 16 x 1 - 1/4"
35	634A000	Cutter Pin 1/8 x 1"	103	5557P	*Hex Washer Hd. Thrd. Cutting Screw 1/4 - 20 x 1/2 Type T
36	8457R	Hood Latch	104	5557P	*Hex Washer Hd. Thrd. Cutting Screw 1/4 - 20 x 1/2 Type T
37	634A003	Support Bumper	105	61P	St. Neck Carriage Bolt - Short Shoulder 3/8 - 16 x 1 1/4 Ga.
38	634A003	Battery Support Bracket (Inc. Key 39)	106	3026P	*Hex Bolt 7/16 - 14 x 1 1/4"
39	7756R	Bearing	107	1001P	*Lockwasher 7/16"
40	8068R	Cap	108	3021P	*Hex Bolt 3/8 - 16 x 3/4"
41	7729R	Cover - R.H.	109	5284H	*Locknut 3/8 - 18 UNC
42	2861	Washer 1/25 x 11/16 x 16 Ga.	110	6055P	Hex St. Hd. Machine Screw w/Gms Int. Tooth Lockwasher 10 - 32 x 1/4 St. Neck Carriage Bolt 10 - 24 x 1/2
43	634A002	Washer 7/32 x 7/16 x 18 Ga.	111	539P	*Washer 7/32 x 7/16 x 18 Ga.
44	7944R	Lower Weldment	112	1535P	*Lockwasher 10
45	7944R	Ball Lockwasher R.H. - Front	113	1506P	*Lockwasher 10
46	7944R	Ball Lockwasher L.H. - Front	114	509P	*Hex Nut 10 - 24 UNC
47	7944R	Return Spring	115	3114P	*Hex Bolt 1/4 - 20 x 1/2"
48	634A014	Locknut 3/8 - 24 UNF	116	3027P	*Hex Bolt 3/8 - 16 x 1 - 1/2"
49	634A014	Locknut 3/8 - 24 UNF	117	1559P	*Hex Nut 3/8 - 24 UNF
50	634A014	Locknut 3/8 - 24 UNF	118	2614P	*Center Pin 1/4 x 1"
51	634A014	Locknut 3/8 - 24 UNF	119	5552P	*Serrated Pan Hd. Self Tap Screw No. 8 x 3/4 Type AB
52	7151H	Choke Control (Inc. Key 61, 62 & 63)	120	3137P	*Hex Bolt 3/8 - 16 x 1 - 1/4 Gr. 5
53	671	Lock	121	1402P	Ext. Tooth Lockwasher 3/8"
54	921	Adjuster Bar			
55	921	Adjuster Bar			
56	634A888	Chassis Assy. (Inc. Key 57 & 58)			
57	9468H	Bearing			
58	4766H	Bearing			
59	634A006	Ball Mount Assy.			
60	951	Grill Spacer			
61	1637100	Tractor Wheel Caping			
62	8204R	Clamp			
63	1637100	Tractor Control Knob			
64	634A893	Dashboard (Inc. Key No's. 66 and 67)			
65	634A893	Battery Support			
66	1998R	Clip - Dashboard			
67	8571R	Clip - Dashboard, Center			

\*STANDARD HARDWARE—PURCHASE LOCALLY

### REPAIR PARTS

ROPER 16T GARDEN TRACTOR-MODEL NO. T6328BR  
STEERING AND FINAL DRIVE



### REPAIR PARTS

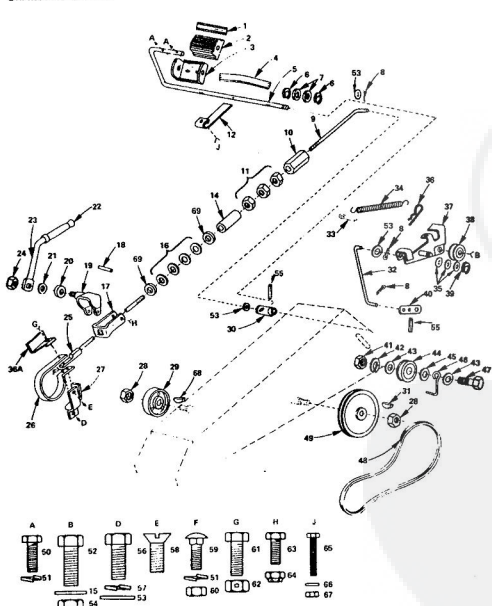
ROPER 16T GARDEN TRACTOR-MODEL NO. T6328BR  
STEERING AND FINAL DRIVE

KEY NO.	PART NO.	DESCRIPTION	KEY NO.	PART NO.	DESCRIPTION
1	9716R	Steering Wheel Insert	45	G1P	Sp. Nk. Sht. Sht. Car. Bolt 3/8 x 1 1/2
2	3022P	*Hex Bolt 3/8 - 16 x 1	47	1613P	Washer 13/32 x 13/16 - 16 Ga.
3	1004P	Lockwasher 3/8	48	1519P	Washer 15/32 x 1 x 12 Ga.
4	1555P	Washer 7/16 x 1 x 10 Ga.	49	5201H	Locknut 3/8 UNC
5	3064R	Steering Wheel	50	3022P	*Hex Bolt 3/8 - 16 x 1 1/2
6	5001P	E-Ring	51	1557P	Washer 13/32 x 13/16 x 11 Ga.
7	9007H	Cap	53	501P	*Hex Nut 3/8 - 16 UNC
8	5948H	Rubber Bushing	54	3022P	*Hex Bolt 3/8 - 16 x 1 1/2
9	7903R	Foot Rest - L.H.	55	3022P	*Hex Bolt 3/8 - 16 x 7/8
10	8900R	Decal (Front Chutch)	56	2010P	*Hex Bolt 5/16 - 18 x 3/4
11	7904R	Foot Rest - R.H.	57	1003P	*Lockwasher 5/16
12	1552P	Washer 5/8 x 1 - 1/4 x 16 Ga.	58	18P	*Sp. Neck Carriage Bolt 3/8 - 16 x 3/4
13	9858M1	Woodruff Key 3/16 x 5/8	59	1304H	*Hex Bolt 7/16 - 14 x 1
14	6344S2	Steering Shaft and Pinion Control Knop	60	3004P	*Hex Bolt 7/16 - 14 UNC
15	6344H	Shift Rod Bracket	61	1001P	*Lockwasher 7/16
16	6442H	Shift Rod Guide	62	500P	*Hex Nut 7/16 - 14 UNC
17	2011P	*Corner Pin 3/16 x 1	63	3003P	*Hex Bolt 1/4 - 20 x 3/4
18	63442A	Belt Guide	64	1548P	*Washer 9/32 x 5/8 x 16 Ga.
19	8074R	Transmission Bracket	65	1002P	*Lockwasher 1/2
20	9594R	Rear Tire 23 x 9.50 - 12	66	503P	*Hex Nut 1/4 - 20 UNC
21	8074R	Seat Stop	70	8P	*Short Shoulder Sp. Neck Carriage Bolt 5/16 - 18 x 3/4
22	3838R	Rear Wheel 12 x 7 JA	71	1531P	*Washer 11/32 x 11/16 x 16 Ga.
23	795R	Fender - R.H.	72	1602H	Lock Nut 5/16 - 18 UNC
24	3838R	Rear Wheel 12 x 7 JA	73	3021P	*Hex Bolt 3/8 - 16 x 3/4
25	8429B2	Rear Wheel Hub and Bushing	74	52P	Carriage Bolt 1/2 - 13 x 1 - 14 Ga. 5
26	7583R	Asse Thrust Washer	75	1518P	Washer 24 x 1 - 1/8 x 11 Ga.
27	7583R	Retaining Ring	76	1560P	*Lockwasher 1/2
28	9427R	Fender - L.H.	77	1000P	*Hex Nut 1/2 - 13 UNC
29	3856R	Bracket - Tail Light	78	5021H	*Hex Nut 1/2 - 13 UNC
30	175J	Seat Stop Bracket	79	3158P	*Hex Bolt 1/8 - 18 x 7/8
31	175J	Seat Stop Bracket	80	9541H	Rubber Grommet
32	175J	Seat Stop Bracket	81	235J	Steering Wheel Decal
33	8141H	Seat Spring Reinforcement	82	174J	Rubber Bumper
34	9888R	Seat Plate Weldment	83	245J	Decal
35	634475	Seat Plate Weldment	84	1624J	Warranty Fact Tag
36	634452	Bracket - Seat Feet	85	1616J	Owner's Manual
37	7891R	Bracket - Seat Feet			
38	9744R	Seat			
39	1229J	Fuel Gauge			
40	7885R	Fuel Tank			
41	8099R	Fuel Line Clamp			
42	2751R	Clip - Fuel Line			
43	8373R	Fuel Line (Clamp)			
44	206J	In-Line Filter			
45	35J	Fuel Line			
46	35J	Clip - Fuel Line			
47	5237R				

\*STANDARD HARDWARE - PURCHASE LOCALLY

### REPAIR PARTS

ROPER 16T GARDEN TRACTOR-MODEL NO. T6328BR  
BRAKE AND CLUTCH



### REPAIR PARTS

ROPER 16T GARDEN TRACTOR-MODEL NO. T6328BR  
BRAKE AND CLUTCH

KEY NO.	PART NO.	DESCRIPTION	KEY NO.	PART NO.	DESCRIPTION
1	8899R	Insert Clutch-Brake	37	634A764	Inter-Bracket Weldment
2	882R	Foot Pedal	38	6636H	U-bolts
3	9175H	Foot Pedal Bracket	39	3022P	E-Ring
4	9003H	Spring	40	634A88B	Steering Arm Assembly
5	111J	Foot Pedal Shaft	41	500P	*Hex Nut 7/16 - 14 UNC
6	5001P	E-Ring	42	1001P	*Lockwasher 7/16
7	1529P	Washer 21/32 x 7/8 x 16 Ga.	43	1544P	*Washer 15/32 x 15/16 x 18 Ga.
8	2905P	Corner Pin 1/8 x 3/4	44	6659H	Belt Idler
9	2202R	Brake Rod - Front	45	1520P	Washer .469 I.D. x 1 - 1/8 x 11 Ga.
10	6511H	Turnbuckle	46	5429H	Belt Pinger
11	501P	*Hex Nut 3/8 - 16 UNC	47	3202P	*Hex Bolt 7/16 - 14 x 2 - 1/2
12	7822R	Safety Shift Actuator	48	2662R	V-Belt
13	1557P	Washer 13/32 x 13/16 x 11 Ga.	49	6461H	Pulley, Transmission
14	2201R	Bushing	50	3003P	*Hex Bolt 1/4 - 20 x 3/4
15	1557P	Washer 13/32 x 13/16 x 11 Ga.	51	1002P	*Lockwasher 1/2
16	2263R	Spring Washer	52	3052P	*Fin. Hex Bolt 3/8 - 24 x 1
17	9886R	Parking Brake Yoke	53	1513P	*Washer 13/32 x 13/16 x 18 Ga.
18	1704H	Roll Pin	54	548P	*Hex Jam Nut 3/8 - 24 UNF
19	634A88B	Lock Bracket Assembly	55	1429H	Roll Pin
20	2221R	Spacer	56	3022P	*Hex Bolt 3/8 - 16 x 7/8
21	5999H	Spring Washer	57	1004P	*Lockwasher 3/8
22	4376H	Handle Grip	58	3164P	Fast. Hex. Machine Screw - Undercut 3/8 - 16 x 3/4
23	626A241	Parking Lock Handle Assembly	59	111P	Sp. Neck Carriage Bolt 1/4 - 20 x 5/8
24	7810H	Clutch Lock Nut 3/8 - 24 UNF	60	503P	*Hex Nut 1/4 - 20 UNC
25	676A365	Brake Rod Assembly	61	3153P	*Hex Bolt 5/16 - 18 x 7/8
26	82A211	Brake Band Assembly	62	1685H	Locknut 5/16 - 18 UNC
27	634A168	Brake Bracket Assembly	63	3246P	*Hex Bolt 1/4 - 20 x 5/8 G. 5
28	9204H	Lock Nut 1/2 - 20 UNF	64	9011H	Hex Nut 1/4 - 28 UNF
29	114J	Roll Pin	65	3226P	Hex Nut, Wash. Screws 6 - 32 x 1
30	634A899	Brake Arm Assembly	66	1567P	Washer 5/32 x 3/8 x 20 Ga.
31	9888M1	Woodruff Key	67	2228M	Woodruff Key
32	9288R	Clutch Rod	69	1602P	Washer 13/32 x 5/8 x 11 Ga.
33	1514P	*Corner Pin 1/4 x 1			
34	6486H	Spring			
35	1167P	*Washer 1/32 - 1 - 1/16 x 21 Ga.			
36	4933M	Retainer Spring			
36A	544J	Hose Shield			

\*STANDARD HARDWARE - PURCHASE LOCALLY



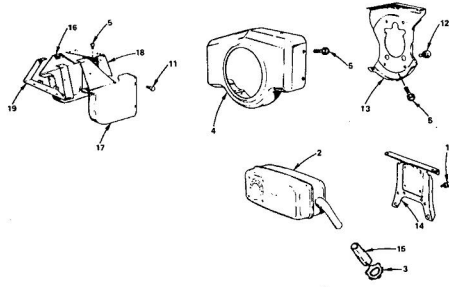


**REPAIR PARTS**

16T GARDEN TRACTOR-MODEL NO. T63288R  
BRIGGS AND STRATTON ENGINE-MODEL NO. 401417, TYPE NO. 0127-01

**MUFFLER, AIR GUIDE AND HOUSING GROUP**

ALL ENGINE PARTS MUST BE PURCHASED THROUGH AND SERVICE PERFORMED BY YOUR LOCAL BRIGGS AND STRATTON DEALER.



KEY NO.	PART NO.	DESCRIPTION	KEY NO.	PART NO.	DESCRIPTION
1	93643	Screw - Sems	13	392934	Back Plate Ass'y.
2	392999	Muffler - Exhaust	14	222776	Bracket - Muffler
3	91547	Locknut - Muffler	15	231462	Connector - Muffler
4	392681	Housing - Blower	16	392981	Cover Ass'y. - Air
5	93198	Screw - Sems	17	392982	Cover Ass'y. - Air
11	93976	Screw - Hex Hd. (Back Plate to Cylinder)	18	393025	Rear Insert Ass'y.
12	93777	Screw - Hex Hd. (Back Plate to Cylinder)	19	222775	Frame - Air Guide

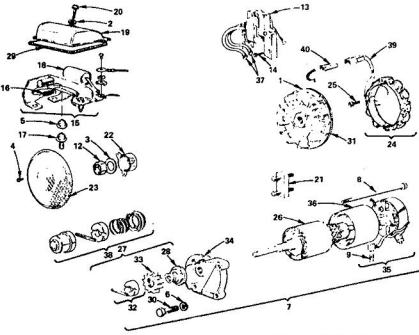
OPTIONAL EQUIPMENT  
392194 Sock - Arrestor Assembly  
222973 Deflector (Side Outlet)  
93709 Screw (6 Required)

**REPAIR PARTS**

16T GARDEN TRACTOR-MODEL NO. T63288R  
BRIGGS AND STRATTON ENGINE-MODEL NO. 401417, TYPE NO. 0127-01

**STARTER MOTOR GROUP**

ALL ENGINE PARTS MUST BE PURCHASED THROUGH AND SERVICE PERFORMED BY YOUR LOCAL BRIGGS AND STRATTON DEALER.



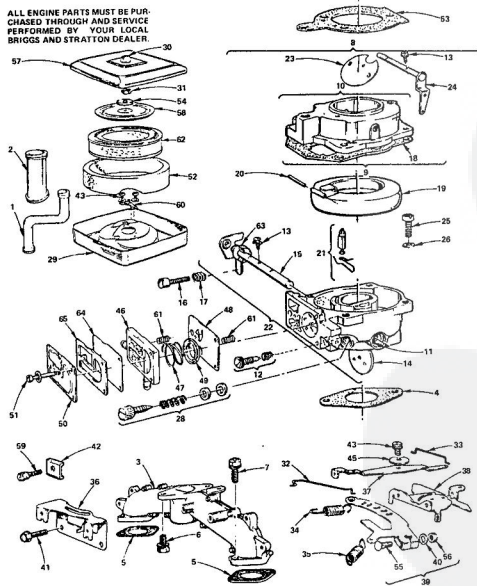
KEY NO.	PART NO.	DESCRIPTION	KEY NO.	PART NO.	DESCRIPTION
1	392966	Flywheel and Ring	21	19203	Pulley - Flywheel (Optional Eq.)
2	271037	Washer	22	222674	Cup - Screen Mounting
3	222511	Washer - Spring	23	222673	Screen Flute Rotating
4	93805	Screw - Sems	24	393474	Stator - Alternator
5	280222	Shaft - Plunger	25	93921	Screw - Sems
6	90368	Lockwasher	26	392747	Armature Assembly
7	392017	Motor - Starting	27	391461	Drive Ass'y. - Starter
8	93887	Thru Bolt	28	391135	Clutch Ass'y. - Starter
9	391705	Brush Set	29	271039	Gasket - Breaker Box
10	239264	Nut - Hex	30	91162	Screw - Hex Hd. 5/16 - 18 x 1-1/2
13	392329	Armature Assembly	31	391382	Gear - Flywheel Ring Inc. Mfg. Parts
14	93381	Screw - Armature Mfg. Sem	32	391462	Retaine and Pin Assembly
15	393463	Breaker Ass'y. - Ignition	33	280104	Gear - Startr
16	28218	Screw - Ignition	34	392602	Driver End Cap
17	393450	Plunger - Breaker	35	393010	Commutator End Cap Ass'y. - Starter
18	392912	Connector	36	392744	Housing Assembly
19	212219	Cover - Breaker Point	37	271798	Terminal - Ignition Cable
20	93854	Screw - Sems	38	392354	Kit - Pinion Spring
			39	393456	Diode and Connector Ass'y.
			40	393362	Alternator Harness Ass'y.

**REPAIR PARTS**

16T GARDEN TRACTOR-MODEL NO. T63288R  
BRIGGS AND STRATTON ENGINE-MODEL NO. 401417, TYPE NO. 0127-01

**AIR CLEANER-CARBURETOR GROUP**

ALL ENGINE PARTS MUST BE PURCHASED THROUGH AND SERVICE PERFORMED BY YOUR LOCAL BRIGGS AND STRATTON DEALER.



**REPAIR PARTS**

16T GARDEN TRACTOR-MODEL NO. T63288R  
BRIGGS AND STRATTON ENGINE-MODEL NO. 401417, TYPE NO. 0127-01

**AIR CLEANER-CARBURETOR GROUP**

ALL ENGINE PARTS MUST BE PURCHASED THROUGH AND SERVICE PERFORMED BY YOUR LOCAL BRIGGS AND STRATTON DEALER.

KEY NO.	PART NO.	DESCRIPTION	KEY NO.	PART NO.	DESCRIPTION
1	280185	Tube - Breather	32	261444	Link - Governor
2	280188	Tube - Intake	33	261460	Link - Speed Control
3	392970	Manifold Ass'y. - Intake	34	261446	Spring - Governor
4	271015	*Gasket - Carb. Mfg.	35	261487	Spring - Governor Idle
5	270884	*Gasket - Intake Manifold Mfg.	36	279507	Bracket - Speed Control
6	90415	Screw - Carb. Mfg. Sem	37	222628	Lever - Speed Control
7	92708	Screw - Intake Manifold Mfg. Sem	38	392933	Plate Ass'y. Governor Control
8	392806	Carburetor Ass'y.	39	392943	Lever Ass'y. - Governor
9	282207	Body Ass'y. - Upper Carb.	40	222280	Washer
10	393283	Body - Upper Carb.	41	93868	Screw - Sems
11	23108	Bodying - Throttle Shaft	42	221525	Clamp - Cam
12	292681	*Valve Ass'y. - Carb. Idle	43	93866	Screw - Sems
13	93499	Screw - Throttle and Choke Valve Mfg. Sem	44	231172	Bushing - Speed Control
14	222432	Valve - Throttle	45	280197	Body - Pump
15	362672	Shaft and Lever - Throttle	46	261395	*Spring - Pump
16	91620	Screw - Mach. Fil. Hd. B - 32 x 5/8	47	270988	*Diaphragm
17	26187	Spring - Throttle Adj.	48	211777	*Cap - Spring
18	271008	*Gasket - Carburetor Body	49	222115	Cover - Diaphragm
19	28514	Float - Carburetor	50	222115	Cover - Diaphragm
20	230896	*Pin - Flgat Hinge	51	93829	Screw - Diaphragm Cover
21	269606	*Valve - Fuel Inlet	52	271180	Washer
22	362665	Body - Lower Carb.	53	270988	Element - Air Cleaner
23	222010	Valve - Choke	54	92278	Nut - Hex 10 - 24
24	362673	Shaft and Lever - Choke	55	222532	Cover - Air Cleaner
25	90764	Screw - Machine, Fil. Hd. 10/32 x 5/8	56	222835	Cartridge Plate - Air Cleaner
26	92290	Washer - Lock 10 x 1/16 x 3/64	57	93465	Screw - Sems
28	391325	Jet - Main Assembly	60	392943	Mounting Strap Ass'y. - Air Cleaner
29	222751	Body - Air Cleaner	61	261556	*Spring
30	212292	Knob - Air Cleaner	62	392642	Cartridge - Air Cleaner
31	93715	Nut - Hex	63	271013	Washer - Choke Shaft
			64	270989	*Diaphragm - Damper
			65	271026	*Gasket - Carb. Pump
			...	392378	Gasket Set (Includes Parts Marked *)
			...	393301	Carburetor Overhaul Kit (Includes Parts Marked *)

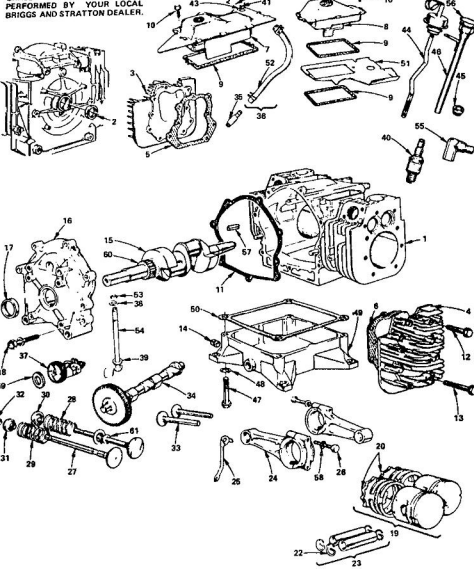
Click Here to upgrade to  
Unlimited Pages and Expanded Features

**REPAIR PARTS**

16T GARDEN TRACTOR - MODEL NO. T6328BR  
BRIGGS AND STRATTON ENGINE - MODEL NO. 401417, TYPE NO. 0127-01

**CYLINDER, CRANKSHAFT AND ENGINE BASE GROUP**

ALL ENGINE PARTS MUST BE PURCHASED THROUGH AND SERVICE PERFORMED BY YOUR LOCAL BRIGGS AND STRATTON DEALER.



**REPAIR PARTS**

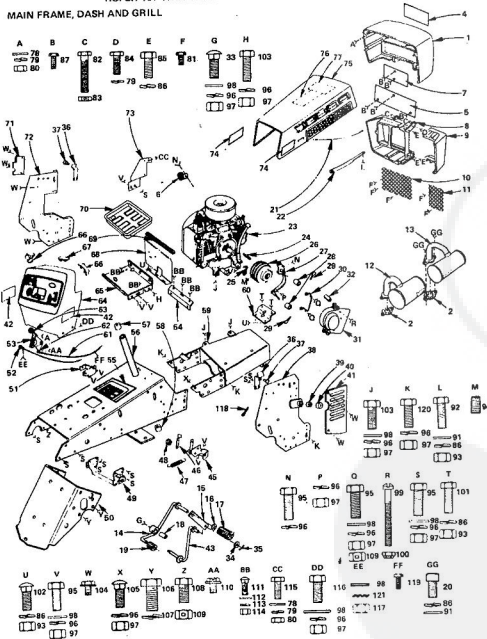
16T GARDEN TRACTOR - MODEL NO. T6328BR  
BRIGGS AND STRATTON ENGINE - MODEL NO. 401417, TYPE NO. 0127-01

**CYLINDER, CRANKSHAFT AND ENGINE BASE GROUP**

KEY NO.	PART NO.	DESCRIPTION	KEY NO.	PART NO.	DESCRIPTION
1	392274	Cylinder Assembly	26	92009	Screw - Connecting Rod
2	391085	Seal - Oil	27	260420	Valve - Exhaust
3	212179	Head - Cylinder No. 1	28	68006	Spring - Intake Valve
4	212180	Head - Cylinder No. 2	29	26023	Spring - Exhaust Valve
5	270984	Gasket - Cylinder Head No. 1	30	221506	Retainer - Intake Valve
6	270985	Gasket - Cylinder Head No. 2	31	202560	Retainer - Exhaust Valve
7	392343	Breather Assembly No. 1	32	98350	Retainer - Exhaust Valve Retainer
8	391103	Breather Assembly No. 2	33	201568	Tappet - Valve
9	27203	Gasket - Valve Cover	34	215173	Gear - Cam
10	93294	Screw - Pin	35	60716	Elbow - Connector
11	270982	Gasket - Crankcase Cover 1/8" Thick	36	982244	Gear - Governor
11	271145	Gasket - Crankcase Cover .005" Thick	37	392273	Washer - Gov. Crank (outside)
12	211446	Crankshaft	38	220863	Washer - Gov. Crank (inside)
12	93111	Screw - Cylinder Head (1 - 15/16" Long)	39	98552	Plug - Spark (Retain)
13	93113	Screw - Cylinder Head (2 - 5/16" Long)	40	392268	Nut - Hex 8 - 32
14	91084	Plug - Oil Drain	41	90576	Terminal
15	392268	Crankshaft	42	23114	Grommet - Insulator
16	392272	Seal - Oil	43	280180	Cap and Dipstick - Oil Filter
17	291675	Cover - Crankcase Cover Mfg. Sem	44	392181	Seal - Filler Tube
18	93247	Piston - Standard	45	68838	Tube - Oil Filler
19	392271	Piston Assembly - Standard	46	392782	Screw - Hex Hd.
19	392343	Piston Assembly - .020" O.S.	47	92762	Washer
19	392344	Piston Assembly - .020" O.S.	48	922412	Base - Engine
19	392345	Piston Assembly - .020" O.S.	50	279861	Gasket - Engine Base
20	392277	Ring Set - Piston - Standard	50	279861	Ball - Valve
20	392343	Ring Set - Piston - .020" O.S.	52	93053	Clamp - Fuel Pipe
20	392344	Ring Set - Piston - .020" O.S.	53	93051	Retainer - E-Stop
20	392345	Ring Set - Piston - .020" O.S.	54	393339	Drain - Governor
20	392242	Ring Set - Piston - Standard	55	60230	Washer - Spare Plug
22	290254	Lock - Piston	56	270033	Seal - Oil Filler Cap
23	290991	Pin Assembly - Piston - Standard	57	61760	Key - Flywheel
23	291265	Pin Assembly - Piston - .005" O.S.	58	220862	Washer
24	392270	Rod Assembly - Connecting	58	222773	Washer - Thrust
25	222460	Dipper - Connecting Rod	60	201363	Gear - Timing
			61	392279	Seal As'y. and Retainer

**REPAIR PARTS**

ROPER 18T TWIN-GARDEN TRACTOR - MODEL NO. T8328AR  
MAIN FRAME, DASH AND GRILL



**REPAIR PARTS**

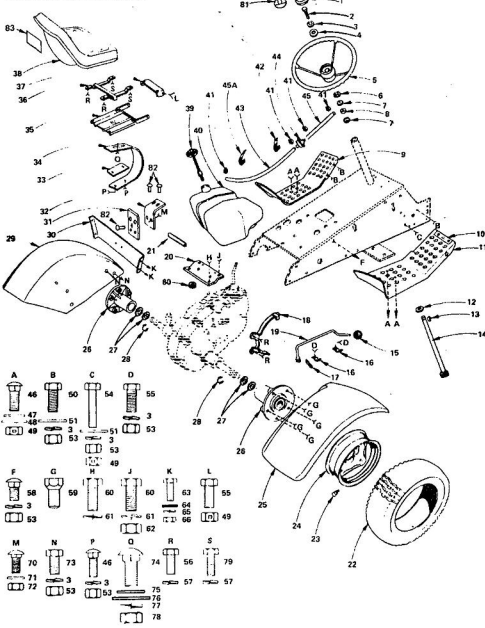
ROPER 18T TWIN-GARDEN TRACTOR - MODEL NO. T8328AR  
MAIN FRAME, DASH AND GRILL

KEY NO.	PART NO.	DESCRIPTION	KEY NO.	PART NO.	DESCRIPTION
1	911J	Grill - Upper	68	107J	Battery Heat Shield
2	876J	Gasket - Exhaust Manifold	69	787AR	Hood Seal
3	245J	Decal - R.H.	70	885AR	Battery Tray
4	291J	Grill - Panel - Lower	71	85J	Cover - L.H.
5	52200R	Wire - Coil	72	113J	Bracket - Battery Support - L.H.
7	290J	Grill - Lower - Upper	73	98J	Bracket - Rectifier
7	7937R	Grill - Lower - Lower	74	246J	Decal - Roper Logo
9	7938R	Grill - Side	75	634AR01	Hood As'y.
10	2014R	Grill Screen - L.H.	76	8025R	Decal - Instruction
11	2073R	Grill Screen - R.H.	77	8880R	Decal - Wiring
12	105J	Muffler - Rear	78	1505P	Washer 5/16 x 5/8 x 16 Ga.
13	104J	Muffler - Front	79	1002P	Lockwasher 1/4"
14	634A001	Padel Weldment	80	583P	Hex Nut 1/4 - 20 UNC
15	92J	Link	81	6501P	Phillips Pan Hd. Thd. Self Tap. 10 - 24 x 3/8 Type 1
16	92J	Push-On Nut	82	2267P	*Hex Bolt 1/4 - 20 x 1 - 1/2 Grade 5
17	53J	Rubber Pad	83	1606H	Locknut 1/4 - 20 UNC
18	91J	Pivot Spacer	84	2003P	Hex Bolt 1/4 - 20 x 3/4
19	263J	Lock - Piston	85	3010P	*Hex Bolt 5/16 - 18 x 3/4
20	3386P	Spec. Hd. Cap Screw 5/16 - 18 x 3/4	86	1003P	Lockwasher 5/16
21	8058R	Grill Cable	87	6554P	*Phillips Pan Hd. Thd. Self Tap. 10 - 18 x 1/2 on Thd. x 1/2 Bunt Point
22	87J	Grill Brace	88	2267P	*Hex Bolt 1/4 - 20 x 1 - 1/2 Grade 5
22	634A010	Engin. Clean 18 N.P. 948M-GAO18(3417A)	89	1537P	Washer 11/32 x 11/16 x 16 Ga.
24	9265R	Sec. Key 1/4 x 2	90	3011P	*Hex Bolt 5/16 - 18 x 1
25	8245R	Belt Retainer Finger	91	604P	*Hex Nut 5/16 - 18 UNC
26	634A104	Engine Pulley w/8 Screws	94	4840P	Hex Forged Socket Helical Set Screw 5/16 - 18 x 1/2
27	634A27	Bolt Guide Weldment	95	3022P	*Hex Bolt 3/8 - 16 x 1
28	8104H1	Spacer	96	1004P	Lockwasher 3/8
29	4935A	Retainer Spring	97	501P	*Hex Nut 3/8 - 16 UNC
30	9011H	Belt Retainer	98	1515P	Washer 13/32 x 13/16 x 16 Ga.
31	634A059	Belt Guard Weldment	99	2154P	Std. Pil. Hd. Machine Screw 1/4 - 20 x 2 - 1/4
32	8238H	Self Spacer	100	347H	Huglock Nut 1/4 - 29 UNC
33	50P	Washer 17/32 x 1 x 16 Ga.	102	9P	*Carriage Bolt 5/16 - 18 x 3/4
34	1548P	Cotter Pin 1/8 x 1	103	3025P	*Hex Bolt 3/8 - 16 x 1 - 1/4
36	634A000	Hood Latch	104	5557P	Hex Washer Hd. Thd. Cutting Screw 1/4 - 20 x 1/2 Type 1
37	9457R	Support Bumper	105	61P	Std. Neck Carriage Bolt - Shriv. Shank 3/8 - 18 x 1 1/2
38	634A003	Battery Support Bracket (Inc. Key 39)	106	3035P	*Hex Bolt 7/16 - 14 x 1 - 1/4
39	7356R	Bearing	107	1001P	Lockwasher 7/16
40	8906R	Cap	108	3021P	*Hex Bolt 3/8 - 16 x 3/4
41	7212R	Cover - R.H.	109	639AH	Hex Sh. Hd. Machine Screw w/Sems Int. Tooth Lockwasher 10 - 22 x 1/4
42	291J	Modal Decal - Side of Dash	110	6055P	Hex Sh. Hd. Machine Screw w/Sems Int. Tooth Lockwasher 10 - 22 x 1/4
43	634A002	Lever Weldment	111	53P	Std. Neck Carriage Bolt 10 - 24 x 1/2
45	634A150	Header Weldment R.H. - Front	112	1536P	Washer 7/32 x 7/16 x 16 Ga.
46	7944R	Belt Tightener Arm	113	1000P	Lockwasher No. 10
47	7948R	Return Spring	114	895P	*Hex Nut 10 - 24 UNC
48	7810R	Locknut 3/8 - 24 UNF	115	2154P	*Hex Bolt 3/8 - 16 x 1 - 1/2
49	634A14	Hanger Weldment - Rear	116	515P	*Hex Nut 3/8 - 24 UNF
50	634A70	Drawbar and Weldnuts	118	2514P	Cotter Pin 1/4 x 1
51	634A55	Hanger Weldment - L.H. - Front	119	5522P	*Slotted Pan Hd. Self Tap. Screw No. 8 x 3/4 Type AB
52	7931R	Choke Control	120	3025P	*Hex Bolt 3/8 - 16 x 1 - 1/4 Ga. 5
53	1518J	Throttle Control (Inc. Key 61, 62 & 63)	121	1402P	East. Tooth Lockwasher - 3/8
54	927J	Decal (Shif. Pattern)			
55	9634R	Chassis As'y. (Inc. Key 57 & 58)			
56	634A88	Bracket			
57	6468H	Bearing			
58	4760H	Throttle Control Lever			
59	634A008	Engine Mount As'y.			
60	96J	Grill Spacer			
61	9903R	Throttle Wire & Casing			
62	8104H2	Spacer			
63	1551J	Throttle Control Lever			
64	634A093	Dashboard (Inc. Key No's. 68 and 67)			
65	102J	Battery Support			
66	1998R	Clip - Dashboard			
67	8911R	Clip - Dashboard			

\* STANDARD HARDWARE - PURCHASE LOCALLY

**REPAIR PARTS**

ROPER 18T TWIN-GARDEN TRACTOR-MODEL NO. T8328AR  
STEERING AND FINAL DRIVE



**REPAIR PARTS**

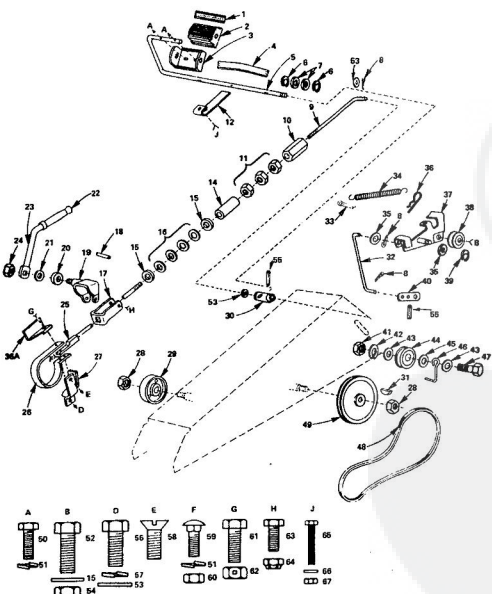
ROPER 18T TWIN-GARDEN TRACTOR-MODEL NO. T8328AR  
STEERING AND FINAL DRIVE

KEY NO.	PART NO.	DESCRIPTION	KEY NO.	PART NO.	DESCRIPTION
1	9719R	Steering Wheel Insert	46	81P	St. Nk. Shit. Carr. Bolt 3.8 1/2 x 1/8
2	3023P	*Hex Bolt 3/8 - 16 x 1	47	1513P	Washer 15/32 x 13/16 x 16 Ga.
3	1004P	*Lockwasher 3/8	48	1518P	Washer 15/32 x 1 x 12 Ga.
4	1659P	Washer 7/16 x 1 x 10 Ga.	49	5294H	Locknut 3/8 UNC
5	2644R	Steering Wheel	50	3025P	*Hex Bolt 3/8 - 18 x 1 - 1/4
6	5003P	E-Ring	51	1561P	Washer 13/32 x 12/16 x 11 Ga.
7	9002H	Cap	53	501P	*Hex Nut 3/8 - 16 UNC
8	5949H	Rubber Bushing	54	3027P	*Hex Bolt 3/8 - 16 x 1 - 1/2
9	7903R	Foot Rest - L.H.	55	3028P	*Hex Bolt 3/8 - 16 x 7/8
10	8900R	Decal (Attach, Clutch)	56	2010P	*Hex Bolt 5/16 - 18 x 3/4
11	7954R	Foot Rest - R.H.	57	1005P	*Lockwasher 5/16
12	1653P	Washer 5/16 x 1 - 1/4 x 16 Ga.	58	18P	*St. Neck Carriage Bolt 3/8 - 16 x 3/4
13	9850M1	Woodruff Key 3/16 x 5/8	59	1304H	Hub Bolt
14	634A26	Steering Shaft and Pinion	60	3034P	*Hex Bolt 7/16 - 14 x 1
15	7887R	Control Knob	61	1001P	*Lockwasher 7/16
16	6442H	Shift Rod Bracket	62	500P	*Hex Nut 7/16 - 14 UNC
17	2511P	Cotter Pin 3/16 x 1	63	2003P	*Hex Bolt 1/4 - 20 x 3/4
18	634A22A	Shift Rod	64	1569P	Washer 5/8 x 5/8 x 16 Ga.
19	8477H	Range Shift Rod	65	1002P	*Lockwasher 1/4
20	9594R	Transmission Bracket	66	503P	*Hex Nut 1/4 - 20 UNC
21	8674R	Seat Stop	70	8P	*Shot Shoulder Sq. Neck Carriage Bolt 5/16 - 18 x 24
22	4607R	Rear Tire 23 x 10.50 - 12	71	1537P	Washer 11/22 x 11/16 x 16 Ga.
23	795R	Tire Valve	72	1885H	Lock Nut 5/16 - 18 UNC
24	3535R	Rear Wheel 2 x 7 JA	73	3021P	*Hex Bolt 3/8 - 18 x 3/4
25	9428R	Fender - R.H.	74	529	Carriage Bolt 1/2 - 13 x 1 - 1/4 Gr. 5
26	634A02	Wheel Hub - Rear	75	1578P	Washer 3/4 x 1 - 1/8 x 11 Ga.
27	9427R	Acute Thread Washer	76	1560P	Washer 17/32 x 1 - 1/2 x 11 Ga.
28	5645R	Retaining Ring	77	1000P	*Lockwasher 1/2
29	9427R	Fender - L.H.	78	520P	*Hex Nut 1/2 - 13 UNC
30	2565R	Bracket - Tail Light	79	3155P	*Hex Bolt 5/16 - 18 x 7/8
31	1251	Seat Stop Bracket	80	9947R	Rubber Grommet
32	1261	Fuel Tank Retainer	81	2361	Stearing Wheel Decal
33	8147H	Seat Spring Reinforcement	82	1241	Rubber Bumper
34	7898R	Seat	83	244J	Decal
35	634A76	Seat Plate Weldment	84	184J	Warranty Fact Tag
36	634A32	Seat Bracket Weldment	85	245J	Owners Manual
37	7977R	Bracket, Seat Pivot			
38	9214R	Seat			
39	7888R	Fuel Gauge			
40	8999R	Fuel Line Clamp			
41	2719R	Clip Fuel Line			
42	7834P	Fuel Line (Long)			
43	285J	In-Line Filter			
44	7833R	Fuel Line (Short)			
45A	9297R	Clip - Fuel Line			

\*STANDARD HARDWARE PURCHASE LOCALLY

**REPAIR PARTS**

ROPER 18T TWIN-GARDEN TRACTOR-MODEL NO. T8328AR  
BRAKE AND CLUTCH



**REPAIR PARTS**

ROPER 18T TWIN-GARDEN TRACTOR-MODEL NO. T8328AR  
BRAKE AND CLUTCH

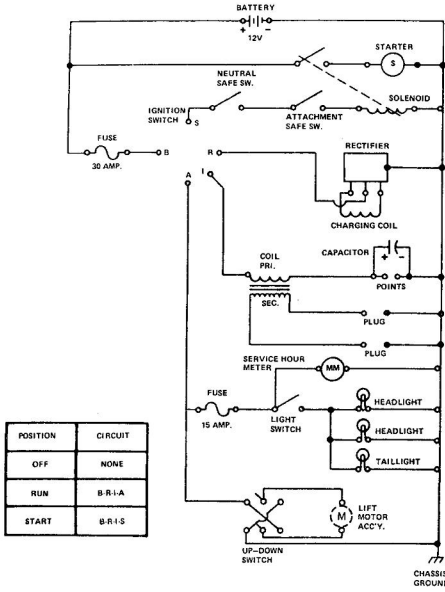
KEY NO.	PART NO.	DESCRIPTION	KEY NO.	PART NO.	DESCRIPTION	
1	8899R	Insert Clutch-Brake	37	634A75A	Idle Bracket Weldment	
2	8822R	Foot Pedal	38	6236H	Idle	
3	8158H	Foot Pedal Bracket	39	5005P	E-Ring	
4	9008H	Spring	40	634A88B	Steering Arm Assembly	
5	1111	Foot Pedal Shaft	41	500P	*Lockwasher 7/16	
6	5001P	E-Ring	42	1001P	*Hex Bolt 7/16 - 14 UNC	
7	1523P	Washer 21/32 x 7/8 x 16 Ga.	43	1544P	Washer 15/32 x 15/16 x 16 Ga.	
8	2505P	Cotter Pin 1/8 x 3/4	44	6835H	Flat Idle	
9	2322R	Brake Rod - Front	45	1520P	Washer - 409 I.D. x 1 - 1/8 x 11 Ga.	
10	6417H	Lardbuckle	46	6479H1	Belt Fender	
11	501P	*Hex Nut 3/8 - 10 UNC	47	3262P	*Hex Bolt 7/16 - 14 x 2 - 1/2	
12	7823R	Safety Spring Actuator	48	2892H	V-Belt	
13	2201R	Bushing	49	6481H2	Pulley, Transmission	
14	1527P	Washer 13/32 x 13/16 x 11 Ga.	50	3035P	*Hex Bolt 1/4 - 20 x 3/4	
15	2263R	Spring Washer	51	1002P	*Lockwasher 1/4	
16	9656R	Parking Brake Yoke	52	3052P	*Hex Bolt 3/8 - 24 x 1	
17	1754	Roll Pin	53	1513P	*Washer 13/32 x 12/16 x 16 Ga.	
18	634A887	Lock Bracket Assembly	54	548P	*Hex Jam Nut 3/8 - 24 UNF	
19	2221R	Parking Brake Spacer	55	5142H	Rift Pin	
20	4379H	Spring Washer	56	3027P	*Hex Bolt 3/8 - 16 x 7/8	
21	5999R	Handle Grip	57	1004P	*Lockwasher 3/8	
22	626A241	Parking Lock Handle Assembly	58	3164P	Flar Hd. Machine Screw - Undercut 3/8 - 16 x 24	
23	7810H	Clutch-Camlock Nut 3/8 - 24 UNF	59	11P	St. Neck Carriage Bolt 1/4 - 20 x 5/8	
24	25	626A365	Brake Rod Assembly	60	505P	*Hex Nut 1/4 - 20 UNC
25	634A157	Brake Band and Lining	61	3155P	*Hex Bolt 5/16 - 18 x 7/8	
26	634A168	Brake Bracket Assembly	62	1855H	Locknut 5/16 - 18 UNC	
27	9259H	Lock Nut 1/2 - 20 UNF	63	3244P	*Hex Bolt 1/4 - 20 x 5/8 Gr. 5	
28	7648H1	Brake Drum	64	9071H	Hex Hd. Mach. Screw 5 - 32 x 1	
29	634A899	Brake Arm Assembly	65	3256P	Washer 5/22 x 3/8 x 20 Ga.	
30	9850M1	Woodruff Key	67	502P	*Conical Nut 5 - 32 UNC	
31	9268R	Cut-off Rod				
32	7514P	Cotter Pin 1/4 x 1				
33	1503P	Spring				
34	6489H	Washer 17/32 x 1 - 1/16 x 21 Ga.				
35	4929M	Retainer Spring				
36A	544J	Hose Shield				

\*STANDARD HARDWARE PURCHASE LOCALLY

### REPAIR PARTS

ROPER 18T TWIN-GARDEN TRACTOR-MODEL NO. T8328AR

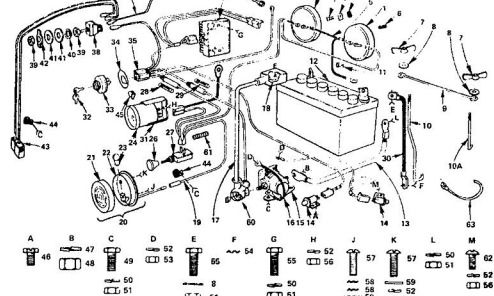
#### SCHEMATIC DIAGRAM



### REPAIR PARTS

ROPER 18T TWIN-GARDEN TRACTOR-MODEL NO. T8328AR

#### ELECTRICAL

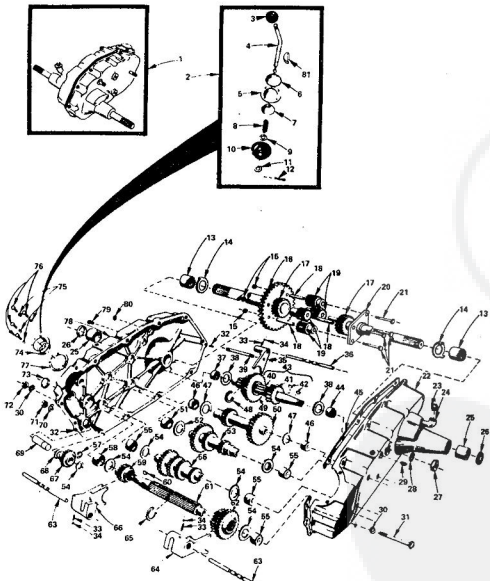


KEY NO.	PART NO.	DESCRIPTION	KEY NO.	PART NO.	DESCRIPTION
1	6452R	Headlight	34	8856R	Terminal Identifier
2	5554P	Pin-Rip Hd. Tnd. Cutting Screw No. 10 - 18 x 1/2	35	8515R	Wire Harness-Magn
3	8195H	Mounting	36	7753R	Regulator-Rectifier
4	8784H1	Rubber Spacer	37	8668R	Wiring Ground Lift Switch
5	8231H	Headlight Ground Wire	38	8864R	Switch-Elec. Lift
6	8197H	Hose	39	555P	Hex Nut, Slim 7/16 x 32 NS-2A
7	3148A	Washer 1/22 x 5/16 x 18 Ga.	40	7318R	Lockwasher-Internal Tooth
8	1506P	Battery Clamp	41	1518P	Washer 1/22 x 11/16 x 18 Ga.
9	795R	Battery Bolt	42	8348R	Switch-Plate
10	2665R	Battery Bolt	43	8856R	1/8" Horse Harness
10A	8813H	Insulated Clip	44	8320R	Clip-Wire
11	4171R	Battery Bolt	45	8913H	Clip
12	221R	Cable-Solenoid to Starter	46	5634P	Socket Hex Induzed Hd. Self Tapping Screw No. 10 - 24 x 3/8 Type 1
13	2235R	Switch	47	1003P	*Lockwasher 5/16
14	7755R	Solenoid	48	538P	*Hex Slim Nut 1/8 - 24 UNF
15	7754R	Wiring Ground to Solenoid	49	3118P	*Hex Bolt 1/4 - 20 x 6/8
16	6027R	Battery Cable	50	1003P	*Lockwasher 1/8
17	116J	Battery Cable	51	603P	*Hex Nut 1/4 - 20 UNF
18	8030R	Light Harness	52	1006P	*Lockwasher 10
19	8030R	Light Harness	53	645P	*Hex Nut No. 10-32 UNF
20	8030H	Tailight (Inc. Key No. 21, 22 & 23)	54	1455P	*Flat Tooth Lockwasher 5/8
21	8225H	Lens - Tailight	55	3003P	*Hex Bolt 1/4 - 20 x 3/4
22	8225H	Holder - Tailight	56	1464P	*Hex Nut No. 10 - 24 UNF
23	8291H	Bulb No. 1895 2 Candle Power	57	3024P	*Std. Truss Hd. Mach. Screw 10 - 24 x 1
24	7195R	Maintenance Meter	58	1464P	*Flat Tooth Lockwasher No. 10
25	7194R	Light Switch Knob	59	1634P	*Washer 7/22 x 1/2 x 18 Ga.
26	7195R	Light Switch	60	811	Standard Terminal Cover
27	221R	Fuse - 15 Amp.	61	302J	Wire Guard
28	624R	Fuse - 30 Amp.	62	235P	Std. R.H. Mach. Screw No. 10 - 24 x 1
29	2753R	Battery Cable - Ground	63	6106R	Cable Tie
30	8956R	Maintenance Meter Bracket			*STANDARD HARDWARE-PURCHASE LOCALLY
31	7852H	Key Set			
32	2683R	Ignition Switch			

### REPAIR PARTS

ROPER 18T TWIN-GARDEN TRACTOR-MODEL NO. T8328AR

#### TRANSAXLE



### REPAIR PARTS

ROPER 18T TWIN-GARDEN TRACTOR-MODEL NO. T8328AR

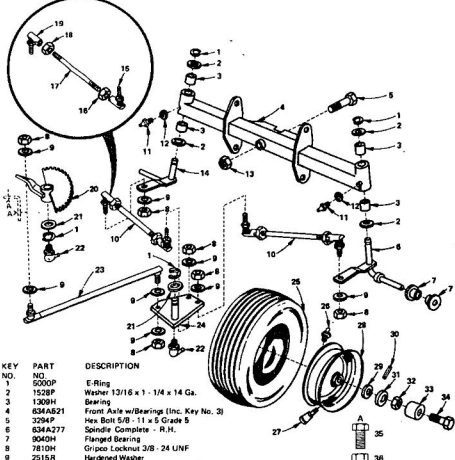
#### TRANSAXLE

KEY NO.	PART NO.	DESCRIPTION	KEY NO.	PART NO.	DESCRIPTION
1	633A9Z	Transaxle Assembly Less Brake Drum & Shift Lever (Inc. Key No's. 13 thru 80)	44	8119M	Neutric Bearing
2	633A8Z	Gear Shift Lever Assembly (Inc. Key No's. 3 thru 12 and 81)	45	6275H	Gasket - Gearcase
3	7987R	Control Knob	46	8117M	Neutric Bearing
4	9636R	Gear Shift Lever	47	7308H	Thrust Bearing Race
5	633A8S	Gear Shift Ball Cover and Pin	48	6278H	Snap Ring - Crescent Type
6	5013H	Gear Shift Cap	49	633A3Z	High - Low Range Gears and Hub
7	8139H1	Shift Lever Guide Ball	50	7395H	4th Reduction Shaft and Gears
8	4924H	Spring	51	7395H	Thrust Bearing Race
9	1544P	Washer 1/22 x 5/16 x 16 Ga.	52	7395H	Thrust Bearing Race
10	8105R	Shift Mechanism Seal	53	633A31	2nd Reduction Shaft and Gears
11	1525P	Washer 9/16 x 15/16 x 11 Ga.	54	1320H	Thrust Bearing Race
12	2605P	Center 1/8 x 3/4	55	4895H	Needle Bearing
13	3239R	Needle Bearing	56	633A3D	Speed Change Gears and Shaft
14	6266H	Axis Thrust Washer	57	5001P	E-Ring
15	7810H	Centerlock Gripco Nut 3/8 - 24 UNF	58	4894H	Needle Bearing
16	8652H	Final Drive Gear	60	6271H	Low Speed Pinion
17	633A7Z	Axle Shaft and Gear	61	9858M1	Woodruff Key
18	8752H1	Bushing - Differential Pinion	62	8218H	Input Shaft
19	8697H	Differential Pinion	63	633A11	Intermediate and High Speed Pinions
20	6263H1	Differential Carrier	64	6216H	Shft. Fork - L.H.
21	3056P	1" Thread Length	66	4219H	Shft. Fork - L.H.
22	633A89	Gear Case and Bearings - L.H.	68	4928H	Snap Ring - Crescent Type
23	4002P	Pipe Plug 1/2 - 14 N.P.T.	69	6809H	Shft. Fork - R.H.
24	4003P	90 Street Elbow 1/2 - 14 N.P.T.	69	7163R	Reverse Idler Gear
25	92281	Sintered Iron Bearing	68	7399H	Reverse Idler Thrust Washer
26	7303R	Oil Seal	70	7884H	Reverse Idler Shaft
27	9204H	Lock Nut	71	1167R	Suling Washer
28	6271H	Oil Seal	71	541P	Hex Jam Nut 7/16 - 20 UNF
29	3001P	Pipe Plug 1/4 - 18 N.P.T.	72	504P	Oil Seal
30	1007P	Lockwasher 5/16 Extra Heavy	73	6270H	Oil Seal
31	3087P	Hex Bolt 5/16 - 18 x 1 - 1/2 Gr. 5	74	76J	Gear Shift Gate
32	6277H	Down Pin	75	1003P	*Lockwasher 5/16
33	6277H	Spring - Shift Fork Detent	76	3158P	*Hex Bolt 5/16 - 18 x 1/8
34	7392A	Shift Fork	77	6274H	Gasket - Shift Ball Cover
35	6209H	Shift Fork - High - Low Range	78	633A30	Gear Case, Reverse Idler Shaft and Bearings R.H.
36	6217H	High - Low Range Shft. Fork Shaft	79	5855H	Pressure Relief Valve
37	8118M	Needle Bearing	80	6206H	Oil Seal
38	6206H	Thrust Bearing Race	81	7825M	Woodruff Key
39	6215H	High - Low Range Shft. Shaft			*STANDARD HARDWARE-PURCHASE LOCALLY
40	6221H	3rd Reverse Gear Shaft			
41	8655H	4th Reduction Pinion			
42	2229M	Woodruff Key			
43	633A3Z	3rd Reduction Shaft and Gear (Inc. Key No's. 40 - 41 & 42)			

**REPAIR PARTS**

ROPER 18T TWIN-GARDEN TRACTOR-MODEL NO. T8328AR

FRONT AXLE



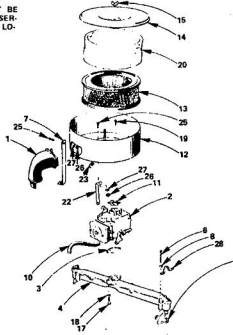
KEY NO.	PART NO.	DESCRIPTION
1	5000P	E Ring
2	1328P	Washer 1/218 x 1 - 1/4 x 14 Ga.
3	1309H	Bearing
4	634B21	Front Axle w/Bearings (Inc. Key No. 3)
5	3295P	Hex Bolt 5/8 - 11 x 5 Grade 8
6	634A277	Spline Complete - R.H.
7	9040H	Flanged Bearing
8	7810H	Grigio Locknut 3/8 - 24 UNF
9	2515R	Handed Washer
10	7838R	Tie Rod and Joints (Inc. Key No. 15, 16, 17, 18 & 19)
11	8855M	Grease Fitting
12	1506P	Washer 9/32 x 1/2 x 14 Ga.
13	4761H	Washlock Nut 5/16 x 11 UNC
14	634A278	Spline Complete L.H.
15	8515R	Tie Rod Joint (R.H. Thread)
16	555P	*Hex Jam Nut 1/2 - 20 (R.H. Thread)
17	634A819	Tie Rod and Nuts (Inc. Key No. 15 & 16)
18	555P	*Hex Jam Nut 1/2 - 20 (L.H. Thread)
19	8514R	Tie Rod Joint (L.H. Thread)
20	634A813	Steering Gear Sector and Arm
21	1552P	Washer 49/64 x 1 - 1/4 x 18 Ga.
22	6842M	Grease Fitting
23	7837R	Disc Lock and Joints
24	634A808	Steering Bell Crank Weight
25	3058R	Front Tire 18 x 8.50 - 8 T.S.

**REPAIR PARTS**

ROPER 18T TWIN-GARDEN TRACTOR-MODEL NO. T8328AR

FUEL SYSTEM GROUP

ALL ENGINE PARTS MUST BE PURCHASED THROUGH AND SERVICE PERFORMED BY YOUR LOCAL ONAN DEALER.



KEY NO.	PART NO.	DESCRIPTION	KEY NO.	PART NO.	DESCRIPTION
1	140-1169	Tube, Air Intake (Air Cleaner to Blower Housing)	15	885-0020	Nut, Wing - Air Cleaner (1/4 - 20)
2	142-0568	*Carburetor, Gasoline (with Integral Fuel Pump)	17	800-0021	Screw, Hex Head Cap (1/4 - 20 x 1 - 3/8)
3	145-0438	*Gasket, Carburetor Mounting	18	850-0040	Washer, Spring Lock (1/4")
4	154-1460	Manifold, Intake	19	815-0463	Screw, Round Head with Nylon Seal (No. 10 - 32 x 6.87)
5	154-1744	*Gasket, Intake - Manifold	20	140-1259	Washer, Air Cleaner Element
6	800-0033	Screw, Hex Head Cap 5/16 - 18 x 2	22	140-1313	Bracket, Air Cleaner Support
7	140-1198	Support, Air Cleaner	23	518-0238	Clip, Bracket, Cable
8	850-0045	Washer, Spring Lock (5/16")	26	800-0003	Screw, Hex Head Cap (1/4 - 20 x 1/2")
10	603-0140	Hose, Fuel Pump Vacuum	28	882-0001	Nut, Hex Steel (1/4 - 20)
11	140-1215	*Gasket, Air Cleaner Mtp.	27	883-0013	Washer, Lock - ET (1/4")
12	140-1212	Housing, Air Cleaner	28	403-1021	Bracket, Lifting
13	140-1216	Element, Air Cleaner			
14	140-1188	Cover, Air Cleaner			

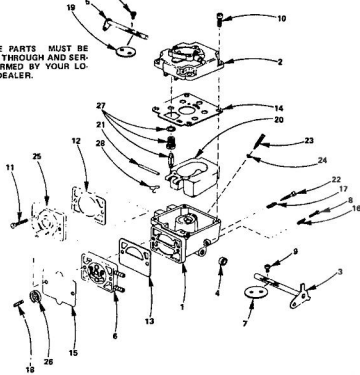
1 - See separate group for components.  
 \* - Included in Gasket Kit, page 29.

**REPAIR PARTS**

ROPER 18T TWIN-GARDEN TRACTOR-MODEL NO. T8328AR  
 ONAN ENGINE-MODEL NO. B48M-GAO18/3417A

CARBURETOR PARTS GROUP

ALL ENGINE PARTS MUST BE PURCHASED THROUGH AND SERVICE PERFORMED BY YOUR LOCAL ONAN DEALER.



KEY NO.	PART NO.	DESCRIPTION	KEY NO.	PART NO.	DESCRIPTION
1	142-0568	Carburetor Assembly, Complete	17	142-0282	*Spring, Idle Needle
11	142-0574	Body Assembly, Lower	18	142-0546	*Spring, Pump Diaphragm
2	142-0573	Stem Assembly	19	142-0546	Float, Choke
3	142-0534	*Shaft Assembly, Throttle	20	142-0547	Float and Lever Assembly
4	142-0526	Packing, Shaft	21	142-0548	*Shaft, Float Lever
5	142-0535	Shaft Assembly, Choke	22	142-0016	*Needle, Idle
6	142-0537	*Valve Plate Assembly	23	142-0549	Needle Assembly, Power
7	142-0538	Flt., Throttle	24	142-0550	*Gasket, "O" Ring
8	142-0584	Screw, Throttle Stop	25	142-0551	Cover, Pump
9	142-0384	*Screw, Flt. Mounting	26	142-0552	*Flt., Pump Spring
10	142-0539	Screw, Bowl Cover Mounting	27	142-0553	*Valve Assembly, Float
11	142-0540	Screw, Pump Cover	28	142-0554	Clp., Float Valve
12	142-0541	*Gasket, Base to Diaphragm	29	142-0571	*Gasket Set (Includes Parts Marked T)
13	142-0542	*Gasket, Flare to Base			
14	142-0572	*Gasket, Stem Assembly to Base			
15	142-0555	*Diaphragm, Pump			
16	142-0544	Spring, Throttle Stop Screw			

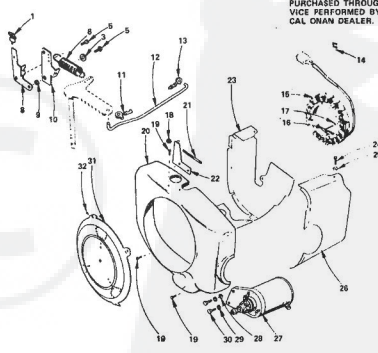
T - Included in 142-0571 Gasket Set  
 \* - Included in 142-0570 Repair Kit

**REPAIR PARTS**

ROPER 18T TWIN-GARDEN TRACTOR-MODEL NO. T8328AR  
 ONAN ENGINE-MODEL NO. B48M-GAO18/3417A

GOVERNOR, STARTER CHARGING ALTERNATOR AND BLOWER HOUSING GROUP

ALL ENGINE PARTS MUST BE PURCHASED THROUGH AND SERVICE PERFORMED BY YOUR LOCAL ONAN DEALER.



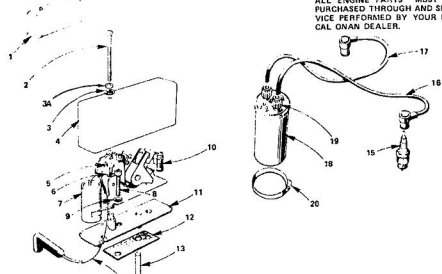
KEY NO.	PART NO.	DESCRIPTION	KEY NO.	PART NO.	DESCRIPTION
1	818-0178	Clp., Throttle Cable	19	815-0201	Screw, Hex Head Cap (1/4 - 20 x 7/16)
3	525-0214	Flat Washer (1 7/8 I.D. x 1/2 O.D. x 1/16 Thick)	20	134-3401	Housing, Blower
5	815-0436	Screw, Hex Cap - Flange Locking (1/4 - 20 x 1/2)	21	150-1418	Shaft, Governor
6	150-1214	Spring, Governor	22	150-1433	Bracket, Governor Control
8	150-1343	Bracket, Governor Mounting	23	134-2885	Housing, Cylinder Air - Left
9	150-1269	Bushing Governor Control Arm, Governor Control	24	815-0290	Screw, Hex Head Cap (1/4 - 20 x 5/8)
10	150-1578	Rod, Governor Control Rod to Governor Arm	25	526-0021	Washer, Flat - Steel (1/2" x 1/8" I.D. x 3/4" O.D. x 1/16" Thick)
11	870-0278	Clp., Governor Control Rod to Governor Arm	26	134-3400	Housing, Cylinder Air - Right
12	150-1350	Rod, Governor Control	27	191-0033	Starter, 12 Volt (For Components see separate group)
13	515-0004	Clp., Governor Control Rod to Carburetor	28	526-0113	Washer, Flat - Steel (1/2" x 1/8" I.D. x 3/4" O.D. x 1/16" Thick)
14	167-0188	Clp., Alternator Lead Support	29	850-0045	Washer, Spring Lock (5/16")
15	191-1102	Stator, Charging Alternator	30	800-0078	Screw, Hex Head Cap (5/16 - 18 x 1")
16	813-0108	Screw Round Head - Steel No. 10 - 32 x 1 - 1/2"	31	134-3213	Cover, Blower Housing
18	870-0131	Nut, Hex No. 10 - 32	32	815-0278	Screw, Int. Hex Head w/ET (No. 14 x 1/2")

Click Here to upgrade to Unlimited Pages and Expanded Features

**REPAIR PARTS**

ROPER 18T TWIN-GARDEN TRACTOR-MODEL NO. T8328AR  
ONAN ENGINE-MODEL NO. B48M-GAO18/3417A

**IGNITION GROUP**



ALL ENGINE PARTS MUST BE PURCHASED THROUGH AND SERVICE PERFORMED BY YOUR LOCAL ONAN DEALER.

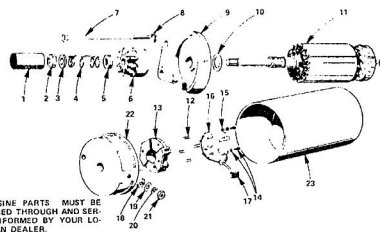
KEY NO.	PART NO.	DESCRIPTION
1	160-1210	Box Assembly, Breaker (Includes Parts Marked *)
2	812-0108	1" Screw, Machine - Round Head (No. 10 - 16 x 1 - 3/2")
3	526-0008	1" Washer, Flat (1.304" I.D. x 7/16" O.D. x 1/20" Thick)
3A	809-0055	1" Retainer, "O" Ring
4	160-1232	"Cover, Breaker Box
5	815-0358	"Screw, Tapping - Hex Head (No. 8 - 32 x 5/16")
6	850-0025	"Washer, Lock - Spring (No. 8)
7	312-0186	"Condenser, Ignition
8	802-0034	"Screw, Cap - Socket Head (1/4 - 20 x 3/4")
9	850-0038	"Washer, Lock - Spring - High Collar (1/4")
10	160-1183	"Point Assembly, Breaker
11	160-1219	"Base, Breaker Box
12	160-1150	"Gasket, Breaker Box
13	165-1151	"Plunger, Breaker Points Assembly
14	338-2132	Lead, Breaker Points to Coil
15	101-0237	Plug, Spark
16	101-1696	Cable, Spark Plug (1 1/2")
17	101-1586	Cable, Spark Plug (1 1/8")
18	166-0535	Coil, Ignition
19	165-0504	Nut, Coil Cable (Part of 168-0535 Coil)
20	800-0311	Clamp, Coil Mounting

\*PARTS INCLUDED IN 160-1210 BREAKER BOX ASSEMBLY  
\*INCLUDED IN GASKET KIT 168-0130.  
\*INCLUDED IN 160-1232 COVER

**REPAIR PARTS**

ROPER 18T TWIN-GARDEN TRACTOR-MODEL NO. T8328AR  
ONAN ENGINE-MODEL NO. B48M-GAO18/3417A

**STARTER PARTS GROUP**



ALL ENGINE PARTS MUST BE PURCHASED THROUGH AND SERVICE PERFORMED BY YOUR LOCAL ONAN DEALER.

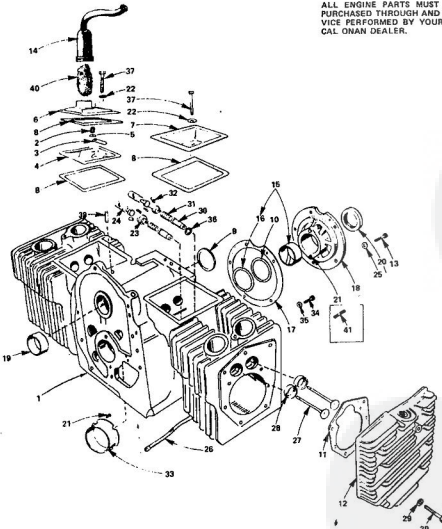
KEY NO.	PART NO.	DESCRIPTION
1	191-0933	Starter, 12 Volt (Complete)
2	191-1834	Cover, Dust
3	191-1045	Nut, Stop
4	191-1046	Washer, Stop Nut
5	191-1035	Screw, Anti-drift
6	191-1047	Switch, Dust Cover
7	191-1036	Drive Assembly
8	191-1048	Screw, Hex Cap
9	850-0040	Washer, Lock
10	191-1037	Cap, Assembly, Drive End
11	191-1038	Washer, Armature Thrust
12	191-1039	Armature
13	A	1" Spring, Brush
14	A	1" Brush Holder
15	A	1" Screw and Lockwasher
16	A	1" Brush, Ground
17	A	1" Stud and Brush Assembly, Input
18	A	1" Bushing, Insulation - Input Stud
19	A	1" Washer, Insulation - Input Stud
20	A	1" Washer, Lock - Input Stud
21	A	1" Nut, Securing - Input Stud
22	191-1040	Cap, Assembly, Commutator (Includes Parts Marked *)
23	191-1041	Repair Kit, Brush, Spring and Stud (Includes Parts Marked *)

T - Included in the 191-1040 Cap Assembly  
\* - Included in the 191-1041 Brush, Spring and Stud Kit.  
A - Not Sold Separately

**REPAIR PARTS**

ROPER 18T TWIN-GARDEN TRACTOR-MODEL NO. T8328AR  
ONAN ENGINE-MODEL NO. B48M-GAO18/3417A

**CYLINDER BLOCK GROUP**



ALL ENGINE PARTS MUST BE PURCHASED THROUGH AND SERVICE PERFORMED BY YOUR LOCAL ONAN DEALER.

**REPAIR PARTS**

ROPER 18T TWIN-GARDEN TRACTOR-MODEL NO. T8328AR  
ONAN ENGINE-MODEL NO. B48M-GAO18/3417A

**CYLINDER BLOCK GROUP**

KEY NO.	PART NO.	DESCRIPTION	KEY NO.	PART NO.	DESCRIPTION
1	110-2621	Block Assembly, Cylinder (Includes Parts Marked I)	28		INSERT, VALVE SEAT EXHAUST
2	123-1174	Spring, Breather Valve	110-1824	IS Standard	
3	123-1175	Valve, Breather	110-1824-02	.002" Oversize	
4	123-1173	Baffle, Breather	110-1824-05	.005" Oversize	
5	526-0018	Washer, Flat - Steel (1.764" I.D. x 5/8" O.D. x 1/16" Thick)	110-1824-10	.010" Oversize	
6	110-2274	Cover, Valve Compartment (L.H.)	110-1824-25	.025" Oversize	
7	110-1879	Cover, Valve Compartment (R.H.)	110-0137	IS Standard	INTAKE
8	110-1921	gasket, Valve Cover	110-0197-02	.002" Oversize	
9	517-0548	Plug, Extension - Camshaft	110-0197-05	.005" Oversize	
10	104-0776	Thin, Rear Bearing Plate (.005")	110-0197-10	.010" Oversize	
11	110-2287	gasket, Cylinder Head	110-0197-25	.025" Oversize	
12		HEAD, CYLINDER	29	526-0122	Washer, Flat - Steel (1.722" I.D. x 23/32" O.D. x 1/16" Thick)
	110-2564	Right Side (No. 2 Cylinder)	30	110-1867	Spring, Valve
	800-2563	Left Side (No. 1 Cylinder)	31	110-0539	Spring, Valve
13	800-0051	Screw, Hex Head Cap - Steel (3/8 - 16 x 1 1/4")	32	110-0639	Lock, Valve and Spring Retainer
14	123-1277	Tube, Breather	33		BEARING, CRANKSHAFT - FRONT (FLANGED)
15		BEARING, CRANKSHAFT - REAR (INCLUDES THRUST WASHER)	101-0432	IS Standard	
	101-0450	IS Standard	101-0432-02	.002" Oversize	
	101-0450-02	.002" Oversize	101-0432-10	.010" Oversize	
	101-0450-10	.010" Oversize	101-0432-20	.020" Oversize	
	101-0450-20	.020" Oversize	101-0432-30	.030" Oversize	
	101-0450-30	.030" Oversize	34	800-0048	Screw, Hex Head Cap (3/8 - 16 x 3/4") - Cylinder Block Wet Hole
16	104-0576	1" Washer, Crankshaft Bearing Thrust	35	526-0066	Washer, Flat - Copper (25/64" I.D. x 9/16" O.D. x 1/16" Thick)
17	101-0415	1" Gasket, Bearing Plate	36	110-0068	1" Gasket, Valve Guide (Intake)
18	101-0426	Plate, Bearing (Excludes Bearings)	37	800-0010	Screw, Hex Head Cap (1/4 - 20 x 1 - 3/8")
19	501-0465	1" Bearing, Camshaft (Excludes Bearings)	38	149-1299	Tube, Fuel Pump Vacuum
20	609-0011	1" Seal, Bearing Plate	39	800-0541	5/16 - 18 x 1 1/2" SCREW, HEX HEAD CAP
21	516-0012	1" Plug, Main Bearing Stop	40	123-0866	Filter, Breather Tube
22	526-0053	Washer, Flat - Copper (1.764" I.D. x 7/16" O.D. x 1/32" Thick)	41	520-0820	Stud, Cylinder Block Wet Hole (Lower)
23	110-0893	Standard			
24	115-0006	0.005" Oversize			
25	800-0050	1" Washer, Lock (3/8")			
26	120-0135	1" Tube, Crankcase Oil			
27		VALVE			
	110-1808	Intake			
	110-1809	Exhaust			

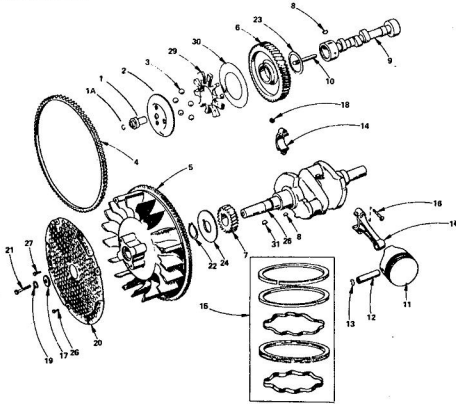
I - Included in 110-2287 Cylinder Block Assembly  
\* - Replacement From Flange Bearing replaces unflanged bearing and thrust washer  
x - Included in Gasket Kit 168-0130

### REPAIR PARTS

ROPER 18T TWIN-GARDEN TRACTOR-MODEL NO. T832BAR  
ONAN ENGINE-MODEL NO. B48M-GAO18/3417A

CRANKSHAFT, FLYWHEEL, CAMSHAFT  
AND PISTON GROUP

ALL ENGINE PARTS MUST BE  
PURCHASED THROUGH AND SER-  
VICE PERFORMED BY YOUR LO-  
CAL ONAN DEALER.



### REPAIR PARTS

ROPER 18T TWIN-GARDEN TRACTOR-MODEL NO. T832BAR  
ONAN ENGINE-MODEL NO. B48M-GAO18/3417A

CRANKSHAFT, FLYWHEEL, CAMSHAFT  
AND PISTON GROUP

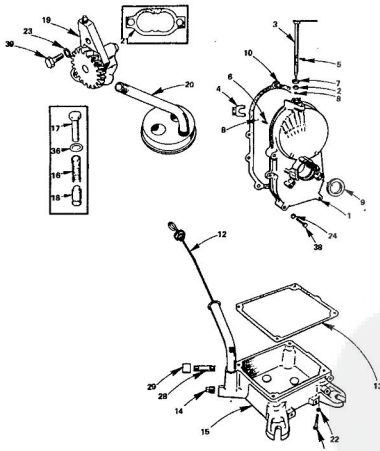
KEY NO.	PART NO.	DESCRIPTION
1	150 1510	Hub
1A	150 0028	Ring, Camshaft Center Pin
2	150 1520	Cup, Governor
3	510 0915	Ball, Fly - Governor
4	104 0779	Gear, Ring - Flywheel
5	134 2096	Flywheel (Includes Ring Gear and Magnet Ring)
6	106 0332	Gear, Camshaft (Includes Flyball Spacer and Plate)
7	104 0023	Gear, Crankshaft
8	515 0001	Key (1/2" Diameter x 1/8")
9	105 0402	Camshaft (Includes Center Pin)
10	150 0075	Pin, Camshaft Center
11		PISTON AND PIN (INCLUDES RE-TAINING RINGS)
	112 0151	Standard
	112 0151-05	005" Overize
	112 0151-10	010" Overize
	112 0151-20	020" Overize
	112 0151-30	030" Overize
	112 0151-40	040" Overize
12	112 0122	Pin, Piston
13	518 0311	Ring, Piston Pin Retaining
14		ROD ASSEMBLY, CONNECTING
	114 0257	Standard
	114 0257-10	010" Overize
	114 0257-20	020" Overize
	114 0257-30	030" Overize
15		RING SET, PISTON
	113 0189	Standard
	113 0189-05	005" Overize
	113 0189-10	010" Overize
	113 0189-20	020" Overize
	113 0189-30	030" Overize
	113 0189-40	040" Overize
16	114 0240	Bolt, Special - Connecting Rod
17	525 0017	Washer, Flat Steel (19/32" I.D. x 1 - 1/4" O.D. x 1/4" Thick)
18	870 0302	Nut, Locking (5/16 - 24)
19	850 0055	Washer, Spring Lock (17/16")
20	134 3008	Guard, Flywheel
21	104 0170	Screw, Hex Head Cap (17/16 - 14 x 4")
22	518 0014	Ring, Retaining - Crankshaft Gear Washer
23	105 0004	Washer, Camshaft Gear Thrust
24	104 0042	Washer, Crankshaft Gear Retainer
25	104 0986	Crankshaft
26	815 0002	Machine Screw, Truss Head
27	821 0014	Screw, Hex Head Cap, Locking (5/16 - 18 x 1/2")
28	150 1257	Spacer, Governor Flywheel
29	150 0077	Plate, Governor Flyball
31	515 0027	Key, Kit

### REPAIR PARTS

ROPER 18T TWIN-GARDEN TRACTOR-MODEL NO. T832BAR  
ONAN ENGINE-MODEL NO. B48M-GAO18/3417A

GEAR COVER, OIL BASE AND  
OIL PUMP GROUP

ALL ENGINE PARTS MUST BE  
PURCHASED THROUGH AND SER-  
VICE PERFORMED BY YOUR LO-  
CAL ONAN DEALER.



### REPAIR PARTS

ROPER 18T TWIN-GARDEN TRACTOR-MODEL NO. T832BAR  
ONAN ENGINE-MODEL NO. B48M-GAO18/3417A

GEAR COVER, OIL BASE  
AND OIL PUMP GROUP

KEY NO.	PART NO.	DESCRIPTION
1	103 0493	Cover, Assembly, Gear (Includes Parts Max'ed)
2	510 0105	Bearing, Governor Shaft
3	150 1470	Shaft and Arm Assembly, Governor
4	150 1187	Yoke, Governor Shaft
5	815 0045	Screw, Yoke Retaining
6	516 0130	Pin, Governor Cup Stop
7	509 0009	Spool, Oil - Governor Shaft
8	510 0014	Ball, Bearing - Governor Shaft
9	309 0040	* Seal, Cover Cover
10	103 0405	* Gasket, Gear Cover
12	123 1292	Cap and Indicator, Oil Fill
13	103 0033	Gasket, Oil Base Mounting
14	505 0056	Plug, Oil Drain
15		BASE, OIL
	102 0741	For Engines With Extended Oil Drain
16	120 0140	Spring, Oil By-Pass Valve
17	801 0050	Screw, Hex Head Cap (3/8 - 24 x 1") - Oil By-Pass Valve
18	120 0398	Valve, Oil By-Pass
19	120 0481	Pump, Oil - Complete (NOTE: Internal parts not sold separately)
20	120 0713	Intake, Oil Pump (Includes: Cup, Screen and Pipe)
21	120 0161	Gasket, Oil Pump
22	850 0050	Washer, Spring Lock (3/8")
23	850 0049	Washer, Spring Lock (1/4")
24	526 0056	Washer, Flat - Copper (21/64" I.D. x 9/16" O.D. x 1/16" Thick)
28	505 0178	Nipple, Pipe - Oil Drain (1/2 x 3/4")
29	505 0158	Cap, Pipe (1/2")
36	526 0056	Washer, Flat - Copper (25/64" I.D. x 9/16" O.D. x 1/16" Thick) - By-Pass Valve
37	800 0056	Screw, Hex Head Cap (3/8 - 16 x 2 - 1/2")
38	800 0032	Screw, Hex Head Cap (5/16 - 18 x 1 - 3/4") - Gear Cover Mounting
38	800 0545	Screw, Hex Head Cap (5/16 - 18 x 2 - 3/4") - Gear Cover Mounting
39	800 0007	Screw, Hex Head Cap (1/4 - 20 x 1")

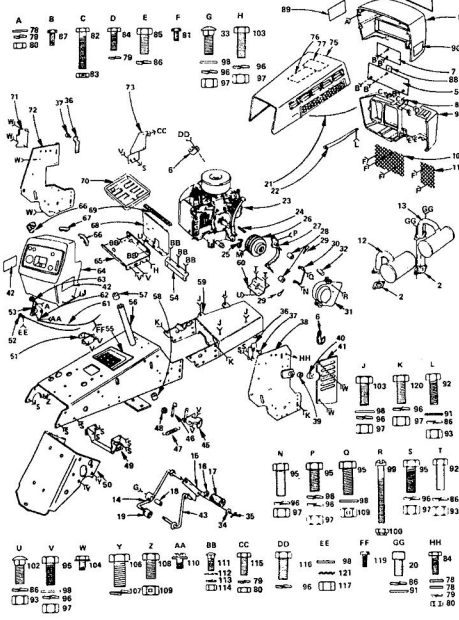
\* Included in Gear Cover Assembly.  
\* Included in Gasket Kit, page 29.



**REPAIR PARTS**

ROPER 18T TWIN-GARDEN TRACTOR-MODEL NO. T3328BR

MAIN FRAME, DASH AND GRILL



**REPAIR PARTS**

ROPER 18T TWIN-GARDEN TRACTOR-MODEL NO. T3328BR

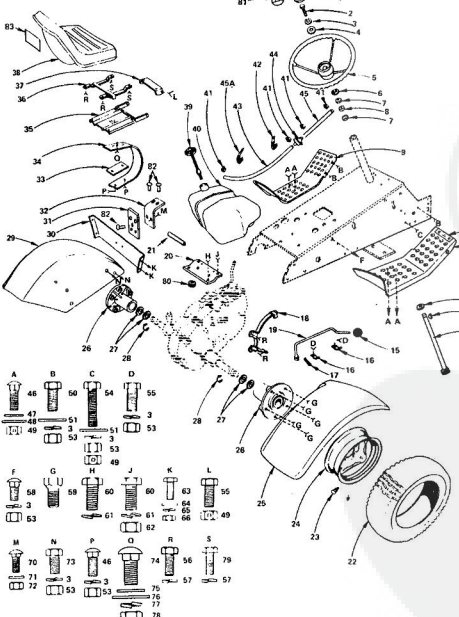
MAIN FRAME, DASH AND GRILL

KEY NO.	PART NO.	DESCRIPTION	KEY NO.	PART NO.	DESCRIPTION
1	811Z	Grill - Upper	69	107J	Battery Heat Shield
2	878J	Gasket - Exhaust Manifold	89	2814R	Hood Seat
3	885J	Decal - Grill	90	8655R	Battery Tray
4	2911	Grill - Panel - Lower	71	86J	Cover - L.H.
5	7251R	Wire-Clip	72	113J	Bracket - Battery Support - L.H.
6	295J	Grill Panel - Upper	73	118J	Bracket - Rectifier
7	797R	Grill - Lower	75	63A4007	Hood Assy.
8	797R	Grill - Side	75	8028R	Decal - Instruction
10	2874R	Grill Screen - L.H.	77	9881R	Decal - Wiring
11	2972R	Grill Screen - R.H.	78	1658P	"Washer 5/32 x 5/8 x 16 Ga.
12	105J	Muffler - Rear	79	1022P	"Lockwasher 1/4"
13	105J	Muffler - Front	80	802P	"Hex Nut 1/4 - 20 UNC
14	63A4001	Line	81	5651P	Phillips Pan Hd. Twd. Self Tap. #9 - 24 x 3/8 Type T
16	92J	Push-On Nut	82	3287P	"Hex Bolt 1/4 - 20 x 1 - 1/2 Grade 5
17	93J	Rubber Pad	83	1655H	Locknut 1/4 - 20 UNC
18	91J	Pivot Spacer	84	3003P	"Hex Bolt 1/4 - 20 x 3/4"
20	287J	Foot Pedal	85	3010P	"Hex Bolt 5/16 - 18 x 3/4"
21	2366P	Soc. Hd. Cap Screw 5/16 - 18 x 3/4	86	1003P	"Lockwasher 5/16"
22	875J	Grill Hinge	87	8554P	Phillips Pan Hd. Twd. Self Tap 10 - 18 Hd. Lo. Twd. x 1/2 Blunt Point
23	94851	Engine, Onan 18 H.P.	88	8788H	Mounting Clip
24	62AD020060	Sq. Key 1/4 x 2	89	1590J	Decal - Grill - L.H.
25	8245R	Belt Retainer Finger	90	1691J	Decal - Grill - R.H.
26	63A4104	Engine Pulley w/Gat Screws	91	1631P	"Washer 11/32 x 11/16 x 16 Ga.
27	63A4522	Belt Guide Weldment	92	3011P	"Hex Bolt 5/16 - 18 x 1"
28	8704H1	Spacer	93	594P	"Hex Nut 5/16 - 18 UNC
29	4639A	Retainer Spring	94	4540P	Hex Forged Socket Hd. Scre. Stt. Screw C.P. 6 - 18 x 1/2 Nylok
30	8011H	Belt Retainer	95	3023P	"Lockwasher 3/8"
31	63A4650	Bolt Guard Weldment	97	1004P	"Hex Nut 3/8 - 18 UNC
32	8228H	Split Spacer	98	1572P	Washer 13/32 x 13/16 x 11 Ga.
33	50P	Sq. Neck Carriage Bolt 3/8 - 16 x 2 - 1/4	99	3164P	"Hex Fl. Hd. Machine Screw. 1/4 - 20 x 2 - 1/4"
34	1545P	Washer 17/32 x 1 x 16 Ga.	100	247H	Head Locknut 1/4 - 20 UNC
35	2566P	Coiter Pin 1/8 x 1	102	61P	"Sq. Neck Carriage Bolt - Short Shoulder 3/8 - 18 x 1 Gr. 5"
36	63A4900	Mount Bracket	103	3055P	"Hex Bolt 7/16 - 14 x 1 - 1/4"
37	8467R	Support Bumper	104	5597P	"Carriage Bolt 5/16 - 18 x 3/4"
38	63A4903	Battery Support Bracket (Inc. Key 39)	105	3055P	"Hex Bolt 3/8 - 10 x 1 - 1/4"
39	7756R	Bearing	106	3055P	Hex Washer Hd. Twd. Outing Screw 1/4 - 20 x 1/2 Type 1
40	9006R	Belt	106	3055P	3/8 - 18 x 1 Gr. 5
41	7729R	Cover - R.H.	107	1001P	"Lockwasher 7/16"
42	287J	Model Decal - Side of Dash	107	1001P	"Hex Bolt 3/8 - 18 x 3/4"
43	63A4902	Lower Weldment - R.H. - Front	108	1001P	"Locknut 3/8 - 18 UNC
45	63A4785	Hanger Weldment - R.H. - Front	109	6056P	"Hex Fl. Hd. Machine Screw w/Dims Int. Tooth Lockwasher 10 - 22 x 1/4"
46	7848R	Ball Tension Arm	110	6056P	Sq. Neck Carriage Bolt 10 - 24 x 1/4
47	7848R	Return Spring	111	63P	Washer 7/32 x 7/16 x 16 Ga.
48	8101H	Locknut 3/8 - 24 UNF	111	1006P	"Lockwasher No. 10"
49	63A4914	Hanger Weldment - Rear	112	826P	"Hex Bolt 1/4 - 20 x 1/2"
50	63A4787	Drawer and Weldnuts	113	3114P	"Hex Bolt 3/8 - 18 x 7/8"
51	63A4925	Hanger Weldment - L.H. - Front	114	616P	"Hex Nut 3/8 - 24 UNF
52	7931R	Choke Control	114	826P	Socket Pan Hd. Self Tap. Screw No. 8 x 3/4 Type A9
53	1531H	Throttle Control (Inc. Key 61, 62 & 63)	120	3022P	"Hex Bolt 3/8 - 16 x 1 - 1/4 Gr. 5
54	87J	Adaptor Bar	121	3003P	Stt. Tooth Lockwasher - 3/8"
55	1551J	Dead Bolt (Pattern)			*STANDARD HARDWARE - PURCHASE LOCALLY
56	63A4888	Chassis Ass'y. (Inc. Key 67 & 68)			<b>OPTIONAL EQUIPMENT</b>
57	6488R	Bearing			Spark Arrestor Muffler LA258AR
58	4768J	Bearing			
59	63A4806	Engine Mount Ass'y.			
60	68J	Clamp			
61	9003R	Throttle Wire and Casing			
62	63A4892	Clamp			
63	1550J	Throttle Control Lever			
64	63A4893	Dashboard (Inc. Key No's 66 and 67)			
65	106J	Battery Support			
66	1988R	Clip - Dashboard			
67	8511R	Clip - Dashboard, Center			

**REPAIR PARTS**

ROPER 18T TWIN-GARDEN TRACTOR-MODEL NO. T3328BR

STEERING AND FINAL DRIVE



**REPAIR PARTS**

ROPER 18T TWIN-GARDEN TRACTOR-MODEL NO. T3328BR

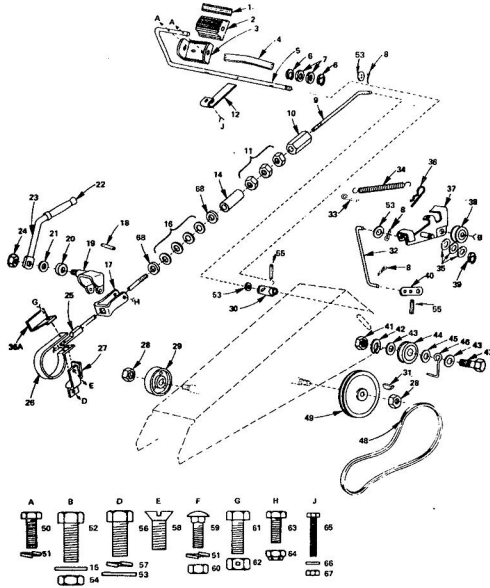
STEERING AND FINAL DRIVE

KEY NO.	PART NO.	DESCRIPTION	KEY NO.	PART NO.	DESCRIPTION
1	9278R	Steering Wheel Insert	46	61P	Sq. Hd. Shd. Car. Bolt 3/8 - 16 x 1 Gr. 5
2	3023P	"Hex Bolt 3/8 - 16 x 1"	47	1533P	"Washer 13/32 x 13/16 x 16 Ga.
3	1004P	"Lockwasher 3/8"	48	1539P	"Washer 15/32 x 1 x 1/2 Ga.
4	1550P	Washer 7/16 x 1 x 10 Ga.	49	5394H	Locknut 3/8 UNC
5	3644R	Steering Wheel	50	3025P	"Hex Bolt 3/8 - 16 x 1 - 1/4"
6	5003P	S-Ring	51	1557P	Washer 13/32 x 13/16 x 11 Ga.
7	9007H	Cap	53	501P	"Hex Nut 3/8 - 16 UNC
8	5694H	Rubber Bushing	54	3027P	"Hex Bolt 3/8 - 16 x 1 - 1/2"
9	9903R	Foot Rest - L.H.	55	3022P	"Hex Bolt 3/8 - 16 x 7/8"
10	8000R	Deal (Attach. Clutch)	56	3010P	"Hex Bolt 5/16 - 18 x 3/4"
11	9903R	Foot Rest - R.H.	57	1003P	"Lockwasher 5/16"
12	1553P	Washer 5/16 x 1 - 1/4 x 18 Ga.	58	19P	"Sq. Neck Carriage Bolt 3/8 - 16 x 3/4"
13	8858H1	Washer 7/16 x 2 1/8 x 5/8	59	1364H	Hub Bolt
14	63A4928	Steering Shaft and Pinion	60	3004P	"Hex Bolt 7/16 - 14 x 1"
15	8364H	Control Knob	61	1001P	"Lockwasher 7/16"
16	6442H	Shft. Rod Bracket	62	500P	"Hex Nut 7/16 - 14 UNC
17	2516P	Center Pin 3/16 x 1	63	3003P	"Hex Bolt 1/4 - 20 x 3/4"
18	63A427A	Ball Guide	64	1580P	"Washer 9/32 x 5/8 x 16 Ga."
19	8471H	Range Bolt Rod	65	1002P	"Lockwasher 1/4"
20	8954R	Transmission Bracket	66	803P	"Hex Nut 1/4 - 20 UNC"
21	8078R	Seat Stop	70	6P	"Short Shoulder Sq. Neck Carriage Bolt 5/16 - 18 x 3/4"
22	4607R	Rear Tire 23 x 10.50 - 12	71	1533P	"Washer 11/32 x 11/16 x 16 Ga."
23	785R	Tire Valve	72	1685H	Lock Nut 5/16 - 18 UNC
24	3638R	Rear Wheel 12 x 7 JA	73	3021P	"Hex Bolt 3/8 - 16 x 3/4"
25	8428R	Fender - R.H.	74	62P	Carriage Bolt 1/2 - 13 x 1 - 1/4 Gr. 5
26	63A4922	Wheel Hub - Rear	75	1578P	Washer 3/4 x 1 - 1/8 x 11 Gr.
27	7552R	Axle Thrust Washer	76	1560P	"Spacer 1/32 x 1 - 1/2 x 11 Ga."
28	5816R	Retaining Ring	77	1009P	"Lockwasher 1/2"
29	8427R	Fender - L.H.	78	3166P	"Hex Bolt 5/16 - 18 x 7/8"
30	2606R	Bracket - Tail Light	78	9547H	Rubber Grommet
31	175J	Seat Stop Bracket	81	235J	Steering Wheel Decal
32	126J	Fuel Tank Retainer	82	124J	Rubber Bumper
33	8141H	Seat Spring Reinforcement	83	245J	Decal
34	7894R	Seat Spring	83	18323	Warranty Fact Tag
35	63A4776	Seat Plate Weldment		1814J	Owner's Manual
36	63A4523	Seat Bracket Weldment			*STANDARD HARDWARE - PURCHASE LOCALLY
37	1891R	Bracket - Seat Pivot			
38	9744R	Seat			
39	2253J	Fuel Gauge			
40	7885R	Fuel Tank			
41	8999R	Fuel Line Gauge			
42	2751R	Clip - Fuel Line			
43	7831R	Fuel Line (Long)			
44	290J	In-Line Filter			
45	7823R	Fuel Line (Short)			
46A	9207H	Clip - Fuel Line			

**REPAIR PARTS**

ROPER 18T TWIN-GARDEN TRACTOR-MODEL NO. T8328BR

**BRAKE AND CLUTCH**



**REPAIR PARTS**

ROPER 18T TWIN-GARDEN TRACTOR-MODEL NO. T8328BR

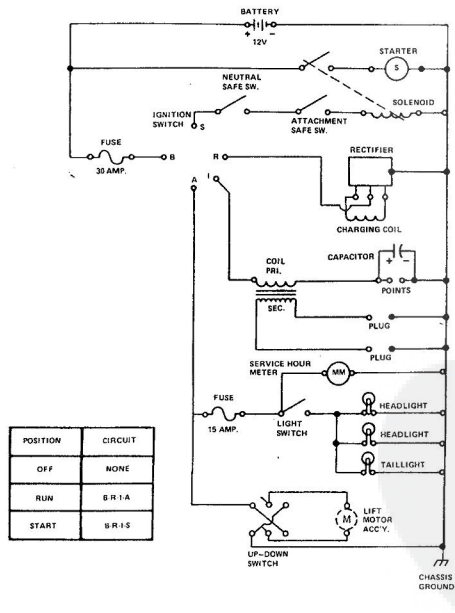
**BRAKE AND CLUTCH**

KEY NO.	PART NO.	DESCRIPTION	KEY NO.	PART NO.	DESCRIPTION
1	8999R	Insert Clutch Brake	37	634A75A	Idle Bracket Weldment
2	882R	Foot Pedal	38	8635H	Idle
3	8765H	Foot Pedal Bracket	39	5002P	E-Ring
4	9028H	Spring	40	634A986	Steering Arm Assembly
5	111J	Spring	41	580P	Hex Nut 7/16 - 14 UNC
6	5001P	E-Ring	42	1001P	Lockwasher 7/16
7	1527P	Washer 21/32 x 7/8 x 16 Ga.	43	1544P	Washer 15/32 x 15/16 x 16 Ga.
8	2505P	Cotter Pin 1/8 x 3/4	44	6635H	Flat Ider
9	2201R	Brake Rod - Front	45	1502P	Washer 15/32 x 15/16 x 11 Ga.
10	6417H	Lumbracke	46	6479H1	Ball Finger
11	501P	*Hex Nut 3/8 - 16 UNC	47	2262P	Hex Bolt 7/16 - 14 x 2 - 1/2
12	7922R	Safety Start Actuator	48	2622R	V-Bolt
14	2201R	Brake Rod - Front	49	6461H2	Pulley, Transmission
15	1557P	Washer 13/32 x 13/16 x 11 Ga.	50	3002P	Hex Bolt 1/4 - 20 x 3/4
16	7262R	Sprng Washer	51	1002P	*Lockwasher 1/4
17	9666R	Parking Brake Yoke	52	2022P	*Fin. Hex Bolt 3/8 - 24 x 1
18	175H	Roll Pin	53	1513P	Washer 15/32 x 13/16 x 18 Ga.
19	634A887	Lock Bracket Assembly	54	548P	*Hex Jam Nut 3/8 - 24 UNF
20	2221R	Parking Brake Spacer	55	5142H	Roll Pin
21	5959H	Sprng Washer	56	3022P	Hex Bolt 3/8 - 16 x 7/8
22	4319H	Handle Grip	57	1004P	*Lockwasher 3/8
23	634A341	Parking Lock Handle Assembly	58	3164P	Fin. Hex Machine Screw - Undercut 3/8 - 16 x 3/4
24	7810H	Gripco Centerlock Nut 3/8 - 24 UNF	59	111P	Sq. Neck Carriage Bolt 1/4 - 20 x 5/8
25	634A985	Brake Band and Lining	60	502P	*Lockwasher 1/4 - 20 UNC
26	673A211	Lock Nut 1/2 - 20 UNC	61	3156P	Hex Bolt 5/16 - 18 x 7/8
28	634A168	Brake Bracket Assembly	62	1885H	Locknut 5/16 - 18 UNC
29	9204H	Lock Nut 1/2 - 20 UNC	63	3244P	Hex Bolt 1/4 - 28 x 5/8 Gr. 5
29	214J	Brake Drum	64	9071H	Headlock Nut 1/4 - 28 UNF
30	634A699	Brake Arm Assembly	65	3326P	Hex Hd. Mach. Screw 6 - 32 x 1
31	9858M1	Woodruff Key	66	1567P	Washer 5/32 x 3/8 x 20 Ga.
32	2514P	Cotter Pin 1/4 x 1	67	562P	Centerlock Nut 5/8 - 32 UNC
33	6486R	Cham Rod	68	1602P	Washer 13/32 x 5/8 x 11 Ga.
35	1587P	*Washer 17/32 x 1 - 1/16 x 21 Ga.			
36	4839H	Retainer Spring			
36A	544J	Hose Shield			

**REPAIR PARTS**

ROPER 18T TWIN-GARDEN TRACTOR-MODEL NO. T8328BR

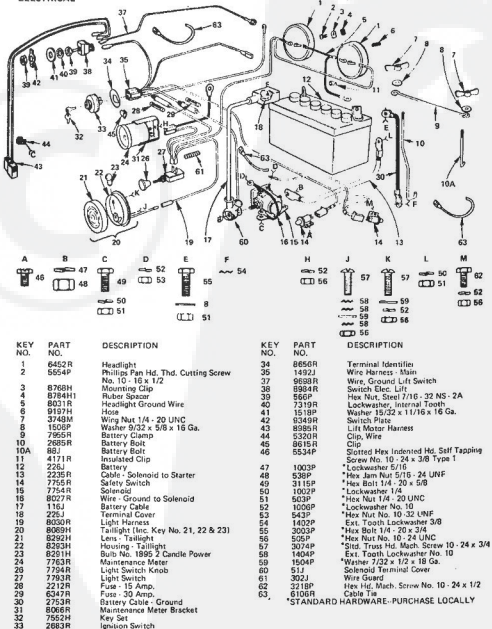
**SCHEMATIC DIAGRAM**



**REPAIR PARTS**

ROPER 18T TWIN-GARDEN TRACTOR-MODEL NO. T8328BR

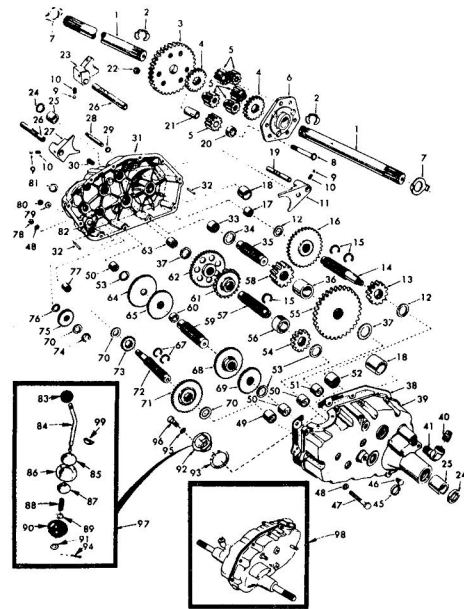
**ELECTRICAL**



### REPAIR PARTS

ROPER 18T TWIN-GARDEN TRACTOR-MODEL NO. T8328BR

#### TRANSAXLE



### REPAIR PARTS

ROPER 18T TWIN-GARDEN TRACTOR-MODEL NO. T8328BR

#### TRANSAXLE

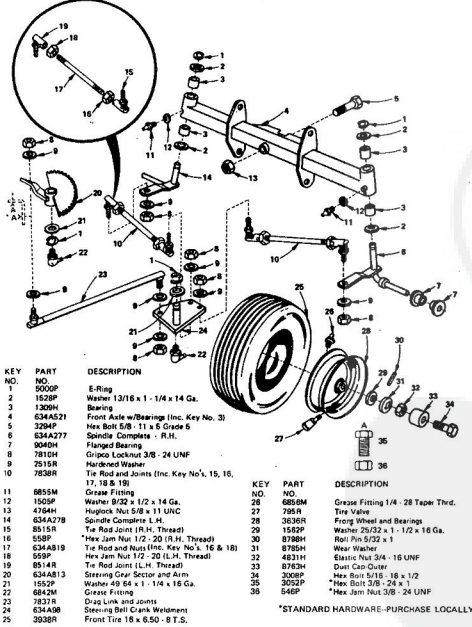
KEY NO.	PART NO.	DESCRIPTION	KEY NO.	PART NO.	DESCRIPTION
1	4197R	Axle Shaft	49	4895H	Needle Bearing
2	5869R	Retaining Ring	50	4222R	Needle Bearing
3	4199R	Final Drive Gear	51	1207H	Needle Bearing
4	4216R	Differential Gear	52	8119M	Needle Bearing
5	4216R	Differential Pinion	53	4220R	Thrust Bearing Race
6	4217R	Differential Carrier	54	4209R	3rd Reduction Pinion - Low
7	6264R	Axle Thrust Washer	55	4213R	4th Reduction Gear
8	3056P	Hex Bolt 3/8" - 24 UNF x 3 - 1/4 (17" Thread Length)	56	4442R	3rd Reduction Pinion Spacer
9	7392M	Steel Ball	57	4199R	2nd Reduction Gear Shaft
10	6272H	Spring Shift Fork Detent	58	6447R	Final Drive Pinion
11	6968R	Shift Fork - High - Low Range	59	4194R	1st Reduction Gear Shaft
12	6266H	Thrust Bearing Race	60	7328R	1st Reduction Shaft Spacer
13	4212R	4th Reduction Pinion	61	4208R	3rd Reduction Pinion - High
14	4198R	3rd Reduction Gear Shaft	62	4207R	2nd Reduction Gear
15	6276H	Snap Ring - Craxson Type	63	7385H	Needle Bearing
16	633A63	High - Low Range Gears	64	4203R	Low Speed Gear and 2nd Reduction Pinion Cluster
17	8118M	Needle Bearing	65	4204R	Reverse Gear
18	8740H1	Sintered Iron Bearing	67	4828H	Snap Ring - Craxson Type
19	6271H	Shift Fork Shaft, High - Low Range	68	4206R	Intermediate Speed Gear
20	4218R	Differential Pinion Spacer	69	4206R	High Speed Gear
21	6252H1	Differential Pinion Bushing	70	1202H	Thrust Bearing Race
22	7810H	Gilco Centerlock Hex 3/8" - 24 UNF	71	633A69	Intermediate and High Speed Cluster Pinions
23	4868R	Shift Fork - L.H.	72	4193R	Input Shaft
24	7393R	Oil Seal	73	4201R	Low Speed Pinion
25	8927R1	Sintered Iron Bearing	74	5001P	E-Ring
26	6216H	Shift Fork - R.H.	75	1153R	Reverse Idler Gear
27	6215H	Shift Fork - High - Low Range	76	7922H	Reverse Idler Thrust Washer
28	6269H	Oil Seal	77	5629H	Needle Bearing
29	5854H	Pressure Relief Valve	78	6047R	Hex Nut 5/16" - 18 UNC
30	633A65	Gearcase, Reverse Idler Shaft and Bearings - R.H. (Inc. Key No. 1, 17, 18, 25, 26, 50, 53, 76, 77 and 82)	79	1167R	Sealing Washer
31	633A65	Gearcase and Bearings - L.H. (Inc. Key No. 1, 17, 18, 25, 26, 50, 53, 76, 77 and 82)	80	641P	Hex Jam Nut 7/16" - 20 UNF
32	6277H	Dowel Pin	81	6270H	Oil Seal
33	4223R	Needle Bearing	82	7384H	Reverse Idler Shaft
34	7398H	Thrust Bearing Race	83	6354H	Control Knob
35	4198R	4th Reduction Gear Shaft	84	8551R	Gear Shift Lever - Bent
36	4200R	4th Reduction Gear Spacer	85	9013R	Gear Shift Cap
37	7394H	Thrust Bearing Race	86	633A65	Gear Shift Ball Cover and Pin
38	6275H	Gearcase Gasket	87	8729H1	Gear Shift Ball Cover and Pin
39	633A64	Gearcase and Bearings - L.H. (Inc. Key No. 1, 17, 18, 25, 26, 50, 53, 76, 77 and 82)	88	4924H	Spring
40	4002P	Pin Plug 1/2" - 14 N.P.T.	89	8105R	Shift Mechanism Shaft
41	4003P	Pin Plug 9/16" - 12 N.P.T.	90	7489R	Washer 8/16" x 15/16" x 11 Ga.
42	8211H	Oil Seal	91	8274H	Gear Shift Gear
43	4001P	Pin Plug 1/4" - 18 N.P.T.	94	2205P	Lockwasher 5/16"
44	3087P	*Hex Bolt 5/16" - 18 x 1 - 1/2 Grade 5	95	3159P	Lockwasher 5/16"
45	1007P	Lockwasher 5/16 Extra Heavy	97	633A62	Hex Bolt 5/16" - 18 UNC x 7/8
			98	633A78	Transaxle Assembly Lens Brake Drum
			99	7835M	*Shift Lever Woodruff Key 1/8" x 1/2"

\*STANDARD HARDWARE-PURCHASE LOCALLY

### REPAIR PARTS

ROPER 18T TWIN-GARDEN TRACTOR-MODEL NO. T8328BR

#### FRONT AXLE

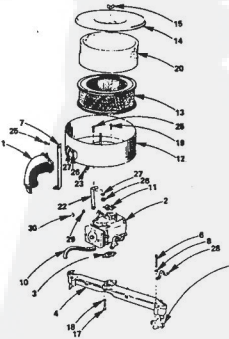


### REPAIR PARTS

ROPER 18T TWIN-GARDEN TRACTOR-MODEL NO. T8328BR  
ONAN ENGINE-MODEL NO. B49M-GAD18/5560A

#### FUEL SYSTEM GROUP

ALL PARTS MUST BE PURCHASED THROUGH AND SERVICE PERFORMED BY YOUR LOCAL ONAN DEALER.



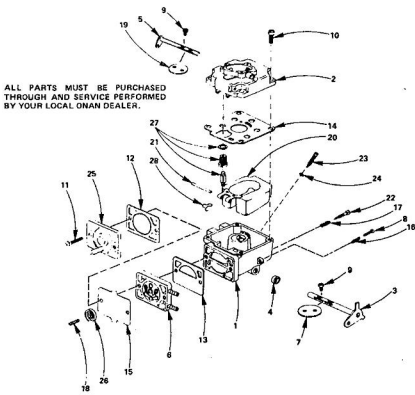
KEY NO.	PART NO.	DESCRIPTION	KEY NO.	PART NO.	DESCRIPTION
1	140-1169	Tube, Air Intake (Air Cleaner to Blower Housing)	15	865-0020	Nut, Wing - Air Cleaner (1/4" - 20)
2	142-0568	Tube, Carburetor (with Integral Fuel Pump)	17	800-0023	Screw, Hex Head Cap (1/4" - 20 x 1-3/8")
3	145-0438	Clacket, Carburetor Mounting	18	860-0040	Washer, Staking Lock (1/4")
4	154-1468	Manifold, Intake	19	915-0483	Screw, Round Head with Nylon Seal (No. 10 - 32 x 5/8")
5	800-0033	Screw, Hex Head Cap 5/16" - 18 x 2	20	140-1213	Washer, Air Cleaner Support (No. 10 - 32 x 5/8")
6	800-0034	Screw, Hex Head Cap 5/16" - 18 x 2 - 1/4	21	518-0028	Clacket, Air Cleaner Element
7	140-1198	Support, Air Cleaner	22	800-0023	Screw, Hex Head Cap (1/4" - 20 x 1/2")
8	850-0045	Washer, Spring Lock (5/16")	23	862-0001	Nut, Hex (1/4" - 20)
9	503-0740	Hose, Fuel Pump Vacuum	24	853-0013	Washer, Lock - ET (1/4")
10	140-1215	"Gasket, Air Cleaner Mfg.	25	423-1480	Bracket, Lifting
11	140-1215	"Gasket, Air Cleaner Mfg.	26	854-0275	Washer, Lock - IT (5/16")
12	140-1213	Housing, Air Cleaner	30	870-0275	Nut, Hex (7/16" - 14)
13	140-1218	Blower, Air Cleaner			
14	140-1168	Cover, Air Cleaner			

\* See repair manual for dimensions. \* Included in Gasket Kit, page 29.

### REPAIR PARTS

ROPER 18T TWIN-GARDEN TRACTOR-MODEL NO. T8328BR  
ONAN ENGINE-MODEL NO. B48M-GA018/3560A

#### CARBURETOR PARTS GROUP



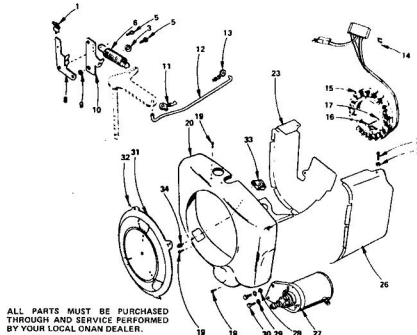
ALL PARTS MUST BE PURCHASED THROUGH AND SERVICE PERFORMED BY YOUR LOCAL ONAN DEALER.

KEY NO.	PART NO.	DESCRIPTION	KEY NO.	PART NO.	DESCRIPTION
1	1420568	Carburetor Assembly, Complete	17	1420282	*Spring, Idle Needle
2	1420574	Body Assembly, Lower	18	1420546	*Spring, Pump Diaphragm
3	1420573	Sleeve Assembly	19	1420548	Fly, Choke
4	1420534	*Shaft Assembly, Throttle	20	1420547	Float and Lever Assembly
5	1420535	*Washing, Shaft	21	1420540	*Shaft, Float Lever
6	1420536	*Shaft Assembly, Choke	22	1420018	*Needle, Idle
7	1420537	*Valve Float Assembly	23	1420549	Needle Assembly, Power
8	1420064	Screw, Throttle Stop	24	1420550	*Gasket, "O" Ring
9	1420334	Screw, Fly Mounting	25	1420551	Cover, Pump
10	1420539	Screw, Bowl Cover Mounting	26	1420552	*Hose, Pump Spring
11	1420540	Screw, Pump Cover	27	1420553	*Valve Assembly, Float
12	1420541	*Gasket, Hose to Diaphragm	28	1420554	Clip, Float Valve
13	1420542	*Gasket, Plate to Base	1420571	*Gasket Set (Includes Parts Marked *)	
14	1420572	*Gasket, Sower Assembly to Base	1420570	Repair Kit (Includes Parts Marked *)	
15	1420555	*Diaphragm, Pump			
16	1420544	*Spring, Throttle Stop Screw			

### REPAIR PARTS

ROPER 18T TWIN-GARDEN TRACTOR-MODEL NO. T8328BR  
ONAN ENGINE-MODEL NO. B48M-GA018/3560A

#### GOVERNOR, STARTER, CHARGING ALTERNATOR AND BLOWER HOUSING GROUP



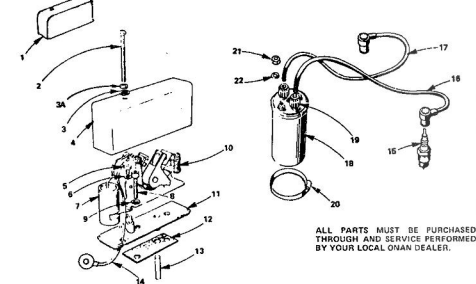
ALL PARTS MUST BE PURCHASED THROUGH AND SERVICE PERFORMED BY YOUR LOCAL ONAN DEALER.

KEY NO.	PART NO.	DESCRIPTION	KEY NO.	PART NO.	DESCRIPTION
1	1530514	Clip, Throttle Cable	19	8150261	Screw, Hex Head Cap (1/4" - 20 x 7/16")
3	5550014	Flat Washer 1/2"x1.0" x 1/2" x 7/16"	20	134-3749	Housing, Blower
5	8150438	Screw, Hex Cap - Flange Locking (1/4" - 20 x 1/2")	22	134-2889	Housing, Cylinder Air - Left
6	150-1214	Bracket, Governor Mounting	24	8150250	Screw, Hex Head Cap (1/4" - 20 x 3/4" O.D. x 1 1/16" Thread)
8	150-1725	Spring, Governor	25	5260021	Washer, Flat Steel (1 1/8" I.D. x 3/4" O.D. x 1 1/16" Thick)
9	150-1209	Bushing, Governor Control	26	134-3400	Housing, Cylinder Air - Right
10	150-1576	Arm, Governor Control	27	191-0933	Starter, 12 Volt (For Components see separate group)
11	870-0278	Clip, Governor Control Rod to Governor Arm	28	5260113	Washer, Flat Steel (1 1/32" I.D. x 1" O.D. x .320" Thick)
12	150-1350	Rod, Governor Control	29	850-0045	Washer, Spring Lock (5/16" x 5/16" 18 x 1")
13	818-0004	Clip, Governor Control Rod to Carburetor	30	800-0028	Screw, Hex Head Cap (5/16" 18 x 1")
14	167-0188	Clip, Alternator Lead Support	31	134-3213	Guard, Blower Housing (No. 14 x 1 1/2")
15	191-1216	Stator, Charging Alternator	32	8150378	Screw, Int'l Hex Head w/ET (No. 14 x 1 1/2")
16	813-0143	Screw, Round Head - Steel No. 10 - 22 x 1 - 3/8"	33	191-1208	Regulator, Alternator (15 Amp)
17	850-0030	Washer, Lock (No. 10)	34	821-0010	Screw, Hex Hd. Cap (1/4" - 20 x 1/2")

### REPAIR PARTS

ROPER 18T TWIN-GARDEN TRACTOR-MODEL NO. T8328BR  
ONAN ENGINE-MODEL NO. B48M-GA018/3560A

#### IGNITION GROUP



ALL PARTS MUST BE PURCHASED THROUGH AND SERVICE PERFORMED BY YOUR LOCAL ONAN DEALER.

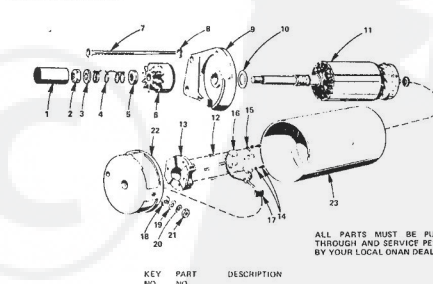
KEY NO.	PART NO.	DESCRIPTION
1	160-1210	Box Assembly, Breaker (Includes Parts Marked *)
2	812-0108	*Screw, Machine - Round Head (No. 14 x 1 - 1/2")
3	528-0008	*Washer, Flat (1 3/8" I.D. x 7/16" O.D. x 1/32" Thick)
3A	509-0065	*Retainer, "O" Ring
4	100-1232	*Cover, Breaker Box (Includes parts marked *)
5	815-0358	*Screw, Tapping - Hex Head (No. 8 - 32 x 5/16")
6	850-0025	*Washer, Lock - Spring (No. 8)
7	312-0189	*Condenser, Ignition
8	802-0034	*Screw, Cap - Socket Head (1/4" - 20 x 3/4")
9	850-0038	*Washer, Lock - Spring - High Collar (1/4")
10	160-1163	*Point Assembly, Breaker
11	160-1219	*Base, Breaker Box
12	160-1150	*Gasket, Breaker Box
13	336-2378	*Plunger, Breaker Point Assembly
14	336-2378	Lead, Breaker Points to Coil Plug, Spark
15	162-0208	Plug, Spark
16	167-1595	Capacitor, Spark Plug (1 7/8")
17	167-1596	Capacitor, Spark Plug (1 1/2")
18	166-0536	Coil, Ignition
19	166-0804	Wind. Coil Cable (Part of 166-0536 Coil)
20	501-0311	Clamp, Coil Mounting
21	166-0554	Nut, Hex
22	800-2005	Washer, Lock

\*PARTS INCLUDED IN 160-1210 BREAKER BOX ASSEMBLY.  
\*INCLUDED IN GASKET KIT 168-0130.  
\*INCLUDED IN 160-1232 COVER

### REPAIR PARTS

ROPER 18T TWIN-GARDEN TRACTOR-MODEL NO. T8328BR  
ONAN ENGINE-MODEL NO. B48M-GA018/3560A

#### STARTER PARTS GROUP



ALL PARTS MUST BE PURCHASED THROUGH AND SERVICE PERFORMED BY YOUR LOCAL ONAN DEALER.

KEY NO.	PART NO.	DESCRIPTION
1	191-0933	Starter, 12 Volt (Complete)
2	191-0934	Cover, Cast
3	191-1045	Nut, Snap
4	191-1046	Washer, Snap Nut
5	191-1005	Spring, Armature
6	191-1047	Spacer, End Cover
7	191-1026	Drive Assembly
8	191-1048	Screw, Hex Cap
9	850-0040	Washer, Lock
10	191-1039	Cap. Assembly, End End
11	191-1038	Washer, Armature Thrust
12	191-1039	Armature
13	A	*Spring, Bleed
14	A	*Brush Holder
15	A	*Brush, Forward
16	A	*Brush, Reverse
17	A	*Steel and Brass Armature, Input
18	A	*Blushing Insulator, Input End
19	A	Washer, Insulator, Input End
20	A	Washer, Lock - Input End
21	A	Washer, Lock - Input End
22	191-1040	Cap. Assembly, Commutator - Includes Parts Marked *
23	A	Housing, Starter Motor

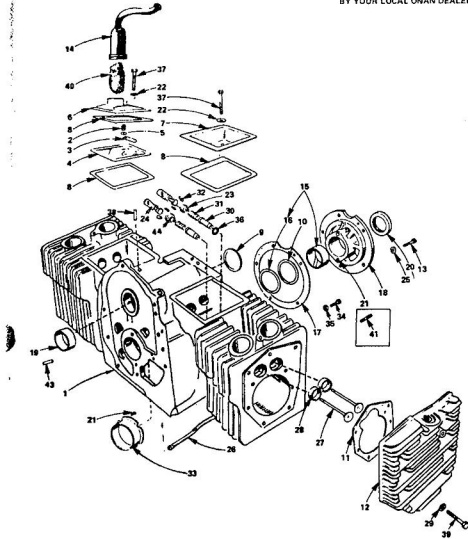
\* Included in the 191-1049 Cap. Assembly.  
\* Included in the 191-1048 Brush, Spring and Snap Nut.  
\* Not Sold Separately.

### REPAIR PARTS

ROPER 18T TWIN-GARDEN TRACTOR-MODEL NO. T8328BR  
ONAN ENGINE-MODEL NO. B48M-GA018/3560A

#### CYLINDER BLOCK GROUP

ALL PARTS MUST BE PURCHASED THROUGH AND SERVICE PERFORMED BY YOUR LOCAL ONAN DEALER.



### REPAIR PARTS

ROPER 18T TWIN-GARDEN TRACTOR-MODEL NO. T8328BR  
ONAN ENGINE-MODEL NO. B48M-GA018/3560A

#### CYLINDER BLOCK GROUP

KEY NO.	PART NO.	DESCRIPTION	KEY NO.	PART NO.	DESCRIPTION
1	110 2500	Block Assembly, Cylinder (Includes Part Marked †)	28		INLET VALVE SEAT
2	123 1134	Spring, Breather Valve	110 1824		†Standard
3	123 1175	Valve, Breather	110 1824 02	002"	Oversize
4	123 1172	Baffle, Breather	110 1824 05	005"	Oversize
5	526 001B	Washer, Flat, Steel (17/64" I.D. x 5/8" O.D. x 1/16" Thick)	110 1824 10	010"	Oversize
6	110 2274	Cover, Valve Compartment (L.H.)	110 1824 25	025"	Oversize
7	110 1879	Cover, Valve Compartment (R.H.)	110 0197		†Standard
8	110 1921	†Gasket, Valve Cover	110 0197 02	002"	Oversize
9	517 0048	†Plug, Extension - Camshaft	110 0197 05	005"	Oversize
10	104 0775	15Hm, Rear Bearing Plate (1.005")	110 0197 10	010"	Oversize
11	110 0892	†Gasket, Cylinder Head	110 0197 25	025"	Oversize
12		HEAD, CYLINDER	29	256 0122	Washer, Flat, Steel (11/32" I.D. x 23/32" O.D. x 10 Gauge)
13	110 2564	Block, Side (No. 2 Cylinder)	30	110 1807	†Glands, Valve
14	800 2563	Left Side (No. 1 Cylinder)	31	110 0530	Spring, Valve
15	800 0251	†Screw, Hex Head Cap-Steel (3/8 - 16 x 1 - 1/4")	32	110 0639	Lock, Valve and Spring Retainer
		BEARING, CRANKSHAFT - REAR (INCLUDES THRUST WASHER)	33		BEARING, CRANKSHAFT - FRONT
		101 0450	101 0432	†Standard	
		101 0450 02	101 0432 02	002"	Undersize
		101 0450 10	101 0432 10	010"	Undersize
		101 0450 20	101 0432 20	020"	Undersize
		101 0450 30	101 0432 30	030"	Undersize
16	104 0575	†Washer, Crankshaft Bearing Thrust	34	800 0046	Screw, Hex Head Cap (3/8 - 16 x 2 1/4")
17	101 0415	†Gasket, Bearing Plate	35	526 0066	Washer, Flat, Copper (25/64" I.D. x 9/16" O.D. x 1/16" O.D.)
18	101 0439	†Plate, Bearing (Excludes Bearings)	36	110 0058	†Gasket, Valve Guide (Inlet)
19	101 0405	†Bearing, Camshaft (Precision)	37	800 0010	Screw, Hex Head Cap (1/4 - 20 x 1 - 3/4")
20	509 0541	†Seal, Bearing Plate	38	149 1299	†Tube, Fuel Pump Vacuum
21	516 0072	†Pin, Main Bearing Stop	39	800 0540	SCREW, HEX HEAD CAP (1/8 - 18 x 1 - 5/8")
22	526 0053	Washer, Flat - Copper (17/64" I.D. x 7/16" O.D. x 1/32" Thick)	40	123 8855	Filter, Breather Fuel
23	110 0893	Retainer, Valve - INTAKE	41	520 0820	Stud, Cylinder Block Wet Hole (Lower)
24	115 0006	Standard	42	516 0141	†Pin, Dowel (Gear Cover Align)
25	115 0006 05	005" Oversize	43	110 0804	Rotopop - Exhaust Valve
26	120 0735	†Tube, Crankcase Oil			
27	110 1808	Intake			
	110 1809	Exhaust			

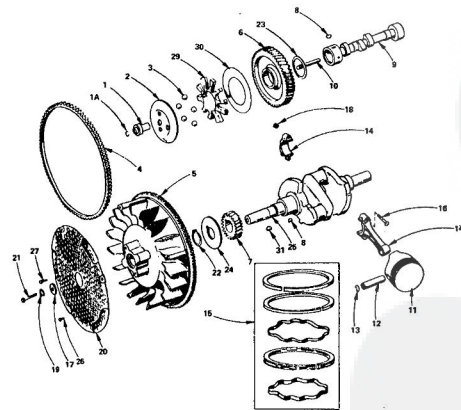
† Included in 110 2500 Cylinder Block Assembly  
\* Replacement Front Flange Bearing replaces unflanged bearing and thrust washer  
x Included in Gasket Kit 188 0130

### REPAIR PARTS

ROPER 18T TWIN-GARDEN TRACTOR-MODEL NO. T8328BR  
ONAN ENGINE-MODEL NO. B48M-GA018/3560A

#### CRANKSHAFT, FLYWHEEL, CAMSHAFT AND PISTON GROUP

ALL PARTS MUST BE PURCHASED THROUGH AND SERVICE PERFORMED BY YOUR LOCAL ONAN DEALER.



### REPAIR PARTS

ROPER 18T TWIN-GARDEN TRACTOR-MODEL NO. T8328BR  
ONAN ENGINE-MODEL NO. B48M-GA018/3560A

#### CRANKSHAFT, FLYWHEEL, CAMSHAFT AND PISTON GROUP

KEY NO.	PART NO.	DESCRIPTION
1	150 1518	Hub
1A	150 0078	Ring, Camshaft Center Pin
2	150 1520	Cap, Governor
3	510 0015	Ball, Fly - Governor
4	104 0779	Gear, Ring - Flywheel
5	134 3494	Flywheel (Includes Ring Gear and Magnet Ring)
6	105 0232	Gear, Camshaft (Includes Flyball Sprocket and Pin)
7	104 0032	Gear, Crankshaft
8	515 0001	Key (1/2" Diameter x 1 1/8")
9	105 0402	Camshaft (Includes Center Pin)
10	150 0075	Pin, Camshaft Center
11		PISTON AND PIN (INCLUDES RETAINING RINGS)
	112 0151	Standard
	112 0151 05	005" Oversize
	112 0151 10	010" Oversize
	112 0151 20	020" Oversize
	112 0151 30	030" Oversize
	112 0151 40	040" Oversize
12	112 0122	Pin, Piston
13	518 0311	Ring, Piston Pin Retaining
14		ROD ASSEMBLY, CONNECTING
	114 0257	Standard
	114 0257 10	010" Oversize
	114 0257 20	020" Oversize
	114 0257 30	030" Oversize
15		RING SET, PISTON
	113 0189	Standard
	113 0189 05	005" Oversize
	113 0189 10	010" Oversize
	113 0189 20	020" Oversize
	113 0189 30	030" Oversize
	113 0189 40	040" Oversize
16	114 0240	Bolt, Special - Connecting Rod
17	526 0017	Washer, Flat Steel (15/32" I.D. x 1 - 1/4" O.D. x 1/4" Thick)
18	870 0302	Nut, Locking (5/16 - 24)
19	890 0255	Washer, Spring Lock (7/16")
20	134 3508	Guard, Flywheel
21	104 0170	Screw, Hex Head Cap (7/16 - 14 x 4")
22	518 0014	Ring, Retaining - Crankshaft Gear
23	105 0004	Washer, Crankshaft Gear Thrust
24	104 0063	Washer, Crankshaft Gear Retainer
25	104 0896	Crankshaft
26	515 0400	Machine Screw Trust Head
27	821 0014	Screw, Hex Head Cap - Locking Flange (5/16 - 18 x 1/2")
28	150 1257	Sector, Governor Flywheel
29	150 0071	Pin, Governor Flywheel
31	515 0227	Key, Kit



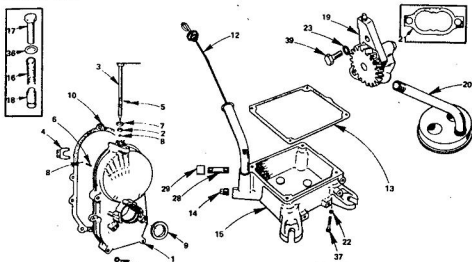
Your complimentary use period has ended.  
Thank you for using PDF Complete.

Click Here to upgrade to Unlimited Pages and Expanded Features

**REPAIR PARTS**

ROPER 18T TWIN-GARDEN TRACTOR-MODEL NO. T8328BR  
ONAN ENGINE-MODEL NO. E48M-GA018/3560AA

**GEAR COVER, OIL BASE AND OIL PUMP GROUP**



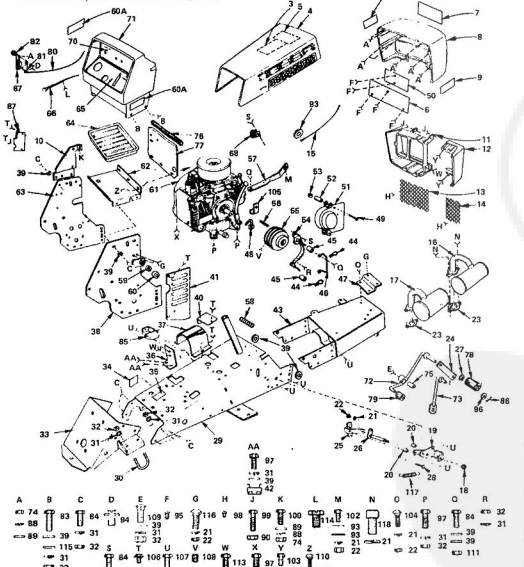
ALL PARTS MUST BE PURCHASED THROUGH AND SERVICE PERFORMED BY YOUR LOCAL ONAN DEALER.

KEY NO.	PART NO.	DESCRIPTION	KEY NO.	PART NO.	DESCRIPTION
1	103 0498	Cover Assembly, Gear (Includes Parts Mark'd *)	21	120-0161	Gasket Kit, Oil Pump
2	510-0105	Bearing, Governor Shaft	22	850-0050	Washer, Spring Lock (3/8")
3	150-1470	Shaft and Arm Assembly, Governor	23	850-0040	Washer, Spring Lock (1/4")
4	150-1187	*Yoke, Governor Shaft	24	526-0066	Washer, Flat - Copper (27/32") I.D. x 8/16" O.D. x 1/16" Thick
5	815-0048	*Screw, Yoke Retaining	28	605-0176	Nipple, Pipe - Oil Drain (1/2 x 3-1/2")
6	516-0130	*Pin, Governor Cup Stop	29	505-0158	Cap, Pipe (1/2")
7	509-0008	*Seal, Oil - Governor Shaft	36	526-0066	Washer, Flat - Copper (25/64" I.D. x 9/16" O.D. x 1/16" Thick) - By - Pass Valve
8	510-0014	*Ball, Bearing Governor Shaft	37	800-0056	Screw, Hex Head Cap (3/8 - 16 x 2-1/2")
9	400-0040	*Seal, Gear Cover	38	800-0032	Screw, Hex Head Cap (5/16 - 18 x 1-3/4") - Gear Cover Mounting
10	103-0408	Gasket, Gear Cover	38	800-0545	Screw, Hex Head Cap (5/16 - 18 x 2-3/4") - Gear Cover Mounting
12	123-1292	Cap and Indicator, Oil Fill	39	800-0007	Screw, Hex Head Cap (1/8 - 20 x 1")
13	102-0932	Gasket, Oil Base Mounting			
14	505-0056	Plug, Oil Drain			
15	103-0141	GASKET, OIL			
16	120-0140	Sealing, Oil By Pass Valve			
17	801-0050	Screw, Hex Head Cap (3/8 - 16 x 2-1/2") - Oil By - Pass Valve			
18	120-0398	Valve, Oil By - Pass			
19	120-0491	Pump, Oil - Ceramic (NOTE: Internal parts not sold separately)			
20	120-0713	Intake, Oil Pump (Includes: Cap, Screen and Plug)			

**REPAIR PARTS**

ROPER 18 TWIN HYDRO GARDEN TRACTOR-MODEL NO. T8338AR

**MAIN FRAME, DASHBOARD AND GRILL**



**REPAIR PARTS**

ROPER 18 TWIN HYDRO GARDEN TRACTOR-MODEL NO. T8338AR

**MAIN FRAME, DASHBOARD AND GRILL**

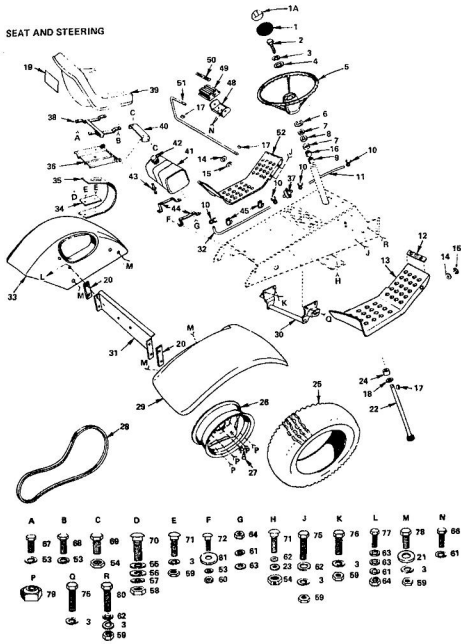
KEY NO.	PART NO.	DESCRIPTION	KEY NO.	PART NO.	DESCRIPTION
3	8028R	Decal - Maintenance	61	848M/GA018	Engine, Onan 18 H.P. Twin Cylinder
4	834AE07	Hood Assembly	62	3475A	Battery Support
5	9890R	Decal - Wiring	63	150S1	Battery Support Bracket - L.H.
6	291J	Grill Panel - Lower	63	896J	Battery Tray
7	245J	Decal - Roper	65	896JR	Decal - Lower Dash
8	911J	Lower Grd	66	8855R	Decal - Lower Dash
9	246J	Decal - Roper	67	1520J	Throttle Control Lever
10	1151J	Rectifier Bracket	68	8775R	Choke Control
11	7537R	Lower Grill	70	8959R	Decal - Upper Dash
12	7538R	Grill Side	71	1123R	Decal - Lower Dash
13	2874R	Grill Screen - L.H.	72	634A091	Petal Weldment P.T.O.
14	2873R	Grill Screen - R.H.	73	634A093	Lower Weldment
15	8058R	Grill Cable	74	503P	*Hex Nut 1/4 - 20 UNC
16	106J	Muffler - Front	75	91J	Pin, Spacer
17	105J	Muffler - Rear	76	7874R	Hood Stud
18	7810H	Gripes Centerlock Nut 3/8 - 24 UNF	77	9007R	Bracket, Rear Shroud
19	634A04	Bushing	78	92J	Rubber Foot
20	1689E	*Lockwasher 5/16	79	257J	Foot Panel
21	1003P	*Lockwasher 5/16	80	1516J	Throttle Wire and Casing
22	506P	*Hex Nut 5/16 - 18 UNC	81	8204R	Throttle Cam
23	878J	Gasket - Exhaust Manifold	82	1516J	Throttle Control
24	89J	Gasket - Exhaust Manifold	83	2072P	*Hex Bolt 3/8 - 16 x 1-1/2
25	834A02	Switch Bracket Assembly	84	3023P	*Hex Bolt 3/8 - 16 x 1
26	834A01	*Lockwasher 5/16	85	634A085	Front Hanger Weldment - L.H.
27	82J	Switch Bracket Assembly	86	2066P	Dotter Pin 7/8 x 1
28	3013P	*Hex Bolt 5/16 - 18 x 1-1/2	87	86J	Cover - L.H.
29	634A04	Lockwasher 5/16	88	1525P	*Washer 8/32 x 5/8 x 16 Ga.
30	5080R	Speed Nut/Push-on	90	1005H	Locknut 1/4 - 20 UNC
31	1004P	*Lockwasher 3/8	91	1005P	Lockwasher No. 10
32	501P	*Hex Nut 3/8 - 18 UNC	93	505P	*Nut No. 10 - 24 UNC
33	634AE38	Bracket Weldment	94	1537P	*Washer 11/32 x 11/8 x 16 Ga.
34	8143R	Decal - By-Pass Valve	94	6056P	*Hex Shroud Mt. Mach. Screw
35	5028R	Decal - Parking Brake			
36	5108P	Filter Mounting Bracket			
37	6204R	Oil Filter Shrink			
38	634AE03	Battery Support Bracket (Inc. Key No. 99)	95	5564P	*Hex Bolt 5/16 - 18 x 1-1/2
39	1613P	Washer 13/32 x 13/16 x 16 Ga.	96	1545P	*Nut No. 3/4 x 17/32 Type 1
40	811J	Neutral Adjustment Cover	97	3025P	*Hex Bolt 3/8 - 16 x 1-1/4
41	7229R	Control - R.H.	98	5501P	*Control Screw, Push-on Pin Hd. Thr
42	8115R	Retainer Nut 3/8 - 16 UNC	99	3267P	*Hex Bolt 1/4 - 20 x 1-1/2
43	634AE04	Engine Mount Assembly	100	3114P	*Hex Bolt 5/16 - 18 x 3/4
44	4923M	Retainer Spring	100	2011P	*Hex Bolt 5/16 - 18 x 3/4
45	8704H	Retainer	103	5010P	*Hex Bolt 5/16 - 18 x 3/4
46	8621R	Bolt, Retainer	104	879J	Carriage Bolt 5/16 - 18 x 3/4
47	96J	Coll. Spacer	105	879J	Clip - Cable
48	8745R	Bolt, Retainer Finger	105	5537P	Cutting Screw, Hex Washer Hd. Thr
49	3164P	Machine Screw, Slotted Fillister Hd.			
50	290J	1/4 - 20 x 2 - 1/4	107	3025P	1/4 - 20 x 1/2 Type 1
51	834AE63	Coll. Panel - Upper	108	4540P	Set Screw, Hex Flange Socket Helico
52	8238H	Bolt, Guard Weldment			
53	347H	Hex Bolt 3/8 - 16 UNC			
54	634AE02	Bolt, Guard Weldment			
55	634AE65	Engine Pulley (Inc. Key No. 108)			
56	8295E	Square Key 1/4 x 2			
57	875J	Grid Brace			
58	302J	Wire Guide			
59	775R	Idle Bearing			
60	8005R	Idle Shaft Cap			
60A	1308J	Decal	118	3366P	Socket Hd. Cap Screw 5/16 - 18 x 3/4

\*STANDARD HARDWARE-PURCHASE LOCALLY

**REPAIR PARTS**

ROPER 18 TWIN HYDRO GARDEN TRACTOR-MODEL NO. T8338AR

**SEAT AND STEERING**



**REPAIR PARTS**

ROPER 18 TWIN HYDRO GARDEN TRACTOR-MODEL NO. T8338AR

**SEAT AND STEERING**

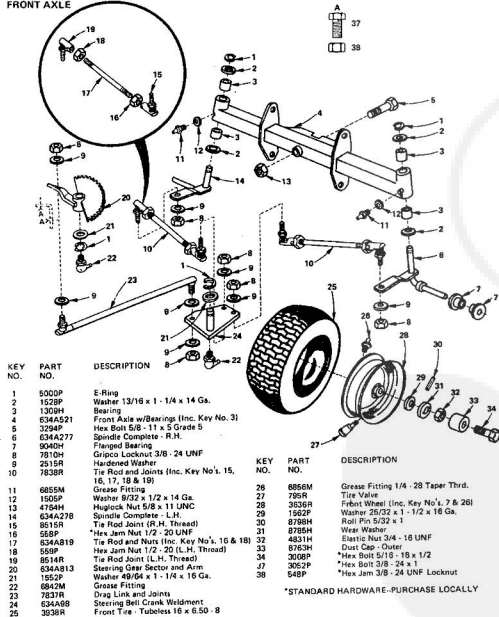
KEY NO.	PART NO.	DESCRIPTION	KEY NO.	PART NO.	DESCRIPTION
1	9719R	Steering Wheel Insert	41	2933R	Fuel Tank
1A	2361	Decal - Roper	42	7293R	Fuel Gauge
2	3022P	*Hex Bolt 3/8" - 16 x 1	43	815R	Fuel Line Fitting
3	1004P	Lockwasher 3/8"	44	7050R	Bracket - Fuel Tank
4	1558P	Washer 7/16 x 1 x 10 Ga.	45	2751R	Clip - Fuel Line
5	3046R	Steering Wheel	46	8782H	Foot Rest Bracket
6	5003P	E-Ring	49	8882R	Foot Pedal
7	9003H	Cap	50	8883R	Insert-Clutch-Brake
8	5949H	Rubber Bushing	51	840J	Foot Rest Shaft
9	6468R	Bearing	52	8738R	Foot Rest - L.H.
10	6999R	Cable - Fuel Line	53	1003P	*Lockwasher 5/16"
11	7833R	Fuel Line (Short)	54	5384H	Locknut 3/8" - 16 UNC
12	8900R	Decal (Attach. Clutch)	55	1578P	Washer 3/4 x 1 - 1/8 x 11 Ga.
13	7904R	Foot Rest - R.H.	56	1500P	Washer 17/32 x 1 - 1/2 x 11 Ga.
14	1527P	Washer 21/32 x 7/8 x 16 Ga.	57	1000P	Lockwasher 1/2"
15	5001P	E-Ring	58	502P	*Hex Nut 1/2" - 13 UNC
16	7895R	Steering Shaft Spacer	59	501P	*Hex Nut 3/8" - 16 UNC
17	9858M1	Woodruff Key 3/16 x 5/8	60	604P	*Hex Nut 5/16" - 18 UNC
18	1553P	Washer 5/16 x 1 - 1/4 x 16 Ga.	61	1002P	Lockwasher 1/4"
19	245J	Decal - Roper	62	1513P	Washer 13/32 x 13/16 x 16 Ga.
20	1185J	Spacer - Tailight Bracket	63	1505P	Washer 9/32 x 5/8 x 16 Ga.
21	1557P	Washer 3/25 x 13/16 x 11 Ga.	64	603P	*Hex Nut 1/4" - 20 UNC
22	634A77S	Steering Shaft & Pinion	65	3003P	*Hex Bolt 1/4" - 20 x 3/4
23	1510P	Washer 15/32 x 1 x 13 Ga.	67	3010P	*Hex Bolt 5/16" - 18 x 3/4
24	4768H	Bearing	68	3165P	*Hex Bolt 5/16" - 18 x 7/8
25	4601R	Rear Tire - Tubeless 23 x 10.00 - 12	69	3020P	*Hex Bolt 3/8" - 16 x 7/8 Gr. 5
26	3635R	Rear Wheel	70	61P	Carriage Bolt 1/2" - 13 x 1 - 1/4 Gr. 5
27	795R	Tire Valve	71	17P	*Carriage Bolt 5/16" - 18 x 1
28	5125R	V-Belt (Ground Drive)	72	3025P	*Hex Bolt 3/8" - 16 x 1 - 1/4
29	8428R	Fender - R.H.	73	3023P	*Hex Bolt 3/8" - 16 x 1
30	636A814	Hanger Weldment - Rear	74	3004P	*Hex Bolt 1/4" - 20 x 1
31	2666R	Bracket - Tailight	75	3021P	*Hex Bolt 3/8" - 16 x 3/4
32	8546P	Fuel Line Group	76	1137H	Lug Nut
33	8177R	Fender - L.H.	77	5137H	*Hex Bolt 3/8" - 16 x 1-1/2
34	8314H	Rear Tire Reinforcement	78	3027P	*Hex Bolt 3/8" - 16 x 1-1/2
35	6404R	Seat Spring	79	81	Brake Carriage Anchor No. 1, E.P.
36	634A523	Seat Bracket Weldment	80	2567R	Washer 17/32 x 1 1/8 x 16 Ga.
37	286J	Seat Bracket Weldment	81	1108J	Warning Tag
38	634A53Z	Seat	—	1191J	Owners Manual
39	6346R	Seat			
40	2063R	Bracket Seat Pivot			

\*STANDARD HARDWARE-PURCHASE LOCALLY

**REPAIR PARTS**

ROPER 18 TWIN HYDRO GARDEN TRACTOR-MODEL NO. T8338AR

**FRONT AXLE**



KEY NO.	PART NO.	DESCRIPTION	KEY NO.	PART NO.	DESCRIPTION
1	5003P	E-Ring	26	8855M	Grease Fitting 1/4" - 28 Taper Thrd.
2	1529P	Washer 13/16 x 1 - 1/4 x 14 Ga.	27	795R	Tire Valve
3	1309H	Bearing	28	3635R	Front Wheel (Inc. Key No's. 7 & 26)
4	634A521	Front Axle w/Bearings (Inc. Key No. 3)	29	1502P	Washer 25/32 x 1 - 1/2 x 16 Ga.
5	3394P	*Hex Bolt 5/8" - 11 x 5 Grade 5	30	8780H	Roll Pin 5/32 x 1
6	634A777	Spline Complete - R.H.	31	8780H	Roll Pin 5/32 x 1
7	9040H	Flanged Bearing	32	4831H	Elastic Nut 3/4" - 16 UNF
8	7810H	Carico Locknut 3/8" - 24 UNF	33	8763H	Dust Cap - Outer
9	2315R	Hardened Washer	34	3008P	*Hex Bolt 5/16" - 18 x 1/2
10	7838R	Tie Rod and Joints (Inc. Key No's. 15, 16, 17, 18 & 19)	35	2653P	*Hex Bolt 3/8" - 24 x 1
11	6855M	Grease Fitting	36	548P	*Hex Jam 3/8" - 24 UNF Locknut
12	1505P	Washer 8/32 x 1 1/2 x 14 Ga.			
13	4764H	Huglock Nut 5/8 x 11 UNC			
14	634A738	Spline Complete - L.H.			
15	8615R	*Hex Jam Nut 1/2" - 20 UNF			
16	568P	*Hex Jam Nut 1/2" - 20 UNF			
17	634A819	Tie Rod and Nuts (Inc. Key No's. 10 & 18)			
18	568P	*Hex Jam Nut 1/2" - 20 (L.H. Thread)			
19	8514R	Tie Rod Joint (L.H. Thread)			
20	634A813	Steering Gear Sector and Arm			
21	1552P	Washer #106 x 1 - 1/8 x 16 Ga.			
22	6842M	Grease Fitting			
23	7837H	Drag Link and Joints			
24	634A88	Steering Bell Crank Weldment			
25	3638R	Front Tire - Tubeless 16 x 6.50 - 8			

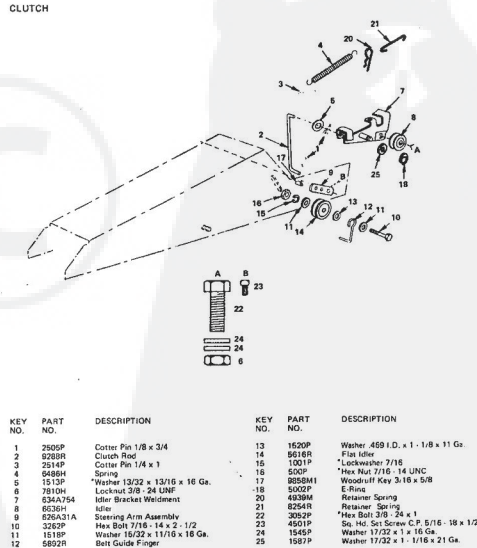
KEY NO.	PART NO.	DESCRIPTION
26	8855M	Grease Fitting 1/4" - 28 Taper Thrd.
27	795R	Tire Valve
28	3635R	Front Wheel (Inc. Key No's. 7 & 26)
29	1502P	Washer 25/32 x 1 - 1/2 x 16 Ga.
30	8780H	Roll Pin 5/32 x 1
31	8780H	Roll Pin 5/32 x 1
32	4831H	Elastic Nut 3/4" - 16 UNF
33	8763H	Dust Cap - Outer
34	3008P	*Hex Bolt 5/16" - 18 x 1/2
35	2653P	*Hex Bolt 3/8" - 24 x 1
36	548P	*Hex Jam 3/8" - 24 UNF Locknut

\*STANDARD HARDWARE-PURCHASE LOCALLY

**REPAIR PARTS**

ROPER 18 TWIN HYDRO GARDEN TRACTOR-MODEL NO. T8338AR

**CLUTCH**



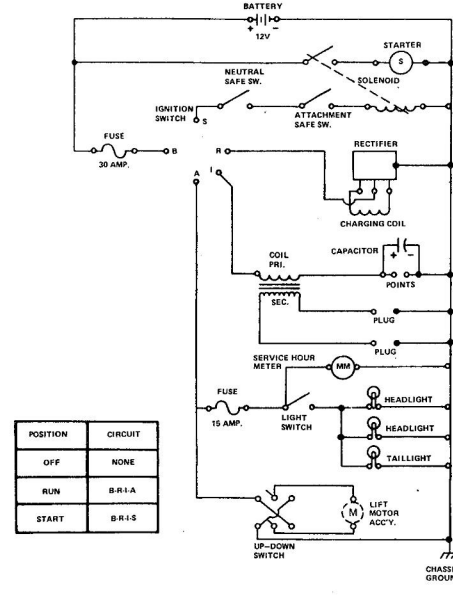
KEY NO.	PART NO.	DESCRIPTION	KEY NO.	PART NO.	DESCRIPTION
1	2005P	Cotter Pin 1/8 x 3/4	13	1520P	Washer 459 I.D. x 1 - 1/8 x 11 Ga.
2	9288R	Clutch Rod	14	8616R	Pin Inter
3	2314P	Cotter Pin 1/4 x 1	15	1001P	Lockwasher 7/16"
4	6488H	Spring	16	500P	*Hex Nut 7/16" - 14 UNC
5	3513P	Washer 3/32 x 13/16 x 16 Ga.	17	8858M1	Woodruff Key 3/8 x 5/8
6	7810H	Locknut 3/8" - 24 UNF	18	3002P	E-Ring
7	634A754	Inter Bracket Weldment	19	4889H	Retainer Spring
8	6530H	Inter	21	8254R	Retainer Spring
9	634A754	Steering Arm Assembly	22	2933R	*Hex Bolt 3/8" - 16 x 1
10	3282P	*Hex Bolt 7/16" - 14 x 2 - 1/2	23	4501P	Se. Hd. Set Screw C.P. 5/16" - 18 x 1/2
11	1518P	Washer 15/32 x 1 1/16 x 16 Ga.	24	1546P	Washer 17/32 x 1 x 16 Ga.
12	6862R	Ball Guide Finger	25	1587P	Washer 17/32 x 1 - 1/8 x 21 Ga.

\*STANDARD HARDWARE-PURCHASE LOCALLY

**REPAIR PARTS**

ROPER 18 TWIN HYDRO GARDEN TRACTOR—MODEL NO. T8338AR

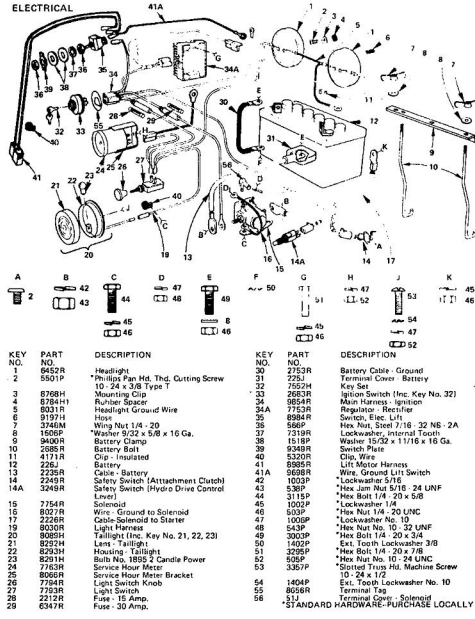
**SCHEMATIC DIAGRAM**



**REPAIR PARTS**

ROPER 18 TWIN HYDRO GARDEN TRACTOR—MODEL NO. T8338AR

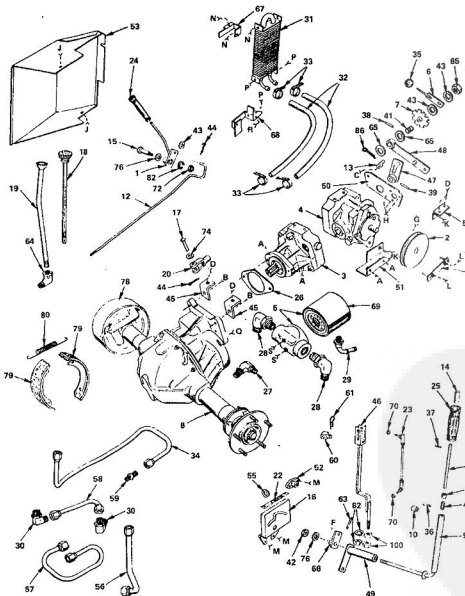
**ELECTRICAL**



**REPAIR PARTS**

ROPER 18 TWIN HYDRO GARDEN TRACTOR—MODEL NO. T8338AR

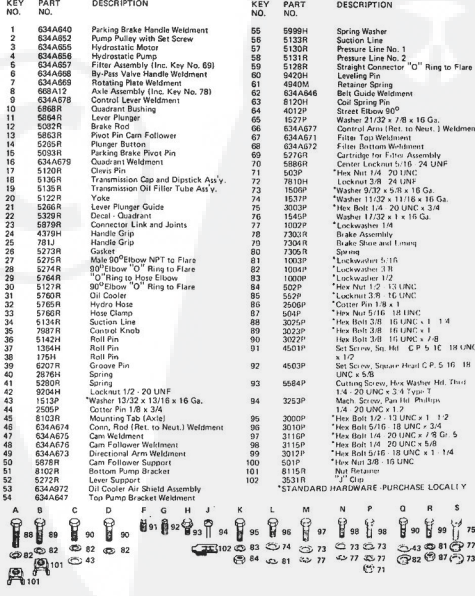
**HYDROSTATIC AXLE, PUMP AND MOTOR**



**REPAIR PARTS**

ROPER 18 TWIN HYDRO GARDEN TRACTOR—MODEL NO. T8338AR

**HYDROSTATIC AXLE, PUMP AND MOTOR**

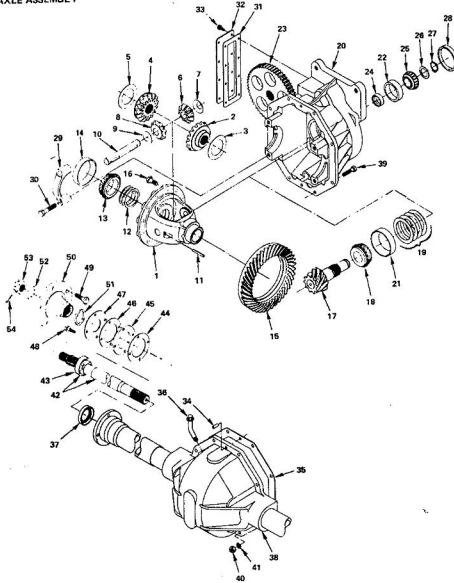




**REPAIR PARTS**

ROPER 18 TWIN HYDRO GARDEN TRACTOR--MODEL NO. T8338AR

AXLE ASSEMBLY



**REPAIR PARTS**

ROPER 18 TWIN HYDRO GARDEN TRACTOR--MODEL NO. T8338AR

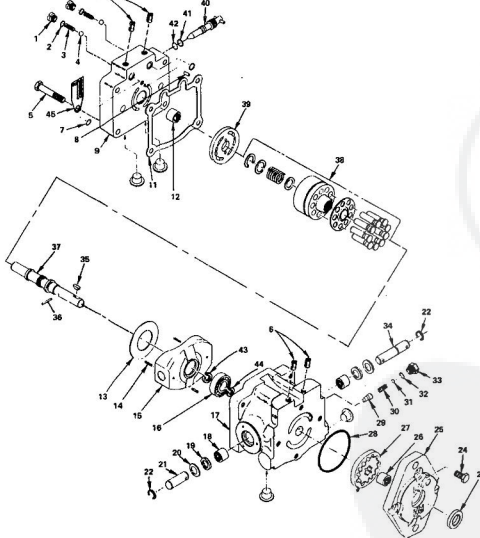
AXLE ASSEMBLY

KEY NO.	PART NO.	DESCRIPTION
1	7164R	Diff. Case
2 & 4	7165R	Diff. Gear (Set of Two)
3 & 5	7166R	Diff. Gear Thrust Washer (Set of Two)
6 & 8	7166R	Diff. Pinion Mate (Set of Two)
7 & 9	7170R	Diff. Pinion Thrust Washer
10	7167R	Diff. Shaft (Pin. Mate)
11	7168R	Diff. Shaft Lock Pin
12	7202R	Diff. Adj. Shim (Set of Four .003 to .005)
13	7207R	Big. Cone
14	7206R	Big. Cone
15 & 17	7171R	Gear and Pinion Assembly
16	7172R	Drive Sprocket
18	7201R	Roller Big. Cone
19	7196R	Pin. Big. Shim (Set of Four .003 to .005)
20, 29 & 30	7173R	Upper Htg. Sub. Assembly (Inc. Key No. 29)
30	3299P	Hex Hd. Cap Screw 7/16. 14 N.C. x 2 Grade 5
21	7200R	Roller Big. Cone
22	7194R	Big. Cone
23	7208R	Spro. Gear
24	7185R	Pin. Big. Spacer
25	7193R	Big. Cone
26	7179R	Pin. Big. Shim (Set of Fourteen .031 to .057)
27	7178R	Snap Ring
28	7177R	Wash. Plug
31	7174R	Gear Cover Gasket
32	7175R	Gear Cover
33	7176R	Hex Top Screw
34	7217R	Down Pin
35	7210R	Housing Gasket
36	7214R	Vent. Tube Assembly
37	7218R	Oil Seal
38	7215R	Lower Htg. and Tube Assembly
39	3303P	Hex Bolt 5/16. 24 NF x 1 1/4 Grade 5
40	518P	Hex Nut 5/16. 24 NF
41	1003P	Lockwasher 5/16
42 & 43	7209R	Axle Shaft and Bearing (Inc. Key No. 43)
45	7211R	Wheel Bearing
44, 46 & 47	7180R	Wheel Bearing Gasket (Set of Three)
48	7181R	Wheel Bearing Retainer
49	7212R	Bolt
50	7216R	Wheel Bolt
51	7219R	Axle Shaft Flange Assembly
52	7218R	Felt Seal
53	7220R	Wheel End Washer
54	7221R	Wheel End Nut
55	7222R	Wheel End Cotter Pin

**REPAIR PARTS**

ROPER 18 TWIN HYDRO GARDEN TRACTOR--MODEL NO. T8338AR

HYDROSTATIC PUMP ASSEMBLY--MODEL NO'S. 15-2023 AND 15-2084



**REPAIR PARTS**

ROPER 18 TWIN HYDRO GARDEN TRACTOR--MODEL NO. T8338AR

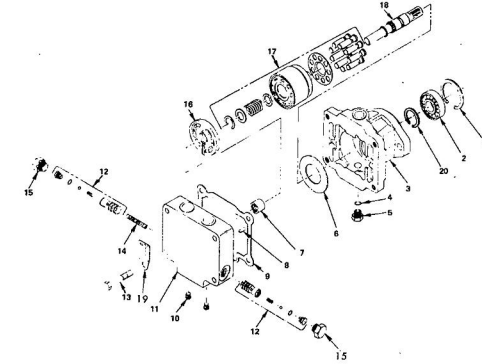
HYDROSTATIC PUMP ASSEMBLY--MODEL NO'S. 15-2023 AND 15-2084

KEY NO.	PART NO.	DESCRIPTION
1, 2, 3	AN14	Check Valve Kit
4	7224R	Hex Head Cap Screw
5	7223R	Pop Plug
6	7226R	O' Ring
7	7227R	Head Str. Pin
8	7228R	End Cap
9	7228R	Gasket
10	7228R	Needle Bearing
11	7228R	Thrust Plate
12	7228R	Coiled Spring Pin
13	7233R	Swashplate
14	7234R	Roll Bearing
15	1601J	Housing (For Pump Model No. 15-2084 ONLY)
16	7235R	Housing (For Pump Model No. 15-2023 ONLY)
17	7235R	Needle Bearing
18	7227R	Lip Seal
19	7238R	Washer
20	7238R	Transition Shaft
21	7240R	Retaining Ring
22	7241R	Lip Seal
23	7242R	Hex Head Cap Screw
24	7243R	Charge Pump Housing
25	7244R	Needle Bearing
26	7245R	Gasket Assembly
27	7246R	O' Ring
28	7247R	Relief Valve Cone
29	7248R	Relief Valve Spring
30	7249R	Spum Back
31	7250R	O' Ring
32	1603J	Hex Head Plug (For Pump Model No. 15-2084 ONLY)
33	7251R	Hex Head Plug (For Pump Model No. 15-2023 ONLY)
34	7252R	Control Shaft
35	7253R	Woodruff Key
36	7254R	Head Str. Pin
37	1602J	Shaft (For Pump Model No. 15-2084 ONLY)
38	7255R	Shaft (For Pump Model No. 15-2023 ONLY)
39	7256R	Cyl. Block Kit
40	7257R	Valve Plate
41	7258R	By-Pass Valve
42	7259R	Back Up Ring
43	1604J	O' Ring
44	1605J	Retaining Ring (For Pump Model No. 15-2084 ONLY)
45	1606J	Retaining Ring (For Pump Model No. 15-2084 ONLY)
46	634A556	Model Part Complete Pump Assembly

### REPAIR PARTS

ROPER 18 TWIN HYDRO GARDEN TRACTOR-MODEL NO. T833BAR

#### HYDROSTATIC MOTOR ASSEMBLY

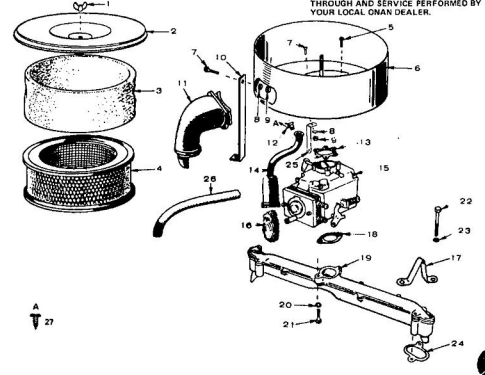


KEY NO.	PART NO.	DESCRIPTION	KEY NO.	PART NO.	DESCRIPTION
1	7262R	Retaining Ring	11	7272R	End Cap
2	7263R	Ball Bearing	12	7271R	Accelerator Valve Assembly
3	7264R	Motor Case	13	7278R	Hex Head Cap Screw
4 & 6	7265R	Hex Hd. Plug	14	7275R	Accelerator Spring
5	7231R	Thrust Plate	15	7230R	Hex Head Plug
7	7230R	Roller Bearing	16	7273R	Valve Plate
8	7272R	Hdless. Str. Pin	17	7256R	Cyl. Block Kit
9	7229R	Gasket	18	7278R	Main Shaft
10	7273R	Pipe Plug	19	.....	Model Plate
			20	2241	Retaining Ring
			.....	63AA555	Complete Motor Assembly

### REPAIR PARTS

ROPER 18 TWIN HYDRO GARDEN TRACTOR-MODEL NO. T833BAR

#### FUEL SYSTEM GROUP



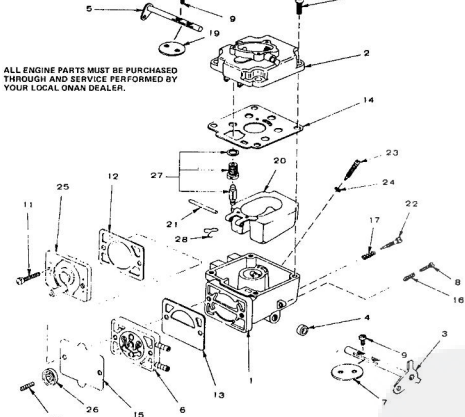
ALL ENGINE PARTS MUST BE PURCHASED THROUGH AND SERVICE PERFORMED BY YOUR LOCAL OMAN DEALER.

KEY NO.	PART NO.	DESCRIPTION	KEY NO.	PART NO.	DESCRIPTION
1	800-0020	Wing Nut (1/4" - 20)	15	142-0568	Carburetor
2	140-1189	Air Cleaner Cover	16	123-0865	Filter
3	140-1259	Air Cleaner Wrapper	17	403-1021	Lifting Bracket
4	140-1216	Air Cleaner Element	18	145-0030	Gasket
5	815-0463	Machine Screw, Slotted Head (No. 10 - 5/8")	18	184-1468	Intake Manifold
6	140-1213	Air Cleaner Housing	19	800-0023	Cap Screw (1/4" - 20 x 1 - 3/8")
7	800-0002	Cap Screw (1/4" - 20 x 1/2")	20	800-0023	Cap Screw (1/4" - 20 x 1 - 3/8")
8	863-0013	Lockwasher (1/4")	21	.....	Cap Screw
9	865-0011	Hex Nut (1/4" - 20)	22	800-0033	5/16 - 18 x 2"
10	140-1198	Support	23	800-0034	5/16 - 18 x 2 - 1/4"
11	140-1189	Air Intake Tube	24	184-1744	Gasket
12	518-0028	Cable Clip	25	140-1313	Support
13	140-1215	Gasket	26	503-0740	Fuel Hose
14	123-1277	Breather Tube	27	550P	Tub Screw Sl. Pan Hd. No. 8 x 3/4 Type A8

### REPAIR PARTS

ROPER 18 TWIN HYDRO GARDEN TRACTOR-MODEL NO. T833BAR

#### CARBURETOR PARTS GROUP



ALL ENGINE PARTS MUST BE PURCHASED THROUGH AND SERVICE PERFORMED BY YOUR LOCAL OMAN DEALER.

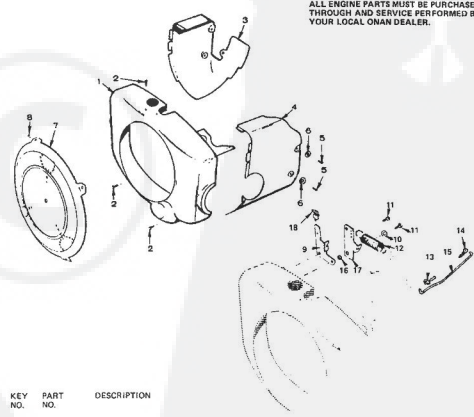
KEY NO.	PART NO.	DESCRIPTION	KEY NO.	PART NO.	DESCRIPTION
1	142-0574	Body	17	142-0582	*Spring
2	142-0573	Body	18	142-0545	*Spring
3	142-0574	Throttle Shaft	19	142-0546	Fly
4	142-0525	Idler	20	142-0597	Pin
5	142-0535	Choke Shaft	21	142-0548	*Shaft
6	142-0537	*Valve Assembly	22	142-0016	Side Needle
7	142-0538	Fly	23	142-0549	High Speed Screw
8	142-0004	Trim Screw	24	142-0550	*Screw
9	142-0334	*Screw	25	142-0551	Cover
10	142-0539	Screw	26	142-0552	*Plate
11	142-0540	Screw	27	142-0553	*Valve Assembly
12	142-0541	Gasket	28	142-0014	Retaining Clip
13	142-0542	Gasket	.....	142-0071	Gasket Kit (Inc. Parts Marked *)
14	142-0572	Gasket	.....	142-0570	Repair Kit (Inc. Parts Marked *)
15	142-0555	*Diaphragm			
16	142-0544	Spring			

\*Parts included in 142-0571 Gasket Kit.  
\*Parts included in 142-0570 Repair Kit.

### REPAIR PARTS

ROPER 18 TWIN HYDRO GARDEN TRACTOR-MODEL NO. T833BAR

#### BLOWER HOUSING AND GOVERNOR GROUP



ALL ENGINE PARTS MUST BE PURCHASED THROUGH AND SERVICE PERFORMED BY YOUR LOCAL OMAN DEALER.

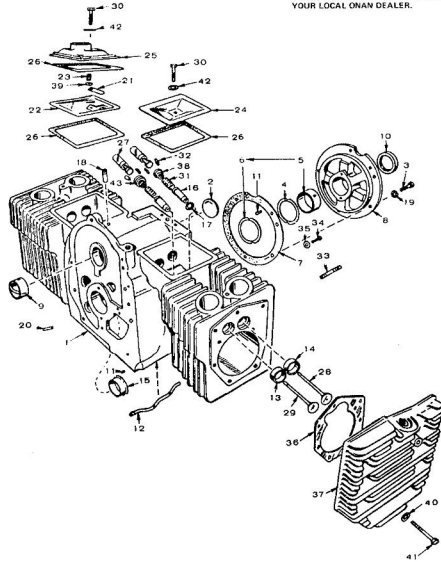
KEY NO.	PART NO.	DESCRIPTION
1	134-3567	Blower Housing
2	815-0281	Cap Screw (1/4" - 20 x 7/16")
3	134-2980	Cylinder Air Housing, Left Side
4	134-2818	Cylinder Air Housing, Right Side
5	815-0290	Cap Screw (1/4" - 20 x 5/8")
6	528-0021	Flat Washer (1/764" I.D. x 3/4" O.D. x 1/16" Thick)
7	134-2313	Guard
8	815-0378	Cap Screw, W/EI (No. 14 x 1/2")
9	153-1343	Bracket
10	525-0214	Flat Washer (1/764" I.D. x 1/2" O.D. x 1/16" Thick)
11	815-0436	Cap Screw (1/4" - 20 x 1/2")
12	150-1114	Spring
13	870-0278	Retainer Clip
14	518-0004	Retainer Clip
15	150-1360	Rod
16	150-1268	Washer
17	150-1516	Arm
18	518-0176	Clip

### REPAIR PARTS

ROPER 18 TWIN HYDRO GARDEN TRACTOR-MODEL NO. T8338AR  
ONAN ENGINE-MODEL NO. B48M-GA018/3475A

#### CYLINDER BLOCK GROUP

ALL ENGINE PARTS MUST BE PURCHASED THROUGH AND SERVICE PERFORMED BY YOUR LOCAL ONAN DEALER.



### REPAIR PARTS

ROPER 18 TWIN HYDRO GARDEN TRACTOR-MODEL NO. T8338AR  
ONAN ENGINE-MODEL NO. B48M-GA018/3475A

#### CYLINDER BLOCK GROUP

KEY NO.	PART NO.	DESCRIPTION	KEY NO.	PART NO.	DESCRIPTION	
1	110 2590	Cylinder Block Assembly	21	123 1175	Retail	
2	537 0048	*Plug	22	123 1173	Barfite	
3	800 0091	*Cap Screw (3/8 - 16 x 1 - 1/4")	23	123 1174	Spring	
4	104 0775	*Shim (.025" Thick)	24	110 1870	Valve Cover	
5	101 0450	Standard	25	110 2271	Valve Cover	
6	101 0450 02	.002" Undersize	26	110 1297	Gasket	
7	101 0450 10	.010" Undersize	27	115 8006	*Standard	
8	101 0450 20	.020" Undersize	115 8006 01	.001" Oversize		
9	101 0450 30	.030" Undersize	115 8006 02	.002" Oversize		
10	101 0450 40	.040" Undersize	115 8006 05	.005" Oversize		
11	101 0450 50	.050" Undersize	110 1805	Intake Valve		
12	101 0450 60	.060" Undersize	29	110 1800	Exhaust Valve	
13	101 0450 70	.070" Undersize	30	800 0010	Cap Screw (1/4 - 20 x 3/4")	
14	101 0450 80	.080" Undersize	31	110 0539	Valve Spring	
15	101 0450 90	.090" Undersize	32	110 0039	Valve Spring Lock	
16	101 0450 00	Standard	33	629 0820	Shut	
17	101 0450 10	.010" Undersize	34	609 0046	Cap Screw (3/8 - 16 x 1/2")	
18	101 0450 20	.020" Undersize	35	626 0005	Flat Washer, Copper (25/64" I.D. x 9/16" O.D. x 1/16" Thick)	
19	101 0450 30	.030" Undersize	36	110 2287	Head Gasket	
20	101 0450 40	.040" Undersize	37	CYLINDER HEAD		
			110 2564	Right Side		
			110 2563	Left Side		
			110 0604	Rock Cap - Exhaust Valves		
			38	526 0016	Flat Washer (17/64" I.D. x 5/8" O.D. x 1/16" Thick)	
			39	526 0122	Flat Washer (11/32" I.D. x 23/32" O.D. x 10 Ga.)	
			41	CAP SCREW SPECIAL		
			609 0540	5/16 - 18 x 1 - 5/8"		
			800 0541	5/16 - 18 x 2"		
			526 0063	Flat Washer, Copper (17/64" I.D. x 7/16" O.D. x 1/32" Thick)		
			43	110 0893	Retainers - Intake Valves	
			160 1213	Ignition Tube Kit		
			160 0140	Carbon Removal Gasket Kit		
			160 0141	Engine Gasket Kit		

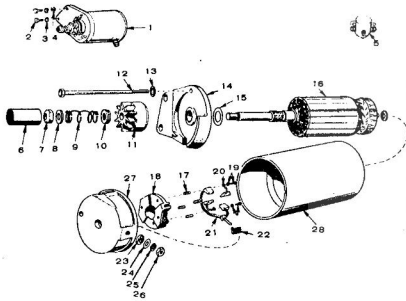
\*Parts Included in Cylinder Block Assembly

### REPAIR PARTS

ROPER 18 TWIN HYDRO GARDEN TRACTOR-MODEL NO. T8338AR  
ONAN ENGINE-MODEL NO. B48M-GA018/3475A

#### STARTER GROUP

ALL ENGINE PARTS MUST BE PURCHASED THROUGH AND SERVICE PERFORMED BY YOUR LOCAL ONAN DEALER.



KEY NO.	PART NO.	DESCRIPTION	KEY NO.	PART NO.	DESCRIPTION
1	191 0933	Starting Motor, Complete	15	191 1038	Washer
2	800 0028	Cap Screw (5/16 - 18 x 1")	16	191 1039	Armature
3	850 0045	Lockwasher (5/16")	17	8	*Spring
4	526 0113	Flat Washer (11/32" I.D. x 1" O.D. x 3/32" Thick)	18	8	*Brush
5	307 1031	Starting Solenoid	19	8	*Screw and Lockwasher
6	191 1024	Dust Cover	20	8	*Stud and Brush Assembly
7	191 1045	Stop Nut	21	8	*Brush
8	191 1046	Washer	22	8	*Insulation Washer
9	191 1025	Spring	23	8	*Flat Washer
10	191 1047	Spacer	24	8	*Lockwasher
11	191 1036	Drive Assembly	25	8	*Nut
12	191 1048	Cap Screw	26	8	*Housing
13	850 0040	Lockwasher (1/4")	27	191 1040	Cap Assembly (Inc. Parts Marked +)
14	191 1037	Cap Assembly	28	191 1041	Repair Package (Inc. Parts Marked *)

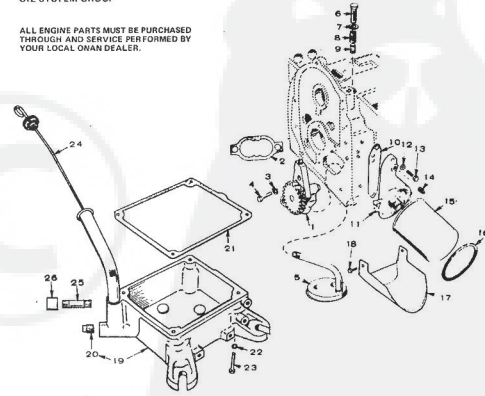
\*Parts included in 191 1040 Cap Assembly  
\*Parts included in 191 1041 Repair Package  
& Not Sold Separately

### REPAIR PARTS

ROPER 18 TWIN HYDRO GARDEN TRACTOR-MODEL NO. T8338AR  
ONAN ENGINE-MODEL NO. B48M-GA018/3475A

#### OIL SYSTEM GROUP

ALL ENGINE PARTS MUST BE PURCHASED THROUGH AND SERVICE PERFORMED BY YOUR LOCAL ONAN DEALER.

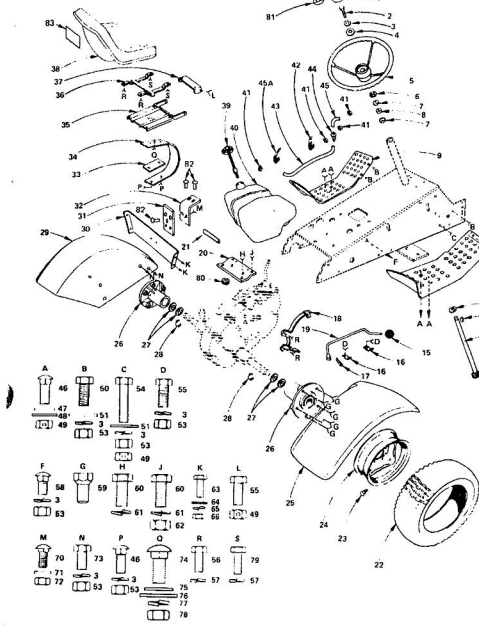


KEY NO.	PART NO.	DESCRIPTION	KEY NO.	PART NO.	DESCRIPTION
1	120 0401	Oil Pump (Components Not Sold Separately)	13	800 0028	Cap Screw (5/16 - 18 x 1")
2	120 0101	Oil Pump Gasket Kit	14	605 0057	Pin Plug
3	850 0040	Lockwasher (1/4")	15	122 0338	Oil Filter
4	800 0007	Cap Screw (1/4 - 20 x 1")	16	122 0347	Air Seal, Filter to Housing
5	120 0113	Intake Gasket	17	122 0380	Oil Drain
6	801 0050	Cap Screw (3/8 - 24 x 1")	18	615 0194	Cap Screw W/ET (No. 10 - 32 x 3/8")
7	526 0056	Flat Washer, Copper (25/64" I.D. x 9/16" O.D. x 1/16" Thick)	19	102 0741	Oil Base
8	120 0140	Spring	20	605 0056	Pin
9	120 0140	Spring	21	102 0693	Gasket
10	120 0398	Plunger	22	800 0050	Lockwasher (3/8")
11	122 0321	Gasket	23	800 0056	Cap Screw (3/8 - 16 x 2 - 1/2")
12	526 0005	Flat Washer, Copper (21/64" I.D. x 9/16" O.D. x 1/16" Thick)	24	123 1292	Cap and Indicator
			25	505 0176	Pin Nipple (1/2 x 3 - 1/2")
			26	505 0158	Pin Cap (1/2")



### REPAIR PARTS

20T GARDEN TRACTOR-MODEL NO. T9329AR  
STEERING AND FINAL DRIVE



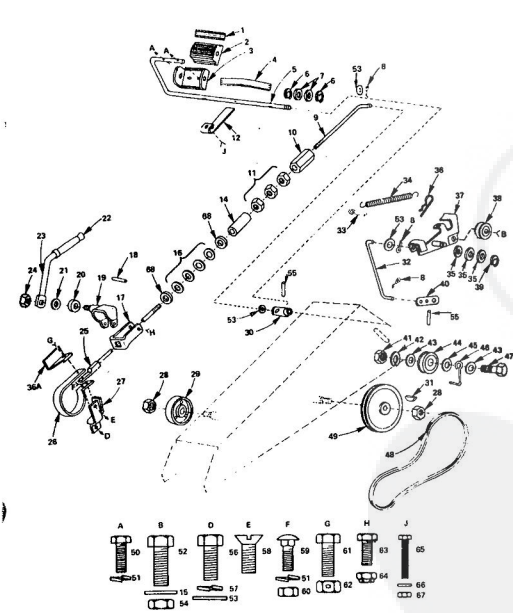
### REPAIR PARTS

20T GARDEN TRACTOR-MODEL NO. T9329AR  
STEERING AND FINAL DRIVE

KEY NO.	PART NO.	DESCRIPTION	KEY NO.	PART NO.	DESCRIPTION
1	9719R	Steering Wheel Inset	46	61P	Sq. Nt. Dnt. Shim. Cur. Bolt 3/8 x 1 1/4
2	3022P	*Hex Bolt 3/8 x 1 1/4	47	1813P	Washer 13/32 x 13/16 x 16 Ga.
3	1004P	*Lockwasher 3/8	48	1518P	Washer 10/32 x 1 x 17 Ga.
4	1559P	Washer 7/16 x 1 x 10 Ga.	49	5394H	Locknut 3/8 UNC
5	3644R	Steering Wheel	50	3022P	*Hex Bolt 3/8 x 1 1/4
6	6003P	E-Ring	51	1557P	Washer 13/32 x 13/16 x 11 Ga.
7	9007H	Cap	53	501P	*Hex Nut 3/8 - 16 UNC
8	5949H	Rubber Bushing	54	3022P	*Hex Bolt 3/8 x 1 1/4
9	7903R	Foot Rest - L.H.	55	3022P	*Hex Bolt 3/8 - 16 x 7/8
10	8509P	Steel Kickback Clutch	56	3018P	*Hex Bolt 5/16 - 20 x 3/4
11	7904H	Foot Rest - R.H.	57	1003P	*Lockwasher 5/16
12	1552P	Washer 5/16 x 1 - 1/4 x 16 Ga.	58	1304H	Sq. Neck Carriage Bolt 3/8 - 16 x 3/4
13	8869M1	Woodruff Key 3/16 x 3/8	59	3024P	Hex Bolt 3/8 - 16 x 1
14	634A226	Steering Shaft and Pinion	60	500P	*Hex Nut 1/8 - 14 UNC
15	6364H	Control Knob	61	1001H	Lockwasher 7/16
16	6442H	Shift Rod Bracket	62	500P	*Hex Nut 1/8 - 14 UNC
17	2511R	Control Rod	63	3003P	*Hex Bolt 1/8 - 20 x 3/4
18	634A22A	Ball Guide	64	1505P	*Washer 9/32 x 5/8 x 10 Ga.
19	6477H	Range Shift Rod	65	1002P	*Lockwasher 1/4
20	9504R	Transmission Bracket	66	603P	*Hex Nut 1/4 - 20 UNC
21	8514R	Seat Stop	67	18P	Sq. Neck Shoulder Sq. Neck Carriage Bolt 5/16 - 18 x 3/4
22	4607R	Rear Tire 23 x 10.50 - 12	68	1557P	Washer 11/32 x 13/16 x 16 Ga.
23	785R	Tire Valve	69	1001H	Lockwasher 7/16
24	2625P	Rear Wheel	70	1001H	Lockwasher 7/16
25	9428R	Fender - R.H.	71	1865H	Lock Nut 1/2 - 13/16 x 16 Ga.
26	634A202	Wheel Hub - Rear	72	3021P	*Hex Bolt 3/8 - 16 x 3/4
27	7660R	Axle Thrust Washer	73	52P	Carriage Bolt 1/2 - 13 x 1 - 1/4 Gr. 5
28	5895H	Retaining Ring	74	1557P	Washer 3/4 x 1 - 1/8 x 11 Ga.
29	9427R	Fender - L.H.	75	1860P	*Lockwasher 1/2
30	2056H	Bracket - Tail Light	76	1557P	Washer 11/32 x 13/16 x 16 Ga.
31	125J	Seat Stop Bracket	77	1000P	*Lockwasher 1/2
32	135J	Fuel Tank Retainer	78	502P	*Hex Nut 1/2 - 13 UNC
33	8141H	Seat Spring Reinforcement	79	3159P	*Hex Bolt 5/16 - 18 x 7/8
34	7889H	Seat Spring	80	5547R	Rubber Grommet
35	634A176	Seat Plate Weldment	81	235A	Steering Wheel Detail
36	634A537	Seat Bracket Weldment	82	124	Rubber Burner
37	7827H	Bracket, Seat Piv.	83	245J	Detail - Ripper
38	9744R	Seat	1418J	Warranty Tag	
39	2379J	Fuel Gauge	1419J	Owner's Manual	
40	7885R	Fuel Tank			*STANDARD HARDWARE - PURCHASE LOCALLY
41	6899R	Fuel Line Clamp			
42	2751R	Clip - Fuel Line			
43	897J	Fuel Line			
44	7741R	In-Line Filter			
45	903J	Fuel Line Elbow			
46A	9297R	Clip - Fuel Line			

### REPAIR PARTS

20T GARDEN TRACTOR-MODEL NO. T9329AR  
BRAKE AND CLUTCH



### REPAIR PARTS

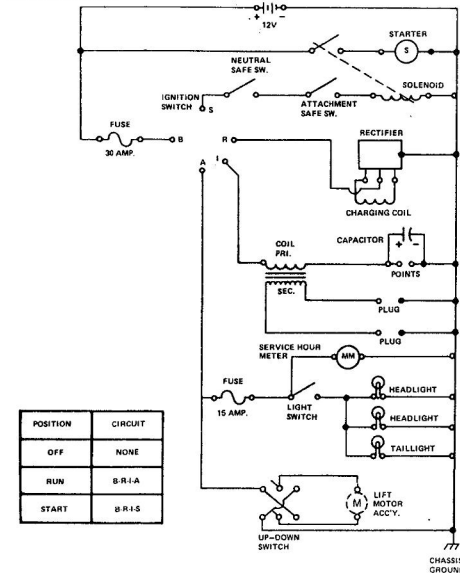
20T GARDEN TRACTOR-MODEL NO. T9329AR  
BRAKE AND CLUTCH

KEY NO.	PART NO.	DESCRIPTION	KEY NO.	PART NO.	DESCRIPTION
1	8899R	Insert Clutch Brake	27	634A754	Idler Bracket Weldment
2	8827R	Foot Pedal	28	6038H	Idler
3	8760H	Foot Pedal Bracket	29	6002P	E-Ring
4	9008H	Screw	30	634A680	Steering Arm Assembly
5	111J	Foot Pedal Shaft	31	600P	*Hex Nut 7/16 - 14 UNC
6	5001P	E-Ring	32	1001P	Lockwasher 7/16
7	1527H	Washer 21/32 x 7/8 x 16 Ga.	33	1544P	Washer 15/32 x 15/16 x 16 Ga.
8	2005P	Center Pin 1/8 x 3/4	34	6625H	Flat Idler 1/2 x 1 - 1/8 x 11 Ga.
9	2307H	Brake Rod - Front	35	1520P	Washer #60 I.D. x 1 - 1/8 x 11 Ga.
10	6417H	Turboclutch	36	6479H1	Belt Fange
11	501P	*Hex Nut 3/8 - 16 UNC	37	3022P	*Hex Bolt 7/16 - 14 x 2 - 1/2
12	7823R	Safety Start Actuator	38	2692R	V-Belt
13	2207R	Bushing	39	5451H2	Pulley, Transmission
14	1557P	Washer 13/32 x 13/16 x 11 Ga.	40	3003P	*Hex Bolt 1/4 - 20 x 3/4
15	1557P	Washer 13/32 x 13/16 x 11 Ga.	41	1003P	Lockwasher 1/4
16	2762R	Spring Washer	42	3341P	*Fin. Hex Bolt 3/8 - 24 x 1
17	9686R	Parking Brake Yoke	43	1813P	Washer 13/32 x 13/16 x 16 Ga.
18	175H	Roll Pin	44	146P	*Hex Nut 3/8 - 24 UNC
19	634A987	Lock Bracket Assembly	45	8142H	Roll Pin
20	2221R	Parking Brake Spacer	46	3022P	*Hex Bolt 3/8 - 16 x 7/8
21	6492H	Seal Washer	47	1004P	Lockwasher 3/8
22	4379H	Handle Grip	48	3164P	Ful. Hd. Machine Screw - Undercut 3/8 - 18 x 3/4
23	634A341	Parking Lock Handle Assembly	49	5164P	Sq. Neck Carriage Bolt 1/4 - 20 x 5/8
24	7810H	Grisco Centerlock Nut 3/8 - 24 UNF	50	603P	*Hex Nut 1/4 - 20 UNC
25	626A395	Brake Rod Assembly	51	3159P	*Hex Bolt 5/16 - 18 x 7/8
26	634A167	Brake Band Assembly	52	1865H	Locknut 5/16 - 18 UNC
27	634A168	Brake Bracket Assembly	53	3244P	*Hex Nut 1/4 - 20 x 5/8 Gr. 5
28	9204H	Lock Nut 1/2 - 20 UNF	54	8071H	Hex Hd. Mach. Screw 1/4 - 70 UNF
29	2143	Brake Drum	55	3328P	Hex Hd. Mach. Screw 6 - 32 x 1
30	634A809	Brake Arm Assembly	56	1567P	Washer 5/32 x 3/8 x 20 Ga.
31	9858M1	Woodruff Key	57	582P	Centerlock Nut 6 - 32 UNC
32	9398R	Clutch Rod	58	1802P	Washer 13/32 x 5/8 x 11 Ga.
33	2514P	Center Pin 1/4 x 1			
34	6489H	Spring			
35	1587P	*Washer 17/32 x 1 - 1/16 x 21 Ga.			
36	4839M	Retainer Spring			
36A	644J	Hose Shield			

### REPAIR PARTS

20T GARDEN TRACTOR-MODEL NO. T9329AR

#### SCHEMATIC DIAGRAM

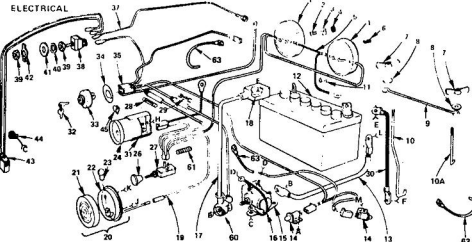


POSITION	CIRCUIT
OFF	NONE
RUN	B-R-I-A
START	B-R-I-S

WIRING CLIPS AND CABLE TIES  
If Clips or Ties were removed for servicing of unit, they should be replaced to properly secure your wiring.

### REPAIR PARTS

20T GARDEN TRACTOR-MODEL NO. T9329AR



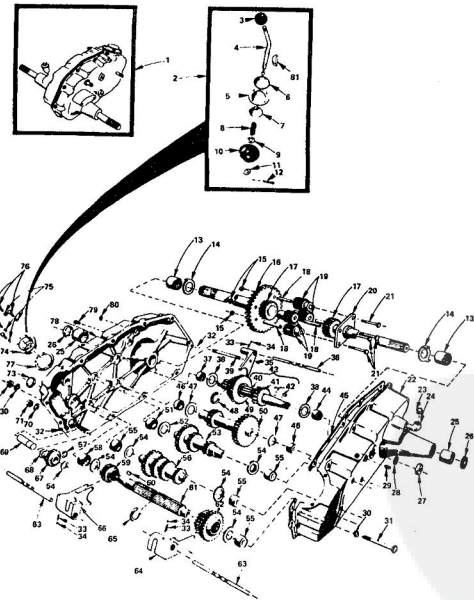
KEY NO.	PART NO.	DESCRIPTION	KEY NO.	PART NO.	DESCRIPTION
1	8452R	Headlight	33	2683R	Ignition Switch
2	5654P	Phillips Pan Hd. Thd. Cutting Screw No. 10 - 16 x 1/2	34	8868R	Terminal Identifier
3	8780H	Mounting Clip	35	1492J	Wire Harness, Main
4	8784H1	Rubber Spacer	37	8888R	Wire, Ground Lift Switch
5	8231R	Headlight Ground Wire	38	566P	Switch, Elec. Lft
6	8197H	Hose	39	566P	*Hex Nut 5/16 - 32 NS - 2A
7	3748M	Washer 1/4 - 20 UNC	40	7518R	Lockwasher, Internal Tooth
8	1506P	Washer 9/32 x 5/8 x 16 Ga.	41	1818P	Washer 15/32 x 11/16 x 18 Ga.
9	7955R	Battery Clamp	42	8320R	Switch, Blade
10	2688R	Battery Bolt	43	8885R	Lift Motor Harness
10A	881	Battery Bolt	43	8320R	Clc. Wire
11	4171R	Insulated Clip	45	8815R	Lift Motor
12	228J	Battery Cable	45	5554P	Clc. Wire
13	2238R	Cable - Solenoid to Start.	47	1003P	*Serrated Hex Indented Hd. Self Tapping Screw No. 10 - 24 x 3/8 Type 1
14	7755R	Solenoid	48	538P	*Lockwasher 5/16
15	7754H	Solenoid	48	538P	*Hex Nut 5/16 - 24 UNF
16	8257R	Wire - Ground to Solenoid	49	3115P	*Hex Bolt 1/4 - 20 x 5/8
17	116J	Battery Cable	50	1002P	*Lockwasher 1/8
18	225J	Terminal Code	51	1023P	*Hex Nut 1/4 - 20 UNC
19	8038R	Light Harness	52	1026P	*Lockwasher No. 10
20	8065H	Lens - Taillight	53	1023P	*Hex Nut No. 10 - 32 UNF
21	8292H	Lens - Taillight	54	1402P	*Ext. Tooth Lockwasher 3/8
22	8253H	Bulb No. 1995 2 Candle Power	55	505P	*Hex Bolt 1/4 - 20 x 3/4
23	8291H	Maintenance Meter	55	505P	*Hex Nut No. 10 - 24 UNC
24	7733R	Light Switch Knob	57	1840P	*Hex Truss Hd. Mach. Screw 10 - 24 x 3/4
25	7733R	Light Switch	58	1404P	*Ext. Tooth Lockwasher No. 10
26	7738R	Fuse - 15 Amp.	59	1840P	*Hex Bolt 3/16 x 1 1/2 x 18 Ga.
27	6247R	Fuse - 15 Amp.	60	51J	Solenoid Terminal Cover
28	2712R	Maintenance Meter Bracket	61	1852J	Cable Tie
30	2753R	Battery Cable - Ground	62	3218P	*Hex Hd. Mach. Screw No. 10 - 24 x 1/2
31	8266R	Key Set	63	1026P	*Lockwasher 5/16
32	7552H	Key Set			

\*STANDARD HARDWARE-PURCHASE LOCALLY

### REPAIR PARTS

20T GARDEN TRACTOR-MODEL NO. T9329AR

#### TRANSAXLE



### REPAIR PARTS

20T GARDEN TRACTOR-MODEL NO. T9329AR

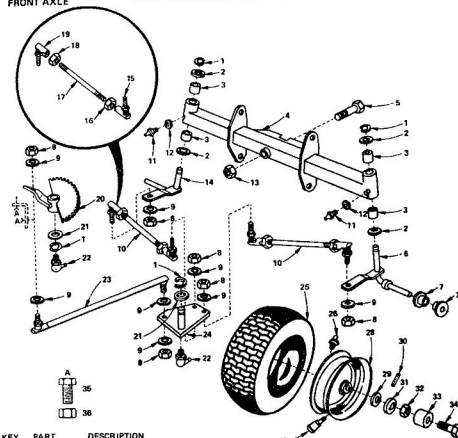
#### TRANSAXLE

KEY NO.	PART NO.	DESCRIPTION	KEY NO.	PART NO.	DESCRIPTION
1	633A92	Transaxle Assembly Less Brake Drum & Shift Lever (Inc. Key No's. 1, 2 thru 80)	44	8113M	Needle Bearing
2	633A82	Gear Shift Lever Assembly (Inc. Key No's. 3 thru 12 and 81)	45	6275H	Gasket - Gearcase
3	6386H	Control Knob	46	8117M	Needle Bearing
4	9635R	Gear Shift Lever	47	7396H	Thrust Bearing Race
5	633A85	Gear Shift Bolt Cover and Pin	48	6270H	Snap Ring - Crescent Type
6	9013R	Gear Shift Cap	49	633A14	High - Low Range Gears and Hub
7	8788H1	Shift Lever Guide Ball	50	633A33	4th Reduction Shaft and Gears
8	4024H	Spring	51	7395H	Needle Bearing
9	1803P	*Washer 15/32 x 5/8/64 x 16 Ga.	52	7395H	2nd Reduction Shaft and Gears
10	8105R	Shift Mechanism Seal	53	633A31	Thrust Bearing Race
11	1525P	Washer 9/16 x 5/16 x 11 Ga.	54	1370H	Needle Bearing
12	7505P	Center 1/8 x 3/4	55	4895H	Needle Bearing
13	2039R	Needle Bearing	56	830A20	Speed Change Gear and Shaft
14	6268H	Axle Thrust Washer	57	5001P	E-Ring
15	7810H	Centerlock Gripco Nut 3/8 - 24 UNF	58	4894H	Needle Bearing
16	8662H	Fourth Drive Gear	59	6207H	Low Speed Pinion
17	633A13	Axle Shaft and Gear	60	8850M1	Woodruff Key
18	6292H1	Beaking - Differential Pinion	61	6218H	Input Shaft
19	8667H	Differential Pinion	62	633A11	Intermediate and High-Speed Pinions
20	6263H1	Differential Carrier	63	6219H	Shift Fork Shaft
21	3056P	*Hex Bolt - 24 x 3 - 1/4 1" Thread Length	64	4210R	Shift Fork - L.H.
22	633A89	Gear Case and Bearings - L.H.	65	4922H	Snap Ring - Crescent Type
23	4002P	Pipe Plug 1/2 - 14 N.P.T.	66	6202H	Shift Fork - R.H.
24	4003P	SB Stress Elbow 1/2 - 14 N.P.T.	67	1153R	Reverse Idler Gear
25	8621H	Sintered Iron Bearing	68	7392H	Reverse Idler Shaft
26	7392R	Oil Seal	69	7384H	Reverse Idler Thrust Washer
27	6204H	Lock Nut	70	1167R	Sealing Washer
28	6271H	Oil Seal	71	6418P	*Hex Jam Nut 7/16 - 20 UNF
29	4001P	Pipe Plug 1/4 - 18 N.P.T.	72	604P	*Hex Nut 5/16 - 18 UNC
30	1001P	Lockwasher 5/16 Extra Heavy	73	6270H	Oil Seal
31	3087P	*Hex Bolt 5/16 - 18 x 1 - 1/2 G 5	74	75J	Gear Shift Gate
32	6272H	Down Pin	75	1003P	*Lockwasher 5/16
33	6272H	Spring - Shift Fork Detent	76	2195P	*Hex Bolt 5/16 - 18 x 7/8
34	7392M	Steel Pin	77	6274H	Gasket - Shift Bolt Cover
35	6200H	Shift Fork High - Low Range	78	633A50	Gear Case, Reverse Idler Shaft and Bearings R.H.
36	6217H	High - Low Range Shift Fork Shaft	79	8655H	Pressure Relief Valve
37	8118M	Needle Bearing	80	6268H	Oil Seal
38	6266H	Thrust Bearing Race	81	7832M	Woodruff Key
39	6215H	High - Low Range Shift Shaft			
40	6211H	3rd Reduction Gear Shaft			
41	8655H	4th Reduction Pinion			
42	2229M	Woodruff Key			
43	633A32	3rd Reduction Shaft and Gear (Inc. Key No's. 40, 41 & 42)			

\*STANDARD HARDWARE-PURCHASE LOCALLY

### REPAIR PARTS

20T GARDEN TRACTOR-MODEL NO. T9329AR



KEY NO.	PART NO.	DESCRIPTION	KEY NO.	PART NO.	DESCRIPTION
1	6000P	E-Ring	22	6842M	Grease Fitting
2	1528P	Washer 13/16 x 1 - 1/4 x 14 Ga.	23	7577B	Drag Link and Joints
3	1358H	Bearing	24	634AB	Steering Ball Crank Weldment
4	634A621	Front Axle w/Bearings (Inc. Key No. 3)	25	3835R	Front Tire 18 x 6.50-5
5	3234P	Hex Bolt 5/8" x 5 Grade 5	26	6858M	Grease Fitting 1/4" - 28 Taper Thrd.
6	634A277	Spline Complete - R.H.	27	7575R	Tire Valve
7	8240H	Flanged Bearing	28	3635R	Front Wheel and Bearings
8	7810H	Gripco Locknut 3/8 - 24 UNF	29	165R	Wear Washer
9	2615R	Hardened Washer	30	8788H	Roll Pin 5/32 x 1 - 1/2 x 16 Ga.
10	7838R	Tie Rod and Joints (Inc. Key No's 16, 18, 17, 18 & 19)	31	8785H	Roll Pin 5/32 x 1 - 1/2 x 16 Ga.
11	6858M	Grease Fitting	32	4821H	Elastic Nut 3/4 - 16 UNF
12	1958P	Washer 1/2 x 1 1/2 x 14 Ga.	33	8785H	Roll Pin 5/32 x 1 - 1/2 x 16 Ga.
13	4764H	Hoglock Nut 6/8 - 11 UNC	34	3000P	Hex Bolt 5/16 - 18 x 1/2
14	634A27B	Spline Complete - L.H.	35	3441P	Hex Bolt 3/8 - 24 x 1
15	8515R	Tie Rod Joint (R.H. Thread)	36	640P	Hex Jam Nut 3/8 - 24 UNF
16	596P	*Hex Jam Nut 1/2 - 20 (L.H. Thread)			
17	634A819	*Tie Rod and Nuts (Inc. Key No's 16 & 18)			
18	600P	*Hex Jam Nut 1/2 - 20 (L.H. Thread)			
19	8514R	Tie Rod Joint (L.H. Thread)			
20	634A813	Steering Gear Sector and Arm			
21	1552P	Washer 49/64 x 1 - 1/4 x 16 Ga.			

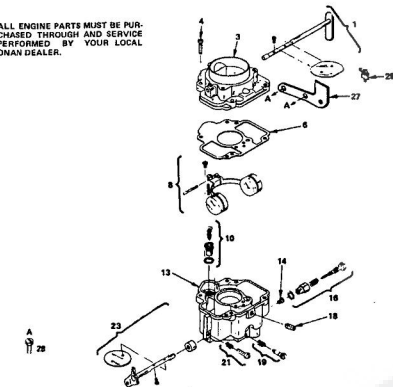
\*STANDARD HARDWARE-PURCHASE LOCALLY

### REPAIR PARTS

20T GARDEN TRACTOR-MODEL NO. T9329AR  
ONAN ENGINE-MODEL NO. N52M-GA019.9/3580B

#### CARBURETOR PARTS GROUP

ALL ENGINE PARTS MUST BE PURCHASED THROUGH AND SERVICE PERFORMED BY YOUR LOCAL ONAN DEALER.



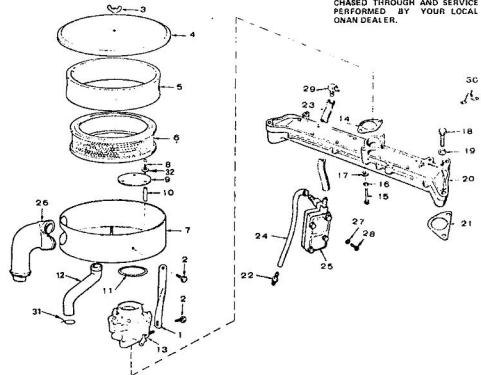
KEY NO.	PART NO.	DESCRIPTION	KEY NO.	PART NO.	DESCRIPTION
1	146-0271	Carburetor Assembly, Complete	18	146-0211	Set Screw
2	146-0290	Choke Shaft Package	19	146-0209	*Needle Package
3	146-0291	Air Intake (Not Sold Separately)	21	146-0281	Screw Package
4	146-0284	Screw	23	146-0270	Throttle Shaft Package
6	146-0203	Gasket	27	153-0515	Bracket: Choke Cable
8	146-0282	Float Assembly Package	28	821-0002	Mounting Screw
10	146-0227	*Valve and Seat Package	29	153-0514	Calisk Clip
13	146-0238	Body (Not Sold Separately)	---	146-0220	*Gasket Kit
16	146-0238	Power Jet	---	146-0228	Repair Kit (Includes Parts Marked H)
18	146-0216	*Power Needle Package	---	---	*PARTS CONTAINED IN 146-0228 REPAIR KIT.

### REPAIR PARTS

20T GARDEN TRACTOR-MODEL NO. T9329AR  
ONAN ENGINE-MODEL NO. N52M-GA019.9/3580B

#### FUEL SYSTEM GROUP

ALL ENGINE PARTS MUST BE PURCHASED THROUGH AND SERVICE PERFORMED BY YOUR LOCAL ONAN DEALER.



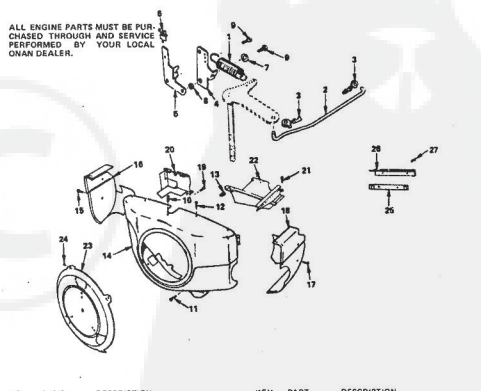
KEY NO.	PART NO.	DESCRIPTION	KEY NO.	PART NO.	DESCRIPTION
1	140-1409	Air Cleaner Support	17	526-0115	Flat Washer (11/32" I.D. x 1 1/16" O.D. x 1/16" Thick)
2	821-0009	Cap Screw, Hex Head Locking (1/4 - 20 x 3/8")	18	800-0058	Lockwasher, Spring (3/8" x 3")
3	865-0020	Wing Nut (1/4 - 20)	19	869-0050	Lockwasher, Spring (3/8")
4	140-1406	Air Cleaner Cover	20	154-0229	Insulator Manifold
5	140-1496	Wrapper	21	154-1483	Gasket
6	140-1529	Element	22	527-0295	Conductor
7	140-1498	Air Cleaner Housing	23	503-0874	Fuel Line
8	815-0470	Binder Head Machine Screw w/Nylon Patch (No. 10 - 32 x 1 - 1/2")	24	503-0910	Impulse Lever
9	140-1500	Blender	25	148-1544	Fuel Pump
10	140-1501	Blender Head	26	140-1495	Air Inlet Tube
11	509-0145	Seal, "O" Ring	27	850-0025	Lockwasher, Spring (No. 8)
12	123-1264	Breather Hose	28	812-0075	Round Head Machine Screw (No. 8 - 32 x 1 1/4")
13	146-0271	Carburetor Assembly (See Separate Group for Components)	29	502-0310	Elbow
14	154-0733	Gasket	30	463-1480	Lifting Bracket
15	800-0035	Cap Screw, Hex Head (5/16 - 18 x 2 - 1/2")	31	503-0171	Hex Clamp
16	850-0045	Lockwasher, Spring (5/16")	32	850-0070	Lockwasher (No. 10)
				148-1552	Fuel Pump Repair Kit

### REPAIR PARTS

20T GARDEN TRACTOR-MODEL NO. T9329AR  
ONAN ENGINE-MODEL NO. N52M-GA019.9/3580B

#### GOVERNOR AND AIR HOUSING GROUP

ALL ENGINE PARTS MUST BE PURCHASED THROUGH AND SERVICE PERFORMED BY YOUR LOCAL ONAN DEALER.

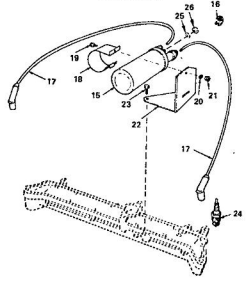
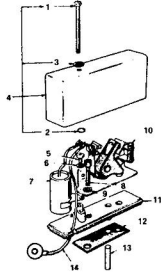


KEY NO.	PART NO.	DESCRIPTION	KEY NO.	PART NO.	DESCRIPTION
1	150-1314	Governor Spring	16	815-0261	Cap Screw, Hex Head Locking (1/4 - 20 x 7/16")
2	150-1513	Throttle Link	17	134-3440	Air Housing, Left Side
3	518-0304	Clip	18	815-0261	Cap Screw, Hex Head Locking (1/4 - 20 x 7/16")
4	150-1576	Governor Control Arm	19	815-0261	Cap Screw, Hex Head Locking (1/4 - 20 x 7/16")
5	150-1725	Governor Control Mounting Bracket	18	134-3448	Air Housing, Right Side
6	153-0514	Cable Clip	19	815-0261	Cap Screw, Hex Head Locking (1/4 - 20 x 7/16")
7	526-0214	Flat Washer (1 7/8" I.D. x 1 1/2" O.D. x 1/16" Thick)	20	134-3646	Housing Support, Left Side
8	150-1269	Bushing	21	821-0015	Cap Screw, Hex Head Locking (1/4 - 20 x 5/8")
9	821-0010	Hex Head Cap Screw, Locking (1/4 - 20 x 1/2")	22	134-3691	Housing Support, Right Side
10	815-0261	Cap Screw, Hex Head Locking (1/4 - 20 x 7/16")	23	134-3589	Housing, Screen
11	821-0010	Cap Screw, Hex Head Locking (1/4 - 20 x 1/2")	24	815-0235	Cap Screw, Hex Head w/E-T (No. 14 x 1 1/2")
12	815-0474	Cap Screw, Tapping Hex Head (1/4 - 1/2")	25	134-3510	Support Mounting Bracket
13	870-0107	Nut, Spring (No. 14)	26	134-3511	Housing Support, Lower
14	134-3747	Air Housing	27	821-0009	Cap Screw, Hex Head Locking (1/4 - 20 x 3/8")

### REPAIR PARTS

20T GARDEN TRACTOR-MODEL NO. T9329AR  
ONAN ENGINE-MODEL NO. N52M-GA019.9/3580B

#### IGNITION AND BREAKER BOX GROUP



ALL ENGINE PARTS MUST BE PURCHASED THROUGH AND SERVICE PERFORMED BY YOUR LOCAL ONAN DEALER.

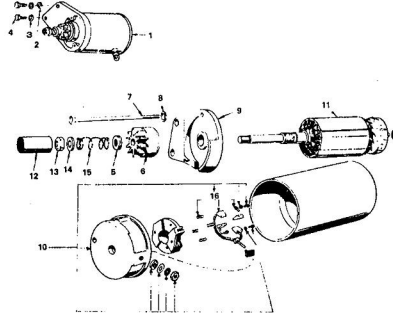
KEY NO.	PART NO.	DESCRIPTION
1	160-1210	Breaker Box (Inc. Parts Marked *)
1	812-0108	"Rivet" Head Machine Screw (No. 10 - 24 x 1 - 1/2")
2	509-0065	"Retainer"
3	526-0008	"Flat Washer (1/324" I.D. x 7/16" O.D. x 1/32" Thick)
4	160-1222	"Cover"
5	815-6268	"Cap Screw, Slotted (No. 8 - 32 x 5/16")
6	850-0025	"Lockwasher - Spring (No. 8)
7	312-0186	"Condenser"
8	802-0034	"Cap Screw Socket Head (1/4 - 20 x 3/4")
9	850-0038	"Lockwasher, Spring (1/4")
10	160-1183	"Point Set"
11	160-1219	"Base"
12	160-1150	"Gasket"
13	160-1151	"Plunger"
14	336-2378	"Lead (Breaker Box to Coil)"

KEY NO.	PART NO.	DESCRIPTION
15	166-0035	"Coil"
16	166-0004	"Cap Part of Ignition Co."
17	SPARK PLUG CABLE	"SPARK PLUG CABLE"
18	167-1596	"16"
19	162-0288	"16"
20	890-0040	"Cap Screw, Hex Head Locking (1/4 - 20 x 1/2")
21	862-0001	"Lockwasher, Spring (1/4")
22	168-0680	"Hex Nut (1/4 - 20)"
23	815-0281	"Cap Screw (1/4 - 20 x 9/16)"
24	167-0291	"Spark Plug"
25	850-0065	"Washer - Primary Terminal"
26	166-0254	"Ignition Coil Nut (Primary Terminal)"
26	160-1213	"Turn-up Kit (Inc. Points and Condenser)"
*PARTS INCLUDED IN 160-1210 BREAKER BOX		

### REPAIR PARTS

20T GARDEN TRACTOR-MODEL NO. T9329AR  
ONAN ENGINE-MODEL NO. N52M-GA019.9/3580B

#### STARTER PARTS GROUP



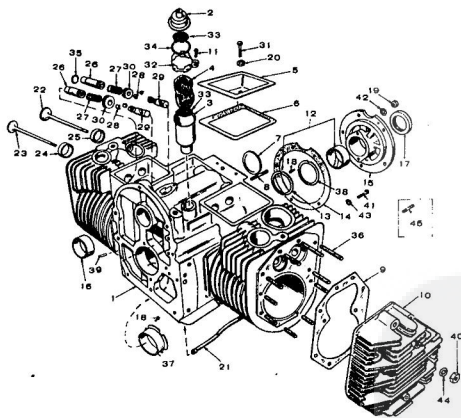
ALL ENGINE PARTS MUST BE PURCHASED THROUGH AND SERVICE PERFORMED BY YOUR LOCAL ONAN DEALER.

KEY NO.	PART NO.	DESCRIPTION
1	191-1205	Starter (Complete)
2	526-0113	"Flat Washer (1/122" I.D. x 1" O.D. x 3/32" Thick)"
3	850-0045	"Lockwasher, Spring (5/16")"
4	800-0028	"Cap Screw, Hex Head"
5	191-1047	"Spacer"
6	191-1157	"Drive Assembly"
7	191-1157	"Cap Screw, Hex Head"
8	050-0040	"Lockwasher, Spring (1/4")"
9	191-1223	"Cap Assembly"
10	191-1158	"Armature"
11	191-1154	"Dust Cover"
12	191-1046	"Flat Washer"
14	191-1046	"Flat Washer"
15	191-1036	"Spring"
16	191-1222	"Brush, Spring and Stud Kit"

### REPAIR PARTS

20T GARDEN TRACTOR-MODEL NO. T9329AR  
ONAN ENGINE-MODEL NO. N52M-GA019.9/3580B

#### CYLINDER BLOCK GROUP



ALL ENGINE PARTS MUST BE PURCHASED THROUGH AND SERVICE PERFORMED BY YOUR LOCAL ONAN DEALER.

### REPAIR PARTS

20T GARDEN TRACTOR-MODEL NO. T9329AR  
ONAN ENGINE-MODEL NO. N52M-GA019.9/3580B

#### CYLINDER BLOCK GROUP

KEY NO.	PART NO.	DESCRIPTION	KEY NO.	PART NO.	DESCRIPTION	
1	110-2666	Cylinder Block Assembly (Inc. Parts Marked *)	29	VALVE TAPPET	Standard	
2	123-0964	"Breather Cap and Valve"	30	110-0094	"Valve Retainer"	
3	123-0952	"Breather Tube"	31	800-0011	"Hex Head Cap Screw (1/4 - 20 x 2")"	
4	123-0965	"Baffle"	32	123-0851	"Breather Cap Clamp"	
5	110-1624	"Valve Compartment Cover"	33	123-0958	"Breather Screen"	
6	110-1720	"Valve Cover Gasket"	34	509-0017	"Breather Tube Seal"	
7	317-0068	"Expansion Plug"	35	110-0068	"Breaker Valve Guide Gasket"	
8	520-0738	"Stud"	36	CYLINDER HEAD STUD	520-0717	
9	110-1731	"Head Gasket"	37	CIRKASHAFT BEARING, FRONT	Standard	
10	110-2975	Cylinder Head	38	194-0778	"Crankshaft Shim"	
11	809-0205	"Round Head Self Tapping Screw (No. 8 x 3/4)"	39	516-0141	"Alignment Pin"	
12	CIRKASHAFT BEARING, REAR	101-0450	Standard	40	194-0091	"Hex Nut (3/8 - 24)"
13	104-5675	"Thrust Washer"	41	800-0046	"Hex Head Cap Screw (3/8 - 16 x 1/2)"	
14	101-0415	"Bearing Plate Gasket"	42	526-0251	"Flat Washer (406" I.D. x .588" O.D. x .1355" Thick)"	
15	101-0439	"Bearing Plate, Rear"	43	526-0066	"Flat Washer, Copper (25.64" I.D. x 8/16" O.D. x 1/16" Thick)"	
16	101-0420	"Crankshaft Bearing"	44	526-0250	"Flat Washer, Steel (.407" I.D. x 1" O.D. x 1/8" Thick)"	
17	809-0041	"Crankshaft Oil Seal"	45	520-0820	"Stud (Wet Hole)"	
18	516-0072	"Bearing Stop Pin"	*PARTS INCLUDED IN CYLINDER BLOCK ASSEMBLY.			
19	194-0091	"Hex Nut (3/8 - 24)"	SERVICE KITS AND MISCELLANEOUS			
20	526-0063	"Flat Washer, Copper (17/64" I.D. x 7/16" O.D. x 1/32" Thick)"	PART DESCRIPTION			
21	120-3680	"Oil Tube"	PART NO.	DESCRIPTION		
22	110-1514	"Intake Valve"	98-2629	Decal Kit		
23	110-1719	"Exhaust Valve"	168-0142	Engine Gasket Kit		
24	VALVE SEAT INSERT, EXHAUST	110-1718	Standard	168-0121	Carbon Removal Kit	
		110-1718-010	.010" Oversize	100-1213	Ignition Turn-up Kit	
		110-1718-020	.020" Oversize	522-0000	Engine Overhaul Kit	
		110-1718-030	.030" Oversize			
25	VALVE SEAT INSERT, INTAKE	110-1503	Standard			
		110-1503-010	.010" Oversize			
		110-1503-020	.020" Oversize			
		110-1503-030	.030" Oversize			
26	110-1529	"Valve Guide"				
27	110-0528	"Valve Spring"				
28	110-0639	"Valve Spring Lock"				

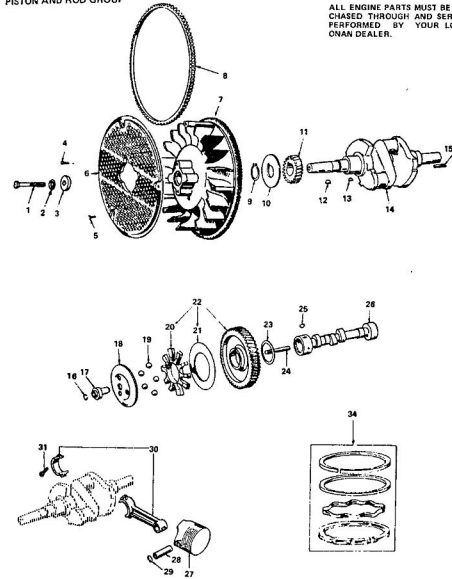


### REPAIR PARTS

20T GARDEN TRACTOR-MODEL NO. T9329AR  
ONAN ENGINE-MODEL NO. N52M-GA019.9/3580B

CRANKSHAFT, FLYWHEEL, CAMSHAFT,  
PISTON AND ROD GROUP

ALL ENGINE PARTS MUST BE PURCHASED THROUGH AND SERVICE PERFORMED BY YOUR LOCAL ONAN DEALER.



### REPAIR PARTS

20T GARDEN TRACTOR-MODEL NO. T9329AR  
ONAN ENGINE-MODEL NO. N52M-GA019.9/3580B

CRANKSHAFT, FLYWHEEL, CAMSHAFT,  
PISTON AND ROD GROUP

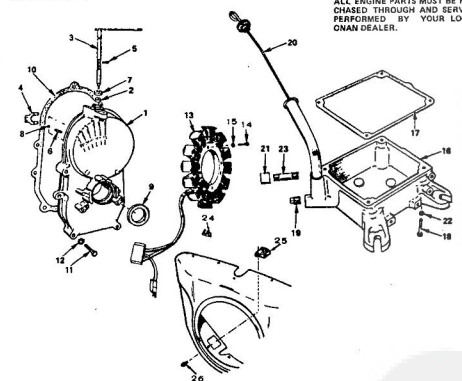
KEY NO.	PART NO.	DESCRIPTION
1	104-0170	Cap Screw (Special)
2	850-0055	Lockwasher, Spring (7/16")
3	526-0267	Flat Washer (15/16" I.D. x 1 - 1/2" O.D. x .31" Thick)
4	821-0014	Cap Screw, Hex Head Locking (5/16 - 18 x 1/2")
5	815-0400	Screw, Truss Hd. Mach. w/Ext. Lw. (1/4 - 20 x 1 1/2")
6	134-3212	Flywheel, Guard
7	134-2740	Flywheel (Inc. Ring Gear and Magnet)
8	104-0178	Ring Gear
9	518-0014	Retaining Ring
10	104-0043	Retaining Washer
11	104-0032	Gear
12	515-0237	Flywheel Key
13	515-0001	Gear Key
14	104-1048	Crankshaft
15	515-0103	Key
16	160-0078	Retaining Ring
17	160-1519	Hub
18	160-1520	Cup
19	510-0015	Flyball
20	160-1257	Spacer
21	160-0071	Plate
22	106-0332	Gear Assembly (Inc. Plate and Spacer)
23	105-0054	Thrust Washer
24	160-0075	Center Pin
25	515-0001	Key
26	105-0282	Camshaft (Includes Center Pin)
27	PISTON AND RING SET	(Includes Retaining Ring)
	112-0198	Standard
	112-0198-05	.005" Oversize
	112-0198-10	.010" Oversize
	112-0198-20	.020" Oversize
	112-0198-30	.030" Oversize
	112-0198-40	.040" Oversize
28	112-0088	Piston Pin
29	018-0294	Retaining Ring
30	CONNECTING ROD	Standard
	114-0295	Standard
	114-0295-10	.010" Undersize
	114-0295-20	.020" Undersize
	144-0295-30	.030" Undersize
31	890-0036	Rod Cap Bolt
34	RING SET	
	113-0203	Standard
	113-0203-05	.005" Oversize
	113-0203-10	.010" Oversize
	113-0203-20	.020" Oversize
	113-0203-30	.030" Oversize
	113-0203-40	.040" Oversize

### REPAIR PARTS

20T GARDEN TRACTOR-MODEL NO. T9329AR  
ONAN ENGINE-MODEL NO. N52M-GA019.9/3580B

OIL BASE AND GEARCASE GROUP

ALL ENGINE PARTS MUST BE PURCHASED THROUGH AND SERVICE PERFORMED BY YOUR LOCAL ONAN DEALER.



KEY NO.	PART NO.	DESCRIPTION	KEY NO.	PART NO.	DESCRIPTION
1	103-0498	Gearcase Assembly (Inc. Parts Marked *)	13	191-1218	Stator
2	510-0105	*Bearing	14	813-0108	Round Head Machine Screw (No. 10 - 32 x 1 - 1/2")
3	150-1410	*Shaft and Arm	15	850-0030	Lockwasher (No. 10)
4	150-1187	*Yoke	16	102-0789	Oil Base
5	815-0046	*Pan Head Machine Screw (No. 8 - 32 x 3/8")	17	102-0894	Oil Base Gasket
6	516-0130	*Dowel Pin	18	800-0965	Hex Head Cap Screw (3/8 - 16 x 1 - 1/4")
7	509-0038	*Oil Seal	20	123-1392	Cap and Indicator
8	510-0014	*Bolt	21	506-0198	Oil Drain Cap, Plug (1 1/2")
9	509-0040	*Oil Seal	22	850-0950	Lockwasher (3/8")
10	103-0498	Gasket	23	505-0735	Oil Drain Plug, Plug (1 1/2 x 3 - 1/2")
11	CAP SCREW, HEX HEAD		24	187-0218	Support Alternator Leads
	800-0022	5/16 - 18 x 1 3/4"	25	191-1206	Regulator, Voltage (15 Amp)
	800-0034	5/16 - 18 x 2 1/4"	26	821-0010	Hex Head Cap Screw (1/4 - 20 x 1/2")
12	526-0065	Flat Washer, Copper (21.64" I.D. x 9/16" O.D. x 1/16" Thick)			

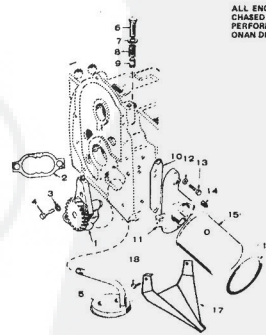
\* Parts included in 103-0498 Gearcase Assembly

### REPAIR PARTS

20T GARDEN TRACTOR-MODEL NO. T9329AR  
ONAN ENGINE-MODEL NO. N52M-GA019.9/3580B

OIL SYSTEM GROUP

ALL ENGINE PARTS MUST BE PURCHASED THROUGH AND SERVICE PERFORMED BY YOUR LOCAL ONAN DEALER.

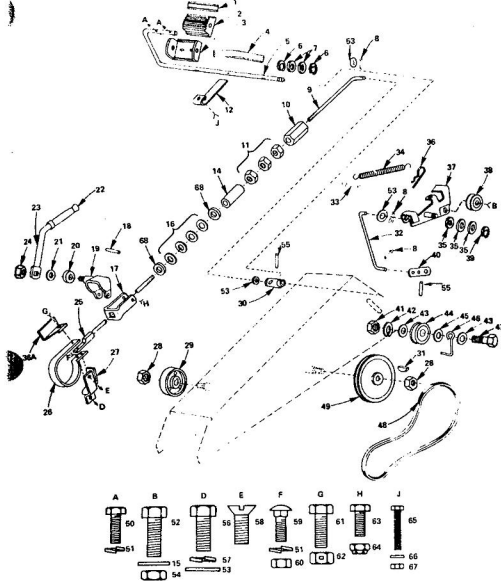


KEY NO.	PART NO.	DESCRIPTION
1	120-0491	Oil Pump
2	120-0101	Pump Gasket Kit
3	850-0040	Lockwasher, Spring (1/4")
4	801-0007	Cap Screw, Hex Head (1/4 - 20 - 1")
5	120-0713	Oil Intake Cup
6	801-0050	Cap Screw, Hex Head (3/8 - 24 x 1")
7	526-0066	Flat Washer, Copper (15/64" I.D. x 9/16" O.D. x 1/16" Thick)
8	120-0140	Spring
9	120-0398	By Pass Valve
10	122-0231	Gasket
11	122-0320	Oil Filter Adapter
12	506-0055	Flat Washer, Copper (21/64" I.D. x 9/16" O.D. x 1/16" Thick)
13	800-0028	Cap Screw, Hex Head (5/16 - 18 x 1")
14	506-0057	Plug (1/8")
15	123-0489	Oil Filter
16	123-0347	Oil Filter Air Seal
17	122-0525	Oil Drain
18	815-0194	Cap Screw Hex Head W/E (No. 10 - 32 x 3/8")



**REPAIR PARTS**

20T GARDEN TRACTOR-MODEL NUMBER T9329BR  
BRAKE AND CLUTCH



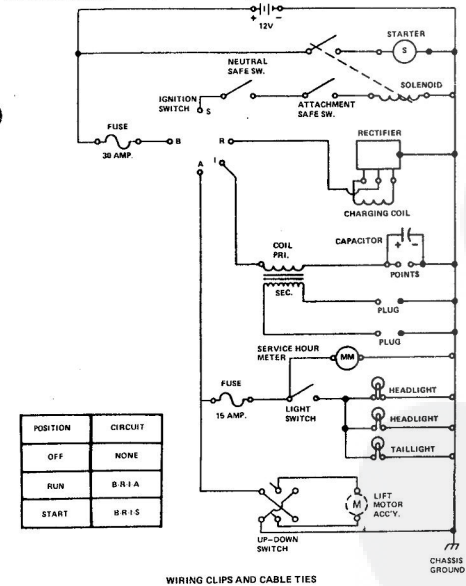
**REPAIR PARTS**

20T GARDEN TRACTOR-MODEL NUMBER T9329BR  
BRAKE AND CLUTCH

KEY NO.	PART NO.	DESCRIPTION	KEY NO.	PART NO.	DESCRIPTION
1	889R	Insert Clutch Brake	37	634A/754	Lock Washer 7/16
2	880R	Front Pedal	38	665H	Idler Bracket Mounting
3	876H	Front Pinial Bracket	39	5007P	E Ring
4	900B1	Spring	40	634A/88H	Strut Arm Assembly
5	1114	Front Pinial Shaft	41	500P	Hex Nut 7/16 14 UNC
6	5003P	E Ring	42	1001P	Lockwasher 7/16
7	1007P	Washer 21/32 x 7/8 x 16 Ga.	43	1548P	Washer 15/32 x 16 16 x 11 Ga.
8	2005P	Cotter Pin 1/8 x 3/4	44	665H	Flat Idler
9	2005H	Brake Rod - Front	45	1500P	Washer 489 LD x 1 1/8 x 11 Ga.
10	6817H	Turnbuckle	46	847B1H	Ball Finger
11	501P	Hex Nut 3/8 16 UNC	47	3200P	Hex Bolt 7/16 14 x 2 1/2
12	7803R	Safety Start Actuator	48	2602R	V Bolt
14	2001H	Housing	49	6451Z	Pinion, Transmission
15	1521P	Washer 13/32 x 13/16 x 11 Ga.	50	3003P	Hex Bolt 1/4 20 x 3/4
16	2001H	Spare Washer	51	1002P	Lockwasher 1/4
17	9886R	Parking Brake Yoke	52	3341P	Pin, Hex Bolt 3/8 24 x 1
18	1701	Roll Pin	53	1513P	Washer 13/32 x 13/16 x 16 Ga.
19	624A/887	Lock Bracket Assembly	54	544P	Hex Jam Nut 3/8 24 UNF
20	2001H	Parking Brake Spacer	55	8142H	Roll Pin
21	5006H	Spare Washer	56	3020P	Hex Bolt 3/8 16 x 7/8
22	4379H	Handle Grip	57	1004P	Lockwasher 3/8
23	624A/841	Parking Lock Handle Assembly	58	2164P	Flat Hd. Machine Screw Undercut 3/8 16 x 3/4
24	7819H	Grass Control Lock Nut 3/8 24 UNF	59	11P	50 Neck Grass Pawl 1/4 20 x 5/8
25	624A/305	Brake Rod Assembly	60	800P	Hex Nut 1/4 20 UNC
26	873A/211	Brake Band Assembly	61	3158P	Locknut 5/16 18 UNC
27	873A/210	Brake Band	62	1685H	Hex Bolt 1/4 28 x 5/8 Gr. 5
28	5024H	Lock Nut 1/2 20 UNF	64	8071H	Hex Nut 1/4 28 x 5/8 Gr. 5
29	624A/859	Brake Arm Assembly	65	3326P	Hex Hd. Mach. Screw 5/32 x 1
30	9888M1	Brake Drum	66	1507P	Washer 5/32 x 3/8 20 GA.
31	9888M	Woodruff Key	67	862P	Conerlock Nut 6 22 UNC
32	9888R	Chock Foot	68	1602P	Washer 13/32 x 5/8 x 11 Ga.
33	2514P	Cotter Pin 1/4 x 1			
34	6888H	Spare Washer			
35	1587P	Washer 1/2 x 1 - 1/16 x 21 Ga.			
36	6828M	Return Spring			
36A	5441	Mose Shield			

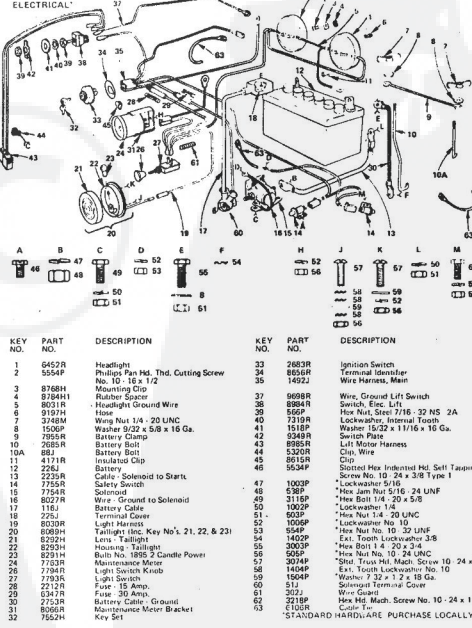
**REPAIR PARTS**

20T GARDEN TRACTOR-MODEL NUMBER T9329BR  
SCHEMATIC DIAGRAM



**REPAIR PARTS**

20T GARDEN TRACTOR-MODEL NUMBER T9329BR  
ELECTRICAL



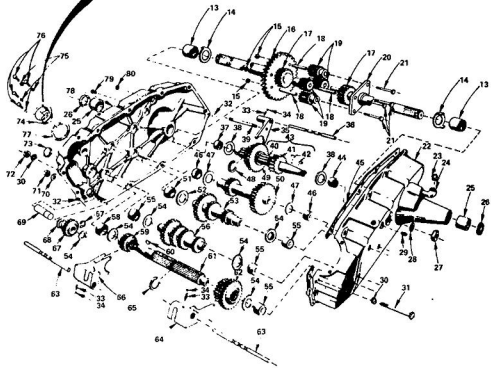
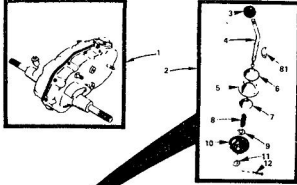
KEY NO.	PART NO.	DESCRIPTION	KEY NO.	PART NO.	DESCRIPTION
1	6452R	Headlight	33	2683R	Ignition Switch
2	5554P	Phillips Pan Hd. Thd. Cutting Screw No. 10 x 1 1/2	34	8658R	Terminal Identifier
3	8768H	Mounting Clip	37	1402P	Wire Harness, Main
4	8788H1	Rubber Spacer	38	9888R	Wire, Ground Lift Switch
5	8031R	Headlight Ground Wire	39	8984R	Switch, Elec. Lift
6	9197H	Hoop	40	560P	Hex Nut, Steel 7/16 32 NS 2A
7	3748M	Wing Nut 1/4 20 UNC	40	7191R	Lockwasher, Internal Tooth
8	1506P	Washer 9/32 x 5/8 x 16 Ga.	41	1518P	Washer 15/32 x 13/16 16 Ga.
9	7954R	Battery Clamp	42	9348R	Switch Plate
10	2685R1	Battery Bolt	43	8984R	Lift Motor Harness
10A	887	Insulated Strap	44	5320R	Clip, Wire
11	4171R	Battery	45	8915H	Clip
12	226L	Battery	46	9534P	Slotted Hex Internal Hd. Self Tapping Screw No. 10 28 x 3/8 Type 1
13	2235R	Callie - Solenoid to Start	47	1003P	Lockwasher 5/16
14	7755R	Safety Switch	48	638P	Hex Jam Nut 5/16 24 UNF
15	7754R	Solenoid	49	3116P	Hex Bolt 1/4 20 x 5/8
16	8027R	Wire - Ground to Solenoid	50	1002P	Lockwasher 1/4
17	1161	Battery Cable	51	800P	Hex Nut 1/4 20 UNC
18	225L	Terminal Cover	52	1005P	Lockwasher No. 10
19	8030R	Light Harness	53	554P	Hex Nut No. 10 32 UNF
20	8098H	Taillight (Inc. Key No's. 21, 22, & 23)	54	1402P	Hex Bolt 1/4 20 x 3/8
21	8227H	Housing - Taillight	55	260P	Hex Bolt 1/4 20 x 3/8
22	8259H	Housing - Taillight	56	5005P	Hex Nut No. 10 24 UNC
23	8259H	Housing - Taillight	57	260P	Self Locking Hd. Mach. Screw 10 24 x 3/8
24	7153R	Maintenance Meter	58	1404P	Ext. Tooth Lockwasher No. 10
25	7183R	Light Switch Knob	59	1604P	Washer 7/32 x 2 1/2 18 Ga.
26	2751R	Fuse - 15 Amp.	60	814	Solenoid Terminal Cover
27	711R	Fuse - 15 Amp.	61	322P	Wire Guard
28	2751R	Battery Cable, Ground	62	3218P	Hex Hd. Mach. Screw No. 10 24 x 1/2
29	9888R	Maintenance Meter Key Set	63	1320R	Cotter Pin
30	7552H	Key Set			

Click Here to upgrade to Unlimited Pages and Expanded Features

### REPAIR PARTS

20T GARDEN TRACTOR-MODEL NUMBER T9329BR

#### TRANSAXLE



### REPAIR PARTS

20T GARDEN TRACTOR-MODEL NUMBER T9329BR

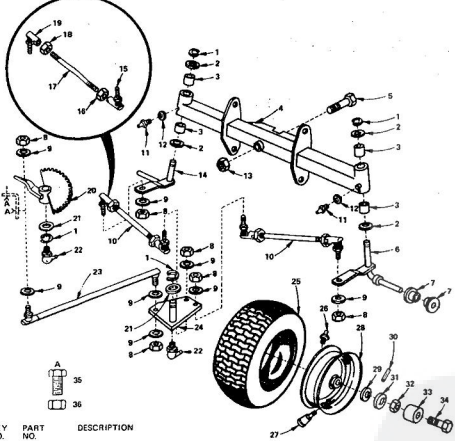
#### TRANSAXLE

KEY NO.	PART NO.	DESCRIPTION	KEY NO.	PART NO.	DESCRIPTION
1	633A97	Transaxle Assembly Left Brake Drum	44	8115M	Needle Bearing
2	633A87	Gear Shift Lever (Inc. Key No. 13 thru 80)	45	3375H	Clutch Gearcase
3	6384H	Control Knob	46	8117M	Needle Bearing
4	8635R	Gear Shift Lever	47	7395H	Thrust Bearing Race
5	633A85	Gear Shift Ball Cover and Pin	48	6270H	Snap Ring - Crescent Type
6	8013R	Gear Shift Cap	49	633A14	High Low Range Gears and Hub
7	8129H	Shift Lever Guide Bolt	50	633A33	4th Reduction Shaft and Gears
8	4924H	Spring	51	7398H	Needle Bearing
9	1525P	Washer 19/32 x 59/64 x 18 Ga.	52	7395H	Thrust Bearing Race
10	8165R	Shift Mechanism Seal	53	633A31	3rd Reduction Shaft and Gears
11	1525P	Washer 9/16 x 15/16 x 11 Ga.	54	1370H	Thrust Bearing Race
12	2025P	Cotter Pin 3/4	55	4858H	Steel Change Gears and Shafts
13	2039R	Needle Bearing	56	633A30	Needle Bearing
14	6256H	Axle Thrust Washer	57	5001P	E Ring
15	7810H	Centerlock Grease Nut 3/8 - 24 UNF	58	4584H	Needle Bearing
16	8662H	Final Drive Gear	59	6231H	Low Speed Pinion
17	633A73	Axle Shaft and Gear	60	9658H	Woodruff Key
18	6252H	Ball Bearing - Differential Pinion	61	6218H	Input Shaft
19	8657H	Differential Pinion	62	633A11	Intermediate and High Speed Pinions
20	6262H	Differential Case	63	6216H	Shift Fork - R.H.
21	3056P	Hex Bolt 3/8 - 24 x 3 - 1/4	64	4218R	Shift Fork - L.H.
22	633A89	Gear Case and Bearings - L.H.	65	4929H	Snap Ring - Crescent Type
23	4002P	Pipe Plug 1/2 - 14 N.P.T.	66	6252H	Ball Bearing
24	4603P	90 Street Elbow 1/2 - 14 N.P.T.	67	1153R	Reverse Idler Gear
25	892R1	Sintered Iron Bearing	68	7390H	Reverse Idler Thrust Washer
26	7393R	Oil Seal	69	7384H	Reverse Idler Shaft
27	8204H	Lock Nut	70	1657H	Sealing Washer
28	8271H	Oil Seal	71	541P	Hex Nut 7/16 - 20 UNF
29	8104H	Pipe Plug 1/4 - 18 N.P.T.	72	804P	Hex Nut 5/16 - 18 UNC
30	1007P	Lockwasher 5/16 Extra Heavy	73	6270H	Oil Seal
31	3069P	Hex Bolt 5/16 - 18 x 1 - 1/2 G. 5	74	75J	Gear Shift Gate
32	8277H	Down Pin	75	1003P	Lockwasher 5/16
33	6272H	Spring - Shift Fork Detent	76	2158P	Reverse Idler Thrust Washer
34	7393M	Steel Washer	77	8274H	Gasket - Shift Ball Cover
35	5202H	Shift Fork High - Low Range	78	633000	Gear Case, Reverse Idler Shaft and Bearings R.H.
36	8271H	High - Low Range Shift Fork Shaft	79	5855H	Pressure Relief Valve
37	8118M	Needle Bearing	80	6269H	Oil Seal
38	6266H	Thrust Bearing Race	81	7835M	Woodruff Key
39	6215H	High - Low Range Shift Shaft	*STANDARD HARDWARE - PURCHASE LOCALLY		
40	6221H	3rd Reduction Gear Shaft			
41	8692H	4th Reduction Pinion			
42	2239M	Woodruff Key			
43	633A32	3rd Reduction Shaft and Gear (Inc. Key No. 40, 41 & 42)			

### REPAIR PARTS

20T GARDEN TRACTOR-MODEL NUMBER T9329BR

#### FRONT AXLE

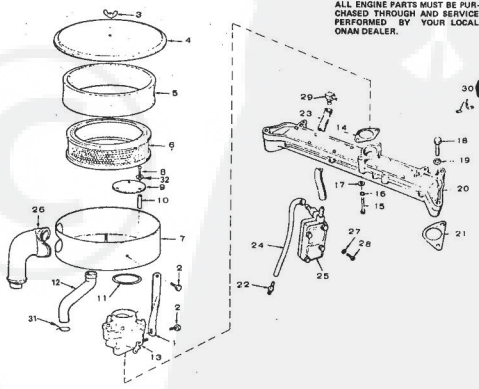


KEY NO.	PART NO.	DESCRIPTION	KEY NO.	PART NO.	DESCRIPTION
1	5000P	E-Ring	22	6842M	Grease Fitting
2	1528P	Washer 13/16 x 1 - 1/4 x 14 Ga.	23	7637H	Drive Link and Joint
3	1325H	Bearing	24	634A98	Evening Self-Clean Adjustment
4	634A51	Front Axle w/Bearing (Inc. Key No. 3)	25	3536P	Clutch Fork
5	3294P	Hex Bolt 5/8 - 11 x 6 Grade 5	26	5855H	Oil Seal
6	634A27	Spindle Complete - R.H.	27	9658H	Woodruff Key
7	9640H	Furged Bearing	28	3636R	Front Wheel and Bearings
8	78124	Grease Lock Nut 3/8 - 24 UNF	29	1525P	Washer 19/32 x 1 - 1/2 x 18 Ga.
9	20124	Clutch Washer (Inc. Key No. 4)	30	8778H	Roll Pin 5/32 x 1
10	7838R	Clutch Fork	31	8763H	New Washer
11	6854M	Grease Fitting	32	4831H	Elastic Nut 3/4 - 16 UNF
12	1525P	Washer 9/32 x 1 - 1/2 x 14 Ga.	33	8763H	Drive Coupler
13	4794H	Hublock Nut 5/8 - 11 UNC	34	3008P	Hex Bolt 5/16 - 18 x 1/2
14	634A28	Spindle Complete - L.H.	35	3241P	*Hex Bolt 3/8 - 24 x 1
15	8515R	Tie Rod Joint (R.H. Thread)	36	546P	*Hex Jam Nut 3/8 - 24 UNF
16	569P	Hex Jam Nut 1/2 - 20 (L.H. Thread)	*STANDARD HARDWARE - PURCHASE LOCALLY		
17	634A810	Hex Rod and Nut (Inc. Key No. 18 & 19)			
18	569P	Hex Jam Nut 1/2 - 20 (L.H. Thread)			
19	8514R	Tie Rod Joint (L.H. Thread)			
20	634A813	Steering Gear Sector and Arm			
21	1525P	Washer 49/64 x 1 - 1/4 x 16 Ga.			

### REPAIR PARTS

20T GARDEN TRACTOR-MODEL NUMBER T9329BR  
ONAN ENGINE-MODEL NO. N52M-GA019.9/3580B

#### FUEL SYSTEM GROUP



KEY NO.	PART NO.	DESCRIPTION	KEY NO.	PART NO.	DESCRIPTION
1	140-148R	Air Cleaner Support	17	5260115	Flux Washer (1 1/2" I.D. x 11 1/2" O.D. x 1 1/8" Thick)
2	8210009	Cap Screw, Hex Head Locking (1 1/4 - 20 x 3/8")	18	8000606	Cap Screw, Hex Head (3/8 - 16 x 3")
3	885-0020	Wing Nut (1/4 - 20)	19	8500050	Lockwasher, Spring (3/8")
4	140-148H	Air Cleaner Cover	20	154-2029	Hub, Main Shaft
5	140-1496	Washer	21	154-1931	Gasket
6	140-1225	Element	22	542-1395	Gasket
7	140-1498	Element	23	154-1934	Cap Screw, Hex Head (3/8 - 16 x 3")
8	875-0471	Hex Head Nut - 3/8 x 1 1/2	24	502-0674	Flange
9	140-1530	Dr. Injector Plate	25	502-0672	Flange
10	140-1501	Spacer	26	142-496	Adjuster
11	509-0145	Seal, "O" Ring	27	850-0025	Lockwasher, Spring (1/8")
12	121-1054	Bushings	28	812-0075	Ratchet Mount Machine Screws (Hex B - 32 x 1/4")
13	148-0271	Collector Assembly (See Separate Draw for Components)	29	502-0313	Ellipse
14	154-0733	Gasket	30	403-1490	Lifting Pad
15	800-0035	Cap Screw, Hex Head (5/16 - 18 x 2 - 1/2)	31	6331911	Hex Crown
16	850-0045	Lockwasher, Spring (5/16")	32	850-0030	Lockwasher (Hex. 10)
			33	149-1522	Fuel Pump Return Jet

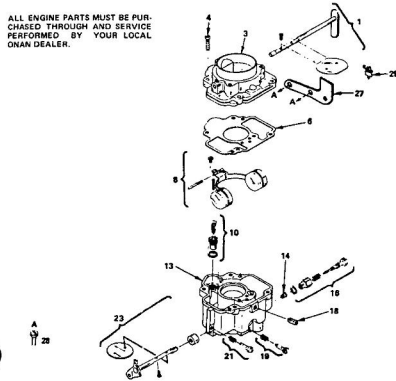
ALL ENGINE PARTS MUST BE PURCHASED THROUGH AND SERVICE PERFORMED BY YOUR LOCAL ONAN DEALER.

### REPAIR PARTS

20T GARDEN TRACTOR—MODEL NUMBER T93298R  
ONAN ENGINE—MODEL NO. N52M-GA019.9/3580B

#### CARBURETOR PARTS GROUP

ALL ENGINE PARTS MUST BE PURCHASED THROUGH AND SERVICE PERFORMED BY YOUR LOCAL ONAN DEALER.



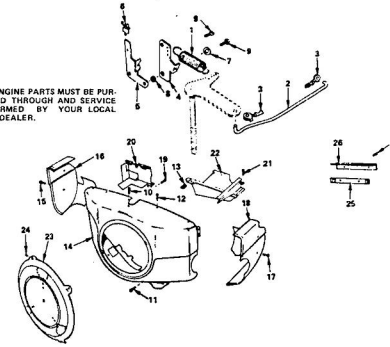
KEY NO.	PART NO.	DESCRIPTION	KEY NO.	PART NO.	DESCRIPTION
1	146-0271	Carburetor Assembly, Complete	18	146-0211	Set Screw
2	146-0290	Choke Shaft Package	19	146-0209	Needle Package
3	146-0224	Air Intake (Not Sold Separately)	21	146-0251	Screw Package
4	146-0224	Screw	22	146-0270	Bracket, Choke Cable
5	146-0293	Gasket	27	153-0515	Bracket, Choke Cable
6	146-0292	Float Assembly Package	28	821-0002	Mounting Screw
8	146-0272	Valve and Seat Package	29	153-0514	Cable Cup
10	146-0272	Body (Not Sold Separately)	28	146-0270	Gasket Kit
13	146-0238	Power Jet	---	146-0228	Repair Kit (Includes Parts Marked *)
14	146-0214	Power Needle Package	---	---	---

### REPAIR PARTS

20T GARDEN TRACTOR—MODEL NUMBER T93298R  
ONAN ENGINE—MODEL NO. N52M-GA019.9/3580B

#### GOVERNOR AND AIR HOUSING GROUP

ALL ENGINE PARTS MUST BE PURCHASED THROUGH AND SERVICE PERFORMED BY YOUR LOCAL ONAN DEALER.



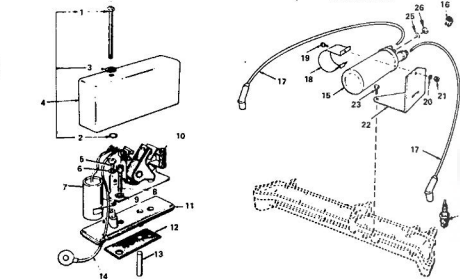
KEY NO.	PART NO.	DESCRIPTION	KEY NO.	PART NO.	DESCRIPTION
1	150-1214	Governor Spring	15	815-0261	Cap Screw, Hex Head Locking (1/4" x 20 x 7/16")
2	150-1813	Throttle Link	16	134-3448	Air Housing, Left Side
3	518-0204	Clip	17	815-0261	Cap Screw, Hex Head Locking (1/4" x 20 x 7/16")
4	150-1576	Governor Control Arm	18	134-3448	Air Housing, Right Side
5	150-1725	Governor Control Mounting Bracket	19	815-0261	Cap Screw, Hex Head Locking (1/4" x 20 x 7/16")
6	153-0514	Cable Clip	20	134-2648	Housing Support, Left Side
7	525-0214	Fuel Wafers (1/2" O.D. x 1/2" I.D. x 1/16" Thick)	21	821-0018	Cap Screw, Hex Head Locking (1/4" x 20 x 5/8")
8	150-1269	Bushing	22	134-3591	Housing Support, Right Side
9	821-0010	Hex Head Cap Screw, Locking (1/4" x 20 x 1/2")	23	134-3589	Housing, Screen
10	815-0261	Cap Screw, Hex Head Locking (1/4" x 20 x 7/16")	24	815-0278	Cap Screw, Hex Head w/ET (No. 14 x 1/2")
11	821-0010	Cap Screw, Hex Head Locking (1/4" x 20 x 1/2")	25	134-3510	Support Mounting Bracket
12	815-0474	Cap Screw, Tapping Hex Head (1/4" x 1/2")	26	134-3511	Housing Support, Lower
13	870-0107	Nut, Lock (No. 14)	27	821-0009	Cap Screw, Hex Head Locking (1/4" x 20 x 3/8")
14	134-3747	Air Housing			

### REPAIR PARTS

20T GARDEN TRACTOR—MODEL NUMBER T93298R  
ONAN ENGINE—MODEL NO. N52M-GA019.9/3580B

#### IGNITION AND BREAKER BOX GROUP

ALL ENGINE PARTS MUST BE PURCHASED THROUGH AND SERVICE PERFORMED BY YOUR LOCAL ONAN DEALER.



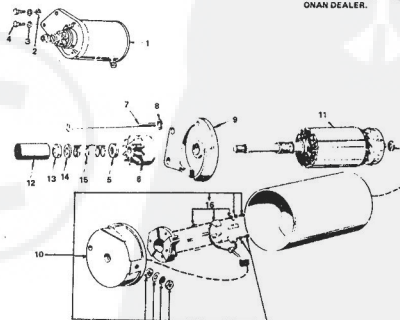
KEY NO.	PART NO.	DESCRIPTION	KEY NO.	PART NO.	DESCRIPTION
1	160-1210	Breaker Box (See Parts Marked *)	15	160-0535	Coil
1	812-0100	*Round Head Machine Screw (No. 10 - 24 x 1 - 1/2")	16	160-0604	Cap (Part of Ignition Coil)
2	500-0065	*Bracket	17	SPARK PLUG CABLE	
3	526-0008	*Flat Washer (1/3 64" I.D. x 7/16" O.D. x 1/32" Thick)	18	167-1596	16"
4	160-1232	*Cover	19	821-0010	Cap Screw, Hex Head Locking (1/4" x 20 x 1/2")
5	815-0258	*Cap Screw, Standard (No. 8 - 32 x 5/16")	20	850-0040	Lockwasher, Spring (1/4")
6	850-0025	*Lockwasher - Spring (No. 8)	21	862-0001	Hex Nut (1/4" - 20)
7	317-0108	*Condition	22	166-0900	Bracket
8	802-0034	*Cap Screw, Socket Head (1/4" x 20 x 3/4")	23	815-0261	Cap Screw (1/4" x 20 x 9/16)
9	850-0036	*Lockwasher, Spring (1/4")	24	167-0251	Spark Plug
10	160-1183	*Power Sw	25	850-2005	Washer
11	160-1219	*Blow	26	166-0564	Ignition Coil Nut
12	160-1150	*Gasket			
13	150-1151	*Plate			
14	336-2378	Load (Breaker Box to Coil)			
150-1213		Tow-up Kit (See Points and Condenser)			

### REPAIR PARTS

20T GARDEN TRACTOR—MODEL NUMBER T93298R  
ONAN ENGINE—MODEL NO. N52M-GA019.9/3580B

#### STARTER PARTS GROUP

ALL ENGINE PARTS MUST BE PURCHASED THROUGH AND SERVICE PERFORMED BY YOUR LOCAL ONAN DEALER.



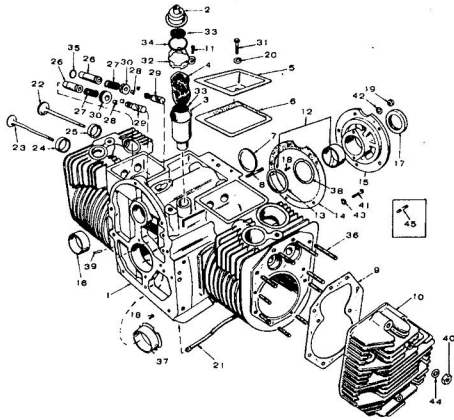
KEY NO.	PART NO.	DESCRIPTION
1	191-1205	Starter (Complete)
2	526-0112	Flat Washer (1/3 32" I.D. x 1" O.D. x 3/32" Thick)
3	850-0045	Lockwasher, Spring (5/16")
4	800-0028	Cap Screw, Hex Head
5	191-1047	Spacer
6	191-1156	Drive Assembly
7	191-1157	Cap Screw, Hex Head Lockwasher, Spring (1/4")
8	850-0040	Cap Assembly
9	191-1222	Cap Assembly
10	191-1156	Armature
11	191-1154	Dust Cover
12	191-1034	Stop Nut
13	191-1045	Fuel Washer
14	191-1046	Fuel Washer
15	191-1035	Spring
16	191-1222	Brush, Spring and Start Kit

**REPAIR PARTS**

20T GARDEN TRACTOR-MODEL NUMBER T93298R  
ONAN ENGINE-MODEL NO. N52M-GA019.9/3580B

**CYLINDER BLOCK GROUP**

ALL ENGINE PARTS MUST BE PURCHASED THROUGH AND SERVICE PERFORMED BY YOUR LOCAL ONAN DEALER.



**REPAIR PARTS**

20T GARDEN TRACTOR-MODEL NUMBER T93298R  
ONAN ENGINE-MODEL NO. N52M-GA019.9/3580B

**CYLINDER BLOCK GROUP**

KEY NO.	PART NO.	DESCRIPTION	KEY NO.	PART NO.	DESCRIPTION
1	110-2688	Cylinder Block Assembly (Inc. Parts Marked *)	29	VALVE TAPPET	115-0006 Standard
2	123-0954	Breather Cap and Valve		115-0006-005	Overseas
3	123-0952	Breather Tube	30	110-0004	Valve Rotator
4	123-0899	Valve Compartment Cover	31	800-0011	Hex Head Cap Screw (1.4" Dia x 1")
5	110-1220	Valve Cover Gasket	32	123-0951	Breather Cap Clamp
6	517-0048	Expansion Plug	33	123-0958	Breather Screws
7	520-0736	Stud	34	509-0017	Breather Tube Seal
8	110-1731	Head Gasket	35	110-0088	Intake Valve Guide Gasket
9	119-2575	Cylinder Head	36	CYLINDER HEAD STUD	520-0717 "3/8 x 1 1/8"
10	809-0025	Round Head Self Tapping Screw (No. 8 x 3/4")		520-0773	"3/8 x 2 5/16"
11	809-0025	Round Head Self Tapping Screw (No. 8 x 3/4")	37	CRANKSHAFT BEARING, FRONT	101-0432 Standard
12	CRANKSHAFT BEARING, REAR			101-0432-02	Overseas
	101-0450	Standard		101-0432-02	Overseas
	101-0450-02	Overseas		101-0432-10	Overseas
	101-0450-10	Overseas		101-0432-20	Overseas
	101-0450-20	Overseas		101-0432-30	Overseas
	101-0450-30	Overseas		104-0776	Crankshaft Shim
13	104-0975	Thrust Washer	38	518-0141	Alignment Pin
14	101-0418	Bearing Plate Gasket	39	106-0051	Hex Nut (5/8" Dia)
15	101-0439	Bearing Plate, Rear	40	800-0046	Hex Head Cap Screw (3/8" Dia x 1 1/2")
16	101-0405	Camshaft Bearing	41	526-0251	Flat Washer, Copper (25/64" I.D. x 9/16" O.D. x 1/16" Thick)
17	509-0041	Crankshaft Oil Seal	42	526-0068	Flat Washer, Copper (25/64" I.D. x 9/16" O.D. x 1/16" Thick)
18	516-0072	Bearing Stop Pin	43	526-0750	Flat Washer, Special (467 I.D. x 1/8" Thick)
19	104-0291	Hex Nut (5/8" Dia)	44	526-0820	Stud (Hex Head)
20	626-0063	Flat Washer, Copper (17/64" I.D. x 7/16" O.D. x 1/32" Thick)	45	520-0820	Stud (Hex Head)
21	120-0680	Oil Tube			
22	110-0974	Intake Valve			
23	110-1718	Exhaust Valve			
24	VALVE SEAT INSERT, EXHAUST				
	110-1718	Standard			
	110-1718-02	Overseas			
	110-1718-05	Overseas			
	110-1718-10	Overseas			
	110-1718-25	Overseas			
25	VALVE SEAT INSERT, INTAKE				
	110-1923	Standard			
	110-1933-02	Overseas			
	110-1933-05	Overseas			
	110-1933-10	Overseas			
	110-1933-25	Overseas			
	110-1938	Valve Guide			
26	110-0529	Valve Spring			
27	110-0539	Valve Spring Lock			

\*PARTS INCLUDED IN CYLINDER BLOCK ASSEMBLY.

**SERVICE KITS AND MISCELLANEOUS**

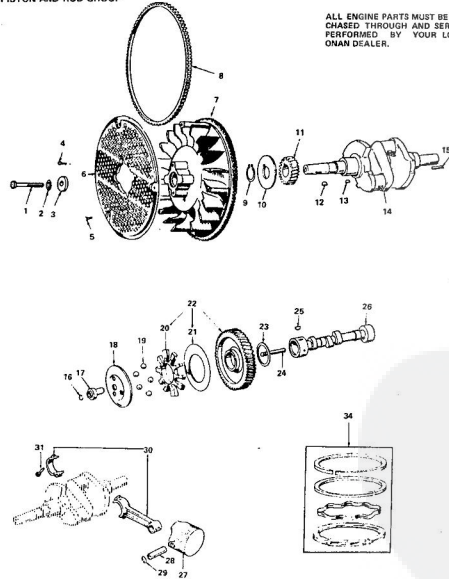
PART NO.	DESCRIPTION
98-3229	Decal Kit
198-0142	Engne Gasket Kit
198-0121	Carburettor Removal Kit
180-1213	Ignition Tuneup Kit
522-0300	Engne Overhaul Kit

**REPAIR PARTS**

20T GARDEN TRACTOR-MODEL NUMBER T93298R  
ONAN ENGINE-MODEL NO. N52M-GA019.9/3580B

**CRANKSHAFT, FLYWHEEL, CAMSHAFT, PISTON AND ROD GROUP**

ALL ENGINE PARTS MUST BE PURCHASED THROUGH AND SERVICE PERFORMED BY YOUR LOCAL ONAN DEALER.



**REPAIR PARTS**

20T GARDEN TRACTOR-MODEL NUMBER T93298R  
ONAN ENGINE-MODEL NO. N52M-GA019.9/3580B

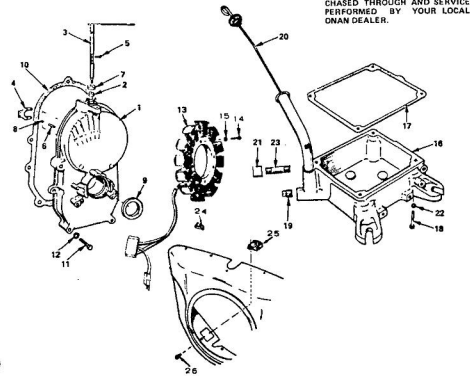
**CRANKSHAFT, FLYWHEEL, CAMSHAFT, PISTON AND ROD GROUP**

KEY NO.	PART NO.	DESCRIPTION
1	104-3110	Cap Screw (Special)
2	890-0055	Lockwasher, Spring (7/16")
3	526-0262	Flat Washer (15/16" I.D. x 1 - 1/2" O.D. x .31" Thick)
4	821-0014	Cap Screw, Hex Head Locking (5/16" Dia x 1 1/2")
5	815-0400	Screw, Truss Hd, Mach, w/Ext. Lw. (1/4" Dia x 1 1/2")
6	134-3212	Flywheel, Guard
7	134-2740	Flywheel (Inc. Ring Gear and Magnet)
8	104-0778	Retaining Ring
9	518-0014	Retaining Ring
10	104-0403	Retaining Washer
11	104-0232	Gear
12	515-0227	Flywheel Key
13	515-0001	Gear Key
14	194-1648	Crankshaft
15	515-0103	Key
16	190-0078	Retaining Ring
17	150-1519	Hub
18	150-1520	Cup
19	510-0115	Flyball
20	150-1257	Spacer
21	150-0077	Plate
22	106-0332	Gear Assembly (Inc. Plate and Spacer)
23	105-0504	Thrust Washer
24	150-0075	Center Pin
25	515-0001	Key
26	105-0382	Camshaft (Includes Center Pin)
27	CRANKSHAFT PIN (Includes Retaining Rings)	
	112-0158	Standard
	112-0158-05	Overseas
	112-0158-10	Overseas
	112-0158-20	Overseas
	112-0158-30	Overseas
	112-0158-40	Overseas
28	112-0659	Piston Pin
29	518-0294	Retaining Ring
30	CONNECTING ROD	
	114-0295	Standard
	114-0295-10	Overseas
	114-0295-20	Overseas
	144-0295-30	Overseas
31	890-0026	Rod Cap Bolt
34	RING SET	
	113-0203	Standard
	113-0203-05	Overseas
	113-0203-10	Overseas
	113-0203-20	Overseas
	113-0203-30	Overseas
	113-0203-40	Overseas

### REPAIR PARTS

20T GARDEN TRACTOR-MODEL NUMBER T9329BR  
ONAN ENGINE-MODEL NO. N52M-GA019/3580B

#### OIL BASE AND GEARCASE GROUP



ALL ENGINE PARTS MUST BE PURCHASED THROUGH AND SERVICE PERFORMED BY YOUR LOCAL ONAN DEALER.

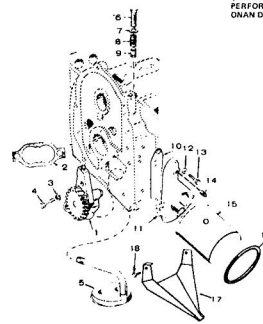
KEY NO.	PART NO.	DESCRIPTION	KEY NO.	PART NO.	DESCRIPTION
1	103-0498	Gearcase Assembly (Inc. Parts Marked *)	13	191-1216	Stator
2	510-0105	Bearing	14	813-0108	Round Head Machine Screw (No. 10 - 32 x 1-1/2")
3	150-1470	Shaft and Arm	15	850-0030	Lockwasher (No. 10)
4	150-1187	Yoke	16	102-0709	Oil Base
5	815-0046	*Nut Head Machine Screw (No. 8 - 32 x 3/8")	17	102-0693	Oil Base Gasket
6	516-0120	*Dowel Pin	18	800-0056	Hex Head Cap Screw (3/8" - 16 x 1-1/4")
7	505-0008	*Oil Seal	19	505-0058	Drain Plug
8	510-0014	*Bull	20	123-1292	Cap and Indicator
9	809-0040	*Oil Seal	21	505-0159	Oil Drain Cap Pipe (1-1/2")
10	103-0408	Gasket	22	850-0050	Lockwasher (3/8")
11	800-0032	5/16 18 x 1 3/4"	23	505-0176	Oil Drain Nipple Pipe (1/2 x 3 - 1/2")
	800-0034	5/16 18 x 2 1/4"	24	157-0218	Support Alternator Leads
	800-0065	9/16" O.D. x 1 1/8" Thick	25	191-1205	Regulator, Voltage (15 Amp)
			26	821-0010	Hex Head Cap Screw (1/4" - 20 x 1/2)

\* Parts included in 103-0498 Gearcase Assembly.

### REPAIR PARTS

20T GARDEN TRACTOR-MODEL NUMBER T9329BR  
ONAN ENGINE-MODEL NO. N52M-GA019/3580B

#### OIL SYSTEM GROUP



ALL ENGINE PARTS MUST BE PURCHASED THROUGH AND SERVICE PERFORMED BY YOUR LOCAL ONAN DEALER.

KEY NO.	PART NO.	DESCRIPTION
1	120-0491	Oil Pump
2	120-0161	Pump Gasket Kit
3	850-0040	Lockwasher, Spring (1/4")
4	800-0007	Cap Screw, Hex Head (3/8" - 20 - 1")
5	520-0715	Oil Intake Cup
6	801-0050	Cap Screw, Hex Head (3/8" - 24 x 1")
7	526-0065	Flat Washer, Copper (15/64" I.D. x 9/16" O.D. x 1/16" Thick)
8	120-0140	Spring
9	120-0398	By-Pass Valve
10	122-0221	Gasket
11	122-0320	Oil Filter Adaptor
12	526-0065	Flat Washer, Copper (21/64" I.D. x 9/16" O.D. x 1/16" Thick)
13	800-0028	Cap Screw, Hex Head (5/16" - 18 x 1")
14	505-0057	Plug (1/8")
15	122-0499	Oil Filter
16	122-0341	Oil Filter Air Seal
17	122-0352	Oil Drain
18	815-0194	Cap Screw Hex Head W ET (No. 10 - 32 x 3/8")