

# MASTER PARTS MANUAL

## GARDEN TRACTORS

### MODELS:

T1228AR  
T1228BR  
T4328AR  
T4328BR  
T6328AR  
T6328BR  
*18 cv* — T8328AR  
T8328BR  
T8338AR  
T9329AR  
T9329BR

LAWN AND GARDEN  
POWER EQUIPMENT

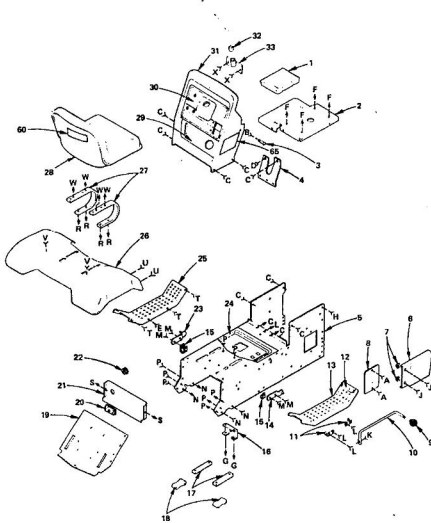
**ROPER** SALES CORP.

1905 WEST COURT STREET  
KANKAKEE, ILLINOIS 60901

PRICE \$2.00  
FEBRUARY 1, 1979

**REPAIR PARTS**

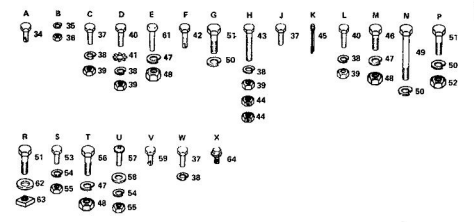
ROPER 11 H.P. GARDEN TRACTOR-MODEL NUMBER T1228BR  
CHASSIS, FENDER & DASHBOARD



**REPAIR PARTS**

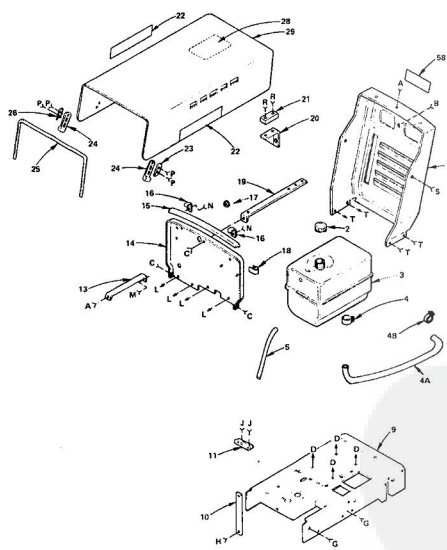
ROPER 11 H.P. GARDEN TRACTOR-MODEL NUMBER T1228BR  
CHASSIS, FENDER & DASHBOARD

| KEY NO. | PART NO. | DESCRIPTION   | KEY NO. | PART NO. | DESCRIPTION  |
|---------|----------|---|---------|----------|--|
| 1       | 8855R    | Battery Tray  | 37      | 3009P    | *Hex Bolt 5/16 - 18 UNC x 5/8                              |
| 2       | 8737R    | Tank & Battery Support                                    | 38      | 1003P    | *Lockwasher 5/16   |
| 3       | 8753R    | Hood Latch Pin  | 39      | 504P     | *Hex Nut 5/16 - 18 UNC                                     |
| 4       | 8792R    | Tank & Battery Support Brace                              | 40      | 3016P    | *Hex Bolt 5/16 - 18 UNC x 3/4                              |
| 5       | 8747R    | Chassis Channel   | 41      | 1406P    | *Fast Tooth Lockwasher 5/16                                |
| 6       | 8791R    | Engine Pulley Cover                                       | 42      | 5503P    | *Hex Head Thread Cutting Screw 5/16 - 28 UNC x 3/4 Type 23 |
| 7       | 8916R    | Nut Retainer  | 43      | 3373P    | *Hex Bolt 5/16 - 18 UNC x 1 - 1/2 Full Thd.                |
| 8       | 9800R    | Channel Access Cover                                      | 44      | 1085H    | *Locknut 5/16  |
| 9       | 8504H    | Control Knob  | 45      | 2811P    | *Cotter Pin 3/16 x 1                                       |
| 10      | 8756R    | Range Shift Rod   | 46      | 2022P    | *Hex Bolt 3/8 - 16 UNC x 7/8                               |
| 11      | 8919R    | Range Shift Rod Bracket                                   | 47      | 1005P    | *Lockwasher 3/8  |
| 12      | 8900R    | Decal - Attachment Clutch                                 | 48      | 5011P    | *Hex Bolt 7/16 - 14 UNC x 2 - 1/4                          |
| 13      | 8646R    | Foot Rest - R.H.  | 49      | 3034P    | *Lockwasher 7/16   |
| 14      | 6236-37  | Suspension Arm Bracket Weldment - R.H.                    | 50      | 1001P    | *Hex Bolt 7/16 - 14 UNC x 1                                |
| 15      | 2751R    | Clip - Fuel Line  | 51      | 500P     | *Lockwasher 1/4  |
| 16      | 8826R    | Terminal Bracket  | 52      | 500P     | *Hex Nut 1/4 - 20 UNC x 1/2                                |
| 17      | 158J     | Seat Spring Lock Plate                                    | 53      | 3144P    | *Lockwasher 1/4  |
| 18      | 9246R    | Terminal Spacer   | 54      | 1002P    | *Hex Nut 1/4 - 20 UNC                                      |
| 19      | 673A95   | Drawer Assembly   | 55      | 503P     | *Hex Bolt 3/8 - 16 UNC x 1                                 |
| 20      | 5017R    | Roller  | 56      | 3023P    | *Cross Recess Truss Head Machine Screw 1/4 - 20 UNC x 5/8  |
| 21      | 8782R    | Chassis Channel Cover                                     | 57      | 3589P    | *Washer 9/32 x 5/8 x 1/6 Ga.                               |
| 22      | 3807R    | Universal Bushing   | 58      | 5000P    | *Hex Head Thread Cutting Screw 5/16 - 18 UNC x 1/2 Type 23 |
| 23      | 673A38   | Suspension Arm Bracket Weldment - L.H.                    | 59      | 2451S    | *Decal - Roper   |
| 24      | 8888R    | Decal - Shift Pattern                                     | 60      | 3012P    | *Hex Bolt 3/8 - 16 UNC x 3/4                               |
| 25      | 8841R    | Foot Rest - L.H.  | 61      | 3021P    | *Washer 8/32 x 5/16 x 1/8 Ga.                              |
| 26      | 8503R    | Fender  | 62      | 1544P    | *Square Nut 7/16 - 14 UNC                                  |
| 27      | 8168R    | Seat Spring   | 63      | 568P     | *Hex Washer 1/4 - 20 UNC                                   |
| 28      | 2214J    | Seat  | 64      | 5906P    | *Hex Washer 1/4 - 20 UNC x 1/2 Type 23                     |
| 29      | 195J     | Decal - Lower Dashboard                                   | 65      | 242J     | *Decal - 11 H.P.   |
| 30      | 196J     | Decal - Upper Dashboard                                   | 66      | 1722J    | *Warranty - Fast 110                                       |
| 31      | 163J     | Dashboard   | ---     | ---      | *Owners Manual   |
| 32      | 9038R    | Bearing   | ---     | ---      | *STANDARD HARDWARE-PURCHASE LOCALLY                        |
| 33      | 673A56   | Steering Bracket & Bearing (Inc. Key No. 12)              |         |          |  |
| 34      | 5506P    | *Hex Head Thread Cutting Screw 1/4 - 20 UNC x 1/2 Type 23 |         |          |  |
| 35      | 1006P    | *Lockwasher No. 10  |         |          |  |
| 36      | 500P     | *Hex Nut No. 10 - 24 UNC                                  |         |          |  |



**REPAIR PARTS**

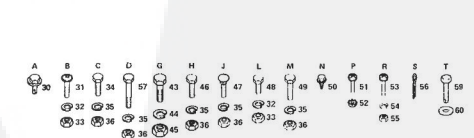
ROPER 11 H.P. GARDEN TRACTOR-MODEL NUMBER T1228BR  
ENGINE MOUNT, HOOD & GRILL



**REPAIR PARTS**

ROPER 11 H.P. GARDEN TRACTOR-MODEL NUMBER T1228BR  
ENGINE MOUNT, HOOD & GRILL

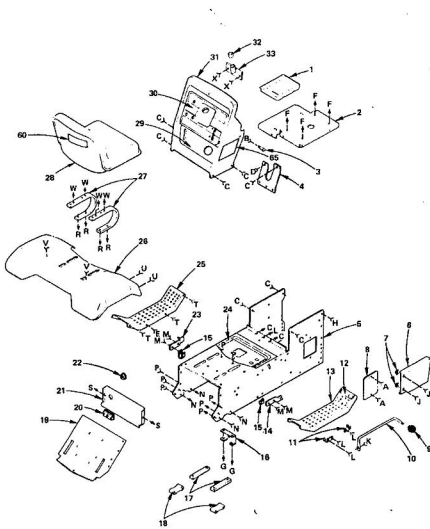
| KEY NO. | PART NO. | DESCRIPTION   | KEY NO. | PART NO. | DESCRIPTION  |
|---------|----------|---|---------|----------|--|
| 1       | 1647J    | Grill   | 32      | 1002P    | *Lockwasher 1/4  |
| 2       | 7971R    | Fuel Tank Cap   | 33      | 503P     | *Hex Nut 1/4 - 20 UNC                                      |
| 3       | 36J      | Fuel Tank   | 34      | 3009P    | *Hex Bolt 5/16 - 18 UNC x 5/8                              |
| 4       | 9872R    | Hose Clamp  | 35      | 1003P    | *Lockwasher 5/16   |
| 4A      | 8644R    | Fuel Line   | 36      | 504P     | *Hex Bolt 5/16 - 18 UNC                                    |
| 4B      | 6526R    | Fuel Line Clamp   | 43      | 3034P    | *Hex Bolt 7/16 - 14 UNC x 1                                |
| 5       | 8906R    | Fuel Line - Over Flow   | 44      | 1001P    | *Lockwasher 7/16   |
| 6       | 673A200  | Engine Base Weldment  | 45      | 500P     | *Hex Nut 7/16 - 14 UNC                                     |
| 10      | 8818R    | Engine Base Brace   | 46      | 3016P    | *Hex Bolt 5/16 - 18 UNC x 3/4                              |
| 11      | 1555J    | Safety Switch Bracket   | 47      | 16P      | *5/16 Neck Carriage Bolt 5/16 - 18 UNC x 3/4               |
| 13      | 8780R    | Dashboard Brace   | 48      | 3144P    | *Hex Bolt 1/4 - 20 UNC x 1/2                               |
| 14      | 8784R    | Heat Shield   | 49      | 3011P    | *Hex Bolt 5/16 - 18 UNC x 1                                |
| 15      | 8925R    | Scaling Strip   | 50      | 5004P    | *Hex Washer Head Sheet Metal Screw No. 10 x 3/8 (new AB)   |
| 16      | 8924R    | Sealing Strip Clamp   | 51      | 3320P    | *Cross Recess Pan Head Machine Screw No. 10 - 24 UNC x 1/2 |
| 17      | 9151R    | Seal Bushing  | 52      | 561P     | *Keps Nut No. 10 - 24 UNC                                  |
| 18      | 4171R    | Insulated Clip  | 53      | 3083P    | *Cross Recess Pan Head Machine Screw No. 10 - 24 UNC x 3/4 |
| 19      | 8761R    | Grill Bracket   | 54      | 1006P    | *Lockwasher No. 10   |
| 20      | 8933R    | Grill Bumper  | 55      | 505P     | *Hex Nut No. 10 - 24 UNC                                   |
| 21      | 9042R    | Roller  | 56      | 2603P    | *Cotter Pin 3/32 x 3/4                                     |
| 22      | 242J     | Decal - Roper   | 57      | 3014P    | *Hex Bolt 5/16 - 18 UNC x 1 - 3/4                          |
| 23      | 8937R    | Hood Latch Cover - R.H.   | 58      | 293J     | *Decal - Roper Logo  |
| 24      | 8889R    | Hood Latch  | 59      | 503P     | *Hex Head Thread Cutting Screw 5/16 - 18 UNC x 3/4         |
| 26      | 8937R    | Hood Strip  | 60      | 1537P    | *Cross Recess Truss Head Machine Screw 1/4 - 20 UNC x 3/4  |
| 26      | 9015R    | Hood Latch Cover - L.H.   |         |          |  |
| 28      | 8028R    | Decal - Maintenance   |         |          |  |
| 29      | 673A29P  | Hex Washer Head Thread Cutting Screw 5/16 - 18 UNC x 1/2 Type 23  |         |          |  |
| 30      | 5000P    | *Hex Washer Head Thread Cutting Screw 5/16 - 18 UNC x 1/2 Type 23 |         |          |  |
| 31      | 3268P    | *Cross Recess Truss Head Machine Screw 1/4 - 20 UNC x 3/4         |         |          |  |





**REPAIR PARTS**

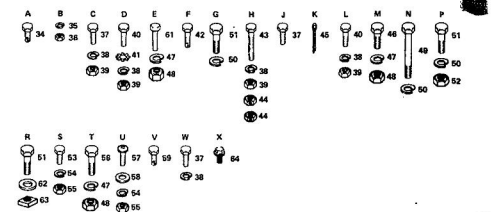
ROPER 11 H.P. GARDEN TRACTOR-MODEL NUMBER T1228AR  
CHASSIS, FENDER & DASHBOARD



**REPAIR PARTS**

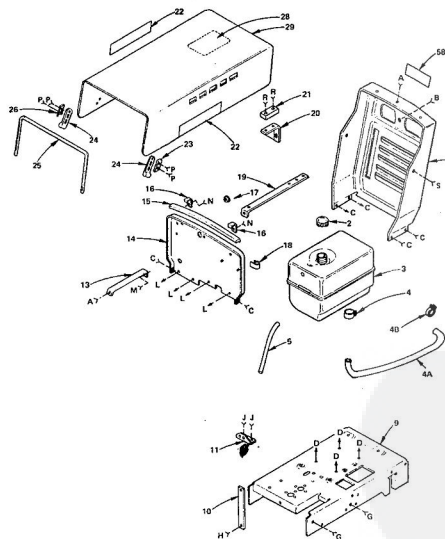
ROPER 11 H.P. GARDEN TRACTOR-MODEL NUMBER T1228AR  
CHASSIS, FENDER & DASHBOARD

| KEY NO. | PART NO. | DESCRIPTION  | KEY NO. | PART NO. | DESCRIPTION   |
|---------|----------|--|---------|----------|---|
| 1       | 8955R    | Battery Tray   | 37      | 3003P    | *Hex Bolt 5/16 - 18 UNC x 5/8                                 |
| 2       | 8797R    | Tank & Battery Support                               | 38      | 1003P    | *Lockwasher 5/16  |
| 3       | 8753R    | Hood Latch Pin                                       | 39      | 504P     | *Hex Nut 5/16 - 18 UNC  |
| 4       | 8792R    | Tank & Battery Support Brace                         | 40      | 3010P    | *Hex Bolt 5/16 - 18 UNC x 3/4                                 |
| 5       | 8807R    | Chassis Channel                                      | 41      | 1408P    | *Ext. Tooth Lockwasher 5/16                                   |
| 6       | 8791R    | Engine Pulley Cover                                  | 42      | 5003P    | *Hex Head Thread Cutting Screw 5/16 - 18 UNC x 3/4 Type 23    |
| 7       | 8915R    | Nut Retainer   | 43      | 3233P    | *Hex Bolt 5/16 - 18 UNC x 1 - 1/2 Full Thd.                   |
| 8       | 8800R    | Chassis Access Cover                                 | 44      | 1858H    | Locknut 5/16  |
| 9       | 8384H    | Control Knob   | 45      | 2511P    | *Cotter Pin 3/16 x 1  |
| 10      | 8756R    | Range Shift Rod                                      | 46      | 3022P    | *Hex Bolt 3/8 - 16 UNC x 7/8                                  |
| 11      | 8816R    | Range Shift Rod Bracket                              | 47      | 1004P    | *Lockwasher 3/8   |
| 12      | 8900R    | Decal - Attachment Clutch                            | 48      | 501P     | *Hex Nut 3/8 - 16 UNC   |
| 13      | 8840R    | Foot Rest - R.H.                                     | 49      | 3155P    | *Hex Bolt 7/16 - 14 UNC x 2 - 1/4                             |
| 14      | 873437   | Suspension Arm Bracket Weldment - R.H.               | 50      | 1001P    | *Lockwasher 7/16  |
| 15      | 2761R    | Clip - Fuel Line                                     | 51      | 3034P    | *Hex Bolt 7/16 - 14 UNC x 1                                   |
| 16      | 8825R    | Transaxle Bracket                                    | 52      | 500P     | *Hex Nut 7/16 - 14 UNC  |
| 17      | 1521     | Seat Spring Lock Plate                               | 53      | 3114P    | *Hex Bolt 1/4 - 20 UNC x 1/2                                  |
| 18      | 9248R    | Transaxle Spacer                                     | 54      | 1003P    | *Lockwasher 1/4   |
| 19      | 873435   | Drawer Assembly                                      | 55      | 503P     | *Hex Nut 1/4 - 20 UNC   |
| 20      | 5012R    | Reflector  | 56      | 3023P    | *Hex Bolt 3/8 - 16 UNC x 1                                    |
| 21      | 8782R    | Chassis Channel Cover                                | 57      | 3368P    | *Cross Recess Trust Head Machine Screw 1/4 - 20 UNC x 5/8     |
| 22      | 3807R    | Universal Bushing                                    | 58      | 1505P    | *Washer 8/32 x 5/8 x 1/6 Ga.                                  |
| 23      | 873438   | Suspension Arm Bracket Weldment - L.H.               | 59      | 5600P    | *Hex Head Thread Cutting Screw 5/16 - 18 UNC x 1/2 Type 23    |
| 24      | 8888R    | Decal - Shift Pattern                                | 60      | 2457     | Decal - Roper   |
| 25      | 8841R    | Foot Rest - L.H.                                     | 61      | 3021P    | *Hex Bolt 3/8 - 16 UNC x 3/4                                  |
| 26      | 8909P    | Fender   | 62      | 1893P    | *Washer 15/32 x 5/8 x 1/6 Ga.                                 |
| 27      | 8788R    | Seat Spring  | 63      | 898P     | Square Nut 7/16 - 14 UNC                                      |
| 28      | 4732     | Seat   | 64      | 5606P    | *Hex Washer Hd. Thd. Cutting Screw 1/4 - 20 UNC x 1/2 Type 23 |
| 29      | 198U     | Decal - Lower Dashboard                              | 65      | 2437     | Decal - 11 H.P.   |
| 30      | 198U     | Decal - Upper Dashboard                              | 66      | 2437     | Warranty - Fast Tag   |
| 31      | 632      | Dashboard  | 67      | 2541     | Owners Manual   |
| 32      | 9038R    | Bearing  | —       | —        | *STANDARD HARDWARE-PURCHASE LOCALY                            |
| 33      | 872467   | Shearing Bracket & Bearing (Inc. Key No. 32)         |         |          |   |
| 34      | 5596P    | Head Thread Cutting Screw 1/4 - 20 UNC x 1/2 Type 23 |         |          |   |
| 35      | 1006P    | *Lockwasher 1/4                                      |         |          |   |
| 36      | 508P     | *Hex Nut No. 10 - 24 UNC                             |         |          |   |



**REPAIR PARTS**

ROPER 11 H.P. GARDEN TRACTOR-MODEL NUMBER T1228AR  
ENGINE MOUNT, HOOD & GRILL



**REPAIR PARTS**

ROPER 11 H.P. GARDEN TRACTOR-MODEL NUMBER T1228AR  
ENGINE MOUNT, HOOD & GRILL

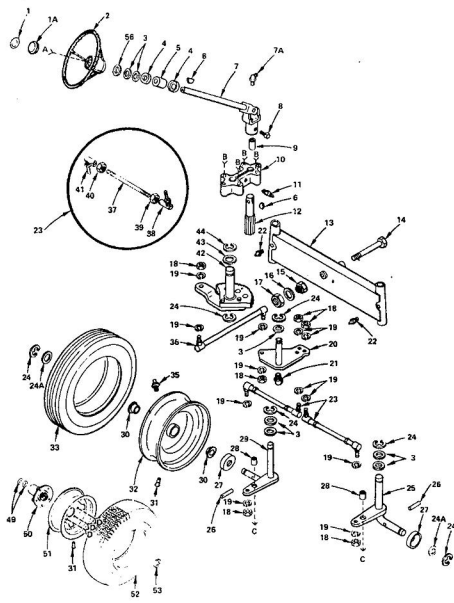
| KEY NO. | PART NO. | DESCRIPTION   | KEY NO. | PART NO. | DESCRIPTION  |
|---------|----------|---|---------|----------|--|
| 1       | 8955R    | Gull  | 32      | 1002P    | *Lockwasher 1/4  |
| 2       | 7917R    | Fuel Tank Cap   | 33      | 503P     | *Hex Nut 1/4 - 20 UNC                                      |
| 3       | 36J      | Fuel Tank   | 34      | 3009P    | *Hex Bolt 5/16 - 18 UNC x 5/8                              |
| 4       | 8837R    | Fuel Clamp  | 35      | 1003P    | *Lockwasher 5/16   |
| 4A      | 8544R    | Fuel Line   | 36      | 504P     | *Hex Nut 5/16 - 18 UNC                                     |
| 4B      | 9095P    | Fuel Line Clamp   | 43      | 3034P    | *Hex Bolt 7/16 - 14 UNC x 1                                |
| 5       | 9095P    | Fuel Line - Overflow  | 44      | 1001P    | *Lockwasher 7/16   |
| 6       | 873437   | Engine Base Weldment  | 45      | 500P     | *Hex Nut 7/16 - 14 UNC                                     |
| 10      | 8818R    | Engine Base Brace   | 46      | 3010P    | *Hex Bolt 5/16 - 18 UNC x 3/4                              |
| 11      | 9280R    | Safety Switch Bracket   | 47      | 16P      | *Sq. Neck Carriage Bolt 5/16 - 18 UNC x 3/4                |
| 12      | 8780R    | Dashboard Brace   | 48      | 3114P    | *Hex Bolt 1/4 - 20 UNC x 1/2                               |
| 14      | 8784R    | Heat Shield   | 49      | 3011P    | *Hex Bolt 5/16 - 18 UNC x 1                                |
| 15      | 8936R    | Seating Strip Clamp   | 50      | 5604P    | *Hex Washer Head Sheet Metal Screw No. 10 - 24 UNC Type A5 |
| 16      | 8934R    | Seating Strip   | 51      | 3220P    | *Cross Recess Pan Head Machine Screw No. 10 - 24 UNC x 1/2 |
| 17      | 9151R    | Insulated Clip  | 52      | 501P     | *Hex Nut No. 10 - 24 UNC                                   |
| 18      | 4171R    | Grill Bracket   | 53      | 3037P    | *Cross Recess Pan Head Machine Screw No. 10 - 24 UNC x 3/4 |
| 19      | 8518H    | Grill Bracket   | 54      | 1006P    | *Lockwasher No. 10   |
| 20      | 8933P    | Rubber Bumper   | 55      | 505P     | *Hex Nut No. 10 - 24 UNC                                   |
| 21      | 8949R    | Grill Bracket   | 56      | 2503P    | *Cotter Pin 3/32 x 3/4                                     |
| 22      | 242J     | Decal - Roper   | 57      | 3014P    | *Hex Bolt 5/16 - 18 UNC x 1 - 3/4                          |
| 23      | 8835R    | Hood Latch Cover - R.H.   | 58      | 283J     | Decal - Roper Logo   |
| 24      | 8888R    | Hood Latch  |         |          |  |
| 25      | 8937R    | Hood Strip  |         |          |  |
| 26      | 8016R    | Hood Latch Cover - L.H.   |         |          |  |
| 28      | 8028R    | Decal - Maintenance   |         |          |  |
| 29      | 873433   | Hood Ass'y.   |         |          |  |
| 30      | 5600P    | *Hex Washer Head Thread Cutting Screw 5/16 - 18 UNC x 1/2 Type 23 |         |          |  |
| 31      | 3268P    | *Cross Recess Trust Head Machine Screw 1/4 - 20 UNC x 3/4         |         |          |  |



**REPAIR PARTS**

ROPER 11 H.P. GARDEN TRACTOR-MODEL NUMBER T12288R

STEERING AND FRONT AXLE



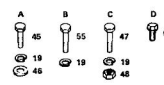
**REPAIR PARTS**

ROPER 11 H.P. GARDEN TRACTOR-MODEL NUMBER T12288R

STEERING AND FRONT AXLE

| KEY NO. | PART NO. | DESCRIPTION                                       | KEY NO. | PART NO. | DESCRIPTION                                       |
|---------|----------|---|---------|----------|---|
| 1       | 238J     | Discal. Steering Wheel Cap                        | 30      | 673A13   | Shoulder Weldment L.H.                            |
| 1A      | 9719H    | Steering Wheel Cap                                | 30      | 9040H    | Lenslet Bearing                                   |
| 2       | 3944H    | Steering Wheel                                    | 31      | 795H     | Trac Valve  |
| 3       | 1502P    | Washer 25/32 x 1-1/4 x 16 Ga. ID to 2 as required | 32      | 3030R    | Front Wheel Disc Key Nut, 30 & 30 1/2             |
| 4       | 9007H    | Cap - Steering Tube                               | 33      | 3030R    | Front Tire - Tubeless, 10 x 30 & 10 x 30 1/2      |
| 5       | 3084H    | Rubber Bushing                                    | 35      | 6850A    | Groove fitting                                    |
| 6       | 9828M1   | Washoff Key                                       | 36      | 8802R    | Steering Disc Lock                                |
| 7       | 9527H    | U-Bolt (Inc. Key No. 7A)                          | 37      | 673A20   | Tie Rod (Inc. Key No. 39 & 40)                    |
| 7A      | 6464H    | Grease Fitting                                    | 38      | 8922R    | Tie Rod Joint - L.H. Thread                       |
| 8       | 4556P    | Sh. Nut (Inc. Screw 3/8" - 16 UNC x 1/2)          | 39      | 544P     | Hex Jam Nut 3/8" - 24 UNF - L.H.                  |
| 9       | 161J     | "U" Joint Spacer                                  | 40      | 544P     | Hex Jam Nut 3/8" - 24 UNF - R.H.                  |
| 10      | 4902R    | Steering Support Bracket                          | 41      | 8921R    | Tie Rod Joint - R.H. Thread                       |
| 11      | 5842M    | Grease Fitting                                    | 42      | 673A14   | Steering Screw Assy.                              |
| 12      | 157J     | Steering Pinion                                   | 43      | 1550P    | Washer 20/32 x 1-1/4 x 16 Ga.                     |
| 13      | 673A20   | Front Axle Weldment                               | 44      | 5077P    | E-Ring  |
| 14      | 8916R    | Pin Bolt 5/8" - 11 UNC x 6                        | 45      | 1512P    | Washer 7/16 x 1 x 14 Ga.                          |
| 15      | 156J     | Shoulder Nut                                      | 46      | 3020P    | Hex Bolt 3/8" - 16 UNC x 1-3/4                    |
| 16      | 1503P    | *Washer 21/32 x 1-5/16 x 13 Ga.                   | 48      | 501P     | *Hex Nut 3/8" - 16 UNC                            |
| 17      | 522P     | *Hex Nut 3/8" - 11 UNC                            | 49      | 3552R    | Axle Thrust Washer 10 to 4 as required            |
| 18      | 515P     | *Hex Nut 3/8" - 24 UNF                            | 50      | 624A02   | Wheel Hubs and Rims                               |
| 19      | 1004P    | *Lockwasher 20                                    | 51      | 3052R    | Rim Wheel   |
| 20      | 673A20   | Steering Tie Rod (Inc. Key No's. 37 thru 41)      | 52      | 3783H    | Rim Tire - Tubeless 22.5 x 7.50 12                |
| 21      | 673A20   | Grease Fitting                                    | 53      | 5845H    | E-Ring  |
| 22      | 6955M    | Grease Fitting                                    | 54      | 1304H    | Hold Bolt   |
| 23      | 673A15   | Steering Tie Rod (Inc. Key No's. 27 thru 41)      | 55      | 3027P    | Hex Bolt 3/8" - 16 UNC x 7/8                      |
| 24      | 5000P    | E-Ring  | 56      | 1561P    | Washer 20/32 x 1-1/4 x 21 Ga. ID to 1 as required |
| 24A     | 1512P    | Washer 20/32 x 1-5/8 x 16 Ga.                     |         |          |   |
| 25      | 673A20   | Grease Fitting - R.H.                             |         |          |   |
| 26      | 9528R    | Lockwasher 20                                     |         |          |   |
| 27      | 8738R    | Dust Cup  |         |          |   |
| 28      | 8907R    | Bushing - Steering Stop                           |         |          |   |

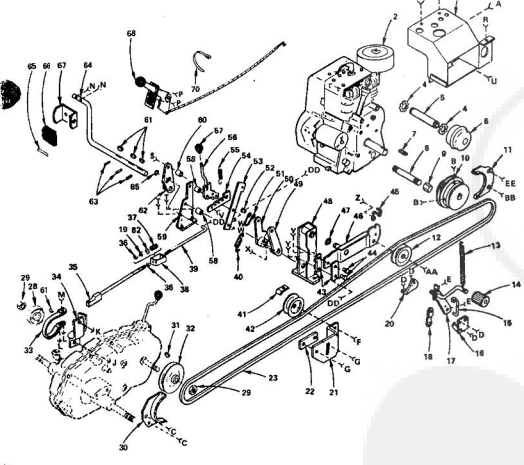
\*STANDARD HARDWARE - PURCHASE LOCALLY



**REPAIR PARTS**

ROPER 11 H.P. GARDEN TRACTOR-MODEL NUMBER T12288R

CLUTCH-BRAKE & DRIVE



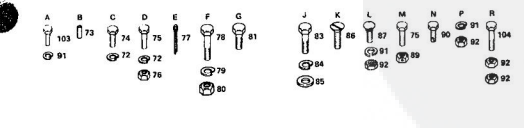
**REPAIR PARTS**

ROPER 11 H.P. GARDEN TRACTOR-MODEL NUMBER T12288R

CLUTCH-BRAKE & DRIVE

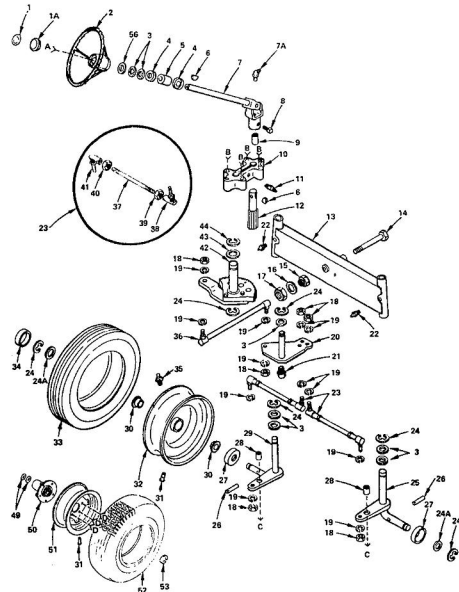
| KEY NO. | PART NO. | DESCRIPTION                                   | KEY NO. | PART NO. | DESCRIPTION  |
|---------|----------|---|---------|----------|--|
| 10      | 4902R    | Steering Support Bracket                      | 60      | 8909R    | Bushing - Lock Bar   |
| 11      | 164J     | Belt Idler - V Groove                         | 61      | 2729M    | Woodruff Key 3/16 x 3/4 H.T.                                       |
| 12      | 8848R    | Spring - Mower Clutch                         | 62      | 8835R    | Brake Arm  |
| 13      | 8863R    | Attachment Pedal Cover                        | 63      | 1424H    | Roll Pin   |
| 14      | 1817J    | Clutch Spring Hanger                          | 64      | 8730R    | Foot Pedal Shaft   |
| 15      | 673A105  | Outer Clutch Bracket Assy.                    | 65      | 8896R    | Insert - Clutch Brake  |
| 16      | 673A106  | Clutch Link - Lower                           | 66      | 8882R    | Foot Pedal Bracket   |
| 17      | 8832R    | Clutch Link - Upper                           | 67      | 8766R    | Clutch & Throttle Control  |
| 18      | 516P     | Locknut 3/8" - 16 UNC                         | 68      | 189J     | Hold Bolt  |
| 19      | 8828R    | Clutch Bracket - Inner                        | 69      | 5011P    | Cable Tie  |
| 20      | 8829R    | Clutch Bracket - Outer                        | 70      | 6730R    | *Lockwasher 5/16   |
| 21      | 8845R    | Flat Idler Bracket                            | 71      | 4546P    | Hex Fingert Socket Hexes - Set Screw CP 5/16" - 18 x 1/2" Nylon    |
| 22      | 8730R    | Idler Bracket Lock Plate                      | 74      | 3009P    | *Hex Bolt 5/16" - 18 UNC x 5/8                                     |
| 23      | 8845R    | Clutch Drive Bolt                             | 75      | 504P     | *Hex Bolt 5/16" - 18 UNC x 3/4                                     |
| 24      | 214J     | Brake Drum                                    | 76      | 504P     | *Hex Nut 5/16" - 18 UNC  |
| 25      | 8204H    | Locknut 1/2" - 20 UNF                         | 77      | 3208P    | *Coner Pin 1/8"  |
| 26      | 8900R    | Transaxle Pulley Bolt Guide (Inc. Key No. 73) | 78      | 3038P    | Hex Bolt 7/16" - 14 UNC x 1-1/2                                    |
| 27      | 8900R    | Woodruff Key 3/16 x 5/8 H.T.                  | 79      | 1001P    | *Lockwasher 7/16   |
| 28      | 8847H    | Transaxle Pulley                              | 80      | 500P     | *Hex Nut 7/16" - 14 UNC  |
| 29      | 673A27   | Brake Bracket Weldment                        | 81      | 3021P    | Washer 13/32 x 1-9/16 x 10 Ga.                                     |
| 30      | 626A368  | *Hex Jam Nut 3/8" - 16 UNC                    | 82      | 1620P    | Hex Bolt 3/8" - 16 UNC x 1/8                                       |
| 31      | 1784J    | Compressor Spring                             | 83      | 3022P    | *Lockwasher 3/8  |
| 32      | 673A27   | Brake Bracket Assy.                           | 84      | 1004P    | *Washer 3/32 x 13/16 x 16 Ga.                                      |
| 33      | 1784J    | Compressor Spring                             | 85      | 3184P    | Undercut Flat Head Mach. Screw 3/8" - 16 UNC x 3/8                 |
| 34      | 673A27   | Brake Bracket Assy.                           | 87      | 11P      | St. Neck Carriage Bolt 1/4" - 20 UNC x 5/8                         |
| 35      | 626A368  | *Hex Jam Nut 3/8" - 16 UNC                    | 88      | 1895H    | Locknut 5/16" - 18 UNC   |
| 36      | 5028P    | *Hex Jam Nut 3/8" - 16 UNC                    | 89      | 6569P    | Hex Hd. Thread Cutting Screw 1/4" - 20 UNC x 1/2 Type 23           |
| 37      | 1784J    | Compressor Spring                             | 90      | 1002P    | *Lockwasher 1/4"   |
| 38      | 673A209  | Coupler Assembly                              | 92      | 503P     | *Hex Nut 1/4" - 20 UNC   |
| 39      | 1782J    | Brake Rod - Front                             | 93      | 3723P    | *Hex Bolt 5/16" - 18 UNC x 1 Grade 5                               |
| 40      | 8905R    | Spring  | 95      | 1505P    | *Washer 6/16 x 3/4 x 16 Ga.  |
| 41      | 8905R    | Wire - Lead                                   | 96      | 3159P    | *Hex Bolt 5/16" - 18 UNC x 7/8                                     |
| 42      | 5655H    | Flat Idler                                    | 97      | 1537P    | *Washer 1/32 x 11/16 x 16 Ga.                                      |
| 43      | 8915R    | Clutch Arm Link                               | 98      | 601P     | *Hex Nut 3/8" - 16 UNC   |
| 44      | 8912R    | Drilled Flat Head Rivet                       | 99      | 3003P    | *Washer 1/4" - 20 UNC x 3/4  |
| 45      | 8848R    | V-Idler Bolt Guide                            | 100     | 1895P    | Washer 8/32 x 1-1/4 x 16 Ga.                                       |
| 46      | 673A162  | Belt Idler Bracket Weldment                   | 101     | 5602P    | Cross Recess Tread Head Threaded Cutting Screw 1/4" - 20 UNC x 1/2 |
| 47      | 5021P    | *Hex Nut 3/8" - 16 UNC                        |         |          |  |
| 48      | 673A21   | Belt Idler Support Assy.                      | 102     | 3027P    | *Hex Bolt 3/8" - 16 UNC x 1-1/2                                    |
| 49      | 8837R    | Clutch Spring Arm                             | 103     | 3114P    | *Hex Bolt 1/4" - 20 UNC x 1/2                                      |
| 50      | 8838R    | Safety Switch Arm                             | 104     | 3364P    | *Hex Bolt 1/4" - 20 UNC x 1-1/4 Full 1                             |
| 51      | 8839R    | Spring - Clutch                               | 106     | 3003P    | *Hex Bolt 5/16" - 24 UNF x 5/8                                     |
| 52      | 8911R    | Drilled Flat Head Rivet                       | 108     | 2905P    | *Coner Pin 1/8" x 3/4  |
| 53      | 8839R    | Parking Brake Lock Bracket                    | 109     | 3360P    | *Hex Bolt 5/16" - 24 UNF x 2-3/4                                   |
| 54      | 1008J    | Spring  | 110     | 538P     | *Hex Jam Nut 5/16" - 24 UNF  |
| 55      | 8848R    | Spring  |         |          |  |
| 56      | 673A18   | Forking Brake Lever Weldment                  |         |          |  |
| 57      | 8811R    | Control Knob                                  |         |          |  |
| 58      | 8908R    | Bushing - Brake Lever                         |         |          |  |
| 59      | 8922R    | Parking Brake Support                         |         |          |  |
| 59A     | 3004P    | Hex Bolt 1/4" - 20 x 1                        |         |          |  |

OPTIONAL EQUIPMENT  
Search Arrester Muffler LA248AR  
\*STANDARD HARDWARE - PURCHASE LOCALLY



### REPAIR PARTS

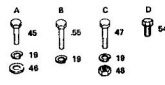
ROPER 11 H.P. GARDEN TRACTOR MODEL NUMBER T1228AR  
STEERING AND FRONT AXLE



### REPAIR PARTS

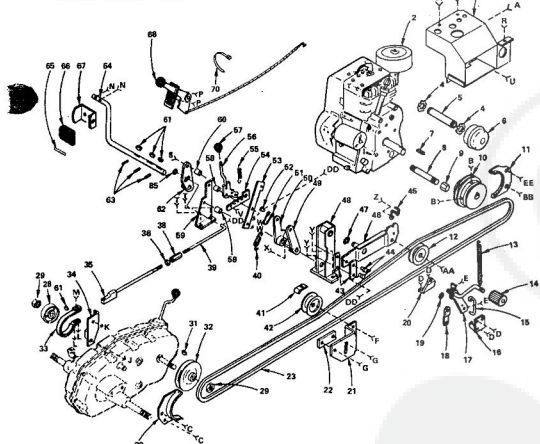
ROPER 11 H.P. GARDEN TRACTOR-MODEL NUMBER T1228AR  
STEERING AND FRONT AXLE

| KEY NO. | PART NO. | DESCRIPTION                                 | KEY NO. | PART NO. | DESCRIPTION                          |
|---------|----------|---|---------|----------|--------------------------------------|
| 1       | 236J     | Detail, Steering Wheel Cap                  | 20      | 673A13   | Spindle Weldment - L.H.              |
| 1A      | 9719R    | Steering Wheel Cap                          | 30      | 9060H    | Flange Bearing                       |
| 2       | 364M     | Washer 48/34 x 1 - 1/4 x 16 Ga.             | 31      | 780H     | Flange Washer                        |
| 3       | 1562P    | Washer 48/34 x 1 - 1/4 x 16 Ga.             | 32      | 3638R    | Front Wheel Hic. Key No's 20 & 3     |
| 4       | 900M     | Cap - Steering Tube                         | 33      | 3838R    | Front Tire - Tubeless 10 x 4.50 - 8  |
| 5       | 5919M    | Rubber Bushing                              | 34      | 2118R    | Dust Cap                             |
| 6       | 882M1    | Woodruff Key                                | 35      | 6856M    | Grease Fitting                       |
| 7       | 9827H    | U-Joint (Inc. Key No. 7A)                   | 36      | 8809R    | Steering Drag Link                   |
| 7A      | 8823H    | Grease Fitting                              | 37      | 673A28   | Tie Rod Hic. Key No's 20 & 40        |
| 8       | 4906P    | Sq. Hd. Set Screw 3/8 - 16 UNC x 1/2        | 38      | 8922H    | Tie Rod Adjust. L.H. Thread          |
| 9       | 161J     | "U" Joint Socket                            | 39      | 547P     | Hex Jam Nut 3/8 - 24 UNF - L.H.      |
| 10      | 8938R    | Steering Support Bracket                    | 40      | 546P     | Hex Jam Nut 3/8 - 24 UNF             |
| 11      | 6847M    | Grease Fitting                              | 41      | 8921R    | Tie Rod Joint - R.H. Flange          |
| 12      | 151J     | Steering Pinion                             | 42      | 673A147  | Steering Sector Assy.                |
| 13      | 673A26   | Front Axle Weldment                         | 43      | 1503P    | Washer 5/16 x 1 - 1/4 x 16 Ga.       |
| 14      | 9319H    | Front Bolt 5/8 - 11 UNC x 6                 | 44      | 5017H    | E-Ring                               |
| 15      | 155J     | Shoulder Nut                                | 45      | 3023P    | Hex Bolt 3/8 - 16 UNC x 1            |
| 16      | 1503P    | Washer 21/32 x 1 - 5/16 x 13 Ga.            | 46      | 1517P    | Washer 7/16 x 1 - 1/4 Ga.            |
| 17      | 527P     | Hex Nut 3/8 - 11 UNC                        | 47      | 3026P    | Hex Bolt 3/8 - 16 UNC x 1 - 3/4      |
| 18      | 516P     | Hex Nut 3/8 - 24 UNF                        | 48      | 5011P    | Hex Nut 3/8 - 16 UNC                 |
| 19      | 1004P    | Lockwasher 3/8                              | 49      | 7502P    | Axle Thrust Washers                  |
| 20      | 673A30   | Steering Bell Crank Weldment                | 50      | 624A102  | Wheel Hub and Bushing                |
| 21      | 6852M    | Grease Fitting                              | 51      | 3635H    | Wheel Wheel                          |
| 22      | 6852M    | Grease Fitting                              | 52      | 3783H    | Rear Tire - Tubeless 22.5 x 7.50 - 8 |
| 23      | 673A15   | Steering Tie Rod (Inc. Key No's 37 thru 41) | 54      | 1324H    | Hull Bolt                            |
| 24      | 5006P    | E-Ring                                      | 55      | 5022P    | Hex Bolt 3/8 - 16 UNC x 7/8          |
| 24A     | 1589P    | Washer 49/64 x 1 - 5/8 x 16 Ga.             | 56      | 1591P    | Washer 25/32 x 1 - 1/4 x 21 Ga.      |
| 25      | 673A30   | Spindle Weldment - R.H.                     |         |          |                                      |
| 26      | 8620H    | Grease Pin                                  |         |          |                                      |
| 27      | 8759R    | Dust Cap - Inner                            |         |          |                                      |
| 28      | 9067H    | Bushing - Steering Stop                     |         |          |                                      |



### REPAIR PARTS

ROPER 11 H.P. GARDEN TRACTOR-MODEL NUMBER T1228AR  
CLUTCH-BRAKE & DRIVE



### REPAIR PARTS

ROPER 11 H.P. GARDEN TRACTOR-MODEL NUMBER T1228AR  
CLUTCH-BRAKE & DRIVE

| KEY NO. | PART NO. | DESCRIPTION                                   | KEY NO. | PART NO. | DESCRIPTION  |
|---------|----------|---|---------|----------|--|
| 2       | 25817    | Engine - 11 H.P. Briggs & Stratton Type 03001 | 60      | 8909R    | Bushing - Lock Bar   |
| 3       | 673A153  | Heat Deflection Weldment                      | 61      | 2228M    | Woodruff Key 3/16 x 3/4 H.T.   |
| 4       | 6940H    | Muffler - Muffler                             | 63      | 5142H    | Roll Pin   |
| 5       | 8888R    | Muffler Pipe                                  | 64      | 8760R    | Foot Pedal Shaft   |
| 6       | 430J     | Muffler                                       | 65      | 8889R    | Insert - Clutch-Brake  |
| 7       | 9356E    | Sq. Key                                       | 66      | 8882H    | Foot Pedal   |
| 8       | 4011P    | Oil Drain Pipe 3/8 - 18 NPT x 3 - 1/2         | 68      | 180J     | Choke & Throttle Control   |
| 9       | 4015P    | Drain Pipe 3/8 - 18 NPT                       | 69      | 3011P    | Hex Bolt 5/16 - 18 UNC x 1   |
| 10      | 673A98   | Engine Pulley & Set Screws (Inc. Key No. 72)  | 70      | 6106E    | Cable Tie  |
| 11      | 184L     | Engine Pulley Bolt Guide                      | 72      | 1003P    | Lockwasher 5/16  |
| 12      | 8946R    | Ball Idler - V Groove                         | 73      | 4646P    | Hex Flange Socket Headless Set Scr 5/16 - 18 UNC x 1/2                 |
| 13      | 8906R    | Spring - Mover Clutch                         | 74      | 3009P    | Hex Bolt 5/16 - 18 UNC x 5/8   |
| 14      | 8963R    | Attachment Pedal Cover                        | 75      | 3010P    | Hex Bolt 5/16 - 18 UNC x 3/4   |
| 15      | 673A105  | Outer Clutch Bracket Assy.                    | 76      | 524P     | Hex Bolt 5/16 - 18 UNC   |
| 16      | 673A105  | Clutch Lever Weldment                         | 77      | 2500P    | Cotter Pin 1/8 x 1   |
| 17      | 673A105  | Clutch Lever Weldment                         | 78      | 3025P    | Hex Bolt 7/16 - 14 UNC x 1 - 1/2                                       |
| 18      | 5018P    | Retaining Ring                                | 79      | 1001P    | Lockwasher 7/16  |
| 19      | 8828R    | Clutch Bracket - Inner                        | 80      | 500P     | Hex Nut 7/16 - 14 UNC  |
| 20      | 8828R    | Clutch Bracket - Outer                        | 81      | 3021P    | Hex Bolt 3/8 - 16 UNC x 3/4  |
| 21      | 8828R    | Flat Idler Bracket                            | 83      | 3022P    | Hex Bolt 3/8 - 16 UNC x 7/8  |
| 22      | 8770R    | Flat Idler Bracket Lock Rate                  | 84      | 1004P    | Lockwasher 3/8   |
| 23      | 8842R    | Ground Drive Belt                             | 85      | 1513P    | Washer 13/32 x 13/16 x 16 Ga.  |
| 24      | 714J     | Brake Drum                                    | 86      | 3164P    | Undercut Flat Head Mach. Screw 3/8 - 18 UNC x 3/4                      |
| 25      | 9204H    | Locknut 1/2 - 20 UNF                          | 87      | 10P      | Hex Neck Collar Bolt 1/4 - 20 UNC x 1/2                                |
| 26      | 9802R    | Transaxle Pulley Bolt Guide                   | 88      | 1665H    | Locknut 1/4 - 20 UNC   |
| 27      | 8826M1   | Woodruff Key 3/16 x 5/8 H.T.                  | 89      | 1805H    | Locknut 5/16 - 18 UNC  |
| 28      | 8847R    | Brake Band Assy.                              | 90      | 6599P    | Hex Nut Thread Cutting Screw 1/4 - 20 UNC x 1/2 Type 23                |
| 29      | 673A29   | Brake Bracket Weldment                        | 91      | 1002P    | Lockwasher 1/4   |
| 30      | 673A29   | Brake Rod Assy.                               | 92      | 502P     | Hex Nut 1/4 - 20 UNC   |
| 31      | 5018P    | Hex Nut 3/8 - 16 UNC                          | 94      | 3273P    | Hex Bolt 5/16 - 18 UNC x 1 Grad 1                                      |
| 32      | 8417H    | Turbocharger                                  | 95      | 1505P    | Washer 5/16 x 3/4 x 16 Ga.   |
| 33      | 8902M    | Spring - Idler                                | 96      | 3105P    | Hex Bolt 5/16 - 18 UNC x 7/8   |
| 34      | 8902M    | Wipe Guard                                    | 97      | 1537P    | Washer 11/32 x 11/16 x 16 Ga.  |
| 35      | 6635H    | Belt Idler - Flat                             | 98      | 3105P    | Hex Nut 5/16 - 18 UNC  |
| 36      | 8915R    | Clutch Arm Link                               | 99      | 8010P    | Hex Bolt 1/4 - 20 UNC x 3/4  |
| 37      | 8915R    | Drilled Flat Head Rivet                       | 100     | 1585P    | Washer 9/32 x 1 - 1/4 x 16 Ga.   |
| 38      | 8915R    | V-Idler Belt Guide                            | 101     | 6602P    | Cross Reptn Truss Head Thread Cutting Screw 1/4 - 20 UNC x 1/2 Type 23 |
| 39      | 673A162  | Belt Idler Bracket Weldment                   | 102     | 3027P    | Hex Bolt 3/8 - 16 UNC x 1 - 1/2  |
| 40      | 5001P    | Flat Idler Support Assy.                      | 103     | 3114P    | Hex Bolt 1/4 - 20 UNC x 1/2  |
| 41      | 8837R    | Clutch Pencil Arm                             | 104     | 3384P    | Hex Bolt 1/4 - 20 UNC x 1 - 1/4 Fv                                     |
| 42      | 8837R    | Safety Switch Arm                             | 105     | 3010P    | Hex Bolt 5/16 - 18 UNC x 1/2   |
| 43      | 8911R    | Spring Claws                                  | 106     | 3033P    | Hex Bolt 5/16 - 24 UNF x 3/8   |
| 44      | 8902R    | Drilled Flat Head Rivet                       | 108     | 2305P    | Cotter Pin 1/8 x 2/4   |
| 45      | 1006J    | Parking Brake Lock Bracket                    | 109     | 3384P    | Hex Bolt 5/16 - 24 UNF x 2   |
| 46      | 8905R    | Spring - Parking Brake                        | 110     | 3384P    | Hex Bolt 5/16 - 24 UNF x 2   |
| 47      | 673A18   | Parking Brake Lever Weldment                  |         |          |  |
| 48      | 8911R    | Control Knob - Parking Brake                  |         |          |  |
| 49      | 8908R    | Bushing - Brake Lever                         |         |          |  |
| 50      | 8822R    | Parking Brake Support                         |         |          |  |

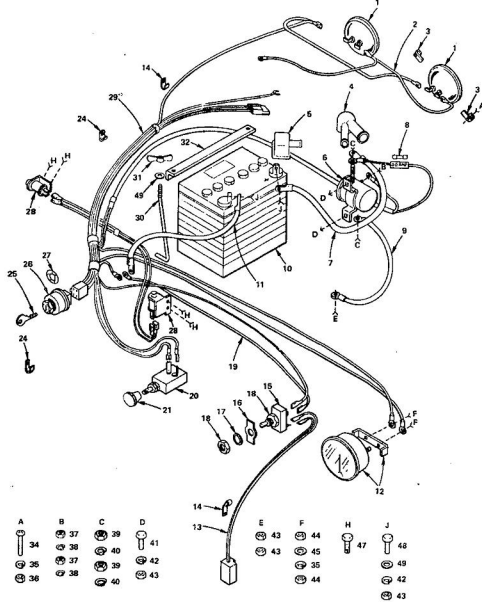




### REPAIR PARTS

ROPER 11 H.P. GARDEN TRACTOR-MODEL NUMBER T12288R

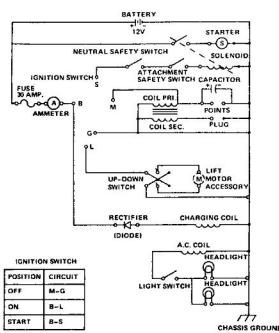
#### ELECTRICAL



### REPAIR PARTS

ROPER 11 H.P. GARDEN TRACTOR-MODEL NUMBER T12288R

#### ELECTRICAL



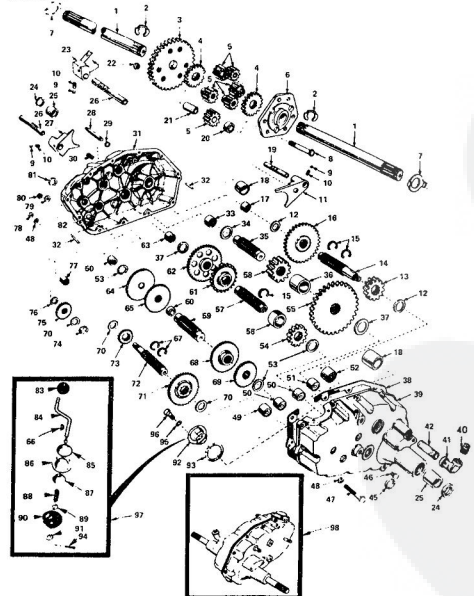
| POSITION | CIRCUIT |
|----------|---------|
| OFF      | M-C     |
| ON       | B-L     |
| START    | B-S     |

| KEY NO. | PART NO. | DESCRIPTION                       | KEY NO. | PART NO. | DESCRIPTION  |
|---------|----------|-----------------------------------|---------|----------|--|
| 1       | 8452R    | Headlight                         | 29      | 303J     | Wiring Harness   |
| 2       | 8031R    | Wire - Headlight Ground           | 30      | 8964R    | Battery Bolt   |
| 3       | 8764R    | Headlight Clamp                   | 31      | 3748M    | Wing Nut 1/4 - 20 UNC                                    |
| 4       | 51J      | Terminal Insulator (Dual)         | 32      | 8796R    | Battery Hold Down  |
| 5       | 8856R    | Terminal Insulator                | 34      | 3346P    | Cross Section Trans Mt. Match. Screw No. 10 - 24 UNC x 1 |
| 6       | 103R     | Solenoid Inc. Key No. 37 thru 40) | 35      | 1006P    | *Lockwasher No. 10                                       |
| 7       | 9277R    | Battery Cable                     | 36      | 506P     | *Hex Nut No. 10 - 24 UNC                                 |
| 8       | 6347R    | Fuse - 30 Amp.                    | 37      | 527P     | *Hex Nut No. 8 - 32 UNC                                  |
| 9       | 8808R    | Starter Cable                     | 38      | 1005P    | *Lockwasher No. 8  |
| 10      | 7262     | Battery                           | 39      | 535P     | *Hex Jam Nut 5/16 - 24 UNF                               |
| 11      | 8881R    | Ground Cable                      | 41      | 3114P    | *Lockwasher 5/16   |
| 12      | 9432R    | Ammeter                           | 42      | 1002P    | *Lockwasher 1/4  |
| 13      | 9700R    | Harness - Lift Motor              | 43      | 503P     | *Hex Nut 1/4 - 20 UNC                                    |
| 14      | 4171R    | Insulated Clip                    | 44      | 542P     | *Hex Nut No. 10 - 32 UNF                                 |
| 15      | 8984R    | Lift Switch (Inc. Key No. 18)     | 45      | 1583P    | Brass Washer No. 10                                      |
| 16      | 9246R    | Up-Down Switch                    | 47      | 5959P    | *Hex Self-Feeding Screw No. 10 x 1/2 Type-23             |
| 17      | 7219R    | Internal Tooth Lockwasher         | 48      | 3005P    | *Hex Bolt 1/4 - 20 UNC x 3/4                             |
| 18      | 566P     | Hex Nut 15/32 - 32 NS             | 49      | 1506P    | *Washer 8/32 x 5/8 x 16 Ga.                              |
| 19      | 9697R    | Ground Wire                       |         |          |  |
| 20      | 7703R    | Light Switch                      |         |          |  |
| 21      | 7794R    | Light Switch Knob                 |         |          |  |
| 24      | 2751H    | Wire Clip                         |         |          |  |
| 25      | 7552H    | Key and Ring Assembly             |         |          |  |
| 26      | 4408R    | Ignition Switch (Inc. Key No. 25) |         |          |  |
| 27      | 8257R    | Terminal Identifier               |         |          |  |
| 28      | 7755R    | Safety Switch                     |         |          |  |

### REPAIR PARTS

ROPER 11 H.P. GARDEN TRACTOR-MODEL NUMBER T12288R

#### TRANSAXLE



### REPAIR PARTS

ROPER 11 H.P. GARDEN TRACTOR-MODEL NUMBER T12288R

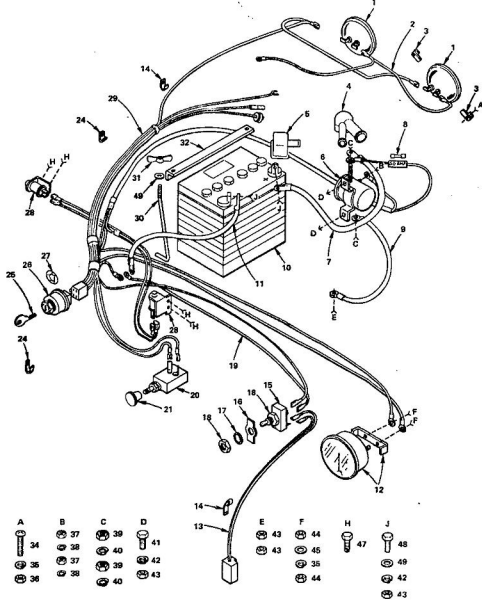
#### TRANSAXLE

| KEY NO. | PART NO. | DESCRIPTION   | KEY NO. | PART NO. | DESCRIPTION  |
|---------|----------|---|---------|----------|--|
| 1       | 4197R    | Axle Shaft  | 49      | 4895H    | Needle Bearing   |
| 2       | 5845R    | Retaining Ring  | 50      | 4222R    | Needle Bearing   |
| 3       | 4198R    | Final Drive Gear  | 51      | 1529R    | Needle Bearing   |
| 4       | 4216R    | Differential Gear   | 52      | 8118M    | Needle Bearing   |
| 5       | 4215R    | Differential Pinion   | 53      | 4299R    | Thrust Bearing Race  |
| 6       | 4217R    | Differential Carrier  | 54      | 4209R    | 3rd Reduction Pinion - Low                                     |
| 7       | 6256R    | Slide Thrust Washer   | 55      | 4213R    | 4th Reduction Gear   |
| 8       | 3056P    | Hex Bolt 3/8 - 24 UNF x 3 - 1/4 (1" Thread Length)  | 56      | 4442R    | 3rd Reduction Pinion Spacer                                    |
| 9       | 7392M    | Steel Ball  | 57      | 4196R    | 2nd Reduction Gear Shaft                                       |
| 10      | 6272H    | Spring Shift Fork (Outer)   | 58      | 4214R    | Final Drive Pinion   |
| 11      | 4980R    | Shift Fork - High - Low Range   | 59      | 4194R    | 1st Reduction Gear Shaft                                       |
| 12      | 6256H    | Thrust Bearing Race   | 60      | 7262R    | 1st Reduction Shaft Spacer                                     |
| 13      | 4212R    | 4th Reduction Pinion  | 61      | 4208R    | 3rd Reduction Pinion - High                                    |
| 14      | 4196R    | 3rd Reduction Gear Shaft  | 62      | 4207R    | 2nd Reduction Gear   |
| 15      | 6270H    | Snap Ring - Crowned Type High - Low Range (Clear)   | 63      | 7398H    | Needle Bearing   |
| 16      | 633A63   | Needle Bearing  | 64      | 4203R    | Low Speed Gear and 2nd Reduction Pinion Cluster                |
| 17      | 8118M    | Needle Bearing  | 65      | 4204R    | Reverse Gear   |
| 18      | 8140H1   | Sintered Iron Bearing   | 66      | 7835M    | Washnut Key 3/8 x 1/2  |
| 19      | 6217H    | Shift Fork Shaft, High - Low Range  | 67      | 4826H    | Snap Ring - Crowned Type Intermediate-Speed Gear               |
| 20      | 6218R    | Differential Pinion Spacer  | 68      | 4205H    | High Speed Gear  |
| 21      | 6252H1   | Differential Pinion Bushing   | 69      | 4206R    | Thrust Bearing Race  |
| 22      | 7810H    | Spring Control Nut 3/8 - 24 UNF   | 70      | 1270H    | Thrust Bearing Race Intermediate and High Speed Cluster Pinion |
| 23      | 4988R    | Shift Fork - L.H.   | 71      | 633A69   | Intermediate and High Speed Cluster Pinion                     |
| 24      | 7351R    | Oil Seal  | 72      | 4193R    | Input Shaft  |
| 25      | 92261    | Sintered Iron Bearing   | 73      | 4201R    | Low-Speed Pinion   |
| 26      | 6216H    | Shift Fork Shaft  | 74      | 5001P    | E-Ring   |
| 27      | 6262H    | Shift Fork - R.H.   | 75      | 1153R    | Reverse Idler Gear   |
| 28      | 9212R    | Shift Fork, High - Low Range  | 76      | 7392H    | Reverse Idler Thrust Washer                                    |
| 29      | 6269H    | Oil Seal  | 77      | 5239H    | Needle Bearing   |
| 30      | 5855H    | Pressure Relief Valve   | 78      | 504P     | *Hex Nut 5/16 - 18 UNC   |
| 31      | 633A65   | Gearcase, Reverse Idler Shaft and Gearcase - R.H. (Inc. Key No. 1, 17, 18, 25, 26, 30, 43, 76, 77 and 82) | 79      | 1167R    | Sealing Washer   |
| 32      | 6272H    | Down Pin  | 80      | 6270H    | Oil Seal   |
| 33      | 4226R    | Needle Bearing  | 81      | 6270H    | Oil Seal   |
| 34      | 7398H    | Thrust Bearing Race   | 82      | 7394H    | Reverse Idler Shaft  |
| 35      | 4198R    | 4th Reduction Gear Shaft  | 83      | 6394H    | Control Knob   |
| 36      | 4200R    | 4th Reduction Gear Spacer   | 84      | 9011R    | Gear Shift Lever - Bent  |
| 37      | 7395H    | Thrust Bearing Race   | 85      | 2013R    | Gear Shift Cap   |
| 38      | 6275H    | Gearcase Gasket   | 86      | 633A68   | Gear Shift Ball Cover and Pin                                  |
| 39      | 633A64   | Gearcase and Bearings - L.H. (Inc. Key No. 18, 25, 49, 50 (2), 51 and 52)                                 | 87      | 6759H1   | Shift Lever Guide Ball - Keyed                                 |
| 40      | 4002P    | Pipe Plug 1/2 - 14 N.P.T.   | 88      | 4924H    | Spring   |
| 41      | 4015P    | Elbow 90° - 1/2 - 18 N.P.T.   | 89      | 1503P    | *Washer 15/32 x 5/16 x 11 Ga.                                  |
| 42      | 4016P    | Soft Pipe Needle 1/2 - 14 N.P.T. x 3  | 90      | 9106R    | 3rd Mechanism Seal   |
| 43      | 6271H    | Oil Seal  | 91      | 1509P    | *Washer 9/16 x 15/16 x 11 Ga.                                  |
| 44      | 6267P    | Pin Plus 1/4 - 18 N.P.T.  | 92      | 750      | Gear Shift Latch   |
| 45      | 3027P    | *Hex Bolt 5/16 - 18 x 1 1/2 G. x 5  | 93      | 6274H    | Shift Ball Cover Gasket  |
| 46      | 1007P    | Lockwasher 5/16 Extra Heavy   | 94      | 2005P    | *Cover 1/8 - 3/8   |
|         |          |   | 95      | 1003P    | *Lockwasher 3/16   |
|         |          |   | 96      | 2150P    | *Hex Bolt 5/16 - 18 UNC x 7/8                                  |
|         |          |   | 97      | 633A67   | Gear Shift Lever Assy.   |
|         |          |   | 98      | 633A66   | Transaxle Assembly Less Brake Drum & Shift Lever Assy.         |



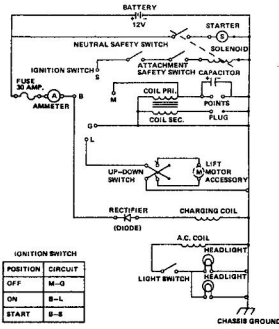
**REPAIR PARTS**

ELECTRICAL ROPER 11 H.P. GARDEN TRACTOR-MODEL NUMBER T1228AR



**REPAIR PARTS**

ELECTRICAL ROPER 11 H.P. GARDEN TRACTOR-MODEL NUMBER T1228AR

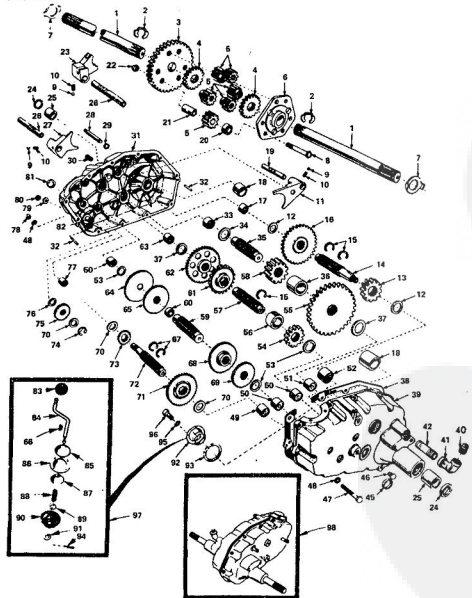


| POSITION | CIRCUIT |
|----------|---------|
| OFF      | M-O     |
| ON       | B-L     |
| START    | B-E     |

| KEY NO. | PART NO. | DESCRIPTION                        | KEY NO. | PART NO. | DESCRIPTION   |
|---------|----------|------------------------------------|---------|----------|---|
| 1       | 6452R    | Headlight                          | 29      | 303J     | Wiring Harness  |
| 2       | 8031R    | Wire-Headlight Ground              | 30      | 8864R    | Battery Bolt  |
| 3       | 8794R    | Headlight Clamp                    | 31      | 3745M    | Wing Nut 1/4 - 20 UNC                                   |
| 4       | 81J      | Terminal Insulator (Dual)          | 32      | 8796R    | Battery Hold Down                                       |
| 5       | 8866R    | Terminal Insulator                 | 34      | 3484P    | Cross Recross Trans Hd. Mach. Screw No. 10 - 24 UNC x 1 |
| 6       | 103R     | Solenoid (Inc. Key No. 37 thru 40) | 35      | 1006P    | *Lockwasher No. 10                                      |
| 7       | 8272R    | Battery Cable                      | 36      | 525P     | *Hex Nut No. 10 - 24 UNC                                |
| 8       | 8347R    | Fuse - 30 Amp.                     | 37      | 521P     | *Hex Nut No. 8 - 32 UNC                                 |
| 9       | 8869R    | Starer Cable                       | 38      | 1006P    | *Lockwasher No. 8                                       |
| 10      | 226J     | Battery                            | 39      | 538P     | *Hex Jam Nut 5/16 - 24 UNF                              |
| 11      | 8601R    | Ground Cable                       | 40      | 1006P    | *Lockwasher 5/16  |
| 12      | 9433R    | Ammeter                            | 41      | 3114P    | *Hex Bolt 1/4 - 20 UNC x 1/2                            |
| 13      | 9000R    | Hermes - Lift Motor                | 42      | 1006P    | *Lockwasher 1/4   |
| 14      | 4717S    | Insulated Dip                      | 43      | 503P     | *Hex Nut 1/4 - 20 UNC                                   |
| 15      | 8894R    | Lift Switch (Inc. Key No. 18)      | 44      | 643P     | *Hex Nut No. 10 - 32 UNF                                |
| 16      | 8346R    | Hex Nut 1/2 - 20 UNC               | 45      | 1883P    | Brass Washer No. 10                                     |
| 17      | 7319R    | Internal Tooth Lockwasher          | 47      | 5085P    | Hex Bolt 1/4 - 20 UNC x 3/4                             |
| 18      | 5866P    | Hex Nut 1/2 - 20 UNC               | 48      | 303P     | *Hex Bolt 1/4 - 20 UNC x 3/4                            |
| 19      | 9697R    | Ground Wire                        | 49      | 1506P    | *Washer 8/32 x 5/8 x 16 Ga.                             |
| 20      | 7792R    | Light Switch                       |         |          |   |
| 21      | 7794R    | Light Switch Knob                  |         |          |   |
| 22      | 7793R    | Light Switch                       |         |          |   |
| 23      | 7791R    | Light Switch                       |         |          |   |
| 24      | 7791R    | Light Switch                       |         |          |   |
| 25      | 7522H    | Key and Ring Assembly              |         |          |   |
| 26      | 4406R    | Ignition Switch (Inc. Key No. 25)  |         |          |   |
| 27      | 8927R    | Terminal Identifier                |         |          |   |
| 28      | 7756R    | Safety Switch                      |         |          |   |

**REPAIR PARTS**

TRANSAXLE ROPER 11 H.P. GARDEN TRACTOR-MODEL NUMBER T1228AR



**REPAIR PARTS**

TRANSAXLE ROPER 11 H.P. GARDEN TRACTOR-MODEL NUMBER T1228AR

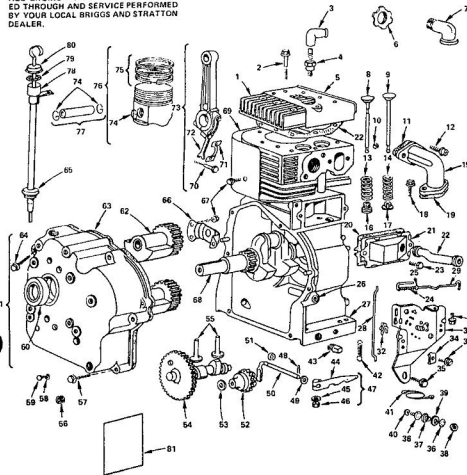
| KEY NO. | PART NO. | DESCRIPTION  | KEY NO. | PART NO. | DESCRIPTION  |
|---------|----------|--|---------|----------|--|
| 1       | 4197R    | Axis Shaft   | 49      | 4895H    | Needle Bearing   |
| 2       | 5845R    | Paralleling Ring   | 50      | 4222R    | Needle Bearing   |
| 3       | 4199R    | Final Drive Gear   | 51      | 1529R    | Needle Bearing   |
| 4       | 4216R    | Differential Gear  | 52      | 8119M    | Needle Bearing   |
| 5       | 4215R    | Differential Pinion  | 53      | 4220R    | Thrust Bearing Race                                    |
| 6       | 4217R    | Differential Carrier   | 54      | 4209R    | 3rd Reduction Pinion-Spacer                            |
| 7       | 6206R    | Hex Bolt 3/8 - 24 UNF x 3 - 1/4 (11 Thread Length)   | 55      | 4212R    | 4th Reduction Gear                                     |
| 8       | 3066P    | Steel Ball   | 56      | 4442R    | 2nd Reduction Pinion-Spacer                            |
| 9       | 7392M    | Spring Shift Fork Detent   | 57      | 4195R    | 2nd Reduction Gear Shaft                               |
| 10      | 8272H    | Shift Fork, High - Low Range   | 58      | 4214R    | Final Drive Pinion                                     |
| 11      | 4865R    | Thrust Bearing Race  | 59      | 4194R    | 1st Reduction Gear Shaft                               |
| 12      | 4218R    | 4th Reduction Pinion   | 60      | 7258R    | 1st Reduction Shaft Spacer                             |
| 13      | 4212H    | 4th Reduction Pinion   | 61      | 4208R    | 3rd Reduction Pinion - High                            |
| 14      | 4180R    | 3rd Reduction Gear Shaft   | 62      | 4207R    | 2nd Reduction Gear                                     |
| 15      | 8270H    | Snap Ring - Crescent Type  | 63      | 7398H    | Needle Bearing   |
| 16      | 8324G3   | High - Low Range Gears   | 64      | 4203R    | Low Speed Gear and 2nd Reduction Pinion Cluster        |
| 17      | 8118M    | Needle Bearing   | 65      | 4204R    | Reverse Gear   |
| 18      | 8740H1   | Sintered Iron Bearing  | 66      | 7855M    | Woodruff Key 1/8 x 1/2                                 |
| 19      | 8217H    | Shift Fork Shaft, High - Low Range   | 67      | 4829H    | Snap Ring, Crescent Type                               |
| 20      | 4218R    | Differential Pinion Spacer   | 68      | 4205R    | Intermediate Speed Gear                                |
| 21      | 8252H    | Differential Pinion Bushing  | 69      | 4206R    | High Speed Gear  |
| 22      | 7810H    | Gripco Centerlock Nut 3/8 - 24 UNF   | 70      | 1370H    | Thrust Bearing Race                                    |
| 23      | 4866R    | Shift Fork - L.H.  | 71      | 8334G3   | Intermediate and High Speed Cluster Pinion             |
| 24      | 7393R    | Oil Seal   | 72      | 4192R    | Input Shaft  |
| 25      | 9291S    | Sintered Iron Bearing  | 73      | 4201R    | Low Speed Pinion                                       |
| 26      | 8216H    | Shift Fork Shaft   | 74      | 5001P    | *E Ring  |
| 27      | 8261H    | Shift Fork - R.H.  | 75      | 1153R    | Reverse Idler Gear                                     |
| 28      | 9012R    | Shift Shaft, High - Low Range  | 76      | 7392H    | Reverse Idler Thrust Washer                            |
| 29      | 8260H    | Oil Seal   | 77      | 4202R    | Needle Bearing   |
| 30      | 8858H    | Pressure Relief Valve  | 78      | 504P     | *Hex Nut 5/16 - 18 UNC                                 |
| 31      | 8334G6   | Gearcase, Reverse Idler Shaft and Bearings - R.H. (Inc. Key No. 17, 18, 25, 35, 60, 63, 76, 77 and 82) | 79      | 1160R    | Sealing Washer   |
| 32      | 8277H    | Dowel Pin  | 80      | 541P     | Hex Jam Nut 7/16 - 20 UNF                              |
| 33      | 4225R    | Needle Bearing   | 81      | 8270H    | Oil Seal   |
| 34      | 7390H    | Thrust Bearing Race  | 82      | 7384H    | Reverse Idler Shaft                                    |
| 35      | 4198R    | 4th Reduction Gear Shaft   | 83      | 8364H    | Control Knob   |
| 36      | 4203R    | 4th Reduction Gear Spacer  | 84      | 9011R    | Gear Shift Lever - Bent                                |
| 37      | 7390H    | Thrust Bearing Race  | 85      | 8012R    | Gear Shift Cover and Pin                               |
| 38      | 8275H    | Gearcase Gasket  | 86      | 8338S    | Shift Lever-Guide Ball - Keyed                         |
| 39      | 8334G4   | Gearcase and Bearings - L.H. (Inc. Key No. 18, 25, 49, 50 (2), 51 and 52)                              | 87      | 8739H1   | Shift Mechanism Seal                                   |
| 40      | 4002P    | Pipe Plug 1/2 - 14 N.P.T.  | 88      | 4924H    | *Spring  |
| 41      | 4015P    | Elbow 90° - 1/2 - 14 N.P.T.  | 89      | 1502P    | *Washer 1/2 x 5/8 x 16 Ga.                             |
| 42      | 4014P    | Std. Pipe Nipple 1/2 - 14 N.P.T. x 3   | 90      | 8105R    | Shift Mechanism Seal                                   |
| 43      | 8271H    | Oil Seal   | 91      | 1506P    | *Washer 5/16 x 5/16 x 11 Ga.                           |
| 44      | 4001P    | Pipe Plug 1/4 - 18 N.P.T.  | 92      | 743J     | Gear Shift Gate  |
| 45      | 3037P    | *Hex Bolt 5/16 - 18 x 1 - 1/2 Grade 5  | 93      | 8274H    | Shift Ball Cover Gasket                                |
| 46      | 1007P    | Lockwasher 5/16 Extra Heavy  | 94      | 2265P    | *Cover 1 1/2 x 3/4                                     |
|         |          |  | 95      | 1003P    | *Lockwasher 5/16                                       |
|         |          |  | 96      | 2159P    | *Hex Bolt 5/16 - 18 UNC x 7/8                          |
|         |          |  | 97      | 6334B7   | Gear Shift Lever Assy.                                 |
|         |          |  | 98      | 6334B4   | Transaxle Assembly Less Brake Drum & Shift Lever Assy. |

### REPAIR PARTS

ROPER 11 H.P. GARDEN TRACTOR—MODEL NUMBER T12288R  
BRIGGS & STRATTON ENGINE—MODEL NUMBER 252417 TYPE 0130-01

#### CYLINDER AND CRANKCASE

ALL ENGINE PARTS MUST BE PURCHASED THROUGH AND SERVICE PERFORMED BY YOUR LOCAL BRIGGS AND STRATTON DEALER.



### REPAIR PARTS

ROPER 11 H.P. GARDEN TRACTOR—MODEL NUMBER T12288R  
BRIGGS & STRATTON ENGINE—MODEL NUMBER 252417 TYPE 0130-01

#### CYLINDER AND CRANKCASE

| KEY NO. | PART NO. | DESCRIPTION                 | KEY NO. | PART NO. | DESCRIPTION  |
|---------|----------|-----------------------------|---------|----------|--|
| 1       | 212300   | Head, Cylinder              | 45      | 220620   | Washer   |
| 2       | 9372J    | Screw, Cylinder Head        | 46      | 231082   | Nut, Hex No. 10 - 24                               |
| 3       | 66026    | Elbow, Spark Plug           | 47      | 391732   | Lever Assy., Governor (Inc. Key No's. 45, 46 & 61) |
| 4       | 23918    | Plug, Spark                 | 48      | 93306    | Capnut, Hex Pin                                    |
| 5       | 222725   | Cover, Cylinder Head        | 49      | 222950   | Washer, Governor Crank                             |
| 6       | 91180    | Locknut, Nut                | 50      | 231057   | Crank, Governor                                    |
| 7       | 91308    | Elbow, 90° Street           | 51      | 83207    | Governor, "E" Ring                                 |
| 8       | 201395   | Valve, Intake               | 52      | 391737   | Gear, Governor                                     |
| 9       | 261462   | Valve, Intake               | 53      | 221551   | Washer, Valve                                      |
| 10      | 93303    | Retainer, Exhaust Valve     | 54      | 212298   | Gear, Cam  |
| 11      | 210872   | *Gasket, Intake Elbow       | 55      | 261193   | Turret, Valve                                      |
| 12      | 202760   | Screw, Intake Elbow         | 56      | 93418    | Pin, Hex Socket                                    |
| 13      | 20829    | Spring, Exhaust Valve       | 57      | 93895    | Reten., Crankcase Cover                            |
| 14      | 62961    | Spring, Intake Valve        | 58      | 222355   | Washer   |
| 15      | 212301   | Elbow, Intake               | 59      | 93554    | Screw, Plug  |
| 16      | 202760   | Retainer, Intake Valve      | 60      | 201875   | Suit. Oil  |
| 17      | 212306   | *Gasket, Crankcase Mounting | 61      | 391747   | Cover Assy., Crankcase (Inc. Key No. 60)           |
| 18      | 93415    | Screw, Crankcase Mounting   | 62      | 391481   | Counterweight & Bearing Assy.                      |
| 19      | 210297   | *Gasket, Crankcase Mounting | 63      | 210856   | *Gasket, Crankcase                                 |
| 20      | 21823    | *Gasket, Valve Cover        | 64      | 93794    | Screw, Crankcase Cover                             |
| 21      | 301916   | Breather Assy.              | 65      | 68839    | Pin, Fillet  |
| 22      | 280112   | Tube, Breather              | 66      | 93794    | Screw, Crankcase Cover                             |
| 23      | 93394    | Screw, Breather Mfg.        | 67      | 93394    | Retainer, Counterweight                            |
| 24      | 261119   | Spring, Choke Link          | 68      | 222407   | Reten., Counterweight                              |
| 25      | 222552   | Washer, Choke Link          | 69      | 201291   | Screw, Retainer & Cylinder Shield                  |
| 26      | 212656   | Bushing, Governor Crank     | 70      | 222744   | Shaft, Cylinder                                    |
| 27      | 303413   | Link, Governor Crank        | 71      | 92909    | Screw, Connecting Rod                              |
| 28      | 921208   | Link, Governor              | 72      | 222292   | Dupee, Connecting Rod                              |
| 29      | 201289   | Link, Choke                 | 73      | 222299   | Lock, Connecting Rod Screw                         |
| 30      | 931198   | Plate, Governor             | 74      | 222292   | Dupee, Connecting Rod                              |
| 31      | 301523   | Plate, Governor Control     | 75      | 391816   | Rod Assy., Connecting (Inc. Key No's. 71, 72 & 73) |
| 32      | 207412   | Smith, Shoe                 | 76      | 260924   | Lock, Piston Pin                                   |
| 33      | 53459    | Screw, Clamp                | 77      | 391780   | Ring, Seal, Piston                                 |
| 34      | 211855   | Clamp, Cam                  | 78      | 391785   | Piston Assy., Inc. Key No's. 75 & 76)              |
| 35      | 53335    | Screw, Governor Plate       | 79      | 299881   | Pin Assy., Piston (Inc. Key No. 75)                |
| 36      | 92791    | Washer, Lock                | 80      | 392283   | Wash. Oil Filter                                   |
| 37      | 60284    | Collar, Insulating          | 81      | 292421   | Car and Donutck, Oil Filter                        |
| 38      | 90576    | Nut, Hex No. 8 - 32         | 82      | 392295   | Gasket Set   |
| 39      | 60284    | Washer, Insulating          |         |          |  |
| 40      | 93735    | Screw, Terminal             |         |          |  |
| 41      | 181094   | Wax, Grease                 |         |          |  |
| 42      | 206595   | Spring, Governor            |         |          |  |
| 43      | 911602   | Pin, Oil Drain              |         |          |  |
| 44      | 92613    | Bolt, Governor Lever        |         |          |  |

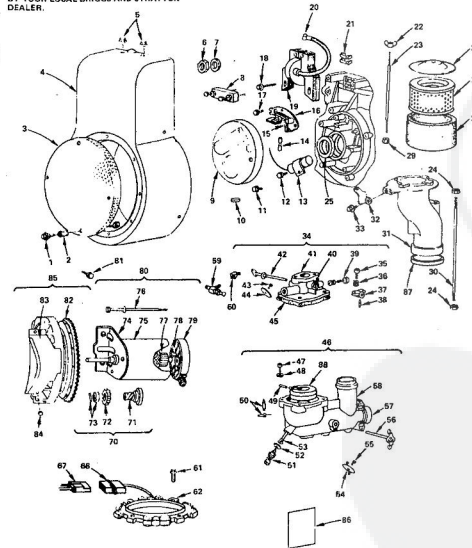
\*INCLUDED IN GASKET SET 293471

### REPAIR PARTS

ROPER 11 H.P. GARDEN TRACTOR—MODEL NUMBER T12288R  
BRIGGS & STRATTON ENGINE—MODEL NUMBER 252417 TYPE 0130-01

#### STARTER, FLYWHEEL & CARBURETOR GROUP

ALL ENGINE PARTS MUST BE PURCHASED THROUGH AND SERVICE PERFORMED BY YOUR LOCAL BRIGGS AND STRATTON DEALER.



### REPAIR PARTS

ROPER 11 H.P. GARDEN TRACTOR—MODEL NUMBER T12288R  
BRIGGS & STRATTON ENGINE—MODEL NUMBER 252417 TYPE 0130-01

#### STARTER, FLYWHEEL & CARBURETOR GROUP

| KEY NO. | PART NO. | DESCRIPTION   | KEY NO. | PART NO. | DESCRIPTION   |
|---------|----------|---|---------|----------|---|
| 1       | 03572    | Screw, Screen   | 46      | 301831   | Carburetor Assy., Inc. Key No's. 47, 48, 49, 50, 51, 52, 53, 54, 55, 56, 57 & 58) |
| 2       | 231187   | Sprocket  | 47      | 90745    | Screw, Machine 10 - 32 x 5/8  |
| 3       | 222627   | Screen, Blower Housing  | 48      | 92290    | Lockwasher No. 10   |
| 4       | 391502   | Housing, Blower   | 49      | 230396   | *Pin, Float Hinge   |
| 5       | 91185    | Screen, Blower Housing  | 50      | 299096   | Valve, Fuel Inlet   |
| 6       | 92284    | Washer, Spring  | 51      | 99525    | *Valve, Needle  |
| 7       | 208655   | Palier, Flywheel  | 52      | 68557    | *Gasket, Needle   |
| 8       | 19203    | Key, Flywheel   | 53      | 390950   | *Nozzle, Carburetor   |
| 9       | 222359   | Cover, Breaker Point  | 54      | 391836   | Valve, Choke  |
| 10      | 61760    | Key, Flywheel   | 55      | 93499    | Screw, Choke Valve  |
| 11      | 93614    | Screw, Cover  | 56      | 391637   | Shaft & Lever, Choke  |
| 12      | 95445    | Screw, Condenser  | 57      | 221747   | Pin, Wedge  |
| 13      | 391792   | Pumper, Breaker Point   | 58      | 298514   | Float, Carburetor   |
| 14      | 92704    | Breaker Assy., Ignition   | 59      | 390303   | Connector & Shoulder Valve  |
| 15      | 20018    | Spring, Breaker Arm   | 60      | 92780    | Elbow, Connector  |
| 16      | 391294   | Screw, Armature Mfg.  | 61      | 93621    | Screw, Starter  |
| 17      | 93226    | Screw, Armature Adjusting   | 62      | 391620   | Stator, Alternator  |
| 18      | 93281    | Screw, Armature Mfg.  | 63      | 393456   | Diode and Conn. Assembly  |
| 19      | 298988   | Armature Assembly   | 64      | 393262   | Airt. Harness Assembly  |
| 20      | 221798   | Terminal, Ignition Cable  | 65      | 393418   | Drive Assy., Starter (Inc. Key No's. 71, 72 & 73)                                 |
| 21      | 221907   | Nut, Wing   | 71      | 391135   | Clutch Assy., Starter   |
| 22      | 93653    | Nut, Wing   | 72      | 280212   | Gear, Starter   |
| 23      | 231124   | Stud, Air Cleaner   | 73      | 391462   | Retainer & Pin Assy.  |
| 24      | 90128    | Nut, Hex 1/4 - 28   | 74      | 391751   | Drive End Cap Assy., Starter  |
| 25      | 201086   | Cap, Air Cleaner  | 75      | 392744   | Housing Assy.   |
| 26      | 222724   | Stud, Air Cleaner   | 76      | 391106   | Thru Bolt Assy.   |
| 27      | 391028   | Element, Air Cleaner  | 77      | 392747   | Armature Assy.  |
| 28      | 210973   | Element, Air Cleaner  | 78      | 390420   | Blush Set   |
| 29      | 92278    | Nut, Hex 1/4 - 20   | 79      | 260946   | Commensurate End Cap  |
| 30      | 231144   | Stud, Air Cleaner Adapter   | 80      | 392749   | Motor, Starting (Inc. Key No's. 74, 75, 76, 77, 78 & 79)                          |
| 31      | 212242   | Adapter, Air Cleaner  | 81      | 93523    | Screw, Drive End Cap  |
| 32      | 22272    | Bracket, Adapter  | 82      | 392134   | Cover, Flawless Ring  |
| 33      | 90468    | Screw, Adapter Bracket  | 83      | 391629   | Cover & Shield, Starter   |
| 34      | 301833   | Body Assy., Upper Carburetor (Inc. Key No's. 25, 30, 37, 38, 39, 40, 41, 42, 43, 44 & 45) | 84      | 93410    | Screw, Starter Cover  |
| 35      | 91920    | Screw, B - 32 x 5/8   | 85      | 391988   | Flywheel & Ring Gear Assy., Inc. Key No's. 82, 83 & 84)                           |
| 36      | 28157    | Spring, Throttle Adjustment   | 86      | 210856   | Carburetor Overhaul Kit   |
| 37      | 61987    | Pin, Throttle Stop  | 87      | 210856   | Gasket, Air Cleaner Adapter to Carburetor   |
| 38      | 93043    | *Valve Assy., Carburetor Idle   | 88      | 298514   | Float, Carburetor   |
| 39      | 292681   | Stop, Throttle  |         |          |   |
| 40      | 23108    | Bushing, Throttle Shaft   |         |          |   |
| 41      | 298759   | Block, Upper Carburetor   |         |          |   |
| 42      | 391596   | Shaft & Lever, Throttle   |         |          |   |
| 43      | 93495    | Screw, Throttle Valve   |         |          |   |
| 44      | 221839   | Screw, Throttle   |         |          |   |
| 45      | 270268   | *Gasket, Carburetor Body  |         |          |   |

\*INCLUDED IN GASKET SET NO. 293421

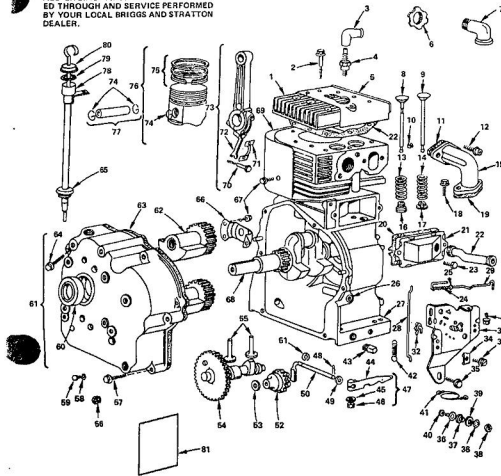
\*INCLUDED IN CARBURETOR OVERHAUL KIT 391071

### REPAIR PARTS

ROPER 11 H.P. GARDEN TRACTOR-MODEL NUMBER T1228AR  
BRIGGS & STRATTON ENGINE-MODEL NUMBER 252417 TYPE 0130-01

#### CYLINDER AND CRANKCASE

ALL ENGINE PARTS MUST BE PURCHASED THROUGH AND SERVICE PERFORMED BY YOUR LOCAL BRIGGS AND STRATTON DEALER.



### REPAIR PARTS

ROPER 11 H.P. GARDEN TRACTOR-MODEL NUMBER T1228AR  
BRIGGS & STRATTON ENGINE-MODEL NUMBER 252417 TYPE 0130-01

#### CYLINDER AND CRANKCASE

| KEY NO. | PART NO. | DESCRIPTION                       | KEY NO. | PART NO. | DESCRIPTION                                       |
|---------|----------|-----------------------------------|---------|----------|---|
| 1       | 212300   | Head, Cylinder                    | 45      | 220680   | Washer  |
| 2       | 93723    | Screw, Cylinder Head              | 46      | 221022   | Nut, Hex No. 10 - 24                              |
| 3       | 86638    | Elbow, Spark Plug                 | 47      | 391732   | Lever Ass'y, Governor (Inc. Key No's 44, 45 & 46) |
| 4       | 220918   | Pin, Spark                        | 48      | 93206    | Cotter, Main Pin                                  |
| 5       | 222725   | Cover, Cylinder Head              | 49      | 222450   | Washer, Governor Crank                            |
| 6       | 91210    | Locknut, Nut                      | 50      | 221027   | Crank, Governor                                   |
| 7       | 91308    | Elbow, 90° Street                 | 51      | 93307    | Retainer, "E" Ring                                |
| 8       | 201189   | Valve, Exhaust                    | 52      | 391137   | Red Assy, Governor                                |
| 9       | 261462   | Valve, Intake                     | 53      | 221551   | Washer, Thrust                                    |
| 10      | 93830    | Retainer, Exhaust Valve           | 54      | 221258   | Gear, Cam   |
| 11      | 220872   | "Gasket, Intake Elbow             | 55      | 261183   | Tappet, Valve                                     |
| 12      | 93208    | Spring, Intake Valve              | 56      | 93815    | Pin, Hex Socket                                   |
| 13      | 93828    | Spring, Exhaust Valve             | 57      | 93885    | Screw, Crankcase Cover                            |
| 14      | 95906    | Spring, Intake Valve              | 58      | 222956   | Washer  |
| 15      | 212301   | Elbow, Intake                     | 59      | 93554    | Screw, Plug                                       |
| 16      | 222260   | Retainer, Intake Valve            | 60      | 201075   | Stud, Oil   |
| 17      | 221566   | Retainer, Exhaust Valve           | 61      | 391747   | Gover. Ass'y, Crankcase (Inc. Key No. 40)         |
| 18      | 93415    | Screw, Carburetor Mounting        | 62      | 391481   | Counterweight & Bearing Ass'y.                    |
| 19      | 220657   | "Gasket, Carburetor Mounting      | 63      | 220856   | "Gasket, Crankcase                                |
| 20      | 220803   | "Gasket, Valve Cover              | 64      | 93796    | Screw, Crankcase Cover                            |
| 21      | 391575   | Breather Ass'y.                   | 65      | 68838    | Seat, Filter Tube                                 |
| 22      | 280112   | Tube, Breather                    | 66      | 222407   | Retainer, Counterweight                           |
| 23      | 93294    | Screw, Breather Mtg.              | 67      | 93294    | Screw, Retainer & Cylinder Shield                 |
| 24      | 261119   | Tube, Choke Link                  | 68      | 261291   | Camshaft  |
| 25      | 222252   | Washer, Choke Link                | 69      | 222744   | Shield, Cylinder                                  |
| 26      | 221065   | Bushing, Governor Crank           | 70      | 93299    | Screw, Connecting Rod                             |
| 27      | 393413   | Cylinder Ass'y. (Inc. Key No. 25) | 71      | 222259   | Lock, Connecting Rod Screw                        |
| 28      | 261235   | Link, Choke                       | 72      | 222222   | Dupper, Connecting Rod                            |
| 29      | 261289   | Link, Choke                       | 73      | 391815   | Rod Assy, Connecting                              |
| 30      | 93156    | Screw, Governor Plate             | 74      | 260924   | Lock, Piston Pin                                  |
| 31      | 391833   | Plate, Governor Control           | 75      | 391780   | Ring Set, Piston                                  |
| 32      | 297472   | Switch, Stop                      | 76      | 391295   | Pin Ass'y. (Inc. Key No's 75 & 76)                |
| 33      | 93469    | Screw, Clamp                      | 77      | 262591   | Pin Ass'y., Piston (Inc. Key No. 75)              |
| 34      | 221535   | Clamp, Casing                     | 78      | 282253   | Ring, Oil Filter Cap                              |
| 35      | 221536   | Screw, Governor Plate             | 79      | 282253   | Ring, Oil Filter Cap                              |
| 36      | 92701    | Washer, Lock                      | 80      | 392226   | Cap and Distock, Oil Filter                       |
| 37      | 66654    | Cap, Insulating                   | 81      | 202421   | Gasket Set  |
| 38      | 90676    | Nut, Hex No. 8 - 32               |         |          |   |
| 39      | 66654    | Cap, Insulating                   |         |          |   |
| 40      | 93735    | Screw, Terminal                   |         |          |   |
| 41      | 291802   | Wiring, Ground                    |         |          |   |
| 42      | 260208   | Spring, Governor                  |         |          |   |
| 43      | 91084    | Plug, Oil Drain                   |         |          |   |
| 44      | 92013    | Ball, Governor Lever              |         |          |   |

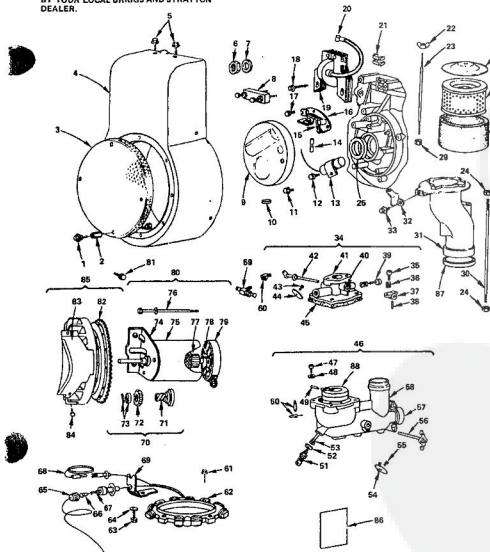
\*INCLUDED IN GASKET SET 202421

### REPAIR PARTS

ROPER 11 H.P. GARDEN TRACTOR-MODEL NUMBER T1228AR  
BRIGGS & STRATTON ENGINE-MODEL NUMBER 252417 TYPE 0130-01

#### STARTER, FLYWHEEL & CARBURETOR GROUP

ALL ENGINE PARTS MUST BE PURCHASED THROUGH AND SERVICE PERFORMED BY YOUR LOCAL BRIGGS AND STRATTON DEALER.



### REPAIR PARTS

ROPER 11 H.P. GARDEN TRACTOR-MODEL NUMBER T1228AR  
BRIGGS & STRATTON ENGINE-MODEL NUMBER 252417 TYPE 0130-01

#### STARTER, FLYWHEEL & CARBURETOR GROUP

| KEY NO. | PART NO. | DESCRIPTION   | KEY NO. | PART NO. | DESCRIPTION   |
|---------|----------|---|---------|----------|---|
| 1       | 93572    | Screw, Screen   | 48      | 391831   | Carburetor Ass'y. (Inc. Key No's 47, 48, 49, 50, 51, 52, 53, 54, 55, 56, 57 & 58) |
| 2       | 231187   | Spacer  | 49      | 90748    | Screw, Machine 10 - 32 x 5/8  |
| 3       | 222697   | Screen, Blower Housing  | 46      | 92290    | Lidwasher No. 10  |
| 4       | 291502   | Housing, Blower   | 47      | 220898   | +Pin, Float Hinge   |
| 5       | 93158    | Screen, Blower Housing  | 50      | 220908   | +Valve, Fuel Inlet  |
| 6       | 92284    | Nut, Hex  | 51      | 95525    | +Valve, Needle  |
| 7       | 220865   | Washer, Spring  | 52      | 68587    | +Gasket, Nozzle   |
| 8       | 192503   | Pulley, Flywheel  | 53      | 390950   | +Nozzle, Carburetor   |
| 9       | 220865   | Washer, Spring  | 54      | 391636   | Valve, Choke  |
| 10      | 61760    | Key, Flywheel   | 55      | 34489    | Spring, Choke Valve   |
| 11      | 93014    | Screw, Cover  | 56      | 391637   | Shaft & Lever, Choke  |
| 12      | 93042    | Screw, Cover  | 57      | 221747   | Pin, Wash   |
| 13      | 261799   | Condenser   | 58      | 268514   | Float, Carburetor   |
| 14      | 66704    | Pulley, Breaker Point   | 59      | 392823   | Connector & Shut-off Valve  |
| 15      | 26018    | Spring, Breaker Arm   | 60      | 92780    | Elbow, Connector  |
| 16      | 391394   | Breaker Ass'y., Ignition  | 61      | 932571   | Screw, Stator   |
| 17      | 93226    | Screw, Breaker Adjusting  | 62      | 391520   | Stator, Alternator  |
| 18      | 93261    | Screw, Armature Mtg.  | 63      | 93398    | Screw, Bracket  |
| 19      | 298908   | Armature Assembly   | 64      | 390888   | Knob Ass'y., Fuse   |
| 20      | 221798   | Terminal, Ignition Cable  | 65      | 391027   | Diode, Alternator   |
| 21      | 221907   | Clip, Wire  | 66      | 261299   | Spring, Diode   |
| 22      | 34843    | Nut, Wing   | 67      | 260827   | Wire Ass'y., Alternator   |
| 23      | 221124   | Stud, Air Cleaner   | 68      | 222211   | Bracket, Output   |
| 24      | 95129    | Nut, Hex 1/4 - 28   | 69      | 393418   | Wire Ass'y., Starter (Inc. Key No's 71, 72 & 73)                                  |
| 25      | 391686   | Seal, Oil   | 70      | 392426   | Brush Set   |
| 26      | 222724   | Cup, Air Cleaner  | 71      | 391135   | Clutch Ass'y., Starter  |
| 27      | 292295   | Cartridge, Air Cleaner  | 72      | 282212   | Gear, Starter   |
| 28      | 220973   | Element, Air Cleaner  | 73      | 391462   | Retainer & Pin Ass'y.   |
| 29      | 22279    | Nut, Hex 1/4 - 20   | 74      | 391751   | Drive End Cap Ass'y., Starter   |
| 30      | 221144   | Stud, Air Cleaner Adapter   | 75      | 392744   | Housing Ass'y.  |
| 31      | 222222   | Bracket, Adapter  | 76      | 391205   | Thru Bolt Ass'y.  |
| 32      | 222722   | Screw, Adapter Bracket  | 77      | 392747   | Armature Ass'y.   |
| 33      | 93469    | Bracket, Adapter  | 78      | 392426   | Brush Set   |
| 34      | 391633   | Body Ass'y., Upper Carburetor (Inc. Key No's 36, 38, 37, 38, 39, 40, 41, 42, 43, 44 & 45) | 79      | 392945   | Commutator End Cap  |
| 35      | 91920    | Screw 8 - 32 x 5/8  | 80      | 392749   | Motor, Starter (Inc. Key No's 74, 75, 76, 77, 78 & 79)                            |
| 36      | 33157    | Spring, Throttle Adjustment   | 81      | 93523    | Screw, Drive End Cap  |
| 37      | 61867    | Stop, Throttle  | 82      | 392134   | Gear, Flywheel Ring   |
| 38      | 92043    | Pin, Throttle Stop  | 83      | 391629   | Cover & Shield, Starter   |
| 39      | 292681   | +Valve Ass'y., Carburetor Jet   | 84      | 93410    | Screw, Starter Cover  |
| 40      | 22106    | Bushing, Throttle Shaft   | 85      | 391888   | Flywheel & Ring Gear Ass'y. (Inc. Key No's 82, 83 & 84)                           |
| 41      | 268759   | Body, Upper Carburetor  | 86      | 391071   | Gasket, Air Cleaner Adapter to Carburetor   |
| 42      | 391595   | Shaft & Lever, Throttle   | 87      | 220898   | Gasket, Air Cleaner Adapter to Carburetor   |
| 43      | 93469    | Screw, Throttle Valve   | 88      | 299514   | Float, Carburetor   |
| 44      | 221939   | Valve, Throttle   |         |          |   |
| 45      | 220268   | +Gasket, Carburetor Body  |         |          |   |

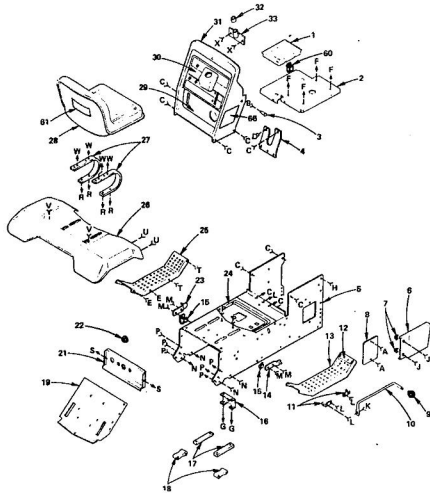
\*INCLUDED IN GASKET SET NO. 393421

\*INCLUDED IN CARBURETOR OVERHAUL KIT 391071



**REPAIR PARTS**

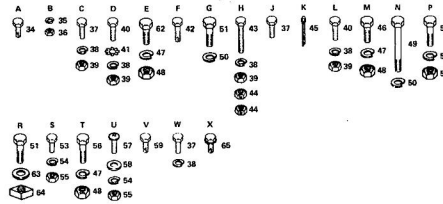
ROPER 14 H.P. GARDEN TRACTOR-MODEL NUMBER T4328AR  
CHASSIS, FENDER & DASHBOARD



**REPAIR PARTS**

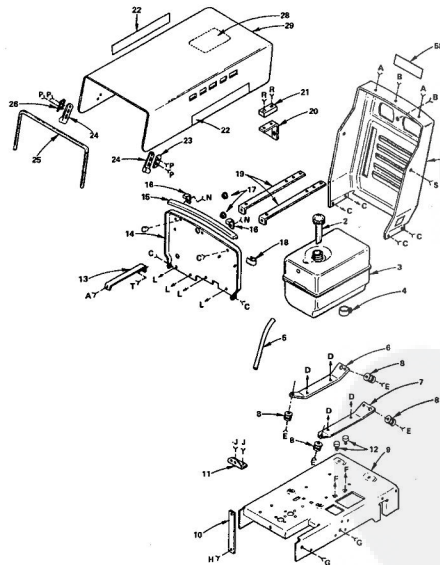
ROPER 14 H.P. GARDEN TRACTOR-MODEL NUMBER T4328AR  
CHASSIS, FENDER & DASHBOARD

| KEY NO. | PART NO. | DESCRIPTION  | KEY NO. | PART NO. | DESCRIPTION   |
|---------|----------|--|---------|----------|---|
| 1       | 885SR    | Battery Tray   | 36      | 505P     | *Hex Nut No. 10 - 24 UNC  |
| 2       | 8797R    | Tank & Battery Support                                   | 37      | 3003P    | *Hex Bolt 5/16 - 18 UNC x 5/8                                     |
| 3       | 8798R    | Hood Latch Pin   | 38      | 1003P    | *Lockwasher 5/16  |
| 4       | 8792R    | Tank & Battery Support Brace                             | 39      | 504P     | *Hex Nut 5/16 - 18 UNC  |
| 5       | 8608R    | Chassis Channel  | 40      | 3010P    | *Hex Bolt 5/16 - 18 UNC x 3/4                                     |
| 6       | 8791R    | Engine Fuel Cover  | 41      | 1403P    | *Ext. Tooth Lockwasher 5/16                                       |
| 7       | 8918R    | Nut Retainer   | 42      | 9503P    | Hex Head Thread Cutting Screw 5/16 - 18 UNC x 1 1/2 Type 23       |
| 8       | 8600R    | Channel Access Cover                                     | 43      | 3373P    | Hex Bolt 5/16 - 18 UNC x 1 - 1/2 Full Thd                         |
| 9       | 6394H    | Control Knob   | 44      | 1889H    | Locknut 5/16  |
| 10      | 8758R    | Range Shift Rod  | 45      | 2511P    | *Cotter Pin 3/16 x 1  |
| 11      | 8818R    | Range Shift Rod Bracket                                  | 46      | 3023P    | *Hex Bolt 3/8 - 16 UNC x 7/8                                      |
| 12      | 8900R    | Decal - Attachment Clutch                                | 47      | 1004P    | *Lockwasher 3/8   |
| 13      | 8940R    | Foot Rest - R.H.   | 48      | 501P     | *Hex Nut 3/8 - 16 UNC   |
| 14      | 673A33   | Suspension Arm Bracket Weldment - R.H.                   | 49      | 3155P    | Hex Bolt 7/16 - 14 UNC x 2 - 1/4                                  |
| 15      | 2751R    | Clip - Fuel Line   | 50      | 1001P    | *Lockwasher 7/16  |
| 16      | 8628R    | Transaxle Bracket  | 51      | 3034P    | Hex Bolt 7/16 - 14 UNC x 1  |
| 17      | 155J     | Seat Spring Lock Plate                                   | 52      | 509P     | *Hex Bolt 1/4 - 20 UNC x 1/2                                      |
| 18      | 8248R    | Transaxle Spacer   | 53      | 114P     | *Lockwasher 1/4   |
| 19      | 673A65   | Drawbar Assembly   | 54      | 1002P    | *Hex Nut 1/4 - 20 UNC   |
| 20      | 237J     | Chassis Channel Cover                                    | 55      | 3023P    | *Hex Bolt 3/8 - 16 UNC x 1  |
| 21      | 3807R    | Universal Bushing  | 56      | 3023P    | *Hex Bolt 3/8 - 16 UNC x 1  |
| 22      | 673A38   | Suspension Arm Bracket Weldment - L.H.                   | 57      | 3358P    | *Cross Recess Truss Head Machine Screw 1/4 - 20 UNC x 5/8 - 16 Ga |
| 23      | 8888R    | Decal - Shift Pattern                                    | 58      | 1508P    | Hex Head Thread Cutting Screw 5/16 - 18 UNC x 1/2 Type 23         |
| 24      | 8641R    | Foot Rest - L.H.   | 59      | 5600P    | *Washer 9/32 x 5/8 - 16 Ga  |
| 25      | 8500R    | Fender   | 60      | 4171R    | Hex Head Thread Cutting Screw 5/16 - 18 UNC x 1/2 Type 23         |
| 26      | 8768R    | Seat   | 61      | 245J     | Decal - Roper   |
| 27      | 472J     | Seat   | 62      | 3021P    | *Hex Bolt 3/8 - 16 UNC x 3/4                                      |
| 28      | 199J     | Decal - Lower Dashboard                                  | 63      | 193P     | *Washer 15/32 x 5/8 x 10 Ga                                       |
| 29      | 192J     | Decal - Upper Dashboard                                  | 64      | 868P     | Sawtooth Nut 7/16 - 14 UNC  |
| 30      | 163J     | Dashboard  | 65      | 5606P    | Hex Washer Hd. Thrd. Cutting Screw 1/4 - 20 UNC x 1/2 Type 23     |
| 31      | 8038R    | Brake  | 66      | 244J     | Decal - 14 H.P.   |
| 32      | 673A66   | Steering Bracket & Bearing (Inc. Key No. 23)             | ---     | 912J     | Warranty - Fac Tag  |
| 33      | 5699P    | Hex Head Thread Cutting Screw 1/4 - 20 UNC x 1/2 Type 23 | ---     | 236J     | Owner's Manual  |
| 34      | 1006P    | Lockwasher No. 10  | ---     | ---      | *STANDARD HARDWARE-PURCHASE LOCALLY                               |



**REPAIR PARTS**

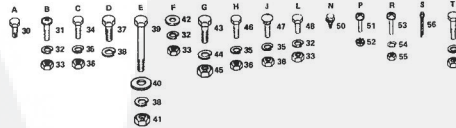
ROPER 14 H.P. GARDEN TRACTOR-MODEL NUMBER T4328AR  
ENGINE MOUNT, HOOD & GRILL



**REPAIR PARTS**

ROPER 14 H.P. GARDEN TRACTOR-MODEL NUMBER T4328AR  
ENGINE MOUNT, HOOD & GRILL

| KEY NO. | PART NO. | DESCRIPTION  | KEY NO. | PART NO. | DESCRIPTION  |
|---------|----------|--|---------|----------|--|
| 1       | 8655R    | Grill  | 33      | 803P     | *Hex Nut 1/4 - 20 UNC                                      |
| 2       | 8893R    | Fuel Gauge   | 34      | 3008P    | *Hex Bolt 5/16 - 18 UNC x 5/8                              |
| 3       | 36J      | Fuel Tank  | 35      | 1003P    | *Lockwasher 5/16   |
| 4       | 8877R    | Hose Clamp   | 36      | 504P     | *Hex Nut 5/16 - 18 UNC                                     |
| 5       | 8605R    | Fuel Line - Overflow   | 37      | 3022P    | *Hex Bolt 3/8 - 16 UNC x 7/8                               |
| 6       | 8300R    | Engine Isolator Mounting Bracket - L.H.                          | 38      | 1004P    | *Lockwasher 3/8  |
| 7       | 8305R    | Engine Isolator Mounting Bracket - R.H.                          | 39      | 3238P    | Hex Bolt Full Thread 3/8 - 16 UNC 2 - 1/4                  |
| 8       | 673A124  | 88-Mount Assy  | 40      | 1589P    | Washer 13/32 x 1 - 1/4 x 12 Ga.                            |
| 9       | 673A176  | Engine Base Weldment   | 41      | 501P     | *Hex Nut 3/8 - 16 UNC                                      |
| 10      | 8818R    | Engine Base Brace  | 42      | 1506P    | *Washer 9/32 x 5/8 x 16 Ga.                                |
| 11      | 8900R    | Safety Switch Bracket  | 43      | 3034P    | Hex Bolt 7/16 - 14 UNC x 1                                 |
| 12      | 9394R    | Snubber Mount  | 44      | 1001P    | *Lockwasher 7/16   |
| 13      | 8705R    | Dashboard Brace  | 45      | 500P     | *Hex Nut 7/16 - 14 UNC                                     |
| 14      | 8784R    | Heat Shield  | 46      | 3010P    | *Hex Bolt 5/16 - 18 UNC x 3/4                              |
| 15      | 8928R    | Sealing Strip  | 47      | 16P      | *Std. Neck Carriage Bolt 5/16 - 18 UNC x 3/4               |
| 16      | 8934R    | Sealing Strip Clamp  | 48      | 3114P    | *Hex Bolt 1/4 - 20 UNC x 1/2                               |
| 17      | 8151R    | Snub Bushing   | 49      | 5601P    | Hex Washer Head Sheet Metal Screw No. 10 x 3/8 Type AB     |
| 18      | 4171R    | Insulated Clip   | 50      | 9601P    | Hex Washer Head Sheet Metal Screw No. 10 - 24 UNC x 1/2    |
| 19      | 8781R    | Grill Brace  | 51      | 3320P    | *Keps Nut No. 10 - 24 UNC                                  |
| 20      | 8923R    | Grill Bracket  | 52      | 3003P    | *Cross Recess Pan Head Machine Screw No. 10 - 24 UNC x 3/4 |
| 21      | 9042P    | Rubber Bumper  | 53      | 3003P    | *Cross Recess Pan Head Machine Screw No. 10 - 24 UNC x 3/4 |
| 22      | 242J     | Decal - Roper  | 54      | 1009P    | *Lockwasher No. 10   |
| 23      | 8928R    | Hood Latch Cover - R.H.  | 55      | 505P     | *Hex Nut No. 10 - 24 UNC                                   |
| 24      | 8888R    | Hood Latch Cover - L.H.  | 56      | 2503P    | *Cotter Pin 3/32 x 3/16                                    |
| 25      | 8037P    | Hood Strip   | 57      | 3011P    | *Hex Bolt 5/16 - 18 UNC x 1                                |
| 26      | 8015R    | Hood Latch Cover - L.H.  | 58      | 295J     | Decal - Roper Logo   |
| 27      | 8028R    | Decal - Maintenance  | ---     | ---      | ---  |
| 28      | 673A163  | Hood Pin   | ---     | ---      | ---  |
| 29      | 6600P    | Hex Washer Head Thread Cutting Screw 5/16 - 18 UNC x 1/2 Type 23 | ---     | ---      | ---  |
| 30      | 6600P    | *Cross Recess Truss Head Machine Screw 1/4 - 20 UNC x 3/4        | ---     | ---      | ---  |
| 31      | 3077P    | Lockwasher 1/4   | ---     | ---      | ---  |
| 32      | 1002P    | Lockwasher 1/4   | ---     | ---      | ---  |

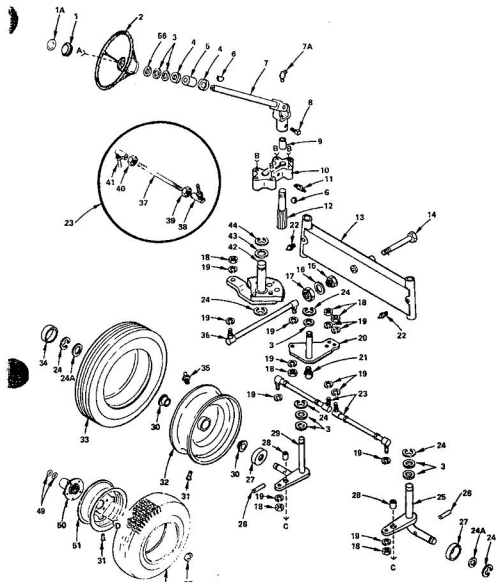




### REPAIR PARTS

ROPER 14 H.P. GARDEN TRACTOR-MODEL NUMBER T4328AR

#### STEERING AND FRONT AXLE

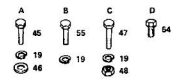


### REPAIR PARTS

ROPER 14 H.P. GARDEN TRACTOR-MODEL NUMBER T4328AR

#### STEERING AND FRONT AXLE

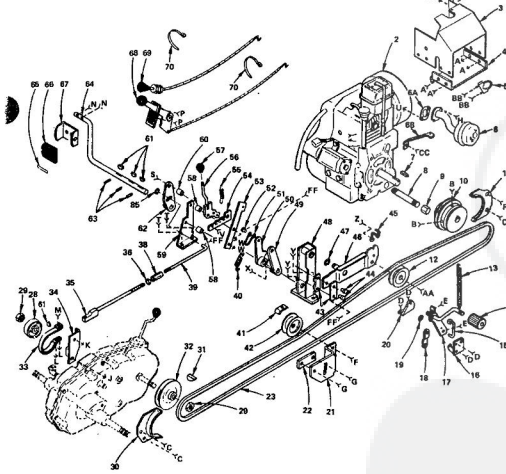
| KEY NO. | PART NO. | DESCRIPTION                                 | KEY NO. | PART NO. | DESCRIPTION                          |
|---------|----------|---|---------|----------|--------------------------------------|
| 1       | 9719R    | Steering Wheel Cap                          | 29      | 673A19   | Spindle Weldment - L.H.              |
| 1A      | 225J     | Direct Steering Wheel Cap                   | 30      | 6640R    | Flange Bearing                       |
| 2       | 2044R    | Steering Wheel                              | 31      | 795A     | Line Valve                           |
| 3       | 1522P    | Washer 49/64 x 1 - 1/4 x 16 Ga.             | 32      | 3636R    | Front Wheel (Inc. Key No's 20 & 29)  |
| 4       | 9007H    | Cap - Steering Tube                         | 33      | 2936R    | Front Tire - Tubular 16 x 6.50 - 8   |
| 5       | 5949H    | Rubber Bushing                              | 34      | 2118R    | Dust Cap                             |
| 6       | 9258M1   | Woodruff Key                                | 35      | 6659M    | Grease Fitting                       |
| 7       | 9822R    | U-Joint (Inc. Key No. 7A)                   | 36      | 8865R    | Steering Drag Link                   |
| 7A      | 5027R    | Grease Fitting                              | 37      | 673A20   | Tie Rod (Inc. Key No's 39 & 40)      |
| 8       | 4505P    | Sp. Hd. Set Screw 3/8 - 10 UNC x 1/2        | 38      | 8922R    | Tie Rod Joint - L.H. Thread          |
| 9       | 181J     | Turn Joint Spacer                           | 39      | 547P     | *Hex Jam Nut 3/8 - 24 UNF - L.H.     |
| 10      | 8839R    | Steering Support Bracket                    | 40      | 546P     | *Hex Jam Nut 3/8 - 24 UNF            |
| 11      | 6842M    | Steering Pinion                             | 41      | 8521R    | Tie Rod Joint - R.H. Thread          |
| 12      | 157J     | Grease Fitting                              | 42      | 673A17   | Steering Sector Assy.                |
| 13      | 673A20   | Front Axle Weldment                         | 43      | 1563P    | Washer 57/64 x 1 - 1/4 x 16 Ga.      |
| 14      | 8916R    | *Washer 21/32 x 1 - 5/16 x 13 Ga.           | 44      | 6017P    | E-Ring                               |
| 15      | 156J     | Shoulder Nut                                | 45      | 3022P    | *Hex Bolt 3/8 - 16 UNC x 1           |
| 16      | 1503P    | *Washer 17/32 x 1 - 5/16 x 13 Ga.           | 46      | 1577P    | *Hex Bolt 3/8 - 16 UNC x 1 - 3/4     |
| 17      | 522P     | Hex Jam Nut 3/8 - 11 UNC                    | 47      | 3028P    | *Hex Bolt 3/8 - 16 UNC x 1 - 3/4     |
| 18      | 515P     | *Hex Nut 3/8 - 24 UNF                       | 48      | 5017P    | *Hex Bolt 3/8 - 16 UNC               |
| 19      | 1004P    | *Lockwasher 3/8                             | 49      | 7583R    | Axle Thru Nut Washers                |
| 20      | 673A20   | Steering Ball Crank Weldment                | 50      | 65A4822  | Wheel Hub and Bushing                |
| 21      | 6653M    | Grease Fitting                              | 51      | 3636R    | Rear Wheel                           |
| 22      | 6652M    | Grease Fitting                              | 52      | 3786R    | Rear Tire - Tubular 23.0 x 8.50 - 12 |
| 23      | 673A15   | Steering Tie Rod (Inc. Key No's 37 thru 41) | 53      | 6849R    | E-Ring                               |
| 24      | 1569P    | Washer 49/64 x 1 - 5/8 x 16 Ga.             | 54      | 1204H    | Hub Bolt                             |
| 25      | 673A20   | Spindle Weldment - R.H.                     | 55      | 3022P    | *Hex Bolt 3/8 - 16 UNC x 7/8         |
| 26      | 9258R    | Woodruff Key                                | 56      | 1591H    | *Hex Bolt 3/8 - 16 UNC x 21 GA       |
| 27      | 8788R    | Dust Cup - Inner                            |         |          | *STANDARD HARDWARE-PURCHASE LOCALLY  |
| 28      | 8807H    | Bushing - Steering Stop                     |         |          |                                      |



### REPAIR PARTS

ROPER 14 H.P. GARDEN TRACTOR-MODEL NUMBER T4328AR

#### CLUTCH-BRAKE & DRIVE

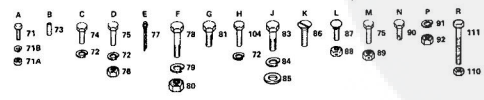


### REPAIR PARTS

ROPER 14 H.P. GARDEN TRACTOR-MODEL NUMBER T4328AR

#### CLUTCH-BRAKE & DRIVE

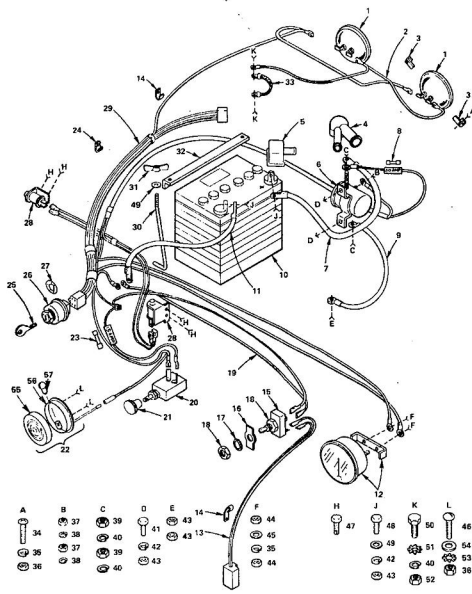
| KEY NO. | PART NO. | DESCRIPTION                           | KEY NO. | PART NO. | DESCRIPTION   |
|---------|----------|---------------------------------------|---------|----------|---|
| 2       | CH140    | Engine - 14 H.P. Tecumseh             | 63      | 2228M    | Woodruff Key 3/16 x 3/4 H.T.  |
| 3       | 15020R   | Heat Deflector - Upper                | 64      | 8635R    | Roll Pin  |
| 4       | 8568R    | Heat Deflector - Lower                | 65      | 6142H    | Roll Pin  |
| 5       | 673A75   | Muffler Clamp (Inc. Key No's 72 & 76) | 66      | 6760R    | Foot Pedal Shaft  |
| 6       | 421J     | Muffler                               | 67      | 8887R    | Inert - Clutch-Brake  |
| 6A      | 2049R    | Muffler Gasket                        | 68      | 8699R    | Foot Pedal  |
| 6B      | 9223P    | Exhaust Pipe Flange                   | 69      | 6769R    | Foot Pedal Bracket  |
| 7       | 9096E    | Oil Drain Pipe 3/8 - 18 NPT x 3 - 1/2 | 69      | 8269R    | Throttle Control  |
| 8       | 4011P    | Drain Pipe Cap 3/8 - 18 NPT           | 70      | 8108R    | Cable Tie   |
| 9       | 673A28   | Engine Pulley & Set Screws            | 71      | 9218P    | *Hex Nut Socket Head Stud Screw 3/8 - 1/2                             |
| 11      | 164J     | Eng. Key No. 21                       | 71A     | 666P     | *Hex Nut No. 10 - 24 UNC  |
| 12      | 8968R    | Belt Idler - V Groove                 | 71B     | 1089P    | *Lockwasher No. 10  |
| 13      | 8969R    | Spring - Mower Clutch                 | 71C     | 1083P    | *Lockwasher 5/16  |
| 14      | 8968R    | Adjustment Pad Cover                  | 72      | 4546P    | *Hex Forged Socket Headless Set Screw 5/16 - 18 UNC x 1/2             |
| 15      | 9268R    | Clutch Spring Hanger                  | 74      | 3069P    | *Hex Bolt 5/16 - 18 UNC x 5/8   |
| 16      | 673A105  | Clutch Lever Bracket Assy.            | 76      | 604P     | *Hex Bolt 5/16 - 18 UNC x 3/4   |
| 17      | 673A106  | Clutch Lever Weldment                 | 77      | 5006P    | *Caster Pin 1/8   |
| 18      | 8827R    | Retaining Ring                        | 78      | 3636P    | *Hex Bolt 7/16 - 14 UNC x 1 - 1/2                                     |
| 19      | 8828R    | Clutch Bracket - Inner                | 79      | 1001P    | *Lockwasher 7/16  |
| 21      | 8828R    | Flat Idler Bracket                    | 80      | 600P     | *Hex Bolt 7/16 - 14 UNC   |
| 22      | 8719R    | Idler Bracket Lock Plate              | 81      | 8221P    | *Hex Bolt 3/8 - 18 UNC x 3/4  |
| 23      | 8845R    | Ground Drive Belt                     | 83      | 3022P    | *Hex Bolt 3/8 - 16 UNC x 7/8  |
| 24      | 214J     | Clutch Drum                           | 84      | 1046P    | *Lockwasher 3/8   |
| 25      | 9204H    | Locknut 1/2 - 20 UNF                  | 85      | 1813P    | Washer 13/32 x 13/16 x 16 Ga.   |
| 26      | 8829R    | Transaxle Pulley Belt Guide           | 85      | 3164P    | Undercut Flat Head Mach. Screw 3/8 - 16 UNC x 3/4                     |
| 31      | 8858M1   | Woodruff Key                          | 87      | 10P      | *Sp. Neck Carriage Bolt 1/4 - 20 UNC x 1/2                            |
| 32      | 8847H    | Brake Band Assy.                      | 88      | 1605H    | Locknut 1/4 - 20 UNC  |
| 34      | 673A23   | Brake Bracket Weldment                | 89      | 1825H    | *Lockwasher 5/16 - 18 UNC   |
| 35      | 673A24   | Brake Rod Assy.                       | 90      | 8589P    | *Hex Hd. Thread Cutting Screw 1/4 - 20 UNC x 1/2 Type 23              |
| 36      | 546P     | *Hex Nut 3/8 - 18 UNC                 | 91      | 1002P    | *Lockwasher 1/4   |
| 38      | 6417H    | Turnbuckle                            | 92      | 603P     | *Hex Bolt 1/4 - 20 UNC  |
| 39      | 8829R    | Brake Rod - Front                     | 94      | 3275P    | *Hex Bolt 5/16 - 18 UNC x 1 Grade 5                                   |
| 40      | 8969R    | Spring                                | 94      | 1506P    | *Washer 5/16 x 3/4 x 16 Ga.   |
| 41      | 8829R    | Wipe Rod                              | 96      | 3156P    | *Hex Bolt 5/16 - 18 UNC x 7/8   |
| 42      | 8829H    | Belt Idler - Flat                     | 97      | 1575P    | *Washer 11/32 x 17/16 x 16 Ga.  |
| 43      | 8815R    | Clutch Arm Link                       | 98      | 3003P    | *Hex Bolt 1/4 - 20 UNC x 3/4  |
| 44      | 8912R    | Drilled Flat Head Rivet               | 100     | 1055P    | Washer 3/32 x 1 - 1/4 x 16 Ga.  |
| 45      | 8848R    | V - Idler Belt Guide                  | 101     | 8502P    | Cross Rees Truss Head Thread Cutting Screw 1/4 - 20 UNC x 1/2 Type 22 |
| 46      | 673A162  | Belt Idler Bracket Weldment           | 102     | 3022P    | *Hex Bolt 3/8 - 16 UNC x 1 - 1/2                                      |
| 47      | 5017P    | *Hex Bolt 3/8 - 16 UNC                | 103     | 801H     | *Hex Bolt 5/16 - 18 UNC   |
| 48      | 673A21   | Belt Idler Support Assy.              | 104     | 3010P    | *Hex Bolt 5/16 - 18 UNC x 3/4 G. 5                                    |
| 49      | 8827R    | Clutch Drum                           | 105     | 6546P    | *Hex Head Self-Tapping Screw No. 10 x 3/8 Type 22                     |
| 50      | 8828R    | Safety Switch Arm                     | 106     | 1804P    | *Hex Washer Head Sheet Metal Screw No. 12 x 1/2 Type 48               |
| 51      | 8828R    | Safety Switch Arm                     | 107     | 5503P    | *Hex Washer Head Sheet Metal Screw No. 12 x 1/2 Type 48               |
| 52      | 8911R    | Drilled Flat Head Rivet               | 108     | 1566P    | Washer 1/4 x 9/16 x 16 Ga.  |
| 53      | 9220R    | Parking Brake Lock Bracket            | 109     | 2056P    | Center Nut 1/8 - 204  |
| 54      | 1068J    | Parking Brake Lock Bar                | 110     | 607P     | *Hex Jam Nut 5/16 - 18 UNC  |
| 55      | 8948R    | Spring - Parking Brake                | 111     | 3211P    | *Hex Bolt 5/16 - 18 UNC x 2 - 3/4                                     |
| 56      | 673A18   | Parking Brake Lever Weldment          |         |          | *STANDARD HARDWARE-PURCHASE LOCALLY                                   |
| 57      | 8817R    | Control Knob - Parking Brake          |         |          |   |
| 58      | 8808R    | Bushing - Brake Lever                 |         |          |   |
| 59      | 8822R    | Parking Brake Support                 |         |          |   |
| 60      | 8909R    | Bushing - Lock Bar                    |         |          |   |
| 60A     | 2011P    | *Hex Bolt 5/16 - 18 UNC x 1           |         |          |   |



### REPAIR PARTS

ROPER 14 H.P. GARDEN TRACTOR-MODEL NUMBER T4328AR

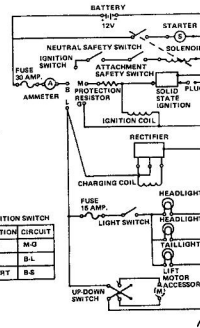
#### ELECTRICAL



### REPAIR PARTS

ROPER 14 H.P. GARDEN TRACTOR-MODEL NUMBER T4328AR

#### ELECTRICAL

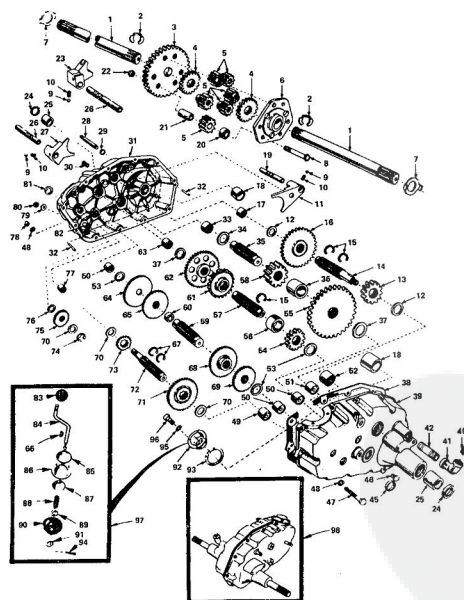


| KEY NO. | PART NO. | DESCRIPTION                             | KEY NO. | PART NO. | DESCRIPTION  |
|---------|----------|---|---------|----------|--|
| 1       | 8452R    | Headlight                               | 32      | 8788R    | Battery Hold Down                                      |
| 2       | 8031R    | Wire - Headlight Ground                 | 33      | 8288R    | Ground Strap   |
| 3       | 474R     | Headlight Glass                         | 34      | 3348P    | Cross Recast Trust Hd. Mesh. Screw No. 10 - 24 UNC x 1 |
| 4       | 51J      | Terminal Insulator (Dual)               | 35      | 1006P    | "Lockwasher No. 10                                     |
| 5       | 856R     | Terminal                                | 36      | 805P     | "Hex Nut No. 10 - 24 UNC                               |
| 6       | 103H     | Solenoid (Inc. Key No. 37 thru 40)      | 37      | 527H     | "Hex Nut No. 8 - 32 UNC                                |
| 7       | 8271R    | Battery Cable                           | 38      | 1002P    | "Lockwasher No. 8                                      |
| 8       | 6347R    | Fuse - 30 Amp.                          | 39      | 832P     | "Hex Nut 1/8 - 20 UNF                                  |
| 9       | 8008R    | Starter                                 | 40      | 1003P    | "Lockwasher 1/8  |
| 10      | 228L     | Battery                                 | 41      | 3116P    | "Hex Nut 1/4 - 20 UNF x 1/2                            |
| 11      | 8681R    | Ground Cable                            | 42      | 1002P    | "Lockwasher 1/8  |
| 12      | 9433R    | Ammeter                                 | 43      | 802P     | "Hex Nut 1/4 - 20 UNF                                  |
| 13      | 9700R    | Horn - LH Motor                         | 44      | 543P     | "Hex Nut No. 10 - 32 UNF                               |
| 14      | 4117R    | Insulated Clip                          | 45      | 1052P    | Brass Washer No. 10                                    |
| 15      | 8968R    | L2 Switch (Inc. Key No. 18)             | 46      | 3074P    | Socket Flange Nut. Mach. Screw No. 10 - 24 x 3/4       |
| 16      | 8348R    | Up-Down Plate                           | 47      | 5959P    | "Hex Self-Drilling Screw No. 10 x 1/2 Type 23          |
| 17      | 7318R    | Internal Tooth Lockwasher               | 48      | 3003P    | "Hex Bolt 1/4 - 20 UNC x 3/4                           |
| 18      | 8657R    | Ground                                  | 49      | 1506P    | "Washer 9/32 x 5/8 x 18 Ga.                            |
| 19      | 7795R    | Light Switch                            | 50      | 301P     | "Hex Bolt 5/16 - 18 UNC x 3/4                          |
| 20      | 7796R    | Light Switch Knob                       | 51      | 1483P    | "Ext. Tooth Lockwasher 5/16                            |
| 21      | 8282H    | Tailight (Inc. Key No's. 55, 56 and 57) | 52      | 1002P    | "Lockwasher No. 10                                     |
| 22      | 2215R    | Fuse - 15 Amp.                          | 53      | 1002P    | "Lockwasher No. 10                                     |
| 23      | 2216R    | Fuse - 15 Amp.                          | 54      | 1506P    | "Washer 7/32 x 1/2 x 18 Ga.                            |
| 24      | 7751R    | Wire Clip                               | 55      | 8292H    | "Ext. Tooth Lockwasher No. 10                          |
| 25      | 7023H    | Key - 15 Amp.                           | 56      | 1506P    | "Washer 7/32 x 1/2 x 18 Ga.                            |
| 26      | 4406R    | Ignition Switch (Inc. Key No. 26)       | 57      | 8291H    | "Floures. Tailight Bulb No. 1895 (2 Candle Power)      |
| 27      | 8651R    | Terminal Identifier                     |         |          |  |
| 28      | 7752R    | Safety Switch                           |         |          |  |
| 29      | 241J     | Wing Harness                            |         |          |  |
| 30      | 8854R    | Battery Bolt                            |         |          |  |
| 31      | 3748M    | Wing Nut 1/4 - 20 UNC                   |         |          |  |

### REPAIR PARTS

ROPER 14 H.P. GARDEN TRACTOR-MODEL NUMBER T4328AR

#### TRANSAXLE



### REPAIR PARTS

ROPER 14 H.P. GARDEN TRACTOR-MODEL NUMBER T4328AR

#### TRANSAXLE

| KEY NO. | PART NO. | DESCRIPTION   | KEY NO. | PART NO. | DESCRIPTION  |
|---------|----------|---|---------|----------|--|
| 1       | 4107R    | Axle Shaft  | 49      | 4805H    | Needle Bearing   |
| 2       | 8845R    | Retaining Ring  | 50      | 4222R    | Needle Bearing   |
| 3       | 4199R    | Final Drive Gear  | 51      | 1523R    | Needle Bearing   |
| 4       | 4218R    | Differential Pinion   | 52      | 8119M    | Needle Bearing   |
| 5       | 4219R    | Differential Pinion   | 53      | 4220R    | Thrust Bearing Race                                    |
| 6       | 4217R    | Differential Carrier  | 54      | 4209R    | 3rd Reduction Pinion - Low                             |
| 7       | 6255H    | Axle Thrust Washer  | 55      | 4212R    | 4th Reduction Gear                                     |
| 8       | 3065P    | "Hex Bolt 3/8 - 24 UNF x 3 - 1/4 (3" Thread Length)   | 56      | 4442R    | 3rd Reduction Pinion Spacer                            |
| 9       | 7802M    | Shell Bolt  | 57      | 4169R    | 2nd Reduction Gear Shaft                               |
| 10      | 6272H    | Spring Shifts Fork Detent   | 58      | 42146    | Final Drive Pinion                                     |
| 11      | 4065R    | Shift Fork, High - Low Range  | 59      | 4194R    | 1st Reduction Gear Shaft                               |
| 12      | 6268H    | Thrust Bearing Race   | 60      | 7628R    | 1st Reduction Shaft Spacer                             |
| 13      | 4212R    | 4th Reduction Pinion  | 61      | 4208R    | 3rd Reduction Pinion - High                            |
| 14      | 4195R    | 3rd Reduction Gear Shaft  | 62      | 4207R    | 2nd Reduction Gear                                     |
| 15      | 4216H    | Snap Ring - Crescent Type   | 63      | 7388H    | Needle Bearing   |
| 16      | 633A63   | High - Low Range Gears  | 64      | 4203R    | Low Speed Gear and 2nd Reduction Pinion Cluster        |
| 17      | 8118M    | Needle Bearing  | 65      | 4204R    | Reverse Gear   |
| 18      | 8740H1   | Sintered Iron Bearing   | 66      | 785M     | Woodruff Key 1/8 x 1/2                                 |
| 19      | 6217H    | Shift Fork Shaft, High - Low Range  | 67      | 4928H    | Snap Ring - Crescent Type                              |
| 20      | 4218R    | Differential Pinion Spacer  | 68      | 4205H    | Intermediate Speed Gear                                |
| 21      | 6262H1   | Differential Pinion Bushing   | 69      | 4206R    | High Speed Gear  |
| 22      | 7810H    | Group Gearlock Nut 3/8 - 24 UNF   | 70      | 1210H    | Thrust Bearing Race                                    |
| 23      | 4968R    | Shift Fork - L.H.   | 71      | 633A60   | Intermediate and High Speed Cluster Pinion             |
| 24      | 7393R    | Oil Seal  | 72      | 4102R    | Input Shaft  |
| 25      | 902R1    | Sintered Iron Bearing   | 73      | 4201R    | Low Speed Pinion                                       |
| 26      | 6216H    | Shift Fork - R.H.   | 74      | 5001P    | "E Ring  |
| 27      | 6263H    | Shift Fork, High - Low Range  | 75      | 1153R    | Reverse Idler Gear                                     |
| 28      | 8012R    | Shift Shaft, High - Low Range   | 76      | 7392H    | Reverse Idler Thrust Washer                            |
| 29      | 6260H    | Oil Seal  | 77      | 559H     | Needle Bearing   |
| 30      | 8885H    | Pressure Relief Valve   | 78      | 504P     | "Hex Nut 5/16 - 18 UNF                                 |
| 31      | 633A65   | Gearcase, Reverse Idler Shaft and Bearings, R.H. (Inc. Key No's. 17, 18, 25, 31, 50, 61, 76, 77 and 82) | 79      | 1167R    | Sealing Washer   |
| 32      | 6277H    | Dowel Pin   | 80      | 541P     | "Hex Jam Nut 7/16 - 20 UNF                             |
| 33      | 4222R    | Needle Bearing  | 81      | 8270H    | Oil Seal   |
| 34      | 7398H    | Thrust Bearing Race   | 82      | 7384H    | Reverse Idler Shaft                                    |
| 35      | 4198R    | 4th Reduction Gear Shaft  | 83      | 8304H    | Control Knob   |
| 36      | 4200R    | 4th Reduction Gear Spacer   | 84      | 9011H    | Gear Shift Lever - Bent                                |
| 37      | 7395H    | Thrust Bearing Race   | 85      | 9013R    | Gear Shift Cap   |
| 38      | 6270H    | Gearcase Gasket   | 86      | 633A62   | Gear Shift Ball Cover and Pin                          |
| 39      | 633A64   | Gearcase and Bearings, L.H. (Inc. Key No's. 18, 25, 40, 50 (2), 51 and 52)                              | 87      | 8738H1   | Shift Lever Guide Ball - Keyed                         |
| 40      | 4002P    | Pin Plus 1/2 - 14 N.P.T.  | 88      | 4624H    | Spring   |
| 41      | 4015P    | Elbow 90° 1/2 - 14 N.P.T.   | 89      | 1503P    | "Washer 19/32 x 5/8 x 18 Ga.                           |
| 42      | 4018P    | Std. Pipe Nipple 1/2 - 14 N.P.T. x 3  | 90      | 8155H    | Shift Mechanism Seal                                   |
| 43      | 6271H    | Oil Seal  | 91      | 1509P    | "Washer 9/16 x 15/16 x 11 Ga.                          |
| 44      | 4001P    | Pin Plus 1/4 - 18 N.P.T.  | 92      | 75J      | Gear Shift Gears                                       |
| 45      | 6271H    | Oil Seal  | 93      | 6274H    | Shift Ball Cover Gasket                                |
| 46      | 3083P    | "Hex Bolt 5/16 - 18 - 1 - 1/2 Grade 5   | 94      | 2903P    | "Washer 1 1/8 x 3/8                                    |
| 47      | 3083P    | "Hex Bolt 5/16 - 18 - 1 - 1/2 Grade 5   | 95      | 1002P    | "Lockwasher 5/16                                       |
| 48      | 1007P    | "Lockwasher 5/16 Extra Heavy  | 96      | 3159P    | "Hex Bolt 5/16 - 18 UNF x 7/8                          |
|         |          |   | 97      | 633A67   | Gear Shift Lever Assy.                                 |
|         |          |   | 98      | 833A64   | Transaxle Assembly Less Brake Drum & Shift Lever Assy. |

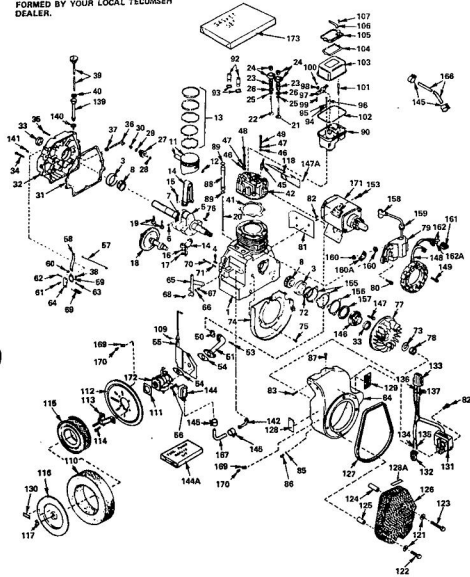
\*STANDARD HARDWARE - PURCHASE LOCALLY



### REPAIR PARTS

ROPER 14 H.P. GARDEN TRACTOR-MODEL NUMBER T4328AR  
TECUMSEH 4 CYCLE ENGINE-MODEL NUMBER OH140-160039B

ALL ENGINE PARTS MUST BE PURCHASED THROUGH AND SERVICE PERFORMED BY YOUR LOCAL TECUMSEH DEALER.



### REPAIR PARTS

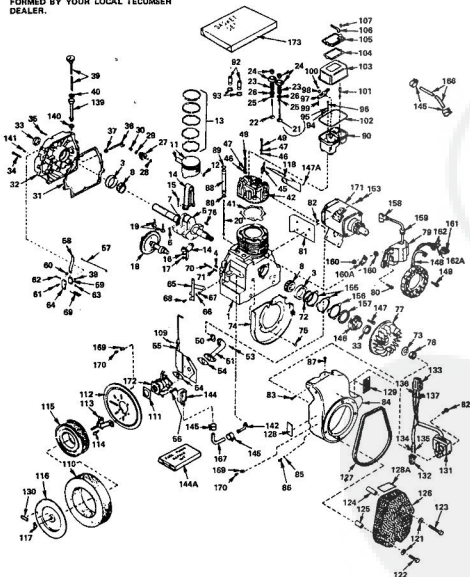
ROPER 14 H.P. GARDEN TRACTOR-MODEL NUMBER T4328AR  
TECUMSEH 4 CYCLE ENGINE-MODEL NUMBER OH140-160039B

| KEY NO. | PART NO. | DESCRIPTION                                    | KEY NO. | PART NO. | DESCRIPTION   |
|---------|----------|--|---------|----------|---|
| 1       | 32873    | Cylinder Assy. (Inc. No's. 4, 33 & 141)        | 34      | 32956    | Screw, Hex Hd. Sems, 1/4 - 20 x 1                   |
| 2       | 31928    | Cup, Bearing                                   | 35      | 65055B   | Screw, Hex Hd. Sems, 1/4 - 20 x 2                   |
| 3       | 27652    | Pin, Dowel                                     | 36      | 32425    | Nut, Hex, Governor                                  |
| 4       | 32397    | Pin, Crankshaft Assy. (Inc. No's. 3, 6, 7 & 8) | 37      | 32426    | Screw, Governor Rod                                 |
| 5       | 31931    | Pin, Crankshaft Gds                            | 38      | 25123    | Ring, Retaining                                     |
| 6       | 31931    | Gear, Crankshaft                               | 39      | 32764    | Gasket, Oil Fill (Inc. No. 40)                      |
| 7       | 31931    | Retaining Ring                                 | 40      | 32764    | "Oil" Ring  |
| 8       | 32001A   | Paton & Pin Assy. (Inc. No. 12) (Std.)         | 41      | 32474    | *Gasket, Cylinder Head                              |
| 11      | 32002    | Paton & Pin Assy. (Inc. No. 12) (O10 oversize) | 42      | 32474    | Head, Cylinder (Inc. No. 92)                        |
| 11      | 32003    | Paton & Pin Assy. (Inc. No. 12) (O20 oversize) | 43      | 32474    | Plug, Spark (Champion L-80 or equiv)                |
| 11      | 32003    | Paton & Pin Assy. (Inc. No. 12) (O40 oversize) | 44      | 32474    | Recistor Spark Plug (Canadian Regulation)           |
| 11      | 32003    | Paton & Pin Assy. (Inc. No. 12) (O40 oversize) | 45      | 65091    | Washer, Flat  |
| 12      | 32004    | Ring Set, Piston (Std.)                        | 46      | 65091    | Washer, Flat  |
| 13      | 32004    | Ring Set, Piston (O10 oversize)                | 47      | 65092    | Screw, Hex Hd. Sems, 5/16 - 18 x 1-3/4              |
| 13      | 32004    | Ring Set, Piston (O20 oversize)                | 48      | 65092    | Screw, Hex Hd. Sems, 5/16 - 18 x 1-3/4              |
| 13      | 32004    | Ring Set, Piston (O30 oversize)                | 49      | 65092    | Screw, Hex Hd. Sems, 5/16 - 18 x 1-3/8              |
| 13      | 32004    | Ring Set, Piston (O40 oversize)                | 50      | 32613    | *Gasket, Intake Pipe                                |
| 14      | 32004    | Ring Set, Piston (O50 oversize)                | 51      | 32613    | Ring, Intake  |
| 15      | 32004    | Ring Set, Piston (O60 oversize)                | 52      | 79202B   | Screw, Hex Hd. Sems 5/16 - 18 x 7/8                 |
| 15      | 32004    | Ring Set, Piston (O70 oversize)                | 53      | 32613    | *Gasket, Carburetor                                 |
| 15      | 32004    | Ring Set, Piston (O80 oversize)                | 54      | 32613    | Baffle, Air Extension                               |
| 15      | 32004    | Ring Set, Piston (O90 oversize)                | 55      | 32613    | Screw, Flat Hd. Sems, 5/16 - 18 x 1 - 1/8           |
| 15      | 32004    | Ring Set, Piston (O100 oversize)               | 56      | 32613    | Link, Governor                                      |
| 15      | 32004    | Ring Set, Piston (O110 oversize)               | 57      | 32613    | Level, Governor Adjusting                           |
| 15      | 32004    | Ring Set, Piston (O120 oversize)               | 58      | 31854    | Clamp, Governor Lever                               |
| 15      | 32004    | Ring Set, Piston (O130 oversize)               | 59      | 65019    | Lockwasher No. 10 E.T.                              |
| 15      | 32004    | Ring Set, Piston (O140 oversize)               | 60      | 36012    | Screw, Hex Washer Hd., 10 - 32 x 1/2                |
| 15      | 32004    | Ring Set, Piston (O150 oversize)               | 61      | 36012    | Screw, Pan Hd., 10 - 24 x 3/8                       |
| 15      | 32004    | Ring Set, Piston (O160 oversize)               | 62      | 7975     | Nut, Square, 10 - 24                                |
| 15      | 32004    | Ring Set, Piston (O170 oversize)               | 63      | 31865    | Plate, Governor Spring                              |
| 15      | 32004    | Ring Set, Piston (O180 oversize)               | 64      | 31865    | Lever Assy., Control                                |
| 15      | 32004    | Ring Set, Piston (O190 oversize)               | 65      | 31865    | Washer, Valve                                       |
| 15      | 32004    | Ring Set, Piston (O200 oversize)               | 66      | 31865    | Pushing, Governor Lever                             |
| 15      | 32004    | Ring Set, Piston (O210 oversize)               | 67      | 31865    | Screw, Hex Washer Hd., 10 - 24 x 5/8                |
| 15      | 32004    | Ring Set, Piston (O220 oversize)               | 68      | 31865    | Spring, Governor                                    |
| 15      | 32004    | Ring Set, Piston (O230 oversize)               | 69      | 31865    | Spring, Governor                                    |
| 15      | 32004    | Ring Set, Piston (O240 oversize)               | 70      | 31865    | Spring, Governor                                    |
| 15      | 32004    | Ring Set, Piston (O250 oversize)               | 71      | 31865    | Spring, Locking                                     |
| 15      | 32004    | Ring Set, Piston (O260 oversize)               | 72      | 31865    | "O" Ring  |
| 15      | 32004    | Ring Set, Piston (O270 oversize)               | 73      | 65066    | Washer, Lock  |
| 15      | 32004    | Ring Set, Piston (O280 oversize)               | 74      | 65066    | Baffle, Blower Housing                              |
| 15      | 32004    | Ring Set, Piston (O290 oversize)               | 75      | 65066    | Screw, Hex Hd. Sems, 1/4 - 20 x 5/8                 |
| 15      | 32004    | Ring Set, Piston (O300 oversize)               | 76      | 65066    | Flywheel  |
| 15      | 32004    | Ring Set, Piston (O310 oversize)               | 77      | 65066    | Clutch, Flywheel                                    |
| 15      | 32004    | Ring Set, Piston (O320 oversize)               | 78      | 65066    | Maguro, Solid State (Inc. No's. 158 & 160A)         |
| 15      | 32004    | Ring Set, Piston (O330 oversize)               | 79      | 61006    | *Indicates Parts Included in Gasket Set Key No. 173 |
| 15      | 32004    | Ring Set, Piston (O340 oversize)               | 80      | 61006    |   |

### REPAIR PARTS

ROPER 14 H.P. GARDEN TRACTOR-MODEL NUMBER T4328AR  
TECUMSEH 4 CYCLE ENGINE-MODEL NUMBER OH140-160039B

ALL ENGINE PARTS MUST BE PURCHASED THROUGH AND SERVICE PERFORMED BY YOUR LOCAL TECUMSEH DEALER.



### REPAIR PARTS

ROPER 14 H.P. GARDEN TRACTOR-MODEL NUMBER T4328AR  
TECUMSEH 4 CYCLE ENGINE-MODEL NUMBER OH140-160039B

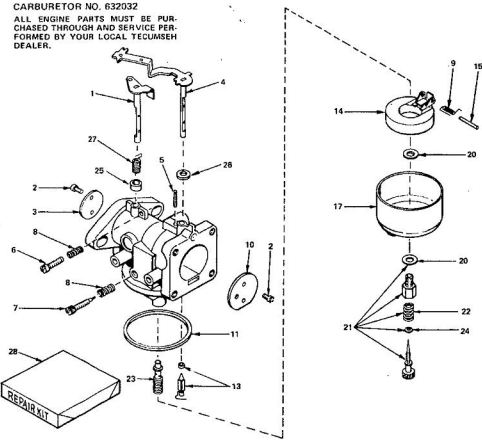
| KEY NO. | PART NO. | DESCRIPTION  | KEY NO. | PART NO. | DESCRIPTION                                   |
|---------|----------|--|---------|----------|---|
| 80      | 650601   | Screw, Flat Hd., w/Conical Spring Lockwasher, 1/4 - 20 x 3/4 | 125     | 34378    | Spacer, Screen                                |
| 81      | 33439    | Extension, Blower Housing                                    | 126     | 34378    | Screen Assy., Blower Housing (Inc. No. 126)   |
| 82      | 36068    | Screw, Hex Hd. Sems, 1/4 - 20 x 1/2                          | 127     | 34377    | Seal, Guard                                   |
| 83      | 650751   | Washer, 1/4 - 20 x 7/16                                      | 128     | 34378    | Decal, Name & Instruction                     |
| 84      | 32775A   | Housing, Blower  | 129     | 34378    | Instruction Detail                            |
| 85      | 6714     | Lockwasher, Split, 5/16                                      | 130     | 32984    | Decal, Name                                   |
| 86      | 650595   | Screw, Hex Hd., 5/16 - 24 x 3/8                              | 131     | 61098B   | Regulator, Recycler (Inc. No's. 132 thr 137)  |
| 87      | 650752   | Screw, Hex Hd. Sems, 1/4 - 20 x 7/16                         | 132     | 61099    | Terminal                                      |
| 88      | 33480    | Tube, Push Rod   | 133     | 61099    | Connector                                     |
| 89      | 33481    | "O" Ring   | 134     | 61099    | Terminal                                      |
| 90      | 33482    | Housing, Rocker Arm  | 135     | 61099    | Terminal                                      |
| 91      | 33483    | Valve Guide Kit (Inc. No. 93)                                | 136     | 61099    | Terminal                                      |
| 92      | 33484    | "O" Ring   | 137     | 61099    | Terminal                                      |
| 93      | 33485    | Washer, Flat   | 138     | 29613    | Lube Assy., Oil Filter                        |
| 94      | 33486    | Screw, Flanged Hex Hd., 1/4 - 20 x 29/32                     | 139     | 29613    | *Gasket, Oil Filler Tube                      |
| 95      | 650168   | Arm, Rocker  | 140     | 29613    | Plug, Plug (3/8 - 18 Sq. Hd.)                 |
| 96      | 33487    | Ring, Retaining  | 141     | 29613    | Filler, Fuel Pump                             |
| 97      | 33488    | Screw, Adjusting   | 142     | 29613    | Pump, Impulse Fuel                            |
| 98      | 33489    | Nut, Hex   | 143     | 29613    | Repair Kit, Impulse Fuel Pump                 |
| 99      | 650758   | Bluff, Rocker Arm Cover                                      | 144     | 32577    | Cover, Cylinder (See Note 1)                  |
| 100     | 650759   | "O" Ring   | 145     | 79202B   | Screw, Hex Hd. Sems, 5/16 - 18 x 7/8          |
| 101     | 650758   | Cover, Rocker Arm  | 146     | 650728   | Cow Assy., Alternator (Inc. No's. 147 & 152A) |
| 102     | 33491    | *Gasket, Breather  | 147     | 650728   | Screw, Flat Hd. Sems, 5/16 - 18 x 11/16       |
| 103     | 33492    | Body Assy., Breather   | 148     | 61092    | *Screw, Hex Hd. Sems, 5/16 - 18 x 11/16       |
| 104     | 33493    | Tube, Breather   | 149     | 61092    | *Gasket, Shim 1.005/1.007 thick, use note 151 |
| 105     | 33494    | Screw, Hex Washer Hd. Sems, w/Mastic                         | 150     | 61092    | *Gasket, Shim 1.005/1.007 thick, use note 151 |
| 106     | 33495    | Washer, 10 - 32 x 5/8  | 151     | 32021    | Screw, Steel 1.010 thick, use note 151        |
| 107     | 30102    | Screw, Hex Washer Hd. Spinecock thrd Cutting, 1/4 - 20 x 5/8 | 152     | 610118   | Cover, Spark Plug                             |
| 109     | 650738   | Nut, Hex   | 153     | 610118   | Ground, Lead Wire                             |
| 110     | 32906    | Fitter, Pre-Air  | 154     | 610408   | Nut, Hex, 8 - 32                              |
| 111     | 33092    | *Gasket, Air Cleaner   | 155     | 61092    | Terminal                                      |
| 112     | 33777    | Bracket, Air Cleaner   | 156     | 61092    | Terminal                                      |
| 113     | 33778    | Bracket, Air Cleaner   | 157     | 61092    | Terminal                                      |
| 114     | 650209   | Screw, Flat Hd. Sems, 10 - 32 x 5/8                          | 158     | 61092    | Terminal                                      |
| 115     | 32028    | Element, Air Cleaner   | 159     | 61092    | Terminal                                      |
| 116     | 32024    | Cover, Air Cleaner   | 160     | 61092    | Terminal                                      |
| 117     | 650513   | Nut, Wing  | 161     | 61092    | Terminal                                      |
| 118     | 33455    | Cover, Cylinder Head   | 162     | 61092    | Terminal                                      |
| 119     | 650513   | Washer, Lock   | 163     | 61092    | Terminal                                      |
| 120     | 650508   | Screw, Truss Hd., 1/4 - 28 x 1 - 3/4                         | 164     | 61092    | Terminal                                      |
| 121     | 650509   | Screw, Truss Hd., 1/4 - 28 x 2 - 9/16                        | 165     | 61092    | Terminal                                      |
| 122     | 34378    | Spacer, Screen   | 166     | 61092    | Terminal                                      |
| 123     | 34378    | Spacer, Screen   | 167     | 34377    | Line, Fuel                                    |
| 124     | 34378    | Spacer, Screen   | 168     | 29613    | Clip, Control                                 |
|         |          |  | 169     | 29613    | Screw, Hex Hd. Sems, 10 - 32 x 3/8            |
|         |          |  | 170     | 33876    | Motor, Starter (1/2 Volt) (Inc. No. 153)      |
|         |          |  | 171     | 62032    | Carburetor (Inc. No. 54)                      |
|         |          |  | 172     | 62032    | Gasket Set (Inc. items marked 1)              |
|         |          |  | 173     | 32516A   |   |

\*Indicates Parts Included in Gasket Set Key No. 173  
NOTE: Determine the gap between the cover and the modified surface on the cylinder, which can be from .001" up to .007". In which case no shim gaskets will be required. Use of gaskets must be limited to a combined total of .010" thick. Steel spacers must be used as required to eliminate crankshaft end play.

### REPAIR PARTS

ROPER 14 H.P. GARDEN TRACTOR-MODEL NUMBER T43284R  
TECUMSEH 4 CYCLE ENGINE-MODEL NUMBER OH140160039B

CARBURETOR NO. 632032  
ALL ENGINE PARTS MUST BE PURCHASED THROUGH AND SERVICE PERFORMED BY YOUR LOCAL TECUMSEH DEALER.



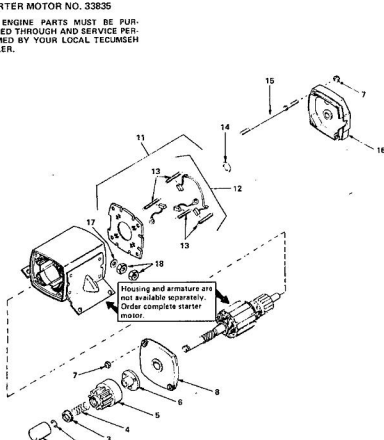
| KEY NO. | PART NO. | DESCRIPTION                                      | KEY NO. | PART NO. | DESCRIPTION  |
|---------|----------|--|---------|----------|--|
| 1       | 631881   | Shaft & Lever Assy., Throttle (Inc. Key No. 2)   | 11      | 27109    | *Gasket, Bowl-to-Body                                    |
| 2       | 30357    | Screw, Hd. Hd., 6 - 32 x 3/16 (Early Production) | 13      | 632024   | *Valve, Seat & Spring Assy. (Inc. No. 9)                 |
| 3       | 650506   | Screw, Pan Hd. 4 - 40 x 3/16 (Late Production)   | 14      | 27106    | Float  |
| 4       | 631882   | Shutter, Throttle                                | 15      | 27106    | Shaft, Float   |
| 5       | 631883   | Shaft & Lever Assy., Choke (Inc. Key No. 2)      | 17      | 29170    | Bowl, Fuel   |
| 6       | 27113    | Spring, Choke Stop                               | 20      | 27110    | *Gasket, Bowl-to-Body                                    |
| 7       | 650399   | Spring, Throttle Adjusting                       | 21      | 631764   | *Needle Assy., Power Adjusting (Inc. No's. 20, 22, & 24) |
| 8       | 27112    | Screw, Throttle Adjusting                        | 22      | 630786   | Spring, Adjusting Needle                                 |
| 9       | 27114    | Spring, Adjusting                                | 23      | 631942   | Needle, Main   |
| 10      | 632017   | Spring, Float Shaft                              | 24      | 27844    | *O' Ring   |
| 11      | 631884   | Shutter, Choke                                   | 25      | 632039   | Seal, Throttle Shaft Dust                                |
|         |          |  | 26      | 632040   | Seal, Choke Shaft Dust                                   |
|         |          |  | 27      | 32098    | Spring, Throttle Return                                  |
|         |          |  | 28      | 632032   | Repair Kit (Inc. Items Marked *)                         |

### REPAIR PARTS

ROPER 14 H.P. GARDEN TRACTOR-MODEL NUMBER T43284R  
TECUMSEH 4 CYCLE ENGINE-MODEL NUMBER OH140160039B

STARTER MOTOR NO. 33835

ALL ENGINE PARTS MUST BE PURCHASED THROUGH AND SERVICE PERFORMED BY YOUR LOCAL TECUMSEH DEALER.

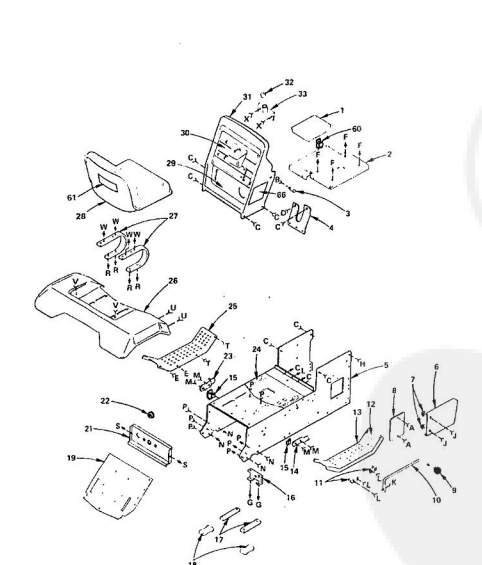


| KEY NO. | PART NO. | DESCRIPTION                     | KEY NO. | PART NO. | DESCRIPTION                                |
|---------|----------|---------------------------------|---------|----------|--|
| 1       | 33841    | Cover, Dust                     | 12      | 33849    | Brush & Spring Kit (Inc. 4 pcs. of No. 13) |
| 2       | 33842    | Ring, Retainer                  | 13      | 33850    | Spring, Brush                              |
| 3       | 33843    | Retainer, Spring                | 14      | 980500   | Washer, Thrust                             |
| 4       | 33844    | Spring, Anti-Drill              | 15      | 33851    | Bolt, 10 - 32 x 5 - 1/4                    |
| 5       | 33845    | Clear                           | 16      | 33852    | Cap Assy., Commutator end                  |
| 6       | 33433    | Nut, Engaging                   | 17      | 950168   | Washer, Flat                               |
| 7       | 33460    | Nut, Lock                       | 18      | 650723   | Nut, Hex                                   |
| 8       | 33845    | Cap Assy., Drive End            |         |          |  |
| 11      | 33846    | Card Assy., Brush (Inc. No. 12) |         |          |  |

### REPAIR PARTS

ROPER 14 H.P. GARDEN TRACTOR-MODEL NUMBER T43288R

CHASSIS, FENDER & DASHBOARD

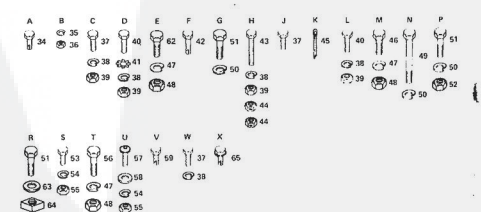


### REPAIR PARTS

ROPER 14 H.P. GARDEN TRACTOR-MODEL NUMBER T43288R

CHASSIS, FENDER & DASHBOARD

| KEY NO. | PART NO. | DESCRIPTION   | KEY NO. | PART NO. | DESCRIPTION   |
|---------|----------|---|---------|----------|---|
| 1       | 8945R    | Battery Tray  | 36      | 505P     | *Hex Nut No. 10 - 24 UNC                                      |
| 2       | 8797R    | Tank & Battery Support                                      | 37      | 3009P    | *Hex Bolt 5/16 - 18 UNC x 5/8                                 |
| 3       | 8755R    | Head Latch Pin  | 38      | 1003P    | *Lockwasher 5/16  |
| 4       | 8792R    | Tank & Battery Support Brace                                | 39      | 504P     | *Hex Nut 5/16 - 18 UNC  |
| 5       | 8668R    | Chassis Channel   | 40      | 3010P    | *Hex Bolt 5/16 - 18 UNC x 3/4                                 |
| 6       | 8791R    | Escape Pulley Cover   | 41      | 1408P    | *Ext. Torx Lockwasher 5/16                                    |
| 7       | 8815R    | Nut, Retainer   | 42      | 5503P    | Hex Head Thread Cutting Screw 5/16 - 18 UNC x 2 1/2 Torx T3   |
| 8       | 8902R    | Channel Access Cover  | 43      | 3373P    | Hex Bolt 5/16 - 18 UNC x 1 1/2 Full T7                        |
| 9       | 8364H    | Control Knob  | 44      | 1686H    | Locknut 5/16  |
| 10      | 8766R    | Range Shift Rod   | 45      | 2511P    | *Cutter Pin 3/16 x 1  |
| 11      | 8810R    | Range Shift Rod Bracket                                     | 46      | 2022P    | *Hex Bolt 3/8 - 16 UNC x 7/8                                  |
| 12      | 8900R    | Decal - Attachment Clutch                                   | 47      | 1004P    | *Lockwasher 3/8   |
| 13      | 8842R    | Foot Rest - R.H.  | 48      | 5011P    | *Hex Nut 3/8 - 16 UNC   |
| 14      | 67343Z   | Suspension Arm Bracket Weldment - R.H.                      | 49      | 3165P    | Hex Bolt 7/16 - 14 UNC x 2 1/4                                |
| 15      | 2751R    | Clip - Fuel Line  | 50      | 1001P    | Lockwasher 7/16   |
| 16      | 8628R    | Transaxle Bracket   | 51      | 3024P    | *Hex Bolt 7/16 - 14 UNC x 1                                   |
| 17      | 105J     | Seat Spring Lock Plate                                      | 52      | 500P     | *Hex Nut 7/16 - 14 UNC  |
| 18      | 9248R    | Transaxle Spacers   | 53      | 3114P    | *Hex Bolt 1/4 - 20 UNC x 1 1/2                                |
| 19      | 67345B   | Driveline Assembly  | 54      | 1002P    | Lockwasher 1/4  |
| 21      | 237J     | Chassis Channel Cover                                       | 55      | 500P     | *Hex Nut 1/4 - 20 UNC   |
| 22      | 3807R    | Universal Bushing   | 56      | 3023P    | *Hex Bolt 3/8 - 16 UNC x 1                                    |
| 23      | 67343B   | Suspension Arm Bracket Weldment - L.H.                      | 57      | 3308P    | *Cross Recs. Torx Head Machine Screw 1/4 - 20 UNC x 5/8       |
| 24      | 8888R    | Decal - Shift Pattern                                       | 58      | 5600P    | Hex Head Thread Cutting Screw 5/16 - 18 UNC x 1 1/2 Type 23   |
| 25      | 5041R    | Foot Rest - L.H.  | 59      | 500P     | *Hex Nut 1/4 - 20 UNC   |
| 26      | 8509R    | Fender  | 60      | 4171R    | Headrest Clip   |
| 27      | 8768R    | Seat Spring   | 61      | 245J     | Decal - Ripon   |
| 28      | 2214J    | Seat  | 62      | 3021P    | *Hex Bolt 3/8 - 16 UNC x 3/4                                  |
| 29      | 189J     | Decal - Lower Dashboard                                     | 63      | 1544P    | *Washer 15/32 x 15/16 x 16 Ga.                                |
| 30      | 192J     | Decal - Upper Dashboard                                     | 64      | 560P     | Screw Nut 7/16 - 14 UNC                                       |
| 31      | 163J     | Dashboard   | 65      | 560DP    | Hex Washer HD Flat Contour Screw 1/4 - 20 UNC x 1 1/2 Type 23 |
| 32      | 9038R    | Steering Bracket & Bearing (Inc. Key No. 23)                | 66      | 244J     | Decal 14 H.P.   |
| 33      | 6569P    | *Hex Head Thread Cutting Screw 1/4 - 20 UNC x 1 1/2 Type 23 |         |          |   |
| 35      | 1006P    | *Lockwasher No. 10  |         |          |   |

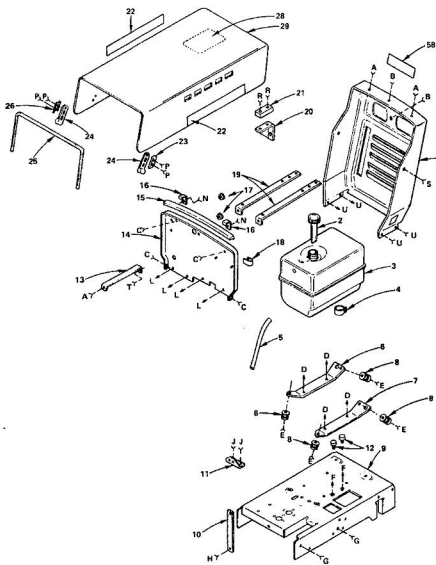




**REPAIR PARTS**

ROPER 14 H.P. GARDEN TRACTOR-MODEL NUMBER T43288R

ENGINE MOUNT, HOOD & GRILL



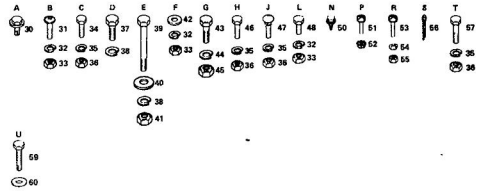
**REPAIR PARTS**

ROPER 14 H.P. GARDEN TRACTOR-MODEL NUMBER T43288R

ENGINE MOUNT, HOOD & GRILL

| KEY NO. | PART NO. | DESCRIPTION  | KEY NO. | PART NO. | DESCRIPTION   |
|---------|----------|--|---------|----------|---|
| 1       | 1547J    | Grill  | 33      | 503P     | *Hex Nut 1/4 - 20 UNC                                       |
| 2       | 8509R    | Fuel Gauge   | 34      | 3003P    | *Hex Bolt 5/16 - 18 UNC x 5/8                               |
| 3       | 35J      | Fuel Tank  | 35      | 1003P    | *Lockwasher 5/16  |
| 4       | 8577R    | Fuel Line  | 36      | 504P     | *Hex Nut 5/16 - 18 UNC                                      |
| 5       | 8908R    | Fuel Line - Overflow   | 37      | 3022P    | *Hex Bolt 3/8 - 18 UNC x 7/8                                |
| 6       | 5306S    | Fuel Isolator Mounting Bracket - L.H.                              | 38      | 1004P    | *Lockwasher 3/8   |
| 7       | 8205R    | Engine Isolator Mounting Bracket - R.H.                            | 39      | 3232P    | *Hex Bolt Full Thread 3/8 - 16 UNC x 1/4                    |
| 8       | 5734124  | Hex Nut 1/4 - 20 UNC   | 40      | 1588P    | *Washer 13/32 x 1 - 1/4 x 12 Ga.                            |
| 9       | 673A201  | Engine Base Weldment   | 41      | 501P     | *Hex Nut 3/8 - 18 UNC                                       |
| 10      | 8518R    | Engine Base Drive  | 42      | 1506P    | *Washer 9/32 x 5/8 x 18 Ga.                                 |
| 11      | 1505J    | Safety Switch Bracket  | 43      | 3034P    | *Hex Bolt 7/16 - 14 UNC x 1                                 |
| 12      | 8304R    | Snubber Mount  | 44      | 1001P    | *Lockwasher 7/16  |
| 13      | 8780R    | Dashboard Brace  | 45      | 500P     | *Hex Nut 7/16 - 14 UNC                                      |
| 14      | 8784R    | Heat Shield  | 46      | 3010P    | *Hex Bolt 5/16 - 18 UNC x 3/4                               |
| 15      | 9283R    | Sealing Strip  | 47      | 16P      | *Sp. Neck Carriage Bolt 5/16 - 18 UNC x 2 1/4               |
| 16      | 8934R    | Sealing Strip Clamp  | 48      | 3114P    | *Hex Bolt 1/4 - 20 UNC x 1/2                                |
| 17      | 0151R    | Snap Bushing   | 50      | 5001P    | *Hex Washer Head Sheet Metal Screw No. 10 x 3/8 Type AB     |
| 18      | 4171R    | Insulated Clip   | 51      | 3300P    | *Cross Recess Pan Head Machine Screw No. 10 - 24 UNC x 1/2  |
| 19      | 8781R    | Grill Brace  | 52      | 501P     | *Hex Nut No. 10 - 24 UNC                                    |
| 20      | 8523R    | Grill Bracket  | 53      | 3005P    | *Cross Recess Pan Head Machine Screw No. 10 - 24 UNC x 1/2  |
| 21      | 9042R    | Rubber Bumper  | 54      | 1005P    | *Lockwasher No. 10  |
| 22      | 242J     | Decal - Roper  | 55      | 501P     | *Hex Nut No. 10 - 24 UNC                                    |
| 23      | 8925R    | Hood Latch Cover - R.H.  | 56      | 2503P    | *Cover Pin 3/32 x 2/8                                       |
| 24      | 8898R    | Hood Latch   | 57      | 3011P    | *Hex Bolt 5/16 - 18 UNC x 1                                 |
| 25      | 8927R    | Hood Strip   | 58      | 253J     | *Decal - Roper Logo   |
| 26      | 9012R    | Hood Latch Cover - L.H.  | 59      | 5503P    | *Screw, Hex Hd. Thread Cutting, Type 23 5/16 - 18 UNC x 3/4 |
| 28      | 8028R    | Decal - Maintenance  | 60      | 1537P    | *Washer 1 1/2 x 1 1/8 x 18 Ga.                              |
| 29      | 673A202  | Hood   |         |          |   |
| 30      | 5000P    | Hex Washer Head Thread Cutting Screw 5/16 - 18 UNC x 1 1/2 Type 23 |         |          |   |
| 31      | 3077P    | *Cross Recess Truss Head Machine Screw 1/4 - 20 UNC x 3/4          |         |          |   |
| 32      | 1002P    | *Lockwasher 1/4  |         |          |   |

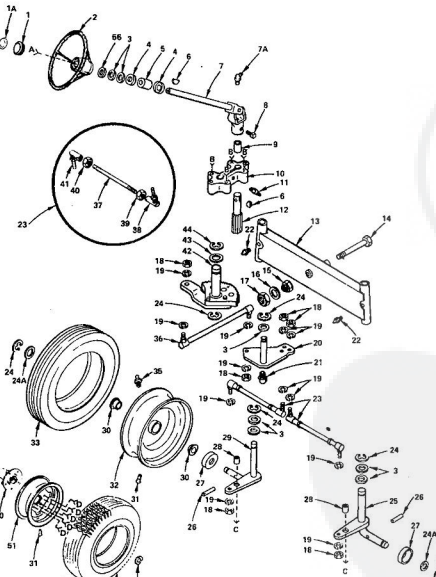
\*STANDARD HARDWARE-PURCHASE LOCALLY



**REPAIR PARTS**

ROPER 14 H.P. GARDEN TRACTOR-MODEL NUMBER T43288R

STEERING AND FRONT AXLE



**REPAIR PARTS**

ROPER 14 H.P. GARDEN TRACTOR-MODEL NUMBER T43288R

STEERING AND FRONT AXLE

| KEY NO. | PART NO. | DESCRIPTION  | KEY NO. | PART NO. | DESCRIPTION                           |
|---------|----------|--|---------|----------|---------------------------------------|
| 1       | 9719R    | Steering Wheel Cap   | 29      | 673A10   | Spindles Weldment - L.H.              |
| 1A      | 235J     | Decal, Steering Wheel Cap  | 30      | 9040H    | Flanged Bearing                       |
| 2       | 3044R    | Steering Wheel   | 31      | 735R     | Tire Valve                            |
| 3       | 1517P    | Washer 25/32 x 1 - 1/4 x 16 Ga.                                    | 32      | 3526R    | Front Wheel (Inc. Key No's. 30 & 35)  |
| 4       | 9007H    | Cup - Steering Tube  | 33      | 3526R    | Front Tire - Tubeless 16 x 6.50 - 8   |
| 5       | 5989R    | Rubber Bushing   | 35      | 6566M    | Grease Fitting                        |
| 6       | 9958M1   | Woodruff Key   | 36      | 8665R    | Steering Drag Link                    |
| 7       | 9929R    | U-Joint (Inc. Key No. 7A)  | 37      | 673A19   | Tie Rod (Inc. Key No's. 39 & 40)      |
| 7A      | 4545H    | Clasp Fitting  | 38      | 8922R    | Tie Rod Joint - L.H. Thread           |
| 8       | 4503P    | Sp. Hd. Set Screw 3/8 - 16 UNC x 1/2                               | 39      | 547P     | *Hex Jam Nut 3/8 - 24 UNF - L.H.      |
| 9       | 101J     | "U" Joint Spacer   | 40      | 546P     | *Hex Jam Nut 3/8 - 24 UNF             |
| 10      | 8529R    | Steering Support Bracket   | 41      | 8521R    | Tie Rod Joint - R.H. Thread           |
| 11      | 6842M    | Grease Fitting   | 42      | 673A17   | Steering Sector Assy.                 |
| 12      | 151J     | Steering Pawl  | 43      | 1518P    | Washer 25/32 x 1 - 1/4 x 18 Ga.       |
| 13      | 673A203  | Front Axle Weldment  | 44      | 5017P    | E-Ring                                |
| 14      | 8916H    | Shoulder Nut   | 45      | 3023P    | *Hex Bolt 3/8 - 16 UNC x 1            |
| 15      | 156J     | Washer 21/32 x 1 - 5/16 x 13 Ga.                                   | 46      | 1517P    | *Washer 7/16 x 1 1/4 x 14 Ga.         |
| 16      | 1503P    | *Hex Jam Nut 3/8 - 11 UNC  | 47      | 3028P    | *Hex Bolt 3/8 - 16 UNC x 1 - 3/4      |
| 17      | 523P     | *Hex Nut 5/8 - 11 UNC  | 48      | 501P     | *Hex Nut 3/8 - 18 UNC                 |
| 18      | 515P     | *Hex Nut 3/8 - 24 UNF  | 49      | 7563R    | Axle Thrust Washers                   |
| 19      | 1004P    | *Lockwasher 3/8  | 50      | 6564Q02  | Wheel Hub and Bushing                 |
| 20      | 673A30   | Steering Bell Crank Weldment                                       | 51      | 3535R    | Rear Wheel                            |
| 21      | 6853M    | Grease Fitting   | 52      | 3765R    | Rear Tire - Tubeless 23.0 x 8.50 - 12 |
| 22      | 6853M    | Grease Fitting   | 53      | 5845R    | E-Ring                                |
| 23      | 673A15   | Steering Tie Rod (Inc. Key No's. 37 thru 41)                       | 54      | 1524H    | Hub Bolt                              |
| 24      | 5000P    | Hex Washer Head Thread Cutting Screw 5/16 - 18 UNC x 1 1/2 Type 23 | 55      | 3022P    | *Hex Bolt 3/8 - 16 UNC x 7/8          |
| 24A     | 1021P    | Washer 25/32 x 1 - 5/8 x 16 Ga.                                    | 56      | 1591P    | *Washer 25/32 x 1 - 1/4 x 21 Ga.      |
| 25      | 673A20   | Spindles Weldment - R.H.   |         |          |                                       |
| 26      | 8530R    | Grease Pin   |         |          |                                       |
| 27      | 8781R    | Dust Cap   |         |          |                                       |
| 28      | 8507R    | Bushing - Steering Stop  |         |          |                                       |

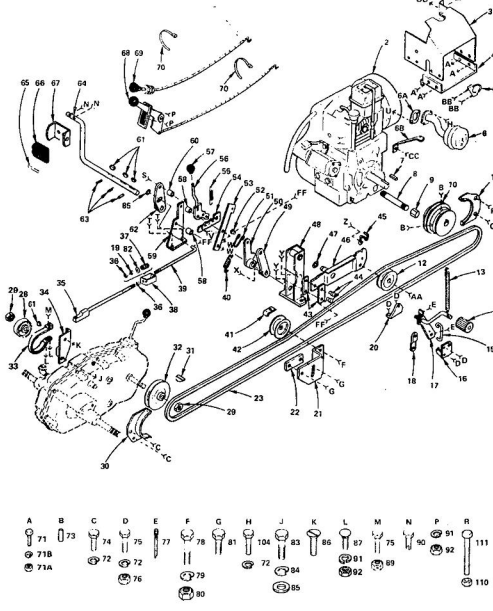
\*STANDARD HARDWARE-PURCHASE LOCALLY



### REPAIR PARTS

ROPER 14 H.P. GARDEN TRACTOR-MODEL NUMBER T43288R

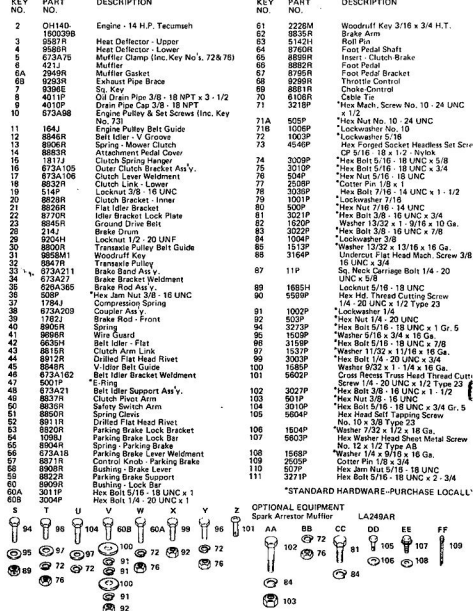
#### CLUTCH-BRAKE & DRIVE



### REPAIR PARTS

ROPER 14 H.P. GARDEN TRACTOR-MODEL NUMBER T43288R

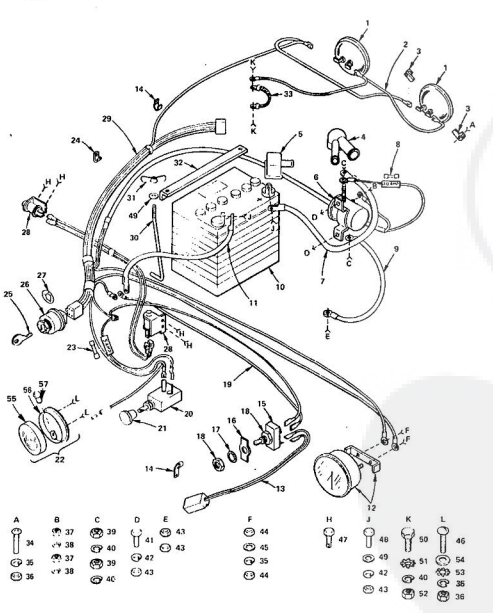
#### CLUTCH-BRAKE & DRIVE



### REPAIR PARTS

ROPER 14 H.P. GARDEN TRACTOR-MODEL NUMBER T43288R

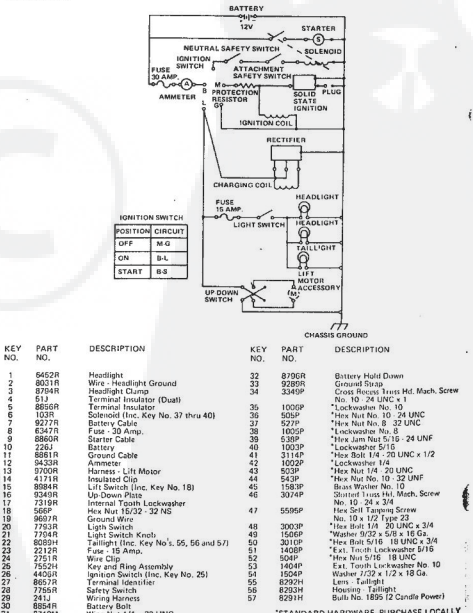
#### ELECTRICAL



### REPAIR PARTS

ROPER 14 H.P. GARDEN TRACTOR-MODEL NUMBER T43288R

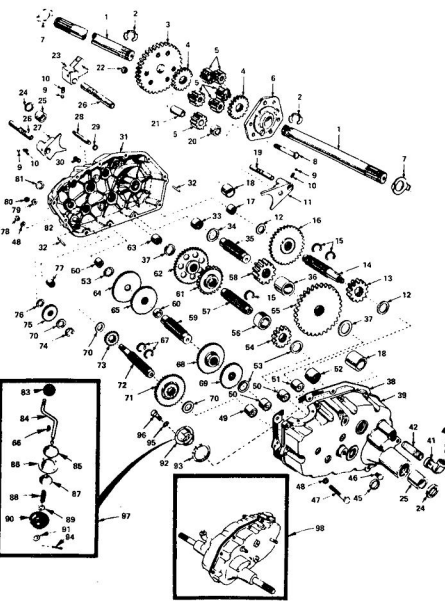
#### ELECTRICAL



### REPAIR PARTS

ROPER 14 H.P. GARDEN TRACTOR-MODEL NUMBER T4328BR

#### TRANSAXLE



### REPAIR PARTS

ROPER 14 H.P. GARDEN TRACTOR-MODEL NUMBER T4328BR

#### TRANSAXLE

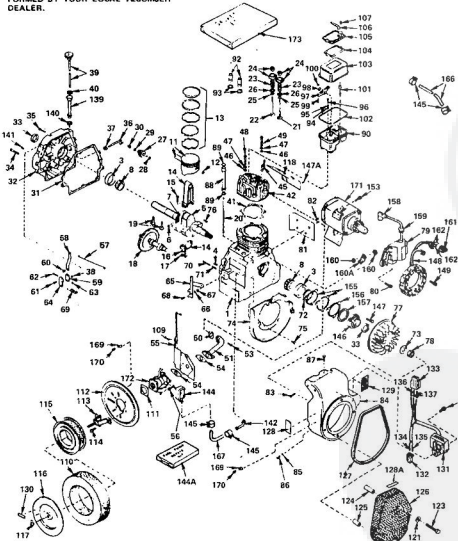
| KEY NO. | PART NO. | DESCRIPTION  | KEY NO. | PART NO. | DESCRIPTION  |
|---------|----------|--|---------|----------|--|
| 1       | 4197R    | Axle Shaft   | 46      | 4895H    | Needle Bearing   |
| 2       | 5845R    | Retaining Ring   | 50      | 4222R    | Needle Bearing   |
| 3       | 4199R    | Front Drive Gear   | 51      | 4529R    | Needle Bearing   |
| 4       | 4216R    | Differential Gear  | 52      | 8115M    | Needle Bearing   |
| 5       | 4215R    | Differential Pinion  | 53      | 4220R    | Thrust Bearing Race                                    |
| 6       | 4217R    | Differential Carrier   | 54      | 4205R    | 3rd Reduction Pinion - Low                             |
| 7       | 6256H    | Axle Thrust Washer   | 55      | 4212R    | 4th Reduction Gear Shaft                               |
| 8       | 3065P    | Hex Bolt 5/8" - 24 UNF x 3 - 1/4 (1" Thread Length)  | 56      | 444276   | 3rd Reduction Pinion Spacer                            |
| 9       | 7392M    | Steel Ball   | 57      | 4195R    | 2nd Reduction Gear Shaft                               |
| 10      | 6272H    | Spring Shift Fork Detent   | 58      | 4714R    | Front Drive Pinion                                     |
| 11      | 4956R    | Shift Fork, High - Low Range   | 59      | 4194R    | 1st Reduction Gear Shaft                               |
| 12      | 6268H    | Thrust Bearing Race  | 60      | 3528R    | 1st Reduction Shaft Spacer                             |
| 13      | 4212R    | 4th Reduction Pinion   | 61      | 4208R    | 3rd Reduction Pinion - High                            |
| 14      | 4196R    | 3rd Reduction Gear Shaft   | 62      | 4207R    | 2nd Reduction Gear                                     |
| 15      | 6276H    | Snap Ring - Crescent Type  | 63      | 7398H    | Needle Bearing   |
| 16      | 633AC3   | High - Low Range Clutch  | 64      | 4202R    | Low Speed Gear and 2nd Reduction Pinion Clutch         |
| 17      | 8118M    | Needle Bearing   | 65      | 4204R    | Reverse Gear   |
| 18      | 6746M1   | Sintered Iron Bearing  | 66      | 7355M    | Woodruff Key 1/8 x 1/2                                 |
| 19      | 8217H    | Shift Fork Shaft, High - Low Range   | 67      | 4926H    | Snap Ring - Crescent Type                              |
| 20      | 4218R    | Differential Pinion Spacer   | 68      | 4205R    | Intermediate Speed Gear                                |
| 21      | 6262H1   | Differential Pinion Bushing  | 69      | 4206R    | High Speed Gear  |
| 22      | 7810H    | Croze Coustric Nut 3/8" - 24 UNF   | 70      | 1306H    | Thrust Bearing Race                                    |
| 23      | 4985R    | Shift Fork - L.H.  | 71      | 633A69   | Intermediate and High Speed Clutch Pinion              |
| 24      | 7393H    | Clutch Pinion  | 72      | 4193R    | Input Shaft  |
| 25      | 9221H    | Sintered Iron Bearing  | 73      | 4201R    | Low Speed Pinion                                       |
| 26      | 6216H    | Shift Fork - R.H.  | 74      | 5001P    | E-Ring   |
| 27      | 6294H    | Shift Fork - R.H.  | 75      | 1533R    | Reverse Idler Gear                                     |
| 28      | 9912R    | Shift Shaft, High - Low Range  | 76      | 7382H    | Reverse Idler Gear Thrust Washer                       |
| 29      | 6269H    | Oil Seal   | 77      | 6252H    | Needle Bearing   |
| 30      | 5855H    | Pressure Relief Valve  | 78      | 5259H    | *Hex Nut 5/16" - 18 UNC                                |
| 31      | 633A65   | Gearcase, Reverse Idler Shaft and Bearings - R.H. (Inc. Key No. 17, 18, 25, 23, 50, 63, 76, 77 and 82) | 79      | 1187R    | Wash. Washer   |
| 32      | 6272H    | Dowel Pin  | 81      | 6270H    | Oil Seal   |
| 33      | 4223H    | Needle Bearing   | 82      | 7384H    | Reverse Idler Shaft                                    |
| 34      | 7398H    | Thrust Bearing Race  | 83      | 6364H    | Control Knob   |
| 35      | 4198R    | 4th Reduction Gear Shaft   | 84      | 6011H    | Gear Shift Lever - Bent                                |
| 36      | 4200R    | 4th Reduction Gear Shaft   | 85      | 9013R    | Gear Shift Cap   |
| 37      | 7398H    | Thrust Bearing Race  | 86      | 633A68   | Gear Shift Ball Cover and Pin                          |
| 38      | 6279H    | Gearcase Gasket  | 87      | 8739H1   | Shift Lever Guide Ball - Keyed                         |
| 39      | 633A64   | Gearcase and Bearings - L.H. (Inc. Key No. 18, 25, 45, 50 (2), 51 and 52)                              | 88      | 4244H    | Spring   |
| 40      | 4002P    | Pin Plug 1/2" - 14 N.P.T.  | 89      | 1053P    | *Washer 10/32 x 5/16 x 16 Ga.                          |
| 41      | 4015P    | Elbow 90° 1/2" - 14 N.P.T.   | 90      | 8105R    | *Shift Mechanism Seal                                  |
| 42      | 4014P    | 90° Tee 1/2" - 14 N.P.T. x 3   | 91      | 1569H    | *Shift Lever Seal                                      |
| 43      | 6274H    | Oil Seal   | 92      | 75J      | Gear Shift Gasket                                      |
| 44      | 6271H    | Oil Seal   | 93      | 6274H    | Shift Ball Cover Gasket                                |
| 45      | 6271H    | Oil Seal   | 94      | 2505P    | *Cover 1/8 x 3/4                                       |
| 46      | 4003P    | Pin Plug 1/4" - 18 N.P.T.  | 95      | 1003P    | *Lockwasher 6/16                                       |
| 47      | 3087P    | *Hex Bolt 5/16" - 18 x 1 - 1/2 Grade 5   | 96      | 3166P    | *Hex Bolt 5/16" - 18 UNC x 7/8                         |
| 48      | 1007P    | *Lockwasher 5/16 Extra Heavy   | 97      | 633A87   | Gear Shift Lever Assy.                                 |
|         |          |  | 98      | 633A84   | Transaxle Assembly Less Brake Drum & Shift Lever Assy. |

\*STANDARD HARDWARE-PURCHASE LOCALLY

### REPAIR PARTS

ROPER 14 H.P. GARDEN TRACTOR-MODEL NUMBER T4328BR  
TECUMSEH 4 CYCLE ENGINE-MODEL NUMBER OH140-1600398

ALL ENGINE PARTS MUST BE PURCHASED THROUGH AND SERVICE PERFORMED BY YOUR LOCAL TECUMSEH DEALER.



### REPAIR PARTS

ROPER 14 H.P. GARDEN TRACTOR-MODEL NUMBER T4328BR  
TECUMSEH 4 CYCLE ENGINE-MODEL NUMBER OH140-1600398

| KEY NO. | PART NO. | DESCRIPTION  | KEY NO. | PART NO. | DESCRIPTION  |
|---------|----------|--|---------|----------|--|
| 1       | 33523    | Cylinder Assy. (Inc. No's. 4, 33 & 141)                    | 34      | 30964    | Screw, Hex Hd. Sems, 1/4 - 20 x 1  |
| 2       | 31278    | Cup, Bearing   | 35      | 650268   | Screw, Hex Hd. Sems, 1/4 - 20 x 2  |
| 3       | 27652    | Pin, Dowel   | 36      | 32579    | Rod Assy. Governor   |
| 4       | 33397    | Crankshaft Assy. (Inc. No's. 3, 6, 7 & 8)                  | 37      | 32426    | Spacer, Governor Rod   |
| 5       | 22163    | Pin, Crankshaft Cap  | 38      | 29193    | Ring, Retaining  |
| 6       | 31931    | Gear, Crankshaft   | 39      | 33764    | Dist. Oil Pan (Inc. No. 40)  |
| 7       | 31932    | Bearing, Tapered Roller                                    | 40      | 29193    | O-Ring   |
| 8       | 31932    | Bearing, Tapered Roller                                    | 41      | 33474    | *Gasket, Cylinder Head   |
| 11      | 32001A   | Piston & Pin Assy. (Inc. No. 12) (Std.)                    | 42      | 31932    | *Gasket, Cylinder (Inc. No. 92)  |
| 11      | 32001B   | Piston & Pin Assy. (Inc. No. 12) (I/O oversize)            | 45      | 33657    | Plug, Spark (Champion L-85 or equivalent except for Canada)                  |
| 11      | 32003    | Piston & Pin Assy. (Inc. No. 12) (I/O oversize)            | 45      | 34046    | Restrictor Spark Plug (Canadian Regulated engine - B5 restrictor spark plug) |
| 11      | 32610    | Piston & Pin Assy. (Inc. No. 12) (I/O oversize)            | 46      | 650301   | Washer, Flat   |
| 11      | 32620    | Piston & Pin Assy. (Inc. No. 12) (I/O oversize)            | 47      | 650300   | Washer, Bellville  |
| 12      | 31910    | Ring, Piston Pin Retaining                                 | 48      | 650692   | Screw, Hex Hd. 5/16" - 18 x 1 - 3/4  |
| 13      | 32004    | Ring Set, Piston (Std.)                                    | 48      | 650746   | Screw, Hex Hd. 5/16" - 18 x 1 - 3/8  |
| 13      | 32002    | Ring Set, Piston (I/O oversize)                            | 50      | 33515    | *Gasket, Intake Pipe   |
| 13      | 32005    | Ring Set, Piston (I/O oversize)                            | 51      | 33476    | Pin, Intake  |
| 13      | 32003    | Ring Set, Piston (I/O oversize)                            | 53      | 79202B   | Screw, Hex Hd. Sems 5/16" - 18 x 7/8   |
| 13      | 32024    | Ring Set, Piston (I/O oversize)                            | 54      | 33476    | *Gasket, Carburetor  |
| 14      | 33033A   | Rod Assy., Connecting (Inc. No's. 15, 16 & 17)             | 55      | 33477A   | Elbow, Air Extension   |
| 15      | 32077    | Bolt, Connecting Rod                                       | 56      | 650278   | Screw, Fl. Hd. Sems, 5/16" - 18 x 1 - 1/8                                    |
| 16      | 26073    | Washer, Connecting Rod                                     | 57      | 33478    | Link, Governor   |
| 17      | 26264    | Nut, Lock  | 58      | 31983    | Link, Governor Adjusting   |
| 18      | 33170    | Camshaft (Mech. Compression Release)                       | 59      | 31984    | Clamp, Governor Lever  |
| 19      | 33472    | Liter, Valve (Std.)  | 60      | 625313   | Lockwasher No. 10 E.T.   |
| 20      | 33471    | Rad. Push  | 61      | 39312    | Screw, Hex Washer Hd., 10 - 32 x 1/2   |
| 21      | 33565    | Valve, Intake (Std.)                                       | 62      | 625264   | Screw, Flat Hd. Sems, 10 - 24 x 7/8  |
| 21      | 33565    | Valve, Intake (I/O oversize)                               | 63      | 7976     | Nut, Square, 10 - 24   |
| 22      | 33646    | Valve, Exhaust (Std.)                                      | 64      | 31985    | Plate, Governor Spring   |
| 22      | 33646    | Valve, Exhaust (I/O oversize)                              | 65      | 31984A   | Lever Assy., Control   |
| 23      | 33647    | Spring, Valve  | 66      | 28258    | Washer, Valve  |
| 24      | 33508    | Bytuner & Cap Set, Keeper Valve                            | 67      | 31987    | Bushing, Governor Lever  |
| 25      | 33509    | O-Ring   | 68      | 650307   | Screw, Hex Washer Hd., 10 - 24 x 5/8   |
| 26      | 33510    | Clc, Valve   | 69      | 31987    | Spring, Governor   |
| 27      | 33473    | Washer, Flat   | 70      | 650301   | Screw, Fl. Hd., 10 - 24 x 2  |
| 28      | 305745   | Washer, Flat   | 71      | 33509    | Spring, Locking  |
| 29      | 305745   | Washer, Flat   | 72      | 32059    | O-Ring   |
| 30      | 31948    | Spool, Governor  | 73      | 650306   | Washer, Lock   |
| 31      | 61567    | Gasket, Cylinder Cover                                     | 74      | 33578    | Waffle, Blower Housing   |
| 32      | 32085    | Cover Assy., Cylinder (Inc. No's. 33, 36, 37, 38, 40, 141) | 75      | 650501   | Screw, Hex Hd. Sems, 1/4 - 20 x 5/8  |
| 33      | 31950    | Soal, Oil  | 76      | 610900   | Flywheel   |
|         |          |  | 78      | 650504   | Nut, Flywheel  |
|         |          |  | 79      | 610900   | Magneto, Solid State (Inc. No's. 158 thru 160A)                              |

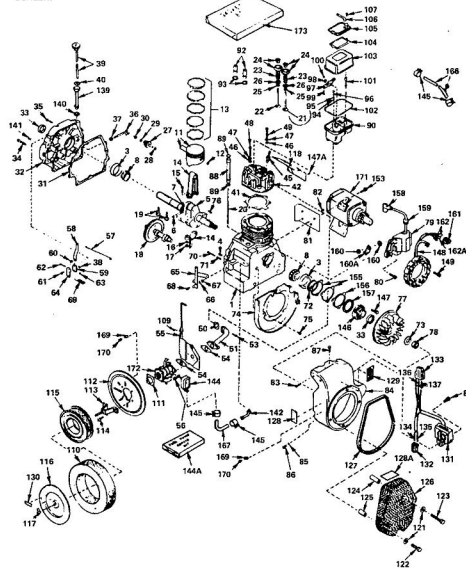
\*INDICATES PARTS INCLUDED IN GASKET SET KEY NO. 173)



### REPAIR PARTS

ROPER 14 H.P. GARDEN TRACTOR-MODEL NUMBER T4328BR  
TECUMSEH 4 CYCLE ENGINE-MODEL NUMBER OH140-160038R

ALL ENGINE PARTS MUST BE PURCHASED THROUGH AND SERVICE PERFORMED BY YOUR LOCAL TECUMSEH DEALER.



### REPAIR PARTS

ROPER 14 H.P. GARDEN TRACTOR-MODEL NUMBER T4328BR  
TECUMSEH 4 CYCLE ENGINE-MODEL NUMBER OH140-160038R

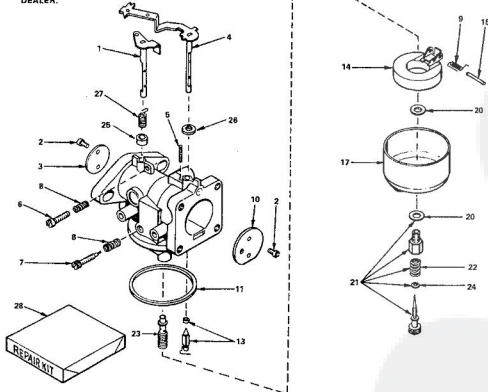
| KEY NO. | PART NO. | DESCRIPTION   | KEY NO. | PART NO. | DESCRIPTION                                    |
|---------|----------|---|---------|----------|--|
| 80      | 650661   | Screw, Fil. Hd. w/Conical Spring Lockwasher, 1/4" - 20 x 3/4  | 125     | 34379    | Spacer, Screen                                 |
| 81      | 33479    | Extension, Blower Housing                                     | 126     | 34376    | Screen Assy., Blower Housing (Inc. No. 34377)  |
| 82      | 36088    | Screw, Hex Hd. Sems. 1/4" - 20 x 1/2                          | 127     | 34377    | Seal, Guard                                    |
| 83      | 650751   | Screw, Hex Hd. w/Conical Spring Washer, 1/4" - 20 x 1/16      | 128     | 34346    | Decal, Name & Instruction                      |
| 84      | 33775A   | Housing, Blower   | 128A    | 34387    | Instruction Decal                              |
| 85      | 8274     | Lockwasher, Split, 5/16"                                      | 129     | 34316    | Decal, Name                                    |
| 86      | 650565   | Screw, Hex Hd., 5/16" - 24 x 3/8                              | 130     | 32554    | Decal, Air Cleaner                             |
| 87      | 650752   | Screw, Hex Hd. Sems., 1/4" - 20 x 7/16                        | 131     | 610988   | Regulator, Rectifier (Inc. No.'s 137 & 137A)   |
| 88      | 33481    | "O" Ring  | 132     | 610921   | Connector                                      |
| 89      | 33482    | Housing, Rocker Arm   | 133     | 610990   | Connector                                      |
| 90      | 33487    | Yoke Guide Kit (Inc. No. 93)                                  | 134     | 610952   | Terminal                                       |
| 91      | 33415    | Ring, Retaining   | 135     | 610989   | Terminal                                       |
| 92      | 33464    | Washer, Flat  | 136     | 610992   | Terminal                                       |
| 93      | 650168   | Screw, Flange Hex Hd., 1/4" - 20 x 28/32                      | 137     | 610991   | Terminal                                       |
| 94      | 33485    | Arm, Rocker   | 138     | 33468    | Oil Filter                                     |
| 95      | 33486    | Ring, Retaining   | 140     | 28673    | Gasket, Oil Fill Tube                          |
| 96      | 650755   | Screw, Adjusting  | 141     | 31927    | Plug, Pipe (2/8" - 18 Ga. Hd.)                 |
| 97      | 650466   | Nut, Hex  | 142     | 32958    | Fitting, Fuel Pump                             |
| 98      | 33496    | Stud, Rocker Arm Cover  | 143     | 32959    | Pump, Impulse Fuel                             |
| 99      | 31658    | Cover, Rocker Arm   | 144A    | 33010    | Repair Kit, Impulse Fuel Pump                  |
| 100     | 31659    | Gasket, Breather  | 145     | 25610    | Camo, Fuel Line                                |
| 101     | 33488    | Body Assy., Breather  | 146     | 32577    | Cover, Cylinder (See Note 1)                   |
| 102     | 30102    | Screw, Hex Washer Hd. Sems. w/Mastic Coating, 1/4" - 20 x 5/8 | 147     | 32028    | Screw, Hex Hd. Sems. 5/16" - 18 x 7/8          |
| 103     | 33488    | Cover, Rocker Arm   | 147A    | 650738   | Screw, Pan Hd., 10 - 16 x 3/8                  |
| 104     | 31658    | Gasket, Breather  | 148     | 610902   | Coil Assy., Alternator (Inc. No.'s 151 & 152A) |
| 105     | 33489    | Body Assy., Breather  | 149     | 650521   | Screw, Fil. Hd. Sems 10 - 32 x 1 - 1/4"        |
| 106     | 33490    | Screw, Hex Washer Hd. Sems. w/Mastic Coating, 1/4" - 20 x 5/8 | 150     | 650781   | Screw, Hex Hd. Sems. 5/16" - 18 x 11"          |
| 107     | 650738   | Screw, Hex Washer Hd. Spinalock th'd Coating, 1/4" - 20 x 5/8 | 151     | 31972    | Gasket, Shim (205/007 thick, see note 1)       |
| 110     | 22906    | Filter, Pre-Air   | 152     | 30031    | Spacer, Steel (010 thick, see note 1)          |
| 111     | 33492    | Gasket, Air Cleaner   | 153     | 610118   | Cover, Spark Plug                              |
| 112     | 33777    | Bracket, Air Cleaner  | 154     | 610408   | Nut, Hex. 8 - 32                               |
| 113     | 33778    | Bracket, Air Cleaner  | 155     | 610760   | Terminal                                       |
| 114     | 650289   | Screw, Fil. Hd. Sems. 10 - 32 x 5/8                           | 156     | 610903   | Connector, Pyramid                             |
| 115     | 22907    | Element, Air Cleaner  | 157     | 610905   | Terminal                                       |
| 116     | 22904    | Cover, Air Cleaner  | 158     | 810904   | Terminal                                       |
| 117     | 650513   | Nut, Hex  | 159     | 32962    | Line, Fuel                                     |
| 118     | 33495    | Cover, Cylinder Head  | 160     | 34367    | Line, Fuel                                     |
| 119     | 27028    | Washer, Lock  | 161     | 27953    | Clip, Corbel                                   |
| 120     | 650288   | Screw, Truss Hd. 1/4" - 28 x 1 - 3/8                          | 162     | 28842    | Screw, Hex Hd. Sems. 10 - 32 x 3/8             |
| 121     | 650309   | Screw, Truss Hd. 1/4" - 28 x 1 - 9/16                         | 163     | 33832    | Motor, Starter (12 Volt) (Inc. No. 152)        |
| 122     | 34378    | Spacer, Screen  | 164     | 650302   | Carburetor (Inc. No. 54)                       |
| 123     |          |   | 165     | 33816A   | Gasket Set (Inc. items marked *)               |

\*Indicates Parts Included in Gasket Set Key No. 173  
NOTE: Determine the gap between the cover and the machined surface on the cylinder, which can be from .001" up to .007" in which case no shim gaskets will be required. Use of gaskets must be limited to a combined total of .010" thick. Steel spacers must be used as required to eliminate crankshaft end play.

### REPAIR PARTS

ROPER 14 H.P. GARDEN TRACTOR-MODEL NUMBER T4328BR  
TECUMSEH 4 CYCLE ENGINE-MODEL NUMBER OH140-160038R

CARBURETOR NO. 632032  
ALL ENGINE PARTS MUST BE PURCHASED THROUGH AND SERVICE PERFORMED BY YOUR LOCAL TECUMSEH DEALER.

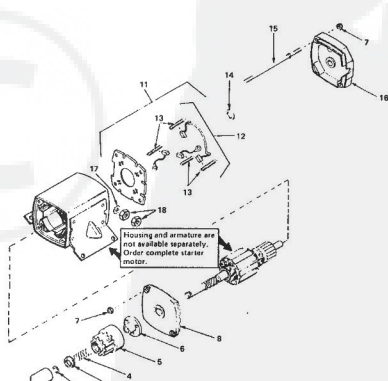


| KEY NO. | PART NO. | DESCRIPTION                                      | KEY NO. | PART NO. | DESCRIPTION   |
|---------|----------|--|---------|----------|---|
| 1       | 631681   | Shaft & Lever Assy., Throttle (Inc. Key No. 2)   | 11      | 27109    | *Gasket, Bowl-to-Body                                     |
| 2       | 30357    | Screw, Rd. Hd., 6 - 32 x 3/16 (Early Production) | 13      | 632024   | *Valve, Seat & Spring Assy. (Inc. No. 9)                  |
| 3       | 650506   | Screw, Pan Hd., 4 - 40 x 3/16 (Late Production)  | 14      | 27105    | Float   |
| 4       | 631682   | Shutter, Throttle                                | 15      | 27106    | *Shaft, Float   |
| 5       | 631683   | Shaft & Lever Assy., Choke (Inc. Key No. 2)      | 17      | 29170    | Bowl, Fuel  |
| 6       | 27113    | Spring, Choke Stop                               | 20      | 27110    | *Gasket, Bowl-to-Body                                     |
| 7       | 650289   | Screw, Throttle Adjusting                        | 21      | 631764   | *Needle Assy., Power Adjusting (Inc. No. 8, 20, 22, & 24) |
| 8       | 27112    | Needle, Idle Adjusting                           | 22      | 630768   | Spring, Adjusting Needle                                  |
| 9       | 27114    | Spring, Adjusting                                | 24      | 27544    | "O" Ring  |
| 10      | 632017   | Spring, Float Shaft                              | 25      | 632028   | Seal, Throttle Shaft Dust                                 |
|         |          |  | 26      | 632040   | Seal, Choke Shaft Dust                                    |
|         |          |  | 27      | 32096    | Spring, Throttle Return                                   |
|         |          |  | 28      | 632033   | Repair Kit (Inc. Items Marked *)                          |

### REPAIR PARTS

ROPER 14 H.P. GARDEN TRACTOR-MODEL NUMBER T4328BR  
TECUMSEH 4 CYCLE ENGINE-MODEL NUMBER OH140-160038R

STARTER MOTOR NO. 33835  
ALL ENGINE PARTS MUST BE PURCHASED THROUGH AND SERVICE PERFORMED BY YOUR LOCAL TECUMSEH DEALER.

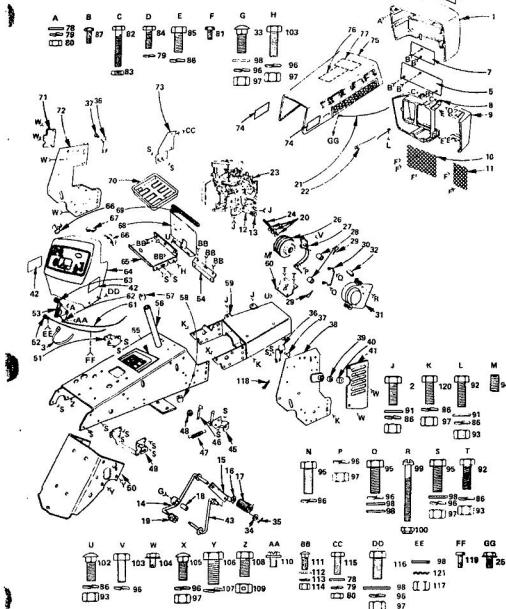


| KEY NO. | PART NO. | DESCRIPTION                     | KEY NO. | PART NO. | DESCRIPTION                                |
|---------|----------|---------------------------------|---------|----------|--|
| 1       | 33841    | Cover, Dust                     | 12      | 33849    | Brush & Spring Kit (Inc. 4 pos. of No. 13) |
| 2       | 33842    | Ring, Retainer                  | 13      | 33850    | Spring, Brush                              |
| 3       | 33843    | Retainer, Spring                | 14      | 500650   | Washer, Thrust                             |
| 4       | 33844    | Screw, Anti-Dirt                | 15      | 33511    | Bolt, 10 - 32 x 1-1/4                      |
| 5       | 33845    | Cap, Engaging                   | 16      | 33852    | Cap Assy., Commutator end                  |
| 6       | 33433    | Nut, Engaging                   | 17      | 650168   | Washer, 1/16"                              |
| 7       | 33450    | Nut, Lock                       | 18      | 650723   | Nut, Hex                                   |
| 8       | 33845    | Cap Assy., Drive End            |         |          |  |
| 11      | 33848    | Carb Assy., Brush (Inc. No. 12) |         |          |  |



**REPAIR PARTS**

ROPER 16T GARDEN TRACTOR-MODEL NO. T6328AR  
MAIN FRAME, DASH AND GRILL



**REPAIR PARTS**

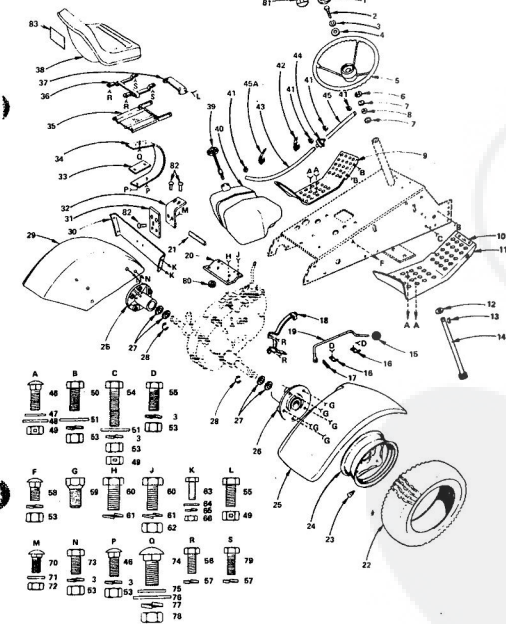
ROPER 16T GARDEN TRACTOR-MODEL NO. T6328AR  
MAIN FRAME, DASH AND GRILL

| KEY NO. | PART NO. | DESCRIPTION  | KEY NO. | PART NO. | DESCRIPTION  |
|---------|----------|--|---------|----------|--|
| 1       | 811J     | Grill - Upper  | 66      | 107J     | Battery Heat Shield  |
| 2       | 3012P    | Hex Bolt 5/16 - 18 x 1 - 1/4                             | 69      | 784R     | Battery Tray   |
| 3       | 6106R    | Trim - Wire  | 70      | 806AR    | Battery - 17V  |
| 4       | 246J     | Decal - Grill  | 71      | 88J      | Cover - L.H.   |
| 5       | 231J     | Grill Panel - Upper                                      | 72      | 113J     | Bracket - Battery Support - L.H.                                     |
| 6       | 290J     | Grill Panel - Lower                                      | 73      | 1181J    | Bracket - Receiver   |
| 7       | 805J     | Grill - Lower  | 74      | 246J     | Decal - Report Logo  |
| 8       | 793R     | Grill Side   | 75      | 634AR7   | Mood Assy  |
| 9       | 824R     | Grill Screen - L.H.                                      | 76      | 802R     | Decal - Instruction  |
| 10      | 2672R    | Grill Screen - R.H.                                      | 77      | 292J     | Decal - Wiring   |
| 11      | 4016P    | Pipe Washer 3/8 - 18 N.P.T. x 4 - 1/2                    | 78      | 1066P    | Washer 9/32 x 3/8 x 1/8 Ga.  |
| 12      | 4016P    | Pipe Cap 3/8 - 18 N.P.T.                                 | 79      | 1032P    | Lockwasher 1/4   |
| 13      | 634A901  | Flare Weldment   | 80      | 502P     | Hex Nut 1/4 - 20 UNC   |
| 14      | 634A901  | Flare Weldment   | 81      | 5501P    | Phillips Pan Ins. Thrd. Self Tap 1/8 - 24 x 3/8 Type 1               |
| 15      | 92J      | Push-On Nut  | 82      | 2567P    | *Hex Bolt 1/4 - 20 x 1 - 1/2 Grade 5                                 |
| 16      | 92J      | Push-On Nut  | 83      | 1056H    | Lockwasher 1/4 - 20 UNC  |
| 17      | 91J      | Washer 1/16 x 2 x .140                                   | 84      | 3003P    | *Hex Bolt 1/4 - 20 x 3/4   |
| 18      | 91J      | Washer 1/16 x 2 x .140                                   | 85      | 3011P    | *Hex Bolt 5/16 - 18 x 3/4  |
| 19      | 1006P    | Grill Cable  | 86      | 1003P    | *Lockwasher 5/16   |
| 20      | 1006P    | Grill Cable  | 87      | 555AP    | Phillips Pan Ins. Thrd. Self Tap 1/8 - 24 x 3/8 Type 1               |
| 21      | 101J     | Grill Brace  | 88      | 1537P    | 10 - 10 Hex-Loc Thrd x 1/2 Blue Point Washer 11/32 x 11/16 x 1/8 Ga. |
| 22      | 4314R    | Spring, Saddle and Strutton 18 H.P.                      | 89      | 9211P    | *Hex Bolt 5/16 - 18 x 1  |
| 23      | 4314R    | Spring, Saddle and Strutton 18 H.P.                      | 90      | 524P     | Hex Nut 5/16 - 18 UNC  |
| 24      | 898E     | Hex Washer Hd. Thrd. Cutting Screw 1/4 - 20 x 3/4 Type T | 94      | 4540P    | Hex Flanged Socket Adhes. Set Screw 5/16 - 18 x 1                    |
| 25      | 1584P    | Hex Washer Hd. Thrd. Cutting Screw 1/4 - 20 x 3/4 Type T | 95      | 1022P    | *Hex Bolt 3/8 - 16 x 1   |
| 26      | 634A104  | Flare Weldment   | 96      | 3022P    | Lockwasher 3/8 - 16 UNC  |
| 27      | 634A104  | Flare Weldment   | 97      | 5011P    | Hex Nut 3/8 - 16 UNC   |
| 28      | 4830A    | Retainer Spring  | 98      | 1004P    | Hex Nut 3/8 - 16 x 1   |
| 29      | 4830A    | Retainer Spring  | 99      | 5011P    | Hex Nut 3/8 - 16 UNC   |
| 30      | 634A500  | Self Seal  | 100     | 3114P    | Carriage Bolt 5/16 - 18 x 3/4  |
| 31      | 634A500  | Self Seal  | 101     | 3114P    | Carriage Bolt 5/16 - 18 x 3/4  |
| 32      | 56P      | Sp. Neck Carriage Bolt 3/8 - 16 x 2 - 1/4                | 102     | 519AP    | Phillips No. 114 - 20 UNC 1/4 - 20 x 2                               |
| 33      | 56P      | Sp. Neck Carriage Bolt 3/8 - 16 x 2 - 1/4                | 103     | 519AP    | Phillips No. 114 - 20 UNC 1/4 - 20 x 2                               |
| 34      | 634A500  | Self Seal  | 104     | 525P     | Hex Washer Hd. Thrd. Cutting Screw 1/4 - 20 x 1/2 Type T             |
| 35      | 2566P    | Hex Washer Hd. Thrd. Cutting Screw 1/4 - 20 x 1/2 Type T | 105     | 61P      | Sp. Neck Carriage Bolt - Short Shoulder 3/8 - 16 x 1 Gr. 5           |
| 36      | 634A500  | Self Seal  | 106     | 3038P    | *Hex Bolt 3/8 - 16 x 1 - 1/4   |
| 37      | 8427R    | Support Bumper   | 107     | 1003P    | *Lockwasher 1/4 - 20 UNC   |
| 38      | 634A500  | Self Seal  | 108     | 3021P    | Locknut 3/8 - 16 UNC   |
| 39      | 7766R    | Bearing  | 109     | 536P     | Hex Nut 3/8 - 16 x 1   |
| 40      | 7766R    | Bearing  | 110     | 6055P    | Hex Nut 3/8 - 16 x 1   |
| 41      | 7722R    | Cover - R.H.   | 111     | 53P      | Locknut 3/8 - 16 UNC   |
| 42      | 7722R    | Cover - R.H.   | 112     | 1036P    | Washer 7/32 x 11/16 x 1/8 Ga.  |
| 43      | 634A500  | Self Seal  | 113     | 1005P    | Lockwasher No. 10  |
| 44      | 634A500  | Self Seal  | 114     | 1005P    | Lockwasher No. 10  |
| 45      | 7844R    | Hex Washer Hd. Thrd. Front                               | 115     | 3114P    | Carriage Bolt 5/16 - 18 x 3/4  |
| 46      | 7844R    | Hex Washer Hd. Thrd. Front                               | 116     | 3114P    | Carriage Bolt 5/16 - 18 x 3/4  |
| 47      | 7844R    | Hex Washer Hd. Thrd. Front                               | 117     | 516P     | Hex Nut 3/8 - 16 x 1   |
| 48      | 7810R    | Locknut 3/8 - 24 UNF                                     | 118     | 516P     | Hex Nut 3/8 - 16 x 1   |
| 49      | 634A500  | Self Seal  | 119     | 6592P    | Serrated Pan Hd. Self Tap Screw 1/4 - 20 x 3/8 Type AB               |
| 50      | 634A500  | Self Seal  | 120     | 3137P    | *Hex Bolt 3/8 - 16 x 1 - 1/4 Gr. 5                                   |
| 51      | 634A500  | Self Seal  | 121     | 1402P    | Ext. Tooth Lockwasher - 3/8  |
| 52      | 7161J    | Choke Control  |         |          |  |
| 53      | 7171J    | Choke Control (Inc. Key 61, 62 & 63)                     |         |          |  |
| 54      | 97J      | Adapter Bar  |         |          |  |
| 55      | 984R     | *Decal - Shift Return (Inc. Key 57 & 58)                 |         |          |  |
| 56      | 634A500  | Self Seal  |         |          |  |
| 57      | 4766R    | Bearing  |         |          |  |
| 58      | 634A500  | Self Seal  |         |          |  |
| 59      | 96J      | Grill Spacer   |         |          |  |
| 60      | 96J      | Grill Spacer   |         |          |  |
| 61      | 851J     | Throttle Wire & Covering                                 |         |          |  |
| 62      | 825AR    | Clamp  |         |          |  |
| 63      | 634A500  | Self Seal  |         |          |  |
| 64      | 634A500  | Self Seal  |         |          |  |
| 65      | 105J     | Dashboard (Inc. Key No's. 66 and 67)                     |         |          |  |
| 66      | 1998R    | Clip - Dashboard   |         |          |  |
| 67      | 6971R    | Clip - Dashboard, Center                                 |         |          |  |

\*STANDARD HARDWARE - PURCHASE LOCALLY

**REPAIR PARTS**

ROPER 16T GARDEN TRACTOR-MODEL NO. T6328AR  
STEERING AND FINAL DRIVE



**REPAIR PARTS**

ROPER 16T GARDEN TRACTOR-MODEL NO. T6328AR  
STEERING AND FINAL DRIVE

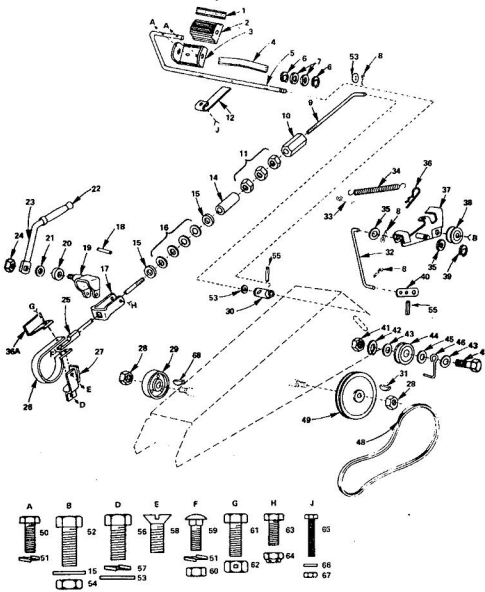
| KEY NO. | PART NO. | DESCRIPTION                    | KEY NO. | PART NO. | DESCRIPTION   |
|---------|----------|--------------------------------|---------|----------|---|
| 1       | 9718R    | Steering Wheel Insert          | 46      | 61P      | Sp. Nk. Shd. Carr. Bolt 3/8 - 16 x 1 Gr. 5            |
| 2       | 3023P    | *Hex Bolt 3/8 - 16 x 1         | 47      | 1512P    | Washer 11/32 x 13/16 x 18 Ga.                         |
| 3       | 1004P    | Lockwasher 3/8                 | 48      | 1519P    | Washer 15/32 x 1 x 12 Ga.                             |
| 4       | 1552P    | Washer 7/16 x 1 x 10 Ga.       | 49      | 6264H    | Locknut 3/8 UNC                                       |
| 5       | 3044E    | Steering Wheel                 | 50      | 3025P    | *Hex Bolt 3/8 - 16 x 1 - 1/4                          |
| 6       | 5003P    | E-Ring                         | 51      | 1553P    | Washer 13/32 x 3/16 x 11 Ga.                          |
| 7       | 9007H    | Cap                            | 52      | 5011P    | *Hex Nut 3/8 - 16 UNC                                 |
| 8       | 5949H    | Rubber Bushing                 | 53      | 5011P    | *Hex Nut 3/8 - 16 UNC                                 |
| 9       | 7903R    | Floor Rest - L.H.              | 54      | 3027P    | *Hex Bolt 3/8 - 16 x 1 - 1/2                          |
| 10      | 7903R    | Floor Rest - L.H.              | 55      | 3027P    | *Hex Bolt 3/8 - 16 x 1 - 1/2                          |
| 11      | 7903R    | Floor Rest - R.H.              | 56      | 3010P    | *Hex Bolt 5/16 - 18 x 3/4                             |
| 12      | 1653P    | Washer 5/16 x 1 - 1/4 x 16 Ga. | 57      | 1002P    | *Lockwasher 5/16                                      |
| 13      | 9850M    | Woodruff Key 3/16 x 5/8        | 58      | 18P      | Hub Bolt  |
| 14      | 634A216  | Steering Shaft and Pinion      | 59      | 1304H    | Hub Bolt  |
| 15      | 7907H    | Control Knob                   | 60      | 3044P    | *Hex Bolt 7/16 - 14 x 1                               |
| 16      | 6442H    | Shift Rod Bracket              | 61      | 1001P    | *Lockwasher 7/16                                      |
| 17      | 2511P    | *Cotter Pin 3/16 x 1           | 62      | 600P     | *Hex Nut 7/16 - 14 UNC                                |
| 18      | 634A22A  | Shift Rod Bracket              | 63      | 3003P    | *Hex Bolt 1/4 - 20 x 3/4                              |
| 19      | 6477H    | Range Shift Rod                | 64      | 1506P    | Washer 8/32 x 8/8 x 16 Ga.                            |
| 20      | 9604R    | Transmission Bracket           | 65      | 1002P    | *Lockwasher 1/4                                       |
| 21      | 8874R    | Seat Stop                      | 66      | 1002P    | *Lockwasher 1/4                                       |
| 22      | 3858R    | Rear Tire 23 x 8.5D - 12       | 67      | 603P     | *Hex Nut 1/4 - 20 UNC                                 |
| 23      | 795R     | Tire Valve                     | 68      | 603P     | *Hex Nut 1/4 - 20 UNC                                 |
| 24      | 3858R    | Rear Wheel 12 x 7 JA           | 69      | 70P      | Short Shoulder Sp. Neck Carriage Bolt 5/16 - 18 x 3/4 |
| 25      | 634A692  | Rear Wheel Hub and Bushing     | 70      | 1855H    | Lock Nut 5/16 - 18 UNC                                |
| 26      | 7503R    | Axle Thrust Washer             | 71      | 3021P    | *Hex Bolt 3/8 - 16 - 204                              |
| 27      | 7503R    | Axle Thrust Washer             | 72      | 52P      | Carriage Bolt 1/2 - 13 x 1 - 1/4 Gr. 5                |
| 28      | 8845R    | Retaining Ring                 | 73      | 1578P    | Washer 21/4 x 1 - 108 x 11 Ga.                        |
| 29      | 9427E    | Fender - L.H.                  | 74      | 1660P    | Washer 17/32 x 1 - 1/2 x 11 Ga.                       |
| 30      | 2658R    | Bracket - Tail Light           | 75      | 1000P    | *Lockwasher 1/2                                       |
| 31      | 125J     | Seat Stop Retainer             | 76      | 502P     | *Hex Nut 1/2 - 13 UNC                                 |
| 32      | 125J     | Seat Stop Retainer             | 77      | 1000P    | *Lockwasher 1/2                                       |
| 33      | 8141H    | Seat Spring Reinforcement      | 78      | 235J     | Steering Wheel Decal                                  |
| 34      | 7988R    | Seat Spring                    | 79      | 3158P    | Rubber Grommet  |
| 35      | 634A710  | Self Seal                      | 80      | 9647R    | Decal   |
| 36      | 634A522  | Self Seal                      | 81      | 235J     | Warranty Fast Tag                                     |
| 37      | 7997R    | Bracket, Seat Pivot            | 82      | 244J     | Owners Manual   |
| 38      | 9744E    | Seat                           | 83      | 245J     | Decal   |
| 39      | 7886R    | Fuel Gauge                     | 84      | 9123     | Warranty Fast Tag                                     |
| 40      | 7886R    | Fuel Gauge                     | 85      | 273J     | Owners Manual   |
| 41      | 8999R    | Fuel Line Clamp                |         |          |   |
| 42      | 2751R    | Clip - Fuel Line               |         |          |   |
| 43      | 8373R    | Fuel Line (Long)               |         |          |   |
| 44      | 205J     | In-Line Filter                 |         |          |   |
| 45      | 135J     | Fuel Line                      |         |          |   |
| 46      | 9297R    | Clip - Fuel Line               |         |          |   |

\*STANDARD HARDWARE - PURCHASE LOCALLY

**REPAIR PARTS**

ROPER 16T GARDEN TRACTOR-MODEL NO. T6328AR

**BRAKE AND CLUTCH**



**REPAIR PARTS**

ROPER 16T GARDEN TRACTOR-MODEL NO. T6328AR

**BRAKE AND CLUTCH**

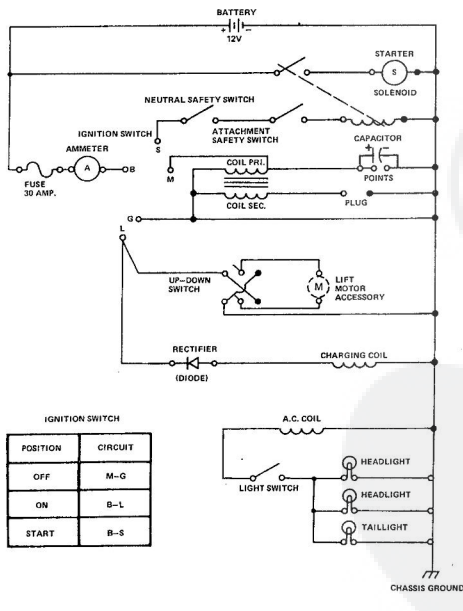
| KEY NO. | PART NO. | DESCRIPTION                        | KEY NO. | PART NO. | DESCRIPTION                            |
|---------|----------|------------------------------------|---------|----------|--|
| 1       | 8899R    | Insert Clutch-Brake                | 37      | 634A754  | Inlet Bracket Weldment                 |
| 2       | 8828R    | Foot Pedal                         | 38      | 8636H    | U-bolts                                |
| 3       | 8165H    | Foot Pedal Bracket                 | 39      | 5002P    | E-Ring                                 |
| 4       | 9008H    | Spring                             | 40      | 634A888  | Support Arm Assembly                   |
| 5       | 1113     | E-Ring                             | 41      | 5000P    | *Hex Nut 7/16 - 14 UNC                 |
| 6       | 5005P    | *Hex Nut 3/8 - 24 UNF              | 42      | 1001P    | *Lockwasher 7/16                       |
| 7       | 1527P    | Washer 21/32 x 7/8 x 16 Ga.        | 43      | 1544P    | *Washer 15/32 x 15/16 x 16 Ga.         |
| 8       | 2005P    | *Hex Nut 3/8 - 24 UNF              | 44      | 8636H    | Flat Washer                            |
| 9       | 2002R    | Brake Rod - Front                  | 45      | 1520P    | Washer 4/8 I.D. x 1 - 1/8 x 11 Ga.     |
| 10      | 8617H    | Handlock                           | 46      | 6479H1   | *Ball Finger                           |
| 11      | 501P     | *Hex Nut 3/8 - 16 UNC              | 47      | 3262P    | *Hex Bolt 7/16 - 14 x 2 - 1/2          |
| 12      | 7823R    | Safety Switch Actuator             | 48      | 2082R    | Valve                                  |
| 13      | 1587P    | Washer 13/32 x 13/16 x 11 Ga.      | 49      | 6461H2   | Pulley, Transmission                   |
| 14      | 2201R    | Washer                             | 50      | 3002P    | *Hex Bolt 1/4 - 20 x 3/4               |
| 15      | 2263R    | Spring Washer                      | 51      | 1002P    | *Lockwasher 1/4                        |
| 16      | 9686R    | Parking Brake Yoke                 | 52      | 3052P    | *Fin. Hex Bolt 3/8 - 24 x 1            |
| 17      | 1254     | Rod Pin                            | 53      | 1513P    | *Washer 13/32 x 13/16 x 16 Ga.         |
| 18      | 634A887  | Lock Bracket Assembly              | 54      | 548P     | *Hex Jam Nut 3/8 - 24 UNF              |
| 19      | 4379H    | Spacer                             | 55      | 5142H    | Roll Pin                               |
| 20      | 5099H    | Spring Washer                      | 56      | 3022P    | *Hex Bolt 3/8 - 16 x 7/8               |
| 21      | 4379H    | Handlock                           | 57      | 1004P    | *Lockwasher 3/8                        |
| 22      | 626A341  | Parking Lock Handle Assembly       | 58      | 3164P    | Flat Hd. Machine Screw - Undercut      |
| 23      | 7810H    | Spring Castlelock Nut 3/8 - 24 UNF | 59      | 111P     | *St. Neck Carriage Bolt 1/4 - 20 x 5/8 |
| 24      | 636A365  | Brake Rod Assembly                 | 60      | 5003P    | *Hex Nut 1/4 - 20 UNC                  |
| 25      | 634A167  | Brake Rod and Lining               | 61      | 3158P    | *Hex Bolt 5/16 - 18 x 7/8              |
| 26      | 634A158  | Brake Bracket Assembly             | 62      | 1889H    | Locknut 5/16 - 18 UNC                  |
| 27      | 9268R    | Lock Nut 1/2 - 20 UNF              | 63      | 5244P    | *Hex Bolt 1/4 - 20 x 5/8 Gt. 5         |
| 28      | 7868H1   | Brake Arm Assembly                 | 64      | 5074H    | Hublock Nut 1/4 - 28 UNF               |
| 29      | 634A899  | Brake Arm Assembly                 | 65      | 3238P    | *Hex Hd. Mach. Screw 6 - 32 x 1        |
| 30      | 9686R1   | Brake Arm Assembly                 | 66      | 1567P    | Washer 5/32 x 3/8 x 20 Ga.             |
| 31      | 9268R    | *Clutch Rod                        | 67      | 5026P    | *Centerlock Nut 6 - 32 UNC             |
| 32      | 2514P    | *Cutting Pin 1/4 x 1               | 68      | 4728M    | Woodruff Key                           |
| 33      | 6488H4   | Spring                             |         |          |  |
| 34      | 1587P    | *Washer 11/32 x 1 - 17/16 x 21 Ga. |         |          |  |
| 35      | 4936M    | Resistor Spring                    |         |          |  |
| 36A     | 544J     | Hose Shield                        |         |          |  |

\*STANDARD HARDWARE-PURCHASE LOCALLY

**REPAIR PARTS**

16T GARDEN TRACTOR-MODEL NO. T6328AR

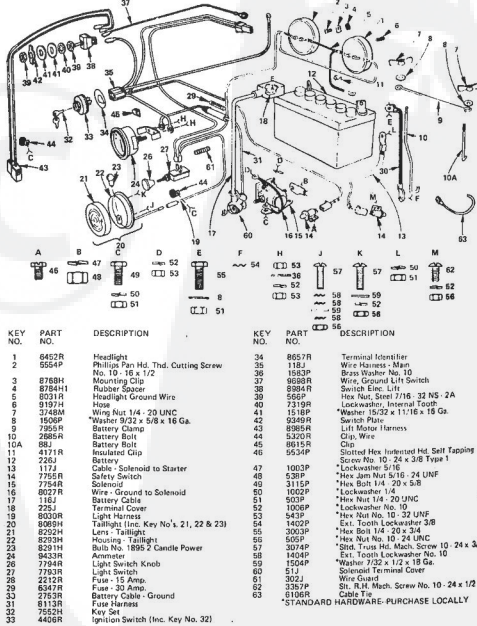
**ELECTRICAL**



**REPAIR PARTS**

ROPER 16T GARDEN TRACTOR-MODEL NO. T6328AR

**ELECTRICAL**



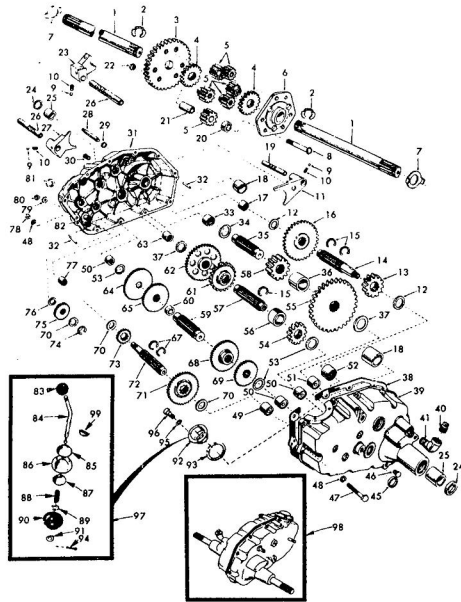
| KEY NO. | PART NO. | DESCRIPTION   | KEY NO. | PART NO. | DESCRIPTION   |
|---------|----------|---|---------|----------|---|
| 1       | 6452R    | Headlight   | 34      | 8657R    | Terminal Identifier   |
| 2       | 5554P    | Phillips Pan Hd. Thd. Cutting Screw No. 10 - 18 x 1/2 | 35      | 118J     | Wire Harness - Main   |
| 3       | 8768H    | Mounting Clip   | 36      | 1883P    | Wire, Ground Lift Switch  |
| 4       | 8768H1   | Rubber Spacer   | 37      | 8688R    | Switch Line, Lift   |
| 5       | 8031R    | Headlight Ground Wire                                 | 38      | 8864R    | *Hex Nut, Steel 7/16 - 32 NS - 2A                                     |
| 6       | 9127H    | Hose  | 39      | 556P     | Lockwasher, Integral Tooth  |
| 7       | 3748M    | Wing Nut 1/4 - 20 UNF                                 | 40      | 7119P    | *Washer 15/32 x 11/16 x 15 Ga   |
| 8       | 1506P    | *Washer 9/32 x 9/8 x 16 Ga.                           | 41      | 1518P    | Switch Plate  |
| 9       | 7952R    | Battery Clamp   | 42      | 6566R1   | Lift Motor Terminals  |
| 10      | 2865H    | Battery Bolt  | 43      | 8986R    | Clip, Wire  |
| 10A     | 881      | Battery Bolt  | 44      | 8615R    | Clip  |
| 11      | 4117R    | Battery   | 45      | 6524P    | Slotted Hex Insulated Hd. Self Tapping Screw No. 10 - 24 x 3/8 Type 1 |
| 12      | 226J     | Battery   | 46      | 1003P    | *Lockwasher 5/16  |
| 13      | 117J     | Cable, Solenoid to Starter                            | 47      | 538P     | *Hex Nut 1/4 - 20 x 5/8   |
| 14      | 7955R    | Safety Switch   | 48      | 3115P    | *Lockwasher 1/4   |
| 15      | 7754R    | Solenoid  | 49      | 1002P    | *Hex Nut 1/4 - 20 UNC   |
| 16      | 8027R    | Wire - Ground to Solenoid                             | 50      | 1006P    | *Lockwasher No. 10  |
| 17      | 18J      | Battery Cable   | 51      | 523P     | *Hex Nut 1/4 - 20 UNF   |
| 18      | 225J     | Terminal Cover  | 52      | 1009P    | *Lockwasher No. 10  |
| 19      | 8028R    | Light Harness   | 53      | 3022P    | *Hex Nut 1/4 - 20 x 3/4   |
| 20      | 8069H    | Taillight (Inc. Key No's 21, 22 & 23)                 | 54      | 1402P    | Ext. Tooth Lockwasher 3/8   |
| 21      | 8252H    | Light - Taillight                                     | 55      | 3022P    | *Hex Nut 1/4 - 20 x 3/4   |
| 22      | 8253H    | Housing - Taillight                                   | 56      | 502P     | *Hex Nut 1/4 - 20 x 1/2 UNC   |
| 23      | 8251H    | Bulb No. 18W x Candle Power                           | 57      | 1008P    | *Std. Truss Hd. Mach. Screw 10 - 24 x 3/4                             |
| 24      | 9423R    | Ammeter   | 58      | 1504P    | Ext. Tooth Lockwasher No. 10  |
| 25      | 7768H    | Light Switch Knob                                     | 59      | 1504P    | *Washer 7/32 x 1/2 x 18 Ga.   |
| 26      | 7768H    | Light Switch Knob                                     | 60      | 3022P    | *Hex Nut 1/4 - 20 x 3/4   |
| 27      | 7768H    | Light Switch Knob                                     | 61      | 3022P    | Wire Guard  |
| 28      | 2212R    | Fuse - 15 Amp.  | 62      | 3022P    | Std. Truss Hd. Mach. Screw No. 10 - 24 x 1/2                          |
| 29      | 8547R    | Fuse - 30 Amp.  | 63      | 6106R    | Clutch Pin  |
| 30      | 7753R    | Battery Cable - Ground                                |         |          |   |
| 31      | 8113R    | Fuse Harness  |         |          |   |
| 32      | 7752H    | Key 24  |         |          |   |
| 33      | 4406R    | Ignition Switch (Inc. Key No. 32)                     |         |          |   |

\*STANDARD HARDWARE-PURCHASE LOCALLY

### REPAIR PARTS

ROPER 16T GARDEN TRACTOR—MODEL NO. T6328AR

#### TRANSAXLE



### REPAIR PARTS

ROPER 16T GARDEN TRACTOR—MODEL NO. T6328AR

#### TRANSAXLE

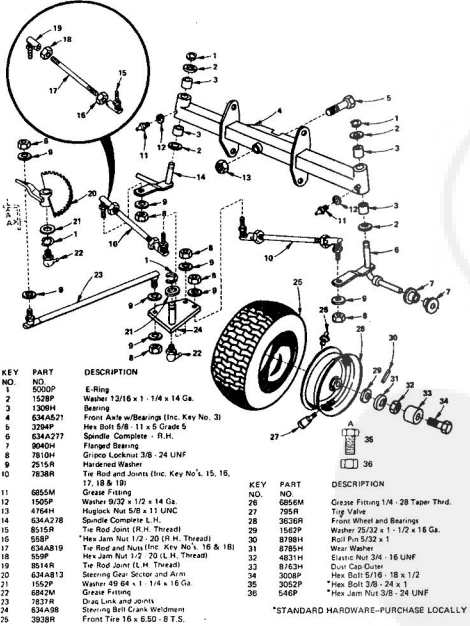
| KEY NO. | PART NO. | DESCRIPTION  | KEY NO. | PART NO. | DESCRIPTION                                     |
|---------|----------|--|---------|----------|---|
| 1       | 4197R    | Axle Shaft   | 49      | 4895H    | Needle Bearing                                  |
| 2       | 5845R    | Rotating Ring  | 50      | 4227R    | Needle Bearing                                  |
| 3       | 4199R    | Final Drive Gear   | 51      | 1529R    | Needle Bearing                                  |
| 4       | 4215R    | Differential Gear  | 52      | 8119R    | Needle Bearing                                  |
| 5       | 4215R    | Differential Pinion  | 53      | 4220R    | Thrust Bearing Race                             |
| 6       | 4217R    | Differential Carrier   | 54      | 4209R    | 3rd Reduction Pinion - Low                      |
| 7       | 6256H    | Axle Thrust Washer   | 55      | 4213R    | 4th Reduction Gear                              |
| 8       | 3056P    | Hex Bolt 3/8 - 24 UNF x 3 - 1/4 (1" Thread Length)   | 56      | 4442R    | 3rd Reduction Pinion Spacer                     |
| 9       | 7392M    | Steel Ball   | 57      | 4185R    | 2nd Reduction Gear Shaft                        |
| 10      | 6272H    | Spring Shift Fork Detent   | 58      | 4214R    | Final Drive Pinion                              |
| 11      | 4965R    | Shift Fork, High - Low Range   | 59      | 4186R    | 1st Reduction Gear Shaft                        |
| 12      | 6255H    | Thrust Bearing Race  | 60      | 7528R    | 1st Reduction Shaft Spacer                      |
| 13      | 4212R    | 4th Reduction Pinion   | 61      | 4208R    | 3rd Reduction Pinion - High                     |
| 14      | 4156R    | 3rd Reduction Gear Shaft   | 62      | 4207R    | 2nd Reduction Gear                              |
| 15      | 6276H    | Snap Ring - Crescent Type  | 63      | 7259H    | Needle Bearing                                  |
| 16      | 6234G3   | High - Low Range Gears   | 64      | 4203R    | Low Speed Gear and 2nd Reduction Pinion Cluster |
| 17      | 8118M    | Needle Bearing   | 65      | 4204H    | Reverse Gear                                    |
| 18      | 8740H    | Stamped Iron Bearing   | 67      | 4920H    | Snap Ring - Crescent Type                       |
| 19      | 6217H    | Shift Fork Shaft, High - Low Range   | 68      | 4205R    | Intermediate Speed Gear                         |
| 20      | 4218R    | Differential Pinion Spacer   | 69      | 4206R    | High Speed Gear                                 |
| 21      | 6270H    | Shift Fork - L.H.  | 70      | 1370H    | Thrust Bearing Race                             |
| 22      | 7810H    | Group Centerlock Nut 3/8 - 24 UNF  | 71      | 6234G9   | Intermediate and High Speed Gear Shafts         |
| 23      | 4088R    | Shift Fork - R.H.  | 72      | 4183R    | Pinions   |
| 24      | 7393R    | Oil Seal   | 73      | 4201R    | Low Speed Pinion                                |
| 25      | 5923H    | Stamped Iron Bearing   | 74      | 7329H    | G Ring  |
| 26      | 6219H    | Shift Fork Shaft   | 75      | 1153R    | Reverse Idler Gear                              |
| 27      | 6218H    | Shift Fork - R.H.  | 76      | 5029R    | Reverse Idler Thrust Washer                     |
| 28      | 6215H    | Shift Shaft, High - Low Range  | 77      | 5529H    | Needle Bearing                                  |
| 29      | 6291H    | Oil Seal   | 78      | 7602R    | Hex Nut 5/16 - 18 UNC                           |
| 30      | 5856H    | Pressure Relief Valve  | 79      | 1167R    | Hex Jam Nut 7/16 - 20 UNF                       |
| 31      | 6334B5   | Gearcase, Reverse Idler Shaft and Bearings - R.H. (Inc. Key No's. 17, 18, 25, 33, 50, 63, 76, 77 and 82) | 80      | 641P     | Hex Jam Nut 7/16 - 20 UNF                       |
| 32      | 6277H    | Oil Seal   | 81      | 6278H    | Oil Seal  |
| 33      | 4225R    | Needle Bearing   | 82      | 7384H    | Reverse Idler Shaft                             |
| 34      | 7395H    | Thrust Bearing Race  | 83      | 7876R    | Control Knob                                    |
| 35      | 4180R    | 4th Reduction Gear Shaft   | 84      | 8551R    | Gear Shifts Lever - Bent                        |
| 36      | 4220R    | Thrust Bearing Race  | 85      | 4019R    | Gear Shifts Cap                                 |
| 37      | 7395H    | Thrust Bearing Race  | 86      | 6334B5   | Gear Shifts Ball Cover and Pin                  |
| 38      | 6275H    | Gearcase and Bearings - L.H. (Inc. Key No's. 18, 25, 49, 50 (2), 51 and 52)                              | 87      | 6799H    | Shifts Low Guide Ball - Keyed                   |
| 39      | 6334B4   | Gearcase and Bearings - L.H. (Inc. Key No's. 18, 25, 49, 50 (2), 51 and 52)                              | 88      | 4924H    | Spring  |
| 40      | 4002P    | Pipe Plug 1/2 - 18 N.P.T.  | 89      | 1823P    | Washer 15/32 x 5/16 x 1/8 Gs.                   |
| 41      | 4003P    | Street Elbow 90° 1/2 - 1/4 N.P.T.  | 90      | 8105R    | Shift Mechanism Seal                            |
| 42      | 6271H    | Oil Seal   | 91      | 1609P    | Washer 8/16 x 16/16 x 11 Gs.                    |
| 43      | 4001P    | Pipe Plug 1/4 - 18 N.P.T.  | 92      | 782      | Shift Gear                                      |
| 44      | 3087P    | Hex Bolt 5/16 - 18 x 1 - 1/2 Grade 5   | 93      | 6274H    | Shift Ball Cover Gasket                         |
| 45      | 1007P    | Lockwasher 5/16 Extra Heavy  | 94      | 7305P    | Control 1/8 x 3/4                               |
|         |          |  | 95      | 1003P    | Lockwasher 5/16                                 |
|         |          |  | 96      | 6334B2   | Hex Bolt 5/16 - 18 UNC x 7/8                    |
|         |          |  | 97      | 6334B2   | Gear Shifts Lever Ass'y.                        |
|         |          |  | 98      | 6334B3   | Transaxle Assembly Lens Brake Drum              |
|         |          |  | 99      | 7835M    | Shift Lever Woodruff Key 1/8 x 1/2              |

\*STANDARD HARDWARE—PURCHASE LOCALLY

### REPAIR PARTS

ROPER 16T GARDEN TRACTOR—MODEL NO. T6328AR

#### FRONT AXLE

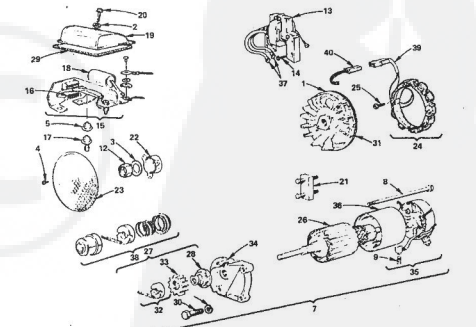


### REPAIR PARTS

16T GARDEN TRACTOR—MODEL NO. T6328AR  
BRIGGS AND STRATTON ENGINE—MODEL NO. 401417, TYPE NO. 0127-01

#### STARTER MOTOR GROUP

ALL ENGINE PARTS MUST BE PURCHASED THROUGH AND SERVICE PERFORMED BY YOUR LOCAL BRIGGS AND STRATTON DEALER.



| KEY NO. | PART NO. | DESCRIPTION                 | KEY NO. | PART NO. | DESCRIPTION                            |
|---------|----------|-----------------------------|---------|----------|--|
| 1       | 392356   | Flywheel and Ring           | 21      | 192203   | Puller - Flywheel (Optional Equip.)    |
| 2       | 221037   | Washer                      | 22      | 229274   | Cup - Screen Mousing                   |
| 3       | 222211   | Washer - Spring             | 23      | 229873   | Screen Flush Rotating                  |
| 4       | 92635    | Screw - Set                 | 24      | 383474   | Solar - Alternator                     |
| 5       | 280222   | Self - Plunger              | 25      | 93821    | Screw - Set                            |
| 6       | 96366    | Lockwasher                  | 26      | 252737   | Armature Assembly                      |
| 7       | 350177   | Motor - Starting            | 27      | 381481   | Drive Ass'y. - Starter                 |
| 8       | 93687    | Thru Bolt                   | 28      | 381135   | Clutch Ass'y. - Starter                |
| 9       | 381705   | Brush Set                   | 29      | 271039   | Gasket - Breaker Box                   |
| 10      | 230674   | Nut - Hex                   | 30      | 91182    | Screw - Hex 5/16 - 18 x 1 - 1/2        |
| 11      | 383329   | Armature Assembly           | 31      | 281882   | Gear - Flywheel Ring (Inc. Mfg. Parts) |
| 12      | 93381    | Screw - Armature Mtg. Sem   | 32      | 381482   | Retainer and Pin Assembly              |
| 13      | 283503   | Brush - Armature Insulation | 33      | 280104   | Gear - Starter                         |
| 14      | 26018    | Spring - Breaker Arm        | 34      | 383009   | Drive End Cap                          |
| 15      | 383503   | Spring - Breaker            | 35      | 383010   | Housing Assembly                       |
| 16      | 392912   | Condenser                   | 36      | 392744   | Housing Assembly                       |
| 17      | 212250   | Breaker Point               | 37      | 392746   | Terminal - Ignition Cable              |
| 18      | 392912   | Condenser                   | 38      | 392744   | Ignition Cable                         |
| 19      | 212250   | Breaker Point               | 39      | 392746   | Terminal - Ignition Cable              |
| 20      | 92654    | Screw - Set                 | 40      | 392382   | Alternator-Harness Ass'y.              |

\*STANDARD HARDWARE—PURCHASE LOCALLY

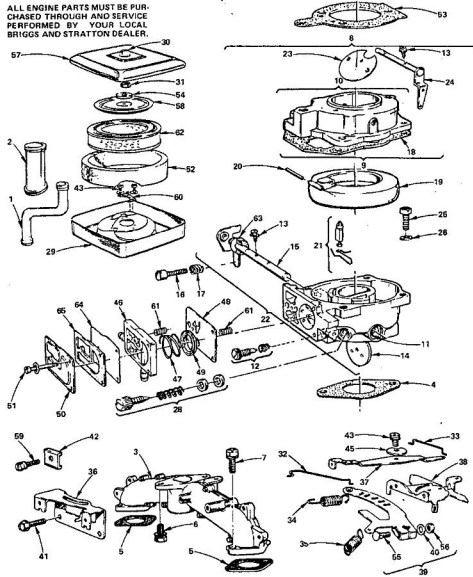


### REPAIR PARTS

16T GARDEN TRACTOR-MODEL NO. T6328AR  
BRIGGS AND STRATTON ENGINE-MODEL NO. 401417, TYPE NO. 0127-01

#### AIR CLEANER-CARBURETOR GROUP

ALL ENGINE PARTS MUST BE PUR-  
CHASED THROUGH AND SERVICE  
PERFORMED BY YOUR LOCAL  
BRIGGS AND STRATTON DEALER.



### REPAIR PARTS

16T GARDEN TRACTOR-MODEL NO. T6328AR  
BRIGGS AND STRATTON ENGINE-MODEL NO. 401417, TYPE NO. 0127-01

#### AIR CLEANER-CARBURETOR GROUP

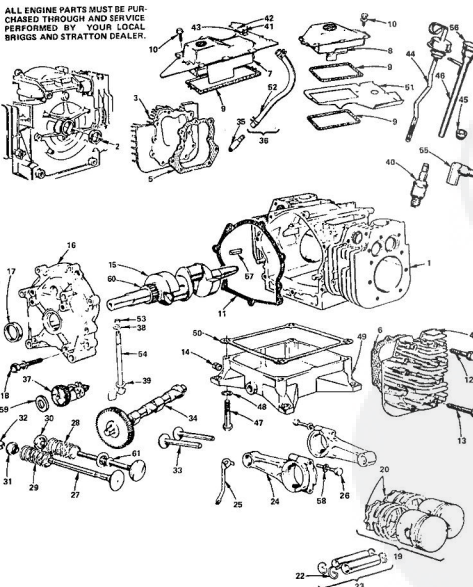
| KEY NO. | PART NO. | DESCRIPTION                               | KEY NO. | PART NO. | DESCRIPTION                                       |
|---------|----------|---|---------|----------|---|
| 1       | 280165   | Tube - Breather                           | 32      | 261444   | Link - Governor                                   |
| 2       | 280198   | Tube - Intake                             | 33      | 261460   | Link - Speed Control                              |
| 3       | 302070   | Manifold Asy. - Intake                    | 34      | 261465   | Spring - Governor                                 |
| 4       | 271815   | *Gasket - Carb. Mtg.                      | 35      | 261487   | Spring - Governed Mfg.                            |
| 5       | 270854   | *Gasket - Intake Manifold Mtg.            | 36      | 222007   | Bracket - Speed Control                           |
| 6       | 63415    | Screw - Carb. Mtg. Sem                    | 37      | 222828   | Leve. - Speed Control                             |
| 7       | 92206    | Screw - Intake Manifold Mtg. Sem          | 38      | 392033   | Plate Asy. - Governor Control                     |
| 8       | 392806   | Carburetor Asy. V.                        | 39      | 392943   | Lever Asy. - Governor                             |
| 9       | 392897   | Body Asy. - Upper Carb.                   | 40      | 222893   | Washer  |
| 10      | 392293   | Body - Upper Carb.                        | 41      | 53868    | Screw - Sem                                       |
| 11      | 23108    | Bushing - Throttle Shaft                  | 42      | 221535   | Clamp - Casing                                    |
| 12      | 392951   | *Valve Asy. - Carb. Idle                  | 43      | 53869    | Screw - Sem                                       |
| 13      | 93469    | Screw - Throttle and Choke Valve Mtg. Sem | 45      | 231172   | Bushing - Speed Control Body - Pump               |
| 14      | 222433   | Valve - Throttle                          | 47      | 261395   | *Spring - Pump                                    |
| 15      | 392872   | Shaft and Lever - Throttle                | 48      | 222619   | Cover - Diaphragm                                 |
| 16      | 91920    | Screw - Mech. Fil. Hd. 8 - 32 x 5/8       | 49      | 221377   | *Cap - Spring                                     |
| 17      | 26197    | Spring - Throttle Adj.                    | 50      | 222619   | Cover - Diaphragm                                 |
| 18      | 271008   | *Gasket - Carburetor Body                 | 51      | 53829    | Screw - Diaphragm Cover                           |
| 19      | 298514   | Floet - Carburetor                        | 52      | 279998   | Element - Air Cleaner                             |
| 20      | 239990   | *Pin - Floet Hinge                        | 53      | 271014   | Gasket - Air Cleaner                              |
| 21      | 299998   | *Valve - Fuel Inlet                       | 54      | 271180   | Washer  |
| 22      | 92286    | *Pin - Floet Hinge                        | 55      | 92853    | Ball - Governor Lever                             |
| 23      | 222010   | Valve - Choke                             | 56      | 92278    | Screw - Air Cleaner                               |
| 24      | 928713   | Shaft and Lever - Choke                   | 57      | 222763   | Cover - Air Cleaner                               |
| 25      | 90764    | Screw - Machine, Fil. Hd. 10/32 x 5/8     | 58      | 222835   | Cartridge Plate - Air Cleaner                     |
| 26      | 92290    | Washer - Lock 10 x 1/16 x 3/64            | 59      | 92946    | Screw - Sem                                       |
| 27      | 392125   | Jet - Main                                | 60      | 392943   | Mounting Strap Asy. - Air Cleaner                 |
| 28      | 922726   | Body - Air Cleaner                        | 61      | 261358   | *Spring   |
| 29      | 212297   | Knob - Air Cleaner                        | 62      | 392942   | Cartridge - Air Cleaner                           |
| 30      | 53215    | Nut - Hex                                 | 63      | 271013   | *Washer - Choke Shaft                             |
|         |          |   | 64      | 270969   | *Diaphragm - Damaging                             |
|         |          |   | 65      | 271025   | *Gasket - Carb. Pump                              |
|         |          |   |         | 392728   | Gasket Set (Includes Parts Marked *)              |
|         |          |   |         | 393301   | Carburetor Overhaul Kit (Includes Parts Marked *) |

### REPAIR PARTS

16T GARDEN TRACTOR-MODEL NO. T6328AR  
BRIGGS AND STRATTON ENGINE-MODEL NO. 401417, TYPE NO. 0127-01

#### CYLINDER, CRANKSHAFT AND ENGINE BASE GROUP

ALL ENGINE PARTS MUST BE PUR-  
CHASED THROUGH AND SERVICE  
PERFORMED BY YOUR LOCAL  
BRIGGS AND STRATTON DEALER.



### REPAIR PARTS

16T GARDEN TRACTOR-MODEL NO. T6328AR  
BRIGGS AND STRATTON ENGINE-MODEL NO. 401417, TYPE NO. 0127-01

#### CYLINDER, CRANKSHAFT AND ENGINE BASE GROUP

| KEY NO. | PART NO. | DESCRIPTION                            | KEY NO. | PART NO. | DESCRIPTION                      |
|---------|----------|--|---------|----------|----------------------------------|
| 1       | 352274   | Cylinder Assembly                      | 28      | 92909    | Screw - Connecting Rod           |
| 2       | 391098   | Seal - Oil                             | 27      | 390420   | Valve - Exhaust                  |
| 3       | 212199   | Head - Cylinder No. 1                  | 29      | 85906    | Spring - Intake Valve            |
| 4       | 212180   | Head - Cylinder No. 2                  | 28      | 26828    | Spring - Exhaust Valve           |
| 5       | 270986   | *Gasket - Cylinder Head No. 1          | 30      | 221596   | Retainer - Intake Valve          |
| 6       | 270983   | *Gasket - Cylinder Head No. 2          | 31      | 262700   | Retainer - Exhaust               |
| 7       | 393243   | Breather Assembly No. 1                | 32      | 92830    | Retainer - Exhaust Valve Retocol |
| 8       | 393153   | Breather Assembly No. 2                | 33      | 261368   | Tappet - Valve                   |
| 9       | 27853    | *Gasket - Valve Cover                  | 34      | 212173   | Gear - Cam                       |
| 10      | 65295    | Screw - Sem                            | 35      | 67216    | Elbow - Connector                |
| 11      | 270982   | *Gasket - Crankcase Cover 1/64" Thick  | 36      | 393244   | Pipe - Fuel                      |
| 11      | 271145   | *Gasket - Crankcase Cover 000" Thick   | 37      | 392773   | Gear - Governor                  |
| 11      | 271146   | *Gasket - Crankcase Cover 000" Thick   | 38      | 220663   | Washer - Gov. Crank (outside)    |
| 13      | 92111    | Jet - Main Assembly                    | 39      | 92857    | Washer - Gov. Crank (inside)     |
| 13      | 92110    | Screw - Cylinder Head (2 - 5/16" Long) | 40      | 392885   | Plug - Seal (Resistor)           |
| 14      | 91084    | Plug - Oil Drain                       | 41      | 90576    | Nut - Hex 8 - 32                 |
| 15      | 393308   | Crankshaft                             | 42      | 231174   | Terminal                         |
| 16      | 393272   | Cover Assembly - Crankcase             | 43      | 280180   | Grommet - Insulator              |
| 17      | 291675   | Seal - Oil                             | 44      | 392918   | Cap and Dipstick - Oil Filter    |
| 18      | 93847    | Screw - Crankcase Cover Mtg. Sem       | 45      | 68828    | Seal - Filter Tube               |
| 19      | 393211   | Piston Assembly - Standard             | 46      | 392922   | Tube - Oil Filter                |
| 19      | 393343   | Piston Assembly - .010" O.S.           | 47      | 93783    | Screw - Hex Hd.                  |
| 19      | 393364   | Piston Assembly - .020" O.S.           | 48      | 92206    | Washer                           |
| 19      | 393345   | Piston Assembly - .030" O.S.           | 49      | 393412   | Base - Engine                    |
| 20      | 393277   | Ring Set - Piston - Standard           | 50      | 270981   | *Gasket - Engine Base            |
| 20      | 393300   | Ring Set - Piston - .010" O.S.         | 51      | 222700   | Ball - Air                       |
| 20      | 393341   | Ring Set - Piston - .020" O.S.         | 52      | 93953    | Clamp - Fuel Pipe                |
| 20      | 393342   | Ring Set - Piston - .030" O.S.         | 53      | 93851    | Retainer - E-Ring                |
| 22      | 269924   | Lock - Piston Pin                      | 54      | 393309   | Crank - Governor                 |
| 23      | 229591   | Pin Assembly - Piston - Standard       | 55      | 69536    | Elbow - Spark Plug               |
| 23      | 391296   | Pin Assembly - Piston - .005" O.S.     | 56      | 270933   | Seal - Oil Filter Cap            |
| 24      | 393270   | Rod Assembly - Connecting              | 57      | 61160    | Key - Flywheel                   |
| 25      | 222480   | Dipper - Connecting Rod                | 58      | 220863   | Washer                           |
|         |          |  | 59      | 222773   | Washer - Thrust                  |
|         |          |  | 60      | 261363   | Gear - Timing                    |
|         |          |  | 61      | 393279   | Seal Asy. v. Retainer            |

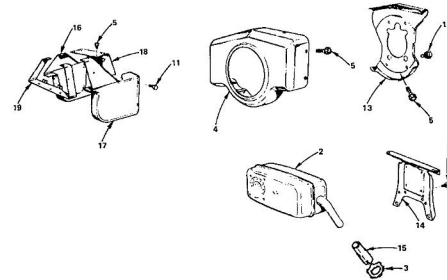
\*Inc. in Gasket Set - 393278

### REPAIR PARTS

16T GARDEN TRACTOR—MODEL NO. T6328AR  
BRIGGS AND STRATTON ENGINE—MODEL NO. 401417, TYPE NO. 0127-01

#### MUFFLER, AIR GUIDE AND HOUSING GROUP

ALL ENGINE PARTS MUST BE PURCHASED THROUGH AND SERVICE PERFORMED BY YOUR LOCAL BRIGGS AND STRATTON DEALER.



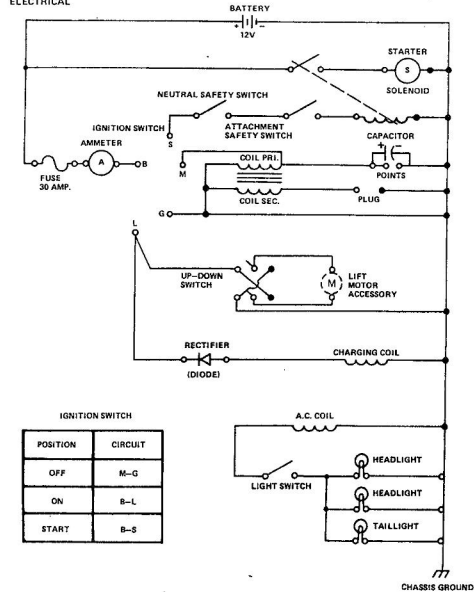
| KEY NO. | PART NO. | DESCRIPTION                              | KEY NO. | PART NO. | DESCRIPTION         |
|---------|----------|--|---------|----------|---------------------|
| 1       | 93843    | Screw - Semi                             | 13      | 382934   | Back Plate Air/V    |
| 2       | 362999   | Muffler - Exhaust                        | 14      | 222779   | Bracket - Muffler   |
| 3       | 91242    | Locknut - Muffler                        | 15      | 221462   | Connector - Muffler |
| 4       | 382681   | Housing - Blower                         | 16      | 382891   | Cover Assy. - Air   |
| 5       | 93195    | Screw - Semi                             | 17      | 382892   | Cover Assy. - Air   |
| 11      | 93876    | Screw - Semi                             | 18      | 382925   | Rear Inset Assy.    |
| 12      | 93777    | Screw - Hex Hd. (Back Plate to Cylinder) | 19      | 222775   | Frame - Air Guide   |

**OPTIONAL EQUIPMENT**  
382154 Spark Arrestor Assembly  
222673 Deflector (Side Outlet)  
93705 Screw (4 Required)

### REPAIR PARTS

16T GARDEN TRACTOR—MODEL NO. T6328BR

#### ELECTRICAL



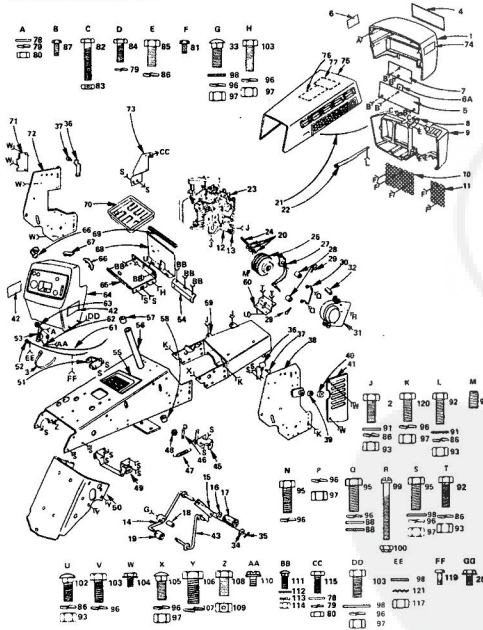
#### WIRING CLIPS AND CABLE TIES

If Clips or Ties were removed for servicing of unit, they should be replaced to properly secure your wiring.

### REPAIR PARTS

ROPER 16T GARDEN TRACTOR—MODEL NO. T6328BR

#### MAIN FRAME, DASH AND GRILL



### REPAIR PARTS

ROPER 16T GARDEN TRACTOR—MODEL NO. T6328BR

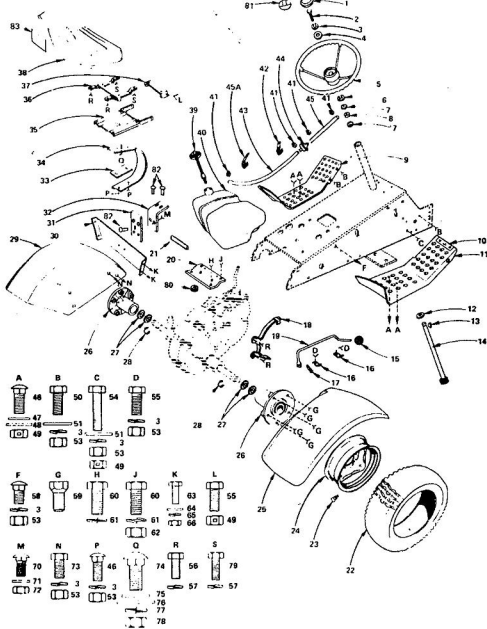
#### MAIN FRAME, DASH AND GRILL

| KEY NO. | PART NO. | DESCRIPTION  | KEY NO. | PART NO. | DESCRIPTION   |
|---------|----------|--|---------|----------|---|
| 1       | 9111     | Grill - Upper  | 68      | 1071     | Battery Heat Shield   |
| 2       | 302329   | Tie - Wire   | 69      | 7874R    | Hood Seal   |
| 3       | 9106R    | Grill - Lower  | 70      | 8855R    | Battery Tray  |
| 4       | 2451     | Grill - Grill  | 71      | 381      | Cover - L.H.  |
| 5       | 2911J    | Grill Panel - Lower                                      | 72      | 1131     | Bracket - Battery Support - L.H.                                      |
| 6       | 16504    | Grill  | 73      | 1181JJ   | Bracket - Receiver  |
| 6A      | 8768H    | Mounting Clip  | 74      | 1591J    | Decal   |
| 7       | 2861J    | Grill Panel - Upper                                      | 75      | 634A027  | Hood Assy.  |
| 8       | 888J     | Grill - Lower  | 76      | 8025R    | Decal - Instruction   |
| 9       | 7858R    | Grill - Grill  | 77      | 291J     | Decal - Wiring  |
| 10      | 2874R    | Grill Screen - L.H.                                      | 78      | 1006P    | *Washer 9/32 x 5/8 x 16 Ga.   |
| 11      | 2876R    | Grill Screen - R.H.                                      | 79      | 1007P    | *Lockwasher 1/8"  |
| 12      | 4016P    | Pipe Nipple 3/8 - 18 N.P.T. x 4 - 1/2"                   | 80      | 503P     | *Hex Nut 1/4 - 20 UNC   |
| 13      | 4016P    | Pipe Cap 3/8 - 18 N.P.T.                                 | 81      | 5001P    | *Phillips Pan Hd. Tnd. Self Tap 10 - 24 x 3/8 Type T                  |
| 14      | 634A011  | Link   | 82      | 3267P    | *Hex Nut 1/4 - 20 x 1 - 1/2 Grade 5                                   |
| 15      | 981      | Lock   | 83      | 1805H    | *Locknut 1/4 - 20 UNC   |
| 16      | 921      | Push-On Nut  | 84      | 3005P    | *Hex Bolt 1/4 - 20 x 3/4  |
| 17      | 931      | Rubber Pad   | 85      | 3010P    | *Hex Bolt 5/16 - 18 x 3/4   |
| 18      | 911      | Pinot Spacer   | 86      | 1002P    | *Lockwasher 5/16"   |
| 19      | 2851     | Foot Pedal   | 87      | 5554P    | *Phillips Pan Hd. Tnd. Self Tap 10 - 16 Hi-Low Thrd x 1/2 Blank Point |
| 20      | 1696P    | Washer 1 - 1/16 x 2 x .140                               | 88      | 1867P    | *Washer 13/32 x 13/16 x 1 1/4 Ga.                                     |
| 21      | 8668R    | Grill Bracket  | 89      | 1637P    | *Washer 1/25 x 11/16 x 16 Ga.   |
| 22      | 1011J    | Grill Bracket  | 90      | 3011P    | *Hex Bolt 5/16 - 18 x 1"  |
| 23      | 401417   | Engine, Briggs and Stratton 16 H.P.                      | 91      | 824P     | *Hex Nut 5/16 - 18 UNC  |
| 24      | 8396E    | St. Key 1/4 x 2  | 92      | 3011P    | *Hex Bolt 5/16 - 18 x 1"  |
| 25      | 634A04   | New Washer Rd. Thrd. Cutting Screw 1/4 - 20 x 3/4 Type T | 93      | 824P     | *Hex Nut 5/16 - 18 UNC  |
| 26      | 634A04   | Engine Pulley (Inc. 2 ea. Key No. 94)                    | 94      | 4546P    | *Hex Forged Socket Helms. Set Screw CP 5/16 - 18 - 1/2 - Nylok        |
| 27      | 634A02   | Spacer   | 95      | 3023P    | *Hex Bolt 3/8 - 16 x 1"   |
| 28      | 6761H1   | Ball Guide Weldment                                      | 96      | 1004P    | *Lockwasher 3/8"  |
| 29      | 4029A    | Retainer Spring  | 97      | 601P     | *Hex Nut 3/8 - 18 UNC   |
| 30      | 9611H    | Ball Retainer  | 98      | 1557P    | *Washer 13/32 x 13/16 x 1 1/4 Ga.                                     |
| 31      | 634A00   | Ball Cover Weldment                                      | 99      | 3154P    | St. Fl. Hd. Machine Screw 1/4 - 20 x 2 1/4"                           |
| 32      | 8228H    | Split Spacer   | 100     | 347H     | Hi-Lock Nut 1/4 - 20 UNC  |
| 33      | 1646P    | St. Neck Carriage Bolt 3/8 - 16 x 2 - 1/4"               | 101     | 87       | *Carriage Bolt 5/16 - 18 x 3/4  |
| 34      | 3546P    | Washer 7/32 x 1 x 16 Ga.                                 | 102     | 3025P    | *Hex Bolt 3/8 - 16 x 1 - 1/4"   |
| 35      | 634A00   | Cutter Pin 1/8 x 1"                                      | 103     | 5557P    | *Hex Washer Hd. Thrd. Cutting Screw 1/4 - 20 x 1/2 Type T             |
| 36      | 8457R    | Hood Latch   | 104     | 5557P    | *Hex Neck Carriage Bolt - Short Shoulder 3/8 - 16 x 1 1/2 Ga.         |
| 37      | 634A00   | Battery Support Bracket (Inc. Key 39)                    | 105     | 61P      | *Hex Bolt 7/16 - 14 x 1 - 1/4   |
| 38      | 7756R    | Bearing  | 106     | 3026P    | *Lockwasher 7/16"   |
| 39      | 8068R    | Cap  | 107     | 1001P    | *Hex Bolt 3/8 - 16 x 3/4  |
| 40      | 2729R    | Cover - R.H.   | 108     | 3211P    | *Locknut 3/8 - 18 UNC   |
| 41      | 2861     | Washer 1/25 x 11/16 x 16 Ga.                             | 109     | 5284H    | Hex St. Hd. Machine Screw w/Gms. Int. Tooth Lockwasher 10 - 32 x 1/4  |
| 42      | 634A02   | Washer 7/32 x 7/16 x 18 Ga.                              | 110     | 6055P    | *Hex Nut 3/8 - 16 x 1 - 1/2   |
| 43      | 634A02   | Locknut 3/8 - 18 UNC                                     | 111     | 53P      | *Washer 7/32 x 7/16 x 18 Ga.  |
| 44      | 7946R    | Ball Lockwasher 10 - 32 x 1/4                            | 112     | 1535P    | *Lockwasher 10  |
| 45      | 7946R    | Return Spring  | 113     | 1006P    | *Lockwasher 10  |
| 46      | 7910H    | Locknut 3/8 - 24 UNF                                     | 114     | 509P     | *Hex Nut 1/4 - 20 UNC   |
| 47      | 634A04   | Hanger Weldment - Rear                                   | 115     | 3114P    | *Hex Bolt 1/4 - 20 x 1/2  |
| 48      | 634A04   | Locknut and Washers                                      | 116     | 3027P    | *Hex Bolt 3/8 - 16 x 1 - 1/2  |
| 49      | 634A05   | Hanger Weldment - L.H. - Front                           | 117     | 1559     | *Hex Nut 3/8 - 24 UNF   |
| 50      | 634A05   | Locknut and Washers                                      | 118     | 2614P    | *Center Pin 1/4 x 1"  |
| 51      | 7151H    | Choke Control (Inc. Key 61, 62 & 63)                     | 119     | 5552P    | *Serrated Pan Hd. Self Tap Screw No. 8 x 3/4 Type AB                  |
| 52      | 1817J    | Lock   | 120     | 3137P    | *Hex Bolt 3/8 - 16 x 1 - 1/4 Gr. 5                                    |
| 53      | 671      | Adaptor Bar  | 121     | 1402P    | *Ext. Tooth Lockwasher 3/8"   |
| 54      | 634A88   | Chassis Assy. (Inc. Key 57 & 58)                         |         |          |   |
| 55      | 9468H    | Bearing  |         |          |   |
| 56      | 4766H    | Bearing  |         |          |   |
| 57      | 634A06   | Ball Mount Assy.   |         |          |   |
| 58      | 951      | Grill Spacer   |         |          |   |
| 59      | 1637100  | Throttle Bar Cutting Clamp                               |         |          |   |
| 60      | 8204R    | Clamp  |         |          |   |
| 61      | 1637100  | Throttle Control Knob                                    |         |          |   |
| 62      | 8204R    | Dashboard (Inc. Key No's. 60 and 61)                     |         |          |   |
| 63      | 634A89   | Battery Support  |         |          |   |
| 64      | 1998R    | Clip - Dashboard   |         |          |   |
| 65      | 1998R    | Clip - Dashboard, Center                                 |         |          |   |
| 66      | 8571R    | Clip - Dashboard, Center                                 |         |          |   |

\*STANDARD HARDWARE—PURCHASE LOCALLY

**REPAIR PARTS**

ROPER 16T GARDEN TRACTOR—MODEL NO. T6328BR  
STEERING AND FINAL DRIVE



**REPAIR PARTS**

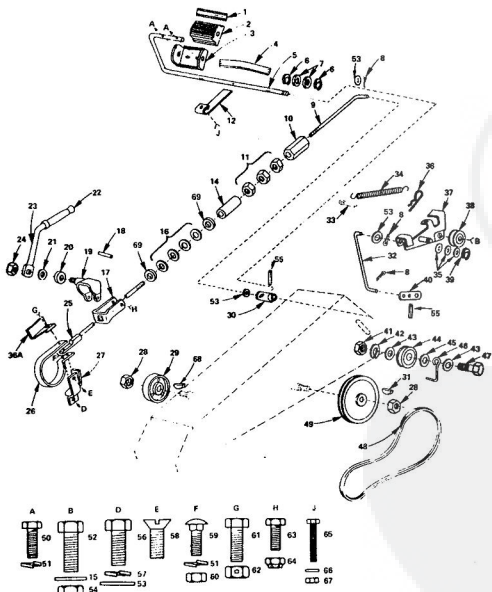
ROPER 16T GARDEN TRACTOR—MODEL NO. T6328BR  
STEERING AND FINAL DRIVE

| KEY NO. | PART NO. | DESCRIPTION                            | KEY NO. | PART NO. | DESCRIPTION   |
|---------|----------|--|---------|----------|---|
| 1       | 9716R    | Steering Wheel Insert                  | 45      | G1P      | Sp. Nk. Sht. Sht. Car. Bolt 3/8 x 1 1/2             |
| 2       | 3022P    | *Hex Bolt 3/8 x 1 1/2                  | 47      | 1613P    | Washer 13/32 x 13/16 x 16 Ga.                       |
| 3       | 1004P    | Lockwasher 3/16                        | 48      | 1519P    | Washer 15/32 x 1 x 12 Ga.                           |
| 4       | 1555P    | Washer 7/16 x 1 x 10 Ga.               | 49      | 5201H    | Locknut 3/8 UNC                                     |
| 5       | 3064R    | Steering Wheel                         | 50      | 3022P    | *Hex Bolt 3/8 x 1 1/2                               |
| 6       | 5001P    | E-Ring                                 | 51      | 1557P    | Washer 13/32 x 13/16 x 11 Ga.                       |
| 7       | 9007H    | Cap                                    | 53      | 501P     | *Hex Nut 3/8 16 UNC                                 |
| 8       | 5948H    | Rubber Bushing                         | 54      | 3022P    | *Hex Bolt 3/8 x 1 1/2                               |
| 9       | 7903R    | Foot Rest L.H.                         | 55      | 3022P    | *Hex Bolt 3/8 x 1 1/2                               |
| 10      | 8900R    | Decal (Front Clutch)                   | 56      | 2010P    | *Hex Bolt 5/16 x 1 1/4 x 16 Ga.                     |
| 11      | 7904R    | Foot Rest R.H.                         | 57      | 1003P    | Lockwasher 5/16                                     |
| 12      | 1552P    | Washer 5/8 x 1 1/4 x 16 Ga.            | 58      | 18P      | *Sq. Neck Carriage Bolt 3/8 x 16 x 3/4              |
| 13      | 9858M1   | Woodruff Key 3/16 x 5/8                | 59      | 1304H    | *Hex Bolt 7/16 x 1 1/2                              |
| 14      | 6344S2   | Steering Shaft and Pinion Control Knop | 60      | 3004P    | *Hex Bolt 7/16 x 1 1/2                              |
| 15      | 6344H    | Shift Rod Bracket                      | 61      | 1001P    | Lockwasher 7/16                                     |
| 16      | 6442H    | Shift Rod Guide                        | 62      | 500P     | *Hex Nut 7/16 14 UNC                                |
| 17      | 2011P    | *Corner Pin 3/16 x 1                   | 63      | 3003P    | *Hex Bolt 1/4 x 20 x 3/4                            |
| 18      | 63442A   | Belt Guide                             | 64      | 1548P    | *Washer 9/32 x 5/8 x 16 Ga.                         |
| 19      | 8074R    | Transmission Bracket                   | 65      | 1002P    | *Lockwasher 1/2                                     |
| 20      | 9594R    | Rear Tire 23 x 9.50 12                 | 66      | 503P     | *Hex Nut 1/4 20 UNC                                 |
| 21      | 8074R    | Seat Spring                            | 67      | 8P       | *Short Shoulder Sq. Neck Carriage Bolt 5/16 x 1 1/4 |
| 22      | 3838R    | Rear Wheel 12 x 7 JA                   | 68      | 1513P    | Washer 11/32 x 11/16 x 16 Ga.                       |
| 23      | 8628R    | Fender R.H.                            | 69      | 1602H    | Lock Nut 5/16 18 UNC                                |
| 24      | 8628R    | Fender L.H.                            | 70      | 3021P    | *Hex Bolt 3/8 x 1 1/2 x 11 Ga.                      |
| 25      | 634462   | Rear Wheel Hub and Bushing             | 71      | 1513P    | Washer 11/32 x 11/16 x 16 Ga.                       |
| 26      | 7583R    | Asse Thrust Washer                     | 72      | 52P      | Carriage Bolt 1/2 x 1 1/2 x 1 1/4 G. 5              |
| 27      | 9427R    | Fender L.H.                            | 73      | 1518P    | Washer 24 x 1 1/8 x 11 Ga.                          |
| 28      | 9427R    | Fender R.H.                            | 74      | 1560P    | Washer 13/32 x 1 1/2 x 11 Ga.                       |
| 29      | 9427R    | Fender L.H.                            | 75      | 1518P    | Washer 24 x 1 1/8 x 11 Ga.                          |
| 30      | 9427R    | Fender R.H.                            | 76      | 1560P    | Washer 13/32 x 1 1/2 x 11 Ga.                       |
| 31      | 175J     | Seat Stop Bracket                      | 77      | 1000P    | *Lockwasher 1/2                                     |
| 32      | 175J     | Seat Stop Bracket                      | 78      | 5021H    | *Hex Nut 1/2 13 UNC                                 |
| 33      | 8141H    | Seat Spring Reinforcement              | 79      | 3158P    | *Hex Nut 1/4 18 x 7/8                               |
| 34      | 9888R    | Seat Plate                             | 80      | 9541H    | Rubber Grommet                                      |
| 35      | 634475   | Seat Plate Weldment                    | 81      | 235J     | Steering Wheel Decal                                |
| 36      | 634452   | Seat Bracket Weldment                  | 82      | 174J     | Rubber Bumper                                       |
| 37      | 7891R    | Bracket, Seat Feet                     | 83      | 245J     | Decal   |
| 38      | 9744R    | Seat                                   | 84      | 1624J    | Warranty Fact Tag                                   |
| 39      | 1229J    | Fuel Gauge                             | 85      | 1616J    | Owner's Manual                                      |
| 40      | 7885R    | Fuel Tank                              |         |          |   |
| 41      | 8099R    | Fuel Line                              |         |          |   |
| 42      | 2751R    | Clip - Fuel Line                       |         |          |   |
| 43      | 8373R    | Fuel Line (Clamp)                      |         |          |   |
| 44      | 206J     | In-Line Filter                         |         |          |   |
| 45      | 35J      | Fuel Line                              |         |          |   |
| 46      | 35J      | Fuel Line                              |         |          |   |
| 47      | 9237R    | Clip - Fuel Line                       |         |          |   |

\*STANDARD HARDWARE - PURCHASE LOCALLY

**REPAIR PARTS**

ROPER 16T GARDEN TRACTOR—MODEL NO. T6328BR  
BRAKE AND CLUTCH



**REPAIR PARTS**

ROPER 16T GARDEN TRACTOR—MODEL NO. T6328BR  
BRAKE AND CLUTCH

| KEY NO. | PART NO. | DESCRIPTION                     | KEY NO. | PART NO. | DESCRIPTION   |
|---------|----------|---------------------------------|---------|----------|---|
| 1       | 8899R    | Insert Clutch Brake             | 37      | 634A764  | Inter-Bracket Weldment                              |
| 2       | 882R     | Foot Pedal                      | 38      | 6636H    | Pin   |
| 3       | 9175H    | Foot Pedal Bracket              | 39      | 3022P    | E-Ring  |
| 4       | 9003H    | Spring                          | 40      | 634A88B  | Steering Arm Assembly                               |
| 5       | 111J     | Foot Pedal Shaft                | 41      | 500P     | *Hex Nut 7/16 14 UNC                                |
| 6       | 5001P    | E-Ring                          | 42      | 1001P    | *Lockwasher 7/16                                    |
| 7       | 1529P    | Washer 21/32 x 7/8 x 16 Ga.     | 43      | 1544P    | *Washer 15/32 x 15/16 x 18 Ga.                      |
| 8       | 2905P    | Corner Pin 1/8 x 3/4            | 44      | 6659H    | Ball Finger   |
| 9       | 2202R    | Brake Rod - Front               | 45      | 1520P    | Washer .469 I.D. x 1 1/8 x 11 Ga.                   |
| 10      | 6511H    | *Hex Nut 3/8 x 16 UNC           | 46      | 5429H    | Belt Finger   |
| 11      | 501P     | *Hex Nut 3/8 x 16 UNC           | 47      | 3202P    | *Hex Bolt 7/16 x 1 1/2                              |
| 12      | 8232R    | Safety Shift Actuator           | 48      | 2662R    | V-Belt  |
| 13      | 2201R    | Bushing                         | 49      | 6461H    | Pulley, Transmission                                |
| 14      | 1557P    | Washer 13/32 x 13/16 x 11 Ga.   | 50      | 3003P    | *Hex Bolt 1/4 x 20 x 3/4                            |
| 15      | 2263R    | Spring Washer                   | 51      | 1002P    | *Lockwasher 1/2                                     |
| 16      | 9886R    | Parking Brake Yoke              | 52      | 3052P    | *Fin. Hex Bolt 3/8 x 24 x 1                         |
| 17      | 1704H    | Roll Pin                        | 53      | 1513P    | *Washer 13/32 x 13/16 x 16 Ga.                      |
| 18      | 634A88B  | Lock Bracket Assembly           | 54      | 548P     | *Hex Jam Nut 3/8 x 24 UNF                           |
| 19      | 2221R    | Sprocket                        | 55      | 5129H    | Roll Pin  |
| 20      | 5999H    | Spring Washer                   | 56      | 3022P    | *Hex Bolt 3/8 x 16 x 7/8                            |
| 21      | 4376H    | Handle Grip                     | 57      | 1004P    | *Lockwasher 3/8                                     |
| 22      | 626A241  | Parking Lock Handle Assembly    | 58      | 3164P    | *Fast. Hex. Machine Screw - Undercut 3/8 x 16 x 3/4 |
| 23      | 7810H    | Clutch Lock Nut 3/8 x 24 UNF    | 59      | 111P     | Sq. Neck Carriage Bolt 1/4 x 20 x 5/8               |
| 24      | 634A168  | Brake Band Assembly             | 60      | 503P     | *Hex Nut 1/4 20 UNC                                 |
| 25      | 634A168  | Brake Band Assembly             | 61      | 3158P    | *Hex Nut 1/4 20 UNC                                 |
| 26      | 9204H    | Lock Nut 1/2 20 UNF             | 62      | 1685H    | Locknut 5/16 18 UNC                                 |
| 27      | 114J     | Roll Pin                        | 63      | 3246P    | *Hex Bolt 1/4 x 28 x 5/8 G. 5                       |
| 28      | 634A899  | Brake Arm Assembly              | 64      | 9011H    | Hex Nut 1/4 28 UNF                                  |
| 29      | 114J     | Roll Pin                        | 65      | 3226P    | Hex Nut, Wash. Screw 6 32 x 1                       |
| 30      | 9288R    | Clutch Rod                      | 66      | 1567P    | Washer 5/32 x 3/8 x 20 Ga.                          |
| 31      | 9858M1   | Woodruff Key                    | 67      | 2228M    | Woodruff Key  |
| 32      | 6486H    | Spring                          | 68      | 1602P    | Washer 13/32 x 5/8 x 11 Ga.                         |
| 33      | 1567P    | *Washer 13/32 x 1 1/16 x 21 Ga. |         |          |   |
| 34      | 4933M    | Retainer Spring                 |         |          |   |
| 35      | 544J     | Hour Shield                     |         |          |   |

\*STANDARD HARDWARE - PURCHASE LOCALLY

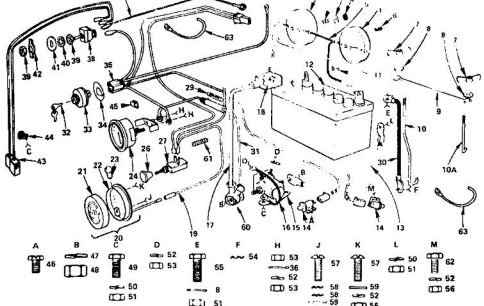


Click Here to upgrade to Unlimited Pages and Expanded Features

**REPAIR PARTS**

ROPER 16T GARDEN TRACTOR-MODEL NO. T6328BR

**ELECTRICAL**

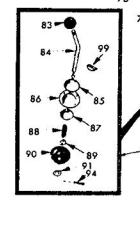
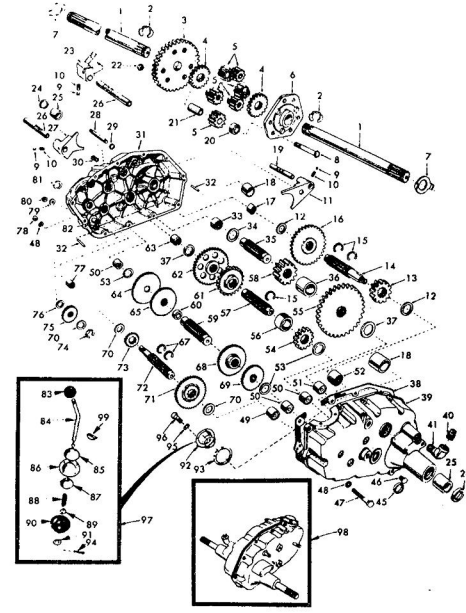


| KEY NO. | PART NO. | DESCRIPTION  | KEY NO. | PART NO. | DESCRIPTION   |
|---------|----------|--|---------|----------|---|
| 1       | 6452R    | Headlight  | 34      | 8657R    | Terminal Identifier   |
| 2       | 5565P    | Phillips Flat Hd. Thd. Cutting Screw No. 10 - 16 x 1/2 | 35      | 118J     | Wire Harness - Main   |
| 3       | 8788H    | Rubber Spacer  | 36      | 1583R    | Brake Washer No. 10   |
| 4       | 8031R    | Headlight Ground Wire                                  | 37      | 8984R    | Switch Elec. Lift   |
| 5       | 8197H    | Hose   | 38      | 5565P    | Hex Jam Nut 5/16 - 24 UNF   |
| 6       | 5748M    | Wing Nut 1/4 - 20 UNC                                  | 39      | 7319R    | Lockwasher, Internal Foot   |
| 7       | 1506P    | Washer 9/32 x 5/8 x 16 Ga.                             | 40      | 8985R    | Washer 5/32 x 1 1/16 x 16 Ga.                                       |
| 8       | 7952R    | Battery Clamp  | 41      | 8034R    | Switch Plate  |
| 9       | 2088R    | Battery Bolt   | 42      | 5320R    | Lift Motor Harness  |
| 10A     | 18LJ     | Battery Bolt   | 43      | 8615R    | Clip, Wire  |
| 11      | 4171R    | Insulated Clip   | 44      | 5524P    | Slotted Hex Undered Hex Self Tapping Screw No. 10 - 24 x 3/8 True 1 |
| 12      | 225J     | Battery  | 45      | 1003P    | Lockwasher 5/16   |
| 13      | 117J     | Cable - Solenoid to Starter                            | 46      | 528P     | Hex Nut 1/4 - 20 x 1/2  |
| 14      | 7755R    | Safety Switch  | 47      | 3115P    | Hex Bolt 1/4 - 20 x 5/8   |
| 15      | 7754R    | Solenoid   | 48      | 1002P    | Lockwasher, 1/4   |
| 16      | 8027R    | Wire - Ground to Solenoid                              | 49      | 503P     | Hex Nut 1/4 - 20 UNC  |
| 17      | 116J     | Battery Cable  | 50      | 1005P    | Hex Nut No. 10 - 32 UNC   |
| 18      | 226J     | Terminal Cover   | 51      | 1422P    | Ext. Foot Lockwasher 3/8  |
| 19      | 8030R    | Light Harness  | 52      | 3003P    | Hex Nut No. 10 - 24 UNC   |
| 20      | 1088H    | Tail Light (Inc. Key No's. 21, 22 & 23)                | 53      | 3074P    | Ext. Foot Lockwasher No. 10   |
| 21      | 8232H    | Lens - Tail Light                                      | 54      | 1504P    | Slotted Terminal Cover  |
| 22      | 8233H    | Housing - Tail Light                                   | 55      | 1504P    | Wire Guard  |
| 23      | 8231H    | Bulb No. 1955 - Candle Power                           | 56      | 3218P    | Hex Bolt 5/16 - 18 UNC x 7/8  |
| 24      | 8423R    | Adapter  | 57      | 8106P    | Cable Tie   |
| 25      | 7744R    | Light Switch Knob                                      | 58      | 5106P    | STANDARD HARDWARE - PURCHASE LOCALLY                                |
| 26      | 7753R    | Light Switch   |         |          |   |
| 27      | 5347R    | Fuse - 15 Amp  |         |          |   |
| 28      | 5347R    | Fuse - 20 Amp  |         |          |   |
| 29      | 7753R    | Battery Cable - Ground                                 |         |          |   |
| 30      | 8113R    | Fuse Harness   |         |          |   |
| 31      | 7852H    | Key, Sr.   |         |          |   |
| 32      | 4468R    | Ignition Switch (Inc. Key No. 32)                      |         |          |   |

**REPAIR PARTS**

ROPER 16T GARDEN TRACTOR-MODEL NO. T6328BR

**TRANSAXLE**



**REPAIR PARTS**

ROPER 16T GARDEN TRACTOR-MODEL NO. T6328BR

**TRANSAXLE**

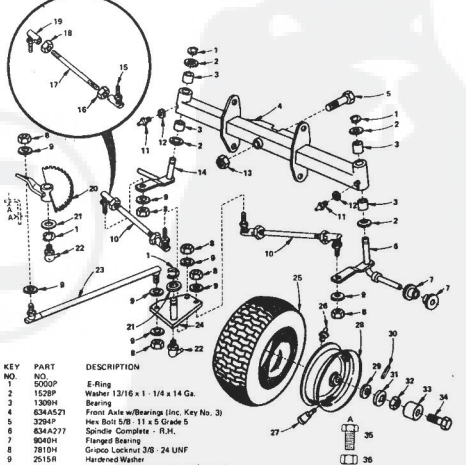
| KEY NO. | PART NO. | DESCRIPTION  | KEY NO. | PART NO. | DESCRIPTION                                       |
|---------|----------|--|---------|----------|---|
| 1       | 4197R    | Axle Shaft   | 40      | 4895H    | Needle Bearing                                    |
| 2       | 5848R    | Retaining Ring   | 41      | 4222R    | Needle Bearing                                    |
| 3       | 4198R    | Final Drive Gear   | 42      | 1502R    | Needle Bearing                                    |
| 4       | 4218R    | Differential Gear  | 52      | 8118R    | Needle Bearing                                    |
| 5       | 4215R    | Differential Pinion  | 53      | 4220R    | Thrust Bearing Race                               |
| 6       | 4217R    | Differential Carrier   | 40      | 4209R    | 3rd Reduction Pinion - Low                        |
| 7       | 6256H    | Axle Thrust Washer   | 41      | 4213R    | 4th Reduction Gear                                |
| 8       | 3056P    | Hex Bolt 3/8 - 24 UNF x 3 - 1/4 (17" Thread Length)  | 58      | 4442R    | 3rd Reduction Pinion Spacer                       |
| 9       | 7892M    | Steel Ball   | 59      | 4158R    | 2nd Reduction Gear Shaft                          |
| 10      | 6272H    | Spring Shifts Fork Detent  | 58      | 4214R    | Final Drive Pinion                                |
| 11      | 4885R    | Shift Fork, High - Low Range   | 59      | 4158R    | 1st Reduction Gear Shaft                          |
| 12      | 6286H    | Thrust Bearing Race  | 61      | 4209H    | 3rd Reduction Pinion - High                       |
| 13      | 4212R    | 4th Reduction Pinion   | 62      | 4207H    | 2nd Reduction Gear                                |
| 14      | 4198R    | 3rd Reduction Gear Shaft   | 63      | 7398H    | Needle Bearing                                    |
| 15      | 6276H    | Snap Ring - Crescent Type  | 64      | 4203R    | Low Speed Gear and 2nd Reduction Pinion Cluster   |
| 16      | 633A63   | High - Low Range Gears   | 65      | 4204R    | Reverse Gear                                      |
| 17      | 8118M    | Needle Bearing   | 67      | 4028H    | Snap Ring - Crescent Type Intermediate Speed Gear |
| 18      | 8740H    | Sintered Iron Bearing  | 68      | 4209R    | High Speed Gear                                   |
| 19      | 6271H    | Shift Fork Shaft, High - Low Range   | 69      | 4208R    | Thrust Bearing Race                               |
| 20      | 4218R    | Differential Pinion Spacer   | 70      | 1370H    | Intermediate and High Speed Cluster Pinion        |
| 21      | 6261H    | Differential Pinion Quabing  | 71      | 633A66   | Input Shaft                                       |
| 22      | 7810H    | Groove Centerlock Nut 3/8 - 24 UNF   | 72      | 4103R    | Low Speed Pinion                                  |
| 23      | 4888R    | Shift Fork - L.H.  | 73      | 5201R    | E-Ring  |
| 24      | 7363R    | Oil Seal   | 74      | 5001P    | Reverse Idler Gear                                |
| 25      | 9821H    | Sintered Iron Bearing  | 75      | 1153R    | Reverse Idler Thrust Washer                       |
| 26      | 6216H    | Shift Fork Shaft   | 76      | 7324P    | Needle Bearing                                    |
| 27      | 6282H    | Shift Fork - R.H.  | 77      | 5094P    | Sealing Washer                                    |
| 28      | 6218H    | Shift Shaft, High - Low Range  | 78      | 1167R    | Hex Jam Nut 7/16 - 20 UNF                         |
| 29      | 6289H    | Oil Seal   | 80      | 541P     | Oil Seal  |
| 30      | 8055H    | Pressure Relief Valve  | 81      | 8270H    | Reverse Idler Shaft                               |
| 31      | 633A85   | Gearcase, Reverse Idler Shaft and Bearings - R.H. (Inc. Key No's. 17, 18, 25, 26, 50, 51, 76, 77 and 82) | 83      | 6364H    | Control Knob                                      |
| 32      | 6277H    | Down Pin   | 84      | 8618H    | Gear Shift Lever - Bent                           |
| 33      | 4222R    | Needle Bearing   | 85      | 3013R    | Gear Shift Cap                                    |
| 34      | 7388H    | Thrust Bearing Race  | 86      | 633A86   | Gear Shift Lever Cover and Pin                    |
| 35      | 4106R    | 4th Reduction Gear Shaft   | 87      | 8739H    | Shift Lever Guide Ball - Keyed                    |
| 36      | 4200R    | 4th Reduction Gear Spacer  | 88      | 4924H    | Spring  |
| 37      | 7398H    | Thrust Bearing Race  | 89      | 1593P    | Washer 15/32 x 5/8 x 16 Ga.                       |
| 38      | 6275H    | Gearcase Gasket  | 90      | 8105R    | Shift Mechanism Seal                              |
| 39      | 633A64   | Gearcase and Bearings - L.H. (Inc. Key No's. 18, 25, 49, 50, 52, 51 and 52)                              | 92      | 75J      | Washer 9/16 x 5/16 x 11 Ga.                       |
| 40      | 4002P    | Flange Fitting   | 93      | 6274H    | Shift Ball Cover Gasket                           |
| 41      | 4003P    | Street Elbow 90°, 1/2 - 1/4 N.P.T.   | 94      | 2505P    | "O" Ring 1/8 x 3/4                                |
| 45      | 6271H    | Oil Seal   | 95      | 1003P    | Lockwasher 5/16                                   |
| 46      | 4001P    | Pipe Plug 1/4 - 18 N.P.T.  | 96      | 3105P    | Hex Bolt 5/16 - 18 UNC x 7/8                      |
| 47      | 3087P    | *Hex Bolt 5/16 - 18 x 1 1/2 Grade 5  | 97      | 633A82   | Gear Shift Lever Assy.                            |
| 48      | 1007P    | Lockwasher 5/16 Extra Heavy  | 98      | 633A78   | Transaxle Assembly Less Brake Drum & Shift Lever  |
|         |          |  | 99      | 7835M    | Woodruff Key 1/8 x 1/2                            |

\*STANDARD HARDWARE - PURCHASE LOCALLY

**REPAIR PARTS**

ROPER 16T GARDEN TRACTOR-MODEL NO. T6328BR

**FRONT AXLE**



| KEY NO. | PART NO. | DESCRIPTION   | KEY NO. | PART NO. | DESCRIPTION                        |
|---------|----------|---|---------|----------|------------------------------------|
| 1       | 5000P    | E-Ring  | 27      | 795R     | Tire Valve                         |
| 2       | 1528P    | Washer 13/16 x 1 - 1/4 x 14 Ga.                         | 28      | 8856H    | Cross Fitting 1/4 - 28 Taper Thrd. |
| 3       | 1308H    | Bearing   | 29      | 1562P    | Front Wheel and Bearings           |
| 4       | 634A52I  | Front Axle w/Bearings (Inc. Key No. 3)                  | 30      | 8758H    | Rear Ax 5/22 x 1                   |
| 5       | 2294P    | Hex Bolt 5/8 - 11 x 5 Grade 5                           | 31      | 8758H    | Rear Ax 5/22 x 1                   |
| 6       | 634A277  | Spline Complete - R.H.                                  | 32      | 4631H    | Elastic Nut 3/8 - 16 UNF           |
| 7       | 8040H    | Flanged Bearing   | 33      | 8162H    | Dist. Cap. Cover                   |
| 8       | 7810H    | Hardwood Washer   | 34      | 3008P    | Hex Bolt 5/16 - 18 x 1/2           |
| 9       | 2515R    | Grass Locknut 3/8 - 24 UNF                              | 35      | 2502P    | *Hex Bolt 3/8 - 24 x 1             |
| 10      | 7838R    | Tie Rod and Joints (Inc. Key No's. 15, 16, 17, 18 & 19) | 36      | 546P     | *Hex Jam Nut 3/8 - 24 UNF          |
| 11      | 6855M    | Grease Fitting  |         |          |                                    |
| 12      | 1505P    | Washer 9/32 x 1/2 x 14 Ga.                              |         |          |                                    |
| 13      | 4764H    | Hublock Nut 5/8 x 11 UNC                                |         |          |                                    |
| 14      | 634A728  | Spline Complete - L.H.                                  |         |          |                                    |
| 15      | 8515R    | Tie Rod Joint (R.H. Thread)                             |         |          |                                    |
| 16      | 556P     | *Hex Jam Nut 1/2 - 20 (R.H. Thread)                     |         |          |                                    |
| 17      | 634A819  | Tie Rod and Nuts (Inc. Key No's. 16 & 18)               |         |          |                                    |
| 18      | 556P     | *Hex Jam Nut 1/2 - 20 (L.H. Thread)                     |         |          |                                    |
| 19      | 8514R    | Tie Rod Joint (L.H. Thread)                             |         |          |                                    |
| 20      | 634A813  | Strutting Grov. Section and Arm                         |         |          |                                    |
| 21      | 1502P    | Washer 4/8 Ga. - 1 - 1/4 x 16 Ga.                       |         |          |                                    |
| 22      | 6842H    | Grease Fitting  |         |          |                                    |
| 23      | 7837H    | Dist. Cap. Cover  |         |          |                                    |
| 24      | 634A98   | Strutting Bolt C.A.M. Wedgeless                         |         |          |                                    |
| 25      | 3328R    | Front Tire 18 x 6.50 - 8 T.S.                           |         |          |                                    |

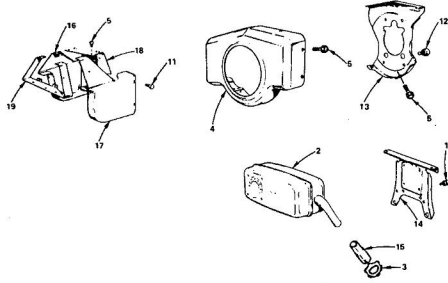
\*STANDARD HARDWARE - PURCHASE LOCALLY

### REPAIR PARTS

16T GARDEN TRACTOR—MODEL NO. T6328BR  
BRIGGS AND STRATTON ENGINE—MODEL NO. 401417, TYPE NO. 0127-01

#### MUFFLER, AIR GUIDE AND HOUSING GROUP

ALL ENGINE PARTS MUST BE PURCHASED THROUGH AND SERVICE PERFORMED BY YOUR LOCAL BRIGGS AND STRATTON DEALER.



| KEY NO. | PART NO. | DESCRIPTION                              | KEY NO. | PART NO. | DESCRIPTION         |
|---------|----------|--|---------|----------|---------------------|
| 1       | 93643    | Screw - Sems                             | 13      | 392934   | Back Plate As'y.    |
| 2       | 392999   | Muffler - Exhaust                        | 14      | 222776   | Bracket - Muffler   |
| 3       | 91547    | Locknut - Muffler                        | 15      | 231462   | Connector - Muffler |
| 4       | 392681   | Housing - Blower                         | 16      | 392981   | Cover As'y. - Air   |
| 5       | 93158    | Screw - Sems                             | 17      | 392982   | Cover As'y. - Air   |
| 11      | 93976    | Screw - Hex Hd. (Back Plate to Cylinder) | 18      | 393025   | Rear Insert As'y.   |
| 12      | 93777    | Screw - Hex Hd. (Back Plate to Cylinder) | 19      | 222775   | Frame - Air Guide   |

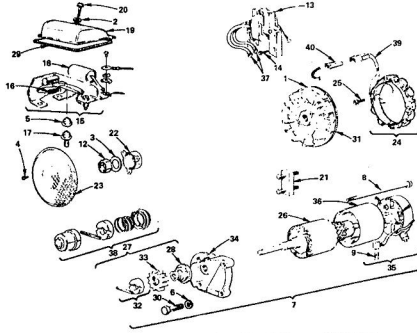
OPTIONAL EQUIPMENT  
392114 Soak Arrestor Assembly  
222973 Deflector (Side Outlet)  
93709 Screw (6 Required)

### REPAIR PARTS

16T GARDEN TRACTOR—MODEL NO. T6328BR  
BRIGGS AND STRATTON ENGINE—MODEL NO. 401417, TYPE NO. 0127-01

#### STARTER MOTOR GROUP

ALL ENGINE PARTS MUST BE PURCHASED THROUGH AND SERVICE PERFORMED BY YOUR LOCAL BRIGGS AND STRATTON DEALER.



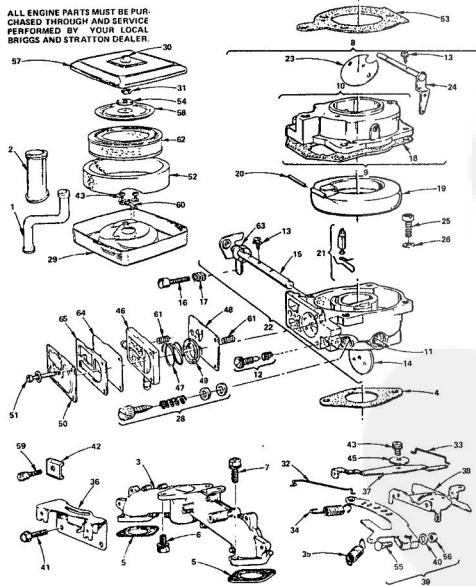
| KEY NO. | PART NO. | DESCRIPTION               | KEY NO. | PART NO. | DESCRIPTION                          |
|---------|----------|---------------------------|---------|----------|--------------------------------------|
| 1       | 392966   | Flywheel and Ring         | 21      | 19203    | Pulley - Flywheel (Optional Equip)   |
| 2       | 271037   | Washer                    | 22      | 222674   | Cup - Screen Mounting                |
| 3       | 222511   | Washer - Spring           | 23      | 222673   | Screen Flute Rotating                |
| 4       | 93805    | Screw - Sems              | 24      | 393474   | Stator - Alternator                  |
| 5       | 290222   | Shaft - Plunger           | 25      | 93521    | Screw - Sems                         |
| 6       | 90368    | Lockwasher                | 26      | 392747   | Armature Assembly                    |
| 7       | 392017   | Motor - Starting          | 27      | 391461   | Drive As'y. - Starter                |
| 8       | 93887    | Thru Bolt                 | 28      | 391135   | Clutch As'y. - Starter               |
| 9       | 391705   | Brush Set                 | 29      | 271039   | Gasket - Breaker Box                 |
| 10      | 239264   | Nut - Hex                 | 30      | 91162    | Screw - Hex Hd. 5/16 - 18 x 1-1/2    |
| 13      | 392329   | Armature Assembly         | 31      | 391382   | Gear - Flywheel Ring Inc. Mfg. Parts |
| 14      | 93381    | Screw - Armature Mfg. Sem | 32      | 391462   | Retainer and Pin Assembly            |
| 15      | 393463   | Breaker As'y. - Ignition  | 33      | 280104   | Gear - Starter                       |
| 16      | 26218    | Bracket - Breaker         | 34      | 392602   | Driver End Cap                       |
| 17      | 393450   | Plunger - Breaker         | 35      | 393010   | Commutator End Cap As'y. - Starter   |
| 18      | 392912   | Connector                 | 36      | 392144   | Housing Assembly                     |
| 19      | 212219   | Cover - Breaker Point     | 37      | 271798   | Terminal - Ignition Cable            |
| 20      | 93854    | Screw - Sems              | 38      | 392354   | Kit - Pinion Spring                  |
|         |          |                           | 39      | 393456   | Diode and Connector As'y.            |
|         |          |                           | 40      | 393362   | Alternator Harness As'y.             |

### REPAIR PARTS

16T GARDEN TRACTOR—MODEL NO. T6328BR  
BRIGGS AND STRATTON ENGINE—MODEL NO. 401417, TYPE NO. 0127-01

#### AIR CLEANER-CARBURETOR GROUP

ALL ENGINE PARTS MUST BE PURCHASED THROUGH AND SERVICE PERFORMED BY YOUR LOCAL BRIGGS AND STRATTON DEALER.



### REPAIR PARTS

16T GARDEN TRACTOR—MODEL NO. T6328BR  
BRIGGS AND STRATTON ENGINE—MODEL NO. 401417, TYPE NO. 0127-01

#### AIR CLEANER-CARBURETOR GROUP

ALL ENGINE PARTS MUST BE PURCHASED THROUGH AND SERVICE PERFORMED BY YOUR LOCAL BRIGGS AND STRATTON DEALER.

| KEY NO. | PART NO. | DESCRIPTION                               | KEY NO. | PART NO. | DESCRIPTION                                       |
|---------|----------|---|---------|----------|---|
| 1       | 280185   | Tube - Breather                           | 32      | 261444   | Link - Governor                                   |
| 2       | 280188   | Tube - Intake                             | 33      | 261460   | Link - Speed Control                              |
| 3       | 392970   | Manifold As'y. - Intake                   | 34      | 261446   | Spring - Governor                                 |
| 4       | 271015   | *Gasket - Carb. Mfg.                      | 35      | 261487   | Spring - Governor Idle                            |
| 5       | 270884   | *Gasket - Intake Manifold Mfg.            | 36      | 279807   | Bracket - Speed Control                           |
| 6       | 90415    | Screw - Carb. Mfg. Sem                    | 37      | 222628   | Lever - Speed Control                             |
| 7       | 92308    | Screw - Intake Manifold Mfg. Sem          | 38      | 392033   | Plate As'y. Governor Control                      |
| 8       | 392806   | Carburetor As'y.                          | 39      | 392943   | Lever As'y. - Governor                            |
| 9       | 262207   | Body As'y. - Upper Carb.                  | 40      | 222280   | Washer  |
| 10      | 393283   | Body - Upper Carb.                        | 41      | 93868    | Screw - Sems                                      |
| 11      | 23108    | Bodying - Throttle Shaft                  | 42      | 221525   | Clamp - Casing                                    |
| 12      | 292681   | *Valve As'y. - Carb. Idle                 | 43      | 93866    | Screw - Sems                                      |
| 13      | 93499    | Screw - Throttle and Choke Valve Mfg. Sem | 45      | 231172   | Brushing - Speed Control                          |
| 14      | 222432   | Valve - Throttle                          | 46      | 280197   | Body - Pump                                       |
| 15      | 362672   | Shaft and Lever - Throttle                | 47      | 261395   | *Spring - Pump                                    |
| 16      | 91620    | Screw - Mach. Fil. Hd. B - 32 x 5/8       | 48      | 270988   | *Diaphragm  |
| 17      | 26157    | Spring - Throttle Adj.                    | 49      | 231277   | *Cap - Spring                                     |
| 18      | 271008   | *Gasket - Carburetor Body                 | 50      | 222615   | Cover - Diaphragm                                 |
| 19      | 26514    | Floar - Carburetor                        | 51      | 93829    | Screw - Diaphragm Cover                           |
| 20      | 230896   | *Pin - Flgat Hinge                        | 52      | 270986   | Element - Air Cleaner                             |
| 21      | 269696   | *Valve - Fuel Inlet                       | 53      | 271014   | Gasket - Air Cleaner                              |
| 22      | 362665   | Body - Lower Carb.                        | 54      | 271180   | Washer  |
| 23      | 222010   | Valve - Choke                             | 55      | 92278    | Bolt - Governor Lever                             |
| 24      | 362673   | Shaft and Lever - Choke                   | 56      | 92278    | Nut - Hex 10 - 24                                 |
| 25      | 90764    | Screw - Machine, Fil. Hd. 10/32 x 5/8     | 57      | 222353   | Cover - Air Cleaner                               |
| 26      | 92290    | Washer - Lock 10 x 1/16 x 3/64            | 58      | 222835   | Cartridge Plate - Air Cleaner                     |
| 28      | 391325   | Jet - Main Assembly                       | 59      | 93465    | Screw - Sems                                      |
| 29      | 222751   | Body - Air Cleaner                        | 60      | 392943   | Mounting Strap As'y. - Air Cleaner                |
| 30      | 212292   | Knob - Air Cleaner                        | 61      | 261556   | *Spring   |
| 31      | 93715    | Nut - Hex                                 | 62      | 392642   | Cartridge - Air Cleaner                           |
|         |          |   | 63      | 271013   | Washer - Choke Shaft                              |
|         |          |   | 64      | 270989   | *Diaphragm - Damper                               |
|         |          |   | 65      | 271026   | *Gasket - Carb. Pump                              |
|         |          |   | ...     | 392378   | Gasket Set (Includes Parts Marked *)              |
|         |          |   | ...     | 393301   | Carburetor Overhaul Kit (Includes Parts Marked *) |

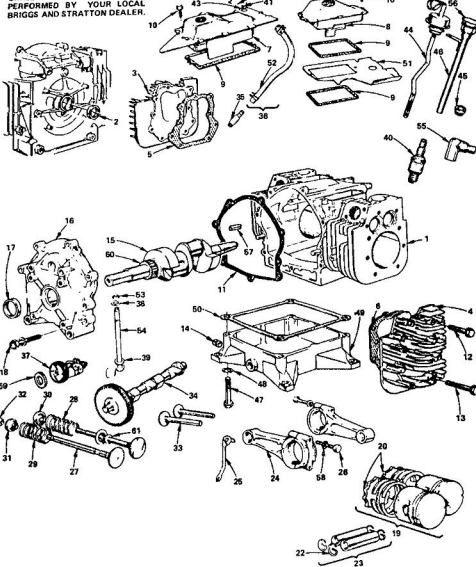


**REPAIR PARTS**

18T GARDEN TRACTOR - MODEL NO. T6328BR  
BRIGGS AND STRATTON ENGINE - MODEL NO. 401417, TYPE NO. 0127-01

**CYLINDER, CRANKSHAFT AND ENGINE BASE GROUP**

ALL ENGINE PARTS MUST BE PURCHASED THROUGH AND SERVICE PERFORMED BY YOUR LOCAL BRIGGS AND STRATTON DEALER.



**REPAIR PARTS**

18T GARDEN TRACTOR - MODEL NO. T6328BR  
BRIGGS AND STRATTON ENGINE - MODEL NO. 401417, TYPE NO. 0127-01

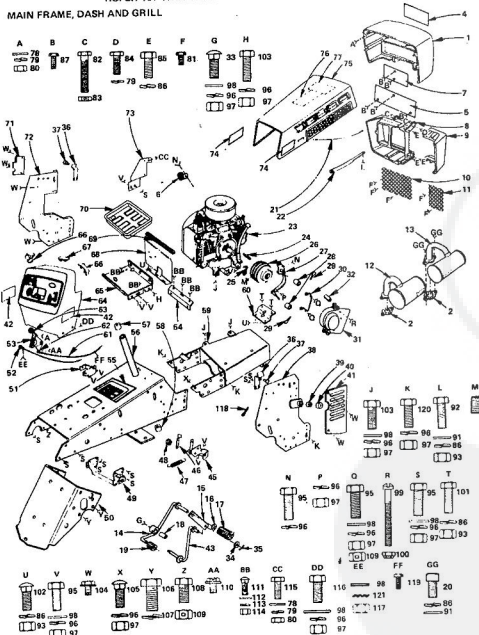
**CYLINDER, CRANKSHAFT AND ENGINE BASE GROUP**

| KEY NO. | PART NO. | DESCRIPTION                             | KEY NO. | PART NO. | DESCRIPTION                       |
|---------|----------|---|---------|----------|-----------------------------------|
| 1       | 392374   | Cylinder Assembly                       | 26      | 92009    | Screw - Connecting Rod            |
| 2       | 391085   | Seal - Oil                              | 27      | 290420   | Valve - Exhaust                   |
| 3       | 212179   | Head - Cylinder No. 1                   | 28      | 68006    | Spring - Intake Valve             |
| 4       | 212180   | Head - Cylinder No. 2                   | 29      | 29023    | Spring - Exhaust Valve            |
| 5       | 270984   | Gasket - Cylinder Head No. 1            | 30      | 221506   | Retainer - Intake Valve           |
| 6       | 270985   | Gasket - Cylinder Head No. 2            | 31      | 292566   | Retainer - Exhaust Valve          |
| 7       | 392343   | Breather Assembly No. 1                 | 32      | 98350    | Retainer - Exhaust Valve Retainer |
| 8       | 391103   | Breather Assembly No. 2                 | 33      | 291568   | Tappet - Valve                    |
| 9       | 27203    | Gasket - Valve Cover                    | 34      | 215173   | Cam - Cam                         |
| 10      | 93294    | Screw - Set                             | 35      | 62718    | Elbow - Connector                 |
| 11      | 270982   | Gasket - Crankcase Cover 1/8" Thick     | 36      | 923244   | Pin - Fuel                        |
| 11      | 271145   | Gasket - Crankcase Cover .005" Thick    | 37      | 392373   | Gov - Governor                    |
| 12      | 211446   | Gasket - Crankcase Cover .008" Thick    | 38      | 220863   | Washer - Gov. Crank (outside)     |
| 12      | 93111    | Screw - Cylinder Head (1 - 15/16" Long) | 39      | 98552    | Washer - Gov. Crank (inside)      |
| 13      | 93113    | Screw - Cylinder Head (2 - 5/16" Long)  | 40      | 392345   | Plug - Spark (Retainer)           |
| 14      | 91084    | Plug - Oil Drain                        | 41      | 90576    | Nut - Hex 8 - 32                  |
| 15      | 392304   | Crankshaft                              | 42      | 23114    | Terminal                          |
| 16      | 392327   | Cover Assembly - Crankcase              | 43      | 280180   | Grommet - Insulator               |
| 17      | 291675   | Seal - Oil                              | 44      | 392181   | Cap and Dipstick - Oil Filler     |
| 18      | 92847    | Cover - Crankcase Cover Mfg. Sem        | 45      | 68838    | Seal - Filler Tube                |
| 19      | 392371   | Piston Assembly - Standard              | 46      | 392782   | Tube - Oil Filler                 |
| 19      | 392343   | Piston Assembly - .010" O.S.            | 47      | 93263    | Screw - Hex Hd.                   |
| 19      | 392344   | Piston Assembly - .020" O.S.            | 48      | 93268    | Washer                            |
| 19      | 392345   | Piston Assembly - .030" O.S.            | 49      | 932412   | Base - Engine                     |
| 20      | 392327   | Ring Set - Piston - Standard            | 50      | 279961   | Gasket - Engine Base              |
| 20      | 392343   | Ring Set - Piston - .010" O.S.          | 51      | 93953    | Ball - Valve                      |
| 20      | 392344   | Ring Set - Piston - .020" O.S.          | 52      | 93953    | Clamp - Fuel Pipe                 |
| 20      | 392345   | Ring Set - Piston - .030" O.S.          | 53      | 93951    | Retainer - E-Bracket              |
| 20      | 392342   | Ring Set - Piston - .020" O.S.          | 54      | 393309   | Crank - Governor                  |
| 22      | 290294   | Lock - Piston                           | 55      | 60230    | Washer - Spark Plug               |
| 23      | 290991   | Pin Assembly - Piston - Standard        | 56      | 270933   | Seal - Oil Filler Cap             |
| 23      | 291295   | Pin Assembly - Piston - .005" O.S.      | 57      | 61760    | Key - Flywheel                    |
| 24      | 392320   | Rod Assembly - Connecting               | 58      | 220862   | Washer                            |
| 25      | 292460   | Dipper - Connecting Rod                 | 59      | 222773   | Washer - Thrust                   |
|         |          |   | 60      | 161363   | Gear - Timing                     |
|         |          |   | 61      | 393279   | Seal As'y. and Retainer           |

\*Inc. in Gasket Set - 392378

**REPAIR PARTS**

ROPER 18T TWIN-GARDEN TRACTOR - MODEL NO. T8328AR  
MAIN FRAME, DASH AND GRILL



**REPAIR PARTS**

ROPER 18T TWIN-GARDEN TRACTOR - MODEL NO. T8328AR  
MAIN FRAME, DASH AND GRILL

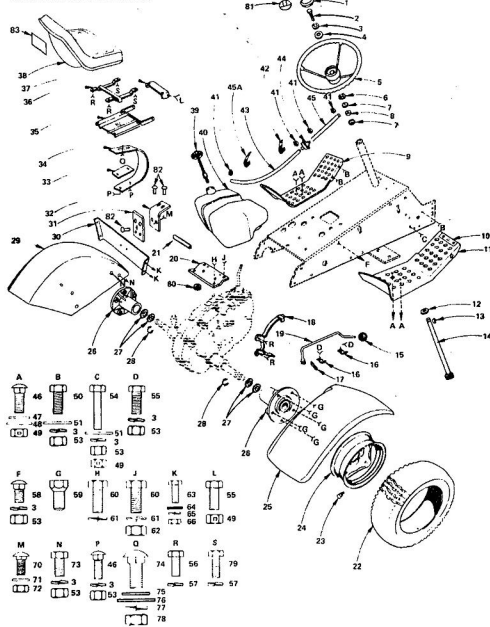
| KEY NO. | PART NO. | DESCRIPTION                             | KEY NO. | PART NO. | DESCRIPTION   |
|---------|----------|---|---------|----------|---|
| 1       | 911J     | Grill - Upper                           | 68      | 107J     | Battery Heat Shield   |
| 2       | 876J     | Gasket - Exhaust Manifold               | 69      | 787AR    | Hood Seal   |
| 3       | 245J     | Decal - R.H.                            | 70      | 885AR    | Battery Tray  |
| 4       | 291J     | Grill - Panel - Lower                   | 71      | 85J      | Cover - L.H.  |
| 5       | 5200R    | Wire - Coil                             | 72      | 113J     | Bracket - Battery Support - L.H.  |
| 7       | 290J     | Grill - Panel - Upper                   | 73      | 98J      | Bracket - Rectifier   |
| 7       | 7937R    | Grill - Lower                           | 74      | 246J     | Decal - Roper Logo  |
| 9       | 7938R    | Grill - Side                            | 75      | 634AR01  | Hood As'y.  |
| 10      | 2014R    | Lock - Screen - L.H.                    | 76      | 8028R    | Decal - Instruction   |
| 11      | 2073R    | Grill Screen - R.H.                     | 77      | 8880R    | Decal - Wiring  |
| 12      | 105J     | Muffler - Rear                          | 78      | 1505P    | Washer 5/32 x 5/8 x 16 Ga.  |
| 13      | 104J     | Muffler - Front                         | 79      | 1002P    | Lockwasher 1/4"   |
| 14      | 634AR01  | Lock - Screen - L.H.                    | 80      | 503P     | Hex Nut 1/4 - 20 UNC  |
| 15      | 92J      | Link                                    | 81      | 6501P    | Phillips Pan Hd. Thd. Self Tas. 10 - 24 x 3/8 Type 1                    |
| 16      | 92J      | Push-On Nut                             | 82      | 3267P    | *Hex Bolt 1/4 - 20 x 1 - 1/2 Grade 5                                    |
| 17      | 53J      | Rubber Pad                              | 83      | 1606H    | Locknut 1/4 - 20 UNC  |
| 18      | 91J      | Pivot Spacer                            | 84      | 2003P    | *Hex Bolt 1/4 - 20 x 3/4  |
| 19      | 2812R    | Lock - Screen - L.H.                    | 85      | 3010P    | *Hex Bolt 5/16 - 18 x 3/4   |
| 20      | 3368P    | Sec. Hd. Cap Screw 5/16 - 18 x 3/4      | 86      | 1003P    | Lockwasher 5/16   |
| 21      | 8058R    | Grill Cable                             | 87      | 6554P    | *Phillips Pan Hd. Thd. Self Tas. 10 - 18 x 1/2 on Thd. x 1/2 Bolt Point |
| 22      | 878J     | Grill Brace                             | 88      | 3022P    | *Hex Bolt 1/4 - 20 x 1 - 1/2 Grade 5                                    |
| 22      | 634AR10  | Engine, Clean 18 H.P. 949M-GAO18/2417A  | 89      | 1537P    | *Washer 11/32 x 11/16 x 16 Ga.  |
| 24      | 9205R    | Sec. Key 1/4 x 2                        | 90      | 3011P    | *Hex Bolt 5/16 - 18 x 1   |
| 25      | 8245R    | Belt Retainer Finger                    | 91      | 604P     | *Hex Nut 5/16 - 18 UNC  |
| 26      | 634A104  | Engine Pulley w/Std. Screws             | 92      | 4940P    | Hex. Forged Socket Hex. Set Screw 5/16 - 18 x 1/2                       |
| 27      | 634A27   | Bolt Guide Weldment                     | 93      | 3022P    | *Hex Bolt 3/8 - 16 x 1  |
| 28      | 8104H1   | Spacer                                  | 94      | 1004P    | Lockwasher 3/8  |
| 29      | 4939A    | Retainer Spring                         | 95      | 501P     | *Hex Nut 3/8 - 16 UNC   |
| 30      | 9011H    | Belt Retainer                           | 96      | 1505P    | Washer 13/32 x 13/16 x 16 Ga.   |
| 31      | 634A59   | Belt Guard Weldment                     | 97      | 2154P    | Std. Fil. Hd. Machine Screw 1/4 - 20 x 2 - 1/4                          |
| 32      | 8238H    | Self Spacer                             | 100     | 347H     | Hiplock Nut 1/4 - 29 UNC  |
| 33      | 50P      | Washer 17/32 x 1 x 16 Ga.               | 102     | 6P       | *Carriage Bolt 5/16 - 18 x 3/4  |
| 34      | 1548P    | Cotter Pin 1/8 x 1                      | 103     | 3025P    | *Hex Bolt 3/8 - 16 x 1 - 1/4  |
| 36      | 634A00   | Hood Latch                              | 104     | 5557P    | Hex Washer Hd. Thd. Cutting Screw 1/4 - 20 x 1/2 Type 1                 |
| 37      | 6457R    | Support Bumper                          | 105     | 61P      | Std. Neck Carriage Bolt - Shroul. Shroul. 3/8 - 18 x 1 Ga. 5            |
| 38      | 634A03   | Battery Support Bracket (Inc. Key 39)   | 106     | 3035P    | *Hex Bolt 7/16 - 14 x 1 - 1/4   |
| 39      | 7368R    | Bearing                                 | 107     | 1001P    | Lockwasher 7/16   |
| 40      | 8906R    | Cap - R.H.                              | 108     | 3021P    | *Hex Bolt 3/8 - 16 x 3/4  |
| 41      | 7329R    | Cover - R.H.                            | 109     | 639AH    | Hex. Std. Hd. Machine Screw w/Sem. Int. Tooth Lockwasher 10 - 22 x 1/4  |
| 42      | 291J     | Modal Decal - Side of Dash              | 110     | 6055P    | Hex. Std. Hd. Machine Screw w/Sem. Int. Tooth Lockwasher 10 - 22 x 1/4  |
| 43      | 634A02   | Lever Weldment                          | 111     | 53P      | Std. Neck Carriage Bolt 10 - 24 x 1/2                                   |
| 45      | 634A136  | Header Weldment R.H. - Front            | 112     | 1536P    | Washer 7/32 x 7/16 x 16 Ga.   |
| 46      | 7844R    | Belt Tightener Arm                      | 113     | 1006P    | Lockwasher No. 10   |
| 47      | 7948R    | Return Spring                           | 114     | 895P     | *Hex Nut 10 - 24 UNC  |
| 48      | 7810R    | Locknut 3/8 - 24 UNF                    | 115     | 2154P    | *Hex Bolt 3/8 - 16 x 1 - 1/2  |
| 49      | 634A14   | Header Weldment - Rear                  | 116     | 515P     | *Hex Nut 3/8 - 24 UNF   |
| 50      | 634A78   | Drawbar and Weldnuts                    | 118     | 2514P    | Cotter Pin 1/4 x 1  |
| 51      | 634A55   | Header Weldment - L.H. - Front          | 119     | 5922P    | *Slotted Pan Hd. Self Tas. Screw No. 8 x 3/4 Typ. AB                    |
| 52      | 7931R    | Choke Control                           | 120     | 3025P    | *Hex Bolt 3/8 - 16 x 1 - 1/4 Ga. 5                                      |
| 53      | 1518J    | Throttle Control (Inc. Key 61, 62 & 63) | 121     | 1402P    | Std. Tooth Lockwasher - 3/8   |
| 54      | 927J     | Decal (Std. Pattern)                    |         |          |   |
| 55      | 9634R    | Chassis As'y. (Inc. Key 57 & 58)        |         |          |   |
| 56      | 634A88   | Bearing                                 |         |          |   |
| 57      | 6468H    | Bearing                                 |         |          |   |
| 58      | 4760H    | Engine Mount As'y.                      |         |          |   |
| 59      | 634A08   | Grill Spacer                            |         |          |   |
| 60      | 98J      | Throttle Wire & Casing                  |         |          |   |
| 61      | 9903R    | Clamp                                   |         |          |   |
| 62      | 8104H    | Throttle Control Lever                  |         |          |   |
| 63      | 1551J    | Dashboard (Inc. Key No's. 68 and 67)    |         |          |   |
| 64      | 634A93   | Battery Support                         |         |          |   |
| 65      | 100J     | Clip - Dashboard                        |         |          |   |
| 66      | 1998R    | Clip - Dashboard                        |         |          |   |
| 67      | 8911R    | Clip - Dashboard                        |         |          |   |

\*STANDARD HARDWARE - PURCHASE LOCALLY



### REPAIR PARTS

ROPER 18T TWIN-GARDEN TRACTOR-MODEL NO. T8328AR  
STEERING AND FINAL DRIVE



### REPAIR PARTS

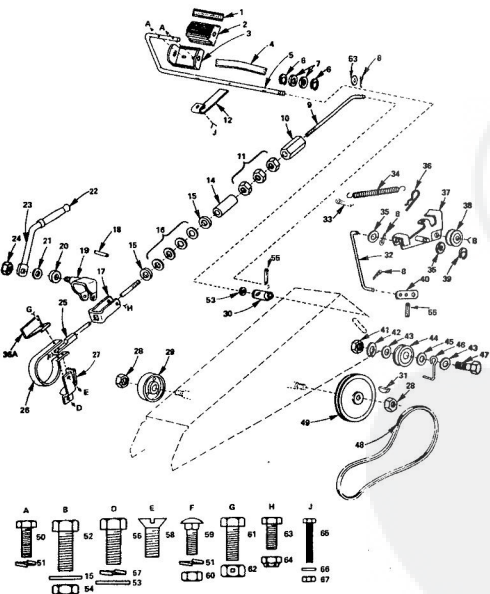
ROPER 18T TWIN-GARDEN TRACTOR-MODEL NO. T8328AR  
STEERING AND FINAL DRIVE

| KEY NO. | PART NO. | DESCRIPTION                    | KEY NO. | PART NO. | DESCRIPTION  |
|---------|----------|--------------------------------|---------|----------|--|
| 1       | 9719R    | Steering Wheel Insert          | 46      | 61P      | St. Nk. Shit. Carr. Bolt 3.8 x 1.0 x 5               |
| 2       | 3023P    | *Hex Bolt 3/8 - 16 x 1         | 47      | 1513P    | Washer 13/32 x 13/16 x 16 Ga.                        |
| 3       | 1004P    | *Lockwasher 3/8                | 48      | 1519P    | Washer 15/32 x 1 x 12 Ga.                            |
| 4       | 1659P    | Washer 7/16 x 1 x 10 Ga.       | 49      | 5294H    | Locknut 3/8 UNC                                      |
| 5       | 2644R    | Steering Wheel                 | 50      | 3025P    | *Hex Bolt 3/8 - 18 x 1 - 1/2                         |
| 6       | 5003P    | E-Ring                         | 51      | 1561P    | Washer 13/32 x 13/16 x 11 Ga.                        |
| 7       | 9002H    | Cap                            | 52      | 501P     | *Hex Nut 3/8 - 16 UNC                                |
| 8       | 5949H    | Rubber Bushing                 | 53      | 3027P    | *Hex Bolt 3/8 - 16 x 1 - 1/2                         |
| 9       | 7903R    | Foot Rest - L.H.               | 54      | 3029P    | Hex Bolt 3/8 - 16 x 7/8                              |
| 10      | 8900R    | Decal (Attach, Clutch)         | 55      | 2010P    | *Hex Bolt 5/16 - 18 x 3/4                            |
| 11      | 7904H    | Foot Rest - R.H.               | 56      | 1003P    | *Lockwasher 5/16                                     |
| 12      | 1653P    | Washer 5/16 x 1 - 1/4 x 16 Ga. | 57      | 18P      | *St. Neck Carriage Bolt 3/8 - 16 x 3/4               |
| 13      | 9858M1   | Woodruff Key 3/16 x 5/8        | 58      | 1304H    | Hub Bolt   |
| 14      | 634A26   | Steering Shaft and Pinion      | 59      | 3034P    | Hex Bolt 7/16 - 14 x 1                               |
| 15      | 7887R    | Control Knob                   | 60      | 500P     | *Lockwasher 7/16                                     |
| 16      | 6442H    | Shift Rod Bracket              | 61      | 500P     | *Hex Nut 7/16 - 14 UNC                               |
| 17      | 2511P    | Cotter Pin 3/16 x 1            | 62      | 3003P    | *Hex Bolt 1/4 - 20 x 3/4                             |
| 18      | 634A22A  | Transmission Bracket           | 63      | 1509P    | Washer 9/32 x 29/32 x 16 Ga.                         |
| 19      | 6477H    | Range Shift Rod                | 64      | 1002P    | *Lockwasher 1/4                                      |
| 20      | 9694H    | Seat Spring                    | 65      | 503P     | *Hex Nut 1/4 - 20 UNC                                |
| 21      | 8674R    | Seat Spring                    | 66      | 50P      | *Shot Shoulder Sq. Neck Carriage Bolt 5/16 - 18 x 24 |
| 22      | 4607R    | Rear Tire 23 x 10.50 - 12      | 67      | 1537P    | Washer 11/32 x 11/16 x 16 Ga.                        |
| 23      | 795P     | Tire Valve                     | 68      | 1888H    | Lock Nut 5/16 - 18 UNC                               |
| 24      | 3535R    | Rear Wheel 2 x 7 JA            | 69      | 3021P    | *Hex Bolt 3/8 - 18 x 3/4                             |
| 25      | 9428R    | Fender - R.H.                  | 70      | 529P     | Carriage Bolt 1/2 - 13 x 1 - 1/4 Gr. 5               |
| 26      | 634A92   | Wheel Hub - Rear               | 71      | 1878P    | Washer 3/4 x 1 - 1/8 x 11 Ga.                        |
| 27      | 9427R    | Acute Thread Washer            | 72      | 1500P    | Washer 17/32 x 1 - 1/2 x 11 Ga.                      |
| 28      | 5645R    | Retaining Ring                 | 73      | 1000P    | *Lockwasher 1/2                                      |
| 29      | 9627R    | Fender - L.H.                  | 74      | 1500P    | *Hex Nut 1/2 - 13 UNC                                |
| 30      | 2556R    | Bracket - Tail Light           | 75      | 3155P    | *Hex Nut 5/16 - 18 x 7/8                             |
| 31      | 1251     | Seat Spring Bracket            | 76      | 1500P    | *Lockwasher 1/2                                      |
| 32      | 1261     | Fuel Tank Retainer             | 77      | 500P     | *Hex Nut 1/2 - 13 UNC                                |
| 33      | 8147H    | Seat Spring Reinforcement      | 78      | 1500P    | *Hex Nut 1/2 - 13 UNC                                |
| 34      | 7898R    | Seat                           | 79      | 1500P    | *Hex Nut 1/2 - 13 UNC                                |
| 35      | 634A76   | Seat Plate Weldment            | 80      | 9947R    | Rubber Grommet                                       |
| 36      | 634A52   | Seat Bracket Weldment          | 81      | 2361     | Steering Wheel Decal                                 |
| 37      | 7977R    | Bracket, Seat Pivot            | 82      | 1241     | Rubber Bumper  |
| 38      | 9746H    | Seat                           | 83      | 245J     | Decal  |
| 39      | 7888R    | Fuel Gauge                     | 84      | 1561P    | Warranty Fact Tag                                    |
| 40      | 7889R    | Fuel Tank                      | —       | 246J     | Owners Manual  |
| 41      | 8999R    | Fuel Line Clamp                |         |          |  |
| 42      | 2751R    | Clip - Fuel Line               |         |          |  |
| 43      | 7834P    | Fuel Line (Long)               |         |          |  |
| 44      | 286J     | In-Line Filter                 |         |          |  |
| 45      | 7833R    | Fuel Line (Short)              |         |          |  |
| 45A     | 9297R    | Clip - Fuel Line               |         |          |  |

\*STANDARD HARDWARE PURCHASE LOCALLY

### REPAIR PARTS

ROPER 18T TWIN-GARDEN TRACTOR-MODEL NO. T8328AR  
BRAKE AND CLUTCH



### REPAIR PARTS

ROPER 18T TWIN-GARDEN TRACTOR-MODEL NO. T8328AR  
BRAKE AND CLUTCH

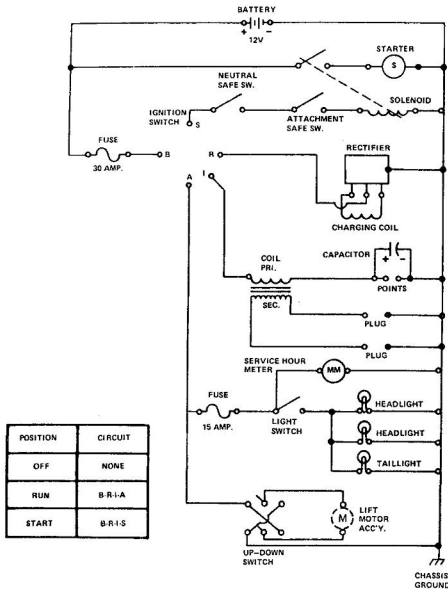
| KEY NO. | PART NO. | DESCRIPTION                        | KEY NO. | PART NO. | DESCRIPTION  |
|---------|----------|------------------------------------|---------|----------|--|
| 1       | 8899R    | Insert Clutch-Brake                | 37      | 634A75A  | Idle Bracket Weldment                              |
| 2       | 8822R    | Foot Pedal                         | 38      | 6238H    | Idle   |
| 3       | 8156H    | Foot Pedal Bracket                 | 39      | 5000P    | E-Ring   |
| 4       | 9008H    | Spring                             | 40      | 634A89B  | Steering Arm Assembly                              |
| 5       | 1111     | Foot Pedal Shaft                   | 41      | 500P     | *Hex Nut 7/16 - 14 UNC                             |
| 6       | 5001P    | E-Ring                             | 42      | 1001P    | *Lockwasher 7/16                                   |
| 7       | 1523P    | Washer 21/32 x 7/8 x 16 Ga.        | 43      | 1544P    | Washer 15/32 x 15/16 x 16 Ga.                      |
| 8       | 2505P    | Cotter Pin 1/8 x 3/4               | 44      | 6835H    | Flat Idle  |
| 9       | 6417H    | Brake Rod - Front                  | 45      | 1500P    | Washer - 409 I.D. x 1 - 1/8 x 11 Ga.               |
| 10      | 2322R    | Lardbuckle                         | 46      | 6479H1   | Belt Fender  |
| 11      | 501P     | *Hex Nut 3/8 - 10 UNC              | 47      | 3262P    | Hex Bolt 7/16 - 14 x 2 - 1/2                       |
| 12      | 7823R    | Spring Washer                      | 48      | 2892H    | V-Belt   |
| 13      | 2201R    | Bushing                            | 49      | 6481H2   | Pulley, Transmission                               |
| 14      | 1507P    | Washer 13/32 x 13/16 x 11 Ga.      | 50      | 3003P    | *Hex Bolt 1/4 - 20 x 3/4                           |
| 15      | 2263R    | Spring Washer                      | 51      | 1002P    | *Lockwasher 1/4                                    |
| 16      | 9656R    | Parking Brake Yoke                 | 52      | 3025P    | *Hex Bolt 3/8 - 24 x 1                             |
| 17      | 1754H    | Roll Pin                           | 53      | 1513P    | *Washer 13/32 x 13/16 x 16 Ga.                     |
| 18      | 634A887  | Lock Bracket Assembly              | 54      | 548P     | *Hex Jam Nut 3/8 - 24 UNF                          |
| 19      | 2221R    | Parking Brake Spacer               | 55      | 5142H    | Roll Pin   |
| 20      | 4379H    | Spring Washer                      | 56      | 3027P    | Hex Bolt 3/8 - 16 x 7/8                            |
| 21      | 5999R    | Handle Grip                        | 57      | 1004P    | *Lockwasher 3/8                                    |
| 22      | 626A241  | Parking Lock Handle Assembly       | 58      | 3164P    | Flar Hd. Machine Screw - Undercut 3/8 - 16 x 2-1/4 |
| 23      | 7810H    | Clutch Centerlock Nut 3/8 - 24 UNF | 59      | 11P      | St. Neck Carriage Bolt 1/4 - 20 x 5/8              |
| 24      | 626A365  | Brake Rod Assembly                 | 60      | 500P     | *Hex Nut 1/4 - 20 UNC                              |
| 25      | 634A157  | Brake Band and Lining              | 61      | 3155P    | *Hex Bolt 5/16 - 18 x 7/8                          |
| 26      | 634A168  | Brake Bracket Assembly             | 62      | 1885H    | Locknut 5/16 - 18 UNC                              |
| 27      | 9294H    | Lock Nut 1/2 - 20 UNF              | 63      | 3244P    | Hex Bolt 1/4 - 28 x 5/8 Gr. 5                      |
| 28      | 7648H1   | Brake Drum                         | 64      | 9071H    | Hexlock Nut 1/4 - 20 UNF                           |
| 29      | 634A889  | Brake Arm Assembly                 | 65      | 3246P    | Hex Hd. Mach. Screw 5 - 32 x 1                     |
| 30      | 9858M1   | Woodruff Key                       | 66      | 1587P    | Washer 5/32 x 3/8 x 20 Ga.                         |
| 31      | 9268R    | Cut-off Rod                        | 67      | 502P     | *Contraction Nut 5 - 32 UNC                        |
| 32      | 7514P    | Cotter Pin 1/4 x 1                 |         |          |  |
| 33      | 1507P    | Washer 17/32 x 1 - 1/16 x 21 Ga.   |         |          |  |
| 34      | 6488H    | Spring                             |         |          |  |
| 35      | 4929M    | Retainer Spring                    |         |          |  |
| 36      | 544J     | Hose Shield                        |         |          |  |

\*STANDARD HARDWARE PURCHASE LOCALLY

### REPAIR PARTS

ROPER 18T TWIN-GARDEN TRACTOR-MODEL NO. T8328AR

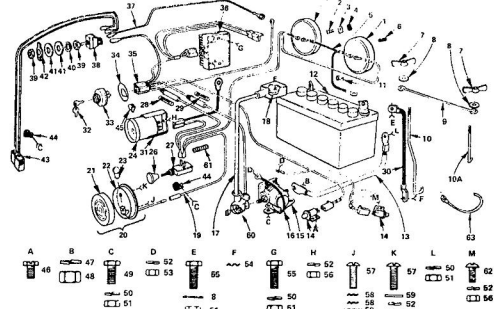
#### SCHEMATIC DIAGRAM



### REPAIR PARTS

ROPER 18T TWIN-GARDEN TRACTOR-MODEL NO. T8328AR

#### ELECTRICAL

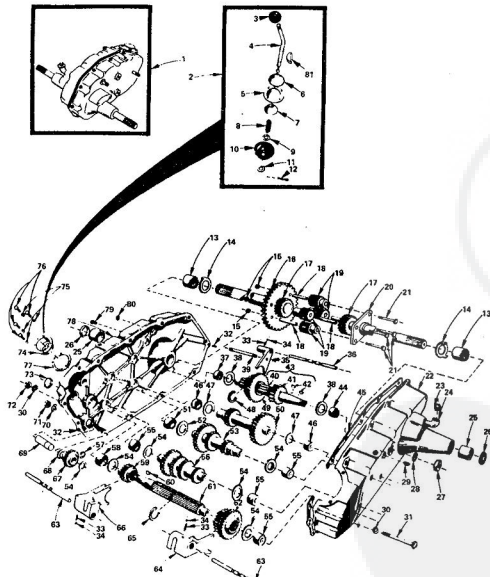


| KEY NO. | PART NO. | DESCRIPTION  | KEY NO. | PART NO. | DESCRIPTION  |
|---------|----------|--|---------|----------|--|
| 1       | 6452R    | Headlight  | 34      | 8856R    | Terminal Identifier  |
| 2       | 5554P    | Pin-Top Pad Hd. Tnd. Cutting Screw No. 10 - 10 x 1/2 | 35      | 8555R    | Wire Harness-Main  |
| 3       | 8785H    | Mounting   | 36      | 7753R    | Regulator-Rectifier  |
| 4       | 8784H    | Rubber Spacer  | 37      | 8669R    | Wiring Ground Lift Switch  |
| 5       | 8231H    | Headlight Ground Wire                                | 38      | 8864R    | Switch-Elec. Lift  |
| 6       | 8197H    | Hose   | 39      | 555P     | Hex Nut, Slim 7/16 - 32 NO. 2A                                       |
| 7       | 3148A    | Washer 1/22 x 5/16 x 18 Ga.                          | 40      | 7318R    | Lockwasher, Internal Tooth   |
| 8       | 1506P    | Battery Clamp  | 41      | 1518P    | Washer 15/22 x 11/16 x 16 Ga.  |
| 9       | 795R     | Battery Bolt   | 42      | 8348R    | Switch Plate   |
| 10      | 2665R    | Battery Bolt   | 43      | 8855R    | 1/8" Motor Harness   |
| 10A     | 8813A    | Insulated Clip                                       | 44      | 5320R    | Clip, Wire   |
| 11      | 4171R    | Battery Bolt   | 45      | 8913A    | Clip   |
| 12      | 221R     | Cable - Solenoid to Starter                          | 46      | 5634P    | Stillet Hex Indented Hd. Self Tapping Screw No. 10 - 24 x 3/8 Type 1 |
| 13      | 2235R    | Relay Switch   | 47      | 1003P    | *Lockwasher 5/16   |
| 14      | 7753R    | Solenoid   | 48      | 538P     | *Hex Slim Nut 1/8 - 24 UNF   |
| 15      | 7754R    | Wiring Ground to Solenoid                            | 49      | 3118P    | *Hex Bolt 1/4 - 20 x 5/8   |
| 16      | 6027R    | Battery Cable  | 50      | 1059P    | *Lockwasher 1/8  |
| 17      | 116J     | Battery Cable  | 51      | 603P     | *Hex Nut 1/4 - 20 UNF  |
| 18      | 8030R    | Light Harness  | 52      | 1059P    | *Lockwasher 1/8  |
| 19      | 8030R    | Light Harness  | 53      | 645P     | *Hex Nut No. 10 - 32 UNF   |
| 20      | 8030H    | Light Harness  | 54      | 1459P    | *Flat Tooth Lockwasher 5/8   |
| 21      | 8222H    | Lens - Taillight                                     | 55      | 3003P    | *Hex Bolt No. 10 - 24 UNF  |
| 22      | 8223H    | Holder - Taillight                                   | 56      | 1469P    | *Flat Tooth Lockwasher No. 10  |
| 23      | 8291H    | Bulb No. 1895 2 Candle Power                         | 57      | 3024P    | *Std. Truss Hd. Mach. Screw 10 - 24 x 3/4                            |
| 24      | 7753R    | Light Switch Knob                                    | 58      | 1604P    | *Std. Tooth Lockwasher No. 10  |
| 25      | 7753R    | Light Switch Knob                                    | 59      | 1604P    | *Washer 7/22 x 1/2 x 18 Ga.  |
| 26      | 524R     | Fuse - 15 Amp.                                       | 60      | 511      | Standard Terminal Cover  |
| 27      | 2212R    | Fuse - 15 Amp.                                       | 61      | 302J     | Wire Guard   |
| 28      | 8291H    | Fuse - 15 Amp.                                       | 62      | 2359P    | Std. R.H. Mach. Screw No. 10 - 24 x 1/2                              |
| 29      | 2753R    | Battery Cable - Ground                               | 63      | 6106R    | Cable Tie  |
| 30      | 8291H    | Maintenance Meter Bracket                            |         |          | *STANDARD HARDWARE-PURCHASE LOCALLY                                  |
| 31      | 7852H    | Key Set  |         |          |  |
| 32      | 2663R    | Ignition Switch                                      |         |          |  |

### REPAIR PARTS

ROPER 18T TWIN-GARDEN TRACTOR-MODEL NO. T8328AR

#### TRANSAXLE



### REPAIR PARTS

ROPER 18T TWIN-GARDEN TRACTOR-MODEL NO. T8328AR

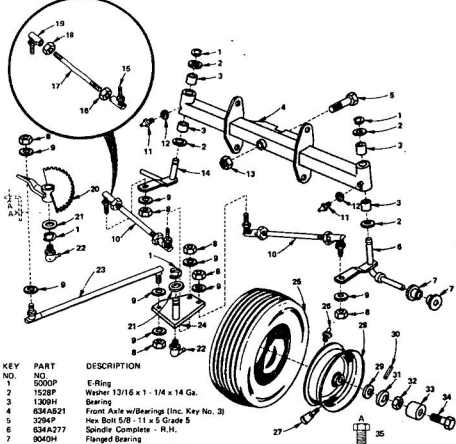
#### TRANSAXLE

| KEY NO. | PART NO. | DESCRIPTION  | KEY NO. | PART NO. | DESCRIPTION                                      |
|---------|----------|--|---------|----------|--|
| 1       | 633A9Z   | Transaxle Assembly Less Brake Drum & Shift Lever (Inc. Key No's. 13 thru 80) | 44      | 8119M    | Neutric Bearing                                  |
| 2       | 633A8Z   | Gear Shift Lever Assembly (Inc. Key No's. 3 thru 12 and 81)                  | 45      | 6275H    | Gasket - Gearcase                                |
| 3       | 7887R    | Control Knob   | 46      | 8117M    | Neutric Bearing                                  |
| 4       | 9629R    | Gear Shift Lever   | 47      | 7308H    | Thrust Bearing Race                              |
| 5       | 633A8S   | Gear Shift Ball Cover and Pin  | 48      | 6278H    | Snap Ring - Crescent Type                        |
| 6       | 5013R    | Gear Shift Cap   | 49      | 633A3Z   | High - Low Range Gears and Hub                   |
| 7       | 8139H1   | Shift Lever Guide Ball   | 50      | 7304H    | 4th Reduction Shaft and Gears                    |
| 8       | 4924H    | Spring   | 51      | 7305H    | Needle Bearing                                   |
| 9       | 1544P    | Washer 15/32 x 5/8/64 x 16 Ga.   | 52      | 7305H    | Thrust Bearing Race                              |
| 10      | 8105R    | Shift Mechanism Seal   | 53      | 633A31   | 2nd Reduction Shaft and Gears                    |
| 11      | 1525P    | Washer 5/16 x 15/16 x 11 Ga.   | 54      | 1320H    | Thrust Bearing Race                              |
| 12      | 2605P    | Center 1/8 x 3/4   | 55      | 4895H    | Needle Bearing                                   |
| 13      | 3039R    | Needle Bearing   | 56      | 633A3D   | Speed Change Gears and Shaft                     |
| 14      | 6266H    | Axis Thrust Washer   | 57      | 5001P    | E Ring   |
| 15      | 7810H    | Centerlock Gripco Nut 3/8 - 24 UNF   | 58      | 4894H    | Needle Bearing                                   |
| 16      | 8652H    | Final Drive Gear   | 60      | 6231H    | Low Speed Pinion                                 |
| 17      | 633A7Z   | Axle Shaft and Gear  | 61      | 9858M1   | Woodruff Key                                     |
| 18      | 6252H1   | Bushing - Differential Pinion  | 62      | 8218H    | Input Shaft                                      |
| 19      | 8657H    | Differential Pinion  | 63      | 633A11   | Intermediate and High Speed Pinions              |
| 20      | 6263H1   | Differential Carrier   | 64      | 6216H    | Shft. Fork - L.H.                                |
| 21      | 3056P    | 1" Thread Length   | 65      | 4219H    | Shft. Fork - L.H.                                |
| 22      | 633A89   | Gear Case and Bearings - L.H.  | 66      | 4828H    | Snap Ring - Crescent Type                        |
| 23      | 4000P    | Pipe Plug 1/2 - 14 N.P.T.  | 67      | 6809H    | Shft. Fork - R.H.                                |
| 24      | 4003P    | 90 Street Elbow 1/2 - 14 N.P.T.  | 68      | 7397H    | Reverse Idler Gear                               |
| 25      | 92281    | Sintered Iron Bearing  | 69      | 7885H    | Reverse Idler Shaft                              |
| 26      | 7303R    | Oil Seal   | 70      | 1167R    | Reverse Idler Thrust Washer                      |
| 27      | 9204H    | Lock Nut   | 71      | 541P     | Sculing Washer                                   |
| 28      | 6271H    | Oil Seal   | 72      | 504P     | *Hex Nut 5/16 - 18 UNF                           |
| 29      | 3001P    | Pipe Plug 1/4 - 18 N.P.T.  | 73      | 6270H    | Oil Seal   |
| 30      | 1007P    | Lockwasher 5/16 Extra Heavy  | 74      | 76J      | Gear Shift Gate                                  |
| 31      | 3087P    | Hex Bolt 5/16 - 18 x 1 - 1/2 Gr. 5   | 75      | 1003P    | *Lockwasher 5/16                                 |
| 32      | 6277H    | Down Pin   | 76      | 3158P    | *Hex Bolt 5/16 - 18 x 7/8                        |
| 33      | 6272H    | Service Shift Fork Detent  | 77      | 6274H    | Gasket - Shift Ball Cover                        |
| 34      | 7302A    | Silver Ball  | 78      | 633A3G   | Gear Case, Reverse Idler Shaft and Bearings R.H. |
| 35      | 6209H    | Shift Fork High - Low Range  | 79      | 5855H    | Pressure Relief Valve                            |
| 36      | 6217H    | High - Low Range Shift Fork Shaft  | 80      | 6206H    | Oil Seal   |
| 37      | 8118M    | Needle Bearing   | 81      | 7835M    | Woodruff Key                                     |
| 38      | 6206H    | Thrust Bearing Race  |         |          | *STANDARD HARDWARE-PURCHASE LOCALLY              |
| 39      | 6215H    | High - Low Range Shift Shaft   |         |          |  |
| 40      | 6221H    | 3rd Reduction Gear Shaft   |         |          |  |
| 41      | 8655H    | 4th Reduction Pinion   |         |          |  |
| 42      | 2229M    | Woodruff Key   |         |          |  |
| 43      | 633A3Z   | 3rd Reduction Shaft and Gear (Inc. Key No's. 40 - 41 & 42)                   |         |          |  |

### REPAIR PARTS

ROPER 18T TWIN-GARDEN TRACTOR-MODEL NO. T8328AR

#### FRONT AXLE



| KEY NO. | PART NO. | DESCRIPTION   | KEY NO. | PART NO. | DESCRIPTION                          |
|---------|----------|---|---------|----------|--------------------------------------|
| 1       | 5000P    | E Ring  | 26      | 6858M    | Grease Fitting 1/4" - 28 Taper Thrd. |
| 2       | 1328P    | Washer 1/218 x 1 - 1/4 x 14 Ga.                       | 27      | 785R     | Tire Valve                           |
| 3       | 1309H    | Bearing   | 28      | 3638R    | Front Wheel and Bearings             |
| 4       | 634B21   | Front Axle w/Bearings (Inc. Key No. 2)                | 29      | 1522P    | Washer 2/32 x 1 - 1/2 x 16 Ga.       |
| 5       | 3295P    | Hex Bolt 5/8" - 11 x 5 Grade 8                        | 30      | 8785H    | Roll Pin 5/32 x 1                    |
| 6       | 634A277  | Spline Complete - R.H.                                | 31      | 8785H    | Wear Washer                          |
| 7       | 9040H    | Flanged Bearing                                       | 32      | 4831H    | Electric Nut 3/8 - 16 UNF            |
| 8       | 7810H    | Gripco Locknut 3/8 - 24 UNF                           | 33      | 8783H    | Dust Cap Outer                       |
| 9       | 2515R    | Handed Washer   | 34      | 3025P    | Hex Bolt 5/16 - 18 x 1/2             |
| 10      | 7838R    | Tie Rod and Joints (Inc. Key No. 15, 16, 17, 18 & 19) | 35      | 3025P    | *Hex Bolt 3/8 - 24 x 1               |
| 11      | 8855M    | Grease Fitting  | 36      | 846P     | *Hex Jam Nut 3/8 - 24 UNF            |
| 12      | 1506P    | Washer 9/32 x 1/2 x 14 Ga.                            |         |          |                                      |
| 13      | 4761H    | Wadlock Nut 5/8 x 11 UNC                              |         |          |                                      |
| 14      | 634A278  | Spline Complete L.H.                                  |         |          |                                      |
| 15      | 8515R    | Tie Rod Joint (R.H. Thread)                           |         |          |                                      |
| 16      | 555P     | *Hex Jam Nut 1/2 - 20 (R.H. Thread)                   |         |          |                                      |
| 17      | 634A819  | Tie Rod and Nuts (Inc. Key No. 15 & 16)               |         |          |                                      |
| 18      | 555P     | *Hex Jam Nut 1/2 - 20 (L.H. Thread)                   |         |          |                                      |
| 19      | 8514R    | Tie Rod Joint (L.H. Thread)                           |         |          |                                      |
| 20      | 634A813  | Steering Gear Sector and Arm                          |         |          |                                      |
| 21      | 1552P    | Washer 49/64 x 1 - 1/4 x 16 Ga.                       |         |          |                                      |
| 22      | 6842M    | Grease Fitting  |         |          |                                      |
| 23      | 7827R    | Disc Lock and Joints                                  |         |          |                                      |
| 24      | 634A808  | Steering Bell Crank Weight                            |         |          |                                      |
| 25      | 3058R    | Front Tire 18 x 6.50 - 8 T.S.                         |         |          |                                      |

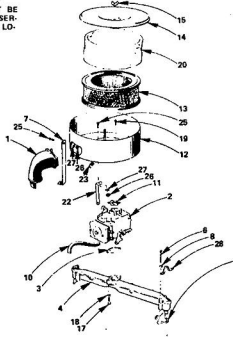
\*STANDARD HARDWARE-PURCHASE LOCALLY

### REPAIR PARTS

ROPER 18T TWIN-GARDEN TRACTOR-MODEL NO. T8328AR

#### FUEL SYSTEM GROUP

ALL ENGINE PARTS MUST BE PURCHASED THROUGH AND SERVICE PERFORMED BY YOUR LOCAL ONAN DEALER.



| KEY NO. | PART NO. | DESCRIPTION                                      | KEY NO. | PART NO. | DESCRIPTION  |
|---------|----------|--|---------|----------|--|
| 1       | 140-1169 | Tube, Air Intake (Air Cleaner to Blower Housing) | 15      | 885-0020 | Nut, Wing - Air Cleaner (1/4 - 20)                     |
| 2       | 142-0568 | Carburetor, Gasoline (with Integral Fuel Pump)   | 17      | 800-0021 | Screw, Hex Head Cap (1/4 - 20 x 1 - 3/8")              |
| 3       | 145-0438 | *Gasket, Carburetor Mounting                     | 18      | 850-0040 | Washer, Spring Lock (1/4")                             |
| 4       | 154-1460 | Manifold, Intake                                 | 19      | 815-0463 | Screw, Round Head with Nylon Seal (No. 10 - 32 x 5/8") |
| 5       | 154-1744 | *Gasket, Intake - Manifold                       | 20      | 140-1259 | Washer, Air Cleaner Element                            |
| 6       | 800-0033 | Screw, Hex Head Cap 5/16 - 18 x 2                | 22      | 140-1313 | Bracket, Air Cleaner Support                           |
| 7       | 140-1198 | Support, Air Cleaner                             | 23      | 518-0228 | Clip, Bracket, Cable                                   |
| 8       | 850-0045 | Washer, Spring Lock (5/16")                      | 26      | 800-0003 | Screw, Hex Head Cap (1/4 - 20 x 1/2")                  |
| 10      | 603-0140 | Hose, Fuel Pump Vacuum                           | 28      | 882-0001 | Nut, Hex Steel (1/4 - 20)                              |
| 11      | 140-1215 | *Gasket, Air Cleaner Mtg.                        | 27      | 883-0013 | Washer, Lock - ET (1/4")                               |
| 12      | 140-1213 | Housing, Air Cleaner                             | 28      | 403-1021 | Bracket, Lifting                                       |
| 13      | 140-1216 | Element, Air Cleaner                             |         |          |  |
| 14      | 140-1186 | Cover, Air Cleaner                               |         |          |  |

1. See separate group for components.

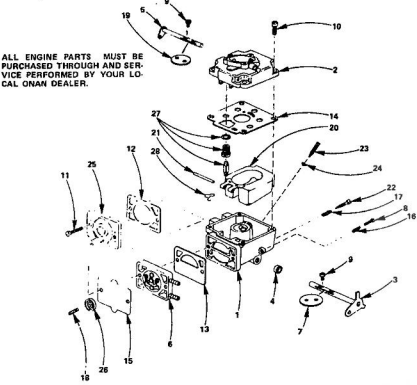
\* Included in Gasket Kit, page 29.

### REPAIR PARTS

ROPER 18T TWIN-GARDEN TRACTOR-MODEL NO. T8328AR

#### CARBURETOR PARTS GROUP

ONAN ENGINE-MODEL NO. B48M-GA018/3417A



ALL ENGINE PARTS MUST BE PURCHASED THROUGH AND SERVICE PERFORMED BY YOUR LOCAL ONAN DEALER.

| KEY NO. | PART NO. | DESCRIPTION                     | KEY NO. | PART NO. | DESCRIPTION                           |
|---------|----------|---------------------------------|---------|----------|---------------------------------------|
| 1       | 142-0568 | Carburetor Assembly, Complete   | 17      | 142-0282 | *Spring, Idle Needle                  |
| 11      | 142-0574 | Body Assembly, Lower            | 18      | 142-0546 | *Spring, Pump Diaphragm               |
| 2       | 142-0573 | Steve Assembly                  | 19      | 142-0546 | Float, Choke                          |
| 3       | 142-0534 | *Shaft Assembly, Throttle       | 20      | 142-0547 | Float and Lever Assembly              |
| 4       | 142-0525 | Packing, Shaft                  | 21      | 142-0548 | *Shaft, Float Lever                   |
| 5       | 142-0535 | Shaft Assembly, Choke           | 22      | 142-0016 | *Needle, Idle                         |
| 6       | 142-0537 | *Valve Plate Assembly           | 23      | 142-0549 | Needle Assembly, Power                |
| 7       | 142-0538 | Flt, Throttle                   | 24      | 142-0550 | *Gasket, "O" Ring                     |
| 8       | 142-0584 | Screw, Throttle Stop            | 25      | 142-0551 | Cover, Pump                           |
| 9       | 142-0536 | *Screw, Flt Mounting            | 26      | 142-0552 | *Flt, Pump Spring                     |
| 10      | 142-0539 | Screw, Bowl Cover Mounting      | 27      | 142-0553 | *Valve Assembly, Float                |
| 11      | 142-0540 | Screw, Pump Cover               | 28      | 142-0554 | Clp, Float Valve                      |
| 12      | 142-0541 | *Gasket, Base to Diaphragm      | 29      | 142-0571 | *Gasket Set (Includes Parts Marked T) |
| 13      | 142-0542 | *Gasket, Flare to Base          |         |          |                                       |
| 14      | 142-0572 | *Gasket, Steve Assembly to Base |         |          |                                       |
| 15      | 142-0555 | *Diaphragm, Pump                |         |          |                                       |
| 16      | 142-0544 | Spring, Throttle Stop Screw     |         |          |                                       |

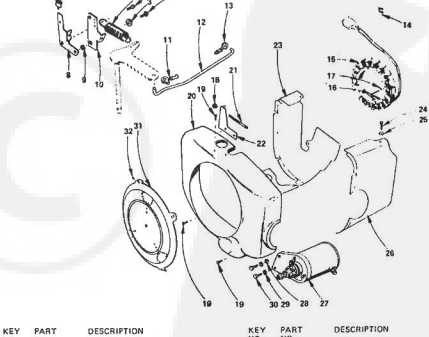
T. Included in 142-0571 Gasket Set  
\*. Included in 142-0570 Repair Kit

### REPAIR PARTS

ROPER 18T TWIN-GARDEN TRACTOR-MODEL NO. T8328AR

#### GOVERNOR, STARTER CHARGING ALTERNATOR AND BLOWER HOUSING GROUP

ALL ENGINE PARTS MUST BE PURCHASED THROUGH AND SERVICE PERFORMED BY YOUR LOCAL ONAN DEALER.



| KEY NO. | PART NO. | DESCRIPTION                                      | KEY NO. | PART NO. | DESCRIPTION  |
|---------|----------|--|---------|----------|--|
| 1       | 818-0178 | Clp, Throttle Cable                              | 19      | 815-0201 | Screw, Hex Head Cap (1/4 - 20 x 7/16")                         |
| 3       | 525-0214 | Flat Washer (1 7/8 I.D. x 1/2 O.D. x 1/16 Thick) | 20      | 134-3401 | Housing, Blower  |
| 5       | 815-0436 | Screw, Hex Cap - Flange Locking (1/4 - 20 x 1/2) | 21      | 150-1418 | Shield, Governor   |
| 6       | 150-1214 | Spring, Governor                                 | 22      | 150-1433 | Bracket, Governor Control                                      |
| 8       | 150-1343 | Bracket, Governor Mounting                       | 23      | 134-2885 | Housing, Cylinder Air - Left                                   |
| 9       | 150-1269 | Bushing Governor Control Arm, Governor Control   | 24      | 815-0290 | Screw, Hex Head Cap (1/4 - 20 x 5/8")                          |
| 10      | 150-1578 | Clp, Governor Control Rod to Governor Arm        | 25      | 526-0021 | Washer, Flat - Steel (1 7/8" I.D. x 3/4" O.D. x 1/16" Thick)   |
| 11      | 870-0278 | Rod, Governor Control Rod to Governor Arm        | 26      | 134-3400 | Housing, Cylinder Air - Right                                  |
| 12      | 150-1350 | Rod, Governor Control                            | 27      | 191-0933 | Starter, 12 Volt (For Components see separate group)           |
| 13      | 515-0004 | Clp, Governor Control Rod to Carburetor          | 28      | 526-0113 | Washer, Flat - Steel (1 7/8" I.D. x 1 1/2" O.D. x 3/32" Thick) |
| 14      | 167-0188 | Clp, Alternator Lead Support                     | 29      | 850-0045 | Washer, Spring Lock (5/16")                                    |
| 15      | 181-1102 | Stator, Charging Alternator                      | 30      | 800-0078 | Screw, Hex Head Cap (5/16 - 18 x 1")                           |
| 16      | 813-0108 | Screw Round Head - Steel No. 10 - 32 x 1 - 1/2"  | 31      | 134-3213 | Guard, Blower Housing  |
| 18      | 870-0131 | Nut, Hex No. 10 - 32                             | 29      | 815-0278 | Screw, Int. Hex Head w/ET (No. 14 x 1/2")                      |

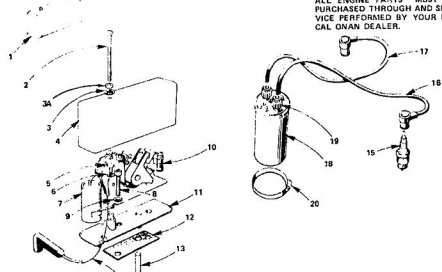


Click Here to upgrade to Unlimited Pages and Expanded Features

### REPAIR PARTS

ROPER 18T TWIN-GARDEN TRACTOR-MODEL NO. T8328AR  
ONAN ENGINE-MODEL NO. B48M-GAO18/3417A

#### IGNITION GROUP



ALL ENGINE PARTS MUST BE PURCHASED THROUGH AND SERVICE PERFORMED BY YOUR LOCAL ONAN DEALER.

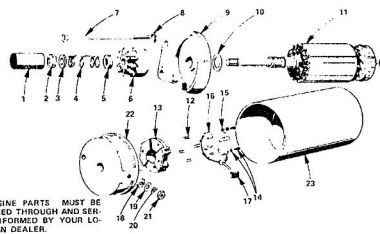
| KEY NO. | PART NO. | DESCRIPTION  |
|---------|----------|--|
| 1       | 160-1210 | Box Assembly, Breaker (Includes Parts Marked *)          |
| 2       | 812-0108 | 1" Screw, Machine - Round Head (No. 10 - 16 x 1 - 3/2")  |
| 3       | 526-0008 | 1" Washer, Flat (1.304" I.D. x 7/16" O.D. x 1/20" Thick) |
| 3A      | 809-0055 | 1" Retainer, "O" Ring                                    |
| 4       | 160-1232 | "Cover, Breaker Box                                      |
| 5       | 815-0358 | "Screw, Tuning - Hex Head (No. 8 - 32 x 5/16")           |
| 6       | 850-0025 | "Washer, Lock - Spring (No. 8)                           |
| 7       | 312-0186 | "Condenser, Ignition                                     |
| 8       | 802-0034 | "Screw, Cap - Socket Head (1/4 - 20 x 3/4")              |
| 9       | 850-0038 | "Washer, Lock - Spring - High Collar (1/4")              |
| 10      | 160-1183 | "Point Assembly, Breaker                                 |
| 11      | 160-1219 | "Base, Breaker Box                                       |
| 12      | 160-1150 | "Gasket, Breaker Box                                     |
| 13      | 165-1151 | "Plunger, Breaker Point Assembly                         |
| 14      | 336-2132 | Lead, Breaker Points to Coil                             |
| 15      | 101-0237 | Plug, Spark  |
| 16      | 101-1696 | Cable, Spark Plug (1 1/2")                               |
| 17      | 101-1586 | Cable, Spark Plug (1 1/8")                               |
| 18      | 166-0535 | Coil, Ignition   |
| 19      | 165-0594 | Nut, Coil Cable (Part of 168-0535 Coil)                  |
| 20      | 800-0311 | Clamp, Coil Mounting                                     |

\*PARTS INCLUDED IN 160-1210 BREAKER BOX ASSEMBLY  
\*INCLUDED IN GASKET KIT 168-0130.  
\*INCLUDED IN 160-1232 COVER

### REPAIR PARTS

ROPER 18T TWIN-GARDEN TRACTOR-MODEL NO. T8328AR  
ONAN ENGINE-MODEL NO. B48M-GAO18/3417A

#### STARTER PARTS GROUP



ALL ENGINE PARTS MUST BE PURCHASED THROUGH AND SERVICE PERFORMED BY YOUR LOCAL ONAN DEALER.

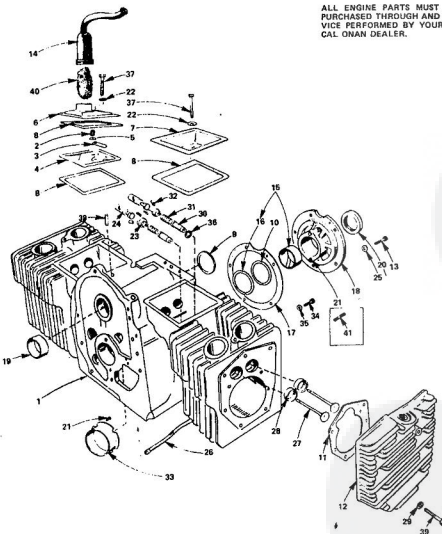
| KEY NO. | PART NO. | DESCRIPTION  |
|---------|----------|--|
| 1       | 191-0933 | Starter, 12 Volt (Complete)                                  |
| 2       | 191-1834 | Cover, Dust  |
| 3       | 191-1045 | Nut, Stop  |
| 4       | 191-1046 | Washer, Stop Nut   |
| 5       | 191-1035 | Screw, Anti-dirt   |
| 6       | 191-1047 | Switch, Dust Cover   |
| 7       | 191-1036 | Drive Assembly   |
| 8       | 191-1048 | Screw, Hex Cap   |
| 9       | 850-0040 | Washer, Lock   |
| 10      | 191-1037 | Cap, Assembly, Drive End                                     |
| 11      | 191-1038 | Washer, Armature Thrust                                      |
| 12      | 191-1039 | Armature   |
| 13      | ▲        | 1" Spring, Brush   |
| 14      | ▲        | 1" Brush Holder  |
| 15      | ▲        | 1" Screw and Lockwasher                                      |
| 16      | ▲        | 1" Brush, Ground   |
| 17      | ▲        | 1" Stud and Brush Assembly, Input                            |
| 18      | ▲        | 1" Bushing, Insulation - Input Stud                          |
| 19      | ▲        | 1" Washer, Insulation - Input Stud                           |
| 20      | ▲        | 1" Washer, Flat - Input Stud                                 |
| 21      | ▲        | 1" Nut, Securing - Input Stud                                |
| 22      | 191-1040 | Cap, Assembly, Commutator (Includes Parts Marked *)          |
| 23      | 191-1041 | Repair Kit, Brush, Spring and Stud (Includes Parts Marked *) |

▲ - Included in the 191-1040 Cap Assembly  
\* - Included in the 191-1041 Brush, Spring and Stud Kit.  
▲ - Not Sold Separately

### REPAIR PARTS

ROPER 18T TWIN-GARDEN TRACTOR-MODEL NO. T8328AR  
ONAN ENGINE-MODEL NO. B48M-GAO18/3417A

#### CYLINDER BLOCK GROUP



ALL ENGINE PARTS MUST BE PURCHASED THROUGH AND SERVICE PERFORMED BY YOUR LOCAL ONAN DEALER.

### REPAIR PARTS

ROPER 18T TWIN-GARDEN TRACTOR-MODEL NO. T8328AR  
ONAN ENGINE-MODEL NO. B48M-GAO18/3417A

#### CYLINDER BLOCK GROUP

| KEY NO. | PART NO.    | DESCRIPTION  | KEY NO.     | PART NO.       | DESCRIPTION   |
|---------|-------------|--|-------------|----------------|---|
| 1       | 110-2621    | Block Assembly, Cylinder (Includes Parts Marked I)             | 28          |                | INSERT, VALVE SEAT EXHAUST                                      |
| 2       | 123-1174    | Spring, Breather Valve   | 110-1824    | IS Standard    |   |
| 3       | 123-1175    | Valve, Breather  | 110-1824-02 | .002" Oversize |   |
| 4       | 123-1173    | Ball, Breather   | 110-1824-05 | .005" Oversize |   |
| 5       | 526-0018    | Washer, Flat - Steel (17/64" I.D. x 5/8" O.D. x 1/16" Thick)   | 110-1824-10 | .010" Oversize |   |
| 6       | 110-2274    | Cover, Valve Compartment (L.H.)                                | 110-1824-25 | .025" Oversize |   |
| 7       | 110-1879    | Cover, Valve Compartment (R.H.)                                | 110-0137    | IS Standard    | INTAKE  |
| 8       | 110-1921    | gasket, Valve Cover  | 110-0197-02 | .002" Oversize |   |
| 9       | 517-0048    | Plug, Extension - Camshaft                                     | 110-0197-05 | .005" Oversize |   |
| 10      | 104-0776    | Thin, Rear Bearing Plate (.005")                               | 110-0197-10 | .010" Oversize |   |
| 11      | 110-2287    | gasket, Cylinder Head  | 110-0197-25 | .025" Oversize |   |
| 12      |             | HEAD, CYLINDER   | 29          | 526-0122       | Washer, Flat - Steel (17/32" I.D. x 23/32" O.D. x 1/16" Gauge)  |
|         | 110-2564    | Right Side (No. 2 Cylinder)                                    | 30          | 110-1867       | Guide, Valve  |
|         | 800-2563    | Left Side (No. 1 Cylinder)                                     | 31          | 110-0539       | Spring, Valve   |
| 13      | 800-0051    | Screw, Hex Head Cap - Steel (3/8 - 16 x 1 1/4")                | 32          | 110-0639       | Lock, Valve and Spring Retainer                                 |
| 14      | 123-1277    | Tube, Breather   | 33          |                | BEARING, CRANKSHAFT - FRONT (FLANGED)                           |
| 15      |             | BEARING, CRANKSHAFT - REAR (INCLUDES THRUST WASHER)            | 101-0432    | IS Standard    |   |
|         | 101-0450    | IS Standard  | 101-0432-02 | .002" Oversize |   |
|         | 101-0450-02 | .002" Oversize   | 101-0432-10 | .010" Oversize |   |
|         | 101-0450-10 | .010" Oversize   | 101-0432-20 | .020" Oversize |   |
|         | 101-0450-20 | .020" Oversize   | 101-0432-30 | .030" Oversize |   |
|         | 101-0450-30 | .030" Oversize   | 34          | 800-0048       | Screw, Hex Head Cap (3/8 - 16 x 3/4") - Cylinder Block Wet Hole |
| 16      | 104-0526    | 1" Washer, Crankshaft Bearing Thrust                           | 35          | 526-0066       | Washer, Flat - Copper (25/64" I.D. x 9/16" O.D. x 1/16" O.D.)   |
| 17      | 101-0415    | 1" Gasket, Bearing Plate                                       | 36          | 110-0068       | 1" Gasket, Valve Guide (Intake)                                 |
| 18      | 101-0426    | Plate, Bearing (Excludes Bearings)                             | 37          | 800-0010       | Screw, Hex Head Cap (1/4 - 20 x 1 - 3/4")                       |
| 19      | 101-0465    | 1" Bearing, Camshaft (Position)                                | 38          | 149-1299       | Tube, Fuel Pump Vacuum  |
| 20      | 609-0011    | 1" Seal, Bearing Plate   | 39          | 800-0541       | 5/16 - 18 x 1 5/8" SCREW, HEX HEAD CAP                          |
| 21      | 516-0012    | 1" Plug, Main Bearing Stop                                     | 40          | 123-0866       | Filter, Breather Tube   |
| 22      | 526-0053    | Washer, Flat - Copper (17/64" I.D. x 7/16" O.D. x 1/32" Thick) | 41          | 520-0820       | Stud, Cylinder Block Wet Hole (Lower)                           |
| 23      | 110-0893    | Standard   |             |                |   |
| 24      | 115-0006    | 0.005" Oversize  |             |                |   |
| 25      | 800-0050    | 1" Washer, Lock (3/8")   |             |                |   |
| 26      | 120-0135    | 1" Tube, Crankcase Oil   |             |                |   |
| 27      |             | VALVE  |             |                |   |
|         | 110-1808    | Intake   |             |                |   |
|         | 110-1809    | Exhaust  |             |                |   |

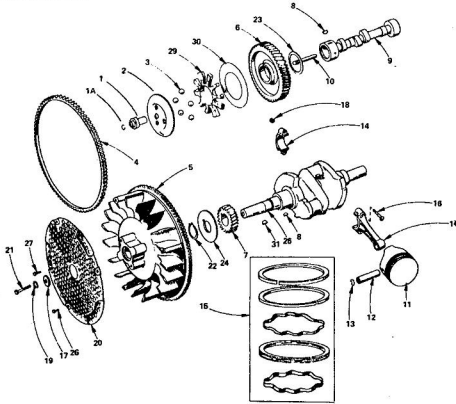
I - Included in 110-2287 Cylinder Block Assembly  
\* - Replacement From Flange Bearing replaces unflanged bearing and thrust washer  
x - Included in Gasket Kit 168-0130

### REPAIR PARTS

ROPER 18T TWIN-GARDEN TRACTOR-MODEL NO. T832BAR  
ONAN ENGINE-MODEL NO. B48M-GAO18/3417A

CRANKSHAFT, FLYWHEEL, CAMSHAFT  
AND PISTON GROUP

ALL ENGINE PARTS MUST BE  
PURCHASED THROUGH AND SER-  
VICE PERFORMED BY YOUR LO-  
CAL ONAN DEALER.



### REPAIR PARTS

ROPER 18T TWIN-GARDEN TRACTOR-MODEL NO. T832BAR  
ONAN ENGINE-MODEL NO. B48M-GAO18/3417A

CRANKSHAFT, FLYWHEEL, CAMSHAFT  
AND PISTON GROUP

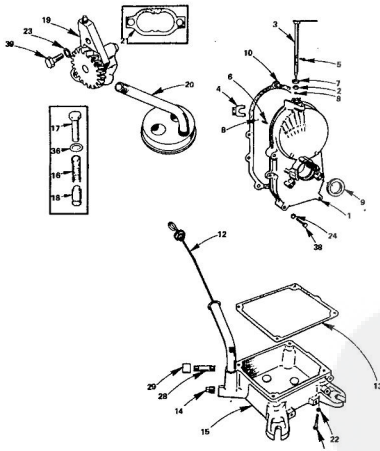
| KEY NO. | PART NO.    | DESCRIPTION   |
|---------|-------------|---|
| 1       | 150 1510    | Hub   |
| 1A      | 150 0028    | Ring, Camshaft Center Pin                                     |
| 2       | 150 1520    | Cup, Governor   |
| 3       | 510 0915    | Ball, Fly - Governor  |
| 4       | 104 0779    | Gear, Ring - Flywheel   |
| 5       | 134 2096    | Flywheel (Includes Ring Gear and Magnet Ring)                 |
| 6       | 106 0332    | Gear, Camshaft (Includes Flywheel Spacer and Plate)           |
| 7       | 104 0023    | Gear, Crankshaft  |
| 8       | 515 0001    | Key (1/2" Diameter x 1/8")                                    |
| 9       | 105 0402    | Camshaft (Includes Center Pin)                                |
| 10      | 150 0075    | Pin, Camshaft Center  |
| 11      |             | PISTON AND PIN (INCLUDES RE-TAINING RINGS)                    |
|         | 112 0151    | Standard  |
|         | 112 0151-05 | 005" Overize  |
|         | 112 0151-10 | 010" Overize  |
|         | 112 0151-20 | 020" Overize  |
|         | 112 0151-30 | 030" Overize  |
|         | 112 0151-40 | 040" Overize  |
| 12      | 112 0122    | Pin, Piston   |
| 13      | 518 0311    | Ring, Piston Pin Retaining                                    |
| 14      |             | ROD ASSEMBLY, CONNECTING                                      |
|         | 114 0267    | Standard  |
|         | 114 0267-10 | 010" Overize  |
|         | 114 0267-20 | 020" Overize  |
|         | 114 0267-30 | 030" Overize  |
| 15      |             | RING SET, PISTON  |
|         | 113 0189    | Standard  |
|         | 113 0189-05 | 005" Overize  |
|         | 113 0189-10 | 010" Overize  |
|         | 113 0189-20 | 020" Overize  |
|         | 113 0189-30 | 030" Overize  |
|         | 113 0189-40 | 040" Overize  |
| 16      | 114 0240    | Bolt, Special - Connecting Rod                                |
| 17      | 525 0017    | Washer, Flat Steel (19/32" I.D. x 1 - 1/4" O.D. x 1/4" Thick) |
| 18      | 870 0302    | Nut, Locking (5/16 - 24)                                      |
| 19      | 850 0055    | Washer, Spring Lock (17/16")                                  |
| 20      | 134 3008    | Guard, Flywheel   |
| 21      | 104 0170    | Screw, Hex Head Cap (17/16 - 14 x 4")                         |
| 22      | 518 0014    | Ring, Retaining - Crankshaft Gear Washer                      |
| 23      | 105 0004    | Washer, Camshaft Gear Thrust                                  |
| 24      | 104 0042    | Washer, Crankshaft Gear Retainer                              |
| 25      | 104 0986    | Crankshaft  |
| 26      | 815 0002    | Machine Screw, Truss Head                                     |
| 27      | 821 0014    | Screw, Hex Head Cap, Locking (5/16 - 18 x 1/2")               |
| 28      | 150 1257    | Spacer, Governor Flywheel                                     |
| 29      | 150 0077    | Plate, Governor Flywheel                                      |
| 31      | 515 0027    | Key, Kit  |

### REPAIR PARTS

ROPER 18T TWIN-GARDEN TRACTOR-MODEL NO. T832BAR  
ONAN ENGINE-MODEL NO. B48M-GAO18/3417A

GEAR COVER, OIL BASE AND  
OIL PUMP GROUP

ALL ENGINE PARTS MUST BE  
PURCHASED THROUGH AND SER-  
VICE PERFORMED BY YOUR LO-  
CAL ONAN DEALER.



### REPAIR PARTS

ROPER 18T TWIN-GARDEN TRACTOR-MODEL NO. T832BAR  
ONAN ENGINE-MODEL NO. B48M-GAO18/3417A

GEAR COVER, OIL BASE  
AND OIL PUMP GROUP

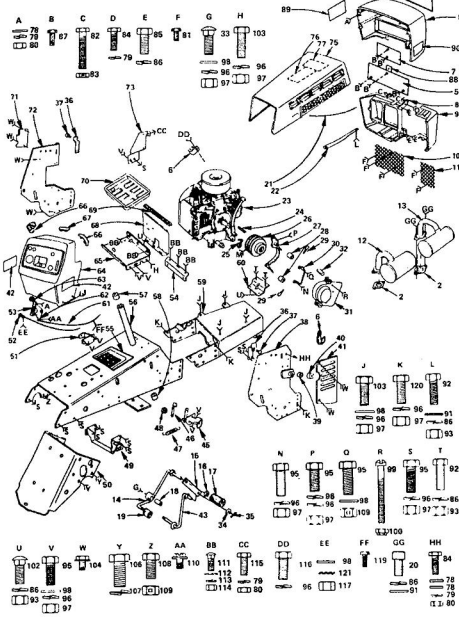
| KEY NO. | PART NO. | DESCRIPTION  |
|---------|----------|--|
| 1       | 103 0493 | Cover, Assembly, Gear (Includes Parts Max Kit*)                                |
| 2       | 510 0105 | Bearing, Governor Shaft  |
| 3       | 150 1470 | Shaft and Arm Assembly, Governor   |
| 4       | 150 1187 | Yoke, Governor Shaft   |
| 5       | 815 0045 | Screw, Yoke Retaining  |
| 6       | 516 0130 | Pin, Governor Cup Stop   |
| 7       | 509 0009 | Spool, Oil - Governor Shaft  |
| 8       | 510 0014 | Ball, Bearing - Governor Shaft   |
| 9       | 309 0040 | * Seal, Cover Cover  |
| 10      | 103 0405 | * Gasket, Gear Cover   |
| 12      | 123 1292 | Cap and Indicator, Oil Fill  |
| 13      | 103 0033 | Gasket, Oil Base Mounting  |
| 14      | 505 0056 | Plug, Oil Drain  |
| 15      |          | BASE, OIL  |
|         | 102 0741 | For Engines With Extended Oil Drain  |
| 16      | 120 0140 | Spring, Oil By-Pass Valve  |
| 17      | 801 0050 | Screw, Hex Head Cap (3/8 - 24 x 1") - Oil By-Pass Valve                        |
| 18      | 120 0398 | Valve, Oil By-Pass   |
| 19      | 120 0481 | Pump, Oil - Complete (NOTE: Internal parts not sold separately)                |
| 20      | 120 0713 | Intake, Oil Pump (Includes: Cup, Screen and Pipe)                              |
| 21      | 120 0161 | * Gasket, Oil Pump   |
| 22      | 850 0050 | Washer, Spring Lock (3/8")   |
| 23      | 850 0049 | Washer, Spring Lock (1/4")   |
| 24      | 526 0056 | Washer, Flat - Copper (21/64" I.D. x 9/16" O.D. x 1/16" Thick)                 |
| 28      | 505 0178 | Nipple, Pipe - Oil Drain (1/2 x 3/4")  |
| 29      | 505 0158 | Cap, Pipe (1/2")   |
| 36      | 526 0056 | Washer, Flat - Copper (25/64" I.D. x 9/16" O.D. x 1/16" Thick) - By-Pass Valve |
| 37      | 800 0056 | Screw, Hex Head Cap (3/8 - 16 x 2 - 1/2")                                      |
| 38      | 800 0032 | Screw, Hex Head Cap (5/16 - 18 x 1 - 3/4") - Gear Cover Mounting               |
| 38      | 800 0545 | Screw, Hex Head Cap (5/16 - 18 x 2 - 3/4") - Gear Cover Mounting               |
| 39      | 800 0007 | Screw, Hex Head Cap (1/4 - 20 x 1")  |

\* Included in Gear Cover Assembly.  
\* Included in Gasket Kit, page 29.

### REPAIR PARTS

ROPER 18T TWIN-GARDEN TRACTOR-MODEL NO. T3282BR

MAIN FRAME, DASH AND GRILL



### REPAIR PARTS

ROPER 18T TWIN-GARDEN TRACTOR-MODEL NO. T3282BR

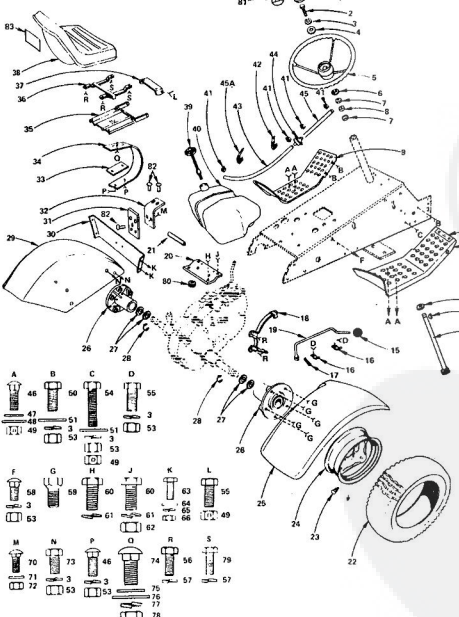
MAIN FRAME, DASH AND GRILL

| KEY NO. | PART NO.   | DESCRIPTION                                 | KEY NO. | PART NO. | DESCRIPTION   |
|---------|------------|---|---------|----------|---|
| 1       | 8112       | Grill - Upper                               | 88      | 8788H    | Mounting Clip   |
| 2       | 878J       | Gasket - Exhaust Manifold                   | 89      | 1580U    | Decal - Grill - L.H.  |
| 3       | 845J       | Decal - Grill                               | 90      | 1691J    | Decal - Grill - R.H.  |
| 4       | 2911       | Grill - Panel - Lower                       | 91      | 1531P    | "Hex Bolt 5/16" - 18 x 1  |
| 5       | 2751R      | Wash-Cap                                    | 92      | 3011P    | "Hex Bolt 5/16" - 18 x 1  |
| 6       | 2901       | Grill Panel - Upper                         | 93      | 504P     | "Hex Nut 3/8" - 18 UNC  |
| 7       | 2901       | Grill Panel - Lower                         | 94      | 4540P    | Hex Forged Socket Hd. Screw   |
| 8       | 7931R      | Grill - Lower                               | 95      | 3032P    | Cl. B. 1/4" - 18 x 1/2 Nylok  |
| 9       | 7931R      | Grill - Side                                | 96      | 1004P    | "Lockwasher 3/8"  |
| 10      | 2874R      | Grill Screen - L.H.                         | 97      | 5011P    | "Hex Nut 3/8" - 18 UNC  |
| 11      | 2873R      | Grill Screen - R.H.                         | 98      | 1527P    | Washer 13/32 x 13/16 x 11 Ga.   |
| 12      | 1051       | Muffler - Rear                              | 99      | 3145P    | "Hex Nut 3/8" - 18 x 3/4  |
| 13      | 1051       | Muffler - Front                             | 100     | 247H     | Head Light  |
| 14      | 834A001    | Pedal Weldment                              | 101     | 102      | "Carriage Bolt 5/16" - 18 x 3/4   |
| 15      | 890        | Link  | 102     | 3025P    | "Hex Bolt 3/8" - 10 x 1/4   |
| 16      | 921        | Push-On Nut                                 | 103     | 5551P    | Hex Washer Hd. Nut, Out. Sizing Screw                                   |
| 17      | 932        | Rubber Pad                                  | 104     | 61P      | "Hex Bolt 3/8" - 18 x 1/2 Type 1  |
| 18      | 911        | Pivot Spacer                                | 105     | 3035P    | 3/8" - 18 x 1 Gr. 5   |
| 19      | 2871       | Foot Pedal                                  | 106     | 1006P    | "Lockwasher 7/16"   |
| 20      | 2366P      | Sec. Hd. Cap Screw 5/16" - 18 x 3/4         | 107     | 3021P    | "Hex Bolt 3/8" - 18 x 3/4   |
| 21      | 8058R      | Grill Cable                                 | 108     | 1009H    | Locknut 3/8" - 18 UNC   |
| 22      | 8752       | Grill Bumper                                | 109     | 8394H    | Locknut 3/8" - 18 UNC   |
| 23      | 9485H      | Engine, Onan 18 H.P.                        | 110     | 6065P    | "Hex S.L. Hd. Machine Screw w/Dama Int. Tooth Lockwasher 10 - 22 x 1/4" |
| 24      | CA018/2500 | Sw. Key 1/4 x 2                             | 111     | 839      | Sec. Neck Carriage Bolt 10 - 24 x 1/4                                   |
| 25      | 8245R      | Belt Retainer Finger                        | 112     | 1528P    | Washer 7/32 x 7/16 x 15 Ga.   |
| 26      | 834A104    | Engine Pulley w/Gat Screws                  | 113     | 1006P    | "Lockwasher No. 10"   |
| 27      | 834A222    | Belt Guide Weldment                         | 114     | 826P     | "Hex Nut 1/4" - 20 x 1/2  |
| 28      | 8704H1     | Spacer                                      | 115     | 3114P    | "Hex Bolt 1/4" - 20 x 1/2   |
| 29      | 4839A      | Retainer Spring                             | 116     | 3222P    | "Hex Nut 3/8" - 18 x 7/8  |
| 30      | 8011H      | Belt Guard Weldment                         | 117     | 616P     | "Hex Nut 3/8" - 24 UNF  |
| 31      | 824A650    | Spit-Spacer                                 | 118     | 5662P    | "Socket Pan Hd. Set Tap, Screw No. 8 x 3/4 Type A9                      |
| 32      | 8298H      | Sec. Neck Carriage Bolt 3/8" - 16 x 2 - 1/4 | 119     | 3025P    | "Hex Bolt 3/8" - 16 x 1 - 1/4 Gr. 5                                     |
| 33      | 504P       | Washer 17/32 x 1 x 16 Ga.                   | 120     | 3025P    | "Hex Bolt 3/8" - 16 x 1 - 1/4 Gr. 5                                     |
| 34      | 1545P      | "Cotter Pin 1/8 x 1                         |         |          |   |
| 35      | 2566P      | Head Light                                  |         |          |   |
| 36      | 834A002    | Head Light                                  |         |          |   |
| 37      | 8457R      | Support Bumper                              |         |          |   |
| 38      | 834A003    | Battery Support Bracket (Inc. Key 39)       |         |          |   |
| 39      | 7754R      | Bearing                                     |         |          |   |
| 40      | 9006R      | Retainer Spring                             |         |          |   |
| 41      | 7729R      | Belt Retainer                               |         |          |   |
| 42      | 2871       | Model Decal - Side of Dash                  |         |          |   |
| 43      | 834A002    | Lower Weldment - L.H., Front                |         |          |   |
| 44      | 834A785    | Hanger Weldment R.H. - Front                |         |          |   |
| 45      | 7944R      | Hex Tightener Arm                           |         |          |   |
| 46      | 7948R      | Return Spring                               |         |          |   |
| 47      | 8101H      | Locknut 3/8" - 24 UNF                       |         |          |   |
| 48      | 834A014    | Hanger Weldment - Rear                      |         |          |   |
| 49      | 834A014    | Hanger Weldment - R.H., Front               |         |          |   |
| 50      | 834A787    | Drawer and Weldment                         |         |          |   |
| 51      | 834A026    | Choke Control                               |         |          |   |
| 52      | 7931R      | Choke Control                               |         |          |   |
| 53      | 1518J      | Throttle Control (Inc. Key 81, 82 & 83)     |         |          |   |
| 54      | 873        | Adaptor Bar                                 |         |          |   |
| 55      | 1558J      | Decal (Bolt Pattern)                        |         |          |   |
| 56      | 834A888    | Chassis Ass'y. (Inc. Key 87 & 88)           |         |          |   |
| 57      | 4688R      | Bearing                                     |         |          |   |
| 58      | 4768P      | Bearing                                     |         |          |   |
| 59      | 834A006    | Engine Mount Ass'y.                         |         |          |   |
| 60      | 881        | Throttle Wire and Casing                    |         |          |   |
| 61      | 9003R      | Clamp                                       |         |          |   |
| 62      | 834A093    | Throttle Control Lever                      |         |          |   |
| 63      | 1550J      | Dashboard (Inc. Key No's. 66 and 67)        |         |          |   |
| 64      | 834A093    | Battery Support                             |         |          |   |
| 65      | 1061       | Clap - Dashboard                            |         |          |   |
| 66      | 8511R      | Clip - Dashboard, Center                    |         |          |   |

### REPAIR PARTS

ROPER 18T TWIN-GARDEN TRACTOR-MODEL NO. T3282BR

STEERING AND FINAL DRIVE



### REPAIR PARTS

ROPER 18T TWIN-GARDEN TRACTOR-MODEL NO. T3282BR

STEERING AND FINAL DRIVE

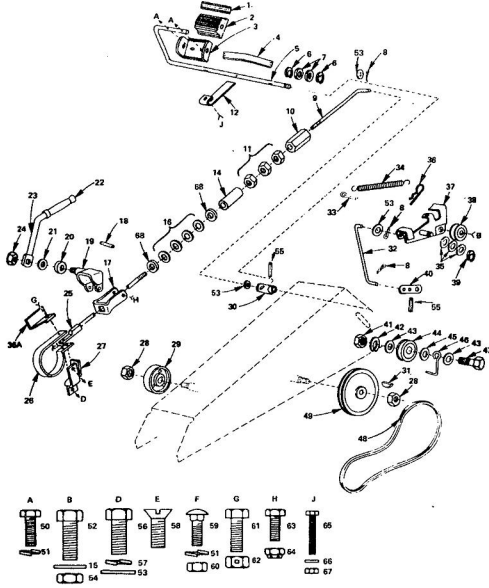
| KEY NO. | PART NO. | DESCRIPTION                   | KEY NO. | PART NO. | DESCRIPTION   |
|---------|----------|-------------------------------|---------|----------|---|
| 1       | 9219R    | Steering Wheel Insert         | 46      | 61P      | Sw. Nt. Sht. Car. Bolt 3/8" 16 x 1 Gr. 5                |
| 2       | 3023P    | "Hex Bolt 3/8" - 16 x 1       | 47      | 1533P    | Washer 13/32 x 13/16 x 16 Ga.                           |
| 3       | 1004P    | "Lockwasher 3/8"              | 48      | 1519P    | Washer 15/32 x 1 x 12 Ga.                               |
| 4       | 1550P    | Washer 7/16 x 1 x 10 Ga.      | 49      | 5394H    | Locknut 3/8 UNC   |
| 5       | 3044R    | Steering Wheel                | 50      | 3025P    | "Hex Bolt 3/8" - 16 x 1 - 1/4                           |
| 6       | 5003P    | S-Ring                        | 51      | 1527P    | Washer 13/32 x 13/16 x 11 Ga.                           |
| 7       | 9007H    | Cap                           | 52      | 5011P    | "Hex Nut 3/8" - 16 UNC                                  |
| 8       | 5049H    | Rubber Bushing                | 53      | 3027P    | "Hex Bolt 3/8" - 16 x 1/2                               |
| 9       | 3903R    | Foot Rest - L.H.              | 54      | 3027P    | "Hex Bolt 3/8" - 16 x 1/2                               |
| 10      | 8000R    | Decal (Attach. Clutch)        | 55      | 3022P    | "Hex Bolt 3/8" - 16 x 7/8                               |
| 11      | 9009R    | Foot Rest - R.H.              | 56      | 3101P    | "Hex Bolt 5/16" - 18 x 3/4                              |
| 12      | 1553P    | Washer 5/8 x 1 - 1/4 x 18 Ga. | 57      | 1003P    | "Lockwasher 5/16"                                       |
| 13      | 8858H1   | Wardell Key 2 1/8 x 5/8       | 58      | 19P      | "Sec. Neck Carriage Bolt 3/8" - 16 x 3/4                |
| 14      | 834A028  | Steering Shaft and Pinion     | 59      | 1304H    | Hub Bolt  |
| 15      | 8364H    | Control Knob                  | 60      | 3004P    | "Hex Bolt 7/16" - 14 x 1                                |
| 16      | 6442H    | Shift Rod Bracket             | 61      | 1001P    | "Lockwasher 7/16"                                       |
| 17      | 2511P    | Center Pin 3/16 x 1           | 62      | 5003P    | "Hex Nut 7/16" - 14 UNC                                 |
| 18      | 834A22A  | Range Bolt Rod                | 63      | 3003P    | "Hex Nut 1/4" - 20 x 3/4                                |
| 19      | 8471H    | Transmission Bracket          | 64      | 1528P    | "Washer 9/32 x 5/8 x 16 Ga.                             |
| 20      | 9554R    | Transmission Bracket          | 65      | 1002P    | "Lockwasher 1/4"  |
| 21      | 8074R    | Seat Stop                     | 66      | 803P     | "Hex Nut 1/4" - 20 UNC                                  |
| 22      | 4607R    | Rear Tire 23 x 10.50 - 12     | 70      | 6P       | "Short Shoulder Sw. Neck Carriage Bolt 5/16" - 18 x 3/4 |
| 23      | 785R     | Tire Valve                    | 71      | 1533P    | Washer 11/32 x 11/16 x 16 Ga.                           |
| 24      | 3638R    | Rear Wheel 12 x 7 JA          | 72      | 1685H    | Lock Nut 5/16" 18 UNC                                   |
| 25      | 8428R    | Fender - R.H.                 | 73      | 3021P    | "Hex Bolt 3/8" - 16 x 3/4                               |
| 26      | 834A022  | Wheel Hub - Rear              | 74      | 52P      | Carriage Bolt 1/2" - 13 x 1 - 1/4 Gr. 5                 |
| 27      | 7523R    | Axle Thrust Washer            | 75      | 1578P    | Washer 3/4 x 1 - 1/8 x 11 Ga.                           |
| 28      | 5848R    | Retaining Ring                | 76      | 1560P    | Spacer 1/32 x 1 - 1/2 x 11 Ga.                          |
| 29      | 8427R    | Fender - L.H.                 | 77      | 1009P    | "Lockwasher 1/2"  |
| 30      | 2066R    | Bracket - Tail Light          | 78      | 5003P    | "Hex Nut 1/2" - 13 UNC                                  |
| 31      | 1751     | Seat Stop Bracket             | 79      | 3165P    | "Hex Bolt 5/16" - 18 x 7/8                              |
| 32      | 1261     | Fuel Tank Retainer            | 80      | 9547H    | Hubnut Grommet  |
| 33      | 8141H    | Seat Spring Reinforcement     | 81      | 2351     | Steering Wheel Decal                                    |
| 34      | 7894H    | Seat Spring                   | 82      | 124J     | Rubber Bumper   |
| 35      | 834A716  | Seat Base Weldment            | 83      | 2451     | Decal   |
| 36      | 834A529  | Seat Bracket Weldment         | 84      | 1823J    | Warranty Fact Tag                                       |
| 37      | 1891R    | Bracket - Seat Pivot          | 85      | 1814J    | Owner's Manual  |
| 38      | 9744R    | Seat                          |         |          |   |
| 39      | 2223J    | Fuel Gauge                    |         |          |   |
| 40      | 7885R    | Fuel Tank                     |         |          |   |
| 41      | 8999R    | Fuel Line Gauge               |         |          |   |
| 42      | 2751R    | Clip - Fuel Line              |         |          |   |
| 43      | 7831R    | Fuel Line (Long)              |         |          |   |
| 44      | 2961     | In-Line Filter                |         |          |   |
| 45      | 7823R    | Fuel Line (Short)             |         |          |   |
| 46A     | 3907H    | Clip - Fuel Line              |         |          |   |



**REPAIR PARTS**

ROPER 18T TWIN-GARDEN TRACTOR-MODEL NO. T8328BR

**BRAKE AND CLUTCH**



**REPAIR PARTS**

ROPER 18T TWIN-GARDEN TRACTOR-MODEL NO. T8328BR

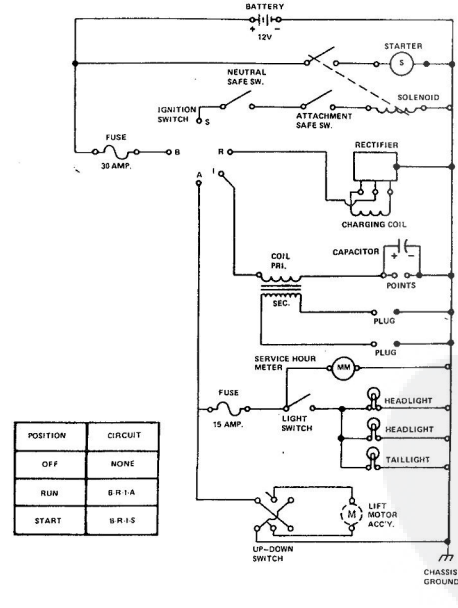
**BRAKE AND CLUTCH**

| KEY NO. | PART NO. | DESCRIPTION                        | KEY NO. | PART NO. | DESCRIPTION                                      |
|---------|----------|------------------------------------|---------|----------|--|
| 1       | 8999R    | Insert Clutch Brake                | 37      | 634A75A  | Idle Bracket Weldment                            |
| 2       | 882R     | Foot Pedal                         | 38      | 8635H    | Idle   |
| 3       | 8765H    | Foot Pedal Bracket                 | 39      | 5002P    | E-Ring   |
| 4       | 9028H    | Spring                             | 40      | 634A986  | Steering Arm Assembly                            |
| 5       | 111J     | Spring                             | 41      | 580P     | Hex Nut 7/16 - 14 UNC                            |
| 6       | 5001P    | E-Ring                             | 42      | 1001P    | Lockwasher 7/16                                  |
| 7       | 1527P    | Washer 21/32 x 7/8 x 16 Ga.        | 43      | 1544P    | Washer 15/32 x 15/16 x 16 Ga.                    |
| 8       | 2505P    | Cotter Pin 1/8 x 3/4               | 44      | 6635H    | Flat Idle  |
| 9       | 2201R    | Brake Rod - Front                  | 45      | 1502P    | Washer 15/32 x 15/16 x 11 Ga.                    |
| 10      | 6417H    | Lumbrack                           | 46      | 6479H1   | Ball Finger                                      |
| 11      | 501P     | *Hex Nut 3/8 - 16 UNC              | 47      | 2262P    | Hex Bolt 7/16 - 14 x 2 - 1/2                     |
| 12      | 7922R    | Safety Start Actuator              | 48      | 2622R    | V-Bolt   |
| 14      | 2201R    | Brake Rod - Front                  | 49      | 6461H2   | Pulley, Transmission                             |
| 15      | 1557P    | Washer 13/32 x 13/16 x 11 Ga.      | 50      | 3002P    | Hex Bolt 1/4 - 20 x 3/4                          |
| 16      | 7262R    | Sprng Washer                       | 51      | 1002P    | *Lockwasher 1/4                                  |
| 17      | 9666R    | Parking Brake Yoke                 | 52      | 2022P    | *Fin. Hex Bolt 3/8 - 24 x 1                      |
| 18      | 175H     | Roll Pin                           | 53      | 1513P    | Washer 15/32 x 13/16 x 18 Ga.                    |
| 19      | 634A887  | Lock Bracket Assembly              | 54      | 548P     | *Hex Jam Nut 3/8 - 24 UNF                        |
| 20      | 2221R    | Parking Brake Spacer               | 55      | 5142H    | Roll Pin   |
| 21      | 5050H    | Sprng Washer                       | 56      | 3022P    | Hex Bolt 3/8 - 16 x 7/8                          |
| 22      | 4319H    | Handle Grip                        | 57      | 1004P    | *Lockwasher 3/8                                  |
| 23      | 634A341  | Parking Lock Handle Assembly       | 58      | 3164P    | Fin. Hex Machine Screw - Undercut 3/8 - 16 x 3/4 |
| 24      | 7810H    | Grnpco Centerlock Nut 3/8 - 24 UNF | 59      | 111P     | Sq. Neck Carriage Bolt 1/4 - 20 x 5/8            |
| 25      | 634A985  | Brake Band and Lining              | 60      | 502P     | *Lockwasher 1/4 - 20 UNC                         |
| 26      | 673A211  | Brake Bracket Assembly             | 61      | 3166P    | Hex Bolt 5/16 - 18 x 7/8                         |
| 27      | 834A168  | Brake Bracket Assembly             | 62      | 1885H    | Locknut 5/16 - 18 UNC                            |
| 28      | 9204H    | Lock Nut 1/2 - 20 UNC              | 63      | 3244P    | Hex Bolt 1/4 - 28 x 5/8 Gr. 5                    |
| 29      | 214J     | Brake Drum                         | 64      | 9071H    | Headlock Nut 1/4 - 28 UNF                        |
| 30      | 634A699  | Brake Arm Assembly                 | 65      | 3326P    | Hex Hd. Mach. Screw 6 - 32 x 1                   |
| 31      | 9858M1   | Woodruff Key                       | 66      | 1567P    | Washer 5/32 x 3/8 x 20 Ga.                       |
| 32      | 2514P    | Cotter Pin 1/4 x 1                 | 67      | 562P     | Centerlock Nut 5/8 - 32 UNC                      |
| 33      | 6486R    | Churn Key                          | 68      | 1602P    | Washer 13/32 x 5/8 x 11 Ga.                      |
| 34      | 1587P    | *Washer 17/32 x 1 - 1/16 x 21 Ga.  |         |          |  |
| 35      | 4839H    | Retainer Spring                    |         |          |  |
| 36A     | 544J     | Hose Shield                        |         |          |  |

**REPAIR PARTS**

ROPER 18T TWIN-GARDEN TRACTOR-MODEL NO. T8328BR

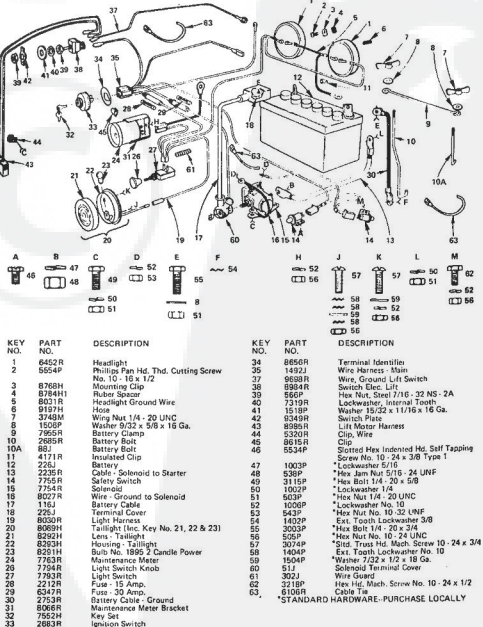
**SCHEMATIC DIAGRAM**



**REPAIR PARTS**

ROPER 18T TWIN-GARDEN TRACTOR-MODEL NO. T8328BR

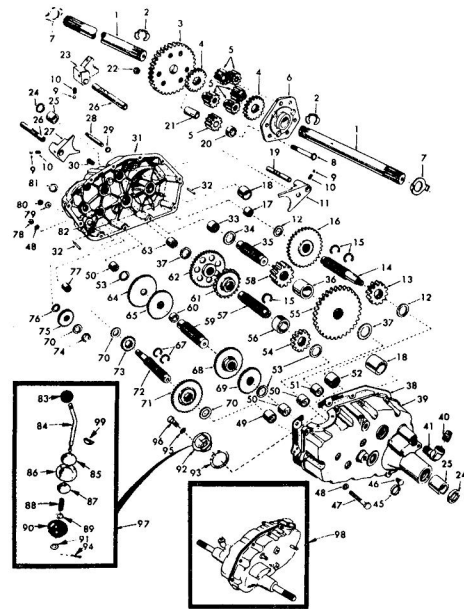
**ELECTRICAL**



### REPAIR PARTS

ROPER 18T TWIN-GARDEN TRACTOR-MODEL NO. T8328BR

#### TRANSAXLE



### REPAIR PARTS

ROPER 18T TWIN-GARDEN TRACTOR-MODEL NO. T8328BR

#### TRANSAXLE

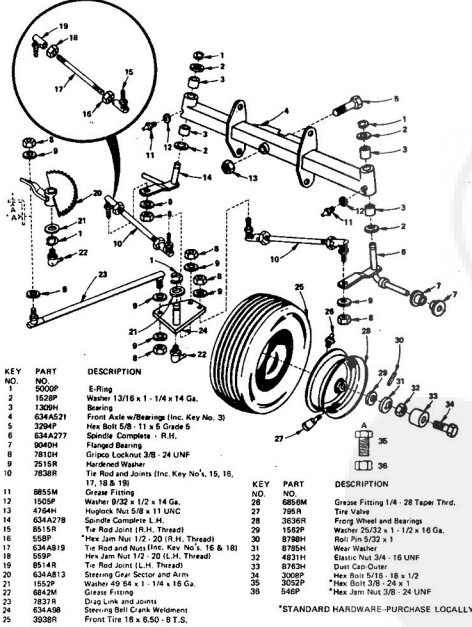
| KEY NO. | PART NO. | DESCRIPTION   | KEY NO. | PART NO. | DESCRIPTION                                     |
|---------|----------|---|---------|----------|---|
| 1       | 4197R    | Axle Shaft  | 49      | 4895H    | Needle Bearing                                  |
| 2       | 5869R    | Retaining Ring  | 50      | 4222R    | Needle Bearing                                  |
| 3       | 4199R    | Final Drive Gear  | 51      | 1207H    | Needle Bearing                                  |
| 4       | 4216R    | Differential Gear   | 52      | 8119M    | Needle Bearing                                  |
| 5       | 4216R    | Differential Pinion   | 53      | 4220R    | Thrust Bearing Race                             |
| 6       | 4217R    | Differential Carrier  | 54      | 4209R    | 3rd Reduction Pinion - Low                      |
| 7       | 6264R    | Axle Thrust Washer  | 55      | 4213R    | 4th Reduction Gear                              |
| 8       | 3056P    | Hex Bolt 3/8" - 24 UNF x 3 - 1/4 (17" Thread Length)  | 56      | 4442R    | 3rd Reduction Pinion Spacer                     |
| 9       | 7392M    | Steel Ball  | 57      | 4199R    | 3rd Reduction Gear Shaft                        |
| 10      | 6272H    | Spring Shift Fork Detent  | 58      | 6414R    | Final Drive Pinion                              |
| 11      | 6968R    | Shift Fork - High - Low Range   | 59      | 4194R    | 1st Reduction Gear Shaft                        |
| 12      | 6266H    | Thrust Bearing Race   | 60      | 7328R    | 1st Reduction Shaft Spacer                      |
| 13      | 4212R    | 4th Reduction Pinion  | 61      | 4208R    | 3rd Reduction Pinion - High                     |
| 14      | 4198R    | 3rd Reduction Gear Shaft  | 62      | 4207R    | 2nd Reduction Gear                              |
| 15      | 6276H    | Snap Ring - Craxson Type  | 63      | 7385H    | Needle Bearing                                  |
| 16      | 633A63   | High - Low Range Gears  | 64      | 4203R    | Low Speed Gear and 2nd Reduction Pinion Cluster |
| 17      | 8118M    | Needle Bearing  | 65      | 4204R    | Reverse Gear                                    |
| 18      | 8740H1   | Sintered Iron Bearing   | 67      | 4828H    | Snap Ring - Craxson Type                        |
| 19      | 6271H    | Shift Fork Shaft, High - Low Range  | 68      | 4206R    | Intermediate Speed Gear                         |
| 20      | 4218R    | Differential Pinion Spacer  | 69      | 4206R    | High Speed Gear                                 |
| 21      | 6252H1   | Differential Pinion Bushing   | 70      | 1202H    | Thrust Bearing Race                             |
| 22      | 7810H    | Gilco Centerlock Hex 3/8" - 24 UNF  | 71      | 633A69   | Intermediate and High Speed Cluster Pinions     |
| 23      | 4868R    | Shift Fork - L.H.   | 72      | 4193R    | Input Shaft                                     |
| 24      | 7393R    | Oil Seal  | 73      | 4201R    | Low Speed Pinion                                |
| 25      | 8927R    | Sintered Iron Bearing   | 74      | 5001P    | E-Ring  |
| 26      | 6216H    | Shift Fork - R.H.   | 75      | 1153R    | Reverse Idler Gear                              |
| 27      | 6262H    | Shift Fork - R.H.   | 76      | 7292H    | Reverse Idler Thrust Washer                     |
| 28      | 6215H    | Shift Fork - High - Low Range   | 77      | 5629H    | Needle Bearing                                  |
| 29      | 6269H    | Oil Seal  | 78      | 6047R    | Hex Nut 5/16" - 18 UNC                          |
| 30      | 5855H    | Pressure Relief Valve   | 79      | 1167R    | Sealing Washer                                  |
| 31      | 633A65   | Gearcase, Reverse Idler Shaft and Bearings - R.H. (Inc. Key No. 1, 17, 18, 25, 23, 50, 53, 76, 77 and 82) | 80      | 6414R    | Hex Jam Nut 7/16" - 20 UNF                      |
| 32      | 6277H    | Dowel Pin   | 81      | 6270H    | Oil Seal  |
| 33      | 4223R    | Needle Bearing  | 82      | 7384H    | Reverse Idler Shaft                             |
| 34      | 7388R    | Thrust Bearing Race   | 83      | 6354H    | Control Knob                                    |
| 35      | 4198R    | 4th Reduction Gear Shaft  | 84      | 8511R    | Gear Shift Lever - Bent                         |
| 36      | 4200R    | 4th Reduction Gear Spacer   | 85      | 9013R    | Gear Shift Cap                                  |
| 37      | 7385H    | Thrust Bearing Race   | 86      | 633A65   | Gear Shift Ball Cover and Pin                   |
| 38      | 6275H    | Gearcase Gasket   | 87      | 8729H1   | Ball Lever Guide Ball - Keyed                   |
| 39      | 633A64   | Gearcase and Bearings - L.H. (Inc. Key No. 1, 18, 25, 41, 50 (2), 51 and 52)                              | 88      | 4924H    | Spring  |
| 40      | 4002P    | Pin Plug 1/2" - 14 N.P.T.   | 89      | 8105R    | Shift Mechanism Shaft                           |
| 41      | 4003P    | Pin Plug 9/16" - 12 N.P.T.  | 90      | 7489R    | Washer 8/16 x 18/16 x 11 Ga.                    |
| 42      | 8211H    | Oil Seal  | 91      | 8274H    | Gear Shift Gear                                 |
| 43      | 4001P    | Pin Plug 1/4" - 18 N.P.T.   | 94      | 2205P    | Lockwasher 5/16                                 |
| 44      | 3087P    | *Hex Bolt 5/16" - 18 x 1 - 1/2 Grade 5  | 95      | 3159P    | Lockwasher 5/16                                 |
| 45      | 1007P    | Lockwasher 5/16 Extra Heavy   | 97      | 633A62   | Hex Bolt 5/16" - 18 UNC x 7/8                   |
|         |          |   | 98      | 633A78   | Transaxle Assembly Lens Brake Drum              |
|         |          |   | 99      | 7835M    | *Shift Lever Woodruff Key 1/8 x 1/2             |

\*STANDARD HARDWARE-PURCHASE LOCALLY

### REPAIR PARTS

ROPER 18T TWIN-GARDEN TRACTOR-MODEL NO. T8328BR

#### FRONT AXLE

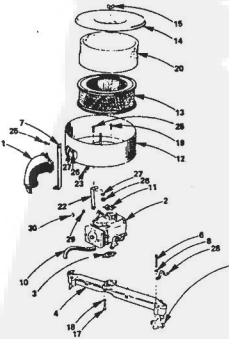


### REPAIR PARTS

ROPER 18T TWIN-GARDEN TRACTOR-MODEL NO. T8328BR  
ONAN ENGINE-MODEL NO. B49M-GAD18/5560A

#### FUEL SYSTEM GROUP

ALL PARTS MUST BE PURCHASED THROUGH AND SERVICE PERFORMED BY YOUR LOCAL ONAN DEALER.



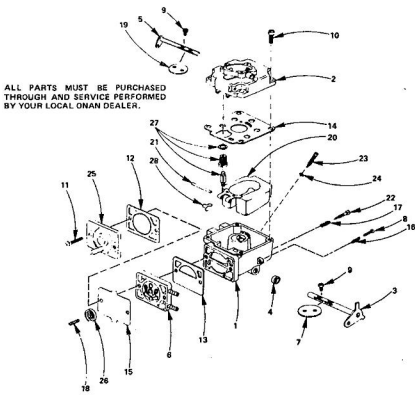
| KEY NO. | PART NO. | DESCRIPTION                                      | KEY NO. | PART NO. | DESCRIPTION  |
|---------|----------|--|---------|----------|--|
| 1       | 140-1169 | Tube, Air Intake (Air Cleaner to Blower Housing) | 15      | 865-0020 | Nut, Wing - Air Cleaner (1/4" - 20)                    |
| 2       | 142-0568 | Tube, Carburetor (with Integral Fuel Pump)       | 17      | 800-0023 | Screw, Hex Head Cap (1/4" - 20 x 1-3/8")               |
| 3       | 145-0438 | Clacket, Carburetor Mounting                     | 18      | 860-0040 | Washer, Staking Lock (1/4")                            |
| 4       | 154-1468 | Manifold, Intake                                 | 19      | 915-0483 | Screw, Round Head with Nylon Seal (No. 10 - 32 x 5/8") |
| 5       | 150-1446 | *Clacket, Intake - Manifold                      | 20      | 140-1313 | Washer, Air Cleaner Support (No. 10 - 32 x 5/8")       |
| 6       | 800-0033 | Screw, Hex Head Cap 5/16" - 18 x 2               | 21      | 140-1312 | Clacket, Air Cleaner Support                           |
| 7       | 800-0034 | Screw, Hex Head Cap 5/16" - 18 x 2 - 1/4         | 22      | 518-0028 | Clacket, Cable   |
| 8       | 140-1198 | Support, Air Cleaner                             | 23      | 800-0023 | Screw, Hex Head Cap (1/4" - 20 x 1/2")                 |
| 9       | 850-0045 | Washer, Spring Lock (5/16")                      | 24      | 862-0001 | Nut, Hex (1/4" - 20)                                   |
| 10      | 503-0740 | Hose, Fuel Pump Vacuum                           | 25      | 853-0013 | Washer, Lock - ET (1/4")                               |
| 11      | 140-1215 | *Clacket, Air Cleaner Mfg.                       | 26      | 423-1480 | Bracket, Lifting                                       |
| 12      | 140-1213 | Housing, Air Cleaner                             | 29      | 854-0275 | Washer, Lock - IT (5/16")                              |
| 13      | 140-1218 | Blower, Air Cleaner                              | 30      | 870-0275 | Nut, Hex (7/16 - 14)                                   |
| 14      | 140-1168 | Cover, Air Cleaner                               |         |          |  |

\* See repair manual for dimensions.  
\* Included in Gasket Kit, page 29.

### REPAIR PARTS

ROPER 18T TWIN-GARDEN TRACTOR-MODEL NO. T8328BR  
ONAN ENGINE-MODEL NO. B48M-GA018/3560A

#### CARBURETOR PARTS GROUP



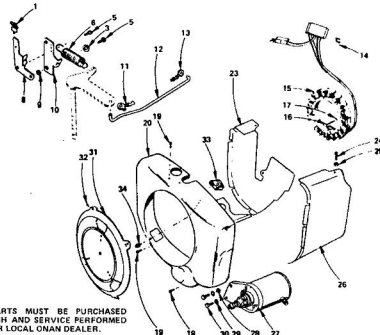
ALL PARTS MUST BE PURCHASED THROUGH AND SERVICE PERFORMED BY YOUR LOCAL ONAN DEALER.

| KEY NO. | PART NO. | DESCRIPTION                     | KEY NO. | PART NO.                              | DESCRIPTION              |
|---------|----------|---------------------------------|---------|---------------------------------------|--------------------------|
| 1       | 1420568  | Carburetor Assembly, Complete   | 17      | 1420282                               | *Spring, Idle Needle     |
| 2       | 1420574  | Body Assembly, Lower            | 18      | 1420546                               | *Spring, Pump Diaphragm  |
| 3       | 1420573  | Sleeve Assembly                 | 19      | 1420548                               | Fly, Choke               |
| 4       | 1420534  | *Shaft Assembly, Throttle       | 20      | 1420547                               | Float and Lever Assembly |
| 5       | 1420535  | *Washing, Shaft                 | 21      | 1420540                               | *Shaft, Float Lever      |
| 6       | 1420536  | *Shaft Assembly, Choke          | 22      | 1420018                               | *Needle, Idle            |
| 7       | 1420537  | *Valve Float Assembly           | 23      | 1420549                               | Needle Assembly, Power   |
| 8       | 1420064  | Screw, Throttle Stop            | 24      | 1420550                               | *Gasket, "O" Ring        |
| 9       | 1420334  | Screw, Fly Mounting             | 25      | 1420551                               | Cover, Pump              |
| 10      | 1420539  | Screw, Bowl Cover Mounting      | 26      | 1420552                               | *Hose, Pump Spring       |
| 11      | 1420540  | Screw, Pump Cover               | 27      | 1420553                               | *Valve Assembly, Float   |
| 12      | 1420541  | *Gasket, Hose to Diaphragm      | 28      | 1420554                               | Clip, Float Valve        |
| 13      | 1420542  | *Gasket, Plate to Base          | 1420571 | *Gasket Set (Includes Parts Marked *) |                          |
| 14      | 1420572  | *Gasket, Sover Assembly to Base | 1420570 | Repair Kit (Includes Parts Marked *)  |                          |
| 15      | 1420555  | *Diaphragm, Pump                |         |                                       |                          |
| 16      | 1420544  | Spring, Throttle Stop Screw     |         |                                       |                          |

### REPAIR PARTS

ROPER 18T TWIN-GARDEN TRACTOR-MODEL NO. T8328BR  
ONAN ENGINE-MODEL NO. B48M-GA018/3560A

#### GOVERNOR, STARTER, CHARGING ALTERNATOR AND BLOWER HOUSING GROUP



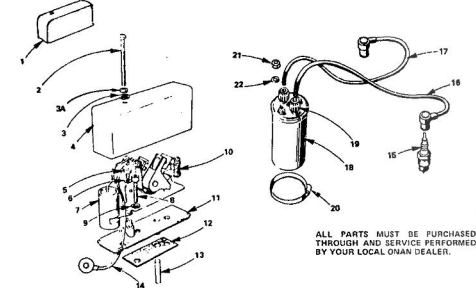
ALL PARTS MUST BE PURCHASED THROUGH AND SERVICE PERFORMED BY YOUR LOCAL ONAN DEALER.

| KEY NO. | PART NO. | DESCRIPTION                                       | KEY NO. | PART NO. | DESCRIPTION  |
|---------|----------|---|---------|----------|--|
| 1       | 1530514  | Clip, Throttle Cable                              | 19      | 8150261  | Screw, Hex Head Cap (1/4" - 20 x 7/16")                      |
| 3       | 5550014  | Flat Washer 1/2" I.D. x 1/2" x 7/16"              | 20      | 134-3749 | Housing, Blower  |
| 5       | 8150438  | Screw, Hex Cap - Flange Locking (1/4" - 20 x 1/2) | 22      | 134-2889 | Housing, Cylinder Air - Left                                 |
| 6       | 150-1214 | Bracket, Governor Mounting                        | 24      | 8150250  | Screw, Hex Head Cap (1/4" - 20 x 3/4" O.D. x 1 1/16" Thread) |
| 8       | 150-1725 | Spring, Governor                                  | 25      | 5260021  | Washer, Flat Steel (1 1/8" I.D. x 3/4" O.D. x 1 1/16" Thick) |
| 9       | 150-1209 | Bushing, Governor Control                         | 26      | 134-3400 | Housing, Cylinder Air - Right                                |
| 10      | 150-1576 | Arm, Governor Control                             | 27      | 191-0933 | Starter, 12 Volt (For Components see separate group)         |
| 11      | 870-0278 | Clip, Governor Control Rod to Governor Arm        | 28      | 5260113  | Washer, Flat Steel (1 1/32" I.D. x 1" O.D. x .320" Thick)    |
| 12      | 150-1350 | Rod, Governor Control                             | 29      | 850-0045 | Washer, Spring Lock (5/16" x 5/16" 18 x 1")                  |
| 13      | 818-0004 | Clip, Governor Control Rod to Carburetor          | 30      | 800-0028 | Screw, Hex Head Cap (5/16" 18 x 1")                          |
| 14      | 167-0188 | Clip, Alternator Lead Support                     | 31      | 134-3213 | Guard, Blower Housing (No. 14 x 1 1/2")                      |
| 15      | 191-1216 | Stator, Charging Alternator                       | 32      | 8150378  | Screw, Int'l Hex Head w/ET (No. 14 x 1 1/2")                 |
| 16      | 813-0143 | Screw, Round Head - Steel No. 10 - 22 x 1 - 3/8"  | 33      | 191-1208 | Regulator, Alternator (15 Amp)                               |
| 17      | 850-0030 | Washer, Lock (No. 10)                             | 34      | 821-0010 | Screw, Hex Hd. Cap (1/4" - 20 x 1/2)                         |

### REPAIR PARTS

ROPER 18T TWIN-GARDEN TRACTOR-MODEL NO. T8328BR  
ONAN ENGINE-MODEL NO. B48M-GA018/3560A

#### IGNITION GROUP



ALL PARTS MUST BE PURCHASED THROUGH AND SERVICE PERFORMED BY YOUR LOCAL ONAN DEALER.

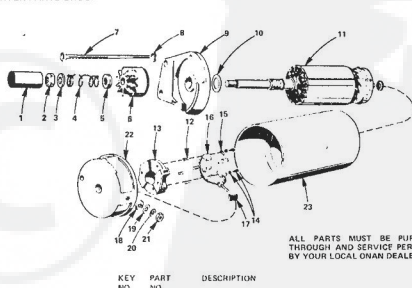
| KEY NO. | PART NO. | DESCRIPTION  |
|---------|----------|--|
| 1       | 160-1210 | Box Assembly, Breaker (Includes Parts Marked *)        |
| 2       | 812-0108 | *Screw, Machine - Round Head (No. 14 x 1 - 1/2")       |
| 3       | 528-0008 | *Washer, Flat (1 3/8" I.D. x 7/16" O.D. x 1/32" Thick) |
| 3A      | 509-0065 | *Retainer, "O" Ring                                    |
| 4       | 100-1232 | *Cover, Breaker Box (Includes parts marked *)          |
| 5       | 815-0358 | *Screw, Tapping - Hex Head (No. 8 - 32 x 5/16")        |
| 6       | 850-0025 | *Washer, Lock - Spring (No. 8)                         |
| 7       | 312-0189 | *Condenser, Ignition                                   |
| 8       | 802-0034 | *Screw, Cap - Socket Head (1/4" - 20 x 3/4")           |
| 9       | 850-0038 | *Washer, Lock - Spring - High Collar (1/4")            |
| 10      | 160-1163 | *Point Assembly, Breaker                               |
| 11      | 160-1219 | *Base, Breaker Box                                     |
| 12      | 100-1190 | *Gasket, Breaker Box                                   |
| 13      | 100-1151 | *Plunger, Breaker Point Assembly                       |
| 14      | 338-2378 | Lead, Breaker Points to Coil Plug, Spark               |
| 15      | 167-0208 | Cap, Spark   |
| 16      | 167-1595 | Cap, Spark Plug (1 7/8")                               |
| 17      | 107-1598 | Cap, Spark Plug (1 5/8")                               |
| 18      | 106-0535 | Coil, Ignition   |
| 19      | 106-0804 | Nut, Coil Cable (Part of 166-0535 Coil)                |
| 20      | 501-0311 | Clamp, Coil Mounting                                   |
| 21      | 166-0554 | Nut, Hex   |
| 22      | 800-2005 | Washer, Lock   |

\*PARTS INCLUDED IN 160-1210 BREAKER BOX ASSEMBLY.  
\*INCLUDED IN GASKET KIT 168-0130.  
\*INCLUDED IN 100-1232 COVER

### REPAIR PARTS

ROPER 18T TWIN-GARDEN TRACTOR-MODEL NO. T8328BR  
ONAN ENGINE-MODEL NO. B48M-GA018/3560A

#### STARTER PARTS GROUP



ALL PARTS MUST BE PURCHASED THROUGH AND SERVICE PERFORMED BY YOUR LOCAL ONAN DEALER.

| KEY NO.  | PART NO. | DESCRIPTION   |
|----------|----------|---|
| 1        | 191-0933 | Starter, 12 Volt (Complete)                                     |
| 2        | 191-0934 | Cover, Cast   |
| 3        | 191-1045 | Nut, Snap   |
| 4        | 191-1046 | Washer, Snap Nut  |
| 5        | 191-1047 | Spring, Armature  |
| 6        | 191-1048 | Screw, Hex Cap  |
| 7        | 191-1048 | Screw, Hex Cap  |
| 8        | 850-0040 | Washer, Lock  |
| 9        | 191-1039 | Cap, Armature, Lower End  |
| 10       | 191-1038 | Washer, Armature, Thrust  |
| 11       | 191-1039 | Armature  |
| 12       |          | *Spring, Brush  |
| 13       |          | *Brush, Forward   |
| 14       |          | *Brush, Reverse   |
| 15       |          | *Brush, Forward   |
| 16       |          | *Brush, Reverse   |
| 17       |          | *Steel and Brush Assembly, Input                                |
| 18       |          | *Brushing, Insulator, Input Shaft                               |
| 19       |          | *Washer, Insulator, Input Shaft                                 |
| 20       |          | *Washer, Lock - Input Shaft                                     |
| 21       |          | *Nut, Covering, Input Shaft                                     |
| 22       | 191-1040 | Cap Assembly, Commutator, Exciter, Parts Marked (*)             |
| 23       |          | Housing, Starter Motor  |
| 191-1041 |          | Bracket, a, Frame, Armature and Start Hook-Up, Parts Marked (*) |

\* Included in the 191-1040 Cap Assembly.  
\* Included in the 191-1040 Brush, Spring and Snap Nut.  
\* Not Sold Separately.

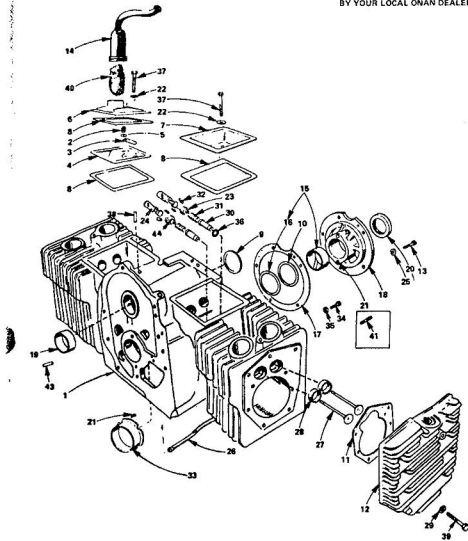


### REPAIR PARTS

ROPER 18T TWIN-GARDEN TRACTOR-MODEL NO. T8328BR  
ONAN ENGINE-MODEL NO. B48M-GA018/3560A

#### CYLINDER BLOCK GROUP

ALL PARTS MUST BE PURCHASED THROUGH AND SERVICE PERFORMED BY YOUR LOCAL ONAN DEALER.



### REPAIR PARTS

ROPER 18T TWIN-GARDEN TRACTOR-MODEL NO. T8328BR  
ONAN ENGINE-MODEL NO. B48M-GA018/3560A

#### CYLINDER BLOCK GROUP

| KEY NO.     | PART NO.    | DESCRIPTION  | KEY NO.     | PART NO. | DESCRIPTION  |
|-------------|-------------|--|-------------|----------|--|
| 1           | 110 2500    | Block Assembly, Cylinder (Includes Part Marked †)              | 28          |          | INLET VALVE SEAT   |
| 2           | 123 1134    | Spring, Breather Valve   | 110 1824    |          | †Standard  |
| 3           | 123 1175    | Valve, Breather  | 110 1824 02 | 002"     | Oversize   |
| 4           | 123 1172    | Valve, Breather  | 110 1824 05 | 005"     | Oversize   |
| 5           | 526 001B    | Washer, Flat, Steel (17/64" I.D. x 5/8" O.D. x 1/16" Thick)    | 110 1824 10 | 010"     | Oversize   |
| 6           | 110 2274    | Cover, Valve Compartment (L.H.)                                | 110 1824 25 | 025"     | Oversize   |
| 7           | 110 1879    | Cover, Valve Compartment (R.H.)                                | 110 0197    |          | †Standard  |
| 8           | 110 1921    | †Gasket, Valve Cover   | 110 0197 02 | 002"     | Oversize   |
| 9           | 517 0048    | Plug, Extension - Camshaft                                     | 110 0197 05 | 005"     | Oversize   |
| 10          | 104 0775    | 15Hm, Rear Bearing Plate (1.005")                              | 110 0197 10 | 010"     | Oversize   |
| 11          | 110 0892    | †Gasket, Cylinder Head   | 110 0197 25 | 025"     | Oversize   |
| 12          |             | HEAD, CYLINDER   | 29          | 256 0122 | Washer, Flat, Steel (11/32" I.D. x 23/32" O.D. x 10 Gauge)   |
| 13          | 110 2564    | Block, Side (No. 2 Cylinder)                                   | 30          | 110 1807 | †Gudge, Valve  |
| 13          | 800 2563    | Left Side (No.1 Cylinder)                                      | 31          | 110 0530 | Spring, Valve  |
| 13          | 800 0251    | †Screw, Hex Head Cap-Steel (3/8 - 16 x 1 - 1/4")               | 32          | 110 0639 | Lock, Valve and Spring Retainer                              |
| 14          | 123 1277    | Tube, Breather   | 33          |          | BEARING, CRANKSHAFT - FRONT (FLANGES)                        |
| 15          |             | BEARING, CRANKSHAFT - REAR (INCLUDES THRUST WASHER)            | 101 0432    |          | †Standard  |
| 101 0450    |             | Standard   | 101 0432 02 | 002"     | Undersize  |
| 101 0450 02 | 002"        | Undersize  | 101 0432 10 | 010"     | Undersize  |
| 101 0450 10 | 010"        | Undersize  | 101 0432 20 | 020"     | Undersize  |
| 101 0450 20 | 020"        | Undersize  | 101 0432 30 | 030"     | Undersize  |
| 101 0450 30 | 030"        | Undersize  | 800 0046    |          | Screw, Hex Head Cap (3/8 - 16 x 2 1/4")                      |
| 16          | 104 0575    | †Washer, Crankshaft Bearing Thrust                             | 34          | 526 0066 | Washer, Flat, Copper (25/64" I.D. x 9/16" O.D. x 1/16" O.D.) |
| 17          | 101 0415    | †Gasket, Bearing Plate   | 35          | 110 0058 | †Gasket, Valve Guide (Inlet)                                 |
| 18          | 101 0439    | †Plate, Bearing (Excludes Bearings)                            | 37          | 800 0010 | Screw, Hex Head Cap (1/4 - 20 x 1 - 3/4")                    |
| 19          | 101 0405    | †Bearing, Camshaft (Precision)                                 | 29          | 149 1299 | †Tube, Fuel Pump Vacuum SCREW, HEX HEAD CAP                  |
| 20          | 509 0541    | †Seal, Bearing Plate   | 800 0540    |          | 5/16 - 18 x 1 5/8"   |
| 21          | 516 0072    | Pin, Main Bearing Stop   | 800 0541    |          | 5/16 - 18 x 2"   |
| 22          | 526 0053    | Washer, Flat - Copper (17/64" I.D. x 7/16" O.D. x 1/32" Thick) | 40          | 123 8855 | Filter, Breather Fuel  |
| 23          | 110 0893    | Retainer, Valve - INTAKE                                       | 41          | 520 0820 | Stud, Cylinder Block Wet Hole (Lower)                        |
| 24          | 115 0006    | Standard   | 43          | 516 0141 | Pin, Dowel (Gear Cover Align)                                |
| 24          | 115 0006 02 | 002" Oversize  | 44          | 110 0804 | Rotopop - Exhaust Valve                                      |
| 24          | 115 0006 05 | 005" Oversize  |             |          |  |
| 25          | 800 0050    | †Washer, Lock (3/8")   |             |          |  |
| 26          | 120 0735    | †Tube, Crankcase Oil   |             |          |  |
| 27          | 110 1808    | Intake   |             |          |  |
|             | 110 1809    | Exhaust  |             |          |  |

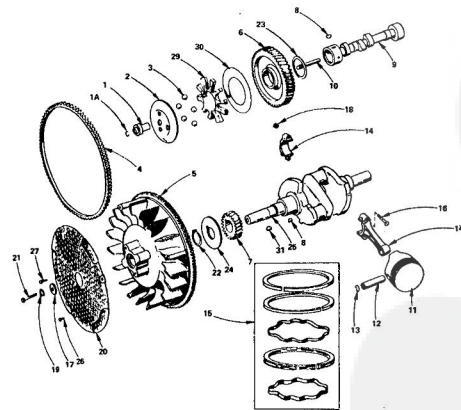
† Included in 110 2500 Cylinder Block Assembly  
\* Replacement Front Flange Bearing replaces unflanged bearing and thrust washer  
x Included in Gasket Kit 188 0130

### REPAIR PARTS

ROPER 18T TWIN-GARDEN TRACTOR-MODEL NO. T8328BR  
ONAN ENGINE-MODEL NO. B48M-GA018/3560A

#### CRANKSHAFT, FLYWHEEL, CAMSHAFT AND PISTON GROUP

ALL PARTS MUST BE PURCHASED THROUGH AND SERVICE PERFORMED BY YOUR LOCAL ONAN DEALER.



### REPAIR PARTS

ROPER 18T TWIN-GARDEN TRACTOR-MODEL NO. T8328BR  
ONAN ENGINE-MODEL NO. B48M-GA018/3560A

#### CRANKSHAFT, FLYWHEEL, CAMSHAFT AND PISTON GROUP

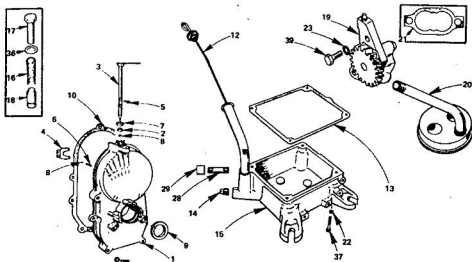
| KEY NO. | PART NO.    | DESCRIPTION   |
|---------|-------------|---|
| 1       | 150 1518    | Hub   |
| 1A      | 150 0078    | Ring, Camshaft Center Pin                                     |
| 2       | 150 1520    | Cap, Governor   |
| 3       | 510 0015    | Ball, Fly - Governor  |
| 4       | 104 0779    | Gear, Ring - Flywheel   |
| 5       | 134 3494    | Flywheel (Includes Ring Gear and Magnet Ring)                 |
| 6       | 105 0232    | Gear, Camshaft (Includes Flyball Sprocket and Pin)            |
| 7       | 104 0032    | Gear, Crankshaft  |
| 8       | 515 0001    | Key (1/2" Diameter x 1 1/8")                                  |
| 9       | 105 0402    | Camshaft (Includes Center Pin)                                |
| 10      | 150 0075    | Pin, Camshaft Center  |
| 11      |             | PISTON AND PIN (INCLUDES RETAINING RINGS)                     |
| 11      | 112 0151    | Standard  |
| 11      | 112 0151 05 | 005" Oversize   |
| 11      | 112 0151 10 | 010" Oversize   |
| 11      | 112 0151 20 | 020" Oversize   |
| 11      | 112 0151 30 | 030" Oversize   |
| 11      | 112 0151 40 | 040" Oversize   |
| 12      | 112 0122    | Pin, Piston   |
| 13      | 518 0311    | Ring, Piston Pin Retaining                                    |
| 14      |             | ROD ASSEMBLY, CONNECTING                                      |
| 14      | 114 0257    | Standard  |
| 14      | 114 0257 10 | 010" Oversize   |
| 14      | 114 0257 20 | 020" Oversize   |
| 14      | 114 0257 30 | 030" Oversize   |
| 15      |             | RING SET, PISTON  |
| 15      | 113 0189    | Standard  |
| 15      | 113 0189 05 | 005" Oversize   |
| 15      | 113 0189 10 | 010" Oversize   |
| 15      | 113 0189 20 | 020" Oversize   |
| 15      | 113 0189 30 | 030" Oversize   |
| 15      | 113 0189 40 | 040" Oversize   |
| 16      | 114 0240    | Bolt, Special - Connecting Rod                                |
| 17      | 526 0017    | Washer, Flat Steel (15/32" I.D. x 1 - 1/4" O.D. x 1/4" Thick) |
| 18      | 870 0302    | Nut, Locking (5/16 - 24)                                      |
| 19      | 890 0255    | Washer, Spring Lock (7/16")                                   |
| 20      | 134 3508    | Guard, Flywheel   |
| 21      | 104 0170    | Screw, Hex Head Cap (7/16 - 14 x 4")                          |
| 22      | 518 0014    | Ring, Retaining - Crankshaft Gear                             |
| 23      | 105 0004    | Washer, Crankshaft Gear Thrust                                |
| 24      | 104 0063    | Washer, Crankshaft Gear Retainer                              |
| 25      | 104 0896    | Crankshaft  |
| 26      | 515 0400    | Machine Screw Trust Head                                      |
| 27      | 821 0014    | Screw, Hex Head Cap - Locking Flange (5/16 - 18 x 1/2")       |
| 28      | 150 1257    | Sector, Governor Flywheel                                     |
| 30      | 150 0071    | Pin, Governor Flywheel  |
| 31      | 515 0227    | Key, K1   |

Click Here to upgrade to Unlimited Pages and Expanded Features

**REPAIR PARTS**

ROPER 18T TWIN-GARDEN TRACTOR-MODEL NO. T8328BR  
ONAN ENGINE-MODEL NO. E48M-GA018/3560A

**GEAR COVER, OIL BASE AND OIL PUMP GROUP**



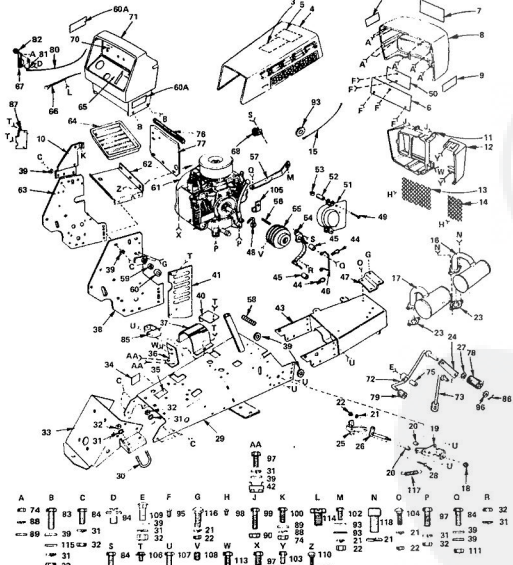
ALL PARTS MUST BE PURCHASED THROUGH AND SERVICE PERFORMED BY YOUR LOCAL ONAN DEALER.

| KEY NO. | PART NO. | DESCRIPTION  | KEY NO. | PART NO. | DESCRIPTION  |
|---------|----------|--|---------|----------|--|
| 1       | 103 0498 | Cover Assembly, Gear (Includes Parts Mark'd)                   | 21      | 120-0161 | Gasket Kit, Oil Pump   |
| 2       | 510-0105 | Bearing, Governor Shaft  | 22      | 850-0050 | Washer, Spring Lock (3/8")   |
| 3       | 150-1470 | Shaft and Arm Assembly, Governor                               | 23      | 850-0040 | Washer, Spring Lock (1/4")   |
| 4       | 150-1187 | Yoke Governor Shaft  | 24      | 526-0066 | Washer, Flat - Copper (2 1/4") I.D. x 8/16" O.D. x 1/16" Thick                 |
| 5       | 815-0048 | Sealer, Yoke Retaining   | 28      | 505-0176 | Nipple, Pipe - Oil Drain (1/2 x 3-1/2")  |
| 6       | 516-0130 | Pin, Governor Cup Stop   | 29      | 505-0158 | Cap, Pipe (1/2")   |
| 7       | 509-0008 | Seal, Oil Governor Shaft                                       | 36      | 526-0066 | Washer, Flat - Copper (25/64" I.D. x 9/16" O.D. x 1/16" Thick) - By Pass Valve |
| 8       | 510-0014 | Bolt, Bearing Governor Shaft                                   | 37      | 800-0056 | Screw, Hex Head Cap (3/8 - 16 x 2-1/2")  |
| 9       | 409-0040 | Seal, Gear Cover   | 38      | 800-0032 | Screw, Hex Head Cap (5/16 - 18 x 1-3/4") - Gear Cover Mounting                 |
| 10      | 103-0408 | Gasket, Gear Cover   | 38      | 800-0545 | Screw, Hex Head Cap (5/16 - 18 x 2-3/4") - Gear Cover Mounting                 |
| 12      | 123-1292 | Cap and Indicator, Oil Fill                                    | 39      | 800-0007 | Screw, Hex Head Cap (1/8 - 20 x 1")  |
| 13      | 102-0932 | Gasket, Oil Base Mounting                                      |         |          |  |
| 14      | 505-0056 | Plug, Oil Drain  |         |          |  |
| 15      | 103-0141 | GASKET, OIL  |         |          |  |
| 16      | 120-0140 | Sealing, Oil By Pass Valve                                     |         |          |  |
| 17      | 801-0050 | Screw, Hex Head Cap (3/8 - 16 x 2-1/2") - Oil By Pass Valve    |         |          |  |
| 18      | 120-0398 | Valve, Oil By Pass   |         |          |  |
| 19      | 120-0491 | Pump, Oil - Ceramic (NOTE: Internal parts not sold separately) |         |          |  |
| 20      | 120-0713 | Intake, Oil Pump (Includes: Cap, Screen and Seal)              |         |          |  |

**REPAIR PARTS**

ROPER 18 TWIN HYDRO GARDEN TRACTOR-MODEL NO. T8338AR

**MAIN FRAME, DASHBOARD AND GRILL**



**REPAIR PARTS**

ROPER 18 TWIN HYDRO GARDEN TRACTOR-MODEL NO. T8338AR

**MAIN FRAME, DASHBOARD AND GRILL**

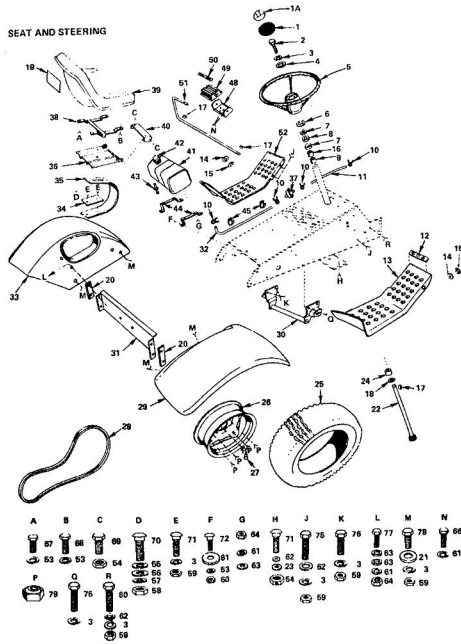
| KEY NO. | PART NO. | DESCRIPTION  | KEY NO. | PART NO.   | DESCRIPTION                          |
|---------|----------|--|---------|------------|--------------------------------------|
| 3       | 8028R    | Decal - Maintenance  | 61      | 848M/GA018 | Engine, Onan 18 H.P. Twin Cylinder   |
| 4       | 834A837  | Hood Assembly  | 62      | 3475A      | Battery Support                      |
| 5       | 9890R    | Decal - Wiring   | 63      | 150L3      | Battery Support Bracket - L.H.       |
| 6       | 291J     | Grill Panel - Lower  | 63      | 896J       | Battery Tray                         |
| 7       | 245J     | Decal - Roper  | 65      | 896R       | Decal - Lower Dash                   |
| 8       | 911J     | Lower Grill  | 66      | 8855R      | Choke Control                        |
| 9       | 246J     | Decal - Roper  | 67      | 1520J      | Throttle Control Lever               |
| 10      | 1151J    | Rectifier Bracket  | 68      | 8775E1     | Choke Control Clip                   |
| 11      | 7537R    | Lower Grill  | 70      | 8959R      | Decal - Upper Dash                   |
| 12      | 7538R    | Grill Side   | 71      | 1123R      | Dashboard                            |
| 13      | 2874R    | Grill Screen - L.H.  | 72      | 634A201    | Pedal Weldment P.T.O.                |
| 14      | 2873R    | Grill Screen - R.H.  | 73      | 634A203    | Lower Weldment                       |
| 15      | 8058R    | Grill Cable  | 74      | 503P       | Hex Nut 1/4 - 20 UNC                 |
| 16      | 105J     | Muffler - Front  | 75      | 91J        | Pin, Spacer                          |
| 17      | 105J     | Muffler - Rear   | 76      | 7874R      | Hood Seal                            |
| 18      | 7810H    | Griggs Centerlock Nut 3/8 - 24 UNF                               | 77      | 8007R      | Bracket, Rear Shroud                 |
| 19      | 634A404  | Bushing  | 78      | 92J        | Rubber Foot                          |
| 20      | 1689E    | Lockwasher 5/16  | 79      | 257J       | Foot Panel                           |
| 21      | 1003P    | Lockwasher 5/16  | 80      | 1516J      | Throttle Wire and Casing             |
| 22      | 506P     | Hex Nut 5/16 - 18 UNC  | 81      | 8204R      | Throttle Clump                       |
| 23      | 878J     | Gasket - Exhaust Manifold  | 82      | 1516J      | Throttle Control                     |
| 24      | 95J      | Gasket - Exhaust Manifold  | 83      | 3072P      | Hex Bolt 3/8 - 16 x 1-1/2            |
| 25      | 834A482  | Switch Bracket Assembly  | 84      | 3022P      | Hex Bolt 3/8 - 16 x 1                |
| 26      | 634A481  | Link   | 85      | 634A385    | Front Hanger Weldment - L.H.         |
| 27      | 82J      | Spindle Nut/Push-on  | 86      | 2506P      | Dotter Pin 7/8 x 1                   |
| 28      | 3013P    | Hex Bolt 5/16 - 18 x 1-1/2                                       | 87      | 86J        | Cover - L.H.                         |
| 29      | 634A204  | Drive Assembly with Bearings (Inc. Key No. 1, 9 and 24, page 18) | 88      | 1005H      | Lockwasher 1/4                       |
| 30      | 5068R    | Lockwasher 3/8   | 89      | 1005H      | Lockwasher No. 10                    |
| 31      | 1004P    | Lockwasher 3/8   | 90      | 505P       | Nut No. 10 - 24 UNC                  |
| 32      | 501P     | Hex Nut 3/8 - 18 UNC   | 91      | 1537P      | Washer 11/32 x 1 1/8 x 16 Ga.        |
| 33      | 834A638  | Distal Weldment  | 94      | 6055P      | Hex Shutoff Nut, Mach. Surv          |
| 34      | 8143R    | Decal - By Pass Valve  | 95      | 5564P      | Welding Int. Fourth Lockwasher       |
| 35      | 5028R    | Decal - Parking Brake  | 96      | 1005H      | Nut No. 10 32 x 1/4                  |
| 36      | 5108R    | Filter Mounting Bracket  | 97      | 1005H      | Nut No. 10 32 x 1/2 Type 1           |
| 37      | 6304R    | Oil Filter Shank   | 98      | 1545P      | Flaw Washer 3/8 - 16 x 1 1/4         |
| 38      | 634A603  | Battery Support Bracket (Inc. Key No. 99)                        | 99      | 3022P      | Hex Bolt 3/8 - 16 x 1 1/4            |
| 39      | 1613P    | Washer 13/32 x 13/16 - 16 Ga.                                    | 100     | 5501P      | Cutter/Screw, Push-on Pin Hd. Thrd   |
| 40      | 811J     | Neutral Adjustment Cover   | 101     | 314P       | Hex Bolt 1/4 - 20 x 1-1/2            |
| 41      | 7229R    | Cover - R.H.   | 102     | 2011P      | Hex Bolt 5/16 - 18 x 3/4             |
| 42      | 8115R    | Retainer Nut 3/8 - 16 UNC  | 103     | 5010P      | Hex Bolt 5/16 - 18 x 3/4             |
| 43      | 634A604  | Engine Mount Assembly  | 104     | 879J       | Carriage Bolt 5/16 - 18 x 3/4        |
| 44      | 4923M    | Retainer Spring  | 105     | 879J       | Clip - Cable                         |
| 45      | 8704H    | Retainer   | 106     | 5537P      | Cutting Screw, Hex Washer Hd. Thrd   |
| 46      | 5621R    | Bolt, Retainer   | 107     | 3025P      | 1/4 - 20 x 1/2 Type 1                |
| 47      | 95J      | Roll Pin   | 108     | 4540P      | Set Screw, Hex Flange Socket Mallet  |
| 48      | 8745R    | Bolt, Retainer Finger  | 109     | 508P       | Carriage Bolt 3/8 - 16 x 2 1/4       |
| 49      | 3164P    | Machine Screw, Slotted Fillister Hd.                             | 110     | 53P        | Carriage Bolt No. 10 24 x 1/2        |
| 50      | 290J     | Roll Pin   | 111     | 1538R      | Washer 7/8 x 1 1/8 x 16 Ga.          |
| 51      | 834A663  | Bolt, Guard Weldment   | 112     | 1538P      | Washer 7/8 x 1 1/8 x 16 Ga.          |
| 52      | 8238H    | Pin, Spacer  | 113     | 3040P      | Hex Bolt 1/4 - 20 x 3/4              |
| 53      | 347H     | Hexlock Nut 1/4 - 20 UNC   | 114     | 5562P      | St. Pan Hd. Tap Screw No. 8 x 3/4    |
| 54      | 634A662  | Bolt, Guard Weldment   | 115     | 1538R      | Washer 13/32 x 13/16 x 11 Ga.        |
| 55      | 634A665  | Engine Pulley (Inc. Key No. 108)                                 | 116     | 3139P      | Hex Bolt 5/16 - 18 x 7/8             |
| 56      | 8285E    | Square Key 1/4 x 2   | 117     | 7868R      | Pin, Spring                          |
| 57      | 875J     | Grill Brace  | 118     | 3366P      | Socket Hd. Cap Screw 3/16 - 18 x 3/4 |
| 58      | 3025P    | Wire Guard   |         |            |                                      |
| 59      | 7758R    | Idle Bearing   |         |            |                                      |
| 60      | 8005R    | Idle Shaft Cap   |         |            |                                      |
| 60A     | 1308J    | Decal  |         |            |                                      |

\*STANDARD HARDWARE-PURCHASE LOCALLY

### REPAIR PARTS

ROPER 18 TWIN HYDRO GARDEN TRACTOR-MODEL NO. T8338AR

#### SEAT AND STEERING



### REPAIR PARTS

ROPER 18 TWIN HYDRO GARDEN TRACTOR-MODEL NO. T8338AR

#### SEAT AND STEERING

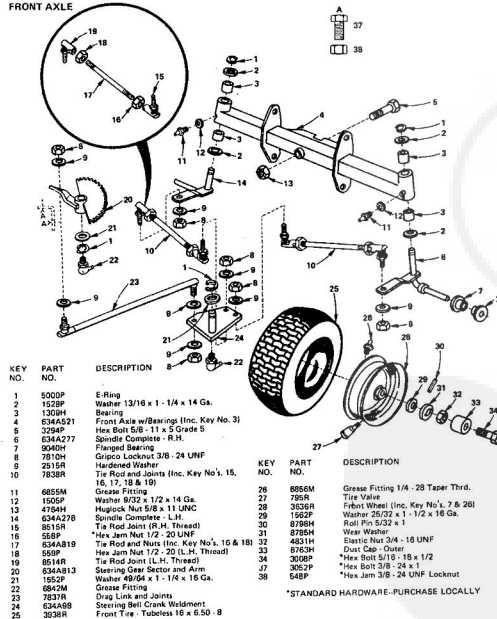
| KEY NO. | PART NO. | DESCRIPTION                          | KEY NO. | PART NO. | DESCRIPTION                             |
|---------|----------|--------------------------------------|---------|----------|---|
| 1       | 9719R    | Steering Wheel Insert                | 41      | 2932R    | Fuel Tank                               |
| 1A      | 2361     | Decal - Roper                        | 42      | 7292R    | Fuel Gauge                              |
| 2       | 3022P    | *Hex Bolt 3/8" x 16 x 1              | 43      | 815R     | Fuel Line Fitting                       |
| 3       | 1004P    | *Lockwasher 3/8"                     | 44      | 7050R    | Bracket - Fuel Tank                     |
| 4       | 1558P    | Washer 7/16 x 1 x 10 Ga.             | 45      | 2751R    | Clip - Fuel Line                        |
| 5       | 2044R    | Steering Wheel                       | 46      | 8702H    | Foot Rest Bracket                       |
| 6       | 5003P    | E-Ring                               | 49      | 8882R    | Foot Rest                               |
| 7       | 9003H    | Cap                                  | 50      | 8883R    | Insert - Clutch - Brake                 |
| 8       | 5949H    | Rubber Bushing                       | 51      | 840J     | Foot Rest Shaft                         |
| 9       | 8468R    | Bearing                              | 52      | 8738R    | Foot Rest - L.H.                        |
| 10      | 6999R    | Clamp - Fuel Line                    | 53      | 1003P    | *Lockwasher 5/16"                       |
| 11      | 7833R    | Fuel Line (Short)                    | 54      | 5384H    | Locknut 3/8" - 16 UNC                   |
| 12      | 8900R    | Decal (Attach. Clutch)               | 55      | 1578P    | Washer 3/4 x 1 - 1/8 x 11 Ga.           |
| 13      | 7904R    | Foot Rest - R.H.                     | 56      | 1560P    | Washer 17/32 x 1 - 1/2 x 11 Ga.         |
| 14      | 1527P    | Washer 21/32 x 7/8 x 16 Ga.          | 57      | 1000P    | *Lockwasher 1/2"                        |
| 15      | 5001P    | E-Ring                               | 58      | 502P     | *Hex Nut 1/2" - 13 UNC                  |
| 16      | 7895R    | Steering Shaft Spacer                | 59      | 501P     | *Hex Nut 3/8" - 16 UNC                  |
| 17      | 9858M1   | Woodruff Key 3/16 x 5/8              | 60      | 504P     | *Hex Nut 5/16" - 18 UNC                 |
| 18      | 1553P    | Washer 5/16 x 1 - 1/4 x 16 Ga.       | 61      | 1002P    | *Lockwasher 1/4"                        |
| 19      | 245J     | Decal - Roper                        | 62      | 1513P    | Washer 13/32 x 13/16 x 16 Ga.           |
| 20      | 1185J    | Spacer - Tailight Bracket            | 63      | 1505P    | Washer 9/32 x 5/8 x 16 Ga.              |
| 21      | 1557P    | Washer 3/25 x 13/16 x 11 Ga.         | 64      | 503P     | *Hex Nut 1/4" - 20 UNC                  |
| 22      | 634A77S  | Steering Shaft & Pinion              | 65      | 3003P    | *Hex Bolt 1/4" - 20 x 3/4               |
| 23      | 1519P    | Washer 15/32 x 1 x 13 Ga.            | 67      | 3010P    | *Hex Bolt 5/16" - 18 x 3/4              |
| 24      | 4785H    | Bearing                              | 68      | 3165P    | *Hex Bolt 5/16" - 18 x 7/8              |
| 25      | 4601R    | Rear Tire - Tubeless 23 x 10.00 - 12 | 69      | 3020P    | *Hex Bolt 3/8" - 16 x 7/8 Gr. 5         |
| 26      | 3635R    | Rear Wheel                           | 70      | 81P      | Carriage Bolt 1/2" - 13 x 1 - 1/4 Gr. 5 |
| 27      | 795R     | Tire Valve                           | 71      | 17P      | *Carriage Bolt 5/16" - 18 x 1           |
| 28      | 5125R    | V-Belt (Ground Drive)                | 72      | 3025P    | *Hex Bolt 3/8" - 16 x 1 - 1/4           |
| 29      | 8428R    | Fender - R.H.                        | 73      | 3023P    | *Hex Bolt 3/8" - 16 x 1                 |
| 30      | 634B14   | Hanger Weldment - Rear               | 74      | 3004P    | *Hex Bolt 1/4" - 20 x 1                 |
| 31      | 2666R    | Bracket - Tailight                   | 75      | 3021P    | *Hex Bolt 3/8" - 16 x 3/4               |
| 32      | 8545P    | Fuel Line Group                      | 76      | 5137R    | Lug Nut                                 |
| 33      | 8177R    | Fender - L.H.                        | 77      | 5137R    | *Hex Bolt 3/8" - 16 x 1-1/2             |
| 34      | 8141H    | Rear Tire Reinforcement              | 78      | 3027P    | *Hex Bolt 3/8" - 16 x 1-1/2             |
| 35      | 8404R    | Seat Spring                          | 79      | 81       | 81                                      |
| 36      | 634A523  | Seat Bracket Weldment                | 80      | 2557R    | Washer 17/32 x 1 1/8 x 16 Ga.           |
| 37      | 286J     | Seat Bracket Weldment                | 81      | 1108J    | Warranty Tag                            |
| 38      | 634A53Z  | Seat                                 | ---     | 1191J    | Owners Manual                           |
| 39      | 8744R    | Seat                                 |         |          |   |
| 40      | 2063R    | Bracket Seat Pivot                   |         |          |   |

\*STANDARD HARDWARE-PURCHASE LOCALLY

### REPAIR PARTS

ROPER 18 TWIN HYDRO GARDEN TRACTOR-MODEL NO. T8338AR

#### FRONT AXLE



| KEY NO. | PART NO. | DESCRIPTION  | KEY NO. | PART NO. | DESCRIPTION                          |
|---------|----------|--|---------|----------|--------------------------------------|
| 1       | 5000P    | E-Ring   | 26      | 8855M    | Grease Fitting 1/4" - 28 Taper Thrd. |
| 2       | 1529P    | Washer 13/16 x 1 - 1/4 x 14 Ga.                          | 27      | 795R     | Tire Valve                           |
| 3       | 1309H    | Bearing  | 28      | 3635R    | Front Wheel (Inc. Key No's. 7 & 26)  |
| 4       | 634A521  | Front Axle w/Bearings (Inc. Key No. 3)                   | 29      | 1562P    | Washer 25/32 x 1 - 1/2 x 16 Ga.      |
| 5       | 3294P    | *Hex Bolt 5/8" - 11 x 5 Grade 5                          | 30      | 8780H    | Roll Pin 5/32 x 1                    |
| 6       | 634A777  | Spline Complete - R.H.                                   | 31      | 8780H    | Wash Washer                          |
| 7       | 9040H    | Flanged Bearing  | 32      | 4831H    | Elastic Nut 3/4" - 16 UNF            |
| 8       | 7810H    | Carriage Locknut 3/8" - 24 UNF                           | 33      | 8763H    | Dust Cap - Outer                     |
| 9       | 2915R    | Hardened Washer  | 34      | 3008P    | *Hex Bolt 5/16" - 18 x 1/2           |
| 10      | 7838R    | Tire Rod and Joints (Inc. Key No's. 15, 16, 17, 18 & 19) | 35      | 2652P    | *Hex Bolt 3/8" - 24 x 1              |
| 11      | 6855M    | Grease Fitting   | 36      | 548P     | *Hex Jam 3/8" - 24 UNF Locknut       |
| 12      | 1505P    | Washer 8/32 x 1/2 x 14 Ga.                               |         |          |                                      |
| 13      | 4764H    | Huglock Nut 5/8 x 11 UNC                                 |         |          |                                      |
| 14      | 634A778  | Spline Complete - L.H.                                   |         |          |                                      |
| 15      | 8615R    | *Hex Jam Nut 1/2" - 20 UNF                               |         |          |                                      |
| 16      | 568P     | *Hex Jam Nut 1/2" - 20 UNF                               |         |          |                                      |
| 17      | 634A819  | Tie Rod Joint (R.H. Thread)                              |         |          |                                      |
| 18      | 568P     | *Hex Jam Nut 1/2" - 20 L.H. Thread                       |         |          |                                      |
| 19      | 8514R    | Tie Rod Joint (L.H. Thread)                              |         |          |                                      |
| 20      | 634A813  | Steering Gear Sector and Arm                             |         |          |                                      |
| 21      | 1552P    | Washer 8/32 x 1 - 1/8 x 16 Ga.                           |         |          |                                      |
| 22      | 6842M    | Grease Fitting   |         |          |                                      |
| 23      | 7837H    | Drag Link and Joints                                     |         |          |                                      |
| 24      | 634A88   | Steering Bell Crank Weldment                             |         |          |                                      |
| 25      | 3638R    | Front Tire - Tubeless 16 x 6.50 - 8                      |         |          |                                      |

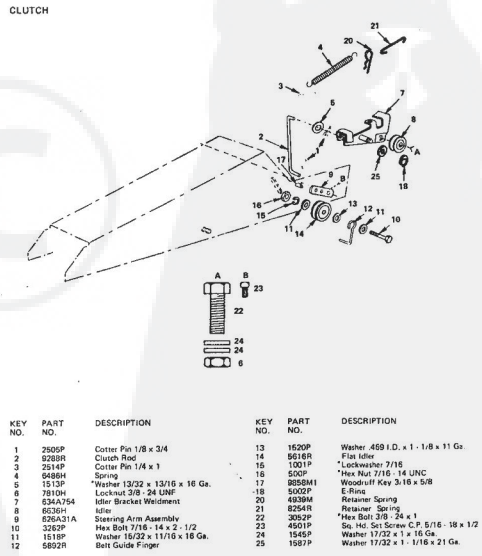
| KEY NO. | PART NO. | DESCRIPTION                          |
|---------|----------|--------------------------------------|
| 26      | 8855M    | Grease Fitting 1/4" - 28 Taper Thrd. |
| 27      | 795R     | Tire Valve                           |
| 28      | 3635R    | Front Wheel (Inc. Key No's. 7 & 26)  |
| 29      | 1562P    | Washer 25/32 x 1 - 1/2 x 16 Ga.      |
| 30      | 8780H    | Roll Pin 5/32 x 1                    |
| 31      | 8780H    | Wash Washer                          |
| 32      | 4831H    | Elastic Nut 3/4" - 16 UNF            |
| 33      | 8763H    | Dust Cap - Outer                     |
| 34      | 3008P    | *Hex Bolt 5/16" - 18 x 1/2           |
| 35      | 2652P    | *Hex Bolt 3/8" - 24 x 1              |
| 36      | 548P     | *Hex Jam 3/8" - 24 UNF Locknut       |

\*STANDARD HARDWARE-PURCHASE LOCALLY

### REPAIR PARTS

ROPER 18 TWIN HYDRO GARDEN TRACTOR-MODEL NO. T8338AR

#### CLUTCH



| KEY NO. | PART NO. | DESCRIPTION                    | KEY NO. | PART NO. | DESCRIPTION                              |
|---------|----------|--------------------------------|---------|----------|--|
| 1       | 2905P    | Cotter Pin 1/8 x 3/4           | 13      | 1520P    | Washer 459 I.D. x 1 - 1/8 x 11 Ga.       |
| 2       | 9288R    | Clutch Rod                     | 14      | 8616R    | Pin Inter                                |
| 3       | 2314P    | Cotter Pin 1/4 x 1             | 15      | 1001P    | *Lockwasher 7/16"                        |
| 4       | 6486H    | Spring                         | 16      | 500P     | *Hex Nut 7/16" - 14 UNC                  |
| 5       | 3513P    | Washer 3/32 x 13/16 x 16 Ga.   | 17      | 8858M1   | Woodruff Key 3/8 x 5/8                   |
| 6       | 7810H    | Locknut 3/8" - 24 UNF          | 18      | 3002P    | E-Ring                                   |
| 7       | 634A754  | Idler Bracket Weldment         | 19      | 4689M    | Retainer Spring                          |
| 8       | 6530H    | Idler                          | 21      | 8254R    | Retainer Spring                          |
| 9       | 634A754  | Steering Arm Assembly          | 22      | 2905P    | *Hex Bolt 1/8" - 24 x 1                  |
| 10      | 3282P    | *Hex Bolt 7/16" - 14 x 2 - 1/2 | 23      | 4501P    | Std. Hd. Set Screw C.P. 5/16" - 18 x 1/2 |
| 11      | 1518P    | Washer 15/32 x 1 1/16 x 16 Ga. | 24      | 1546P    | Washer 17/32 x 1 x 16 Ga.                |
| 12      | 6862R    | Ball Guide Finger              | 25      | 1587P    | Washer 17/32 x 1 - 1/16 x 21 Ga.         |

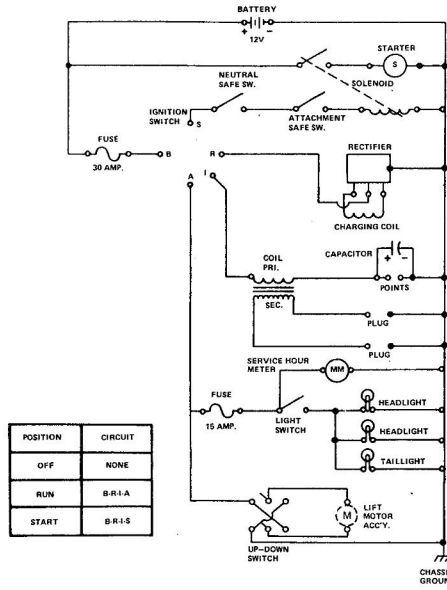
\*STANDARD HARDWARE-PURCHASE LOCALLY



**REPAIR PARTS**

ROPER 18 TWIN HYDRO GARDEN TRACTOR-MODEL NO. T8338AR

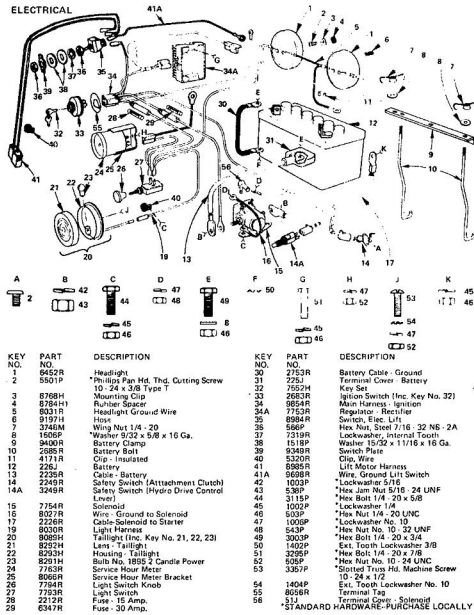
**SCHEMATIC DIAGRAM**



**REPAIR PARTS**

ROPER 18 TWIN HYDRO GARDEN TRACTOR-MODEL NO. T8338AR

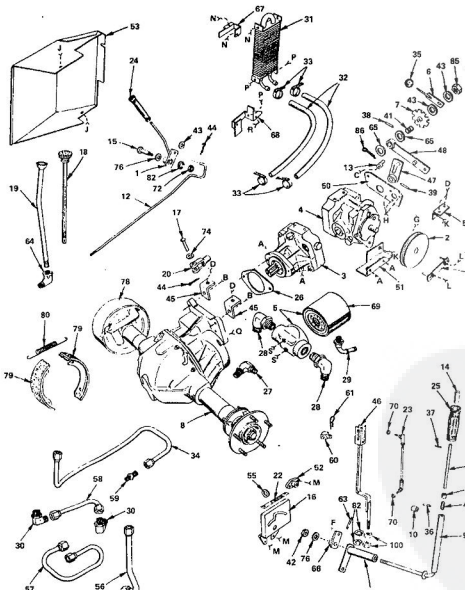
**ELECTRICAL**



**REPAIR PARTS**

ROPER 18 TWIN HYDRO GARDEN TRACTOR-MODEL NO. T8338AR

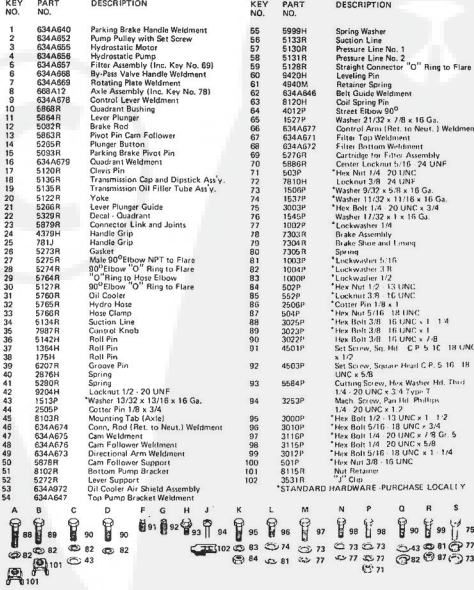
**HYDROSTATIC AXLE, PUMP AND MOTOR**



**REPAIR PARTS**

ROPER 18 TWIN HYDRO GARDEN TRACTOR-MODEL NO. T8338AR

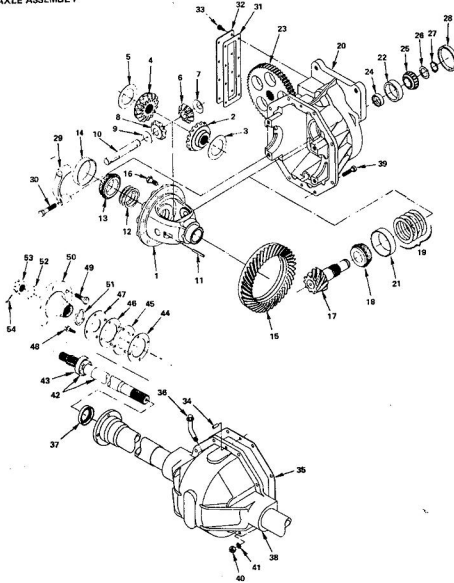
**HYDROSTATIC AXLE, PUMP AND MOTOR**



**REPAIR PARTS**

ROPER 18 TWIN HYDRO GARDEN TRACTOR--MODEL NO. T8338AR

AXLE ASSEMBLY



**REPAIR PARTS**

ROPER 18 TWIN HYDRO GARDEN TRACTOR--MODEL NO. T8338AR

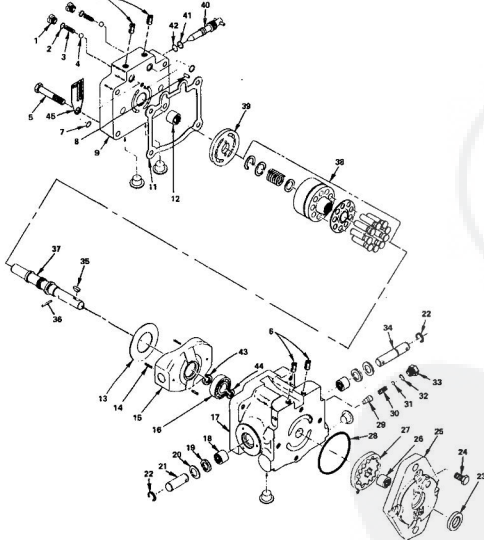
AXLE ASSEMBLY

| KEY NO.     | PART NO. | DESCRIPTION                                   |
|-------------|----------|---|
| 1           | 7164R    | Diff. Case                                    |
| 2 & 4       | 7165R    | Diff. Gear (Set of Two)                       |
| 3 & 5       | 7166R    | Diff. Gear Thrust Washer (Set of Two)         |
| 6 & 8       | 7166R    | Diff. Pinion Mate (Set of Two)                |
| 7 & 9       | 7170R    | Diff. Pinion Thrust Washer                    |
| 10          | 7167R    | Diff. Shaft (Pin. Mate)                       |
| 11          | 7168R    | Diff. Shaft Lock Pin                          |
| 12          | 7202R    | Diff. Adj. Shim (Set of Four .003 to .020)    |
| 13          | 7207R    | Big. Cone                                     |
| 14          | 7206R    | Big. Cone                                     |
| 15 & 17     | 7171R    | Gear and Pinion Assembly                      |
| 16          | 7172R    | Drive Sprocket                                |
| 18          | 7201R    | Roller Big. Cone                              |
| 19          | 7196R    | Pin. Big. Shim (Set of Four .003 to .020)     |
| 20, 29 & 30 | 7173R    | Upper Htg. Sub. Assembly (Inc. Key No. 29)    |
| 30          | 3299P    | Hex Hd. Cap Screw 7/16. 14 N.C. x 2 Grade 5   |
| 21          | 7200R    | Roller Big. Cone                              |
| 22          | 7194R    | Big. Cone                                     |
| 23          | 7208R    | Sprock. Gear                                  |
| 24          | 7185R    | Pin. Big. Spacer                              |
| 25          | 7193R    | Big. Cone                                     |
| 26          | 7179R    | Pin. Big. Shim (Set of Fourteen .031 to .057) |
| 27          | 7178R    | Snap Ring                                     |
| 28          | 7177R    | Wash. Plug                                    |
| 31          | 7174R    | Gear Cover Gasket                             |
| 32          | 7175R    | Gear Cover                                    |
| 33          | 7176R    | Hex Top Screw                                 |
| 34          | 7217R    | Down Pin                                      |
| 35          | 7210R    | Housing Gasket                                |
| 36          | 7214R    | Vent. Tube Assembly                           |
| 37          | 7218R    | Oil Seal                                      |
| 38          | 7215R    | Lower Htg. and Tube Assembly                  |
| 39          | 3303P    | Hex Bolt 5/16. 24 NF x 1 1/4 Grade 5          |
| 40          | 518P     | Hex Nut 5/16. 24 NF                           |
| 41          | 1003P    | Lockwasher 5/16                               |
| 42 & 43     | 7209R    | Axle Shaft and Bearing (Inc. Key No. 43)      |
| 43          | 7211R    | Wheel Bearing                                 |
| 44, 46 & 47 | 7180R    | Wheel Bearing Gasket (Set of Three)           |
| 45          | 7181R    | Wheel Bearing Retainer                        |
| 48          | 7213R    | Bolt  |
| 49          | 7216R    | Wheel Bolt                                    |
| 50          | 7212R    | Axle Shaft Flange Assembly                    |
| 51          | 7218R    | Felt Seal                                     |
| 52          | 7220R    | Wheel End Washer                              |
| 53          | 7221R    | Wheel End Nut                                 |
| 54          | 7222R    | Wheel End Cotter Pin                          |

**REPAIR PARTS**

ROPER 18 TWIN HYDRO GARDEN TRACTOR--MODEL NO. T8338AR

HYDROSTATIC PUMP ASSEMBLY--MODEL NO'S. 15-2023 AND 15-2084



**REPAIR PARTS**

ROPER 18 TWIN HYDRO GARDEN TRACTOR--MODEL NO. T8338AR

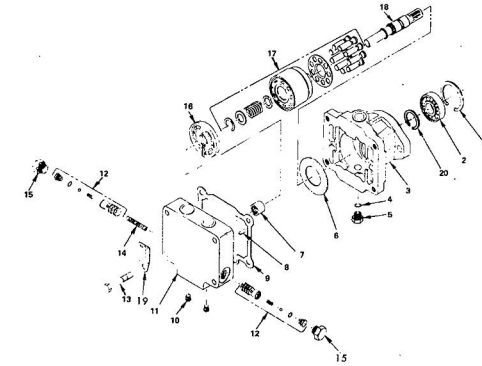
HYDROSTATIC PUMP ASSEMBLY--MODEL NO'S. 15-2023 AND 15-2084

| KEY NO. | PART NO. | DESCRIPTION  |
|---------|----------|--|
| 1,2,3   | AN104    | Check Valve Kit                                    |
| 4       | 7224R    | Hex Head Cap Screw                                 |
| 5       | 7223R    | Pop Plug   |
| 7       | 7226R    | O' Ring  |
| 8       | 7227R    | Headless Str. Pin                                  |
| 9       | 7228R    | End Cap  |
| 11      | 7228R    | Gasket   |
| 12      | 7230R    | Needle Bearing                                     |
| 13      | 7231R    | Thrust Plate                                       |
| 14      | 7232R    | Coiled Spring Pin                                  |
| 15      | 7233R    | Swashplate   |
| 16      | 7234R    | Roll Bearing                                       |
| 17      | 1601J    | Housing (For Pump Model No. 15 - 2084 ONLY)        |
| 17      | 7235R    | Housing (For Pump Model No. 15 - 2023 ONLY)        |
| 18      | 7238R    | Needle Bearing                                     |
| 18      | 7237R    | Lip Seal   |
| 20      | 7238R    | Washer   |
| 21      | 7238R    | Transition Shaft                                   |
| 22      | 7240R    | Retaining Ring                                     |
| 23      | 7241R    | Lip Seal   |
| 24      | 7242R    | Hex Head Cap Screw                                 |
| 25      | 7243R    | Charge Pump Housing                                |
| 26      | 7244R    | Needle Bearing                                     |
| 27      | 7245R    | Gasket Assembly                                    |
| 28      | 7246R    | O' Ring  |
| 29      | 7247R    | Relief Valve Cone                                  |
| 30      | 7248R    | Relief Valve Spring                                |
| 31      | 7249R    | Spum Back  |
| 32      | 7250R    | O' Ring  |
| 33      | 1603J    | Hex Head Plug (For Pump Model No. 15 - 2084 ONLY)  |
| 33      | 7251R    | Hex Head Plug (For Pump Model No. 15 - 2023 ONLY)  |
| 34      | 7252R    | Control Shaft                                      |
| 35      | 7253R    | Woodruff Key                                       |
| 36      | 7254R    | Head Str. Pin                                      |
| 37      | 1602J    | Shaft (For Pump Model No. 15 - 2084 ONLY)          |
| 37      | 7255R    | Shaft (For Pump Model No. 15 - 2023 ONLY)          |
| 38      | 7256R    | Cyl. Block Kit                                     |
| 39      | 7257R    | Valve Plate  |
| 40      | 7258R    | By-Pass Valve                                      |
| 41      | 7259R    | Back Up Ring                                       |
| 42      | 7260R    | O' Ring  |
| 43      | 1604J    | Retaining Ring (For Pump Model No. 15 - 2084 ONLY) |
| 44      | 1605J    | Retaining Ring (For Pump Model No. 15 - 2084 ONLY) |
| 45      | .....    | Model Part   |
| .....   | 634A556  | Complete Pump Assembly                             |

### REPAIR PARTS

ROPER 18 TWIN HYDRO GARDEN TRACTOR-MODEL NO. T833BAR

#### HYDROSTATIC MOTOR ASSEMBLY



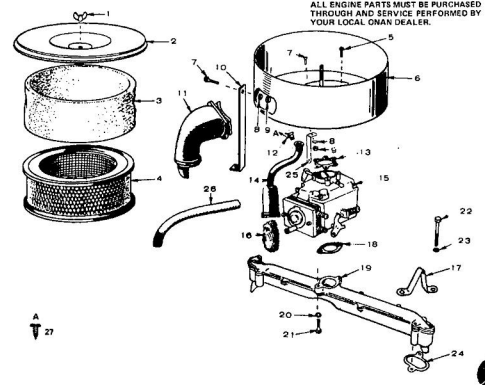
| KEY NO. | PART NO. | DESCRIPTION      | KEY NO. | PART NO. | DESCRIPTION                |
|---------|----------|------------------|---------|----------|----------------------------|
| 1       | 7262R    | Retaining Ring   | 11      | 7272R    | End Cap                    |
| 2       | 7263R    | Ball Bearing     | 12      | 7271R    | Accelerator Valve Assembly |
| 3       | 7264R    | Motor Case       | 13      | 7278R    | Hex Head Cap Screw         |
| 4 & 6   | 7265R    | Hex Hd. Plug     | 14      | 7275R    | Accelerator Spring         |
| 5       | 7231R    | Thrust Plate     | 15      | 7230R    | Hex Head Plug              |
| 7       | 7232R    | Roller Bearing   | 16      | 7273R    | Valve Plate                |
| 8       | 7272R    | Hdless. Str. Pin | 17      | 7256R    | Cyl. Block Kit             |
| 9       | 7229R    | Gasket           | 18      | 7278R    | Main Shaft                 |
| 10      | 7273R    | Pipe Plug        | 19      | .....    | Model Plate                |
|         |          |                  | 20      | 2241     | Retaining Ring             |
|         |          |                  | .....   | 63AA555  | Complete Motor Assembly    |

### REPAIR PARTS

ROPER 18 TWIN HYDRO GARDEN TRACTOR-MODEL NO. T833BAR

ONAN ENGINE-MODEL NO. B48M-GA018/3475A

#### FUEL SYSTEM GROUP



ALL ENGINE PARTS MUST BE PURCHASED THROUGH AND SERVICE PERFORMED BY YOUR LOCAL ONAN DEALER.

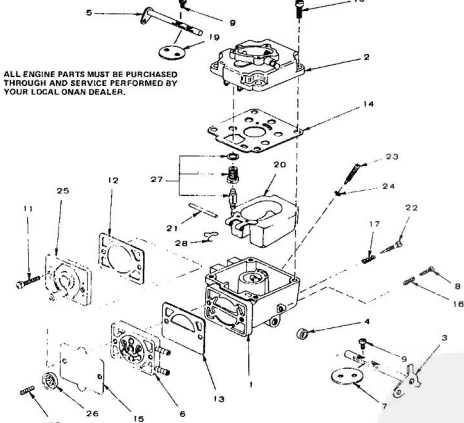
| KEY NO. | PART NO. | DESCRIPTION                                 | KEY NO. | PART NO. | DESCRIPTION                               |
|---------|----------|---|---------|----------|---|
| 1       | 800-0020 | Wing Nut (1/4" - 20)                        | 15      | 142-0568 | Carburetor                                |
| 2       | 140-1189 | Air Cleaner Cover                           | 16      | 123-0865 | Filter                                    |
| 3       | 140-1259 | Air Cleaner Wrapper                         | 17      | 403-1021 | Lifting Bracket                           |
| 4       | 140-1216 | Air Cleaner Element                         | 18      | 145-0030 | Gasket                                    |
| 5       | 815-0463 | Machine Screw, Slotted Head (No. 10 - 5/8") | 18      | 184-1468 | Intake Manifold                           |
| 6       | 140-1213 | Air Cleaner Housing                         | 19      | 800-0023 | Cap Screw (1/4" - 20 x 1 - 3/8")          |
| 7       | 800-0023 | Cap Screw (1/4" - 20 x 1 1/2")              | 20      | 800-0023 | Cap Screw (1/4" - 20 x 1 - 3/8")          |
| 8       | 863-0013 | Lockwasher (1/4")                           | 21      | 800-0033 | 5/16" - 18 x 2"                           |
| 8       | 863-0011 | Cap Screw (1/4" - 20 x 1 1/2")              | 21      | 800-0034 | 5/16" - 18 x 2" 1/4"                      |
| 10      | 140-1198 | Hex Nut (1/4" - 20)                         | 23      | 800-0045 | Lockwasher (5/16")                        |
| 11      | 140-1189 | Support                                     | 24      | 184-1744 | Gasket                                    |
| 12      | 518-0028 | Air Intake Tube                             | 24      | 140-1313 | Gasket                                    |
| 13      | 140-1215 | Cable Clip                                  | 25      | 140-1313 | Support                                   |
| 14      | 123-1277 | Breather Tube                               | 26      | 503-0740 | Fuel Hose                                 |
|         |          |   | 27      | 550P     | Tub Screw Sl. Pan Hd. No. 8 x 3/4 Type A8 |

### REPAIR PARTS

ROPER 18 TWIN HYDRO GARDEN TRACTOR-MODEL NO. T833BAR

ONAN ENGINE-MODEL NO. B48M-GA018/3475A

#### CARBURETOR PARTS GROUP



ALL ENGINE PARTS MUST BE PURCHASED THROUGH AND SERVICE PERFORMED BY YOUR LOCAL ONAN DEALER.

| KEY NO. | PART NO. | DESCRIPTION     | KEY NO. | PART NO. | DESCRIPTION                      |
|---------|----------|-----------------|---------|----------|----------------------------------|
| 1       | 142-0574 | Body            | 17      | 142-0583 | *Spring                          |
| 2       | 142-0573 | Body            | 18      | 142-0545 | *Spring                          |
| 3       | 142-0574 | Throttle Shaft  | 19      | 142-0546 | Fly                              |
| 4       | 142-0525 | Idle            | 20      | 142-0597 | Pin                              |
| 5       | 142-0535 | Choke Shaft     | 21      | 142-0548 | *Shaft                           |
| 6       | 142-0537 | *Valve Assembly | 22      | 142-0016 | Idle Needle                      |
| 7       | 142-0538 | Fly             | 23      | 142-0549 | High Speed Screw                 |
| 8       | 142-0504 | Trim Screw      | 24      | 142-0550 | *Screw                           |
| 9       | 142-0334 | *Screw          | 25      | 142-0551 | Cover                            |
| 10      | 142-0539 | Screw           | 25      | 142-0552 | *Plate                           |
| 11      | 142-0540 | Screw           | 27      | 142-0553 | *Valve Assembly                  |
| 12      | 142-0541 | Gasket          | 28      | 142-0554 | Retaining Clip                   |
| 13      | 142-0542 | Gasket          | .....   | 142-0571 | Gasket Kit (Inc. Parts Marked *) |
| 14      | 142-0572 | Gasket          | .....   | 142-0570 | Repair Kit (Inc. Parts Marked *) |
| 15      | 142-0555 | *Nuts/Plugs     |         |          |                                  |
| 16      | 142-0544 | Spring          |         |          |                                  |

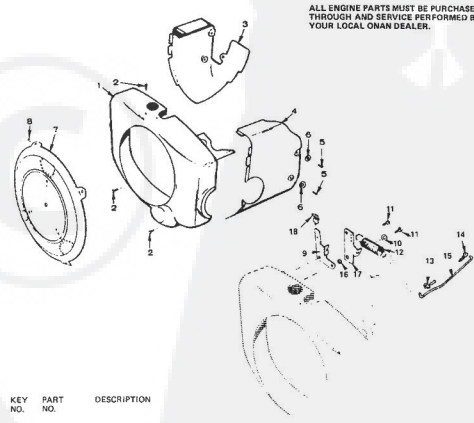
\*Parts included in 142-0571 Gasket Kit.  
\*Parts included in 142-0570 Repair Kit.

### REPAIR PARTS

ROPER 18 TWIN HYDRO GARDEN TRACTOR-MODEL NO. T833BAR

ONAN ENGINE-MODEL NO. B48M-GA018/3475A

#### BLOWER HOUSING AND GOVERNOR GROUP



ALL ENGINE PARTS MUST BE PURCHASED THROUGH AND SERVICE PERFORMED BY YOUR LOCAL ONAN DEALER.

| KEY NO. | PART NO. | DESCRIPTION   |
|---------|----------|---|
| 1       | 134-3567 | Blower Housing                                      |
| 2       | 815-0281 | Cap Screw (1/4" - 20 x 7/16")                       |
| 3       | 134-2898 | Cylinder Air Housing, Left Side                     |
| 4       | 134-2818 | Cylinder Air Housing, Right Side                    |
| 5       | 815-0290 | Cap Screw (1/4" - 20 x 5/8")                        |
| 6       | 528-0021 | Flat Washer (1 7/8" I.D. x 3/4" O.D. x 1/16" Thick) |
| 7       | 134-2313 | Guard   |
| 8       | 815-0378 | Cap Screw, W/EI (No. 14 x 1/2")                     |
| 9       | 153-1343 | Bracket   |
| 10      | 528-0214 | Flat Washer (1 7/8" I.D. x 1/2" O.D. x 1/16" Thick) |
| 11      | 815-0436 | Cap Screw (1/4" - 20 x 1/2")                        |
| 12      | 150-1114 | Spring  |
| 13      | 870-0278 | Retainer Clip                                       |
| 14      | 518-0004 | Retainer Clip                                       |
| 15      | 150-1360 | Rod   |
| 16      | 150-1268 | Washer  |
| 17      | 150-1516 | Arm   |
| 18      | 518-0176 | Clip  |

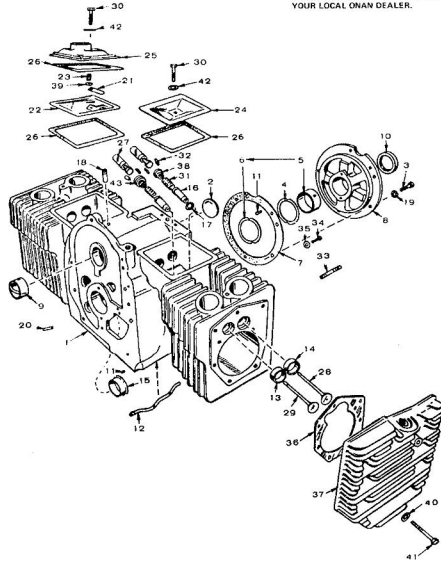


### REPAIR PARTS

ROPER 18 TWIN HYDRO GARDEN TRACTOR-MODEL NO. T8338AR  
ONAN ENGINE-MODEL NO. B48M-GA018/3475A

#### CYLINDER BLOCK GROUP

ALL ENGINE PARTS MUST BE PURCHASED THROUGH AND SERVICE PERFORMED BY YOUR LOCAL ONAN DEALER.



### REPAIR PARTS

ROPER 18 TWIN HYDRO GARDEN TRACTOR-MODEL NO. T8338AR  
ONAN ENGINE-MODEL NO. B48M-GA018/3475A

#### CYLINDER BLOCK GROUP

| KEY NO. | PART NO.     | DESCRIPTION                      | KEY NO.     | PART NO.   | DESCRIPTION  |  |
|---------|--------------|----------------------------------|-------------|--|--|--|
| 1       | 110 2590     | Cylinder Block Assembly          | 21          | 123 1175   | Rivet  |  |
| 2       | 537 0048     | *Plug                            | 22          | 123 1173   | Barble   |  |
| 3       | 800 0501     | *Cap Screw (3/8 - 16 x 1 - 1/4") | 23          | 123 1174   | Spring   |  |
| 4       | 104 0775     | *Shim (.025" Thick)              | 24          | 110 1870   | Valve Cover  |  |
| 5       | 101 0450     | Standard                         | 25          | 110 2271   | Valve Cover  |  |
| 6       | 101 0450 02  | .002" Undersize                  | 26          | 110 1297   | Gasket   |  |
| 7       | 101 0450 10  | .010" Undersize                  | 27          | 115 0006   | *Standard  |  |
| 8       | 101 0450 20  | .020" Undersize                  | 115 0005 01 | .001" Oversize   |  |  |
| 9       | 101 0450 30  | .030" Undersize                  | 115 0006 02 | .002" Oversize   |  |  |
| 10      | 101 0450 40  | .040" Undersize                  | 115 0006 05 | .005" Oversize   |  |  |
| 11      | 101 0450 50  | .050" Undersize                  | 110 1805    | Intake Valve   |  |  |
| 12      | 101 0450 60  | .060" Undersize                  | 29          | 110 1800   | Exhaust Valve  |  |
| 13      | 101 0450 70  | .070" Undersize                  | 30          | 800 0010   | Cap Screw (1/4 - 20 x 3/4")                                  |  |
| 14      | 101 0450 80  | .080" Undersize                  | 31          | 110 0539   | Valve Spring   |  |
| 15      | 101 0450 90  | .090" Undersize                  | 32          | 110 0538   | Valve Spring Lock  |  |
| 16      | 101 0450 100 | .100" Undersize                  | 33          | 629 0820   | Shut   |  |
| 17      | 101 0450 110 | .110" Undersize                  | 34          | 609 0046   | Cap Screw (3/8 - 16 x 1/2")                                  |  |
| 18      | 101 0450 120 | .120" Undersize                  | 35          | 626 0005   | Flat Washer, Copper (25/64" I.D. x 9/16" O.D. x 1/16" Thick) |  |
| 19      | 101 0450 130 | .130" Undersize                  | 36          | 110 2287   | Head Gasket  |  |
| 20      | 101 0450 140 | .140" Undersize                  | 37          | CYLINDER HEAD  |  |  |
|         |              |                                  | 110 2564    | Right Side   |  |  |
|         |              |                                  | 110 2563    | Left Side  |  |  |
|         |              |                                  | 110 0504    | Rock Cap - Exhaust Valves                                    |  |  |
|         |              |                                  | 38          | 526 0016   | Flat Washer (17/64" I.D. x 5/8" O.D. x 1/16" Thick)          |  |
|         |              |                                  | 39          | 526 0122   | Flat Washer (11/32" I.D. x 23/32" O.D. x 10 Ga.)             |  |
|         |              |                                  | 40          | 526 0122   | Flat Washer (11/32" I.D. x 23/32" O.D. x 10 Ga.)             |  |
|         |              |                                  | 41          | CAP SCREW SPECIAL  |  |  |
|         |              |                                  | 800 0540    | 5/16 - 18 x 1 - 5/8"   |  |  |
|         |              |                                  | 800 0541    | 5/16 - 18 x 2"   |  |  |
|         |              |                                  | 526 0063    | Flat Washer, Copper (17/64" I.D. x 7/16" O.D. x 1/32" Thick) |  |  |
|         |              |                                  | 43          | 110 0893   | Retainers - Intake Valves                                    |  |
|         |              |                                  | 160 1213    | Ignition Tube Kit  |  |  |
|         |              |                                  | 160 0140    | Carbon Removal Gasket Kit                                    |  |  |
|         |              |                                  | 160 0141    | Engine Gasket Kit  |  |  |

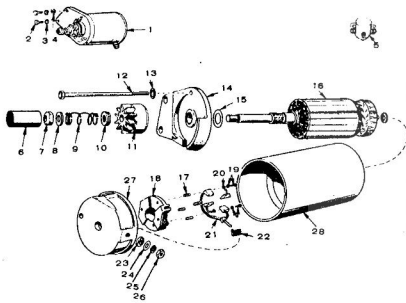
\*Parts Included in Cylinder Block Assembly

### REPAIR PARTS

ROPER 18 TWIN HYDRO GARDEN TRACTOR-MODEL NO. T8338AR  
ONAN ENGINE-MODEL NO. B48M-GA018/3475A

#### STARTER GROUP

ALL ENGINE PARTS MUST BE PURCHASED THROUGH AND SERVICE PERFORMED BY YOUR LOCAL ONAN DEALER.



| KEY NO. | PART NO. | DESCRIPTION                                       | KEY NO. | PART NO. | DESCRIPTION                          |
|---------|----------|---|---------|----------|--------------------------------------|
| 1       | 191 0933 | Starting Motor, Complete                          | 15      | 191 1038 | Washer                               |
| 2       | 800 0028 | Cap Screw (5/16 - 18 x 1")                        | 16      | 191 1039 | Armature                             |
| 3       | 850 0045 | Lockwasher (5/16")                                | 17      | 8        | *Spring                              |
| 4       | 526 0113 | Flat Washer (11/32" I.D. x 1" O.D. x 3/32" Thick) | 18      | 8        | *Brush                               |
| 5       | 307 1031 | Starting Solenoid                                 | 19      | 8        | *Screw and Lockwasher                |
| 6       | 191 1024 | Dust Cover  | 20      | 8        | *Stud and Brush Assembly             |
| 7       | 191 1045 | Stop Nut  | 21      | 8        | *Brush                               |
| 8       | 191 1046 | Washer  | 22      | 8        | *Insulation Washer                   |
| 9       | 191 1025 | Spring  | 23      | 8        | *Flat Washer                         |
| 10      | 191 1047 | Sleeve  | 24      | 8        | *Lockwasher                          |
| 11      | 191 1036 | Drive Assembly                                    | 25      | 8        | *Nut                                 |
| 12      | 191 1048 | Cap Screw   | 26      | 8        | *Housing                             |
| 13      | 850 0040 | Lockwasher (1/4")                                 | 27      | 191 1040 | Cap Assembly (Inc. Parts Marked +)   |
| 14      | 191 1037 | Cap Assembly                                      | 28      | 191 1041 | Repair Package (Inc. Parts Marked *) |

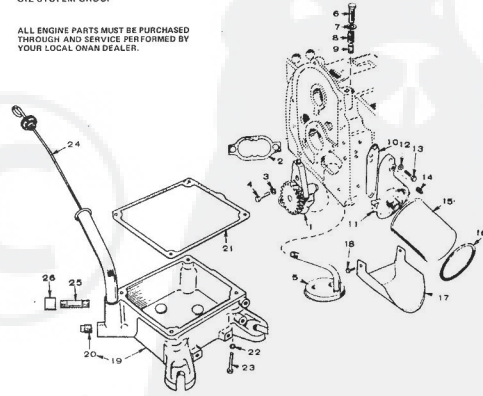
\*Parts included in 191 1040 Cap Assembly  
\*Parts included in 191 1041 Repair Package  
& Not Sold Separately

### REPAIR PARTS

ROPER 18 TWIN HYDRO GARDEN TRACTOR-MODEL NO. T8338AR  
ONAN ENGINE-MODEL NO. B48M-GA018/3475A

#### OIL SYSTEM GROUP

ALL ENGINE PARTS MUST BE PURCHASED THROUGH AND SERVICE PERFORMED BY YOUR LOCAL ONAN DEALER.



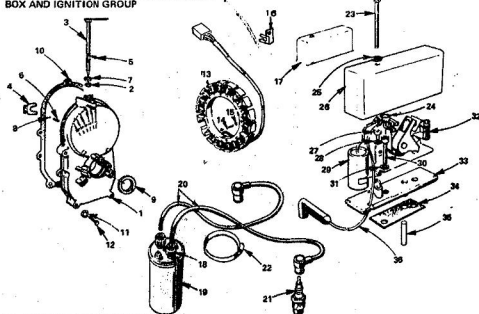
| KEY NO. | PART NO. | DESCRIPTION  | KEY NO. | PART NO. | DESCRIPTION                         |
|---------|----------|--|---------|----------|-------------------------------------|
| 1       | 120 0401 | Oil Pump (Components Not Sold Separately)                    | 13      | 800 0028 | Cap Screw (5/16 - 18 x 1")          |
| 2       | 120 0101 | Oil Pump Gasket Kit  | 14      | 605 0057 | Plug                                |
| 3       | 850 0509 | Lockwasher (1/4")  | 15      | 122 0338 | Oil Filter                          |
| 4       | 800 0007 | Cap Screw (1/4 - 20 x 1")                                    | 16      | 122 0347 | Air Seal, Filter to Housing         |
| 5       | 120 0113 | Intake Gasket  | 17      | 122 0380 | Oil Drain                           |
| 6       | 801 0050 | Cap Screw (3/8 - 24 x 1")                                    | 18      | 815 0184 | Cap Screw W/ET (No. 10 - 32 x 3/8") |
| 7       | 526 0056 | Flat Washer, Copper (25/64" I.D. x 9/16" O.D. x 1/16" Thick) | 19      | 102 0741 | Oil Base                            |
| 8       | 120 0140 | Spring   | 20      | 605 0056 | Plug                                |
| 9       | 120 0140 | Spring   | 21      | 102 0693 | Gasket                              |
| 10      | 120 0140 | Spring   | 22      | 800 0050 | Lockwasher (3/8")                   |
| 11      | 122 0321 | Gasket   | 23      | 800 0556 | Cap Screw (3/8 - 16 x 2 - 1/2")     |
| 12      | 526 0005 | Flat Washer, Copper (21/64" I.D. x 9/16" O.D. x 1/16" Thick) | 24      | 123 1252 | Cap and Indicator                   |
|         |          |  | 25      | 505 0176 | Pure Nipple (1/2 x 3 - 1/2")        |
|         |          |  | 26      | 505 0158 | Pure Cap (1/2")                     |

Click Here to upgrade to Unlimited Pages and Expanded Features

### REPAIR PARTS

ROPER 18 TWIN HYDRO GARDEN TRACTOR-MODEL NO. T8338AR  
ONAN ENGINE-MODEL NO. B48M-GA018/3475A

GEARCASE, CHARGING STATOR, BREAKER BOX AND IGNITION GROUP



ALL ENGINE PARTS MUST BE PURCHASED THROUGH AND SERVICE PERFORMED BY YOUR LOCAL ONAN DEALER.

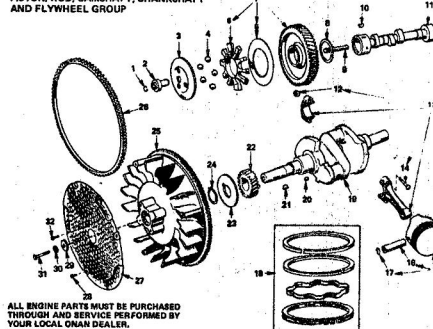
| KEY NO. | PART NO.         | DESCRIPTION   | KEY NO. | PART NO. | DESCRIPTION   |
|---------|------------------|---|---------|----------|---|
| 1       | 103-0408         | Gearcase Assembly (Inc. Parts Marked *)                     | 22      | 803-0311 | Coil Clamp  |
| 2       | 810-0106         | xBearing  | 23      | 812-0108 | *Machine Screw, Round Head (No. 10 - 24 x 1-1/2")     |
| 3       | 160-1470         | xShaft and Arm  | 24      | 806-0066 | *"Reinater," O" Ring                                  |
| 4       | 160-1187         | xYoke   | 25      | 808-0008 | *Flat Washer (15/16" I.D. x 7/16" O.D. x 1/32" Thick) |
| 5       | 815-0548         | xPin Head Screw (8 - 32 x 3/8")                             | 26      | 180-1232 | *Cover (Inc. Parts Marked *)                          |
| 6       | 818-0130         | xDowel Pin  | 27      | 815-0358 | *Cap Screw (No. 8 - 32 x 5/16") - Slotted             |
| 7       | 809-0940         | xGasket   | 28      | 805-0235 | *Lockwasher (No. 8)                                   |
| 8       | 810-0014         | xBall   | 29      | 812-0188 | *Condenser  |
| 9       | 809-0940         | xGasket   | 30      | 802-0834 | *Cap Screw (1/4 - 20 x 3/4") - Socket Head            |
| 10      | 103-0408         | Gearcase  | 31      | 805-0038 | *Lockwasher (1/4")                                    |
| 11      | CAP SCREW        | 809-0232  | 32      | 180-1103 | *Pulley Set   |
|         |                  | 810-0232  | 33      | 160-1219 | Base  |
| 12      | 808-0545         | Flat Washer, Copper (3/16" I.D. x 8/16" O.D. x 1/16" Thick) | 34      | 180-1150 | *Gasket   |
| 13      | 181-1102         | Round Head Screw (No. 10 - 32 x 1-1/2")                     | 35      | 180-1161 | Plunger   |
| 14      | 813-0188         | Lockwasher (No. 10)   | 36      | 338-2132 | Lead  |
| 15      | 850-0203         | Bracket Alternator Lead                                     | 37      | 180-1213 | Tune-Up Kit (Includes points and condenser)           |
| 16      | 160-1510         | Breaker Box (Inc. Parts Marked *)                           |         |          |   |
| 17      | 167-0188         | Bracket Alternator Lead                                     |         |          |   |
| 18      | 166-0604         | Terminal Cap (Part of Coil)                                 |         |          |   |
| 19      | 166-0606         | Ignition Coil   |         |          |   |
| 20      | FRANK PLUG CABLE | 167-1596  |         |          |   |
|         |                  | 167-1596  |         |          |   |
| 21      | 167-0237         | Spark Plug  |         |          |   |

\*Parts included in 160-1210 Breaker Box  
\*Parts included in 160-1223 Breaker Box  
\*Parts included in 103-0408 Gearcase Assembly

### REPAIR PARTS

ROPER 18 TWIN HYDRO GARDEN TRACTOR-MODEL NO. T8338AR  
ONAN ENGINE-MODEL NO. B48M-GA018/3475A

PISTON, ROD, CAMSHAFT, CRANKSHAFT AND FLYWHEEL GROUP



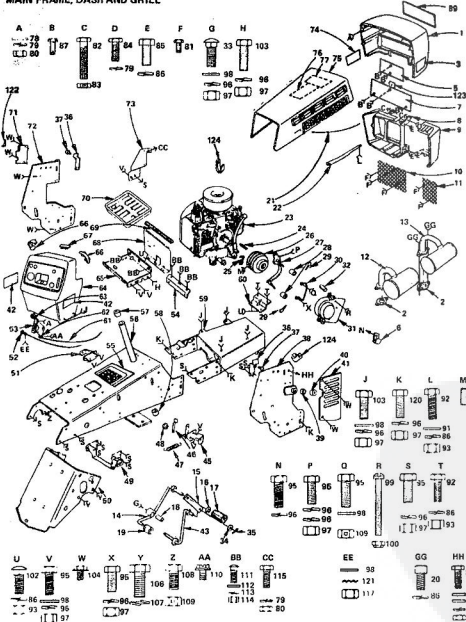
ALL ENGINE PARTS MUST BE PURCHASED THROUGH AND SERVICE PERFORMED BY YOUR LOCAL ONAN DEALER.

| KEY NO. | PART NO.                                | DESCRIPTION                      | KEY NO. | PART NO.         | DESCRIPTION  |
|---------|---|----------------------------------|---------|------------------|--|
| 1       | 160-0078                                | Retaining Ring                   | 16      | 112-0122         | Piston Pin   |
| 2       | 160-1019                                | Hub                              | 17      | 818-0211         | Retaining Ring                                       |
| 3       | 160-1520                                | Cup                              | 18      | RING SET, PISTON |  |
| 4       | 810-0015                                | Plyball                          | 19      | 113-0183         | Standard   |
| 5       | 160-1267                                | Spacer                           | 20      | 113-0188-06      | .006" Oversize                                       |
| 6       | 160-0077                                | Plate                            | 21      | 113-0188-10      | .010" Oversize                                       |
| 7       | 106-0232                                | Gear (Includes Spacer and Plate) | 22      | 113-0188-20      | .020" Oversize                                       |
| 8       | 105-0008                                | Thrust Washer                    | 23      | 113-0188-30      | .030" Oversize                                       |
| 9       | 160-0078                                | Denar Pin                        | 24      | 113-0188-40      | .040" Oversize                                       |
| 10      | 818-0201                                | Camshaft Gear Key                | 25      | 104-0022         | Camshaft   |
| 11      | 105-0422                                | Camshaft (Includes Center Pin)   | 26      | 818-0001         | Key, Crankshaft Gear                                 |
| 12      | 810-0202                                | Hex Nut, Locking (9/16 - 24)     | 27      | 815-0227         | Key, Flywheel  |
| 13      | CONNECTING ROD (Inc. Key No. 12 and 14) |                                  | 28      | 104-0022         | Gear   |
|         |   |                                  | 29      | 104-0043         | Gear Ringing Washer                                  |
|         |   |                                  | 30      | 816-0014         | Retaining Ring                                       |
|         |   |                                  | 31      | 134-3506         | Flywheel (Inc. Ring Gear and Stator)                 |
|         |   |                                  | 32      | 104-0779         | Race Gear  |
|         |   |                                  | 33      | 134-3508         | Guard  |
|         |   |                                  | 34      | 850-0400         | Machine Screw, Truss Head                            |
|         |   |                                  | 35      | 826-0017         | Flat Washer (15/32" I.D. x 1-1/4" O.D. x 1/4" Thick) |
|         |   |                                  | 36      | 880-0056         | Lockwasher (7/16")                                   |
|         |   |                                  | 37      | 104-0170         | Cap Screw (7/16 - 14 x 4")                           |

### REPAIR PARTS

20T GARDEN TRACTOR-MODEL NO. T9328AR

MAIN FRAME, DASH AND GRILL



### REPAIR PARTS

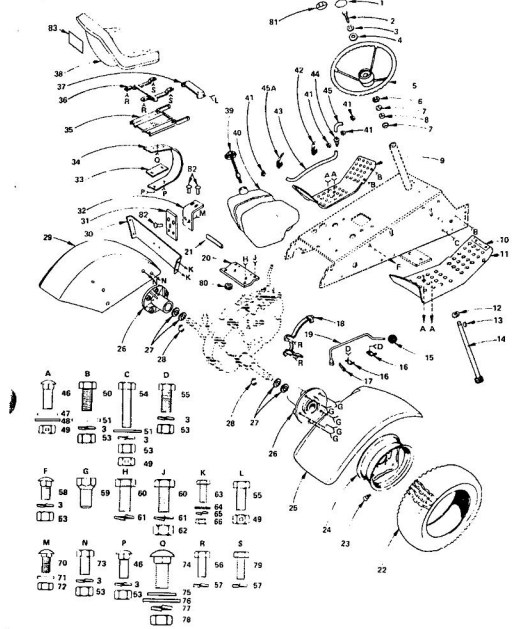
20T GARDEN TRACTOR-MODEL NO. T9328AR

MAIN FRAME, DASH AND GRILL

| KEY NO. | PART NO.   | DESCRIPTION                             | KEY NO. | PART NO. | DESCRIPTION  |                               |
|---------|------------|---|---------|----------|--|-------------------------------|
| 1       | 811J       | Grill - Upper                           | 65      | 1998R    | Clip - Dashboard   |                               |
| 2       | 1186J      | Grill - Exhaust Manifold                | 67      | 8071R    | Clip - Dashboard, Center   |                               |
| 3       | 1681J      | Deck                                    | 68      | 107J     | Battery Heat Shield  |                               |
| 4       | 881J       | Grill Panel - Upper                     | 69      | 7874R    | Head Bolt  |                               |
| 5       | 879J       | Cable Clip                              | 70      | 8658R    | Battery Tray   |                               |
| 6       | 891J       | Grill Panel - Lower                     | 71      | 88J      | Cover - L.H.   |                               |
| 7       | 868J       | Grill - Lower                           | 72      | 1182J    | Bracket - Battery Support - L.H.                                     |                               |
| 8       | 7028R      | Grill Side                              | 73      | 1181J    | Bracket - Rectifier  |                               |
| 9       | 10745J     | Grill Screen - L.H.                     | 74      | 1696J    | Decal - Instruction  |                               |
| 10      | 2073R      | Grill Screen - R.H.                     | 75      | 834A507  | Head Assy.   |                               |
| 11      | 1187J      | Muffler - Rear                          | 76      | 8028R    | Decal - Instruction  |                               |
| 12      | 1185J      | Muffler - Front                         | 77      | 9888R    | Decal - Wiring   |                               |
| 13      | 1185J      | Muffler - Rear                          | 78      | 1606P    | Washer 8/32 x 8/8 x 16 Ga.   |                               |
| 14      | 634A001    | Clutch Pedal                            | 79      | 1002P    | Lockwasher 1/4"  |                               |
| 15      | 89J        | Link                                    | 80      | 603P     | *Hex Nut 1/4 - 20 UNC  |                               |
| 16      | 91J        | Push-On Nut                             | 81      | 5901P    | Phillips Pan Hd. Thd. Self Tap 10 - 24 x 3/8 Type 1                  |                               |
| 17      | 83J        | Rubber Pad                              | 82      | 3267P    | *Hex Nut 1/4 - 20 UNC  |                               |
| 18      | 97J        | Foot Spacer                             | 83      | 1600H    | Locknut 1/4 - 20 UNC   |                               |
| 19      | 8066R      | Soc. Hd. Cap Screw 5/16 - 18 x 3/4      | 84      | 3003P    | *Hex Bolt 1/4 - 20 x 3/4   |                               |
| 20      | 3366P      | Soc. Hd. Cap Screw 5/16 - 18 x 3/4      | 85      | 3010P    | *Hex Bolt 5/16 - 18 x 3/4  |                               |
| 21      | 8066R      | Grill Cable                             | 86      | 1003P    | Lockwasher 5/16"   |                               |
| 22      | 875J       | Grill Brace                             | 87      | 6564P    | *Phillips Pan Hd. Thd. Self Tap 10 - 18 H.Ls Thd. x 1/2 Blunt Point  |                               |
| 23      | 189J/3800B | Engine, Churn 20 H.P.                   | 88      | 245J     | Decal - Rope   |                               |
| 24      | 8286S      | Ss. Key 1/4 x 2                         | 89      | 1837P    | Washer 11/32 x 11/16 x 16 Ga.  |                               |
| 25      | 8248R      | Belt Retainer Finger                    | 90      | 3011P    | *Hex Bolt 5/16 - 18 x 1"   |                               |
| 26      | 634A226    | Engine Pulley (Inc. Key No. 94)         | 91      | 604P     | *Hex Nut 5/16 - 18 UNC   |                               |
| 27      | 634A027    | Belt Guide Weldment                     | 92      | 4546P    | *Hex Flange Socket Holes Set Screw CP 5/16 - 1/2 - Nylok             |                               |
| 28      | 8704H1     | Spacer                                  | 93      | 2023P    | *Hex Bolt 3/8 - 18 x 1"  |                               |
| 29      | 4628R      | Retainer Spring                         | 94      | 1004P    | *Lockwasher 3/8"   |                               |
| 30      | 8011H      | Belt Retainer                           | 95      | 801P     | *Hex Nut 3/8 - 18 UNC  |                               |
| 31      | 634A059    | Belt Guard Weldment                     | 96      | 1557P    | Washer 13/32 x 13/16 x 11 Ga.  |                               |
| 32      | 8238H      | Split Spacer                            | 97      | 2164P    | St. Fl. Hd. Machine Screw 1/4 - 20 x 2 - 1/4                         |                               |
| 33      | 50P        | Carriage Bolt 3/8 - 16 x 2 - 1/4        | 100     | 347H     | Huylock Nut 1/4 - 20 UNC   |                               |
| 34      | 1646P      | Washer 17/32 x 1 x 16 Ga.               | 101     | 87P      | *Carriage Bolt 5/16 - 18 x 3/4                                       |                               |
| 35      | 256P       | *Cotter Pin 1/8 x 1                     | 102     | 3025P    | *Hex Bolt 3/8 - 18 x 1 - 1/4   |                               |
| 36      | 634A000    | Hood Latch                              | 103     | 6683P    | *Hex Washer Hd. Thd. Conting Screw 1/4 - 20 x 1/2 Type 1             |                               |
| 37      | 8437H      | Support Bumper                          | 104     | 106      | 3035P  | *Hex Bolt 7/16 - 18 x 1 - 1/4 |
| 38      | 634A003    | Battery Support Bracket (Inc. Key 38)   | 105     | 1001P    | *Lockwasher 7/16"  |                               |
| 39      | 7768R      | Bearing                                 | 106     | 3021P    | *Hex Bolt 3/8 - 18 x 3/4   |                               |
| 40      | 8050R      | Cap                                     | 107     | 836H     | Locknut 3/8 - 16 UNC   |                               |
| 41      | 8728R      | Cover - R.H.                            | 110     | 6065P    | *Hex St. Hd. Machine Screw w/Sem Int. Tooth Lockwasher 10 - 24 x 1/2 |                               |
| 42      | 1420J      | Decal - 20                              | 111     | 53P      | *Hex Nut 3/8 - 18 x 1 - 1/4  |                               |
| 43      | 634A002    | Lever Weldment                          | 112     | 1536P    | Washer 1/2 x 7/16 x 18 Ga.   |                               |
| 44      | 634A265    | Hanger Weldment R.H. - Front            | 113     | 1006P    | *Lockwasher No. 10   |                               |
| 45      | 7846S      | Belt Tightener Arm                      | 114     | 6058R    | *Hex Nut 1/4 - 20 UNC  |                               |
| 46      | 7848R      | Return Spring                           | 115     | 3114P    | *Hex Bolt 1/4 - 20 x 1/2   |                               |
| 47      | 7810H      | Locknut 3/8 - 24 UNF                    | 117     | 516P     | *Hex Nut 3/8 - 24 UNF  |                               |
| 48      | 7810H      | Locknut 3/8 - 24 UNF                    | 120     | 3137P    | *Hex Bolt 3/8 - 16 x 1 - 1/4 Cr. 6                                   |                               |
| 49      | 634A814    | Hanger Weldment - Rear                  | 121     | 1402P    | Ext. Tooth Lockwasher - 3/8  |                               |
| 50      | 634A757    | Driveline and Weldment                  | 122     | 9021     | Roller Edging  |                               |
| 51      | 634A356    | Hanger Weldment - L.H. - Front          | 123     | 8788H    | Mounting Clip  |                               |
| 52      | 7951R      | Clash Control                           | 124     | 2751R    | Mounting Clip  |                               |
| 53      | 1518J      | Throttle Control (Inc. Key 81, 82 & 83) |         |          |  |                               |
| 54      | 871J       | Adjuster Bar                            |         |          |  |                               |
| 55      | 1688J      | Decal (Shift Pattern)                   |         |          |  |                               |
| 56      | 634A888    | Chassis Assy. (Inc. Key 57 & 58)        |         |          |  |                               |
| 57      | 6458H      | Bearing                                 |         |          |  |                               |
| 58      | 4769H      | Bearing                                 |         |          |  |                               |
| 59      | 634A008    | Engine Mount Assy.                      |         |          |  |                               |
| 60      | 96J        | Grill Spacer                            |         |          |  |                               |
| 61      | 962R       | Grill Wire & Casing                     |         |          |  |                               |
| 62      | 8204R      | Clamp                                   |         |          |  |                               |
| 63      | 1650J      | Throttle Control Lever                  |         |          |  |                               |
| 64      | 634J/893   | Dashboard (Inc. Key No. 60 and 67)      |         |          |  |                               |
| 65      | 106J       | Battery Support                         |         |          |  |                               |

### REPAIR PARTS

20T GARDEN TRACTOR-MODEL NO. T9329AR  
STEERING AND FINAL DRIVE



### REPAIR PARTS

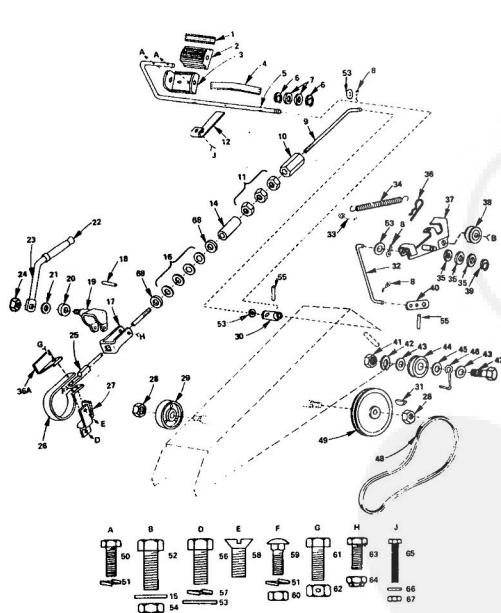
20T GARDEN TRACTOR-MODEL NO. T9329AR  
STEERING AND FINAL DRIVE

| KEY NO. | PART NO. | DESCRIPTION                    | KEY NO. | PART NO.       | DESCRIPTION  |
|---------|----------|--------------------------------|---------|----------------|--|
| 1       | 9719R    | Steering Wheel Inset           | 46      | 61P            | Sq. Nk. Shft. Cou. Bolt 3/8 x 1 Ga. 5                  |
| 2       | 3022P    | *Hex Bolt 3/8 x 16 x 1         | 47      | 1813P          | Washer 13/32 x 13/16 x 16 Ga.                          |
| 3       | 1004P    | *Lockwasher 3/8                | 48      | 1519P          | Washer 15/32 x 1 x 17 Ga.                              |
| 4       | 1559P    | Washer 7/16 x 1 x 10 Ga.       | 49      | 5394H          | Locknut 3/8 UNC  |
| 5       | 3644R    | Steering Wheel                 | 50      | 2025P          | *Hex Bolt 3/8 x 16 x 1 1/4                             |
| 6       | 6003P    | E-Ring                         | 51      | 1557P          | Washer 13/32 x 13/16 x 11 Ga.                          |
| 7       | 9007H    | Cap                            | 53      | 501P           | *Hex Nut 3/8 - 16 UNC                                  |
| 8       | 5949H    | Rubber Bushing                 | 54      | 3022P          | *Hex Bolt 3/8 x 1 1/2                                  |
| 9       | 7903R    | Foot Rest - L.H.               | 55      | 3022P          | *Hex Bolt 3/8 - 16 x 7/8                               |
| 10      | 8509P    | Steel Kickback Clutch          | 56      | 2019P          | *Hex Bolt 5/16 - 25 x 3/4                              |
| 11      | 7904H    | Foot Rest - R.H.               | 57      | 1003P          | *Lockwasher 5/16                                       |
| 12      | 1552P    | Washer 5/16 x 1 - 1/4 x 16 Ga. | 58      | 1304H          | Sq. Neck Carriage Bolt 3/8 - 16 x 3/4                  |
| 13      | 8808M1   | Woodruff Key 3/16 x 3/8        | 59      | 1001H          | Hub Bolt   |
| 14      | 634A226  | Steering Shaft and Pinion      | 60      | 500P           | *Hex Nut 7/16 - 14 UNC                                 |
| 15      | 6384H    | Control Knob                   | 61      | 1001H          | Lockwasher 7/16  |
| 16      | 6442H    | Shift Rod Bracket              | 62      | 500P           | *Hex Nut 1/4 - 20 x 3/4                                |
| 17      | 2511R    | Cotter Pin 2016 x 1            | 63      | 3003P          | *Hex Bolt 1/4 - 25 x 3/4                               |
| 18      | 634A22A  | Ball Guide                     | 64      | 1505P          | *Washer 9/32 x 5/8 x 10 Ga.                            |
| 19      | 6477H    | Range Shift Rod                | 65      | 1003P          | *Lockwasher 1/4  |
| 20      | 9504R    | Transmission Bracket           | 66      | 603P           | *Hex Nut 1/4 - 20 UNC                                  |
| 21      | 8514H    | Seat Stop                      | 67      | 16P            | *Steel Shoulder Sq. Neck Carriage Bolt 5/16 - 18 x 3/4 |
| 22      | 4607R    | Rear Tire 23 x 10.50 - 12      | 68      | 1001H          | Lockwasher 7/16  |
| 23      | 785R     | Tire Valve                     | 69      | 3022P          | *Hex Bolt 3/8 - 16 x 3/4                               |
| 24      | 2625P    | Rear Wheel                     | 70      | 1001H          | Lockwasher 7/16  |
| 25      | 9428R    | Fender - R.H.                  | 71      | 1685H          | Washer 11/32 x 13/16 x 16 Ga.                          |
| 26      | 634A202  | Wheel Hub - Rear               | 72      | 3021P          | *Hex Bolt 3/8 - 16 x 3/4                               |
| 27      | 7603P    | Axle Thrust Washer             | 73      | 52P            | Carriage Bolt 1/2 - 13 x 1 - 1/4 Gr. 5                 |
| 28      | 5895H    | Braking Ring                   | 74      | 1505P          | Washer 3/4 x 1 - 1/8 x 11 Ga.                          |
| 29      | 9427R    | Fender - L.H.                  | 75      | 1570P          | Washer 3/4 x 1 - 1/8 x 11 Ga.                          |
| 30      | 2056H    | Bracket - Tail Light           | 76      | 1560P          | Washer 17/32 x 1 - 1/2 x 11 Ga.                        |
| 31      | 125U     | Seat Stop Bracket              | 77      | 1000P          | *Lockwasher 1/2  |
| 32      | 135U     | Fuel Tank Retainer             | 78      | 502P           | *Hex Nut 1/2 - 13 UNC                                  |
| 33      | 8141H    | Seat Spring Reinforcement      | 79      | 3159P          | *Hex Bolt 5/16 - 18 x 7/8                              |
| 34      | 7888H    | Seat Spring                    | 80      | 5547R          | Rubber Grommet   |
| 35      | 634A776  | Seat Plate Weldment            | 81      | 235U           | Steering Wheel Detail                                  |
| 36      | 634A532  | Seat Bracket Weldment          | 82      | 124            | Rubber Burner  |
| 37      | 7827H    | Bracket, Seat Pivo             | 83      | 245L           | Detail - Roper   |
| 38      | 9744R    | Seat                           | 1418J   | Warranty Tag   |  |
| 39      | 2329H    | Fuel Gauge                     | 1418L   | Owner's Manual |  |
| 40      | 7885R    | Fuel Tank                      |         |                |  |
| 41      | 6899R    | Fuel Line Clamp                |         |                |  |
| 42      | 2751R    | Clip - Fuel Line               |         |                |  |
| 43      | 897J     | Fuel Line                      |         |                |  |
| 44      | 7741R    | In-Line Filter                 |         |                |  |
| 45      | 903J     | Fuel Line Elbow                |         |                |  |
| 46A     | 9297R    | Clip - Fuel Line               |         |                |  |

\*STANDARD HARDWARE - PURCHASE LOCALLY

### REPAIR PARTS

20T GARDEN TRACTOR-MODEL NO. T9329AR  
BRAKE AND CLUTCH



### REPAIR PARTS

20T GARDEN TRACTOR-MODEL NO. T9329AR  
BRAKE AND CLUTCH

| KEY NO. | PART NO. | DESCRIPTION                        | KEY NO. | PART NO. | DESCRIPTION                                      |
|---------|----------|------------------------------------|---------|----------|--|
| 1       | 8899R    | Insert Clutch Brake                | 27      | 634A754  | Inner Bracket Weldment                           |
| 2       | 8827R    | Foot Pedal                         | 28      | 6038H    | Inner  |
| 3       | 8960H    | Foot Pedal Bracket                 | 29      | 5002P    | E-Ring   |
| 4       | 9008H    | Screw                              | 30      | 634A680  | Steering Arm Assembly                            |
| 5       | 111J     | Foot Pedal Shaft                   | 31      | 600P     | *Hex Nut 7/16 - 14 UNC                           |
| 6       | 5001P    | E-Ring                             | 32      | 1001P    | Lockwasher 7/16                                  |
| 7       | 1527R    | Washer 21/32 x 7/8 x 16 Ga.        | 33      | 1544P    | Washer 15/32 x 15/16 x 16 Ga.                    |
| 8       | 2005P    | Cotter Pin 1/8 x 3/4               | 34      | 625H     | Flat Idler 1/2 x 1 - 1/8 x 11 Ga.                |
| 9       | 2307H    | Brake Rod - Front                  | 35      | 1520P    | Washer #60 I.D. x 1 - 1/8 x 11 Ga.               |
| 10      | 6417H    | Turbocheck                         | 36      | 6479H1   | Belt Fange                                       |
| 11      | 501P     | *Hex Nut 3/8 - 16 UNC              | 37      | 2025P    | *Hex Bolt 7/16 - 14 x 2 - 1/2                    |
| 12      | 7823R    | Safety Start Actuator              | 38      | 2692R    | V-Belt   |
| 13      | 2201R    | Bushing                            | 39      | 5451H2   | Patley, Transmission                             |
| 14      | 1551P    | Washer 13/32 x 13/16 x 11 Ga.      | 40      | 3003P    | *Hex Bolt 1/4 - 20 x 3/4                         |
| 15      | 1551P    | Washer 13/32 x 13/16 x 11 Ga.      | 41      | 1003P    | Lockwasher 1/4                                   |
| 16      | 2702R    | Spring Washer                      | 42      | 3341P    | *Fin. Hex Bolt 3/8 - 24 x 1                      |
| 17      | 9666H    | Parking Brake Yoke                 | 43      | 1813P    | Washer 13/32 x 13/16 x 16 Ga.                    |
| 18      | 175H     | Roll Pin                           | 44      | 648P     | *Hex Nut 3/8 - 24 UNC                            |
| 19      | 634A887  | Lock Bracket Assembly              | 45      | 8142H    | Roll Pin   |
| 20      | 2221R    | Parking Brake Spacer               | 46      | 3022P    | *Hex Bolt 3/8 - 16 x 7/8                         |
| 21      | 6492H    | Seal Washer                        | 47      | 1004P    | Lockwasher 3/8                                   |
| 22      | 4395H    | Handle Grip                        | 48      | 3164P    | Full Hd. Machine Screw - Undercut 3/8 - 18 x 3/4 |
| 23      | 634A341  | Parking Lock Handle Assembly       | 49      | 5164P    | Sq. Neck Carriage Bolt 1/4 - 20 x 5/8            |
| 24      | 7810H    | Grisco Centerlock Nut 3/8 - 24 UNF | 50      | 603P     | *Hex Nut 1/4 - 20 UNC                            |
| 25      | 626A305  | Brake Rod Assembly                 | 51      | 3159P    | *Hex Bolt 1/4 - 20 UNC                           |
| 26      | 634A162  | Brake Band Assembly                | 52      | 1003P    | Lockwasher 1/4                                   |
| 27      | 634A168  | Brake Bracket Assembly             | 53      | 1003P    | *Hex Nut 5/16 - 18 x 7/8                         |
| 28      | 9004H    | Lock Nut 1/2 - 20 UNF              | 54      | 1685H    | Washer 5/16 - 18 UNC                             |
| 29      | 214J     | Brake Drum                         | 55      | 3244P    | *Hex Bolt 1/4 - 20 x 5/8 Gr. 5                   |
| 30      | 634A809  | Brake Arm Assembly                 | 56      | 8071H    | Hub Nut 1/4 - 20 UNC                             |
| 31      | 9858M1   | Woodruff Key                       | 57      | 3326P    | Hex Hd. Mach. Screw # 32 x 1                     |
| 32      | 9398R    | Clutch Rod                         | 58      | 1567P    | Washer 5/32 x 3/8 x 20 Ga.                       |
| 33      | 2514P    | Cotter Pin 1/4 x 1                 | 59      | 582P     | Centerlock Nut 6 - 32 UNC                        |
| 34      | 6489H    | Spring                             | 60      | 1802P    | Washer 13/32 x 5/8 x 11 Ga.                      |
| 35      | 1587P    | *Washer 17/32 x 1 - 1/16 x 21 Ga.  |         |          |  |
| 36      | 4829M    | Retainer Spring                    |         |          |  |
| 36A     | 644J     | Hose Shield                        |         |          |  |

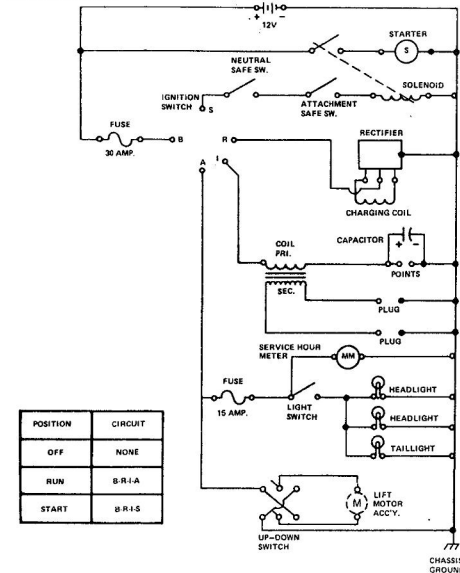
\*STANDARD HARDWARE - PURCHASE LOCALLY



### REPAIR PARTS

20T GARDEN TRACTOR—MODEL NO. T9329AR

SCHEMATIC DIAGRAM



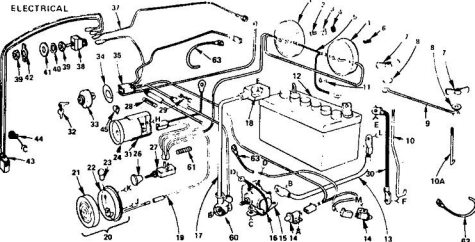
| POSITION | CIRCUIT |
|----------|---------|
| OFF      | NONE    |
| RUN      | B-R-I-A |
| START    | B-R-I-S |

WIRING CLIPS AND CABLE TIES

If Clips or Ties were removed for servicing of unit, they should be replaced to properly secure your wiring.

### REPAIR PARTS

20T GARDEN TRACTOR—MODEL NO. T9329AR

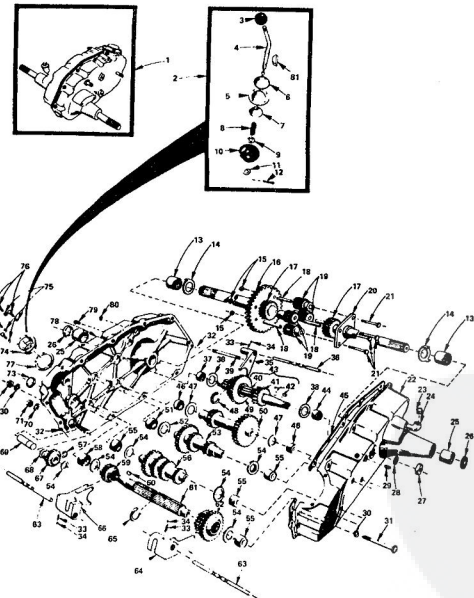


| KEY NO. | PART NO. | DESCRIPTION   | KEY NO. | PART NO. | DESCRIPTION  |
|---------|----------|---|---------|----------|--|
| 1       | 8452R    | Headlight   | 33      | 2683R    | Ignition Switch  |
| 2       | 3554P    | Phillips Pan Hd. Thd. Cutting Screw No. 10 - 16 x 1/2 | 34      | 8668R    | Terminal Identifier  |
| 3       | 8780H    | Mounting Clip   | 35      | 1492J    | Wire Harness, Main   |
| 4       | 8784H1   | Rubber Spacer   | 37      | 8688R    | Wire, Ground Lift Switch   |
| 5       | 8231R    | Headlight Ground Wire                                 | 38      | 566P     | Switch, Elec. Lft. 1/2   |
| 6       | 8197H    | Hose  | 39      | 566P     | Hex Nut, Smt. 7/16 - 32 NS - 2A                                      |
| 7       | 3748M    | Washer Nut 1/4 - 20 UNC                               | 40      | 7318P    | Lockwasher, Internal Tooth   |
| 8       | 1506P    | Washer 9/32 x 5/8 x 16 Ga.                            | 41      | 1818P    | Washer 15/32 x 11/16 x 18 Ga.  |
| 9       | 7955R    | Battery Clamp   | 42      | 8320R    | Switch, Flare  |
| 10      | 2688R    | Battery Bolt  | 43      | 8865R    | Lift Motor Harness   |
| 10A     | 881      | Battery Bolt  | 44      | 8320R    | Clamp, Wire  |
| 11      | 4171R    | Insulated Clip  | 45      | 8815R    | Clamp, Wire  |
| 12      | 228J     | Battery Cable   | 45      | 5554P    | Clamp, Wire  |
| 13      | 2238R    | Cable - Solenoid to Start.                            | 47      | 1003P    | Stotted Hex Indented Hd. Self Tapping Screw No. 10 - 24 x 3/8 Type 1 |
| 14      | 7755R    | Solenoid  | 48      | 538P     | Lockwasher 5/16  |
| 15      | 7754H    | Solenoid  | 48      | 538P     | *Hex Jam Nut 5/16 - 24 UNF   |
| 16      | 8027R    | Wire - Ground to Solenoid                             | 49      | 3115P    | *Hex Bolt 1/4 - 20 x 5/8   |
| 17      | 116J     | Battery Cable   | 50      | 1002P    | *Lockwasher 1/8  |
| 18      | 225J     | Terminal Bolt   | 51      | 852P     | *Hex Nut 1/4 - 20 UNC  |
| 19      | 8033R    | Light Harness   | 52      | 1006P    | *Lockwasher No. 10   |
| 20      | 8085H    | Lens - Taillight                                      | 53      | 1006P    | *Hex Nut No. 10 - 32 UNF   |
| 21      | 8292H    | Lens - Taillight                                      | 54      | 1402P    | *Ext. Tooth Lockwasher 3/8   |
| 22      | 8253H    | Bulb No. 1895 2 Candle Power                          | 55      | 505P     | *Hex Bolt 1/4 - 20 x 3/4   |
| 23      | 8291H    | Bulb No. 1895 2 Candle Power                          | 55      | 505P     | *Hex Nut No. 10 - 24 UNC   |
| 24      | 7733R    | Maintenance Meter                                     | 57      | 1003P    | *Ext. Tooth Lockwasher No. 10  |
| 25      | 7734R    | Light Switch Knob                                     | 58      | 1404P    | *Ext. Tooth Lockwasher No. 10  |
| 26      | 7733R    | Light Switch  | 59      | 1504P    | *Hex Bolt 7/32 x 1 1/2 x 18 Ga.                                      |
| 28      | 2112R    | Fuse - 15 Amp.  | 60      | 51J      | Solenoid Terminal Cover  |
| 29      | 6247R    | Fuse - 15 Amp.  | 61      | 1052J    | Cable Tie  |
| 30      | 2753R    | Battery Cable - Ground                                | 62      | 3218P    | Hex Hd. Mech. Screw No. 10 - 24 x 1/2                                |
| 31      | 8066P    | Maintenance Meter Bracket                             | 63      | 1052J    | Cable Tie  |
| 32      | 7552H    | Key Set   |         |          | *STANDARD HARDWARE—PURCHASE LOCALLY                                  |

### REPAIR PARTS

20T GARDEN TRACTOR—MODEL NO. T9329AR

TRANSAXLE



### REPAIR PARTS

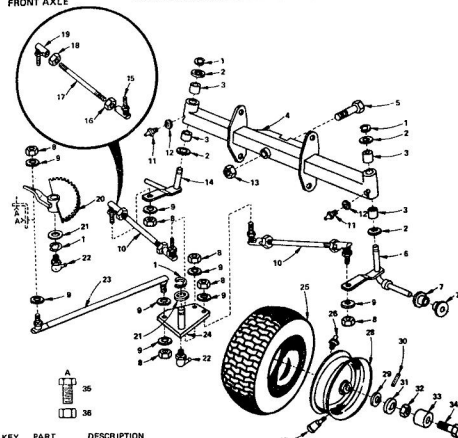
20T GARDEN TRACTOR—MODEL NO. T9329AR

TRANSAXLE

| KEY NO. | PART NO. | DESCRIPTION  | KEY NO. | PART NO. | DESCRIPTION                                      |
|---------|----------|--|---------|----------|--|
| 1       | 633A92   | Transaxle Assembly Less Brake Drum & Shift Lever (Inc. Key No's. 12 thru 80) | 44      | 8115M    | Needle Bearing                                   |
| 2       | 633A82   | Gear Shift Lever Assembly (Inc. Key No's. 3 thru 12 and 81)                  | 45      | 6275H    | Gasket - Gearcase                                |
| 3       | 6386H    | Control Knob   | 46      | 8117M    | Needle Bearing                                   |
| 4       | 9635R    | Gear Shift Lever   | 47      | 7396H    | Thrust Bearing Race                              |
| 5       | 633A85   | Gear Shift Bolt Cover and Pin  | 48      | 6270H    | Snap Ring - Crescent Type                        |
| 6       | 9013R    | Gear Shift Cap   | 49      | 633A14   | High - Low Range Gears and Hub                   |
| 7       | 8178H1   | Shift Lever Guide Ball   | 50      | 633A33   | 4th Reduction Shaft and Gears                    |
| 8       | 4024H    | Spring   | 51      | 7395H    | Needle Bearing                                   |
| 9       | 1802P    | *Washer 15/32 x 5/8/64 x 16 Ga.  | 52      | 2395H    | 2nd Reduction Shaft and Gears                    |
| 10      | 8105R    | Shift Mechanism Seal   | 53      | 633A31   | Thrust Bearing Race                              |
| 11      | 1525P    | Washer 9/16 x 5/16 x 11 Ga.  | 54      | 1370H    | Needle Bearing                                   |
| 12      | 2505P    | Center 1/8 x 3/4   | 55      | 4895H    | Needle Bearing                                   |
| 13      | 2039R    | Needle Bearing   | 56      | 83A20    | Speed Change Gear and Shaft                      |
| 14      | 6268H    | Axle Thrust Washer   | 57      | 5001P    | E-Ring   |
| 15      | 7810H    | Centerlock Gripsco Nut 3/8 - 24 UNF  | 58      | 4894H    | Needle Bearing                                   |
| 16      | 8662H    | First Drive Gear   | 59      | 6201H    | Low Speed Pinion                                 |
| 17      | 633A13   | Axle Shaft and Gear  | 60      | 8850M1   | Woodruff Key                                     |
| 18      | 6292H1   | Beaking - Differential Pinion  | 61      | 6218H    | Input Shaft                                      |
| 19      | 8657H    | Differential Pinion  | 62      | 633A11   | Intermediate and High-Speed Pinions              |
| 20      | 6263H1   | Differential Carrier   | 63      | 6219H    | Shift Fork Shaft                                 |
| 21      | 3056P    | Hex Bolt - 24 x 3 - 1/4 1" Thread Length                                     | 64      | 4210R    | Shift Fork - L.H.                                |
| 22      | 633A89   | Gear Case and Bearings - L.H.  | 65      | 4922H    | Snap Ring - Crescent Type                        |
| 23      | 4002P    | Pipe Plug 1/2 - 14 N.P.T.  | 66      | 6202H    | Shift Fork - R.H.                                |
| 24      | 4003P    | SB Street Elbow 1/2 - 14 N.P.T.  | 67      | 1153R    | Reverse Idler Gear                               |
| 25      | 8920H    | Sintered Iron Bearing  | 68      | 7392H    | Reverse Idler Shaft                              |
| 26      | 7392R    | Oil Seal   | 69      | 7384H    | Reverse Idler Thrust Washer                      |
| 27      | 6204H    | Lock Nut   | 70      | 1167R    | Sealing Washer                                   |
| 28      | 6271H    | Oil Seal   | 71      | 6418P    | *Hex Jam Nut 7/16 - 20 UNF                       |
| 29      | 4001P    | Pipe Plug 1/4 - 18 N.P.T.  | 72      | 604P     | *Hex Nut 5/16 - 18 UNC                           |
| 30      | 1001P    | Lockwasher 5/16 Extra Heavy  | 73      | 6270H    | Oil Seal   |
| 31      | 3087P    | *Hex Bolt 5/16 - 18 x 1 - 1/2 G 5  | 74      | 75J      | Gear Shift Gate                                  |
| 32      | 6271H    | Down Pin   | 75      | 1003P    | *Lockwasher 5/16                                 |
| 33      | 6272H    | Spring - Shift Fork Detent   | 76      | 2195P    | *Hex Bolt 5/16 - 18 x 7/8                        |
| 34      | 7395M    | Steel Pin  | 77      | 6274H    | Gasket - Shift Bolt Cover                        |
| 35      | 6200H    | High - Low Range Shift Fork Shaft  | 78      | 633A10   | Gear Case, Reverse Idler Shaft and Bearings R.H. |
| 36      | 6217H    | High - Low Range Shift Fork Shaft  | 79      | 8655H    | Pressure Relief Valve                            |
| 37      | 8118M    | Needle Bearing   | 80      | 6266H    | Oil Seal   |
| 38      | 6266H    | Thrust Bearing Race  | 81      | 7825M    | Woodruff Key                                     |
| 39      | 6215H    | High - Low Range Shift Shaft   |         |          | *STANDARD HARDWARE—PURCHASE LOCALLY              |
| 40      | 6211H    | 3rd Reduction Gear Shaft   |         |          |  |
| 41      | 8659H    | 4th Reduction Pinion   |         |          |  |
| 42      | 2229M    | Woodruff Key   |         |          |  |
| 43      | 633A32   | 3rd Reduction Shaft and Gear (Inc. Key No's. 40, 41 & 42)                    |         |          |  |

### REPAIR PARTS

20T GARDEN TRACTOR-MODEL NO. T9329AR



| KEY NO. | PART NO. | DESCRIPTION  | KEY NO. | PART NO. | DESCRIPTION                         |
|---------|----------|--|---------|----------|-------------------------------------|
| 1       | 6000P    | E-Ring   | 22      | 6842M    | Grease Fitting                      |
| 2       | 1528P    | Washer 13/16 x 1 - 1/4 x 14 Ga.                        | 23      | 7577B    | Drag Link and Joints                |
| 3       | 1358H    | Bearing  | 24      | 634AB9   | Steering Ball Crank Weldment        |
| 4       | 634A621  | Front Axle w/Bearings (Inc. Key No. 3)                 | 25      | 3835R    | Front Tire 18 x 6.50-5              |
| 5       | 3254P    | Hex Bolt 5/8 - 11 x 5 Grade 5                          | 26      | 6858M    | Grease Fitting 1/4 - 28 Taper Thrd. |
| 6       | 634A277  | Spindle Complete - R.H.                                | 27      | 7575R    | Tire Valve                          |
| 7       | 8240H    | Flanged Bearing  | 28      | 3635R    | Front Wheel and Bearings            |
| 8       | 7810H    | Gripco Locknut 3/8 - 24 UNF                            | 29      | 165R     | Wear Washer                         |
| 9       | 2515R    | Hardened Washer  | 30      | 8788H    | Roll Pin 5/32 x 1 - 1/2 x 16 Ga.    |
| 10      | 7838R    | Tie Rod and Joints (Inc. Key No's 16, 18, 17, 18 & 19) | 31      | 8715H    | Dist Cap-Choke                      |
| 11      | 6955M    | Grease Fitting   | 32      | 4821H    | Elastic Nut 3/4 - 16 UNF            |
| 12      | 1958P    | Washer 5/8 x 1 1/2 x 14 Ga.                            | 33      | 8715H    | Dist Cap-Choke                      |
| 13      | 4764H    | Hoglock Nut 6/8 - 11 UNC                               | 34      | 3000P    | *Hex Bolt 5/16 - 18 x 1/2           |
| 14      | 634A27B  | Spindle Complete - L.H.                                | 35      | 3441P    | *Hex Bolt 3/8 - 24 x 1              |
| 15      | 8515R    | Tie Rod Joint (R.H. Thread)                            | 36      | 640P     | *Hex Jam Nut 3/8 - 24 UNF           |
| 16      | 596P     | *Hex Jam Nut 1/2 - 20 (L.H. Thread)                    |         |          |                                     |
| 17      | 634A819  | Tie Rod and Nuts (Inc. Key No's 16 & 18)               |         |          |                                     |
| 18      | 600P     | *Hex Jam Nut 1/2 - 20 (L.H. Thread)                    |         |          |                                     |
| 19      | 8514R    | Tie Rod Joint (L.H. Thread)                            |         |          |                                     |
| 20      | 634A813  | Steering Gear Sector and Arm                           |         |          |                                     |
| 21      | 1552P    | Washer 49/64 x 1 - 1/4 x 16 Ga.                        |         |          |                                     |

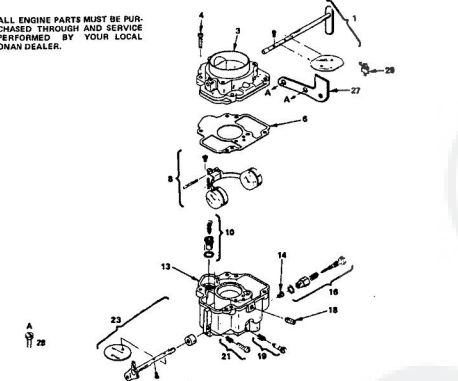
\*STANDARD HARDWARE-PURCHASE LOCALLY

### REPAIR PARTS

20T GARDEN TRACTOR-MODEL NO. T9329AR  
ONAN ENGINE-MODEL NO. N52M-GA019.9/3580B

#### CARBURETOR PARTS GROUP

ALL ENGINE PARTS MUST BE PURCHASED THROUGH AND SERVICE PERFORMED BY YOUR LOCAL ONAN DEALER.



| KEY NO. | PART NO. | DESCRIPTION                      | KEY NO. | PART NO. | DESCRIPTION                          |
|---------|----------|----------------------------------|---------|----------|--------------------------------------|
| 1       | 146-0271 | Carburetor Assembly, Complete    | 18      | 146-0211 | Set Screw                            |
| 2       | 146-0290 | Choke Shaft Package              | 19      | 146-0209 | *Needle Package                      |
| 3       | 146-0203 | Air Intake (Not Sold Separately) | 21      | 146-0201 | Screw Package                        |
| 4       | 146-0204 | Screw                            | 23      | 146-0270 | Throttle Shaft Package               |
| 5       | 146-0282 | Front Assembly Package           | 27      | 153-0215 | Bracket: Choke Cable                 |
| 6       | 146-0227 | *Valve and Seat Package          | 28      | 821-0002 | Mounting Screw                       |
| 13      | 146-0238 | Power Jet                        | 29      | 153-0514 | Calisk Clip                          |
| 16      | 146-0216 | *Power Needle Package            | ---     | 146-0220 | *Gasket Kit                          |
|         |          |                                  | ---     | 146-0228 | Repair Kit (Includes Parts Marked H) |

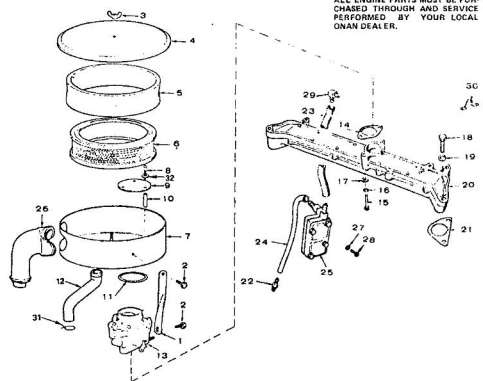
\*PARTS CONTAINED IN 146-0228 REPAIR KIT.

### REPAIR PARTS

20T GARDEN TRACTOR-MODEL NO. T9329AR  
ONAN ENGINE-MODEL NO. N52M-GA019.9/3580B

#### FUEL SYSTEM GROUP

ALL ENGINE PARTS MUST BE PURCHASED THROUGH AND SERVICE PERFORMED BY YOUR LOCAL ONAN DEALER.



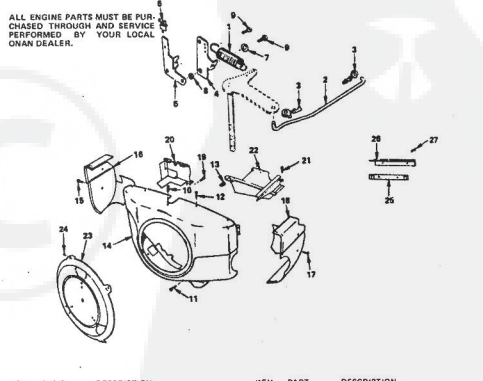
| KEY NO. | PART NO. | DESCRIPTION  | KEY NO. | PART NO. | DESCRIPTION  |
|---------|----------|--|---------|----------|--|
| 1       | 140-1409 | Air Cleaner Support  | 17      | 526-0115 | Flat Washer (11/32" I.D. x 1 1/16" O.D. x 1/16" Thick) |
| 2       | 821-0009 | Cap Screw, Hex Head Locking (1/4 - 20 x 3/8")                    | 18      | 800-0058 | Lockwasher, Spring (3/8" x 1 1/4")                     |
| 3       | 865-0020 | Wing Nut (1/4 - 20)  | 19      | 869-0050 | Lockwasher, Spring (3/8" x 1 1/4")                     |
| 4       | 140-1406 | Air Cleaner Cover  | 20      | 154-0229 | Insulator Manifold                                     |
| 5       | 140-1496 | Wrapper  | 21      | 154-1483 | Gasket   |
| 6       | 140-1579 | Element  | 22      | 552-0295 | Conductor  |
| 7       | 140-1498 | Air Cleaner Housing  | 23      | 503-0874 | Fuel Line  |
| 8       | 815-0470 | Binder Head Machine Screw w/Nylon Patch (No. 10 - 32 x 1 - 1/2") | 24      | 503-0910 | Air Inlet Tube   |
| 9       | 140-1500 | Blower   | 25      | 148-1544 | Fuel Pump  |
| 10      | 140-1501 | Deflector Plate  | 26      | 140-1495 | Air Inlet Tube   |
| 11      | 509-0145 | Seal, "O" Ring   | 27      | 850-0025 | Lockwasher, Spring (No. 8)                             |
| 12      | 123-1264 | Breather Hose  | 28      | 812-0075 | Round Head Machine Screw (No. 8 - 32 x 1 1/4")         |
| 13      | 146-0271 | Carburetor Assembly (See Separate Group for Components)          | -29     | 502-0310 | Elbow  |
| 14      | 154-0733 | Gasket   | 30      | 463-1490 | Lifting Bracket  |
| 15      | 800-0035 | Cap Screw, Hex Head (5/16 - 18 x 2 - 1/2")                       | 31      | 503-0171 | Hex Clamp  |
| 16      | 850-0045 | Lockwasher, Spring (5/16")                                       | 32      | 850-0070 | Lockwasher (No. 10)                                    |
|         |          |  |         | 148-1552 | Fuel Pump Repair Kit                                   |

### REPAIR PARTS

20T GARDEN TRACTOR-MODEL NO. T9329AR  
ONAN ENGINE-MODEL NO. N52M-GA019.9/3580B

#### GOVERNOR AND AIR HOUSING GROUP

ALL ENGINE PARTS MUST BE PURCHASED THROUGH AND SERVICE PERFORMED BY YOUR LOCAL ONAN DEALER.

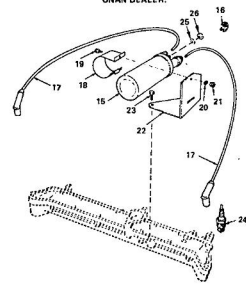
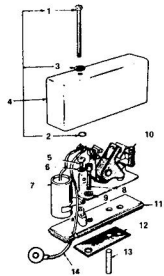


| KEY NO. | PART NO. | DESCRIPTION   | KEY NO. | PART NO. | DESCRIPTION                                    |
|---------|----------|---|---------|----------|--|
| 1       | 150-1314 | Governor Spring                                       | 16      | 815-0261 | Cap Screw, Hex Head Locking (1/4 - 20 x 7/16") |
| 2       | 150-1513 | Throttle Link   | 17      | 134-3440 | Air Housing, Left Side                         |
| 3       | 518-0304 | Clip  | 18      | 815-0261 | Cap Screw, Hex Head Locking (1/4 - 20 x 7/16") |
| 4       | 150-1576 | Governor Control Arm                                  | 19      | 815-0261 | Cap Screw, Hex Head Locking (1/4 - 20 x 7/16") |
| 5       | 150-1725 | Governor Control Mounting Bracket                     | 18      | 134-3440 | Air Housing, Right Side                        |
| 6       | 153-0514 | Cable Clip  | 19      | 815-0261 | Cap Screw, Hex Head Locking (1/4 - 20 x 7/16") |
| 7       | 526-0214 | Flat Washer (1 7/8" I.D. x 1 1/2" O.D. x 1/16" Thick) | 20      | 134-3646 | Housing Support, Left Side                     |
| 8       | 150-1269 | Bushing   | 21      | 821-0015 | Cap Screw, Hex Head Locking (1/4 - 20 x 5/8")  |
| 9       | 821-0010 | Hex Head Cap Screw, Locking (1/4 - 20 x 1/2")         | 22      | 134-3691 | Housing Support, Right Side                    |
| 10      | 815-0261 | Cap Screw, Hex Head Locking (1/4 - 20 x 7/16")        | 23      | 134-3589 | Cap Screw, Hex Head w/E-T (No. 14 x 1/2")      |
| 11      | 821-0010 | Cap Screw, Hex Head Locking (1/4 - 20 x 1/2")         | 24      | 815-0216 | Cap Screw, Hex Head Locking (1/4 - 20 x 3/8")  |
| 12      | 815-0474 | Cap Screw, Tapping Hex Head (1/4 - 1/2")              | 25      | 134-3510 | Support Mounting Bracket                       |
| 13      | 870-0107 | Nut, Spring (No. 14)                                  | 26      | 134-3511 | Housing Support, Lower                         |
| 14      | 134-3747 | Air Housing   | 27      | 821-0009 | Cap Screw, Hex Head Locking (1/4 - 20 x 3/8")  |

### REPAIR PARTS

20T GARDEN TRACTOR-MODEL NO. T9329AR  
ONAN ENGINE-MODEL NO. N52M-GA019.9/3580B

#### IGNITION AND BREAKER BOX GROUP



ALL ENGINE PARTS MUST BE PURCHASED THROUGH AND SERVICE PERFORMED BY YOUR LOCAL ONAN DEALER.

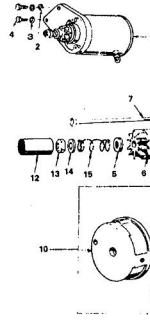
| KEY NO. | PART NO. | DESCRIPTION   |
|---------|----------|---|
| 1       | 160-1210 | Breaker Box (Inc. Parts Marked *)                       |
| 1       | 812-0108 | "Rivet" Head Machine Screw (No. 10 - 24 x 1 - 1/2")     |
| 2       | 509-0065 | "Retainer"  |
| 3       | 526-0008 | "Flat Washer (1/32\" I.D. x 7/16\" O.D. x 1/32\" Thick) |
| 4       | 160-1222 | "Cover"   |
| 5       | 815-6268 | "Cap Screw, Slotted (No. 8 - 32 x 5/16\" )"             |
| 6       | 850-0225 | "Lockwasher - Spring (No. 8)"                           |
| 7       | 312-0186 | "Condenser"   |
| 8       | 802-0034 | "Cap Screw Socket Head (1/4 - 20 x 3/4\" )"             |
| 9       | 850-0038 | "Lockwasher, Spring (1/4\" )"                           |
| 10      | 160-1183 | "Point Set"   |
| 11      | 160-1219 | "Base"  |
| 12      | 160-1150 | "Gasket"  |
| 13      | 160-1151 | "Plunger"   |
| 14      | 336-2378 | "Lead (Breaker Box to Coil)"                            |

| KEY NO.                                 | PART NO.         | DESCRIPTION                               |
|---|------------------|---|
| 15                                      | 166-0035         | "Coil"                                    |
| 16                                      | 166-0004         | "Cap (Part of Ignition Co.)"              |
| 17                                      | SPARK PLUG CABLE | "SPARK PLUG CABLE"                        |
| 18                                      | 167-1596         | "16\" "                                   |
| 19                                      | 167-1596         | "16\" "                                   |
| 20                                      | 890-0040         | "Lockwasher, Spring (1/4\" )"             |
| 21                                      | 852-0001         | "Hex Nut (1/4 - 20)"                      |
| 22                                      | 168-0680         | "Bracket"                                 |
| 23                                      | 815-0281         | "Cap Screw (1/4 - 20 x 9/16)"             |
| 24                                      | 167-0291         | "Spark Plug"                              |
| 25                                      | 850-0065         | "Washer - Primary Terminal"               |
| 26                                      | 166-0254         | "Ignition Coil Nut (Primary Terminal)"    |
| 26                                      | 160-1213         | "Turn-up Kit (Inc. Points and Condenser)" |
| *PARTS INCLUDED IN 160-1210 BREAKER BOX |                  |   |

### REPAIR PARTS

20T GARDEN TRACTOR-MODEL NO. T9329AR  
ONAN ENGINE-MODEL NO. N52M-GA019.9/3580B

#### STARTER PARTS GROUP



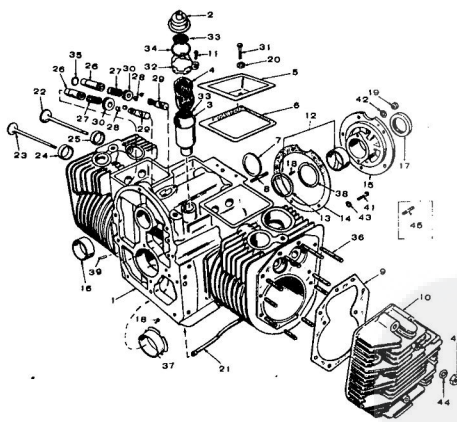
ALL ENGINE PARTS MUST BE PURCHASED THROUGH AND SERVICE PERFORMED BY YOUR LOCAL ONAN DEALER.

| KEY NO. | PART NO. | DESCRIPTION   |
|---------|----------|---|
| 1       | 191-1205 | Starter (Complete)                                    |
| 2       | 526-0113 | "Flat Washer (1/16\" I.D. x 1\" O.D. x 3/32\" Thick)" |
| 3       | 850-0045 | "Lockwasher, Spring (5/16\" )"                        |
| 4       | 800-0028 | "Cap Screw, Hex Head"                                 |
| 5       | 191-1047 | "Spacer"  |
| 6       | 191-1157 | "Drive Assembly"                                      |
| 7       | 191-1157 | "Cap Screw, Hex Head"                                 |
| 8       | 050-0040 | "Lockwasher, Spring (1/4\" )"                         |
| 9       | 191-1223 | "Cap Assembly"  |
| 10      | 191-1158 | "Armature"  |
| 11      | 191-1154 | "Dust Cover"  |
| 12      | 191-1046 | "Flat Washer"   |
| 14      | 191-1046 | "Flat Washer"   |
| 15      | 191-1036 | "Spring"  |
| 16      | 191-1222 | "Brush, Spring and Stud Kit"                          |

### REPAIR PARTS

20T GARDEN TRACTOR-MODEL NO. T9329AR  
ONAN ENGINE-MODEL NO. N52M-GA019.9/3580B

#### CYLINDER BLOCK GROUP



ALL ENGINE PARTS MUST BE PURCHASED THROUGH AND SERVICE PERFORMED BY YOUR LOCAL ONAN DEALER.

### REPAIR PARTS

20T GARDEN TRACTOR-MODEL NO. T9329AR  
ONAN ENGINE-MODEL NO. N52M-GA019.9/3580B

#### CYLINDER BLOCK GROUP

| KEY NO. | PART NO.                   | DESCRIPTION   | KEY NO.                                     | PART NO.                   | DESCRIPTION   |
|---------|----------------------------|---|---|----------------------------|---|
| 1       | 110-2686                   | Cylinder Block Assembly (Inc. Parts Marked *)                     | 29  | VALVE TAPPET               | Standard  |
| 2       | 123-0964                   | "Breather Cap and Valve"  | 30  | 110-0094                   | "Valve Retainer"  |
| 3       | 123-0952                   | "Breather Tube"   | 31  | 800-0011                   | "Hex Head Cap Screw (1/4 - 20 x 2\" )"                            |
| 4       | 123-0965                   | "Baffle"  | 32  | 123-0851                   | "Breather Cap Clamp"  |
| 5       | 110-1624                   | "Valve Compartment Cover"   | 33  | 123-0958                   | "Breather Screen"   |
| 6       | 110-1720                   | "Valve Cover Gasket"  | 34  | 509-0017                   | "Breather Tube Seal"  |
| 7       | 817-0068                   | "Expansion Plug"  | 35  | 110-0068                   | "Breaker Valve Guide Gasket"                                      |
| 8       | 520-0736                   | "Stud"  | 36  | CYLINDER HEAD STUD         | 520-0717 *3/8 x 1 - 7/8"  |
| 9       | 110-1731                   | "Head Gasket"   | 37  | CRAWL-SHAFT BEARING, FRONT | Standard  |
| 10      | 110-2975                   | Cylinder Head   | 101-0432                                    | Standard                   | 101-0432 02 020" Undersize  |
| 11      | 809-0205                   | Round Head Self Tapping Screw (No. 8 x 3/4")                      | 101-0432 10 010" Undersize                  | 101-0432 20 020" Undersize | 101-0432 30 030" Undersize  |
| 12      | CRAWL-SHAFT BEARING, REAR  | 101-0400  | Standard                                    | 101-0432 02 020" Undersize | 101-0432 10 010" Undersize  |
| 13      | 104-0675                   | "Thrust Washer"   | 38  | 194-0778                   | "Crankshaft Shim"   |
| 14      | 101-0415                   | "Bearing Plate Gasket"  | 39  | 516-0141                   | "Alignment Pin"   |
| 15      | 101-0439                   | "Bearing Plate, Rear"   | 40  | 194-0091                   | "Hex Nut (3/8 - 24)"  |
| 16      | 101-0400                   | "Crankshaft Bearing"  | 41  | 800-0046                   | "Hex Head Cap Screw (3/8 - 16 x 1/2\" )"                          |
| 17      | 809-0041                   | "Crankshaft Oil Seal"   | 42  | 526-0251                   | "Flat Washer #86 (1.0 x .588\" O.D. x .135\" Thick)"              |
| 18      | 516-0072                   | "Bearing Stop Pin"  | 43  | 526-0066                   | "Flat Washer, Copper (25.64\" I.D. x 8/16\" O.D. x 1/16\" Thick)" |
| 19      | 194-0091                   | "Hex Nut (3/8 - 24)"  | 44  | 526-0250                   | "Flat Washer, Steel (.407\" I.D. x 1\" O.D. x 1/8\" Thick)"       |
| 20      | 526-0063                   | "Flat Washer, Copper (17/64\" I.D. x 7/16\" O.D. x 1/32\" Thick)" | 45  | 520-0820                   | "Stud (Wet Hole)"   |
| 21      | 120-3680                   | "Oil Tube"  | *PARTS INCLUDED IN CYLINDER BLOCK ASSEMBLY. |                            |   |
| 22      | 110-1514                   | "Intake Valve"  | SERVICE KITS AND MISCELLANEOUS              |                            |   |
| 23      | 110-1719                   | "Exhaust Valve"   | PART DESCRIPTION                            |                            |   |
| 24      | VALVE SEAT INSERT, EXHAUST | 110-1718  | "Standard"                                  | 110-1923                   | "Decal Kit"   |
| 25      | VALVE SEAT INSERT, INTAKE  | 110-1718 010" Oversize  | 110-1923 020" Oversize                      | 168-0142                   | "Engine Gasket Kit"   |
| 26      | 110-1718 020" Oversize     | 110-1718 030" Oversize  | 110-1923 030" Oversize                      | 168-0121                   | "Carbon Removal Kit"  |
| 27      | 110-1718 040" Oversize     | 110-1718 050" Oversize  | 110-1923 040" Oversize                      | 160-1213                   | "Ignition Turn-up Kit"  |
| 28      | 110-1923                   | "Standard"  | 110-1923 050" Oversize                      | 522-0000                   | "Engine Overhaul Kit"   |
| 29      | 110-1923 010" Oversize     | 110-1923 020" Oversize  | 110-1923 030" Oversize                      |                            |   |
| 30      | 110-1923 040" Oversize     | 110-1923 050" Oversize  |   |                            |   |
| 31      | 110-1923 060" Oversize     |   |   |                            |   |
| 32      | 110-1923 070" Oversize     |   |   |                            |   |
| 33      | 110-1923 080" Oversize     |   |   |                            |   |
| 34      | 110-1923 090" Oversize     |   |   |                            |   |
| 35      | 110-1923 100" Oversize     |   |   |                            |   |
| 36      | 110-1923 110" Oversize     |   |   |                            |   |
| 37      | 110-1923 120" Oversize     |   |   |                            |   |
| 38      | 110-1923 130" Oversize     |   |   |                            |   |
| 39      | 110-1923 140" Oversize     |   |   |                            |   |
| 40      | 110-1923 150" Oversize     |   |   |                            |   |
| 41      | 110-1923 160" Oversize     |   |   |                            |   |
| 42      | 110-1923 170" Oversize     |   |   |                            |   |
| 43      | 110-1923 180" Oversize     |   |   |                            |   |
| 44      | 110-1923 190" Oversize     |   |   |                            |   |
| 45      | 110-1923 200" Oversize     |   |   |                            |   |

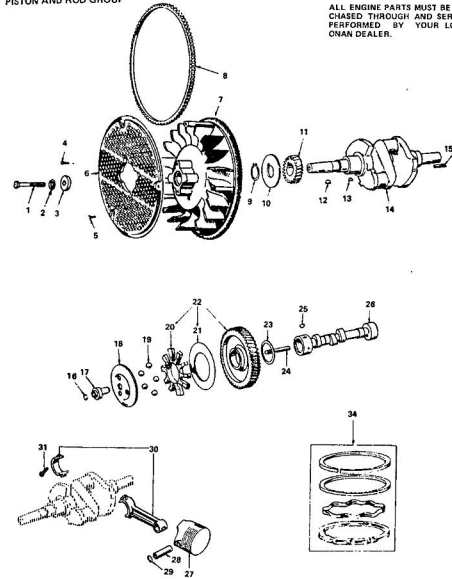


### REPAIR PARTS

20T GARDEN TRACTOR-MODEL NO. T9329AR  
ONAN ENGINE-MODEL NO. N52M-GA019.9/3580B

CRANKSHAFT, FLYWHEEL, CAMSHAFT,  
PISTON AND ROD GROUP

ALL ENGINE PARTS MUST BE PURCHASED THROUGH AND SERVICE PERFORMED BY YOUR LOCAL ONAN DEALER.



### REPAIR PARTS

20T GARDEN TRACTOR-MODEL NO. T9329AR  
ONAN ENGINE-MODEL NO. N52M-GA019.9/3580B

CRANKSHAFT, FLYWHEEL, CAMSHAFT,  
PISTON AND ROD GROUP

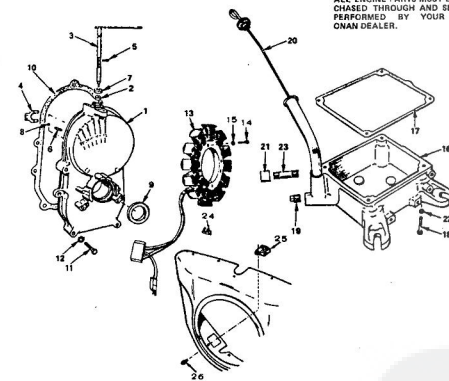
| KEY NO. | PART NO.             | DESCRIPTION  |
|---------|----------------------|--|
| 1       | 104-0170             | Cap Screw (Special)                                    |
| 2       | 850-0055             | Lockwasher, Spring (7/16")                             |
| 3       | 526-0267             | Flat Washer (15/16" I.D. x 1 - 1/2" O.D. x .31" Thick) |
| 4       | 821-0014             | Cap Screw, Hex Head Locking (5/16 - 18 x 1/2")         |
| 5       | 815-0400             | Screw, Truss Hd. Mach. w/Ext. Lw. (1/4 - 20 x 1 1/2")  |
| 6       | 134-3212             | Flywheel, Guard  |
| 7       | 134-2740             | Flywheel (Inc. Ring Gear and Magnet)                   |
| 8       | 104-0178             | Ring Gear  |
| 9       | 518-0014             | Retaining Ring   |
| 10      | 104-0043             | Retaining Washer                                       |
| 11      | 104-0032             | Gear   |
| 12      | 515-0237             | Flywheel Key   |
| 13      | 515-0001             | Gear Key   |
| 14      | 104-1048             | Crankshaft   |
| 15      | 515-0103             | Key  |
| 16      | 160-0078             | Retaining Ring   |
| 17      | 160-1519             | Hub  |
| 18      | 160-1520             | Cup  |
| 19      | 510-0015             | Flyball  |
| 20      | 160-1257             | Spacer   |
| 21      | 160-0071             | Plate  |
| 22      | 106-0332             | Gear Assembly (Inc. Plate and Spacer)                  |
| 23      | 105-0054             | Thrust Washer  |
| 24      | 100-0075             | Center Pin   |
| 25      | 515-0001             | Key  |
| 26      | 105-0282             | Camshaft (Includes Center Pin)                         |
| 27      | PISTON AND ROD GROUP |  |
|         | 112-0198             | Standard   |
|         | 112-0198-05          | .005" Oversize   |
|         | 112-0198-10          | .010" Oversize   |
|         | 112-0198-20          | .020" Oversize   |
|         | 112-0198-30          | .030" Oversize   |
|         | 112-0198-40          | .040" Oversize   |
| 28      | 112-0088             | Piston Pin   |
| 29      | 018-0294             | Retaining Ring   |
| 30      | CONNECTING ROD       |  |
|         | 114-0295             | Standard   |
|         | 114-0295-10          | .010" Undersize  |
|         | 114-0295-20          | .020" Undersize  |
|         | 144-0295-30          | .030" Undersize  |
| 31      | 890-0036             | Rod Cap Bolt   |
| 34      | RING SET             |  |
|         | 113-0203             | Standard   |
|         | 113-0203-05          | .005" Oversize   |
|         | 113-0203-10          | .010" Oversize   |
|         | 113-0203-20          | .020" Oversize   |
|         | 113-0203-30          | .030" Oversize   |
|         | 113-0203-40          | .040" Oversize   |

### REPAIR PARTS

20T GARDEN TRACTOR-MODEL NO. T9329AR  
ONAN ENGINE-MODEL NO. N52M-GA019.9/3580B

OIL BASE AND GEARCASE GROUP

ALL ENGINE PARTS MUST BE PURCHASED THROUGH AND SERVICE PERFORMED BY YOUR LOCAL ONAN DEALER.



| KEY NO. | PART NO.            | DESCRIPTION  | KEY NO. | PART NO. | DESCRIPTION                                       |
|---------|---------------------|--|---------|----------|---|
| 1       | 103-0498            | Gearcase Assembly (Inc. Parts Marked *)                      | 13      | 191-1218 | Stator  |
| 2       | 510-0105            | *Bearing   | 14      | 813-0108 | Round Head Machine Screw (No. 10 - 32 x 1 - 1/2") |
| 3       | 150-1410            | *Shaft and Arm   | 15      | 850-0030 | Lockwasher (No. 10)                               |
| 4       | 150-1187            | *Yoke  | 16      | 102-0789 | Oil Base  |
| 5       | 815-0046            | *Flat Head Machine Screw (No. 8 - 32 x 3/8")                 | 17      | 102-0894 | Oil Base Gasket                                   |
| 6       | 516-0130            | *Dowel Pin   | 18      | 800-0965 | Hex Head Cap Screw (3/8 - 16 x 1 - 1/4")          |
| 7       | 509-0038            | *Oil Seal  | 20      | 123-1392 | Cap and Indicator                                 |
| 8       | 510-0014            | *Bolt  | 21      | 506-0198 | Oil Drain Cap, Plug (1 1/2")                      |
| 9       | 509-0040            | *Oil Seal  | 22      | 850-0950 | Lockwasher (3/8")                                 |
| 10      | 103-0498            | Gasket   | 23      | 505-0735 | Oil Drain Plug, Plug (1 1/2 x 3 - 1/2")           |
| 11      | CAP SCREW, HEX HEAD |  | 24      | 187-0218 | Support Alternator Leads                          |
|         | 800-8022            | 5/16 - 18 x 1 3/4"   | 25      | 191-1206 | Regulator, Voltage (15 Amp)                       |
|         | 800-0034            | 5/16 - 18 x 2 1/4"   | 26      | 821-0010 | Hex Head Cap Screw (1/4 - 20 x 1/2")              |
| 12      | 526-0065            | Flat Washer, Copper (21.64" I.D. x 9/16" O.D. x 1/16" Thick) |         |          |   |

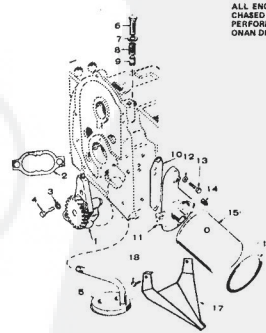
\* Parts included in 103-0498 Gearcase Assembly

### REPAIR PARTS

20T GARDEN TRACTOR-MODEL NO. T9329AR  
ONAN ENGINE-MODEL NO. N52M-GA019.9/3580B

OIL SYSTEM GROUP

ALL ENGINE PARTS MUST BE PURCHASED THROUGH AND SERVICE PERFORMED BY YOUR LOCAL ONAN DEALER.

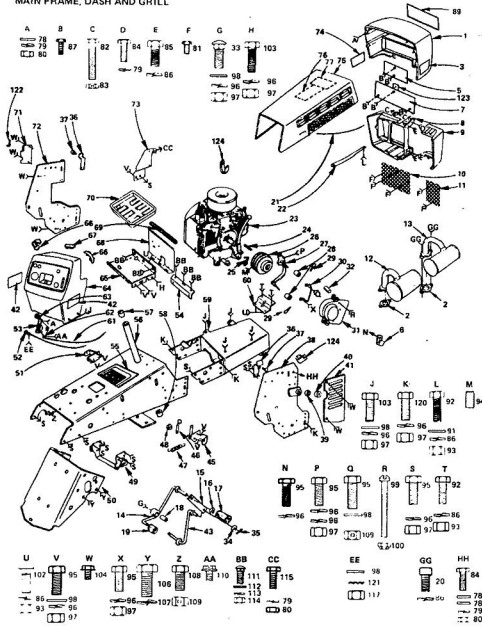


| KEY NO. | PART NO. | DESCRIPTION  |
|---------|----------|--|
| 1       | 120-0491 | Oil Pump   |
| 2       | 120-0101 | Pump Gasket Kit  |
| 3       | 850-0040 | Lockwasher, Spring (1/4")                                    |
| 4       | 800-0007 | Cap Screw, Hex Head (1/4 - 20 - 1")                          |
| 5       | 120-0713 | Oil Intake Cup   |
| 6       | 801-0050 | Cap Screw, Hex Head (3/8 - 24 x 1")                          |
| 7       | 526-0066 | Flat Washer, Copper (15/64" I.D. x 9/16" O.D. x 1/16" Thick) |
| 8       | 120-0140 | Spring   |
| 9       | 120-0398 | By Pass Valve  |
| 10      | 122-0231 | Gasket   |
| 11      | 122-0320 | Oil Filter Adapter   |
| 12      | 506-0055 | Flat Washer, Copper (21/64" I.D. x 9/16" O.D. x 1/16" Thick) |
| 13      | 800-0028 | Cap Screw, Hex Head (5/16 - 18 x 1")                         |
| 14      | 506-0057 | Plug (1/8")  |
| 15      | 123-0489 | Oil Filter   |
| 16      | 123-0347 | Oil Filter Air Seal  |
| 17      | 122-0320 | Oil Drain  |
| 18      | 815-0194 | Cap Screw Hex Head W/E (No. 10 - 32 x 3/8")                  |

**REPAIR PARTS**

20T GARDEN TRACTOR-MODEL NUMBER T9329BR

MAIN FRAME, DASH AND GRILL



**REPAIR PARTS**

20T GARDEN TRACTOR-MODEL NUMBER T9329BR

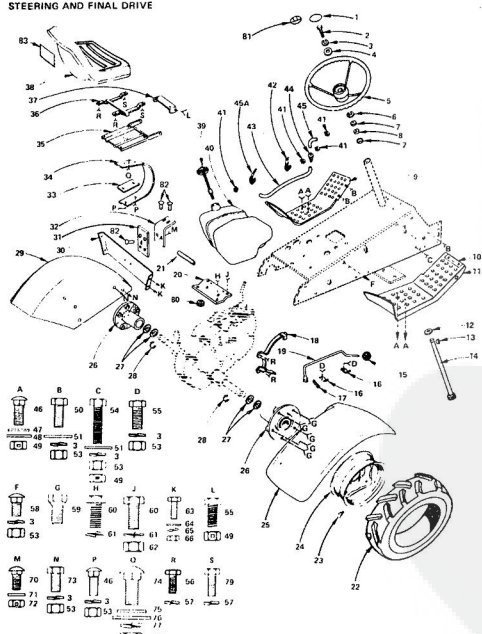
MAIN FRAME, DASH AND GRILL

| KEY NO. | PART NO.  | DESCRIPTION                             | KEY NO.                             | PART NO. | DESCRIPTION   |
|---------|-----------|---|-------------------------------------|----------|---|
| 1       | 911J      | Grill - Upper                           | 66                                  | 1998R    | Clip - Dashboard  |
| 2       | 116E1     | Gasket - Exhaust Manifold               | 67                                  | 6571R    | Clip - Dashboard, Center  |
| 3       | 1591J     | Decal                                   | 68                                  | 107J     | Battery Heat Shield   |
| 4       | 290J      | Grill Panel - Upper                     | 69                                  | 7874R    | Hood Seal   |
| 5       | 870J      | Capic Clip                              | 70                                  | 8858R    | Battery Tray  |
| 6       | 291J      | Grill Panel - Lower                     | 71                                  | 86J      | Cover - L.H.  |
| 7       | 998J      | Grill - Lower                           | 72                                  | 1182J    | Bracket - Battery Support - L.H.                                    |
| 8       | 7538R     | Grill Side                              | 73                                  | 1181J    | Bracket - Receiver  |
| 9       | 2614R     | Grill Screen - L.H.                     | 74                                  | 1590J    | Decal   |
| 10      | 2612R     | Grill Screen - R.H.                     | 75                                  | 634A50T  | Hood Assy.  |
| 11      | 1157J     | Muffler - Front                         | 76                                  | 8028R    | Decal - Instruction   |
| 12      | 1156J     | Muffler - Rear                          | 77                                  | 8080R    | Decal - Wiring  |
| 13      | 634A901   | Clutch Pedal                            | 78                                  | 1006P    | *Washer 9/32 x 5/8 x 18 Ga.   |
| 14      | 89J       | Link                                    | 79                                  | 1002P    | *Lockwasher 1/4   |
| 15      | 92J       | Push-On Nut                             | 80                                  | 503P     | *Hex Nut 1/4 - 20 UNC   |
| 16      | 93J       | Rubber Pad                              | 81                                  | 5501P    | Phillips Pan Hd. Thd. Self Tap 10 - 24 x 3/8 Type 1                 |
| 17      | 91J       | Pivot Spacer                            | 82                                  | 3257P    | *Hex Bolt 1/4 - 20 x 1 - 1/2 Grade 5                                |
| 18      | 207J      | Foot Pedal                              | 83                                  | 1605H    | *Locknut 1/4 - 20 UNC   |
| 19      | 236P      | Soc. Hd. Cap Screw 5/16 - 18 x 3/4      | 84                                  | 3003P    | *Hex Bolt 1/4 - 20 x 3/4  |
| 20      | 8058R     | Grill Cable                             | 85                                  | 3010P    | *Hex Bolt 5/16 - 18 x 3/4   |
| 21      | 873J      | Grill Brace                             | 86                                  | 1003P    | *Lockwasher 5/16  |
| 22      | 18.90560B | Engine, Orion 20 H.P.                   | 87                                  | 5554P    | Phillips Pan Hd. Thd. Self Tap 10 - 18 Hi-Lo Thd. x 1/2 Blunt Point |
| 23      | 939E      | So. Key 1/4 x 2                         | 88                                  | 245J     | Decal - Room  |
| 24      | 8245R     | Belt Retainer Finger                    | 89                                  | 1537P    | *Washer 11/32 x 11/16 x 18 Ga.                                      |
| 25      | 634A925   | Engine Pulley (Inc. Key No. 84)         | 90                                  | 3011P    | *Hex Bolt 5/16 - 18 x 1   |
| 26      | 634A927   | Belt Guide Weldment                     | 91                                  | 504P     | Hex Forged Socket Headless Set Screw CF 5/16 - 18 x 1/2 - Nylok     |
| 27      | 8704H1    | Retainer Spring                         | 92                                  | 3002P    | *Hex Bolt 3/8 - 16 x 1  |
| 28      | 4539M     | Belt Spring                             | 93                                  | 5004P    | *Lockwasher 3/8   |
| 29      | 9011H     | Carriage Bolt 3/8 - 16 x 2 - 1/4        | 94                                  | 5017P    | *Hex Nut 3/8 - 16 UNC   |
| 30      | 634A959   | Belt Guard Weldment                     | 95                                  | 5017P    | *Hex Nut 3/8 - 16 UNC   |
| 31      | 8245R     | Retainer Finger                         | 96                                  | 1004P    | Washer 13/32 x 7/16 x 11 Ga.  |
| 32      | 50P       | Carriage Bolt 3/8 - 16 x 2 - 1/4        | 97                                  | 5017P    | *Hex Nut 3/8 - 16 UNC   |
| 33      | 1845R     | *Cotter Pin 1/8 x 1                     | 98                                  | 1005P    | Washer 13/32 x 7/16 x 11 Ga.  |
| 34      | 634A900   | Hood Latch                              | 99                                  | 3154P    | Std. Fil. Hd. Machine Screw 1/4 - 20 x 2 - 1/4                      |
| 35      | 8457R     | Support Bumper                          | 100                                 | 347H     | Hexlock Nut 1/4 - 20 UNC  |
| 36      | 634A903   | Battery Support Bracket (Inc. Key 30)   | 101                                 | 67P      | *Carriage Bolt 5/16 - 18 x 3/4                                      |
| 37      | 7764R     | Cap                                     | 102                                 | 3025P    | *Hex Bolt 3/8 - 16 x 1 - 1/4  |
| 38      | 8008R     | Cap                                     | 103                                 | 8857P    | Hex Washer Hd. Thd. Cutting Screw 1/4 - 20 x 1/2 x 11 Ga.           |
| 39      | 7798R     | Cover - R.H.                            | 104                                 | 3035P    | *Hex Bolt 7/16 - 14 x 1 - 1/4                                       |
| 40      | 1420J     | Decal - 20                              | 105                                 | 1001P    | *Lockwasher 7/16  |
| 41      | 634A922   | Link Weldment                           | 106                                 | 3021P    | *Hex Bolt 3/8 - 16 x 3/4  |
| 42      | 634A785   | Hanger Weldment R.H. - Front            | 107                                 | 634H     | Locknut 3/8 - 16 UNC  |
| 43      | 7944R     | Belt Tightener Arm                      | 108                                 | 3024P    | Hex Std. Hd. Machine Screw w/SemS                                   |
| 44      | 7946R     | Support Bumper                          | 109                                 | 6065P    | Int. Tooth Lockwasher 10 - 32 x 1/4                                 |
| 45      | 7810H     | Locknut 3/8 - 24 UNF                    | 110                                 | 53P      | Std. Neck Carriage Bolt 10 - 24 x 1/2                               |
| 46      | 634A814   | Hanger Weldment - Rear                  | 111                                 | 1533P    | *Washer 7/32 x 7/16 x 18 Ga.  |
| 47      | 634A787   | Drawer and Weldnuts                     | 112                                 | 1006P    | *Lockwasher No. 10  |
| 48      | 634A855   | Hanger Weldment - L.H. - Front          | 113                                 | 505P     | *Hex Nut 1/4 - 20 UNC   |
| 49      | 7931R     | Choke Control                           | 114                                 | 3114P    | *Hex Bolt 1/4 - 20 x 1/2  |
| 50      | 1510J     | Throttle Control (Inc. Key 61, 62 & 63) | 115                                 | 515P     | *Hex Nut 3/8 - 24 UNF   |
| 51      | 97J       | Alductor Bar                            | 120                                 | 3137P    | *Hex Bolt 3/8 - 16 x 1 - 1/4 Gr. 5                                  |
| 52      | 1566J     | Decal (Shift Pattern)                   | 121                                 | 1420P    | Ext. Tooth Lockwasher - 3/8   |
| 53      | 634A888   | Decal Assy. (Inc. Key 57 & 58)          | 122                                 | 9022     | Rubber Ergo   |
| 54      | 8468H     | Bearing                                 | 123                                 | 6768H    | Mounting Clip   |
| 55      | 4166H     | Engine Mount Assy.                      | 124                                 | 2751R    | Mounting Clip   |
| 56      | 634A908   | Engine Mount Assy.                      | *STANDARD HARDWARE PURCHASE LOCALLY |          |   |
| 57      | 96J       | Roller                                  |                                     |          |   |
| 58      | 96J       | Roller                                  |                                     |          |   |
| 59      | 96J       | Roller                                  |                                     |          |   |
| 60      | 96J       | Roller                                  |                                     |          |   |
| 61      | 96J       | Roller                                  |                                     |          |   |
| 62      | 96J       | Roller                                  |                                     |          |   |
| 63      | 96J       | Roller                                  |                                     |          |   |
| 64      | 96J       | Roller                                  |                                     |          |   |
| 65      | 105J      | Battery Support                         |                                     |          |   |

**REPAIR PARTS**

20T GARDEN TRACTOR-MODEL NUMBER T9328BR

STEERING AND FINAL DRIVE



**REPAIR PARTS**

20T GARDEN TRACTOR-MODEL NUMBER T9328BR

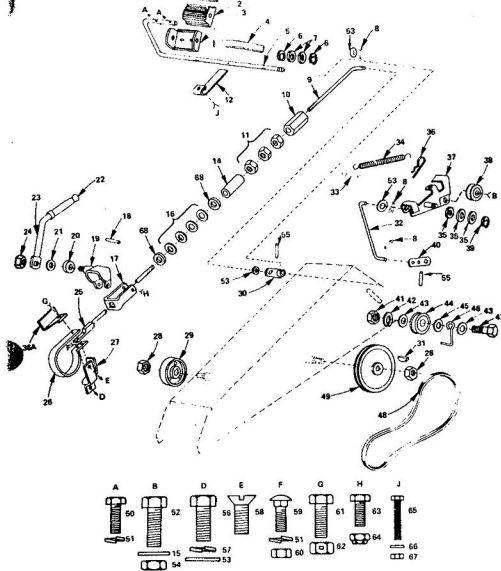
STEERING AND FINAL DRIVE

| KEY NO. | PART NO. | DESCRIPTION                       | KEY NO.                             | PART NO. | DESCRIPTION   |
|---------|----------|-----------------------------------|-------------------------------------|----------|---|
| 1       | 9719R    | Steering Wheel Insert             | 46                                  | 61P      | Std. Nk. Shk. Car. Bolt 3/8 - 16 x 1 Gr. 5              |
| 2       | 3022P    | *Hex Bolt 3/8 - 16 x 1            | 47                                  | 1513P    | *Washer 13/32 x 13/16 x 18 Ga.                          |
| 3       | 1004P    | *Lockwasher 3/8                   | 48                                  | 1518P    | *Washer 15/32 x 1 x 12 Ga.                              |
| 4       | 1655P    | *Washer 7/16 x 1 x 10 Ga.         | 49                                  | 5794H    | Locknut 3/8 UNC   |
| 5       | 3644R    | E-Ring                            | 50                                  | 3025P    | *Hex Bolt 3/8 - 16 x 1 - 1/4                            |
| 6       | 5003P    | E-Ring                            | 51                                  | 1553P    | *Washer 13/32 x 13/16 x 11 Ga.                          |
| 7       | 9021H    | Cap                               | 52                                  | 501P     | *Hex Nut 3/8 - 16 UNC                                   |
| 8       | 5949H    | Rubber Bushing                    | 53                                  | 2027P    | *Hex Nut 3/8 - 16 x 1/2                                 |
| 9       | 7932R    | Foot Rest - L.H.                  | 54                                  | 2027P    | *Hex Nut 3/8 - 16 x 1/2                                 |
| 10      | 8000R    | Decal (Attach. Clutch)            | 55                                  | 3010P    | *Hex Bolt 5/16 - 18 x 3/4                               |
| 11      | 7904H    | Foot Rest - R.H.                  | 56                                  | 1003P    | *Lockwasher 5/16  |
| 12      | 1655P    | *Washer 7/16 x 1 x 10 Ga.         | 57                                  | 1003P    | *Lockwasher 5/16  |
| 13      | 8058R1   | Woodruff Key 3/16 x 5/8           | 58                                  | 18P      | *Std. Neck Carriage Bolt 3/8 - 16 x 3/4                 |
| 14      | 634A926  | Steering Shaft and Pinion         | 59                                  | 1304H    | Hub Bolt  |
| 15      | 6344H    | Control Knob                      | 60                                  | 3034P    | *Hex Bolt 7/16 - 14 x 1                                 |
| 16      | 6344H    | Shift Rod Brackets                | 61                                  | 1001P    | *Lockwasher 7/16  |
| 17      | 2511P    | *Cotter Pin 3/16 x 1              | 62                                  | 500P     | *Hex Nut 7/16 - 14 UNC                                  |
| 18      | 634A924  | Bolt Guide                        | 63                                  | 3003P    | *Hex Bolt 1/4 - 20 x 3/4                                |
| 19      | 6477H    | Range Shift Rod                   | 64                                  | 1006P    | *Washer 9/32 x 5/8 x 16 Ga.                             |
| 20      | 9689R    | Transmission Bracket              | 65                                  | 1002P    | *Lockwasher 1/4   |
| 21      | 8974R    | Seat Stop                         | 66                                  | 503P     | *Hex Nut 1/4 - 20 UNC                                   |
| 22      | 7568R    | Rear Tire 23 x 10.50 - 12 Chevron | 67                                  | 18P      | *Short Shoulder Std. Neck Carriage Bolt 5/16 - 18 x 3/4 |
| 23      | 789R     | Tire Valve                        | 68                                  | 18P      | *Short Shoulder Std. Neck Carriage Bolt 5/16 - 18 x 3/4 |
| 24      | 3635R    | Rear Wheel                        | 69                                  | 18P      | *Short Shoulder Std. Neck Carriage Bolt 5/16 - 18 x 3/4 |
| 25      | 9658R    | Fender - R.H.                     | 70                                  | 18P      | *Short Shoulder Std. Neck Carriage Bolt 5/16 - 18 x 3/4 |
| 26      | 634A932  | Wheel Hub - Rear                  | 71                                  | 18P      | *Short Shoulder Std. Neck Carriage Bolt 5/16 - 18 x 3/4 |
| 27      | 7569R    | Anti-Theft Washer                 | 72                                  | 18P      | *Short Shoulder Std. Neck Carriage Bolt 5/16 - 18 x 3/4 |
| 28      | 5845R    | Retaining Ring                    | 73                                  | 52P      | *Carriage Bolt 1/2 - 13 x 1 - 1/4 Gr. 5                 |
| 29      | 9637R    | Fender - L.H.                     | 74                                  | 1578P    | *Washer 3/4 x 1 - 1/8 x 11 Ga.                          |
| 30      | 2655R    | Bracket - Tail Light              | 75                                  | 1660P    | *Washer 11/32 x 1/2 x 11 Ga.                            |
| 31      | 126J     | Seat Stop Bracket                 | 76                                  | 1660P    | *Washer 11/32 x 1/2 x 11 Ga.                            |
| 32      | 126J     | Seat Stop Bracket                 | 77                                  | 1000P    | *Lockwasher 1/2   |
| 33      | 8141H    | Seat Spring Reinforcement         | 78                                  | 5029P    | *Hex Nut 1/2 - 12 UNC                                   |
| 34      | 7888R    | Seat Spring                       | 79                                  | 3159P    | *Hex Bolt 5/16 - 18 x 7/8                               |
| 35      | 634A716  | Seat Plate Weldments              | 80                                  | 6547R    | Rubber Grommet  |
| 36      | 634A532  | Seat Bracket Weldment             | 81                                  | 2751     | Steering Wheel (Inc.)                                   |
| 37      | 7837R    | Bracket, Seat Pivot               | 82                                  | 124J     | Rubber Bumper   |
| 38      | 9146R    | Seat                              | 83                                  | 245J     | Decal - Roper   |
| 39      | 2329J    | Fuel Gauge                        | 84                                  | 245J     | Decal - Roper   |
| 40      | 7855R    | Fuel Tank                         | 85                                  | 2102J    | Warranty Label  |
| 41      | 6999R    | Fuel Line Clamp                   | 86                                  | 2101J    | Owner's Manual  |
| 42      | 2751R    | Clip - Fuel Line                  | *STANDARD HARDWARE PURCHASE LOCALLY |          |   |
| 43      | 897J     | Fuel Line                         |                                     |          |   |
| 44      | 7741R    | In-Line Filter                    |                                     |          |   |
| 45      | 903J     | Fuel Line Elbow                   |                                     |          |   |
| 46      | 929/R    | Clip - Fuel Line                  |                                     |          |   |

Click Here to upgrade to Unlimited Pages and Expanded Features

**REPAIR PARTS**

20T GARDEN TRACTOR-MODEL NUMBER T9329BR  
BRAKE AND CLUTCH



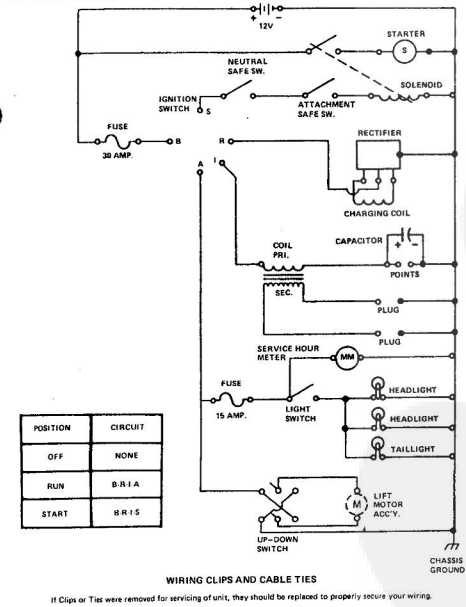
**REPAIR PARTS**

20T GARDEN TRACTOR-MODEL NUMBER T9329BR  
BRAKE AND CLUTCH

| KEY NO. | PART NO. | DESCRIPTION                       | KEY NO. | PART NO. | DESCRIPTION                                   |
|---------|----------|-----------------------------------|---------|----------|---|
| 1       | 889R     | Insert Clutch Brake               | 37      | 634A/754 | Idler Bracket Mounting                        |
| 2       | 880R     | Front Pinion                      | 38      | 6650H    | Idler   |
| 3       | 876H     | Front Pinion Bracket              | 39      | 5007P    | E Ring  |
| 4       | 9008H    | Spring                            | 40      | 634A/88H | Shim Washers Assembly                         |
| 5       | 1114     | Front Pinion Shaft                | 41      | 600P     | *Hex Nut 7/16 1/4 UNC                         |
| 6       | 5003P    | E Ring                            | 42      | 1001P    | Lockwasher 7/16                               |
| 7       | 1077P    | Washer 21/32 x 7/8 x 1/16 Ga.     | 43      | 1548P    | Full Inlet                                    |
| 8       | 2005P    | Cotter Pin 1/8 x 3/4              | 44      | 6650H    | Full Inlet                                    |
| 9       | 2005H    | Brake Rod - Front                 | 45      | 1520P    | Washer 489 LD x 1 1/8 x 11 Ga.                |
| 10      | 6817H    | Turboclock                        | 46      | 6478H    | Ball Finger                                   |
| 11      | 501P     | *Hex Nut 3/8 1/8 UNC              | 47      | 3200P    | V Bolt  |
| 12      | 7823R    | Safety Start Actuator             | 48      | 2602R    | Pinion, Transmission                          |
| 14      | 2003H    | Housing                           | 49      | 6463H    | Pinion, Transmission                          |
| 15      | 1527P    | Washer 13/32 x 13/16 x 11 Ga.     | 50      | 3003P    | *Hex Bolt 1/4 20 x 3/4                        |
| 16      | 2003H    | Spareng Washer                    | 51      | 1002P    | Lockwasher 1/4                                |
| 17      | 9888R    | Parking Brake Yoke                | 52      | 3341P    | *Pin. Hex Bolt 3/8 24 x 1                     |
| 18      | 170H     | Roll Pin                          | 53      | 1513P    | *Washer 13/32 x 13/16 x 16 Ga.                |
| 19      | 624A/887 | Lock Bracket Assembly             | 54      | 544P     | *Hex Jam Nut 3/8 24 UNF                       |
| 20      | 2021H    | Parking Brake Spacer              | 55      | 8142H    | Roll Pin                                      |
| 21      | 5096H    | Spareng Washer                    | 56      | 3022P    | *Hex Bolt 3/8 16 x 7/8                        |
| 22      | 6279H    | Handle Grip                       | 57      | 1004P    | Lockwasher 3/8                                |
| 23      | 6264H/1  | Parking Lock Handle Assembly      | 58      | 2164P    | *Flat Hd. Machine Screw Undercut 3/8 16 x 3/4 |
| 24      | 7819H    | Grass Control Lock Nut 3/8-24 UNF | 59      | 11P      | *5/16 Neck Grass Nut 1/4 20 x 5/8             |
| 25      | 6264H/2  | Brake Rod Assembly                | 60      | 600P     | *Hex Nut 1/4 20 UNC                           |
| 26      | 673A/211 | Brake Band Assembly               | 61      | 3158P    | *Hex Bolt 5/16 18 x 7/8                       |
| 27      | 6264H/3  | Brake Rod Assembly                | 62      | 1685H    | Locknut 5/16 18 UNC                           |
| 28      | 5024H    | Lock Nut 1/2-20 UNF               | 63      | 3244P    | *Hex Bolt 1/4 28 x 5/8 Gr. 5                  |
| 29      | 6264H/4  | Brake Rod Assembly                | 64      | 8071H    | Hublock Nut 1/4 28 UNF                        |
| 30      | 624A/889 | Brake Drum                        | 65      | 3326P    | *Hex Hd. Mach. Screw 5/32 x 1                 |
| 31      | 9888M    | Woodruff Key                      | 66      | 1562P    | Washer 5/32 x 5/8 x 20 Ga.                    |
| 32      | 5028R    | Brake Foot                        | 67      | 562P     | Conerlock Nut 6 22 UNC                        |
| 33      | 2514P    | Cotter Pin 1/4 x 1                | 68      | 1662P    | Washer 13/32 x 5/8 x 11 Ga.                   |
| 34      | 6888H    | Spring                            |         |          |   |
| 35      | 1587P    | *Washer 1/2 x 1 - 1/16 x 21 Ga.   |         |          |   |
| 36      | 6029M    | Retainer Spring                   |         |          |   |
| 36A     | 5444     | Moose Shield                      |         |          |   |

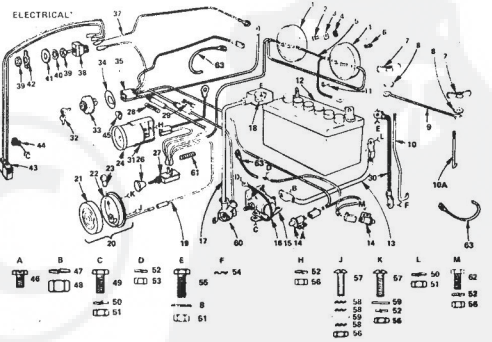
**REPAIR PARTS**

20T GARDEN TRACTOR-MODEL NUMBER T9329BR  
SCHEMATIC DIAGRAM



**REPAIR PARTS**

20T GARDEN TRACTOR-MODEL NUMBER T9329BR  
ELECTRICAL



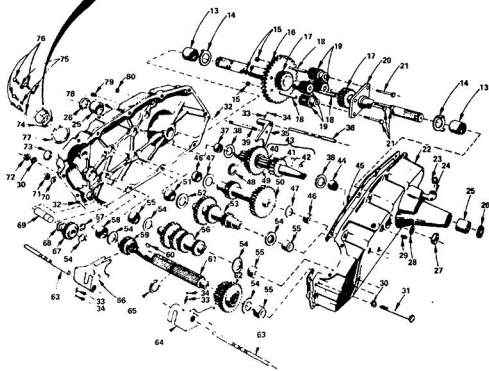
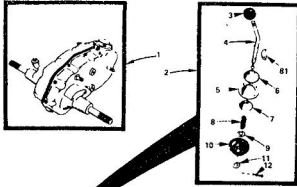
| KEY NO. | PART NO. | DESCRIPTION  | KEY NO. | PART NO. | DESCRIPTION   |
|---------|----------|--|---------|----------|---|
| 1       | 6452R    | Headlight  | 33      | 2683R    | Ignition Switch   |
| 2       | 5554P    | Phillips Pan Hd. Thd. Cutting Screw No. 10 x 1 1/2 | 34      | 8658R    | Terminal Identifier   |
| 3       | 8768H    | Mounting Clip                                      | 37      | 9608R    | Wire, Ground Lift Switch  |
| 4       | 8768H/1  | Rubber Spacer                                      | 38      | 8984R    | Switch, Elec. Lift  |
| 5       | 8031R    | Headlight Ground Wire                              | 39      | 566P     | *Hex Nut, Steel 7/16 32 NS 2A                                       |
| 6       | 9197H    | Hook   | 40      | 7131R    | Lockwasher, Internal Tooth  |
| 7       | 3748M    | Wing Nut 1/4 - 20 UNC                              | 41      | 1518P    | Washer 13/32 x 13/16 x 16 Ga.                                       |
| 8       | 1506P    | Washer 9/32 x 5/8 x 16 Ga.                         | 42      | 9348R    | Switch Plate  |
| 9       | 7954R    | Battery Clamp                                      | 43      | 8984R    | Lift Motor Harness  |
| 10      | 2685R    | Battery Bolt                                       | 44      | 5320R    | Clip, Wire  |
| 10A     | 887      | Insulated Strap                                    | 45      | 8915H    | Clip  |
| 11      | 4171R    | Battery  | 46      | 9534P    | Slothead Hex Internal Hd. Self Tapping Screw No. 10 28 x 3/8 Type 1 |
| 12      | 226L     | Battery  | 47      | 1003P    | Lockwasher 5/16   |
| 13      | 2235R    | Chassis - Solenoid to Start                        | 48      | 638P     | *Hex Jam Nut 5/16 24 UNF  |
| 14      | 7755R    | Safety Switch                                      | 49      | 3116P    | *Hex Bolt 1/4 20 x 5/8  |
| 15      | 7754R    | Solenoid   | 50      | 1002P    | Lockwasher 1/4  |
| 16      | 8027R    | Wire - Ground to Solenoid                          | 51      | 600P     | *Hex Nut 1/4 20 UNC   |
| 17      | 116L     | Battery Cable                                      | 52      | 1005P    | Lockwasher No. 10   |
| 18      | 275L     | Terminal Cover                                     | 53      | 554P     | *Hex Nut No. 10 32 UNF  |
| 19      | 8030R    | Light Harness                                      | 54      | 1402P    | *Hex Bolt 1/4 20 x 3/8  |
| 20      | 8098H    | Taillight (Inc. Key No's. 21, 22, & 23)            | 55      | 500P     | *Hex Nut No. 10 24 UNC  |
| 21      | 8227H    | Light  | 56      | 260P     | *Hex Bolt 1/4 20 x 3/8  |
| 22      | 8259H    | Housing - Taillight                                | 57      | 600P     | *Hex Nut No. 10 24 UNC  |
| 23      | 8259H    | Housing - Taillight                                | 58      | 260P     | *Hex Bolt 1/4 20 x 3/8  |
| 24      | 7153R    | Maintenance Meter                                  | 59      | 500P     | *Hex Nut No. 10 24 UNC  |
| 25      | 7185R    | Light Switch Knob                                  | 60      | 1404P    | Ext. Tooth Lockwasher No. 10  |
| 26      | 7213R    | Light Switch                                       | 61      | 1604P    | *Hex Hd. Mach. Screw 7/32 x 2 1/8 Ga.                               |
| 27      | 7213R    | Light Switch                                       | 62      | 3218P    | *Hex Hd. Mach. Screw No. 10 24 x 1/2                                |
| 28      | 7213R    | Light Switch                                       | 63      | 1320R    | Cotter Pin  |
| 29      | 7213R    | Light Switch                                       | 64      | 3218P    | *Hex Hd. Mach. Screw No. 10 24 x 1/2                                |
| 30      | 7213R    | Light Switch                                       | 65      | 1320R    | Cotter Pin  |
| 31      | 7213R    | Light Switch                                       | 66      | 3218P    | *Hex Hd. Mach. Screw No. 10 24 x 1/2                                |
| 32      | 7213R    | Light Switch                                       | 67      | 1320R    | Cotter Pin  |
| 33      | 7213R    | Light Switch                                       | 68      | 3218P    | *Hex Hd. Mach. Screw No. 10 24 x 1/2                                |
| 34      | 7213R    | Light Switch                                       | 69      | 1320R    | Cotter Pin  |



**REPAIR PARTS**

20T GARDEN TRACTOR-MODEL NUMBER T9329BR

TRANSAXLE



**REPAIR PARTS**

20T GARDEN TRACTOR-MODEL NUMBER T9329BR

TRANSAXLE

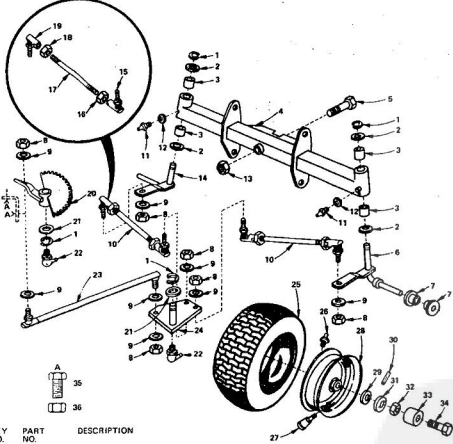
| KEY NO. | PART NO. | DESCRIPTION   | KEY NO. | PART NO. | DESCRIPTION                                      |
|---------|----------|---|---------|----------|--|
| 1       | 633A92   | Transaxle Assembly Left Brake Drum & Shift Lever (Inc. Key No's 13 thru 80) | 44      | 8119M    | Needle Bearing                                   |
| 2       | 633A87   | Gear Shift Lever Assembly (Inc. Key No's 1 thru 12 and 81)                  | 45      | 5975H    | Clutch Gearcase                                  |
| 3       | 6384H    | Control Knob  | 46      | 8117M    | Needle Bearing                                   |
| 4       | 8635R    | Gear Shift Lever  | 47      | 7395H    | Thrust Bearing Race                              |
| 5       | 633A85   | Gear Shift Ball Cover and Pin   | 48      | 6270H    | Snap Ring - Crescent Type                        |
| 6       | 8013R    | Gear Shift Cap  | 49      | 633A14   | High - Low Range Gears and Hub                   |
| 7       | 8159H1   | Shift Lever Guide Bolt  | 50      | 633A33   | 4th Reduction Shaft and Gears                    |
| 8       | 4924H    | Spring  | 51      | 7398H    | Needle Bearing                                   |
| 9       | 1525P    | Washer 15/32 x 59/64 x 18 Ga.   | 52      | 7395H    | Thrust Bearing Race                              |
| 10      | 8165R    | Shift Mechanism Seal  | 53      | 633A31   | 3rd Reduction Shaft and Gears                    |
| 11      | 1525P    | Washer 9/16 x 15/16 x 11 Ga.  | 54      | 1370H    | Thrust Bearing Race                              |
| 12      | 2025P    | Cotter Pin 3/4  | 55      | 4895H    | Sleeve Change Gears and Shaft                    |
| 13      | 2039R1   | Needle Bearing  | 56      | 633A30   | Needle Bearing                                   |
| 14      | 6256H    | Axle Thrust Washer  | 57      | 5001P    | E Ring   |
| 15      | 7810H    | Centerlock Graco Nut 3/8 - 24 UNF   | 58      | 4584H    | Needle Bearing                                   |
| 16      | 8622H    | Final Drive Gear  | 59      | 6231H    | Low Speed Pinion                                 |
| 17      | 633A73   | Axle Shaft and Gear   | 60      | 9658H1   | Woodruff Key                                     |
| 18      | 6252H1   | Ball Bearing - Differential Pinion  | 61      | 6218H    | Input Shaft                                      |
| 19      | 8957H    | Differential Pinion   | 62      | 633A11   | Intermediate and High Speed Pinions              |
| 20      | 6262H1   | Differential Case   | 63      | 6216H    | Shift Fork - R.H.                                |
| 21      | 3056P    | Hex Bolt 3/8 - 24 x 3 - 1/4   | 64      | 4218R    | Shift Fork - L.H.                                |
| 22      | 633A89   | Gear Case and Bearings - L.H.   | 65      | 4920H    | Snap Ring - Crescent Type                        |
| 23      | 4002P    | Pipe Plug 1/2 - 14 N.P.T.   | 66      | 6292H    | Shift Fork - R.H.                                |
| 24      | 4603P    | 90 Street Elbow 1/2 - 14 N.P.T.   | 67      | 1153R    | Reverse Idler Gear                               |
| 25      | 892R1    | Sintered Iron Bearing   | 68      | 7394H    | Reverse Idler Thrust Washer                      |
| 26      | 8004H    | Lock Nut  | 69      | 7384H    | Reverse Idler Shaft                              |
| 27      | 7393R    | Oil Seal  | 70      | 1676R    | Sealing Washer                                   |
| 28      | 8271H    | Oil Seal  | 71      | 541P     | Hex Jam Nut 7/16 - 20 UNF                        |
| 29      | 8004H    | Lock Nut  | 72      | 804P     | Hex Nut 5/16 - 18 UNC                            |
| 30      | 1007P    | Lockwasher 5/16 Extra Heavy   | 73      | 6270H    | Oil Seal   |
| 31      | 3067P    | Hex Bolt 5/16 - 18 x 1 - 1/2 G.S.   | 74      | 751      | Gear Shift Gate                                  |
| 32      | 8271H    | Oil Seal  | 75      | 1003P    | Lockwasher 5/16                                  |
| 33      | 6272H    | Spring - Shift Fork Detent  | 76      | 2158P    | Reverse Idler Thrust Washer                      |
| 34      | 7393R    | Oil Seal  | 77      | 8274H    | Gasket - Shift Ball Cover                        |
| 35      | 5202H    | Shift Fork High - Low Range   | 78      | 633000   | Gear Case, Reverse Idler Shaft and Bearings R.H. |
| 36      | 8271H    | High - Low Range Shift Fork Shaft Needle Bearing                            | 79      | 5855H    | Pressure Relief Valve                            |
| 37      | 8118M    | Needle Bearing  | 80      | 6269H    | Oil Seal   |
| 38      | 6266H    | Shift Bearing Race  | 81      | 7835M    | Woodruff Key                                     |
| 39      | 6215H    | High - Low Range Shift Shaft 3rd Reduction Gear Shaft                       |         |          |  |
| 40      | 6221H    | 4th Reduction Pinion  |         |          |  |
| 41      | 8692H    | Woodruff Key  |         |          |  |
| 42      | 2239M    | 3rd Reduction Shaft and Gear (Inc. Key No's 40, 41 & 42)                    |         |          |  |
| 43      | 633A32   |   |         |          |  |

\*STANDARD HARDWARE-PURCHASE LOCALLY

**REPAIR PARTS**

20T GARDEN TRACTOR-MODEL NUMBER T9329BR

FRONT AXLE



| KEY NO. | PART NO. | DESCRIPTION                             | KEY NO. | PART NO. | DESCRIPTION                     |
|---------|----------|---|---------|----------|---------------------------------|
| 1       | 5000P    | E-Ring                                  | 22      | 6842M    | Grease Fitting                  |
| 2       | 1525P    | Washer 15/16 x 1 - 1/4 x 14 Ga.         | 23      | 7837H    | Drive Link and Spring           |
| 3       | 1325H1   | Bearing                                 | 24      | 634A98   | Evening Self-Center Adjustment  |
| 4       | 634A521  | Front Axle w/Bearing (Inc. Key No. 3)   | 25      | 3536P    | Roller 1 1/2 x 1 1/2 x 1 1/2    |
| 5       | 3294P    | Hex Bolt 5/8 - 11 x 6 Grade 5           | 26      | 3636R    | Roller 1 1/2 x 1 1/2 x 1 1/2    |
| 6       | 634A277  | Sprockles Complete - R.H.               | 27      | 796R     | Roller 1 1/2 x 1 1/2 x 1 1/2    |
| 7       | 8040H    | Furcated Bearing                        | 28      | 3636R    | Roller When in Bearings         |
| 8       | 78124    | Graco Lock Nut 3/8 - 24 UNF             | 29      | 1525P    | Washer 15/32 x 1 - 1/2 x 18 Ga. |
| 9       | 20124    | Graco Washer 3/8 - 24 UNF               | 30      | 8778H    | Hex Washer                      |
| 10      | 7838R    | Graco Lock Nut 1/2 - 20 UNF             | 31      | 8783H    | Hex Washer                      |
| 11      | 6855M    | Graco Fitting                           | 32      | 4831H    | Elastic Nut 3/4 - 16 UNF        |
| 12      | 1525P    | Washer 9/32 x 1 1/2 x 14 Ga.            | 33      | 8783H    | Drive Coupler                   |
| 13      | 4794H    | Huglock Nut 5/8 - 11 UNC                | 34      | 3008P    | Hex Bolt 5/16 - 18 x 1/2        |
| 14      | 634A278  | Sprockles Complete - L.H.               | 35      | 3241P    | Hex Bolt 3/8 - 24 x 1           |
| 15      | 8515R    | Tie Rod Joint (R.H. Thread)             | 36      | 546P     | Hex Jam Nut 3/8 - 24 UNF        |
| 16      | 558P     | Hex Jam Nut 1/2 - 20 (L.H. Thread)      |         |          |                                 |
| 17      | 634A810  | Tie Rod and Nut (Inc. Key No's 16 & 18) |         |          |                                 |
| 18      | 558P     | Hex Jam Nut 1/2 - 20 (L.H. Thread)      |         |          |                                 |
| 19      | 8514R    | Tie Rod Joint (L.H. Thread)             |         |          |                                 |
| 20      | 634A813  | Steering Gear Sector and Arm            |         |          |                                 |
| 21      | 1525P    | Washer 49/64 x 1 - 1/4 x 16 Ga.         |         |          |                                 |

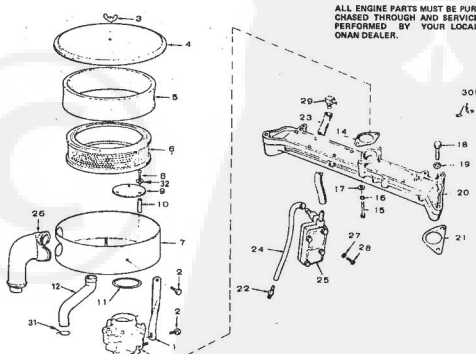
\*STANDARD HARDWARE-PURCHASE LOCALLY

**REPAIR PARTS**

20T GARDEN TRACTOR-MODEL NUMBER T9329BR

ONAN ENGINE-MODEL NO. N52M-GA019.9/3580B

FUEL SYSTEM GROUP



ALL ENGINE PARTS MUST BE PURCHASED THROUGH AND SERVICE PERFORMED BY YOUR LOCAL ONAN DEALER.

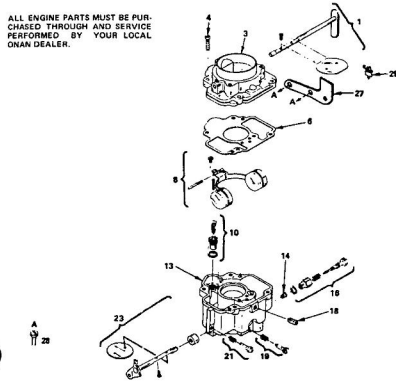
| KEY NO. | PART NO.  | DESCRIPTION   | KEY NO. | PART NO. | DESCRIPTION   |
|---------|-----------|---|---------|----------|---|
| 1       | 140-1459  | Air Cleaner Support                                   | 17      | 5260115  | Fuel Nozzle (11.32" I.D. x 11.16" O.D. x 1.16" Thick) |
| 2       | 821-0009  | Cap Screw, Hex Head Locking (114-30-1307)             | 18      | 800-0069 | Cap Screw, Hex Head (13.8 x 16 x 3")                  |
| 3       | 885-0020  | Wing Nut (114-201)                                    | 19      | 850-0050 | Lockwasher, Spring (3.8")                             |
| 4       | 140-1484  | Air Cleaner Cover                                     | 20      | 154-2029 | High-Material Gasket                                  |
| 5       | 140-1496  | Washer  | 21      | 154-1931 | Gasket  |
| 6       | 140-1225  | E-clip  | 22      | 542-1295 | Gasket  |
| 7       | 4-62-1498 | Air Filter Element                                    | 23      | 154-1931 | Gasket  |
| 8       | 8-5-2471  | Hex Head Nut, Hex Head (114-30-1307)                  | 24      | 502-2672 | Cap Screw, Hex Head (13.8 x 16 x 3")                  |
| 9       | 140-1530  | Diaphragm Plate                                       | 25      | 502-2672 | Cap Screw, Hex Head (13.8 x 16 x 3")                  |
| 10      | 140-1501  | Spacer  | 26      | 142-4296 | Cap Screw, Hex Head (13.8 x 16 x 3")                  |
| 11      | 509-0145  | Seal, "O" Ring  | 27      | 850-0025 | Lockwasher, Spring (3.8")                             |
| 12      | 121-1054  | Seal, "O" Ring  | 28      | 812-0075 | Roller Mount Machine Spring (Max B 32 x 1.4")         |
| 13      | 148-0271  | Collector Assembly (See Separate Draw for Components) | 29      | 502-6133 | Ellipse   |
| 14      | 154-0733  | Gasket  | 30      | 403-1490 | Lifting Bracket                                       |
| 15      | 800-0035  | Cap Screw, Hex Head (15.16 x 2 - 1.2")                | 31      | 6331121  | Hex Clamp   |
| 16      | 850-0045  | Lockwasher, Spring (5.16")                            | 32      | 850-0020 | Lockwasher (Max. 10)                                  |

### REPAIR PARTS

20T GARDEN TRACTOR—MODEL NUMBER T93298R  
ONAN ENGINE—MODEL NO. N52M-GA019.9/3580B

#### CARBURETOR PARTS GROUP

ALL ENGINE PARTS MUST BE PURCHASED THROUGH AND SERVICE PERFORMED BY YOUR LOCAL ONAN DEALER.



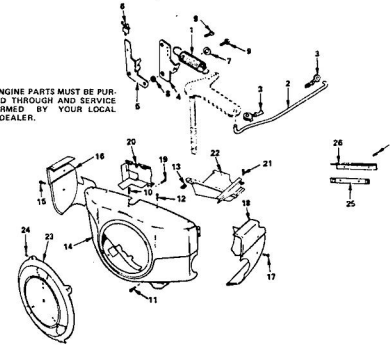
| KEY NO. | PART NO. | DESCRIPTION                      | KEY NO. | PART NO. | DESCRIPTION                          |
|---------|----------|----------------------------------|---------|----------|--------------------------------------|
| 1       | 146-0271 | Carburetor Assembly, Complete    | 18      | 146-0211 | Set Screw                            |
| 2       | 146-0290 | Choke Shaft Package              | 19      | 146-0209 | Needle Package                       |
| 3       | 146-0224 | Air Intake (Not Sold Separately) | 21      | 146-0251 | Screw Package                        |
| 4       | 146-0224 | Screw                            | 22      | 146-0270 | Throttle Shaft Package               |
| 5       | 146-0293 | Gasket                           | 27      | 153-0515 | Bracket, Choke Cable                 |
| 6       | 146-0292 | Float Assembly Package           | 28      | 821-0002 | Mounting Screw                       |
| 8       | 146-0272 | Valve and Seat Package           | 29      | 153-0514 | Cable Cup                            |
| 10      | 146-0228 | Power Jet                        | ---     | 146-0228 | Gasket Kit                           |
| 13      | 146-0238 | Power Needle Package             | ---     | 146-0228 | Repair Kit (Includes Parts Marked *) |
| 14      | 146-0214 |                                  | ---     | ---      |                                      |

### REPAIR PARTS

20T GARDEN TRACTOR—MODEL NUMBER T93298R  
ONAN ENGINE—MODEL NO. N52M-GA019.9/3580B

#### GOVERNOR AND AIR HOUSING GROUP

ALL ENGINE PARTS MUST BE PURCHASED THROUGH AND SERVICE PERFORMED BY YOUR LOCAL ONAN DEALER.



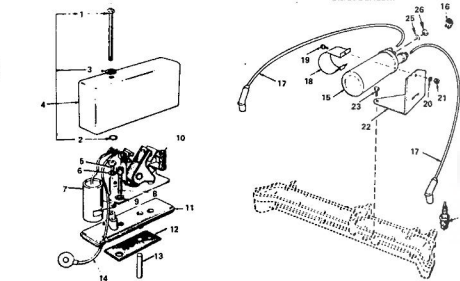
| KEY NO. | PART NO. | DESCRIPTION                                      | KEY NO. | PART NO. | DESCRIPTION                                     |
|---------|----------|--|---------|----------|---|
| 1       | 150-1214 | Governor Spring                                  | 15      | 815-0261 | Cap Screw, Hex Head Locking (1/4" x 20 x 7/16") |
| 2       | 150-1813 | Throttle Link                                    | 16      | 134-3448 | Air Housing, Left Side                          |
| 3       | 518-0204 | Clc  | 17      | 815-0261 | Cap Screw, Hex Head Locking (1/4" x 20 x 7/16") |
| 4       | 150-1576 | Governor Control Arm                             | 18      | 134-3448 | Air Housing, Right Side                         |
| 5       | 150-1725 | Governor Control Mounting Bracket                | 19      | 815-0261 | Cap Screw, Hex Head Locking (1/4" x 20 x 7/16") |
| 6       | 153-0514 | Cable Clip                                       | 20      | 134-2648 | Housing Support, Left Side                      |
| 7       | 525-0214 | Fuel Waker (1/2" I.D. x 1/2" O.D. x 1/16" Thick) | 21      | 821-0018 | Cap Screw, Hex Head Locking (1/4" x 20 x 5/8")  |
| 8       | 150-1269 | Bushing  | 22      | 134-3591 | Housing Support, Right Side                     |
| 9       | 821-0010 | Hex Head Cap Screw, Locking (1/4" x 20 x 1/2")   | 23      | 134-3589 | Housing, Screen                                 |
| 10      | 815-0261 | Cap Screw, Hex Head Locking (1/4" x 20 x 7/16")  | 24      | 815-0278 | Cap Screw, Hex Head w/ET (No. 14 x 1/2")        |
| 11      | 821-0010 | Cap Screw, Hex Head Locking (1/4" x 20 x 1/2")   | 25      | 134-3510 | Support Mounting Bracket                        |
| 12      | 815-0474 | Cap Screw, Tapping Hex Head (1/4" x 1/2")        | 26      | 134-3511 | Housing Support, Lower                          |
| 13      | 870-0107 | Nut, Lock (No. 14)                               | 27      | 821-0009 | Cap Screw, Hex Head Locking (1/4" x 20 x 3/8")  |
| 14      | 134-3747 | Air Housing                                      |         |          |   |

### REPAIR PARTS

20T GARDEN TRACTOR—MODEL NUMBER T93298R  
ONAN ENGINE—MODEL NO. N52M-GA019.9/3580B

#### IGNITION AND BREAKER BOX GROUP

ALL ENGINE PARTS MUST BE PURCHASED THROUGH AND SERVICE PERFORMED BY YOUR LOCAL ONAN DEALER.



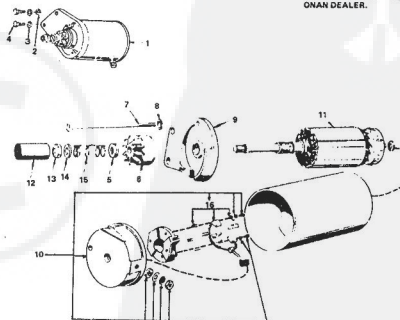
| KEY NO. | PART NO. | DESCRIPTION   | KEY NO. | PART NO.         | DESCRIPTION                                    |
|---------|----------|---|---------|------------------|--|
| 1       | 160-1210 | Breaker Box (See Part Marked *)                       | 15      | 160-0535         | Coil   |
| 1       | 812-0100 | Round Head Machine Screw (No. 10 - 24 x 1 - 1/2")     | 16      | 160-0604         | Cap (Part of Ignition Coil)                    |
| 2       | 500-0065 | Bracket   | 17      | SPARK PLUG CABLE |  |
| 3       | 526-0008 | Flat Washer (1/3 64" I.D. x 7/16" O.D. x 1/32" Thick) | 18      | 167-1596         | 16"  |
| 4       | 160-1232 | Coil  | 19      | 821-0010         | Cap Screw, Hex Head Locking (1/4" x 20 x 1/2") |
| 5       | 815-0258 | Cap Screw, Standard (No. 8 - 32 x 5/16")              | 20      | 850-0040         | Lockwasher, Spring (1/4")                      |
| 6       | 850-0025 | Lockwasher, Spring (No. 8)                            | 21      | 862-0001         | Hex Nut (1/4" - 20)                            |
| 7       | 317-0108 | Condition   | 22      | 166-0900         | Bracket  |
| 8       | 802-0034 | Cap Screw, Socket Head (1/4" x 20 x 3/4")             | 23      | 815-0261         | Cap Screw (1/4" x 20 x 9/16)                   |
| 9       | 850-0036 | Lockwasher, Spring (1/4")                             | 24      | 167-0251         | Spark Plug                                     |
| 10      | 160-1183 | Power Sw  | 25      | 850-2005         | Washer   |
| 11      | 160-1219 | Blow  | 26      | 160-0554         | Ignition Coil Nut                              |
| 12      | 160-1150 | Gasket  |         |                  |  |
| 13      | 150-1151 | Pin   |         |                  |  |
| 14      | 336-2378 | Loat (Breaker Box to Coil)                            |         |                  |  |
| 150     | 1213     | Tow-up Kit (See Points and Condenser)                 |         |                  |  |

### REPAIR PARTS

20T GARDEN TRACTOR—MODEL NUMBER T93298R  
ONAN ENGINE—MODEL NO. N52M-GA019.9/3580B

#### STARTER PARTS GROUP

ALL ENGINE PARTS MUST BE PURCHASED THROUGH AND SERVICE PERFORMED BY YOUR LOCAL ONAN DEALER.



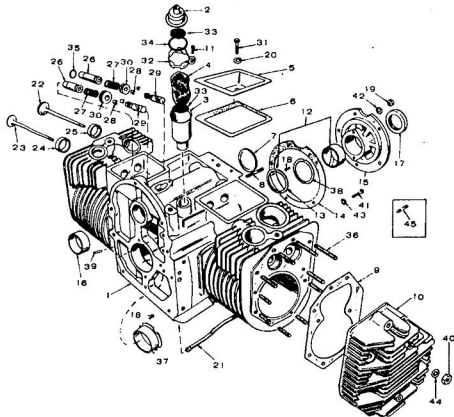
| KEY NO. | PART NO. | DESCRIPTION  |
|---------|----------|--|
| 1       | 191-1205 | Starter (Complete)                                 |
| 2       | 526-0112 | Flat Washer (1/3 32" I.D. x 1" O.D. x 3/32" Thick) |
| 3       | 850-0045 | Lockwasher, Spring (5/16")                         |
| 4       | 800-0028 | Cap Screw, Hex Head                                |
| 5       | 191-1047 | Spacer   |
| 6       | 191-1156 | Drive Assembly                                     |
| 7       | 191-1157 | Cap Screw, Hex Head Lockwasher, Spring (1/4")      |
| 8       | 850-0040 | Cap Assembly                                       |
| 9       | 191-1222 | Armature   |
| 10      | 191-1156 | Dust Cover   |
| 11      | 191-1154 | Stop Nut   |
| 12      | 191-1034 | Fuel Waker   |
| 13      | 191-1045 | Spring   |
| 14      | 191-1046 | Brush, Spring and Start Kit                        |
| 15      | 191-1035 |  |
| 16      | 191-1222 |  |

### REPAIR PARTS

20T GARDEN TRACTOR-MODEL NUMBER T93298R  
ONAN ENGINE-MODEL NO. N52M-GA019.9/3580B

#### CYLINDER BLOCK GROUP

ALL ENGINE PARTS MUST BE PURCHASED THROUGH AND SERVICE PERFORMED BY YOUR LOCAL ONAN DEALER.



### REPAIR PARTS

20T GARDEN TRACTOR-MODEL NUMBER T93298R  
ONAN ENGINE-MODEL NO. N52M-GA019.9/3580B

#### CYLINDER BLOCK GROUP

| KEY NO. | PART NO.                   | DESCRIPTION                                   | KEY NO. | PART NO.           | DESCRIPTION   |
|---------|----------------------------|---|---------|--------------------|---|
| 1       | 110-2688                   | Cylinder Block Assembly (Inc. Parts Marked *) | 29      | VALVE TAPPET       | 115-0006 Standard   |
| 2       | 123-0954                   | Breather Cap and Valve                        | 30      | 115-0006-005       | Overseas  |
| 3       | 123-0952                   | Breather Tube                                 | 31      | 110-0004           | Valve Rotator   |
| 4       | 123-0889                   | Valve Compartment Cover                       | 31      | 800-0011           | Hex Head Cap Screw (1/4" Dia. x 1")                           |
| 5       | 110-1220                   | Valve Cover Gasket                            | 32      | 123-0951           | Breather Cap Clamp  |
| 6       | 517-0048                   | Expansion Plug                                | 33      | 123-0958           | Breather Screws   |
| 7       | 520-0736                   | Stud  | 34      | 509-0017           | Breather Tube Seal  |
| 8       | 110-1731                   | Head Gasket                                   | 35      | 115-0086           | Intake Valve Guide Gasket                                     |
| 9       | 119-2575                   | Cylinder Head                                 | 36      | CYLINDER HEAD STUD | 520-0717 "3/8 x 1 1/8"  |
| 10      | 809-0035                   | Round Head Self Tapping Screw (No. 8 x 3/4")  | 37      | 520-0773           | "3/8 x 2 5/16"  |
| 11      | 809-0035                   | Round Head Self Tapping Screw (No. 8 x 3/4")  | 37      | 101-0432           | CRANKSHAFT BEARING, FRONT                                     |
| 12      | CRANKSHAFT BEARING, REAR   | Standard                                      | 37      | 101-0432           | CRANKSHAFT BEARING, FRONT                                     |
| 13      | 101-0450                   | "Standard"                                    | 37      | 101-0432           | "Standard"  |
| 14      | 101-0450-02                | .002" Undersize                               | 37      | 101-0432-02        | .002" Undersize   |
| 15      | 101-0450-10                | .010" Undersize                               | 37      | 101-0432-10        | .010" Undersize   |
| 16      | 101-0450-20                | .020" Undersize                               | 37      | 101-0432-20        | .020" Undersize   |
| 17      | 101-0450-30                | .030" Undersize                               | 37      | 101-0432-30        | .030" Undersize   |
| 18      | 104-0975                   | Thrust Washer                                 | 38      | 104-0776           | "Crankshaft Shim  |
| 19      | 101-0418                   | Bearing Plate Gasket                          | 39      | 518-0141           | Alignment Pin   |
| 20      | 101-0439                   | Bearing Plate, Rear                           | 40      | 106-0051           | Hex Nut (5/8" Dia.)   |
| 21      | 101-0405                   | Camshaft Bearing                              | 41      | 800-0046           | Hex Head Cap Screw (3/8" Hex 1 1/2")                          |
| 22      | 509-0041                   | "Crankshaft Oil Seal"                         | 42      | 526-0251           | "Flat Washer, 1/16" I.D. x 688" O.D. x .045 Thick"            |
| 23      | 516-0072                   | Bearing Stop Pin                              | 43      | 526-0068           | "Flat Washer, Copper (25/64" I.D. x 9/16" O.D. x 1/16" Thick) |
| 24      | 104-0091                   | Hex Nut (3/8" Dia.)                           | 44      | 526-0750           | "Flat Washer, Special (1/16" I.D. x 1/8" Thick)               |
| 25      | 120-0680                   | "Oil Tube"                                    | 45      | 520-0820           | "Stud (Hex Head)  |
| 26      | 110-1914                   | Intake Valve                                  |         |                    |   |
| 27      | 110-1718                   | Exhaust Valve                                 |         |                    |   |
| 28      | VALVE SEAT INSERT, EXHAUST | Standard                                      |         |                    |   |
| 29      | 110-1716-02                | .002" Undersize                               |         |                    |   |
| 30      | 110-1716-05                | .005" Undersize                               |         |                    |   |
| 31      | 110-1716-10                | .010" Undersize                               |         |                    |   |
| 32      | 110-1716-25                | .025" Undersize                               |         |                    |   |
| 33      | VALVE SEAT INSERT, INTAKE  | Standard                                      |         |                    |   |
| 34      | 110-1923                   | "Standard"                                    |         |                    |   |
| 35      | 110-1933-02                | .002" Undersize                               |         |                    |   |
| 36      | 110-1933-05                | .005" Undersize                               |         |                    |   |
| 37      | 110-1933-10                | .010" Undersize                               |         |                    |   |
| 38      | 110-1933-25                | .025" Undersize                               |         |                    |   |
| 39      | 110-1928                   | "Valve Guide"                                 |         |                    |   |
| 40      | 110-0539                   | Valve Spring                                  |         |                    |   |
| 41      | 110-0539                   | Valve Spring Lock                             |         |                    |   |

\*PARTS INCLUDED IN CYLINDER BLOCK ASSEMBLY.

#### SERVICE KITS AND MISCELLANEOUS

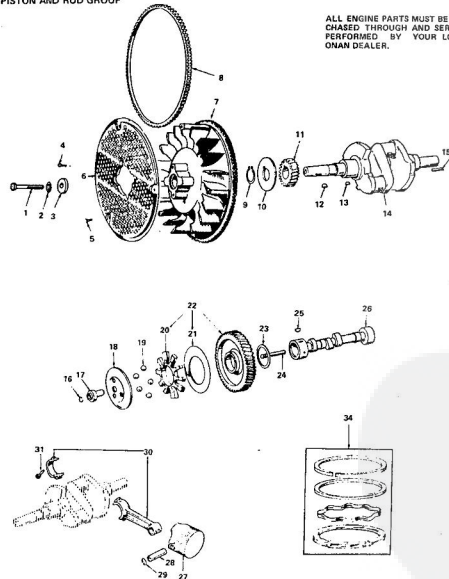
| PART NO. | DESCRIPTION             |
|----------|-------------------------|
| 98-3229  | Decal Kit               |
| 198-0142 | Engne Gasket Kit        |
| 198-0121 | Carburettor Removal Kit |
| 180-1213 | Ignition Tuneup Kit     |
| 522-0300 | Engne Overhaul Kit      |

### REPAIR PARTS

20T GARDEN TRACTOR-MODEL NUMBER T93298R  
ONAN ENGINE-MODEL NO. N52M-GA019.9/3580B

#### CRANKSHAFT, FLYWHEEL, CAMSHAFT, PISTON AND ROD GROUP

ALL ENGINE PARTS MUST BE PURCHASED THROUGH AND SERVICE PERFORMED BY YOUR LOCAL ONAN DEALER.



### REPAIR PARTS

20T GARDEN TRACTOR-MODEL NUMBER T93298R  
ONAN ENGINE-MODEL NO. N52M-GA019.9/3580B

#### CRANKSHAFT, FLYWHEEL, CAMSHAFT, PISTON AND ROD GROUP

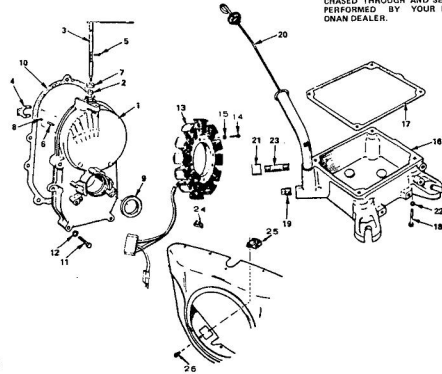
| KEY NO. | PART NO.                                  | DESCRIPTION   |
|---------|---|---|
| 1       | 104-3110                                  | Cap Screw (Special)                                     |
| 2       | 890-0055                                  | Lockwasher, Spring (7/16")                              |
| 3       | 526-0262                                  | Flat Washer (15/16" I.D. x 1 - 1/2" O.D. x .311" Thick) |
| 4       | 821-0014                                  | Cap Screw, Hex Head Locking (5/16" Dia. x 1 1/2")       |
| 5       | 815-0400                                  | Screw, Truss Hd. Mach. w/Ext. Lw. (1/4" Dia. x 1 1/2")  |
| 6       | 134-3212                                  | Flywheel, Guard   |
| 7       | 134-2740                                  | Flywheel (Inc. Ring Gear and Magnet)                    |
| 8       | 104-0778                                  | Retaining Ring  |
| 9       | 518-0014                                  | Retaining Ring  |
| 10      | 104-0443                                  | Retaining Washer  |
| 11      | 104-0032                                  | Gear  |
| 12      | 515-0277                                  | Flywheel Key  |
| 13      | 515-0001                                  | Gear Key  |
| 14      | 194-1648                                  | Crankshaft  |
| 15      | 515-0103                                  | Key   |
| 16      | 190-0078                                  | Retaining Ring  |
| 17      | 150-1519                                  | Hub   |
| 18      | 150-1520                                  | Cup   |
| 19      | 510-0115                                  | Flyball   |
| 20      | 160-1257                                  | Spacer  |
| 21      | 150-0077                                  | Plate   |
| 22      | 106-0332                                  | Gear Assembly (Inc. Plate and Spacer)                   |
| 23      | 105-0044                                  | Thrust Washer   |
| 24      | 150-0075                                  | Center Pin  |
| 25      | 515-0001                                  | Key   |
| 26      | 105-0382                                  | Camshaft (Includes Center Pin)                          |
| 27      | CRANKSHAFT PIN (Includes Retaining Rings) | Standard  |
| 28      | 112-0158                                  | Standard  |
| 29      | 112-0158-05                               | .005" Undersize   |
| 30      | 112-0158-10                               | .010" Undersize   |
| 31      | 112-0158-20                               | .020" Undersize   |
| 32      | 112-0158-30                               | .030" Undersize   |
| 33      | 112-0158-40                               | .040" Undersize   |
| 34      | 112-0659                                  | Piston Pin  |
| 35      | 518-0294                                  | Retaining Ring  |
| 36      | CONNECTING ROD                            | Standard  |
| 37      | 114-0295                                  | Standard  |
| 38      | 114-0295-10                               | .010" Undersize   |
| 39      | 114-0295-20                               | .020" Undersize   |
| 40      | 144-0295-30                               | .030" Undersize   |
| 41      | 890-0035                                  | Flat Cap Bolt   |
| 42      | RING SET                                  | Standard  |
| 43      | 113-0203                                  | Standard  |
| 44      | 113-0203-05                               | .005" Undersize   |
| 45      | 113-0203-10                               | .010" Undersize   |
| 46      | 113-0203-20                               | .020" Undersize   |
| 47      | 113-0203-30                               | .030" Undersize   |
| 48      | 113-0203-40                               | .040" Undersize   |



### REPAIR PARTS

20T GARDEN TRACTOR-MODEL NUMBER T9329BR  
ONAN ENGINE-MODEL NO. N52M-GA019/3580B

#### OIL BASE AND GEARCASE GROUP



ALL ENGINE PARTS MUST BE PURCHASED THROUGH AND SERVICE PERFORMED BY YOUR LOCAL ONAN DEALER.

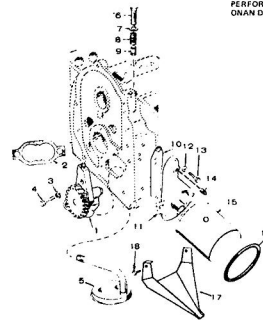
| KEY NO. | PART NO. | DESCRIPTION                                 | KEY NO. | PART NO. | DESCRIPTION                                     |
|---------|----------|---|---------|----------|---|
| 1       | 103-0498 | Gearcase Assembly (Inc. Parts Marked *)     | 13      | 191-1216 | Stator  |
| 2       | 510-0105 | Bearing                                     | 14      | 813-0108 | Round Head Machine Screw (No. 10 - 32 x 1-1/2") |
| 3       | 150-1470 | Shaft and Arm                               | 15      | 850-0030 | Lockwasher (No. 10)                             |
| 4       | 150-1187 | Yoke  | 16      | 102-0709 | Oil Base  |
| 5       | 815-0046 | *Nut Head Machine Screw (No. 8 - 32 x 3/8") | 17      | 102-0693 | Oil Base Gasket                                 |
| 6       | 516-0120 | *Dowel Pin                                  | 18      | 800-0056 | Hex Head Cap Screw (3/8" - 16 x 1-1/4")         |
| 7       | 505-0008 | *Oil Seal                                   | 19      | 505-0058 | Drain Plug                                      |
| 8       | 510-0014 | *Bull                                       | 20      | 123-1292 | Cap and Indicator                               |
| 9       | 809-0040 | *Oil Seal                                   | 21      | 505-0159 | Oil Drain Cap Pipe (1-1/2")                     |
| 10      | 103-0408 | Gasket                                      | 22      | 850-0050 | Lockwasher (3/8")                               |
| 11      | 800-0032 | 5/16 18 x 1 3/4"                            | 23      | 505-0176 | Oil Drain Nipple Pipe (1/2 x 3 - 1/2")          |
|         | 800-0034 | 5/16 18 x 2 1/4"                            | 24      | 157-0218 | Support Alternator Leads                        |
|         | 800-0065 | 9/16" O.D. x 1 1/8" Thick                   | 25      | 191-1205 | Regulator, Voltage (15 Amp)                     |
|         |          |   | 26      | 821-0010 | Hex Head Cap Screw (1/4" - 20 x 1/2)            |

\* Parts included in 103-0498 Gearcase Assembly.

### REPAIR PARTS

20T GARDEN TRACTOR-MODEL NUMBER T9329BR  
ONAN ENGINE-MODEL NO. N52M-GA019/3580B

#### OIL SYSTEM GROUP



ALL ENGINE PARTS MUST BE PURCHASED THROUGH AND SERVICE PERFORMED BY YOUR LOCAL ONAN DEALER.

| KEY NO. | PART NO. | DESCRIPTION  |
|---------|----------|--|
| 1       | 120-0491 | Oil Pump   |
| 2       | 120-0161 | Pump Gasket Kit  |
| 3       | 850-0040 | Lockwasher, Spring (1/4")                                    |
| 4       | 800-0007 | Cap Screw, Hex Head (3/8" - 20 - 1")                         |
| 5       | 520-0715 | Oil Intake Cup   |
| 6       | 801-0050 | Cap Screw, Hex Head (3/8" - 24 x 1")                         |
| 7       | 526-0065 | Flat Washer, Copper (15/64" I.D. x 9/16" O.D. x 1/16" Thick) |
| 8       | 120-0140 | Spring   |
| 9       | 120-0398 | By-Pass Valve  |
| 10      | 122-0221 | Gasket   |
| 11      | 122-0320 | Oil Filter Adaptor   |
| 12      | 526-0065 | Flat Washer, Copper (21/64" I.D. x 9/16" O.D. x 1/16" Thick) |
| 13      | 800-0028 | Cap Screw, Hex Head (5/16" - 18 x 1")                        |
| 14      | 505-0057 | Plug (1/8")  |
| 15      | 122-0499 | Oil Filter   |
| 16      | 122-0341 | Oil Filter Air Seal  |
| 17      | 122-0352 | Oil Drain  |
| 18      | 815-0194 | Cap Screw Hex Head W ET (No. 10 - 32 x 3/8")                 |