

MASTER PARTS MANUAL

GARDEN TRACTORS

MODELS:

T1228AR
T1228BR
T4328AR
T4328BR
T6328AR
T6328BR
18 cv — T8328AR
T8328BR
T8338AR
T9329AR
T9329BR

LAWN AND GARDEN
POWER EQUIPMENT

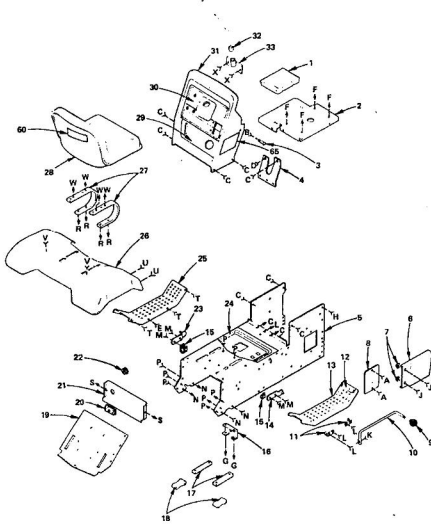
ROPER SALES CORP.

1905 WEST COURT STREET
KANKAKEE, ILLINOIS 60901

PRICE \$2.00
FEBRUARY 1, 1979

REPAIR PARTS

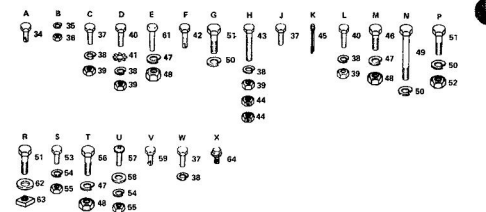
ROPER 11 H.P. GARDEN TRACTOR-MODEL NUMBER T1228BR
CHASSIS, FENDER & DASHBOARD



REPAIR PARTS

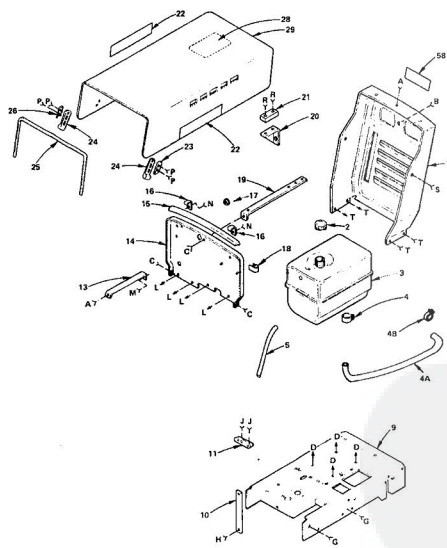
ROPER 11 H.P. GARDEN TRACTOR-MODEL NUMBER T1228BR
CHASSIS, FENDER & DASHBOARD

KEY NO.	PART NO.	DESCRIPTION	KEY NO.	PART NO.	DESCRIPTION
1	8855R	Battery Tray	37	3009P	*Hex Bolt 5/16 - 18 UNC x 5/8
2	8737R	Tank & Battery Support	38	1003P	*Lockwasher 5/16
3	8753R	Hood Latch Pin	39	504P	*Hex Nut 5/16 - 18 UNC
4	8792R	Tank & Battery Support Brace	40	3016P	*Hex Bolt 5/16 - 18 UNC x 3/4
5	8747R	Chassis Channel	41	1406P	*Fast Tooth Lockwasher 5/16
6	8791R	Engine Pulley Cover	42	5503P	*Hex Head Thread Cutting Screw 5/16 - 28 UNC x 3/4 Type 23
7	8916R	Nut Retainer	43	3373P	*Hex Bolt 5/16 - 18 UNC x 1 - 1/2 Full Thd.
8	9800R	Channel Access Cover	44	1085H	*Locknut 5/16
9	8504H	Control Knob	45	2811P	*Cotter Pin 3/16 x 1
10	8756R	Range Shift Rod	46	2022P	*Hex Bolt 3/8 - 16 UNC x 7/8
11	8819R	Range Shift Rod Bracket	47	1005P	*Lockwasher 3/8
12	8900R	Decal - Attachment Clutch	48	5011P	*Hex Bolt 7/16 - 14 UNC x 2 - 1/4
13	8646R	Foot Rest - R.H.	49	3034P	*Lockwasher 7/16
14	6236-37	Suspension Arm Bracket Weldment - R.H.	50	1001P	*Hex Bolt 7/16 - 14 UNC x 1
15	2751R	Clip - Fuel Line	51	500P	*Lockwasher 1/4
16	8820R	Terminal Bracket	52	500P	*Hex Nut 1/4 - 20 UNC x 1/2
17	158J	Seat Spring Lock Plate	53	3144P	*Lockwasher 1/4
18	9246R	Terminal Spacer	54	1002P	*Hex Nut 1/4 - 20 UNC
19	673A95	Drawer Assembly	55	503P	*Hex Bolt 3/8 - 16 UNC x 1
20	5017R	Roller	56	3023P	*Cross Recess Truss Head Machine Screw 1/4 - 20 UNC x 5/8
21	8782R	Chassis Channel Cover	57	3589P	*Washer 9/32 x 5/8 x 1/6 Ga.
22	3807R	Universal Bushing	58	5000P	*Hex Head Thread Cutting Screw 5/16 - 18 UNC x 1/2 Type 23
23	673A38	Suspension Arm Bracket Weldment - L.H.	59	2451P	*Decal - Roper
24	8888R	Decal - Shift Pattern	60	2451P	*Seat
25	8841R	Foot Rest - L.H.	61	3021P	*Seat - Lower Dashboard
26	8502R	Fender	62	1544P	*Decal - Upper Dashboard
27	8168R	Seat Spring	63	568P	Dashboard
28	2214J	Seat	64	5906P	Bearing
29	195J	Lower Dashboard	65	242J	Steering Bracket & Bearing (Inc. Key)
30	196J	Upper Dashboard	66	1722J	Hex Head Thread Cutting Screw 1/4 - 20 UNC x 1/2 Type 23
31	163J	Dashboard	67	1722J	*Lockwasher No. 10
32	9038R	Bearing	68	1718J	*Hex Nut No. 10 - 24 UNC
33	673A56	Steering Bracket & Bearing (Inc. Key)			
34	5506P	Hex Head Thread Cutting Screw 1/4 - 20 UNC x 1/2 Type 23			
35	1006P	*Lockwasher No. 10			
36	500P	*Hex Nut No. 10 - 24 UNC			



REPAIR PARTS

ROPER 11 H.P. GARDEN TRACTOR-MODEL NUMBER T1228BR
ENGINE MOUNT, HOOD & GRILL



REPAIR PARTS

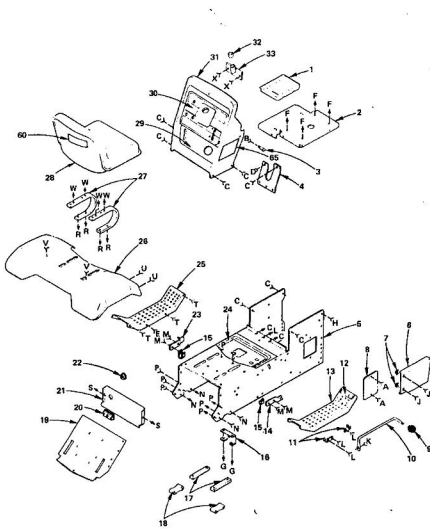
ROPER 11 H.P. GARDEN TRACTOR-MODEL NUMBER T1228BR
ENGINE MOUNT, HOOD & GRILL

KEY NO.	PART NO.	DESCRIPTION	KEY NO.	PART NO.	DESCRIPTION
1	1647J	Grill	32	1002P	*Lockwasher 1/4
2	7971R	Fuel Tank Cap	33	503P	*Hex Nut 1/4 - 20 UNC
3	36J	Fuel Tank	34	3009P	*Hex Bolt 5/16 - 18 UNC x 5/8
4	9872R	Hose Clamp	35	1003P	*Lockwasher 5/16
4A	8644R	Fuel Line	36	504P	*Hex Bolt 5/16 - 18 UNC
4B	6529R	Fuel Line Clamp	37	3034P	*Hex Bolt 7/16 - 14 UNC x 1
5	8806R	Fuel Line - Over Flow	38	1001P	*Lockwasher 7/16
6	673A200	Engine Base Weldment	39	500P	*Hex Nut 7/16 - 14 UNC
7	8818R	Engine Base Brace	40	3016P	*Hex Bolt 5/16 - 18 UNC x 3/4
8	1555J	Safety Switch Bracket	41	16P	*5/16 Neck Carriage Bolt 5/16 - 18 UNC x 3/4
9	8780R	Dashboard Brace	42	3144P	*Hex Bolt 1/4 - 20 UNC x 1/2
10	8784R	Heat Shield	43	3011P	*Hex Bolt 5/16 - 18 UNC x 1
11	8925R	Sealing Strip	44	5004P	*Hex Washer Head Sheet Metal Screw No. 10 x 3/8 (New AB)
12	8024R	Sealing Strip Clamp	45	3320P	*Cross Recess Pan Head Machine Screw No. 10 - 24 UNC x 1/2
13	9151R	Seal Bushing	46	561P	*Krips Nut No. 10 - 24 UNC
14	4171R	Insulated Clip	47	3083P	*Cross Recess Pan Head Machine Screw No. 10 - 24 UNC x 3/4
15	8781R	Grill Bracket	48	505P	*Hex Nut No. 10 - 24 UNC
16	8923R	Grill Bracket	49	2603P	*Cotter Pin 3/32 x 3/4
17	9042R	Roller Bumper	50	3014P	*Hex Bolt 5/16 - 18 UNC x 1 - 3/4
18	8028R	Decal - Maintenance	51	293J	*Decal - Roper Logo
19	673A29P	Hex Washer Head Thread Cutting Screw 5/16 - 18 UNC x 1/2 Type 23	52	503P	*Hex Washer Head Thread Cutting Screw 1/4 - 20 UNC x 3/4
20	5000P	*Hex Washer Head Thread Cutting Screw 5/16 - 18 UNC x 1/2 Type 23	53	1537P	*Water 11/32 x 11/16 x 1/8 Ga.
21	3268P	*Cross Recess Truss Head Machine Screw 1/4 - 20 UNC x 3/4			



REPAIR PARTS

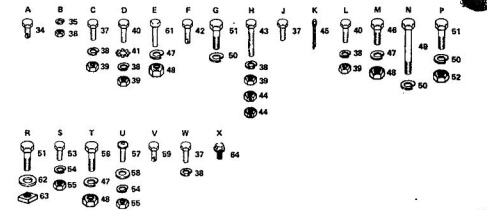
ROPER 11 H.P. GARDEN TRACTOR-MODEL NUMBER T1228AR
CHASSIS, FENDER & DASHBOARD



REPAIR PARTS

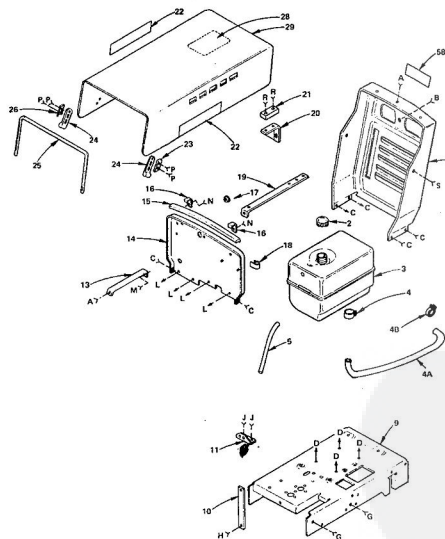
ROPER 11 H.P. GARDEN TRACTOR-MODEL NUMBER T1228AR
CHASSIS, FENDER & DASHBOARD

KEY NO.	PART NO.	DESCRIPTION	KEY NO.	PART NO.	DESCRIPTION
1	8955R	Battery Tray	37	3003P	*Hex Bolt 5/16 - 18 UNC x 5/8
2	8797R	Tank & Battery Support	38	1003P	*Lockwasher 5/16
3	8753R	Hood Latch Pin	39	504P	*Hex Nut 5/16 - 18 UNC
4	8792R	Tank & Battery Support Brace	40	3010P	*Hex Bolt 5/16 - 18 UNC x 3/4
5	8807R	Chassis Channel	41	1408P	*Ext. Tooth Lockwasher 5/16
6	8791R	Engine Pulley Cover	42	5003P	*Hex Head Thread Cutting Screw 5/16 - 18 UNC x 3/4 Type 23
7	8915R	Nut Retainer	43	3233P	*Hex Bolt 5/16 - 18 UNC x 1 - 1/2 Full Thd.
8	8800R	Chassis Access Cover	44	1858H	Locknut 5/16
9	6384H	Control Knob	45	2511P	*Cotter Pin 3/16 x 1
10	8756R	Range Shift Rod	46	3022P	*Hex Bolt 3/8 - 16 UNC x 7/8
11	8816R	Range Shift Rod Bracket	47	1004P	*Lockwasher 3/8
12	8900R	Decal - Attachment Clutch	48	501P	*Hex Nut 3/8 - 16 UNC
13	8840R	Foot Rest - R.H.	49	3155P	*Hex Bolt 7/16 - 14 UNC x 2 - 1/4
14	873437	Suspension Arm Bracket Weldment - R.H.	50	1001P	*Lockwasher 7/16
15	2761R	Clip - Fuel Line	51	3034P	*Hex Bolt 7/16 - 14 UNC x 1
16	8825R	Transaxle Bracket	52	500P	*Hex Nut 7/16 - 14 UNC
17	1521	Seat Spring Lock Plate	53	3114P	*Hex Bolt 1/4 - 20 UNC x 1/2
18	9248R	Transaxle Spacer	54	1003P	*Lockwasher 1/4
19	873435	Drawer Assembly	55	503P	*Hex Nut 1/4 - 20 UNC
20	5012R	Reflector	56	3023P	*Hex Bolt 3/8 - 16 UNC x 1
21	8782R	Chassis Channel Cover	57	3368P	*Cross Recess Trust Head Machine Screw 1/4 - 20 UNC x 5/8
22	3807R	Universal Bushing	58	1505P	*Washer 8/32 x 5/8 x 1/6 Ga.
23	673A38	Suspension Arm Bracket Weldment - L.H.	59	5600P	*Hex Head Thread Cutting Screw 5/16 - 18 UNC x 1/2 Type 23
24	8888R	Decal - Shift Pattern	60	2457	Decal - Roper
25	8841R	Foot Rest - L.H.	61	3021P	*Hex Bolt 3/8 - 16 UNC x 3/4
26	8909P	Fender	62	1893P	*Washer 15/32 x 5/8 x 1/6 Ga.
27	8788R	Seat Spring	63	898P	Square Nut 7/16 - 14 UNC
28	4732	Seat	64	5066P	*Hex Washer Hd. Thd. Cutting Screw 1/4 - 20 UNC x 1/2 Type 23
29	198U	Decal - Lower Dashboard	65	2437	Decal - 11 H.P.
30	198U	Decal - Upper Dashboard	66	2437	Warranty - Fast Tag
31	632	Dashboard	67	2547	Owners Manual
32	9038R	Bearing	—	—	*STANDARD HARDWARE-PURCHASE LOCALLY
33	872467	Shearing Bracket & Bearing (Inc. Key No. 32)			
34	5569P	Head Thread Cutting Screw 1/4 - 20 UNC x 1/2 Type 23			
35	1006P	*Lockwasher 1/4			
36	508P	*Hex Nut No. 10 - 24 UNC			



REPAIR PARTS

ROPER 11 H.P. GARDEN TRACTOR-MODEL NUMBER T1228AR
ENGINE MOUNT, HOOD & GRILL



REPAIR PARTS

ROPER 11 H.P. GARDEN TRACTOR-MODEL NUMBER T1228AR
ENGINE MOUNT, HOOD & GRILL

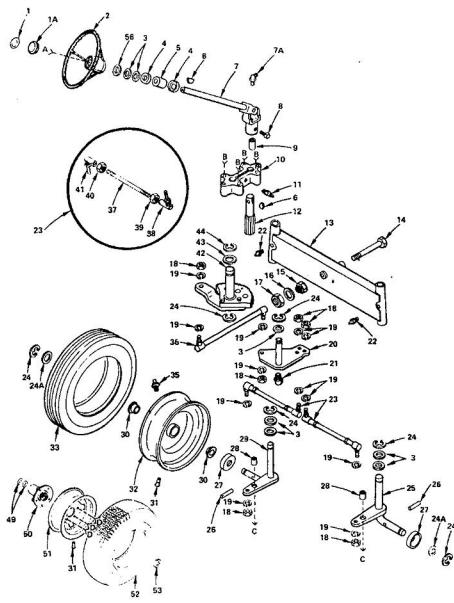
KEY NO.	PART NO.	DESCRIPTION	KEY NO.	PART NO.	DESCRIPTION
1	8955R	Gull	32	1003P	*Lockwasher 1/4
2	7917R	Fuel Tank Cap	33	503P	*Hex Nut 1/4 - 20 UNC
3	36J	Fuel Tank	34	3009P	*Hex Bolt 5/16 - 18 UNC x 5/8
4	8837R	Fuel Clamp	35	1003P	*Lockwasher 5/16
4A	8544R	Fuel Line	36	504P	*Hex Nut 5/16 - 18 UNC
4B	9095R	Fuel Line Clamp	43	3034P	*Hex Bolt 7/16 - 14 UNC x 1
5	9095R	Fuel Line - Overflow	44	1001P	*Lockwasher 7/16
6	873437	Engine Base Weldment	45	500P	*Hex Nut 7/16 - 14 UNC
10	8618R	Engine Base Brace	46	3010P	*Hex Bolt 5/16 - 18 UNC x 3/4
11	9280R	Safety Switch Bracket	47	16P	*Sq. Neck Carriage Bolt 5/16 - 18 UNC x 3/4
12	8780R	Dashboard Brace	48	3114P	*Hex Bolt 1/4 - 20 UNC x 1/2
14	8784R	Heat Shield	49	3011P	*Hex Bolt 5/16 - 18 UNC x 1
15	8936R	Seating Strip Clamp	50	5604P	*Hex Washer Head Sheet Metal Screw No. 10 - 24 UNC Type A5
16	8934R	Seating Strip	51	3220P	*Cross Recess Pan Head Machine Screw No. 10 - 24 UNC x 1/2
17	9151R	Insulated Clip	52	501P	*Hex Nut No. 10 - 24 UNC
18	4171R	Grill Bracket	53	3037P	*Cross Recess Pan Head Machine Screw No. 10 - 24 UNC x 3/4
19	8518R	Grill Bracket	54	1006P	*Lockwasher No. 10
20	8933P	Rubber Bumper	55	505P	*Hex Nut No. 10 - 24 UNC
21	8949R	Grill Bracket	56	2503P	*Cotter Pin 3/32 x 3/4
22	242J	Decal - Roper	57	3014P	*Hex Bolt 5/16 - 18 UNC x 1 - 3/4
23	8935R	Hood Latch Cover - R.H.	58	283J	Decal - Roper Logo
24	8888R	Hood Latch			*STANDARD HARDWARE-PURCHASE LOCALLY
25	8937R	Hood Strip			
26	8016R	Hood Latch Cover - L.H.			
28	8028R	Hood Maintenance			
29	673A183	Hood Ass'y.			
30	5600P	Hex Washer Head Thread Cutting Screw 5/16 - 18 UNC x 1/2 Type 23			
31	3268P	*Cross Recess Trust Head Machine Screw 1/4 - 20 UNC x 3/4			



REPAIR PARTS

ROPER 11 H.P. GARDEN TRACTOR-MODEL NUMBER T12288R

STEERING AND FRONT AXLE

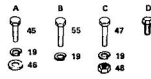


REPAIR PARTS

ROPER 11 H.P. GARDEN TRACTOR-MODEL NUMBER T12288R

STEERING AND FRONT AXLE

KEY NO.	PART NO.	DESCRIPTION	KEY NO.	PART NO.	DESCRIPTION
1	238J	Discal. Steering Wheel Cap	30	673A13	Shoulder Weldment L.H.
1A	9719H	Steering Wheel Cap	30	9040H	Lenslet Bearing
2	3944H	Steering Wheel	31	795H	Trac Valve
3	1502P	Washer 25/32 x 1-1/4 x 16 Ga. ID to 2 as required	32	3030R	Front Wheel Disc Key Nut, 30 & 30 1/2
4	9007H	Cap - Steering Tube	33	3030R	Front Tire - Tubeless, 10 x 10 & 8
5	9289H	Rubber Bushing	35	6850A	Ground Flitting
6	9828M1	Washoff Key	36	8802R	Steering Disc Lock
7	9527H	U-Bolt (Inc. Key No. 7A)	37	673A20	Tie Rod (Inc. Key No. 39 & 40)
7A	6464H	Grease Fitting	38	8922R	Tie Rod Joint - L.H. Thread
8	4556P	Sh. Nut (Inc. Screw 3/8" - 16 UNC x 1/2)	39	544P	Hex Jam Nut 3/8" - 24 UNF - L.H.
9	161J	"U" Joint Spacer	40	544P	Hex Jam Nut 3/8" - 24 UNF - R.H.
10	4902R	Steering Support Bracket	41	8921R	Tie Rod Joint - R.H. Thread
11	5842M	Grease Fitting	42	673A14	Steering Screw Assy.
12	157J	Steering Pinion	43	1550P	Washer 20/32 x 1-1/4 x 16 Ga.
13	673A20	Front Axle Weldment	44	5077P	E-Ring
14	8916R	Pin Bolt 5/8" - 11 UNC x 6	45	1512P	Washer 7/16 x 1 x 14 Ga.
15	156J	Shoulder Nut	46	3020P	Hex Bolt 3/8" - 16 UNC x 1-3/4
16	1503P	"Washer 21/32 x 1-5/16 x 13 Ga.	48	501P	Hex Nut 3/8" - 16 UNC
17	522P	"Hex Jam Nut 3/8" - 11 UNC	49	7552R	Asst. Thrust Washer 10 to 4 as required
18	515P	"Hex Nut 3/8" - 24 UNF	50	624A02	Wheel Hubs and Rims
19	1004P	"Lockwasher 20"	51	3052R	Rim Wheel
20	673A20	Steering Tie Rod (Inc. Key No. 37 thru 41)	52	3783H	Rim Wheel - Tubeless 22.5 x 7.50 12
21	6955A	Grease Fitting	53	5845H	E-Ring
22	6955A	Grease Fitting	54	1304H	Hold Bolt
23	673A15	Steering Tie Rod (Inc. Key No. 37 thru 41)	55	3027P	Hex Bolt 3/8" - 16 UNC x 7/8
24	5000P	E-Ring	56	1561P	Washer 20/32 x 1-1/4 x 21 Ga. ID to 1 as required
24A	1512P	Washer 20/32 x 1-5/8 x 16 Ga.			
25	673A20	Steering Tie Rod - R.H.			
26	9528R	Grease Fitting			
27	8738R	Dust Cup			
28	8907R	Bushing - Steering Stop			

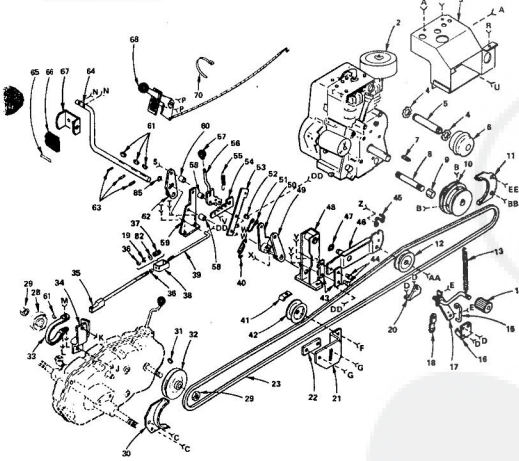


*STANDARD HARDWARE - PURCHASE LOCALLY

REPAIR PARTS

ROPER 11 H.P. GARDEN TRACTOR-MODEL NUMBER T12288R

CLUTCH-BRAKE & DRIVE



REPAIR PARTS

ROPER 11 H.P. GARDEN TRACTOR-MODEL NUMBER T12288R

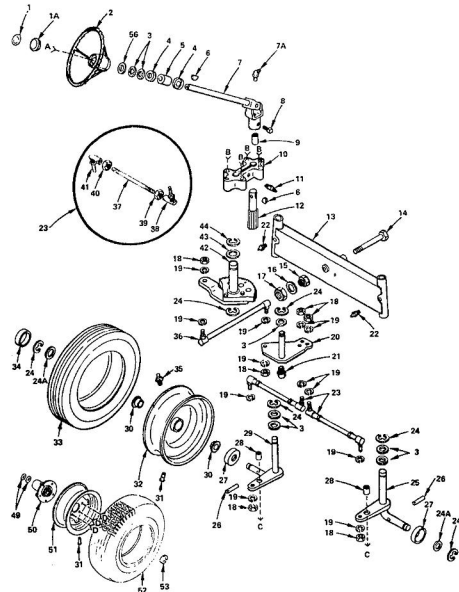
CLUTCH-BRAKE & DRIVE

KEY NO.	PART NO.	DESCRIPTION	KEY NO.	PART NO.	DESCRIPTION
1	252417	Engine - 11 H.P. Briggs & Stratton	60	8909R	Bushing - Lock Bar
2	673A153	Type 0121	61	2729M	Woodruff Key 3/16 x 3/4 H.T.
3	673A153	Heat Deflector Weldment	62	8835R	Brake Arm
4	9528A	Muffler	63	1425H	Roll Pin
5	8988R	Muffler Pipe	64	8730R	Foot Pedal Shaft
6	423J	Muffler	65	8896R	Insert - Clutch Brake
7	6395E	So. Key	66	8882R	Foot Pedal
8	4211P	Oil Drain Pipe 3/8" - 18 NPT x 3 - 1/2	67	8765R	Clutch & Throttle Control
9	4210P	Drain Pipe Cap 3/8" - 18 NPT	68	189J	Hold Bolt
10	673A28	Engine Pulley Belt Sprocket (Inc. Key No. 73)	69	2011P	Hex Bolt 5/16" - 18 UNC x 1
11	164J	Belt Idler - V Groove	70	6730R	Cable Tie
12	8848R	Spring - Mower Clutch	71	1905P	"Lockwasher 5/16"
13	8958R	Attachment Pedal Cover	73	4546P	Hex Fender Socket Helices - Set Screw CP 5/16" - 18 x 1/2 - Nylon
14	1817J	Clutch Spring Hanger	74	3009P	Hex Bolt 5/16" - 18 UNC x 5/8
15	673A105	Outer Clutch Bracket Assy.	75	504P	Hex Bolt 5/16" - 18 UNC
16	673A106	Clutch Link - Lower	77	1306P	"Coner Pin 1/8"
17	8832R	Clutch Link - Upper	78	3038P	Hex Bolt 7/16" - 14 UNC x 1-1/2
18	516P	Locknut 3/8" - 16 UNC	79	1001P	"Lockwasher 7/16"
19	8828R	Clutch Bracket - Inner	80	502P	Hex Nut 7/16" - 14 UNC
20	8828R	Clutch Bracket - Outer	81	3021P	Hex Bolt 3/8" - 16 UNC x 3/4
21	8730R	Flat Idler Bracket	82	1620P	Washer 13/32 x 1-9/16 x 10 Ga.
22	8945R	Clutch Drive Bolt	83	3022P	Hex Bolt 3/8" - 16 UNC x 7/8
23	214J	Brake Drum	84	1004P	"Lockwasher 3/8"
24	8924H	Locknut 1/2" - 20 UNF	85	1512P	Washer 20/32 x 1-1/4 x 16 Ga.
25	8900R	Transaxle Pulley Belt Guide	86	3184P	Undercut Flat Head Mach. Screw 3/8" - 16 UNC x 3/4
26	9828M1	Woodruff Key 3/16 x 5/8 H.T.	87	11P	St. Neck Carriage Bolt 1/4" - 20 UNC x 5/8
27	8847H	Transaxle Pulley	88	1895H	Locknut 5/16" - 18 UNC
28	673A27	Brake Bracket Weldment	89	5596P	Hex Hd. Thread Cutting Screw 1/4" - 20 UNC x 1/2 Type 23
29	626A368	"Hex Jam Nut 3/8" - 16 UNC	90	1002P	"Lockwasher 1/4"
30	502P	Coupler Assembly	92	503P	"Hex Nut 1/4" - 20 UNC
31	1784J	Brake Rod - Front	94	3723P	Hex Bolt 5/16" - 18 UNC x 1 Grade 5
32	8905R	Spring	95	1505P	Washer 6/16 x 3/4 x 16 Ga.
33	1782J	Wire Lead	96	3159P	Hex Bolt 5/16" - 18 UNC x 7/8
34	5655H	Flat Idler	97	1537P	Washer 1/32 x 1 1/8 x 16 Ga.
35	8915R	Clutch Arm Link	98	501P	Hex Nut 3/8" - 16 UNC
36	8912R	Drilled Flat Head Rivet	99	3003P	Hex Bolt 1/4" - 20 UNC x 3/4
37	8848R	V-Idler Belt Guide	100	1895P	Washer 8/32 x 1-1/4 x 16 Ga.
38	673A162	Belt Idler Bracket Weldment	101	5602P	Cross Recess Tread Head Thread Cutting Screw 1/4" - 20 UNC x 1/2
39	5201P	"Hex Idler Support Assy.			Type 23
40	8837R	Clutch Spring Arm	102	3027P	Hex Bolt 3/8" - 16 UNC x 1-1/2
41	8838R	Safety Switch Arm	103	3114P	Hex Bolt 1/4" - 20 UNC x 1/2
42	8839R	Spring - Clutch	104	3384P	Hex Bolt 1/4" - 20 UNC x 1-1/4 Full 1
43	8911R	Drilled Flat Head Rivet	106	3003P	Hex Bolt 5/16" - 24 UNF x 5/8
44	8839R	Parking Brake Lock Bracket	108	2905P	"Coner Pin 1/8 x 3/4"
45	1008J	Parking Brake Lock Bar	109	3360P	Hex Bolt 5/16" - 24 UNF x 2-3/4
46	8848R	Spring	110	538P	Hex Jam Nut 5/16" - 24 UNF
47	673A18	Forking Brake Lever Weldment			
48	8811R	Control Knob			
49	8908R	Bushing - Brake Lever			
50	8922R	Parking Brake Support			
51	3004P	Hex Bolt 1/4" - 20 x 1			

*STANDARD HARDWARE - PURCHASE LOCALLY

REPAIR PARTS

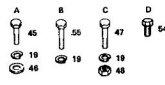
ROPER 11 H.P. GARDEN TRACTOR MODEL NUMBER T1228AR
STEERING AND FRONT AXLE



REPAIR PARTS

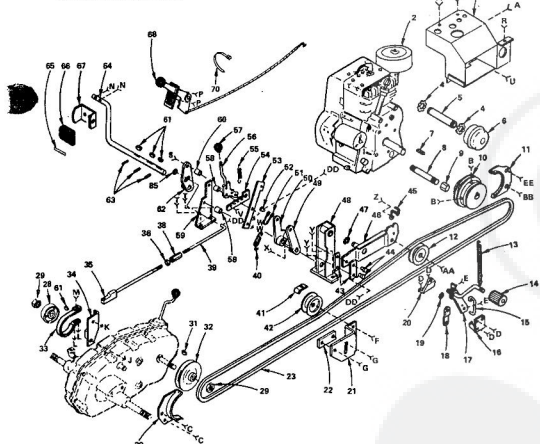
ROPER 11 H.P. GARDEN TRACTOR-MODEL NUMBER T1228AR
STEERING AND FRONT AXLE

KEY NO.	PART NO.	DESCRIPTION	KEY NO.	PART NO.	DESCRIPTION
1	236J	Detail, Steering Wheel Cap	20	673A13	Spindle Weldment - L.H.
1A	9719R	Steering Wheel Cap	30	9060H	Flange Bearing
2	364M	Washer 48/34 x 1 - 1/4 x 16 Ga.	31	780H	Flange Washer
3	1562P	Washer 48/34 x 1 - 1/4 x 16 Ga.	32	3638R	Front Wheel Hic. Key No's. 20 & 3
4	900M	Cap - Steering Tube	33	3838R	Front Tire - Tubeless 10 x 4.50 - 8
5	5919M	Rubber Bushing	34	2118R	Dust Cap
6	882M1	Woodruff Key	35	6856M	Grease Fitting
7	9827H	U-Joint (Inc. Key No. 7A)	36	8809R	Steering Drag Link
7A	8823H	Grease Fitting	37	673A28	Tie Rod Hic. Key No's. 20 & 40
8	4906P	Sq. Hd. Set Screw 3/8 - 16 UNC x 1/2	38	8922H	Tie Rod Adjust. L.H. Thread
9	161J	"U" Joint Spline	39	547P	Hex Jam Nut 3/8 - 24 UNF - L.H.
10	8938R	Steering Support Bracket	40	548P	Hex Jam Nut 3/8 - 24 UNF
11	6847M	Grease Fitting	41	8921R	Tie Rod Joint - R.H. Flange
12	151J	Steering Pinion	42	673A147	Steering Sector Assy.
13	673A26	Front Axle Weldment	43	1503P	Washer 5/16 x 1 - 1/4 x 16 Ga.
14	9319H	Front Bolt 5/8 - 11 UNC x 6	44	5017H	E-Ring
15	155J	Shoulder Nut	45	3023P	Hex Bolt 3/8 - 16 UNC x 1
16	1503P	Washer 21/32 x 1 - 5/16 x 13 Ga.	46	1517P	Hex Bolt 7/16 x 1 - 1/4 Ga.
17	527P	Hex Nut 3/8 - 24 UNF	47	3028P	Hex Bolt 3/8 - 16 UNC x 1 - 3/4
18	516P	Hex Nut 3/8 - 24 UNF	48	5011P	Hex Nut 3/8 - 16 UNC
19	1038P	Lockwasher 3/8	49	7502P	Axle Thrust Washers
20	673A30	Steering Bell Crank Weldment	50	624A102	Wheel Hub and Bushing
21	6823M	Grease Fitting	51	3625H	Wheel Wheel
22	6852M	Grease Fitting	52	3783H	Rear Tire - Tubeless 22.5 x 7.50 - 8
23	673A15	Steering Tie Rod (Inc. Key No's. 37 thru 41)	53	5022P	Hex Bolt 3/8 - 16 UNC x 7.8
24	5096P	E-Ring	54	1324H	Hull Bolt
24A	1589P	Washer 49/64 x 1 - 5/8 x 16 Ga.	55	5022P	Hex Bolt 3/8 - 16 UNC x 7.8
25	673A20	Spindle Weldment - R.H.	56	1501P	Washer 25/32 x 1 - 1/4 x 21 Ga.
26	8620H	Grease Pin			
27	8759R	Dust Cap - Inner			
28	9067H	Bushing - Steering Stop			



REPAIR PARTS

ROPER 11 H.P. GARDEN TRACTOR-MODEL NUMBER T1228AR
CLUTCH-BRAKE & DRIVE



REPAIR PARTS

ROPER 11 H.P. GARDEN TRACTOR-MODEL NUMBER T1228AR
CLUTCH-BRAKE & DRIVE

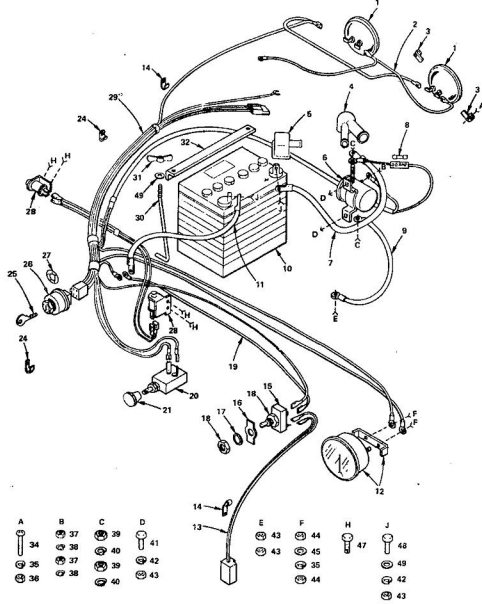
KEY NO.	PART NO.	DESCRIPTION	KEY NO.	PART NO.	DESCRIPTION
2	25817	Engine - 11 H.P. Briggs & Stratton Type 03001	60	8909R	Bushing - Lock Bar
3	673A153	Heat Deflection Weldment	61	2228M	Woodruff Key 3/16 x 3/4 H.T.
4	6940H	Muffler - Muffler	63	5142H	Roll Pin
5	8888R	Muffler Pipe	64	8760R	Foot Pedal Shaft
6	430J	Muffler	65	8889R	Insert - Clutch-Brake
7	9256E	Sq. Key	66	8882H	Foot Pedal
8	4011P	Oil Drain Pipe 3/8 - 18 NPT x 3 - 1/2	67	8795R	Foot Pedal Bracket
9	4019P	Drain Pipe 3/8 - 18 NPT	68	180J	Choke & Throttle Control
10	673A98	Engine Pulley & Set Screws (Inc. Key No. 72)	69	3011P	Hex Bolt 5/16 - 18 UNC x 1
11	184L	Engine Pulley Bolt Guide	70	1003P	Lockwasher 5/16
12	8946R	Ball Idler - V Groove	72	4560P	Hex Flange Socket Headless Set Scr 5/16 - 18 UNC x 1/2
13	8906R	Spring - Mover Clutch	74	3009P	Hex Bolt 5/16 - 18 UNC x 5/8
14	8963R	Attachment Pedal Cover	75	3010P	Hex Bolt 5/16 - 18 UNC x 3/4
15	673A105	Clutch Spring Hanger	76	524P	Hex Bolt 5/16 - 18 UNC
16	673A105	Clutch Lever Weldment	77	2500P	Cotter Pin 1/8 x 1
17	673A105	Clutch Lever Weldment	78	3026P	Hex Bolt 7/16 - 14 UNC x 1 - 1/2
18	5018P	Retaining Ring	79	1001P	Lockwasher 7/16
19	8828R	Clutch Bracket - Inner	80	506P	Hex Nut 7/16 - 14 UNC
20	8828R	Clutch Bracket - Outer	81	3021P	Hex Bolt 3/8 - 16 UNC x 3/4
21	8828R	Flat Idler Bracket	83	3022P	Hex Bolt 3/8 - 16 UNC x 7/8
22	8770R	Flat Idler Bracket Lock Plate	84	1004P	Lockwasher 3/8
23	8842R	Ground Drive Belt	85	1513P	Washer 13/32 x 13/16 x 16 Ga.
24	714J	Brake Drum	86	3164P	Undercut Flat Head Mach. Screw 3/8 - 18 UNC x 3/4
25	9204H	Locknut 1/2 - 20 UNF	87	10P	Hex Neck Cap Bolt 1/4 - 20 UNC x 1/2
26	9802R	Transaxle Pulley Bolt Guide	88	1665H	Locknut 1/4 - 20 UNC
27	8826M1	Woodruff Key 3/16 x 5/8 H.T.	89	1851H	Locknut 5/16 - 18 UNC
28	8847R	Brake Band Assy.	90	5599P	Hex Nut Thread Cutting Screw 1/4 - 20 UNC x 1/2 Type 23
29	673A29	Brake Bracket Weldment	91	1002P	Lockwasher 1/4
30	673A29	Brake Rod Assy.	92	502P	Hex Nut 1/4 - 20 UNC
31	5018P	Hex Nut 3/8 - 16 UNC	94	3273P	Hex Bolt 5/16 - 18 UNC x 1 Grad 1
32	8417H	Turbocharger	95	1503P	Hex Bolt 5/16 - 18 UNC x 7/8
33	8906R	Spring - Idler	96	1517P	Hex Nut 5/16 - 18 UNC
34	6638H	Ball Idler - Flat	97	8910P	Hex Bolt 1/4 - 20 UNC x 3/4
35	8915R	Clutch Arm Link	98	3003P	Washer 9/32 x 1 - 1/4 x 16 Ga.
36	8912R	Drilled Flat Head Rivet	100	1585P	Cross Reptn Truss Head Thread Cutting Screw 1/4 - 20 UNC x 1/2 Type 23
37	8912R	V-Idler Bolt Guide	102	3027P	Hex Bolt 3/8 - 16 UNC x 1 - 1/2
38	673A162	Ball Idler Bracket Weldment	103	3114H	Hex Bolt 1/4 - 20 UNC x 1/2
39	5091P	E-Ring	104	3284P	Hex Bolt 1/4 - 20 UNC x 1 - 1/4 Flv
40	673A21	Ball Idler Support Assy.	105	3019P	Hex Bolt 5/16 - 18 UNC x 1/2
41	8837R	Clutch Pivotal Arm	106	3033P	Hex Bolt 5/16 - 24 UNF x 3/8
42	8838R	Safety Switch Arm	108	2200P	Cotter Pin 1/8 x 2 1/4
43	8906R	Spring - Clutch	109	3200P	Hex Bolt 5/16 - 24 UNF x 2
44	8911R	Drilled Flat Head Rivet	110	336P	Hex Bolt 5/16 - 24 UNF
45	8902R	Parking Brake Lock Bracket			
46	1006J	Parking Brake Lock Bar			
47	8906R	Spring - Parking Brake			
48	673A18	Parking Brake Lever Weldment			
49	8911R	Control Knob - Parking Brake			
50	8908R	Parking Brake Support			
51	8822R	Bushing - Brake Lever			



REPAIR PARTS

ROPER 11 H.P. GARDEN TRACTOR-MODEL NUMBER T12288R

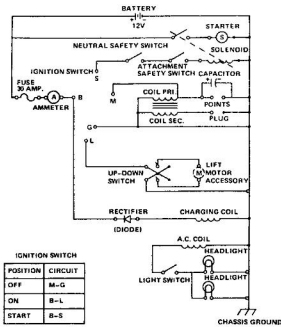
ELECTRICAL



REPAIR PARTS

ROPER 11 H.P. GARDEN TRACTOR-MODEL NUMBER T12288R

ELECTRICAL



POSITION	CIRCUIT
OFF	M-C
ON	B-L
START	B-S

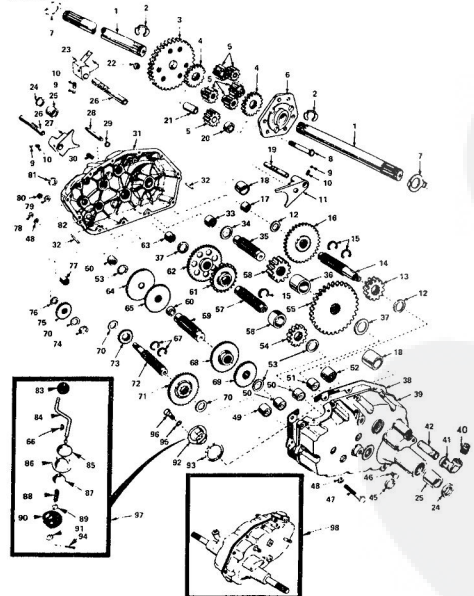
KEY NO.	PART NO.	DESCRIPTION	KEY NO.	PART NO.	DESCRIPTION
1	8452R	Headlight	29	303J	Wiring Harness
2	8031R	Wire - Headlight Ground	30	8964R	Battery Bolt
3	8764R	Headlight Clamp	31	3748M	Wing Nut 1/4 - 20 UNC
4	51J	Terminal Insulator (Dual)	32	8796R	Battery Hold Down
5	8856R	Terminal Insulator	34	3346P	Cross Section Trans Mt. Match. Screw No. 10 - 24 UNC x 1
6	103R	Solenoid Inc. Key No. 37 thru 40)	35	1006P	*Lockwasher No. 10
7	9277R	Battery Cable	36	506P	*Hex Nut No. 10 - 24 UNC
8	6347R	Fuse - 30 Amp.	37	527P	*Hex Nut No. 8 - 32 UNC
9	8808R	Starter Cable	38	1005P	*Lockwasher No. 8
10	7262	Battery	39	535P	*Hex Jam Nut 5/16 - 24 UNF
11	8881R	Ground Cable	41	3114P	*Lockwasher 5/16
12	9432R	Ammeter	42	1002P	*Lockwasher 1/4
13	9700R	Harness - Lift Motor	43	503P	*Hex Nut 1/4 - 20 UNC
14	4171R	Insulated Clip	44	542P	*Hex Nut No. 10 - 32 UNF
15	8984R	Lift Switch (Inc. Key No. 18)	45	1583P	Brass Washer No. 10
16	9246R	Up-Down Switch	47	5959P	*Hex Self-Tapping Screw No. 10 x 1/2 Type-23
17	7219R	Internal Tooth Lockwasher	48	3005P	*Hex Bolt 1/4 - 20 UNC x 3/4
18	566P	Hex Nut 15/32 - 32 NS	49	1506P	*Washer 8/32 x 5/8 x 16 Ga.
19	9697R	Ground Wire			
20	7703R	Light Switch			
21	7794R	Light Switch Knob			
24	2751H	Wire Clip			
25	7552H	Key and Ring Assembly			
26	4408R	Ignition Switch (Inc. Key No. 25)			
27	8257R	Terminal Identifier			
28	7755R	Safety Switch			

*STANDARD HARDWARE - PURCHASE LOCALLY

REPAIR PARTS

ROPER 11 H.P. GARDEN TRACTOR-MODEL NUMBER T12288R

TRANSAXLE



REPAIR PARTS

ROPER 11 H.P. GARDEN TRACTOR-MODEL NUMBER T12288R

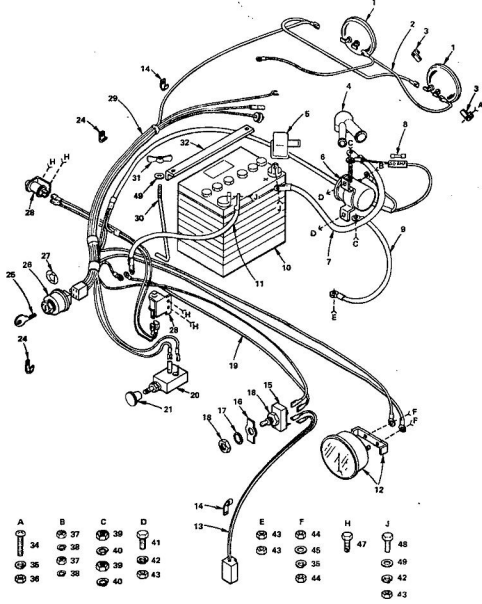
TRANSAXLE

KEY NO.	PART NO.	DESCRIPTION	KEY NO.	PART NO.	DESCRIPTION
1	4197R	Axle Shaft	49	4895H	Needle Bearing
2	5845R	Retaining Ring	50	4222R	Needle Bearing
3	4198R	Final Drive Gear	51	1529R	Needle Bearing
4	4216R	Differential Gear	52	8118M	Needle Bearing
5	4215R	Differential Pinion	53	4299R	Thrust Bearing Race
6	4217R	Differential Carrier	54	4209R	3rd Reduction Pinion - Low
7	6256R	Slide Thrust Washer	55	4213R	4th Reduction Gear
8	3056P	Hex Bolt 3/8 - 24 UNF x 3 - 1/4 (1" Thread Length)	56	4442R	3rd Reduction Pinion Spacer
9	7392M	Steel Ball	57	4196R	2nd Reduction Gear Shaft
10	6272H	Spring Shift Fork (Detent)	58	4214R	Final Drive Pinion
11	4980R	Shift Fork - High - Low Range	59	4194R	1st Reduction Gear Shaft
12	6256H	Thrust Bearing Race	60	7262R	1st Reduction Shaft Spacer
13	4212R	4th Reduction Pinion	61	4208R	3rd Reduction Pinion - High
14	4196R	3rd Reduction Gear Shaft	62	4207R	2nd Reduction Gear
15	6270H	Snap Ring - Crowned Type High - Low Range (Detent)	63	7398H	Needle Bearing
16	633A63	High - Low Range Gears	64	4203R	Low Speed Gear and 2nd Reduction Pinion Cluster
17	8118M	Needle Bearing	65	4204R	Reverse Gear
18	8140H1	Sintered Iron Bearing	66	7835M	Washnut 1/2 x 1/2
19	6217H	Shift Fork, High - Low Range	67	4826H	Snap Ring - Crowned Type Intermediate-Speed Gear
20	6218R	Differential Pinion Spacer	68	4205H	High Speed Gear
21	6252H1	Differential Pinion Bushing	69	4206R	Thrust Bearing Race
22	7810H	Slip-on Control Nut 3/8 - 24 UNF	70	1270H	Thrust Bearing Race Intermediate and High Speed Cluster Pinion
23	4988R	Shift Fork - L.H.	71	633A69	Intermediate and High Speed Cluster Pinion
24	7351R	Oil Seal	72	4193R	Input Shaft
25	92261	Sintered Iron Bearing	73	4201R	Low-Speed Pinion
26	6216H	Shift Fork - R.H.	74	5001P	"E" Ring
27	6262H	Shift Fork - R.H.	75	1153R	Reverse Idler Gear
28	9212R	Shift Shaft - High - Low Range	76	7392H	Reverse Idler Thrust Washer
29	6269H	Oil Seal	77	5239H	Needle Bearing
30	5855H	Pressure Relief Valve	78	504P	*Hex Nut 5/16 - 18 UNC
31	633A65	Gears, Reverse Idler Shaft and Gearcase - R.H. (Inc. Key No. 1, 17, 18, 25, 26, 30, 43, 76, 77 and 82)	79	1167R	Sealing Washer
32	6272H	Down Pin	80	6270H	Oil Seal
33	4226R	Needle Bearing	81	6270H	Oil Seal
34	7398H	Thrust Bearing Race	82	7394H	Reverse Idler Shaft
35	4198R	4th Reduction Gear Shaft	83	6394H	Control Knob
36	4200R	4th Reduction Gear Spacer	84	9011R	Gear Shift Lever - Bent
37	7395H	Thrust Bearing Race	85	2013R	Gear Shift Cap
38	6275H	Gearcase Gasket	86	633A68	Gear Shift Ball Cover and Pin
39	633A64	Gearcase and Bearings - L.H. (Inc. Key No. 18, 25, 49, 50 (2), 51 and 52)	87	6759H1	Shift Lever Guide Ball - Keyed
40	4002P	Pipe Plug 1/2 - 14 N.P.T.	88	4924H	Spring
41	4015P	Elbow 90° - 1/2 - 18 N.P.T.	89	1503P	*Washer 15/32 x 5/16 x 11 Ga.
42	4016P	Soft Flow Needle 1/2 - 14 N.P.T. x 3	90	9106R	3rd Mechanism Seal
43	6271H	Oil Seal	91	1509P	*Washer 9/16 x 15/16 x 11 Ga.
44	6267P	Pin Plus 1/4 - 18 N.P.T.	92	750	Gear Shift Latch
45	3027P	*Hex Bolt 5/16 - 18 x 1 1/2 G. x 5	93	6274H	Shift Ball Cover Gasket
46	1007P	Lockwasher 5/16 Extra Heavy	94	2005P	*Cover 1/8 - 3/8
			95	1003P	*Lockwasher 3/16
			96	2150P	*Hex Bolt 5/16 - 18 UNC x 7/8
			97	633A67	Gear Shift Lever Assy.
			98	633A66	Transaxle Assembly Less Brake Drum & Shift Lever Assy.

*STANDARD HARDWARE - PURCHASE LOCALLY

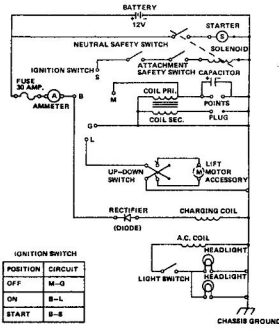
REPAIR PARTS

ELECTRICAL ROPER 11 H.P. GARDEN TRACTOR-MODEL NUMBER T1228AR



REPAIR PARTS

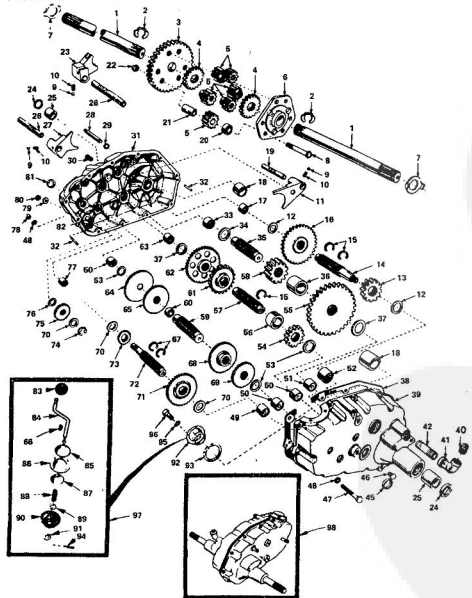
ELECTRICAL ROPER 11 H.P. GARDEN TRACTOR-MODEL NUMBER T1228AR



KEY NO.	PART NO.	DESCRIPTION	KEY NO.	PART NO.	DESCRIPTION
1	6452R	Headlight	29	303J	Wiring Harness
2	8031R	Wire-Headlight Ground	30	8864R	Battery Bolt
3	8794R	Headlight Clamp	31	3745M	Wing Nut 1/4 - 20 UNC
4	81J	Terminal Insulator (Dual)	32	8796R	Battery Hold Down
5	8866R	Terminal Insulator	34	3484P	Cross Recess Trans Hd. Mach. Screw No. 10 - 24 UNC x 1
6	103R	Solenoid (Inc. Key No. 37 thru 40)	35	1006P	*Lockwasher No. 10
7	8272R	Battery Cable	36	525P	*Hex Nut No. 10 - 24 UNC
8	8347R	Fuse - 30 Amp.	37	521P	*Hex Nut No. 8 - 32 UNC
9	8909R	Starter Cable	38	1006P	*Lockwasher No. 8
10	226J	Battery	39	538P	*Hex Jam Nut 5/16 - 24 UNF
11	8601R	Ground Cable	40	1006P	*Lockwasher 5/16
12	9433R	Ammeter	41	3114P	*Hex Bolt 1/4 - 20 UNC x 1/2
13	9000R	Hermes - Lift Motor	42	1006P	*Lockwasher 1/4
14	4717S	Insulated Dip	43	503P	*Hex Nut 1/4 - 20 UNC
15	8894R	Lift Switch (Inc. Key No. 18)	44	643P	*Hex Nut No. 10 - 32 UNF
16	8346R	Hex Nut 1/2 - 20 UNC	45	1583P	Brass Washer No. 10
17	7319R	Internal Tooth Lockwasher	47	5085P	Hex Nut Trimming Screw No. 10 x 1/2 Type 23
18	5866R	Hex Nut 1/2 - 20 UNC	48	3033P	*Hex Bolt 1/4 - 20 UNC x 3/4
19	9697R	Ground Wire	49	1506P	*Washer 8/32 x 5/8 x 16 Ga.
20	7792R	Light Switch			
21	7794R	Light Switch Knob			
22	7791R	Light Switch			
23	7522H	Key and Ring Assembly			
24	4406R	Ignition Switch (Inc. Key No. 25)			
25	8927R	Terminal Identifier			
26	7756R	Safety Switch			

REPAIR PARTS

TRANSAXLE ROPER 11 H.P. GARDEN TRACTOR-MODEL NUMBER T1228AR



REPAIR PARTS

TRANSAXLE ROPER 11 H.P. GARDEN TRACTOR-MODEL NUMBER T1228AR

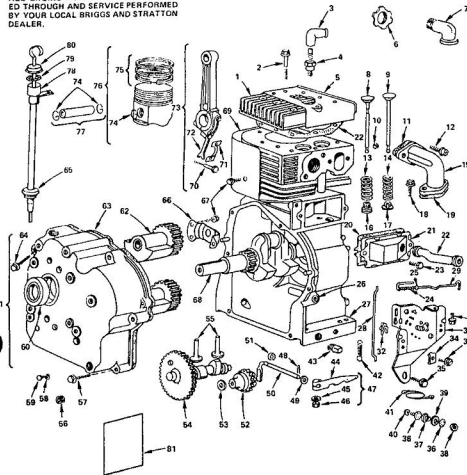
KEY NO.	PART NO.	DESCRIPTION	KEY NO.	PART NO.	DESCRIPTION
1	4197R	Axis Shaft	49	4895H	Needle Bearing
2	5845R	Paralleling Ring	50	4222R	Needle Bearing
3	4199R	Final Drive Gear	51	1529R	Needle Bearing
4	4216R	Differential Gear	52	8119M	Needle Bearing
5	4215R	Differential Pinion	53	4220R	Thrust Bearing Race
6	4217R	Differential Carrier	54	4209R	3rd Reduction Pinion-Slow
7	6206R	Hex Bolt 3/8 - 24 UNF x 3 - 1/4 (11 Thread Length)	55	4212R	4th Reduction Gear
8	3066P	Steel Ball	56	4442R	2nd Reduction Pinion Spacer
9	7392M	Spring Shift Fork Detent	57	4195R	2nd Reduction Gear Shaft
10	8272H	Shift Fork, High - Low Range	58	4214R	Final Drive Pinion
11	4865R	Thrust Bearing Race	59	4194R	1st Reduction Gear Shaft
12	4212R	4th Reduction Pinion	60	7258R	1st Reduction Shaft Spacer
13	4198R	3rd Reduction Gear Shaft	61	4208R	3rd Reduction Pinion - High
14	4180R	Snap Ring - Crescent Type	62	4207R	2nd Reduction Gear
15	8279H	High - Low Range Gears	63	7398H	Needle Bearing
16	8324G3	Needle Bearing	64	4203R	Low Speed Gear and 2nd Reduction Pinion Cluster
17	8118M	Sintered Iron Bearing	65	4204R	Reverse Gear
18	8740H1	Shift Fork Shaft, High - Low Range	66	7855M	Woodruff Key 1/8 x 1/2
19	8217H	Differential Pinion Spacing	67	4829H	Snap Ring, Crescent Type
20	4218R	Differential Pinion Spacing	68	4205R	Intermediate Speed Gear
21	8252H	Differential Pinion Bushing	69	4206R	High Speed Gear
22	7810H	Groove Centerlock Nut 3/8 - 24 UNF	70	1370H	Thrust Bearing Race
23	4866R	Shift Fork - L.H.	71	8334G3	Intermediate and High Speed Cluster Pinion
24	7393R	Oil Seal	72	4192R	Input Shaft
25	9291S	Sintered Iron Bearing	73	4201R	Low Speed Pinion
26	8216H	Shift Fork Shaft	74	5001P	*E Ring
27	8261H	Shift Fork - R.H.	75	1153R	Reverse Idler Gear
28	9012R	Shift Shaft, High - Low Range	76	7392H	Reverse Idler Thrust Washer
29	8269H	Oil Seal	77	4202R	Needle Bearing
30	8858H	Pressure Relief Valve	78	504P	*Hex Nut 5/16 - 18 UNC
31	8334G6	Gearcase, Reverse Idler Shaft and Bearings - R.H. (Inc. Key No. 17, 18, 25, 35, 60, 63, 76, 77 and 82)	79	1160R	Sealing Washer
32	8277H	Dowel Pin	80	541P	Hex Jam Nut 7/16 - 20 UNF
33	4225R	Needle Bearing	81	8270H	Oil Seal
34	7390H	Thrust Bearing Race	82	7384H	Reverse Idler Shaft
35	4198R	4th Reduction Gear Shaft	83	8364H	Control Knob
36	4203R	4th Reduction Gear Spacer	84	9011R	Gear Shift Lever - Bent
37	7390H	Thrust Bearing Race	85	8012R	Gear Shift Cover and Pin
38	8275H	Gearcase Gasket	86	8338S	Shift Lever - Concave Ball - Keyed
39	8334G4	Gearcase and Bearings - L.H. (Inc. Key No. 18, 25, 49, 50 (2), 61 and 82)	87	8739H1	Shift Mechanism Seal
40	4002P	Pipe Plug 1/2 - 14 N.P.T.	88	4924H	*Spring
41	4015P	Elbow 90° - 1/2 - 14 N.P.T.	89	1593P	*Washer 5/32 x 5/64 x 16 Ga.
42	4014P	Std. Pipe Nipple 1/2 - 14 N.P.T. x 3	90	8105R	Shift Mechanism Seal
43	8271H	Oil Seal	91	1599P	*Washer 5/16 x 5/16 x 11 Ga.
44	4001P	Pipe Plug 1/4 - 18 N.P.T.	92	743J	Gear Shift Gate
45	3037P	*Hex Bolt 5/16 - 18 x 1 - 1/2 Grade 5	93	8274H1	Shift Ball Cover Gasket
46	1007P	Lockwasher 5/16 Extra Heavy	94	2266P	*Cover 1/8 x 3/4
			95	1003P	*Lockwasher 5/16
			96	2159P	*Hex Bolt 5/16 - 18 UNC x 7/8
			97	6334B7	Gear Shift Lever Assy.
			98	6334B4	Transaxle Assembly Less Brake Drum & Shift Lever Assy.

REPAIR PARTS

ROPER 11 H.P. GARDEN TRACTOR—MODEL NUMBER T12288R
BRIGGS & STRATTON ENGINE—MODEL NUMBER 252417 TYPE 0130-01

CYLINDER AND CRANKCASE

ALL ENGINE PARTS MUST BE PURCHASED THROUGH AND SERVICE PERFORMED BY YOUR LOCAL BRIGGS AND STRATTON DEALER.



REPAIR PARTS

ROPER 11 H.P. GARDEN TRACTOR—MODEL NUMBER T12288R
BRIGGS & STRATTON ENGINE—MODEL NUMBER 252417 TYPE 0130-01

CYLINDER AND CRANKCASE

KEY NO.	PART NO.	DESCRIPTION	KEY NO.	PART NO.	DESCRIPTION
1	212300	Head, Cylinder	45	220620	Washer
2	9372J	Screw, Cylinder Head	46	231082	Nut, Hex No. 10 - 24
3	66026	Elbow, Spark Plug	47	391732	Lever Assy., Governor (Inc. Key No's. 45, 46 & 61)
4	23918	Plug, Spark	48	93306	Cap, Hex Pin
5	222725	Cover, Cylinder Head	49	222950	Washer, Governor Crank
6	91180	Locknut, Nut	50	231057	Crank, Governor
7	91308	Elbow, 90° Street	51	83207	Governor, "E" Ring
8	201395	Valve, Intake	52	391737	Cap, Governor
9	261462	Valve, Intake	53	221551	Washer, Valve
10	93303	Retainer, Exhaust Valve	54	212298	Gear, Cam
11	210872	*Gasket, Intake Elbow	55	261193	Turret, Valve
12	202760	Screw, Intake Elbow	56	93418	Pin, Hex Socket
13	20829	Spring, Exhaust Valve	57	93895	Reten., Crankcase Cover
14	62901	Spring, Intake Valve	58	222355	Washer
15	212301	Elbow, Intake	59	93854	Screw, Plug
16	202760	Retainer, Intake Valve	60	201875	Suit. Oil
17	212306	*Gasket, Crankcase Mounting	61	391747	Cover Assy., Crankcase (Inc. Key No. 60)
18	93415	Screw, Crankcase Mounting	62	391481	Counterweight & Bearing Assy.
19	210297	*Gasket, Crankcase Mounting	63	210856	*Gasket, Crankcase
20	21823	*Gasket, Valve Cover	64	93794	Screw, Crankcase Cover
21	301716	Breather Assy.	65	68839	Pin, Fillet
22	280112	Tube, Breather	66	222407	Retainer, Counterweight
23	93394	Screw, Breather Mfg.	67	93394	Screw, Retainer & Cylinder Shield
24	261119	Spring, Choke Link	68	201291	Shield, Cylinder
25	222552	Washer, Choke Link	69	222744	Screw, Connecting Rod
26	212656	Bushing, Governor Crank	70	92909	Screw, Connecting Rod
27	303413	Link, Governor Assy. (Inc. Key No. 261)	71	222299	Lock, Connecting Rod Screw
28	921208	Link, Governor	72	222323	Dupee, Connecting Rod
29	201289	Link, Choke	73	391816	Rod Assy., Connecting (Inc. Key No's. 71, 72 & 73)
30	93119	Plate, Governor	74	260924	Lock, Piston Pin
31	301533	Plate, Governor Control	75	391780	Ring, Seal, Piston
32	207412	Smith, Shoe	76	391785	Piston Assy., (Inc. Key No's. 75 & 76)
33	53459	Screw, Clamp	77	299881	Pin Assy., Piston (Inc. Key No. 75)
34	211585	Clamp, Cam	78	392283	Wash. Oil Filter
35	53335	Screw, Governor Plate	79	270933	Seal, Oil Filter Can
36	92791	Washer, Lock	80	392295	Can and Dripdock, Oil Filter
37	60284	Collar, Insulating	81	293421	Gasket Set
38	90576	Nut, Hex No. 8 - 32			
39	60288	Washer, Insulating			
40	93735	Screw, Terminal			
41	181094	Wax, Grease			
42	206595	Spring, Governor			
43	911682	Pin, Oil Drain			
44	92613	Bolt, Governor Lever			

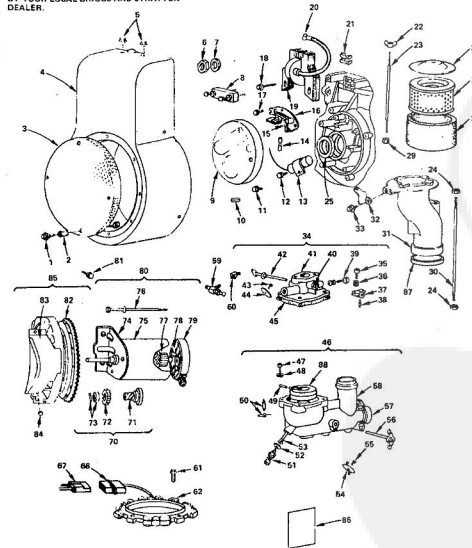
*INCLUDED IN GASKET SET 293421

REPAIR PARTS

ROPER 11 H.P. GARDEN TRACTOR—MODEL NUMBER T12288R
BRIGGS & STRATTON ENGINE—MODEL NUMBER 252417 TYPE 0130-01

STARTER, FLYWHEEL & CARBURETOR GROUP

ALL ENGINE PARTS MUST BE PURCHASED THROUGH AND SERVICE PERFORMED BY YOUR LOCAL BRIGGS AND STRATTON DEALER.



REPAIR PARTS

ROPER 11 H.P. GARDEN TRACTOR—MODEL NUMBER T12288R
BRIGGS & STRATTON ENGINE—MODEL NUMBER 252417 TYPE 0130-01

STARTER, FLYWHEEL & CARBURETOR GROUP

KEY NO.	PART NO.	DESCRIPTION	KEY NO.	PART NO.	DESCRIPTION
1	03572	Screw, Screen	46	301831	Carburetor Assy., (Inc. Key No's. 47, 48, 49, 50, 51, 52, 53, 54, 55, 56, 57 & 58)
2	231187	Sprocket	47	90745	Screw, Machine 10 - 32 x 5/8
3	222627	Screen, Blower Housing	48	92290	Lockwasher No. 10
4	391502	Housing, Blower	49	230396	*Pin, Float Hinge
5	91185	Screen, Blower Housing	50	299096	Valve, Fuel Inlet
6	92284	Washer, Spring	51	99525	*Valve, Needle
7	208665	Palmer, Flywheel	52	68557	*Gasket, Needle
8	19203	Key, Flywheel	53	390950	*Nozzle, Carburetor
9	222359	Cover, Breaker Point	54	391836	Valve, Choke
10	61760	Key, Flywheel	55	93499	Screw, Choke Valve
11	93045	Screw, Cover	56	391637	Shaft & Lever, Choke
12	95945	Screw, Condenser	57	221747	Pin, Wedge
13	391792	Pumper, Breaker Point	58	298514	Float, Carburetor
14	92704	Breaker Assy., Ignition	59	390303	Connector & Shoulder Valve
15	20018	Spring, Breaker Arm	60	92780	Elbow, Connector
16	391264	Screw, Armature Mfg.	61	93821	Screw, Starter
17	93226	Screw, Armature Adjusting	62	391620	Stator, Alternator
18	93281	Screw, Armature Mfg.	63	393456	Diode and Comm. Assembly
19	298988	Armature Assembly	67	393262	Air, Harness Assembly
20	221798	Terminal, Ignition Cable	70	393418	Drive Assy., Starter (Inc. Key No's. 71, 72 & 73)
21	221907	Nut, Wing	71	391135	Clutch Assy., Starter
22	93653	Nut, Hex 1/4 - 28	72	280212	Gear, Starter
23	231124	Stud, Air Cleaner	73	391462	Retainer & Pin Assy.
24	90128	Nut, Hex 1/4 - 28	74	391751	Drive End Cap Assy., Starter
25	201086	Cap, Air Cleaner	75	392744	Housing Assy.
26	222724	Cartridge, Air Cleaner	76	391106	Thru Bolt Assy.
27	391028	Element, Air Cleaner	77	392747	Armature Assy.
28	210973	Element, Air Cleaner	78	390420	Blush Set
29	92278	Nut, Hex 1/4 - 20	79	260946	Comm. End Cap
30	231144	Stud, Air Cleaner Adapter	80	392749	Motor, Starting (Inc. Key No's. 74, 75, 76, 77, 78 & 79)
31	212242	Adapter, Air Cleaner	81	93523	Screw, Drive End Cap
32	22272	Bracket, Adapter	82	392134	Cover, Flawless Ring
33	90468	Screw, Adapter Bracket	83	391629	Cover & Shield, Starter
34	301833	Body Assy., Upper Carburetor (Inc. Key No's. 25, 30, 37, 38, 39, 40, 41, 42, 43, 44 & 45)	84	93410	Screw, Starter Cover
35	91920	Screw, B - 32 x 5/8	85	391988	Flywheel & Ring Gear Assy., (Inc. Key No's. 82, 83 & 84)
36	28157	Spring, Throttle Adjustment	86	210705	Carburetor Overhaul Kit
37	61987	Pin, Throttle Stop	87	270985	Gasket, Air Cleaner Adapter to Carburetor
38	93043	*Valve Assy., Carburetor Idle	88	298514	Float, Carburetor
39	292681	Stop, Throttle			
40	23108	Bushing, Throttle Shaft			
41	298759	Block, Upper Carburetor			
42	391596	Shaft & Lever, Throttle			
43	93495	Screw, Throttle Valve			
44	221839	Screw, Throttle			
45	270268	*Gasket, Carburetor Body			

*INCLUDED IN GASKET SET NO. 293421

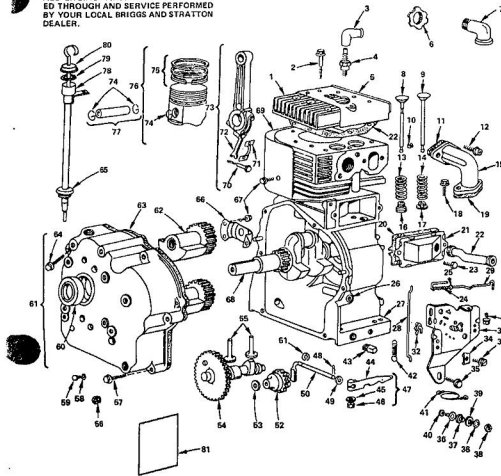
*INCLUDED IN CARBURETOR OVERHAUL KIT 391071

REPAIR PARTS

ROPER 11 H.P. GARDEN TRACTOR-MODEL NUMBER T1228AR
BRIGGS & STRATTON ENGINE-MODEL NUMBER 252417 TYPE 0130-01

CYLINDER AND CRANKCASE

ALL ENGINE PARTS MUST BE PURCHASED THROUGH AND SERVICE PERFORMED BY YOUR LOCAL BRIGGS AND STRATTON DEALER.



REPAIR PARTS

ROPER 11 H.P. GARDEN TRACTOR-MODEL NUMBER T1228AR
BRIGGS & STRATTON ENGINE-MODEL NUMBER 252417 TYPE 0130-01

CYLINDER AND CRANKCASE

KEY NO.	PART NO.	DESCRIPTION	KEY NO.	PART NO.	DESCRIPTION
1	212300	Head, Cylinder	45	220680	Washer
2	93723	Screw, Cylinder Head	46	221022	Nut, Hex No. 10 - 24
3	86638	Elbow, Spark Plug	47	391732	Lever Ass'y, Governor (Inc. Key No's 44, 45 & 46)
4	220918	Pin, Spark	48	93206	Cotter, Main Pin
5	222725	Cover, Cylinder Head	49	222450	Washer, Governor Crank
6	91210	Locknut, Nut	50	221027	Crank, Governor
7	91308	Elbow, 90° Street	51	93307	Retainer, "E" Ring
8	201189	Valve, Exhaust	52	391137	Retain, Cover
9	261462	Valve, Intake	53	221551	Washer, Thrust
10	93830	Retainer, Exhaust Valve	54	221258	Gear, Cam
11	220872	"Gasket, Intake Elbow	55	261183	Tappet, Valve
12	92208	Spring, Intake Valve	56	93816	Pin, Hex Socket
13	98628	Spring, Exhaust Valve	57	93885	Screw, Crankcase Cover
14	05906	Spring, Intake Valve	58	222956	Washer
15	212301	Elbow, Intake	59	93554	Screw, Plug
16	222260	Retainer, Intake Valve	60	201075	Stud, Oil
17	221566	Ratchet, Intake Valve	61	391747	Gover. Ass'y., Crankcase (Inc. Key No. 40)
18	93415	Screw, Carburetor Mounting	62	391481	Counterweight & Bearing Ass'y.
19	220267	"Gasket, Carburetor Mounting	63	220856	"Gasket, Crankcase
20	220803	"Gasket, Valve Cover	64	93766	Screw, Crankcase Cover
21	391575	Breather Ass'y.	65	68838	Seat, Filter Tube
22	280112	Tube, Breather	66	222407	Retainer, Counterweight
23	93294	Screw, Breather Mtg.	67	93294	Screw, Retainer & Cylinder Shield
24	261119	Washer, Choke Link	68	261291	Cam, Retainer
25	222252	Washer, Choke Link	69	222744	Shield, Cylinder
26	221065	Bushing, Governor Crank	70	92929	Screw, Connecting Rod
27	393413	Cylinder Ass'y. (Inc. Key No. 25)	71	222259	Lock, Connecting Rod Screw
28	261235	Link, Choke	72	222222	Dupper, Connecting Rod
29	261289	Link, Choke	73	391816	Rod Ass'y., Connecting
30	93156	Screw, Governor Plate	74	260924	Lock, Piston Pin
31	391833	Plate, Governor Control	75	391780	Ring Set, Piston
32	297472	Switch, Stop	76	391295	Pin Ass'y., Piston (Inc. Key No's 75 & 76)
33	93469	Screw, Clamp	77	282253	Wash. Oil Filter Cap
34	221535	Clamp, Casing	78	220833	Seal, Oil Filter Cup
35	221535	Screw, Governor Plate	79	93226	Cap and Distock, Oil Filter
36	92701	Washer, Lock	80	202421	Gasket Set
37	66654	Cap, Insulating	81		
38	90676	Nut, Hex No. 8 - 32			
39	66654	Washer, Insulating			
40	93735	Screw, Terminal			
41	291802	Wry, Ground			
42	260208	Spring, Governor			
43	91084	Plug, Oil Drain			
44	92013	Ball, Governor Lever			

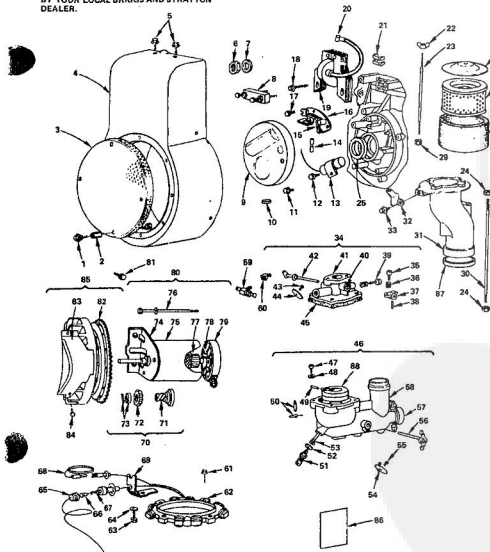
*INCLUDED IN GASKET SET 202421

REPAIR PARTS

ROPER 11 H.P. GARDEN TRACTOR-MODEL NUMBER T1228AR
BRIGGS & STRATTON ENGINE-MODEL NUMBER 252417 TYPE 0130-01

STARTER, FLYWHEEL & CARBURETOR GROUP

ALL ENGINE PARTS MUST BE PURCHASED THROUGH AND SERVICE PERFORMED BY YOUR LOCAL BRIGGS AND STRATTON DEALER.



REPAIR PARTS

ROPER 11 H.P. GARDEN TRACTOR-MODEL NUMBER T1228AR
BRIGGS & STRATTON ENGINE-MODEL NUMBER 252417 TYPE 0130-01

STARTER, FLYWHEEL & CARBURETOR GROUP

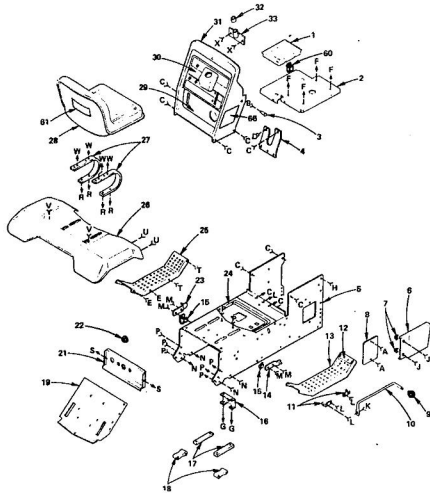
KEY NO.	PART NO.	DESCRIPTION	KEY NO.	PART NO.	DESCRIPTION
1	93572	Screw, Screen	48	391831	Carburetor Ass'y. (Inc. Key No's 47, 48, 49, 50, 51, 52, 53, 54, 55, 56, 57 & 58)
2	231187	Spacer	49	90748	Screw, Machine 10 - 32 x 5/8
3	222697	Screen, Blower Housing	46	92290	Lidwasher No. 10
4	291502	Housing, Blower	47	220898	+Pin, Float Hinge
5	93158	Screen, Blower Housing	50	220908	+Valve, Fuel Inlet
6	92284	Nut, Hex	51	95525	+Valve, Needle
7	220865	Washer, Spring	52	68587	+Gasket, Nozzle
8	192503	Pulley, Flywheel	53	390950	+Nozzle, Carburetor
9	220259	Key, Flywheel	54	391636	Valve, Choke
10	61760	Screw, Cover	55	34849	Spring, Choke Valve
11	93014	Screw, Condenser	56	391637	Shaft & Lever, Choke
12	93042	Condenser	57	221747	Pin, Wash
13	261799	Pulley, Breaker Point	58	288514	Float, Carburetor
14	66704	Breaker Ass'y., Ignition	59	390263	Connector & Shut-off Valve
15	26018	Screw, Breaker Arm	60	92780	Elbow, Connector
16	391294	Screw, Breaker Adjusting	61	932571	Screw, Stator
17	93226	Screw, Armature Mtg.	62	391520	Stator, Alternator
18	93261	Terminal, Ignition Cable	63	93398	Screw, Bracket
19	298908	Armature Assembly	64	220680	Washer
20	221798	Terminal, Ignition Cable	65	390888	Knob Ass'y., Fuse
21	221907	Clip, Wire	66	391027	Diode, Alternator
22	39463	Nut, Wing	67	261299	Spring, Diode
23	221124	Stud, Air Cleaner	68	290827	Wire Ass'y., Alternator
24	95129	Nut, Hex 1/4 - 28	69	222211	Bracket, Output
25	391686	Seal, Oil	70	393418	Wire Ass'y., Starter (Inc. Key No's 71, 72 & 73)
26	222724	Cup, Air Cleaner	71	391135	Clutch Ass'y., Starter
27	292295	Cartridge, Air Cleaner	72	282212	Gear, Starter
28	220973	Element, Air Cleaner	73	391462	Retainer & Pin Ass'y.
29	22279	Nut, Hex 1/4 - 20	74	391751	Drive End Cap Ass'y., Starter
30	221144	Stud, Air Cleaner Adapter	75	392744	Housing Ass'y.
31	222222	Bracket, Adapter	76	391206	Thru Bolt Ass'y.
32	222722	Screw, Adapter Bracket	77	392747	Armature Ass'y.
33	93469	Body Ass'y., Upper Carburetor (Inc. Key No's 36, 38, 37, 38, 39, 40, 41, 42, 43, 44 & 45)	78	392426	Brush Set
34	391633	Screw, Body Ass'y., Upper Carburetor	79	390945	Commutator End Cap
35	91920	Screw, Body Ass'y., Upper Carburetor	80	392749	Motor, Starter (Inc. Key No's 74, 75, 76, 77, 78 & 79)
36	39157	Spring, Throttle Adjustment	81	93523	Screw, Drive End Cap
37	61867	Stop, Throttle	82	392134	Gear, Flywheel Ring
38	92043	Pin, Throttle Stop	83	391629	Cover & Shield, Starter
39	292681	+Valve Ass'y., Carburetor Jet	84	93410	Screw, Starter Cover
40	22106	Bushing, Throttle Shaft	85	391888	Flywheel & Ring Gear Ass'y. (Inc. Key No's 82, 83 & 84)
41	298759	Body, Upper Carburetor	86	391071	Gasket, Air Cleaner Adapter to Carburetor
42	391595	Shaft & Lever, Throttle	87	220986	Gasket, Air Cleaner Adapter to Carburetor
43	93469	Screw, Throttle Valve	88	298514	Float, Carburetor
44	221939	Valve, Throttle			
45	220268	+Gasket, Carburetor Body			

*INCLUDED IN GASKET SET NO. 393421

*INCLUDED IN CARBURETOR OVERHAUL KIT 391071

REPAIR PARTS

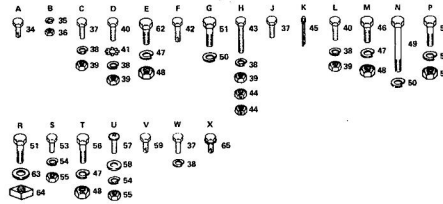
ROPER 14 H.P. GARDEN TRACTOR—MODEL NUMBER T4328AR
CHASSIS, FENDER & DASHBOARD



REPAIR PARTS

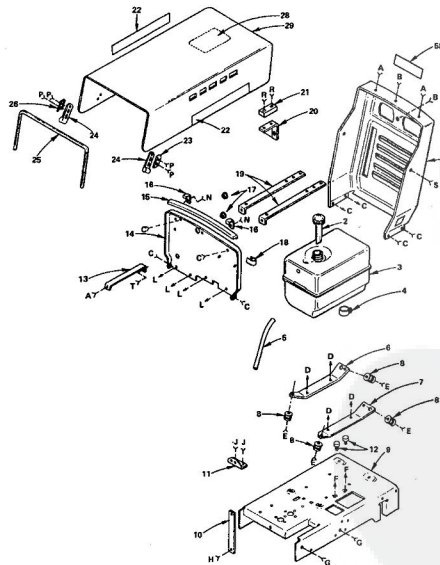
ROPER 14 H.P. GARDEN TRACTOR—MODEL NUMBER T4328AR
CHASSIS, FENDER & DASHBOARD

KEY NO.	PART NO.	DESCRIPTION	KEY NO.	PART NO.	DESCRIPTION
1	885SR	Battery Tray	36	505P	*Hex Nut No. 10 - 24 UNC
2	8797R	Tank & Battery Support	37	3003P	*Hex Bolt 5/16 - 18 UNC x 5/8
3	8798R	Hood Latch Pin	38	1003P	*Lockwasher 5/16
4	8792R	Tank & Battery Support Brace	39	504P	*Hex Nut 5/16 - 18 UNC
5	8608R	Chassis Channel	40	3010P	*Hex Bolt 5/16 - 18 UNC x 3/4
6	8791R	Engine Fuel Cover	41	1403P	*Ext. Tooth Lockwasher 5/16
7	8918R	Nut Retainer	42	9503P	Hex Head Thread Cutting Screw 5/16 - 18 UNC x 1 1/2 Type 23
8	8600R	Channel Access Cover	43	3373P	Hex Bolt 5/16 - 18 UNC x 1 - 1/2 Full Thd
9	6394H	Control Knob	44	1889H	Locknut 5/16
10	8758R	Range Shift Rod	45	2511P	*Cotter Pin 3/16 x 1
11	8818R	Range Shift Rod Bracket	46	3023P	*Hex Bolt 3/8 - 16 UNC x 7/8
12	8900R	Decal - Attachment Clutch	47	1004P	*Lockwasher 3/8
13	8940R	Foot Rest - R.H.	48	501P	*Hex Nut 3/8 - 16 UNC
14	673A33	Suspension Arm Bracket Weldment - R.H.	49	3155P	Hex Bolt 7/16 - 14 UNC x 2 - 1/4
15	2751R	Clip - Fuel Line	50	1001P	*Lockwasher 7/16
16	8628R	Transaxle Bracket	51	3034P	Hex Bolt 7/16 - 14 UNC x 1
17	155J	Seat Spring Lock Plate	52	509P	*Hex Bolt 1/4 - 20 UNC x 1/2
18	8248R	Transaxle Spacer	53	114P	*Lockwasher 1/4
19	673A65	Drawbar Assembly	54	1002P	*Hex Nut 1/4 - 20 UNC
20	237J	Chassis Channel Cover	55	3023P	*Hex Bolt 3/8 - 16 UNC x 1
21	3807R	Universal Bushing	56	3023P	*Hex Bolt 3/8 - 16 UNC x 1
22	673A38	Suspension Arm Bracket Weldment - L.H.	57	3358P	*Cross Recess Truss Head Machine Screw 1/4 - 20 UNC x 5/8 - 16 Ga
23	8888R	Decal - Shift Pattern	58	1508P	Hex Head Thread Cutting Screw 5/16 - 18 UNC x 1/2 Type 23
24	8641R	Foot Rest - L.H.	59	5000P	*Hex Bolt 5/16 - 18 UNC x 3/4
25	8500R	Fender	60	4171R	Insulated Clip
26	8768R	Seat Spring	61	245J	Decal - Roper
27	472J	Seat	62	3021P	*Hex Bolt 3/8 - 16 UNC x 3/4
28	199J	Decal - Lower Dashboard	63	193P	*Washer 15/32 x 5/8 x 10 Ga
29	192J	Decal - Upper Dashboard	64	868P	Sawtooth Nut 7/16 - 14 UNC
30	163J	Dashboard	65	5608P	Hex Washer Hd. Thrd. Cutting Screw 1/4 - 20 UNC x 1/2 Type 23
31	8038R	Brings	66	244J	Decal - 14 H.P.
32	673A66	Steering Bracket & Bearing (Inc. Key No. 23)	---	912J	Warranty - Fac Tag
33	5699P	Hex Head Thread Cutting Screw 1/4 - 20 UNC x 1/2 Type 23	---	236J	Owner's Manual
34	1006P	Lockwasher No. 10	---	---	*STANDARD HARDWARE-PURCHASE LOCALLY



REPAIR PARTS

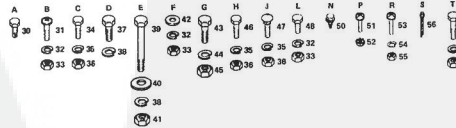
ROPER 14 H.P. GARDEN TRACTOR—MODEL NUMBER T4328AR
ENGINE MOUNT, HOOD & GRILL



REPAIR PARTS

ROPER 14 H.P. GARDEN TRACTOR—MODEL NUMBER T4328AR
ENGINE MOUNT, HOOD & GRILL

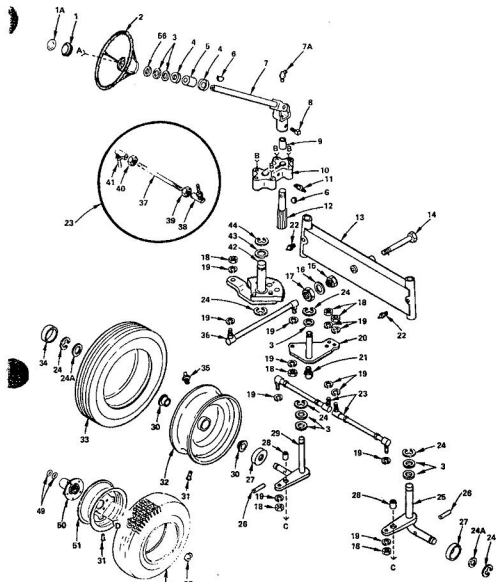
KEY NO.	PART NO.	DESCRIPTION	KEY NO.	PART NO.	DESCRIPTION
1	865SR	Grill	33	805P	*Hex Nut 1/4 - 20 UNC
2	889SR	Fuel Gauge	34	3000P	*Hex Bolt 5/16 - 18 UNC x 5/8
3	36J	Fuel Tank	35	1003P	*Lockwasher 5/16
4	8877R	Hose Clamp	36	504P	*Hex Nut 5/16 - 18 UNC
5	8608R	Fuel Line - Overflow	37	3022P	*Hex Bolt 3/8 - 16 UNC x 7/8
6	8300R	Engine Isolator Mounting Bracket - L.H.	38	1004P	*Lockwasher 3/8
7	8305R	Engine Isolator Mounting Bracket - R.H.	39	3238P	Hex Bolt Full Thread 3/8 - 16 UNC 2 - 1/4
8	673A124	Eng-Mount Assy	40	1589P	Washer 13/32 x 1 - 1/4 x 12 Ga.
9	673A178	Engine Base Weldment	41	501P	*Hex Nut 3/8 - 16 UNC
10	8818R	Engine Base Brace	42	1508P	*Washer 9/32 x 5/8 x 16 Ga.
11	8900R	Safety Switch Bracket	43	3034P	Hex Bolt 7/16 - 14 UNC x 1
12	9394R	Snubber Mount	44	1001P	*Lockwasher 7/16
13	8705R	Dashboard Brace	45	500P	*Hex Nut 7/16 - 14 UNC
14	8784R	Heat Shield	46	3010P	*Hex Bolt 5/16 - 18 UNC x 3/4
15	8928R	Sealing Strip	47	16P	*Std. Neck Carriage Bolt 5/16 - 18 UNC x 3/4
16	8934R	Sealing Strip Clamp	48	3114P	*Hex Bolt 1/4 - 20 UNC x 1/2
17	8151R	Snub Bushing	49	5601P	Hex Washer Head Sheet Metal Screw No. 10 x 3/8 Type AB
18	4171R	Insulated Clip	50	9601P	Hex Washer Head Sheet Metal Screw No. 10 - 24 UNC x 1/2
19	8781R	Grill Brace	51	3320P	*Keps Nut No. 10 - 24 UNC
20	8923R	Grill Bracket	52	3003P	*Cross Recess Pan Head Machine Screw No. 10 - 24 UNC x 3/4
21	9042P	Rubber Bumper	53	3003P	*Cross Recess Pan Head Machine Screw No. 10 - 24 UNC x 3/4
22	242J	Decal - Roper	54	1009P	*Lockwasher No. 10
23	8928R	Hood Latch Cover - R.H.	55	505P	*Hex Nut No. 10 - 24 UNC
24	8888R	Hood Latch Cover - L.H.	56	2503P	*Cotter Pin 3/32 x 3/16
25	8037P	Hood Strip	57	3011P	*Hex Bolt 5/16 - 18 UNC x 1
26	8015R	Hood Latch Cover - L.H.	58	295J	Decal - Roper Logo
27	8028R	Decal - Maintenance	---	---	---
28	673A163	Hood Pin	---	---	---
29	6600P	Hex Washer Head Thread Cutting Screw 5/16 - 18 UNC x 1/2 Type 23	---	---	---
30	6600P	*Cross Recess Truss Head Machine Screw 1/4 - 20 UNC x 3/4	---	---	---
31	3077P	Lockwasher 1/4	---	---	---
32	1002P	Lockwasher 1/4	---	---	---



REPAIR PARTS

ROPER 14 H.P. GARDEN TRACTOR-MODEL NUMBER T4328AR

STEERING AND FRONT AXLE

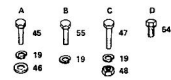


REPAIR PARTS

ROPER 14 H.P. GARDEN TRACTOR-MODEL NUMBER T4328AR

STEERING AND FRONT AXLE

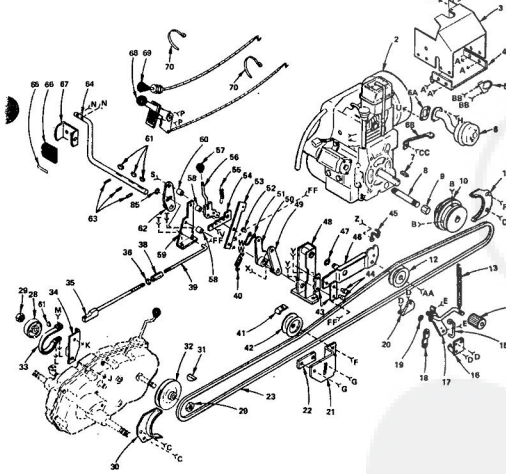
KEY NO.	PART NO.	DESCRIPTION	KEY NO.	PART NO.	DESCRIPTION
1	9719R	Steering Wheel Cap	29	673A19	Spindle Weldment - L.H.
1A	225J	Direct Steering Wheel Cap	30	6640R	Flange Bearing
2	2044R	Steering Wheel	31	795A	Line Valve
3	1522P	Washer 49/64 x 1 - 1/4 x 16 Ga.	32	3636R	Front Wheel (Inc. Key No's 20 & 29)
4	9007H	Cap - Steering Tube	33	2936R	Front Tire - Tubeless 18 x 6.50 8
5	5949H	Rubber Bushing	34	2118R	Dust Cap
6	9258M1	Woodruff Key	35	6659M	Grease Fitting
7	9822R	U-Joint (Inc. Key No. 7A)	36	8865R	Steering Drag Link
7A	9027R	Grease Fitting	37	673A20	Tie Rod (Inc. Key No's 39 & 40)
8	4505P	Sp. Hd. Set Screw 3/8 - 10 UNC x 1/2	38	8922R	Tie Rod Joint - L.H. Thread
9	181J	Turn Joint Spacer	39	547P	*Hex Jam Nut 3/8 - 24 UNF - L.H.
10	8839R	Steering Support Bracket	40	546P	*Hex Jam Nut 3/8 - 24 UNF
11	6842M	Steering Pinion	41	8521R	Tie Rod Joint - R.H. Thread
12	157J	Grease Fitting	42	673A17	Steering Sector Assy.
13	673A20	Front Axle Weldment	43	1553P	Washer 57/64 x 1 - 1/4 x 16 Ga.
14	8916R	*Washer 21/32 x 1 - 5/16 x 13 Ga.	44	6017P	E-Ring
15	156J	Shoulder Nut	45	3022P	*Hex Bolt 3/8 - 16 UNC x 1
16	1503P	*Washer 21/32 x 1 - 5/16 x 13 Ga.	46	1517P	*Hex Bolt 3/8 - 16 UNC x 1 - 3/4
17	522P	Hex Jam Nut 3/8 - 11 UNC	47	3028P	*Hex Bolt 3/8 - 16 UNC x 1 - 3/4
18	515P	*Hex Nut 3/8 - 24 UNF	48	5017P	*Hex Bolt 3/8 - 16 UNC
19	1004P	*Lockwasher 3/8	49	7583R	Axle Thru Nut Washers
20	673A20	Steering Ball Crank Weldment	50	65A4822	Wheel Hub and Bushing
21	6653M	Grease Fitting	51	3636R	Rear Wheel
22	6652M	Grease Fitting	52	3786R	Rear Tire - Tubeless 23.0 x 8.50 - 12
23	673A15	Steering Tie Rod (Inc. Key No's 37 thru 41)	53	6849R	E-Ring
24	1569P	Washer 49/64 x 1 - 5/8 x 16 Ga.	54	1204H	Hub Bolt
25	673A20	Spindle Weldment - R.H.	55	3022P	*Hex Bolt 3/8 - 16 UNC x 7/8
26	9258R	Woodruff Key	56	1591H	Washer 25/32 x 1 - 1/4 x 21 Ga.
27	8788R	Dust Cup - Inner			*STANDARD HARDWARE-PURCHASE LOCALLY
28	8807H	Bushing - Steering Stop			



REPAIR PARTS

ROPER 14 H.P. GARDEN TRACTOR-MODEL NUMBER T4328AR

CLUTCH BRAKE & DRIVE

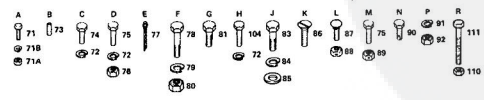


REPAIR PARTS

ROPER 14 H.P. GARDEN TRACTOR-MODEL NUMBER T4328AR

CLUTCH BRAKE & DRIVE

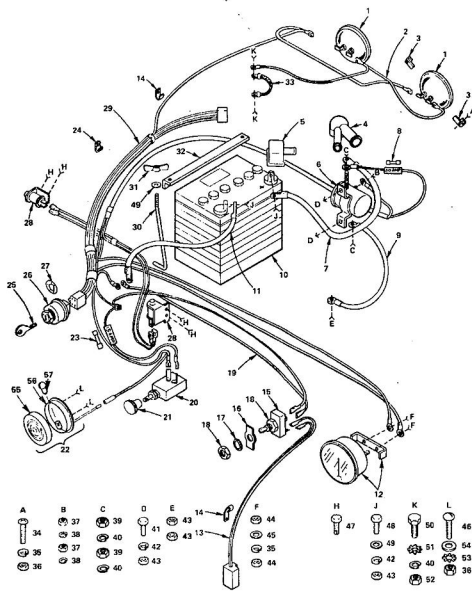
KEY NO.	PART NO.	DESCRIPTION	KEY NO.	PART NO.	DESCRIPTION
2	CH140	Engine - 14 H.P. Tecumseh	63	2228M	Woodruff Key 3/16 x 3/4 H.T.
3	15020R	Heat Deflector - Upper	64	8635R	Roll Pin
4	9585R	Heat Deflector - Lower	65	6142H	Roll Pin
5	673A75	Muffler Clamp (Inc. Key No's 72 & 76)	66	6760R	Foot Pedal Shaft
6	421J	Muffler	67	8889R	Inert - Clutch-Brake
6A	2049R	Muffler Gasket	68	9699R	Foot Pedal
6B	9223P	Exhaust Pipe Flange	69	6769R	Foot Pedal Bracket
7	9096E	Oil Drain Pipe 3/8 - 18 NPT x 3 - 1/2	70	8289R	Throttle Control
8	4011P	Drain Pipe Cap 3/8 - 18 NPT	71	8108R	Cable Tie
10	673A28	Engine Pulley & Set Screws	72	9218P	*Hex Nut Socket Head Mach. Screw 3/8 - 1/2
11	164J	Eng. Key No. 21	73A	666P	*Hex Nut No. 10 - 24 UNC
12	8968R	Spring - Mower Clutch	71B	1008P	*Lockwasher No. 10
13	8968R	Spring - Mower Clutch	71C	1003P	*Lockwasher 5/16
14	8968R	Spring - Mower Clutch	73	4546P	*Hex Forged Socket Headless Set Screw 5/16 - 18 UNC x 1/2
15	9268R	Clutch Spring Hanger	74	3006P	*Hex Bolt 5/16 - 18 UNC x 5/8
16	673A105	Clutch Lever Bracket Assy.	75	3010P	*Hex Bolt 5/16 - 18 UNC x 3/4
17	673A106	Clutch Lever Weldment	76	604P	*Hex Nut 5/16 - 18 UNC
18	8827R	Clutch Link - Lower	77	5006P	*Caster Pin 1/8
19	5018P	Retaining Ring	78	3636P	*Hex Bolt 7/16 - 14 UNC x 1 - 1/2
20	8828R	Clutch Bracket - Inner	79	1001P	*Lockwasher 7/8
21	8828R	Clutch Bracket - Inner	80	600P	*Hex Nut 7/16 - 14 UNC
22	8719R	Idler Bracket Lock Plate	81	8221P	*Hex Bolt 3/8 - 16 UNC x 3/4
23	8845R	Ground Drive Belt	83	3022P	*Hex Bolt 3/8 - 16 UNC x 7/8
24	714J	Clutch Drum	84	1004P	*Lockwasher 3/8
25	9204H	Locknut 1/2 - 20 UNF	85	1813P	Washer 13/32 x 13/16 x 16 Ga.
26	8829R	Transaxle Pulley Belt Guide	86	3164P	Undercut Flat Head Mach. Screw 3/8 - 16 UNC x 3/4
31	8858M1	Woodruff Key	87	10P	*Sp. Neck Carriage Bolt 1/4 - 20 UNC x 1/2
32	8847H	Brake Band Assy.	88	1605H	Locknut 1/4 - 20 UNC
33	673A25	Brake Band Weldment	89	1825H	*Lockwasher 5/16 - 18 UNC
34	673A27	Brake Rod Assy.	90	8589P	*Hex Hd. Thread Cutting Screw 1/4 - 20 UNC x 1/2 Type 23
35	673A26	Brake Rod Assy.	91	1002P	*Lockwasher 1/4
36	546P	*Hex Nut 3/8 - 18 UNC	92	603P	*Hex Nut 1/4 - 20 UNC
38	6417H	Turnbuckle	94	3275P	*Hex Bolt 5/16 - 18 UNC x 1 Grade 5
39	8829R	Brake Rod - Front	95	1506P	Washer 5/16 x 3/4 x 16 Ga.
40	8968R	Spring	96	3156P	*Hex Bolt 5/16 - 18 UNC x 7/8
41	8828R	Belt Idler - Flat	97	1575P	Washer 11/32 x 17/16 x 16 Ga.
42	8828R	Belt Idler - Flat	98	3003P	*Hex Bolt 1/4 - 20 UNC x 3/4
43	8912R	Drilled Flat Head Rivet	100	1055P	Washer 3/32 x 1 - 1/4 x 16 Ga.
44	8848R	V - Idler Belt Guide	101	8502P	Cross Rees Truss Head Thread Cutting Screw 1/4 - 20 UNC x 1/2 Type 22
45	8848R	V - Idler Belt Guide	102	3022P	*Hex Bolt 3/8 - 16 UNC x 1 - 1/2
46	673A162	Belt Idler Bracket Weldment	103	801H	*Hex Bolt 5/16 - 18 UNC
47	5017P	*Hex Bolt 3/8 - 16 UNC	104	3010P	*Hex Bolt 5/16 - 18 UNC x 3/4 G. 5
48	673A21	Belt Idler Support Assy.	105	6546P	*Hex Hd. Self-Drilling Screw No. 10 x 3/8 Type 22
49	8827R	Clutch Drum	106	1804P	Hex Washer Head Sheet Metal Screw No. 12 x 1/2 Type A8
50	8828R	Safety Switch Arm	107	5503P	Hex Washer Head Sheet Metal Screw No. 12 x 1/2 Type A8
51	8828R	Safety Switch Arm	108	1556P	Washer 1/4 x 3/16 x 16 Ga.
52	8911R	Drilled Flat Head Rivet	109	2056P	Caster Nut 1/8 - 204
53	9520R	Parking Brake Lock Bracket	110	607P	*Hex Jam Nut 5/16 - 18 UNC
54	1068J	Parking Brake Lock Bar	111	3211P	*Hex Bolt 5/16 - 18 UNC x 2 - 3/4
55	8948R	Spring - Parking Brake			*STANDARD HARDWARE-PURCHASE LOCALLY
56	673A18	Parking Brake Lever Weldment			
57	8817R	Control Knob - Parking Brake			
58	8808R	Bushing - Brake Lever			
59	8822R	Parking Brake Support			
60	8909R	Bushing - Lock Bar			
60A	2011P	*Hex Bolt 5/16 - 18 UNC x 1			



REPAIR PARTS

ROPER 14 H.P. GARDEN TRACTOR-MODEL NUMBER T4328AR

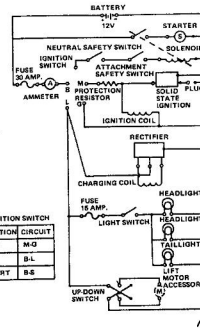
ELECTRICAL



REPAIR PARTS

ROPER 14 H.P. GARDEN TRACTOR-MODEL NUMBER T4328AR

ELECTRICAL

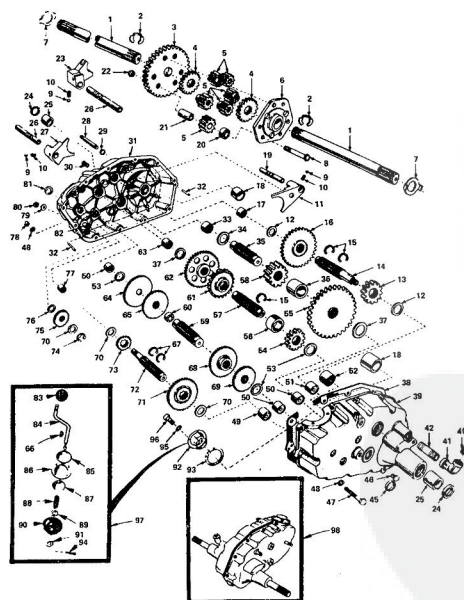


KEY NO.	PART NO.	DESCRIPTION	KEY NO.	PART NO.	DESCRIPTION
1	8452R	Headlight	32	8788R	Battery Hold Down
2	8031R	Wire - Headlight Ground	33	8288R	Ground Strap
3	874R	Headlight Glass	34	3348P	Cross Recast Trust Hd. Mesh. Screw No. 10 - 24 UNC x 1
4	51J	Terminal Insulator (Dual)	35	1006P	"Lockwasher No. 10
5	8566R	Terminal	36	805P	"Hex Nut No. 10 - 24 UNC
6	103H	Solenoid (Inc. Key No. 37 thru 40)	37	527H	"Hex Nut No. 8 - 32 UNC
7	8271R	Battery Cable	38	1002P	"Lockwasher No. 8
8	6347R	Fuse - 30 Amp.	39	832P	"Hex Nut 1/8 - 20 UNF
9	8008R	Starter	40	1003P	"Lockwasher 1/8
10	228L	Battery	41	3116P	"Hex Nut 1/4 - 20 UNF x 1/2
11	8681R	Ground Cable	42	1002P	"Lockwasher 1/8
12	9433R	Ammeter	43	802P	"Hex Nut 1/4 - 20 UNF
13	9700R	Horn - LH Motor	44	843P	"Hex Nut No. 10 - 32 UNF
14	4117R	Insulated Clip	45	1052P	Brass Washer No. 10
15	8966R	L2 Switch (Inc. Key No. 18)	46	3074P	Socket Flange Nut. Mach. Screw No. 10 - 24 x 3/4
16	8348R	Up-Down Plate	47	5959P	"Hex Self-Drilling Screw No. 10 x 1/2 Type 23
17	7318R	Internal Tooth Lockwasher	48	3003P	"Hex Bolt 1/4 - 20 UNC x 3/4
18	8657R	Ground	49	1506P	"Washer 9/32 x 5/8 x 18 Ga.
19	7795R	Light Switch	50	301P	"Hex Bolt 5/16 - 18 UNC x 3/4
20	7796R	Light Switch Knob	51	1483P	"Ext. Tooth Lockwasher 5/16
21	8282H	Tailight (Inc. Key No's. 55, 56 and 57)	52	1002P	"Lockwasher No. 10
22	7215R	Fuse 15 Amp.	53	1002P	"Lockwasher No. 10
23	7215R	Wire Clip	54	1506P	"Washer 7/32 x 1/2 x 18 Ga.
24	7052H	Key - 15 Amp.	55	8292H	Floures. Tailight
25	4406R	Ignition Switch (Inc. Key No. 26)	56	8292H	Bulb No. 1895 (2 Candle Power)
26	8657R	Terminal Insulator	57	8291H	"Floures. Tailight
27	7755R	Safety Switch			
28	241J	Wing Harness			
29	8854R	Battery Bolt			
30	3748M	Wing Nut 1/4 - 20 UNC			
31					

REPAIR PARTS

ROPER 14 H.P. GARDEN TRACTOR-MODEL NUMBER T4328AR

TRANSAXLE



REPAIR PARTS

ROPER 14 H.P. GARDEN TRACTOR-MODEL NUMBER T4328AR

TRANSAXLE

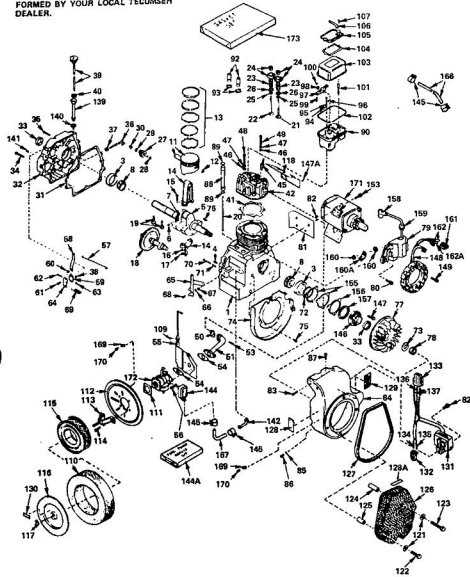
KEY NO.	PART NO.	DESCRIPTION	KEY NO.	PART NO.	DESCRIPTION
1	4107R	Axle Shaft	49	4805H	Needle Bearing
2	8845R	Retaining Ring	50	4222R	Needle Bearing
3	4199R	Final Drive Gear	51	1523R	Needle Bearing
4	4218R	Differential Pinion	52	8119M	Needle Bearing
5	4219R	Differential Pinion	53	4220R	Thrust Bearing Race
6	4217R	Differential Carrier	54	4209R	3rd Reduction Pinion - Low
7	6255H	Axle Thrust Washer	55	4212R	4th Reduction Gear
8	3065P	"Hex Bolt 3/8 - 24 UNF x 3 - 1/4 (3" Thread Length)	56	4442R	3rd Reduction Pinion Spacer
9	7802M	Shell Bolt	57	4169R	2nd Reduction Gear Shaft
10	6272H	Spring Shifts Fork Detent	58	42146	Final Drive Pinion
11	4085R	Shift Fork, High - Low Range	59	4194R	1st Reduction Gear Shaft
12	6268H	Thrust Bearing Race	60	7628R	1st Reduction Shaft Spacer
13	4212R	4th Reduction Pinion	61	4208R	3rd Reduction Pinion - High
14	4195R	3rd Reduction Gear Shaft	62	4207R	2nd Reduction Gear
15	4216H	Snap Ring - Crescent Type	63	7388H	Needle Bearing
16	633A63	High - Low Range Gears	64	4203R	Low Speed Gear and 2nd Reduction Pinion Cluster
17	8118M	Needle Bearing	65	4204R	Reverse Gear
18	8740H1	Sintered Iron Bearing	66	785M	Woodruff Key 1/8 x 1/2
19	6217H	Shift Fork Shaft, High - Low Range	67	4928H	Snap Ring - Crescent Type
20	4218R	Differential Pinion Spacer	68	4205H	Intermediate Speed Gear
21	6262H1	Differential Pinion Bushing	69	4206R	High Speed Gear
22	7810H	Group Gearlock Nut 3/8 - 24 UNF	70	1210H	Thrust Bearing Race
23	4968R	Shift Fork - L.H.	71	633A60	Intermediate and High Speed Cluster Pinion
24	7393R	Oil Seal	72	4102R	Input Shaft
25	902R1	Sintered Iron Bearing	73	4201R	Low Speed Pinion
26	6216H	Shift Fork - R.H.	74	5001P	"E Ring
27	6263H	Shift Fork, High - Low Range	75	1153R	Reverse Idler Gear
28	8012R	Oil Seal	76	7392H	Reverse Idler Thrust Washer
29	6260H	Oil Seal	77	559H	Needle Bearing
30	8885H	Pressure Relief Valve	78	504P	"Hex Nut 5/16 - 18 UNF
31	633A65	Gearcase, Reverse Idler Shaft and Bearings, R.H. (Inc. Key No's. 17, 18, 25, 31, 50, 61, 76, 77 and 82)	79	1167R	Sealing Washer
32	6277H	Dowel Pin	80	541P	"Hex Jam Nut 7/16 - 20 UNF
33	4222R	Needle Bearing	81	8270H	Oil Seal
34	7398H	Thrust Bearing Race	82	7384H	Reverse Idler Shaft
35	4198R	4th Reduction Gear Shaft	83	8304H	Control Knob
36	4200R	4th Reduction Gear Spacer	84	9011H	Gear Shift Lever - Bent
37	7395H	Thrust Bearing Race	85	9013R	Gear Shift Cap
38	6270H	Gearcase Gasket	86	633A62	Gear Shift Ball Cover and Pin
39	633A64	Gearcase and Bearings, L.H. (Inc. Key No's. 18, 25, 40, 50 (2), 51 and 52)	87	8738H1	Shift Lever Guide Ball - Keyed
40	4002P	Pin Plug 1/2 - 14 N.P.T.	88	4624H	Spring
41	4015P	Elbow 90° 1/2 - 14 N.P.T.	89	1503P	"Washer 19/32 x 5/8 x 18 Ga.
42	4018P	Oil Seal	90	8155H	Shift Mechanism Seal
43	6271H	Oil Seal	91	1509P	"Washer 9/16 x 15/16 x 11 Ga.
44	4001P	Pin Plug 1/4 - 18 N.P.T.	92	75J	Gear Shift Gears
45	6271H	Oil Seal	93	6274H	Shift Ball Cover Gasket
46	4001P	"Hex Bolt 5/16 - 18 - 1 - 1/2 Grade 5	94	2905P	"Carter 1 1/8 - 2 1/2
47	3383P	"Hex Bolt 5/16 - 18 - 1 - 1/2 Grade 5	95	1002P	"Lockwasher 5/16
48	1007P	"Lockwasher 5/16 Extra Heavy	96	3159P	"Hex Bolt 5/16 - 18 UNF x 7/8
			97	633A67	Gear Shift Lever Assy.
			98	833A64	Transaxle Assembly Less Brake Drum & Shift Lever Assy.

*STANDARD HARDWARE - PURCHASE LOCALLY

REPAIR PARTS

ROPER 14 H.P. GARDEN TRACTOR-MODEL NUMBER T4328AR
TECUMSEH 4 CYCLE ENGINE-MODEL NUMBER OH140-160039B

ALL ENGINE PARTS MUST BE PURCHASED THROUGH AND SERVICE PERFORMED BY YOUR LOCAL TECUMSEH DEALER.



REPAIR PARTS

ROPER 14 H.P. GARDEN TRACTOR-MODEL NUMBER T4328AR
TECUMSEH 4 CYCLE ENGINE-MODEL NUMBER OH140-160039B

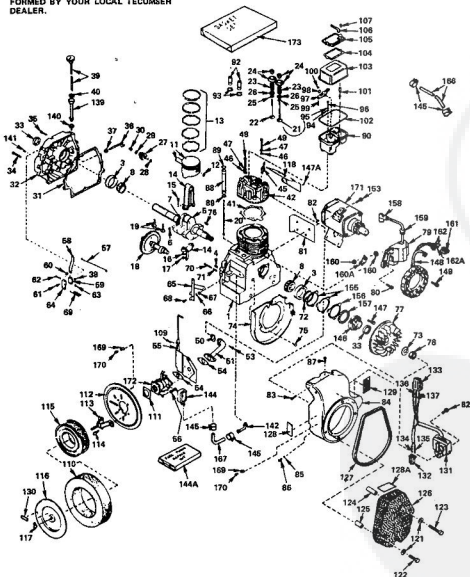
KEY NO.	PART NO.	DESCRIPTION	KEY NO.	PART NO.	DESCRIPTION
1	32873	Cylinder Assy. (Inc. No's. 4, 33 & 141)	34	32956	Screw, Hex Hd. Sems, 1/4 - 20 x 1
2	31928	Cup, Bearing	35	65055B	Screw, Hex Hd. Sems, 1/4 - 20 x 2
3	27652	Pin, Dowel	36	32425	Nut, Hex, Governor
4	32397	Pin, Crankshaft Assy. (Inc. No's. 3, 6, 7 & 8)	37	32426	Screw, Governor Rod
5	31931	Pin, Crankshaft Gds	38	25123	Ring, Retaining
6	31931	Gear, Crankshaft	39	32764	Gasket, Oil Fill (Inc. No. 40)
7	31931	Retaining Ring	40	32764	"Oil" Ring
8	32001A	Paton & Pin Assy. (Inc. No. 12) (Std.)	41	32474	*Gasket, Cylinder Head
11	32002	Paton & Pin Assy. (Inc. No. 12) (O10 oversize)	42	32474	Head, Cylinder (Inc. No. 92)
11	32003	Paton & Pin Assy. (Inc. No. 12) (O20 oversize)	43	32474	Plug, Spark (Champion L-80 or equiv)
11	32019	Paton & Pin Assy. (Inc. No. 12) (O40 oversize)	44	32474	Recitor Spark Plug (Canadian Regulation)
12	32004	Ring Set, Piston (Std.)	45	650991	Washer, Flat
13	32005	Ring Set, Piston (O10 oversize)	46	650992	Washer, Bellows
13	32006	Ring Set, Piston (O20 oversize)	47	650992	Screw, Hex Hd. Sems, 5/16 - 18 x 1-3/4
13	32007	Ring Set, Piston (O30 oversize)	48	650992	Screw, Hex Hd. Sems, 5/16 - 18 x 1-3/8
13	32024	Ring Set, Piston (O40 oversize)	49	32613	*Gasket, Intake Pipe
14	32924A	Rod Assy., Connecting (Inc. No's. 16, 16 & 17)	50	32613	Ring, Intake
15	32077	Washer, Connecting Rod	51	79202B	Screw, Hex Hd. Sems 5/16 - 18 x 7/8
16	29273	Washer, Connecting Rod	52	32676	Screw, Pin Hd. Sems, 5/16 - 18 x 1 - 1/8
17	29264	Nut, Connecting Rod	53	32676	Link, Governor
18	32470	Camshaft (Mech. Compression Release)	54	31854	Chain, Governor Lever
19	32472	Link, Push	55	650992	Lockwasher No. 10 E.T.
20	32471	Valve, Intake (Std.)	56	36012	Screw, Hex Washer Hd., 10 - 32 x 1/2
21	32645	Valve, Intake (1/32" oversize)	57	650992	Screw, Pan Hd., 10 - 24 x 3/8
22	32645	Valve, Exhaust (Std.)	58	7975	Nut, Square, 10 - 24
22	32645	Valve, Exhaust (1/32" oversize)	59	31895	Plate, Governor Spring
23	32645	Spring, Valve	60	31894A	Lever Assy., Control
24	32638	Retainer & Cap Set, Keeper Valve	61	31894	Washer, Valve
25	32638	Keeper, Valve	62	31885	Pushing, Governor Lever
26	32638	Retainer & Cap Set, Keeper Valve	63	650992	Screw, Hex Washer Hd., 10 - 24 x 5/8
27	32638	Keeper, Valve	64	31887	Spring, Governor
28	32638	Retainer & Cap Set, Keeper Valve	65	650992	Screw, Hex Hd., 10 - 24 x 2
29	32638	Keeper, Valve	66	31899	Spring, Locking
30	31849	Washer, Flat	67	650965	Washer, Lock
31	31849	Gasket, Cylinder Cover	68	650965	Washer, Blower Housing
32	32655	Cover Assy., Cylinder (Inc. No's. 33, 36, 37, 38, 141)	69	650965	Screw, Hex Hd. Sems, 1/4 - 20 x 5/8
33	31950	Seal, Oil	70	610956	Flywheel
			71	650956	Maguro, Solid State (Inc. No's. 158 & 160A)

*INDICATES PARTS INCLUDED IN GASKET SET KEY NO. 173

REPAIR PARTS

ROPER 14 H.P. GARDEN TRACTOR-MODEL NUMBER T4328AR
TECUMSEH 4 CYCLE ENGINE-MODEL NUMBER OH140-160039B

ALL ENGINE PARTS MUST BE PURCHASED THROUGH AND SERVICE PERFORMED BY YOUR LOCAL TECUMSEH DEALER.



REPAIR PARTS

ROPER 14 H.P. GARDEN TRACTOR-MODEL NUMBER T4328AR
TECUMSEH 4 CYCLE ENGINE-MODEL NUMBER OH140-160039B

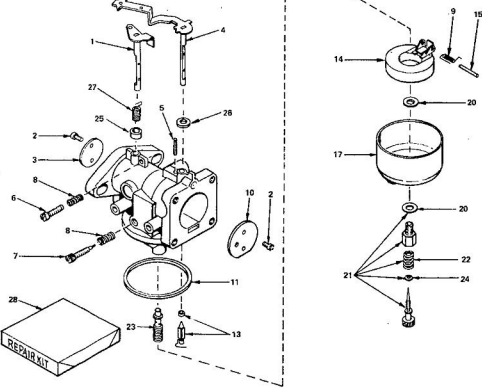
KEY NO.	PART NO.	DESCRIPTION	KEY NO.	PART NO.	DESCRIPTION
80	650601	Screw, Fil. Hd. w/Conical Spring Lockwasher, 1/4 - 20 x 3/4	125	34378	Spacer, Screen
81	32419	Extension, Blower Housing	126	34378	Screen Assy., Blower Housing (Inc. No. 126)
82	32668	Screw, Hex Hd. Sems, 1/4 - 20 x 1/2	127	34377	Seal, Guard
83	650751	Washer, 1/4 - 20 x 7/16	128	34346	Decal, Name & Instruction
84	32756A	Housing, Blower	128A	34387	Instruction Decal
85	6714	Lockwasher, Split, 5/16	129	34318	Decal, Name
86	650565	Screw, Hex Hd., 5/16 - 24 x 3/8	130	32984	Decal, Air Cleaner
87	650752	Screw, Hex Hd. Sems, 1/4 - 20 x 7/16	131	610968	Regulator, Recifier (Inc. No's. 132 thr 137)
88	32480	Tube, Push Rod	132	610971	Terminal
89	32481	"O" Ring	133	610990	Connector
90	32482	Housing, Rocker Arm	134	610922	Terminal
91	32483	Valve Guide Kit (Inc. No. 93)	135	610969	Terminal
92	32484	"O" Ring	136	610969	Terminal
93	34315	Ring, Retaining	137	610991	Terminal
94	32484	"O" Ring	138	610991	Terminal
95	650168	Washer, Flat	139	29673	Lever Assy., Oil Filter
96	32930A	Screw, Flanged Hex Hd., 1/4 - 20 x 29/32	140	29673	*Gasket, Oil Filter
97	32485	Arm, Rocker	141	31827	Plug, Plug (3/8 - 18 Sq. Hd.)
98	32486	Ring, Retaining	142	32658	Filter, Fuel Pump
99	650755	Screw, Adjusting	143	32658	Pump, Impulse Fuel
100	650556	Nut, Hex	144A	32610	Repair Kit, Impulse Fuel Pump
101	650756	Blud, Rocker Arm Cover	145	29642	Cover, Cylinder (See Note 1)
102	32487	Cover, Rocker Arm	146	32577	Screw, Hex Hd. Sems, 5/16 - 18 x 7/8
103	32488	Cover, Rocker Arm	147	79202B	Screw, Hex Hd. Sems, 5/16 - 18 x 1-1/8
104	31928	*Gasket, Breather	147A	650739	Cou Assy., Alternator (Inc. No's. 147 & 152A)
105	32489	Body Assy., Breather	148	610992	Screw, Fil. Hd. Sems, 10 - 32 x 1 - 1/8
106	32490	Tube, Breather	149	650781	*Screw, Hex Hd. Sems, 5/16 - 18 x 11/16
107	30102	Screw, Hex Washer Hd. Sems, w/Mastic	150	31971	*Gasket, Shim 1.005/1.005 (Inc. No. 151)
109	650738	Screw, Hex Washer Hd. Spinecock thrd Cutting, 1/4 - 20 x 5/8	151	31872	*Gasket, Shim 1.005/1.007 (Inc. No. 151)
110	32906	Fitter, Pre-Air	152	610118	Cover, Spark Plug
111	32902	*Gasket, Air Cleaner	153	610118	Ground, Lead Wire
112	32902	Bracket, Air Cleaner	154	610408	Nut, Hex, 8 - 32
113	32902	Bracket, Air Cleaner	155	610968	Terminal
114	650209	Screw, Fil. Hd. Sems, 10 - 32 x 5/8	156	610968	Terminal
115	32902	Element, Air Cleaner	157	610964	Terminal
116	32902	Cover, Air Cleaner	158	610964	Terminal
117	650513	Nut, Wing	159	29682	Line, Fuel
118	32455	Cover, Cylinder Head	160	34387	Clip, Control
119	650513	Washer, Lock	161	29682	Screw, Hex Hd. Sems, 10 - 32 x 3/8
120	650508	Screw, Truss Hd., 1/4 - 28 x 1 - 3/4	162	32676	Motor, Starter (1/2 Volt) (Inc. No. 153)
121	70703	Screw, Truss Hd., 1/4 - 28 x 2 - 9/16	163	62032	Carburetor (Inc. No. 54)
122	650508	Screw, Truss Hd., 1/4 - 28 x 2 - 9/16	164	32616A	Gasket Set (Inc. items marked *)
123	650508	Screw, Truss Hd., 1/4 - 28 x 2 - 9/16			
124	34378	Spacer, Screen			

*Indicates Parts Included in Gasket Set Key No. 173
NOTE: Determine the gap between the cover and the modified surface on the cylinder, which can be from .001" up to .007". In which case no shim gaskets will be required. Use of gaskets must be limited to a combined total of .010" thick. Steel spacers must be used as required to eliminate crankshaft end play.

REPAIR PARTS

ROPER 14 H.P. GARDEN TRACTOR-MODEL NUMBER T43284R
TECUMSEH 4 CYCLE ENGINE-MODEL NUMBER OH140160039B

CARBURETOR NO. 632032
ALL ENGINE PARTS MUST BE PURCHASED THROUGH AND SERVICE PERFORMED BY YOUR LOCAL TECUMSEH DEALER.

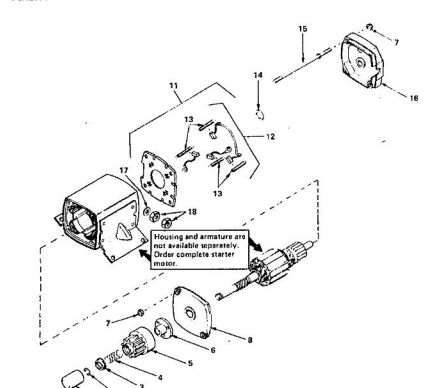


KEY NO.	PART NO.	DESCRIPTION	KEY NO.	PART NO.	DESCRIPTION
1	631881	Shaft & Lever Assy., Throttle (Inc. Key No. 2)	11	27109	*Gasket, Bowl-to-Body
2	30357	Screw, Hd. Hd., 6 - 32 x 3/16 (Early Production)	13	632024	*Valve, Seat & Spring Assy. (Inc. No. 9)
3	650506	Screw, Pan Hd. 4 - 40 x 3/16 (Late Production)	14	27106	Float
4	631882	Shutter, Throttle	15	27106	Shaft, Float
5	631883	Shaft & Lever Assy., Choke (Inc. Key No. 2)	17	29170	Bowl, Fuel
6	27113	Spring, Choke Stop	20	27110	*Gasket, Bowl-to-Body
7	650339	Spring, Throttle Adjusting	21	631764	*Needle Assy., Power Adjusting (Inc. No's. 20, 22, & 24)
8	27112	Screw, Throttle Adjusting	22	630786	Spring, Adjusting Needle
9	27114	Spring, Adjusting	23	631942	Needle, Main
10	632017	Spring, Float Shaft	24	27844	*O' Ring
11	631884	Shutter, Choke	25	632039	Seal, Throttle Shaft Dust
			26	632040	Seal, Choke Shaft Dust
			27	32098	Spring, Throttle Return
			28	632032	Repair Kit (Inc. Items Marked *)

REPAIR PARTS

ROPER 14 H.P. GARDEN TRACTOR-MODEL NUMBER T43284R
TECUMSEH 4 CYCLE ENGINE-MODEL NUMBER OH140160039B

STARTER MOTOR NO. 33835
ALL ENGINE PARTS MUST BE PURCHASED THROUGH AND SERVICE PERFORMED BY YOUR LOCAL TECUMSEH DEALER.

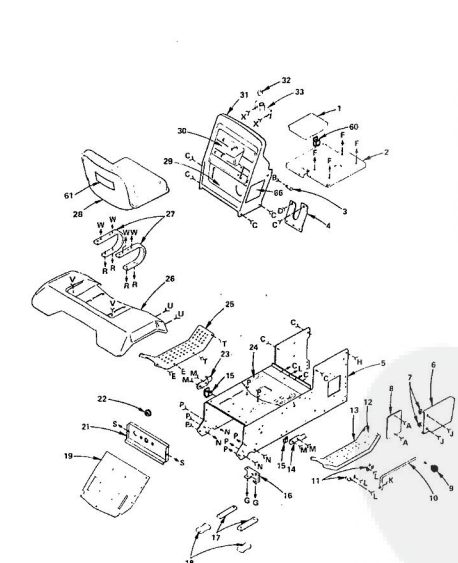


KEY NO.	PART NO.	DESCRIPTION	KEY NO.	PART NO.	DESCRIPTION
1	33841	Cover, Dust	12	33849	Brush & Spring Kit (Inc. 4 pcs. of No. 13)
2	33842	Ring, Retainer	13	33850	Spring, Brush
3	33843	Retainer, Spring	14	980500	Washer, Thrust
4	33844	Spring, Anti-Drill	15	33851	Bolt, 10 - 32 x 5 - 1/4
5	33845	Clear	16	33852	Cap Assy., Commutator end
6	33846	Nut, Engaging	17	950168	Washer, Flat
7	33847	Nut, Lock	18	650723	Nut, Hex
8	33848	Cap Assy., Drive End			
11	33848	Card Assy., Brush (Inc. No. 12)			

REPAIR PARTS

ROPER 14 H.P. GARDEN TRACTOR-MODEL NUMBER T43288R

CHASSIS, FENDER & DASHBOARD

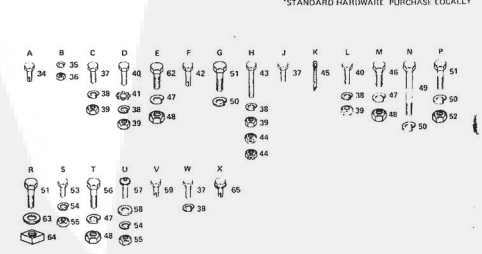


REPAIR PARTS

ROPER 14 H.P. GARDEN TRACTOR-MODEL NUMBER T43288R

CHASSIS, FENDER & DASHBOARD

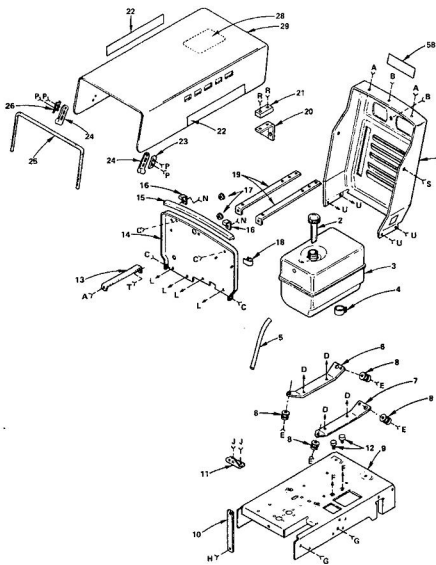
KEY NO.	PART NO.	DESCRIPTION	KEY NO.	PART NO.	DESCRIPTION
1	8945R	Battery Tray	36	505P	*Hex Nut No. 10 - 24 UNC
2	8797R	Tank & Battery Support	37	3009P	*Hex Bolt 5/16 - 18 UNC x 5/8
3	8755R	Head Latch Pin	38	1003P	*Lockwasher 5/16
4	8792R	Tank & Battery Support Brace	39	504P	*Hex Nut 5/16 - 18 UNC
5	8658R	Chassis Channel	40	3010P	*Hex Bolt 5/16 - 18 UNC x 3/4
6	8791R	Escape Pulley Cover	41	1408P	*Ext. Torx Lockwasher 5/16
7	8815R	Nut, Retainer	42	5503P	Hex Head Thread Cutting Screw 5/16 - 18 UNC x 2 1/2 Torx 23
8	8902R	Channel Access Cover	43	3373P	Hex Bolt 5/16 - 18 UNC x 1 1/2 Full T7
9	8364H	Control Knob	44	1686H	Locknut 5/16
10	8766R	Ramp Shift Rod	45	2511P	*Cutler Pin 3/16 x 1
11	8810R	Range Shift Rod Bracket	46	2022P	*Hex Bolt 3/8 - 16 UNC x 7/8
12	8900R	Decal - Attachment Clutch	47	1004P	*Lockwasher 3/8
13	8842R	Foot Rest - R.H.	48	5011P	*Hex Nut 3/8 - 16 UNC
14	67343Z	Suspension Arm Bracket Weldment - R.H.	49	3165P	Hex Bolt 7/16 - 14 UNC x 2 1/4
15	2751R	Clip - Fuel Line	50	1001P	*Lockwasher 7/16
16	8629R	Transaxle Bracket	51	3024P	*Hex Bolt 7/16 - 14 UNC x 1
17	105J	Seat Spring Lock Plate	52	500P	*Hex Nut 7/16 - 14 UNC
18	9248R	Transaxle Spacers	53	3114P	*Hex Bolt 1/4 - 20 UNC x 1 1/2
19	67345B	Driveline Assembly	54	1002P	*Lockwasher 1/4
21	237J	Chassis Channel Cover	55	500P	*Hex Nut 1/4 - 20 UNC
22	3807R	Universal Bushing	56	3023P	*Hex Bolt 3/8 - 16 UNC x 1
23	67343B	Suspension Arm Bracket Weldment - L.H.	57	3308P	*Cross Recess Torx Head Machine Screw 1/4 - 20 UNC x 5/8
24	8888R	Decal - Shift Pattern	58	5600P	Hex Head Thread Cutting Screw 5/16 - 18 UNC x 1 1/2 Type 23
25	5041R	Foot Rest - L.H.	59	1500P	*Washer 9/32 x 5/8 x 16 Ga.
26	8509R	Fender	60	5600P	Hex Head Thread Cutting Screw 5/16 - 18 UNC x 1 1/2 Type 23
27	8768R	Seat Spring	61	4171R	Headrest Clip
28	2214J	Seat	62	245J	*Decal - Ripper
29	189J	Decal - Lower Dashboard	63	3021P	*Hex Bolt 3/8 - 16 UNC x 3/4
30	192J	Decal - Upper Dashboard	64	1544P	*Washer 15/32 x 15/16 x 16 Ga.
31	163J	Dashboard	65	5600P	Hex Head Thread Cutting Screw 1/4 - 20 UNC x 5/8
32	9038R	Steering	66	5600P	Hex Head Thread Cutting Screw 1/4 - 20 UNC x 1 1/2 Type 23
33	67346B	Steering Bracket & Bearing (Inc. Key No. 23)	67	244J	Decal - 14 H.P.
34	5699P	*Hex Head Thread Cutting Screw 1/4 - 20 UNC x 1 1/2 Type 23	68	1723J	Warranty - 1st Fan
35	1006P	*Lockwasher No. 10	69	1719J	Warranty - 2nd Fan



REPAIR PARTS

ROPER 14 H.P. GARDEN TRACTOR-MODEL NUMBER T43288R

ENGINE MOUNT, HOOD & GRILL



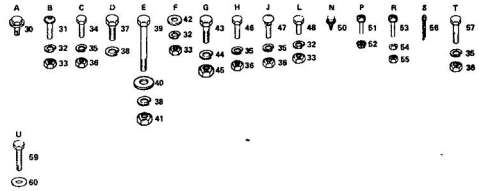
REPAIR PARTS

ROPER 14 H.P. GARDEN TRACTOR-MODEL NUMBER T43288R

ENGINE MOUNT, HOOD & GRILL

KEY NO.	PART NO.	DESCRIPTION	KEY NO.	PART NO.	DESCRIPTION
1	1547J	Grill	33	503P	*Hex Nut 1/4 - 20 UNC
2	8509R	Fuel Gauge	34	3003P	*Hex Bolt 5/16 - 18 UNC x 5/8
3	35J	Fuel Tank	35	1003P	*Lockwasher 5/16
4	8577R	Fuel Line	36	504P	*Hex Nut 5/16 - 18 UNC
5	8908R	Fuel Line - Overflow	37	3022P	*Hex Bolt 3/8 - 16 UNC x 7/8
6	5306S	Fuel Isolator Mounting Bracket - L.H.	38	1004P	*Lockwasher 3/8
7	8205R	Engine Isolator Mounting Bracket - R.H.	39	3232P	*Hex Bolt Full Thread 3/8 - 16 UNC x 1/4
8	5734124	Hex Nut 1/4 - 20 UNC	40	1588P	*Washer 13/32 x 1 - 1/4 x 12 Ga.
9	673A201	Engine Base Weldment	41	501P	*Hex Nut 3/8 - 16 UNC
10	8518R	Engine Base Drive	42	1506P	*Washer 9/32 x 5/8 x 16 Ga.
11	1505J	Safety Switch Bracket	43	3034P	*Washer 7/16 - 14 UNC x 1
12	8304R	Snubber Mount	44	1001P	*Lockwasher 7/16
13	8780R	Dashboard Brace	45	500P	*Hex Nut 7/16 - 14 UNC
14	8784R	Heat Shield	46	3010P	*Hex Bolt 5/16 - 18 UNC x 3/4
15	9283R	Sealing Strip	47	16P	*Sp. Neck Carriage Bolt 5/16 - 18 UNC x 2/4
16	8934R	Sealing Strip Clamp	48	3114P	*Hex Bolt 1/4 - 20 UNC x 1/2
17	0151R	Snap Bushing	50	5001P	*Hex Washer Head Sheet Metal Screw No. 10 x 3/8 Type AB
18	4171R	Insulated Clip	51	3320P	*Cross Recess Pan Head Machine Screw No. 10 - 24 UNC x 1/2
19	8781R	Grill Brace	52	501P	*Hex Nut No. 10 - 24 UNC
20	8523R	Grill Bracket	53	3005P	*Cross Recess Pan Head Machine Screw No. 10 - 24 UNC x 1/2
21	9042R	Rubber Bumper	54	1005P	*Lockwasher No. 10
22	242J	Decal - Roper	55	501P	*Hex Nut No. 10 - 24 UNC
23	8925R	Hood Latch Cover - R.H.	56	2503P	*Cover Pin 3/32 x 2/4
24	8898R	Hood Latch	57	3011P	*Hex Bolt 5/16 - 18 UNC x 1
25	8927R	Hood Strip	58	253J	*Decal - Roper Logo
26	9012R	Hood Latch Cover - L.H.	59	5503P	*Screw, Hex Hd. Thread Cutting, Type 23 5/16 - 18 UNC x 3/4
28	8028R	Decal - Maintenance	60	1537P	*Washer 1/2 x 1 1/8 x 16 Ga.
29	673A202	Hood			
30	5000P	Hex Washer Head Thread Cutting Screw 5/16 - 18 UNC x 1/2 Type 23			
31	3077P	*Cross Recess Truss Head Machine Screw 1/4 - 20 UNC x 3/4			
32	1002P	*Lockwasher 1/4			

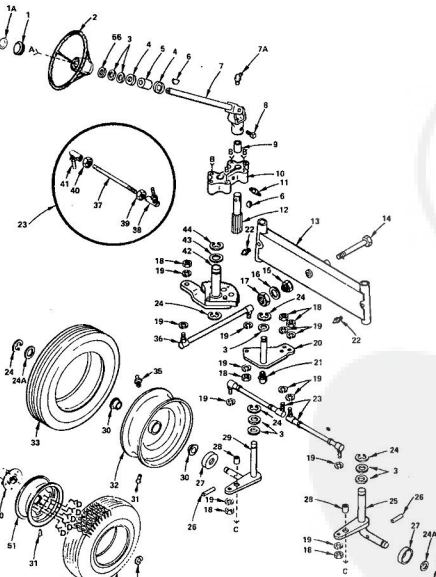
*STANDARD HARDWARE-PURCHASE LOCALLY



REPAIR PARTS

ROPER 14 H.P. GARDEN TRACTOR-MODEL NUMBER T43288R

STEERING AND FRONT AXLE



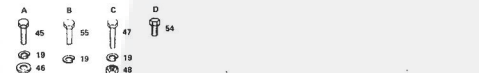
REPAIR PARTS

ROPER 14 H.P. GARDEN TRACTOR-MODEL NUMBER T43288R

STEERING AND FRONT AXLE

KEY NO.	PART NO.	DESCRIPTION	KEY NO.	PART NO.	DESCRIPTION
1	9719R	Steering Wheel Cap	29	673A10	Spindles Weldment - L.H.
1A	235J	Decal, Steering Wheel Cap	30	9040H	Flanged Bearing
2	3044R	Steering Wheel	31	735R	Tire Valve
3	1517P	Washer 25/32 x 1 - 1/4 x 16 Ga.	32	3526R	Front Wheel (Inc. Key No's. 30 & 35)
4	9007H	Cup - Steering Tube	33	3526R	Front Tire - Tubeless 16 x 6.50 - 8
5	5989R	Rubber Bushing	35	6266M	Grease Fitting
6	9958M1	Woodruff Key	36	8665R	Steering Drag Link
7	9929R	U-Joint (Inc. Key No. 7A)	37	673A19	Tie Rod (Inc. Key No's. 39 & 40)
7A	4545H	Grease Fitting	38	8922R	Tie Rod Joint - L.H. Thread
8	4503P	Sp. Hd. Set Screw 3/8 - 16 UNC x 1/2	39	547P	*Hex Jam Nut 3/8 - 24 UNF - L.H.
9	101J	"U" Joint Spacer	40	546P	*Hex Jam Nut 3/8 - 24 UNF
10	8529R	Steering Support Bracket	41	8921R	Tie Rod Joint - R.H. Thread
11	6842M	Grease Fitting	42	673A17	Steering Sector Assy.
12	151J	Steering Pawl	43	1516P	Washer 25/32 x 1 - 1/4 x 16 Ga.
13	673A203	Front Axle Weldment	44	5017P	E-Ring
14	8916H	Shoulder Nut	45	3023P	*Hex Bolt 3/8 - 16 UNC x 1
15	156J	Washer 21/32 x 1 - 5/16 x 13 Ga.	46	1517P	*Washer 7/16 x 1 x 14 Ga.
16	1503P	*Hex Jam Nut 3/8 - 11 UNC	47	3028P	*Hex Bolt 3/8 - 16 UNC x 1 - 3/4
17	523P	*Hex Nut 5/8 - 11 UNC	48	501P	*Hex Nut 3/8 - 16 UNC
18	515P	*Hex Nut 3/8 - 24 UNF	49	7563R	Axle Thrust Washers
19	1004P	*Lockwasher 3/8	50	6544002	Wheel Hub and Bushing
20	673A30	Steering Bell Crank Weldment	51	3535R	Rear Wheel
21	6853M	Grease Fitting	52	3765R	Rear Tire - Tubeless 23.0 x 8.50 - 12
22	6853M	Grease Fitting	53	5845R	E-Ring
23	673A15	Steering Tie Rod (Inc. Key No's. 37 thru 41)	54	1524H	Hub Bolt
24	5000P	E-Ring	55	3022P	*Hex Bolt 3/8 - 16 UNC x 7/8
24A	1021P	Washer 25/32 x 1 - 5/8 x 16 Ga.	56	1591P	*Washer 25/32 x 1 - 1/4 x 21 Ga.
25	673A20	Spindles Weldment - R.H.			
26	8530R	Grease Pin			
27	8781R	Dust Cap			
28	8507R	Bushing - Steering Stop			

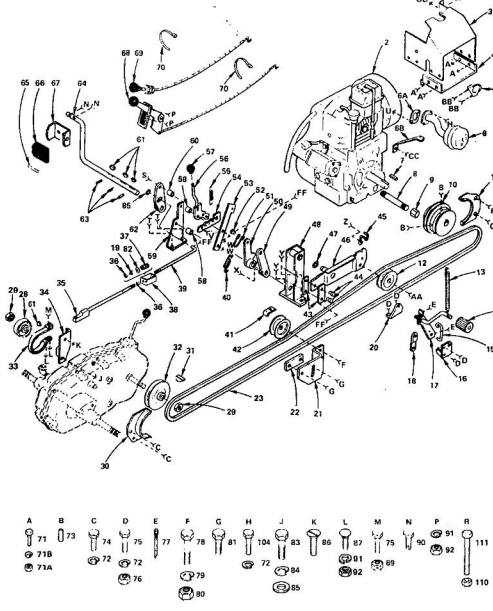
*STANDARD HARDWARE-PURCHASE LOCALLY



REPAIR PARTS

ROPER 14 H.P. GARDEN TRACTOR-MODEL NUMBER T43288R

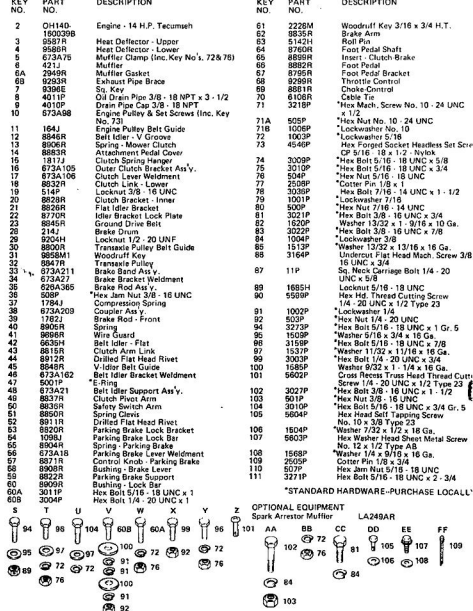
CLUTCH-BRAKE & DRIVE



REPAIR PARTS

ROPER 14 H.P. GARDEN TRACTOR-MODEL NUMBER T43288R

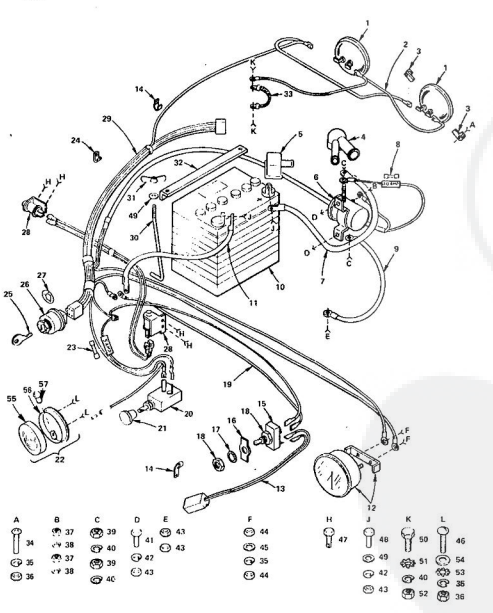
CLUTCH-BRAKE & DRIVE



REPAIR PARTS

ROPER 14 H.P. GARDEN TRACTOR-MODEL NUMBER T43288R

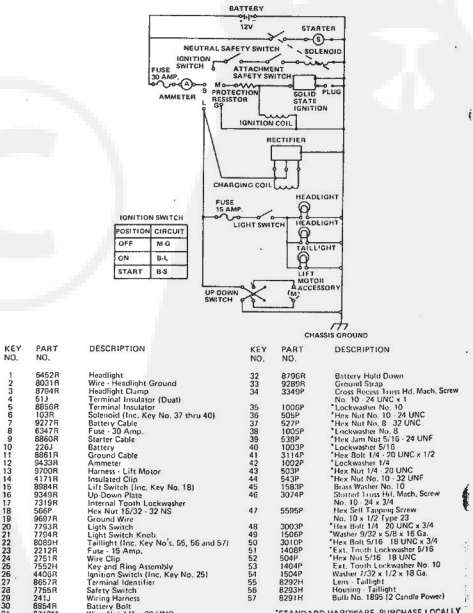
ELECTRICAL



REPAIR PARTS

ROPER 14 H.P. GARDEN TRACTOR-MODEL NUMBER T43288R

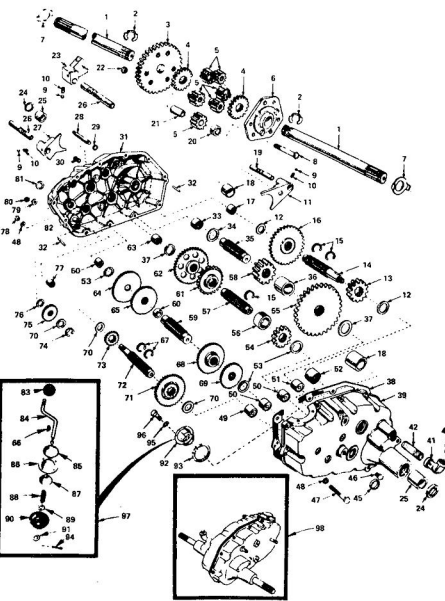
ELECTRICAL



REPAIR PARTS

ROPER 14 H.P. GARDEN TRACTOR-MODEL NUMBER T4328BR

TRANSAXLE



REPAIR PARTS

ROPER 14 H.P. GARDEN TRACTOR-MODEL NUMBER T4328BR

TRANSAXLE

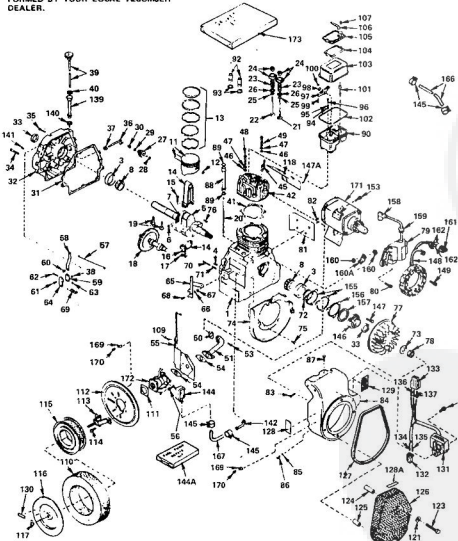
KEY NO.	PART NO.	DESCRIPTION	KEY NO.	PART NO.	DESCRIPTION
1	4197R	Axle Shaft	46	4895H	Needle Bearing
2	5845R	Retaining Ring	50	4222R	Needle Bearing
3	4199R	Front Drive Gear	51	4223R	Needle Bearing
4	4216R	Differential Gear	52	8115M	Needle Bearing
5	4215R	Differential Pinion	53	4220R	Thrust Bearing Race
6	4217R	Differential Carrier	54	4225R	3rd Reduction Pinion - Low
7	6256H	Axle Thrust Washer	55	4212R	3rd Reduction Pinion Spacer
8	3065P	Hex Bolt 5/16" x 3-1/4" (1" Thread Length)	56	444276	4th Reduction Pinion
9	7392M	Steel Ball	57	4195R	2nd Reduction Gear Shaft
10	6272H	Spring Shift Fork Detent	58	4714R	Front Drive Pinion
11	4956R	Shift Fork, High - Low Range	59	4194R	1st Reduction Gear Shaft
12	6268H	Thrust Bearing Race	60	3528R	1st Reduction Shaft Spacer
13	4212R	4th Reduction Pinion	61	4208R	3rd Reduction Pinion - High
14	4196R	3rd Reduction Gear Shaft	62	4207R	2nd Reduction Gear
15	6276H	Snap Ring - Crescent Type	63	7398H	Needle Bearing
16	633AC3	High - Low Range Clutch	64	4202R	Low Speed Gear and 2nd Reduction Pinion Clutch
17	8118M	Needle Bearing	65	4204R	Reverse Gear
18	6746M1	Intermediate Pinion	66	7355M	Woodruff Key 1/8 x 1/2
19	8217H	Shift Fork Shaft, High - Low Range	67	4926H	Snap Ring - Crescent Type
20	4218R	Differential Pinion Spacer	68	4205R	Intermediate Speed Gear
21	6262H1	Differential Pinion Bushing	69	4206R	High Speed Gear
22	7810H	Croze Coustric Nut 3/8" x 24 UNF	70	1306H	Thrust Bearing Race
23	4985R	Shift Fork - L.H.	71	633A69	Intermediate and High Speed Clutch Pinion
24	7393H	Clutch Pinion	72	4193R	Input Shaft
25	9221H	Sintered Iron Bearing	73	4201R	Low Speed Pinion
26	6216H	Shift Fork - R.H.	74	5001P	E-Ring
27	6294H	Shift Fork - R.H.	75	1533R	Reverse Idler Gear
28	9912R	Shift Shaft, High - Low Range	76	7382H	Reverse Idler Gear
29	6269H	Oil Seal	77	6252H	Needle Bearing
30	5855H	Pressure Relief Valve	78	5259H	Hex Nut 5/16" x 18 UNC
31	633A65	Gearcase, Reverse Idler Shaft and Bearings - R.H. (Inc. Key No. 17, 18, 25, 23, 50, 63, 76, 77 and 82)	79	1187R	Washer
32	6277H	Dowel Pin	81	6270H	Oil Seal
33	4223R	Needle Bearing	82	7384H	Reverse Idler Shaft
34	7398H	Thrust Bearing Race	83	6364H	Control Knob
35	4198R	4th Reduction Gear Shaft	84	6011H	Gear Shift Lever - Bent
36	4200R	4th Reduction Gear Shaft	85	9013R	Gear Shift Cap
37	7395H	Thrust Bearing Race	86	633A68	Gear Shift Ball Cover and Pin
38	6279H	Gearcase Gasket	87	8739H1	Shift Lever Guide Ball - Keyed
39	633A64	Gearcase and Bearings - L.H. (Inc. Key No. 18, 25, 45, 50 (2), 51 and 52)	88	4244H	Spring
40	4002P	Pin Plug 1/2" x 14 N.P.T.	89	1033P	Washer 10/32 x 5/16 x 16 Ga.
41	4015P	Elbow 90° 1/2" x 14 N.P.T.	90	8105R	Shift Mechanism Seal
42	4014P	90° Tee 1/2" x 14 N.P.T. x 3	91	1569H	Shift Ball Cover Gasket
43	6271H	Oil Seal	92	75J	Gear Shift Gait
44	4003P	Pin Plug 1/4" x 18 N.P.T.	93	6274H	Washer 1/8" x 15/16 x 11 Ga.
45	6271H	Oil Seal	94	2505P	*Cover 1/8" x 3/4"
46	4003P	Pin Plug 1/4" x 18 N.P.T.	95	1003P	*Lockwasher 6/16"
47	3087P	*Hex Bolt 5/16" x 1-1/2" Grade 5	96	3166P	*Hex Bolt 5/16" x 18 UNC x 7/8"
48	1007P	*Lockwasher 5/16 Extra Heavy	97	633A87	Gear Shift Lever Assy.
			98	633A84	Transaxle Assembly Less Brake Drum & Shift Lever Assy.

*STANDARD HARDWARE-PURCHASE LOCALLY

REPAIR PARTS

ROPER 14 H.P. GARDEN TRACTOR-MODEL NUMBER T4328BR
TECUMSEH 4 CYCLE ENGINE-MODEL NUMBER OH140-1600398

ALL ENGINE PARTS MUST BE PURCHASED THROUGH AND SERVICE PERFORMED BY YOUR LOCAL TECUMSEH DEALER.



REPAIR PARTS

ROPER 14 H.P. GARDEN TRACTOR-MODEL NUMBER T4328BR
TECUMSEH 4 CYCLE ENGINE-MODEL NUMBER OH140-1600398

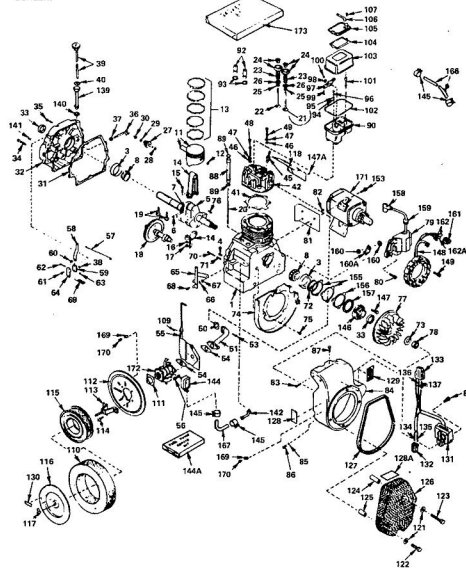
KEY NO.	PART NO.	DESCRIPTION	KEY NO.	PART NO.	DESCRIPTION
1	33523	Cylinder Assy. (Inc. No's. 4, 33 & 141)	34	30984	Screw, Hex Hd. Sems, 1/4" x 20 x 1
2	31278	Cup, Bearing	35	650268	Screw, Hex Hd. Sems, 1/4" x 20 x 2
3	27652	Pin, Dowel	36	32579	Rod Assy. Governor
4	33397	Crankshaft Assy. (Inc. No's. 3, 6, 7 & 8)	37	32426	Spacer, Governor Rod
5	22163	Pin, Crankshaft Cap	38	29193	Ring, Retaining
6	31931	Gear, Crankshaft	39	33764	Distric, Oil Fil. (Inc. No. 40)
7	31932	Bearing, Tapered Roller	40	101	O-Ring
8	31932	Bearing, Tapered Roller	41	33474	*Gasket, Cylinder Head
11	32001A	Piston & Pin Assy. (Inc. No. 12) (Std.)	42	31923	Spring, Cylinder (Inc. No. 92)
11	32001	Piston & Pin Assy. (Inc. No. 12) (I/O oversize)	45	33657	Plug, Spark (Champion L-85 or equivalent except for Canada)
11	32003	Piston & Pin Assy. (Inc. No. 12) (I/O oversize)	45	34046	Restrictor Spark Plug (Canadian Regulated engine - B-85 restrictor spark plug)
11	32610	Piston & Pin Assy. (Inc. No. 12) (I/O oversize)	46	65091	Washer, Flat
11	32620	Piston & Pin Assy. (Inc. No. 12) (I/O oversize)	47	65090	Washer, Bellville
12	31910	Ring, Piston Pin Retaining	48	65092	Screw, Hex Hd. 5/16" x 18 x 1-3/4
13	32004	Ring Set, Piston (Std.)	48	650746	Screw, Hex Hd. 5/16" x 18 x 1-3/8
13	32002	Ring Set, Piston (I/O oversize)	50	33519	*Gasket, Intake Pipe
13	32005	Ring Set, Piston (I/O oversize)	51	33476	Pin, Intake
13	32003	Ring Set, Piston (I/O oversize)	53	79202B	Screw, Hex Hd. Sems 5/16" x 18 x 7/8
13	32024	Ring Set, Piston (I/O oversize)	54	33476	*Gasket, Carburetor
14	33033A	Rod Assy., Connecting (Inc. No's. 15, 16 & 17)	55	33477A	Elbow, Air Extension
15	32077	Bolt, Connecting Rod	56	650278	Screw, Fil. Hd. Sems, 5/16" x 18 x 1-1/8
16	26073	Washer, Connecting Rod	57	33478	Link, Governor
17	26264	Nut, Lock	58	31983	Link, Governor Adjusting
18	33170	Camshaft (Mech. Compression Release)	59	31984	Clamp, Governor Lever
19	33472	Liter, Valve (Std.)	60	625313	Lockwasher No. 10 E.T.
20	33471	Rad. Push	61	39312	Screw, Hex Washer Hd., 10 x 32 x 1/2
21	33565	Valve, Intake (Std.)	62	625264	Screw, Flat Hd., 10 x 24 x 7/8
21	33565	Valve, Intake (I/O oversize)	63	7976	Nut, Square, 10 x 24
22	33646	Valve, Exhaust (Std.)	64	31985	Plate, Governor Spring
22	33646	Valve, Exhaust (I/O oversize)	65	31984A	Lever Assy., Control
23	33647	Spring, Valve	66	28258	Washer, Valve
24	33508	Returner & Cap Set, Keeper Valve	67	31987	Bushing, Governor Lever
25	33566	O-Ring	68	650267	Screw, Hex Washer Hd., 10 x 24 x 5/8
26	33510	Clp, Valve	69	31987	Spring, Locking
27	33473	Washer, Flat	70	32599	O-Ring
28	650745	Washer, Flat	71	650806	Washer, Lock
29	30658A	Washer, Flat	72	32579	Washer, Blower Housing
30	31948	Spool, Governor	75	650510	Screw, Hex Hd. Sems, 1/4" x 20 x 5/8
31	61567	Gasket, Cylinder Cover	76	650523	Nut, Flywheel
32	32085	Cover Assy., Cylinder (Inc. No's. 33, 36, 37, 38, 40, 141)	77	610900	Flywheel
33	31950	Soal, Oil	78	650594	Nut, Flywheel
			79	610900	Magneto, Solid State (Inc. No's. 158 thru 160A)

*INDICATES PARTS INCLUDED IN GASKET SET KEY NO. 173)

REPAIR PARTS

ROPER 14 H.P. GARDEN TRACTOR-MODEL NUMBER T4328BR
TECUMSEH 4 CYCLE ENGINE-MODEL NUMBER OH140-160038R

ALL ENGINE PARTS MUST BE PURCHASED THROUGH AND SERVICE PERFORMED BY YOUR LOCAL TECUMSEH DEALER.



REPAIR PARTS

ROPER 14 H.P. GARDEN TRACTOR-MODEL NUMBER T4328BR
TECUMSEH 4 CYCLE ENGINE-MODEL NUMBER OH140-160038R

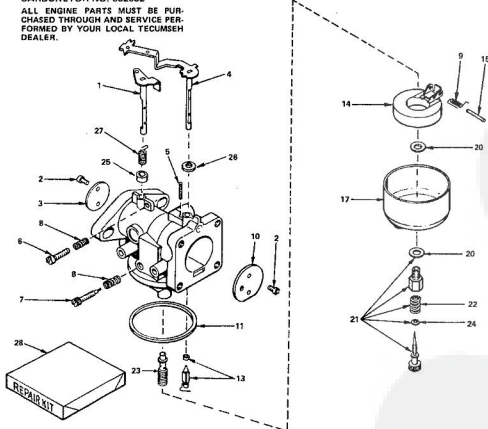
KEY NO.	PART NO.	DESCRIPTION	KEY NO.	PART NO.	DESCRIPTION
80	650661	Screw, Fil. Hd. w/Conical Spring Lockwasher, 1/4" - 20 x 3/4	125	34379	Spacer, Screen
81	33479	Extension, Blower Housing	126	34376	Screen Assy., Blower Housing (Inc. No. 34377)
82	36088	Screw, Hex Hd. Sems. 1/4" - 20 x 1/2	127	34377	Seal, Guard
83	650751	Screw, Hex Hd. w/Conical Spring Washer, 1/4" - 20 x 1/16	128	34346	Decal, Name & Instruction
84	33775A	Housing, Blower	128A	34387	Instruction Decal
85	8274	Lockwasher, Split, 5/16"	129	34316	Decal, Name
86	650565	Screw, Hex Hd., 5/16" - 24 x 3/8	130	32564	Decal, Air Cleaner
87	650752	Screw, Hex Hd. Sems., 1/4" - 20 x 7/16	131	610988	Regulator, Rectifier (Inc. No.'s 137 & 137A)
88	33481	"O" Ring	132	610921	Connector
89	33482	Housing, Rocker Arm	133	610990	Connector
90	33487	Yoke Guide Kit (Inc. No. 93)	134	610922	Terminal
91	750195	"O" Ring	135	610989	Terminal
93	34315	Ring, Retaining	136	610992	Terminal
94	33464	Washer, Flat	137	610991	Terminal
95	650168	Screw, Flange Hex Hd., 1/4" - 20 x 28/32	138	33468	Screw, Hex Hd., Oil Filler
96	32485	Arm, Rocker	140	28673	Gasket, Oil Fill Tube
97	33485	Ring, Retaining	141	31927	Plug, Pipe (2/8" - 18 Ga. Hd.)
98	33486	Screw, Adjusting	142	32958	Fitting, Fuel Pump
99	650755	Nut, Hex	144	32959	Pump, Impulse Fuel
100	650466	Stud, Rocker Arm Cover	144A	33010	Repair Kit, Impulse Fuel Pump
101	650756	"O" Ring	145	25610	Camo, Fuel Line
102	33487	Cover, Rocker Arm	146	32577	Cover, Cylinder (See Note 1)
103	33488	Gasket, Breather	147	650208	Screw, Hex Hd. Sems. 5/16" - 18 x 7/8
104	31668	Body Assy., Breather	147A	650738	Screw, Pan Hd., 10 - 16 x 3/8
105	33489	Screw, Hex Washer Hd. Sems. w/Mastic Coating, 1/4" - 20 x 5/8	148	610902	Coil Assy., Alternator (Inc. No.'s 151, 152 & 152A)
106	33490	Screw, Hex Washer Hd. Spinalock th'd Coating, 1/4" - 20 x 5/8	149	650521	Screw, Fil. Hd. Sems 10 - 32 x 1 - 1/4"
107	30102	Filter, Pre-Air	153	650781	Screw, Hex Hd. Sems. 5/16" - 18 x 11
110	22906	Gasket, Air Cleaner	155	31921	Gasket, Shim (205/005 thick, see note 1)
111	33492	Bracket, Air Cleaner	156	31972	Gasket, Shim (205/007 thick, see note 1)
112	33777	Bracket, Air Cleaner	157	30031	Spacer, Steel (010 thick, see note 1)
113	33778	Bracket, Air Cleaner	158	610118	Cover, Spark Plug
114	650289	Screw, Fil. Hd. Sems. 10 - 32 x 5/8	159	610760	Grommet, Lead Wire
115	25028	Element, Air Cleaner	160	610408	Nut, Hex. 8 - 32
116	25024	Cover, Air Cleaner	162	610908	Terminal
117	650513	Nut, Hex	161	610903	Connector, Pyramid
118	33495	Cover, Cylinder Head	162A	610904	Terminal
119	27028	Washer, Lock	163	65062	Terminal
120	650288	Screw, Truss Hd. 1/4" - 28 x 1 - 3/8	167	34367	Line, Fuel
121	650909	Screw, Truss Hd. 1/4" - 28 x 1 - 9/16	169	27953	Clip, Corbel
122	650909	Screw, Truss Hd. 1/4" - 28 x 1 - 9/16	170	28842	Screw, Hex Hd. Sems. 10 - 32 x 3/8
123	34378	Spacer, Screen	171	33832	Motor, Starter (12 Volt) (Inc. No. 152)
			172	632032	Carburetor (Inc. No. 64)
			173	33816A	Gasket Set (Inc. items marked *)

*Indicates Parts Included in Gasket Set Key No. 173
NOTE: Determine the gap between the cover and the machined surface on the cylinder, which can be from .001" up to .007" in which case no shim gaskets will be required. Use of gaskets must be limited to a combined total of .010" thick. Steel spacers must be used as required to eliminate crankshaft end play.

REPAIR PARTS

ROPER 14 H.P. GARDEN TRACTOR-MODEL NUMBER T4328BR
TECUMSEH 4 CYCLE ENGINE-MODEL NUMBER OH140-160038R

CARBURETOR NO. 632032
ALL ENGINE PARTS MUST BE PURCHASED THROUGH AND SERVICE PERFORMED BY YOUR LOCAL TECUMSEH DEALER.

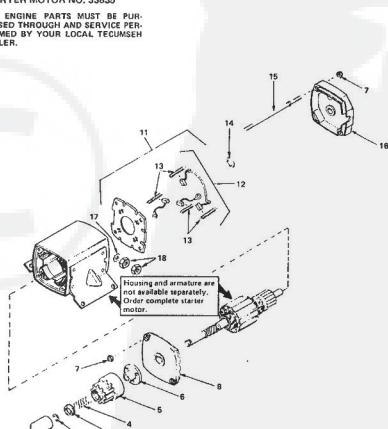


KEY NO.	PART NO.	DESCRIPTION	KEY NO.	PART NO.	DESCRIPTION
1	631681	Shaft & Lever Assy., Throttle (Inc. Key No. 2)	11	27109	*Gasket, Bowl-to-Body
2	30357	Screw, Rd. Hd., 6 - 32 x 3/16 (Early Production)	13	632024	*Valve, Seat & Spring Assy. (Inc. No. 9)
3	650506	Screw, Pan Hd. 4 - 40 x 3/16 (Late Production)	14	27105	Float
4	631682	Shutter, Throttle	15	27106	*Shaft, Float
5	631683	Shaft & Lever Assy., Choke (Inc. Key No. 2)	17	29170	Bowl, Fuel
6	27113	Spring, Choke Stop	20	27110	*Gasket, Bowl-to-Body
7	650289	Screw, Throttle Adjusting	21	631764	*Needle Assy., Power Adjusting (Inc. No. 8, 20, 22, & 24)
8	27112	Spring, Throttle Adjusting	22	630788	Spring, Adjusting Needle
9	27114	Spring, Adjusting	24	27644	Nozzle, Main
10	632017	Spring, Float Shaft	26	632029	Seal, Throttle Shaft Dust
			28	632040	Seal, Choke Shaft Dust
			29	32096	Spring, Throttle Return
			28	632033	Repair Kit (Inc. Items Marked *)

REPAIR PARTS

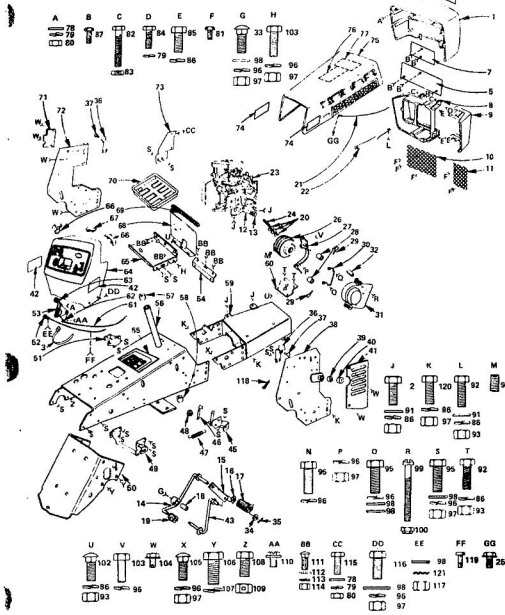
ROPER 14 H.P. GARDEN TRACTOR-MODEL NUMBER T4328BR
TECUMSEH 4 CYCLE ENGINE-MODEL NUMBER OH140-160038R

STARTER MOTOR NO. 33835
ALL ENGINE PARTS MUST BE PURCHASED THROUGH AND SERVICE PERFORMED BY YOUR LOCAL TECUMSEH DEALER.



KEY NO.	PART NO.	DESCRIPTION	KEY NO.	PART NO.	DESCRIPTION
1	33841	Cover, Dust	12	33849	Brush & Spring Kit (Inc. 4 pos. of No. 13)
2	33842	Ring, Retainer	13	33850	Spring, Brush
3	33843	Retainer, Spring	14	500650	Washer, Thrust
4	33844	Screw, Anti-Dirt	15	33511	Bolt, 10 - 32 x 5 - 1/4
5	33844	Cap	16	33852	Cap Assy., Commutator end
6	33433	Nut, Engaging	17	650168	Washer, 1/16"
7	33450	Pin, Lock	18	660723	Nut, Hex
8	33845	Cap Assy., Drive End			
11	33848	Carb Assy., Brush (Inc. No. 12)			

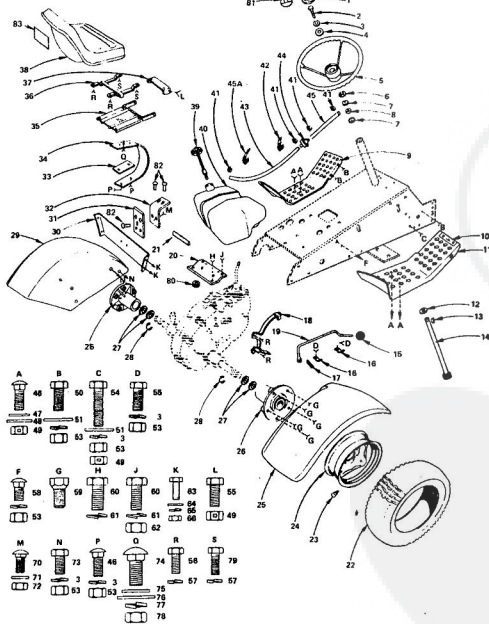
ROPER 16T GARDEN TRACTOR-MODEL NO. T6328AR MAIN FRAME, DASH AND GRILL



ROPER 16T GARDEN TRACTOR-MODEL NO. T6328AR MAIN FRAME, DASH AND GRILL

Table listing repair parts for the main frame, dash, and grill. Columns include KEY NO., PART NO., DESCRIPTION, KEY NO., PART NO., and DESCRIPTION. The list includes items like Grill-Upper, Decal-Grill, Grill Panel-Lower, and various fasteners. It ends with a note: *STANDARD HARDWARE-PURCHASE LOCALLY

ROPER 16T GARDEN TRACTOR-MODEL NO. T6328AR STEERING AND FINAL DRIVE



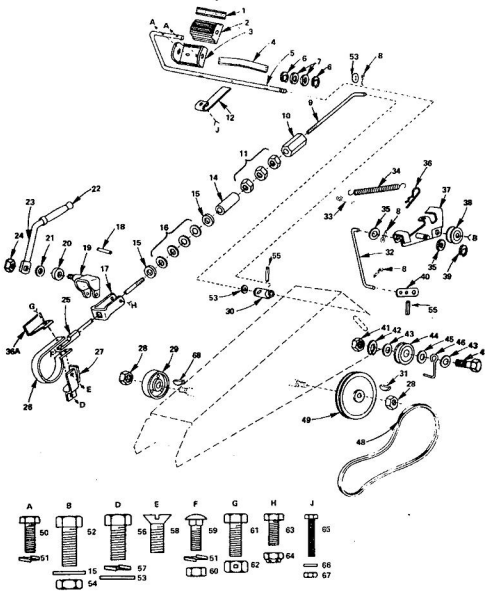
ROPER 16T GARDEN TRACTOR-MODEL NO. T6328AR STEERING AND FINAL DRIVE

Table listing repair parts for the steering and final drive. Columns include KEY NO., PART NO., DESCRIPTION, KEY NO., PART NO., and DESCRIPTION. The list includes items like Steering Wheel Insert, Lockwasher 3/8, Washer 7/16 x 1 x 10 Ga, and various bearings and shafts. It ends with a note: *STANDARD HARDWARE-PURCHASE LOCALLY

REPAIR PARTS

ROPER 16T GARDEN TRACTOR-MODEL NO. T6328AR

BRAKE AND CLUTCH



REPAIR PARTS

ROPER 16T GARDEN TRACTOR-MODEL NO. T6328AR

BRAKE AND CLUTCH

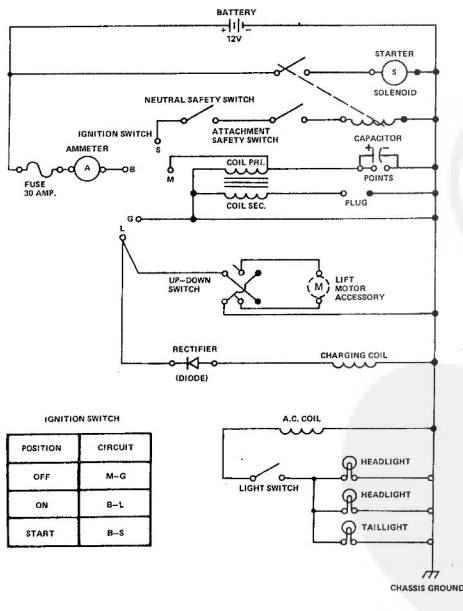
KEY NO.	PART NO.	DESCRIPTION	KEY NO.	PART NO.	DESCRIPTION
1	8899R	Insert Clutch-Brake	37	634A754	Inlet Bracket Weldment
2	8828R	Foot Pedal	38	8636H	Roller
3	8165H	Foot Pedal Bracket	39	5002P	E-Ring
4	9008H	Spring	40	634A888	Support Arm Assembly
5	1113	E-Ring	41	5000P	*Hex Nut 7/16 - 14 UNC
6	9009P	Foot Pedal Shaft	42	10019P	*Lockwasher 7/16
7	1527P	Washer 21/32 x 7/8 x 16 Ga.	43	1544P	Washer 15/32 x 15/16 x 16 Ga.
8	2066P	Corset Pin 1/8 x 3/4	44	6636H	Flat Washer
9	2002R	Brake Rod - Front	45	1520P	Washer 4/8 I.D. x 1 - 1/8 x 11 Ga.
10	8617H	Handlock	46	6479H1	Ball Finger
11	501P	*Hex Nut 3/8 - 16 UNC	47	3262P	*Hex Bolt 7/16 - 14 x 2 - 1/2
12	7823R	Safety Switch Actuator	48	2082R	Valve
14	2201R	Washer 13/32 x 13/16 x 11 Ga.	49	6461H2	Pulley, Transmission
15	1581P	Washer 13/32 x 13/16 x 11 Ga.	50	3002P	*Hex Bolt 1/4 - 20 x 3/4
16	2263R	Spring Washer	51	10020P	Lockwasher 1/4
17	9686R	Parking Brake Yoke	52	3052P	*Fin. Hex Bolt 3/8 - 24 x 1
18	1254	Rod Pin	53	1513P	Washer 13/32 x 13/16 x 16 Ga.
19	634A887	Lock Bracket Assembly	54	548P	*Hex Jam Nut 3/8 - 24 UNF
20	2221R	Spacer	55	5142H	Roll Pin
21	5099H	Spring Washer	58	3022P	*Hex Bolt 3/8 - 16 x 7/8
22	4379H	Handle Grip	57	1004P	Lockwasher 3/8
23	626A341	Parking Lock Handle Assembly	58	3164P	Flat Hd. Machine Screw - Undercut 3/8 - 16 x 3/4
24	7810H	Spring Castorlock Nut 3/8 - 24 UNF	59	111P	St. Neck Carriage Bolt 1/4 - 20 x 5/8
25	626A365	Brake Rod Assembly	60	5003P	*Hex Nut 1/4 - 20 UNC
26	634A167	Brake Rod and Lining	61	3158P	*Hex Bolt 5/16 - 18 x 7/8
27	634A158	Brake Bracket Assembly	62	1889H	Locknut 5/16 - 18 UNC
28	5204H	Lock Nut 1/2 - 20 UNF	63	5246P	Hex Bolt 1/4 - 20 x 5/8 Gt. 5
29	7868H1	Brake Arm Assembly	64	5074H	Hex Nut 1/4 - 28 UNF
30	634A899	Brake Arm Assembly	65	3238P	Hex Hd. Mach. Screw 6 - 32 x 1
31	8688H1	Woodruff Key	66	1567P	Washer 5/32 x 3/8 x 20 Ga.
32	9288R	Clutch Rod	67	5026P	Centerlock Nut 6 - 32 UNC
33	2514P	*Cutler Pin 1/4 x 1	68	1728H	Woodruff Key
34	6488H	Spring			
35	1587P	*Washer 11/32 x 1 - 11/16 x 21 Ga.			
36	4936M	Resistor Spring			
38A	544J	Hose Shield			

*STANDARD HARDWARE-PURCHASE LOCALLY

REPAIR PARTS

16T GARDEN TRACTOR-MODEL NO. T6328AR

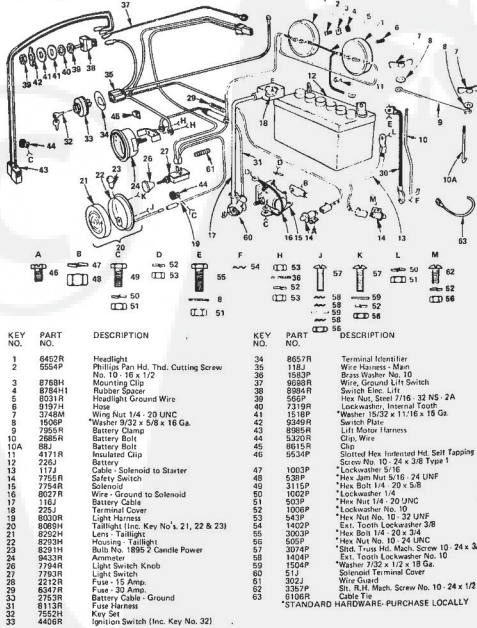
ELECTRICAL



REPAIR PARTS

ROPER 16T GARDEN TRACTOR-MODEL NO. T6328AR

ELECTRICAL

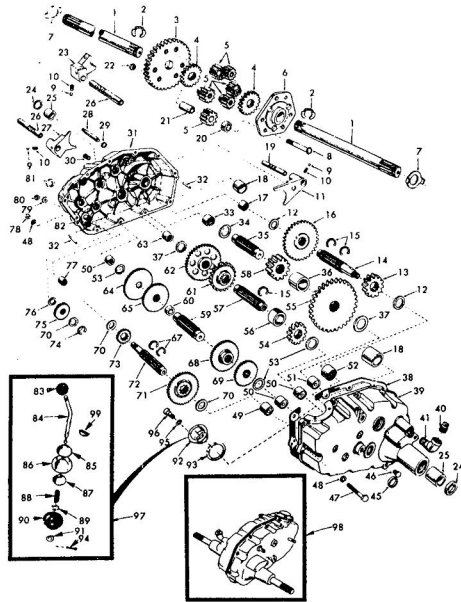


*STANDARD HARDWARE-PURCHASE LOCALLY

REPAIR PARTS

ROPER 16T GARDEN TRACTOR—MODEL NO. T6328AR

TRANSAXLE



REPAIR PARTS

ROPER 16T GARDEN TRACTOR—MODEL NO. T6328AR

TRANSAXLE

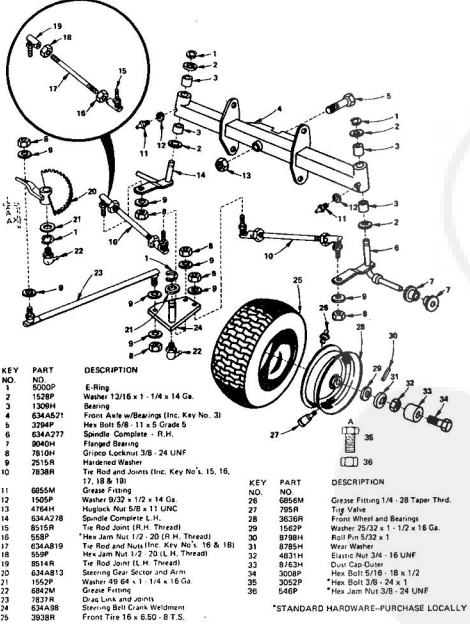
KEY NO.	PART NO.	DESCRIPTION	KEY NO.	PART NO.	DESCRIPTION
1	4197R	Axle Shaft	49	4895H	Needle Bearing
2	5845R	Rotating Ring	50	4227R	Needle Bearing
3	4199R	Final Drive Gear	51	1529R	Needle Bearing
4	4215R	Differential Gear	52	8119R	Needle Bearing
5	4215R	Differential Pinion	53	4220R	Thrust Bearing Race
6	4217R	Differential Carrier	54	4209R	3rd Reduction Pinion - Low
7	6256H	Axle Thrust Washer	55	4213R	4th Reduction Gear
8	3056P	Hex Bolt 3/8 - 24 UNF x 3 - 1/4 (1" Thread Length)	56	4442R	3rd Reduction Pinion Spacer
9	7392M	Steel Ball	57	4185R	2nd Reduction Gear Shaft
10	6272H	Spring Shift Fork Detent	58	4214R	Final Drive Pinion
11	4965R	Shift Fork, High - Low Range	59	4186R	1st Reduction Gear Shaft
12	6262H	Thrust Bearing Race	60	7528R	1st Reduction Shaft Spacer
13	4212R	4th Reduction Pinion	61	4208R	3rd Reduction Pinion - High
14	4156R	3rd Reduction Gear Shaft	62	4207R	2nd Reduction Gear
15	6276H	Snap Ring - Crescent Type	63	7259H	Needle Bearing
16	6234G3	High - Low Range Gears	64	4203R	Low Speed Gear and 2nd Reduction Pinion Cluster
17	8118M	Needle Bearing	65	4204H	Reverse Gear
18	8740H	Stamped Iron Bearing	67	4920H	Snap Ring - Crescent Type
19	8217H	Shift Fork Shaft, High - Low Range	68	4205R	Intermediate Speed Gear
20	4218R	Differential Pinion Spacer	69	4206R	High Speed Gear
21	6270H	Shift Fork - L/R	70	1370H	Thrust Bearing Race
22	7810H	Group Centerlock Nut 3/8 - 24 UNF	71	6230G9	Intermediate and High Speed Gear Shafts
23	4088R	Shift Fork - L/R	72	4183R	Pinions
24	7393R	Oil Seal	73	4201R	Low Speed Pinion
25	5923H	Stamped Iron Bearing	74	6185R	G Ring
26	8219H	Shift Fork Shaft	75	1153R	Reverse Idler Gear
27	6263H	Shift Fork - R/L	76	7529R	Reverse Idler Thrust Washer
28	6215H	Shift Shaft, High - Low Range	77	5529H	Needle Bearing
29	6291H	Oil Seal	78	5047R	Hex Nut 5/16 - 18 UNC
30	5856H	Pressure Relief Valve	79	1167R	Hex Jam Nut 7/16 - 20 UNF
31	6334B5	Gearcase, Reverse Idler Shaft and Bearings - R/L, (Inc. Key No's. 17, 18, 25, 33, 50, 63, 76, 77 and 82)	80	641P	Hex Jam Nut 7/16 - 20 UNF
32	6277H	Oil Seal	81	6209H	Needle Bearing
33	4225R	Needle Bearing	82	7384H	Reverse Idler Shaft
34	7395H	Thrust Bearing Race	83	7876R	Control Knob
35	4180R	4th Reduction Gear Shaft	84	8551R	Gear Shifts Lever - Bent
36	4208R	3rd Reduction Gear Spacer	85	9019R	Gear Shifts Cap
37	7395H	Thrust Bearing Race	86	6334B5	Gear Shifts Ball Cover and Pin
38	6275H	Gearcase and Bearings - L.H. (Inc. Key No's. 18, 25, 49, 50 (2), 51 and 52)	87	8799H	Shifts Low Guide Ball - Keyed
39	6334B4	Gearcase and Bearings - L.H. (Inc. Key No's. 18, 25, 49, 50 (2), 51 and 52)	88	4924H	Spring
40	4002P	Pipe Plug 1/2 - 18 N.P.T.	89	1823P	Washer 1/32 x 5/16 x 16 Ga.
41	4003P	Street Elbow 90° 1/2 - 1/4 N.P.T.	90	8105R	Shift Mechanism Seal
42	6271H	Oil Seal	91	1609P	Washer 8/16 x 16/16 x 11 Ga.
43	4001P	Pipe Plug 1/4 - 18 N.P.T.	92	787	Shift Gear
44	3087P	Hex Bolt 5/16 - 18 x 1 - 1/2 Grade 5	93	6274H	Shift Ball Cover Gasket
45	1007P	Lockwasher 5/16 Extra Heavy	94	7305P	Control 1/8 x 3/4
			95	1003P	Lockwasher 5/16
			96	6334B2	Hex Bolt 5/16 - 18 UNC x 7/8
			97	6334B2	Gear Shifts Lever Ass'y.
			98	6334B3	Transaxle Assembly Lens Brake Drum
			99	7835M	Shift Lever Woodruff Key 1/8 x 1/2

*STANDARD HARDWARE—PURCHASE LOCALLY

REPAIR PARTS

ROPER 16T GARDEN TRACTOR—MODEL NO. T6328AR

FRONT AXLE

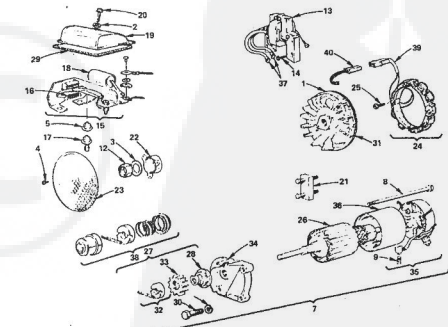


REPAIR PARTS

16T GARDEN TRACTOR—MODEL NO. T6328AR
BRIGGS AND STRATTON ENGINE—MODEL NO. 401417, TYPE NO. 0127-01

STARTER MOTOR GROUP

ALL ENGINE PARTS MUST BE PURCHASED THROUGH AND SERVICE PERFORMED BY YOUR LOCAL BRIGGS AND STRATTON DEALER.



KEY NO.	PART NO.	DESCRIPTION	KEY NO.	PART NO.	DESCRIPTION
1	392356	Flywheel and Ring	21	192203	Puller - Flywheel (Optional Equip.)
2	211037	Washer	22	229274	Cup - Screen Mounting
3	222211	Washer - Spring	23	229873	Screen Flush Rotating
4	92635	Screw - Set	24	383474	Starter - Alternator
5	280222	Self - Plunger	25	93821	Screw - Set
6	96366	Lockwasher	26	252737	Armature Assembly
7	350177	Motor - Starting	27	381481	Drive Ass'y. - Starter
8	93687	Thru Bolt	28	381135	Clutch Ass'y. - Starter
9	381705	Brush Set	29	271039	Gasket - Breaker Box
10	230674	Nut - Hex	30	91182	Screw - Hex 5/16 - 18 x 1 - 1/2
11	383329	Armature Assembly	31	281882	Gear - Flywheel Ring (Inc. Mfg. Parts)
12	93381	Screw - Armature Mtg. Sem	32	381482	Retainer and Pin Assembly
13	283503	Washer - Insulation	33	280104	Gear - Starter
14	26018	Spring - Breaker Arm	34	390209	Drive End Cap
15	385503	Breaker - Breaker	35	385010	Housing Assembly
16	392912	Condenser	36	392744	Housing Assembly
17	212250	Breaker Point	37	392746	Terminal - Ignition Cable
18	212250	Breaker Point	38	392554	Kill - Pinion Spring
19	32854	Screw - Set	39	392466	Disc and Connector Ass'y.
20	32854	Screw - Set	40	392382	Alternator-Harness Ass'y.

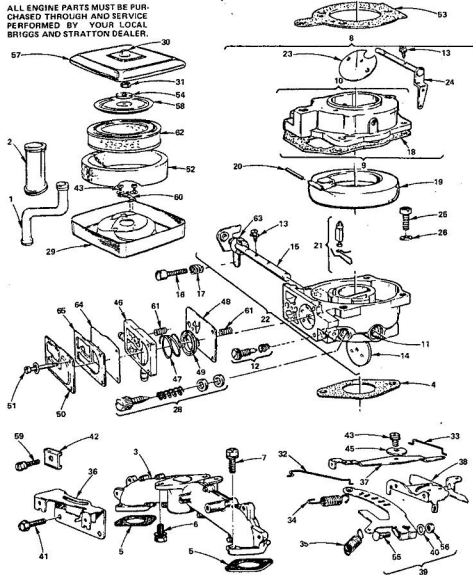
*STANDARD HARDWARE—PURCHASE LOCALLY

REPAIR PARTS

16T GARDEN TRACTOR-MODEL NO. T6328AR
BRIGGS AND STRATTON ENGINE-MODEL NO. 401417, TYPE NO. 0127-01

AIR CLEANER-CARBURETOR GROUP

ALL ENGINE PARTS MUST BE PURCHASED THROUGH AND SERVICE PERFORMED BY YOUR LOCAL BRIGGS AND STRATTON DEALER.



REPAIR PARTS

16T GARDEN TRACTOR-MODEL NO. T6328AR
BRIGGS AND STRATTON ENGINE-MODEL NO. 401417, TYPE NO. 0127-01

AIR CLEANER-CARBURETOR GROUP

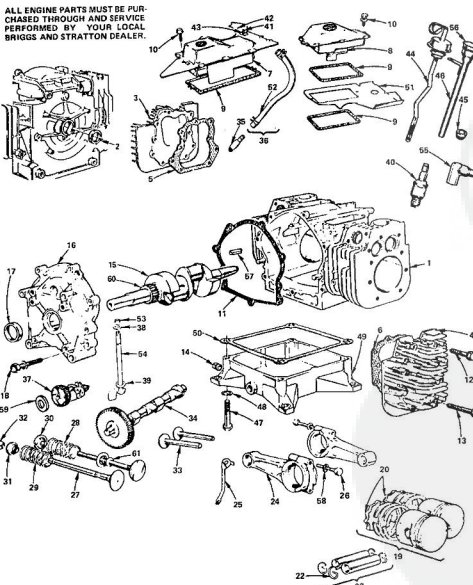
KEY NO.	PART NO.	DESCRIPTION	KEY NO.	PART NO.	DESCRIPTION
1	280165	Tube - Breather	32	261444	Link - Governor
2	280198	Tube - Intake	33	261460	Link - Speed Control
3	302070	Manifold Asy. - Intake	34	261466	Spring - Governor
4	271815	*Gasket - Carb. Mtg.	35	261487	Spring - Governed Mfg.
5	270854	*Gasket - Intake Manifold Mtg.	36	222007	Bracket - Speed Control
6	63415	Screw - Carb. Mtg. Sem	37	222828	Leve. - Speed Control
7	92206	Screw - Intake Manifold Mtg. Sem	38	392033	Plate Asy. - Governor Control
8	362806	Carburetor Asy. V.	39	392943	Lever Asy. - Governor
9	362897	Body Asy. - Upper Carb.	40	222893	Washer
10	362893	Body - Upper Carb.	41	63868	Screw - Sem
11	23108	Bushing - Throttle Shaft	42	222535	Clamp - Casing
12	392961	*Valve Asy. - Carb. Idle	43	63866	Screw - Sem
13	93469	Screw - Throttle and Choke Valve Mtg. Sem	45	231172	Bushing - Speed Control Body - Pump
14	222433	Valve - Throttle	47	261395	*Spring - Pump
15	362872	Shaft and Lever - Throttle	48	222619	Cover - Diaphragm
16	91920	Screw - Mech. Fil. Hd. 8 - 32 x 5/8	49	221377	*Cap - Spring
17	26187	Spring - Throttle Adj.	50	222619	Cover - Diaphragm
18	271008	*Gasket - Carburetor Body	51	63829	Screw - Diaphragm Cover
19	298514	Floet - Carburetor	52	270998	Element - Air Cleaner
20	230990	*Pin - Floet Hinge	53	271014	Gasket - Air Cleaner
21	299098	*Valve - Fuel Inlet	54	271180	Washer
22	362886	*Pin - Floet Hinge	55	63853	Ball - Governor Lever
23	222010	Valve - Choke	56	92278	Screw - Air Cleaner
24	922813	Screw - Machine, Fil. Hd. 10/32 x 5/8	57	222763	Cover - Air Cleaner
25	90764	Screw - Machine, Fil. Hd. 10/32 x 5/8	58	222835	Cartridge Plate - Air Cleaner
26	92290	Washer - Lock 10 x 1/16 x 3/64	59	392943	Mounting Strap Asy. - Air Cleaner
28	392125	Jet - Main	61	261358	*Spring
29	62276	Jet - Main	62	392942	Cartridge - Air Cleaner
30	212297	Knob - Air Cleaner	63	271013	*Washer - Choke Shaft
31	53715	Nut - Hex	64	270969	*Diaphragm - Damaging
			65	271025	*Gasket - Carb. Pump
			66	392728	Gasket Set (Includes Parts Marked *)
			67	363301	Carburetor Overhaul Kit (Includes Parts Marked *)

REPAIR PARTS

16T GARDEN TRACTOR-MODEL NO. T6328AR
BRIGGS AND STRATTON ENGINE-MODEL NO. 401417, TYPE NO. 0127-01

CYLINDER, CRANKSHAFT AND ENGINE BASE GROUP

ALL ENGINE PARTS MUST BE PURCHASED THROUGH AND SERVICE PERFORMED BY YOUR LOCAL BRIGGS AND STRATTON DEALER.



REPAIR PARTS

16T GARDEN TRACTOR-MODEL NO. T6328AR
BRIGGS AND STRATTON ENGINE-MODEL NO. 401417, TYPE NO. 0127-01

CYLINDER, CRANKSHAFT AND ENGINE BASE GROUP

KEY NO.	PART NO.	DESCRIPTION	KEY NO.	PART NO.	DESCRIPTION
1	362274	Cylinder Assembly	28	92909	Screw - Connecting Rod
2	391096	Seal - Oil	27	390420	Valve - Exhaust
3	21219	Head - Cylinder No. 1	29	65906	Spring - Intake Valve
4	212180	Head - Cylinder No. 2	28	26828	Spring - Exhaust Valve
5	270986	*Gasket - Cylinder Head No. 1	30	221696	Retainer - Intake Valve
6	270983	*Gasket - Cylinder Head No. 2	31	262700	Retainer - Exhaust Valve
7	363243	Breather Assembly No. 1	32	93630	Retainer - Exhaust Valve Retocol
8	363153	Breather Assembly No. 2	33	261368	Tappet - Valve
9	27863	*Gasket - Valve Cover	34	212173	Gear - Cam
10	65395	Screw - Sem	35	67216	Elbow - Connector
11	270982	*Gasket - Crankcase Cover 1/64" Thick	36	393244	Pipe - Fuel
11	271146	*Gasket - Crankcase Cover 000" Thick	37	392773	Gear - Governor
12	92111	Jet - Main Assembly	38	220663	Washer - Gov. Cam (outside)
13	62110	Screw - Cylinder Head (2 - 5/16" Long)	39	93857	Washer - Gov. Cam (inside)
14	91084	Plug - Oil Drain	40	392685	Plug - Seal (Resistor)
15	362308	Crankshaft	41	90576	Nut - Hex 8 - 32
16	362372	Cover Assembly - Crankcase	42	231174	Terminal
17	261675	Seal - Oil	43	280180	Grommet - Insulator
18	93847	Screw - Crankcase Cover Mtg. Sem	44	392781	Cap and Dipstick - Oil Filter
19	363311	Piston Assembly - Standard	45	68828	Seal - Filter Tube
19	363343	Piston Assembly - .010" O.S.	46	392782	Tube - Oil Filter
19	363364	Piston Assembly - .020" O.S.	47	93783	Screw - Hex Hd.
19	363345	Piston Assembly - .030" O.S.	48	92206	Washer
20	363277	Ring Set - Piston - Standard	49	393412	Base - Engine
20	363300	Ring Set - Piston - .010" O.S.	50	270981	*Gasket - Engine Base
20	363341	Ring Set - Piston - .020" O.S.	51	222700	Ball - Air
20	363362	Ring Set - Piston - .030" O.S.	52	93953	Clamp - Fuel Pipe
22	269924	Lock - Piston Pin	53	93851	Retainer - E-Ring
23	229591	Pin Assembly - Piston - Standard	54	393309	Crank - Governor
23	361296	Pin Assembly - Piston - .005" O.S.	55	69536	Elbow - Spark Plug
24	362370	Rod Assembly - Connecting	56	270933	Seal - Oil Filter Cap
25	222480	Dipper - Connecting Rod	57	61160	Key - Flywheel
			58	220863	Washer
			59	222773	Washer - Thrust
			60	261363	Gear - Timing
			61	393279	Seal Asy. and Retainer

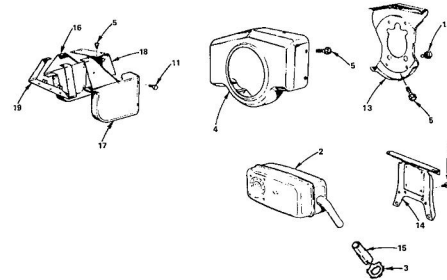
*Inc. in Gasket Set - 393278

REPAIR PARTS

16T GARDEN TRACTOR—MODEL NO. T6328AR
BRIGGS AND STRATTON ENGINE—MODEL NO. 401417, TYPE NO. 0127-01

MUFFLER, AIR GUIDE AND HOUSING GROUP

ALL ENGINE PARTS MUST BE PURCHASED THROUGH AND SERVICE PERFORMED BY YOUR LOCAL BRIGGS AND STRATTON DEALER.



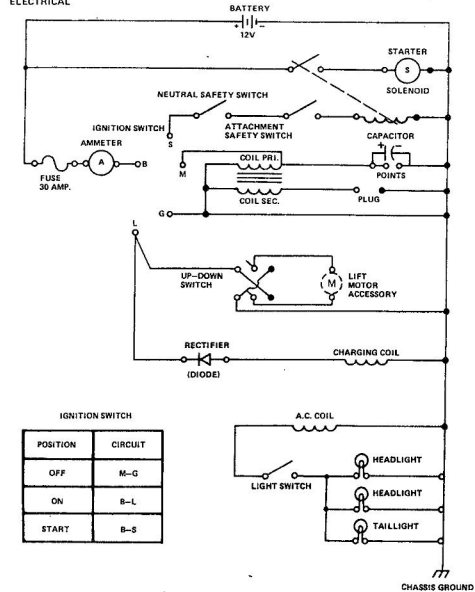
KEY NO.	PART NO.	DESCRIPTION	KEY NO.	PART NO.	DESCRIPTION
1	93843	Screw - Semi	13	382934	Back Plate Air/V
2	362999	Muffler - Exhaust	14	222779	Bracket - Muffler
3	91242	Locknut - Muffler	15	221462	Connector - Muffler
4	382681	Housing - Blower	16	382891	Cover Assy. - Air
5	93195	Screw - Semi	17	382892	Cover Assy. - Air
11	93876	Screw - Semi	18	382925	Rear Insert Assy.
12	93777	Screw - Hex Hd. (Back Plate to Cylinder)	19	222775	Frame - Air Guide

OPTIONAL EQUIPMENT
382154 Spark Arrestor Assembly
222673 Deflector (Side Outlet)
93705 Screw (4 Required)

REPAIR PARTS

16T GARDEN TRACTOR—MODEL NO. T6328BR

ELECTRICAL



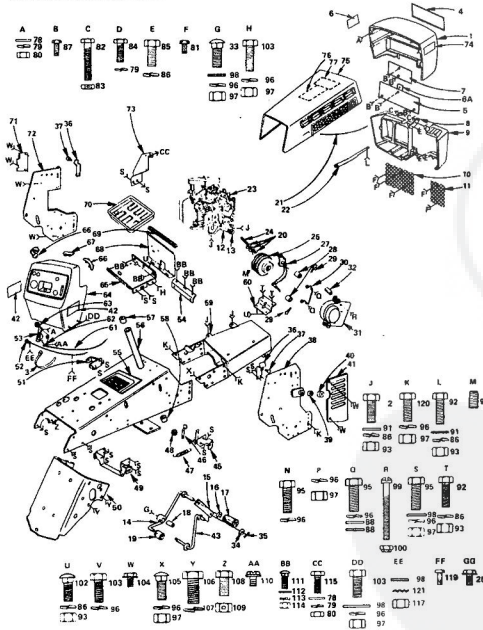
WIRING CLIPS AND CABLE TIES

If Clips or Ties were removed for servicing of unit, they should be replaced to properly secure your wiring.

REPAIR PARTS

ROPER 16T GARDEN TRACTOR—MODEL NO. T6328BR

MAIN FRAME, DASH AND GRILL



REPAIR PARTS

ROPER 16T GARDEN TRACTOR—MODEL NO. T6328BR

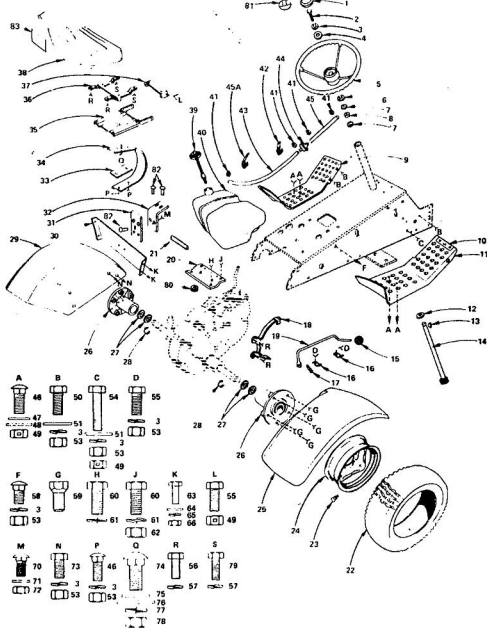
MAIN FRAME, DASH AND GRILL

KEY NO.	PART NO.	DESCRIPTION	KEY NO.	PART NO.	DESCRIPTION
1	9111	Grill - Upper	68	1071	Battery Heat Shield
2	302329	Tie - Wire	69	7874R	Hood Seal
3	0106R	Grill - Lower	70	8855R	Battery Tray
4	2451	Grill - Grill	71	381	Cover - L.H.
5	291J	Grill Panel - Lower	72	113J	Bracket - Battery Support - L.H.
6	1650A	Grill - Grill	73	1181J	Bracket - Receiver
6A	8768H	Mounting Clip	74	1591J	Decal
7	285J	Grill Panel - Upper	75	634A027	Hood Assy.
8	888J	Grill - Lower	76	8025R	Decal - Instruction
9	7858R	Grill - Grill	77	291J	Decal - Wiring
10	2874R	Grill - Grill	78	1006P	*Washer 9/32 x 5/8 x 16 Ga.
11	2878R	Grill - Grill	79	1002P	*Lockwasher 1/8"
12	4016P	Pipe Nipple 3/8 - 18 N.P.T. x 4 - 1/2"	80	503P	*Hex Nut 1/4 - 20 UNC
13	4016P	Pipe Cap 3/8 - 18 N.P.T.	81	5001P	*Phillips Pan Hd. Tnd. Self Tap 10 - 24 x 3/8 Type T
14	634A011	Link	82	3267P	*Hex Nut 1/4 - 20 x 3/4
15	981	Lock	83	1805H	*Hex Bolt 5/16 - 18 x 3/4
16	92J	Push-On Nut	84	3010P	*Lockwasher 5/16"
17	93J	Rubber Pad	85	3005P	*Phillips Pan Hd. Tnd. Self Tap 10 - 16 Hi-Ln Thrd x 1/2 Blank Point
18	91J	Pinot Spacer	86	3006P	*Hex Bolt 1/2 - 20 x 3/4
19	285J	Grill Panel	87	1002P	*Lockwasher 5/16"
20	1696P	Washer 1 - 1/16 x 2 x .140	88	5554P	*Hex Forged Socket Helms. Set Screw CP 5/16 - 18 - 1/2 - Nylok
21	8668R	Grill Bracket	89	1867P	*Washer 1/32 x 13/16 x 1 1/4
22	1011J	Grill Bracket	90	1637P	*Hex Bolt 1/2 - 18 x 1 1/4
23	401417	Engine, Briggs and Stratton 16 H.P.	91	3011P	*Hex Bolt 5/16 - 18 x 1"
24	8396E	St. Key 1/4 x 2	92	3011P	*Hex Bolt 5/16 - 18 x 1"
25	634A04	New Washer Rd. Thrd. Cutting Screw 1/4 - 20 x 3/4 Type T	93	894P	*Hex Nut 5/16 - 18 UNC
26	634A043	Engine Pulley (Inc. 2 ea. Key No. 94)	94	4546P	*Hex Forged Socket Helms. Set Screw CP 5/16 - 18 - 1/2 - Nylok
27	634A032	Spacer	95	3023P	*Hex Bolt 3/8 - 16 x 1"
28	6764H1	Ball Guide Weldment	96	1004P	*Lockwasher 3/8"
29	4929A	Retainer Spring	97	601P	*Hex Nut 3/8 - 18 UNC
30	9611H	Ball Retainer	98	1557P	*Washer 1/32 x 13/16 x 1 1/4
31	634A050	Ball Cover Weldment	99	3154P	St. Fl. Hd. Machine Screw 1/4 - 20 x 2 1/4
32	8228H	Split Spacer	100	347H	Hi-Lock Nut 1/4 - 20 UNC
33	1646P	St. Neck Carriage Bolt 3/8 - 16 x 2 - 1/4	101	87	*Carriage Bolt 5/16 - 18 x 3/4
34	3546P	Washer 7/32 x 1 x 16 Ga.	102	3025P	*Hex Bolt 3/8 - 16 x 1 - 1/4
35	634A050	Cap - Pin 1/8 x 1	103	5557P	*Hex Washer Hd. Thrd. Cutting Screw 1/4 - 20 x 1/2 Type T
36	8457R	Hood Latch	104	5557P	*Hex Neck Carriage Bolt - Short Shoulder 3/8 - 16 x 1 1/4 Gr. 5
37	634A053	Battery Support Bracket (Inc. Key 39)	105	61P	*Hex Bolt 7/16 - 14 x 1 1/4
38	7756R	Bearing	106	3026P	*Lockwasher 7/16"
39	8068R	Cap	107	1001P	*Hex Bolt 3/8 - 16 x 3/4
40	2725R	Cover - R.H.	108	3211P	*Locknut 3/8 - 18 UNC
41	286J	Washer 1/32 x 13/16 x 1 1/4	109	5284H	Hex St. Hd. Machine Screw w/Gms. Int. Tooth Lockwasher 10 - 32 x 1/4
42	634A052	Washer 7/32 x 7/16 x 18 Ga.	110	6055P	*Hex Nut 3/8 - 16 x 1 1/4
43	634A052	Washer 7/32 x 7/16 x 18 Ga.	111	53P	*Washer 7/32 x 7/16 x 18 Ga.
44	7944R	Ball Lockwasher R.H. - Front	112	1535P	*Lockwasher 10
45	7944R	Ball Lockwasher L.H. - Front	113	1506P	*Lockwasher 10
46	7944R	Ball Lockwasher R.H. - Rear	114	509P	*Hex Nut 10 - 24 UNC
47	7944R	Ball Lockwasher L.H. - Rear	115	3114P	*Hex Bolt 1/4 - 20 x 1/2
48	7910H	Return Spring	116	3027P	*Hex Bolt 3/8 - 16 x 1 - 1/2
49	634A054	Locknut 3/8 - 24 UNF	117	1559P	*Hex Nut 3/8 - 24 UNF
50	634A054	Locknut 3/8 - 24 UNF	118	2614P	*Center Pin 1/4 x 1"
51	634A055	Hanger Weldment - Rear	119	5522P	*Sintered Pin Hd. Self Tap Screw No. 8 x 3/4 Type AB
52	7151H	Choke Control	120	3137P	*Hex Bolt 3/8 - 16 x 1 - 1/4 Gr. 5
53	1571J	Front Control (Inc. Key 61, 62 & 63)	121	1402P	Ext. Tooth Lockwasher 3/8"
54	67J	Lock			
55	928J	Decal - Oil Pattern			
56	634A058	Chassis Assy. (Inc. Key 57 & 58)			
57	9468H	Bearing			
58	4766H	Bearing			
59	634A056	Ball Mount Assy.			
60	954	Grill Spacer			
61	1637100	Throttle R. Cable			
62	8204R	Clamp			
63	1637100	Throttle Control Knob			
64	634A059	Dashboard (Inc. Key No's. 66 and 67)			
65	609	Battery Support			
66	1998R	Clip - Dashboard			
67	8571R	Clip - Dashboard, Center			

*STANDARD HARDWARE—PURCHASE LOCALLY

REPAIR PARTS

ROPER 16T GARDEN TRACTOR-MODEL NO. T6328BR
STEERING AND FINAL DRIVE



REPAIR PARTS

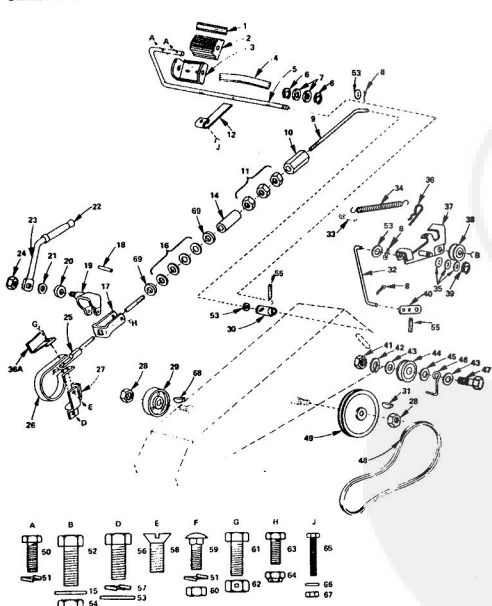
ROPER 16T GARDEN TRACTOR-MODEL NO. T6328BR
STEERING AND FINAL DRIVE

KEY NO.	PART NO.	DESCRIPTION	KEY NO.	PART NO.	DESCRIPTION
1	9716R	Steering Wheel Insert	45	G1P	Sp. Nk. Sht. Sht. Car. Bolt 3/8 x 1 1/4
2	3022P	*Hex Bolt 3/8 x 16 x 1	47	1613P	Washer 13/32 x 13/16 x 16 Ga.
3	1004P	Lockwasher 3/8	48	1519P	Washer 15/32 x 1 x 12 Ga.
4	1555P	Washer 7/16 x 1 x 10 Ga.	49	5201H	Locknut 3/8 UNC
5	3064R	Steering Wheel	50	3022P	*Hex Bolt 3/8 x 16 x 1
6	5001P	E-Ring	51	1557P	Washer 13/32 x 13/16 x 11 Ga.
7	9007H	Cap	53	501P	*Hex Nut 3/8 16 UNC
8	5948H	Rubber Bushing	54	3022P	*Hex Bolt 3/8 x 16 x 1
9	7903R	Foot Rest - L.H.	55	3022P	*Hex Bolt 3/8 x 16 x 7/8
10	8900R	Decal (Front Clutch)	56	2010P	*Hex Bolt 5/16 x 18 x 3/4
11	7904R	Foot Rest - R.H.	57	1003P	*Lockwasher 5/16
12	1552P	Washer 5/8 x 1 x 14 x 16 Ga.	58	18P	*Sp. Neck Carriage Bolt 3/8 x 16 x 3/4
13	9858M1	Woodruff Key 3/16 x 5/8	59	1304H	*Hex Bolt 7/16 x 14 x 1
14	6344S2	Steering Shaft and Pinion Control Knop	60	3004P	*Hex Bolt 7/16 x 14 UNC
15	6344H	Shift Rod Bracket	61	1001P	*Lockwasher 7/16
16	6442H	Shift Rod Guide	62	500P	*Hex Nut 7/16 14 UNC
17	2011P	*Corner Pin 3/16 x 1	63	3003P	*Hex Bolt 1/4 x 20 x 3/4
18	63442A	Belt Guide	64	1548P	*Washer 9/32 x 5/8 x 16 Ga.
19	8074R	Transmission Bracket	65	1002P	*Lockwasher 1/2
20	9594R	Rear Tire 23 x 9.50 - 12	66	503P	*Hex Nut 1/4 20 UNC
21	8074R	Seat Stop	67	8P	*Short Shoulder Sp. Neck Carriage Bolt 5/16 x 18 x 3/4
22	3838R	Rear Wheel 12 x 7 JA	68	1513P	Washer 11/32 x 11/16 x 16 Ga.
23	828R	Fender - R.H.	69	1602H	Lock Nut 5/16 18 UNC
24	828R	Fender - L.H.	70	3021P	*Hex Bolt 3/8 x 16 x 3/4
25	634462	Rear Wheel Hub and Bushing	71	52P	Carriage Bolt 1/2 x 13 x 1 - 14 Ga. 5
26	7583R	Asse Thrust Washer	72	1518P	Washer 24 x 1 - 1/8 x 11 Ga.
27	9427R	Fender - L.H.	73	1560P	*Lockwasher 1/2
28	3056R	Bracket - Tail Light	74	5021H	*Hex Nut 1/2 13 UNC
29	9427R	Fender - R.H.	75	3158P	*Hex Nut 1/2 13 UNC
30	175J	Seat Stop Bracket	76	9547H	Rubber Grommet
31	175J	Seat Stop Bracket	77	3158P	*Hex Nut 1/2 13 UNC
32	175J	Seat Stop Bracket	78	9547H	Rubber Grommet
33	8141H	Seat Spring Reinforcement	79	3158P	*Hex Nut 1/2 13 UNC
34	9888R	Bracket - Seat Feet	80	9547H	Rubber Grommet
35	634475	Seat Plate Weldment	81	235J	Steering Wheel Decal
36	634452	Seat Bracket Weldment	82	174J	Rubber Bumper
37	7897R	Bracket - Seat Feet	83	245J	Decal
38	9744R	Seat	84	1624J	Warranty Fact Tag
39	1229J	Fuel Gauge	85	1616J	Owner's Manual
40	7885R	Fuel Tank			
41	8099R	Fuel Line Clump			
42	2751R	Clip - Fuel Line			
43	8373R	Fuel Line (Clump)			
44	206J	In-Line Filter			
45	35J	Fuel Line			
46	35J	Fuel Line			
47	9237R	Clip - Fuel Line			

*STANDARD HARDWARE - PURCHASE LOCALLY

REPAIR PARTS

ROPER 16T GARDEN TRACTOR-MODEL NO. T6328BR
BRAKE AND CLUTCH



REPAIR PARTS

ROPER 16T GARDEN TRACTOR-MODEL NO. T6328BR
BRAKE AND CLUTCH

KEY NO.	PART NO.	DESCRIPTION	KEY NO.	PART NO.	DESCRIPTION
1	8899R	Insert Clutch-Brake	37	6344764	Inter-Bracket Weldment
2	882R	Foot Pedal	38	6636H	U-bolts
3	9175H	Foot Pedal Bracket	39	3022P	E-Ring
4	9003H	Spring	40	634488B	Steering Arm Assembly
5	111J	Foot Pedal Shaft	41	500P	*Hex Nut 7/16 14 UNC
6	5001P	E-Ring	42	1001P	*Lockwasher 7/16
7	1529P	Washer 21/32 x 7/8 x 16 Ga.	43	1544P	*Washer 15/32 x 15/16 x 18 Ga.
8	2905P	Corner Pin 1/8 x 3/4	44	6636H	U-bolts
9	2202R	Brake Rod - Front	45	1520P	Washer .469 I.D. x 1 - 1/8 x 11 Ga.
10	6511H	*Hex Nut 3/8 - 16 UNC	46	5429H	Belt Fringe
11	501P	*Hex Nut 3/8 - 16 UNC	47	3202P	*Hex Bolt 7/16 - 14 x 2 - 1/2
12	8232R	Safety Shift Actuator	48	2662R	V-Belt
13	1557P	Washer 13/32 x 13/16 x 11 Ga.	49	6461H	Pulley, Transmission
14	2201R	Bushing	50	3003P	*Hex Bolt 1/4 - 20 x 3/4
15	1557P	Washer 13/32 x 13/16 x 11 Ga.	51	1002P	*Lockwasher 1/2
16	2263R	Spring Washer	52	3052P	*Fin. Hex Bolt 3/8 - 24 x 1
17	9886R	Parking Brake Yoke	53	1513P	*Washer 13/32 x 13/16 x 16 Ga.
18	1704H	Roll Pin	54	548P	*Hex Jam Nut 3/8 24 UNF
19	634488T	Lock Bracket Assembly	55	1429H	Roll Pin
20	2221R	Sprocket	56	3022P	*Hex Bolt 3/8 16 x 7/8
21	5999H	Spring Washer	57	1004P	*Lockwasher 3/8
22	4376H	Handle Grip	58	3164P	Fast. Hex. Machine Screw - Undercut 3/8 x 16 x 3/4
23	6264241	Parking Lock Handle Assembly	59	111P	Sp. Neck Carriage Bolt 1/4 20 x 5/8
24	7810H	Clutch Lock Nut 3/8 24 UNF	60	503P	*Hex Nut 1/4 20 UNC
25	6764365	Brake Rod Assembly	61	3153P	*Hex Bolt 5/16 - 18 x 7/8
26	823A211	Brake Band Assembly	62	1685H	Locknut 5/16 18 UNC
27	6344168	Brake Bracket Assembly	63	3246P	*Hex Bolt 1/4 28 x 5/8 G. 5
28	9204H	Lock Nut 1/2 - 20 UNF	64	9011H	*Hex Nut 1/4 28 UNF
29	114J	Roll Pin	65	3226P	Hex Nut. Wash. Screw 6 - 32 x 1
30	6344899	Brake Arm Assembly	66	1567P	Washer 5/32 x 3/8 x 20 Ga.
31	8868M1	Woodruff Key	67	2228M	Woodruff Key
32	9288R	Clutch Rod	68	1602P	Washer 13/32 x 5/8 x 11 Ga.
33	1514P	*Corner Pin 1/4 x 1			
34	6486H	Spring			
35	1167P	*Washer 1/32 x 1 - 1/16 x 21 Ga.			
36	4933M	Retainer Spring			
36A	544J	Hose Shield			

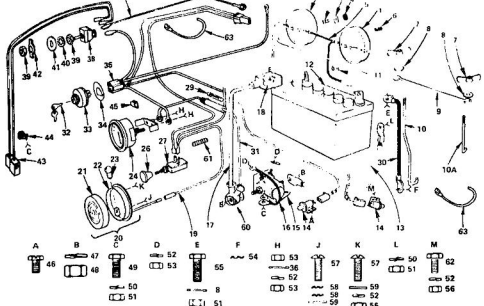
*STANDARD HARDWARE - PURCHASE LOCALLY

Click Here to upgrade to Unlimited Pages and Expanded Features

REPAIR PARTS

ROPER 16T GARDEN TRACTOR-MODEL NO. T6328BR

ELECTRICAL

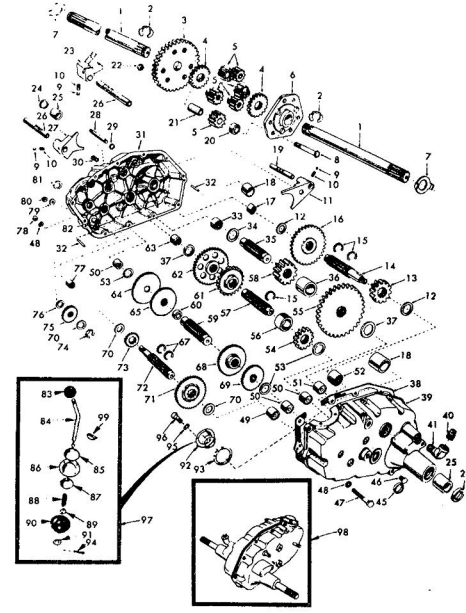


KEY NO.	PART NO.	DESCRIPTION	KEY NO.	PART NO.	DESCRIPTION	
1	6452R	Headlight	34	8657R	Terminal Identifier	
2	5565P	Phillips Flat Hd. Thd. Cutting Screw No. 10 - 16 x 1/2	35	118J	Wire Harness - Main	
3	8788H	Rubber Spacer	36	1583R	Brake Washer No. 10	
4	8031R	Headlight Ground Wire	37	8984R	Switch Elec. Lift	
5	8197H	Hose	38	5565P	Hex Jam Nut 5/16 - 24 UNF	
6	5748M	Wing Nut 1/4 - 20 UNC	39	40	7319R	Lockwasher, Internal Foot
7	1506P	Washer 9/32 x 5/8 x 16 Ga.	40	1518P	Washer 5/32 x 1 1/16 x 16 Ga.	
8	7952R	Battery Clamp	41	8034R	Switch Plate	
9	2088R	Battery Bolt	42	5320R	Lift Motor Harness	
10A	18L	Insulated Clip	43	8615R	Clip, Wire	
11	4171R	Battery	44	5524P	Slotted Hex Undercut Self Tapping Screw No. 10 - 24 x 3/8 True 1	
12	225J	Cable - Solenoid to Starter	45	1003P	Lockwasher 5/16	
13	117J	Safety Switch	46	528P	Hex Nut 1/4 - 20 x 1/2 UNF	
14	7752R	Solenoid	47	3115P	Hex Bolt 1/4 - 20 x 5/8	
15	7754R	Solenoid	48	1002P	Lockwasher, 1/4	
16	8027R	Wire - Ground to Solenoid	49	503P	Hex Nut 1/4 - 20 UNC	
17	116J	Battery Cable	50	1005P	Hex Nut No. 10 - 32 UNF	
18	226J	Terminal Cover	51	1422P	Ext. Foot Lockwasher 3/8	
19	8030R	Light Harness	52	3003P	Hex Nut No. 10 - 24 UNF	
20	8088H	Tailight (Inc. Key No's. 21, 22 & 23)	53	3074P	Ext. Foot Lockwasher No. 10	
21	8232H	Lens - Tailight	54	1504P	Slotted Terminal Cover	
22	8233H	Housing - Tailight	55	1504P	Wire Guard	
23	8231H	Bulb No. 1655 - Candle Power	56	3218P	Hex Bolt 5/16 - 18 UNC x 7/8	
24	8423R	Adapter	57	8106P	Cable Tie	
25	7744R	Light Switch Knob	58	8106P	STANDARD HARDWARE - PURCHASE LOCALLY	
26	7752R	Light Switch				
27	8047R	Fuse - 15 Amp				
28	8047R	Fuse - 20 Amp				
29	7753R	Battery Cable - Ground				
30	8113R	Fuse Harness				
31	7852H	Key, Sr.				
32	4468R	Ignition Switch (Inc. Key No. 32)				

REPAIR PARTS

ROPER 16T GARDEN TRACTOR-MODEL NO. T6328BR

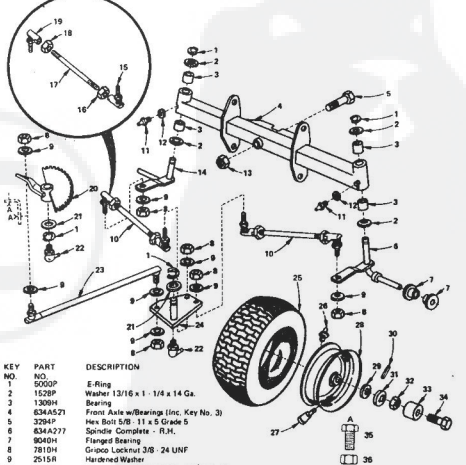
TRANSAXLE



REPAIR PARTS

ROPER 16T GARDEN TRACTOR-MODEL NO. T6328BR

FRONT AXLE



REPAIR PARTS

ROPER 16T GARDEN TRACTOR-MODEL NO. T6328BR

TRANSAXLE

KEY NO.	PART NO.	DESCRIPTION	KEY NO.	PART NO.	DESCRIPTION
1	4197R	Axle Shaft	40	4895H	Needle Bearing
2	5848R	Retaining Ring	41	4222R	Needle Bearing
3	4198R	Final Drive Gear	42	1502R	Needle Bearing
4	4218R	Differential Gear	52	8118R	Needle Bearing
5	4215R	Differential Pinion	53	4220R	Thrust Bearing Race
6	4217R	Differential Carrier	40	4209R	3rd Reduction Pinion - Low
7	6256H	Axle Thrust Washer	41	4213R	4th Reduction Gear
8	3056P	Hex Bolt 3/8 - 24 UNF x 3 - 1/4 (17" Thread Length)	58	4442R	3rd Reduction Pinion Spacer
9	7892M	Steel Ball	59	4158R	2nd Reduction Gear Shaft
10	6272H	Spring Shifter Fork Detent	58	4214R	Final Drive Pinion
11	4885R	Shift Fork, High - Low Range	41	4184R	1st Reduction Gear Shaft
12	6286H	Thrust Bearing Race	61	4205H	3rd Reduction Pinion - High
13	4212R	4th Reduction Pinion	62	4207H	2nd Reduction Gear
14	4198R	3rd Reduction Gear Shaft	63	7309H	Needle Bearing
15	6276H	Snap Ring - Crescent Type	64	4203R	Low Speed Gear and 2nd Reduction Pinion Cluster
16	633A63	High - Low Range Gears	65	4204R	Reverse Gear
17	8118M	Needle Bearing	67	4028H	Snap Ring - Crescent Type Intermediate Speed Gear
18	8740H	Sintered Iron Bearing	68	4209R	High Speed Gear
19	6271H	Shift Fork Shaft, High - Low Range	69	4208R	Thrust Bearing Race
20	4218R	Differential Pinion Spacer	70	1370H	Intermediate and High Speed Cluster Pinion
21	6261H	Differential Pinion Quabing	71	633A66	Input Shaft
22	7810H	Groove Centerlock Nut 3/8 - 24 UNF	72	4103R	Low Speed Pinion
23	4888R	Shift Fork - L.H.	73	5201R	E-Ring
24	7362R	Oil Seal	74	5001P	Reverse Idler Gear
25	9821H	Sintered Iron Bearing	75	1153R	Reverse Idler Thrust Washer
26	6216H	Shift Fork Shaft	76	7524P	Needle Bearing
27	6282H	Shift Fork - R.H.	77	5094H	Sealing Washer
28	6218H	Shift Shaft, High - Low Range	78	1167R	Hex Jam Nut 7/16 - 20 UNF
29	6289H	Oil Seal	80	541P	Oil Seal
30	8055H	Pressure Relief Valve	81	8270H	Reverse Idler Shaft
31	633A85	Gears, Reverse Idler Shaft and Bearings - R.H. (Inc. Key No's. 17, 18, 25, 26, 50, 51, 76, 77 and 82)	83	6364H	Control Knob
32	6277H	Down Pin	84	8618H	Gear Shift Lever - Bent
33	4222R	Needle Bearing	85	3013R	Gear Shift Cap
34	7388H	Thrust Bearing Race	86	633A86	Gear Shift Lever Cover and Pin
35	4106R	4th Reduction Gear Shaft	87	8739H	Shift Lever Guide Ball - Keyed
36	4200R	4th Reduction Gear Spacer	88	4924H	Spring
37	7386H	Thrust Bearing Race	89	1593P	Washer 15/32 x 5/8 x 16 Ga.
38	6275H	Gearcase Gasket	90	8106R	Washer 9/16 x 5/16 x 11 Ga.
39	633A64	Gearcase and Bearings - L.H. (Inc. Key No's. 18, 25, 49, 50, 52, 51 and 52)	92	75J	Gear Shift Gate
40	4002P	Flange Fitting	93	6274H	Shift Ball Cover Gasket
41	4003P	Street Elbow 90°, 1/2 - 1/4 N.P.T.	94	2505P	"O" Ring 1/8 x 3/4
42	6271H	Oil Seal	95	1003P	Lockwasher 5/16
43	4001P	Pipe Plug 1/4 - 18 N.P.T.	96	3105P	Hex Bolt 5/16 - 18 UNC x 7/8
44	3087P	*Hex Bolt 5/16 - 18 x 1 1/2 Grade 5	97	633A82	Gear Shift Lever Assy.
45	1007P	Lockwasher 5/16 Extra Heavy	98	633A78	Transaxle Assembly Less Brake Drum & Shift Lever
			99	7835M	Woodruff Key 1/8 x 1/2

*STANDARD HARDWARE - PURCHASE LOCALLY

KEY NO.	PART NO.	DESCRIPTION	KEY NO.	PART NO.	DESCRIPTION
1	5000P	E-Ring	27	795R	Tire Valve
2	1528P	Washer 13/16 x 1 - 1/4 x 14 Ga.	28	8856H	Cross Fitting 1/4 - 28 Taper Thrd.
3	1308H	Bearing	29	1562P	Front Wheel and Bearings
4	634A521	Front Axle w/Bearings (Inc. Key No. 3)	30	8758H	Rear Ax 5/22 x 1
5	2294P	Hex Bolt 5/8 - 11 x 5 Grade 5	31	8758H	Rear Ax 5/22 x 1
6	634A277	Spline Complete - R.H.	32	4631H	Elastic Nut 3/8 - 16 UNF
7	8040H	Flanged Bearing	33	8162H	Dist. Cap. Cover
8	7810H	Hardware Washer 3/8 - 24 UNF	34	3008P	Hex Bolt 5/16 - 18 x 1/2
9	2515R	Hardwood Washer	35	2502P	*Hex Bolt 3/8 - 24 x 1
10	7838R	Tie Rod and Joints (Inc. Key No's. 15, 16, 17, 18 & 19)	36	546P	*Hex Jam Nut 3/8 - 24 UNF
11	6855M	Grease Fitting			
12	1505P	Washer 9/32 x 1/2 x 14 Ga.			
13	4764H	Hublock Nut 5/8 x 11 UNC			
14	634A728	Spline Complete - L.H.			
15	8515R	Tie Rod Joint (R.H. Thread)			
16	556P	*Hex Jam Nut 1/2 - 20 (R.H. Thread)			
17	634A819	Tie Rod and Nuts (Inc. Key No's. 16 & 18)			
18	556P	*Hex Jam Nut 1/2 - 20 (L.H. Thread)			
19	8514R	Tie Rod Joint (L.H. Thread)			
20	634A813	Steering Gear Sector and Arm			
21	1502P	Washer 4/8 Ga. - 1 - 1/4 x 16 Ga.			
22	6842H	Grease Fitting			
23	7837H	Dist. Cap. Cover			
24	634A98	Steering Bell C- and Weldments			
25	3328R	Front Tire 18 x 6.50 - 8 T.S.			

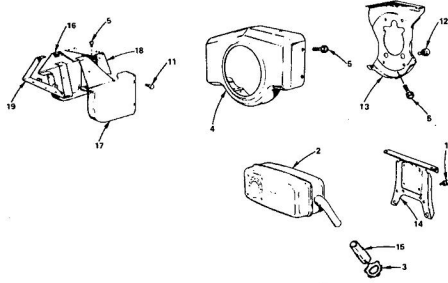
*STANDARD HARDWARE - PURCHASE LOCALLY

REPAIR PARTS

16T GARDEN TRACTOR—MODEL NO. T6328BR
BRIGGS AND STRATTON ENGINE—MODEL NO. 401417, TYPE NO. 0127-01

MUFFLER, AIR GUIDE AND HOUSING GROUP

ALL ENGINE PARTS MUST BE PURCHASED THROUGH AND SERVICE PERFORMED BY YOUR LOCAL BRIGGS AND STRATTON DEALER.



KEY NO.	PART NO.	DESCRIPTION	KEY NO.	PART NO.	DESCRIPTION
1	93643	Screw - Sems	13	392934	Back Plate As'y.
2	392999	Muffler - Exhaust	14	222776	Bracket - Muffler
3	91547	Locknut - Muffler	15	231462	Connector - Muffler
4	392681	Housing - Blower	16	392981	Cover As'y. - Air
5	93158	Screw - Sems	17	392982	Cover As'y. - Air
11	93976	Screw - Hex Hd. (Back Plate to Cylinder)	18	393025	Rear Insert As'y.
12	93777	Screw - Hex Hd. (Back Plate to Cylinder)	19	222775	Frame - Air Guide

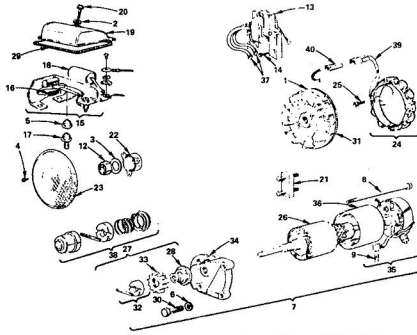
OPTIONAL EQUIPMENT
392114 Soak Arrestor Assembly
222973 Deflector (Side Outlet)
93709 Screw (6 Required)

REPAIR PARTS

16T GARDEN TRACTOR—MODEL NO. T6328BR
BRIGGS AND STRATTON ENGINE—MODEL NO. 401417, TYPE NO. 0127-01

STARTER MOTOR GROUP

ALL ENGINE PARTS MUST BE PURCHASED THROUGH AND SERVICE PERFORMED BY YOUR LOCAL BRIGGS AND STRATTON DEALER.



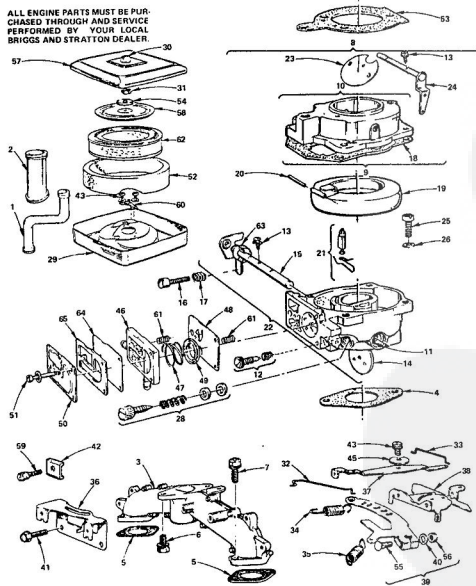
KEY NO.	PART NO.	DESCRIPTION	KEY NO.	PART NO.	DESCRIPTION
1	392966	Flywheel and Ring	21	19203	Pulley - Flywheel (Optional Equip)
2	271037	Washer	22	229274	Cup - Screen Mounting
3	222511	Washer - Spring	23	229273	Screen Fluff Rotating
4	93805	Screw - Sems	24	393474	Stator - Alternator
5	290222	Stator - Plunger	25	93521	Screw - Sems
6	90368	Lockwasher	26	392747	Armature Assembly
7	392017	Motor - Starting	27	391461	Drive As'y. - Starter
8	93887	Thru Bolt	28	391135	Clutch As'y. - Starter
9	391705	Brush Set	29	271039	Gear - Breaker Box
10	239264	Nut - Hex	30	91162	Screw - Hex Hd. 5/16 - 18 x 1-1/2
11	392329	Armature Assembly	31	391382	Gear - Flywheel Ring Inc. Mfg. Parts
12	392924	Screw - Armature Mfg. Sem	32	391462	Retaine and Pin Assembly
13	392329	Breaker As'y. - Ignition	33	280104	Gear - Startr
14	28218	Screw - Retainer	34	392602	Driver End Cap
15	393463	Breaker As'y. - Ignition	35	393019	Commutator End Cap As'y. - Starter
16	28218	Screw - Retainer	36	392744	Housing Assembly
17	393450	Plunger - Breaker	37	271798	Terminal - Ignition Cable
18	392912	Commuter	38	392354	Kit - Pinion Spring
19	212219	Cover - Breaker Point	39	393456	Diode and Connector As'y.
20	93854	Screw - Sems	40	393362	Alternator Harness As'y.

REPAIR PARTS

16T GARDEN TRACTOR—MODEL NO. T6328BR
BRIGGS AND STRATTON ENGINE—MODEL NO. 401417, TYPE NO. 0127-01

AIR CLEANER-CARBURETOR GROUP

ALL ENGINE PARTS MUST BE PURCHASED THROUGH AND SERVICE PERFORMED BY YOUR LOCAL BRIGGS AND STRATTON DEALER.



REPAIR PARTS

16T GARDEN TRACTOR—MODEL NO. T6328BR
BRIGGS AND STRATTON ENGINE—MODEL NO. 401417, TYPE NO. 0127-01

AIR CLEANER-CARBURETOR GROUP

ALL ENGINE PARTS MUST BE PURCHASED THROUGH AND SERVICE PERFORMED BY YOUR LOCAL BRIGGS AND STRATTON DEALER.

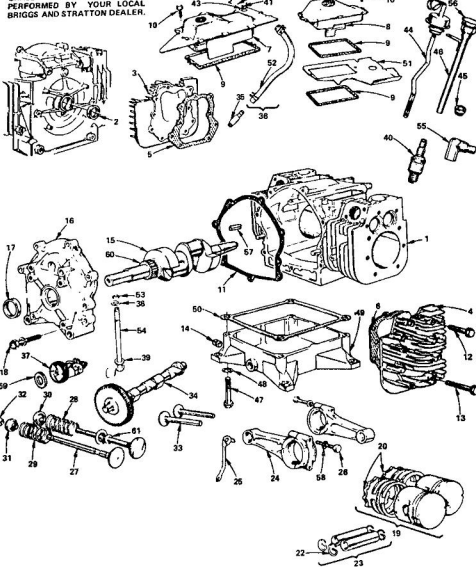
KEY NO.	PART NO.	DESCRIPTION	KEY NO.	PART NO.	DESCRIPTION
1	280185	Tube - Breather	32	261444	Link - Governor
2	280188	Tube - Intake	33	261460	Link - Speed Control
3	392970	Manifold As'y. - Intake	34	261446	Spring - Governor
4	271015	*Gasket - Carb. Mfg.	35	261487	Spring - Governor Idle
5	270884	*Gasket - Intake Manifold Mfg.	36	279807	Bracket - Speed Control
6	90415	Screw - Carb. Mfg. Sem	37	229228	Lever - Speed Control
7	92308	Screw - Intake Manifold Mfg. Sem	38	392013	Plate As'y. Governor Control
8	392806	Carburetor As'y.	39	392943	Lever As'y. - Governor
9	282207	Body As'y. - Upper Carb.	40	222280	Washer
10	393283	Body - Upper Carb.	41	93868	Screw - Sems
11	23108	Bodying - Throttle Shaft	42	221525	Clamp - Cansg
12	292681	*Valve As'y. - Carb. Idle	43	93866	Screw - Sems
13	93499	Screw - Throttle and Choke Valve Mfg. Sem	44	231172	Brushing - Speed Control
14	222432	Valve - Throttle	45	280197	Body - Pump
15	392872	Shaft and Lever - Throttle	46	261395	*Spring - Pump
16	91620	Screw - Mach. Fil. Hd. B - 32 x 5/8	47	270988	*Diaphragm
17	28157	Spring - Throttle Adj.	48	212177	*Cap - Spring
18	271008	*Gasket - Carburetor Body	49	222250	Cover - Diaphragm
19	28514	Floar - Carburetor	50	222250	Cover - Diaphragm
20	230898	*Pin - Flgat Hinge	51	93829	Screw - Diaphragm Cover
21	269096	*Valve - Fuel Inlet	52	271180	Washer
22	392985	Body - Lower Carb.	53	270988	Element - Air Cleaner
23	222010	Valve - Choke	54	92278	Nut - Hex 10 - 24
24	392873	Shaft and Lever - Choke	55	222353	Cover - Air Cleaner
25	90764	Screw - Machine, Fil. Hd. 10/32 x 5/8	56	222835	Cartridge Plate - Air Cleaner
26	92290	Washer - Lock 10 x 1/16 x 3/64	57	93465	Screw - Sems
28	391325	Jet - Main Assembly	58	392943	Mounting Strap As'y. - Air Cleaner
29	222751	Body - Air Cleaner	59	261356	*Spring
30	212292	Knob - Air Cleaner	60	392642	Cartridge - Air Cleaner
31	93715	Nut - Hex	61	271013	Washer - Choke Shaft
			62	270989	*Diaphragm - Damper
			63	271026	*Gasket - Carb. Pump
			64	392718	Gasket Set (Includes Parts Marked *)
			...	393301	Carburetor Overhaul Kit (Includes Parts Marked *)

REPAIR PARTS

16T GARDEN TRACTOR - MODEL NO. T6328BR
BRIGGS AND STRATTON ENGINE - MODEL NO. 401417, TYPE NO. 0127-01

CYLINDER, CRANKSHAFT AND ENGINE BASE GROUP

ALL ENGINE PARTS MUST BE PURCHASED THROUGH AND SERVICE PERFORMED BY YOUR LOCAL BRIGGS AND STRATTON DEALER.



REPAIR PARTS

16T GARDEN TRACTOR - MODEL NO. T6328BR
BRIGGS AND STRATTON ENGINE - MODEL NO. 401417, TYPE NO. 0127-01

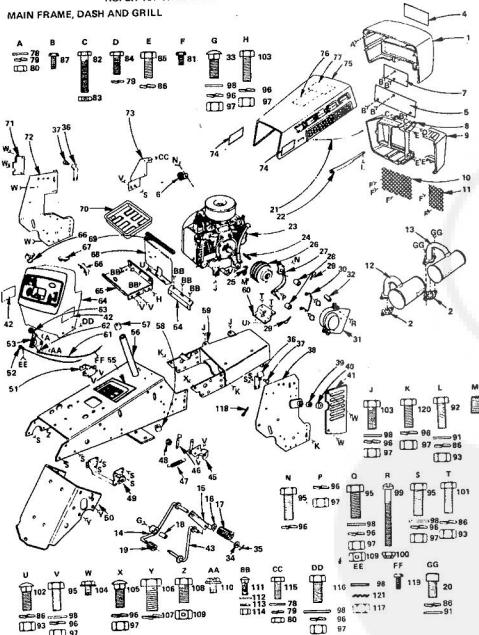
CYLINDER, CRANKSHAFT AND ENGINE BASE GROUP

KEY NO.	PART NO.	DESCRIPTION	KEY NO.	PART NO.	DESCRIPTION
1	392374	Cylinder Assembly	26	92009	Screw - Connecting Rod
2	391085	Seal - Oil	27	296420	Valve - Exhaust
3	212179	Head - Cylinder No. 1	28	68006	Spring - Intake Valve
4	212180	Head - Cylinder No. 2	29	29023	Spring - Exhaust Valve
5	270984	Gasket - Cylinder Head No. 1	30	221506	Retainer - Intake Valve
6	270985	Gasket - Cylinder Head No. 2	31	202560	Retainer - Exhaust
7	392343	Breather Assembly No. 1	32	98350	Retainer - Exhaust Valve Retainer
8	391103	Breather Assembly No. 2	33	201568	Tappet - Valve
9	27503	Gasket - Valve Cover	34	215173	Cam - Cam
10	93294	Screw - Set	35	60716	Elbow - Connector
11	270982	Gasket - Crankcase Cover 1/8" Thick	36	923244	Pin - Fuel
11	271145	Gasket - Crankcase Cover .005" Thick	37	392373	Gov - Governor
12	211446	Gasket - Crankcase Cover .008" Thick	38	220863	Washer - Gov. Crank (outside)
12	93111	Screw - Cylinder Head (1 - 15/16" Long)	39	98552	Washer - Gov. Crank (inside)
13	93113	Screw - Cylinder Head (2 - 5/16" Long)	40	392345	Plug - Spark (Retainer)
14	91084	Plug - Oil Drain	41	90576	Nut - Hex 8 - 32
15	392304	Crankshaft	42	23114	Terminal
16	392327	Cover Assembly - Crankcase	43	280180	Grommet - Insulator
17	291675	Seal - Oil	44	392181	Cap and Dipstick - Oil Filler
18	92847	Cover - Crankcase Cover Mfg. Sem	45	68838	Seal - Filler Tube
19	392371	Piston Assembly - Standard	46	392782	Tube - Oil Filler
19	392343	Piston Assembly - .010" O.S.	47	93263	Screw - Hex Hd.
19	392344	Piston Assembly - .020" O.S.	48	93268	Washer
19	392345	Piston Assembly - .030" O.S.	49	932412	Base - Engine
20	392327	Ring Set - Piston - Standard	50	279961	Gasket - Engine Base
20	392343	Ring Set - Piston - .010" O.S.	51	93953	Barrel - E
20	392344	Ring Set - Piston - .020" O.S.	52	93953	Clamp - Fuel Pipe
20	392345	Ring Set - Piston - .030" O.S.	53	93951	Retainer - E
20	392342	Ring Set - Piston - .040" O.S.	54	393309	Crank - Governor
22	299294	Lock - Piston	55	60230	Washer - Spark Plug
23	298991	Pin Assembly - Piston - Standard	56	270933	Seal - Oil Filler Cap
23	391295	Lock - Piston - .005" O.S.	57	61760	Key - Flywheel
24	392320	Rod Assembly - Connecting	58	220862	Washer
25	292460	Dipper - Connecting Rod	59	222773	Washer - Thrust
			60	160163	Gear - Timing
			61	393279	Seal As'y. and Retainer

*Inc. in Gasket Set - 392278

REPAIR PARTS

ROPER 18T TWIN-GARDEN TRACTOR - MODEL NO. T8328AR
MAIN FRAME, DASH AND GRILL



REPAIR PARTS

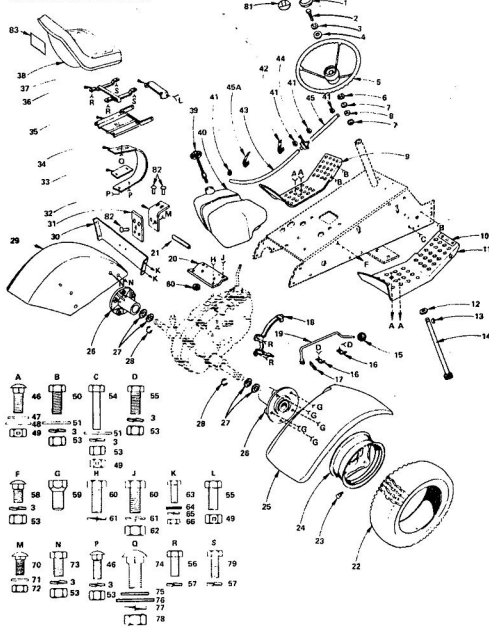
ROPER 18T TWIN-GARDEN TRACTOR - MODEL NO. T8328AR
MAIN FRAME, DASH AND GRILL

KEY NO.	PART NO.	DESCRIPTION	KEY NO.	PART NO.	DESCRIPTION
1	911J	Grill - Upper	68	107J	Battery Heat Shield
2	876J	Gasket - Exhaust Manifold	69	787AR	Hood Seal
3	245J	Decal - R.H.	70	885AR	Battery Tray
4	291J	Grill - Panel - Lower	71	85J	Cover - L.H.
5	5200R	Wire Clip	72	113J	Bracket - Battery Support - L.H.
7	290J	Grill - Panel - Upper	73	98J	Bracket - Rectifier
7	7937R	Grill - Lower	74	246J	Decal - Roper Logo
9	7938R	Grill Side	75	634AR01	Hood As'y.
10	2014R	Lock - Screen - L.H.	76	8028R	Decal - Instruction
11	2073R	Grill Screen - R.H.	77	8880R	Decal - Wiring
12	105J	Muffler - Rear	78	1505P	Washer 5/16 x 5/8 x 16 Ga.
13	104J	Muffler - Front	79	1002P	Lockwasher 1/4"
14	634AR01	Padel Weldment	80	503P	*Hex Nut 1/4 - 20 UNC
15	92J	Link	81	6501P	Phillips Pan Hd. Thd. Self Tap. 10 - 24 x 3/8 Type 1
16	92J	Push-On Nut	82	3267P	*Hex Bolt 1/4 - 20 x 1 - 1/2 Grade 5
17	53J	Rubber Pad	83	1606H	Locknut 1/4 - 20 UNC
18	91J	Pivot Spacer	84	2003P	*Hex Bolt 1/4 - 20 x 3/4
19	2812R	Lock - Key 1/4 x 2	85	3010P	*Hex Bolt 5/16 - 18 x 3/4
20	3368P	Sp. Hd. Cap Screw 5/16 - 18 x 3/4	86	1003P	Lockwasher 5/16
21	8058R	Grill Cable	87	6554P	Phillips Pan Hd. Thd. Self Tap. 10 - 18 x 1/2 on Thd. x 1/2 Bunt Point
22	878J	Grill Brace	88	3267P	*Hex Bolt 1/4 - 20 x 1 - 1/2 Grade 5
22	634AR10	Engine, Clean 18 H.P. 949M-GAO18/2417A	89	1537P	Washer 11/32 x 11/16 x 16 Ga.
24	9205R	Sp. Key 1/4 x 2	90	3011P	*Hex Bolt 5/16 - 18 x 1
25	8245R	Belt Retainer Finger	91	604P	*Hex Nut 5/16 - 18 UNC
26	634A104	Engine Pulley w/Std. Screws	92	4940P	Hex. Forged Socket Hex. Set Screw 5/16 - 18 x 1/2
27	634A27	Bolt Guide Weldment	93	3022P	*Hex Bolt 3/8 - 16 x 1
28	8104H1	Spacer	94	1004P	Lockwasher 3/8
29	4935A	Retainer Spring	95	5011P	*Hex Nut 3/8 - 16 UNC
30	9011H	Belt Retainer	96	1505P	Washer 13/32 x 13/16 x 16 Ga.
31	634A59	Belt Guard Weldment	97	2154P	Std. Fil. Hd. Machine Screw 1/4 - 20 x 2 - 1/4
32	8238H	Self Spacer	100	347H	Hiplock Nut 1/4 - 29 UNC
33	50P	Washer 17/32 x 1 x 16 Ga.	102	6P	*Carriage Bolt 5/16 - 18 x 3/4
34	1548P	Cotter Pin 1/8 x 1	103	3025P	*Hex Bolt 3/8 - 16 x 1 - 1/4
36	634A00	Hood Latch	104	5557P	Hex Washer Hd. Thd. Cutting Screw 1/4 - 20 x 1/2 Type 1
37	8457R	Support Bumper	105	61P	Sp. Neck Carriage Bolt - Shroul Shroul 3/8 - 18 x 1 Ga.
38	634A03	Battery Support Bracket (Inc. Key 39)	106	3035P	*Hex Bolt 7/16 - 14 x 1 - 1/4
39	7368R	Bearing	107	1001P	Lockwasher 7/16
40	8906R	Cap	108	3021P	*Hex Bolt 3/8 - 16 x 3/4
41	7329R	Cover - R.H.	109	6394H	Hex. Std. Hd. Machine Screw w/Sems Int. Tooth Lockwasher 10 - 22 x 1/4
42	291J	Modal Decal - Side of Dash	110	6055P	Hex. Std. Hd. Machine Screw w/Sems Int. Tooth Lockwasher 10 - 22 x 1/4
43	634A02	Lever Weldment	111	53P	Sp. Neck Carriage Bolt 10 - 24 x 1/2
45	634A136	Header Weldment R.H. - Front	112	1536P	Washer 7/32 x 7/16 x 16 Ga.
46	7844R	Belt Tightener Arm	113	1006P	Lockwasher No. 10
47	7948R	Return Spring	114	895P	*Hex Nut 10 - 24 UNC
48	7810R	Locknut 3/8 - 24 UNF	115	2154P	*Hex Bolt 3/8 - 16 x 1 - 1/2
49	634A14	Header Weldment - Rear	116	515P	*Hex Nut 3/8 - 24 UNF
50	634A78	Drawbar and Weldnuts	118	2514P	Cotter Pin 1/4 x 1
51	634A55	Header Weldment - L.H. - Front	119	5922P	*Slotted Pan Hd. Self Tap. Screw No. 8 x 3/4 Type AB
52	7931R	Choke Control	120	3025P	*Hex Bolt 3/8 - 16 x 1 - 1/4 Ga. 5
53	1518J	Throttle Control (Inc. Key 61, 62 & 63)	121	1402P	Std. Tooth Lockwasher - 3/8
54	927J	Decal (Std. Pattern)			
55	9634R	Chassis As'y. (Inc. Key 57 & 58)			
56	634A88	Bearing			
57	6468H	Bearing			
58	4760H	Engine Mount As'y.			
59	634A08	Grill Spacer			
60	98J	Throttle Wire & Casing			
61	9903R	Clamp			
62	8104H	Throttle Control Lever			
63	1551J	Dashboard (Inc. Key No's. 68 and 67)			
64	634A93	Battery Support			
65	100J	Clip - Dashboard			
66	1998R	Clip - Dashboard			
67	8911R	Clip - Dashboard			

*STANDARD HARDWARE - PURCHASE LOCALLY

REPAIR PARTS

ROPER 18T TWIN-GARDEN TRACTOR-MODEL NO. T8328AR
STEERING AND FINAL DRIVE



REPAIR PARTS

ROPER 18T TWIN-GARDEN TRACTOR-MODEL NO. T8328AR
STEERING AND FINAL DRIVE

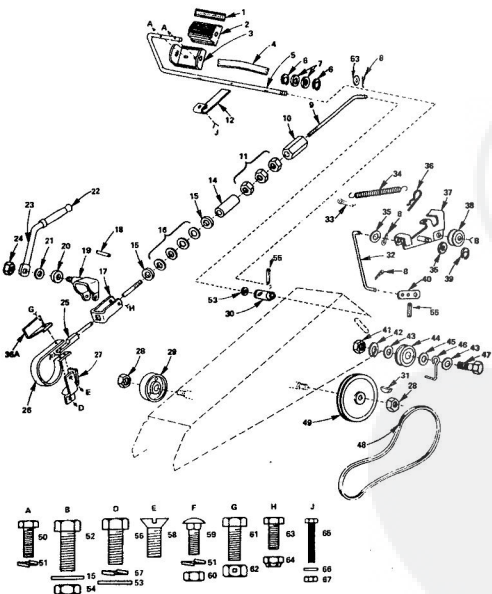
KEY NO.	PART NO.	DESCRIPTION	KEY NO.	PART NO.	DESCRIPTION
1	9719R	Steering Wheel Insert	46	61P	St. Nk. Shit. Carr. Bolt 3.8 x 1.0 x 5
2	3023P	*Hex Bolt 3/8 - 16 x 1	47	1513P	Washer 15/32 x 13/16 x 16 Ga.
3	1004P	*Lockwasher 3/8	48	1519P	Washer 15/32 x 1 x 12 Ga.
4	1659P	Washer 7/16 x 1 x 10 Ga.	49	6294H	Locknut 3/8 UNC
5	2644R	Steering Wheel	50	3025P	*Hex Bolt 3/8 - 18 x 1 - 1/4
6	5003P	E-Ring	51	1561P	Washer 13/32 x 12/16 x 11 Ga.
7	9002H	Cap	52	501P	*Hex Nut 3/8 - 16 UNC
8	5949H	Rubber Bushing	53	3027P	*Hex Bolt 3/8 - 16 x 1 - 1/2
9	7903R	Foot Rest - L.H.	54	3029P	Hex Bolt 3/8 - 16 x 7/8
10	8900R	Decal (Attach, Clutch)	55	2010P	*Hex Bolt 5/16 - 18 x 3/4
11	7904H	Foot Rest - R.H.	56	1003P	*Lockwasher 5/16
12	1653P	Washer 5/16 x 1 - 1/4 x 16 Ga.	57	18P	*St. Neck Carriage Bolt 3/8 - 16 x 3/4
13	9858M1	Woodruff Key 3/16 x 5/8	58	1304H	Hub Bolt
14	634A26	Steering Shaft and Pinion	59	3034P	Hex Bolt 7/16 - 14 x 1
15	7887R	Control Knob	60	500P	*Lockwasher 7/16
16	6442H	Shift Rod Bracket	61	500P	*Hex Nut 7/16 - 14 UNC
17	2511P	Cotter Pin 3/16 x 1	62	3003P	*Hex Bolt 1/4 - 20 x 3/4
18	634A22A	Transmission Bracket	63	1569P	Washer 9/32 x 29/32 x 16 Ga.
19	6477H	Range Shift Rod	64	1002P	*Lockwasher 1/4
20	9694H	Seat Spring	65	503P	*Hex Nut 1/4 - 20 UNC
21	8674R	Seat Spring	66	50P	*Shot Shoulder Sq. Neck Carriage Bolt 5/16 - 18 x 24
22	4607R	Rear Tire 23 x 10.50 - 12	67	1537P	Washer 11/22 x 11/16 x 16 Ga.
23	795P	Tire Valve	68	1888H	Lock Nut 5/16 - 18 UNC
24	3535R	Rear Wheel 2 x 7 JA	69	3021P	*Hex Bolt 3/8 - 18 x 3/4
25	9428R	Fender - R.H.	70	629P	Carriage Bolt 1/2 - 13 x 1 - 1/4 Gr. 5
26	634A92	Wheel Hub - Rear	71	1878P	Washer 3/4 x 1 - 1/8 x 11 Ga.
27	9427R	Acute Thread Washer	72	1560P	Washer 17/32 x 1 - 1/2 x 11 Ga.
28	5645R	Retaining Ring	73	1000P	*Lockwasher 1/2
29	9627R	Fender - L.H.	74	1562P	*Hex Nut 1/2 - 13 UNC
30	2556R	Bracket - Tail Light	75	3155P	*Hex Nut 5/16 - 18 x 7/8
31	1251	Seat Spring Bracket	76	9947R	Rubber Grommet
32	1261	Fuel Tank Retainer	77	1261P	Stainless Steel Washer
33	8147H	Seat Spring Reinforcement	78	1565P	*Hex Nut 1/2 - 13 UNC
34	7898R	Seat	79	1565P	*Hex Nut 1/2 - 13 UNC
35	634A76	Seat Plate Weldment	80	9947R	Rubber Grommet
36	634A52	Seat Bracket Weldment	81	2361	Stainless Steel Washer
37	7977R	Bracket, Seat Pivot	82	1241	Rubber Bumper
38	9746H	Seat	83	245J	Decal
39	7888R	Fuel Gauge	84	1561P	Washer 13/32 x 12/16 x 11 Ga.
40	7889R	Fuel Tank	85	245J	Warranty Fact Tag
41	8999R	Fuel Line Clamp	86	1561P	Washer 13/32 x 12/16 x 11 Ga.
42	2751R	Clip - Fuel Line	87	502P	*Lockwasher 5/16
43	7834P	Fuel Line (Long)			
44	2861	In-Line Filter			
45	7833R	Fuel Line (Short)			
45A	9297R	Clip - Fuel Line			

*STANDARD HARDWARE PURCHASE LOCALLY

REPAIR PARTS

ROPER 18T TWIN-GARDEN TRACTOR-MODEL NO. T8328AR

BRAKE AND CLUTCH



REPAIR PARTS

ROPER 18T TWIN-GARDEN TRACTOR-MODEL NO. T8328AR

BRAKE AND CLUTCH

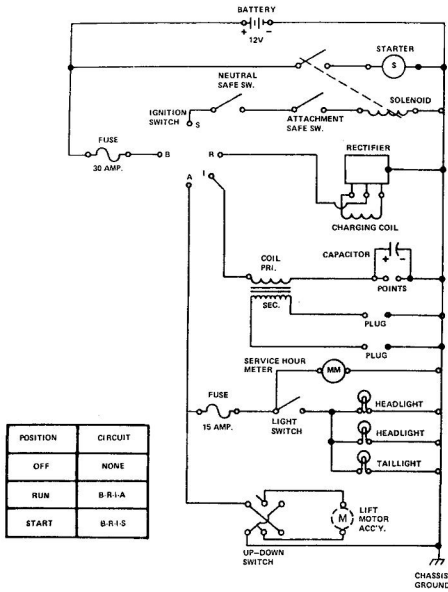
KEY NO.	PART NO.	DESCRIPTION	KEY NO.	PART NO.	DESCRIPTION
1	8899R	Insert Clutch-Brake	37	634A75A	Idle Bracket Weldment
2	8822R	Foot Pedal	38	6238H	Idle
3	8156H	Foot Pedal Bracket	39	5000P	E-Ring
4	9008H	Spring	40	634A89B	Steering Arm Assembly
5	1111	Foot Pedal Shaft	41	500P	*Lockwasher 7/16
6	5001P	E-Ring	42	1001P	*Hex Bolt 1/4 - 20 x 3/4
7	1523P	Washer 21/32 x 7/8 x 16 Ga.	43	1544P	Washer 15/32 x 15/16 x 16 Ga.
8	2505P	Cotter Pin 1/8 x 3/4	44	6835H	Flat Idle
9	2322R	Brake Rod - Front	45	1520P	Washer - 409 I.D. x 1 - 1/8 x 11 Ga.
10	6417H	Lardbuckle	46	6479H1	Belt Fender
11	501P	*Hex Nut 3/8 - 10 UNC	47	3262P	Hex Bolt 7/16 - 14 x 2 - 1/2
12	7823R	Safety Start Actuator	48	2892H	V-Belt
13	2201R	Bushing	49	6481H2	Pulley, Transmission
14	1527P	Washer 13/32 x 13/16 x 11 Ga.	50	3035P	*Hex Bolt 1/4 - 20 x 3/4
15	2263R	Spring Washer	51	1002P	*Lockwasher 1/4
16	9656R	Parking Brake Yoke	52	3052P	*Hex Bolt 3/8 - 24 x 1
17	1754H	Roll Pin	53	1513P	*Washer 13/32 x 12/16 x 16 Ga.
18	634A887	Lock Bracket Assembly	54	548P	*Hex Jam Nut 3/8 - 24 UNF
19	2221R	Parking Brake Spacer	55	5142H	Roll Pin
20	4379H	Spring Washer	56	3027P	Hex Bolt 3/8 - 16 x 7/8
21	5999R	Handle Grip	57	1004P	*Lockwasher 3/8
22	626A241	Parking Lock Handle Assembly	58	3164P	Flar Hd. Machine Screw - Undercut 3/8 - 16 x 24
23	7810H	Clutch Centerlock Nut 3/8 - 24 UNF	59	11P	Sq. Neck Carriage Bolt 1/4 - 20 x 5/8
24	626A365	Brake Rod Assembly	60	500P	*Hex Nut 1/4 - 20 UNC
25	634A157	Brake Band and Lining	61	3155P	*Hex Bolt 5/16 - 18 x 7/8
26	634A168	Brake Bracket Assembly	62	1885H	Locknut 5/16 - 18 UNC
27	9294H	Lock Nut 1/2 - 20 UNF	63	3244P	Hex Bolt 1/4 - 28 x 5/8 Gr. 5
28	7648H1	Brake Drum	64	9071H	Hex Hd. Mach. Screw 5/32 x 1
29	634A889	Brake Arm Assembly	65	3262P	Washer 5/22 x 3/8 x 20 Ga.
30	9858M1	Woodruff Key	66	1567P	Conical Lock Nut 5/32 UNC
31	9268R	Clutch Rod	67	502P	*Lockwasher 5/16
32	7514P	Cotter Pin 1/4 x 1			
33	1567P	Washer 17/32 x 1 - 1/16 x 21 Ga.			
34	6488H	Spring			
35	4929M	Retainer Spring			
36	544J	Hose Shield			

*STANDARD HARDWARE PURCHASE LOCALLY

REPAIR PARTS

ROPER 18T TWIN-GARDEN TRACTOR-MODEL NO. T8328AR

SCHEMATIC DIAGRAM

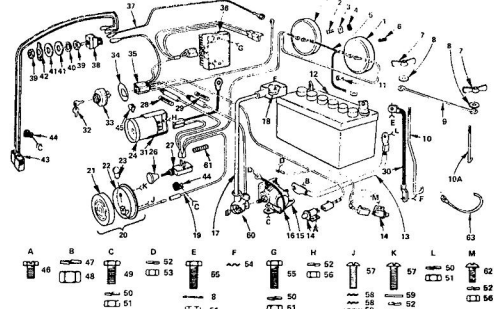


POSITION	CIRCUIT
OFF	NONE
RUN	B-R-1-A
START	B-R-1-S

REPAIR PARTS

ROPER 18T TWIN-GARDEN TRACTOR-MODEL NO. T8328AR

ELECTRICAL

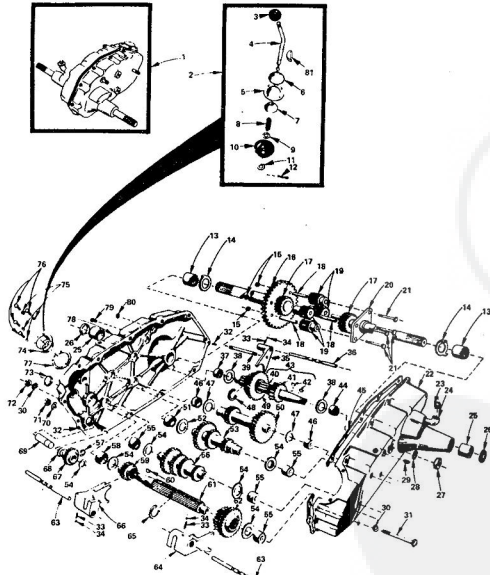


KEY NO.	PART NO.	DESCRIPTION	KEY NO.	PART NO.	DESCRIPTION
1	6452R	Headlight	34	8856R	Terminal Identifier
2	5554P	Pin-Rip Hd. Tnd. Cutting Screw No. 10 - 18 x 1/2	35	8555R	Wire Harness-Main
3	8780H	Mounting	36	7753R	Regulator-Rectifier
4	8784H	Rubber Spacer	37	8669R	Wiring Ground Lift Switch
5	8231H	Headlight Ground Wire	38	8864R	Switch-Elec. Lift
6	8197H	Hose	39	555P	Hex Nut, Slim 7/16 - 32 NS-2A
7	3148A	Battery Clamp	40	7318R	Lockwasher, Internal Tooth
8	1506P	Battery Bolt	41	1518P	Washer 15/32 x 11/16 x 16 Ga.
9	795R	Battery Bolt	42	8348R	Switch-Plate
10	2665R	Battery Bolt	43	8855R	1/8" Motor Harness
10A	8813A	Insulated Clip	44	5320R	Clip, Wire
11	4171R	Battery Bolt	45	8913A	Clip
12	221R	Cable - Solenoid to Starter	46	5634P	Stillet Hex Indented Hd. Self Tapping Screw No. 10 - 24 x 3/8 Type 1
13	2235R	Switch	47	1003P	*Lockwasher 5/16
14	7753R	Solenoid	48	538P	*Hex Slim Nut 1/8 - 24 UNF
15	7754R	Wire - Ground to Solenoid	49	3118P	*Hex Bolt 1/4 - 20 x 6/8
16	6027R	Battery Cable	50	1059P	*Lockwasher 1/8
17	116J	Battery Cable	51	603P	*Hex Nut 1/4 - 20 UNF
18	8030R	Light Harness	52	1059P	*Lockwasher 1/8
19	8030R	Light Harness	53	645P	*Hex Nut No. 10-32 UNF
20	8030H	Light Harness	54	1459P	*Flat Tooth Lockwasher 5/8
21	8224H	Lens - Taillight	55	3003P	*Hex Bolt 1/4 - 20 x 3/4
22	8224H	Lens - Taillight	56	1469P	*Hex Nut No. 10 - 24 UNF
23	8291H	Bulb No. 1895 2 Candle Power	57	3024P	*Std. Truss Hd. Mach. Screw 10 - 24 x 3/4
24	7782R	Maintenance Meter	58	1469P	*Std. Tooth Lockwasher No. 10
25	7794R	Light Switch Knob	59	1634P	*Washer 7/32 x 1/2 x 18 Ga.
26	7794R	Light Switch Knob	60	611	Standard Terminal Cover
27	7794R	Light Switch Knob	61	302J	Wire Guard
28	2212R	Fuse - 15 Amp.	62	2359P	Std. R.H. Mach. Screw No. 10 - 24 x 1/2
29	624R	Fuse - 30 Amp.	63	6106R	Cable Tie
30	2753R	Battery Cable - Ground			*STANDARD HARDWARE-PURCHASE LOCALLY
31	8959R	Maintenance Meter Bracket			
32	7852H	Key Set			
33	2683R	Ignition Switch			

REPAIR PARTS

ROPER 18T TWIN-GARDEN TRACTOR-MODEL NO. T8328AR

TRANSAXLE



REPAIR PARTS

ROPER 18T TWIN-GARDEN TRACTOR-MODEL NO. T8328AR

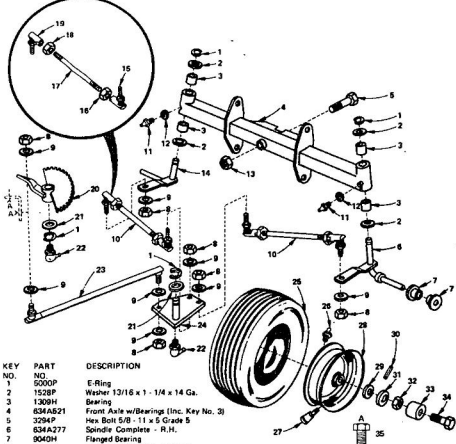
TRANSAXLE

KEY NO.	PART NO.	DESCRIPTION	KEY NO.	PART NO.	DESCRIPTION
1	633A9Z	Transaxle Assembly Less Brake Drum & Shift Lever (Inc. Key No's. 13 thru 80)	44	8119M	Neutric Bearing
2	633A8Z	Gear Shift Lever Assembly (Inc. Key No's. 3 thru 12 and 81)	45	6275H	Gasket - Gearcase
3	7887R	Control Knob	46	8117M	Neutric Bearing
4	9629R	Gear Shift Lever	47	7350H	Thrust Bearing Race
5	633A8S	Gear Shift Ball Cover and Pin	48	6278H	Snap Ring - Crescent Type
6	5013R	Gear Shift Cap	49	633A3Z	High - Low Range Gears and Hub
7	8139H1	Shift Lever Guide Ball	50	7350H	4th Reduction Shaft and Gears
8	4924H	Spring	51	7350H	Thrust Bearing Race
9	1544P	Washer 15/32 x 5/8/64 x 16 Ga.	52	7350H	Thrust Bearing Race
10	8105R	Shift Mechanism Seal	53	633A31	2nd Reduction Shaft and Gears
11	1525P	Washer 5/16 x 15/16 x 11 Ga.	54	1320H	Thrust Bearing Race
12	2605P	Control 1/8 x 3/4	55	4895H	Needle Bearing
13	3039R	Needle Bearing	56	633A3D	Speed Change Gears and Shaft
14	6266H	Axis Thrust Washer	57	5001P	E Ring
15	7810H	Centerlock Gripco Nut 3/8 - 24 UNF	58	4894H	Needle Bearing
16	8652H	Final Drive Gear	60	6231H	Low Speed Pinion
17	633A7Z	Axle Shaft and Gear	60	9858M1	Woodruff Key
18	6252H1	Bushing - Differential Pinion	61	8218H	Input Shaft
19	8697H	Differential Pinion	62	633A11	Intermesh and High Speed Pinions
20	6263H1	Differential Carrier	63	6216H	Shft. Fork L.H.
21	3056P	1" Thread Length	64	4219H	Shft. Fork L.H.
22	633A89	Gear Case and Bearings - L.H.	65	4828H	Snap Ring - Crescent Type
23	4002P	Pipe Plug 1/2 - 14 N.P.T.	66	6809H	Shft. Fork - R.H.
24	4003P	90 Street Elbow 1/2 - 14 N.P.T.	67	1163R	Reverse Idler Gear
25	92281	Sintered Iron Bearing	68	7399H	Reverse Idler Thrust Washer
26	7303R	Oil Seal	69	7885H	Reverse Idler Shaft
27	9204H	Lock Nut	70	1167R	Sculing Washer
28	6271H	Oil Seal	71	541P	*Hex Jam Nut 7/16 - 20 UNF
29	3001P	Pipe Plug 1/4 - 18 N.P.T.	72	504P	Oil Seal
30	1007P	Lockwasher 5/16 Extra Heavy	73	6270H	Oil Seal
31	3087P	Hex Bolt 5/16 - 18 x 1 - 1/2 Gr. 5	74	76J	Gear Shift Gate
32	6277H	Down Pin	75	1003P	*Lockwasher 5/16
33	6277H	Down Pin	76	3158P	*Hex Bolt 5/16 - 18 x 7/8
34	7302A	Screw - Shift Fork Detent	77	6274H	Gasket - Shift Ball Cover
35	6209H	Shift Fork High - Low Range	78	633A3G	Gear Case, Reverse Idler Shaft and Bearings R.H.
36	6217H	High - Low Range Shft. Fork Shaft	79	5855H	Pressure Relief Valve
37	8118M	Needle Bearing	80	6266H	Oil Seal
38	6206H	Thrust Bearing Race	81	7835M	Woodruff Key
39	6215H	High - Low Range Shft. Shaft			*STANDARD HARDWARE-PURCHASE LOCALLY
40	6221H	3rd Reduction Gear Shaft			
41	8655H	4th Reduction Pinion			
42	2229M	Woodruff Key			
43	633A3Z	3rd Reduction Shaft and Gear (Inc. Key No's. 40 - 41 & 42)			

REPAIR PARTS

ROPER 18T TWIN-GARDEN TRACTOR-MODEL NO. T8328AR

FRONT AXLE



KEY NO.	PART NO.	DESCRIPTION	KEY NO.	PART NO.	DESCRIPTION
1	5000P	E Ring	26	6858M	Grease Fitting 1/4" - 28 Taper Thrd.
2	1328P	Washer 1/218 x 1 - 1/4 x 14 Ga.	27	785R	Tire Valve
3	1309H	Bearing	28	3638R	Front Wheel and Bearings
4	634B21	Front Axle w/Bearings (Inc. Key No. 3)	29	1522P	Washer 20/32 x 1 - 1/2 x 16 Ga.
5	3295P	Hex Bolt 5/8" - 11 x 5 Grade 8	30	8785H	Roll Pin 5/32 x 1
6	634A277	Splines Complete - R.H.	31	8785H	Wear Washer
7	9040H	Flanged Bearing	32	4831H	Electric Nut 3/8 - 16 UNF
8	7810H	Gripco Locknut 3/8 - 24 UNF	33	8783H	Dust Cap Outer
9	2515R	Handed Washer	34	3025P	Hex Bolt 5/16" - 18 x 1/2
10	7838R	Tie Rod and Joints (Inc. Key No. 15, 16, 17, 18 & 19)	35	3025P	*Hex Bolt 3/8 - 24 x 1
11	8855M	Grease Fitting	36	846P	*Hex Jam Nut 3/8 - 24 UNF
12	1506P	Washer 9/32 x 1/2 x 14 Ga.			
13	4761H	Washlock Nut 5/16 x 11 UNC			
14	634A278	Solidie Complete L.H.			
15	8515R	Tie Rod Joint (R.H. Thread)			
16	555P	*Hex Jam Nut 1/2" - 20 (R.H. Thread)			
17	634A819	Tie Rod and Nuts (Inc. Key No. 15 & 16)			
18	555P	*Hex Jam Nut 1/2" - 20 (L.H. Thread)			
19	8514R	Tie Rod Joint (L.H. Thread)			
20	634A813	Steering Gear Sector and Arm			
21	1552P	Washer 49/64 x 1 - 1/4 x 16 Ga.			
22	6842M	Grease Fitting			
23	7827R	Disc Lock and Joints			
24	634A808	Steering Bell Crank Weight			
25	3638R	Front Tire 18 x 6.50 - 8 T.S.			

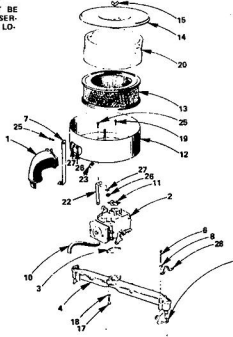
*STANDARD HARDWARE-PURCHASE LOCALLY

REPAIR PARTS

ROPER 18T TWIN-GARDEN TRACTOR-MODEL NO. T8328AR

FUEL SYSTEM GROUP

ALL ENGINE PARTS MUST BE PURCHASED THROUGH AND SERVICE PERFORMED BY YOUR LOCAL ONAN DEALER.



KEY NO.	PART NO.	DESCRIPTION	KEY NO.	PART NO.	DESCRIPTION
1	140-1169	Tube, Air Intake (Air Cleaner to Blower Housing)	15	865-0020	Nut, Wing - Air Cleaner (1/4" - 20)
2	142-0568	Carburetor, Gasoline (with Integral Fuel Pump)	17	800-0021	Screw, Hex Head Cap (1/4" - 20 x 1 - 3/8")
3	145-0438	*Gasket, Carburetor Mounting	18	850-0040	Washer, Spring Lock (1/4" - 20)
4	154-1460	Manifold, Intake	19	815-0463	Screw, Round Head with Nylon Seal (No. 10 - 32 x 6.9")
5	154-1744	*Gasket, Intake - Manifold	20	140-1259	Washer, Air Cleaner Element
6	800-0033	Screw, Hex Head Cap 5/16" - 18 x 2	22	140-1313	Bracket, Air Cleaner Support
7	140-1198	Support, Air Cleaner	23	518-0228	Clip, Bracket, Cable
8	850-0045	Washer, Spring Lock (5/16")	26	800-0003	Screw, Hex Head Cap (1/4" - 20 x 1/2")
10	603-0140	Hose, Fuel Pump Vacuum	28	862-0001	Nut, Hex Steel (1/4" - 20)
11	140-1215	*Gasket, Air Cleaner Mtg.	27	833-0013	Washer, Lock - ET (1/4")
12	140-1213	Housing, Air Cleaner	28	403-1021	Bracket, Lifting
13	140-1216	Element, Air Cleaner			
14	140-1198	Cover, Air Cleaner			

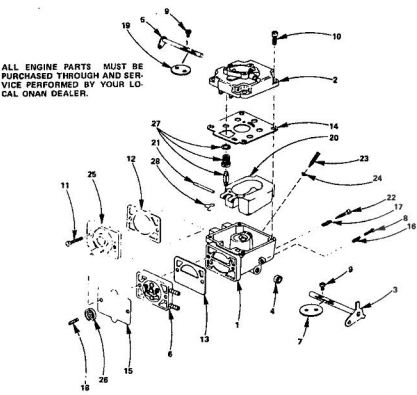
1. See separate group for components.
* Included in Gasket Kit, page 29.

REPAIR PARTS

ROPER 18T TWIN-GARDEN TRACTOR-MODEL NO. T8328AR
ONAN ENGINE-MODEL NO. B48M-GA018/3417A

CARBURETOR PARTS GROUP

ALL ENGINE PARTS MUST BE PURCHASED THROUGH AND SERVICE PERFORMED BY YOUR LOCAL ONAN DEALER.



KEY NO.	PART NO.	DESCRIPTION	KEY NO.	PART NO.	DESCRIPTION
1	142-0568	Carburetor Assembly, Complete	17	142-0282	*Spring, Idle Needle
11	142-0574	Body Assembly, Lower	18	142-0546	*Spring, Pump Diaphragm
2	142-0573	Stem Assembly	19	142-0546	Fly, Choke
3	142-0534	*Shaft Assembly, Throttle	20	142-0547	Float and Lever Assembly
4	142-0525	Packing, Shaft	21	142-0548	*Shaft, Float Lever
5	142-0535	Shaft Assembly, Choke	22	142-0016	*Needle, Idle
6	142-0537	*Valve Plate Assembly	23	142-0549	Needle Assembly, Power
7	142-0538	Fly, Throttle	24	142-0550	*Gasket, "O" Ring
8	142-0584	Screw, Throttle Stop	25	142-0551	Cover, Pump
9	142-0536	*Screw, Fly Mounting	26	142-0552	*Plate, Pump Spring
10	142-0539	Screw, Bowl Cover Mounting	27	142-0553	*Valve Assembly, Float
11	142-0540	Screw, Pump Cover	28	142-0554	Clip, Float Valve
12	142-0541	*Gasket, Base to Diaphragm	142-0571	*Gasket Set (Includes Parts Marked T)	
13	142-0542	*Gasket, Flare to Base	142-0570	Repair Kit (Includes Parts Marked T)	
14	142-0572	*Gasket, Stem Assembly to Base			
15	142-0555	*Diaphragm, Pump			
16	142-0544	Spring, Throttle Stop Screw			

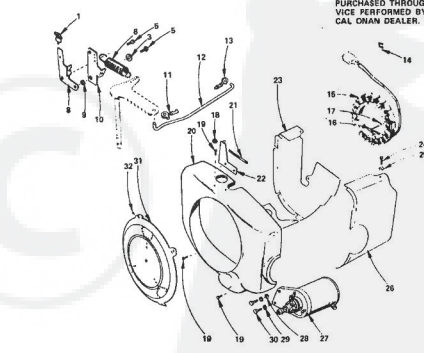
T. Included in 142-0571 Gasket Set
* Included in 142-0570 Repair Kit

REPAIR PARTS

ROPER 18T TWIN-GARDEN TRACTOR-MODEL NO. T8328AR
ONAN ENGINE-MODEL NO. B48M-GA018/3417A

GOVERNOR, STARTER CHARGING ALTERNATOR AND BLOWER HOUSING GROUP

ALL ENGINE PARTS MUST BE PURCHASED THROUGH AND SERVICE PERFORMED BY YOUR LOCAL ONAN DEALER.



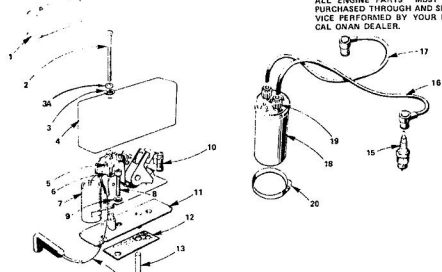
KEY NO.	PART NO.	DESCRIPTION	KEY NO.	PART NO.	DESCRIPTION
1	818-0178	Clip, Throttle Cable	19	815-0201	Screw, Hex Head Cap (1/4" - 20 x 7/16")
3	525-0214	Flat Washer (1 7/8 I.D. x 1/2 O.D. x 1/16 Thick)	20	134-3401	Housing, Blower
5	815-0436	Screw, Hex Cap - Flange Locking (1/4" - 20 x 1/2)	21	150-1418	Shaft, Governor
6	150-1214	Spring, Governor	22	150-1433	Bracket, Governor Control
8	150-1343	Bracket, Governor Mounting	23	134-2885	Housing, Cylinder Air - Left
9	150-1269	Bushing Governor Control Arm, Governor Control	24	815-0290	Screw, Hex Head Cap (1/4" - 20 x 5/8")
10	150-1578	Clip, Governor Control Rod to Governor Arm	25	526-0021	Washer, Flat - Steel (1 7/8" I.D. x 3/4" O.D. x 1/16" Thick)
11	870-0278	Rod, Governor Control Rod to Governor Arm	26	134-3400	Housing, Cylinder Air - Right
12	150-1350	Rod, Governor Control	27	191-0933	Starter, 12 Volt (For Components see separate group)
13	515-0004	Clip, Governor Control Rod to Carburetor	28	526-0113	Washer, Flat - Steel (1 7/8" I.D. x 3/4" O.D. x 1/16" Thick)
14	167-0188	Clip, Alternator Lead Support	29	850-0045	Washer, Spring Lock (5/16")
15	191-1102	Stator, Charging Alternator	30	800-0078	Screw, Hex Head Cap (5/16" - 18 x 1")
16	813-0108	Screw Round Head - Steel No. 10 - 32 x 1 - 1/2"	31	134-3213	Guard, Blower Housing
18	870-0131	Nut, Hex No. 10 - 32	20	815-0278	Screw, Int. Hex Head w/ET (No. 14 x 1/2")

Click Here to upgrade to Unlimited Pages and Expanded Features

REPAIR PARTS

ROPER 18T TWIN-GARDEN TRACTOR-MODEL NO. T8328AR
ONAN ENGINE-MODEL NO. B48M-GAO18/3417A

IGNITION GROUP



ALL ENGINE PARTS MUST BE PURCHASED THROUGH AND SERVICE PERFORMED BY YOUR LOCAL ONAN DEALER.

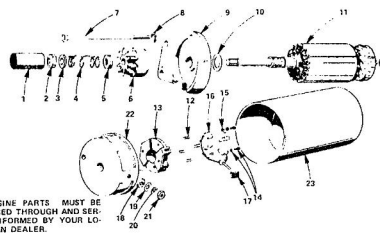
KEY NO.	PART NO.	DESCRIPTION
1	160-1210	Box Assembly, Breaker (Includes Parts Marked *)
2	812-0108	1" Screw, Machine - Round Head (No. 10 - 16 x 1 - 3/2")
3	526-0008	1" Washer, Flat (1.304" I.D. x 7/16" O.D. x 1/20" Thick)
3A	809-0055	1" Retainer, "O" Ring
4	160-1232	"Cover, Breaker Box
5	815-0358	"Screw, Tuning - Hex Head (No. 8 - 32 x 5/16")
6	850-0025	"Washer, Lock - Spring (No. 8)
7	312-0186	"Condenser, Ignition
8	802-0034	"Screw, Cap - Socket Head (1/4 - 20 x 3/4")
9	850-0038	"Washer, Lock - Spring - High Collar (1/4")
10	160-1183	"Point Assembly, Breaker
11	160-1219	"Base, Breaker Box
12	160-1150	"Gasket, Breaker Box
13	165-1151	"Plunger, Breaker Points Assembly
14	336-2132	Lead, Breaker Points to Coil
15	101-0237	Plug, Spark
16	101-1696	Cable, Spark Plug (1 1/2")
17	101-1586	Cable, Spark Plug (1 1/8")
18	166-0535	Coil, Ignition
19	165-0504	Nut, Coil Cable (Part of 168-0535 Coil)
20	800-0311	Clamp, Coil Mounting

*PARTS INCLUDED IN 160-1210 BREAKER BOX ASSEMBLY
*INCLUDED IN GASKET KIT 168-0130.
*INCLUDED IN 160-1232 COVER

REPAIR PARTS

ROPER 18T TWIN-GARDEN TRACTOR-MODEL NO. T8328AR
ONAN ENGINE-MODEL NO. B48M-GAO18/3417A

STARTER PARTS GROUP



ALL ENGINE PARTS MUST BE PURCHASED THROUGH AND SERVICE PERFORMED BY YOUR LOCAL ONAN DEALER.

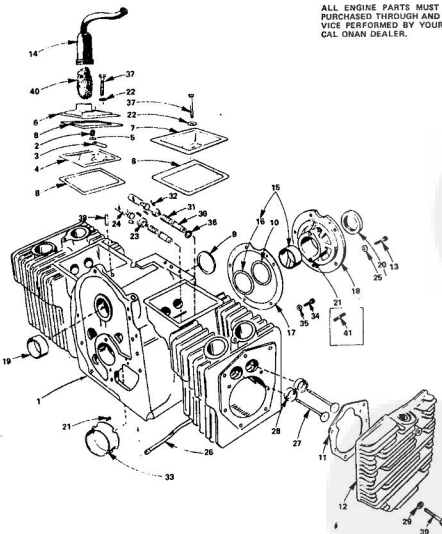
KEY NO.	PART NO.	DESCRIPTION
1	191-0933	Starter, 12 Volt (Complete)
2	191-1834	Cover, Dust
3	191-1045	Nut, Stop
4	191-1046	Washer, Stop Nut
5	191-1035	Screw, Anti-dirt
6	191-1047	Switch, Dust Cover
7	191-1036	Drive Assembly
8	191-1048	Screw, Hex Cap
9	850-0040	Washer, Lock
10	191-1037	Cap, Assembly, Drive End
11	191-1038	Washer, Armature Thrust
12	191-1039	Armature
13	▲	1" Spring, Brush
14	▲	1" Brush Holder
15	▲	1" Screw and Lockwasher
16	▲	1" Brush, Ground
17	▲	1" Stud and Brush Assembly, Input
18	▲	1" Bushing, Insulation - Input Stud
19	▲	1" Washer, Insulation - Input Stud
20	▲	1" Washer, Flat - Input Stud
21	▲	1" Nut, Securing - Input Stud
22	191-1040	Cap, Assembly, Commutator (Includes Parts Marked *)
23	191-1041	Repair Kit, Brush, Spring and Stud (Includes Parts Marked *)

▲ - Included in the 191-1040 Cap Assembly
* - Included in the 191-1041 Brush, Spring and Stud Kit.
▲ - Not Sold Separately

REPAIR PARTS

ROPER 18T TWIN-GARDEN TRACTOR-MODEL NO. T8328AR
ONAN ENGINE-MODEL NO. B48M-GAO18/3417A

CYLINDER BLOCK GROUP



ALL ENGINE PARTS MUST BE PURCHASED THROUGH AND SERVICE PERFORMED BY YOUR LOCAL ONAN DEALER.

REPAIR PARTS

ROPER 18T TWIN-GARDEN TRACTOR-MODEL NO. T8328AR
ONAN ENGINE-MODEL NO. B48M-GAO18/3417A

CYLINDER BLOCK GROUP

KEY NO.	PART NO.	DESCRIPTION	KEY NO.	PART NO.	DESCRIPTION
1	110-2621	Block Assembly, Cylinder (Includes Parts Marked I)	28		INSERT, VALVE SEAT EXHAUST
2	123-1174	Spring, Breather Valve	110-1824	IS Standard	
3	123-1175	Valve, Breather	110-1824-02	.002" Oversize	
4	123-1173	Ball, Breather	110-1824-05	.005" Oversize	
5	526-0018	Washer, Flat - Steel (17/64" I.D. x 5/8" O.D. x 1/16" Thick)	110-1824-10	.010" Oversize	
6	110-2274	Cover, Valve Compartment (L.H.)	110-1824-25	.025" Oversize	
7	110-1879	Cover, Valve Compartment (R.H.)	110-0137	IS Standard	INTAKE
8	110-1921	gasket, Valve Cover	110-0197-02	.002" Oversize	
9	517-0048	Plug, Extension - Camshaft	110-0197-05	.005" Oversize	
10	104-0776	Thin, Rear Bearing Plate (.005")	110-0197-10	.010" Oversize	
11	110-2287	gasket, Cylinder Head	110-0197-25	.025" Oversize	
12		HEAD, CYLINDER	29	526-0122	Washer, Flat - Steel (11/32" I.D. x 23/32" O.D. x 1/8 Gauge)
	110-2564	Right Side (No. 2 Cylinder)	30	110-1867	Guide, Valve
	800-2563	Left Side (No. 1 Cylinder)	31	110-0539	Spring, Valve
13	800-0051	Screw, Hex Head Cap - Steel (3/8 - 16 x 1 1/4")	32	110-0639	Lock, Valve and Spring Retainer
14	123-1277	Tube, Breather	33		BEARING, CRANKSHAFT - FRONT (FLANGED)
15		BEARING, CRANKSHAFT - REAR (INCLUDES THRUST WASHER)	101-0432	IS Standard	
	101-0450	IS Standard	101-0432-02	.002" Oversize	
	101-0450-02	.002" Oversize	101-0432-10	.010" Oversize	
	101-0450-10	.010" Oversize	101-0432-20	.020" Oversize	
	101-0450-20	.020" Oversize	101-0432-30	.030" Oversize	
	101-0450-30	.030" Oversize	34	800-0048	Screw, Hex Head Cap (3/8 - 16 x 3/4") - Cylinder Block Wet Hole
16	104-0526	1" Washer, Crankshaft Bearing Thrust	35	526-0066	Washer, Flat - Copper (25/64" I.D. x 9/16" O.D. x 1/16" O.I.)
17	101-0415	1" Gasket, Bearing Plate	36	110-0068	1" Gasket, Valve Guide (Intake)
18	101-0426	Plate, Bearing (Excludes Bearings)	37	800-0010	Screw, Hex Head Cap (1/4 - 20 x 1 - 3/4")
19	501-0465	1" Bearing, Camshaft (Position)	38	149-1299	Tube, Fuel Pump Vacuum
20	609-0011	1" Seal, Bearing Plate	39	800-0541	5/16 - 18 x 1 5/8" SCREW, HEX HEAD CAP
21	516-0012	1" Plug, Main Bearing Stop	40	123-0866	Filter, Breather Tube
22	526-0053	Washer, Flat - Copper (17/64" I.D. x 7/16" O.D. x 1/32" Thick)	41	520-0820	Stud, Cylinder Block Wet Hole (Lower)
23	110-0893	Standard			
24	115-0006	0.005" Oversize			
25	800-0050	1" Washer, Lock (3/8")			
26	120-0135	1" Tube, Crankcase Oil			
27		VALVE			
	110-1808	Intake			
	110-1809	Exhaust			

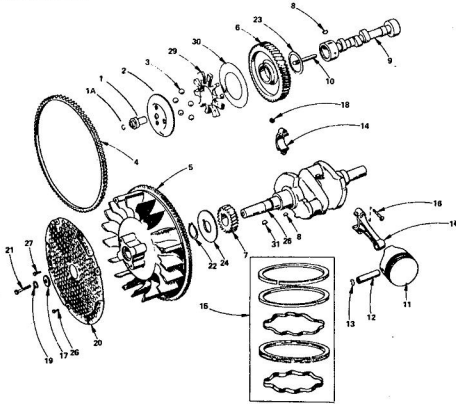
I - Included in 110-2287 Cylinder Block Assembly
* - Replacement From Flange Bearing replaces unflanged bearing and thrust washer
x - Included in Gasket Kit 168-0130

REPAIR PARTS

ROPER 18T TWIN-GARDEN TRACTOR-MODEL NO. T832BAR
ONAN ENGINE-MODEL NO. B48M-GAO18/3417A

CRANKSHAFT, FLYWHEEL, CAMSHAFT
AND PISTON GROUP

ALL ENGINE PARTS MUST BE
PURCHASED THROUGH AND SER-
VICE PERFORMED BY YOUR LO-
CAL ONAN DEALER.



REPAIR PARTS

ROPER 18T TWIN-GARDEN TRACTOR-MODEL NO. T832BAR
ONAN ENGINE-MODEL NO. B48M-GAO18/3417A

CRANKSHAFT, FLYWHEEL, CAMSHAFT
AND PISTON GROUP

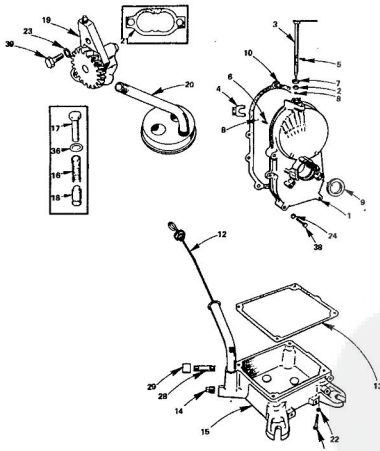
KEY NO.	PART NO.	DESCRIPTION
1	150 1510	Hub
1A	150 0028	Ring, Camshaft Center Pin
2	150 1520	Cup, Governor
3	510 0915	Ball, Fly - Governor
4	104 0779	Gear, Ring - Flywheel
5	134 2096	Flywheel (Includes Ring Gear and Magnet Ring)
6	106 0332	Gear, Camshaft (Includes Flyball Spacer and Plate)
7	104 0023	Gear, Crankshaft
8	515 0001	Key (1/2" Diameter x 1/8")
9	105 0402	Camshaft (Includes Center Pin)
10	150 0075	Pin, Camshaft Center
11		PISTON AND PIN (INCLUDES RE-TAINING RINGS)
	112 0151	Standard
	112 0151-05	005" Overize
	112 0151-10	010" Overize
	112 0151-20	020" Overize
	112 0151-30	030" Overize
	112 0151-40	040" Overize
12	112 0122	Pin, Piston
13	518 0311	Ring, Piston Pin Retaining
14		ROD ASSEMBLY, CONNECTING
	114 0267	Standard
	114 0267-10	010" Overize
	114 0267-20	020" Overize
	114 0267-30	030" Overize
15		RING SET, PISTON
	113 0189	Standard
	113 0189-05	005" Overize
	113 0189-10	010" Overize
	113 0189-20	020" Overize
	113 0189-30	030" Overize
	113 0189-40	040" Overize
16	114 0240	Bolt, Special - Connecting Rod
17	525 0017	Washer, Flat Steel (19/32" I.D. x 1-1/4" O.D. x 1/4" Thick)
18	870 0302	Nut, Locking (5/16 - 24)
19	850 0055	Washer, Spring Lock (17/16")
20	134 3008	Guard, Flywheel
21	104 0170	Screw, Hex Head Cap (17/16 - 14 x 4")
22	518 0014	Ring, Retaining - Crankshaft Gear Washer
23	105 0004	Washer, Camshaft Gear Thrust
24	104 0042	Washer, Crankshaft Gear Retainer
25	104 0986	Crankshaft
26	815 0002	Machine Screw, Truss Head
27	821 0014	Screw, Hex Head Cap, Locking (5/16 - 18 x 1/2")
28	150 1257	Spacer, Governor Flywheel
29	150 0077	Plate, Governor Flyball
31	515 0027	Key, Kit

REPAIR PARTS

ROPER 18T TWIN-GARDEN TRACTOR-MODEL NO. T832BAR
ONAN ENGINE-MODEL NO. B48M-GAO18/3417A

GEAR COVER, OIL BASE AND
OIL PUMP GROUP

ALL ENGINE PARTS MUST BE
PURCHASED THROUGH AND SER-
VICE PERFORMED BY YOUR LO-
CAL ONAN DEALER.



REPAIR PARTS

ROPER 18T TWIN-GARDEN TRACTOR-MODEL NO. T832BAR
ONAN ENGINE-MODEL NO. B48M-GAO18/3417A

GEAR COVER, OIL BASE
AND OIL PUMP GROUP

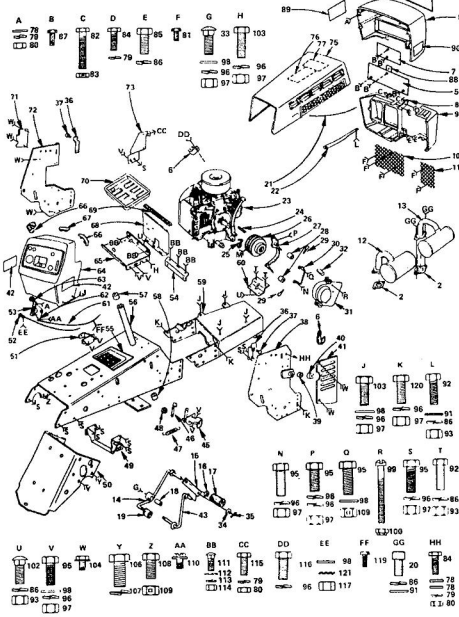
KEY NO.	PART NO.	DESCRIPTION
1	103 0493	Cover, Assembly, Gear (Includes Parts Max'ed)
2	510 0105	Bearing, Governor Shaft
3	150 1470	Shaft and Arm Assembly, Governor
4	150 1187	Yoke, Governor Shaft
5	815 0045	Screw, Yoke Retaining
6	516 0130	Pin, Governor Cup Stop
7	509 0009	Spool, Oil - Governor Shaft
8	510 0014	Ball, Bearing - Governor Shaft
9	309 0040	* Seal, Cover Cover
10	103 0405	* Gasket, Gear Cover
12	123 1292	Cap and Indicator, Oil Fill
13	103 0033	Gasket, Oil Base Mounting
14	505 0056	Plug, Oil Drain
15		BASE, OIL
	102 0741	For Engines With Extended Oil Drain
16	120 0140	Spring, Oil By-Pass Valve
17	801 0050	Screw, Hex Head Cap (3/8 - 24 x 1") - Oil By-Pass Valve
18	120 0398	Valve, Oil By-Pass
19	120 0481	Pump, Oil - Complete (NOTE: Internal parts not sold separately)
20	120 0713	Intake, Oil Pump (Includes: Cup, Screen and Pin)
21	120 0161	Gasket, Oil Pump
22	850 0050	Washer, Spring Lock (3/8")
23	850 0049	Washer, Spring Lock (1/4")
24	526 0056	Washer, Flat - Copper (21/64" I.D. x 9/16" O.D. x 1/16" Thick)
28	505 0178	Nipple, Pipe - Oil Drain (1/2 x 3/4")
29	505 0158	Cap, Pipe (1/2")
36	526 0056	Washer, Flat - Copper (25/64" I.D. x 9/16" O.D. x 1/16" Thick) - By-Pass Valve
37	800 0056	Screw, Hex Head Cap (3/8 - 16 x 2 - 1/2")
38	800 0032	Screw, Hex Head Cap (5/16 - 18 x 1 - 3/4") - Gear Cover Mounting
38	800 0545	Screw, Hex Head Cap (5/16 - 18 x 2 - 3/4") - Gear Cover Mounting
39	800 0007	Screw, Hex Head Cap (1/4 - 20 x 1")

* Included in Gear Cover Assembly.
* Included in Gasket Kit, page 29.

REPAIR PARTS

ROPER 18T TWIN-GARDEN TRACTOR-MODEL NO. T8328BR

MAIN FRAME, DASH AND GRILL



REPAIR PARTS

ROPER 18T TWIN-GARDEN TRACTOR-MODEL NO. T8328BR

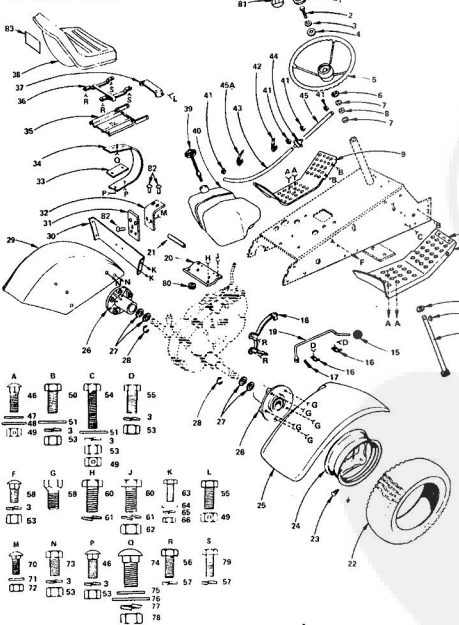
MAIN FRAME, DASH AND GRILL

Table with 2 columns: KEY PART NO. and DESCRIPTION. Lists parts such as Grill, Gasket, Decal, Grill Panel, and various nuts and bolts.

REPAIR PARTS

ROPER 18T TWIN-GARDEN TRACTOR-MODEL NO. T8328BR

STEERING AND FINAL DRIVE



REPAIR PARTS

ROPER 18T TWIN-GARDEN TRACTOR-MODEL NO. T8328BR

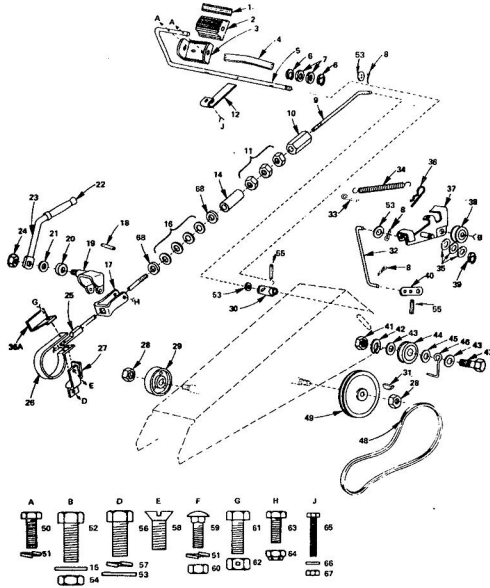
STEERING AND FINAL DRIVE

Table with 2 columns: KEY PART NO. and DESCRIPTION. Lists parts such as Steering Wheel Insert, Lockwasher, Washer, Steering Wheel, and various nuts and bolts.

REPAIR PARTS

ROPER 18T TWIN-GARDEN TRACTOR-MODEL NO. T8328BR

BRAKE AND CLUTCH



REPAIR PARTS

ROPER 18T TWIN-GARDEN TRACTOR-MODEL NO. T8328BR

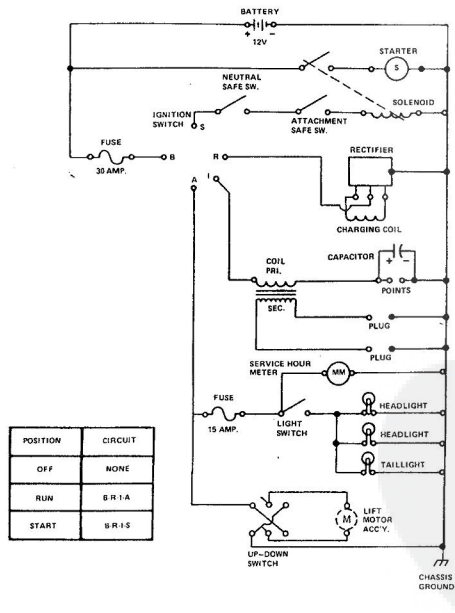
BRAKE AND CLUTCH

KEY NO.	PART NO.	DESCRIPTION	KEY NO.	PART NO.	DESCRIPTION
1	8999R	Insert Clutch Brake	37	634A75A	Idle Bracket Weldment
2	882R	Foot Pedal	38	8635H	Idle
3	8765H	Foot Pedal Bracket	39	5002P	E-Ring
4	9028H	Spring	40	634A986	Steering Arm Assembly
5	111J	Spring	41	580P	Hex Nut 7/16 - 14 UNC
6	5001P	E-Ring	42	1001P	Lockwasher 7/16
7	1527P	Washer 21/32 x 7/8 x 16 Ga.	43	1544P	Washer 15/32 x 15/16 x 16 Ga.
8	2505P	Cotter Pin 1/8 x 3/4	44	6635H	Flat Idle
9	2201R	Brake Rod - Front	45	1502P	Washer 15/32 x 15/16 x 11 Ga.
10	6417H	Lumbrack	46	6479H1	Ball Finger
11	501P	*Hex Nut 3/8 - 16 UNC	47	2262P	Hex Bolt 7/16 - 14 x 2 - 1/2
12	7922R	Safety Start Actuator	48	2622R	V-Bolt
14	2201R	Brake Rod - Front	49	6461H2	Pulley, Transmission
15	1557P	Washer 13/32 x 13/16 x 11 Ga.	50	3001P	Hex Bolt 1/4 - 20 x 3/4
16	7262R	Sprng Washer	51	1002P	*Lockwasher 1/4
17	9666R	Parking Brake Yoke	52	2022P	*Fin. Hex Bolt 3/8 - 24 x 1
18	175H	Roll Pin	53	1513P	Washer 15/32 x 13/16 x 18 Ga.
19	634A887	Lock Bracket Assembly	54	548P	*Hex Jam Nut 3/8 - 24 UNF
20	2221R	Parking Brake Spacer	55	5142H	Roll Pin
21	5959H	Sprng Washer	56	3072P	Hex Bolt 3/8 - 16 x 7/8
22	4319H	Handle Grip	57	1004P	*Lockwasher 3/8
23	634A341	Parking Lock Handle Assembly	58	3164P	Fin. Hex Machine Screw - Undercut 3/8 - 16 x 3/4
24	7810H	Grnpco Centerlock Nut 3/8 - 24 UNF	59	111P	Sq. Neck Carriage Bolt 1/4 - 20 x 5/8
25	634A985	Brake Band and Lining	60	502P	*Lockwasher 1/4 - 20 UNC
26	673A211	Lock Nut 1/2 - 20 UNC	61	3156P	Hex Bolt 5/16 - 18 x 7/8
27	634A168	Brake Bracket Assembly	62	1885H	Lockwasher 5/16 - 18 UNC
28	9204H	Lock Nut 1/2 - 20 UNC	63	3244P	Hex Bolt 1/4 - 28 x 5/8 Gr. 5
29	214J	Brake Drum	64	9071H	Headlock Nut 1/4 - 28 UNF
30	634A699	Brake Arm Assembly	65	3326P	Hex Hd. Mach. Screw 6 - 32 x 1
31	9858M1	Woodruff Key	66	1567P	Washer 5/32 x 3/8 x 20 Ga.
32	2514P	Cotter Pin 1/4 x 1	67	562P	Centerlock Nut 5/8 - 32 UNC
33	6486R	Churn Key	68	1602P	Washer 13/32 x 5/8 x 11 Ga.
34	1587P	*Washer 17/32 x 1 - 1/16 x 21 Ga.			
35	4839H	Retainer Spring			
36A	544J	Hose Shield			

REPAIR PARTS

ROPER 18T TWIN-GARDEN TRACTOR-MODEL NO. T8328BR

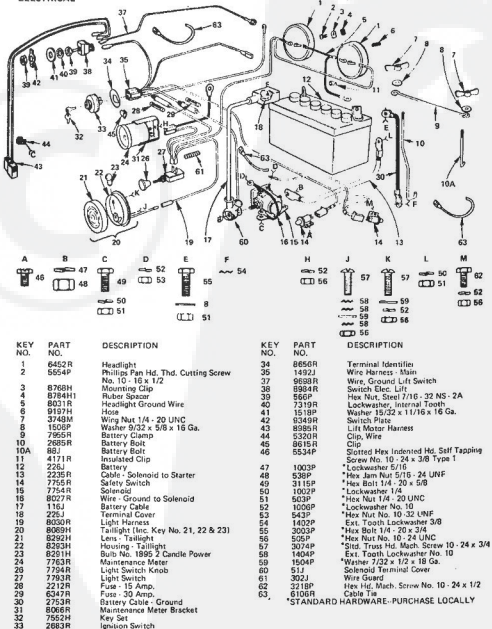
SCHEMATIC DIAGRAM



REPAIR PARTS

ROPER 18T TWIN-GARDEN TRACTOR-MODEL NO. T8328BR

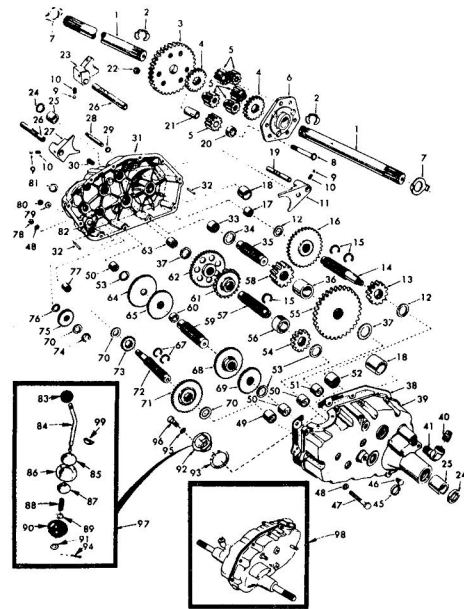
ELECTRICAL



REPAIR PARTS

ROPER 18T TWIN-GARDEN TRACTOR-MODEL NO. T8328BR

TRANSAXLE



REPAIR PARTS

ROPER 18T TWIN-GARDEN TRACTOR-MODEL NO. T8328BR

TRANSAXLE

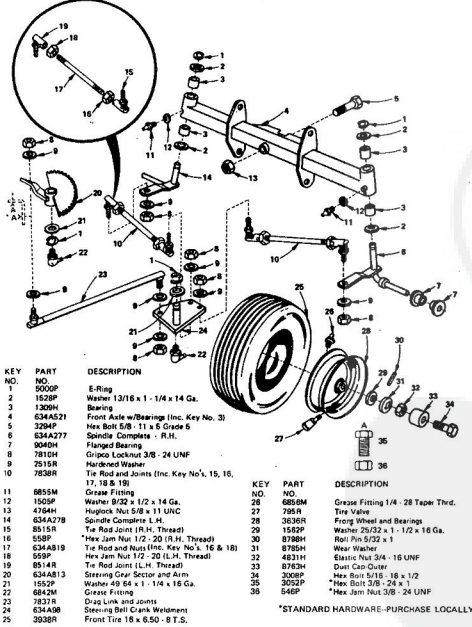
KEY NO.	PART NO.	DESCRIPTION	KEY NO.	PART NO.	DESCRIPTION
1	4197R	Axle Shaft	49	4895H	Needle Bearing
2	5869R	Retaining Ring	50	4222R	Needle Bearing
3	4199R	Final Drive Gear	51	1207H	Needle Bearing
4	4216R	Differential Gear	52	8119M	Needle Bearing
5	4216R	Differential Pinion	53	4220R	Thrust Bearing Race
6	4217R	Differential Carrier	54	4209R	3rd Reduction Pinion - Low
7	6264R	Axle Thrust Washer	55	4213R	4th Reduction Gear
8	3056P	Hex Bolt 3/8" - 24 UNF x 3 - 1/4 (17" Thread Length)	56	4442R	3rd Reduction Pinion Spacer
9	7392M	Steel Ball	57	4199R	2nd Reduction Gear Shaft
10	6272H	Spring Shift Fork Detent	58	6447R	Final Drive Pinion
11	6968R	Shift Fork - High - Low Range	59	4194R	1st Reduction Gear Shaft
12	6266H	Thrust Bearing Race	60	7328R	1st Reduction Shaft Spacer
13	4212R	4th Reduction Pinion	61	4208R	3rd Reduction Pinion - High
14	4198R	3rd Reduction Gear Shaft	62	4207R	2nd Reduction Gear
15	6276H	Snap Ring - Craxent Type	63	7385H	Needle Bearing
16	633A63	High - Low Range Gears	64	4203R	Low Speed Gear and 2nd Reduction Pinion Cluster
17	8118M	Needle Bearing	65	4204R	Reverse Gear
18	8740H1	Sintered Iron Bearing	67	4828H	Snap Ring - Craxent Type
19	6271H	Shift Fork Shaft, High - Low Range	68	4206R	Intermediate Speed Gear
20	4218R	Differential Pinion Spacer	69	4206R	High Speed Gear
21	6252H1	Differential Pinion Bushing	70	1202H	Thrust Bearing Race
22	7810H	Gilco Centerlock Hex 3/8" - 24 UNF	71	633A69	Intermediate and High Speed Cluster Pinions
23	4868R	Shift Fork - L.H.	72	4193R	Input Shaft
24	7393R	Oil Seal	73	4201R	Low Speed Pinion
25	8927R1	Sintered Iron Bearing	74	5001P	E-Ring
26	6216H	Shift Fork - R.H.	75	1153R	Reverse Idler Gear
27	6215H	Shift Fork - High - Low Range	76	7922H	Reverse Idler Thrust Washer
28	6269H	Oil Seal	77	5629H	Needle Bearing
29	5855H	Pressure Relief Valve	78	6047R	Hex Nut 5/16" - 18 UNC
30	633A65	Gearcase, Reverse Idler Shaft and Bearings - R.H. (Inc. Key No. 1, 17, 18, 25, 23, 50, 53, 76, 77 and 82)	79	1167R	Sealing Washer
31	633A65	Gearcase and Bearings - L.H. (Inc. Key No. 1, 17, 18, 25, 23, 50, 53, 76, 77 and 82)	80	641P	Hex Jam Nut 7/16" - 20 UNF
32	6277H	Dowel Pin	81	6270H	Oil Seal
33	4223R	Needle Bearing	82	7384H	Reverse Idler Shaft
34	7398H	Thrust Bearing Race	83	6354H	Control Knob
35	4198R	4th Reduction Gear Shaft	84	8551R	Gear Shift Lever - Bent
36	4200R	4th Reduction Gear Spacer	85	9013R	Gear Shift Cap
37	7394H	Thrust Bearing Race	86	633A65	Gear Shift Ball Cover and Pin
38	6275H	Gearcase Gasket	87	8729H1	Gear Shift Ball Cover and Pin
39	633A64	Gearcase and Bearings - L.H. (Inc. Key No. 1, 17, 18, 25, 41, 50 (2), 51 and 52)	88	4924H	Spring
40	4002P	Pin Plug 1/2" - 14 N.P.T.	89	8105R	Washer 8/16 x 15/16 x 11 Ga.
41	4003P	Pin Plug 9/16" - 12 - 1/4 N.P.T.	90	7869R	Gear Shift Gear
42	8211H	Oil Seal	91	6274H	Gear Shift Cover Gasket
43	4001P	Pin Plug 1/4" - 18 N.P.T.	94	2205P	Clutch 1/8 x 3/4
44	3087P	*Hex Bolt 5/16" - 18 x 1 - 1/2 Grade 5	95	1039R	Lockwasher 5/16
45	1007P	Lockwasher 5/16 Extra Heavy	96	3159P	Hex Bolt 5/16" - 18 UNC x 7/8
			97	633A62	Gear Shift Lever Assy
			98	633A78	Transaxle Assembly Lens Brake Drum
			99	7835M	*Shift Lever Woodruff Key 1/8 x 1/2

*STANDARD HARDWARE-PURCHASE LOCALLY

REPAIR PARTS

ROPER 18T TWIN-GARDEN TRACTOR-MODEL NO. T8328BR

FRONT AXLE

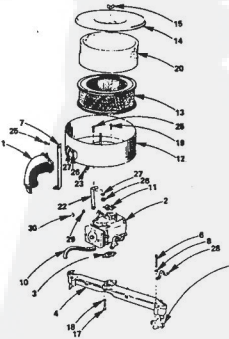


REPAIR PARTS

ROPER 18T TWIN-GARDEN TRACTOR-MODEL NO. T8328BR
ONAN ENGINE-MODEL NO. B49M-GAD18/5560A

FUEL SYSTEM GROUP

ALL PARTS MUST BE PURCHASED THROUGH AND SERVICE PERFORMED BY YOUR LOCAL ONAN DEALER.



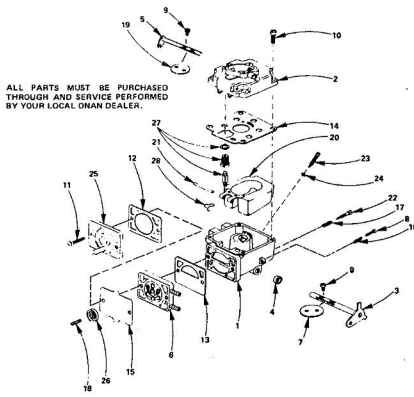
KEY NO.	PART NO.	DESCRIPTION	KEY NO.	PART NO.	DESCRIPTION
1	140-1169	Tube, Air Intake (Air Cleaner to Blower Housing)	15	865-0020	Nut, Wing - Air Cleaner (1/4" - 20)
2	142-0568	Tube, Carburetor Mounting (with Integral Fuel Pump)	17	800-0023	Screw, Hex Head Cap (1/4" - 20 x 1-3/8")
3	145-0438	Gaskets, Carburetor Mounting	18	860-0040	Washer, Staking Lock (1/4")
4	154-1468	Manifold, Intake	19	915-0483	Screw, Round Head with Nylon Seal (No. 10 - 32 x 5/8")
5	800-0033	Screw, Hex Head Cap 5/16" - 18 x 2	20	140-1213	Washer, Air Cleaner Support (No. 10 - 32 x 5/8")
6	800-0034	Screw, Hex Head Cap 5/16" - 18 x 2 - 1/4	21	518-0028	Clutch, Bracket, Cable
7	140-1198	Support, Air Cleaner	22	800-0023	Screw, Hex Head Cap (1/4" - 20 x 1/2")
8	850-0045	Washer, Spring Lock (5/16")	23	862-0001	Nut, Hex - Steel (1/4" - 20)
9	503-0740	Hose, Fuel Pump Vacuum	24	853-0013	Washer, Lock - ET (1/4")
10	140-1215	Gasket, Air Cleaner Mfg.	25	423-1480	Bracket, Lifting
11	140-1215	Gasket, Air Cleaner Mfg.	26	854-0275	Washer, Lock - IT (5/16")
12	140-1213	Housing, Air Cleaner	30	870-0275	Nut, Hex (7/16 - 14)
13	140-1218	Blower, Air Cleaner			
14	140-1168	Cover, Air Cleaner			

* See repair manual for dimensions. * Included in Gasket Kit, page 29.

REPAIR PARTS

ROPER 18T TWIN-GARDEN TRACTOR-MODEL NO. T8328BR
ONAN ENGINE-MODEL NO. B48M-GA018/3560A

CARBURETOR PARTS GROUP



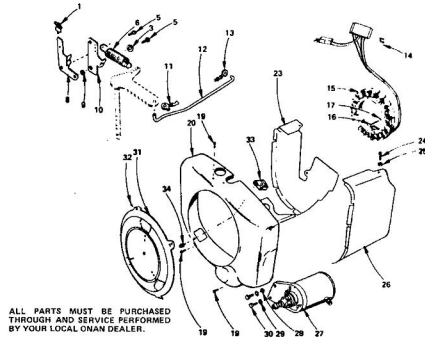
ALL PARTS MUST BE PURCHASED THROUGH AND SERVICE PERFORMED BY YOUR LOCAL ONAN DEALER.

KEY NO.	PART NO.	DESCRIPTION	KEY NO.	PART NO.	DESCRIPTION
1	1420568	Carburetor Assembly, Complete	17	1420282	*Spring, Idle Needle
2	1420574	Body Assembly, Lower	18	1420546	*Spring, Pump Diaphragm
3	1420573	Float Assembly	19	1420548	Fly, Choke
4	1420534	*Shaft Assembly, Throttle	20	1420547	Float and Lever Assembly
5	1420535	*Washing, Shaft	21	1420540	*Shaft, Float Lever
6	1420536	*Shaft Assembly, Choke	22	1420018	*Needle, Idle
7	1420537	*Valve Flap Assembly	23	1420549	Needle Assembly, Power
8	1420064	Screw, Throttle Stop	24	1420550	*Gasket, "O" Ring
9	1420334	Screw, Fly Mounting	25	1420551	Cover, Pump
10	1420539	Screw, Bowl Cover Mounting	26	1420552	*Hose, Pump Spring
11	1420540	Screw, Pump Cover	27	1420553	*Valve Assembly, Float
12	1420541	*Gasket, Base to Diaphragm	28	1420554	Clip, Float Valve
13	1420542	*Gasket, Plate to Base	1420571	*Gasket Set (Includes Parts Marked *)	
14	1420572	*Gasket, Sower Assembly to Base	1420570	Repair Kit (Includes Parts Marked *)	
15	1420555	*Diaphragm, Pump			
16	1420544	*Spring, Throttle Stop Screw			

REPAIR PARTS

ROPER 18T TWIN-GARDEN TRACTOR-MODEL NO. T8328BR
ONAN ENGINE-MODEL NO. B48M-GA018/3560A

GOVERNOR, STARTER, CHARGING ALTERNATOR AND BLOWER HOUSING GROUP



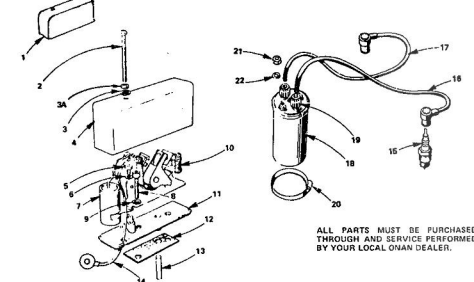
ALL PARTS MUST BE PURCHASED THROUGH AND SERVICE PERFORMED BY YOUR LOCAL ONAN DEALER.

KEY NO.	PART NO.	DESCRIPTION	KEY NO.	PART NO.	DESCRIPTION
1	1530514	Clip, Throttle Cable	19	8150261	Screw, Hex Head Cap (1/4" - 20 x 7/16")
3	5550014	Flat Washer 1/2" I.D. x 1/2" x 7/16"	20	134-3749	Housing, Blower
5	8150438	Screw, Hex Cap - Flange Locking (1/4" - 20 x 1/2)	22	134-2889	Housing, Cylinder Air - Left
6	150-1214	Bracket, Governor Mounting	24	8150250	Screw, Hex Head Cap (1/4" - 20 x 3/4" O.D. x 1 1/16" Thread)
8	150-1725	Spring, Governor	25	5260021	Washer, Flat Steel (1 1/8" I.D. x 3/4" O.D. x 1 1/16" Thick)
9	150-1209	Bushing, Governor Control	26	134-3400	Housing, Cylinder Air - Right
10	150-1576	Arm, Governor Control	27	191-0933	Starter, 12 Volt (For Components see separate group)
11	870-0278	Clip, Governor Control Rod to Governor Arm	28	5260113	Washer, Flat Steel (1 1/32" I.D. x 1" O.D. x 3/32" Thick)
12	150-1350	Rod, Governor Control	29	850-0045	Washer, Spring Lock (5/16" x 5/16" 18 x 1")
13	818-0004	Clip, Governor Control Rod to Carburetor	30	800-0028	Screw, Hex Head Cap (5/16" 18 x 1")
14	167-0188	Clip, Alternator Lead Support	31	134-3213	Guard, Blower Housing (No. 14 x 1 1/2")
15	191-1216	Stator, Charging Alternator	32	8150378	Screw, Int'l Hex Head w/ET (No. 14 x 1 1/2")
16	813-0143	Sorensen Round Head - Steel No. 10 - 22 x 1 - 3/8"	33	191-1208	Regulator, Alternator (15 Amp)
17	850-0030	Washer, Lock (No. 10)	34	821-0010	Screw, Hex Head Cap (1/4" - 20 x 1/2)

REPAIR PARTS

ROPER 18T TWIN-GARDEN TRACTOR-MODEL NO. T8328BR
ONAN ENGINE-MODEL NO. B48M-GA018/3560A

IGNITION GROUP



ALL PARTS MUST BE PURCHASED THROUGH AND SERVICE PERFORMED BY YOUR LOCAL ONAN DEALER.

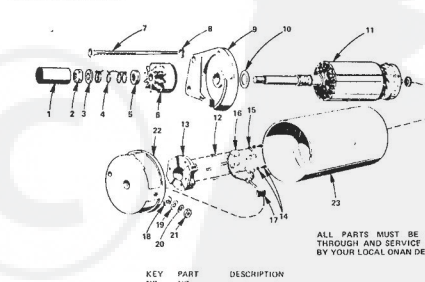
KEY NO.	PART NO.	DESCRIPTION
1	160-1210	Box Assembly, Breaker (Includes Parts Marked *)
2	812-0108	*Screw, Machine - Round Head (No. 14 x 1 - 1/2")
3	528-0008	*Washer, Flat (1 3/8" I.D. x 7/16" O.D. x 1/32" Thick)
3A	509-0065	*Retainer, "O" Ring
4	100-1232	*Cover, Breaker Box (Includes parts marked *)
5	815-0358	*Screw, Tapping - Hex Head (No. 8 - 32 x 5/16")
6	850-0025	*Washer, Lock - Spring (No. 8)
7	312-0189	*Condenser, Ignition
8	802-0034	*Screw, Cap - Socket Head (1/4" - 20 x 3/4")
9	850-0038	*Washer, Lock - Spring - High Collar (1/4")
10	160-1163	*Point Assembly, Breaker
11	160-1219	*Base, Breaker Box
12	160-1150	*Gasket, Breaker Box
13	100-1151	*Plunger, Breaker Point Assembly
14	338-2378	Lead, Breaker Points to Coil Plug, Spark
15	162-0208	Plug, Spark
16	167-1595	Capacitor, Spark Plug (1 7/8")
17	102-1598	Capacitor, Spark Plug (1 1/2")
18	166-0536	Coil, Ignition
19	160-0804	Wind. Coil Cable (Part of 166-0536 Coil)
20	501-0311	Clamp, Coil Mounting
21	166-0554	Nut, Hex
22	800-2005	Washer, Lock

*PARTS INCLUDED IN 160-1210 BREAKER BOX ASSEMBLY.
*INCLUDED IN GASKET KIT 168-0130.
*INCLUDED IN 100-1232 COVER

REPAIR PARTS

ROPER 18T TWIN-GARDEN TRACTOR-MODEL NO. T8328BR
ONAN ENGINE-MODEL NO. B48M-GA018/3560A

STARTER PARTS GROUP



ALL PARTS MUST BE PURCHASED THROUGH AND SERVICE PERFORMED BY YOUR LOCAL ONAN DEALER.

KEY NO.	PART NO.	DESCRIPTION
1	191-0933	Starter, 12 Volt (Complete)
2	191-0934	Cover, Gear
3	191-1045	Nut, Snap
4	191-1046	Washer, Snap Nut
5	191-1005	Spring, Return
6	191-1047	Spacer, End Cover
7	191-1026	Drive Assembly
8	191-1048	Screw, Hex Cap
9	850-0040	Washer, Lock
10	191-1039	Cap. Assembly, End End
11	191-1038	Washer, Annular - Thread
12	191-1039	Annular
13	A	*Spring, Bleed
14	A	*Bushing, Hub to Housing
15	A	*Bushing, End Cover
16	A	*Screw and Nut to Housing
17	A	*Screw and Nut to Housing
18	A	*Washer, Insulation - Insulated Shaft
19	A	*Washer, Flat - Insulated Shaft
20	A	*Washer, Lock - Insulated Shaft
21	A	*Nut, Insulated Shaft
22	191-1040	Cap. Assembly, Commutator - Insulated Parts Marked (*)
23	A	Housing, Starter Motor
191-1041		Hubcap - 1/2" Thick - Snap and Start (Includes Parts Marked *)

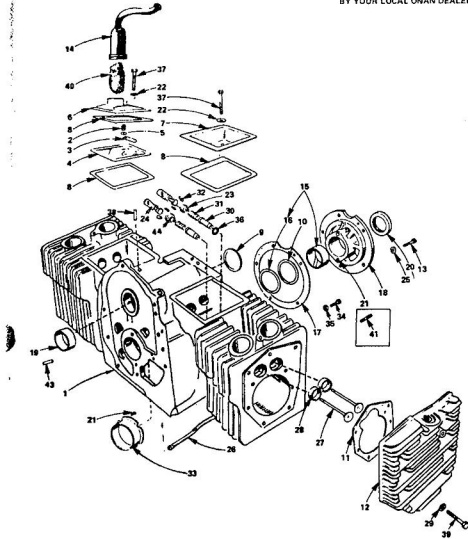
* Included in the 191-1040 Cap. Assembly.
* Included in the 191-1041 Hubcap, Snap and Start Kit.
A Not Sold Separately.

REPAIR PARTS

ROPER 18T TWIN-GARDEN TRACTOR-MODEL NO. T8328BR
ONAN ENGINE-MODEL NO. B48M-GA018/3560A

CYLINDER BLOCK GROUP

ALL PARTS MUST BE PURCHASED THROUGH AND SERVICE PERFORMED BY YOUR LOCAL ONAN DEALER.



REPAIR PARTS

ROPER 18T TWIN-GARDEN TRACTOR-MODEL NO. T8328BR
ONAN ENGINE-MODEL NO. B48M-GA018/3560A

CYLINDER BLOCK GROUP

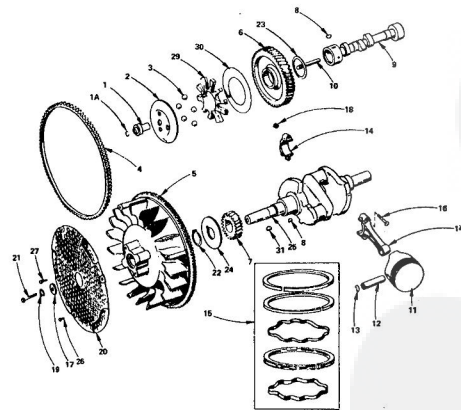
KEY NO.	PART NO.	DESCRIPTION	KEY NO.	PART NO.	DESCRIPTION
1	110 2500	Block Assembly, Cylinder (Includes Part Marked †)	28		INSTR. VALVE SEAT
2	123 1134	Spring, Breather Valve		110 1824	†Standard
3	123 1175	Valve, Breather		110 1824 02	002" Oursize
4	123 1172	Baffle, Breather		110 1824 05	005" Oursize
5	526 001B	Washer, Flat, Steel (17/64" I.D. x 5/8" O.D. x 1/16" Thick)		110 1824 10	010" Oursize
6	110 2274	Cover, Valve Compartment (L.H.)		110 1824 25	025" Oursize
7	110 1879	Cover, Valve Compartment (R.H.)		110 0197	†Standard
8	110 1921	†Gasket, Valve Cover		110 0197 02	002" Oursize
9	517 0048	Plug, Extension - Camshaft		110 0197 05	005" Oursize
10	104 0775	15Hm. Rear Bearing Plate (1.005")		110 0197 10	010" Oursize
11	110 0892	†Gasket, Cylinder Head		110 0197 25	025" Oursize
12		HEAD, CYLINDER			
	110 2564	Block, Side (No. 2 Cylinder)	29	25640122	Washer, Flat, Steel (11/32" I.D. x 23/32" O.D. x 10 Gauge)
	800 2563	Left Side (No.1 Cylinder)	30	110 1807	†Gudge, Valve
13	800 0251	†Screw, Hex Head Cap-Steel (3/8 - 16 x 1 - 1/4")	31	110 0530	Spring, Valve
14	123 1277	Tube, Breather	32	110 0639	Lock, Valve and Spring Retainer
15		BEARING, CRANKSHAFT - REAR (INCLUDES THRUST WASHER)	33		BEARING, CRANKSHAFT - FRONT (FLANGES)
	101 0450	†Standard		101 0432	†Standard
	101 0450 02	002" Oursize		101 0432 02	002" Oursize
	101 0450 10	010" Oursize		101 0432 10	010" Oursize
	101 0450 20	020" Oursize		101 0432 20	020" Oursize
	101 0450 30	030" Oursize		101 0432 30	030" Oursize
16	104 0575	†Washer, Crankshaft Bearing Thrust	34	800 0046	Screw, Hex Head Cap (3/8 - 16 x 2 1/4")
17	101 0415	†Gasket, Bearing Plate	35	526 0066	Washer, Flat, Copper (25/64" I.D. x 9/16" O.D. x 1/16" O.D.)
18	101 0439	†Plate, Bearing (Excludes Bearings)	36	110 0058	†Gasket, Valve Guide (Inlet)
19	101 0405	†Bearing, Camshaft (Precision)	37	800 0010	Screw, Hex Head Cap (1/4 - 20 x 1 - 3/4")
20	509 0541	†Seal, Bearing Plate	38	149 1299	†Tube, Fuel Pump Vacuum
21	516 0072	Pin, Main Bearing Stop	39	800 0540	SCREW, HEX HEAD CAP (1/8 - 18 x 2")
22	526 0053	Washer, Flat - Copper (17/64" I.D. x 7/16" O.D. x 1/32" Thick)	40	123 8855	Filter, Breather Fuel
23	110 0893	Retainer, Valve - INTAKE	41	520 0820	Stud, Cylinder Block Wet Hole (Lower)
24	115 0006	Standard	42	516 0141	Pin, Dowel (Gear Cover Align)
	115 0006 02	002" Oursize	43	110 0804	Rotopop - Exhaust Valve
	115 0006 05	005" Oursize			
25	800 0950	†Washer, Lock (3/8")			
26	120 0735	†Tube, Crankcase Oil			
27	110 1808	Intake			
	110 1809	Exhaust			

REPAIR PARTS

ROPER 18T TWIN-GARDEN TRACTOR-MODEL NO. T8328BR
ONAN ENGINE-MODEL NO. B48M-GA018/3560A

CRANKSHAFT, FLYWHEEL, CAMSHAFT AND PISTON GROUP

ALL PARTS MUST BE PURCHASED THROUGH AND SERVICE PERFORMED BY YOUR LOCAL ONAN DEALER.



REPAIR PARTS

ROPER 18T TWIN-GARDEN TRACTOR-MODEL NO. T8328BR
ONAN ENGINE-MODEL NO. B48M-GA018/3560A

CRANKSHAFT, FLYWHEEL, CAMSHAFT AND PISTON GROUP

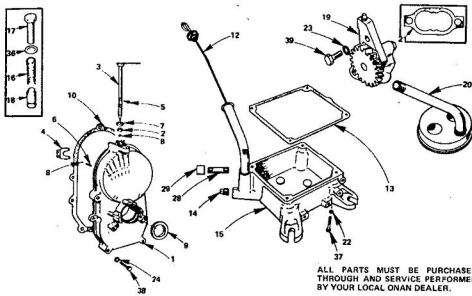
KEY NO.	PART NO.	DESCRIPTION
1	150 1518	Hub
1A	150 0078	Ring, Camshaft Center Pin
2	150 1520	Cap, Governor
3	510 0015	Ball, Fly - Governor
4	104 0779	Gear, Ring - Flywheel
5	134 3494	Flywheel (Includes Ring Gear and Magnet Ring)
6	105 0232	Gear, Camshaft (Includes Flyball Sprocket and Pin)
7	104 0032	Gear, Crankshaft
8	515 0001	Key (1/2" Diameter x 1 1/8")
9	105 0402	Camshaft (Includes Center Pin)
10	150 0075	Pin, Camshaft Center
11		PISTON AND PIN (INCLUDES RETAINING RINGS)
	112 0151	Standard
	112 0151 05	005" Oursize
	112 0151 10	010" Oursize
	112 0151 20	020" Oursize
	112 0151 30	030" Oursize
	112 0151 40	040" Oursize
12	112 0122	Pin, Piston
13	518 0311	Ring, Piston Pin Retaining
14		ROD ASSEMBLY, CONNECTING
	114 0257	Standard
	114 0257 10	010" Oursize
	114 0257 20	020" Oursize
	114 0257 30	030" Oursize
15		RING SET, PISTON
	113 0189	Standard
	113 0189 05	005" Oursize
	113 0189 10	010" Oursize
	113 0189 20	020" Oursize
	113 0189 30	030" Oursize
	113 0189 40	040" Oursize
16	114 0240	Bolt, Special - Connecting Rod
17	526 0017	Washer, Flat, Steel (15/32" I.D. x 1 - 1/4" O.D. x 1/4" Thick)
18	870 0302	Nut, Locking (5/16 - 24)
19	890 0955	Washer, Spring Lock (7/16")
20	134 3508	Guard, Flywheel
21	104 0170	Screw, Hex Head Cap (7/16 - 14 x 4")
22	518 0014	Ring, Retaining - Crankshaft Gear
23	105 0004	Washer, Crankshaft Gear Thrust
24	104 0063	Washer, Crankshaft Gear Retainer
25	104 0896	Crankshaft
26	515 0400	Machine Screw - Trust Head
27	821 0014	Screw, Hex Head Cap - Locking Flange (5/16 - 18 x 1/2")
28	150 1257	Sector, Governor Flywheel
29	150 0071	Pin, Governor Flywheel
31	515 0227	Key, Key

Click Here to upgrade to Unlimited Pages and Expanded Features

REPAIR PARTS

ROPER 18T TWIN-GARDEN TRACTOR-MODEL NO. T8328BR
ONAN ENGINE-MODEL NO. E48M-GA018/3560A

GEAR COVER, OIL BASE AND OIL PUMP GROUP



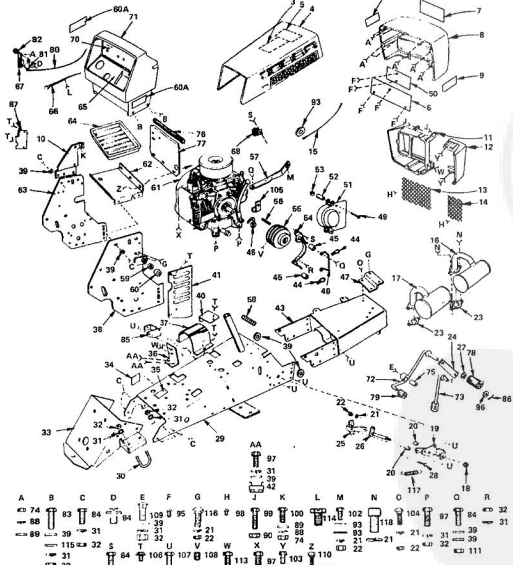
ALL PARTS MUST BE PURCHASED THROUGH AND SERVICE PERFORMED BY YOUR LOCAL ONAN DEALER.

KEY NO.	PART NO.	DESCRIPTION	KEY NO.	PART NO.	DESCRIPTION
1	103 0498	Cover Assembly, Gear (Includes Parts Mark'd)	21	120-0161	Gasket Kit, Oil Pump
2	510-0105	Bearing, Governor Shaft	22	850-0050	Washer, Spring Lock (3/8")
3	150-1470	Shaft and Arm Assembly, Governor	23	850-0040	Washer, Spring Lock (1/4")
4	150-1187	Yoke Governor Shaft	24	526-0066	Washer, Flat - Copper (2 1/4") I.D. x 8/16" O.D. x 1/16" Thick
5	815-0048	Sever, Yoke Retaining	28	505-0176	Nipple, Pipe - Oil Drain (1/2 x 3-1/2")
6	516-0130	Pin, Governor Cup Stop	29	505-0158	Cap, Pipe (1/2")
7	509-0008	Seal, Oil Governor Shaft	36	526-0066	Washer, Flat - Copper (25/64" I.D. x 9/16" O.D. x 1/16" Thick) - By Pass Valve
8	510-0014	Bolt, Bearing Governor Shaft	37	800-0056	Screw, Hex Head Cap (3/8 - 16 x 2-1/2")
9	409-0040	Seal, Gear Cover	38	800-0032	Screw, Hex Head Cap (5/16 - 18 x 1-3/4") - Gear Cover Mounting
10	103-0408	Gasket, Gear Cover	38	800-0545	Screw, Hex Head Cap (5/16 - 18 x 2-3/4") - Gear Cover Mounting
12	123-1292	Cap and Indicator, Oil Fill	39	800-0007	Screw, Hex Head Cap (1/8 - 20 x 1")
13	102-0932	Gasket, Oil Base Mounting			
14	505-0056	Plug, Oil Drain			
15	103-0141	GASKET, OIL			
16	120-0140	Sealing, Oil By Pass Valve			
17	801-0050	Screw, Hex Head Cap (3/8 - 16 x 2-1/2") - Oil By Pass Valve			
18	120-0398	Valve, Oil By Pass			
19	120-0491	Pump, Oil - Ceramic (NOTE: Internal parts not sold separately)			
20	120-0713	Intake, Oil Pump (Includes: Cap, Screen and Seal)			

REPAIR PARTS

ROPER 18 TWIN HYDRO GARDEN TRACTOR-MODEL NO. T8338AR

MAIN FRAME, DASHBOARD AND GRILL



REPAIR PARTS

ROPER 18 TWIN HYDRO GARDEN TRACTOR-MODEL NO. T8338AR

MAIN FRAME, DASHBOARD AND GRILL

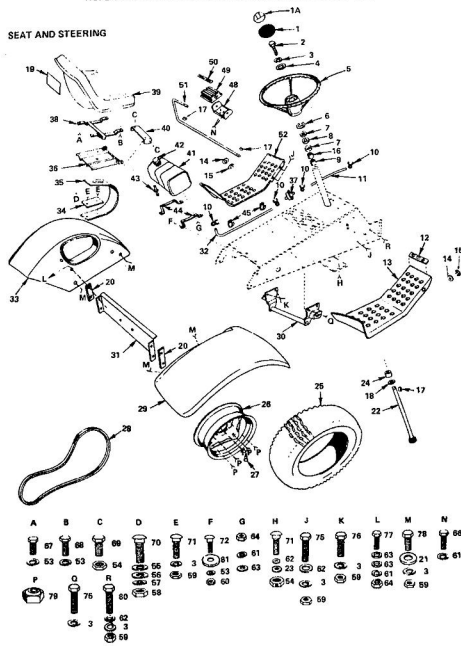
KEY NO.	PART NO.	DESCRIPTION	KEY NO.	PART NO.	DESCRIPTION
3	8028R	Decal - Maintenance	61	848M/GA018	Engine, Onan 18 H.P. Twin Cylinder
4	834A837	Hood Assembly	62	3475A	Battery Support
5	9890R	Decal - Wiring	63	150L3	Battery Support Bracket - L.H.
6	291J	Grill Panel - Lower	63	896J	Battery Tray
7	245J	Decal - Roper	65	896R	Decal - Lower Dash
8	911J	Lower Grill	66	8855R	Choke Control
9	246J	Decal - Roper	67	1520J	Throttle Control Lever
10	1151J	Rectifier Bracket	68	8775E1	Choke Control Clip
11	7537R	Lower Grill	70	9859R	Decal - Upper Dash
12	7538R	Grill Side	71	1123R	Dashboard
13	2874R	Grill Screen - L.H.	72	634A201	Pedal Weldment P.T.O.
14	2873R	Grill Screen - R.H.	73	634A203	Lower Weldment
15	8058R	Grill Cable	74	503P	Hex Nut 1/4 - 20 UNC
16	105J	Muffler - Front	75	91J	Pin, Spacer
17	105J	Muffler - Rear	76	7874R	Hood Seal
18	7810H	Griggs Centerlock Nut 3/8 - 24 UNF	77	8007R	Bracket, Rear Shroud
19	634A404	Bushing	78	92J	Rubber Foot
20	1689E	Lockwasher 5/16	79	257J	Foot Panel
21	1003P	*Lockwasher 5/16	80	1516J	Throttle Wire and Casing
22	506P	*Hex Nut 5/16 - 18 UNC	81	8204R	Throttle Cam
23	878J	Gasket - Exhaust Manifold	82	1516J	Throttle Control
24	95J	Gasket - Exhaust Manifold	83	3072P	*Hex Bolt 3/8 - 16 x 1-1/2
25	834A482	Switch Bracket Assembly	84	3022P	*Hex Bolt 3/8 - 16 x 1
26	634A481	Link	85	634A385	Front Hanger Weldment - L.H.
27	82J	Spool, Nut/Push-on	86	2506P	Dotter Pin 7/8 x 1
28	3013P	*Hex Bolt 5/16 - 18 x 1-1/2	87	86J	Cover - L.H.
29	634A204	Drift Assembly with Bushings (Inc. Key No. 1, 9 and 24, page 18)	88	1055P	Lockwasher 1/4
30	5068R	Lockwasher 3/8	89	1005H	Lockwasher No. 10
31	1004P	*Lockwasher 3/8	90	505P	*Nut No. 10 - 24 UNC
32	501P	*Hex Nut 3/8 - 18 UNC	91	1537P	*Washer 11/32 x 1 1/8 x 16 Ga.
33	834A638	Driveline Weldment	92	6055P	*Hex Shutoff Nut, Mach. Serv
34	8143R	Decal - By Pass Valve	93	505P	Washer 1/2 x 3/8
35	5028R	Decal - Parking Brake	94	505P	*Hex Shutoff Nut, Mach. Serv
36	5108R	Filter Mounting Bracket	95	5564P	*Nut No. 3/4 x 1/2
37	6204R	Oil Filter Shank	96	1545P	*Nut No. 3/4 x 1/2
38	634A603	Battery Support Bracket (Inc. Key No. 99)	97	3022P	*Hex Bolt 3/8 - 16 x 1-1/2
39	1613P	Washer 13/32 x 13/16 - 16 Ga.	98	5501P	*Cut-off Screw, Push-on Pin Hd. Thrd
40	811J	Neutral Adjustment Cover	99	3267P	*Hex Bolt 1/4 - 20 x 1-1/2
41	7229R	Cover - R.H.	100	3114P	*Hex Bolt 5/16 - 18 x 3/4
42	8115R	Retainer Nut 3/8 - 16 UNC	101	2011P	*Hex Bolt 5/16 - 18 x 3/4
43	634A604	Engine Mount Assembly	102	5010P	*Hex Bolt 5/16 - 18 x 3/4
44	4923M	Retainer Spring	103	5010P	*Hex Bolt 5/16 - 18 x 3/4
45	8704H	Retainer	104	5010P	*Hex Bolt 5/16 - 18 x 3/4
46	5621R	Bolt, Retainer	105	879J	Clip - Cable
47	95J	Lock Washer	106	5537P	Cutting Screw, Hex Washer Hd. Thrd
48	8745R	Bolt, Retainer Finger	107	3025P	1/4 - 20 x 1/2 Type 1
49	3164P	Machine Screw, Slotted Fillister Hd.	108	4540P	Set Screw, Hex Flange Socket Mallet
50	290J	Grill Panel - Upper	109	509P	Carriage Bolt 3/8 - 18 x 2 1/4
51	834A663	Bolt, Guard Weldment	110	53P	Carriage Bolt No. 10 - 24 x 1/2
52	8238H	Pin, Spacer	111	1538P	*Washer 7/8 x 1 1/8 x 16 Ga.
53	347H	Hexlock Nut 1/4 - 20 UNC	112	5348R	*Hex Bolt 1/4 - 20 x 3/4
54	634A602	Belt Guide Weldment	113	3040P	*Hex Bolt 1/4 - 20 x 3/4
55	634A605	Engine Pulley (Inc. Key No. 108)	114	5562P	8 Pan Hd. Tap Screw No. 8 x 3/4
56	8285E	Square Key 1/4 x 2	115	1517P	Washer 13/32 x 13/16 - 11 Ga.
57	875J	Grill Brace	116	3139P	*Hex Bolt 5/16 - 18 x 7/8
58	3025P	Wire Guard	117	7868R	Pin, Spring
59	7758R	Idle Bearing	118	3366P	Socket Hd. Cap Screw 5/16 - 18 x 3/4
60	8005R	Idle Shaft Cap			
60A	1308J	Decal			

*STANDARD HARDWARE-PURCHASE LOCALLY

REPAIR PARTS

ROPER 18 TWIN HYDRO GARDEN TRACTOR-MODEL NO. T8338AR

SEAT AND STEERING



REPAIR PARTS

ROPER 18 TWIN HYDRO GARDEN TRACTOR-MODEL NO. T8338AR

SEAT AND STEERING

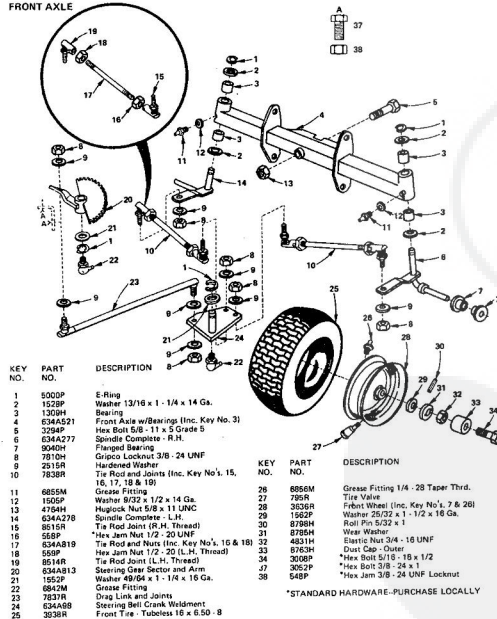
KEY NO.	PART NO.	DESCRIPTION	KEY NO.	PART NO.	DESCRIPTION
1	9719R	Steering Wheel Insert	41	2932R	Fuel Tank
1A	2361	Decal - Roper	42	7292R	Fuel Gauge
2	3022P	*Hex Bolt 3/8" x 16 x 1	43	815R	Fuel Line Fitting
3	1004P	*Lockwasher 3/8"	44	7050R	Bracket - Fuel Tank
4	1558P	Washer 7/16 x 1 x 10 Ga.	45	2751R	Clip - Fuel Line
5	2044R	Steering Wheel	46	8702H	Foot Rest Bracket
6	5003P	E-Ring	49	8882R	Foot Pedal
7	9003H	Cap	50	8883R	Insert - Clutch-Brake
8	5949H	Rubber Bushing	51	840J	Foot Rest Shaft
9	8468R	Bearing	52	8738R	Foot Rest - L.H.
10	6999R	Clamp - Fuel Line	53	1003P	*Lockwasher 5/16"
11	7833R	Fuel Line (Short)	54	5384H	Locknut 3/8" - 16 UNC
12	8900R	Decal (Attach. Clutch)	55	1578P	Washer 3/4 x 1 - 1/8 x 11 Ga.
13	7904R	Foot Rest - R.H.	56	1560P	Washer 17/32 x 1 - 1/2 x 11 Ga.
14	1527P	Washer 21/32 x 7/8 x 16 Ga.	57	1000P	*Lockwasher 1/2"
15	5001P	E-Ring	58	502P	*Hex Nut 1/2" - 13 UNC
16	7895R	Steering Shaft Spacer	59	501P	*Hex Nut 3/8" - 16 UNC
17	9858M1	Woodruff Key 3/16 x 5/8	60	504P	*Hex Nut 5/16" - 18 UNC
18	1553P	Washer 5/16 x 1 - 1/4 x 16 Ga.	61	1002P	*Lockwasher 1/4"
19	245J	Decal - Roper	62	1513P	Washer 13/32 x 13/16 x 16 Ga.
20	1185J	Spacer - Tailight Bracket	63	1505P	Washer 9/32 x 5/8 x 16 Ga.
21	1557P	Washer 3/25 x 13/16 x 11 Ga.	64	503P	*Hex Nut 1/4" - 20 UNC
22	634A77S	Steering Shaft & Pinion	65	3003P	*Hex Bolt 1/4" - 20 x 3/4
23	1519P	Washer 15/32 x 1 x 13 Ga.	67	3010P	*Hex Bolt 5/16" - 18 x 3/4
24	4785H	Bearing	68	3165P	*Hex Bolt 5/16" - 18 x 7/8
25	4601R	Rear Tire - Tubeless 23 x 10.00 - 12	69	3020P	*Hex Bolt 3/8" - 16 x 7/8 Gr. 5
26	3635R	Rear Wheel	70	81P	Carriage Bolt 1/2" - 13 x 1 - 1/4 Gr. 5
27	795R	Tire Valve	71	17P	*Carriage Bolt 5/16" - 18 x 1
28	5125R	V-Belt (Ground Drive)	72	3025P	*Hex Bolt 3/8" - 16 x 1 - 1/4
29	8428R	Fender - R.H.	73	3023P	*Hex Bolt 3/8" - 16 x 1
30	634B14	Hanger Weldment - Rear	74	3004P	*Hex Nut 1/4" - 20 x 1
31	2666R	Bracket - Tailight	75	3021P	*Hex Bolt 3/8" - 16 x 3/4
32	8545P	Fuel Line (Long)	76	5137R	Lug Nut
33	8177R	Fender - L.H.	77	5137R	*Hex Bolt 3/8" - 16 x 1-1/2
34	8141H	Seat Spring Reinforcement	78	3027P	*Hex Bolt 3/8" - 16 x 1-1/2
35	8404R	Seat Spring	79	81	Bracket Weldment
36	634A523	Seat Bracket Weldment	80	2557R	Fuel Line Filter
37	286J	Seat Bracket Weldment	81	1108J	Warranty Tag
38	634A532	Seat Bracket Weldment	---	1191J	Owners Manual
39	8744R	Seat			
40	2063R	Bracket Seat Pivot			

*STANDARD HARDWARE-PURCHASE LOCALLY

REPAIR PARTS

ROPER 18 TWIN HYDRO GARDEN TRACTOR-MODEL NO. T8338AR

FRONT AXLE



KEY NO.	PART NO.	DESCRIPTION	KEY NO.	PART NO.	DESCRIPTION
1	5000P	E-Ring	26	8855M	Grease Fitting 1/4" - 28 Taper Thrd.
2	1529P	Washer 13/16 x 1 - 1/4 x 14 Ga.	27	795R	Tire Valve
3	1309H	Bearing	28	3635R	Front Wheel (Inc. Key No's. 7 & 26)
4	634A521	Front Axle w/Bearings (Inc. Key No. 3)	29	1562P	Washer 25/32 x 1 - 1/2 x 16 Ga.
5	3294P	*Hex Bolt 5/8" - 11 x 5 Grade 5	30	8780H	Roll Pin 5/32 x 1
6	634A777	Spline Complete - R.H.	31	8780H	Wash Washer
7	9040H	Flanged Bearing	32	4831H	Elastic Nut 3/4" - 16 UNF
8	7810H	Carriage Bolt 3/8" - 24 UNF	33	8763H	Dust Cap - Outer
9	2915R	Hardened Washer	34	3008P	*Hex Bolt 5/16" - 18 x 1/2
10	7838R	Tie Rod and Joints (Inc. Key No's. 15, 16, 17, 18 & 19)	35	2652P	*Hex Bolt 3/8" - 24 x 1
11	6855M	Grease Fitting	36	548P	*Hex Jam 3/8" - 24 UNF Locknut
12	1505P	Washer 8/32 x 1/2 x 14 Ga.			
13	4764H	Huglock Nut 5/8 x 11 UNC			
14	634A778	Spline Complete - L.H.			
15	8615R	*Hex Jam Nut 1/2" - 20 UNF			
16	568P	*Hex Jam Nut 1/2" - 20 UNF			
17	634A819	Tie Rod Joint (R.H. Thread)			
18	568P	*Hex Jam Nut 1/2" - 20 L.H. Thread			
19	8514R	Tie Rod Joint (L.H. Thread)			
20	634A813	Steering Gear Sector and Arm			
21	1552P	Washer 8/32 x 1 - 1/8 x 16 Ga.			
22	6842M	Grease Fitting			
23	7837H	Drag Link and Joints			
24	634A88B	Steering Bell Crank Weldment			
25	3638R	Front Tire - Tubeless 16 x 6.50 - 8			

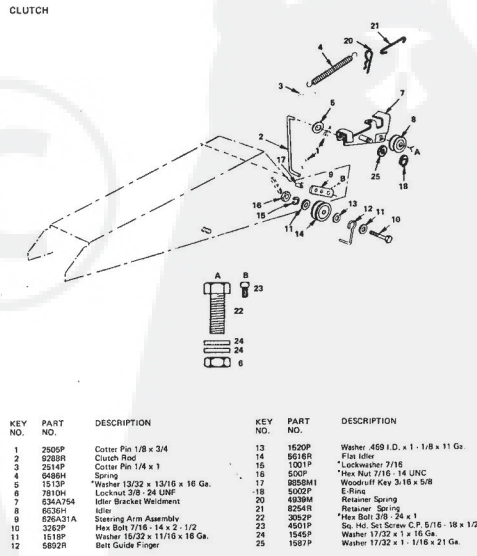
KEY NO.	PART NO.	DESCRIPTION
26	8855M	Grease Fitting 1/4" - 28 Taper Thrd.
27	795R	Tire Valve
28	3635R	Front Wheel (Inc. Key No's. 7 & 26)
29	1562P	Washer 25/32 x 1 - 1/2 x 16 Ga.
30	8780H	Roll Pin 5/32 x 1
31	8780H	Wash Washer
32	4831H	Elastic Nut 3/4" - 16 UNF
33	8763H	Dust Cap - Outer
34	3008P	*Hex Bolt 5/16" - 18 x 1/2
35	2652P	*Hex Bolt 3/8" - 24 x 1
36	548P	*Hex Jam 3/8" - 24 UNF Locknut

*STANDARD HARDWARE-PURCHASE LOCALLY

REPAIR PARTS

ROPER 18 TWIN HYDRO GARDEN TRACTOR-MODEL NO. T8338AR

CLUTCH



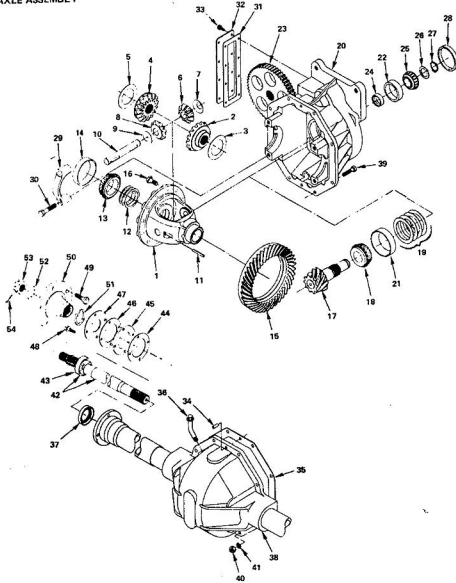
KEY NO.	PART NO.	DESCRIPTION	KEY NO.	PART NO.	DESCRIPTION
1	2905P	Cotter Pin 1/8 x 3/4	13	1520P	Washer 459 I.D. x 1 - 1/8 x 11 Ga.
2	9288R	Clutch Rod	14	8616R	Pin Inter
3	2314P	Cotter Pin 1/4 x 1	15	1001P	*Lockwasher 7/16"
4	6486H	Spring	16	500P	*Hex Nut 7/16" - 14 UNC
5	3513P	Washer 3/32 x 13/16 x 16 Ga.	17	8858M1	Woodruff Key 3/8 x 5/8
6	7810H	Locknut 3/8" - 24 UNF	18	3002P	E-Ring
7	634A754	Idler Bracket Weldment	19	4638M	Retainer Spring
8	6530H	Idler	21	8254R	Retainer Spring
9	634A754	Steering Arm Assembly	22	2905P	*Hex Bolt 1/8" - 24 x 1
10	3282P	*Hex Bolt 7/16" - 14 x 2 - 1/2	23	4501P	Std. Hd. Set Screw C.P. 5/16" - 18 x 1/2
11	1518P	Washer 15/32 x 11/16 x 16 Ga.	24	1546P	Washer 17/32 x 1 x 16 Ga.
12	6862R	Ball Guide Finger	25	1587P	Washer 17/32 x 1 - 1/8 x 21 Ga.

*STANDARD HARDWARE-PURCHASE LOCALLY

REPAIR PARTS

ROPER 18 TWIN HYDRO GARDEN TRACTOR--MODEL NO. T8338AR

AXLE ASSEMBLY



REPAIR PARTS

ROPER 18 TWIN HYDRO GARDEN TRACTOR--MODEL NO. T8338AR

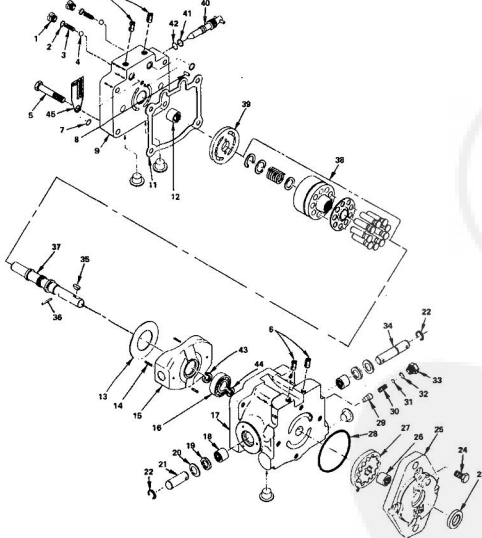
AXLE ASSEMBLY

KEY NO.	PART NO.	DESCRIPTION
1	7164R	Diff. Case
2 & 4	7165R	Diff. Gear (Set of Two)
3 & 5	7166R	Diff. Gear Thrust Washer (Set of Two)
6 & 8	7166R	Diff. Pinion Mate (Set of Two)
7 & 9	7170R	Diff. Pinion Thrust Washer
10	7167R	Diff. Shaft (Pin. Mate)
11	7168R	Diff. Shaft Lock Pin
12	7202R	Diff. Adj. Shim (Set of Four .003 to .020)
13	7207R	Big. Cone
14	7206R	Big. Cone
15 & 17	7171R	Gear and Pinion Assembly
16	7172R	Drive Sprocket
18	7201R	Roller Big. Cone
19	7196R	Pin. Big. Shim (Set of Four .003 to .020)
20, 29 & 30	7173R	Upper Htg. Sub. Assembly (Inc. Key No. 29)
30	3299P	Hex Hd. Cap Screw 7/16. 14 N.C. x 2 Grade 5
21	7200R	Roller Big. Cone
22	7194R	Big. Cone
23	7208R	Sprock. Gear
24	7185R	Pin. Big. Spacer
25	7193R	Big. Cone
26	7179R	Pin. Big. Shim (Set of Fourteen .031 to .057)
27	7178R	Snap Ring
28	7177R	Wash. Plug
31	7174R	Gear Cover Gasket
32	7175R	Gear Cover
33	7176R	Hex Top Screw
34	7217R	Down Pin
35	7210R	Housing Gasket
36	7214R	Vent. Tube Assembly
37	7218R	Oil Seal
38	7215R	Lower Htg. and Tube Assembly
39	3303P	Hex Bolt 5/16. 24 NF x 1 1/4 Grade 5
40	518P	Hex Nut 5/16. 24 NF
41	1003P	Lockwasher 5/16
42 & 43	7209R	Axle Shaft and Bearing (Inc. Key No. 43)
45	7211R	Wheel Bearing
44, 46 & 47	7180R	Wheel Bearing Gasket (Set of Three)
48	7181R	Wheel Bearing Retainer
49	7212R	Bolt
50	7216R	Wheel Bolt
51	7219R	Axle Shaft Flange Assembly
52	7218R	Felt Seal
53	7220R	Wheel End Washer
54	7221R	Wheel End Nut
55	7222R	Wheel End Cotter Pin

REPAIR PARTS

ROPER 18 TWIN HYDRO GARDEN TRACTOR--MODEL NO. T8338AR

HYDROSTATIC PUMP ASSEMBLY--MODEL NO'S. 15-2023 AND 15-2084



REPAIR PARTS

ROPER 18 TWIN HYDRO GARDEN TRACTOR--MODEL NO. T8338AR

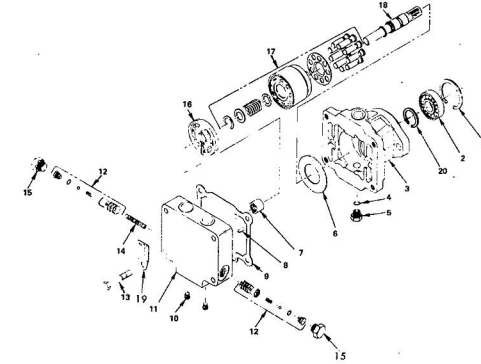
HYDROSTATIC PUMP ASSEMBLY--MODEL NO'S. 15-2023 AND 15-2084

KEY NO.	PART NO.	DESCRIPTION
1, 2, 3	AN104	Check Valve Kit
4	7224R	Hex Head Cap Screw
5	7223R	Pop Plug
6	7226R	O' Ring
7	7227R	Head Str. Pin
8	7228R	End Cap
9	7228R	Gasket
10	7228R	Needle Bearing
11	7228R	Thrust Plate
12	7228R	Coiled Spring Pin
13	7233R	Swashplate
14	7234R	Roll Bearing
15	1601J	Housing (For Pump Model No. 15-2084 ONLY)
16	7235R	Housing (For Pump Model No. 15-2023 ONLY)
17	7235R	Needle Bearing
18	7227R	Lip Seal
19	7238R	Washer
20	7238R	Transition Shaft
21	7240R	Retaining Ring
22	7241R	Lip Seal
23	7242R	Hex Head Cap Screw
24	7243R	Charge Pump Housing
25	7244R	Needle Bearing
26	7245R	Gasket Assembly
27	7246R	O' Ring
28	7247R	Relief Valve Cone
29	7248R	Relief Valve Spring
30	7249R	Spum Back
31	7250R	O' Ring
32	1603J	Hex Head Plug (For Pump Model No. 15-2084 ONLY)
33	7251R	Hex Head Plug (For Pump Model No. 15-2023 ONLY)
34	7252R	Control Shaft
35	7253R	Woodruff Key
36	7254R	Head Str. Pin
37	1602J	Shaft (For Pump Model No. 15-2084 ONLY)
38	7255R	Shaft (For Pump Model No. 15-2023 ONLY)
39	7256R	Cyl. Block Kit
40	7257R	Valve Plate
41	7258R	By-Pass Valve
42	7259R	Back Up Ring
43	1604J	O' Ring
44	1605J	Retaining Ring (For Pump Model No. 15-2084 ONLY)
45	1606J	Retaining Ring (For Pump Model No. 15-2023 ONLY)
46	634A556	Model Part Complete Pump Assembly

REPAIR PARTS

ROPER 18 TWIN HYDRO GARDEN TRACTOR-MODEL NO. T833BAR

HYDROSTATIC MOTOR ASSEMBLY



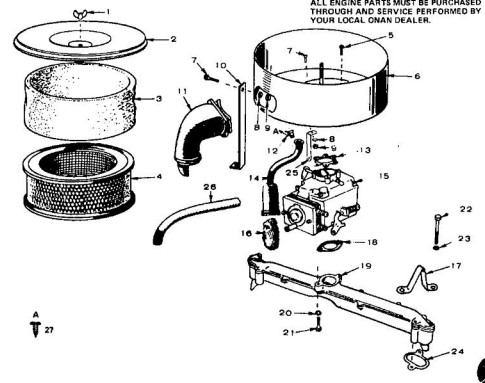
KEY NO.	PART NO.	DESCRIPTION	KEY NO.	PART NO.	DESCRIPTION
1	7262R	Retaining Ring	11	7272R	End Cap
2	7263R	Ball Bearing	12	7271R	Accelerator Valve Assembly
3	7264R	Motor Case	13	7278R	Hex Head Cap Screw
4 & 6	7265R	Hex Hd. Plug	14	7275R	Accelerator Spring
5	7231R	Thrust Plate	15	7230R	Hex Head Plug
7	7232R	Roller Bearing	16	7273R	Valve Plate
8	7272R	Hdless. Str. Pin	17	7256R	Cyl. Block Kit
9	7229R	Gasket	18	7278R	Main Shaft
10	7273R	Pipe Plug	19	Model Plate
			20	2241	Retaining Ring
			63AA555	Complete Motor Assembly

REPAIR PARTS

ROPER 18 TWIN HYDRO GARDEN TRACTOR-MODEL NO. T833BAR

ONAN ENGINE-MODEL NO. B48M-GA018/3475A

FUEL SYSTEM GROUP



ALL ENGINE PARTS MUST BE PURCHASED THROUGH AND SERVICE PERFORMED BY YOUR LOCAL ONAN DEALER.

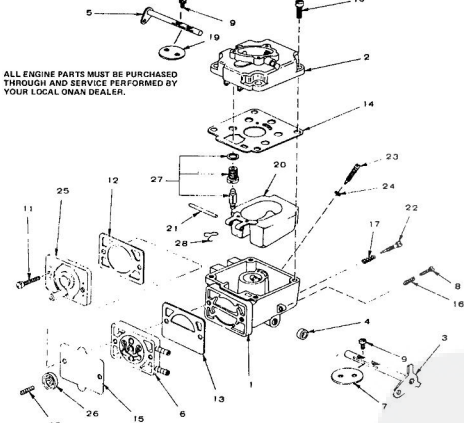
KEY NO.	PART NO.	DESCRIPTION	KEY NO.	PART NO.	DESCRIPTION
1	800-0020	Wing Nut (1/4" - 20)	15	142-0568	Carburetor
2	140-1189	Air Cleaner Cover	16	123-0865	Filter
3	140-1259	Air Cleaner Wrapper	17	403-1021	Lifting Bracket
4	140-1216	Air Cleaner Element	18	145-0030	Gasket
5	815-0463	Machine Screw, Slotted Head (No. 10 - 5/8")	18	184-1468	Intake Manifold
6	140-1213	Air Cleaner Housing	19	800-0023	Cap Screw (1/4" - 20 x 1 - 3/8")
7	800-0002	Cap Screw (1/4" - 20 x 1/2")	20	800-0023	Cap Screw (1/4" - 20 x 1 - 3/8")
8	863-0013	Lockwasher (1/4")	21	800-0033	5/16" - 18 x 2"
8	865-0011	Hex Nut (1/4" - 20)	21	800-0034	5/16" - 18 x 2" 1/4"
10	140-1198	Support	22	800-0045	Lockwasher (5/16")
11	140-1189	Air Intake Tube	23	184-1744	Gasket
12	518-0028	Cable Clip	24	140-1313	Support
13	140-1215	Gasket	26	503-0740	Fuel Hose
14	123-1277	Breather Tube	27	550P	Tub Screw Sl. Pan Hd. No. 8 x 3/4 Type A8

REPAIR PARTS

ROPER 18 TWIN HYDRO GARDEN TRACTOR-MODEL NO. T833BAR

ONAN ENGINE-MODEL NO. B48M-GA018/3475A

CARBURETOR PARTS GROUP



ALL ENGINE PARTS MUST BE PURCHASED THROUGH AND SERVICE PERFORMED BY YOUR LOCAL ONAN DEALER.

KEY NO.	PART NO.	DESCRIPTION	KEY NO.	PART NO.	DESCRIPTION
1	142-0534	Body	17	142-0583	*Spring
2	142-0573	Body	18	142-0545	*Spring
3	142-0534	Throttle Shaft	19	142-0546	Fly
4	142-0525	Idler	20	142-0597	Pin
5	142-0535	Choke Shaft	21	142-0548	*Shaft
6	142-0537	*Valve Assembly	22	142-0016	Side Needle
7	142-0538	Fly	23	142-0549	High Speed Screw
8	142-0004	Trim Screw	24	142-0550	*Screw
9	142-0334	*Screw	25	142-0551	Cover
10	142-0539	Screw	25	142-0552	*Plate
11	142-0540	Screw	27	142-0553	*Valve Assembly
12	142-0541	Gasket	28	142-0014	Retaining Clip
13	142-0542	Gasket	142-0071	Gasket Kit (Inc. Parts Marked *)
14	142-0572	Gasket	142-0570	Repair Kit (Inc. Parts Marked *)
15	142-0555	*Diaphragm			
16	142-0544	Spring			

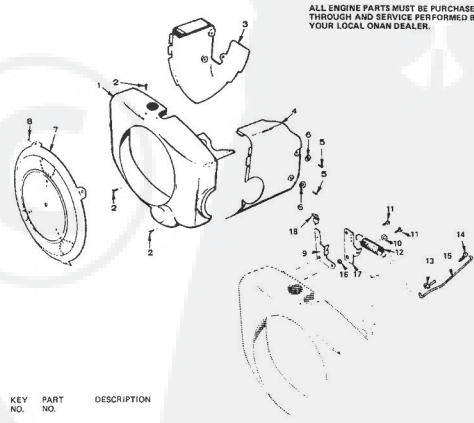
*Parts included in 142-0571 Gasket Kit.
*Parts included in 142-0570 Repair Kit.

REPAIR PARTS

ROPER 18 TWIN HYDRO GARDEN TRACTOR-MODEL NO. T833BAR

ONAN ENGINE-MODEL NO. B48M-GA018/3475A

BLOWER HOUSING AND GOVERNOR GROUP



ALL ENGINE PARTS MUST BE PURCHASED THROUGH AND SERVICE PERFORMED BY YOUR LOCAL ONAN DEALER.

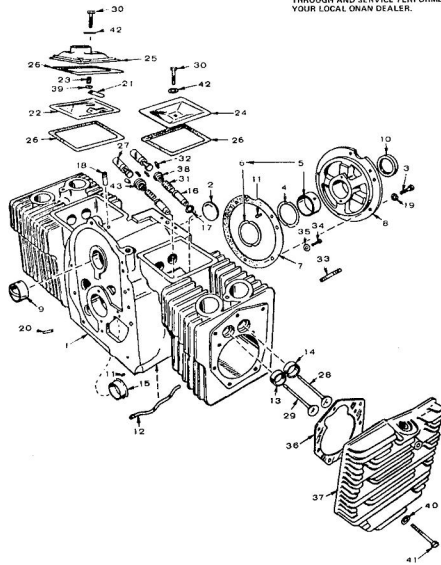
KEY NO.	PART NO.	DESCRIPTION
1	134-3567	Blower Housing
2	815-0281	Cap Screw (1/4" - 20 x 7/16")
3	134-2980	Cylinder Air Housing, Left Side
4	134-2818	Cylinder Air Housing, Right Side
5	815-0290	Cap Screw (1/4" - 20 x 5/8")
6	528-0021	Flat Washer (1/764" I.D. x 3/4" O.D. x 1/16" Thick)
7	134-2313	Guard
8	815-0378	Cap Screw, W/EI (No. 14 x 1/2")
9	153-1343	Bracket
10	528-0214	Flat Washer (1/764" I.D. x 1/2" O.D. x 1/16" Thick)
11	815-0436	Cap Screw (1/4" - 20 x 1/2")
12	150-1114	Bracket
13	870-0278	Retainer Clip
14	518-0004	Retainer Clip
15	150-1360	Rod
16	150-1268	Washer
17	150-1516	Arm
18	518-0176	Clip

REPAIR PARTS

ROPER 18 TWIN HYDRO GARDEN TRACTOR-MODEL NO. T8338AR
ONAN ENGINE-MODEL NO. B48M-GA018/3475A

CYLINDER BLOCK GROUP

ALL ENGINE PARTS MUST BE PURCHASED
THROUGH AND SERVICE PERFORMED BY
YOUR LOCAL ONAN DEALER.



REPAIR PARTS

ROPER 18 TWIN HYDRO GARDEN TRACTOR-MODEL NO. T8338AR
ONAN ENGINE-MODEL NO. B48M-GA018/3475A

CYLINDER BLOCK GROUP

KEY NO.	PART NO.	DESCRIPTION	KEY NO.	PART NO.	DESCRIPTION
1	110 2590	Cylinder Block Assembly	21	123 1175	Rivet
2	517 0048	*Plug	22	123 1173	Barble
3	800 0501	*Cap Screw (3/8 - 16 x 1 - 1/4")	23	123 1174	Spring
4	104 0775	*Shim (.025" Thick)	24	110 1870	Valve Cover
5	101 0450	Standard	25	110 2271	Valve Cover
	101 0450-02	.002" Undersize	26	110 1297	Gasket
	101 0450-10	.010" Undersize			
	101 0450-20	.020" Undersize			
	101 0450-30	.030" Undersize			
6	104 0575	*Thrust Washer			
7	101 0115	*Gasket			
8	101 0430	*Bearing Plate, Rear	28	110 1805	Intake Valve
9	101 0405	*Camshaft Bearing	29	110 1800	Exhaust Valve
10	509 0011	*Seal	30	800 0010	Cap Screw (1/4 - 20 x 3/4")
11	516 0272	*Drive Pin	31	110 0539	Valve Spring
12	120 0735	*Tube	32	110 0539	Valve Spring Lock
13	VALVE 27 AT INERT, EXHAUST		33	629 0820	Shut
	110 1824	Standard	34	609 0046	Cap Screw (3/8 - 16 x 1/2")
	110 1824-02	.002" Oversize	35	526 0005	Flat Washer, Copper (25/64" I.D. x 9/16" O.D. x 1/16" Thick)
	110 1824-05	.005" Oversize			
	110 1824-10	.010" Oversize	36	110 2287	Head Gasket
	110 1824-20	.020" Oversize			
	110 1824-25	.025" Oversize			
14	VALVE SLAT INSERT, INTAKE		37	CYLINDER HEAD	
	110 0197	Standard		110 2564	Right Side
	110 0197-02	.002" Oversize		110 2563	Left Side
	110 0197-05	.005" Oversize		110 0504	Rock Cap-Exhaust Valves
	110 0197-10	.010" Oversize	38	526 0016	Flat Washer (17/64" I.D. x 5/8" O.D. x 1/16" Thick)
	110 0197-25	.025" Oversize	39	526 0122	Flat Washer (11/32" I.D. x 23/32" O.D. x 10 Ga.)
15	CRANKSHAFT BEARING, FRONT		41	CAP SCREW SPECIAL	
	101 0432	Standard		609 0540	5/16 - 18 x 1 - 5/8"
	101 0432-02	.002" Undersize		800 0541	5/16 - 18 x 2"
	101 0432-10	.010" Undersize		526 0063	Flat Washer, Copper (17/64" I.D. x 7/16" O.D. x 1/32" Thick)
	101 0432-20	.020" Undersize			
	101 0432-30	.030" Undersize	43	110 0893	Retainers-Intake Valves
16	110 1800	*Standard		160 1213	Ignition Tune-Up Kit
17	110 0088	*Gasket		160 0140	Carbon Removal Gasket Kit
18	185 1295	*Locking Tube		168 0141	Engine Gasket Kit
19	850 0050	*Lockwasher (3/8")			
20	515 0141	*Alignment Pin			

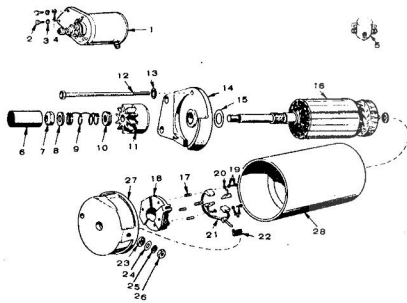
*Parts Included in Cylinder Block Assembly

REPAIR PARTS

ROPER 18 TWIN HYDRO GARDEN TRACTOR-MODEL NO. T8338AR
ONAN ENGINE-MODEL NO. B48M-GA018/3475A

STARTER GROUP

ALL ENGINE PARTS MUST BE PURCHASED
THROUGH AND SERVICE PERFORMED BY
YOUR LOCAL ONAN DEALER.



KEY NO.	PART NO.	DESCRIPTION	KEY NO.	PART NO.	DESCRIPTION
1	191 0923	Starting Motor, Complete	15	191 1038	Washer
2	800 0028	Cap Screw (5/16 - 18 x 1")	16	191 1039	Armature
3	850 0045	Lockwasher (5/16")	17	8	*Spring
4	526 0113	Flat Washer (11/32" I.D. x 1" O.D. x 3/32" Thick)	18	8	*Brush
5	307 1031	Starting Solenoid	19	8	*Screw and Lockwasher
6	191 1024	Dust Cover	20	8	*Stud and Brush Assembly
7	191 1045	Stop Nut	21	8	*Brush
8	191 1046	Washer	22	8	*Insulation Washer
9	191 1025	Spring	23	8	*Flat Washer
10	191 1047	Sleeve	24	8	*Lockwasher
11	191 1036	Drive Assembly	25	8	*Nut
12	191 1048	Cap Screw	26	8	*Housing
13	850 0040	Lockwasher (1/4")	27	191 1040	Cap Assembly (Inc. Parts Marked +)
14	191 1037	Cap Assembly	28	191 1041	Repair Package (Inc. Parts Marked *)

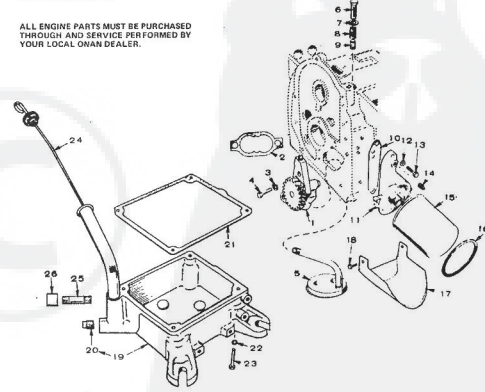
*Parts included in 191 1040 Cap Assembly
*Parts included in 191 1041 Repair Package
& Not Sold Separately

REPAIR PARTS

ROPER 18 TWIN HYDRO GARDEN TRACTOR-MODEL NO. T8338AR
ONAN ENGINE-MODEL NO. B48M-GA018/3475A

OIL SYSTEM GROUP

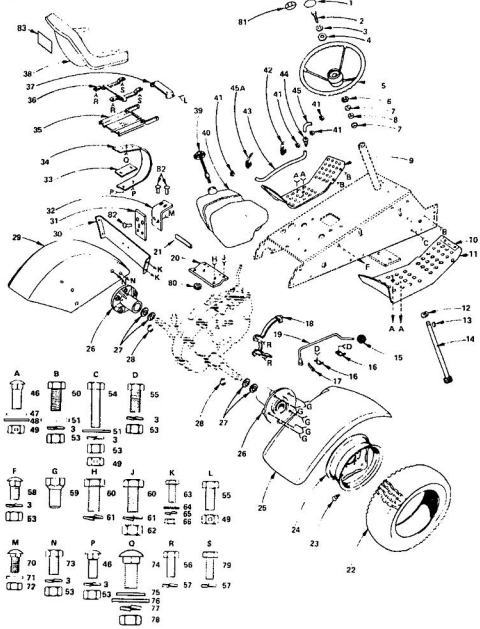
ALL ENGINE PARTS MUST BE PURCHASED
THROUGH AND SERVICE PERFORMED BY
YOUR LOCAL ONAN DEALER.



KEY NO.	PART NO.	DESCRIPTION	KEY NO.	PART NO.	DESCRIPTION
1	120 0401	Oil Pump (Components Not Sold Separately)	13	800 0028	Cap Screw (5/16 - 18 x 1")
2	120 0101	Oil Pump Gasket Kit	14	605 0057	Pipe Plug
3	850 0509	Lockwasher (1/4")	15	122 0338	Oil Filter
4	800 0007	Cap Screw (1/4 - 20 x 1")	16	122 0347	Air Seal, Filter to Housing
5	120 0113	Intake Gasket	17	122 0380	Oil Drain
6	801 0050	Cap Screw (3/8 - 24 x 1")	18	615 0194	Cap Screw W/ET (No. 10 - 32 x 3/8")
7	526 0056	Flat Washer, Copper (25/64" I.D. x 9/16" O.D. x 1/16" Thick)	19	102 0741	Oil Base
8	120 0140	Spring	20	505 0056	Plug
9	120 0140	Spring	21	102 0993	Gasket
9	120 0140	Spring	22	800 0050	Lockwasher (3/8")
9	120 0140	Spring	23	800 0056	Cap Screw (3/8 - 16 x 2 - 1/2")
10	122 0321	Gasket	24	123 1292	Cap and Indicator
11	122 0320	Adapter	25	505 0176	Pipe Nipple (1/2 x 3 - 1/2")
12	526 0005	Flat Washer, Copper (25/64" I.D. x 9/16" O.D. x 1/16" Thick)	26	505 0158	Pipe Cap (1/2")

REPAIR PARTS

20T GARDEN TRACTOR-MODEL NO. T9329AR
STEERING AND FINAL DRIVE



REPAIR PARTS

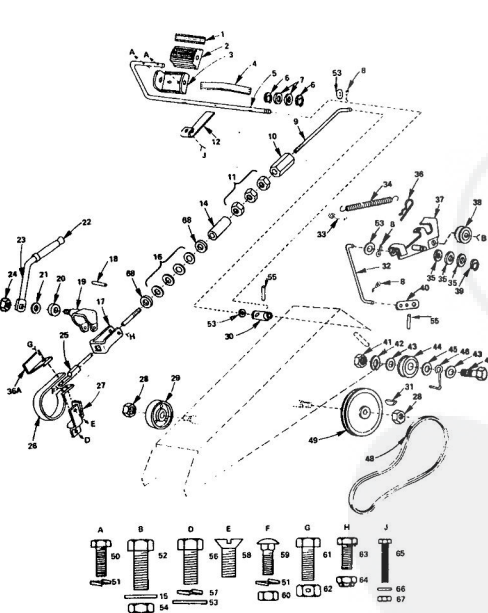
20T GARDEN TRACTOR-MODEL NO. T9329AR
STEERING AND FINAL DRIVE

KEY NO.	PART NO.	DESCRIPTION	KEY NO.	PART NO.	DESCRIPTION
1	9719R	Steering Wheel Inset	46	61P	Sq. Nt. Shrt. Cur. Bolt 3/8 - 16 x 1 Ga. 5
2	3022P	*Hex Bolt 3/8 - 16 x 1	47	1813P	Washer 13/32 x 13/16 x 16 Ga.
3	1004P	*Lockwasher 3/8	48	1519P	Washer 10/32 x 1 x 17 Ga.
4	1555P	Washer 7/16 x 1 x 10 Ga.	49	5394H	Locknut 3/8 UNC
5	3644R	Steering Wheel	50	2025P	*Hex Bolt 3/8 - 16 x 1 1/4
6	6003P	E-Ring	51	1557P	Washer 13/32 x 13/16 x 11 Ga.
7	9007H	Cap	53	501P	*Hex Nut 3/8 - 16 UNC
8	5549H	Rubber Bushing	54	3022P	*Hex Bolt 3/8 - 16 x 1 1/2
9	7903R	Foot Rest - L.H.	55	3022P	*Hex Bolt 3/8 - 16 x 7/8
10	8505P	Steel Kickback Clutch	56	2019P	*Hex Bolt 5/16 - 18 x 3/4
11	7904R	Foot Rest - R.H.	57	1003P	*Lockwasher 5/16
12	1552P	Washer 5/16 x 1 - 1/4 x 16 Ga.	58	1304H	Sq. Neck Carriage Bolt 3/8 - 16 x 3/4
13	8808M1	Woodruff Key 3/16 x 3/8	59	1001H	Lockwasher 7/16
14	634A226	Steering Shaft and Pinion	60	500P	*Hex Nut 7/16 - 14 UNC
15	6384H	Control Knob	61	1001H	Lockwasher 7/16
16	6442H	Shift Rod Bracket	62	500P	*Hex Nut 1/4 - 20 x 3/4
17	2511R	Cotter Pin 2016 x 1	63	3003P	*Hex Bolt 1/4 - 20 x 3/4
18	634A22A	Ball Guide	64	1505P	*Washer 9/32 x 5/8 x 10 Ga.
19	6477H	Range Shift Rod	65	1003P	*Lockwasher 1/4
20	9504R	Transmission Bracket	66	603P	*Hex Nut 1/4 - 20 UNC
21	8014H	Seat Stop	67	16P	*Short Shoulder Sq. Neck Carriage Bolt 5/16 - 18 x 3/4
22	4607R	Rear Tire 23 x 10.50 - 12	68	1001H	Lockwasher 7/16
23	785R	Tire Valve	69	3022P	*Hex Bolt 3/8 - 16 x 1 1/2
24	2625P	Rear Wheel	70	1001H	Lockwasher 7/16
25	9428R	Fender - R.H.	71	1685H	Washer 11/32 x 13/16 x 16 Ga.
26	634A202	Wheel Hub - Rear	72	3022P	*Hex Bolt 3/8 - 16 x 3/4
27	7663R	Axle Thrust Washer	73	52P	Carriage Bolt 1/2 - 13 x 1 - 1/4 Gr. 5
28	3485H	Braking Ring	74	1505P	Washer 3/4 x 1 - 1/8 x 11 Ga.
29	9427R	Fender - L.H.	75	1570P	Washer 3/4 x 1 - 1/8 x 11 Ga.
30	2056H	Bracket - Tail Light	76	1560P	Washer 17/32 x 1 - 1/2 x 11 Ga.
31	125U	Seat Stop Bracket	77	1000P	*Lockwasher 1/2
32	135U	Fuel Tank Retainer	78	502P	*Hex Nut 1/2 - 13 UNC
33	8141H	Seat Spring Reinforcement	79	3159P	*Hex Bolt 5/16 - 18 x 7/8
34	7888H	Seat Spring	80	5547R	Rubber Grommet
35	634A776	Seat Plate Weldment	81	235U	Steering Wheel Detail
36	634A532	Seat Bracket Weldment	82	124	Rubber Burner
37	7827H	Bracket, Seat Pivo	83	245L	Detail - Roper
38	9744R	Seat	1418J	Warranty Tag	
39	2329H	Fuel Gauge	1418L	Owner's Manual	
40	7885R	Fuel Tank			
41	6899R	Fuel Line Clamp			
42	2751R	Clip - Fuel Line			
43	897J	Fuel Line			
44	7741R	In-Line Filter			
45	903J	Fuel Line Elbow			
46A	9297R	Clip - Fuel Line			

*STANDARD HARDWARE - PURCHASE LOCALLY

REPAIR PARTS

20T GARDEN TRACTOR-MODEL NO. T9329AR
BRAKE AND CLUTCH



REPAIR PARTS

20T GARDEN TRACTOR-MODEL NO. T9329AR
BRAKE AND CLUTCH

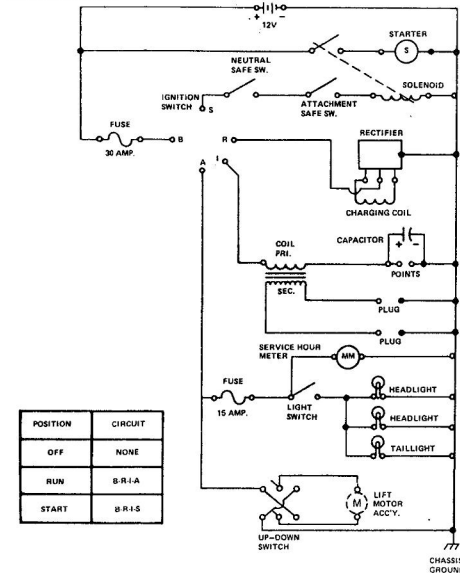
KEY NO.	PART NO.	DESCRIPTION	KEY NO.	PART NO.	DESCRIPTION
1	8899R	Insert Clutch Brake	27	634A754	Inner Bracket Weldment
2	8827R	Foot Pedal	38	6038H	Inner
3	8766H	Foot Pedal Bracket	39	5002P	E-Ring
4	9008H	Screw	40	634A680	Steering Arm Assembly
5	111J	Foot Pedal Shaft	41	600P	*Hex Nut 7/16 - 14 UNC
6	5001P	E-Ring	42	1001P	Lockwasher 7/16
7	1527R	Washer 21/32 x 7/8 x 16 Ga.	43	1544P	Washer 15/32 x 15/16 x 16 Ga.
8	2005P	Cotter Pin 1/8 x 3/4	44	6625H	Flat Idler 1/2 x 1 - 1/8 x 11 Ga.
9	2307H	Brake Rod - Front	45	1520P	Washer #60 I.D. x 1 - 1/8 x 11 Ga.
10	6417H	Turbochuck	46	6479H1	Belt Fange
11	501P	*Hex Nut 3/8 - 16 UNC	47	2025P	*Hex Bolt 3/8 - 16 x 2 - 1/2
12	7823R	Safety Start Actuator	48	2692R	V-Belt
14	2201R	Bushing	49	5451H2	Patley, Transmission
15	1551P	Washer 13/32 x 13/16 x 11 Ga.	50	3003P	*Hex Bolt 1/4 - 20 x 3/4
16	2762R	Spring Washer	51	1003P	Lockwasher 1/4
17	9666R	Parking Brake Yoke	52	3341P	*Fin. Hex Bolt 3/8 - 24 x 1
18	175H	Roll Pin	53	1813P	Washer 13/32 x 13/16 x 16 Ga.
19	634A887	Lock Bracket Assembly	54	146P	*Hex Nut 3/8 - 24 UNC
20	2221R	Parking Brake Spacer	55	8142H	Roll Pin
21	6492H	Seal Washer	56	3022P	*Hex Bolt 3/8 - 16 x 7/8
22	4379H	Handle Grip	57	1004P	*Lockwasher 3/8
23	634A341	Parking Lock Handle Assembly	58	3164P	Full Hd. Machine Screw - Undercut 3/8 - 18 x 3/4
24	7810H	Grisco Centerlock Nut 3/8 - 24 UNF	59	11P	Sq. Neck Carriage Bolt 1/4 - 20 x 5/8
25	626A305	Brake Rod Assembly	60	603P	*Hex Nut 1/4 - 20 UNC
26	634A162	Brake Band Assembly	61	3164P	*Hex Bolt 5/16 - 18 x 7/8
27	634A168	Brake Bracket Assembly	62	1685H	Locknut 5/16 - 18 UNC
28	9004H	Lock Nut 1/2 - 20 UNF	63	2244P	*Hex Bolt 1/4 - 20 x 5/8 Gr. 5
29	214J	Brake Drum	64	8071H	Hex Hd. Match. Screw 6 - 32 x 1
30	634A809	Brake Arm Assembly	65	3326P	Hex Hd. Match. Screw 6 - 32 x 1
31	9858M1	Woodruff Key	66	1567P	Washer 5/32 x 3/8 x 20 Ga.
32	9388R	Clutch Rod	67	562P	Centerlock Nut 6 - 32 UNC
33	2514P	Cotter Pin 1/4 x 1	68	1802P	Washer 13/32 x 5/8 x 11 Ga.
34	6469H	Spring			
35	1687P	*Washer 17/32 x 1 - 1/16 x 21 Ga.			
36	4829M	Retainer Spring			
36A	644J	Hose Shield			

*STANDARD HARDWARE - PURCHASE LOCALLY

REPAIR PARTS

20T GARDEN TRACTOR—MODEL NO. T9329AR

SCHEMATIC DIAGRAM



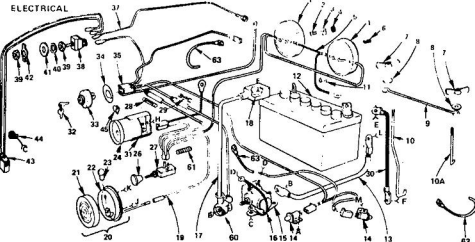
POSITION	CIRCUIT
OFF	NONE
RUN	B-R-1-A
START	B-R-1-S

WIRING CLIPS AND CABLE TIES

If Clips or Ties were removed for servicing of unit, they should be replaced to properly secure your wiring.

REPAIR PARTS

20T GARDEN TRACTOR—MODEL NO. T9329AR

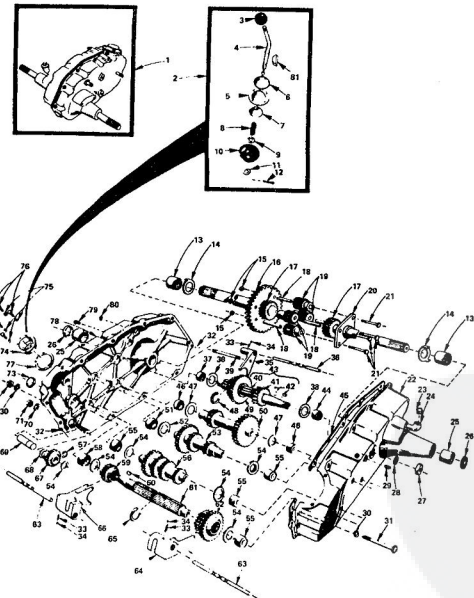


KEY NO.	PART NO.	DESCRIPTION	KEY NO.	PART NO.	DESCRIPTION
1	8452R	Headlight	33	2683R	Ignition Switch
2	3554P	Phillips Pan Hd. Thd. Cutting Screw No. 10 - 16 x 1/2	34	8668R	Terminal Identifier
3	8780H	Mounting Clip	35	1492J	Wire Harness, Main
4	8784H1	Rubber Spacer	37	8688R	Wire, Ground Lift Switch
5	8231N	Headlight Ground Wire	38	566P	Switch, Elec. Lft.
6	8197H	Hose	39	566P	Hex Nut, Smt. 7/16 - 32 NS - 2A
7	3748M	Washer Nut 1/4 - 20 UNC	40	7318P	Lockwasher, Internal Tooth
8	1506P	Washer 9/32 x 5/8 x 16 Ga.	41	1818P	Washer 15/32 x 11/16 x 18 Ga.
9	7955R	Battery Clamp	42	8320R	Switch Frame
10	2688R	Battery Bolt	43	8865R	Lift Motor Harness
10A	881	Battery Bolt	44	8320R	Clp. Wire
11	4171R	Insulated Clip	45	8815R	Clp. Wire
12	228J	Battery	45	5554P	Clp. Wire
13	2238R	Cable - Solenoid to Start.	47	1003P	Stripped Hex Indented Hd. Self Tapping Screw No. 10 - 24 x 3/8 Type 1
14	7755R	Solenoid	48	538P	Lockwasher 5/16
15	7754H	Solenoid	48	538P	*Hex Jam Nut 5/16 - 24 UNF
16	8027R	Wire - Ground to Solenoid	49	3115P	*Hex Bolt 1/4 - 20 x 5/8
17	116J	Battery Cable	50	1002P	*Lockwasher 1/8
18	225J	Terminal Post	51	852P	*Hex Nut 1/4 - 20 UNC
19	8033R	Light Harness	52	1006P	*Lockwasher No. 10
20	8085H	Lens - Taillight	53	1006P	*Hex Nut No. 10 - 32 UNF
21	8292H	Lens - Taillight	54	1402P	*Ext. Tooth Lockwasher 3/8
22	8253H	Bulb No. 1895 2 Candle Power	55	505P	*Hex Bolt 1/4 - 20 x 3/4
23	8291H	Bulb No. 1895 2 Candle Power	55	505P	*Hex Nut No. 10 - 24 UNC
24	7733R	Maintenance Meter	57	1003P	*Hex. Truss Hd. Mech. Screw 10 - 24 x 3/4
25	7734R	Light Switch Knob	58	1404P	*Ext. Tooth Lockwasher No. 10
26	7733R	Light Switch	59	1504P	*Hex. Truss Hd. Mech. Screw 10 - 24 x 3/4
27	2212R	Fuse - 15 Amp.	60	51J	Solenoid Terminal Cover
28	6247R	Fuse - 15 Amp.	61	1052J	Cable Tie
30	2753R	Battery Cable - Ground	62	3218P	Hex Hd. Mech. Screw No. 10 - 24 x 1/2
31	8066P	Maintenance Meter Bracket	63	1052J	Cable Tie
32	7552H	Key Set			*STANDARD HARDWARE—PURCHASE LOCALLY

REPAIR PARTS

20T GARDEN TRACTOR—MODEL NO. T9329AR

TRANSAXLE



REPAIR PARTS

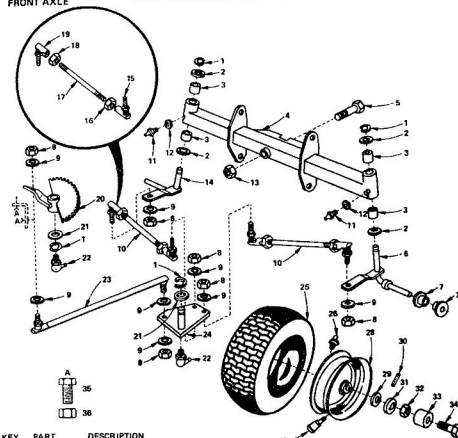
20T GARDEN TRACTOR—MODEL NO. T9329AR

TRANSAXLE

KEY NO.	PART NO.	DESCRIPTION	KEY NO.	PART NO.	DESCRIPTION
1	633A92	Transaxle Assembly Less Brake Drum & Shift Lever (Inc. Key No's. 12 thru 80)	44	8115M	Needle Bearing
2	633A82	Gear Shift Lever Assembly (Inc. Key No's. 3 thru 12 and 81)	45	6275H	Gasket - Gearcase
3	6386H	Control Knob	46	8117M	Needle Bearing
4	9635R	Gear Shift Lever	47	7396H	Thrust Bearing Race
5	633A85	Gear Shift Ball Cover and Pin	48	6270H	Snap Ring - Crescent Type
6	9013R	Gear Shift Cap	49	633A14	High - Low Range Gears and Hub
7	8178H1	Shift Lever Guide Ball	50	633A33	4th Reduction Shaft and Gears
8	4024H	Spring	51	7395H	Needle Bearing
9	1802P	Washer 15/32 x 5/8 x 16 Ga.	52	7395H	2nd Reduction Shaft and Gears
10	8105R	Shift Mechanism Seal	53	633A31	Thrust Bearing Race
11	1525P	Washer 9/16 x 5/16 x 11 Ga.	54	1370H	Needle Bearing
12	2505P	Center 1/8 x 3/4	55	4895H	Needle Bearing
13	2035R	Needle Bearing	56	83A20	Speed Change Gear and Shaft
14	6268H	Axle Thrust Washer	57	5001P	E-Ring
15	7810H	Centerlock Gripco Nut 3/8 - 24 UNF	58	4894H	Needle Bearing
16	8662H	Input Shaft	59	6201H	Low Speed Pinion
17	633A13	Axle Shaft and Gear	60	8850M1	Woodruff Key
18	6292H1	Beaking - Differential Pinion	61	6218H	Input Shaft
19	8657H	Differential Pinion	62	633A11	Intermediate and High-Speed Pinions
20	6263H1	Differential Carrier	63	6219H	Shift Fork Shaft
21	3056P	Hex Bolt - 24 x 3 - 1/4 1" Thread Length	64	4210R	Shift Fork - L.H.
22	633A89	Gear Case and Bearings - L.H.	65	4922H	Snap Ring - Crescent Type
23	4002P	Pipe Plug 1/2 - 14 N.P.T.	66	6202H	Shift Fork - R.H.
24	4003P	SB Street Elbow 1/2 - 14 N.P.T.	67	1153R	Reverse Idler Gear
25	89201	Sintered Iron Bearing	68	7392H	Reverse Idler Shaft
26	7392R	Oil Seal	69	7384H	Reverse Idler Thrust Washer
27	6204H	Lock Nut	70	1167R	Sealing Washer
28	6271H	Oil Seal	71	6418P	Hex Jam Nut 7/16 - 20 UNF
29	4001P	Pipe Plug 1/4 - 18 N.P.T.	72	604P	*Hex Nut 5/16 - 18 UNC
30	1001P	Lockwasher 5/16 Extra Heavy	73	6270H	Oil Seal
31	3087P	*Hex Bolt 5/16 - 18 x 1 - 1/2 G 5	74	75J	Gear Shift Gate
32	6271H	Down Pin	75	1003P	*Lockwasher 5/16
33	6272H	Spring - Shift Fork Detent	76	2195P	*Hex Bolt 5/16 - 18 x 7/8
34	7395M	Shift Fork	77	6274H	Gasket - Shift Ball Cover
35	6200H	High - Low Range Shaft	78	633A10	Gear Case, Reverse Idler Shaft and Bearings R.H.
36	6217H	High - Low Range Shift Fork Shaft	79	8655H	Pressure Relief Valve
37	8118M	Needle Bearing	80	6268H	Oil Seal
38	6266H	Thrust Bearing Race	81	7825M	Woodruff Key
39	6215H	High - Low Range Shift Shaft			*STANDARD HARDWARE—PURCHASE LOCALLY
40	6211H	3rd Reduction Gear Shaft			
41	8659H	4th Reduction Pinion			
42	2229M	Woodruff Key			
43	633A32	3rd Reduction Shaft and Gear (Inc. Key No's. 40 - 41 & 42)			

REPAIR PARTS

20T GARDEN TRACTOR-MODEL NO. T9329AR



KEY NO.	PART NO.	DESCRIPTION	KEY NO.	PART NO.	DESCRIPTION
1	6000P	E-Ring	22	6842M	Grease Fitting
2	1528P	Washer 13/16 x 1 - 1/4 x 14 Ga.	23	7577B	Drag Link and Joints
3	1358H	Bearing	24	634AB9	Steering Ball Crank Weldment
4	634A621	Front Axle w/Bearings (Inc. Key No. 3)	25	3835R	Front Tire 18 x 6.50-5
5	3254P	Hex Bolt 5/8 - 11 x 5 Grade 5	26	6858M	Grease Fitting 1/4 - 28 Taper Thrd.
6	634A277	Spindle Complete - R.H.	27	7575R	Tire Valve
7	8240H	Flanged Bearing	28	3635R	Front Wheel and Bearings
8	7810H	Gripco Locknut 3/8 - 24 UNF	29	165R	Wear Washer
9	2615R	Hardened Washer	30	8788H	Roll Pin 5/32 x 1 - 1/2 x 16 Ga.
10	7838R	Tie Rod and Joints (Inc. Key No's 16, 18, 17, 18 & 19)	31	8755H	Dist Cap Drive
11	6955M	Grease Fitting	32	4821H	Elastic Nut 3/4 - 16 UNF
12	1958P	Washer 5/8 x 1 1/2 x 14 Ga.	33	8753H	Roll Pin 5/16 - 18 x 1/2
13	4764H	Hoglock Nut 6/8 - 11 UNC	34	3000P	*Hex Bolt 3/8 - 24 x 1
14	634A27B	Spindle Complete - L.H.	35	5441P	*Hex Bolt 3/8 - 24 UNF
15	8515R	Tie Rod Joint (R.H. Thread)	36	640P	*Hex Jam Nut 3/8 - 24 UNF
16	596P	*Hex Jam Nut 1/2 - 20 (L.H. Thread)			
17	634A819	Tie Rod and Nuts (Inc. Key No's 16 & 18)			
18	600P	*Hex Jam Nut 1/2 - 20 (L.H. Thread)			
19	8514R	Tie Rod Joint (L.H. Thread)			
20	634A813	Steering Gear Sector and Arm			
21	1552P	Washer 49/64 x 1 - 1/4 x 16 Ga.			

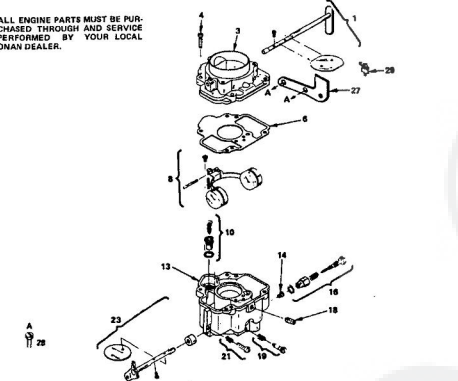
*STANDARD HARDWARE-PURCHASE LOCALLY

REPAIR PARTS

20T GARDEN TRACTOR-MODEL NO. T9329AR
ONAN ENGINE-MODEL NO. N52M-GA019.9/3580B

CARBURETOR PARTS GROUP

ALL ENGINE PARTS MUST BE PURCHASED THROUGH AND SERVICE PERFORMED BY YOUR LOCAL ONAN DEALER.



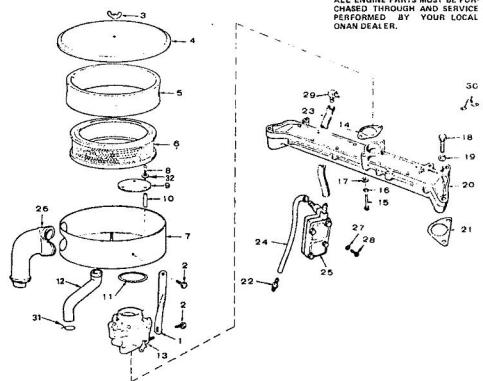
KEY NO.	PART NO.	DESCRIPTION	KEY NO.	PART NO.	DESCRIPTION
1	146-0271	Carburetor Assembly, Complete	18	146-0211	Set Screw
2	146-0290	Choke Shaft Package	19	146-0209	*Needle Package
3	146-0291	Air Intake (Not Sold Separately)	21	146-0281	Screw Package
4	146-0284	Screw	23	146-0270	Throttle Shaft Package
6	146-0203	Gasket	27	153-0515	Bracket: Choke Cable
8	146-0282	Front Assembly Package	28	821-0002	Mounting Screw
10	146-0227	*Valve and Seat Package	29	153-0514	Calisk Clip
13	146-0238	Body (Not Sold Separately)	---	146-0220	*Gasket Kit
16	146-0238	Power Jet	---	146-0228	Repair Kit (Includes Parts Marked H)
18	146-0216	*Power Needle Package	---	---	*PARTS CONTAINED IN 146-0228 REPAIR KIT.

REPAIR PARTS

20T GARDEN TRACTOR-MODEL NO. T9329AR
ONAN ENGINE-MODEL NO. N52M-GA019.9/3580B

FUEL SYSTEM GROUP

ALL ENGINE PARTS MUST BE PURCHASED THROUGH AND SERVICE PERFORMED BY YOUR LOCAL ONAN DEALER.



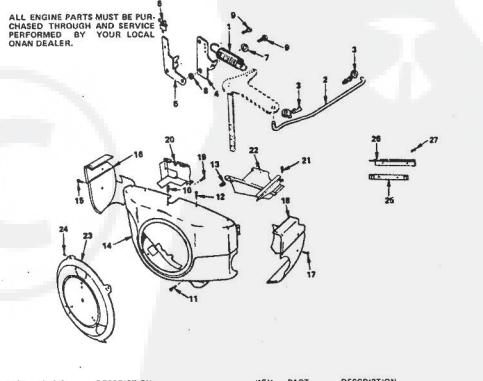
KEY NO.	PART NO.	DESCRIPTION	KEY NO.	PART NO.	DESCRIPTION
1	140-1409	Air Cleaner Support	17	526-0115	Flat Washer (11/32" I.D. x 1 1/16" O.D. x 1/16" Thick)
2	821-0009	Cap Screw, Hex Head Locking (1/4 - 20 x 3/8")	18	800-0058	Lockwasher, Spring (3/8" x 1 1/4")
3	865-0020	Wing Nut (1/4 - 20)	19	869-0050	Lockwasher, Spring (3/8" x 1 1/4")
4	140-1406	Air Cleaner Cover	20	154-0229	Insulator Manifold
5	140-1496	Wrapper	21	154-1483	Gasket
6	140-1579	Element	22	552-0295	Conductor
7	140-1498	Air Cleaner Housing	23	503-0874	Fuel Line
8	815-0470	Binder Head Machine Screw w/Nylon Patch (No. 10 - 32 x 1 - 1/2")	24	503-0910	Air Inlet Tube
9	140-1500	Blower	25	148-1544	Fuel Pump
10	140-1501	Deflector Plate	26	140-1495	Air Inlet Tube
11	509-0145	Seal, "O" Ring	27	850-0025	Lockwasher, Spring (No. 8)
12	123-1264	Breather Hose	28	812-0075	Round Head Machine Screw (No. 8 - 32 x 1 1/4")
13	146-0271	Carburetor Assembly (See Separate Group for Components)	29	502-0310	Elbow
14	154-0733	Gasket	30	463-1480	Lifting Bracket
15	800-0035	Cap Screw, Hex Head (5/16 - 18 x 2 - 1/2")	31	503-0171	Hex Clamp
16	850-0045	Lockwasher, Spring (5/16")	32	850-0070	Lockwasher (No. 10)
				148-1552	Fuel Pump Repair Kit

REPAIR PARTS

20T GARDEN TRACTOR-MODEL NO. T9329AR
ONAN ENGINE-MODEL NO. N52M-GA019.9/3580B

GOVERNOR AND AIR HOUSING GROUP

ALL ENGINE PARTS MUST BE PURCHASED THROUGH AND SERVICE PERFORMED BY YOUR LOCAL ONAN DEALER.

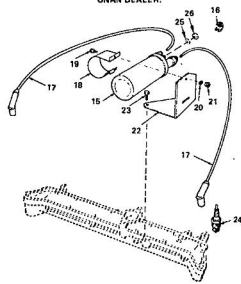
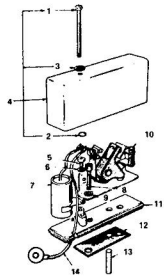


KEY NO.	PART NO.	DESCRIPTION	KEY NO.	PART NO.	DESCRIPTION
1	150-1314	Governor Spring	16	815-0261	Cap Screw, Hex Head Locking (1/4 - 20 x 7/16")
2	150-1513	Throttle Link	18	134-3440	Air Housing, Left Side
3	518-0304	Clip	17	815-0261	Cap Screw, Hex Head Locking (1/4 - 20 x 7/16")
4	150-1576	Governor Control Arm	18	134-3448	Air Housing, Right Side
5	150-1725	Governor Control Mounting Bracket	19	815-0261	Cap Screw, Hex Head Locking (1/4 - 20 x 7/16")
6	153-0514	Cable Clip	20	134-3646	Housing Support, Left Side
7	526-0214	Flat Washer (1 7/8" I.D. x 1 1/2" O.D. x 1/16" Thick)	21	821-0015	Cap Screw, Hex Head Locking (1/4 - 20 x 5/8")
8	150-1269	Bushing	22	134-3691	Housing Support, Right Side
9	821-0010	Hex Head Cap Screw, Locking (1/4 - 20 x 1/2")	23	134-3589	Housing, Screen
10	815-0261	Cap Screw, Hex Head Locking (1/4 - 20 x 7/16")	24	815-0216	Cap Screw, Hex Head w/ET (No. 14 x 1 1/2")
11	821-0010	Cap Screw, Hex Head Locking (1/4 - 20 x 1/2")	25	134-3510	Support Mounting Bracket
12	815-0474	Cap Screw, Tapping Hex Head (1/4 - 20 x 1/2")	26	134-3511	Housing Support, Lower
13	870-0107	Nut, Spring (No. 14)	27	821-0009	Cap Screw, Hex Head Locking (1/4 - 20 x 3/8")
14	134-3747	Air Housing			

REPAIR PARTS

20T GARDEN TRACTOR-MODEL NO. T9329AR
ONAN ENGINE-MODEL NO. N52M-GA019.9/3580B

IGNITION AND BREAKER BOX GROUP



ALL ENGINE PARTS MUST BE PURCHASED THROUGH AND SERVICE PERFORMED BY YOUR LOCAL ONAN DEALER.

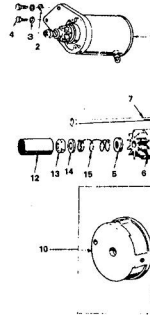
KEY NO.	PART NO.	DESCRIPTION
1	160-1210	Breaker Box (Inc. Parts Marked *)
1	812-0108	"Round Head" Hex. Machine Screw (No. 10 - 24 x 1 - 1/2")
2	509-0065	"Retainer"
3	526-0008	"Flat Washer (1/32\" I.D. x 7/16\" O.D. x 1/32\" Thick)
4	160-1222	"Cover"
5	815-6268	"Cap Screw, Slotted (No. 8 - 32 x 5/16\")"
6	850-0025	"Lockwasher - Spring (No. 8)"
7	312-0186	"Condenser"
8	802-0034	"Cap Screw Socket Head (1/4 - 20 x 3/4\")"
9	850-0038	"Lockwasher, Spring (1/4\")"
10	160-1183	"Point Set"
11	160-1219	"Base"
12	160-1150	"Gasket"
13	160-1151	"Plunger"
14	336-2378	"Lead (Breaker Box to Coil)"

KEY NO.	PART NO.	DESCRIPTION
15	166-0035	"Coil"
16	166-0004	"Cap (Part of Ignition Co.)"
17	SPARK PLUG CABLE	"SPARK PLUG CABLE"
18	167-1596	"16\" "
19	167-1596	"16\" "
20	890-0040	"Lockwasher, Spring (1/4\")"
21	892-0001	"Hex Nut (1/4 - 20)"
22	168-0080	"Bracket"
23	815-0281	"Cap Screw (1/4 - 20 x 9/16)"
24	167-0291	"Spark Plug"
25	850-0065	"Washer - Primary Terminal"
26	166-0254	"Ignition Coil Nut (Primary Terminal)"
26	160-1213	"Turn-up Kit (Inc. Points and Condenser)"
*PARTS INCLUDED IN 160-1210 BREAKER BOX		

REPAIR PARTS

20T GARDEN TRACTOR-MODEL NO. T9329AR
ONAN ENGINE-MODEL NO. N52M-GA019.9/3580B

STARTER PARTS GROUP



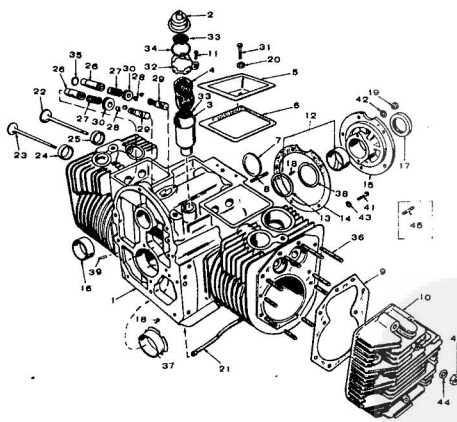
ALL ENGINE PARTS MUST BE PURCHASED THROUGH AND SERVICE PERFORMED BY YOUR LOCAL ONAN DEALER.

KEY NO.	PART NO.	DESCRIPTION
1	191-1205	Starter (Complete)
2	526-0113	Flat Washer (1/16\" I.D. x 1\" O.D. x 3/32\" Thick)
3	850-0045	Lockwasher, Spring (5/16\")"
4	800-0028	Cap Screw, Hex Head
5	191-1047	Spacer
6	191-1157	Drive Assembly
7	191-1157	Cap Screw, Hex Head
8	050-0040	Lockwasher, Spring (1/4\")"
9	191-1223	Cap Assembly
10	191-1158	Armature
11	191-1154	Brush Cover
12	191-1034	Brush
13	191-1046	Flat Washer
14	191-1036	Spring
15	191-1036	Spring
16	191-1222	Brush, Spring and Stud Kit

REPAIR PARTS

20T GARDEN TRACTOR-MODEL NO. T9329AR
ONAN ENGINE-MODEL NO. N52M-GA019.9/3580B

CYLINDER BLOCK GROUP



ALL ENGINE PARTS MUST BE PURCHASED THROUGH AND SERVICE PERFORMED BY YOUR LOCAL ONAN DEALER.

REPAIR PARTS

20T GARDEN TRACTOR-MODEL NO. T9329AR
ONAN ENGINE-MODEL NO. N52M-GA019.9/3580B

CYLINDER BLOCK GROUP

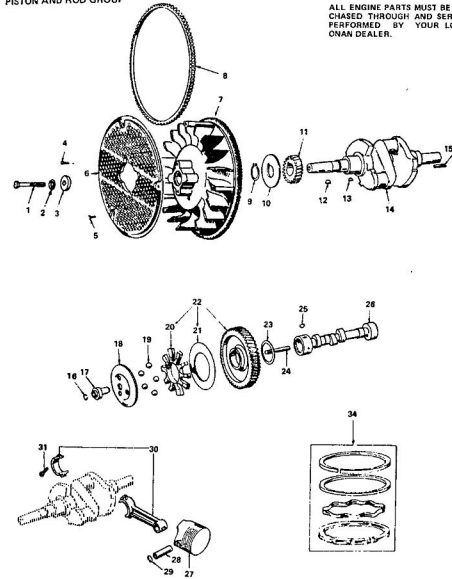
KEY NO.	PART NO.	DESCRIPTION	KEY NO.	PART NO.	DESCRIPTION
1	110-2686	Cylinder Block Assembly (Inc. Parts Marked *)	29	VALVE TAPPET	Standard
2	123-0964	Breather Cap and Valve	30	110-0094	Valve Retainer
3	123-0952	"Breather Tube"	31	800-0011	Hex Head Cap Screw (1/4 - 20 x 2\")"
4	123-0965	Ball Pin	32	123-0851	Breather Cap Clamp
5	110-1624	"Valve Compartment Cover"	33	123-0958	Breather Screen
6	110-1720	Valve Cover Gasket	34	509-0017	Breather Tube Seal
7	317-0068	"Expansion Plug"	35	110-0068	"Breaker Valve Guide Gasket"
8	520-0738	"Stud"	36	CYLINDER HEAD STUD	520-0717 *3/8 x 1 - 7/8"
9	110-1731	Head Gasket	37	CYLINDER HEAD STUD	520-0717 *3/8 x 2 - 5/16"
10	110-2975	Cylinder Head	37	CRANKSHAFT BEARING, FRONT	101-0432 Standard
11	809-0205	Round Head Self Tapping Screw (No. 8 x 3/4\")"	37	CRANKSHAFT BEARING, FRONT	101-0432 Standard
12	CRANKSHAFT BEARING, REAR	101-0400 Standard	38	194-0778	*Crankshaft Shim
13	104-0675	"Thrust Washer"	39	516-0141	"Alignment Pin"
14	101-0415	"Bearing Plate Gasket"	40	194-0091	Hex Nut (3/8 - 24)"
15	101-0439	"Bearing Plate, Rear"	41	800-0046	"Hex Head Cap Screw (3/8 - 16 x 1/2\")"
16	101-0405	"Crankshaft Bearing"	42	526-0251	"Flat Washer (406\" I.D. x .588\" O.D. x .135\" Thick)"
17	809-0041	"Crankshaft Oil Seal"	43	526-0066	"Flat Washer, Copper (25.64\" I.D. x 8/16\" O.D. x 1/16\" Thick)"
18	516-0072	"Bearing Stop Pin"	44	526-0250	"Flat Washer, Steel (.407\" I.D. x 1\" O.D. x 1/8\" Thick)"
19	194-0091	"Hex Nut (3/8 - 24)"	45	520-0820	"Stud (Wet Hole)"
20	526-0063	"Flat Washer, Copper (17.64\" I.D. x 7/16\" O.D. x 1/32\" Thick)"	*PARTS INCLUDED IN CYLINDER BLOCK ASSEMBLY.		
21	120-3680	"Oil Tube"	SERVICE KITS AND MISCELLANEOUS		
22	110-1514	Intake Valve	PART NO.	DESCRIPTION	
23	110-1719	Exhaust Valve	98-2629	Decal Kit	
24	VALVE SEAT INSERT, EXHAUST	110-1718 "Standard"	168-0142	Engine Gasket Kit	
		110-1718-01 "O.D. Oversize"	168-0121	Carbon Removal Kit	
		110-1718-02 ".006\" Oversize"	100-1213	Ignition Turn-up Kit	
		110-1718-03 ".010\" Oversize"	522-0000	Engine Overhaul Kit	
25	VALVE SEAT INSERT, INTAKE	110-1718-04 ".006\" Oversize"			
		110-1718-05 ".010\" Oversize"			
		110-1718-06 ".014\" Oversize"			
		110-1718-07 ".018\" Oversize"			
		110-1718-08 ".022\" Oversize"			
26	110-1529	"Valve Guide"			
27	110-0528	Valve Spring			
28	110-0639	Valve Spring Lock			

REPAIR PARTS

20T GARDEN TRACTOR-MODEL NO. T9329AR
ONAN ENGINE-MODEL NO. N52M-GA019.9/3580B

CRANKSHAFT, FLYWHEEL, CAMSHAFT,
PISTON AND ROD GROUP

ALL ENGINE PARTS MUST BE PURCHASED THROUGH AND SERVICE PERFORMED BY YOUR LOCAL ONAN DEALER.



REPAIR PARTS

20T GARDEN TRACTOR-MODEL NO. T9329AR
ONAN ENGINE-MODEL NO. N52M-GA019.9/3580B

CRANKSHAFT, FLYWHEEL, CAMSHAFT,
PISTON AND ROD GROUP

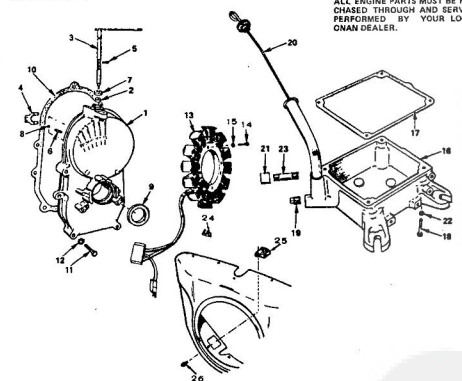
KEY NO.	PART NO.	DESCRIPTION
1	104-0170	Cap Screw (Special)
2	850-0055	Lockwasher, Spring (7/16")
3	526-0267	Flat Washer (15/16" I.D. x 1-1/2" O.D. x .31" Thick)
4	821-0014	Cap Screw, Hex Head Locking (5/16-18 x 1/2")
5	815-0400	Screw, Truss Hd. Mach. w/Ext. Lw. (1/4-20 x 1/2")
6	134-3212	Flywheel, Guard
7	134-2740	Flywheel (Inc. Ring Gear and Magnet)
8	104-0178	Ring Gear
9	518-0014	Retaining Ring
10	104-0043	Retaining Washer
11	104-0032	Gear
12	515-0237	Flywheel Key
13	515-0001	Gear Key
14	104-1048	Crankshaft
15	515-0103	Key
16	160-0078	Retaining Ring
17	160-1519	Hub
18	160-1520	Cup
19	510-0015	Flyball
20	160-1257	Spacer
21	160-0071	Plate
22	106-0332	Gear Assembly (Inc. Plate and Spacer)
23	105-0054	Thrust Washer
24	160-0075	Center Pin
25	515-0001	Key
26	105-0282	Camshaft (Includes Center Pin)
27	PISTON AND RING SET	(Includes Retaining Ring)
	112-0198	Standard
	112-0198-05	.05" Oversize
	112-0198-10	.10" Oversize
	112-0198-20	.20" Oversize
	112-0198-30	.30" Oversize
	112-0198-40	.40" Oversize
28	112-0088	Piston Pin
29	018-0294	Retaining Ring
30	CONNECTING ROD	Standard
	114-0295	Standard
	114-0295-10	.10" Undersize
	114-0295-20	.20" Undersize
	144-0295-30	.30" Undersize
31	890-0038	Rod Cap Bolt
34	RING SET	
	113-0203	Standard
	113-0203-05	.05" Oversize
	113-0203-10	.10" Oversize
	113-0203-20	.20" Oversize
	113-0203-30	.30" Oversize
	113-0203-40	.40" Oversize

REPAIR PARTS

20T GARDEN TRACTOR-MODEL NO. T9329AR
ONAN ENGINE-MODEL NO. N52M-GA019.9/3580B

OIL BASE AND GEARCASE GROUP

ALL ENGINE PARTS MUST BE PURCHASED THROUGH AND SERVICE PERFORMED BY YOUR LOCAL ONAN DEALER.



KEY NO.	PART NO.	DESCRIPTION	KEY NO.	PART NO.	DESCRIPTION
1	103-0498	Gearcase Assembly (Inc. Parts Marked *)	13	191-1218	Stator
2	510-0105	*Bearing	14	813-0108	Round Head Machine Screw (No. 10-32 x 1-1/2")
3	150-1410	*Shaft and Arm	15	850-0030	Lockwasher (No. 10)
4	150-1187	*Yoke	16	102-0789	Oil Base
5	815-0046	*Flat Head Machine Screw (No. 8-32 x 3/8")	17	102-0894	Oil Base Gasket
6	516-0130	*Dowel Pin	18	800-0965	Hex Head Cap Screw (3/8-16 x 1-1/4")
7	509-0038	*Oil Seal	20	123-1392	Cap and Indicator
8	510-0014	*Bolt	21	506-0198	Oil Drain Cap, Plug (1/2")
9	509-0040	*Oil Seal	22	850-0950	Lockwasher (3/8")
10	103-0498	Gasket	23	505-0735	Oil Drain Plug, Plug (1/2 x 3-1/2")
11	CAP SCREW, HEX HEAD		24	187-0218	Support Alternator Leads
	800-0031	5/16-18 x 1-3/4"	25	191-1206	Regulator, Voltage (15 Amp)
	800-0034	5/16-18 x 2-1/4"	26	821-0010	Hex Head Cap Screw (1/4-20 x 1/2")
12	526-0065	Flat Washer, Copper (21/64" I.D. x 9/16" O.D. x 1/16" Thick)			

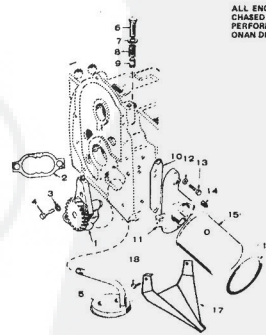
* Parts included in 103-0498 Gearcase Assembly

REPAIR PARTS

20T GARDEN TRACTOR-MODEL NO. T9329AR
ONAN ENGINE-MODEL NO. N52M-GA019.9/3580B

OIL SYSTEM GROUP

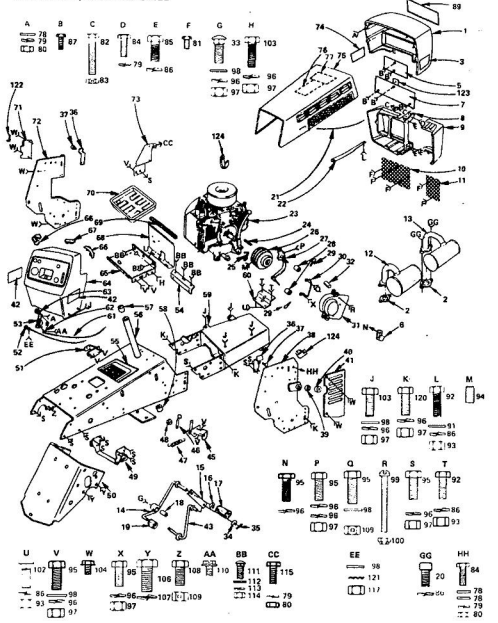
ALL ENGINE PARTS MUST BE PURCHASED THROUGH AND SERVICE PERFORMED BY YOUR LOCAL ONAN DEALER.



KEY NO.	PART NO.	DESCRIPTION
1	120-0491	Oil Pump
2	120-0101	Pump Gasket Kit
3	850-0040	Lockwasher, Spring (1/4")
4	801-0007	Cap Screw, Hex Head (1/4-20 x 1")
5	120-0713	Oil Intake Cup
6	801-0050	Cap Screw, Hex Head (3/8-24 x 1")
7	526-0066	Flat Washer, Copper (15/64" I.D. x 9/16" O.D. x 1/16" Thick)
8	120-0140	Spring
9	120-0398	By Pass Valve
10	122-0231	Gasket
11	122-0320	Oil Filter Adapter
12	506-0055	Flat Washer, Copper (21/64" I.D. x 9/16" O.D. x 1/16" Thick)
13	800-0028	Cap Screw, Hex Head (5/16-18 x 1")
14	506-0057	Plug (1/8")
15	123-0489	Oil Filter
16	123-0347	Oil Filter Air Seal
17	122-0320	Oil Drain
18	815-0194	Cap Screw Hex Head W/E (No. 10-32 x 3/8")

REPAIR PARTS

20T GARDEN TRACTOR-MODEL NUMBER T9329BR MAIN FRAME, DASH AND GRILL



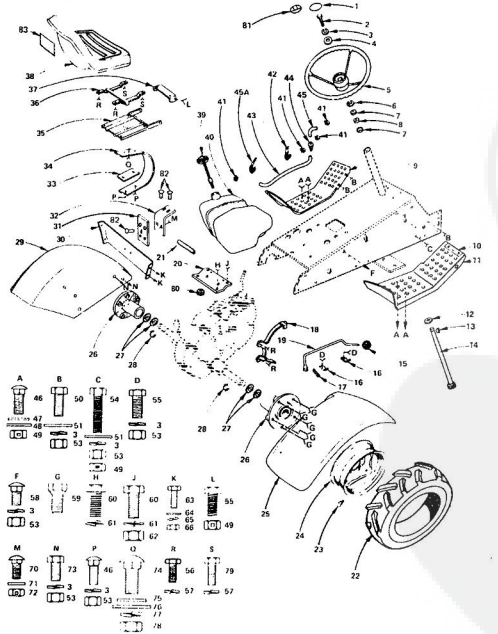
REPAIR PARTS

20T GARDEN TRACTOR-MODEL NUMBER T9329BR MAIN FRAME, DASH AND GRILL

Table listing repair parts for the 20T garden tractor main frame, dash, and grill. Columns include Key No., Part No., Description, Key No., Part No., and Description.

REPAIR PARTS

20T GARDEN TRACTOR-MODEL NUMBER T9328BR STEERING AND FINAL DRIVE



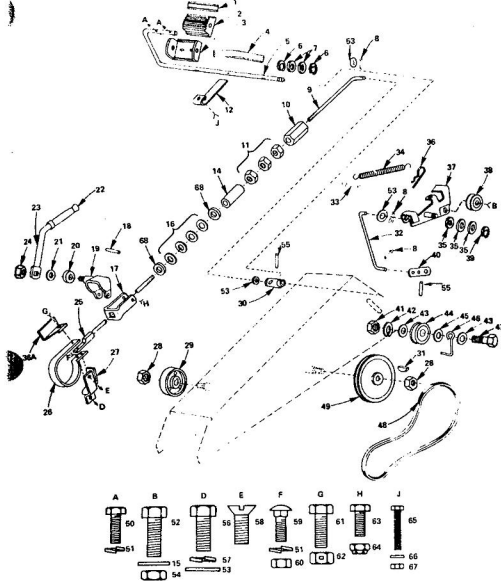
REPAIR PARTS

20T GARDEN TRACTOR-MODEL NUMBER T9328BR STEERING AND FINAL DRIVE

Table listing repair parts for the 20T garden tractor steering and final drive. Columns include Key No., Part No., Description, Key No., Part No., and Description.

REPAIR PARTS

20T GARDEN TRACTOR-MODEL NUMBER T9329BR
BRAKE AND CLUTCH



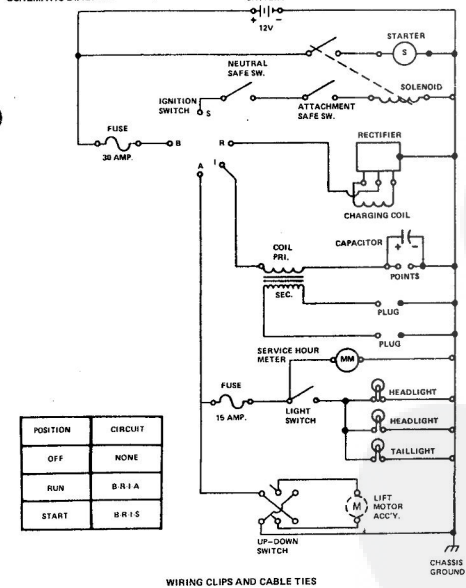
REPAIR PARTS

20T GARDEN TRACTOR-MODEL NUMBER T9329BR
BRAKE AND CLUTCH

KEY NO.	PART NO.	DESCRIPTION	KEY NO.	PART NO.	DESCRIPTION
1	889R	Insert Clutch Brake	37	634A/754	Lock Washer 1/4
2	880R	Front Pinion	38	665H	Pinion
3	876H	Front Pinion Bracket	39	5007P	E Ring
4	900B1	Spring	40	634A/88H	Shim Wash. Assembly
5	1114	Front Pinion Shaft	41	600P	Hex Nut 7/16 1/4 UNC
6	5005P	E Ring	42	1001P	Lockwasher 7/16
7	1007P	Washer 21/32 x 7/8 x 1/16 Ga.	43	1500P	Washer 15/32 x 1/8 1/8 x 11 Ga.
8	2005P	Coil Pin 1/8 x 3/4	44	665H	Pinion
9	2005H	Brake Rod - Front	45	1500P	Washer 15/32 x 1/8 1/8 x 11 Ga.
10	6117H	Turbocharger	46	647B1H	Ball Finger
11	501P	Hex Nut 3/8 1/8 UNC	47	3200P	Hex Bolt 7/16 1/4 x 2 1/2 V Bolt
12	7803R	Safety Start Actuator	48	2602R	Pinion, Transmission
14	2001H	Washer	49	6461H	Pinion, Transmission
15	1507P	Washer 13/32 x 13/16 x 11 Ga.	50	3003P	Hex Bolt 1/4 20 x 3/4
16	2001H	Spring Washer	51	1002P	Lockwasher 1/4
17	9886R	Parking Brake Yoke	52	3341P	Pin. Hex Bolt 3/8 24 x 1
18	1701	Roll Pin	53	1513P	Washer 13/32 x 13/16 x 16 Ga.
19	624A/887	Lock Bracket Assembly	54	544P	Hex Jam Nut 3/8 24 UNF
20	2001H	Parking Brake Spacer	55	8142H	Roll Pin
21	5006H	Spring Washer	56	3002P	Hex Bolt 3/8 16 x 7/8
22	4379H	Handle Grip	57	1004P	Lockwasher 3/8
23	624A/341	Parking Lock Handle Assembly	58	2164P	Flat Hd. Machine Screw Undercut 3/8 16 x 3/4
24	7819H	Grass Control Lock Nut 3/8 24 UNF	59	11P	5/16 Neck Grass Nut 1/4 20 x 5/8
25	624A/300	Brake Rod Assembly	60	600P	Hex Nut 1/4 20 UNC
26	673A/211	Brake Band Assembly	61	3150P	Locknut 5/16 18 UNC
27	624A/300	Brake Rod Assembly	62	1605H	Hex Bolt 1/4 28 x 5/8 G. 5
28	5024H	Lock Nut 1/2 20 UNF	64	8071H	Hex Bolt 1/4 28 x 5/8 G. 5
29	624A/859	Brake Arm Assembly	65	3326P	Hex Hd. Mach. Screw 5/32 x 1
30	9886M1	Brake Drum	66	1507P	Washer 15/32 x 1/8 1/8 x 11 Ga.
31	9886M1	Brake Drum	67	562P	Conerlock Nut 6 22 UNC
32	2014P	Coil Pin 1/4 x 1	68	1602P	Washer 13/32 x 5/8 x 11 Ga.
33	1507P	Washer 13/32 x 1 1/16 x 21 Ga.			
34	6023M	Retainer Spring			
36A	5444	Moose Shield			

REPAIR PARTS

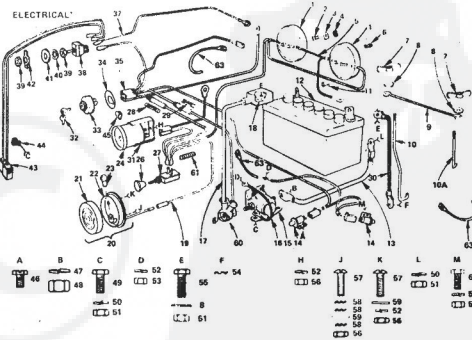
20T GARDEN TRACTOR-MODEL NUMBER T9329BR
SCHEMATIC DIAGRAM



If Clips or Ties were removed for servicing of unit, they should be replaced to properly secure your wiring.

REPAIR PARTS

20T GARDEN TRACTOR-MODEL NUMBER T9329BR
ELECTRICAL



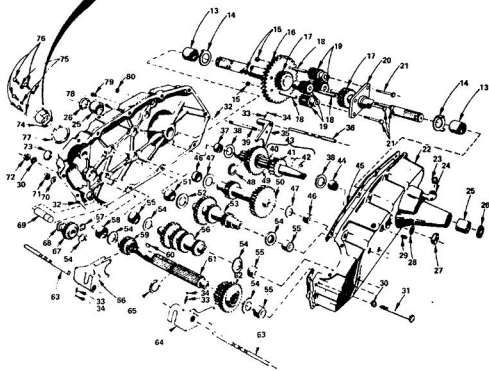
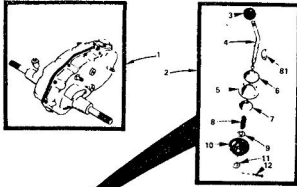
KEY NO.	PART NO.	DESCRIPTION	KEY NO.	PART NO.	DESCRIPTION
1	6452R	Headlight	33	2683R	Ignition Switch
2	5554P	Phillips Pan Hd. Thd. Cutting Screw No. 10 x 1 1/2	34	8658R	Terminal Identifier
3	8768H	Mounting Clip	37	9608R	Wire, Ground Lift Switch
4	8768H1	Rubber Spacer	38	8984R	Switch, Elec. Lift
5	8031R	Headlight Ground Wire	39	560P	Hex Nut, Steel 7/16 32 NS 2A
6	9107H	Insulator	40	7131R	Lockwasher, Internal Tooth
7	3748M	Wing Nut 1/4 20 UNC	41	1518P	Washer 15/32 x 13/16 1/8 Ga.
8	1506P	Washer 3/32 x 5/8 x 1/8 Ga.	42	9348R	Switch Plate
9	7954R	Battery Clamp	43	8984R	Lift Motor Harness
10	2683R	Battery Bolt	44	5320R	Clip, Wire
10A	887	Insulator Cap	45	8915H	Clip
11	4171R	Battery	46	9534P	Slothead Hex Internal Hd. Self Tapping Screw No. 10 24 x 3/8 Type 1
12	226L	Battery	47	1003P	Lockwasher 5/16
13	2235R	Coil - Solenoid to Start	48	638P	Hex Jam Nut 5/16 24 UNF
14	7755R	Safety Switch	49	3116P	Hex Bolt 1/4 20 x 5/8
15	7754R	Solenoid	50	1002P	Lockwasher 1/4
16	8027R	Wire - Ground to Solenoid	51	600P	Hex Nut 1/4 20 UNC
17	1161	Battery Cable	52	1005P	Lockwasher No. 10
18	225L	Terminal Cover	53	504P	Hex Nut No. 10 32 UNF
19	8030R	Light Harness	54	1402P	Hex Bolt 1/4 20 x 3/8
20	8098H	Taillight (Inc. Key No's. 21, 22, & 23)	55	2602P	Hex Bolt 1/4 20 x 3/4
21	8227H	Light - Taillight	56	5005P	Hex Bolt No. 10 24 UNC
22	8227H	Light - Taillight	57	2602P	Hex Bolt 1/4 20 x 3/8
23	8227H	Light - Taillight	58	5005P	Hex Bolt No. 10 24 UNC
24	7132R	Maintenance Meter	59	2602P	Shut-Track Hd. Mach. Screw 10 24 x 3/4
25	7130R	Light Switch Knob	56	1404P	Ext. Tooth Lockwasher No. 10
26	7213R	Light Switch Knob	57	1604P	Washer 7/32 x 2 1/2 x 18 Ga.
27	7213R	Light Switch Knob	60	514	Solenoid Terminal Cover
28	7213R	Light Switch Knob	61	1604P	Washer 7/32 x 2 1/2 x 18 Ga.
29	7213R	Light Switch Knob	62	3218P	Hex Hd. Mach. Screw No. 10 24 x 1/2
30	7213R	Light Switch Knob	63	1320R	Coil for
31	7213R	Light Switch Knob			
32	7552H	Maintenance Meter Key Set			

*STANDARD HARDWARE PURCHASE LOCALLY

REPAIR PARTS

20T GARDEN TRACTOR-MODEL NUMBER T9329BR

TRANSAXLE



REPAIR PARTS

20T GARDEN TRACTOR-MODEL NUMBER T9329BR

TRANSAXLE

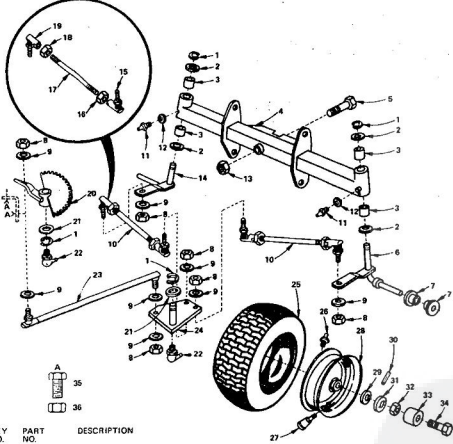
KEY NO.	PART NO.	DESCRIPTION	KEY NO.	PART NO.	DESCRIPTION
1	633A92	Transaxle Assembly Left Brake Drum & Shift Lever (Inc. Key No's 13 thru 80)	44	8119M	Needle Bearing
2	633A87	Gear Shift Lever Assembly (Inc. Key No's 1 thru 12 and 81)	45	5975H	Clutch Gearcase
3	6384H	Control Knob	46	8117M	Needle Bearing
4	8635R	Gear Shift Lever	47	7395H	Thrust Bearing Race
5	633A85	Gear Shift Ball Cover and Pin	48	6270H	Snap Ring - Crescent Type
6	8013R	Gear Shift Cap	49	633A14	High - Low Range Gears and Hub
7	8159H1	Shift Lever Guide Bolt	50	633A33	4th Reduction Shaft and Gears
8	4924H	Spring	51	7398H	Needle Bearing
9	1525P	Washer 15/32 x 59/64 x 18 Ga.	52	7395H	Thrust Bearing Race
10	8165R	Shift Mechanism Seal	53	633A31	3rd Reduction Shaft and Gears
11	1525P	Washer 9/16 x 15/16 x 11 Ga.	54	1370H	Thrust Bearing Race
12	2025P	Cotter Pin 3/4	55	4895H	Steel Change Gears and Shafts
13	3039R	Needle Bearing	56	633A30	Needle Bearing
14	6256H	Axle Thrust Washer	57	5001P	E Ring
15	7810H	Cast Lock Groove Nut 3/8 - 24 UNF	58	4584H	Needle Bearing
16	8622H	Final Drive Gear	59	6231H	Low Speed Pinion
17	633A73	Axle Shaft and Gear	60	9658H1	Woodruff Key
18	6252H1	Ball Bearing - Differential Pinion	61	6218H	Input Shaft
19	8957H	Differential Pinion	62	633A11	Intermediate and High Speed Pinions
20	6262H1	Differential Case	63	6216H	Shift Fork - R.H.
21	3056P	Hex Bolt 3/8 - 24 x 3 - 1/4	64	4218R	Shift Fork - L.H.
22	633A89	Gear Case and Bearings - L.H.	65	4920H	Snap Ring - Crescent Type
23	4002P	Pipe Plug 1/2 - 14 N.P.T.	66	6292H	Shift Fork - R.H.
24	4603P	90 Street Elbow 1/2 - 14 N.P.T.	67	1153R	Reverse Idler Gear
25	892R1	Sintered Iron Bearing	68	7394H	Reverse Idler Thrust Washer
26	8004H	Lock Nut	69	7384H	Reverse Idler Shaft
27	7393R	Oil Seal	70	1676R	Sealing Washer
28	8271H	Oil Seal	71	541P	Hex Jam Nut 7/16 - 20 UNF
29	8204H	Lock Nut	72	804P	Hex Nut 5/16 - 18 UNC
30	1007P	Lockwasher 5/16 Extra Heavy	73	6270H	Oil Seal
31	3087P	Hex Bolt 5/16 - 18 x 1 - 1/2 G.S.	74	751	Gear Shift Gate
32	8277H	Down Pin	75	1003P	Lockwasher 5/16
33	6272H	Spring - Shift Fork Detent	76	2158P	Reverse Idler Thrust Washer
34	7393M	Steel Washer	77	8274H	Gasket - Shift Ball Cover
35	5202H	Shift Fork High - Low Range	78	633000	Gear Case, Reverse Idler Shaft and Bearings R.H.
36	8217H	High - Low Range Shift Fork Shaft	79	5855H	Pressure Relief Valve
37	8118M	Needle Bearing	80	6269H	Oil Seal
38	6266H	Thrust Bearing Race	81	7835M	Woodruff Key
39	6215H	High - Low Range Shift Shaft			
40	6221H	3rd Reduction Gear Shaft			
41	8692H	4th Reduction Pinion			
42	2239M	Woodruff Key			
43	633A32	3rd Reduction Shaft and Gear (Inc. Key No's 40, 41 & 42)			

*STANDARD HARDWARE - PURCHASE LOCALLY

REPAIR PARTS

20T GARDEN TRACTOR-MODEL NUMBER T9329BR

FRONT AXLE



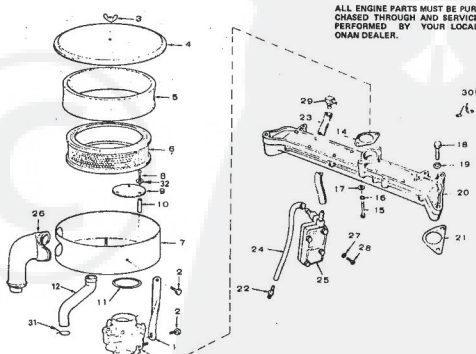
KEY NO.	PART NO.	DESCRIPTION	KEY NO.	PART NO.	DESCRIPTION
1	5000P	E-Ring	22	6842M	Grease Fitting
2	1525P	Washer 15/16 x 1 - 1/4 x 14 Ga.	23	7837H	Die Link and Spring
3	1329H1	Bearing	24	634A98	Evening Self-Center Adjustment
4	634A521	Front Axle w/Bearing (Inc. Key No. 3)	25	3536P	Roller 1 1/2 x 1 1/2 x 1 1/2
5	3294P	Hex Bolt 5/8 - 11 x 6 Grade 5	26	3636R	Roller 1 1/2 x 1 1/2 x 1 1/2
6	634A277	Sprocket Complete - R.H.	27	796R	Roller 1 1/2 x 1 1/2 x 1 1/2
7	8040H	Furrow Bearing	28	3636R	Roller When in Bearings
8	78124	Graco Lock Nut 3/8 - 24 UNF	29	1525P	Washer 15/32 x 1 - 1/2 x 18 Ga.
9	26124	Graco Washer 3/8 - 24 UNF	30	8788H	Roll Pin 5/32 x 1 1/2
10	7838R	Graco Lock Nut 1/2 - 20 UNF	31	8788H	Wear Washer
11	6855M	Grake Fitting	32	4831H	Elastic Nut 3/4 - 16 UNF
12	1525P	Washer 9/32 x 1 1/2 x 14 Ga.	33	8788H	Drive Coupler
13	4794H	Huglock Nut 5/8 - 11 UNC	34	3008P	Hex Bolt 5/16 - 18 x 1/2
14	634A278	Sprocket Complete - L.H.	35	3241P	Hex Bolt 3/8 - 24 x 1
15	8515R	Tie Rod Joint (R.H. Thread)	36	546P	Hex Jam Nut 3/8 - 24 UNF
16	558P	Hex Jam Nut 1/2 - 20 (L.H. Thread)			
17	634A810	Tie Rod and Nut (Inc. Key No's 16 & 18)			
18	558P	Hex Jam Nut 1/2 - 20 (L.H. Thread)			
19	8514R	Tie Rod Joint (L.H. Thread)			
20	634A813	Steering Gear Sector and Arm			
21	1525P	Washer 49/64 x 1 - 1/4 x 16 Ga.			

*STANDARD HARDWARE - PURCHASE LOCALLY

REPAIR PARTS

20T GARDEN TRACTOR-MODEL NUMBER T9329BR
ONAN ENGINE-MODEL NO. N52M-GA019.9/3580B

FUEL SYSTEM GROUP



ALL ENGINE PARTS MUST BE PURCHASED THROUGH AND SERVICE PERFORMED BY YOUR LOCAL ONAN DEALER.

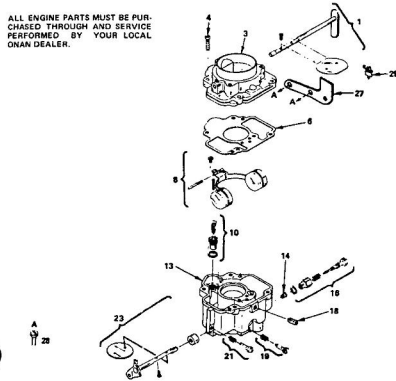
KEY NO.	PART NO.	DESCRIPTION	KEY NO.	PART NO.	DESCRIPTION
1	140-1459	Air Cleaner Support	17	5260115	Flux Washer (1 1/2" O.D. x 1 1/2" Thick)
2	821-0009	Cap Screw, Hex Head Locking (1 1/4 - 20 x 3/8")	18	800-0050	Cap Screw, Hex Head (3/8 x 1 1/2 x 3")
3	885-0020	Wing Nut (1/4 - 20)	19	850-0050	Lockwasher, Spring (3/8")
4	140-1484	Air Cleaner Cover	20	154-2029	High-Material Gasket
5	140-1496	Washer	21	154-1931	Gasket
6	140-1225	E-clip	22	542-1295	Gasket
7	4-62-1498	Air Filter Element	23	542-1295	Gasket
8	8-5-2471	Hex Head Nut, 1/2 - 20 x 1 1/2	24	542-1295	Gasket
9	140-1530	Diaphragm Plate	25	542-1295	Gasket
10	140-1501	Spacer	26	142-4296	Air Filter
11	509-0145	Seal, "O" Ring	27	850-0025	Roller Mount Machine Spring (Hex B 32 x 1 1/4")
12	121-1054	Bushings	28	812-0075	Elbow
13	148-0271	Collector Assembly (See Separate Draw for Components)	29	502-6133	Lifting Bracket
14	154-0733	Gasket	30	403-1490	Hex Clamp
15	800-0035	Cap Screw, Hex Head (5/8 - 16 x 2 - 1/2")	32	850-0020	Lockwasher (Hex 10)
16	850-0045	Lockwasher, Spring (5/16")			

REPAIR PARTS

20T GARDEN TRACTOR—MODEL NUMBER T93298R
ONAN ENGINE—MODEL NO. N52M-GA019.9/3580B

CARBURETOR PARTS GROUP

ALL ENGINE PARTS MUST BE PURCHASED THROUGH AND SERVICE PERFORMED BY YOUR LOCAL ONAN DEALER.



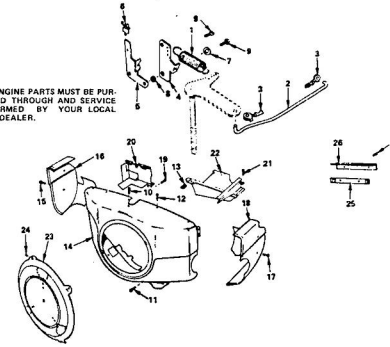
KEY NO.	PART NO.	DESCRIPTION	KEY NO.	PART NO.	DESCRIPTION
1	146-0271	Carburetor Assembly, Complete	18	146-0211	Set Screw
2	146-0290	Choke Shaft Package	19	146-0209	Needle Package
3	146-0224	Air Intake (Not Sold Separately)	21	146-0251	Screw Package
4	146-0224	Screw	22	146-0270	Throttle Shaft Package
5	146-0293	Gasket	27	153-0515	Bracket, Choke Cable
6	146-0292	Float Assembly Package	28	821-0002	Mounting Screw
8	146-0272	Valve and Seat Package	29	153-0514	Cable Cup
10	146-0272	Body (Not Sold Separately)	28	821-0002	Mounting Screw
13	146-0238	Power Jet	---	146-0270	*Gasket Kit
14	146-0238	Power Needle Package	---	146-0228	*Repair Kit (Includes Parts Marked *)
16	146-0214		---	---	*PARTS CONTAINED IN 146-0228 REPAIR KIT.

REPAIR PARTS

20T GARDEN TRACTOR—MODEL NUMBER T93298R
ONAN ENGINE—MODEL NO. N52M-GA019.9/3580B

GOVERNOR AND AIR HOUSING GROUP

ALL ENGINE PARTS MUST BE PURCHASED THROUGH AND SERVICE PERFORMED BY YOUR LOCAL ONAN DEALER.



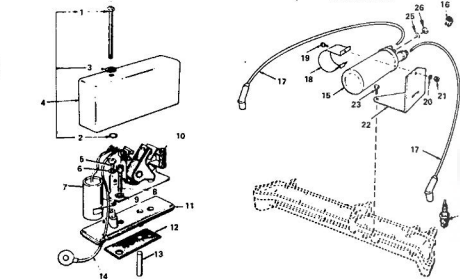
KEY NO.	PART NO.	DESCRIPTION	KEY NO.	PART NO.	DESCRIPTION
1	150-1214	Governor Spring	15	815-0261	Cap Screw, Hex Head Locking (1/4" x 20 x 7/16")
2	150-1813	Throttle Link	16	134-3448	Air Housing, Left Side
3	518-0204	Clc	17	815-0261	Cap Screw, Hex Head Locking (1/4" x 20 x 7/16")
4	150-1576	Governor Control Arm	18	134-3448	Air Housing, Right Side
5	150-1725	Governor Control Mounting Bracket	19	815-0261	Cap Screw, Hex Head Locking (1/4" x 20 x 7/16")
6	153-0514	Cable Clip	20	134-2648	Housing Support, Left Side
7	525-0214	Fuel Wafers (1/2" O.D. x 1/2" I.D. x 1/16" Thick)	21	821-0018	Cap Screw, Hex Head Locking (1/4" x 20 x 5/8")
8	150-1269	Bushing	22	134-3591	Housing Support, Right Side
9	821-0010	Hex Head Cap Screw, Locking (1/4" x 20 x 1/2")	23	134-3589	Housing, Screen
10	815-0261	Cap Screw, Hex Head Locking (1/4" x 20 x 7/16")	24	815-0278	Cap Screw, Hex Head w/ET (No. 14 x 1/2")
11	821-0010	Cap Screw, Hex Head Locking (1/4" x 20 x 1/2")	25	134-3510	Support Mounting Bracket
12	815-0474	Cap Screw, Tapping Hex Head (1/4" x 1/2")	26	134-3511	Housing Support, Lower
13	870-0107	Nut, Special (No. 14)	27	821-0009	Cap Screw, Hex Head Locking (1/4" x 20 x 3/8")
14	134-3747	Air Housing			

REPAIR PARTS

20T GARDEN TRACTOR—MODEL NUMBER T93298R
ONAN ENGINE—MODEL NO. N52M-GA019.9/3580B

IGNITION AND BREAKER BOX GROUP

ALL ENGINE PARTS MUST BE PURCHASED THROUGH AND SERVICE PERFORMED BY YOUR LOCAL ONAN DEALER.



KEY NO.	PART NO.	DESCRIPTION	KEY NO.	PART NO.	DESCRIPTION
1	160-1210	Breaker Box (See Part Marked *)	15	160-0535	Coil
1	812-0100	*Round Head Machine Screw (No. 10 - 24 x 1 - 1/2")	16	160-0604	Cap (Part of Ignition Coil)
2	500-0065	*Bracket	17	SPARK PLUG CABLE	
3	526-0008	*Flat Washer (1/3 64" I.D. x 7/16" O.D. x 1/32" Thick)	18	167-1596	16"
4	160-1232	*Cover	19	821-0010	Cap Screw, Hex Head Locking (1/4" x 20 x 1/2")
5	815-0258	*Cap Screw, Standard (No. 8 - 32 x 5/16")	20	850-0040	Lockwasher, Spring (1/4")
6	850-0025	*Lockwasher - Spring (No. 8)	21	862-0001	Hex Nut (1/4" - 20)
7	317-0108	*Condition	22	166-0900	Bracket
8	802-0034	*Cap Screw, Socket Head (1/4" x 20 x 3/4")	23	815-0261	Cap Screw (1/4" x 20 x 9/16)
9	850-0036	*Lockwasher, Spring (1/4")	24	167-0251	Spark Plug
10	160-1183	*Power Sw	25	850-2005	Washer
11	160-1219	*Blow	26	166-0564	Ignition Coil Nut
12	160-1150	*Gasket			
13	150-1151	*Blow			
14	336-2378	Load (Breaker Box to Coil)			
150-1213		Tow-up Kit (See Points and Condenser)			

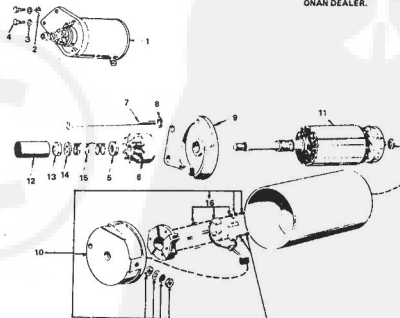
*PARTS INCLUDED IN 160-1210 BREAKER BOX

REPAIR PARTS

20T GARDEN TRACTOR—MODEL NUMBER T93298R
ONAN ENGINE—MODEL NO. N52M-GA019.9/3580B

STARTER PARTS GROUP

ALL ENGINE PARTS MUST BE PURCHASED THROUGH AND SERVICE PERFORMED BY YOUR LOCAL ONAN DEALER.



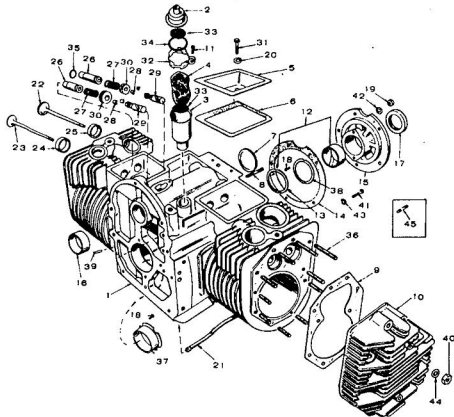
KEY NO.	PART NO.	DESCRIPTION
1	191-1205	Starter (Complete)
2	526-0112	Flat Washer (1/3 32" I.D. x 1" O.D. x 3/32" Thick)
3	850-0045	Lockwasher, Spring (5/16")
4	800-0028	Cap Screw, Hex Head
5	191-1047	Spacer
6	191-1156	Drive Assembly
7	191-1157	Cap Screw, Hex Head Lockwasher, Spring (1/4")
8	850-0040	Cap Assembly
9	191-1222	Cap Assembly
10	191-1156	Cap Assembly
11	191-1154	Armature
12	191-1034	Dust Cover
13	191-1045	Stop Nut
14	191-1046	Fuel Wafers
15	191-1035	Spring
16	191-1222	Brush, Spring and Start Kit

REPAIR PARTS

20T GARDEN TRACTOR-MODEL NUMBER T93298R
ONAN ENGINE-MODEL NO. N52M-GA019.9/3580B

CYLINDER BLOCK GROUP

ALL ENGINE PARTS MUST BE PURCHASED THROUGH AND SERVICE PERFORMED BY YOUR LOCAL ONAN DEALER.



REPAIR PARTS

20T GARDEN TRACTOR-MODEL NUMBER T93298R
ONAN ENGINE-MODEL NO. N52M-GA019.9/3580B

CYLINDER BLOCK GROUP

KEY NO.	PART NO.	DESCRIPTION	KEY NO.	PART NO.	DESCRIPTION
1	110-2668	Cylinder Block Assembly (Inc. Parts Marked *)	29	VALVE TAPPET	115-0006 Standard
2	123-0954	Breather Cap and Valve	30	115-0006-005	005" Overage
3	123-0952	"Breather Tube	31	110-0004	Valve Rotator
4	123-0889	Valve Compartment Cover	31	800-0011	Hex Head Cap Screw (1/4" Dia. x 1")
5	110-1220	Valve Cover Gasket	32	123-0951	Breather Cap Clamp
6	517-0048	Expansion Plug	33	123-0958	Breather Screws
7	520-0736	"Stud	34	509-0017	Breather Tube Seal
8	110-1731	Head Gasket	35	115-0068	"Intake Valve Guide Gasket
9	119-2575	Cylinder Head	36	CYLINDER HEAD STUD	520-0717 "3/8 x 1 1/8"
10	809-0035	Round Head Self Tapping Screw (No. 8 x 3/4")	37	520-0773	"3/8 x 2 5/16"
11	809-0035	Round Head Self Tapping Screw (No. 8 x 3/4")	37	101-0432	CRANKSHAFT BEARING, FRONT
12	CRANKSHAFT BEARING, REAR	101-0432 "Standard"	37	101-0432	"Standard"
	101-0450-02	002" Overage		101-0432-02	002" Overage
	101-0450-10	010" Overage		101-0432-10	010" Overage
	101-0450-20	020" Overage		101-0432-20	020" Overage
	101-0450-30	030" Overage		101-0432-30	030" Overage
13	104-0975	"Thrust Washer	38	104-0776	"Crankshaft Shim
14	101-0418	"Bearing Plate Gasket	38	518-0141	"Alignment Pin
15	101-0439	"Bearing Plate, Rear	40	106-0051	Hex Nut (5/8" Dia.)
16	101-0405	"Camshaft Bearing	41	800-0046	Hex Head Cap Screw (3/8" Dia. x 1 1/2")
17	509-0041	"Crankshaft Oil Seal	42	526-0251	"Flat Washer, 106" I.D. x 688" O.D. x .045 Thick"
18	516-0072	"Bearing Stop Pin	43	526-0068	"Flat Washer, Copper (25.64" I.D. x 9.16" O.D. x 1.16" Thick)
19	104-0291	Hex Nut (3/8" Dia.)	44	526-0250	"Flat Washer, Special (4.67" I.D. x 1.16" O.D. x 1.0" Thick)
20	626-0063	Flat Washer, Copper (17/64" I.D. x 7/16" O.D. x 1.122" Thick)	45	520-0820	"Stud (Hex Head)
21	120-0680	"Oil Tube			
22	110-1974	Intake Valve			
23	110-1718	Exhaust Valve			
24	VALVE SEAT INSERT, EXHAUST	110-1718 "Standard"			
	110-1718-02	002" Overage			
	110-1718-05	005" Overage			
	110-1718-10	010" Overage			
	110-1718-25	025" Overage			
25	VALVE SEAT INSERT, INTAKE	110-1923 "Standard"			
	110-1923-02	002" Overage			
	110-1923-05	005" Overage			
	110-1923-10	010" Overage			
	110-1923-25	025" Overage			
26	110-1928	"Valve Guide			
27	110-0539	Valve Spring			
28	110-0539	Valve Spring Lock			

*PARTS INCLUDED IN CYLINDER BLOCK ASSEMBLY.

SERVICE KITS AND MISCELLANEOUS

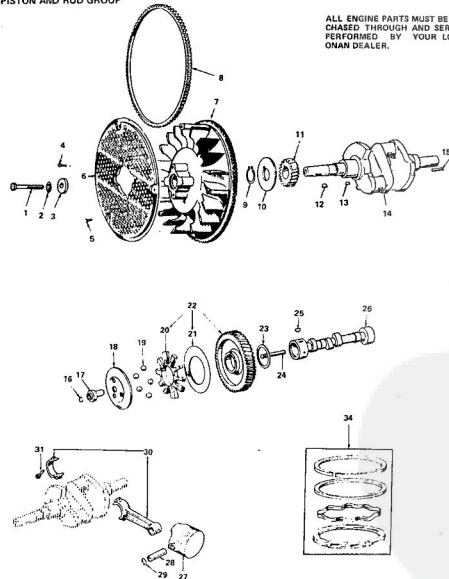
PART NO.	DESCRIPTION
98-3229	Deoil Kit
198-0142	Engne Gasket Kit
198-0121	Carburetor Removal Kit
180-1213	Ignition Tuneup Kit
522-0300	Engne Overhaul Kit

REPAIR PARTS

20T GARDEN TRACTOR-MODEL NUMBER T93298R
ONAN ENGINE-MODEL NO. N52M-GA019.9/3580B

CRANKSHAFT, FLYWHEEL, CAMSHAFT, PISTON AND ROD GROUP

ALL ENGINE PARTS MUST BE PURCHASED THROUGH AND SERVICE PERFORMED BY YOUR LOCAL ONAN DEALER.



REPAIR PARTS

20T GARDEN TRACTOR-MODEL NUMBER T93298R
ONAN ENGINE-MODEL NO. N52M-GA019.9/3580B

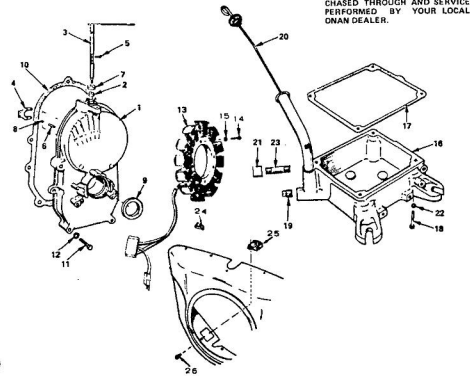
CRANKSHAFT, FLYWHEEL, CAMSHAFT, PISTON AND ROD GROUP

KEY NO.	PART NO.	DESCRIPTION
1	104-3110	Cap Screw (Special)
2	890-0055	Lockwasher, Spring (7/16")
3	526-0262	Flat Washer (15/16" I.D. x 1 1/2" O.D. x .311" Thick)
4	821-0014	Cap Screw, Hex Head Locking (5/16" Dia. x 1 1/2")
5	815-0400	Screw, Truss Hd. Mach. w/Ext. Lw. (1/4" Dia. x 1 1/2")
6	134-3212	Flywheel, Guard
7	134-2740	Flywheel (Inc. Ring Gear and Magnet)
8	104-0778	Retaining Ring
9	518-0014	Retaining Ring
10	104-0443	Retaining Washer
11	104-0032	Gear
12	515-0277	Flywheel Key
13	515-0001	Gear Key
14	194-1640	Crankshaft
15	515-0103	Key
16	190-0078	Retaining Ring
17	150-1519	Hub
18	190-1570	Cup
19	510-0215	Flyball
20	160-1257	Spacer
21	190-0077	Plate
22	106-0332	Gear Assembly (Inc. Plate and Spacer)
23	105-0044	Thrust Washer
24	190-0075	Center Pin
25	515-0001	Key
26	105-0382	Camshaft (Includes Center Pin)
27	CRANKSHAFT PIN (Includes Retaining Rings)	112-0158 Standard
	112-0158-05	005" Overage
	112-0158-10	010" Overage
	112-0158-20	020" Overage
	112-0158-30	030" Overage
	112-0158-40	040" Overage
28	112-0659	Piston Pin
29	518-0294	Retaining Ring
30	CONNECTING ROD	114-0295 Standard
	114-0295-10	010" Overage
	114-0295-20	020" Overage
	144-0295-30	030" Overage
31	890-0035	Flat Cap Bolt
34	RING SET	113-0203 Standard
	113-0203-05	005" Overage
	113-0203-10	010" Overage
	113-0203-20	020" Overage
	113-0203-30	030" Overage
	113-0203-40	040" Overage

REPAIR PARTS

20T GARDEN TRACTOR-MODEL NUMBER T9329BR
ONAN ENGINE-MODEL NO. N52M-GA019/3580B

OIL BASE AND GEARCASE GROUP



ALL ENGINE PARTS MUST BE PURCHASED THROUGH AND SERVICE PERFORMED BY YOUR LOCAL ONAN DEALER.

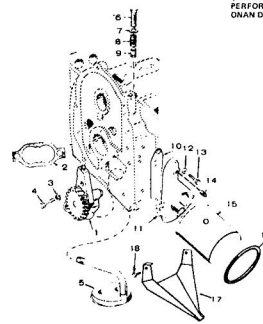
KEY NO.	PART NO.	DESCRIPTION	KEY NO.	PART NO.	DESCRIPTION
1	103-0498	Gearcase Assembly (Inc. Parts Marked *)	13	191-1216	Stator
2	510-0105	Bearing	14	813-0108	Round Head Machine Screw (No. 10 - 32 x 1-1/2")
3	150-1470	Shaft and Arm	15	850-0030	Lockwasher (No. 10)
4	150-1187	Yoke	16	102-0709	Oil Base
5	815-0046	*Nut Head Machine Screw (No. 8 - 32 x 3/8")	17	102-0693	Oil Base Gasket
6	516-0120	*Dowel Pin	18	800-0056	Hex Head Cap Screw (3/8" - 16 x 1-1/4")
7	505-0008	*Oil Seal	19	505-0058	Drain Plug
8	510-0014	*Bull	20	123-1292	Cap and Indicator
9	800-0040	*Oil Seal	21	505-0159	Oil Drain Cap Pipe (1-1/2")
10	103-0408	Gasket	22	850-0050	Lockwasher (3/8")
11	800-0032	5/16 18 x 1 3/4"	23	505-0176	Oil Drain Nipple Pipe (1/2 x 3 - 1/2")
	800-0034	5/16 18 x 2 1/4"	24	157-0218	Support Alternator Leads
	800-0065	9/16" O.D. x 1 1/8" Thick	25	191-1205	Regulator, Voltage (15 Amp)
			26	821-0010	Hex Head Cap Screw (1/4" - 20 x 1/2)

* Parts included in 103-0498 Gearcase Assembly.

REPAIR PARTS

20T GARDEN TRACTOR-MODEL NUMBER T9329BR
ONAN ENGINE-MODEL NO. N52M-GA019/3580B

OIL SYSTEM GROUP



ALL ENGINE PARTS MUST BE PURCHASED THROUGH AND SERVICE PERFORMED BY YOUR LOCAL ONAN DEALER.

KEY NO.	PART NO.	DESCRIPTION
1	120-0491	Oil Pump
2	120-0161	Pump Gasket Kit
3	850-0040	Lockwasher, Spring (1/4")
4	800-0007	Cap Screw, Hex Head (3/8" - 20 - 1")
5	520-0715	Oil Intake Cup
6	801-0050	Cap Screw, Hex Head (3/8" - 24 x 1")
7	526-0065	Flat Washer, Copper (15/64" I.D. x 9/16" O.D. x 1/16" Thick)
8	120-0140	Spring
9	120-0398	By-Pass Valve
10	122-0221	Gasket
11	122-0320	Oil Filter Adaptor
12	526-0065	Flat Washer, Copper (21/64" I.D. x 9/16" O.D. x 1/16" Thick)
13	800-0028	Cap Screw, Hex Head (5/16" - 18 x 1")
14	505-0057	Plug (1/8")
15	122-0498	Oil Filter
16	122-0341	Oil Filter Air Seal
17	122-0352	Oil Drain
18	815-0194	Cap Screw Hex Head W ET (No. 10 - 32 x 3/8")