

MASTER PARTS MANUAL

GARDEN TRACTORS

MODELS:

T1228AR
T1228BR
T4328AR
T4328BR
T6328AR
T6328BR
18 cv — T8328AR
T8328BR
T8338AR
T9329AR
T9329BR

LAWN AND GARDEN
POWER EQUIPMENT

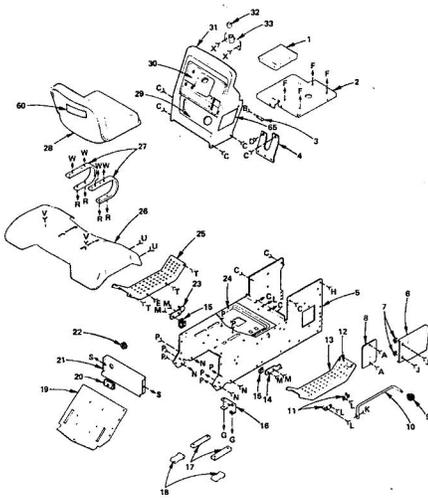
ROPER SALES CORP.

1905 WEST COURT STREET
KANKAKEE, ILLINOIS 60901

PRICE \$2.00
FEBRUARY 1, 1979

REPAIR PARTS

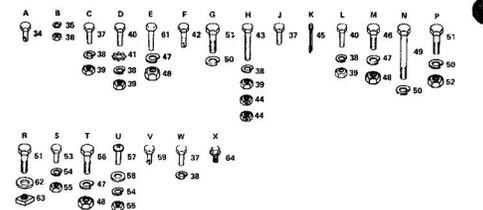
ROPER 11 H.P. GARDEN TRACTOR-MODEL NUMBER T1228BR
CHASSIS, FENDER & DASHBOARD



REPAIR PARTS

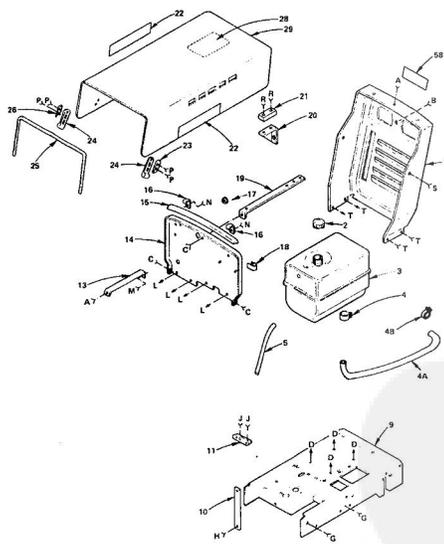
ROPER 11 H.P. GARDEN TRACTOR-MODEL NUMBER T1228BR
CHASSIS, FENDER & DASHBOARD

KEY NO.	PART NO.	DESCRIPTION	KEY NO.	PART NO.	DESCRIPTION
1	8855R	Battery Tray	37	3009P	*Hex Bolt 5/16 - 18 UNC x 5/8
2	8737R	Tank & Battery Support	38	1003P	*Lockwasher 5/16
3	8753R	Hood Latch Pin	39	504P	*Hex Nut 5/16 - 18 UNC
4	8792R	Tank & Battery Support Brace	40	3016P	*Hex Bolt 5/16 - 18 UNC x 3/4
5	8747R	Chassis Channel	41	1406P	*Fast Tooth Lockwasher 5/16
6	8791R	Engine Pulley Cover	42	5503P	*Hex Head Thread Cutting Screw 5/16 - 28 UNC x 3/4 Type 23
7	8916R	Nut Retainer	43	3373P	*Hex Bolt 5/16 - 18 UNC x 1 - 1/2 Full Thd.
8	9800R	Channel Access Cover	44	1085H	Locknut 5/16
9	8594H	Control Knob	45	2811P	*Cotter Pin 3/16 x 1
10	8756R	Range Shift Rod	46	2022P	*Hex Bolt 3/8 - 16 UNC x 7/8
11	8919R	Range Shift Rod Bracket	47	1005P	*Lockwasher 3/8
12	8900R	Decal - Attachment Clutch	48	5011P	*Hex Bolt 7/16 - 14 UNC x 1
13	8540R	Foot Rest - R.H.	49	3156P	*Lockwasher 7/16
14	6236-37	Suspension Arm Bracket Weldment - R.H.	50	1001P	*Hex Bolt 7/16 - 14 UNC x 1
15	2751R	Clip - Fuel Line	51	3034P	*Lockwasher 7/16
16	8826R	Terminal Bracket	52	500P	*Hex Nut 1/4 - 20 UNC x 1/2
17	158J	Seat Spring Lock Plate	53	3144P	*Lockwasher 1/4
18	9246R	Drawbar Spacer	54	1002P	*Hex Nut 1/4 - 20 UNC
19	673A95	Drawbar Assembly	55	503P	*Hex Bolt 3/8 - 16 UNC x 1
20	5917R	Burlaster	56	3023P	*Cross Recess Truss Head Machine Screw 1/4 - 20 UNC x 5/8
21	8782R	Chassis Channel Cover	57	3589P	*Washer 9/32 x 5/8 x 1/6 Ga.
22	3807R	Universal Bushing	58	1500P	*Hex Head Thread Cutting Screw 5/16 - 18 UNC x 1/2 Type 23
23	673A38	Suspension Arm Bracket Weldment - L.H.	59	5000P	Decal - Roper
24	8888R	Decal - Shift Pattern	60	245J	Seat
25	8841R	Foot Rest - L.H.	61	3021P	*Hex Bolt 3/8 - 16 UNC x 3/4
26	8502R	Fender	62	1544P	*Washer 8/32 x 5/16 x 1/8 Ga.
27	8168R	Seat Spring	63	568P	*Square Nut 7/16 - 14 UNC
28	2214J	Seat	64	5906P	*Hex Washer 1/4 - 20 UNC
29	195J	Decal - Lower Dashboard	65	243J	Decal - 11 H.P.
30	196J	Decal - Upper Dashboard	66	1722J	Warranty - Fast 110
31	163J	Dashboard	---	---	Owners Manual
32	9038R	Bearing	---	---	*STANDARD HARDWARE-PURCHASE LOCALLY
33	673A56	Steering Bracket & Bearing (Inc. Key No. 12)			
34	5566P	*Hex Head Thread Cutting Screw 1/4 - 20 UNC x 1/2 Type 23			
35	1006P	*Lockwasher No. 10			
36	506P	*Hex Nut No. 10 - 24 UNC			



REPAIR PARTS

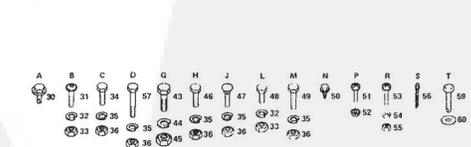
ROPER 11 H.P. GARDEN TRACTOR-MODEL NUMBER T1228BR
ENGINE MOUNT, HOOD & GRILL



REPAIR PARTS

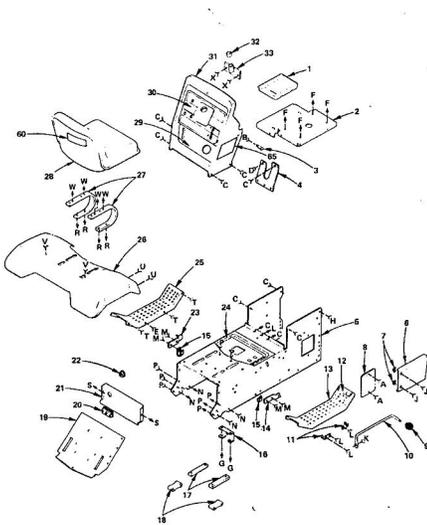
ROPER 11 H.P. GARDEN TRACTOR-MODEL NUMBER T1228BR
ENGINE MOUNT, HOOD & GRILL

KEY NO.	PART NO.	DESCRIPTION	KEY NO.	PART NO.	DESCRIPTION
1	1647J	Grill	32	1002P	*Lockwasher 1/4
2	7971R	Fuel Tank Cap	33	503P	*Hex Nut 1/4 - 20 UNC
3	36J	Fuel Tank	34	3009P	*Hex Bolt 5/16 - 18 UNC x 5/8
4	9872R	Hose Clamp	35	1003P	*Lockwasher 5/16
4A	8544R	Fuel Line	36	504P	*Hex Bolt 5/16 - 18 UNC
4B	6526R	Fuel Line Clamp	43	3034P	*Hex Bolt 7/16 - 14 UNC x 1
5	8906R	Fuel Line - Over Flow	44	1001P	*Lockwasher 7/16
6	673A200	Engine Base Weldment	45	500P	*Hex Nut 7/16 - 14 UNC
10	8818R	Engine Base Brace	46	3016P	*Hex Bolt 5/16 - 18 UNC x 3/4
11	1555J	Safety Switch Bracket	47	16P	*5/16 Neck Carriage Bolt 5/16 - 18 UNC x 3/4
13	8780R	Dashboard Brace	48	3144P	*Hex Bolt 1/4 - 20 UNC x 1/2
14	8784R	Heat Shield	49	3011P	*Hex Bolt 5/16 - 18 UNC x 1
15	8925R	Scaling Strip	50	5004P	*Hex Washer Head Sheet Metal Screw No. 10 x 3/8 (new AB)
16	8924R	Sealing Strip Clamp	51	3320P	*Cross Recess Pan Head Machine Screw No. 10 - 24 UNC x 1/2
17	9151R	Seal Bushing	52	561P	*Keps Nut No. 10 - 24 UNC
18	4171R	Insulated Clip	53	3083P	*Cross Recess Pan Head Machine Screw No. 10 - 24 UNC x 3/4
19	8781R	Grill Bracket	54	1006P	*Lockwasher No. 10
20	8923R	Grill Bracket	55	505P	*Hex Nut No. 10 - 24 UNC
21	9042R	Roller Bumper	56	2503P	*Cotter Pin 3/32 x 3/4
22	242J	Decal - Roper	57	2014P	*Hex Bolt 5/16 - 18 UNC x 1 - 3/4
23	8937R	Hood Latch Cover - R.H.	58	293J	Decal - Roper Logo
24	8889R	Hood Latch	59	5503P	*Hex Head Thread Cutting Screw 5/16 - 18 UNC x 3/4
25	8937R	Hood Strip	60	1537P	*Cross Recess Truss Head Machine Screw 1/4 - 20 UNC x 3/4
26	9015R	Hood Latch Cover - L.H.			
28	8028R	Decal - Maintenance			
29	673A29P	Hex Washer Head Thread Cutting Screw 5/16 - 18 UNC x 1/2 Type 23			
30	5600P	*Hex Washer Head Thread Cutting Screw 5/16 - 18 UNC x 1/2 Type 23			
31	3268P	*Cross Recess Truss Head Machine Screw 1/4 - 20 UNC x 3/4			



REPAIR PARTS

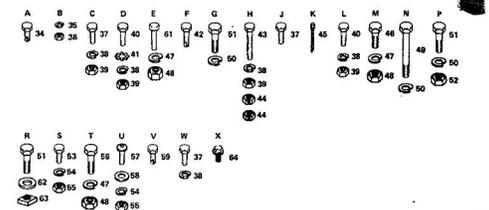
ROPER 11 H.P. GARDEN TRACTOR-MODEL NUMBER T1228AR
CHASSIS, FENDER & DASHBOARD



REPAIR PARTS

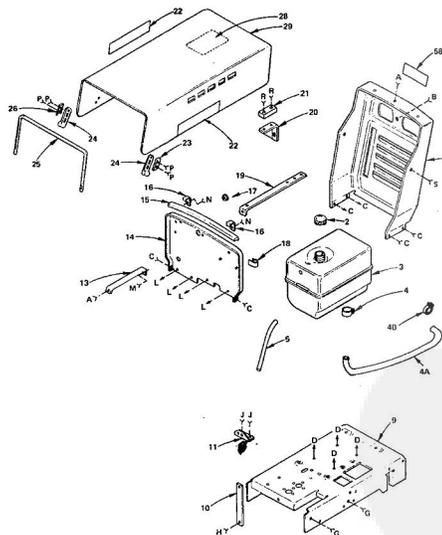
ROPER 11 H.P. GARDEN TRACTOR-MODEL NUMBER T1228AR
CHASSIS, FENDER & DASHBOARD

KEY NO.	PART NO.	DESCRIPTION	KEY NO.	PART NO.	DESCRIPTION
1	8955R	Battery Tray	37	3003P	*Hex Bolt 5/16 - 18 UNC x 5/8
2	8797R	Tank & Battery Support	38	1003P	*Lockwasher 5/16
3	8753R	Hood Latch Pin	39	504P	*Hex Nut 5/16 - 18 UNC
4	8792R	Tank & Battery Support Brace	40	3010P	*Hex Bolt 5/16 - 18 UNC x 3/4
5	8807R	Chassis Channel	41	1408P	*Ext. Tooth Lockwasher 5/16
6	8791R	Engine Pulley Cover	42	5003P	*Hex Head Thread Cutting Screw 5/16 - 18 UNC x 3/4 Type 23
7	8915R	Nut Retainer	43	3233P	*Hex Bolt 5/16 - 18 UNC x 1 - 1/2 Full Thd.
8	8800R	Chassis Access Cover	44	1858H	Locknut 5/16
9	8384H	Control Knob	45	2511P	*Cotter Pin 3/16 x 1
10	8756R	Range Shift Rod	46	3022P	*Hex Bolt 3/8 - 16 UNC x 7/8
11	8816R	Range Shift Rod Bracket	47	1004P	*Lockwasher 3/8
12	8900R	Decal - Attachment Clutch	48	501P	*Hex Nut 3/8 - 16 UNC
13	8840R	Foot Rest - R.H.	49	3155P	*Hex Bolt 7/16 - 14 UNC x 2 - 1/4
14	873437	Suspension Arm Bracket Weldment - R.H.	50	1001P	*Lockwasher 7/16
15	2761R	Clip - Fuel Line	51	3034P	*Hex Bolt 7/16 - 14 UNC x 1
16	8825R	Transaxle Bracket	52	500P	*Hex Nut 7/16 - 14 UNC
17	1521	Seat Spring Lock Plate	53	3114P	*Hex Bolt 1/4 - 20 UNC x 1/2
18	9248R	Transaxle Spacer	54	1003P	*Lockwasher 1/4
19	873435	Drawer Assembly	55	503P	*Hex Nut 1/4 - 20 UNC
20	5012R	Reflector	56	3023P	*Hex Bolt 3/8 - 16 UNC x 1
21	8782R	Chassis Channel Cover	57	3368P	*Cross Recess Trust Head Machine Screw 1/4 - 20 UNC x 5/8
22	3807R	Universal Bushing	58	1505P	*Washer 8/32 x 5/8 x 1/6 Ga.
23	673A38	Suspension Arm Bracket Weldment - L.H.	59	5600P	*Hex Head Thread Cutting Screw 5/16 - 18 UNC x 1/2 Type 23
24	8888R	Decal - Shift Pattern	60	2457	Decal - Roper
25	8841R	Foot Rest - L.H.	61	3021P	*Hex Bolt 3/8 - 16 UNC x 3/4
26	8059P	Fender	62	1893P	*Washer 15/32 x 5/8 x 1/6 Ga.
27	8788R	Seat Spring	63	898P	Square Nut 7/16 - 14 UNC
28	4732	Seat	64	5066P	*Hex Washer Hd. Thd. Cutting Screw 1/4 - 20 UNC x 1/2 Type 23
29	198U	Decal - Lower Dashboard	65	2437	Decal - 11 H.P.
30	198U	Decal - Upper Dashboard	66	2437	Warranty - Fast Tag
31	632	Dashboard	67	2547	Owners Manual
32	9038R	Bearing	—	—	*STANDARD HARDWARE-PURCHASE LOCALLY
33	672A67	Shearing Bracket & Bearing (Inc. Key No. 32)			
34	5569P	Head Thread Cutting Screw 1/4 - 20 UNC x 1/2 Type 23			
35	1006P	*Lockwasher 1/4			
36	508P	*Hex Nut No. 10 - 24 UNC			



REPAIR PARTS

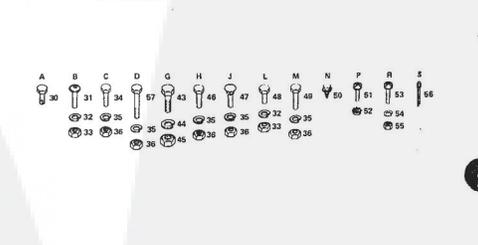
ROPER 11 H.P. GARDEN TRACTOR-MODEL NUMBER T1228AR
ENGINE MOUNT, HOOD & GRILL



REPAIR PARTS

ROPER 11 H.P. GARDEN TRACTOR-MODEL NUMBER T1228AR
ENGINE MOUNT, HOOD & GRILL

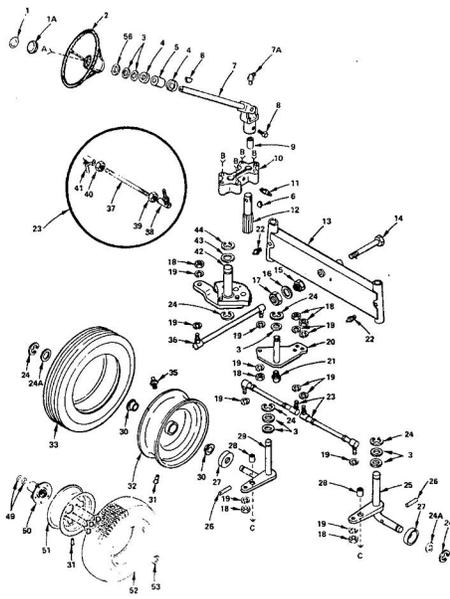
KEY NO.	PART NO.	DESCRIPTION	KEY NO.	PART NO.	DESCRIPTION
1	8955R	Gull	32	1003P	*Lockwasher 1/4
2	7917R	Fuel Tank Cap	33	503P	*Hex Nut 1/4 - 20 UNC
3	36J	Fuel Tank	34	3009P	*Hex Bolt 5/16 - 18 UNC x 5/8
4	8837R	Fuel Clamp	35	1003P	*Lockwasher 5/16
4A	8544R	Fuel Line	36	504P	*Hex Nut 5/16 - 18 UNC
4B	9095R	Fuel Line Clamp	43	3034P	*Hex Bolt 7/16 - 14 UNC x 1
5	9095R	Fuel Line - Overflow	44	1001P	*Lockwasher 7/16
6	873437	Engine Base Weldment	45	500P	*Hex Nut 7/16 - 14 UNC
10	8618R	Engine Base Brace	46	3010P	*Hex Bolt 5/16 - 18 UNC x 3/4
11	9280R	Safety Switch Bracket	47	16P	*Sq. Neck Carriage Bolt 5/16 - 18 UNC x 3/4
12	8780R	Dashboard Brace	48	3114P	*Hex Bolt 1/4 - 20 UNC x 1/2
14	8784R	Heat Shield	49	3011P	*Hex Bolt 5/16 - 18 UNC x 1
15	8936R	Seating Strip Clamp	50	5604P	*Hex Washer Head Sheet Metal Screw No. 10 - 24 UNC Type A5
16	8934R	Seating Strip	51	3220P	*Cross Recess Pan Head Machine Screw No. 10 - 24 UNC x 1/2
17	9161R	Insulated Clip	52	501P	*Hex Nut No. 10 - 24 UNC
18	4171R	Grill Bracket	53	3037P	*Cross Recess Pan Head Machine Screw No. 10 - 24 UNC x 3/4
19	8518R	Grill Bracket	54	1006P	*Lockwasher No. 10
20	8933P	Rubber Bumper	55	505P	*Hex Nut No. 10 - 24 UNC
21	8649R	Grill Bracket	56	2503P	*Cotter Pin 3/32 x 3/4
22	242J	Decal - Roper	57	3014P	*Hex Bolt 5/16 - 18 UNC x 1 - 3/4
23	8935R	Hood Latch Cover - R.H.	58	283J	Decal - Roper Logo
24	8888R	Hood Latch			*STANDARD HARDWARE-PURCHASE LOCALLY
25	8937R	Hood Strip			
26	8016R	Hood Latch Cover - L.H.			
28	8028R	Decal - Maintenance			
29	673A183	Hood Ass'y.			
30	5600P	*Hex Washer Head Thread Cutting Screw 5/16 - 18 UNC x 1/2 Type 23			
31	3268P	*Cross Recess Trust Head Machine Screw 1/4 - 20 UNC x 3/4			



REPAIR PARTS

ROPER 11 H.P. GARDEN TRACTOR-MODEL NUMBER T12288R

STEERING AND FRONT AXLE



REPAIR PARTS

ROPER 11 H.P. GARDEN TRACTOR-MODEL NUMBER T12288R

STEERING AND FRONT AXLE

KEY NO.	PART NO.	DESCRIPTION	KEY NO.	PART NO.	DESCRIPTION
1	238J	Discal. Steering Wheel Cap	30	673A19	Shoulder Washers L.H.
1A	9719H	Steering Wheel Cap	30	9040H	Lenslet Bearing
2	3944H	Steering Wheel	31	795H	Trac Valve
3	1502P	Washer 25/32 x 1-1/4 x 16 Ga. ID to 2 as required	32	3030R	Front Wheel Disc Key Nut, 30 & 30 1/2
4	9007H	Cap - Steering Tube	33	3030R	Front Tire - Tubeless, 10 x 3.50 8"
5	9289H	Rubber Bushing	34	3030R	Ground Flitting
6	9928M1	Washoff Key	35	6850A	Steering Disc Lock
7	9527H	U-Bolt (Inc. Key No. 7A)	37	673A20	Tie Rod (Inc. Key No. 39 & 40)
7A	6464H	Grease Fitting	38	6922R	Tie Rod Joint - L.H. Thread
8	4556P	Sh. Nut (Inc. Screw 3/8" - 16 UNC x 1/2)	39	544P	Hex Jam Nut 3/8" - 24 UNF - L.H.
9	161J	"U" Joint Spacer	40	544P	Hex Jam Nut 3/8" - 24 UNF - R.H.
10	4909R	Steering Support Bracket	41	8917R	Tie Rod Joint - R.H. Thread
11	5842M	Grease Fitting	42	673A17	Steering Screw Assy.
12	157J	Steering Pinion	43	1550P	Washer 20/32 x 1-1/4 x 16 Ga.
13	673A20	Front Axle Weldment	44	5077P	E-Ring
14	8916R	Pin Bolt 5/8" - 11 UNC x 6	45	1517P	Washer 7/16 x 1 x 14 Ga.
15	156J	Shoulder Nut	46	3028P	Hex Bolt 3/8" - 16 UNC x 1-3/4
16	1503P	"Washer 21/32 x 1-5/16 x 13 Ga.	48	5017P	Hex Nut 3/8" - 16 UNC
17	522P	"Hex Jam Nut 3/8" - 11 UNC	49	3552R	Asst. Thrust Washer 10 to 4 as required
18	515P	"Hex Nut 3/8" - 24 UNF	50	624A02	Wheel Hubs and Rims
19	1004P	"Lockwasher 20"	51	3055R	Rim Wheel
20	673A20	Steering Tie Rod (Inc. Key No. 37 thru 41)	52	3783H	Rim Wheel - Tubeless 22.5 x 7.50 12"
21	6955A	Grease Fitting	53	5845H	E-Ring
22	6955A	Grease Fitting	54	1304H	Hold Bolt
23	673A15	Steering Tie Rod (Inc. Key No. 37 thru 41)	55	3027P	Hex Bolt 3/8" - 16 UNC x 7/8"
24	5000P	E-Ring	56	1561P	Washer 20/32 x 1-1/4 x 21 Ga. ID to 1 as required
24A	1517P	Washer 20/32 x 1-5/8 x 16 Ga.			
25	673A20	Steering Tie Rod - R.H.			
26	9528R	Grease Fitting			
27	8738R	Dust Cup			
28	8907R	Bushing - Steering Stop			

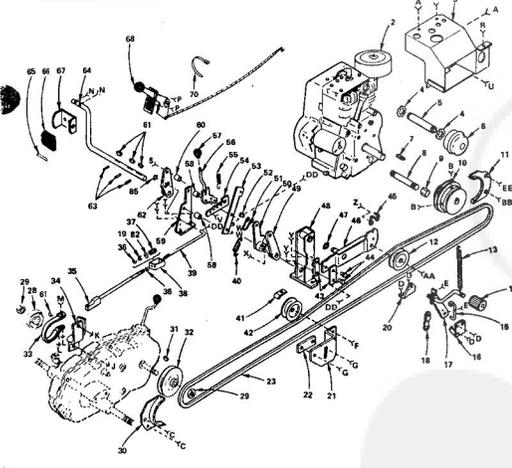


*STANDARD HARDWARE - PURCHASE LOCALLY

REPAIR PARTS

ROPER 11 H.P. GARDEN TRACTOR-MODEL NUMBER T12288R

CLUTCH-BRAKE & DRIVE



REPAIR PARTS

ROPER 11 H.P. GARDEN TRACTOR-MODEL NUMBER T12288R

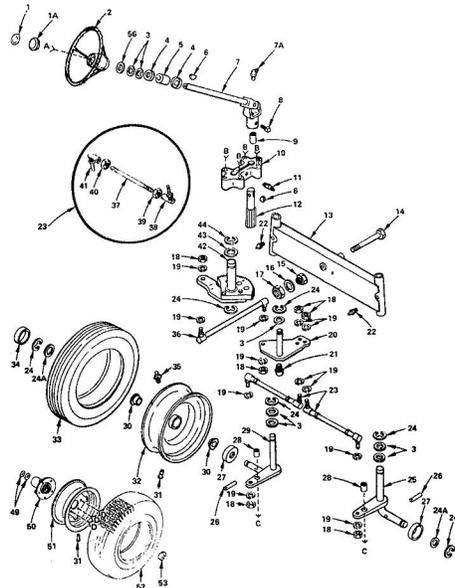
CLUTCH-BRAKE & DRIVE

KEY NO.	PART NO.	DESCRIPTION	KEY NO.	PART NO.	DESCRIPTION
1	252417	Engine - 11 H.P. Briggs & Stratton	60	8909R	Bushing - Lock Bar
2	673A153	Type 0121	61	2729M	Woodruff Key 3/16 x 3/4 H.T.
3	673A153	Heat Deflector Weldment	62	8835R	Brake Arm
4	9528A	Muffler	63	1425H	Roll Pin
5	8988R	Muffler Pipe	64	8730R	Foot Pedal Shaft
6	423J	Muffler	65	8989R	Insert - Clutch Brake
7	6395E	So. Key	66	8882R	Foot Pedal
8	4211P	Oil Drain Pipe 3/8" - 18 NPT x 3 - 1/2	67	8765R	Clutch & Throttle Control
9	4215P	Drain Pipe Cap 3/8" - 18 NPT	68	189J	Foot Pedal Bracket
10	673A26	Engine Pulley Bolt Guide (Inc. Key No. 73)	69	2011P	Hex Bolt 5/16" - 18 UNC x 1
11	164J	Belt Idler - V Groove	70	6730R	Cable Tie
12	8848R	Spring - Mower Clutch	71	1905P	Lockwasher 5/16"
13	8958R	Attachment Pedal Cover	72	4546P	Hex Flange Socket Helices Set Screw CP 5/16" - 18 x 1/2 - Nylon
14	1817J	Clutch Spring Hanger	74	3009P	Hex Bolt 5/16" - 18 UNC x 5/8"
15	673A105	Outer Clutch Bracket Assy.	75	3010P	Hex Bolt 5/16" - 18 UNC x 3/4"
16	673A105	Clutch Link - Lower	76	564P	Hex Nut 5/16" - 18 UNC
17	8832R	Clutch Link - Upper	77	3208P	Coner Pin 1/8"
18	516P	Locknut 3/8" - 16 UNC	78	3038P	Hex Bolt 7/16" - 14 UNC x 1-1/2"
19	8282R	Clutch Bracket - Inner	79	1001P	Lockwasher 7/16"
20	8282R	Clutch Bracket - Outer	80	560P	Hex Nut 7/16" - 14 UNC
21	8282R	Flat Idler Bracket	81	3021P	Hex Bolt 3/8" - 16 UNC x 3/4"
22	8730R	Idler Bracket Lock Plate	82	1622P	Washer 13/32 x 1-1/8 x 10 Ga.
23	8945R	Clutch Drive Bolt	83	3022P	Hex Bolt 3/8" - 16 UNC x 7/8"
24	214J	Brake Drum	84	1004P	Lockwasher 3/8"
25	8284H	Locknut 1/2" - 20 UNF	85	1513P	Washer 3/32 x 1-1/8 x 16 Ga.
26	8900R	Transaxle Pulley Bolt Guide	86	3184P	Undercut Flat Head Mach. Screw 3/8" - 16 UNC x 3/4"
27	8908M1	Woodruff Key 3/16 x 5/8 H.T.	87	11P	St. Neck Carriage Bolt 1/4" - 20 UNC x 5/8"
28	8947H	Transaxle Pulley	88	1895H	Locknut 5/16" - 18 UNC
29	673A27	Brake Bracket Weldment	89	5696P	Hex Hd. Thread Cutting Screw 1/4" - 20 UNC x 1/2 Type 23
30	626A368	"Hex Jam Nut 3/8" - 16 UNC	90	1002P	Lockwasher 1/4"
31	1784J	Compressor Spring	91	503P	Hex Nut 1/4" - 20 UNC
32	673A209	Coupler Assembly	92	3723P	Hex Bolt 5/16" - 18 UNC x 1 Grade 5
33	1782J	Brake Rod - Front	93	1505P	Washer 6/16 x 3/4 x 16 Ga.
34	8905R	Spring	94	3159P	Hex Bolt 5/16" - 18 UNC x 7/8"
35	8905R	Wire Lead	95	1537P	Hex Nut 3/8" - 16 UNC
36	5655H	Flat Idler	96	5017P	Hex Nut 1/4" - 20 UNC x 3/4"
37	8915R	Clutch Arm Link	97	1895P	Washer 8/32 x 1-1/8 x 16 Ga.
38	8912R	Drilled Flat Head Rivet	98	3003P	Cross Recess Tread Head Thread Cutting Screw 1/4" - 20 UNC x 1/2"
39	8948R	V-Idler Bolt Guide	99	538P	Type 23
40	673A162	Belt Idler Bracket Weldment	100	3027P	Hex Bolt 3/8" - 16 UNC x 1-1/2"
41	5219P	Belt Idler Support Assy.	101	3114P	Hex Bolt 1/4" - 20 UNC x 1/2"
42	8837R	Clutch Spring Arm	102	3364P	Hex Bolt 1/4" - 20 UNC x 1-1/4 Full 1
43	8837R	Safety Switch Arm	103	3003P	Hex Bolt 5/16" - 24 UNF x 5/8"
44	8911R	Spring	104	2905P	Coner Pin 1/8 x 3/4"
45	8908R	Drilled Flat Head Rivet	105	3360P	Hex Bolt 5/16" - 24 UNF x 2-3/4"
46	1008J	Parking Brake Lock Bar	106	538P	Hex Jam Nut 5/16" - 18 UNC
47	8948R	Spring	107		
48	673A18	Forking Brake Lever Weldment	108		
49	8811R	Control Knob	109		
50	8908R	Bushing - Brake Lever	110		
51	8922R	Parking Brake Support			
52	3004P	Hex Bolt 1/4" - 20 x 1			

OPTIONAL EQUIPMENT
Search Actuator Muffler LA248AR
*STANDARD HARDWARE - PURCHASE LOCALLY

REPAIR PARTS

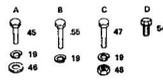
ROPER 11 H.P. GARDEN TRACTOR MODEL NUMBER T1228AR
STEERING AND FRONT AXLE



REPAIR PARTS

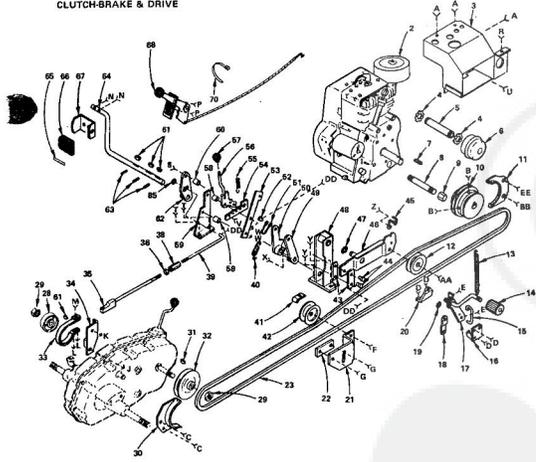
ROPER 11 H.P. GARDEN TRACTOR-MODEL NUMBER T1228AR
STEERING AND FRONT AXLE

KEY NO.	PART NO.	DESCRIPTION	KEY NO.	PART NO.	DESCRIPTION
1	236J	Detail, Steering Wheel Cap	20	673A13	Spindle Weldment - L.H.
1A	9719R	Steering Wheel Cap	30	9060H	Flange Bearing
2	364M	Washer 48/34 x 1 - 1/4 x 16 Ga.	31	780H	Flange Washer
3	1562P	Washer 48/34 x 1 - 1/4 x 16 Ga.	32	3638R	Front Wheel Hic. Key No. 3, 20 & 3
4	900M	Cap - Steering Tube	33	3838R	Front Tire - Tubeless 10 x 4.50 - 8
5	5919M	Rubber Bushing	34	2118R	Dust Cap
6	882M1	Woodruff Key	35	6856M	Grease Fitting
7	9827H	U-Joint (Inc. Key No. 7A)	36	8809R	Steering Drag Link
7A	8823H	Grease Fitting	37	673A28	Tie Rod Hic. Key No. 20 & 40
8	4906P	Sq. Hd. Set Screw 3/8 - 16 UNC x 1/2	38	8922H	Tie Rod Adjust. L.H. Thread
9	161J	"U" Joint Spline	39	547P	Hex Jam Nut 3/8 - 24 UNF - L.H.
10	8938R	Steering Support Bracket	40	546P	Hex Jam Nut 3/8 - 24 UNF
11	6847M	Grease Fitting	41	8921R	Tie Rod Joint - R.H. Flange
12	151J	Steering Pinion	42	673A147	Steering Sector Assy.
13	673A26	Front Axle Weldment	43	1503P	Washer 5/16 x 1 - 1/4 x 16 Ga.
14	9319H	Front Bolt 5/8 - 11 UNC x 6	44	5017H	E-Ring
15	155J	Shoulder Nut	45	3023P	Hex Bolt 3/8 - 16 UNC x 1
16	1503P	Washer 21/32 x 1 - 5/16 x 13 Ga.	46	1517P	Hex Bolt 7/16 x 1 - 1/4 Ga.
17	527P	Hex Nut 3/8 - 11 UNC	47	3026P	Hex Bolt 3/8 - 16 UNC x 1 - 3/4
18	516P	Hex Nut 3/8 - 24 UNF	48	5011P	Hex Nut 3/8 - 16 UNC
19	1038P	Lockwasher 3/8	49	7502P	Axle Thrust Washers
20	673A30	Steering Bell Crank Weldment	50	624A102	Wheel Hub and Bushing
21	6823M	Grease Fitting	51	3625H	Wheel Wheel
22	6852M	Grease Fitting	52	3783H	Rear Tire - Tubeless 22.5 x 7.50 - 8
23	673A15	Steering Tie Rod (Inc. Key No. 37 thru 41)	54	1324H	Hull Bolt
24	5096P	E-Ring	55	5022P	Hex Bolt 3/8 - 16 UNC x 7/8
24A	1589P	Washer 49/64 x 1 - 5/8 x 16 Ga.	56	1591P	Washer 25/32 x 1 - 1/4 x 21 Ga.
25	673A20	Spindle Weldment - R.H.			
26	8620H	Grease Pin			
27	8759R	Dust Cap - Inner			
28	9067H	Bushing - Steering Stop			



REPAIR PARTS

ROPER 11 H.P. GARDEN TRACTOR-MODEL NUMBER T1228AR
CLUTCH-BRAKE & DRIVE



REPAIR PARTS

ROPER 11 H.P. GARDEN TRACTOR-MODEL NUMBER T1228AR
CLUTCH-BRAKE & DRIVE

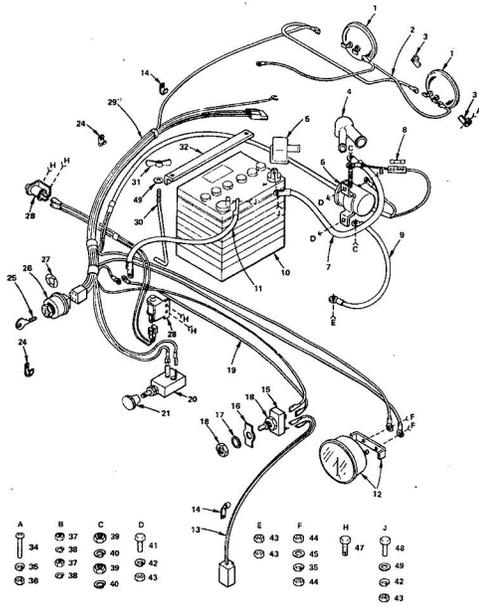
KEY NO.	PART NO.	DESCRIPTION	KEY NO.	PART NO.	DESCRIPTION
2	25817	Engine - 11 H.P. Briggs & Stratton Type 03001	60	8909R	Bushing - Lock Bar
3	673A153	Heat Deflection Weldment	61	2228M	Woodruff Key 3/16 x 3/4 H.T.
4	6940H	Muffler - Muffler	63	5142H	Roll Pin
5	8888R	Muffler Pipe	64	8760R	Foot Pedal Shaft
6	420L	Muffler	65	8889R	Insert - Clutch-Brake
7	9256E	Sq. Key	66	8882H	Foot Pedal
8	4011P	Oil Drain Pipe 3/8 - 18 NPT x 3 - 1/2	68	8821H	Foot Pedal Bracket
9	4015P	Drain Pipe 3/8 - 18 NPT	68	180J	Choke & Throttle Control
10	673A98	Engine Pulley & Set Screws (Inc. Key No. 72)	69	3011P	Hex Bolt 5/16 - 18 UNC x 1
11	184L	Engine Pulley Bolt Guide	70	1003P	Lockwasher 5/16
12	8946R	Ball Idler - V Groove	72	4560P	Hex Flange Socket Headless Set Scr 5/16 - 18 UNC x 1/2
13	8906R	Spring - Mover Clutch	74	3009P	Hex Bolt 5/16 - 18 UNC x 5/8
14	8963R	Attachment Pedal Cover	75	3010P	Hex Bolt 5/16 - 18 UNC x 3/4
15	673A105	Outer Clutch Bracket Assy.	75	524P	Hex Bolt 5/16 - 18 UNC
17	673A105	Clutch Lever Weldment	77	2500P	Cotter Pin 1/8 x 1
18	8825R	Clutch Lever	78	3028P	Hex Bolt 7/16 - 14 UNC x 1 - 1/2
19	5018P	Retaining Ring	79	1001P	Lockwasher 7/16
20	8826R	Clutch Bracket - Inner	82	506P	Hex Nut 7/16 - 14 UNC
21	8826R	Flat Idler Bracket	81	3021P	Hex Bolt 3/8 - 16 UNC x 3/4
22	8770R	Idler Bracket Lock Rate	83	3022P	Hex Bolt 3/8 - 16 UNC x 7/8
23	8842R	Ground Drive Belt	84	1004P	Lockwasher 3/8
25	714J	Locknut 1/2 - 20 UNF	85	1513P	Washer 13/32 x 13/16 x 16 Ga.
29	9204H	Locknut 1/2 - 20 UNF	86	3164P	Undercut Flat Head Mach. Screw 3/8 - 18 UNC x 3/4
31	8902R	Transaxle Pulley Bolt Guide	87	10P	Sq. Neck Carriage Bolt 1/4 - 20 UNC x 1/2
31	8826M1	Locknut 1/4 - 20 UNC	88	1665H	Locknut 5/16 - 18 UNC
32	8847R	Brake Band Assy.	89	1851H	Locknut 5/16 - 18 UNC
33	673A29	Brake Bracket Weldment	90	5599P	Hex Nut Thread Cutting Screw 1/4 - 20 UNC x 1/2 Type 23
34	673A27	Brake Rod Assy.	91	1002P	Lockwasher 1/4
35	526A365	Hex Nut 3/8 - 16 UNC	92	502P	Hex Nut 1/4 - 20 UNC
38	8417H	Turbocharger	94	3273P	Hex Bolt 5/16 - 18 UNC x 1 Grad 1
40	8905R	Spring - Idler	95	1537P	Hex Bolt 5/16 - 18 UNC x 7/8
41	8905R	Wax Guard	97	1537P	Washer 11/32 x 11/16 x 16 Ga.
42	6638H	Belt Idler - Flat	98	3105P	Hex Nut 5/16 - 18 UNC
43	8815R	Clutch Arm Link	99	8010P	Hex Bolt 1/4 - 20 UNC x 3/4
44	8912R	Drilled Flat Head Rivet	100	1585P	Washer 9/32 x 1 - 1/4 x 16 Ga.
45	8949R	V-Idler Belt Guide	101	6602P	Cross Reptn Truss Head Thread Cutting Screw 1/4 - 20 UNC x 1/2 Type 23
46	673A162	Belt Idler Bracket Weldment	102	3027P	Hex Bolt 3/8 - 16 UNC x 1 - 1/2
47	5091P	E-Ring	103	3114H	Hex Bolt 1/4 - 20 UNC x 1/2
48	673A21	Belt Idler Support Assy.	104	3384P	Hex Bolt 1/4 - 20 UNC x 1 - 1/4 Fv
49	8837R	Clutch Pencil Arm	105	3010P	Hex Bolt 3/8 - 16 UNC x 1/2
50	8836R	Safety Switch Arm	106	3033P	Hex Bolt 5/16 - 24 UNF x 3/8
51	8905R	Spring Claws	108	2205P	Cotter Pin 1/8 x 2/4
52	8911R	Drilled Flat Head Rivet	109	3386P	Hex Bolt 5/16 - 24 UNF x 2
53	8902R	Parking Brake Lock Bracket	110	3387P	Hex Jam Nut 5/16 - 24 UNF
54	1006L	Parking Brake Lock Bar			
55	8905R	Spring - Parking Brake			
56	673A18	Parking Brake Lever Weldment			
57	8911R	Control Knob - Parking Brake			
58	8908R	Bushing - Brake Lever			
59	8822R	Parking Brake Support			



REPAIR PARTS

ROPER 11 H.P. GARDEN TRACTOR-MODEL NUMBER T1228BR

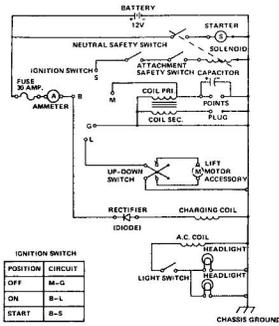
ELECTRICAL



REPAIR PARTS

ROPER 11 H.P. GARDEN TRACTOR-MODEL NUMBER T1228BR

ELECTRICAL



POSITION	CIRCUIT
OFF	M-C
ON	B-L
START	B-S

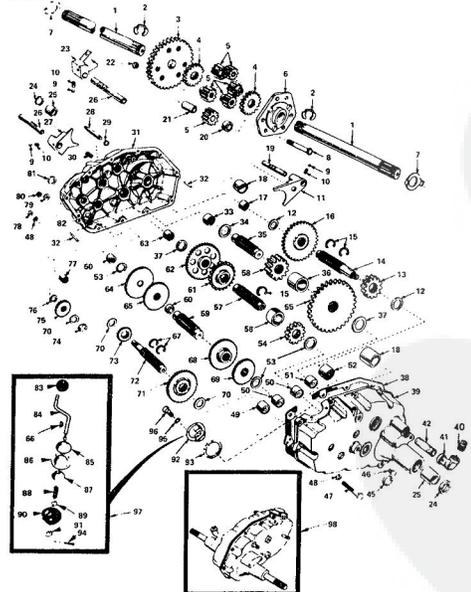
KEY NO.	PART NO.	DESCRIPTION	KEY NO.	PART NO.	DESCRIPTION
1	8452R	Headlight	29	303J	Wiring Harness
2	8031R	Wire - Headlight Ground	30	8964R	Battery Bolt
3	8764R	Headlight Clamp	31	3748M	Wing Nut 1/4 - 20 UNC
4	51J	Terminal Insulator (Dual)	32	8796R	Battery Hold Down
5	8865R	Terminal Insulator	34	3346P	Cross Section Trans Mt. Match. Screw No. 10 - 24 UNC x 1
6	103R	Solenoid Inc. Key No. 37 thru 40)	35	1006P	*Lockwasher No. 10
7	9277R	Battery Cable	36	506P	*Hex Nut No. 10 - 24 UNC
8	6347R	Fuse - 30 Amp.	37	527P	*Hex Nut No. 8 - 32 UNC
9	8808R	Starter Cable	38	1005P	*Lockwasher No. 8
10	7262	Battery	39	535P	*Hex Jam Nut 5/16 - 24 UNF
11	8881R	Ground Cable	41	3114P	*Lockwasher 5/16
12	9432R	Ammeter	42	1002P	*Lockwasher 1/4
13	9700R	Harness - Lift Motor	43	503P	*Hex Nut 1/4 - 20 UNC
14	4171R	Insulated Clip	44	542P	*Hex Nut No. 10 - 32 UNF
15	8984R	Lift Switch (Inc. Key No. 18)	45	1583P	Brass Washer No. 10
16	9246R	Up-Down Switch	47	5959P	*Hex Self Tapping Screw No. 10 x 1/2 Type 23
17	7219R	Internal Tooth Lockwasher	48	3005P	*Hex Bolt 1/4 - 20 UNC x 3/4
18	546P	Hex Nut 15/32 - 32 NS	49	1506P	*Washer 8/32 x 5/8 x 16 Ga.
19	9697R	Ground Wire			
20	7783R	Light Switch			
21	7794R	Light Switch Knob			
24	2751H	Wire Clip			
25	7552H	Key and Ring Assembly			
26	4408R	Ignition Switch (Inc. Key No. 25)			
27	8257R	Terminal Identifier			
28	7755R	Safety Switch			

*STANDARD HARDWARE - PURCHASE LOCALLY

REPAIR PARTS

ROPER 11 H.P. GARDEN TRACTOR-MODEL NUMBER T1228BR

TRANSAXLE



REPAIR PARTS

ROPER 11 H.P. GARDEN TRACTOR-MODEL NUMBER T1228BR

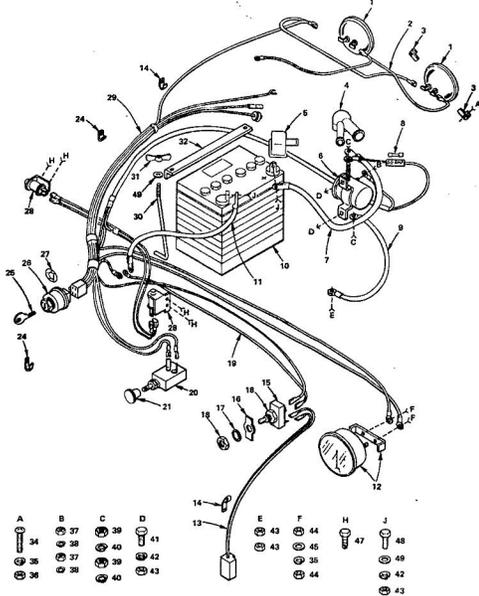
TRANSAXLE

KEY NO.	PART NO.	DESCRIPTION	KEY NO.	PART NO.	DESCRIPTION
1	4197R	Axle Shaft	49	4895H	Needle Bearing
2	5845R	Retaining Ring	50	4222R	Needle Bearing
3	4195R	Final Drive Gear	51	1529R	Needle Bearing
4	4216R	Differential Gear	52	8118M	Needle Bearing
5	4215R	Differential Pinion	53	4299R	Thrust Bearing Race
6	4217R	Differential Carrier	54	4299R	3rd Reduction Pinion - Low
7	6256R	Slide Thrust Washer	55	4213R	4th Reduction Gear
8	3056P	Hex Bolt 3/8 - 24 UNF x 3 - 1/4 (1" Thread Length)	56	4442R	3rd Reduction Pinion Spacer
9	7392M	Steel Ball	57	4196R	2nd Reduction Gear Shaft
10	6272H	Spring Shift Fork (Detent)	58	4214R	Final Drive Pinion
11	4980R	Shift Fork - High - Low Range	59	4194R	1st Reduction Gear Shaft
12	6256H	Thrust Bearing Race	60	7262R	1st Reduction Shaft Spacer
13	4212R	4th Reduction Pinion	61	4208R	3rd Reduction Pinion - High
14	4196R	3rd Reduction Gear Shaft	62	4207R	2nd Reduction Gear
15	6270H	Snap Ring - Crowned Type High - Low Range (Detent)	63	7398H	Needle Bearing
16	633A63	High - Low Range Gears	64	4203R	Low Speed Gear and 2nd Reduction Pinion Cluster
17	8118M	Needle Bearing	65	4204R	Reverse Gear
18	8140H1	Sintered Iron Bearing	66	7825M	Washnut Key 3/8 x 1/2
19	6217H	Shift Fork Shaft, High - Low Range	67	4826H	Snap Ring - Crowned Type Intermediate Speed Gear
20	6218R	Differential Pinion Spacer	68	4205H	High Speed Gear
21	6252H1	Differential Pinion Bushing	69	4206R	Thrust Bearing Race
22	7810H	Spring Control Nut 3/8 - 24 UNF	70	1270H	Thrust Bearing Race Intermediate and High Speed Cluster Pinion
23	4988R	Shift Fork - L.H.	71	633A69	Intermediate and High Speed Cluster Pinion
24	7351R	Oil Seal	72	4193R	Input Shaft
25	9225H	Sintered Iron Bearing	73	4201R	Low Speed Pinion
26	6216H	Shift Fork Shaft	74	5001P	E Ring
27	6262H	Shift Fork - R.H.	75	1153R	Reverse Idler Gear
28	9212R	Shift Fork, High - Low Range	76	7392H	Reverse Idler Thrust Washer
29	6269H	Oil Seal	77	5239H	Needle Bearing
30	5855H	Pressure Relief Valve	78	504P	*Hex Nut 5/16 - 18 UNC
31	633A65	Gears, Reverse Idler Shaft and Gearcase - R.H. (Inc. Key No. 1, 17, 18, 25, 26, 30, 43, 76, 77 and 82)	79	1167R	Sealing Washer
32	6272H	Down Pin	80	6270H	Oil Seal
33	4226R	Needle Bearing	81	6270H	Oil Seal
34	7398H	Thrust Bearing Race	82	7394H	Reverse Idler Shaft
35	4198R	4th Reduction Gear Shaft	83	6394H	Control Knob
36	4200R	4th Reduction Gear Spacer	84	9011H	Gear Shift Lever - Bent
37	7395H	Thrust Bearing Race	85	2013R	Gear Shift Cap
38	6275H	Gearcase Gasket	86	633A68	Gear Shift Ball Cover and Pin
39	633A64	Gearcase and Bearings - L.H. (Inc. Key No. 18, 25, 49, 50 (2), 51 and 52)	87	6759H1	Shift Lever Guide Ball - Keyed
40	4002P	Pipe Plug 1/2 - 14 N.P.T.	88	4924H	Spring
41	4015P	Elbow 90° - 1/2 - 18 N.P.T.	89	1503P	*Washer 15/32 x 5/16 x 11 Ga.
42	4016P	Soft Flow Needle 1/2 - 14 N.P.T. x 3	90	9106R	3rd Mechanism Seal
43	6271H	Oil Seal	91	1509P	*Washer 9/16 x 15/16 x 11 Ga.
44	4021P	Oil Seal	92	782	Gear Shift Latch
45	3027P	*Hex Bolt 5/16 - 18 x 1 1/2 G. x 5	93	6274H	Shift Ball Cover Gasket
46	1007P	Lockwasher 5/16 Extra Heavy	94	2005P	*Cover 1/8 - 3/8
			95	1003P	*Lockwasher 3/16
			96	2150P	*Hex Bolt 5/16 - 18 UNC x 7/8
			97	633A67	Gear Shift Lever Assy.
			98	633A66	Transaxle Assembly Less Brake Drum & Shift Lever Assy.

*STANDARD HARDWARE - PURCHASE LOCALLY

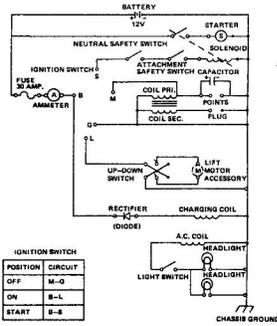
REPAIR PARTS

ELECTRICAL ROPER 11 H.P. GARDEN TRACTOR-MODEL NUMBER T1228AR



REPAIR PARTS

ELECTRICAL ROPER 11 H.P. GARDEN TRACTOR-MODEL NUMBER T1228AR

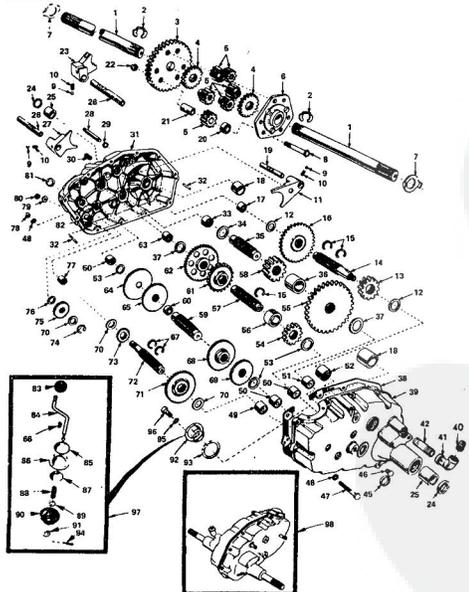


KEY NO.	PART NO.	DESCRIPTION	KEY NO.	PART NO.	DESCRIPTION
29	303J	Wiring Harness			
30	8864R	Battery Bolt			
31	3745M	Wing Nut 1/4 - 20 UNC			
32	8796R	Battery Hold Down			
34	3484P	Cross Recess Trans Hd. Mach. Screw No. 10 - 24 UNC x 1			
35	1006P	*Lockwasher No. 10			
36	525P	*Hex Nut No. 10 - 24 UNC			
37	521P	*Hex Nut No. 8 - 32 UNC			
38	1006P	*Lockwasher No. 8			
39	538P	*Hex Jam Nut 5/16 - 24 UNF			
40	1006P	*Lockwasher 5/16			
41	3114P	*Hex Bolt 1/4 - 20 UNC x 1/2			
42	1000P	*Lockwasher 1/4			
43	502P	*Hex Nut 1/4 - 20 UNC			
44	643P	*Hex Nut No. 10 - 32 UNF			
45	1883P	Brass Washer No. 10			
47	5085P	Hex Bolt 1/4 - 20 UNC x 3/4			
48	303P	No. 10 x 1/2 Type 23			
49	1506P	*Hex Bolt 1/4 - 20 UNC x 3/4			
		*Weather B/G 5/8 x 16 Ga.			

*STANDARD HARDWARE-PURCHASE LOCALLY

REPAIR PARTS

TRANSAXLE ROPER 11 H.P. GARDEN TRACTOR-MODEL NUMBER T1228AR



REPAIR PARTS

TRANSAXLE ROPER 11 H.P. GARDEN TRACTOR-MODEL NUMBER T1228AR

KEY NO.	PART NO.	DESCRIPTION	KEY NO.	PART NO.	DESCRIPTION
1	4197R	Axis Shaft			
2	5845R	Paralleling Ring			
3	4199R	Final Drive Gear			
4	4216R	Differential Gear			
5	4215R	Differential Pinion			
6	4217R	Differential Carrier			
7	6256R	Axis Thrust Washer			
8	3066P	Hex Bolt 3/8 - 24 UNF x 3 - 1/4 (11 Thread Length)			
9	7392M	Steel Ball			
10	8272H	Spring Shift Fork Detent			
11	4865R	Shift Fork, High - Low Range			
12	6259H	Thrust Bearing Race			
13	4212R	4th Reduction Pinion			
14	4180R	3rd Reduction Gear Shaft			
15	8279H	Snap Ring, Crescent Type			
16	8324G3	High - Low Range Gears			
17	8118M	Needle Bearing			
18	8740H1	Sintered Iron Bearing			
19	8217H	Shift Fork Shaft, High - Low Range			
20	4218R	Differential Pinion Spacer			
21	8252H	Differential Pinion Bushing			
22	7810H	Gripco Centerlock Nut 3/8 - 24 UNF			
23	4865R	Shift Fork - L.H.			
24	7393R	Oil Seal			
25	9291S	Sintered Iron Bearing			
26	8219H	Shift Fork Shaft			
27	6261H	Shift Fork - R.H.			
28	9012R	Shift Shaft, High - Low Range			
29	8269H	Oil Seal			
30	8856H	Pressure Relief Valve			
31	8324G6	Gearcase, Reverse Idler Shaft and Bearings - R.H. (Inc. Key No. 17, 18, 25, 35, 60, 63, 76, 77 and 82)			
32	8277H	Dowel Pin			
33	4225R	Needle Bearing			
34	7390H	Thrust Bearing Race			
35	4198R	4th Reduction Gear Shaft			
36	4200R	4th Reduction Gear Spacer			
37	7390H	Thrust Bearing Race			
38	8275H	Gearcase Gasket			
39	8334B4	Gearcase and Bearings - L.H. (Inc. Key No. 18, 25, 49, 50 (2), 51 and 52)			
40	4002P	Pipe Plug 1/2 - 14 N.P.T.			
41	4015P	Elbow 90°, 1/2 - 14 N.P.T.			
42	4014P	Std. Pipe Nipple 1/2 - 14 N.P.T. x 3			
43	8271H	Oil Seal			
44	4001P	Pipe Plug 1/4 - 18 N.P.T.			
45	3037P	*Hex Bolt 5/16 - 18 x 1 - 1/2 Grade 5			
46	1007P	Lockwasher 5/16 Extra Heavy			
47	4895H	Needle Bearing			
48	4222R	Needle Bearing			
49	1529R	Needle Bearing			
50	8119M	Needle Bearing			
51	4220R	Thrust Bearing Race			
52	4209R	3rd Reduction Pinion			
53	4213R	4th Reduction Gear			
54	4442R	2nd Reduction Pinion Spacer			
55	4195R	2nd Reduction Gear Shaft			
56	4214R	Final Drive Pinion			
57	4194R	1st Reduction Gear Shaft			
58	7328R	1st Reduction Shaft Spacer			
59	4208R	1st Reduction Pinion - High			
60	4207R	2nd Reduction Gear			
61	7398H	Needle Bearing			
62	4203R	Low Speed Gear and 2nd Reduction Pinion Cluster			
63	4204R	Reverse Gear			
64	7855M	Woodruff Key 1/8 x 1/2			
65	4892H	Snap Ring, Crescent Type			
66	4205R	Intermediate Speed Gear			
67	4206R	High Speed Gear			
68	1370H	Thrust Bearing Race			
69	8334G9	Intermediate and High Speed Cluster Pinion			
70	4203R	Low Speed Gear and 2nd Reduction Pinion Cluster			
71	4201R	Input Shaft			
72	4201R	Low Speed Pinion			
73	5001P	*E Ring			
74	1153R	Reverse Idler Gear			
75	7392H	Reverse Idler Thrust Washer			
76	4262H	Needle Bearing			
77	504P	*Hex Nut 5/16 - 18 UNC			
78	1160R	Sintered Washer			
79	541P	Hex Jam Nut 7/16 - 20 UNF			
80	8270H	Oil Seal			
81	7384H	Reverse Idler Shaft			
82	8364H	Control Knob			
83	9011R	Gear Shift Lever - Bent			
84	9013R	Gear Shift Lever - Bent			
85	8334B5	Gear Shift Ball Cover and Pin			
86	8739H1	Shift Lever - Gistic Ball - Keyed			
87	8334B5	Gear Shift Lever - Gistic Ball - Keyed			
88	4924H	Spring			
89	1502P	*Washer 1/2 x 5/8 x 16 Ga.			
90	8105R	Shift Mechanism Seal			
91	1569P	*Washer 5/16 x 5/16 x 11 Ga.			
92	75J	Gear Shift Gate			
93	8274H	Shift Ball Cover Gasket			
94	2265P	Cover 1/8 x 3/4			
95	1003P	*Lockwasher 5/16			
96	2159P	*Hex Bolt 5/16 - 18 UNC x 7/8			
97	8334B7	Gear Shift Lever Assy.			
98	8334B4	Transaxle Assembly Less Brake Drum & Shift Lever Assy.			

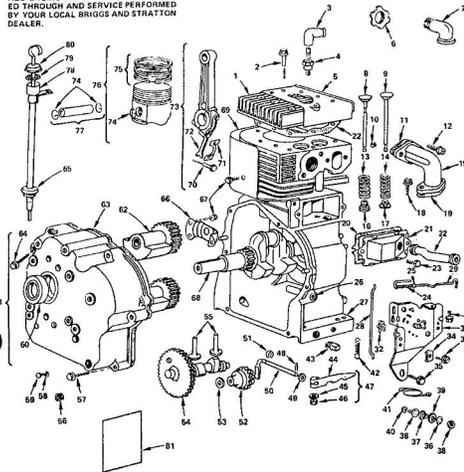
*STANDARD HARDWARE-PURCHASE LOCALLY

REPAIR PARTS

ROPER 11 H.P. GARDEN TRACTOR—MODEL NUMBER T12288R
BRIGGS & STRATTON ENGINE—MODEL NUMBER 252417 TYPE 0130-01

CYLINDER AND CRANKCASE

ALL ENGINE PARTS MUST BE PURCHASED THROUGH AND SERVICE PERFORMED BY YOUR LOCAL BRIGGS AND STRATTON DEALER.



REPAIR PARTS

ROPER 11 H.P. GARDEN TRACTOR—MODEL NUMBER T12288R
BRIGGS & STRATTON ENGINE—MODEL NUMBER 252417 TYPE 0130-01

CYLINDER AND CRANKCASE

KEY NO.	PART NO.	DESCRIPTION	KEY NO.	PART NO.	DESCRIPTION
1	212300	Head, Cylinder	45	220620	Washer
2	9372J	Screw, Cylinder Head	46	231082	Nut, Hex No. 10 - 24
3	66026	Elbow, Spark Plug	47	391732	Lever Assy., Governor (Inc. Key No's. 45, 46 & 61)
4	23918	Plug, Spark	48	93306	Capnut, Hex Pin
5	222725	Cover, Cylinder Head	49	222950	Washer, Governor Crank
6	911810	Locknut, Nut	50	231057	Crank, Governor
7	91308	Elbow, 90° Street	51	83207	Governor, "E" Ring
8	201395	Valve, Intake	52	391737	Gear, Governor
9	261462	Valve, Intake	53	221551	Washer, Thrust
10	93303	Retainer, Exhaust Valve	54	212298	Gear, Cam
11	210872	*Gasket, Intake Elbow	55	261193	Thrust, Valve
12	202760	Screw, Intake Elbow	56	93418	Pin, Hex Socket
13	20829	Spring, Exhaust Valve	57	93895	Reten., Crankcase Cover
14	62901	Spring, Intake Valve	58	222355	Washer
15	212301	Elbow, Intake	59	93554	Screw, Plug
16	202760	Retainer, Intake Valve	60	201875	Suit. Oil
17	212306	*Gasket, Crankcase Mounting	61	391747	Cover Assy., Crankcase (Inc. Key No. 60)
18	93415	Screw, Crankcase Mounting	62	391481	Counterweight & Bearing Assy.
19	210297	*Gasket, Crankcase Mounting	63	210856	*Gasket, Crankcase
20	21823	*Gasket, Valve Cover	64	93794	Screw, Crankcase Cover
21	301916	Breather Assy.	65	68839	Pin, Fillet
22	280112	Tube, Breather	66	222407	Retainer, Counterweight
23	93394	Screw, Breather Mfg.	67	93394	Screw, Retainer & Cylinder Shield
24	261119	Spring, Choke Link	68	201291	Shield, Cylinder
25	222552	Washer, Choke Link	69	222744	Screw, Connecting Rod
26	212656	Bushing, Governor Crank	70	92909	Screw, Connecting Rod
27	303413	Link, Governor Assy. (Inc. Key No. 26)	71	222299	Lock, Connecting Rod Screw
28	611208	Link, Governor	72	222323	Dupee, Connecting Rod
29	201289	Link, Choke	73	391816	Rod Assy., Connecting (Inc. Key No's. 71, 72 & 73)
30	301198	Plate, Governor	74	260924	Lock, Piston Pin
31	301533	Plate, Governor Control	75	391780	Ring, Seal, Piston
32	207412	Smith, Shoe	76	391785	Piston Assy., (Inc. Key No's. 75 & 76)
33	53459	Screw, Clamp	77	299881	Pin Assy., Piston (Inc. Key No. 75)
34	211855	Clamp, Cam	78	392283	Wash. Oil Filter
35	53335	Screw, Governor Plate	79	270933	Seal, Oil Filter Can
36	92791	Washer, Lock	80	392295	Can and Dripdock, Oil Filter
37	605284	Collar, Insulating	81	293421	Gasket Set
38	90576	Nut, Hex No. 8 - 32			
39	605288	Washer, Insulating			
40	93735	Screw, Terminal			
41	181094	Wax, Grease			
42	206595	Spring, Governor			
43	911602	Pin, Oil Drain			
44	92613	Bolt, Governor Lever			

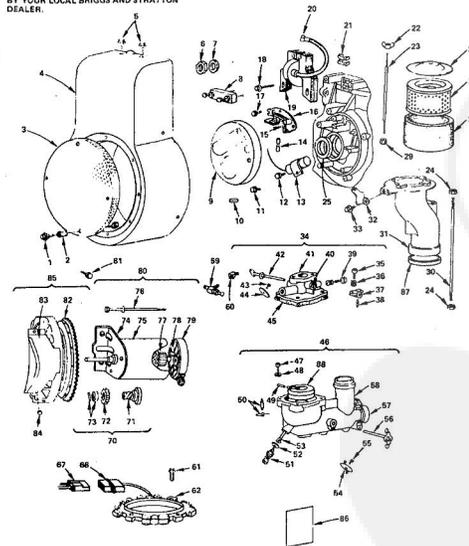
*INCLUDED IN GASKET SET 293421

REPAIR PARTS

ROPER 11 H.P. GARDEN TRACTOR—MODEL NUMBER T12288R
BRIGGS & STRATTON ENGINE—MODEL NUMBER 252417 TYPE 0130-01

STARTER, FLYWHEEL & CARBURETOR GROUP

ALL ENGINE PARTS MUST BE PURCHASED THROUGH AND SERVICE PERFORMED BY YOUR LOCAL BRIGGS AND STRATTON DEALER.



REPAIR PARTS

ROPER 11 H.P. GARDEN TRACTOR—MODEL NUMBER T12288R
BRIGGS & STRATTON ENGINE—MODEL NUMBER 252417 TYPE 0130-01

STARTER, FLYWHEEL & CARBURETOR GROUP

KEY NO.	PART NO.	DESCRIPTION	KEY NO.	PART NO.	DESCRIPTION
1	03572	Screw, Screen	46	301831	Carburetor Assy., (Inc. Key No's. 47, 48, 49, 50, 51, 52, 53, 54, 55, 56, 57 & 58)
2	221187	Sprocket	47	90745	Screw, Machine 10 - 32 x 5/8
3	222627	Screen, Blower Housing	48	82290	Lockwasher No. 10
4	391502	Housing, Blower	49	230396	*Pin, Float Hinge
5	911810	Screen, Blower Housing	50	299096	Valve, Fuel Inlet
6	92284	Washer, Spring	51	99525	*Valve, Needle
7	208655	Palmer, Flywheel	52	68557	*Gasket, Needle
8	19203	Cover, Breaker Point	53	390950	*Nozzle, Carburetor
9	222359	Key, Flywheel	54	391836	Valve, Choke
10	61760	Screw, Cover	55	93499	Screw, Choke Valve
11	93045	Screw, Condenser	56	391637	Shaft & Lever, Choke
12	95945	Pumper, Breaker Point	57	221747	Pin, Wedge
13	391792	Spring, Breaker Point	58	298514	Float, Carburetor
14	92704	Breaker Assy., Ignition	59	390303	Connector & Shoulder Valve
15	20018	Screw, Breaker Arm	60	92780	Elbow, Connector
16	391294	Screw, Armature Mfg.	61	93621	Screw, Starter
17	93226	Screw, Armature Adjusting	62	391520	Stator, Alternator
18	93281	Terminal, Ignition Cable	63	394658	Diode and Comm. Assembly
19	298988	Armature Assembly	64	393362	Airt. Harness Assembly
20	221798	Terminal, Ignition Cable	65	393418	Drive Assy., Starter (Inc. Key No's. 71, 72 & 73)
21	221907	Nut, Wing	71	391135	Clutch Assy., Starter
22	93653	Nut, Hex 1/4 - 28	72	280212	Gear, Starter
23	231124	Stud, Air Cleaner	73	391462	Retainer & Pin Assy.
24	90128	Nut, Hex 1/4 - 28	74	391751	Drive End Cap Assy., Starter
25	201086	Cap, Air Cleaner	75	392744	Housing Assy.
26	222724	Cartridge, Air Cleaner	76	391106	Thru Bolt Assy.
27	391028	Element, Air Cleaner	77	392747	Armature Assy.
28	210973	Element, Air Cleaner	78	390420	Blush Set
29	92278	Nut, Hex 1/4 - 20	79	260946	Commensator End Cap
30	231144	Stud, Air Cleaner Adapter	80	392749	Motor, Starting (Inc. Key No's. 74, 75, 76, 77, 78 & 79)
31	212242	Adapter, Air Cleaner	81	93523	Screw, Drive End Cap
32	22272	Bracket, Adapter	82	392134	Cover, Flawless Ring
33	90468	Screw, Adapter Bracket	83	391629	Cover & Shield, Starter
34	301833	Body Assy., Upper Carburetor (Inc. Key No's. 25, 30, 37, 38, 39, 40, 41, 42, 43, 44 & 45)	84	93410	Screw, Starter Cover
35	91920	Screw, B - 32 x 5/8	85	391988	Flywheel & Ring Gear Assy., (Inc. Key No's. 82, 83 & 84)
36	28157	Spring, Throttle Adjustment	86	210705	Carburetor Overhaul Kit
37	61987	Pin, Throttle Stop	87	270985	Gasket, Air Cleaner Adapter to Carburetor
38	93043	*Valve Assy., Carburetor Idle	88	298514	Float, Carburetor
39	292681	Stop, Throttle			
40	22108	Bushing, Throttle Shaft			
41	298759	Block, Upper Carburetor			
42	391596	Shaft & Lever, Throttle			
43	93495	Screw, Throttle Valve			
44	221839	Screw, Throttle			
45	270268	*Gasket, Carburetor Body			

*INCLUDED IN GASKET SET NO. 293421

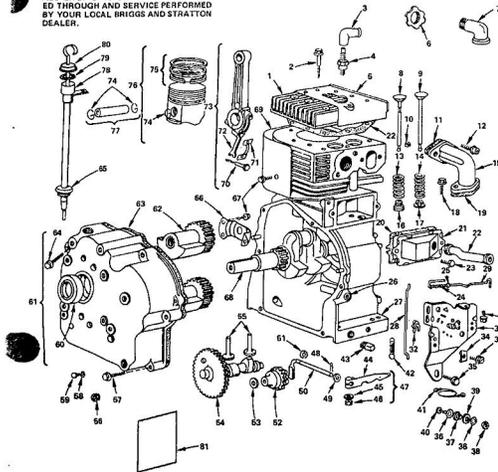
*INCLUDED IN CARBURETOR OVERHAUL KIT 391071

REPAIR PARTS

ROPER 11 H.P. GARDEN TRACTOR-MODEL NUMBER T1228AR
BRIGGS & STRATTON ENGINE-MODEL NUMBER 252417 TYPE 0130-01

CYLINDER AND CRANKCASE

ALL ENGINE PARTS MUST BE PURCHASED THROUGH AND SERVICE PERFORMED BY YOUR LOCAL BRIGGS AND STRATTON DEALER.



REPAIR PARTS

ROPER 11 H.P. GARDEN TRACTOR-MODEL NUMBER T1228AR
BRIGGS & STRATTON ENGINE-MODEL NUMBER 252417 TYPE 0130-01

CYLINDER AND CRANKCASE

KEY NO.	PART NO.	DESCRIPTION	KEY NO.	PART NO.	DESCRIPTION
1	212300	Head, Cylinder	45	220680	Washer
2	93723	Screw, Cylinder Head	46	221022	Nut, Hex No. 10 - 24
3	86638	Elbow, Spark Plug	47	391732	Lever Ass'y, Governor (Inc. Key No's 44, 45 & 46)
4	220918	Pin, Spark	48	93206	Cotter, Main Pin
5	222725	Cover, Cylinder Head	49	222450	Washer, Governor Crank
6	91210	Locknut, Nut	50	221027	Crank, Governor
7	91308	Elbow, 90° Street	51	93307	Retainer, "E" Ring
8	201189	Valve, Exhaust	52	391137	Red Assy, Governor
9	261462	Valve, Intake	53	221551	Washer, Thrust
10	93830	Retainer, Exhaust Valve	54	221258	Gear, Cam
11	220872	"Gasket, Intake Elbow	55	261183	Tappet, Valve
12	92208	Spring, Intake Valve	56	93816	Pin, Hex Socket
13	98628	Spring, Exhaust Valve	57	93885	Screw, Crankcase Cover
14	05906	Spring, Intake Valve	58	222956	Washer
15	212301	Elbow, Intake	59	93554	Screw, Plug
16	222260	Retainer, Intake Valve	60	201075	Stud, Oil
17	221566	Retainer, Exhaust Valve	61	391747	Governor Ass'y, Crankcase (Inc. Key No. 40)
18	93415	Screw, Carburetor Mounting	62	391481	Counterweight & Bearing Ass'y.
19	220567	"Gasket, Carburetor Mounting	63	220856	"Gasket, Crankcase
20	220803	"Gasket, Valve Cover	64	93766	Screw, Crankcase Cover
21	391575	Breather Ass'y.	65	68838	Seat, Filter Tube
22	280112	Tube, Breather	66	222407	Retainer, Counterweight
23	93294	Screw, Breather Mtg.	67	93294	Screw, Retainer & Cylinder Shield
24	261119	Tube, Choke Link	68	261291	Camshaft
25	222252	Washer, Choke Link	69	222744	Shield, Cylinder
26	221065	Bushing, Governor Crank	70	92929	Screw, Connecting Rod
27	393413	Cylinder Ass'y. (Inc. Key No. 25)	71	222259	Lock, Connecting Rod Screw
28	261235	Link, Choke	72	222222	Dipper, Connecting Rod
29	261289	Link, Choke	73	391816	Rod Assy, Connecting
30	93156	Screw, Governor Plate	74	260924	Lock, Piston Pin
31	391833	Plate, Governor Control	75	391780	Ring Set, Piston
32	297472	Switch, Stop	76	391295	Pin Ass'y. (Inc. Key No's 75 & 76)
33	93469	Screw, Clamp	77	262591	Pin, Oil Filter Cap
34	221535	Clamp, Casing	78	220823	Seal, Oil Filter Cup
35	221536	Screw, Governor Plate	79	93226	Cap and Distock, Oil Filter
36	92701	Washer, Lock	80	202421	Gasket Set
37	66654	Cap, Insulating	81		
38	90676	Nut, Hex No. 8 - 32			
39	66654	Cap, Insulating			
40	93735	Screw, Terminal			
41	291802	Wiring, Ground			
42	260208	Spring, Governor			
43	91084	Plug, Oil Drain			
44	92013	Ball, Governor Lever			

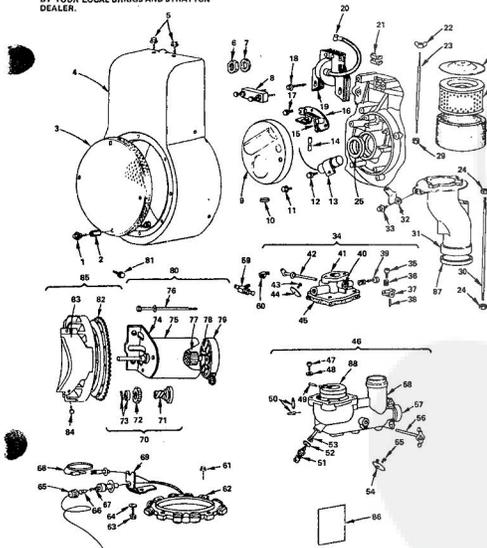
*INCLUDED IN GASKET SET 202421

REPAIR PARTS

ROPER 11 H.P. GARDEN TRACTOR-MODEL NUMBER T1228AR
BRIGGS & STRATTON ENGINE-MODEL NUMBER 252417 TYPE 0130-01

STARTER, FLYWHEEL & CARBURETOR GROUP

ALL ENGINE PARTS MUST BE PURCHASED THROUGH AND SERVICE PERFORMED BY YOUR LOCAL BRIGGS AND STRATTON DEALER.



REPAIR PARTS

ROPER 11 H.P. GARDEN TRACTOR-MODEL NUMBER T1228AR
BRIGGS & STRATTON ENGINE-MODEL NUMBER 252417 TYPE 0130-01

STARTER, FLYWHEEL & CARBURETOR GROUP

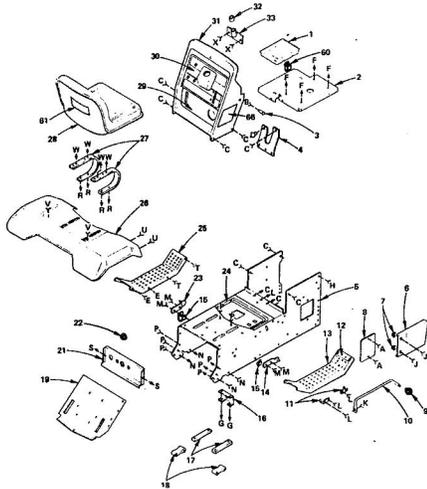
KEY NO.	PART NO.	DESCRIPTION	KEY NO.	PART NO.	DESCRIPTION
1	93572	Screw, Screen	48	391831	Carburetor Ass'y. (Inc. Key No's 47, 48, 49, 50, 51, 52, 53, 54, 55, 56, 57 & 58)
2	231187	Spacer	49	90748	Screw, Machine 10 - 32 x 5/8
3	222697	Screen, Blower Housing	46	92290	Lidwasher No. 10
4	291502	Housing, Blower	47	220898	+Pin, Float Hinge
5	93158	Screen, Blower Housing	50	220908	+Valve, Fuel Inlet
6	92284	Nut, Hex	51	95525	+Valve, Needle
7	220865	Washer, Spring	52	68587	+Gasket, Nozzle
8	19203	Pulley, Flywheel	53	390950	+Nozzle, Carburetor
9	220509	Key, Flywheel	54	391636	Valve, Choke
10	91760	Screw, Cover	55	34489	Spring, Choke Valve
11	93014	Screw, Condenser	56	391637	Shaft & Lever, Choke
12	93042	Condenser	57	221747	Pin, Wash
13	261799	Pin, Breaker Point	58	268514	Float, Carburetor
14	66704	Breaker Ass'y, Ignition	59	390263	Connector & Shut-off Valve
15	26018	Screw, Breaker Arm	60	92780	Elbow, Connector
16	391394	Screw, Breaker Adjusting	61	932571	Screw, Stator
17	93226	Screw, Armature Mtg.	62	391520	Stator, Alternator
18	93281	Screw, Armature Mtg.	63	93398	Screw, Bracket
19	298908	Terminal, Ignition Cable	64	220680	Washer
20	221798	Clip, Wire	65	390888	Knob Ass'y., Fuse
21	221907	Nut, Wing	66	391027	Diode, Alternator
22	39463	Stud, Air Cleaner	67	261299	Spring, Diode
23	221124	Adapter, Air Cleaner	68	290827	Wire Ass'y., Alternator
24	95129	Nut, Hex 1/4 - 28	69	222211	Bracket, Output
25	391686	Seal, Oil	70	393418	Wire Ass'y., Starter (Inc. Key No's 71, 72 & 73)
26	222724	Cup, Air Cleaner	71	391135	Clutch Ass'y., Starter
27	292295	Cartridge, Air Cleaner	72	282212	Gear, Starter
28	220973	Element, Air Cleaner	73	391462	Retainer & Pin Ass'y.
29	22279	Nut, Hex 1/4 - 20	74	391751	Drive End Cap Ass'y., Starter
30	221144	Stud, Air Cleaner Adapter	75	392744	Housing Ass'y.
31	222222	Bracket, Adapter	76	391206	Thru Bolt Ass'y.
32	222722	Screw, Adapter Bracket	77	392747	Armature Ass'y.
33	93469	Bracket, Adapter	78	392426	Bush Set
34	391633	Body Ass'y., Upper Carburetor (Inc. Key No's 36, 38, 37, 38, 39, 40, 41, 42, 43, 44 & 45)	79	392945	Commutator End Cap
35	91920	Screw 8 - 32 x 5/8	80	392749	Motor, Starter (Inc. Key No's 74, 75, 76, 77, 78 & 79)
36	39157	Spring, Throttle Adjustment	81	93523	Screw, Drive End Cap
37	61867	Stop, Throttle	82	392134	Gear, Flywheel Ring
38	92043	Pin, Throttle Stop	83	391629	Cover & Shield, Starter
39	292681	+Valve Ass'y., Carburetor Jet	84	93410	Screw, Starter Cover
40	22106	Bushing, Throttle Shaft	85	391888	Flywheel & Ring Gear Ass'y. (Inc. Key No's 82, 83 & 84)
41	298759	Body, Upper Carburetor	86	391071	Gasket, Air Cleaner Adapter to Carburetor
42	391595	Shaft & Lever, Throttle	87	220986	Gasket, Air Cleaner Adapter to Carburetor
43	93469	Screw, Throttle Valve	88	298514	Float, Carburetor
44	221939	Valve, Throttle			
45	220268	+Gasket, Carburetor Body			

*INCLUDED IN GASKET SET NO. 393421

*INCLUDED IN CARBURETOR OVERHAUL KIT 391071

REPAIR PARTS

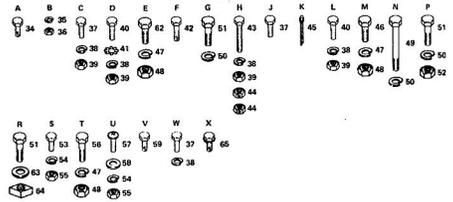
ROPER 14 H.P. GARDEN TRACTOR—MODEL NUMBER T4328AR
CHASSIS, FENDER & DASHBOARD



REPAIR PARTS

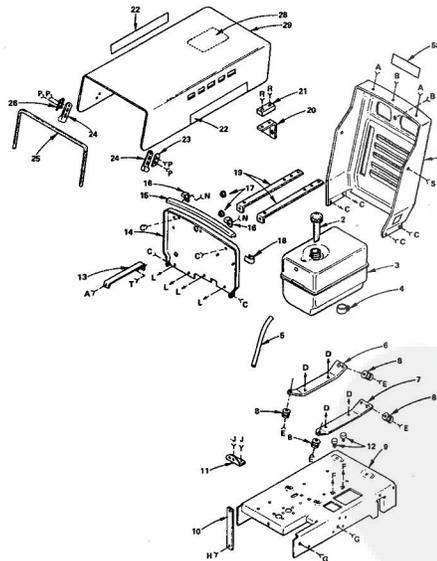
ROPER 14 H.P. GARDEN TRACTOR—MODEL NUMBER T4328AR
CHASSIS, FENDER & DASHBOARD

KEY NO.	PART NO.	DESCRIPTION	KEY NO.	PART NO.	DESCRIPTION
1	885SR	Battery Tray	36	505P	*Hex Nut No. 10 - 24 UNC
2	879FR	Tank & Battery Support	37	3003P	*Hex Bolt 5/16 - 18 UNC x 5/8
3	875SR	Hood Latch Pin	38	1003P	*Lockwasher 5/16
4	8792R	Tank & Battery Support Brace	39	504P	*Hex Nut 5/16 - 18 UNC
5	860SR	Chassis Channel	40	3010P	*Hex Bolt 5/16 - 18 UNC x 3/4
6	8791R	Engine Fuel Cover	41	1403P	*Ext. Tooth Lockwasher 5/16
7	891SR	Nut Retainer	42	9503P	Hex Head Thread Cutting Screw 5/16 - 18 UNC x 1 1/2 Type 23
8	860SR	Channel Access Cover	43	3373P	Hex Bolt 5/16 - 18 UNC x 1 - 1/2 Full Thd
9	6394H	Control Knob	44	1889H	Locknut 5/16
10	875SR	Range Shift Rod	45	2511P	*Cotter Pin 3/16 x 1
11	8818R	Range Shift Rod Bracket	46	3023P	*Hex Bolt 3/8 - 16 UNC x 7/8
12	890SR	Decal - Attachment Clutch	47	1004P	*Lockwasher 3/8
13	8940R	Foot Rest - R.H.	48	501P	*Hex Nut 3/8 - 16 UNC
14	673A33	Suspension Arm Bracket Weldment - R.H.	49	3165P	Hex Bolt 7/16 - 14 UNC x 2 - 1/4
15	2751R	Clip - Fuel Line	50	1001P	*Lockwasher 7/16
16	862SR	Transaxle Bracket	51	3034P	Hex Bolt 7/16 - 14 UNC x 1
17	155J	Seat Spring Lock Plate	52	509P	*Hex Nut 7/16 - 14 UNC
18	8248R	Transaxle Spacer	53	3114P	*Hex Bolt 1/4 - 20 UNC x 1/2
19	673A65	Drawbar Assembly	54	1002P	*Lockwasher 1/4
20	237J	Chassis Channel Cover	55	823P	*Hex Nut 1/4 - 20 UNC
21	3807R	Universal Bushing	56	3023P	*Hex Bolt 3/8 - 16 UNC x 1
22	673A38	Suspension Arm Bracket Weldment - L.H.	57	3388P	*Cross Recess Truss Head Machine Screw No. 10 - 24 UNC x 1/2
23	8888R	Decal - Shift Pattern	58	1506P	*Washer 9/32 x 5/8 x 16 Ga
24	8641R	Foot Rest - L.H.	59	8600P	Hex Head Thread Cutting Screw 5/16 - 18 UNC x 1/2 Type 23
25	8500R	Fender	60	4171R	Insulation Clip
26	8768R	Seat	61	245J	Decal - Roper
27	472J	Seat	62	3021P	*Hex Bolt 3/8 - 16 UNC x 3/4
28	199J	Decal - Lower Dashboard	63	1932P	*Washer 15/32 x 5/8 x 10 Ga
29	192J	Decal - Upper Dashboard	64	868P	Sawtooth Nut 7/16 - 14 UNC
30	163J	Dashboard	65	5606P	Hex Washer Hd. Thrd. Cutting Screw 1/4 - 20 UNC x 1/2 Type 23
31	8038R	Brake	66	244J	Decal - 14 H.P.
32	673A66	Steering Bracket & Bearing (Inc. Key No. 23)	---	912J	Warranty - Fac Tag
33	5699P	Hex Head Thread Cutting Screw 1/4 - 20 UNC x 1/2 Type 23	---	236J	Owner's Manual
34	1006P	Lockwasher No. 10	---	---	*STANDARD HARDWARE—PURCHASE LOCALLY



REPAIR PARTS

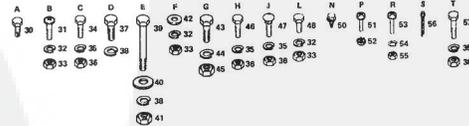
ROPER 14 H.P. GARDEN TRACTOR—MODEL NUMBER T4328AR
ENGINE MOUNT, HOOD & GRILL



REPAIR PARTS

ROPER 14 H.P. GARDEN TRACTOR—MODEL NUMBER T4328AR
ENGINE MOUNT, HOOD & GRILL

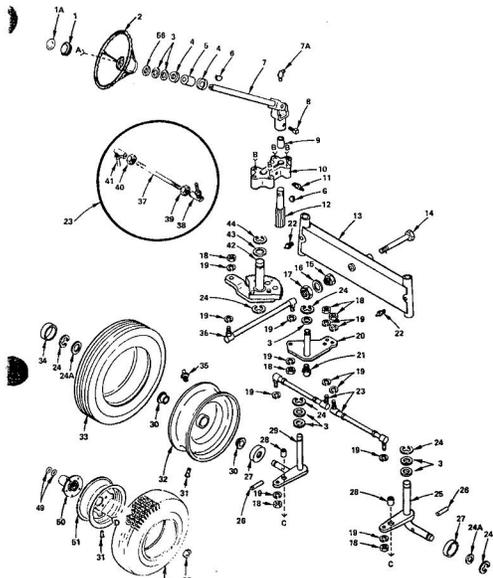
KEY NO.	PART NO.	DESCRIPTION	KEY NO.	PART NO.	DESCRIPTION
1	865SR	Grill	33	805P	*Hex Nut 1/4 - 20 UNC
2	889SR	Fuel Gauge	34	3008P	*Hex Bolt 5/16 - 18 UNC x 5/8
3	36J	Fuel Tank	35	1003P	*Lockwasher 5/16
4	887FR	Hose Clamp	36	504P	*Hex Nut 5/16 - 18 UNC
5	860SR	Fuel Line - Overflow	37	3022P	*Hex Bolt 3/8 - 16 UNC x 7/8
6	8300R	Engine Isolator Mounting Bracket - L.H.	38	1004P	*Lockwasher 3/8
7	8305R	Engine Isolator Mounting Bracket - R.H.	39	3238P	Hex Bolt Full Thread 3/8 - 16 UNC 2 - 1/4
8	673A124	Eng-Mount Ass'y	40	1589P	Washer 13/32 x 1 - 1/4 x 12 Ga.
9	673A176	Engine Base Weldment	41	501P	*Hex Nut 3/8 - 16 UNC
10	8818R	Engine Base Brace	42	1506P	*Washer 9/32 x 5/8 x 16 Ga.
11	890SR	Safety Switch Bracket	43	3034P	Hex Bolt 7/16 - 14 UNC x 1
12	8394R	Snubber Mount	44	1001P	*Lockwasher 7/16
13	8705R	Dashboard Brace	45	500P	*Hex Nut 7/16 - 14 UNC
14	8784R	Heat Shield	46	3010P	*Hex Bolt 5/16 - 18 UNC x 3/4
15	892SR	Sealing Strip	47	16P	*Std. Neck Carriage Bolt 5/16 - 18 UNC x 3/4
16	8934R	Sealing Strip Clamp	48	3114P	*Hex Bolt 1/4 - 20 UNC x 1/2
17	8151R	Snub Bushing	49	5601P	Hex Washer Head Sheet Metal Screw No. 10 x 3/8 Type AB
18	4171R	Insulated Clip	50	9601P	Hex Washer Head Sheet Metal Screw No. 10 - 24 UNC x 1/2
19	8781R	Grill Brace	51	3320P	*Keps Nut No. 10 - 24 UNC
20	892SR	Grill Bracket	52	3003P	*Cross Recess Pan Head Machine Screw No. 10 - 24 UNC x 1/2
21	9042P	Rubber Bumper	53	581P	*Keps Nut No. 10 - 24 UNC
22	242J	Decal - Roper	54	1003P	*Cross Recess Pan Head Machine Screw No. 10 - 24 UNC x 3/4
23	892SR	Hood Latch Cover - R.H.	55	505P	*Hex Nut No. 10 - 24 UNC
24	8888R	Hood Latch Cover - L.H.	56	2503P	*Cotter Pin 3/32 x 3/16
25	8037P	Hood Strip	57	3011P	*Hex Bolt 5/16 - 18 UNC x 1
26	8015R	Hood Latch Cover - L.H.	58	295J	Decal - Roper Logo
27	8028R	Decal - Maintenance	---	---	---
28	673A163	Hood Pin's	---	---	---
29	6600P	Hex Washer Head Thread Cutting Screw 5/16 - 18 UNC x 1/2 Type 23	---	---	---
30	6600P	*Cross Recess Truss Head Machine Screw 1/4 - 20 UNC x 3/4	---	---	---
31	3077P	Lockwasher 1/4	---	---	---
32	1002P	Lockwasher 1/4	---	---	---



REPAIR PARTS

ROPER 14 H.P. GARDEN TRACTOR-MODEL NUMBER T4328AR

STEERING AND FRONT AXLE



REPAIR PARTS

ROPER 14 H.P. GARDEN TRACTOR-MODEL NUMBER T4328AR

STEERING AND FRONT AXLE

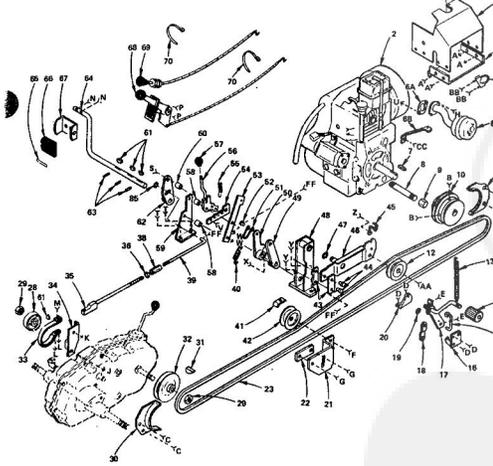
KEY NO.	PART NO.	DESCRIPTION	KEY NO.	PART NO.	DESCRIPTION
1	9719R	Steering Wheel Cap	29	673A19	Spindle Weldment - L.H.
1A	225J	Direct Steering Wheel Cap	30	6640R	Flange Bearing
2	2044R	Steering Wheel	31	795A	Line Valve
3	1522P	Washer 49/64 x 1 - 1/4 x 16 Ga.	32	3636R	Front Wheel (Inc. Key No's 20 & 29)
4	9007H	Cap - Steering Tube	33	2636R	Front Tire - Tubular 16 x 6.50 - 8
5	5949H	Rubber Bushing	34	2118R	Dust Cap
6	9268M1	Woodruff Key	35	6659M	Grease Fitting
7	9822R	U-Joint (Inc. Key No. 7A)	36	8865R	Steering Drag Link
7A	9207R	Grease Fitting	37	673A20	Tie Rod (Inc. Key No's 39 & 40)
8	4505P	Sp. Hd. Set Screw 3/8 - 10 UNC x 1/2	38	8922R	Tie Rod Joint - L.H. Thread
9	181J	Tie Joint Spacer	39	547P	*Hex Jam Nut 3/8 - 24 UNF - L.H.
10	8839R	Steering Support Bracket	40	546P	*Hex Jam Nut 3/8 - 24 UNF
11	6842M	Steering Knuckle	41	8821R	Tie Rod Joint - R.H. Thread
12	157J	Grease Fitting	42	673A17	Steering Sector Assy.
13	673A20	Front Axle Weldment	43	1563P	Washer 57/64 x 1 - 1/4 x 16 Ga.
14	8916R	*Washer 21/32 x 1 - 5/16 x 13 Ga.	44	6017P	E-Ring
15	156J	Shoulder Nut	45	3022P	*Hex Bolt 3/8 - 16 UNC x 1
16	1503P	*Washer 17/32 x 1 - 5/16 x 13 Ga.	46	1577P	*Hex Bolt 3/8 - 16 UNC x 1 - 3/4
17	522P	Hex Jam Nut 3/8 - 11 UNC	47	3028P	*Hex Bolt 3/8 - 16 UNC x 1 - 3/4
18	515P	*Hex Nut 3/8 - 24 UNF	48	5017P	*Hex Bolt 3/8 - 16 UNC
19	1004P	*Lockwasher 3/8	49	7583R	Axle Thrust Washers
20	673A20	Steering Bell Crank Weldment	50	65A4822	Wheel Hub and Bushing
21	6653M	Grease Fitting	51	3636R	Rear Wheel
22	6652M	Grease Fitting	52	3786R	Rear Tire - Tubular 23.0 x 8.50 - 12
23	673A15	Steering Tie Rod (Inc. Key No's 37 thru 41)	53	6846R	E-Ring
24	1569P	Washer 49/64 x 1 - 5/8 x 16 Ga.	54	1204H	Hub Bolt
25	673A20	Spindle Weldment - R.H.	55	3022P	*Hex Bolt 3/8 - 16 UNC x 7/8
26	9268R	Woodruff Key	56	1591H	*Hex Bolt 3/8 - 16 UNC x 21 GA
27	8788R	Dust Cup - Inner			*STANDARD HARDWARE-PURCHASE LOCALLY
28	8807H	Bushing - Steering Stop			



REPAIR PARTS

ROPER 14 H.P. GARDEN TRACTOR-MODEL NUMBER T4328AR

CLUTCH-BRAKE & DRIVE

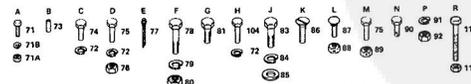


REPAIR PARTS

ROPER 14 H.P. GARDEN TRACTOR-MODEL NUMBER T4328AR

CLUTCH-BRAKE & DRIVE

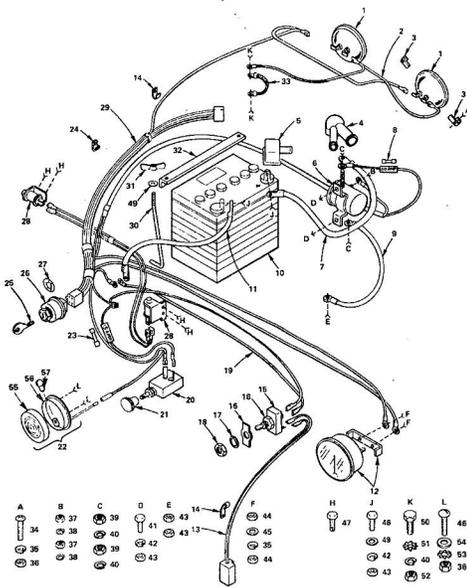
KEY NO.	PART NO.	DESCRIPTION	KEY NO.	PART NO.	DESCRIPTION
2	CH140	Engine - 14 H.P. Tecumseh	63	2228R	Woodruff Key 3/16 x 3/4 H.T.
3	15000R	Heat Deflector - Upper	64	8635R	Roll Pin
4	9585R	Heat Deflector - Lower	65	6142H	Roll Pin
5	673A75	Muffler Clamp (Inc. Key No's 72 & 76)	66	6760R	Foot Pedal Shaft
6	421J	Muffler	67	8887R	Inert - Clutch-Brake
6A	2049R	Muffler Gasket	68	9699R	Foot Pedal
6B	9223P	Exhaust Pipe Flange	69	6760R	Foot Pedal Bracket
7	9096E	Oil Drain Pipe 3/8 - 18 NPT x 3 - 1/2	69	8269R	Throttle Control
8	4011P	Drain Pipe Cap 3/8 - 18 NPT	70	8108R	Cable Tie
9	673A28	Engine Pulley & Set Screws	71	9218P	*Hex Nut Socket Head Stud - 10 - 24 UNC x 1/2
11	164J	Inc. Key No. 72	71A	666P	*Hex Nut No. 10 - 24 UNC
12	8968R	Spring - Mower Clutch	71B	1008P	*Lockwasher No. 10
13	8968R	Spring - Mower Clutch	72	1003P	*Lockwasher 5/16
14	8968R	Spring - Mower Clutch	73	4546P	*Hex Forged Socket Headless Set Screw 5/16 - 18 UNC x 1/2
15	9268R	Clutch Spring Hanger	74	3006P	*Hex Bolt 5/16 - 18 UNC x 5/8
16	673A105	Clutch Lever Bracket Assy.	76	604P	*Hex Bolt 5/16 - 18 UNC x 3/4
17	673A106	Clutch Lever Weldment	77	5006P	*Caster Pin 1/8
18	8827R	Clutch Link - Lower	78	3636P	*Hex Bolt 7/16 - 14 UNC x 1 - 1/2
19	5018P	Retaining Ring	79	1001P	*Lockwasher 7/16
20	8828R	Clutch Bracket - Inner	80	600P	*Hex Bolt 7/16 - 14 UNC
21	8828R	Clutch Bracket - Inner	81	9221P	*Hex Bolt 3/8 - 16 UNC x 3/4
22	8845R	Ground Drive Belt	83	3022P	*Hex Bolt 3/8 - 16 UNC x 7/8
23	8845R	Ground Drive Belt	84	1004P	*Lockwasher 3/8
24	214J	Clutch Drum	85	1813P	*Washer 13/32 x 13/16 x 16 Ga.
25	9204H	Locknut 1/2 - 20 UNF	85	3164P	Undercut Flat Head Mach. Screw 3/8 - 16 UNC x 3/4
26	8829R	Transaxle Pulley Belt Guide			
31	8858M1	Woodruff Key	87	10P	*Sp. Neck Carriage Bolt 1/4 - 20 UNC x 1/2
32	8847H	Brake Band Assy.	88	1605H	Locknut 1/4 - 20 UNC
33	673A25	Brake Band Assy.	89	1825H	*Locknut 5/16 - 18 UNC
34	673A27	Brake Band Helmet	90	8589P	*Hex Hd. Thread Cutting Screw 1/4 - 20 UNC x 1/2 Type 23
35	673A28	Brake Rod Assy.	91	1002P	*Lockwasher 1/4
36	546P	*Hex Nut 3/8 - 18 UNC	92	603P	*Hex Bolt 1/4 - 20 UNC
38	6417H	Turnbuckle	94	3275P	*Hex Bolt 5/16 - 18 UNC x 1 Grade 5
39	8829R	Brake Rod - Front	95	1506P	*Washer 5/16 x 3/4 x 16 Ga.
40	8968R	Spring	96	3156P	*Hex Bolt 5/16 - 18 UNC x 7/8
41	8829R	Wire Rope	97	1575P	*Washer 11/32 x 17/16 x 16 Ga.
42	8829H	Belt Idler - Flat	98	3003P	*Hex Bolt 1/4 - 20 UNC x 3/4
43	8815R	Clutch Arm Link	100	1005P	*Washer 9/32 x 1 - 1/4 x 16 Ga.
44	8912R	Drilled Flat Head Rivet	101	8502P	Cross Rees Truss Head Thread Cutting Screw 1/4 - 20 UNC x 1/2 Type 22
45	8848R	V - Idler Belt Guide	102	3022P	*Hex Bolt 3/8 - 16 UNC x 1 - 1/2
46	673A162	Belt Idler Bracket Weldment	103	601H	*Hex Bolt 3/8 - 16 UNC
47	5017P	*Hex Bolt 3/8 - 16 UNC	104	3010P	*Hex Bolt 5/16 - 18 UNC x 3/4 G. 5
48	673A21	Belt Idler Support Assy.	105	6546P	*Hex Hd. Self-Drilling Screw No. 10 x 3/8 Type 22
49	8827R	Clutch Drum	106	1804P	*Hex Washer Head Sheet Metal Screw No. 12 x 1/2 Type 48
50	8828R	Safety Switch Arm	107	5503P	*Hex Washer Head Sheet Metal Screw No. 12 x 1/2 Type 48
51	8828R	Safety Switch Arm	108	1566P	*Washer 1/4 x 9/16 x 16 Ga.
52	8911R	Drilled Flat Head Rivet	109	2056P	*Caster Pin 1/8 - 3/4
53	9220R	Parking Brake Lock Bracket	110	607P	*Hex Jam Nut 5/16 - 18 UNC
54	1068J	Parking Brake Lock Bar	111	3211P	*Hex Bolt 5/16 - 18 UNC x 2 - 3/4
55	8948R	Spring - Parking Brake			*STANDARD HARDWARE-PURCHASE LOCALLY
56	673A18	Parking Brake Lever Weldment			
57	8817R	Control Knob - Parking Brake			
58	8808R	Bushing - Brake Lever			
59	8822R	Parking Brake Support			
60	8909R	Bushing - Lock Bar			
60A	2011P	*Hex Bolt 5/16 - 18 UNC x 1			



REPAIR PARTS

ROPER 14 H.P. GARDEN TRACTOR-MODEL NUMBER T4328AR

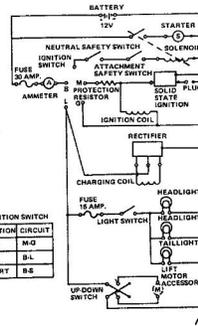
ELECTRICAL



REPAIR PARTS

ROPER 14 H.P. GARDEN TRACTOR-MODEL NUMBER T4328AR

ELECTRICAL

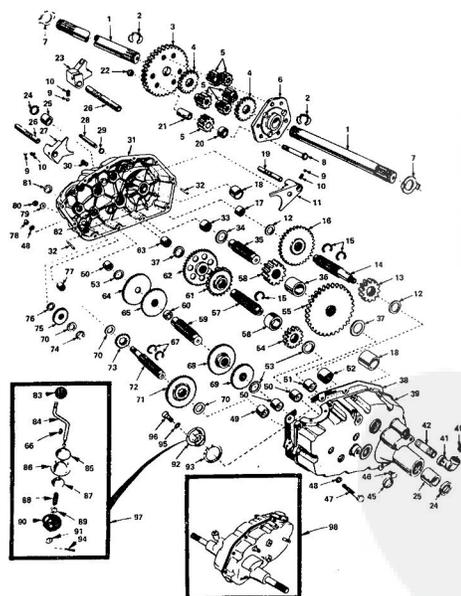


KEY NO.	PART NO.	DESCRIPTION	KEY NO.	PART NO.	DESCRIPTION
1	8452R	Headlight	32	8788R	Battery Hold Down
2	8031R	Wire - Headlight Ground	33	8288R	Ground Strap
3	874R	Headlight Glass	34	3348P	Cross Recast Trust Hd. Mesh. Screw No. 10 - 24 UNC x 1
4	51J	Terminal Insulator (Dual)	35	1006P	"Lockwasher No. 10
5	8566R	Terminal	36	805P	"Hex Nut No. 10 - 24 UNC
6	103H	Solenoid (Inc. Key No. 37 thru 40)	37	527H	"Hex Nut No. 8 - 32 UNC
7	8271R	Battery Cable	38	1002P	"Lockwasher No. 8
8	6347R	Fuse - 30 Amp.	39	832P	"Hex Nut 1/8 - 20 UNF
9	8008R	Starter	40	1003P	"Lockwasher 1/8
10	228L	Battery	41	3116P	"Hex Nut 1/4 - 20 UNF x 1/2
11	8681R	Ground Cable	42	1002P	"Lockwasher 1/8
12	9433R	Ammeter	43	802P	"Hex Nut 1/4 - 20 UNF
13	9700R	Horn - LH Motor	44	543P	"Hex Nut No. 10 - 32 UNF
14	4117R	Insulated Clip	45	1052P	Brass Washer No. 10
15	8966R	L2 Switch (Inc. Key No. 18)	46	3074P	Socket Flange Nut. Mach. Screw No. 10 - 24 x 3/4
16	8348R	Up-Down Plate	47	5959P	"Hex Self-Drilling Screw No. 10 x 1/2 Type 23
17	7318R	Internal Tooth Lockwasher	48	3003P	"Hex Bolt 1/4 - 20 UNC x 3/4
18	8657R	Ground	49	1506P	"Washer 9/32 x 5/8 x 18 Ga.
19	7795R	Light Switch	50	301P	"Hex Bolt 5/16 - 18 UNC x 3/4
20	7796R	Light Switch Knob	51	1483P	"Ext. Tooth Lockwasher 5/16
21	8282H	Tailight (Inc. Key No's. 55, 56 and 57)	52	1002P	"Lockwasher 1/8
22	7215R	Fuse 15 Amp.	53	1002P	"Lockwasher 1/8
23	7215R	Wire Clip	54	1506P	"Washer 7/32 x 1/2 x 18 Ga.
24	7052H	Key - 15 Amp.	55	8292H	"Flange - Tailight
25	4406R	Ignition Switch (Inc. Key No. 26)	56	8292H	"Bulb No. 1895 (2 Candle Power)
26	8657R	Terminal Insulator	57	8291H	"Bulb No. 1895 (2 Candle Power)
27	7755R	Safety Switch			
28	241J	Wing Harness			
29	8854R	Battery Bolt			
30	3748M	Wing Nut 1/4 - 20 UNC			

REPAIR PARTS

ROPER 14 H.P. GARDEN TRACTOR-MODEL NUMBER T4328AR

TRANSAXLE



REPAIR PARTS

ROPER 14 H.P. GARDEN TRACTOR-MODEL NUMBER T4328AR

TRANSAXLE

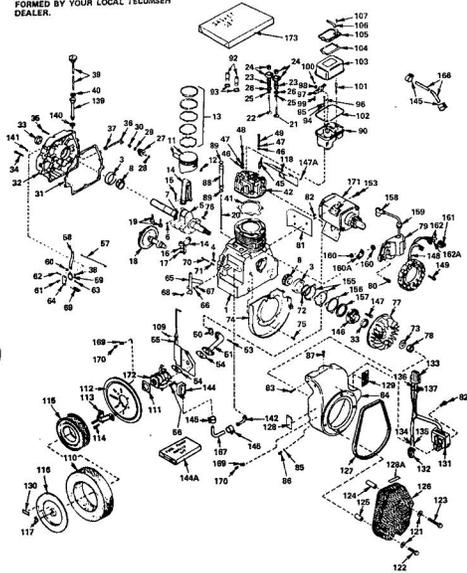
KEY NO.	PART NO.	DESCRIPTION	KEY NO.	PART NO.	DESCRIPTION
1	4107R	Axle Shaft	49	4805H	Needle Bearing
2	8845R	Retaining Ring	50	4222R	Needle Bearing
3	4199R	Final Drive Gear	51	1523R	Needle Bearing
4	4218R	Differential Pinion	52	8119M	Needle Bearing
5	4219R	Differential Pinion	53	4220R	Thrust Bearing Race
6	4217R	Differential Carrier	54	4209R	3rd Reduction Pinion - Low
7	6255H	Axle Thrust Washer	55	4212R	4th Reduction Gear
8	3065P	"Hex Bolt 3/8 - 24 UNF x 3 - 1/4 (3" Thread Length)	56	4442R	3rd Reduction Pinion Spacer
9	7802M	Shell Bolt	57	4169R	2nd Reduction Gear Shaft
10	6272H	Spring Shifts Fork Detent	58	42146	Final Drive Pinion
11	4085R	Shift Fork, High - Low Range	59	4194R	1st Reduction Gear Shaft
12	6268H	Thrust Bearing Race	60	7628R	1st Reduction Shaft Spacer
13	4212R	4th Reduction Pinion	61	4208R	3rd Reduction Pinion - High
14	4195R	3rd Reduction Gear Shaft	62	4207R	2nd Reduction Gear
15	4216H	Snap Ring - Crescent Type	63	7388H	Needle Bearing
16	633A63	High - Low Range Gears	64	4203R	Low Speed Gear and 2nd Reduction Pinion Cluster
17	8118M	Needle Bearing	65	4204R	Reverse Gear
18	8740H1	Sintered Iron Bearing	66	785M	Woodruff Key 1/8 x 1/2
19	6217H	Shift Fork Shaft, High - Low Range	67	4928H	Snap Ring - Crescent Type
20	4218R	Differential Pinion Spacer	68	4205R	Intermediate Speed Gear
21	6262H1	Differential Pinion Bushing	69	4206R	High Speed Gear
22	7810H	Group Gearlock Nut 3/8 - 24 UNF	70	1210H	Thrust Bearing Race
23	4968R	Shift Fork - L.H.	71	633A60	Intermediate and High Speed Cluster Pinion
24	7393R	Oil Seal	72	4102R	Input Shaft
25	902R1	Sintered Iron Bearing	73	4201R	Low Speed Pinion
26	6216H	Shift Fork - R.H.	74	5001P	"E Ring
27	6263H	Shift Fork, High - Low Range	75	1153R	Reverse Idler Gear
28	8012R	Oil Seal	76	7392H	Reverse Idler Thrust Washer
29	6260H	Oil Seal	77	559H	Needle Bearing
30	8885H	Pressure Relief Valve	78	504P	"Hex Nut 5/16 - 18 UNF
31	633A65	Gearcase, Reverse Idler Shaft and Bearings, R.H. (Inc. Key No's. 17, 18, 25, 31, 50, 61, 76, 77 and 82)	79	1167R	Sealing Washer
32	6277H	Dowel Pin	80	541P	"Hex Jam Nut 7/16 - 20 UNF
33	4222R	Needle Bearing	81	8270H	Oil Seal
34	7398H	Thrust Bearing Race	82	7384H	Reverse Idler Shaft
35	4198R	4th Reduction Gear Shaft	83	8364H	Control Knob
36	4200R	4th Reduction Gear Spacer	84	9011H	Gear Shift Lever - Bent
37	7395H	Thrust Bearing Race	85	9013R	Gear Shift Cap
38	6270H	Gearcase Gasket	86	633A62	Gear Shift Ball Cover and Pin
39	633A64	Gearcase and Bearings, L.H. (Inc. Key No's. 18, 25, 40, 50 (2), 51 and 52)	87	8738H1	Shift Lever Guide Ball - Keyed
40	4002P	Pin Plus 1/2 - 14 N.P.T.	88	4624H	Spring
41	4015P	Elbow 90° 1/2 - 14 N.P.T.	89	1503P	"Washer 19/32 x 5/8 x 18 Ga.
42	4018P	Std. Pipe Nipple 1/2 - 14 N.P.T. x 3	90	8155R	Shift Mechanism Seal
43	6271H	Oil Seal	91	1509P	"Washer 9/16 x 5/16 x 11 Ga.
44	4001P	Pin Plus 1/4 - 18 N.P.T.	92	75J	Gear Shift Gears
45	6271H	Oil Seal	93	6274H	Shift Ball Cover Gasket
46	3083P	"Hex Bolt 5/16 - 18 - 1 - 1/2 Grade 5	94	2905P	"Washer 1 1/8 x 3/8
47	3083P	"Hex Bolt 5/16 - 18 - 1 - 1/2 Grade 5	95	1002P	"Lockwasher 5/16
48	1007P	"Lockwasher 5/16 Extra Heavy	96	3159P	"Hex Bolt 5/16 - 18 UNF x 7/8
			97	633A67	Gear Shift Lever Assy.
			98	833A64	Transaxle Assembly Less Brake Drum & Shift Lever Assy.

*STANDARD HARDWARE - PURCHASE LOCALLY

REPAIR PARTS

ROPER 14 H.P. GARDEN TRACTOR-MODEL NUMBER T4328AR
TECUMSEH 4 CYCLE ENGINE-MODEL NUMBER OH140-160039B

ALL ENGINE PARTS MUST BE PURCHASED THROUGH AND SERVICE PERFORMED BY YOUR LOCAL TECUMSEH DEALER.



REPAIR PARTS

ROPER 14 H.P. GARDEN TRACTOR-MODEL NUMBER T4328AR
TECUMSEH 4 CYCLE ENGINE-MODEL NUMBER OH140-160039B

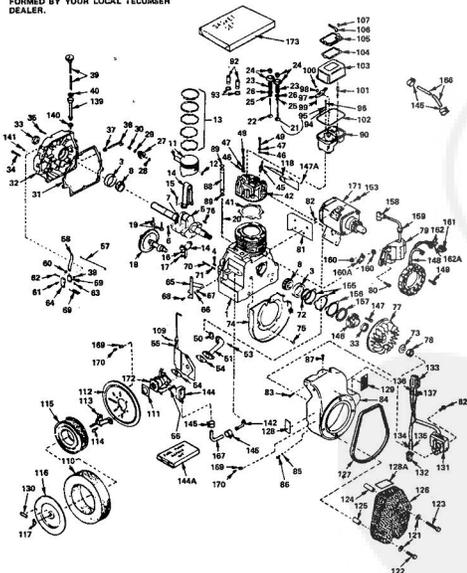
KEY NO.	PART NO.	DESCRIPTION	KEY NO.	PART NO.	DESCRIPTION
1	32823	Cylinder Assy. (Inc. No's. 4, 33 & 141)	34	30356	Screw, Hex Hd. Sems, 1/4 - 20 x 1
2	31928	Cup, Bearing	35	65055B	Screw, Hex Hd. Sems, 1/4 - 20 x 2
3	27652	Pin, Dowel	36	32425	Nut, Hex, Governor
4	33397	Crankshaft Assy. (Inc. No's. 3, 6, 7 & 8)	37	32426	Screw, Governor Rod
5	31931	Pin, Crankshaft Gds	38	25123	Ring, Retaining
6	31931	Gear, Crankshaft	39	33764	Oil Ring
7	31931	Retaining Ring	40	33764	Oil Ring
8	31931	Retaining Ring	41	33764	Gasket, Cylinder Head
9	33001A	Piston & Pin Assy. (Inc. No. 12) (Std.)	42	33764	Head, Cylinder (Inc. No. 92)
10	33002	Piston & Pin Assy. (Inc. No. 12) (0.010 oversize)	43	33764	Plug, Spark (Champion L-80 or equiv)
11	32003	Piston & Pin Assy. (Inc. No. 12) (0.020 oversize)	44	33053	Recirculator Plug (Canadian Regulation)
12	32003	Piston & Pin Assy. (Inc. No. 12) (0.040 oversize)	45	650691	Washer, Flat
13	32004	Ring Set, Piston (Std.)	46	650692	Washer, Bellows
14	32004	Ring Set, Piston (0.010 oversize)	47	650692	Screw, Hex Hd. Sems, 5/16 - 18 x 1-3/4
15	32004	Ring Set, Piston (0.020 oversize)	48	650692	Screw, Hex Hd. Sems, 5/16 - 18 x 1-3/8
16	32004	Ring Set, Piston (0.040 oversize)	49	33613	Gasket, Intake Pipe
17	32004	Ring Set, Piston (0.020 oversize)	50	33613	Ring, Intake
18	32004	Ring Set, Piston (0.020 oversize)	51	79202B	Screw, Hex Hd. Sems 5/16 - 18 x 7/8
19	32004	Ring Set, Piston (0.020 oversize)	52	33613	Gasket, Carburetor
20	32004	Ring Set, Piston (0.020 oversize)	53	33177A	Baffle, Air Extension
21	32004	Ring Set, Piston (0.020 oversize)	54	65037B	Screw, Flat Hd. Sems, 5/16 - 18 x 1-1/8
22	32004	Ring Set, Piston (0.020 oversize)	55	33177A	Link, Governor
23	32004	Ring Set, Piston (0.020 oversize)	56	31953	Level, Governor Adjusting
24	32004	Ring Set, Piston (0.020 oversize)	57	31954	Clamp, Governor Lever
25	32004	Ring Set, Piston (0.020 oversize)	58	65057B	Lockwasher No. 10 E.T.
26	32004	Ring Set, Piston (0.020 oversize)	59	30312	Screw, Hex Washer Hd., 10 - 32 x 1/2
27	32004	Ring Set, Piston (0.020 oversize)	60	65057B	Screw, Pan Hd., 10 - 24 x 3/8
28	32004	Ring Set, Piston (0.020 oversize)	61	30312	Nut, Square, 10 - 24
29	32004	Ring Set, Piston (0.020 oversize)	62	31965	Plate, Governor Spring
30	32004	Ring Set, Piston (0.020 oversize)	63	31965	Lever Assy., Control
31	32004	Ring Set, Piston (0.020 oversize)	64	31965	Washer, Valve
32	32004	Ring Set, Piston (0.020 oversize)	65	31965	Washer, Governor Lever
33	32004	Ring Set, Piston (0.020 oversize)	66	65057B	Screw, Hex Washer Hd., 10 - 24 x 5/8
34	32004	Ring Set, Piston (0.020 oversize)	67	31967	Spring, Governor
35	32004	Ring Set, Piston (0.020 oversize)	68	65057B	Screw, Hex Hd., 10 - 24 x 2
36	32004	Ring Set, Piston (0.020 oversize)	69	31967	Spring, Locking
37	32004	Ring Set, Piston (0.020 oversize)	70	31967	Spring, Locking
38	32004	Ring Set, Piston (0.020 oversize)	71	31967	Spring, Locking
39	32004	Ring Set, Piston (0.020 oversize)	72	31967	Spring, Locking
40	32004	Ring Set, Piston (0.020 oversize)	73	65066B	Washer, Lock
41	32004	Ring Set, Piston (0.020 oversize)	74	65066B	Baffle, Blower Housing
42	32004	Ring Set, Piston (0.020 oversize)	75	65066B	Screw, Hex Hd. Sems, 1/4 - 20 x 5/8
43	32004	Ring Set, Piston (0.020 oversize)	76	65066B	Pin, Flywheel
44	32004	Ring Set, Piston (0.020 oversize)	77	61096B	Flywheel
45	32004	Ring Set, Piston (0.020 oversize)	78	65066B	Maguro, Solid State (Inc. No's. 158 & 160A)
46	32004	Ring Set, Piston (0.020 oversize)	79	61096B	Maguro, Solid State (Inc. No's. 158 & 160A)

*INDICATES PARTS INCLUDED IN GASKET SET KEY NO. 173

REPAIR PARTS

ROPER 14 H.P. GARDEN TRACTOR-MODEL NUMBER T4328AR
TECUMSEH 4 CYCLE ENGINE-MODEL NUMBER OH140-160039B

ALL ENGINE PARTS MUST BE PURCHASED THROUGH AND SERVICE PERFORMED BY YOUR LOCAL TECUMSEH DEALER.



REPAIR PARTS

ROPER 14 H.P. GARDEN TRACTOR-MODEL NUMBER T4328AR
TECUMSEH 4 CYCLE ENGINE-MODEL NUMBER OH140-160039B

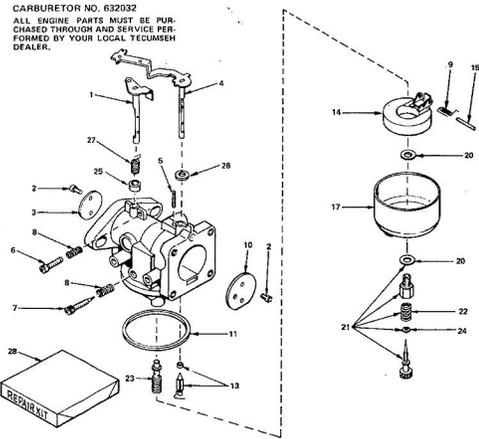
KEY NO.	PART NO.	DESCRIPTION	KEY NO.	PART NO.	DESCRIPTION
80	650601	Screw, Flat Hd., w/Conical Spring Lockwasher, 1/4 - 20 x 3/4	125	34378	Spacer, Screen
81	33439	Extension, Blower Housing	126	34378	Screen Assy., Blower Housing (Inc. No. 126)
82	30668	Screw, Hex Hd. Sems, 1/4 - 20 x 1/2	127	34377	Seal, Guard
83	650751	Washer, 1/4 - 20 x 7/16	128	34378	Decal, Name & Instruction
84	33775A	Housing, Blower	129	34378	Decal, Name
85	6714	Lockwasher, Split, 5/16	130	33964	Decal, Air Cleaner
86	650565	Screw, Hex Hd., 5/16 - 24 x 3/8	131	61096B	Regulator, Recirculator (Inc. No's. 132 & 133)
87	650752	Screw, Hex Hd. Sems, 1/4 - 20 x 7/16	132	61096B	Terminal
88	33460	Tube, Push Rod	133	61096B	Terminal
89	33461	"O" Ring	134	61096B	Terminal
90	33462	Housing, Rocker Arm	135	61096B	Terminal
91	33463	Valve Guide Kit (Inc. No. 93)	136	61096B	Terminal
92	33415	"O" Ring	137	61096B	Terminal
93	33415	"O" Ring	138	61096B	Terminal
94	33415	"O" Ring	139	61096B	Terminal
95	650168	Washer, Flat	140	29613	Gasket, Oil Filler Tube
96	650168	Washer, Flat	141	31927	Plug, Plug (3/8 - 18 Sq. Hd.)
97	33465	Arm, Rocker	142	33958	Filler, Fuel Pump
98	33466	Ring, Retaining	143	33958	Pump, Impulse Fuel
99	650755	Screw, Adjusting	144A	33010	Repair Kit, Impulse Fuel Pump
100	650556	Nut, Hex	145	29640	Cover, Cylinder (See Note 1)
101	650756	Bracket, Rocker Arm Cover	146	32977	Screw, Hex Hd. Sems, 5/16 - 18 x 7/8
102	33467	"O" Ring	147	79202B	Screw, Hex Hd. Sems, 5/16 - 18 x 1-1/8
103	33468	Cover, Rocker Arm	147A	650739	Cover, Air
104	31928	Gasket, Breather	148	61096B	Cover Assy., Alternator (Inc. No's. 149 & 150A)
105	33469	Body Assy., Breather	149	650561	Screw, Flat Hd. Sems, 10 - 32 x 1-1/8
106	33469	Tube, Breather	150	650561	Screw, Hex Hd. Sems, 5/16 - 18 x 11/16
107	30102	Screw, Hex Washer Hd. Sems, w/Mastic	151	31971	Gasket, Shim 1.005/0.007 thick, use note 1
108	30102	Screw, Hex Washer Hd. Sems, w/Mastic	152	31972	Gasket, Shim 1.005/0.007 thick, use note 1
109	650738	Cutting, 1/4 - 20 x 5/8	153	33025	Gasket, Spark Plug
110	32906	Fitter, Pre-Air	154	610118	Cover, Spark Plug
111	33092	Gasket, Air Cleaner	155	610118	Grasscut, Lead Wire
112	33777	Bracket, Air Cleaner	156	610408	Nut, Hex, 8 - 32
113	33778	Bracket, Air Cleaner	157	61096B	Terminal
114	650739	Screw, Flat Hd. Sems, 10 - 32 x 5/8	158	61096B	Terminal
115	33028	Element, Air Cleaner	159	61096B	Terminal
116	32904	Cover, Air Cleaner	160A	61096B	Terminal
117	650513	Nut, Wing	161	33025	Terminal
118	33455	Cover, Cylinder Head	162	34377	Line, Fuel
119	650513	Washer, Lock	163	34377	Clip, Control
120	79203	Screw, Hex Hd. Sems, 1/4 - 20 x 1-3/4	164	29642	Screw, Hex Hd. Sems, 10 - 32 x 3/8
121	650508	Screw, Torx Hd., 1/4 - 28 x 2 - 9/16	165	33676	Motor, Spacer (1/2 Vols) (Inc. No. 153)
122	650508	Screw, Torx Hd., 1/4 - 28 x 2 - 9/16	166	62032	Carburetor (Inc. No. 54)
123	650508	Screw, Torx Hd., 1/4 - 28 x 2 - 9/16	167	33516A	Gasket Set (Inc. items marked *)
124	34378	Spacer, Screen	173		

*Indicates Parts Included in Gasket Set Key No. 173
NOTE: Determine the gap between the cover and the modified surface on the cylinder, which can be from .001" up to .007". In which case no shim gaskets will be required. Use of gaskets must be limited to a combined total of .010" thick. Steel spacers must be used as required to eliminate crankshaft end play.

REPAIR PARTS

ROPER 14 H.P. GARDEN TRACTOR-MODEL NUMBER T43284R
TECUMSEH 4 CYCLE ENGINE-MODEL NUMBER OH140160039B

CARBURETOR NO. 632032
ALL ENGINE PARTS MUST BE PURCHASED THROUGH AND SERVICE PERFORMED BY YOUR LOCAL TECUMSEH DEALER.

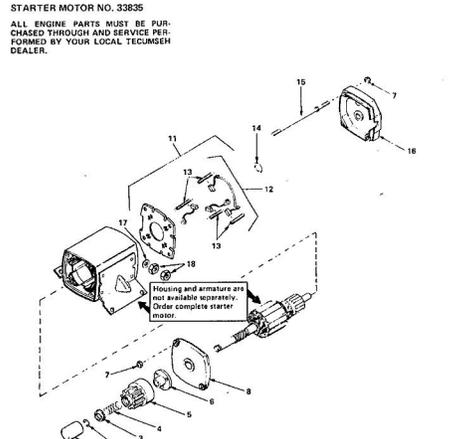


KEY NO.	PART NO.	DESCRIPTION	KEY NO.	PART NO.	DESCRIPTION
1	631881	Shaft & Lever Assy., Throttle (Inc. Key No. 2)	11	27109	*Gasket, Bowl-to-Body
2	30357	Screw, Hd. Hd., 6 - 32 x 3/16 (Early Production)	13	632024	*Valve, Seat & Spring Assy. (Inc. No. 9)
3	650506	Screw, Pan Hd. 4 - 40 x 3/16 (Late Production)	14	27106	Float
4	631882	Shutter, Throttle	15	27106	Float
5	631883	Shaft & Lever Assy., Choke (Inc. Key No. 2)	16	27110	*Gasket, Bowl-to-Body
6	27113	Spring, Choke Stop	17	29170	*Needle Assy., Power Adjusting (Inc. No's. 20, 22, & 24)
7	650339	Spring, Throttle Adjusting	18	630786	Spring, Adjusting Needle
8	27114	Screw, Throttle Adjusting	19	631842	Needle, Main
9	27114	Spring, Adjusting	20	27844	*"O" Ring
10	632017	Spring, Float Shaft	21	632039	Seal, Throttle Shaft Dust
11	631884	Shutter, Choke	22	632040	Seal, Choke Shaft Dust
			23	32098	Spring, Throttle Return
			24	632032	Repair Kit (Inc. Items Marked *)

REPAIR PARTS

ROPER 14 H.P. GARDEN TRACTOR-MODEL NUMBER T43284R
TECUMSEH 4 CYCLE ENGINE-MODEL NUMBER OH140160039B

STARTER MOTOR NO. 33835
ALL ENGINE PARTS MUST BE PURCHASED THROUGH AND SERVICE PERFORMED BY YOUR LOCAL TECUMSEH DEALER.

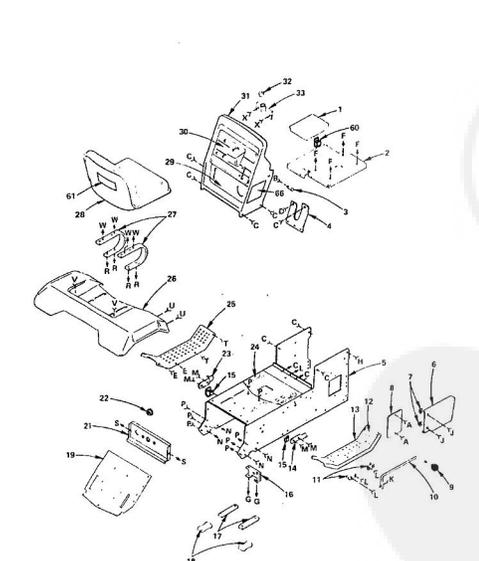


KEY NO.	PART NO.	DESCRIPTION	KEY NO.	PART NO.	DESCRIPTION
1	33841	Cover, Dust	12	33849	Brush & Spring Kit (Inc. 4 pcs. of No. 13)
2	33842	Ring, Retainer	13	33850	Spring, Brush
3	33843	Retainer, Spring	14	980500	Washer, Thrust
4	33844	Spring, Anti-Drill	15	33851	Bolt, 10 - 32 x 5 - 1/4
5	33845	Clear	16	33852	Cap Assy., Commutator end
6	33433	Nut, Engaging	17	950168	Washer, Flat
7	33460	Nut, Lock	18	650723	Nut, Hex
8	33845	Cap Assy., Drive End			
11	33846	Card Assy., Brush (Inc. No. 12)			

REPAIR PARTS

ROPER 14 H.P. GARDEN TRACTOR-MODEL NUMBER T43288R

CHASSIS, FENDER & DASHBOARD

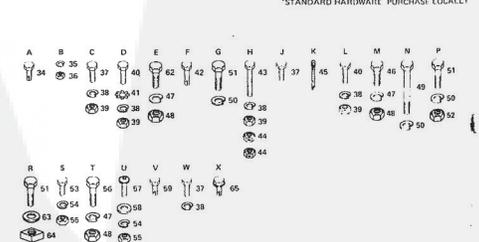


REPAIR PARTS

ROPER 14 H.P. GARDEN TRACTOR-MODEL NUMBER T43288R

CHASSIS, FENDER & DASHBOARD

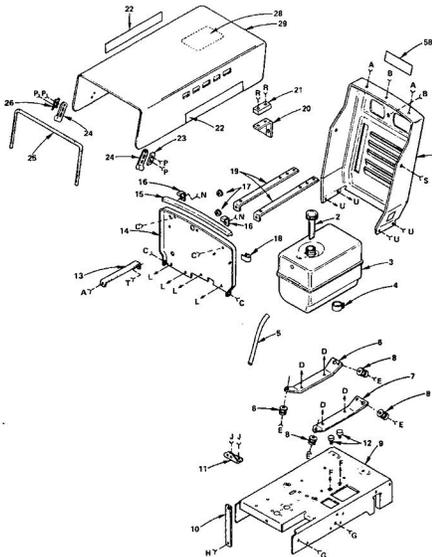
KEY NO.	PART NO.	DESCRIPTION	KEY NO.	PART NO.	DESCRIPTION
1	8945R	Battery Tray	36	505P	*Hex Nut No. 10 - 24 UNC
2	8797R	Tank & Battery Support	37	3009P	*Hex Bolt 5/16 - 18 UNC x 5/8
3	8755R	Head Latch Pin	38	1003P	*Lockwasher 5/16
4	8792R	Tank & Battery Support Brace	39	504P	*Hex Nut 5/16 - 18 UNC
5	8656R	Chassis Channel	40	3010P	*Hex Bolt 5/16 - 18 UNC x 3/4
6	8791R	Escape Pulley Cover	41	1408P	*Ext. Torx Lockwasher 5/16
7	8815R	Nut, Retainer	42	5503P	Hex Head Thread Cutting Screw 5/16 - 18 UNC x 2 1/2 Torx T3
8	8802R	Channel Access Cover	43	3373P	Hex Bolt 5/16 - 18 UNC x 1 1/2 Full T7
9	8364H	Control Knob	44	1685H	Locknut 5/16
10	8766R	Range Shift Rod	45	2511P	*Cutler Pin 3/16 x 1
11	8810R	Range Shift Rod Bracket	46	2022P	*Hex Bolt 3/8 - 16 UNC x 7/8
12	8900R	Decal - Attachment Clutch	47	1004P	*Lockwasher 3/8
13	8842R	Foot Rest - R.H.	48	5011P	*Hex Nut 1/4 - 16 UNC
14	67343Z	Suspension Arm Bracket Weldment - R.H.	49	3165P	Hex Bolt 7/16 - 14 UNC x 2 1/4
15	2751R	Clip - Fuel Line	50	1001P	Lockwasher 7/16
16	8629R	Transaxle Bracket	51	3024P	*Hex Bolt 7/16 - 14 UNC x 1
17	105J	Seat Spring Lock Plate	52	500P	*Hex Nut 7/16 - 14 UNC
18	9248R	Transaxle Spacers	53	3114P	*Hex Bolt 1/4 - 20 UNC x 1 1/2
19	67345B	Driveline Assembly	54	1002P	Lockwasher 1 1/4
21	237J	Chassis Channel Cover	55	500P	*Hex Nut 1/4 - 20 UNC
22	3807R	Universal Bushing	56	3023P	*Hex Bolt 3/8 - 16 UNC x 1
23	67343B	Suspension Arm Bracket Weldment - L.H.	57	3308P	*Cross Recess Torx Head Machine Screw 1/4 - 20 UNC x 5/8
24	8888R	Decal - Shift Pattern	58	5600P	Hex Head Thread Cutting Screw 5/16 - 18 UNC x 1 1/2 Type 23
25	5041R	Foot Rest - L.H.	59	500P	*Hex Nut 1/4 - 20 UNC
26	8509R	Fender	60	4171R	Headrest Clip
27	8768R	Seat Spring	61	245J	Decal - Ripper
28	2214J	Seat	62	3021P	*Hex Bolt 3/8 - 16 UNC x 3/4
29	189J	Decal - Lower Dashboard	63	1544P	*Washer 15/32 x 15/16 x 16 Ga.
30	192J	Decal - Upper Dashboard	64	560P	Screw Nut 7/16 - 14 UNC
31	163J	Dashboard	65	560P	Hex Washer HD Flat Contour Screw 1/4 - 20 UNC x 1 1/2 Type 23
32	9038R	Steering Bracket & Bearing (Inc. Key No. 23)	66	244J	Decal - 14 H.P.
33	6569P	*Hex Head Thread Cutting Screw 1/4 - 20 UNC x 1 1/2 Type 23			
35	1006P	*Lockwasher No. 10			



REPAIR PARTS

ROPER 14 H.P. GARDEN TRACTOR-MODEL NUMBER T43288R

ENGINE MOUNT, HOOD & GRILL



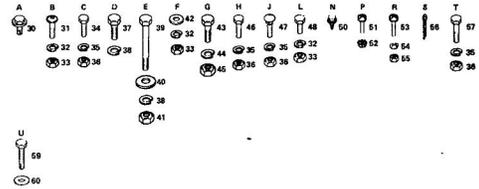
REPAIR PARTS

ROPER 14 H.P. GARDEN TRACTOR-MODEL NUMBER T43288R

ENGINE MOUNT, HOOD & GRILL

KEY NO.	PART NO.	DESCRIPTION	KEY NO.	PART NO.	DESCRIPTION
1	1547J	Grill	33	503P	*Hex Nut 1/4 - 20 UNC
2	8509R	Fuel Gauge	34	3003P	*Hex Bolt 5/16 - 18 UNC x 5/8
3	30J	Fuel Tank	35	1003P	*Lockwasher 5/16
4	8577R	Fuel Line	36	504P	*Hex Nut 5/16 - 18 UNC
5	8908R	Fuel Line - Overflow	37	3022P	*Hex Bolt 3/8 - 16 UNC x 7/8
6	5306S	Fuel Isolator Mounting Bracket - L.H.	38	1004P	*Lockwasher 3/8
7	8205R	Engine Isolator Mounting Bracket - R.H.	39	3232P	*Hex Bolt Full Thread 3/8 - 16 UNC x 1/4
8	5734124	Hex Nut 1/4 - 20 UNC	40	1588P	*Washer 13/32 x 1 - 1/4 x 12 Ga.
9	673A201	Engine Base Weldment	41	501P	*Hex Nut 3/8 - 16 UNC
10	8518R	Engine Base Drive	42	1506P	*Washer 9/32 x 5/8 x 16 Ga.
11	1505J	Safety Switch Bracket	43	3034P	*Washer 7/16 - 14 UNC x 1
12	8304R	Snubber Mount	44	1001P	*Lockwasher 7/16
13	8780R	Dashboard Brace	45	500P	*Hex Nut 7/16 - 14 UNC
14	8704R	Heat Shield	46	3010P	*Hex Bolt 5/16 - 18 UNC x 3/4
15	9230S	Sealing Strip	47	16P	*Sp. Neck Carriage Bolt 5/16 - 18 UNC x 2/4
16	8934R	Sealing Strip Clamp	48	3114P	*Hex Bolt 1/4 - 20 UNC x 1/2
17	0151R	Snap Bushing	50	5001P	*Hex Washer Head Sheet Metal Screw No. 10 x 3/8 Type AB
18	4171R	Insulated Clip	51	3320P	*Cross Recess Pan Head Machine Screw No. 10 - 24 UNC x 1/2
19	8781R	Grill Brace	52	501P	*Hex Nut No. 10 - 24 UNC
20	8523R	Grill Bracket	53	3005P	*Cross Recess Pan Head Machine Screw No. 10 - 24 UNC x 1/2
21	9042R	Rubber Bumper	54	1005P	*Lockwasher No. 10
22	242J	Decal - Roper	55	501P	*Hex Nut No. 10 - 24 UNC
23	8925R	Hood Latch Cover - R.H.	56	2503P	*Cover Pin 3/32 x 2/4
24	8898R	Hood Latch	57	3011P	*Hex Bolt 5/16 - 18 UNC x 1
25	8927R	Hood Strip	58	253J	*Decal - Roper Logo
26	9012S	Hood Latch Cover - L.H.	59	5503P	*Screw, Hex Hd. Thread Cutting, Type 23 5/16 - 18 UNC x 3/4
28	8028R	Decal - Maintenance	60	1537P	*Washer 1/2 x 1 1/8 x 16 Ga.
29	673A202	Hex Washer Head Thread Cutting Screw 5/16 - 18 UNC x 1 1/2 Type 23			
31	3077P	*Cross Recess Truss Head Machine Screw 1/4 - 20 UNC x 3/4			
32	1002P	*Lockwasher 1/4			

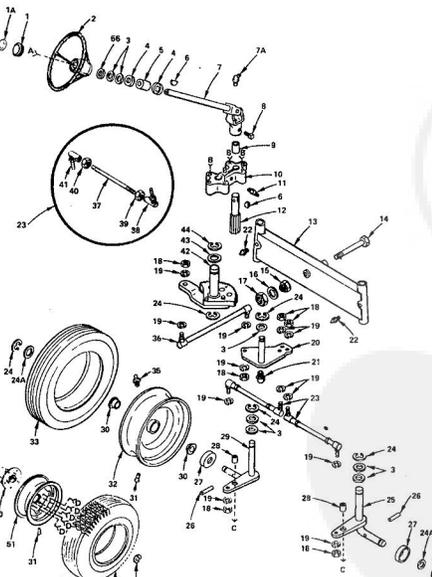
*STANDARD HARDWARE-PURCHASE LOCALLY



REPAIR PARTS

ROPER 14 H.P. GARDEN TRACTOR-MODEL NUMBER T43288R

STEERING AND FRONT AXLE



REPAIR PARTS

ROPER 14 H.P. GARDEN TRACTOR-MODEL NUMBER T43288R

STEERING AND FRONT AXLE

KEY NO.	PART NO.	DESCRIPTION	KEY NO.	PART NO.	DESCRIPTION
1	9719R	Steering Wheel Cap	29	673A10	Spindles Weldment - L.H.
1A	235J	Decal - Steering Wheel Cap	30	9040H	Flanged Bearing
2	3044R	Steering Wheel	31	735R	Tire Valve
3	1517P	Washer 25/32 x 1 - 1/4 x 16 Ga.	32	3526R	Front Wheel (Inc. Key No's. 30 & 35)
4	9007H	Cup - Steering Tube	33	3526R	Front Tire - Tubeless 16 x 6.50 - 8
5	5989R	Rubber Bushing	35	6266M	Grease Fitting
6	9958M1	Woodruff Key	36	8665R	Steering Drag Link
7	9929I	U-Joint (Inc. Key No. 7A)	37	673A19	Tie Rod (Inc. Key No's. 39 & 40)
7A	4545H	Clasp Fitting	38	8922R	Tie Rod Joint - L.H. Thread
8	4503P	Sp. Hd. Set Screw 3/8 - 16 UNC x 1/2	39	547P	*Hex Jam Nut 3/8 - 24 UNF - L.H.
9	101J	"U" Joint Spacer	40	546P	*Hex Jam Nut 3/8 - 24 UNF
10	8529R	Steering Support Bracket	41	8921R	Tie Rod Joint - R.H. Thread
11	6842M	Grease Fitting	42	673A17	Steering Sector Assy.
12	151J	Steering Pawl	43	1518P	Washer 25/32 x 1 - 1/4 x 16 Ga.
13	673A26	Front Axle Weldment	44	5017P	E-Ring
14	8916H	Shoulder Nut	45	3023P	*Hex Bolt 3/8 - 16 UNC x 1
15	156J	Washer 21/32 x 1 - 5/16 x 13 Ga.	46	1517P	*Washer 7/16 x 1 1/4 x 14 Ga.
16	1503P	*Hex Jam Nut 3/8 - 11 UNC	47	3028P	*Hex Bolt 3/8 - 16 UNC x 1 - 3/4
17	523P	*Hex Nut 3/8 - 11 UNC	48	501P	*Hex Nut 3/8 - 16 UNC
18	515P	*Hex Nut 3/8 - 24 UNF	49	7562R	Axle Thrust Washers
19	1004P	*Lockwasher 3/8	50	6544002	Wheel Hub and Bushing
20	673A30	Steering Bell Crank Weldment	51	3535R	Rear Wheel
21	6853M	Grease Fitting	52	3765R	Rear Tire - Tubeless 23.0 x 8.50 - 12
22	6853M	Grease Fitting	53	5845R	E-Ring
23	673A15	Steering Tie Rod (Inc. Key No's. 37 thru 41)	54	1524H	Hub Bolt
24	5003P	E-Ring	55	3022P	*Hex Bolt 3/8 - 16 UNC x 7/8
24A	1021P	Washer 25/32 x 1 - 5/8 x 16 Ga.	56	1591P	*Washer 25/32 x 1 - 1/4 x 21 Ga.
25	673A20	Spindles Weldment - R.H.			
26	8530R	Grease Pin			
27	8781R	Dust Cap			
28	8507R	Bushing - Steering Stop			

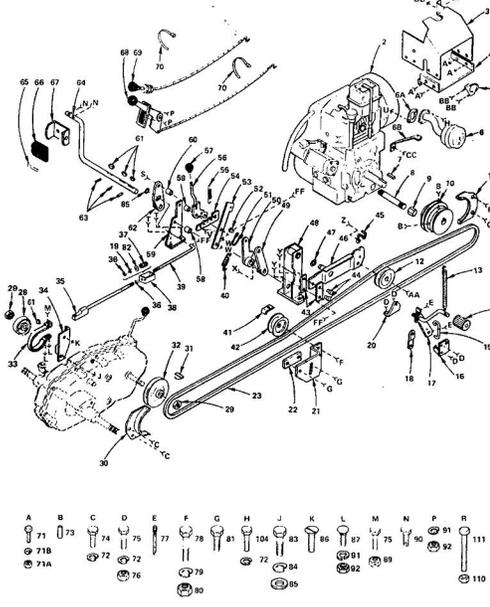
*STANDARD HARDWARE-PURCHASE LOCALLY



REPAIR PARTS

ROPER 14 H.P. GARDEN TRACTOR-MODEL NUMBER T43288R

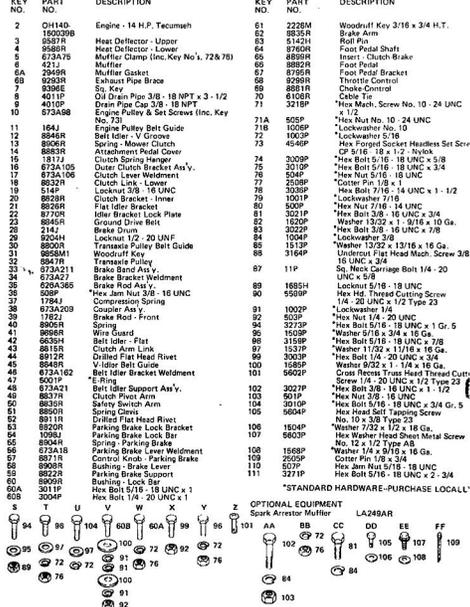
CLUTCH-BRAKE & DRIVE



REPAIR PARTS

ROPER 14 H.P. GARDEN TRACTOR-MODEL NUMBER T43288R

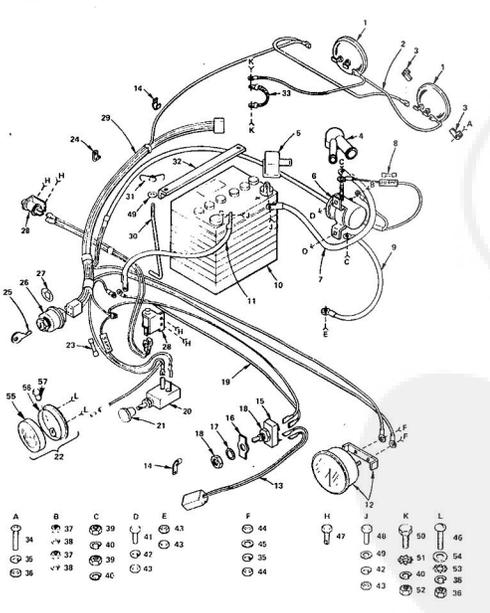
CLUTCH-BRAKE & DRIVE



REPAIR PARTS

ROPER 14 H.P. GARDEN TRACTOR-MODEL NUMBER T43288R

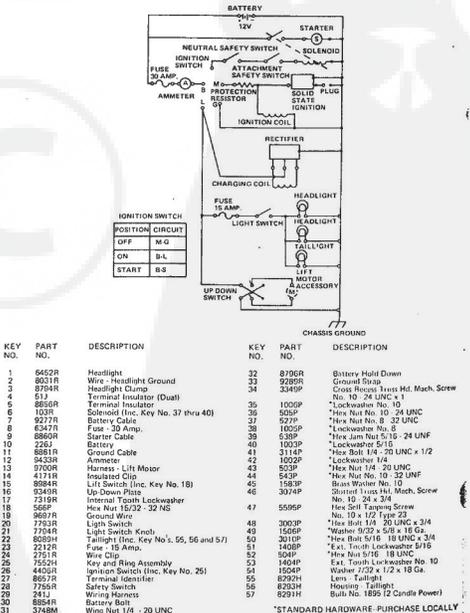
ELECTRICAL



REPAIR PARTS

ROPER 14 H.P. GARDEN TRACTOR-MODEL NUMBER T43288R

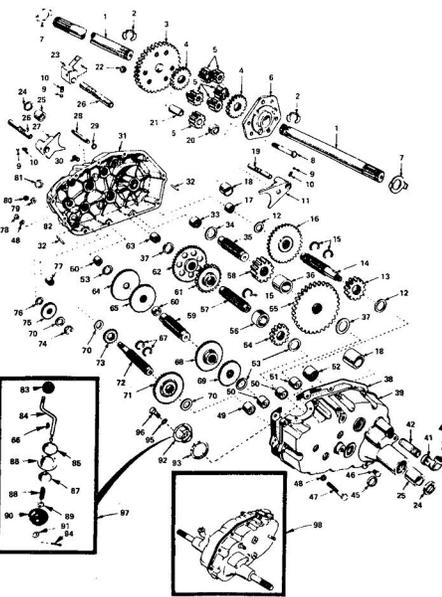
ELECTRICAL



REPAIR PARTS

ROPER 14 H.P. GARDEN TRACTOR-MODEL NUMBER T4328BR

TRANSAXLE



REPAIR PARTS

ROPER 14 H.P. GARDEN TRACTOR-MODEL NUMBER T4328BR

TRANSAXLE

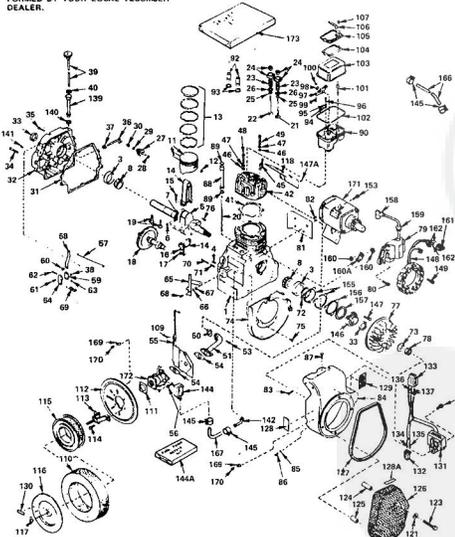
KEY NO.	PART NO.	DESCRIPTION	KEY NO.	PART NO.	DESCRIPTION
1	4197R	Axle Shaft	46	4895H	Needle Bearing
2	5845R	Retaining Ring	50	4222R	Needle Bearing
3	4199R	Front Drive Gear	51	4529R	Needle Bearing
4	4216R	Differential Gear	52	8115M	Needle Bearing
5	4215R	Differential Pinion	53	4220R	Thrust Bearing Race
6	4217R	Differential Carrier	54	4205R	3rd Reduction Pinion - Low
7	6256H	Axle Thrust Washer	55	4212R	4th Reduction Gear
8	3065P	Hex Bolt 5/8" - 24 UNF x 3 - 1/4 (1" Thread Length)	56	444276	3rd Reduction Pinion Spacer
9	7392M	Steel Ball	57	4195R	2nd Reduction Gear Shaft
10	6272H	Spring Shift Fork Detent	58	4714R	Front Drive Pinion
11	4956R	Shift Fork, High - Low Range	59	4194R	1st Reduction Gear Shaft
12	6268H	Thrust Bearing Race	60	3528R	1st Reduction Shaft Spacer
13	4212R	4th Reduction Pinion	61	4208R	3rd Reduction Pinion - High
14	4196R	3rd Reduction Gear Shaft	62	4207R	2nd Reduction Gear
15	6276H	Snap Ring - Crescent Type High - Low Range Clutch	63	7398H	Needle Bearing
16	633AC3	High - Low Range Clutch	64	4202R	Low Speed Gear and 2nd Reduction Pinion Clutch
17	8118M	Needle Bearing	65	4204R	Reverse Gear
18	6246H1	Sintered Iron Bearing	66	7355M	Woodruff Key 1/8 x 1/2
19	8217H	Shift Fork Shaft, High - Low Range	67	4926H	Snap Ring - Crescent Type Intermediate Speed Gear
20	4218R	Differential Pinion Spacer	68	4206R	High Speed Gear
21	6262H1	Differential Pinion Bushing	69	4206R	Thrust Bearing Race
22	7810H	Crescent Gearlock Nut 3/8" - 24 UNF	70	1306H	Intermediate and High Speed Clutch Pinion
23	4985R	Shift Fork - L.H.	71	633A69	Intermediate and High Speed Clutch Pinion
24	7393R	Oil Seal	72	4193R	Input Shaft
25	9221H	Sintered Iron Bearing	73	4201R	Low Speed Pinion
26	6216H	Shift Fork - R.H.	74	5001P	E-Ring
27	6294H	Shift Fork - R.H.	75	1533R	Reverse Idler Gear
28	9912R	Shift Shaft, High - Low Range	76	7382H	Reverse Idler Gear Thrust Washer
29	6269H	Oil Seal	77	6252H	Needle Bearing
30	5855H	Pressure Relief Valve	78	5259H	*Hex Nut 5/16" - 18 UNC
31	633A65	Gearcase, Reverse Idler Shaft and Bearings - R.H. (Inc. Key No. 17, 18, 25, 23, 50, 63, 76, 77 and 82)	79	1187R	Washing Washer
32	6272H	Dowel Pin	80	6270H	Oil Seal
33	4223R	Needle Bearing	81	7384H	Reverse Idler Shaft
34	7398H	Thrust Bearing Race	83	6364H	Control Knob
35	4198R	4th Reduction Gear Shaft	84	6011H	Gear Shift Lever - Bent
36	4200R	4th Reduction Gear Shaft	85	9013R	Gear Shift Cap
37	7398H	Thrust Bearing Race	86	633A68	Gear Shift Ball Cover and Pin
38	6279H	Gearcase Gasket	87	8739H1	Shift Lever Guide Ball - Keyed
39	633A64	Gearcase and Bearings - L.H. (Inc. Key No. 18, 25, 45, 50 (2), 51 and 52)	88	4244H	Spring
40	4002P	Pin Plug 1/2" - 14 N.P.T.	89	1053P	*Washer 10/32 x 5/16 x 1/8 Ga.
41	4015P	Elbow 90° 1/2" - 14 N.P.T.	90	8105R	*Shift Mechanism Seal
42	4014P	90° Tee 1/2" - 14 N.P.T. x 3	91	1569H	*Shift Lever Seal
43	6274H	Oil Seal	92	75J	Gear Shift Gasket
44	6274H	Oil Seal	93	6274H	Shift Ball Cover Gasket
45	6271H	Oil Seal	94	2505P	*Cover 1/8 x 3/4
46	4003P	Pin Plug 1/4" - 18 N.P.T.	95	1003P	*Lockwasher 6/16
47	3087P	*Hex Bolt 5/16" - 18 x 1 - 1/2 Grade 5	96	3166P	*Hex Bolt 5/16" - 18 UNC x 7/8
48	1007P	*Lockwasher 5/16 Extra Heavy	97	633A87	Gear Shift Lever Assy
			98	633A84	Transaxle Assembly Less Brake Drum & Shift Lever Assy

*STANDARD HARDWARE-PURCHASE LOCALLY

REPAIR PARTS

ROPER 14 H.P. GARDEN TRACTOR-MODEL NUMBER T4328BR
TECUMSEH 4 CYCLE ENGINE-MODEL NUMBER OH140-1600398

ALL ENGINE PARTS MUST BE PURCHASED THROUGH AND SERVICE PERFORMED BY YOUR LOCAL TECUMSEH DEALER.



REPAIR PARTS

ROPER 14 H.P. GARDEN TRACTOR-MODEL NUMBER T4328BR
TECUMSEH 4 CYCLE ENGINE-MODEL NUMBER OH140-1600398

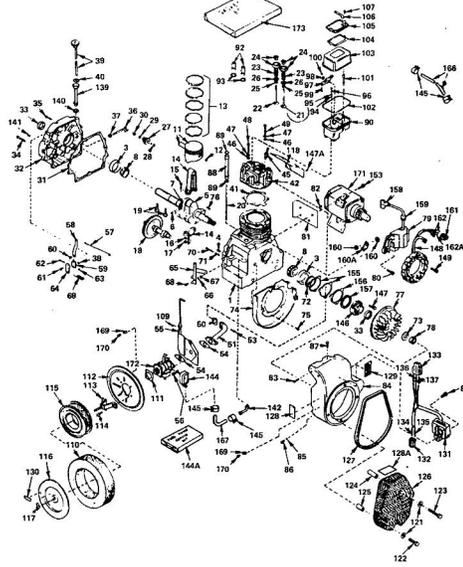
KEY NO.	PART NO.	DESCRIPTION	KEY NO.	PART NO.	DESCRIPTION
1	33523	Cylinder Assy. (Inc. No's. 4, 33 & 141)	34	30964	Screw, Hex Hd. Sems, 1/4 - 20 x 1
2	31278	Cup, Bearing	35	650588	Screw, Hex Hd. Sems, 1/4 - 20 x 2
3	27652	Pin, Dowel	36	32579	Rod Assy. Governor
4	33397	Crankshaft Assy. (Inc. No's. 3, 6, 7 & 8)	37	32426	Spacer, Governor Rod
5	22163	Pin, Crankshaft Cap	38	29193	Ring, Retaining
6	31931	Gear, Crankshaft	39	33764	Dipstick, Oil Fill (Inc. No. 40)
7	31932	Bearing, Tapered Roller	40	101	O-Ring
8	31932	Bearing, Tapered Roller	41	33474	*Gasket, Cylinder Head
11	32001A	Piston & Pin Assy. (Inc. No. 12) (Std.)	42	31923	Spring, Cylinder (Inc. No. 92)
11	32001	Piston & Pin Assy. (Inc. No. 12) (I/O oversize)	45	33657	Plug, Spark (Champion L-85 or equivalent except for Capcode)
11	32003	Piston & Pin Assy. (Inc. No. 12) (I/O oversize)	45	34046	Restrictor Spark Plug (Canadian Regulated engine - B5 restrictor spark plug)
11	32610	Piston & Pin Assy. (Inc. No. 12) (I/O oversize)	46	65091	Washer, Flat
11	32620	Piston & Pin Assy. (Inc. No. 12) (I/O oversize)	47	65090	Washer, Bellville
12	31910	Ring, Piston Pin Retaining	48	65092	Screw, Hex Hd. 5/16" - 18 x 1 - 3/4
13	32004	Ring Set, Piston (Std.)	48	650746	Screw, Hex Hd. 5/16" - 18 x 1 - 3/8
13	32002	Ring Set, Piston (I/O oversize)	50	33515	*Gasket, Intake Pipe
13	32005	Ring Set, Piston (I/O oversize)	51	33476	Pin, Intake
13	32003	Ring Set, Piston (I/O oversize)	53	79202B	Screw, Hex Hd. Sems 5/16" - 18 x 7/8
13	32024	Ring Set, Piston (I/O oversize)	54	33476	*Gasket, Carburetor
14	33033A	Rod Assy., Connecting (Inc. No's. 15, 16 & 17)	55	33477A	Elbow, Air Extension
15	32077	Bolt, Connecting Rod	56	65027B	Screw, Fil. Hd. Sems, 5/16" - 18 x 1 - 1/8
16	26073	Washer, Connecting Rod Nut, Lock	57	33478	Link, Governor
17	26264	Nut, Lock	58	31983	Link, Governor Adjusting
18	33170	Camshaft (Mech. Compression Release)	59	31984	Clamp, Governor Lever
19	33472	Liter, Valve (Std.)	60	62531B	Lockwasher No. 10 E.T.
20	33471	Rad. Push	61	39312	Screw, Hex Washer Hd., 10 - 32 x 1/2
21	33565	Valve, Intake (Std.)	62	62564A	Screw, Flat Hd., 10 - 24 x 7/8
21	33565	Valve, Intake (I/O oversize)	63	7976	Nut, Square, 10 - 24
22	33646	Valve, Exhaust (Std.)	64	31985	Plate, Governor Spring
22	33646	Valve, Exhaust (I/O oversize)	65	31984A	Lever Assy., Control
23	33647	Spring, Valve	66	2825B	Washer, Valve
24	33508	Returner & Cap Set, Keeper Valve	67	31987	Bushing, Governor Lever
25	33509	O-Ring	68	650597	Screw, Hex Washer Hd., 10 - 24 x 5/8
26	33510	Clp, Valve	69	31987	Spring, Locking
27	33473	Washer, Flat	70	32599	O-Ring
28	650745	Washer, Flat	71	650506	Washer, Lock
29	30555A	Washer, Flat	72	32579	Screw, Hex Hd. Sems, 1/4 - 20 x 5/8
30	31948	Spool, Governor	75	650507	Screw, Hex Hd. Sems, 1/4 - 20 x 5/8
31	61567	Gasket, Cylinder Cover	76	61567	Key, Flywheel
32	32085	Cover Assy., Cylinder (Inc. No's. 33, 36, 37, 38, 40, 141)	77	610900	Flywheel
33	31950	Soal, Oil	78	650504	Nut, Flywheel
			79	610900	Magneto, Solid State (Inc. No's. 158 thru 160A)

*INDICATES PARTS INCLUDED IN GASKET SET KEY NO. 173)

REPAIR PARTS

ROPER 14 H.P. GARDEN TRACTOR-MODEL NUMBER T4328BR
TECUMSEH 4 CYCLE ENGINE-MODEL NUMBER OH140-160038R

ALL ENGINE PARTS MUST BE PURCHASED THROUGH AND SERVICE PERFORMED BY YOUR LOCAL TECUMSEH DEALER.



REPAIR PARTS

ROPER 14 H.P. GARDEN TRACTOR-MODEL NUMBER T4328BR
TECUMSEH 4 CYCLE ENGINE-MODEL NUMBER OH140-160038R

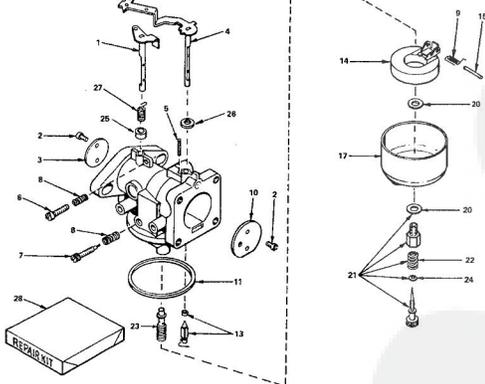
KEY NO.	PART NO.	DESCRIPTION	KEY NO.	PART NO.	DESCRIPTION
80	650661	Screw, Fil. Hd. w/Conical Spring Lock-washer, 1/4" - 20 x 3/4	125	34379	Spacer, Screen
81	33479	Extension, Blower Housing	126	34376	Screen Assy., Blower Housing (Inc. No. 13)
82	36088	Screw, Hex Hd. Sems. 1/4" - 20 x 1/2	127	34377	Seal, Guard
83	650751	Screw, Hex Hd. w/Conical Spring Washer, 1/4" - 20 x 1/16	128	34346	Decal, Name & Instruction
84	33775A	Housing, Blower	128A	34387	Instruction Decal
85	8274	Lockwasher, Split, 5/16"	129	34316	Decal, Name
86	650565	Screw, Hex Hd., 5/16" - 24 x 3/8	130	32564	Decal, Air Cleaner
87	650752	Screw, Hex Hd. Sems., 1/4" - 20 x 7/16	131	610988	Regulator, Rectifier (Inc. No.'s 137 & 137A)
88	33481	"O" Ring	132	610921	Connector
89	33482	Housing, Rocker Arm	133	610990	Connector
90	33487	Yoke Guide Kit (Inc. No. 93)	134	610922	Terminal
91	33415	Ring, Retaining	135	610989	Terminal
92	33464	Washer, Flat	136	610992	Terminal
93	650168	Screw, Flange Hex Hd., 1/4" - 20 x 28/32	137	610991	Terminal
94	33485	Arm, Rocker	138	33468	Oil Filter
95	33486	Ring, Retaining	140	28673	Gasket, Oil Fill Tube
96	650755	Screw, Adjusting	141	31927	Plug, Pipe (2/8" - 18 Ga. Hd.)
97	33487	"O" Ring	142	32958	Fitting, Fuel Pump
98	650756	Nut, Hex	144	32959	Pump, Impulse Fuel
99	33488	Cover, Rocker Arm	144A	33010	Repair Kit, Impulse Fuel Pump
100	31668	Gasket, Breather	145	32960	Camo, Fuel Line
101	33489	Body Assy., Breather	146	32577	Cover, Cylinder (See Note 1)
102	30102	Screw, Hex Washer Hd. Sems. w/Mastic Coating, 1/4" - 20 x 5/8	147	32028	Screw, Hex Hd. Sems. 5/16" - 18 x 7/8
103	33488	Cover, Rocker Arm	147A	650738	Screw, Pan Hd., 10 - 16 x 3/8
104	31668	Gasket, Breather	148	610902	Coil Assy., Alternator (Inc. No.'s 151, 152 & 152A)
105	33489	Body Assy., Breather	149	650521	Screw, Fil. Hd. Sems 10 - 32 x 1 - 1/4"
106	33490	Tube, Breather	150	650781	Screw, Hex Hd. Sems. 5/16" - 18 x 11/16
107	650738	Screw, Hex Washer Hd. Sems. w/Mastic Coating, 1/4" - 20 x 5/8	151	31972	Gasket, Shim (205/007 thick, see note 1)
110	22906	Filter, Pre-Air	152	30031	Spacer, Steel (010 thick, see note 1)
111	33492	Gasket, Air Cleaner	153	610118	Cover, Spark Plug
112	33777	Bracket, Air Cleaner	154	610408	Nut, Hex. 8 - 32
113	33778	Bracket, Air Cleaner	155	610260	Terminal
114	650289	Screw, Fil. Hd. Sems. 10 - 32 x 5/8	156	610903	Connector, Pyramid
115	22906	Filter, Pre-Air	157	610905	Terminal
116	22904	Cover, Air Cleaner	158	810904	Terminal
117	650513	Nut, Hex	159	32962	Line, Fuel
118	33495	Cover, Cylinder Head	160	34367	Line, Fuel
119	27028	Washer, Lock	161	27953	Clip, Corbel
120	650288	Screw, Truss Hd. 1/4" - 28 x 1 - 3/8	170	28842	Screw, Hex Hd. Sems. 10 - 32 x 3/8
121	650909	Screw, Truss Hd. 1/4" - 28 x 1 - 9/16	171	33832	Motor, Starter (12 Volt) (Inc. No. 152)
122	34378	Spacer, Screen	172	632032	Carburetor (Inc. No. 64)
124	34378	Spacer, Screen	173	33816A	Gasket Set (Inc. items marked *)

*Indicates Parts Included in Gasket Set Key No. 173
NOTE: Determine the gap between the cover and the machined surface on the cylinder, which can be from .001" up to .007" in which case no shim gaskets will be required. Use of gaskets must be limited to a combined total of .010" thick. Steel spacers must be used as required to eliminate crankshaft end play.

REPAIR PARTS

ROPER 14 H.P. GARDEN TRACTOR-MODEL NUMBER T4328BR
TECUMSEH 4 CYCLE ENGINE-MODEL NUMBER OH140-160038R

CARBURETOR NO. 632032
ALL ENGINE PARTS MUST BE PURCHASED THROUGH AND SERVICE PERFORMED BY YOUR LOCAL TECUMSEH DEALER.

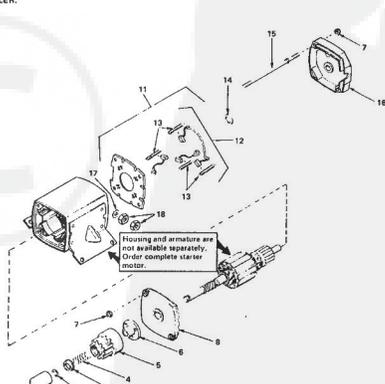


KEY NO.	PART NO.	DESCRIPTION	KEY NO.	PART NO.	DESCRIPTION
1	631681	Shaft & Lever Assy., Throttle (Inc. Key No. 2)	11	27109	*Gasket, Bowl-to-Body
2	30357	Screw, Rd. Hd., 6 - 32 x 3/16 (Early Production)	13	632024	*Valve, Seat & Spring Assy. (Inc. No. 9)
3	650506	Screw, Pan Hd. 4 - 40 x 3/16 (Late Production)	14	27105	Float
4	631682	Shutter, Throttle	15	27106	*Shaft, Float
5	631683	Shaft & Lever Assy., Choke (Inc. Key No. 2)	17	29170	Bowl, Fuel
6	27113	Spring, Choke Stop	20	27110	*Gasket, Bowl-to-Body
7	650289	Screw, Throttle Adjusting	21	631764	*Needle Assy., Power Adjusting (Inc. No. 8, 20, 22, & 24)
8	27112	Spring, Throttle Adjusting	22	630788	Needle, Main
9	27114	Spring, Adjusting	24	27644	"O" Ring
10	632017	Spring, Float Shaft	25	632028	Seal, Throttle Shaft Dust
			26	632040	Seal, Choke Shaft Dust
			27	32096	Spring, Throttle Return
			28	632033	Repair Kit (Inc. items marked *)

REPAIR PARTS

ROPER 14 H.P. GARDEN TRACTOR-MODEL NUMBER T4328BR
TECUMSEH 4 CYCLE ENGINE-MODEL NUMBER OH140-160038R

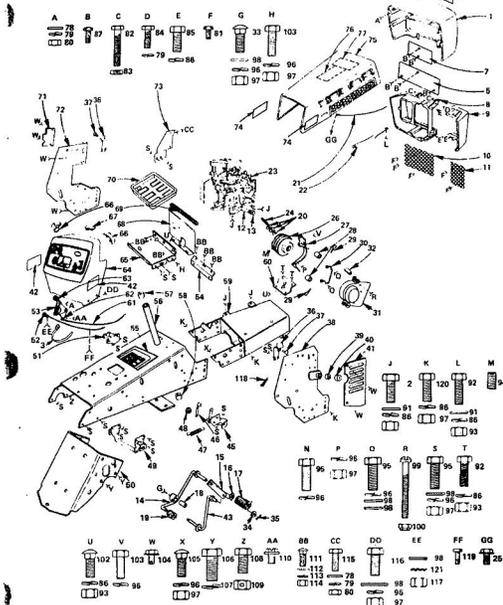
STARTER MOTOR NO. 33835
ALL ENGINE PARTS MUST BE PURCHASED THROUGH AND SERVICE PERFORMED BY YOUR LOCAL TECUMSEH DEALER.



KEY NO.	PART NO.	DESCRIPTION	KEY NO.	PART NO.	DESCRIPTION
1	33841	Cover, Dust	12	33849	Brush & Spring Kit (Inc. 4 pos. of No. 13)
2	33842	Ring, Retainer	13	33850	Spring, Brush
3	33843	Retainer, Spring	14	500650	Washer, Thrust
4	33844	Screw, Anti-Dirt	15	33511	Bolt, 10 - 32 x 1/4
5	33845	Cap, Engaging	16	33852	Cap Assy., Commutator end
6	33433	Nut, Engaging	17	650168	Washer, 1/4"
7	33450	Nut, Lock	18	650723	Nut, Hex
8	33845	Cap Assy., Drive End			
11	33848	Carb Assy., Brush (Inc. No. 12)			

REPAIR PARTS

ROPER 16T GARDEN TRACTOR-MODEL NO. T6328AR
MAIN FRAME, DASH AND GRILL



REPAIR PARTS

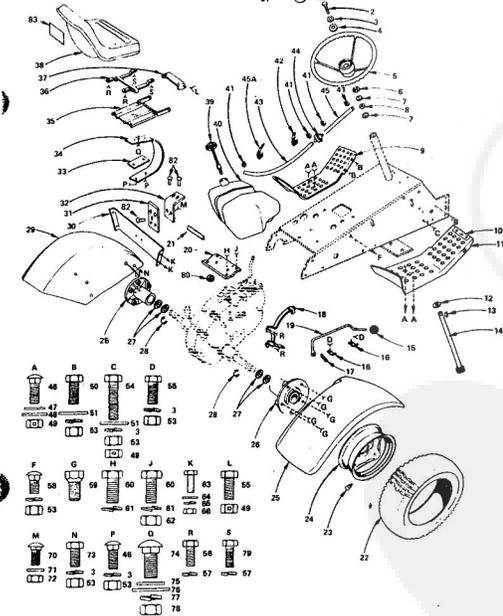
ROPER 16T GARDEN TRACTOR-MODEL NO. T6328AR
MAIN FRAME, DASH AND GRILL

KEY NO.	PART NO.	DESCRIPTION	KEY NO.	PART NO.	DESCRIPTION
1	811J	Grill - Upper	66	107J	Battery Heat Shield
2	3012P	Hex Bolt 5/16 - 18 x 1 - 1/4	69	784R	Battery Tray
3	6106R	Trim - Wire	70	806AR	Battery - 17V
4	246J	Decal - Grill	71	88J	Cover - L.H.
5	231J	Grill Panel - Upper	72	113J	Bracket - Battery Support - L.H.
6	290J	Grill Panel - Lower	73	1181J	Bracket - Receiver
7	8052J	Grill - Lower	74	246J	Decal - Report Logo
8	7938R	Grill Side	75	634AR7	Mood Assy
9	8244R	Grill Screen - L.H.	76	8028R	Decal - Instruction
10	2672R	Grill Screen - R.H.	77	292J	Decal - Wiring
11	4016P	Pipe Washer 3/8 - 18 N.P.T. x 4 - 1/2	78	1066P	Washer 9/32 x 3/8 x 1/8 Gs.
12	4016P	Pipe Cap 3/8 - 18 N.P.T.	79	1032P	Lockwasher 1/4
13	634A901	Flare Weldment	80	502P	Hex Nut 1/4 - 20 UNC
14	634A901	Flare Weldment	81	5501P	Phillips Pan Hd. Tnc. Self Tap 1/4 - 24 x 3/8 Tps
15	92J	Push-On Nut	82	2267P	*Hex Bolt 1/4 - 20 x 1 - 1/2 Grade 5
16	92J	Push-On Nut	83	1056H	Lockwasher 1/4 - 20 UNC
17	92J	Push-On Nut	84	3003P	*Hex Bolt 1/4 - 20 x 3/4
18	91J	Pin - Head	85	3011P	*Hex Bolt 5/16 - 18 x 3/4
19	91J	Pin - Head	86	1002P	Lockwasher 5/16
20	1006P	Washer 1 - 1/16 x 2 x .140	87	5554P	Phillips Pan Hd. Tnc. Self Tap 10 - 10 Hex-Lo Tnd x 1/2 Blue Point Washer 11/32 x 1 1/8 x 18 Gs.
21	8058R	Grill Cable	88	502P	*Hex Nut 1/4 - 20 UNC
22	101J	Grill Brace	89	1537P	*Hex Bolt 3/8 - 16 x 1
23	43141T	Spring, Saddle and Strutton 18 H.P.	90	2011P	Washer 11/32 x 1 1/8 x 18 Gs.
24	8986E	Sp. Key 1/4 x 2	91	4540P	Hex Flanged Socket Adhes. Set Screw 5/16 - 18 x 1 1/8
25	1584P	Hex Washer Hd. Tnd. Cutting Screw 1/4 - 20 x 3/4 Type T	92	1002P	Lockwasher 5/16
26	634A104	Engine Mount, Inc. 2 s.s. Key No. 94)	93	502P	*Hex Nut 1/4 - 20 UNC
27	634A752	Retainer Spring	94	1002P	Lockwasher 5/16
28	4830M	Retainer Spring	95	1002P	Lockwasher 5/16
29	634A505	Self Seal	96	502P	*Hex Nut 1/4 - 20 UNC
30	634A505	Self Seal	97	502P	*Hex Nut 1/4 - 20 UNC
31	634A505	Self Seal	98	1513P	Washer 10/32 x 1 3/16 x 18 Gs.
32	56P	Sp. Neck Carriage Bolt 3/8 - 16 x 2 - 1/4	99	3194P	Sp. Hd. Machine Screw 1/4 - 20 x 2
33	56P	Sp. Neck Carriage Bolt 3/8 - 16 x 2 - 1/4	100	847H	Phillips No. 114 - 20 UNC
34	634A500	Head Lock	101	8P	Carriage Bolt 5/16 - 18 x 3/4
35	2566P	Support Bumper	102	8P	Carriage Bolt 5/16 - 18 x 3/4
36	634A500	Head Lock	103	1002P	Lockwasher 5/16
37	8427R	Support Bumper	104	8567P	Hex Washer Hd. Tnd. Cutting Screw 1/4 - 20 x 1/2 Type T
38	634A500	Head Lock	105	61P	Sp. Neck Carriage Bolt - Short Shoulder 3/8 - 16 x 1 Gr.
39	7766R	Bearing	106	3038P	*Hex Bolt 3/8 - 16 x 1 - 1/4
40	7766R	Bearing	107	1002P	Lockwasher 5/16
41	7722R	Cover - R.H.	108	3021P	Washer 3/8 - 18 UNC
42	634A502	Head Lock - Side of Dash	109	5384P	Lockwasher 5/16
43	634A502	Head Lock - Side of Dash	110	6055P	Sp. Hd. Machine Screw w/Serifs 1/4 - 20 x 2
44	634A502	Head Lock - Side of Dash	111	53P	Locknut 3/8 - 16 UNC
45	7844E	Trim - Front	112	1002P	Lockwasher 5/16
46	7844E	Trim - Front	113	1002P	Lockwasher 5/16
47	7844E	Trim - Front	114	3114P	*Hex Bolt 1/4 - 20 x 1/2
48	7810H	Locknut 3/8 - 24 UNF	115	3114P	*Hex Bolt 1/4 - 20 x 1/2
49	634A505	Self Seal	116	3114P	*Hex Bolt 1/4 - 20 x 1/2
50	634A505	Self Seal	117	816P	*Hex Nut 3/8 - 16 x 1 - 1/2
51	71611	Choke Control	118	816P	*Hex Nut 3/8 - 16 x 1 - 1/2
52	71611	Choke Control	119	6592P	*Socket Pan Hd. Self Tap Screw 1/4 - 20 x 3/4 Tps AB
53	97J	Adapter Bar	120	3137P	*Hex Bolt 3/8 - 18 x 1 - 1/4 Gr. 5
54	9634R	Decal - Shift Return	121	1402P	Ext. Tooth Lockwasher - 3/8
55	634A508	Chassis Assy. (Inc. Key 57 & 58)	122	121	
56	4766H	Bearing			
57	634A508	Chassis Assy. (Inc. Key 57 & 58)			
58	96J	Grill Spacer			
59	851J	Throttle Wire & Covering			
60	8254R	Clamp			
61	105J	Throttle Control Knob			
62	634A509	Dashboard (Inc. Key No's. 86 and 87)			
63	105J	Throttle Control Knob			
64	634A509	Dashboard (Inc. Key No's. 86 and 87)			
65	1998R	Clip - Dashboard			
66	105J	Throttle Control Knob			
67	8871R	Clip - Dashboard, Center			

*STANDARD HARDWARE - PURCHASE LOCALLY

REPAIR PARTS

ROPER 16T GARDEN TRACTOR-MODEL NO. T6328AR
STEERING AND FINAL DRIVE



REPAIR PARTS

ROPER 16T GARDEN TRACTOR-MODEL NO. T6328AR
STEERING AND FINAL DRIVE

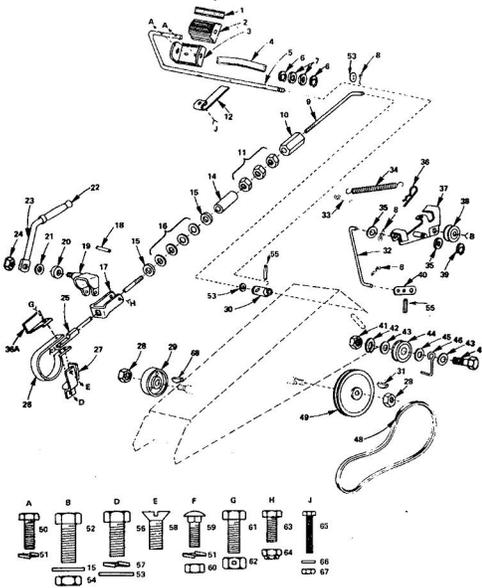
KEY NO.	PART NO.	DESCRIPTION	KEY NO.	PART NO.	DESCRIPTION
1	9718R	Steering Wheel Insert	46	61P	Sp. Nk. Shd. Carr. Bolt 3/8 - 16 x 1 Gr. 5
2	3023P	*Hex Bolt 3/8 - 16 x 1	47	1513P	Washer 11/32 x 1 3/16 x 18 Gs.
3	1004P	Lockwasher 3/8	48	1519P	Washer 15/32 x 1 x 1 1/2 Gs.
4	1552P	Washer 7/16 x 1 x 10 Gs.	49	6294H	Locknut 3/8 UNC
5	3044E	Steering Wheel	50	3025P	*Hex Bolt 3/8 - 16 x 1 - 1/4
6	5003P	E-Ring	51	1553P	Washer 13/32 x 3/16 x 1 1/8 Gs.
7	9007H	Cap	52	501P	*Hex Nut 3/8 - 16 UNC
8	5949H	Rubber Bushing	53	3027P	*Hex Bolt 3/8 - 16 x 1 - 1/2
9	7903R	Floor Rest - L.H.	54	3027P	*Hex Bolt 3/8 - 16 x 1 - 1/2
10	8009R	Decal (Attach. Clutch)	55	3027P	*Hex Bolt 3/8 - 16 x 1 - 1/2
11	7903R	Floor Rest - R.H.	56	3010P	*Hex Bolt 5/16 - 18 x 3/4
12	1653P	Washer 5/16 x 1 - 1/4 x 16 Gs.	57	1002P	Lockwasher 5/16
13	9859M	Woodruff Key 3/16 x 5/8	58	18P	Sp. Neck Carriage Bolt 3/8 - 16 x 3/4
14	634A216	Shift Rod Bracket	59	1304H	Hub Bolt
15	7907H	Control Knob	60	3044P	*Hex Bolt 7/16 - 14 x 1
16	6442H	Shift Rod Bracket	61	1001P	Lockwasher 7/16
17	2511P	*Cotter Pin 3/16 x 1	62	600P	*Hex Nut 7/16 - 14 UNC
18	634A22A	Shift Rod Bracket	63	3003P	*Hex Bolt 1/4 - 20 x 3/4
19	6477H	Range Shift Rod	64	1506P	Washer 8/32 x 8/8 x 16 Gs.
20	9654R	Transmission Bracket	65	1002P	Lockwasher 1/4
21	8874R	Seat Stop	66	1002P	Lockwasher 1/4
22	3858R	Rear Tire 23 x 8.5D - 12	67	60P	*Hex Nut 1/4 - 20 UNC
23	7907H	Tire Valve	68	60P	*Hex Nut 1/4 - 20 UNC
24	3858R	Rear Wheel 12 x 7 J A	69	70	
25	8428R	Fender - R.H.	70	1537P	*Hex Bolt 3/8 - 16 x 1 - 1/2
26	634A692	Rear Wheel Hub and Bushing	71	1885H	Lock Nut 5/16 - 18 UNC
27	7503E	Axle Thrust Washer	72	3021P	Washer 11/32 x 1 1/8 x 18 Gs.
28	8845R	Retaining Ring	73	52P	Carriage Bolt 1/2 - 13 x 1 - 1/4 Gr. 5
29	9417E	Fender - L.H.	74	1578P	Washer 2/4 x 1 - 1/8 x 11 Gs.
30	2658R	Bracket - Tail Light	75	1660P	Washer 17/32 x 1 - 1/2 x 11 Gs.
31	125J	Seat Stop Retainer	76	502P	*Hex Nut 1/2 - 13 UNC
32	125J	Seat Stop Retainer	77	1000P	Lockwasher 1/2
33	8141H	Self Spring Reinforcement	78	235J	Steering Wheel Decal
34	7908R	Seat Spring	79	3188P	Rubber Grommet
35	634A710	Self Flange Weldment	80	9647R	Decal
36	7907H	Bracket, Seat Pivot	81	235J	Steering Wheel Decal
37	9744E	Seat	82	124J	Warranty Fast Tag
38	7886R	Fuel Gauge	83	245J	Owners Manual
39	7886R	Fuel Gauge	84	245J	Owners Manual
40	7886R	Fuel Gauge	85	245J	Owners Manual
41	8999R	Fuel Line Clamp	86	245J	Owners Manual
42	2751R	Clip - Fuel Line	87	245J	Owners Manual
43	8373R	Fuel Line (Long)	88	245J	Owners Manual
44	205J	In-Line Filter	89	245J	Owners Manual
45	135J	Fuel Line	90	245J	Owners Manual
46	9297H	Clip - Fuel Line	91	245J	Owners Manual

*STANDARD HARDWARE - PURCHASE LOCALLY

REPAIR PARTS

ROPER 16T GARDEN TRACTOR-MODEL NO. T6328AR

BRAKE AND CLUTCH



REPAIR PARTS

ROPER 16T GARDEN TRACTOR-MODEL NO. T6328AR

BRAKE AND CLUTCH

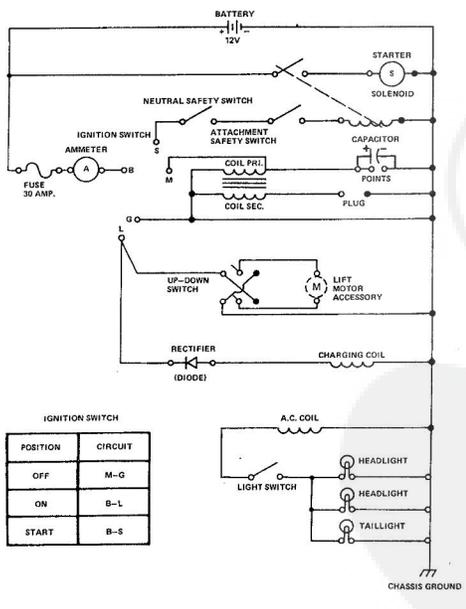
KEY NO.	PART NO.	DESCRIPTION	KEY NO.	PART NO.	DESCRIPTION
1	8899R	Insert Clutch-Brake	37	634A754	Inter-Bracket Weldment
2	882FR	Foot Pedal	38	8636H	Liner
3	8165H	Foot Pedal Bracket	39	5002P	E-Ring
4	9008H	Spring	40	634A888	Support Arm Assembly
5	1113	Pin	41	500P	*Hex Nut 7/16 - 14 UNC
6	5005P	E-Ring	42	1001P	*Lockwasher 7/16
7	1527P	Washer 21/32 x 7/8 x 16 Ga.	43	1544P	Washer 15/32 x 15/16 x 16 Ga.
8	2005P	Contra Pin 1/8 x 3/4	44	6036H	Flat Washer
9	2002R	Brake Rod - Front	45	1520P	Washer 4/8 I.D. x 1 - 1/8 x 11 Ga.
10	8617H	Handlock	46	6479H1	Ball Finger
11	501P	*Hex Nut 3/8 - 16 UNC	47	3262P	Hex Bolt 7/16 - 14 x 2 - 1/2
12	7823R	Safety Switch Actuator	48	2082R	Valve
14	2201R	Washer 13/32 x 13/16 x 11 Ga.	49	6461H2	Pulley, Transmission
15	1581P	Washer 13/32 x 13/16 x 11 Ga.	50	3002P	*Hex Bolt 1/4 - 20 x 3/4
16	2263R	Spring Washer	51	1002P	Lockwasher 1/4
17	9686R	Parking Brake Yoke	52	3052P	*Fin. Hex Bolt 3/8 - 24 x 1
18	1254	Rod Pin	53	1513P	Washer 13/32 x 13/16 x 16 Ga.
19	634A887	Lock Bracket Assembly	54	548P	*Hex Jam Nut 3/8 - 24 UNF
20	2221R	Spacer	55	5142H	Roll Pin
21	5099H	Spring Washer	58	3022P	Hex Bolt 3/8 - 16 x 7/8
22	4379H	Handlock Crisp	57	1004P	Lockwasher 3/8
23	626A341	Parking Lock Handle Assembly	58	3164P	Flat Hd. Machine Screw - Undercut 3/8 - 16 x 3/4
24	7810H	Spring Castorlock Nut 3/8 - 24 UNF	59	111P	St. Neck Carriage Bolt 1/4 - 20 x 5/8
25	626A365	Brake Rod Assembly	60	500P	*Hex Nut 1/4 - 20 UNC
26	634A167	Brake Rod and Lining	61	3158P	*Hex Bolt 5/16 - 18 x 7/8
27	634A158	Brake Bracket Assembly	62	1889H	Locknut 5/16 - 18 UNC
28	5204H	Lock Nut 1/2 - 20 UNF	63	5246P	Hex Bolt 1/4 - 20 x 5/8 G. 5
29	7868H1	Brake Arm Assembly	64	5071H	Hex Hd. Mach. Screw 5 - 22 x 1
30	634A899	Brake Arm Assembly	65	3238P	Washer 5/32 x 3/8 x 20 Ga.
31	8688H1	Woodruff Key	66	1567P	Washer 5/32 x 3/8 x 20 Ga.
32	9288R	Clutch Rod	67	5026P	Centerlock Nut 6 - 32 UNC
33	2514P	*Cutler Pin 1/4 x 1	68	1728M	Woodruff Key
34	6488H	Spring			
35	1587P	*Washer 11/32 x 1 - 11/16 x 21 Ga.			
36	4936M	Resistor Spring			
36A	544J	Hose Shield			

*STANDARD HARDWARE-PURCHASE LOCALLY

REPAIR PARTS

16T GARDEN TRACTOR-MODEL NO. T6328AR

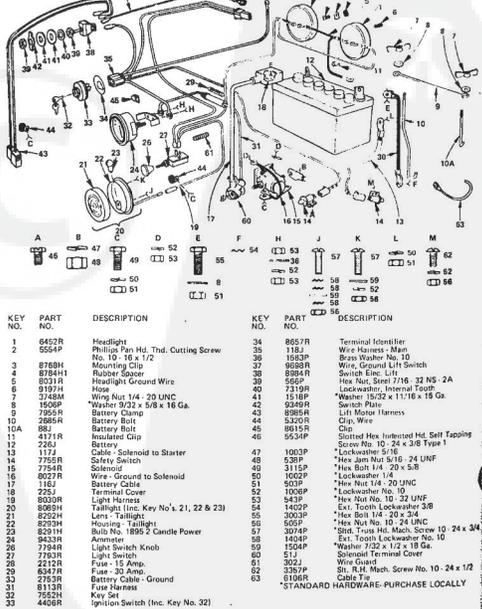
ELECTRICAL



REPAIR PARTS

ROPER 16T GARDEN TRACTOR-MODEL NO. T6328AR

ELECTRICAL



KEY NO.	PART NO.	DESCRIPTION	KEY NO.	PART NO.	DESCRIPTION
1	6452R	Headlight	34	8657R	Terminal Identifier
2	5554P	Phillips Pan Hd. Thd. Cutting Screw No. 10 - 18 x 1/2	35	118J	Wire Harness - Main
3	8748H	Mounting Clip	36	1883P	Wire, Ground Lift Switch
4	8764H1	Rubber Spacer	37	8688R	Switch Line - Lift
5	8031R	Headlight Ground Wire	38	8864R	Hex Nut Steel 7/16 - 32 NO - 2A
6	9127H	Hose	39	556P	Lockwasher, Integral Tooth
7	3748M	Wing Nut 1/4 - 20 UNF	40	7119P	*Washer 15/32 x 11/16 x 15 Ga
8	1506P	*Washer 9/32 x 9/8 x 16 Ga.	41	1518P	Switch Plate
9	7952R	Battery Clamp	42	6566R	Lift Motor Terminals
10	2865H	Battery Bolt	43	8986R	Clip, Wire
10A	881	Battery Bolt	44	8615R	Clip
11	4117R	Battery	45	6524P	Slotted Hex Insulated Hd. Self Tapping Screw No. 10 - 24 x 3/8 Type 1
12	226J	Battery	46	1003P	*Lockwasher 5/16
13	117J	Cable, Solenoid to Starter	47	538P	*Hex Nut 5/16 - 24 UNF
14	7955R	Safety Switch	48	3115P	*Hex Bolt 1/4 - 20 x 5/8
15	7754R	Solenoid	49	1002P	Lockwasher 1/4
16	8027R	Wire - Ground to Solenoid	50	500P	*Hex Nut 1/4 - 20 UNC
17	18J	Battery Cable	51	500P	*Lockwasher No. 10
18	225J	Terminal Cover	52	1006P	*Lockwasher No. 10
19	8028R	Light Harness	53	3002P	*Hex Nut 1/4 - 20 x 3/4
20	8069H	Taillight (Inc. Key No's 21, 22 & 23)	54	1402P	Ext. Tooth Lockwasher 3/8
21	8252H	Light - Taillight	55	3022P	*Hex Nut 1/4 - 20 x 3/4
22	8253H	Housing - Taillight	56	502P	*Hex Nut 1/4 - 20 x 3/4
23	8251H	Bulb No. 18W x Candle Power	57	1004P	Ext. Tooth Lockwasher No. 10
24	9423R	Ammeter	58	1504P	*Washer 7/32 x 1/2 x 18 Ga.
25	7784H	Light Switch Knob	59	1008P	Control Terminal Cover
26	7782R	Light Switch	60	302J	Wire Guard
27	8547R	Fuse - 30 Amp.	61	302P	Cl. W. Mach. Screw No. 10 - 24 x 1/2
28	2212R	Battery Cable - Ground	62	302P	Cl. W. Mach. Screw No. 10 - 24 x 1/2
29	8113R	Fuse Harness	63	6106R	Cl. W. Mach. Screw No. 10 - 24 x 1/2
30	7524H	Key 24			
31	8113R	Fuse Harness			
32	7524H	Key 24			
33	4406R	Ignition Switch (Inc. Key No. 32)			

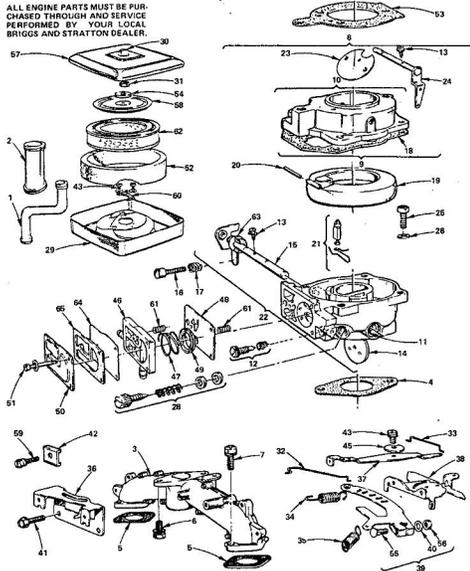
*STANDARD HARDWARE-PURCHASE LOCALLY

REPAIR PARTS

16T GARDEN TRACTOR-MODEL NO. T6328AR
BRIGGS AND STRATTON ENGINE-MODEL NO. 401417, TYPE NO. 0127-01

AIR CLEANER-CARBURETOR GROUP

ALL ENGINE PARTS MUST BE PUR-
CHASED THROUGH AND SERVICE
PERFORMED BY YOUR LOCAL
BRIGGS AND STRATTON DEALER.



REPAIR PARTS

16T GARDEN TRACTOR-MODEL NO. T6328AR
BRIGGS AND STRATTON ENGINE-MODEL NO. 401417, TYPE NO. 0127-01

AIR CLEANER-CARBURETOR GROUP

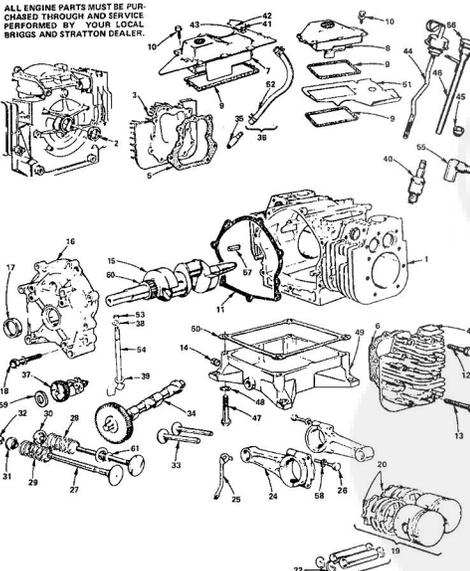
KEY NO.	PART NO.	DESCRIPTION	KEY NO.	PART NO.	DESCRIPTION
1	280165	Tube - Breather	32	261444	Link - Governor
2	280198	Tube - Intake	33	261460	Link - Speed Control
3	302070	Manifold Asy. - Intake	34	261465	Spring - Governor
4	271815	*Gasket - Carb. Mtg.	35	261487	Spring - Governed Mfg.
5	270854	*Gasket - Intake Manifold Mtg.	36	222007	Bracket - Speed Control
6	63415	Screw - Carb. Mtg. Sem	37	222828	Leve. - Speed Control
7	92206	Screw - Intake Manifold Mtg. Sem	38	392033	Plate Asy. - Governor Control
8	362806	Carburetor Asy. V.	39	392943	Lever Asy. - Governor
9	362807	Body Asy. - Upper Carb.	40	222893	Washer
10	362823	Body - Upper Carb.	41	63868	Screw - Sem
11	23108	Bushing - Throttle Shaft	42	221535	Clamp - Casing
12	392961	*Valve Asy. - Carb. Idle	43	63869	Screw - Sem
13	93469	Screw - Throttle and Choke Valve Mtg. Sem	45	231172	Bushing - Speed Control
14	222433	Valve - Throttle	46	280197	Body - Pump
15	362872	Shaft and Lever - Throttle	47	261395	*Spring - Pump
16	91920	Screw - Mech. Fil. Hd. 8 - 32 x 5/8	48	222619	Cover - Diaphragm
17	26197	Spring - Throttle Adj.	49	221377	*Cap - Spring
18	271008	*Gasket - Carburetor Body	50	220985	Screw - Diaphragm Cover
19	298514	Floet - Carburetor	51	63829	Screw - Diaphragm Cover
20	230990	*Pin - Floet Hinge	52	270998	Element - Air Cleaner
21	299098	*Valve - Fuel Inlet	54	271014	Gasket - Air Cleaner
22	92286	*Pin - Floet Hinge	55	63853	Body - Governor Lever
23	222010	Valve - Choke	56	92278	Nut - Hex 10 - 24
24	922873	Screw - Machine, Fil. Hd. 10/32 x 5/8	57	222763	Cover - Air Cleaner
25	90764	Screw - Machine, Fil. Hd. 10/32 x 5/8	58	222835	Cartridge Plate - Air Cleaner
26	92290	Washer - Lock 10 x 1/16 x 3/64	59	92296	Screw - Sem
28	392125	Jet - Main	60	392943	Mounting Strap Asy. - Air Cleaner
29	62272	Body - Air Cleaner	61	261358	*Spring
30	212297	Knob - Air Cleaner	62	392942	Cartridge - Air Cleaner
31	53715	Nut - Hex	63	271013	*Washer - Choke Shaft
			64	270986	*Diaphragm - Deming
			65	271025	*Gasket - Carb. Pump
			66	392728	Gasket Set (Includes Parts Marked *)
			67	363301	Carburetor Overhaul Kit (Includes Parts Marked *)

REPAIR PARTS

16T GARDEN TRACTOR-MODEL NO. T6328AR
BRIGGS AND STRATTON ENGINE-MODEL NO. 401417, TYPE NO. 0127-01

CYLINDER, CRANKSHAFT AND ENGINE BASE GROUP

ALL ENGINE PARTS MUST BE PUR-
CHASED THROUGH AND SERVICE
PERFORMED BY YOUR LOCAL
BRIGGS AND STRATTON DEALER.



REPAIR PARTS

16T GARDEN TRACTOR-MODEL NO. T6328AR
BRIGGS AND STRATTON ENGINE-MODEL NO. 401417, TYPE NO. 0127-01

CYLINDER, CRANKSHAFT AND ENGINE BASE GROUP

KEY NO.	PART NO.	DESCRIPTION	KEY NO.	PART NO.	DESCRIPTION
1	362274	Cylinder Assembly	28	92909	Screw - Connecting Rod
2	391096	Seal - Oil	27	390420	Valve - Exhaust
3	21219	Head - Cylinder No. 1	29	65906	Spring - Intake Valve
4	212180	Head - Cylinder No. 2	28	26828	Spring - Exhaust Valve
6	270986	*Gasket - Cylinder Head No. 1	30	221596	Retainer - Intake Valve
8	270983	*Gasket - Cylinder Head No. 2	31	262700	Retainer - Exhaust
7	363243	Breather Assembly No. 1	32	93630	Retainer - Exhaust Valve Retocol
9	363153	Breather Assembly No. 2	33	261368	Tappet - Valve
9	27853	*Gasket - Valve Cover	34	212173	Gear - Cam
10	65295	Screw - Sem	35	67216	Elbow - Connector
11	270982	*Gasket - Crankcase Cover 1/64" Thick	36	392244	Pipe - Fuel
11	271145	*Gasket - Crankcase Cover 000" Thick	37	392773	Gear - Governor
11	271146	*Gasket - Crankcase Cover 000" Thick	38	220663	Washer - Gov. Crank (outside)
13	92111	Jet - Main Assembly	39	93857	Washer - Gov. Crank (inside)
13	62110	Screw - Cylinder Head (2 - 5/16" Long)	40	392585	Plug - Seal (Resistor)
14	91084	Plug - Oil Drain	41	90576	Nut - Hex 8 - 32
15	362308	Crankshaft	42	231174	Terminal
16	362372	Cover Assembly - Crankcase	43	280180	Grommet - Insulator
17	261675	Seal - Oil	44	392781	Cap and Dipstick - Oil Filter
18	93847	Screw - Crankcase Cover Mtg. Sem	45	68828	Seal - Filter Tube
19	362371	Piston Assembly - Standard	46	392782	Tube - Oil Filter
19	363343	Piston Assembly - .010" O.S.	47	93783	Screw - Hex Hd.
19	363364	Piston Assembly - .020" O.S.	48	92206	Washer
19	363345	Piston Assembly - .030" O.S.	49	393412	Base - Engine
20	363277	Ring Set - Piston - Standard	50	270981	*Gasket - Engine Base
20	363300	Ring Set - Piston - .010" O.S.	51	222700	Ball - Air
20	363341	Ring Set - Piston - .020" O.S.	52	93953	Clamp - Fuel Pipe
20	363342	Ring Set - Piston - .030" O.S.	53	93851	Retainer - E-Ring
22	269924	Lock - Piston Pin	54	393309	Crank - Governor
23	220961	Pin Assembly - Piston - Standard	55	69536	Elbow - Spark Plug
23	361296	Pin Assembly - Piston - .005" O.S.	56	270933	Seal - Oil Filter Cap
24	362370	Rod Assembly - Connecting	57	61160	Key - Flywheel
25	222480	Dipper - Connecting Rod	58	220863	Washer
			59	222772	Washer - Thrust
			60	261363	Gear - Timing
			61	392279	Seal Asy. and Retainer

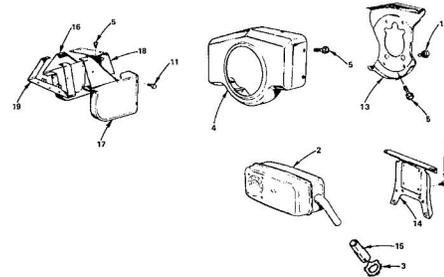
*Inc. in Gasket Set - 392778

REPAIR PARTS

16T GARDEN TRACTOR—MODEL NO. T6328AR
BRIGGS AND STRATTON ENGINE—MODEL NO. 401417, TYPE NO. 0127-01

MUFFLER, AIR GUIDE AND HOUSING GROUP

ALL ENGINE PARTS MUST BE PURCHASED THROUGH AND SERVICE PERFORMED BY YOUR LOCAL BRIGGS AND STRATTON DEALER.



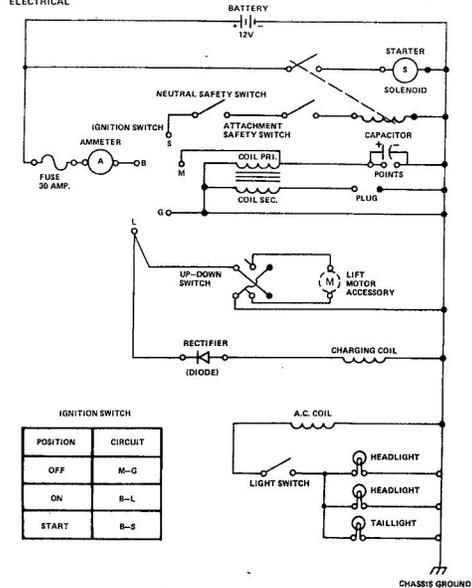
KEY NO.	PART NO.	DESCRIPTION	KEY NO.	PART NO.	DESCRIPTION
1	93843	Screw - Semi	13	382934	Back Plate Air/V
2	362999	Muffler - Exhaust	14	222779	Bracket - Muffler
3	91242	Locknut - Muffler	15	221462	Connector - Muffler
4	382681	Housing - Blower	16	382891	Cover Assy. - Air
5	93195	Screw - Semi	17	382892	Cover Assy. - Air
11	93876	Screw - Semi	18	382925	Rear Inset Assy.
12	93777	Screw - Hex Hd. (Back Plate to Cylinder)	19	222775	Frame - Air Guide

OPTIONAL EQUIPMENT
382154 Spark Arrester Assembly
222673 Deflector (Side Outlet)
93705 Screw (4 Required)

REPAIR PARTS

16T GARDEN TRACTOR—MODEL NO. T6328BR

ELECTRICAL



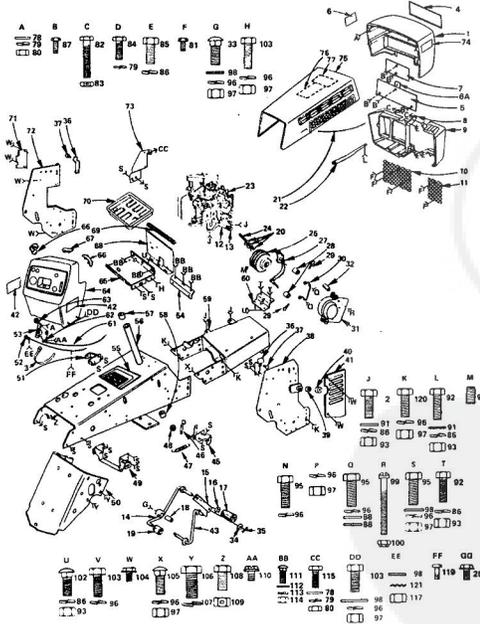
WIRING CLIPS AND CABLE TIES

If Clips or Ties were removed for servicing of unit, they should be replaced to properly secure your wiring.

REPAIR PARTS

ROPER 16T GARDEN TRACTOR—MODEL NO. T6328BR

MAIN FRAME, DASH AND GRILL



REPAIR PARTS

ROPER 16T GARDEN TRACTOR—MODEL NO. T6328BR

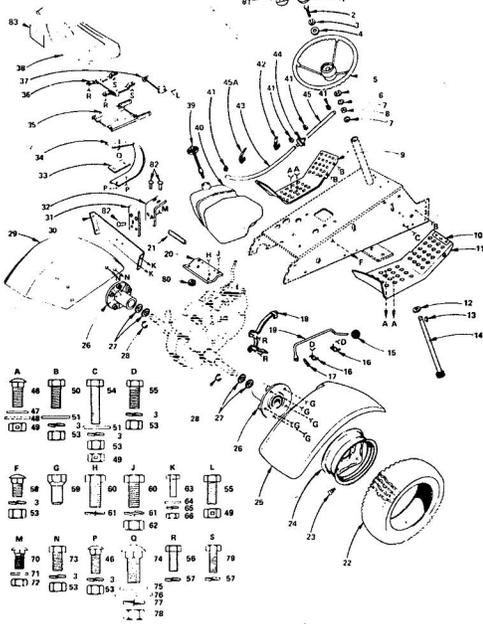
MAIN FRAME, DASH AND GRILL

KEY NO.	PART NO.	DESCRIPTION	KEY NO.	PART NO.	DESCRIPTION
1	9111	Grill - Upper	68	1071	Battery Heat Shield
2	302329	Tie - Wire	69	7874R	Hood Seal
3	0106R	Grill - Lower	70	8855R	Battery Tray
4	2451	Grill - Grill	71	381	Cover - L.H.
5	291J	Grill Panel - Lower	72	113J	Bracket - Battery Support - L.H.
6	1650A	Grill - Grill	73	1181J	Bracket - Receiver
6A	8768H	Mounting Clip	74	1591J	Decal
7	286J	Grill Panel - Upper	75	634A027	Hood Assy.
8	888J	Grill - Lower	76	8025R	Decal - Instruction
9	7858R	Grill - Grill	77	291J	Decal - Wiring
10	2874R	Grill - Grill	78	1006P	*Washer 9/32 x 5/8 x 16 Ga.
11	2878R	Grill - Grill	79	1002P	*Lockwasher 1/8"
12	4016P	Pipe Nipple 3/8 - 18 N.P.T. x 4 - 1/2"	80	503P	*Hex Nut 1/4 - 20 UNC
13	4016P	Pipe Cap 3/8 - 18 N.P.T.	81	5001P	*Phillips Pan Hd. Tnd. Self Tap 10 - 24 x 3/8 Type T
14	634A011	Link	82	3267P	*Hex Nut 1/4 - 20 x 1 - 1/2 Grade 5
15	981	Lock	83	1805H	*Locknut 1/4 - 20 UNC
16	92J	Push-On Nut	84	3003P	*Hex Bolt 1/4 - 20 x 3/4
17	93J	Rubber Pad	85	3010P	*Hex Bolt 5/16 - 18 x 3/4
18	91J	Pinot Spacer	86	1002P	*Lockwasher 5/16"
19	285J	Foot Pad	87	5554P	*Phillips Pan Hd. Tnd. Self Tap 10 - 16 Hi-Low Thrd x 1/2 Blank Point
20	1696P	Washer 1 - 1/16 x 2 x .140	88	1867P	*Washer 13/32 x 13/16 x 1 1/4 Ga.
21	8668R	Grill Bracket	89	1637P	*Washer 1/25 x 11/16 x 16 Ga.
22	1011J	Grill Bracket	90	3011P	*Hex Bolt 5/16 - 18 x 1"
23	401417	Engine, Briggs and Stratton 16 H.P.	91	894P	*Hex Nut 5/16 - 18 UNC
24	8396E	St. Key 1/4 x 2	92	3011P	*Hex Bolt 5/16 - 18 x 1"
25	6844F	New Washer Hd. Tnd. Cutting Screw 1/4 - 20 x 3/4 Type T	93	894P	*Hex Nut 5/16 - 18 UNC
26	634A044	Engine Pulley (Inc. 2 ea. Key No. 94)	94	4546P	*Hex Forged Socket Helless Set Screw CP 5/16 - 18 - 1/2 - Nylok
27	634A732	Ball Guide Weldment	95	3023P	*Hex Bolt 3/8 - 16 x 1"
28	6764H1	Spacer	96	1004P	*Lockwasher 3/8"
29	4929A	Retainer Spring	97	601P	*Hex Nut 3/8 - 18 UNC
30	9611H	Ball Retainer	98	1537P	*Washer 13/32 x 13/16 x 1 1/4 Ga.
31	634A050	Ball Cover Weldment	99	3154P	St. Fl. Hd. Machine Screw 1/4 - 20 x 2 1/4"
32	8228H	Split Spacer	100	347H	*Hillock Nut 1/4 - 20 UNC
33	1646P	St. Neck Carriage Bolt 3/8 - 16 x 2 - 1/4"	101	87	*Carriage Bolt 5/16 - 18 x 3/4"
34	3546P	Washer 17/32 x 1 x 16 Ga.	102	3025P	*Hex Bolt 3/8 - 16 x 1 - 1/4"
35	634A000	Cutter Pin 1/8 x 1"	103	5557P	*Hex Washer Hd. Tnd. Cutting Screw 1/4 - 20 x 1/2 Type T
36	8457R	Hood Latch	104	5557P	*Hex Neck Carriage Bolt - Short Shoulder 3/8 - 16 x 1 1/2 Ga.
37	634A003	Battery Support Bracket (Inc. Key 39)	105	61P	*Hex Bolt 7/16 - 14 x 1 - 1/4"
38	7756R	Bearing	106	3026P	*Lockwasher 7/16"
39	8068R	Cap	107	1001P	*Hex Bolt 3/8 - 16 x 3/4"
40	2729R	Cover - R.H.	108	3211P	*Locknut 3/8 - 18 UNC
41	286J	Grill Panel - Side of Dash	109	5284H	Int. Tooth Lockwasher 10 - 32 x 1/4 St. Neck Carriage Bolt 10 - 24 x 1/2
42	634A002	Lower Weldment	110	6055P	*Washer 7/32 x 7/16 x 18 Ga.
43	7944R	Ball Lockwasher R.H. - Front	111	53P	*Lockwasher 10
44	7944R	Ball Lockwasher L.H. - Front	112	1535P	*Hex Nut 10 - 24 UNC
45	7944R	Ball Lockwasher R.H. - Rear	113	1006P	*Lockwasher 10
46	7944R	Ball Lockwasher L.H. - Rear	114	509P	*Hex Nut 10 - 24 UNC
47	7944R	Ball Lockwasher R.H. - Side	115	3114P	*Hex Bolt 1/4 - 20 x 1/2"
48	7944R	Ball Lockwasher L.H. - Side	116	3027P	*Hex Bolt 3/8 - 16 x 1 - 1/2"
49	634A014	Locknut and Washers	117	155P	*Hex Nut 3/8 - 24 UNC
50	634A787	Locknut and Washers	118	2614P	*Center Pin 1/4 x 1"
51	634A025	Hanger Weldment - L.H. - Front	119	5529P	*Serrated Pan Hd. Self Tap Screw No. 8 x 3/4 Type AB
52	7151H	Choke Control	120	3137P	*Hex Bolt 3/8 - 16 x 1 - 1/4 Gr. 5
53	1817J	Front Control (Inc. Key 61, 62 & 63)	121	1402P	Ext. Tooth Lockwasher 3/8"
54	67J	Lock			
55	928J	Decal - Oil Pattern			
56	634A888	Chassis Assy. (Inc. Key 57 & 58)			
57	9468H	Bearing			
58	4766H	Bearing			
59	634A006	Ball Mount Assy.			
60	954	Grill Spacer			
61	1637100	Tractor Wheel - Cutting			
62	8204R	Clamp			
63	1637100	Tractor Control Knob			
64	634A893	Dashboard (Inc. Key No's. 66 and 67)			
65	609	Battery Support			
66	1998R	Clip - Dashboard			
67	8571R	Clip - Dashboard, Center			

*STANDARD HARDWARE—PURCHASE LOCALLY

REPAIR PARTS

ROPER 16T GARDEN TRACTOR-MODEL NO. T6328BR
STEERING AND FINAL DRIVE



REPAIR PARTS

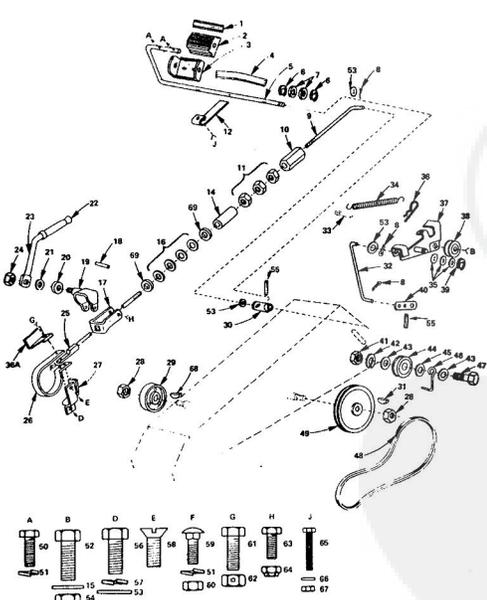
ROPER 16T GARDEN TRACTOR-MODEL NO. T6328BR
STEERING AND FINAL DRIVE

KEY NO.	PART NO.	DESCRIPTION	KEY NO.	PART NO.	DESCRIPTION
1	9716R	Steering Wheel Insert	46	G1P	Sp. Nk. Sht. Sht. Car. Bolt 3/8 x 1 1/2
2	3022P	*Hex Bolt 3/8 - 16 x 1	47	1613P	Washer 13/32 x 13/16 - 16 Ga.
3	1004P	Lockwasher 3/8	48	1519P	Washer 15/32 x 1 x 12 Ga.
4	1555P	Washer 7/16 x 1 x 10 Ga.	49	5201H	Locknut 3/8 UNF
5	3064R	Steering Wheel	50	3022P	*Hex Bolt 3/8 - 16 x 1 1/2
6	5003P	E-Ring	51	1557P	Washer 13/32 x 13/16 x 11 Ga.
7	9007H	Cap	53	501P	*Hex Nut 3/8 - 16 UNF
8	5948H	Rubber Bushing	54	3022P	*Hex Bolt 3/8 - 16 x 1 1/2
9	7903R	Foot Rest - L.H.	55	3022P	*Hex Bolt 3/8 - 16 x 7/8
10	8909R	Decal (Front Clutch)	56	2010P	*Hex Bolt 5/16 - 18 x 3/4
11	7904R	Foot Rest - R.H.	57	1003P	*Lockwasher 5/16
12	1552P	Washer 5/8 x 1 - 1/4 x 16 Ga.	58	18P	*Sp. Neck Carriage Bolt 3/8 - 16 x 3/4
13	9858M1	Woodruff Key 3/16 x 5/8	59	1304H	*Hex Bolt 7/16 - 14 x 1
14	6344S2	Steering Shaft and Pinion Control Knop	60	3004P	*Hex Bolt 7/16 - 14 UNF
15	6344H	Shift Rod Bracket	61	1001P	*Lockwasher 7/16
16	6442H	Shift Rod Guide	62	500P	*Hex Nut 7/16 - 14 UNF
17	2011P	*Corner Pin 3/16 x 1	63	3003P	*Hex Bolt 3/8 - 16 x 3/4
18	63442A	Belt Guide	64	1548P	*Washer 9/32 x 5/8 x 16 Ga.
19	8074R	Transmission Bracket	65	1002P	*Lockwasher 1/2
20	9594R	Transmission Bracket	66	503P	*Hex Nut 1/4 - 20 UNF
21	8358R	Rear Tire 23 x 9.50 - 12	67	18P	*Short Shoulder Sp. Neck Carriage Bolt 5/16 - 18 x 3/4
22	7958R	Rear Wheel 12 x 7 JA	68	1513P	*Washer 11/32 x 11/16 x 16 Ga.
23	8428R	Fender - R.H.	69	1602H	Lock Nut 5/16 - 18 UNF
24	63446R2	Rear Wheel Hub and Bushing	70	3021P	*Hex Bolt 3/8 - 16 x 3/4
25	7583R	Asse Thrust Washer	71	52P	Carriage Bolt 1/2 - 13 x 1 - 1/4 G. 5
26	9427R	Fender - L.H.	72	1518P	Washer 24 x 1 - 1/8 x 11 Ga.
27	9427R	Fender - L.H.	73	1560P	Washer 13/32 x 1 - 1/2 x 11 Ga.
28	9427R	Fender - L.H.	74	1000P	*Lockwasher 1/2
29	9427R	Fender - L.H.	75	5021H	*Hex Nut 1/2 - 13 UNF
30	9427R	Fender - L.H.	76	3158P	*Hex Nut 1/4 - 20 UNF
31	175J	Seat Stop Bracket	77	9547H	Rubber Grommet
32	175J	Seat Stop Bracket	78	3158P	*Hex Nut 1/4 - 20 UNF
33	8141H	Seat Spring Reinforcement	79	3158P	*Hex Nut 1/4 - 20 UNF
34	9888R	Seat Plate Weldment	80	9547H	Rubber Grommet
35	6344775	Seat Plate Weldment	81	235J	Steering Wheel Decal
36	6344532	Bracket, Seat Feet	82	174J	Rubber Bumper
37	7897R	Bracket, Seat Feet	83	245J	Decal
38	9744R	Seat	84	1624J	Warranty Fact Tag
39	1229J	Fuel Gauge	85	1616J	Owner's Manual
40	7885R	Fuel Tank			
41	8099R	Fuel Line Clamp			
42	2751R	Clip - Fuel Line			
43	8373R	Fuel Line (Clamp)			
44	206J	In-Line Filter			
45	35J	Fuel Line			
46A	9237R	Clip - Fuel Line			

*STANDARD HARDWARE - PURCHASE LOCALLY

REPAIR PARTS

ROPER 16T GARDEN TRACTOR-MODEL NO. T6328BR
BRAKE AND CLUTCH



REPAIR PARTS

ROPER 16T GARDEN TRACTOR-MODEL NO. T6328BR
BRAKE AND CLUTCH

KEY NO.	PART NO.	DESCRIPTION	KEY NO.	PART NO.	DESCRIPTION
1	8899R	Insert Clutch-Brake	37	634A764	Idle-Bracket Weldment
2	882R	Foot Pedal	38	6636H	Idle-
3	9175H	Foot Pedal Bracket	39	3022P	E-Ring
4	9003H	Spring	40	634A88B	Steering Arm Assembly
5	111J	Foot Pedal Shaft	41	500P	*Hex Nut 7/16 - 14 UNF
6	5001P	E-Ring	42	1001P	*Lockwasher 7/16
7	1529P	Washer 21/32 x 7/8 x 16 Ga.	43	1544P	*Washer 15/32 x 15/16 x 18 Ga.
8	2905P	Corner Pin 1/8 x 3/4	44	6636H	Idle-Bracket
9	2202R	Brake Rod - Front	45	1520P	Washer .469 I.D. x 1 - 1/8 x 11 Ga.
10	6511H	Turnbuckle	46	5429H	Belt Fringe
11	501P	*Hex Nut 3/8 - 16 UNF	47	3202P	*Hex Bolt 7/16 - 14 x 2 - 1/2
12	7823R	Safety Shift Actuator	48	2662R	V-Belt
13	1557P	Washer 13/32 x 13/16 x 11 Ga.	49	6461H	Pulley, Transmission
14	2201R	Bushing	50	3003P	*Hex Bolt 1/4 - 20 x 3/4
15	1557P	Washer 13/32 x 13/16 x 11 Ga.	51	1002P	*Lockwasher 1/2
16	2263R	Spring Washer	52	3052P	*Fin. Hex Bolt 3/8 - 24 x 1
17	9886R	Parking Brake Yoke	53	1513P	*Washer 13/32 x 13/16 x 18 Ga.
18	1704H	Roll Pin	54	548P	*Hex Jam Nut 3/8 - 24 UNF
19	634A88B	Lock Bracket Assembly	55	1429H	Roll Pin
20	2221R	Spacer	56	3022P	*Hex Bolt 3/8 - 16 x 7/8
21	5999H	Spring Washer	57	1004P	*Lockwasher 3/8
22	4376H	Handle Grip	58	3164P	Fast. Hex. Machine Screw - Undercut 3/8 - 16 x 3/4
23	626A241	Parking Lock Handle Assembly	59	111P	Sp. Neck Carriage Bolt 1/4 - 20 x 5/8
24	7810H	Glass Genlock Nut 3/8 - 24 UNF	60	503P	*Hex Nut 1/4 - 20 UNF
25	676A365	Brake Rod Assembly	61	3153P	*Hex Bolt 5/16 - 18 x 7/8
26	82A211	Brake Band Assembly	62	1685H	Locknut 5/16 - 18 UNF
27	634A168	Brake Bracket Assembly	63	3246P	*Hex Bolt 1/4 - 20 x 5/8 G. 5
28	9204H	Lock Nut 1/2 - 20 UNF	64	9011H	Hex Nut 1/4 - 28 UNF
29	114J	Roll Pin	65	3226P	Hex Nut, Wash. Screws 6 - 32 x 1
30	634A899	Brake Arm Assembly	66	1567P	Washer 5/32 x 3/8 x 20 Ga.
31	9888M1	Woodruff Key	67	1602P	Centerlock Nut 6 - 32 UNF
32	9288R	Clutch Rod	68	2228H	Woodruff Key
33	6514P	*Corner Pin 1/4 x 1	69	1602P	Washer 13/32 x 5/8 x 11 Ga.
34	6486H	Spring			
35	1163P	*Washer 1/32 - 1 - 1/16 x 21 Ga.			
36	4933M	Retainer Spring			
36A	544J	Hour Shield			

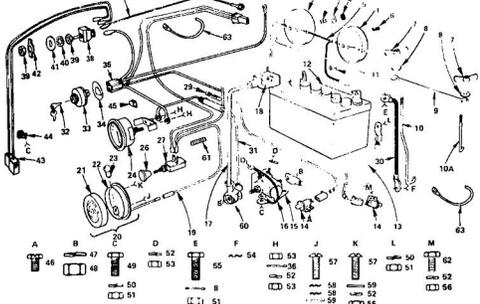
*STANDARD HARDWARE - PURCHASE LOCALLY

Click Here to upgrade to Unlimited Pages and Expanded Features

REPAIR PARTS

ROPER 16T GARDEN TRACTOR-MODEL NO. T6328BR

ELECTRICAL

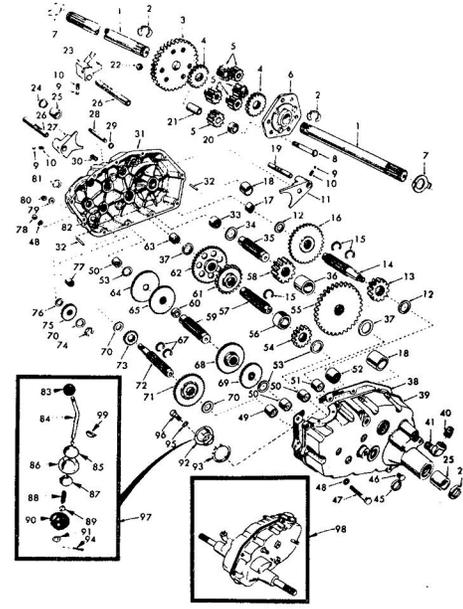


KEY NO.	PART NO.	DESCRIPTION	KEY NO.	PART NO.	DESCRIPTION
1	6452R	Headlight	34	8657R	Terminal Identifier
2	5565P	Phillips Pan Hd. Thd. Cutting Screw No. 10 - 16 x 1/2	35	118J	Wire Harness - Main
3	8788H	Rubber Spacer	36	1583P	Brass Washer No. 10
4	8031R	Headlight Ground Wire	37	8285P	Wire, Ground LIFT Switch
5	8192H	Hose	38	8984R	Switch Elec. Lift
6	3748M	Wing Nut 1/4 - 20 UNC	39	1515P	Hex. Nut, Steel 7/16 - 32 NS - 2A
7	1506P	Washer 9/32 x 5/8 x 16 Ga.	40	7319R	Lockwasher, Internal Foot
8	7952R	Battery Clamp	41	8955P	Washer 5/32 x 1 1/16 x 16 Ga.
9	2088R	Battery Bolt	42	8349R	Switch Plate
10	181J	Insulated Clip	43	5320R	Lift Motor Harness
11	4171R	Battery	44	5320R	Clip, Wire
12	225J	Cable - Solenoid to Starter	45	8515R	Clamp
13	117J	Safety Switch	46	5534P	Slotted Hex. Undercut Hex. Self Tapping Screw No. 10 - 24 x 3/8 True 1
14	7752R	Solenoid	47	1003P	Lockwasher 5/16
15	7754R	Solenoid	48	238P	Hex. Nut 1/4 - 24 UNF
16	8027R	Wire - Ground to Solenoid	49	3115P	Hex Bolt 1/4 - 20 x 5/8
17	116J	Battery Cable	50	1002P	Lockwasher, 1/4
18	226J	Terminal Cover	51	503P	Hex Nut 1/4 - 20 UNC
19	8030R	Light Harness	52	1402P	Hex Nut No. 10 - 32 UNF
20	8292H	Lens - Taillight	53	543P	Ext. Foot Lockwasher 3/8
21	8292H	Lens - Taillight	54	3003P	Hex. Nut No. 10 - 24 UNC
22	8292H	Bulb No. 1955 - Candle Power	55	3074P	Ext. Foot Lockwasher No. 10
23	8292H	Adapter	56	1504P	Slotted Terminal Cover
24	7744R	Light Switch Knob	57	1504P	Wire Guard
25	7752R	Light Switch	58	3218P	Hex. Nut, Black, Screw No. 10 - 24 x 1/2
26	2217R	Fuse - 15 Amp	59	8106P	Cable Tie
27	5347R	Fuse - 20 Amp	60	8106P	Cable Tie
28	7753R	Battery Cable - Ground	61	8106P	Cable Tie
29	8113R	Fuse Harness	62	8106P	Cable Tie
30	7852H	Key, Ser.	63	8106P	Cable Tie
31	4408R	Ignition Switch (Inc. Key No. 32)			

REPAIR PARTS

ROPER 16T GARDEN TRACTOR-MODEL NO. T6328BR

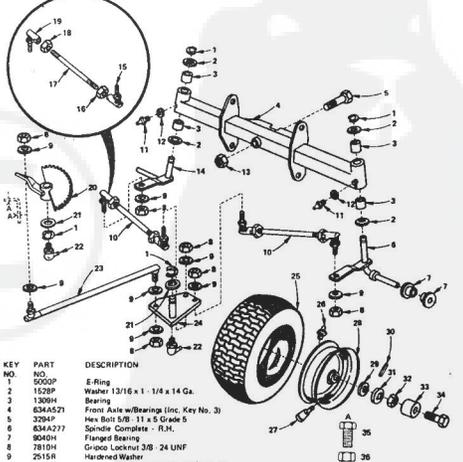
TRANSAXLE



REPAIR PARTS

ROPER 16T GARDEN TRACTOR-MODEL NO. T6328BR

FRONT AXLE



REPAIR PARTS

ROPER 16T GARDEN TRACTOR-MODEL NO. T6328BR

TRANSAXLE

KEY NO.	PART NO.	DESCRIPTION	KEY NO.	PART NO.	DESCRIPTION
1	4197R	Axle Shaft	40	4895H	Needle Bearing
2	5848R	Retaining Ring	41	4222R	Needle Bearing
3	4198R	Final Drive Gear	51	1502R	Needle Bearing
4	4218R	Differential Gear	52	8119R	Needle Bearing
5	4215R	Differential Pinion	53	4200R	Thrust Bearing Race
6	4217R	Differential Carrier	40	4209R	3rd Reduction Pinion - Low
7	6256H	Axle Thrust Washer	41	4213R	4th Reduction Gear
8	3056P	Hex Bolt 3/8 - 24 UNF x 3 - 1/4 (17" Thread Length)	56	4442R	3rd Reduction Pinion Spacer
9	7892M	Steel Ball	57	4158R	2nd Reduction Gear Shaft
10	6272H	Spring Shifter Fork Detent	58	4214R	Final Drive Pinion
11	4885R	Shift Fork, High - Low Range	59	4184R	1st Reduction Gear Shaft
12	6286H	Thrust Bearing Race	60	7528R	1st Reduction Pinion - High
13	4212R	4th Reduction Pinion	62	4207R	2nd Reduction Gear
14	4198R	3rd Reduction Gear Shaft	63	7398R	Needle Bearing
15	6276H	Snap Ring - Crescent Type	64	4203R	Low Speed Gear and 2nd Reduction Pinion Cluster
16	633A63	High - Low Range Gears	65	4204R	Reverse Gear
17	8118M	Needle Bearing	66	4008H	Snap Ring - Crescent Type Intermediate Speed Gear
18	8740H	Sintered Iron Bearing	67	4209R	High Speed Gear
19	6271H	Shift Fork Shaft, High - Low Range	68	4206R	Thrust Bearing Race
20	4218R	Differential Pinion Spacer	70	1370H	Intermediate and High Speed Cluster Pinion
21	6262H	Differential Pinion Quabing	71	633A66	Input Shaft
22	7810H	Groove Centerlock Nut 3/8 - 24 UNF	72	4103R	Low Speed Pinion
23	4888R	Shift Fork - L.H.	73	5201R	E-Ring
24	7362R	Oil Seal	74	5001P	E-Ring
25	9821H	Sintered Iron Bearing	75	1153R	Reverse Idler Gear
26	6216H	Shift Fork Shaft	76	7324P	Reverse Idler Thrust Washer
27	6282H	Shift Fork - R.H.	77	5099H	Needle Bearing
28	6218H	Shift Shaft, High - Low Range	78	504P	Sealing Washer
29	6289H	Oil Seal	79	1167R	Hex. Nut 5/16 - 18 UNC
30	8055H	Pressure Relief Valve	80	541P	Hex. Nut 7/16 - 20 UNF
31	633A85	Gears, Reverse Idler Shaft and Bearings - R.H. (Inc. Key No's. 17, 18, 25, 26, 50, 51, 76, 77 and 82)	81	8270H	Oil Seal
32	6277H	Down Pin	82	7894H	Reverse Idler Shaft
33	4222R	Needle Bearing	83	6364H	Control Knob
34	7388H	Thrust Bearing Race	84	8518R	Gear Shift Lever - Bent
35	4106R	4th Reduction Gear Shaft	85	3013R	Gear Shift Cap
36	4200R	4th Reduction Gear Spacer	86	633A86	Gear Shift Ball Cover and Pin
37	7398H	Thrust Bearing Race	87	8739H	Shift Lever Guide Ball - Keyed
38	6275H	Gearcase Gasket	88	4924H	Spring
39	633A94	Gearcase and Bearings - L.H. (Inc. Key No's. 18, 25, 49, 50, 52, 51 and 52)	89	1593P	Washer 1/32 x 5/8 x 16 Ga.
40	4002P	Flange Fitting	90	8106R	Washer 9/16 x 5/16 x 11 Ga.
41	4003P	Street Elbow 90°, 1/2 - 1/4 N.P.T.	91	1505P	Gear Shift Gasket
42	6271H	Oil Seal	92	6274H	Shift Ball Cover Gasket
43	4001P	Pipe Plug 1/4 - 18 N.P.T.	94	2505P	"O" Ring 1/8 x 3/4
44	3087P	Hex Bolt 5/16 - 18 x 1 1/2	96	1003P	Lockwasher 5/16
45	1007P	Lockwasher 5/16 Extra Heavy	97	633A82	Hex Bolt 5/16 - 18 UNC x 7/8
			98	633A78	Gear Shift Lever Assy.
			99	7835M	Transaxle Assembly Less Brake Drum & Shift Lever
					Woodruff Key 1/8 x 1/2

*STANDARD HARDWARE - PURCHASE LOCALLY

KEY NO.	PART NO.	DESCRIPTION	KEY NO.	PART NO.	DESCRIPTION
1	5000P	E-Ring	27	795R	Tire Valve
2	1528P	Washer 13/16 x 1 - 1/4 x 14 Ga.	28	8856H	Cross Fitting 1/4 - 28 Taper Thrd.
3	1308H	Bearing	29	1562P	Front Wheel and Bearings
4	634A521	Front Axle w/Bearings (Inc. Key No. 3)	30	8758H	Rear Axle 5/22 x 1
5	2294P	Hex Bolt 5/8 - 11 x 5 Grade 5	31	8758H	Rear Axle 5/22 x 1
6	834A277	Spline Complete - R.H.	32	4631H	Washer 26/32 x 1 - 1/2 x 16 Ga.
7	8040H	Flanged Bearing	33	3008P	Rear Ax 5/22 x 1
8	7810H	Hardwood Washer	34	3008P	Rear Ax 5/22 x 1
9	2515R	Grass Locknut 3/8 - 24 UNF	35	2502P	Hex Bolt 5/16 - 18 x 1/2
10	7838R	Te Rod and Joints (Inc. Key No's. 15, 16, 17, 18 & 19)	36	546P	*Hex Bolt 3/8 - 24 x 1
11	6855M	Grease Fitting			
12	1505P	Washer 9/32 x 1/2 x 14 Ga.			
13	4764H	Hublock Nut 5/8 x 11 UNC			
14	634A728	Spline Complete - L.H.			
15	8515R	Te Rod Joint (R.H. Thread)			
16	8515R	Te Rod Joint (L.H. Thread)			
17	634A819	Te Rod and Nuts (Inc. Key No's. 16 & 18)			
18	559P	Hex Jam Nut 1/2 - 20 (R.H. Thread)			
19	8514R	Te Rod Joint (R.H. Thread)			
20	634A813	Stringing Gear Sector and Arm			
21	1502P	Washer 4/8 Ga. - 1 - 1/4 x 16 Ga.			
22	6842H	Grease Fitting			
23	7837H	Disc Lams and Joints			
24	634A98	Stringing Bell Cams, Wedges			
25	3328R	Front Tire 18 x 6.50 - 8 T.S.			

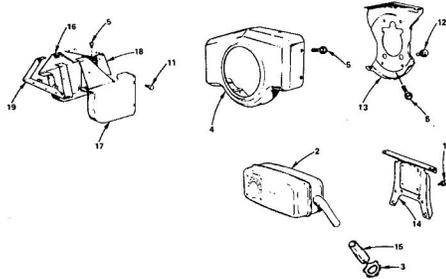
*STANDARD HARDWARE - PURCHASE LOCALLY

REPAIR PARTS

16T GARDEN TRACTOR—MODEL NO. T63288R
BRIGGS AND STRATTON ENGINE—MODEL NO. 401417, TYPE NO. 0127-01

MUFFLER, AIR GUIDE AND HOUSING GROUP

ALL ENGINE PARTS MUST BE PURCHASED THROUGH AND SERVICE PERFORMED BY YOUR LOCAL BRIGGS AND STRATTON DEALER.



KEY NO.	PART NO.	DESCRIPTION	KEY NO.	PART NO.	DESCRIPTION
1	93643	Screw - Sems	13	392934	Back Plate As'y.
2	392999	Muffler - Exhaust	14	222776	Bracket - Muffler
3	91547	Locknut - Muffler	15	231462	Connector - Muffler
4	392681	Housing - Blower	16	392981	Cover As'y. - Air
5	93198	Screw - Sems	17	392982	Cover As'y. - Air
11	93976	Screw - Hex Hd. (Back Plate to Cylinder)	18	393025	Rear Insert As'y.
12	93777	Screw - Hex Hd. (Back Plate to Cylinder)	19	222775	Frame - Air Guide

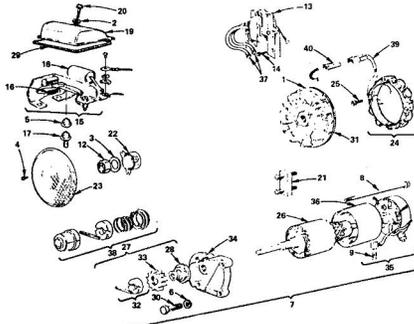
OPTIONAL EQUIPMENT
392114 Soak Arrestor Assembly
222973 Deflector (Side Outlet)
93709 Screw (6 Required)

REPAIR PARTS

16T GARDEN TRACTOR—MODEL NO. T63288R
BRIGGS AND STRATTON ENGINE—MODEL NO. 401417, TYPE NO. 0127-01

STARTER MOTOR GROUP

ALL ENGINE PARTS MUST BE PURCHASED THROUGH AND SERVICE PERFORMED BY YOUR LOCAL BRIGGS AND STRATTON DEALER.



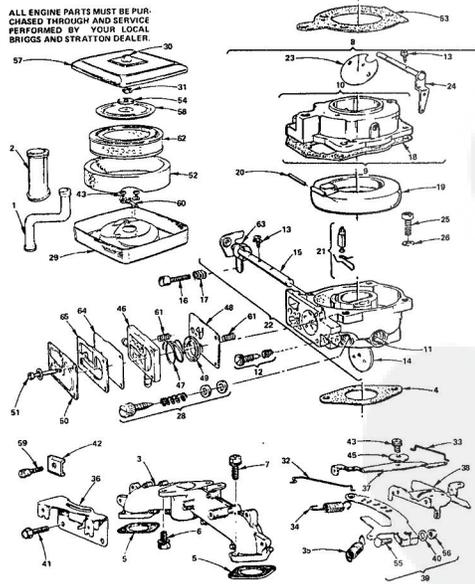
KEY NO.	PART NO.	DESCRIPTION	KEY NO.	PART NO.	DESCRIPTION
1	392966	Flywheel and Ring	21	19203	Pulley - Flywheel (Optional Equip)
2	271037	Washer	22	229274	Cup - Screen Mounting
3	222511	Washer - Spring	23	229273	Screen Flush Rotating
4	93805	Screw - Sems	24	393474	Stator - Alternator
5	290222	Stator - Plunger	25	93921	Screw - Sems
6	90368	Lockwasher	26	392747	Armature Assembly
7	392017	Motor - Starting	27	391461	Drive As'y. - Starter
8	93887	Thru Bolt	28	391135	Clutch As'y. - Starter
9	391705	Brush Set	29	271039	Gear - Breaker Box
10	230214	Nut - Hex	30	91162	Screw - Hex Hd. 5/16 - 18 x 1-1/2
11	392329	Armature Assembly	31	391382	Gear - Flywheel Ring Inc. Mfg. Parts
12	392924	Screw - Armature Mfg. Sem	32	391462	Retainer and Pin Assembly
13	392329	Breaker As'y. - Ignition	33	280104	Gear - Start
14	28218	Screw - Breaker Arm	34	392602	Driver End Cap
15	393463	Plunger - Breaker	35	393019	Commutator End Cap As'y. - Starter
16	28218	Screw - Breaker Arm	36	392144	Housing Assembly
17	393450	Commutator End Cap As'y. - Starter	37	271798	Terminal - Ignition Cable
18	392912	Commutator	38	392354	Kit - Pinion Spring
19	212219	Cover - Breaker Point	39	393456	Diode and Connector As'y.
20	93854	Screw - Sems	40	393362	Alternator Harness As'y.

REPAIR PARTS

16T GARDEN TRACTOR—MODEL NO. T63288R
BRIGGS AND STRATTON ENGINE—MODEL NO. 401417, TYPE NO. 0127-01

AIR CLEANER-CARBURETOR GROUP

ALL ENGINE PARTS MUST BE PURCHASED THROUGH AND SERVICE PERFORMED BY YOUR LOCAL BRIGGS AND STRATTON DEALER.



REPAIR PARTS

16T GARDEN TRACTOR—MODEL NO. T63288R
BRIGGS AND STRATTON ENGINE—MODEL NO. 401417, TYPE NO. 0127-01

AIR CLEANER-CARBURETOR GROUP

ALL ENGINE PARTS MUST BE PURCHASED THROUGH AND SERVICE PERFORMED BY YOUR LOCAL BRIGGS AND STRATTON DEALER.

KEY NO.	PART NO.	DESCRIPTION	KEY NO.	PART NO.	DESCRIPTION
1	280185	Tube - Breather	32	261444	Link - Governor
2	280188	Tube - Intake	33	261460	Link - Speed Control
3	392970	Manifold As'y. - Intake	34	261446	Spring - Governor
4	271015	*Gasket - Carb. Mfg.	35	261487	Spring - Governor Idle
5	270884	*Gasket - Intake Manifold Mfg.	36	279827	Bracket - Speed Control
6	90415	Screw - Carb. Mfg. Sem	37	229228	Lever - Speed Control
7	92308	Screw - Intake Manifold Mfg. Sem	38	392013	Plate As'y. Governor Control
8	392806	Carburetor As'y.	39	392943	Lever As'y. - Governor
9	282207	Body As'y. - Upper Carb.	40	222280	Washer
10	393283	Body - Upper Carb.	41	93868	Screw - Sems
11	23108	Bodying - Throttle Shaft	42	221525	Clamp - Casing
12	292681	*Valve As'y. - Carb. Idle	43	93866	Screw - Sems
13	93499	Screw - Throttle and Choke Valve Mfg. Sem	44	231172	Brushing - Speed Control
14	222432	Valve - Throttle	45	280197	Body - Pump
15	362872	Shaft and Lever - Throttle	46	261395	*Spring - Pump
16	91620	Screw - Mach. Fil. Hd. B - 32 x 5/8	47	270988	*Diaphragm
17	28157	Spring - Throttle Adj.	48	211777	*Cap - Spring
18	271008	*Gasket - Carburetor Body	49	222250	Cover - Diaphragm
19	28514	Floar - Carburetor	50	222250	Cover - Diaphragm
20	230898	*Pin - Flgat Hinge	51	93829	Screw - Diaphragm Cover
21	269096	*Valve - Fuel Inlet	52	271180	Washer
22	362965	Body - Lower Carb.	53	270988	Element - Air Cleaner
23	222010	Valve - Choke	54	92278	Nut - Hex 10 - 24
24	362873	Shaft and Lever - Choke	55	222353	Cover - Air Cleaner
25	90764	Screw - Machine, Fil. Hd. 10/32 x 5/8	56	222835	Cartridge Plate - Air Cleaner
26	92290	Washer - Lock 10 x 1/16 x 3/64	57	93465	Screw - Sems
28	391325	Jet - Main Assembly	58	392943	Mounting Strap As'y. - Air Cleaner
29	222751	Body - Air Cleaner	59	261356	*Spring
30	212292	Knob - Air Cleaner	60	392642	Cartridge - Air Cleaner
31	93715	Nut - Hex	61	271013	Washer - Choke Shaft
			62	270989	*Diaphragm - Damper
			63	271026	*Gasket - Carb. Pump
			64	392718	Gasket Set (Includes Parts Marked *)
			...	393301	Carburetor Overhaul Kit (Includes Parts Marked *)

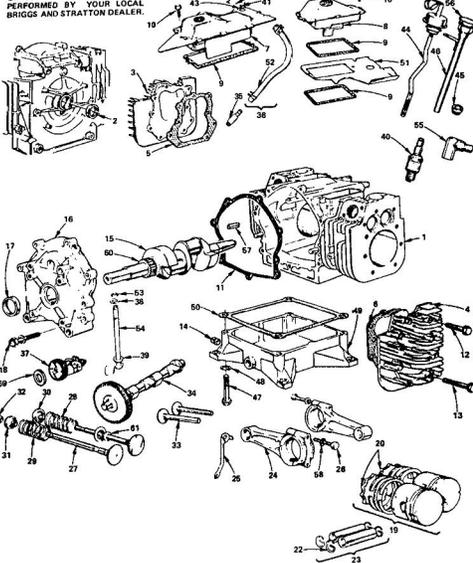
Click Here to upgrade to Unlimited Pages and Expanded Features

REPAIR PARTS

16T GARDEN TRACTOR - MODEL NO. T6328BR
BRIGGS AND STRATTON ENGINE - MODEL NO. 401417, TYPE NO. 0127-01

CYLINDER, CRANKSHAFT AND ENGINE BASE GROUP

ALL ENGINE PARTS MUST BE PURCHASED THROUGH AND SERVICE PERFORMED BY YOUR LOCAL BRIGGS AND STRATTON DEALER.



REPAIR PARTS

16T GARDEN TRACTOR - MODEL NO. T6328BR
BRIGGS AND STRATTON ENGINE - MODEL NO. 401417, TYPE NO. 0127-01

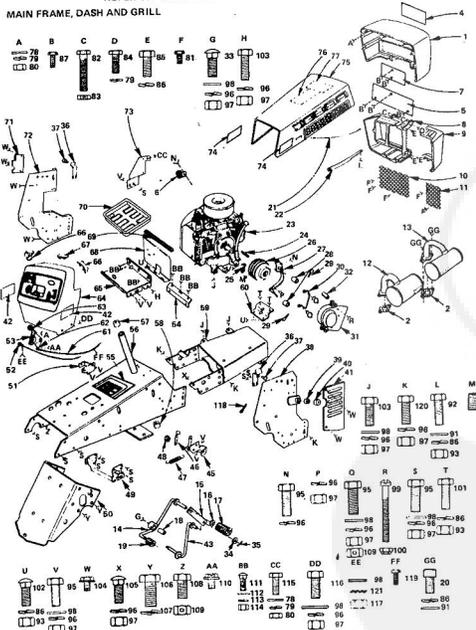
CYLINDER, CRANKSHAFT AND ENGINE BASE GROUP

KEY NO.	PART NO.	DESCRIPTION	KEY NO.	PART NO.	DESCRIPTION
1	392374	Cylinder Assembly	26	92009	Screw - Connecting Rod
2	391085	Seal - Oil	27	296420	Valve - Exhaust
3	212179	Head - Cylinder No. 1	28	68006	Spring - Intake Valve
4	212180	Head - Cylinder No. 2	29	29023	Spring - Exhaust Valve
5	270984	Gasket - Cylinder Head No. 1	30	221506	Retainer - Intake Valve
6	270985	Gasket - Cylinder Head No. 2	31	202560	Retainer - Exhaust Valve
7	392343	Breather Assembly No. 1	32	98350	Retainer - Exhaust Valve Retainer
8	391103	Breather Assembly No. 2	33	201568	Tappet - Valve
9	27203	Gasket - Valve Cover	34	215173	Cam - Cam
10	93294	Screw - Set	35	62716	Elbow - Connector
11	270982	Gasket - Crankcase Cover 1/8" Thick	36	923244	Gov - Governor
11	271145	Gasket - Crankcase Cover .005" Thick	37	392373	Washer - Gov. Crank (outside)
12	211446	Gasket - Crankcase Cover .008" Thick	38	220863	Washer - Gov. Crank (inside)
12	93111	Screw - Cylinder Head (1 - 15/16" Long)	39	98552	Plug - Spark (Retainer)
13	93113	Screw - Cylinder Head (2 - 5/16" Long)	40	90576	Nut - Hex 8 - 32
14	91084	Plug - Oil Drain	41	23114	Terminal
15	392304	Crankshaft	42	280180	Grommet - Insulator
16	392327	Cover Assembly - Crankcase	43	392181	Cap and Dipstick - Oil Filler
17	291675	Seal - Oil	44	68838	Seal - Filler Tube
18	92847	Cover - Crankcase Cover Mfg. Sem	45	32782	Tube - Oil Filler
19	392321	Piston Assembly - Standard	46	92782	Screw - Hex Hd.
19	392343	Piston Assembly - .010" O.S.	46	92248	Washer
19	392344	Piston Assembly - .020" O.S.	49	923412	Base - Engine
19	392345	Piston Assembly - .030" O.S.	50	279961	Gasket - Engine Base
20	392327	Ring Set - Piston - Standard	50	93053	Clamp - Fuel Pipe
20	392343	Ring Set - Piston - .010" O.S.	51	93951	Retainer - E-Bracket
20	392344	Ring Set - Piston - .020" O.S.	52	93053	Clamp - Fuel Pipe
20	392345	Ring Set - Piston - .030" O.S.	52	93951	Retainer - E-Bracket
20	392342	Ring Set - Piston - .020" O.S.	54	393309	Crank - Governor
22	290294	Lock - Piston	55	60230	Washer - Spark Plug
23	290991	Pin Assembly - Piston - Standard	56	270933	Seal - Oil Filler Cap
23	291295	Pin Assembly - Piston - .005" O.S.	57	61760	Key - Flywheel
24	392320	Rod Assembly - Connecting	58	220863	Washer
25	292460	Dipper - Connecting Rod	58	22273	Washer - Thrust
			60	161363	Gear - Timing
			61	392379	Seal As'y. and Retainer

*Inc. in Gasket Set - 392378

REPAIR PARTS

ROPER 18T TWIN-GARDEN TRACTOR - MODEL NO. T8328AR
MAIN FRAME, DASH AND GRILL



REPAIR PARTS

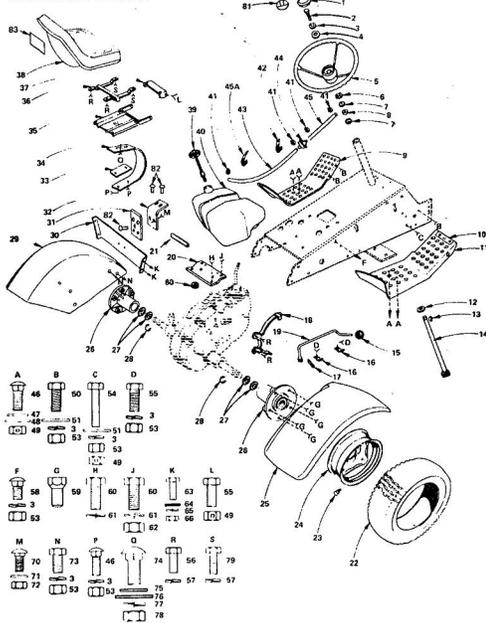
ROPER 18T TWIN-GARDEN TRACTOR - MODEL NO. T8328AR
MAIN FRAME, DASH AND GRILL

KEY NO.	PART NO.	DESCRIPTION	KEY NO.	PART NO.	DESCRIPTION
1	911J	Grill - Upper	68	107J	Battery Heat Shield
2	876J	Gasket - Exhaust Manifold	69	787AR	Hood Seal
3	245J	Decal - R.H.	70	885AR	Battery Tray
4	291J	Grill - Panel - Lower	71	85J	Cover - L.H.
5	5200R	Wire - Coil	72	113J	Bracket - Battery Support - L.H.
7	290J	Grill - Panel - Upper	73	98J	Bracket - Rectifier
7	7937R	Grill - Lower	74	246J	Decal - Roper Logo
9	7938R	Grill - Side	75	634AR01	Hood As'y.
10	2014R	Grill Screen - L.H.	76	8028R	Decal - Instruction
11	2073R	Grill Screen - R.H.	77	8880R	Decal - Wiring
12	105J	Muffler - Rear	78	1505P	Washer 5/16 x 5/8 x 16 Ga.
13	104J	Muffler - Front	79	1002P	Lockwasher 1/4"
14	634AR01	Padel Weldment	80	503P	*Hex Nut 1/4 - 20 UNC
15	92J	Link	81	6501P	Phillips Pan Hd. Thd. Self Tap. 1/4 - 24 x 3/8 Type 1
16	92J	Push-On Nut	82	3267P	*Hex Bolt 1/4 - 20 x 1 - 1/2 Grade 5
17	53J	Rubber Pad	83	1606H	Locknut 1/4 - 20 UNC
18	91J	Pivot Spacer	84	2003P	*Hex Bolt 1/4 - 20 x 3/4
19	2812R	Lock - Piston	85	3010P	*Hex Bolt 5/16 - 18 x 3/4
20	3368P	Sec. Hd. Cap Screw 5/16 - 18 x 3/4	86	1003P	Lockwasher 5/16
21	8058R	Grill Cable	87	6554P	*Phillips Pan Hd. Thd. Self Tap. 1/4 - 18 x 1/2 on Thd. x 1/2 Bunt Point
22	878J	Grill Brace	87	6554P	*Phillips Pan Hd. Thd. Self Tap. 1/4 - 18 x 1/2 on Thd. x 1/2 Bunt Point
22	634AR10	Engine, Clean 18 H.P. 949M-GAO18/2417A	88	1537P	*Washer 11/32 x 11/16 x 16 Ga.
24	9205R	Sec. Key 1/4 x 2	89	3011P	*Hex Bolt 5/16 - 18 x 1
25	8245R	Belt Retainer Finger	90	604P	*Hex Nut 5/16 - 18 UNC
26	634AR14	Engine Pulley w/Std. Screws	91	4940P	Hex. Forged Socket Hex. Set Screw 5/16 - 18 x 1/2
27	634AR27	Bolt Guide Weldment	95	3022P	*Hex Bolt 3/8 - 16 x 1
28	8104H1	Spacer	96	1004P	Lockwasher 3/8
29	4939A	Retainer Spring	97	501P	*Hex Nut 3/8 - 16 UNC
30	9011H	Belt Retainer	98	1513P	Washer 13/32 x 13/16 x 16 Ga.
31	634AR59	Belt Guard Weldment	98	2154P	Std. Fil. Hd. Machine Screw 1/4 - 20 x 2 - 1/4
32	8238H	Self Spacer	100	347H	Hiplock Nut 1/4 - 29 UNC
33	509P	Washer 17/32 x 1 x 16 Ga.	102	6P	*Carriage Bolt 5/16 - 18 x 3/4
34	1548P	Cotter Pin 1/8 x 1	103	3025P	*Hex Bolt 3/8 - 16 x 1 - 1/4
36	634AR00	Hood Latch	104	5557P	Hex Washer Hd. Thd. Cutting Screw 1/4 - 20 x 1/2 Type 1
37	8457R	Support Bumper	105	61P	Std. Neck Carriage Bolt - Shroul Shroul 3/8 - 18 x 1 Ga. 5
38	634AR03	Battery Support Bracket (Inc. Key 39)	106	3035P	*Hex Bolt 7/16 - 14 x 1 - 1/4
39	7368R	Bearing	107	1001P	Lockwasher 7/16
40	8906R	Cap - R.H.	108	3021P	*Hex Bolt 3/8 - 16 x 3/4
41	7729R	Cover - R.H.	109	6394H	Hex. Std. Hd. Machine Screw w/Sems Int. Tooth Lockwasher 10 - 22 x 1/4
42	291J	Modal Decal - Side of Dash	110	6055P	Hex. Std. Hd. Machine Screw w/Sems Int. Tooth Lockwasher 10 - 22 x 1/4
43	634AR02	Lever Weldment	111	53P	Std. Neck Carriage Bolt 10 - 24 x 1/2
45	634AR19	Header Weldment R.H. - Front	112	1536P	Washer 7/32 x 7/16 x 16 Ga.
46	7944R	Belt Tightener Arm	113	1000P	Lockwasher No. 10
47	7948R	Return Spring	114	895P	*Hex Nut 10 - 24 UNC
48	7810R	Locknut 3/8 - 24 UNF	115	2154P	*Hex Bolt 3/8 - 16 x 1 - 1/2
49	634AR14	Header Weldment - Rear	116	515P	*Hex Nut 3/8 - 24 UNF
50	634AR7	Drawbar and Weldnuts	118	2514P	Cotter Pin 1/4 x 1
51	634AR55	Header Weldment - L.H. - Front	119	5922P	*Slotted Pan Hd. Self Tap. Screw No. 8 x 3/4 Typc AB
52	7931R	Choke Control	120	3025P	*Hex Bolt 3/8 - 16 x 1 - 1/4 Ga. 5
53	1518J	Throttle Control (Inc. Key 61, 62 & 63)	121	1402P	Std. Tooth Lockwasher - 3/8
54	927J	Decal (Std. Pattern)			
55	9634R	Chassis As'y. (Inc. Key 57 & 58)			
56	634AR88	Bearing			
57	6468H	Bearing			
58	4760H	Engine Mount As'y.			
59	634AR08	Grill Spacer			
60	96J	Throttle Wire & Casing			
61	9903R	Clamp			
62	8104H	Throttle Control Lever			
63	1551J	Dashboard (Inc. Key No's. 68 and 67)			
64	634AR93	Battery Support			
65	100J	Clip - Dashboard			
66	1998R	Clip - Dashboard			
67	8911R	Clip - Dashboard			

*STANDARD HARDWARE - PURCHASE LOCALLY

REPAIR PARTS

ROPER 18T TWIN-GARDEN TRACTOR-MODEL NO. T8328AR
STEERING AND FINAL DRIVE



REPAIR PARTS

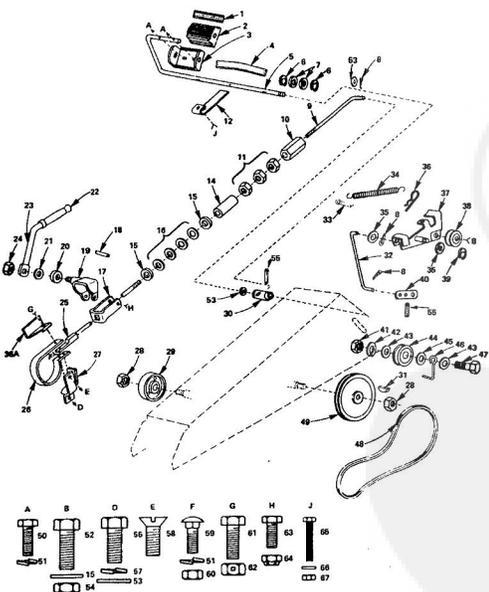
ROPER 18T TWIN-GARDEN TRACTOR-MODEL NO. T8328AR
STEERING AND FINAL DRIVE

KEY NO.	PART NO.	DESCRIPTION	KEY NO.	PART NO.	DESCRIPTION
1	9719R	Steering Wheel Insert	46	61P	St. Nk. Shit. Carr. Bolt 3.8 x 1.0 x 5
2	3023P	*Hex Bolt 3/8 - 16 x 1	47	1513P	*Washer 13/32 x 13/16 x 16 Ga.
3	1004P	*Lockwasher 3/8	48	1519P	*Washer 15/32 x 1 x 12 Ga.
4	1659P	Washer 7/16 x 1 x 10 Ga.	49	6294H	Locknut 3/8 UNC
5	2644R	Steering Wheel	50	3025P	*Hex Bolt 3/8 - 18 x 1 - 1/4
6	5003P	E-Ring	51	1561P	Washer 13/32 x 13/16 x 11 Ga.
7	9002H	Cap	53	501P	*Hex Nut 3/8 - 16 UNC
8	5949H	Rubber Bushing	54	3027P	*Hex Bolt 3/8 - 16 x 1 - 1/2
9	7903R	Foot Rest - L.H.	55	3028P	*Hex Bolt 3/8 - 16 x 7/8
10	8900R	Decal (Attach, Clutch)	56	2010P	*Hex Bolt 5/16 - 18 x 3/4
11	7904H	Foot Rest - R.H.	57	1003P	*Lockwasher 5/16
12	1653P	Washer 5/16 x 1 - 1/4 x 16 Ga.	58	18P	*St. Neck Carriage Bolt 3/8 - 16 x 3/4
13	9858M1	Woodruff Key 3/16 x 5/8	59	1304H	Hub Bolt
14	634A26	Steering Shaft and Pinion	60	3034P	*Hex Bolt 7/16 - 14 x 1
15	7887R	Control Knob	61	1001P	*Lockwasher 7/16
16	6442H	Shift Rod Bracket	62	500P	*Hex Nut 7/16 - 14 UNC
17	2511P	Cotter Pin 3/16 x 1	63	2003P	*Hex Bolt 1/4 - 20 x 3/4
18	634A22A	Shift Rod	64	1505P	*Washer 9/32 x 29/32 x 16 Ga.
19	6477H	Range Shift Rod	65	1002P	*Lockwasher 1/4
20	9694H	Transmission Bracket	66	503P	*Hex Nut 1/4 - 20 UNC
21	8674R	Seat Stop	70	6P	*Shot Shoulder Sq. Neck Carriage Bolt 5/16 - 18 x 24
22	4607R	Rear Tire 23 x 10.50 - 12	71	1537P	Washer 11/22 x 11/16 x 16 Ga.
23	795P	Tire Valve	72	1868H	Lock Nut 5/16 - 18 UNC
24	3535R	Rear Wheel 2 x 7 JA	73	3021P	*Hex Bolt 3/8 - 18 x 3/4
25	9428R	Fender - R.H.	74	629	Carriage Bolt 1/2 - 13 x 1 - 1/4 Gr. 5
26	634A92	Wheel Hub - Rear	75	1878P	Washer 3/4 x 1 - 1/8 x 11 Ga.
27	9427R	Acute Thread Washer	76	1560P	Washer 17/32 x 1 - 1/2 x 11 Ga.
28	5645R	Retaining Ring	77	1000P	*Lockwasher 1/2
29	9427R	Fender - L.H.	78	2002P	*Hex Nut 1/2 - 13 UNC
30	2556R	Bracket - Tail Light	79	3155P	*Hex Bolt 5/16 - 18 x 7/8
31	1251	Seat Stop Bracket	80	9947R	Rubber Grommet
32	1261	Fuel Tank Retainer	81	2361	Steering Wheel Decal
33	8147H	Seat Spring Reinforcement	82	1241	Rubber Bumper
34	7898R	Seat Spring	83	245J	Decal
35	634A76	Seat Plate Weldment	84	364J	Warranty Fact Tag
36	634A52	Seat Bracket Weldment	—	246J	Owners Manual
37	7977R	Bracket, Seat Pivot			
38	9746H	Seat			
39	7888R	Fuel Gauge			
40	7889R	Fuel Tank			
41	8999R	Fuel Line Clamp			
42	2751R	Clk. Fuel Line			
43	7834P	Fuel Line (Long)			
44	286J	In-Line Filter			
45	7833R	Fuel Line (Short)			
45A	9297R	Clip - Fuel Line			

*STANDARD HARDWARE PURCHASE LOCALLY

REPAIR PARTS

ROPER 18T TWIN-GARDEN TRACTOR-MODEL NO. T8328AR
BRAKE AND CLUTCH



REPAIR PARTS

ROPER 18T TWIN-GARDEN TRACTOR-MODEL NO. T8328AR
BRAKE AND CLUTCH

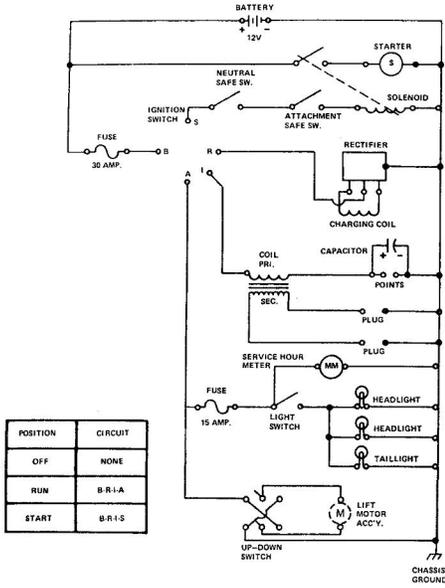
KEY NO.	PART NO.	DESCRIPTION	KEY NO.	PART NO.	DESCRIPTION
1	8899R	Insert Clutch-Brake	37	634A75A	Idle Bracket Weldment
2	8822R	Foot Pedal	38	6238H	Idle
3	8156H	Foot Pedal Bracket	39	5000P	E-Ring
4	9008H	Spring	40	634A88B	Steering Arm Assembly
5	1111	Foot Pedal Shaft	41	500P	*Hex Nut 7/16 - 14 UNC
6	5001P	E-Ring	42	1001P	*Lockwasher 7/16
7	1523P	Washer 21/32 x 7/8 x 16 Ga.	43	1544P	*Washer 15/32 x 15/16 x 16 Ga.
8	2505P	Cotter Pin 1/8 x 3/4	44	6835H	Flat Idle
9	2322R	Brake Rod - Front	45	1520P	Washer - 409 I.D. x 1 - 1/8 x 11 Ga.
10	6417H	Lardbuckle	46	6479H1	Belt Fender
11	501P	*Hex Nut 3/8 - 10 UNC	47	3262P	*Hex Bolt 7/16 - 14 x 2 - 1/2
12	7823R	Adjuster	48	2892H	V-Belt
13	2201R	Bushing	49	6481H2	Pulley, Transmission
14	1527P	Washer 13/32 x 13/16 x 11 Ga.	50	3035P	*Hex Bolt 1/4 - 20 x 3/4
15	2203R	Spring Washer	51	1002P	*Lockwasher 1/4
16	2203R	Spring Washer	52	3052P	*Hex Bolt 3/8 - 24 x 1
17	9656R	Parking Brake Yoke	53	1513P	*Washer 13/32 x 13/16 x 16 Ga.
18	1754H	Roll Pin	54	548P	*Hex Jam Nut 3/8 - 24 UNF
19	634A887	Lock Bracket Assembly	55	5142H	Roll Pin
20	2221R	Parking Brake Spacer	56	3027P	*Hex Bolt 3/8 - 16 x 7/8
21	4379H	Spring Washer	57	1004P	*Lockwasher 3/8
22	626A241	Handle Grip	58	3164P	Flar Hd. Machine Screw - Undercut 3/8 - 16 x 24
23	7810H	Parking Lock Handle Assembly	59	11P	St. Neck Carriage Bolt 1/4 - 20 x 5/8
24	7810H	Clutch Centerlock Nut 3/8 - 24 UNF	60	500P	*Hex Nut 1/4 - 20 UNC
25	626A365	Brake Rod Assembly	61	3155P	*Hex Bolt 5/16 - 18 x 7/8
26	634A157	Brake Band and Lining	62	1865H	Locknut 5/16 - 18 UNC
27	634A168	Brake Bracket Assembly	63	3244P	*Hex Bolt 1/4 - 20 x 5/8 Gr. 5
28	9294H	Lock Nut 1/2 - 20 UNF	64	9071R	Hex Hd. Mach. Screw 5 - 32 x 1
29	7648H1	Brake Drum	65	3266P	Washer 5/22 x 3/8 x 20 Ga.
30	634A889	Brake Arm Assembly	67	502P	*Conical Nut 5 - 32 UNC
31	9858M1	Woodruff Key			
32	9268R	Clutch Rod			
33	2514P	Cotter Pin 1/4 x 1			
34	6488H	Spring			
35	1503P	*Washer 17/32 x 1 - 1/16 x 21 Ga.			
36	4929M	Retainer Spring			
36A	544J	Hose Shield			

*STANDARD HARDWARE PURCHASE LOCALLY

REPAIR PARTS

ROPER 18T TWIN-GARDEN TRACTOR-MODEL NO. T8328AR

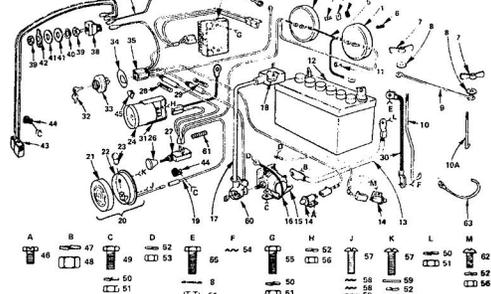
SCHEMATIC DIAGRAM



REPAIR PARTS

ROPER 18T TWIN-GARDEN TRACTOR-MODEL NO. T8328AR

ELECTRICAL

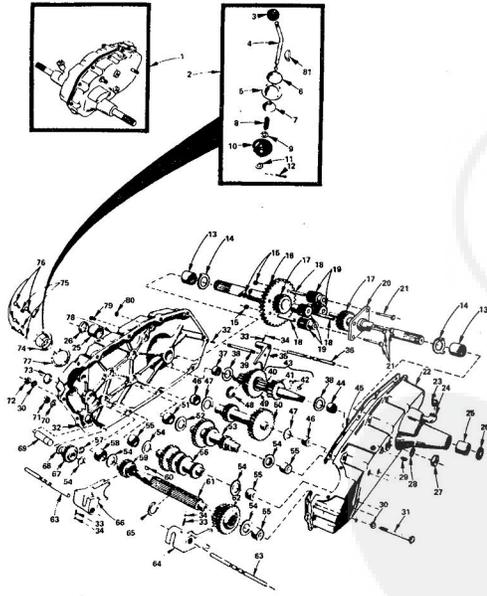


KEY NO.	PART NO.	DESCRIPTION	KEY NO.	PART NO.	DESCRIPTION
1	6452R	Headlight	34	8856R	Terminal Identifier
2	5554P	Pin-Rip Hd. Tnd. Cutting Screw No. 10 - 18 x 1/2	35	8555R	Wire Harness-Moun
3	8780H	Mounting	36	7753R	Regulator-Rectifier
4	8784H	Rubber Spacer	37	8669R	Wire Ground Lift Switch
5	8231H	Headlight Ground Wire	38	8864R	Switch Elec. Lift
6	8197H	Hose	39	555P	Hex Nut, Slim 7/16 - 32 NO. 2A
7	3148A	Wire Nut 1/4 - 20 UNC	40	7318R	Lockwasher, Internal Tooth
8	1506P	Battery Clamp	41	1518P	Washer 15/32 x 11/16 x 16 Ga.
9	7958R	Battery Bolt	42	8348R	Switch Plate
10	2665R	Battery Bolt	43	8856R	1/8 Hr. Harness
10A	8813H	Insulated Clip	44	5320R	Clip, Wire
11	4171R	Battery Bolt	45	8913H	Clip
12	221	Cable - Solenoid to Starter	46	5634P	Solder Hex Indented Hd. Self Tapping Screw No. 10 - 24 x 3/8 Type 1
13	2235R	Relay Switch	47	1003P	*Lockwasher 5/16
14	7755R	Solenoid	48	538P	*Hex Jam Nut 1/8 - 24 UNF
15	7754R	Wire - Ground to Solenoid	49	3118P	*Hex Bolt 1/4 - 20 x 6/8
16	6027R	Battery Cable	50	1059P	*Lockwasher 1/8
17	116J	Battery Cable	51	603P	*Hex Nut 1/4 - 20 UNC
18	8030R	Light Harness	52	1059P	*Lockwasher 1/8
19	8030R	Light Harness	53	645P	*Hex Nut No. 10 - 32 UNF
20	8030H	Light Harness	54	1459P	*Flat Tooth Lockwasher 5/8
21	8224H	Lens - Taillight	55	3003P	*Hex Bolt 1/4 - 20 x 3/4
22	8224H	Holder - Taillight	56	1469P	*Hex Nut No. 10 - 24 UNC
23	8291H	Bulb No. 1895 2 Candle Power	57	3024P	*Std. Truss Hd. Mach. Screw 10 - 24 x 3
24	7782R	Maintenance Meter	58	1469P	*Flat Tooth Lockwasher No. 10
25	7794R	Light Switch Knob	59	1604P	*Washer 7/32 x 1/2 x 18 Ga.
26	7795R	Light Switch	60	611	Standard Terminal Cover
27	2212R	Fuse - 15 Amp.	61	302J	Wire Guard
28	624R	Fuse - 15 Amp.	62	2359P	Std. R.H. Mach. Screw No. 10 - 24 x 1/2
29	2753R	Battery Cable - Ground	63	6106R	Cable Tie
30	8959R	Maintenance Meter Bracket	64		*STANDARD HARDWARE-PURCHASE LOCALLY
31	7852H	Key Set			
32	2683R	Ignition Switch			

REPAIR PARTS

ROPER 18T TWIN-GARDEN TRACTOR-MODEL NO. T8328AR

TRANSAXLE



REPAIR PARTS

ROPER 18T TWIN-GARDEN TRACTOR-MODEL NO. T8328AR

TRANSAXLE

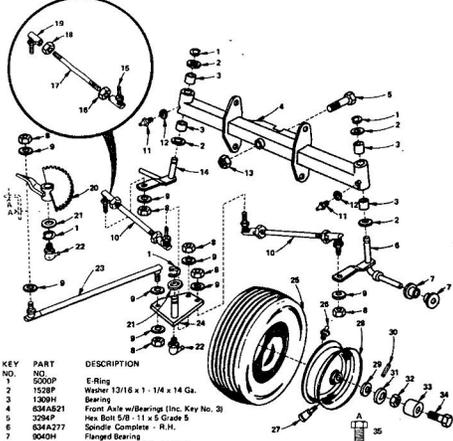
KEY NO.	PART NO.	DESCRIPTION	KEY NO.	PART NO.	DESCRIPTION
1	633A9Z	Transaxle Assembly Less Brake Drum & Shift Lever (Inc. Key No's. 13 thru 80)	44	8119M	Neutric Bearing
2	633A8Z	Gear Shift Lever Assembly (Inc. Key No's. 3 thru 12 and 81)	45	6275H	Gasket - Gearcase
3	7987R	Control Knob	46	8117M	Neutric Bearing
4	9629R	Gear Shift Lever	47	7308H	Thrust Bearing Race
5	633A8S	Gear Shift Ball Cover and Pin	48	6278H	Snap Ring - Crescent Type
6	5013R	Gear Shift Cap	49	633A3Z	High - Low Range Gears and Hub
7	8139H1	Shift Lever Guide Ball	50	7304H	4th Reduction Shaft and Gears
8	4924H	Spring	51	7305H	Needle Bearing
9	1544P	Washer 15/32 x 59/64 x 16 Ga.	52	7305H	Thrust Bearing Race
10	8105R	Shift Mechanism Seal	53	633A31	2nd Reduction Shaft and Gears
11	1525P	Washer 5/16 x 15/16 x 11 Ga.	54	1320H	Thrust Bearing Race
12	2605P	Control 1/8 x 3/4	55	4895H	Needle Bearing
13	3039R	Needle Bearing	56	633A3D	Speed Change Gears and Shaft
14	6266H	Axis Thrust Washer	57	5001P	E Ring
15	7810H	Centerlock Gripco Nut 3/8 - 24 UNF	58	4894H	Needle Bearing
16	8652H	Final Drive Gear	60	6231H	Low Speed Pinion
17	633A7Z	Axle Shaft and Gear	61	9858M1	Woodruff Key
18	6252H1	Bushing - Differential Pinion	62	8218H	Input Shaft
19	8697H	Differential Pinion	63	633A11	Intermediate and High Speed Pinions
20	6263H1	Differential Carrier	64	6216H	Shft. Fork - L.H.
21	3056P	1" Thread Length	65	4219H	Shft. Fork - L.H.
22	633A89	Gear Case and Bearings - L.H.	66	4828H	Snap Ring - Crescent Type
23	4002P	Pipe Plug 1/2 - 14 N.P.T.	67	6809H	Shft. Fork - R.H.
24	4003P	90 Street Elbow 1/2 - 14 N.P.T.	68	7397H	Reverse Idler Gear
25	92281	Sintered Iron Bearing	69	7864H	Reverse Idler Shaft
26	7303R	Oil Seal	70	1167R	Reverse Idler Thrust Washer
27	9204H	Lock Nut	71	541P	Sculing Washer
28	6271H	Oil Seal	72	504P	*Hex Nut 5/16 - 18 UNC
29	3001P	Pipe Plug 1/4 - 18 N.P.T.	73	6270H	Oil Seal
30	1007P	Lockwasher 5/16 Extra Heavy	74	76J	Gear Shift Gate
31	3087P	Hex Bolt 5/16 - 18 x 1 - 1/2 Gr. 5	75	1003P	*Lockwasher 5/16
32	6277H	Down Pin	76	3158P	*Hex Bolt 5/16 - 18 x 7/8
33	6272H	Screw - Shift Fork Detent	77	6274H	Gasket - Shift Ball Cover
34	7302A	Shift Fork	78	633A3G	Gear Case, Reverse Idler Shaft and Bearings R.H.
35	6209H	Shift Fork High - Low Range	79	5855H	Pressure Relief Valve
36	6217H	High - Low Range Shift Fork Shaft	80	6206H	Oil Seal
37	8118M	Needle Bearing	81	7835M	Woodruff Key
38	6206H	Thrust Bearing Race			*STANDARD HARDWARE-PURCHASE LOCALLY
39	6215H	High - Low Range Shift Shaft			
40	6221H	3rd Reduction Gear Shaft			
41	8655H	4th Reduction Pinion			
42	2229M	Woodruff Key			
43	633A3Z	3rd Reduction Shaft and Gear (Inc. Key No's. 40 - 41 & 42)			

Click Here to upgrade to Unlimited Pages and Expanded Features

REPAIR PARTS

ROPER 18T TWIN-GARDEN TRACTOR-MODEL NO. T8328AR

FRONT AXLE



KEY NO.	PART NO.	DESCRIPTION	KEY NO.	PART NO.	DESCRIPTION
1	5000P	E Ring	26	6858M	Grease Fitting 1/4" - 28 Taper Thrd.
2	1328P	Washer 1/218 x 1 - 1/4 x 14 Ga.	27	785R	Tire Valve
3	1309H	Bearing	28	3638R	Front Wheel and Bearings
4	634B21	Front Axle w/Bearings (Inc. Key No. 3)	29	1522P	Washer 20/32 x 1 - 1/2 x 16 Ga.
5	3295P	Hex Bolt 5/8" - 11 x 5 Grade 8	30	8785H	Roll Pin 5/32 x 1
6	634A277	Splines Complete - R.H.	31	8785H	Wear Washer
7	9040H	Flanged Bearing	32	4831H	Electric Nut 3/8 - 16 UNF
8	7810H	Grigio Locknut 3/8 - 24 UNF	33	8783H	Dust Cap Outer
9	2515R	Handed Washer	34	3025P	Hex Bolt 5/16" - 18 x 1/2
10	7838R	Tie Rod and Joints (Inc. Key No. 15, 16, 17, 18 & 19)	35	3025P	*Hex Bolt 3/8 - 24 x 1
11	8855M	Grease Fitting	36	846P	*Hex Jam Nut 3/8 - 24 UNF
12	1506P	Washer 9/32 x 1/2 x 14 Ga.			
13	4761H	Wadlock Nut 5/8 x 11 UNC			
14	634A278	Solidie Complete L.H.			
15	8515R	Tie Rod Joint (R.H. Thread)			
16	555P	*Hex Jam Nut 1/2" - 20 (R.H. Thread)			
17	634A819	Tie Rod and Nuts (Inc. Key No. 15 & 16)			
18	555P	*Hex Jam Nut 1/2" - 20 (L.H. Thread)			
19	8514R	Tie Rod Joint (L.H. Thread)			
20	634A813	Steering Gear Sector and Arm			
21	1552P	Washer 49/64 x 1 - 1/4 x 16 Ga.			
22	6842M	Grease Fitting			
23	7827R	Disc Lock and Joints			
24	634A88	Steering Bell Crank Weight			
25	3058R	Front Tire 18 x 6.50 - 8 T.S.			

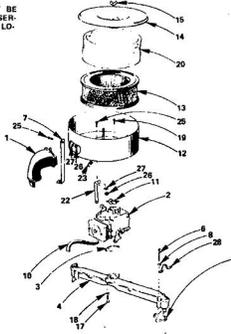
*STANDARD HARDWARE-PURCHASE LOCALLY

REPAIR PARTS

ROPER 18T TWIN-GARDEN TRACTOR-MODEL NO. T8328AR

FUEL SYSTEM GROUP

ALL ENGINE PARTS MUST BE PURCHASED THROUGH AND SERVICE PERFORMED BY YOUR LOCAL ONAN DEALER.



KEY NO.	PART NO.	DESCRIPTION	KEY NO.	PART NO.	DESCRIPTION
1	140-1169	Tube, Air Intake (Air Cleaner to Blower Housing)	15	885-0020	Nut, Wing - Air Cleaner (1/4" - 20)
2	142-0568	Carburetor, Gasoline (with Integral Fuel Pump)	17	800-0021	Screw, Hex Head Cap (1/4" - 20 x 1 - 3/8")
3	145-0438	*Gasket, Carburetor Mounting	18	850-0040	Washer, Spring Lock (1/4" - 20)
4	154-1460	Manifold, Intake	19	815-0463	Screw, Round Head with Nylon Seal (No. 10 - 32 x 5/8")
5	154-1744	*Gasket, Intake - Manifold	20	140-1259	Washer, Air Cleaner Element
6	800-0033	Screw, Hex Head Cap 5/16" - 18 x 2	22	140-1313	Bracket, Air Cleaner Support
7	140-1198	Support, Air Cleaner	23	518-0228	Clip, Bracket, Cable
8	850-0045	Washer, Spring Lock (5/16")	26	800-0003	Screw, Hex Head Cap (1/4" - 20 x 1/2")
10	603-0140	Hose, Fuel Pump Vacuum	27	882-0001	Nut, Hex Steel (1/4" - 20)
11	140-1215	*Gasket, Air Cleaner Mtg.	28	833-0013	Washer, Lock - ET (1/4")
12	140-1213	Housing, Air Cleaner	28	403-1021	Bracket, Lifting
13	140-1216	Element, Air Cleaner			
14	140-1186	Cover, Air Cleaner			

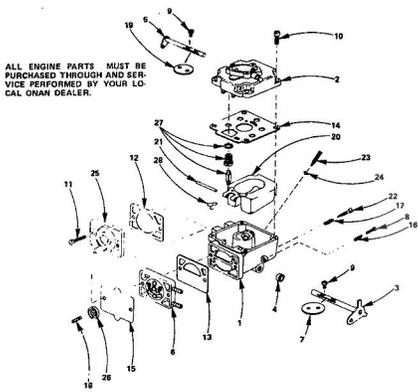
1. See separate group for components.
* Included in Gasket Kit, page 29.

REPAIR PARTS

ROPER 18T TWIN-GARDEN TRACTOR-MODEL NO. T8328AR

CARBURETOR PARTS GROUP

ALL ENGINE PARTS MUST BE PURCHASED THROUGH AND SERVICE PERFORMED BY YOUR LOCAL ONAN DEALER.



KEY NO.	PART NO.	DESCRIPTION	KEY NO.	PART NO.	DESCRIPTION
1	142-0568	Carburetor Assembly, Complete	17	142-0282	*Spring, Idle Needle
2	142-0574	Body Assembly, Lower	18	142-0546	*Spring, Pump Diaphragm
3	142-0573	Stem Assembly	19	142-0546	Float, Choke
4	142-0534	*Shaft Assembly, Throttle	20	142-0547	Float and Lever Assembly
5	142-0525	Packing, Shaft	21	142-0548	*Shaft, Float Lever
6	142-0535	Shaft Assembly, Choke	22	142-0016	*Needle, Idle
7	142-0537	*Valve Plate Assembly	23	142-0549	Needle Assembly, Power
8	142-0538	Flt, Throttle	24	142-0550	*Gasket, "O" Ring
9	142-0584	*Screw, Flt Mounting	25	142-0551	Cover, Pump
10	142-0539	Screw, Bowl Cover Mounting	26	142-0552	*Flt, Pump Spring
11	142-0540	*Valve Plate Assembly	27	142-0553	*Valve Assembly, Float
12	142-0541	*Gasket, Flt to Diaphragm	28	142-0554	Clp, Float Valve
13	142-0542	*Gasket, Flt to Base	29	142-0571	*Gasket Set (Includes Parts Marked T)
14	142-0572	*Gasket, Stem Assembly to Base	30	142-0570	Repair Kit (Includes Parts Marked T)
15	142-0555	*Diaphragm, Pump			
16	142-0544	Spring, Throttle Stop Screw			

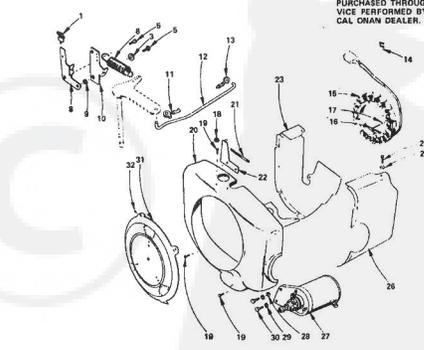
T. Included in 142-0571 Gasket Set
* Included in 142-0570 Repair Kit

REPAIR PARTS

ROPER 18T TWIN-GARDEN TRACTOR-MODEL NO. T8328AR

GOVERNOR, STARTER CHARGING ALTERNATOR AND BLOWER HOUSING GROUP

ALL ENGINE PARTS MUST BE PURCHASED THROUGH AND SERVICE PERFORMED BY YOUR LOCAL ONAN DEALER.



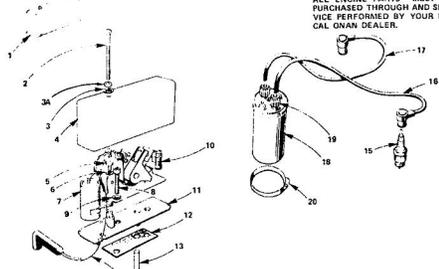
KEY NO.	PART NO.	DESCRIPTION	KEY NO.	PART NO.	DESCRIPTION
1	818-0178	Clp, Throttle Cable	19	815-0201	Screw, Hex Head Cap (1/4" - 20 x 7/16")
3	525-0214	Flat Washer (1 7/8 I.D. x 1/2 O.D. x 1/16 Thick)	20	134-3401	Housing, Blower
5	815-0436	Screw, Hex Cap - Flange Locking (1/4" - 20 x 1/2)	21	150-1418	Shell, Governor
6	150-1214	Spring, Governor	22	150-1433	Bracket, Governor Control
8	150-1343	Bracket, Governor Mounting	23	134-2885	Housing, Cylinder Air - Left
9	150-1269	Bushing Governor Control Arm, Governor Control	24	815-0290	Screw, Hex Head Cap (1/4" - 20 x 5/8")
10	150-1578	Clp, Governor Control Rod to Governor Arm	25	526-0021	Washer, Flat - Steel (1/2" x 1/2" I.D. x 3/4" O.D. x 1/16" Thick)
11	870-0278	Rod, Governor Control Rod to Governor Arm	26	134-3400	Housing, Cylinder Air - Right
12	150-1350	Rod, Governor Control	27	191-0933	Starter, 12 Volt (For Components see separate group)
13	515-0004	Clp, Governor Control Rod to Carburetor	28	526-0113	Washer, Flat - Steel (1/2" x 1/2" I.D. x 3/4" O.D. x 1/16" Thick)
14	167-0188	Clp, Alternator Lead Support	29	850-0045	Washer, Spring Lock (5/16")
15	191-1102	Stator, Charging Alternator	30	800-0078	Screw, Hex Head Cap (5/16" - 18 x 1")
16	813-0108	Screw Round Head - Steel No. 10 - 32 x 1 - 1/2"	31	134-3213	Guard, Blower Housing
18	870-0131	Nut, Hex No. 10 - 32	29	815-0278	Screw, Int. Hex Head w/ET (No. 14 x 1/2")

Click Here to upgrade to Unlimited Pages and Expanded Features

REPAIR PARTS

ROPER 18T TWIN-GARDEN TRACTOR-MODEL NO. T8328AR
ONAN ENGINE-MODEL NO. B48M-GAO18/3417A

IGNITION GROUP



ALL ENGINE PARTS MUST BE PURCHASED THROUGH AND SERVICE PERFORMED BY YOUR LOCAL ONAN DEALER.

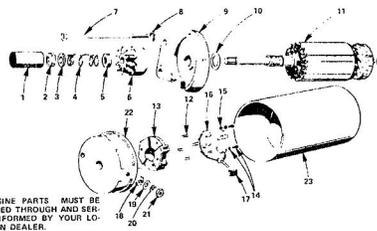
KEY NO.	PART NO.	DESCRIPTION
1	160-1210	Box Assembly, Breaker (Includes Parts Marked *)
2	812-0108	1" Screw, Machine - Round Head (No. 10 - 16 x 1 - 3/2")
3	626-0008	1" Washer, Flat (1.304" I.D. x 7/16" O.D. x 1/20" Thick)
3A	809-0055	1" Retainer, "O" Ring
4	160-1232	"Cover, Breaker Box
5	815-0358	"Screw, Tuning - Hex Head (No. 8 - 32 x 5/16")
6	850-0025	"Washer, Lock - Spring (No. 8)
7	312-0186	"Condenser, Ignition
8	802-0034	"Screw, Cap - Socket Head (1/4 - 20 x 3/4")
9	850-0038	"Washer, Lock - Spring - High Collar (1/4")
10	160-1183	"Point Assembly, Breaker
11	160-1219	"Base, Breaker Box
12	160-1150	"Gasket, Breaker Box
13	165-1151	"Plunger, Breaker Points Assembly
14	336-2132	Lead, Breaker Points to Coil
15	101-0237	Plug, Spark
16	101-1696	Cable, Spark Plug (1 1/2")
17	101-1586	Cable, Spark Plug (1 1/8")
18	166-0535	Coil, Ignition
19	166-0504	Nut, Coil Cable (Part of 166-0535 Coil)
20	800-0311	Clamp, Coil Mounting

*PARTS INCLUDED IN 160-1210 BREAKER BOX ASSEMBLY
*INCLUDED IN GASKET KIT 168-0130.
*INCLUDED IN 160-1232 COVER

REPAIR PARTS

ROPER 18T TWIN-GARDEN TRACTOR-MODEL NO. T8328AR
ONAN ENGINE-MODEL NO. B48M-GAO18/3417A

STARTER PARTS GROUP



ALL ENGINE PARTS MUST BE PURCHASED THROUGH AND SERVICE PERFORMED BY YOUR LOCAL ONAN DEALER.

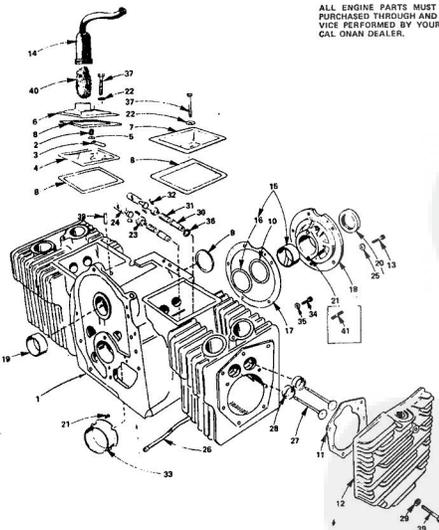
KEY NO.	PART NO.	DESCRIPTION	
1	191-0933	Starter, 12 Volt (Complete)	
2	191-1834	Cover, Dust	
3	191-1045	Nut, Stop	
4	191-1046	Washer, Stop Nut	
5	191-1035	Screw, Anti-dirt	
6	191-1047	Switch, Dust Cover	
7	191-1036	Drive Assembly	
8	191-1048	Screw, Hex Cap	
9	850-0040	Washer, Lock	
10	191-1037	Cap, Assembly, Drive End	
11	191-1038	Washer, Armature Thrust	
12	191-1039	Armature	
13	▲	1" Spring, Brush	
14	▲	1" Brush Holder	
15	▲	1" Screw and Lockwasher	
16	▲	1" Brush, Ground	
17	▲	1" Stud and Brush Assembly, Input	
18	▲	1" Bushing, Insulation - Input Stud	
19	▲	1" Washer, Insulation - Input Stud	
20	▲	1" Washer, Lock - Input Stud	
21	▲	1" Nut, Securing - Input Stud	
22	191-1040	Cap, Assembly, Commutator (Includes Parts Marked *)	
23	▲	191-1041	191-1041

▲ - Included in the 191-1040 Cap Assembly
* - Included in the 191-1041 Brush, Spring and Stud Kit.
▲ - Not Sold Separately

REPAIR PARTS

ROPER 18T TWIN-GARDEN TRACTOR-MODEL NO. T8328AR
ONAN ENGINE-MODEL NO. B48M-GAO18/3417A

CYLINDER BLOCK GROUP



ALL ENGINE PARTS MUST BE PURCHASED THROUGH AND SERVICE PERFORMED BY YOUR LOCAL ONAN DEALER.

REPAIR PARTS

ROPER 18T TWIN-GARDEN TRACTOR-MODEL NO. T8328AR
ONAN ENGINE-MODEL NO. B48M-GAO18/3417A

CYLINDER BLOCK GROUP

KEY NO.	PART NO.	DESCRIPTION	KEY NO.	PART NO.	DESCRIPTION
1	110-2621	Block Assembly, Cylinder (Includes Parts Marked I)	28		INSERT, VALVE SEAT EXHAUST
2	123-1174	Spring, Breather Valve	110-1824	IS Standard	
3	123-1175	Valve, Breather	110-1824-02	.002" Oversize	
4	123-1173	Ball, Breather	110-1824-05	.005" Oversize	
5	526-0018	Washer, Flat - Steel (17/64" I.D. x 5/8" O.D. x 1/16" Thick)	110-1824-10	.010" Oversize	
6	110-2274	Cover, Valve Compartment (L.H.)	110-1824-25	.025" Oversize	
7	110-1879	Cover, Valve Compartment (R.H.)	110-0137	IS Standard	INTAKE
8	110-1921	gasket, Valve Cover	110-0197-02	.002" Oversize	
9	517-0048	Plug, Extension - Camshaft	110-0197-05	.005" Oversize	
10	104-0776	Thin, Rear Bearing Plate (.005")	110-0197-10	.010" Oversize	
11	110-2287	gasket, Cylinder Head	110-0197-25	.025" Oversize	
12		HEAD, CYLINDER	29	526-0122	Washer, Flat - Steel (17/32" I.D. x 23/32" O.D. x 1/16" Gauge)
	110-2564	Right Side (No. 2 Cylinder)	30	110-1867	Guide, Valve
	800-2563	Left Side (No. 1 Cylinder)	31	110-0539	Spring, Valve
13	800-0051	Screw, Hex Head Cap - Steel (3/8 - 16 x 1 1/4")	32	110-0639	Lock, Valve and Spring Retainer
14	123-1277	Tube, Breather	33		BEARING, CRANKSHAFT - FRONT (FLANGED)
15		BEARING, CRANKSHAFT - REAR (INCLUDES THRUST WASHER)	101-0432	IS Standard	
	101-0450	IS Standard	101-0432-02	.002" Oversize	
	101-0450-02	.002" Oversize	101-0432-10	.010" Oversize	
	101-0450-10	.010" Oversize	101-0432-20	.020" Oversize	
	101-0450-20	.020" Oversize	101-0432-30	.030" Oversize	
	101-0450-30	.030" Oversize	34	800-0048	Screw, Hex Head Cap (3/8 - 16 x 3/4") - Cylinder Block Wet Hole
16	104-0526	1" Washer, Crankshaft Bearing Thrust	35	526-0066	Washer, Flat - Copper (25/64" I.D. x 9/16" O.D. x 1/16" O.D.)
17	101-0415	1" Gasket, Bearing Plate	36	110-0068	1" Gasket, Valve Guide (Intake)
18	101-0426	Plate, Bearing (Excludes Bearings)	37	800-0010	Screw, Hex Head Cap (1/4 - 20 x 1 - 3/4")
19	501-0465	1" Bearing, Camshaft (Proton)	38	149-1299	Tube, Fuel Pump Vacuum
20	609-0011	1" Seal, Bearing Plate	39	800-0541	5/16 - 18 x 1 1/2" SCREW, HEX HEAD CAP
21	516-0012	1" Plug, Main Bearing Stop	40	123-0866	Filter, Breather Tube
22	526-0053	Washer, Flat - Copper (17/64" I.D. x 7/16" O.D. x 1/32" Thick)	41	520-0820	Stud, Cylinder Block Wet Hole (Lower)
23	110-0893	Standard			
24	115-0006	0.005" Oversize			
25	800-0050	Washer, Lock (3/8")			
26	120-0135	1" Tube, Crankcase Oil			
27		VALVE			
	110-1808	Intake			
	110-1809	Exhaust			

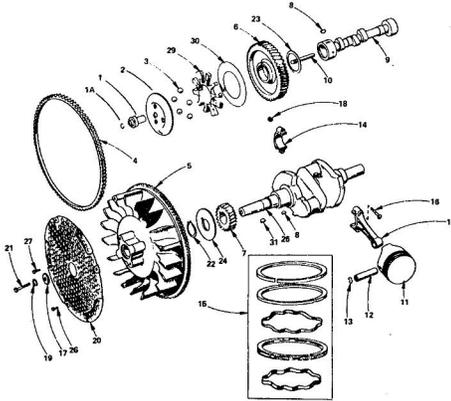
I - Included in 110-2287 Cylinder Block Assembly
* - Replacement From Flange Bearing replaces unflanged bearing and thrust washer
x - Included in Gasket Kit 168-0130

REPAIR PARTS

ROPER 18T TWIN-GARDEN TRACTOR-MODEL NO. T832BAR
ONAN ENGINE-MODEL NO. B48M-GAO18/3417A

CRANKSHAFT, FLYWHEEL, CAMSHAFT
AND PISTON GROUP

ALL ENGINE PARTS MUST BE
PURCHASED THROUGH AND SER-
VICE PERFORMED BY YOUR LO-
CAL ONAN DEALER.



REPAIR PARTS

ROPER 18T TWIN-GARDEN TRACTOR-MODEL NO. T832BAR
ONAN ENGINE-MODEL NO. B48M-GAO18/3417A

CRANKSHAFT, FLYWHEEL, CAMSHAFT
AND PISTON GROUP

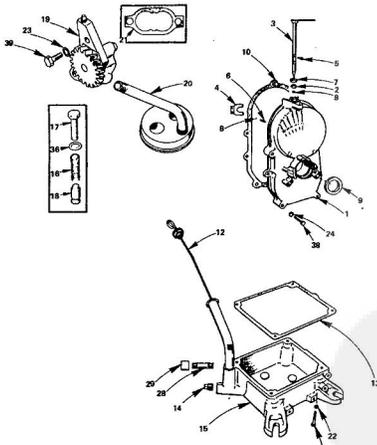
KEY NO.	PART NO.	DESCRIPTION
1	150-1510	Hub
1A	150-0028	Ring, Camshaft Center Pin
2	150-1520	Cup, Governor
3	510-0915	Ball, Fly - Governor
4	104-0779	Gear, Ring - Flywheel
5	134-2096	Flywheel (Includes Ring Gear and Magnet Ring)
6	106-0332	Gear, Camshaft (Includes Flyball Spacer and Plate)
7	104-0023	Gear, Crankshaft
8	515-0001	Key (1/2" Diameter x 1/8")
9	105-0402	Camshaft (Includes Center Pin)
10	150-0075	Pin, Camshaft Center
11		PISTON AND PIN (INCLUDES RE-TAINING RINGS)
	112-0151	Standard
	112-0151-05	005" Overize
	112-0151-10	010" Overize
	112-0151-20	020" Overize
	112-0151-30	030" Overize
	112-0151-40	040" Overize
12	112-0122	Pin, Piston
13	518-0311	Ring, Piston Pin Retaining
14		ROD ASSEMBLY, CONNECTING
	114-0267	Standard
	114-0267-10	010" Overize
	114-0267-20	020" Overize
	114-0267-30	030" Overize
15		RING SET, PISTON
	113-0189	Standard
	113-0189-05	005" Overize
	113-0189-10	010" Overize
	113-0189-20	020" Overize
	113-0189-30	030" Overize
	113-0189-40	040" Overize
16	114-0240	Bolt, Special - Connecting Rod
17	525-0017	Washer, Flat Steel (10/32" I.D. x 1-1/4" O.D. x 1/4" Thick)
18	870-0302	Nut, Locking (5/16 - 24)
19	850-0056	Washer, Spring Lock (17/16")
20	134-3008	Guard, Flywheel
21	104-0170	Screw, Hex Head Cap (17/16 - 14 x 4")
22	518-0014	Ring, Retaining - Crankshaft Gear Washer
23	105-0004	Washer, Camshaft Gear Thrust
24	104-0042	Washer, Crankshaft Gear Retainer
25	104-0986	Crankshaft
26	815-0002	Machine Screw, Truss Head
27	821-0014	Screw, Hex Head Cap, Locking (5/16 - 18 x 1/2")
28	150-1257	Spacer, Governor Flywheel
29	150-0077	Plate, Governor Flyball
31	515-0027	Key, Kit

REPAIR PARTS

ROPER 18T TWIN-GARDEN TRACTOR-MODEL NO. T832BAR
ONAN ENGINE-MODEL NO. B48M-GAO18/3417A

GEAR COVER, OIL BASE AND
OIL PUMP GROUP

ALL ENGINE PARTS MUST BE
PURCHASED THROUGH AND SER-
VICE PERFORMED BY YOUR LO-
CAL ONAN DEALER.



REPAIR PARTS

ROPER 18T TWIN-GARDEN TRACTOR-MODEL NO. T832BAR
ONAN ENGINE-MODEL NO. B48M-GAO18/3417A

GEAR COVER, OIL BASE
AND OIL PUMP GROUP

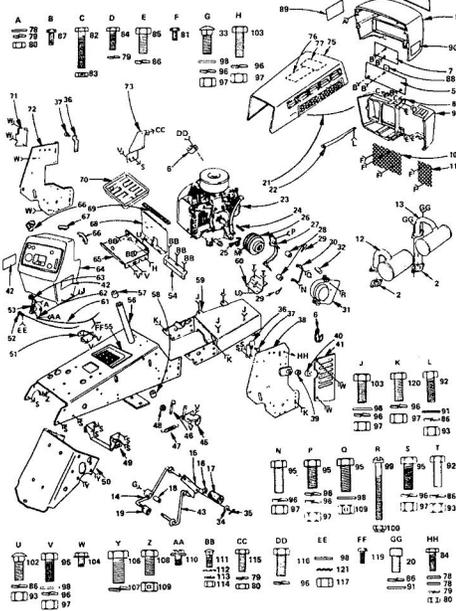
KEY NO.	PART NO.	DESCRIPTION
1	103-0493	Cover, Assembly, Gear (Includes Parts Max. 1/2")
2	510-0105	*Bearing, Governor Shaft
3	150-1470	*Shaft and Arm Assembly, Governor
4	150-1187	*Yoke, Governor Shaft
5	815-0045	*Screw, Yoke Retaining
6	516-0130	*Pin, Governor Cup Stop
7	509-0009	*Spool, Oil - Governor Shaft
8	510-0014	*Ball, Bearing - Governor Shaft
9	309-0040	*Seal, Cover Cover
10	103-0405	*Gasket, Gear Cover
12	123-1292	Cap and Indicator, Oil Fill
13	103-0033	Gasket, Oil Base Mounting
14	505-0056	Plug, Oil Drain
15		BASE, OIL
	102-0741	For Engines With Extended Oil Drain
16	120-0140	Spring, Oil By-Pass Valve
17	801-0050	Screw, Hex Head Cap (3/8 - 24 x 1") - Oil By-Pass Valve
18	120-0398	Valve, Oil By-Pass
19	120-0481	Pump, Oil - Complete (NOTE: Internal parts not sold separately)
20	120-0713	Intake, Oil Pump (Includes: Cup, Screen and Pipe)
21	120-0161	Gasket, Kit, Oil Pump
22	850-0050	Washer, Spring Lock (3/8")
23	850-0049	Washer, Spring Lock (1/4")
24	526-0056	Washer, Flat - Copper (21/64" I.D. x 9/16" O.D. x 1/16" Thick)
28	505-0178	Nipple, Pipe - Oil Drain (1/2 x 3/4")
29	505-0158	Cap, Pipe (1/2")
36	526-0056	Washer, Flat - Copper (25/64" I.D. x 9/16" O.D. x 1/16" Thick) - By-Pass Valve
37	800-0056	Screw, Hex Head Cap (3/8 - 16 x 2 - 1/2")
38	800-0032	Screw, Hex Head Cap (5/16 - 18 x 1 - 3/4") - Gear Cover Mounting
38	800-0545	Screw, Hex Head Cap (5/16 - 18 x 2 - 3/4") - Gear Cover Mounting
39	800-0007	Screw, Hex Head Cap (1/4 - 20 x 1")

* Included in Gear Cover Assembly.
* Included in Gasket Kit, page 29.

REPAIR PARTS

ROPER 18T TWIN-GARDEN TRACTOR-MODEL NO. T3282BR

MAIN FRAME, DASH AND GRILL



REPAIR PARTS

ROPER 18T TWIN-GARDEN TRACTOR-MODEL NO. T3282BR

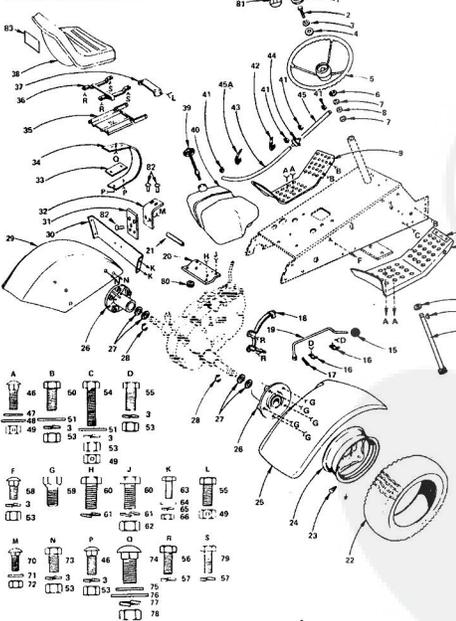
MAIN FRAME, DASH AND GRILL

KEY NO.	PART NO.	DESCRIPTION	KEY NO.	PART NO.	DESCRIPTION	
1	8112	Grill - Upper	68	107J	Battery Heat Shield	
2	878J	Gasket - Exhaust Manifold	69	7814H	Hood Seal	
3	845J	Decal - Grill	70	8655R	Battery Tray	
4	2911	Grill - Panel - Lower	71	86J	Cover - L.H.	
5	2751R	Wire-Clip	72	113J	Bracket - Battery Support - L.H.	
6	290J	Grill Panel - Upper	73	1181J	Bracket - Rectifier	
7	290J	Grill - Lower	74	63A4007	Hood Assy.	
8	7931R	Grill - Side	75	8028R	Decal - Instruction	
9	7931R	Grill - Screen - L.H.	76	8681R	Decal - Wiring	
10	2874R	Grill Screen - R.H.	77	1568P	"Washer 5/32 x 5/8 x 1/8 Gr.	
11	2874R	Muffler - Rear	78	1002P	"Lockwasher 1/4"	
12	105J	Muffler - Front	79	802P	"Hex Nut 1/4 - 20 UNC	
13	104J	Flange	80	5501P	"Phillips Pan Hd. Tho. Self Tap. 10 - 18 Hx Lo. Thrd. x 1/2 Blunt Point	
14	834A001	Line	81	3267P	"Hex Bolt 1/4 - 20 x 1 - 1/2 Grade 5	
15	89J	Push-On Nut	82	1605H	Locknut 1/4 - 20 UNC	
16	92J	Rubber Pad	83	3003P	"Hex Bolt 1/4 - 20 x 3/4	
17	93J	Pivot Spacer	84	3010P	"Hex Bolt 5/16 - 18 x 3/4	
18	91J	Foot Pedal	85	1003P	"Lockwasher 5/16"	
19	2866P	Soc. Hd. Cap Screw 5/16 - 18 x 3/4	86	8554P	"Phillips Pan Hd. Tho. Self Tap. 10 - 18 Hx Lo. Thrd. x 1/2 Blunt Point	
20	2866P	Grill Bumper	87	1590J	Mounting Clip	
21	8058R	Engine, Onan 18 H.P.	88	1691J	Decal - Grill - R.H.	
22	875J	Cap (A018)2500	89	1537P	"Washer 11/32 x 11/16 x 1/8 Gr.	
23	8396E	Sq. Key 1/4 x 2	90	3011P	"Hex Bolt 5/16 - 18 x 1"	
24	8245R	Belt Retainer Finger	91	504P	"Hex Nut 3/8 - 18 UNC	
25	834A104	Engine Pulley w/Gat Screws	92	4540P	Hex Forged Socket Hd. Sct Screw	
26	834A222	Belt Guide Weldment	93	3033P	C.B. G. - 18 x 1 1/2 Nylok	
27	8704M1	Spacer	94	1004P	"Lockwasher 3/8"	
28	4639A	Retainer Spring	95	801P	"Hex Nut 3/8 - 18 UNC	
29	8011H	Belt Guard Weldment	96	1527P	Washer 13/32 x 13/16 x 11 Gr.	
30	8246G	Split Spacer	97	3164P	"Hex Bolt 1/4 - 20 x 1/4"	
31	50P	Sq. Neck Carriage Bolt 3/8 - 16 x 2 - 1/4	98	100	247H	Head Locknut 1/4 - 20 UNC
32	8298H	Split Washer	99	102	61P	"Sq. Neck Carriage Bolt - Short Shoulder 3/8 - 18 x 1 Gr. 5"
33	50P	Sq. Neck Carriage Bolt 1/2 - 16 x 2 - 1/4	100	3035P	"Lockwasher 7/16"	
34	1545P	Washer 17/32 x 1 x 1/8 Gr.	101	3021P	"Hex Bolt 3/8 - 18 x 3/4"	
35	2506P	Cotter Pin 1/8 x 1	102	100	834H1	Locknut 3/8 - 18 UNC
36	834A002	Head Locknut	103	100	834H2	Hex Sct. Hd. Machine Screw w/Dama Int. Tooth Lockwasher 10 - 22 x 1/4
37	8467R	Support Bumper	104	111	83P	Sq. Neck Carriage Bolt 10 - 24 x 1/4
38	834A003	Battery Support Bracket (Inc. Key 39)	105	100B	"Lockwasher No. 10"	
39	7754R	Bearing	106	802P	"Hex Nut 3/8 - 18 x 3/4"	
40	9006R	Cover - R.H.	107	100	834H3	Locknut 3/8 - 18 UNC
41	7729R	Model Decal - Side of Dash	108	3035P	"Hex Sct. Hd. Machine Screw w/Dama Int. Tooth Lockwasher 10 - 22 x 1/4	
42	287J	Model Decal - Side of Dash	109	111	83P	Sq. Neck Carriage Bolt 10 - 24 x 1/4
43	834A002	Lower Weldment - L.H., Front	110	1528P	"Washer 7/32 x 7/16 x 1/8 Gr.	
44	834A785	Hanger Weldment - R.H., Front	111	100B	"Lockwasher No. 10"	
45	7944R	Roller Tension Arm	112	802P	"Hex Nut 3/8 - 18 x 3/4"	
46	7948R	Return Spring	113	3114P	"Hex Bolt 1/4 - 20 x 1/2"	
47	810H	Locknut 3/8 - 24 UNF	114	3222P	"Hex Nut 3/8 - 18 x 7/8"	
48	834A014	Hanger Weldment - Rear	115	61P	"Hex Nut 3/8 - 24 UNF	
49	834A014	Hanger Weldment - Front	116	5662P	"Ottos Pan Hd. Self Tap. Screw No. 8 x 3/4 Type A9	
50	834A787	Drawer and Weldment	117	3025P	"Hex Bolt 3/8 - 16 x 1 - 1/4 Gr. 5 Int. Tooth Lockwasher - 3/8"	
51	834A026	Choke Control	120	3025P	"Hex Bolt 3/8 - 16 x 1 - 1/4 Gr. 5 Int. Tooth Lockwasher - 3/8"	
52	7931R	Choke Control	121	3025P	"Hex Bolt 3/8 - 16 x 1 - 1/4 Gr. 5 Int. Tooth Lockwasher - 3/8"	
53	1518J	Throttle Control (Inc. Key 61, 62 & 63)	122	3025P	"Hex Bolt 3/8 - 16 x 1 - 1/4 Gr. 5 Int. Tooth Lockwasher - 3/8"	
54	87J	Adaptor Bar	123	3025P	"Hex Bolt 3/8 - 16 x 1 - 1/4 Gr. 5 Int. Tooth Lockwasher - 3/8"	
55	1550J	Decal (Bolt Pattern)	124	3025P	"Hex Bolt 3/8 - 16 x 1 - 1/4 Gr. 5 Int. Tooth Lockwasher - 3/8"	
56	834A888	Chassis Ass'y. (Inc. Key 67 & 68)	125	3025P	"Hex Bolt 3/8 - 16 x 1 - 1/4 Gr. 5 Int. Tooth Lockwasher - 3/8"	
57	4688R	Bearing	126	3025P	"Hex Bolt 3/8 - 16 x 1 - 1/4 Gr. 5 Int. Tooth Lockwasher - 3/8"	
58	4768R	Bearing	127	3025P	"Hex Bolt 3/8 - 16 x 1 - 1/4 Gr. 5 Int. Tooth Lockwasher - 3/8"	
59	834A006	Engine Mount Ass'y.	128	3025P	"Hex Bolt 3/8 - 16 x 1 - 1/4 Gr. 5 Int. Tooth Lockwasher - 3/8"	
60	88J	Throttle Wire and Casing	129	3025P	"Hex Bolt 3/8 - 16 x 1 - 1/4 Gr. 5 Int. Tooth Lockwasher - 3/8"	
61	9003R	Clamp	130	3025P	"Hex Bolt 3/8 - 16 x 1 - 1/4 Gr. 5 Int. Tooth Lockwasher - 3/8"	
62	834A093	Throttle Control Lever	131	3025P	"Hex Bolt 3/8 - 16 x 1 - 1/4 Gr. 5 Int. Tooth Lockwasher - 3/8"	
63	1550J	Decal (Inc. Key No's. 66 and 67)	132	3025P	"Hex Bolt 3/8 - 16 x 1 - 1/4 Gr. 5 Int. Tooth Lockwasher - 3/8"	
64	834A093	Dashboard (Inc. Key No's. 66 and 67)	133	3025P	"Hex Bolt 3/8 - 16 x 1 - 1/4 Gr. 5 Int. Tooth Lockwasher - 3/8"	
65	106J	Battery Support	134	3025P	"Hex Bolt 3/8 - 16 x 1 - 1/4 Gr. 5 Int. Tooth Lockwasher - 3/8"	
66	108R	Clip - Dashboard	135	3025P	"Hex Bolt 3/8 - 16 x 1 - 1/4 Gr. 5 Int. Tooth Lockwasher - 3/8"	
67	8511R	Clip - Dashboard, Center	136	3025P	"Hex Bolt 3/8 - 16 x 1 - 1/4 Gr. 5 Int. Tooth Lockwasher - 3/8"	

REPAIR PARTS

ROPER 18T TWIN-GARDEN TRACTOR-MODEL NO. T3282BR

STEERING AND FINAL DRIVE



REPAIR PARTS

ROPER 18T TWIN-GARDEN TRACTOR-MODEL NO. T3282BR

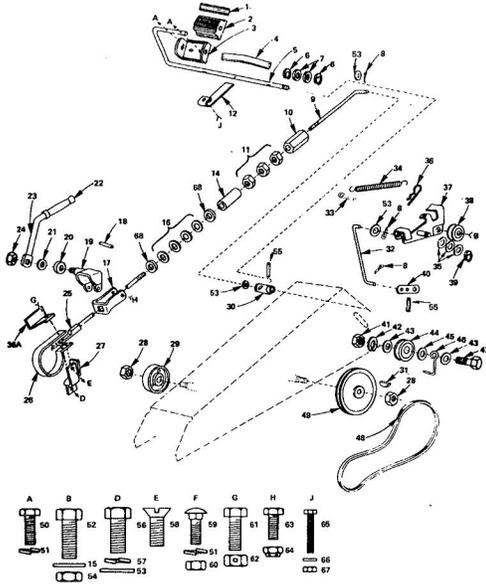
STEERING AND FINAL DRIVE

KEY NO.	PART NO.	DESCRIPTION	KEY NO.	PART NO.	DESCRIPTION
1	9279R	Steering Wheel Insert	46	61P	Sq. Nt. Sht. Car. Bolt 3/8 - 16 x 1 Gr. 5
2	3025P	"Hex Bolt 3/8 - 16 x 1"	47	1533P	"Washer 13/32 x 13/16 x 1/8 Gr.
3	1004P	"Lockwasher 3/8"	48	1539P	"Washer 15/32 x 1 x 1/2 Gr.
4	1505P	Washer 7/16 x 1 x 10 Gr.	49	5394H	Locknut 3/8 UNC
5	3044R	Steering Wheel	50	3025P	"Hex Bolt 3/8 - 16 x 1 - 1/4"
6	5003P	S-Ring	51	1557P	Washer 13/32 x 13/16 x 11 Gr.
7	9007H	Cap	52	501P	"Hex Nut 3/8 - 16 UNC
8	5049H	Rubber Bushing	53	3027P	"Hex Bolt 3/8 - 16 x 1 - 1/2"
9	3903R	Foot Rest - L.H.	54	3027P	"Hex Bolt 3/8 - 16 x 1 - 1/2"
10	8000R	Decal (Attach. Clutch)	55	3022P	"Hex Bolt 3/8 - 16 x 7/8"
11	9000R	Foot Rest - R.H.	56	3010P	"Hex Bolt 5/16 - 18 x 3/4"
12	1553P	Washer 5/8 x 1 - 1/4 x 18 Gr.	57	1003P	"Lockwasher 5/16"
13	8658M1	Wardell Key 3/16 x 5/8	58	19P	"Sq. Neck Carriage Bolt 3/8 - 16 x 3/4"
14	834A026	Steering Shaft and Pinion	59	1304H	Hub Bolt
15	8304H	Control Knob	60	3004P	"Hex Bolt 7/16 - 14 x 1"
16	6442H	Shift Rod Bracket	61	1001P	"Lockwasher 7/16"
17	2511P	Cotter Pin 3/16 x 1	62	500P	"Hex Nut 7/16 - 14 UNC
18	834A22A	Range Bolt Rod	63	3003P	"Hex Nut 1/4 - 20 x 3/4"
19	8471H	Ball Guide	64	1508P	"Washer 9/32 x 5/8 x 18 Gr.
20	9554R	Transmission Bracket	65	1002P	"Lockwasher 1/4"
21	8074R	Seat Stop	66	803P	"Hex Nut 1/4 - 20 UNC
22	4607R	Rear Tire 23 x 10.50 - 12	67	6P	"Short Shoulder Sq. Neck Carriage Bolt 5/16 - 18 x 3/4"
23	785R	Tire Valve	68	1533P	"Washer 11/32 x 11/16 x 1/8 Gr.
24	3638R	Rear Wheel 12 x 7 JA	69	1685H	"Lock Nut 5/16 - 18 UNC
25	8428R	Fender - R.H.	70	3021P	"Hex Bolt 3/8 - 16 x 3/4"
26	834A022	Wheel Hub - Rear	71	52P	"Carriage Bolt 1/2 - 13 x 1 - 1/4 Gr. 5"
27	7552R	Axle Thrust Washer	72	1578P	"Washer 3/4 x 1 - 1/8 x 11 Gr.
28	5848R	Retaining Ring	73	1500P	"Stamer 1/32 x 1 - 1/2 x 11 Gr.
29	8427R	Fender - L.H.	74	1009P	"Lockwasher 1/2"
30	2066R	Bracket - Tail Light	75	500P	"Hex Nut 1/2 - 13 UNC
31	125J	Seat Stop Bracket	76	1500P	"Lockwasher 1/2"
32	126J	Fuel Tank Retainer	77	3164P	"Hex Nut 1/2 - 13 UNC
33	8141H	Seat Spring Reinforcement	78	500P	"Hex Bolt 5/16 - 18 x 7/8"
34	7894R	Seat Spring	79	9547H	Hubner Grommet
35	834A776	Seat Plate Weldment	80	235J	Steering Wheel Decal
36	834A529	Seat Bracket Weldment	81	124J	Rubber Bumper
37	1891R	Bracket - Seat Pivot	82	245J	Decal
38	9744R	Seat	83	1823J	Warranty Fact Tag
39	225J	Fuel Gauge	84	1814J	Owner's Manual
40	7885R	Fuel Tank	85	1823J	Warranty Fact Tag
41	8999R	Fuel Line Gauge	86	1814J	Owner's Manual
42	2751R	Clip - Fuel Line	87	1823J	Warranty Fact Tag
43	7831R	Fuel Line (Long)	88	1814J	Owner's Manual
44	290J	In-Line Filter	89	1823J	Warranty Fact Tag
45	7833R	Fuel Line (Short)	90	1814J	Owner's Manual
46A	3907R	Clip - Fuel Line	91	1823J	Warranty Fact Tag

REPAIR PARTS

ROPER 18T TWIN-GARDEN TRACTOR-MODEL NO. T8328BR

BRAKE AND CLUTCH



REPAIR PARTS

ROPER 18T TWIN-GARDEN TRACTOR-MODEL NO. T8328BR

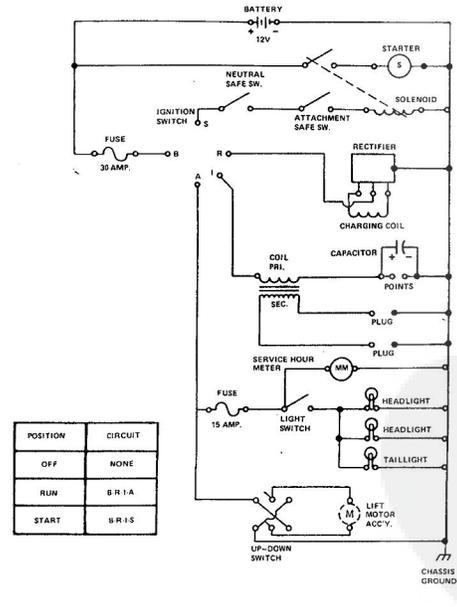
BRAKE AND CLUTCH

KEY NO.	PART NO.	DESCRIPTION	KEY NO.	PART NO.	DESCRIPTION
1	8999R	Insert Clutch Brake	37	634A75A	Idle Bracket Weldment
2	882R	Foot Pedal	38	8630H	Idle
3	8765H	Foot Pedal Bracket	39	5002P	E-Ring
4	9028H	Spring	40	634A896	Steering Arm Assembly
5	111J	Spring	41	580P	Hex Nut 7/16 - 14 UNC
6	5001P	E-Ring	42	1001P	Lockwasher 7/16
7	1527P	Washer 21/32 x 7/8 x 16 Ga.	43	1544P	Washer 15/32 x 15/16 x 16 Ga.
8	2505P	Cotter Pin 1/8 x 3/4	44	6632H	Flat Ider
9	2201R	Brake Rod - Front	45	1502P	Washer 15/32 x 15/16 x 11 Ga.
10	6417H	Lumbracket	46	6479H1	Ball Finger
11	501P	*Hex Nut 3/8 - 16 UNC	47	2262P	Hex Bolt 7/16 - 14 x 2 - 1/2
12	7922R	Safety Start Actuator	48	2622R	V-Bolt
14	2201R	Brake Rod - Front	49	6461H2	Pulley, Transmission
15	1557P	Washer 13/32 x 13/16 x 11 Ga.	50	3002P	Hex Bolt 1/4 - 20 x 3/4
16	7262P	Sprng Washer	51	1002P	*Lockwasher 1/4
17	9666R	Parking Brake Yoke	52	2022P	*Fin. Hex Bolt 3/8 - 24 x 1
18	175H	Roll Pin	53	1513P	Washer 15/32 x 13/16 x 18 Ga.
19	634A887	Lock Bracket Assembly	54	548P	*Hex Jam Nut 3/8 - 24 UNF
20	2221R	Parking Brake Spacer	55	5142H	Roll Pin
21	5959H	Sprng Washer	56	3022P	Hex Bolt 3/8 - 16 x 7/8
22	4319H	Handle Grip	57	1004P	*Lockwasher 3/8
23	634A341	Parking Lock Handle Assembly	58	3164P	Fin. Hex Machine Screw - Undercut 3/8 - 16 x 3/4
24	7810H	Grnpco Centerlock Nut 3/8 - 24 UNF	59	111P	Sq. Neck Carriage Bolt 1/4 - 20 x 5/8
25	634A365	Brake Band and Lining	60	502P	*Lockwasher 5/16
26	673A211	Brake Bracket Assembly	61	3156P	Hex Bolt 5/16 - 18 x 7/8
27	834A168	Brake Bracket Assembly	62	1885H	Lockwasher 5/16
28	9204H	Lock Nut 1/2 - 20 UNC	63	3244P	Hex Bolt 1/4 - 28 x 5/8 Gr. 5
29	214J	Brake Drum	64	9071H	Washer 5/32 x 3/8 x 20 UNF
30	634A699	Brake Arm Assembly	65	3326P	Hex Hd. Mach. Screw 6 - 32 x 1
31	9858M1	Woodruff Key	66	1567P	Washer 5/32 x 3/8 x 20 Ga.
32	2514P	Cotter Pin 1/4 x 1	67	562P	Centerlock Nut 5/8 - 32 UNC
33	6486R	Churn Rod	68	1602P	Washer 13/32 x 5/8 x 11 Ga.
34	1587P	*Washer 17/32 x 1 - 1/16 x 21 Ga.			
35	4839H	Retainer Spring			
36A	544J	Hose Shield			

REPAIR PARTS

ROPER 18T TWIN-GARDEN TRACTOR-MODEL NO. T8328BR

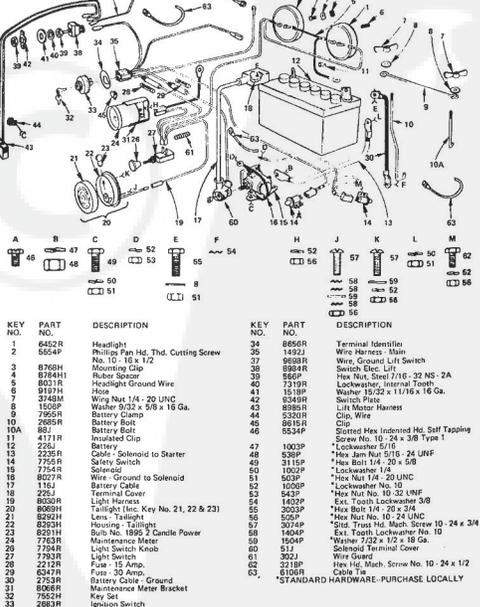
SCHEMATIC DIAGRAM



REPAIR PARTS

ROPER 18T TWIN-GARDEN TRACTOR-MODEL NO. T8328BR

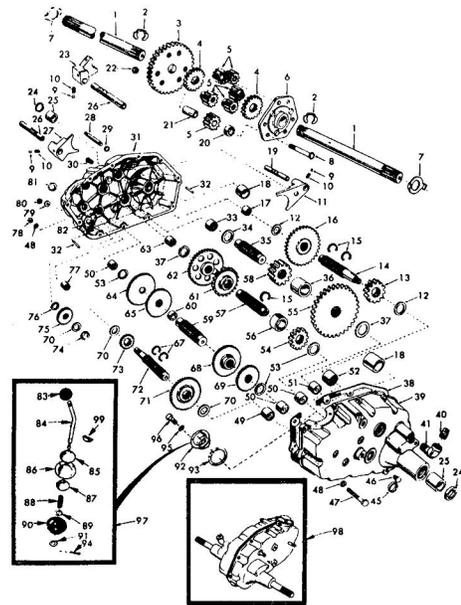
ELECTRICAL



REPAIR PARTS

ROPER 18T TWIN-GARDEN TRACTOR-MODEL NO. T8328BR

TRANSAXLE



REPAIR PARTS

ROPER 18T TWIN-GARDEN TRACTOR-MODEL NO. T8328BR

TRANSAXLE

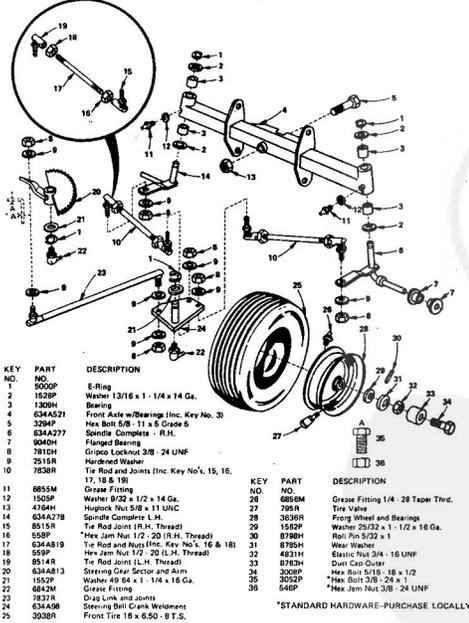
KEY NO.	PART NO.	DESCRIPTION	KEY NO.	PART NO.	DESCRIPTION
1	4197R	Axle Shaft	49	4895H	Needle Bearing
2	5869R	Retaining Ring	50	4222R	Needle Bearing
3	4199R	Final Drive Gear	51	1207H	Needle Bearing
4	4216R	Differential Gear	52	8119M	Needle Bearing
5	4216R	Differential Pinion	53	4220R	Thrust Bearing Race
6	4217R	Differential Carrier	54	4209R	3rd Reduction Pinion - Low
7	6264R	Axle Thrust Washer	55	4213R	4th Reduction Gear
8	3056P	Hex Bolt 3/8" - 24 UNF x 3 - 1/4" (17" Thread Length)	56	4442R	3rd Reduction Pinion Spacer
9	7392M	Steel Ball	57	4199R	2nd Reduction Gear Shaft
10	6272H	Spring Shift Fork Detent	58	6447R	Final Drive Pinion
11	6968R	Shift Fork - High - Low Range	59	4194R	1st Reduction Gear Shaft
12	6266H	Thrust Bearing Race	60	7328R	1st Reduction Shaft Spacer
13	4212R	4th Reduction Pinion	61	4208R	3rd Reduction Pinion - High
14	4198R	3rd Reduction Gear Shaft	62	4207R	2nd Reduction Gear
15	6276H	Snap Ring - Craxent Type	63	7385H	Needle Bearing
16	633A63	High - Low Range Gears	64	4203R	Low Speed Gear and 2nd Reduction Pinion Cluster
17	8118M	Needle Bearing	65	4204R	Reverse Gear
18	8740H1	Sintered Iron Bearing	67	4828H	Snap Ring - Craxent Type
19	6271H	Shift Fork Shaft, High - Low Range	68	4206R	Intermediate Speed Gear
20	4218R	Differential Pinion Spacer	69	4206R	High Speed Gear
21	6252H1	Differential Pinion Bushing	70	1202H	Thrust Bearing Race
22	7810H	Gilco Centerlock Hex 3/8" - 24 UNF	71	633A69	Intermediate and High Speed Cluster Pinions
23	4868R	Shift Fork - L.H.	72	4193R	Input Shaft
24	7393R	Oil Seal	73	4201R	Low Speed Pinion
25	8927R1	Sintered Iron Bearing	74	5001P	E-Ring
26	6216H	Shift Fork - R.H.	75	1153R	Reverse Idler Gear
27	6262H1	Shift Fork - R.H.	76	7292H	Reverse Idler Thrust Washer
28	6215H1	Shift Fork - High - Low Range	77	5629H	Needle Bearing
29	6269H	Oil Seal	78	6047R	Hex Nut 5/16" - 18 UNC
30	5855H	Pressure Relief Valve	79	1167R	Sealing Washer
31	633A65	Gearcase, Reverse Idler Shaft and Bearings - R.H. (Inc. Key No. 1, 17, 18, 25, 23, 50, 53, 76, 77 and 82)	80	641P	Hex Jam Nut 7/16" - 20 UNF
32	6277H	Dowel Pin	81	6270H	Oil Seal
33	4223R	Needle Bearing	82	7384H	Reverse Idler Shaft
34	7388R	Thrust Bearing Race	83	6354H	Control Knob
35	4198R	4th Reduction Gear Shaft	84	6511R	Gear Shift Lever - Bent
36	4200R	4th Reduction Gear Spacer	85	9013R	Gear Shift Cap
37	7385H	Thrust Bearing Race	86	633A65	Gear Shift Ball Cover and Pin
38	6275H	Gearcase Gasket	87	8729H1	Ball Lever Guide Ball - Keyed
39	633A64	Gearcase and Bearings - L.H. (Inc. Key No. 1, 18, 25, 43, 50 (2), 51 and 52)	88	4924H	Spring
40	4002P	Pin Plug 1/2" - 14 N.P.T.	89	8105R	Shift Mechanism Shaft
41	4003P	Pin Plug 9/16" - 12 N.P.T.	90	7489R	Washer 8/16 x 15/16 x 11 Ga.
42	8211H	Oil Seal	91	8274H	Gear Shift Gear
43	4001P	Pin Plug 1/4" - 18 N.P.T.	94	2205P	Lockwasher 5/16
44	3087P	*Hex Bolt 5/16" - 18 x 1 - 1/2" Grade 5	95	3159P	Lockwasher 5/16
45	1007P	Lockwasher 5/16 Extra Heavy	96	633A62	Hex Bolt 5/16" - 18 UNC x 7/8"
			97	633A78	Transaxle Assembly Lens Brake Drum
			98	7835M	*Shift Lever
			99	7835M	Woodruff Key 1/8" x 1/2"

*STANDARD HARDWARE-PURCHASE LOCALLY

REPAIR PARTS

ROPER 18T TWIN-GARDEN TRACTOR-MODEL NO. T8328BR

FRONT AXLE

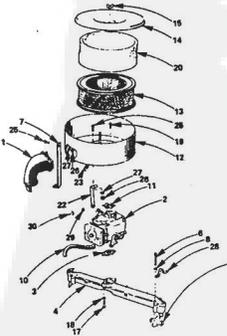


REPAIR PARTS

ROPER 18T TWIN-GARDEN TRACTOR-MODEL NO. T8328BR
ONAN ENGINE-MODEL NO. B49M-GAD18/5560A

FUEL SYSTEM GROUP

ALL PARTS MUST BE PURCHASED THROUGH AND SERVICE PERFORMED BY YOUR LOCAL ONAN DEALER.



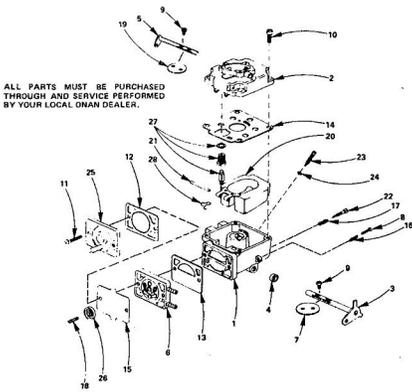
KEY NO.	PART NO.	DESCRIPTION	KEY NO.	PART NO.	DESCRIPTION
1	140-1169	Tube, Air Intake (Air Cleaner to Blower Housing)	15	865-0020	Nut, Wing - Air Cleaner (1/4" - 20)
2	142-0568	Tube, Carburetor (with Integral Fuel Pump)	17	800-0023	Screw, Hex Head Cap (1/4" - 20 x 1-3/8")
3	145-0438	Clacket, Carburetor Mounting	18	860-0040	Washer, Staking Lock (1/4")
4	154-1468	Manifold, Intake	19	815-0483	Screw, Round Head with Nylon Seal (No. 10 - 32 x 5/8")
5	800-0033	Screw, Hex Head Cap 5/16" - 18 x 2	20	140-1213	Washer, Air Cleaner Support (No. 10 - 32 x 5/8")
6	800-0034	Screw, Hex Head Cap 5/16" - 18 x 2 - 1/4	21	518-0028	Clacket, Air Cleaner Support
7	140-1198	Support, Air Cleaner	22	800-0023	Screw, Hex Head Cap (1/4" - 20 x 1/2")
8	850-0045	Washer, Spring Lock (5/16")	23	862-0001	Nut, Hex (1/4" - 20)
9	503-0740	Flow, Fuel Pump Vacuum	24	853-0013	Washer, Lock - ET (1/4")
10	140-1215	"Gasket, Air Cleaner Mfg.	25	423-1480	Bracket, Lifting
11	140-1215	"Gasket, Air Cleaner Mfg.	26	854-0275	Washer, Lock - IT (5/16")
12	140-1213	Housing, Air Cleaner	30	870-0275	Nut, Hex (7/16" - 14)
13	140-1218	Blower, Air Cleaner			
14	140-1168	Cover, Air Cleaner			

* See repair manual for dimensions.
* Included in Gasket Kit, page 29.

REPAIR PARTS

ROPER 18T TWIN-GARDEN TRACTOR-MODEL NO. T8328BR
ONAN ENGINE-MODEL NO. B48M-GA018/3560A

CARBURETOR PARTS GROUP



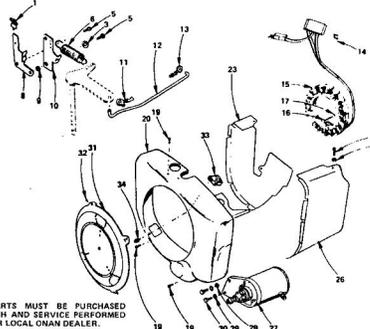
ALL PARTS MUST BE PURCHASED THROUGH AND SERVICE PERFORMED BY YOUR LOCAL ONAN DEALER.

KEY NO.	PART NO.	DESCRIPTION	KEY NO.	PART NO.	DESCRIPTION
1	1420568	Carburetor Assembly, Complete	17	1420282	*Spring, Idle Needle
2	1420574	Body Assembly, Lower	18	1420546	*Spring, Pump Diaphragm
3	1420573	Sleeve Assembly	19	1420548	Fly, Choke
4	1420534	*Shaft Assembly, Throttle	20	1420547	Float and Lever Assembly
5	1420535	*Washing, Shaft	21	1420540	*Shaft, Float Lever
6	1420536	*Shaft Assembly, Choke	22	1420018	*Needle, Idle
7	1420537	*Valve Float Assembly	23	1420549	Needle Assembly, Power
8	1420064	Screw, Throttle Stop	24	1420550	*Gasket, "O" Ring
9	1420334	Screw, Fly Mounting	25	1420551	Cover, Pump
10	1420539	Screw, Bowl Cover Mounting	26	1420552	*Hose, Pump Spring
11	1420540	Screw, Pump Cover	27	1420553	*Valve Assembly, Float
12	1420541	*Gasket, Hose to Diaphragm	28	1420554	Clip, Float Valve
13	1420542	*Gasket, Plate to Base	1420571	*Gasket Set (Includes Parts Marked *)	
14	1420572	*Gasket, Sover Assembly to Base	1420570	Repair Kit (Includes Parts Marked *)	
15	1420555	*Diaphragm, Pump			
16	1420544	Spring, Throttle Stop Screw			

REPAIR PARTS

ROPER 18T TWIN-GARDEN TRACTOR-MODEL NO. T8328BR
ONAN ENGINE-MODEL NO. B48M-GA018/3560A

GOVERNOR, STARTER, CHARGING ALTERNATOR AND BLOWER HOUSING GROUP



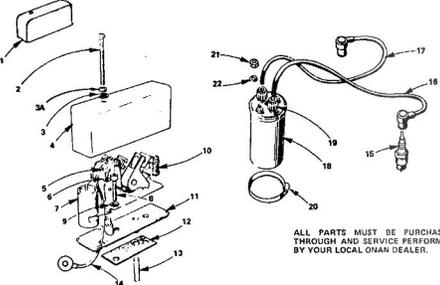
ALL PARTS MUST BE PURCHASED THROUGH AND SERVICE PERFORMED BY YOUR LOCAL ONAN DEALER.

KEY NO.	PART NO.	DESCRIPTION	KEY NO.	PART NO.	DESCRIPTION
1	1530514	Clip, Throttle Cable	19	8150261	Screw, Hex Head Cap (1/4" x 3/16")
3	5550014	Flat Washer 1/2"x1.0" x 1/2" x 1/16"	20	134-3749	Housing, Blower
5	8150438	Screw, Hex Cap - Flange Locking (1/4" x 20 x 1/2)	22	134-2889	Housing, Cylinder Air - Left
6	150-1214	Bracket, Governor Mounting	24	8150250	Screw, Hex Head Cap (1/4" x 20 x 3/4" O.D. x 1/16" Thick)
8	150-1725	Spring, Governor	25	5260021	Washer, Flat Steel (1/2"x1/2" x 3/4" O.D. x 1/16" Thick)
9	150-1209	Bushing, Governor Control Arm, Governor Control	26	134-3400	Housing, Cylinder Air - Right
10	150-1576	Clip, Governor Control Rod to Governor Arm	27	1910933	Starter, 12 Volt (For Components see separate group)
11	870-0778	Rod, Governor Control	28	5260113	Washer, Flat Steel (1/2"x1/2" x 1" O.D. x 3/32" Thick)
12	150-1350	Clip, Governor Control Rod to Carburetor	29	8500045	Washer, Spring Lock (5/16" x 5/16" x 1/8 x 1")
13	518-0004	Clip, Alternator Lead Support	30	8000028	Screw, Hex Head Cap (5/16" x 1/8 x 1")
14	167-0188	Stator, Charging Alternator	31	134-3213	Guard, Blower Housing
15	191-1216	Screw, Round Head - Steel No. 10 - 22 x 1 - 3/8"	32	8150378	Screw, Int. Hex Head w/ET (No. 14 x 1/2")
16	813-0143	Repair Kit (Includes Parts Marked *)	33	191-1208	Regulator, Alternator (15 Amp)
17	850-0030	Washer, Lock (No. 10)	34	8210010	Screw, Hex Hd. Cap (1/4" x 20 x 1/2)

REPAIR PARTS

ROPER 18T TWIN-GARDEN TRACTOR-MODEL NO. T8328BR
ONAN ENGINE-MODEL NO. B48M-GA018/3560A

IGNITION GROUP



ALL PARTS MUST BE PURCHASED THROUGH AND SERVICE PERFORMED BY YOUR LOCAL ONAN DEALER.

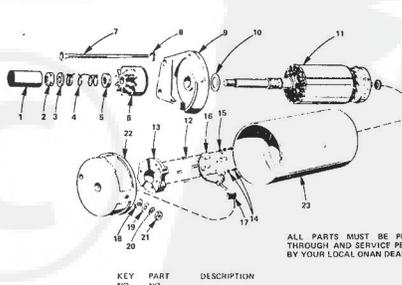
KEY NO.	PART NO.	DESCRIPTION
1	160-1210	Box Assembly, Breaker (Includes Parts Marked *)
2	812-0108	*Screw, Machine - Round Head (No. 14 x 1 - 1/2")
3	528-0008	*Washer, Flat (1/2"x1/2" x 7/16" O.D. x 1/32" Thick)
3A	509-0065	*Retainer, "O" Ring
4	100-1232	*Cover, Breaker Box (Includes parts marked *)
5	815-0358	*Screw, Tapping - Hex Head (No. 8 - 32 x 5/16")
6	850-0025	*Washer, Lock - Spring (No. 8)
7	312-0189	*Condenser, Ignition
8	807-0034	*Screw, Cap - Socket Head (1/4" x 3/4")
9	850-0038	*Washer, Lock - Spring - High Collar (1/4")
10	160-1163	*Point Assembly, Breaker
11	160-1219	*Base, Breaker Box
12	160-1150	*Gasket, Breaker Box
13	336-2378	*Plunger, Breaker Point Assembly
14	167-0208	Lead, Breaker Points to Coil Plug, Spark
15	167-1595	Capacitor, Spark Plug (17")
16	107-1508	Capacitor, Spark Plug (15")
17	166-0536	Coil, Ignition
18	166-0804	Wind. Coil Cable (Part of 166-0536 Coil)
19	501-0311	Clamp, Coil Mounting
20	166-0554	Nut, Hex
21	800-2005	Washer, Lock
22		*PARTS INCLUDED IN 160-1210 BREAKER BOX ASSEMBLY.

*INCLUDED IN GASKET KIT 168-0130.
*INCLUDED IN 100-1232 COVER

REPAIR PARTS

ROPER 18T TWIN-GARDEN TRACTOR-MODEL NO. T8328BR
ONAN ENGINE-MODEL NO. B48M-GA018/3560A

STARTER PARTS GROUP



ALL PARTS MUST BE PURCHASED THROUGH AND SERVICE PERFORMED BY YOUR LOCAL ONAN DEALER.

KEY NO.	PART NO.	DESCRIPTION
1	1910933	Starter, 12 Volt (Complete)
2	1910034	Cover, Gear
3	1910945	Nut, Snap
4	1910946	Washer, Snap Nut
5	1910947	Spring, Armature
6	1910948	Screw, Hex Cap
7	1910949	Screw, Hex Cap
8	8500040	Washer, Lock
9	1910939	Cap. Assembly, Gear End
10	1910938	Washer, Armature Thrust
11	1910935	Armature
12		*Spring, Bleed
13		*Brush, Forward
14		*Brush, Reverse
15		*Steel and Brush Assembly, Input
16		*Brushing, Insulator, Input Shaft
17		*Washer, Insulator, Input Shaft
18		*Washer, Lock, Input Shaft
19		*Washer, Lock, Input Shaft
20		*Nut, Covering, Input Shaft
21		*Cap Assembly, Commutator, Exciter
22	1910940	Cap Assembly, Commutator, Exciter
23		*Housing, Starter Motor
1910941		*Housing, Starter Motor and Start

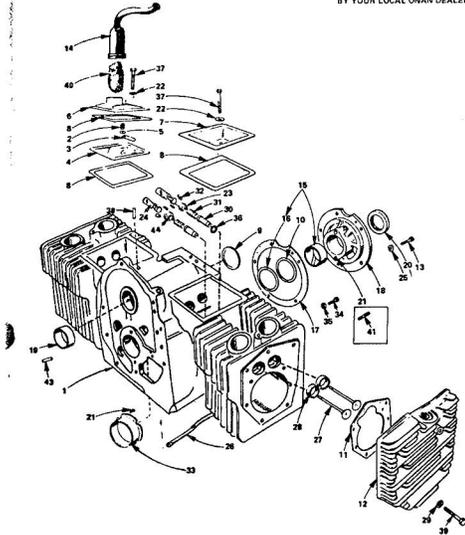
* Included in the 191 1049 Cover Assembly.
* Included in the 191 1048 Brush, Spring and Snap Nut.
* Not Sold Separately.

REPAIR PARTS

ROPER 18T TWIN-GARDEN TRACTOR-MODEL NO. T8328BR
ONAN ENGINE-MODEL NO. B48M-GA018/3560A

CYLINDER BLOCK GROUP

ALL PARTS MUST BE PURCHASED THROUGH AND SERVICE PERFORMED BY YOUR LOCAL ONAN DEALER.



REPAIR PARTS

ROPER 18T TWIN-GARDEN TRACTOR-MODEL NO. T8328BR
ONAN ENGINE-MODEL NO. B48M-GA018/3560A

CYLINDER BLOCK GROUP

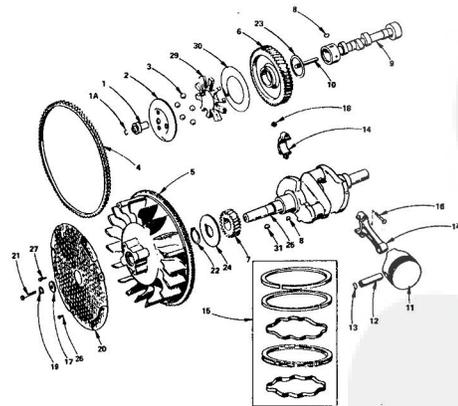
KEY NO.	PART NO.	DESCRIPTION	KEY NO.	PART NO.	DESCRIPTION
1	110 2500	Block Assembly, Cylinder (Includes Part Marked †)	28		INLET VALVE SEAT
2	123 1134	Spring, Breather Valve	110 1824		†Standard
3	123 1175	Valve, Breather	110 1824 02	002"	Oversize
4	123 1172	Valve, Breather	110 1824 05	005"	Oversize
5	526 001B	Washer, Flat, Steel (17/64" I.D. x 5/8" O.D. x 1/16" Thick)	110 1824 10	010"	Oversize
6	110 2274	Cover, Valve Compartment (L.H.)	110 1824 25	025"	Oversize
7	110 1879	Cover, Valve Compartment (R.H.)	110 0197		†Standard
8	110 1921	†Gasket, Valve Cover	110 0197 02	002"	Oversize
9	517 0048	†Plug, Extension - Camshaft	110 0197 05	005"	Oversize
10	104 0775	15Hm, Rear Bearing Plate (1.005")	110 0197 10	010"	Oversize
11	110 0892	†Gasket, Cylinder Head	110 0197 25	025"	Oversize
12		HEAD, CYLINDER	29	256 0122	Washer, Flat, Steel (11/32" I.D. x 23/32" O.D. x 10 Gauge)
13	110 2564	Block, Side (No. 2 Cylinder)	30	110 1807	†Gudge, Valve
14	800 2563	Left Side (No. 1 Cylinder)	31	110 0530	Spring, Valve
15	800 0251	†Screw, Hex Head Cap-Steel (3/8 - 16 x 1 - 1/4")	32	110 0639	Lock, Valve and Spring Retainer
		BEARING, CRANKSHAFT - REAR (INCLUDES THRUST WASHER)	33		BEARING, CRANKSHAFT - FRONT
			101 0432		†Standard
			101 0432 02	002"	Undersize
			101 0432 10	010"	Undersize
			101 0432 20	020"	Undersize
			101 0432 30	030"	Undersize
			800 0046		Screw, Hex Head Cap (3/8 - 16 x 2 1/2")
			526 0066		Washer, Flat, Copper (25/64" I.D. x 9/16" O.D. x 1/16" O.D.)
			110 0058		†Gasket, Valve Guide (Inlet)
			800 0010		Screw, Hex Head Cap (1/4 - 20 x 1 - 3/4")
			149 1299		†Tube, Fuel Pump Vacuum SCREW, HEX HEAD CAP
			800 0540		5/16 - 18 x 1 - 5/8"
			800 0541		5/16 - 18 x 2"
			123 8855		Filter, Breather Fuel
			520 0820		Stud, Cylinder Block Wet Hole (Lower)
			43	516 0141	†Pin, Dowel (Gear Cover Align)
			44	110 0804	Rotopop - Exhaust Valve
					† Included in 110 2500 Cylinder Block Assembly
					* Replacement Front Flange Bearing replaces unflanged bearing and thrust washer
					† Included in Gasket Kit 188 0130

REPAIR PARTS

ROPER 18T TWIN-GARDEN TRACTOR-MODEL NO. T8328BR
ONAN ENGINE-MODEL NO. B48M-GA018/3560A

CRANKSHAFT, FLYWHEEL, CAMSHAFT AND PISTON GROUP

ALL PARTS MUST BE PURCHASED THROUGH AND SERVICE PERFORMED BY YOUR LOCAL ONAN DEALER.



REPAIR PARTS

ROPER 18T TWIN-GARDEN TRACTOR-MODEL NO. T8328BR
ONAN ENGINE-MODEL NO. B48M-GA018/3560A

CRANKSHAFT, FLYWHEEL, CAMSHAFT AND PISTON GROUP

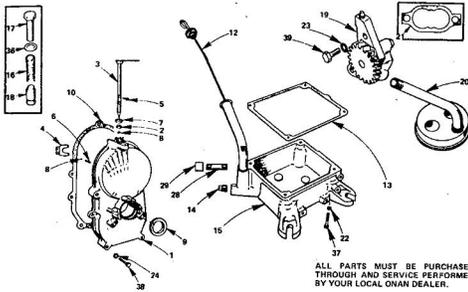
KEY NO.	PART NO.	DESCRIPTION
1	150 1518	Hub
1A	150 0078	Ring, Camshaft Center Pin
2	150 1520	Cap, Governor
3	510 0015	Ball, Fly - Governor
4	104 0779	Gear, Ring - Flywheel
5	134 3494	Flywheel (Includes Ring Gear and Magnet Ring)
6	105 0232	Gear, Camshaft (Includes Flyball Sprocket and Pin)
7	104 0032	Gear, Camshaft
8	515 0001	Key (1/2" Diameter x 1 1/8")
9	105 0402	Camshaft (Includes Center Pin)
10	150 0075	Pin, Camshaft Center
11		PISTON AND PIN (INCLUDES RETAINING RINGS)
	112 0151	Standard
	112 0151 05	005" Oversize
	112 0151 10	010" Oversize
	112 0151 20	020" Oversize
	112 0151 30	030" Oversize
	112 0151 40	040" Oversize
12	112 0122	Pin, Piston
13	518 0311	Ring, Piston Pin Retaining
14		ROD ASSEMBLY, CONNECTING
	114 0257	Standard
	114 0257 10	010" Oversize
	114 0257 20	020" Oversize
	114 0257 30	030" Oversize
15		RING SET, PISTON
	113 0189	Standard
	113 0189 05	005" Oversize
	113 0189 10	010" Oversize
	113 0189 20	020" Oversize
	113 0189 30	030" Oversize
	113 0189 40	040" Oversize
16	114 0240	Bolt, Special - Connecting Rod
17	526 0017	Washer, Flat Steel (15/32" I.D. x 1 - 1/4" O.D. x 1/4" Thick)
18	870 0302	Nut, Locking (5/16 - 24)
19	890 0255	Washer, Spring Lock (7/16")
20	134 3508	Guard, Flywheel
21	104 0170	Screw, Hex Head Cap (7/16 - 14 x 4")
22	518 0014	Ring, Retaining - Crankshaft Gear
23	105 0004	Washer, Crankshaft Gear Thrust
24	104 0063	Washer, Crankshaft Gear Retainer
25	104 0896	Crankshaft
26	515 0400	Machine Screw Trust Head
27	821 0014	Screw, Hex Head Cap - Locking Flange (5/16 - 18 x 1/2")
28	150 1257	Sector, Governor Flywheel
29	150 0071	Pin, Governor Flywheel
31	515 0227	Key, K1

Click Here to upgrade to Unlimited Pages and Expanded Features

REPAIR PARTS

ROPER 18T TWIN-GARDEN TRACTOR-MODEL NO. T8328BR
ONAN ENGINE-MODEL NO. E48M-GA018/3560A

GEAR COVER, OIL BASE AND OIL PUMP GROUP



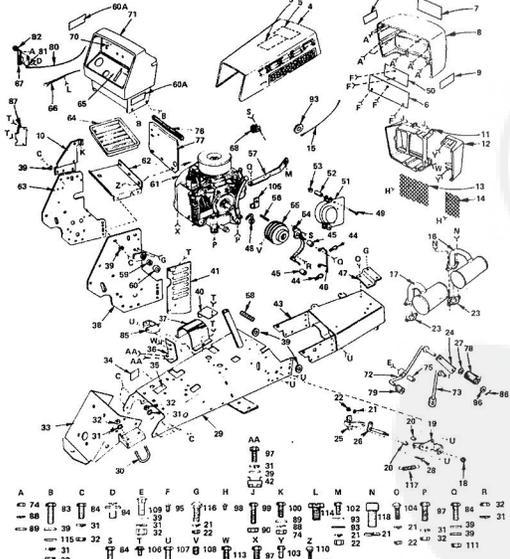
ALL PARTS MUST BE PURCHASED THROUGH AND SERVICE PERFORMED BY YOUR LOCAL ONAN DEALER.

KEY NO.	PART NO.	DESCRIPTION	KEY NO.	PART NO.	DESCRIPTION
1	103 0498	Cover Assembly, Gear (Includes Parts Mark'd)	21	120-0161	+Gasket Kit, Oil Pump
2	510-0105	Bearing, Governor Shaft	22	850-0050	Washer, Spring Lock (3/8")
3	150-1470	Shaft and Arm Assembly, Governor	23	850-0040	Washer, Spring Lock (1/4")
4	150-1187	*Yoke Governor Shaft	24	526-0066	Washer, Flat - Copper (2 1/4") I.D. x 8/16" O.D. x 1/16" Thick
5	815-0048	*Screw, Yoke Retaining	28	505-0176	Nipple, Pipe - Oil Drain (1/2 x 3-1/2")
6	516-0130	*Pin, Governor Cup Stop	29	505-0158	Cap, Pipe (1/2")
7	509-0008	*Seal, Oil - Governor Shaft	36	526-0066	Washer, Flat - Copper (25/64" I.D. x 9/16" O.D. x 1/16" Thick) - By Pass Valve
8	510-0014	*Ball, Bearing Governor Shaft	37	800-0056	Screw, Hex Head Cap (3/8 - 16 x 2-1/2")
9	409-0040	*Seal, Gear Cover	38	800-0032	Screw, Hex Head Cap (5/16 - 18 x 1-3/4") - Gear Cover Mounting
10	103-0408	+Gasket, Gear Cover	38	800-0545	Screw, Hex Head Cap (5/16 - 18 x 2-3/4") - Gear Cover Mounting
12	123-1292	Cap and Indicator, Oil Fill	39	800-0007	Screw, Hex Head Cap (1/8 - 20 x 1")
13	102-0932	+Gasket, Oil Base Mounting			
14	505-0056	Plug, Oil Drain			
15	103-0141	8/32, Oil			
16	120-0140	Sealing, Oil By Pass Valve			
17	801-0050	Screw, Hex Head Cap (3/8 - 16 x 2-1/2") - Oil By Pass			
18	120-0398	Valve, Oil By Pass			
19	120-0491	Pump, Oil - Ceramic (NOTE: Internal parts not sold separately)			
20	120-0713	Intake, Oil Pump (Includes: Cap, Screen and Plug)			

REPAIR PARTS

ROPER 18 TWIN HYDRO GARDEN TRACTOR-MODEL NO. T8338AR

MAIN FRAME, DASHBOARD AND GRILL



REPAIR PARTS

ROPER 18 TWIN HYDRO GARDEN TRACTOR-MODEL NO. T8338AR

MAIN FRAME, DASHBOARD AND GRILL

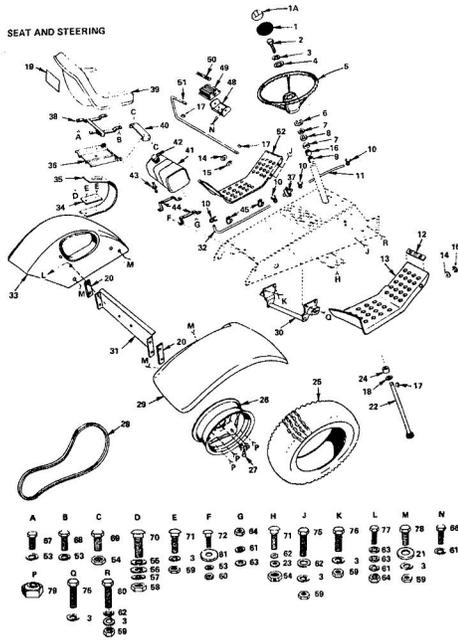
KEY NO.	PART NO.	DESCRIPTION	KEY NO.	PART NO.	DESCRIPTION
3	8028R	Decal - Maintenance	61	848M/GA018	Engine, Onan 18 H.P. Twin Cylinder
4	834A837	Hood Assembly	62	3475A	Battery Support
5	9890R	Decal - Wiring	63	150L3	Battery Support Bracket - L.H.
6	291J	Grill Panel - Lower	63	896J	Battery Tray
7	245J	Decal - Roper	65	896R	Decal - Lower Dash
8	911J	Lower Grill	66	2754R	Throttle Control Lever
9	246J	Decal - Roper	67	1520J	Choke Control
10	1151J	Rectifier Bracket	68	8776E	Decal - Upper Dash
11	7937R	Lower Grill	71	5123E	Pedal Weldment P.T.O.
12	7538R	Roller Side	72	634A201	Lower Weldment
13	2874R	Grill Screen - L.H.	74	503P	*Hex Nut 1/4 - 20 UNC
14	2823R	Grill Screen - R.H.	75	91J	Pin, Spacer
15	8068R	Grill Cable	76	7874R	Hood Seal
16	105J	Muffler - Front	77	9007R	Bracket, Rear Shroud
17	105J	Muffler - Rear	78	92J	Rubber Foot
18	7810H	Gripco Centerlock Nut 3/8 - 24 UNF	79	257J	Foot Panel
19	634A404	Bushing	80	1515J	Throttle Wire and Casing
20	1689E	*Lockwasher 5/16	81	8204R	Throttle Clump
21	1003P	*Hex Nut 5/16 - 18 UNC	82	1516J	Throttle Control
22	506P	*Hex Nut 5/16 - 18 UNC	83	3072P	*Hex Bolt 3/8 - 16 x 1-1/2
23	878J	Gasket - Exhaust Manifold	84	3022P	*Hex Bolt 3/8 - 16 x 1
24	95J	Gasket - Exhaust Manifold	85	634A385	Front Hanger Weldment - L.H.
25	834A482	Switch Bracket Assembly	86	2506P	Dotter Pin 7/8 x 1
26	634A481	Link	87	86J	Cover - L.H.
27	82J	Speed Nut/Push-on	88	1007P	Lockwasher 1/4
28	3013P	*Hex Bolt 5/16 - 18 x 1-1/2	89	1505P	Lockwasher No. 10
29	634A204	Drift Assembly with Bushings (Inc. Key No. 1, 9 and 24, page 18)	90	505P	*Nut No. 10 - 24 UNC
30	5080R	*Lockwasher 3/8	91	1537P	*Washer 11/32 x 1 1/8 x 16 Ga.
31	1004P	*Lockwasher 3/8	92	6065P	*Hex Shroud Mt. Mach. Serv
32	501P	*Hex Nut 3/8 - 18 UNC	93	505P	*Washer 1/2 x 1 1/8 x 16 Ga.
33	834A638	Driveline Weldment	94	505P	*Washer 1/2 x 1 1/8 x 16 Ga.
34	8143R	Decal - By Pass Valve	95	5564P	*Nut No. 3/4 x 1 1/2
35	5028R	Decal - Parking Brake	96	1545P	*Pin No. 3/4 x 1 1/2
36	5108R	Filter Mounting Bracket	97	3025P	*Pin No. 3/8 x 1 1/2
37	6304R	Battery Support Bracket (Inc. Key No. 99)	98	5501P	*Cut-off Screw, Push-on Pin Mt. Thr
38	634A603	Battery Support Bracket (Inc. Key No. 99)	99	3267P	*Hex Bolt 1/4 - 20 x 1-1/2
39	1613P	Washer 13/32 x 13/16 - 16 Ga.	100	3114P	*Hex Bolt 5/16 - 18 x 3/4
40	811J	Neutral Adjustment Cover	101	5010P	*Hex Bolt 5/16 - 18 x 3/4
41	7729R	Cover - R.H.	102	87J	Clip - Cable
42	8115R	Retainer Nut 3/8 - 16 UNC	103	5010P	*Hex Bolt 5/16 - 18 x 3/4
43	634A684	Engine Mount Assembly	104	87J	Clip - Cable
44	4923M	Retainer Spring	105	5537P	Cutting Screw, Hex Washer Mt. Thr
45	8704H	Retainer	107	3025P	1/4 - 20 x 1 1/2 Type 1
46	5621R	Belt Retainer	108	4540P	Set Screw, Hex Flange Socket Helico
47	95J	Roller	109	509P	*Pin No. 3/8 x 1 1/2
48	8745R	Belt Retainer Finger	110	53P	Carriage Bolt 3/8 - 18 x 2 1/4
49	3164P	Machine Screw, Slotted Fillister Hd.	111	1538P	Carriage Bolt No. 10 - 24 x 1 1/2
50	290J	Roller	112	5384R	*Washer 7/8 x 1 1/8 x 18 Ga.
51	834A663	Belt Guard Weldment	113	1538P	Carriage Bolt No. 10 - 24 x 1 1/2
52	8738H	Belt Support	114	509P	*Pin No. 3/4 x 1 1/2
53	347H	Hublock Nut 1/4 - 20 UNC	115	509P	*Pin No. 3/4 x 1 1/2
54	634A662	Belt Guide Weldment	116	1538P	Carriage Bolt No. 10 - 24 x 1 1/2
55	634A665	Engine Pulley (Inc. Key No. 108)	117	3040P	*Hex Bolt 1/4 - 20 x 3/4
56	828E	Square Key 1/4 x 2	118	1537P	*Washer 13/32 x 1 1/8 x 11 Ga.
57	875J	Grill Brace	119	1537P	*Hex Bolt 5/16 - 18 x 7/8
58	302L	Wire Guard	120	788R	Pin, Spring
59	775R	Idle Bearing	121	336P	Socket Mt. Cap Screw 3/16 - 18 x 3/4
60	8005R	Idle Shaft Cap			
60A	1308J	Decal			

*STANDARD HARDWARE-PURCHASE LOCALLY

REPAIR PARTS

ROPER 18 TWIN HYDRO GARDEN TRACTOR-MODEL NO. T8338AR

SEAT AND STEERING



REPAIR PARTS

ROPER 18 TWIN HYDRO GARDEN TRACTOR-MODEL NO. T8338AR

SEAT AND STEERING

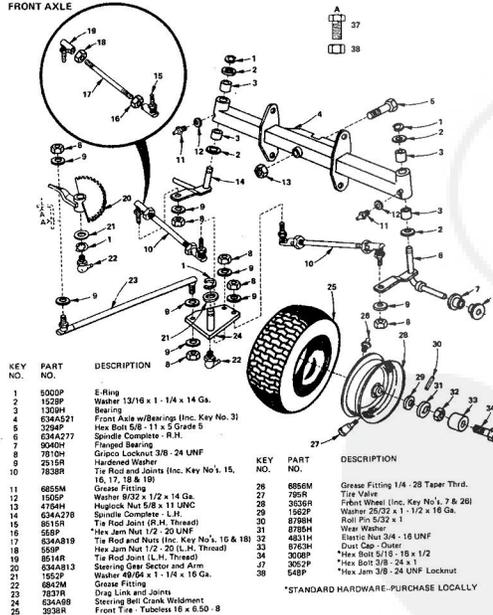
KEY NO.	PART NO.	DESCRIPTION	KEY NO.	PART NO.	DESCRIPTION
1	9719R	Steering Wheel Insert	41	2932R	Fuel Tank
1A	2361	Decal - Roper	42	7292R	Fuel Gauge
2	3022P	*Hex Bolt 3/8" - 16 x 1	43	815R	Fuel Line Fitting
3	1004P	*Lockwasher 3/8"	44	7050R	Bracket - Fuel Tank
4	1558P	Washer 7/16 x 1 x 10 Ga.	45	2751R	Clip - Fuel Line
5	2044R	Steering Wheel	46	8702H	Foot Rest Bracket
6	5003P	E-Ring	49	8882R	Foot Pedal
7	9003H	Cap	50	8882R	Insert - Clutch-Brake
8	5949H	Rubber Bushing	51	840J	Foot Rest Shaft
9	8468R	Bearing	52	8738R	Foot Rest - L.H.
10	6999R	Clamp - Fuel Line	53	1003P	*Lockwasher 5/16"
11	7833R	Fuel Line (Short)	54	5384H	Locknut 3/8" - 16 UNC
12	8900R	Decal (Attach. Clutch)	55	1578P	Washer 3/4 x 1 - 1/8 x 11 Ga.
13	7904R	Foot Rest - R.H.	56	1500P	Washer 17/32 x 1 - 1/2 x 11 Ga.
14	1527P	E-Ring	57	1000P	*Lockwasher 1/2"
15	5001P	E-Ring	58	502P	*Hex Nut 1/2" - 13 UNC
16	7895R	Steering Shaft Spacer	59	501P	*Hex Nut 3/8" - 16 UNC
17	9858M1	Woodruff Key 3/16 x 5/8	60	504P	*Hex Nut 5/16" - 18 UNC
18	1553P	Washer 5/16 x 1 - 1/4 x 16 Ga.	61	1000P	*Lockwasher 1/4"
19	245J	Decal - Roper	62	1513P	Washer 13/32 x 13/16 x 16 Ga.
20	1185J	Spacer - Tailight Bracket	63	1500P	Washer 9/32 x 5/8 x 16 Ga.
21	1557P	Washer 3/25 x 13/16 x 11 Ga.	64	503P	*Hex Nut 1/4" - 20 UNC
22	634A77S	Steering Shaft & Pinion	65	3003P	*Hex Bolt 1/4" - 20 x 3/4
23	1510P	Washer 5/32 x 1 x 13 Ga.	67	3010P	*Hex Bolt 5/16" - 18 x 3/4
24	4785H	Bearing	68	3165P	*Hex Bolt 5/16" - 18 x 7/8
25	4601R	Rear Tire - Tubeless 23 x 10.00 - 12	69	3020P	*Hex Bolt 3/8" - 16 x 7/8 Gr. 5
26	3635R	Rear Wheel	70	52P	Carriage Bolt 1/2" - 13 x 1 - 1/4 Gr. 5
27	795R	Tire Valve	71	81P	*Carriage Bolt 5/16" - 18 x 1
28	5125R	V-Belt (Ground Drive)	72	17P	*Hex Bolt 3/8" - 16 x 1 - 1/4
29	8428R	Fender - R.H.	73	3025P	*Hex Bolt 3/8" - 16 x 1
30	636A814	Hanger Weldment - Rear	74	3023P	*Hex Bolt 1/4" - 20 x 1
31	2666R	Bracket - Tailight	77	3004P	*Hex Bolt 3/8" - 16 x 3/4
32	8545P	Fuel Line Group	78	3021P	*Hex Bolt 3/8" - 16 x 3/4
33	8177R	Fender - L.H.	79	5137R	Lug Nut
34	8141H	Seat Spring Reinforcement	80	3027P	*Hex Bolt 3/8" - 16 x 1-1/2
35	8404R	Seat Spring	81	1537P	Bracket Weldment
36	634A523	Seat Bracket Weldment	82	2557R	Washer 17/32 x 1 1/8 x 16 Ga.
37	286J	Fuel Line Filter	---	1108J	Warranty Tag
38	634A53Z	Seat Bracket Weldment	---	1191J	Owners Manual
39	8744R	Seat			
40	2062R	Bracket Seat Pivot			

*STANDARD HARDWARE-PURCHASE LOCALLY

REPAIR PARTS

ROPER 18 TWIN HYDRO GARDEN TRACTOR-MODEL NO. T8338AR

FRONT AXLE



KEY NO.	PART NO.	DESCRIPTION	KEY NO.	PART NO.	DESCRIPTION
1	5000P	E-Ring	26	8855M	Grease Fitting 1/4" - 28 Taper Thrd.
2	1529P	Washer 13/16 x 1 - 1/4 x 14 Ga.	27	795R	Tire Valve
3	1309H	Bearing	28	3635R	Front Wheel (Inc. Key No's. 7 & 26)
4	634A521	Front Axle w/Bearings (Inc. Key No. 3)	29	1562P	Washer 25/32 x 1 - 1/2 x 16 Ga.
5	3294P	*Hex Bolt 5/8" - 11 x 5 Grade 5	30	8780H	Roll Pin 5/32 x 1
6	634A777	Spline Complete - R.H.	31	8780H	Roll Pin 5/32 x 1
7	9040H	Flanged Bearing	32	4831H	Elastic Nut 3/4" - 16 UNF
8	7810H	Cartridge Locknut 3/8" - 24 UNF	33	8762H	Dust Cap - Outer
9	2915R	Hardened Washer	34	3008P	*Hex Bolt 5/16" - 18 x 1/2
10	7838R	Tie Rod and Joints (Inc. Key No's. 15, 16, 17, 18 & 19)	35	2652P	*Hex Bolt 3/8" - 24 x 1
11	6855M	Grease Fitting	36	548P	*Hex Jam 3/8" - 24 UNF Locknut
12	1500P	Washer 8/32 x 1/2 x 14 Ga.			
13	4764H	Huglock Nut 5/8 x 11 UNC			
14	634A73B	Soville Complete - L.H.			
15	8615R	*Hex Jam Nut 1/2" - 20 UNF			
16	568P	*Hex Jam Nut 1/2" - 20 UNF			
17	634A819	Tie Rod Joint (R.H. Thread)			
18	568P	*Hex Jam Nut 1/2" - 20 L.H. Thread			
19	8514R	Tie Rod Joint (L.H. Thread)			
20	634A813	Steering Gear Sector and Arm			
21	1552P	Washer 8/32 x 1 - 1/8 x 16 Ga.			
22	6842M	Grease Fitting			
23	7837H	Drag Link and Joints			
24	634A88B	Steering Bell Crank Weldment			
25	3638R	Front Tire - Tubeless 16 x 6.50 - 8			

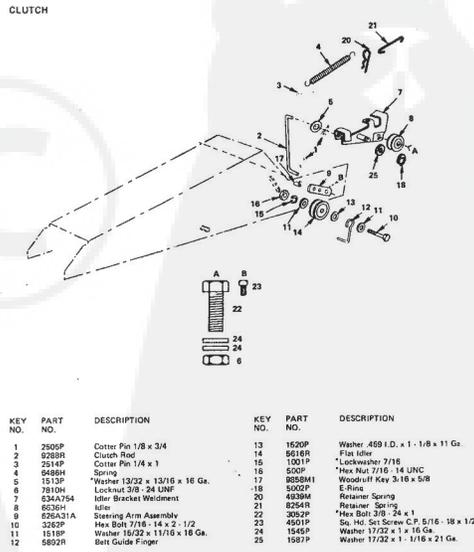
KEY NO.	PART NO.	DESCRIPTION
26	8855M	Grease Fitting 1/4" - 28 Taper Thrd.
27	795R	Tire Valve
28	3635R	Front Wheel (Inc. Key No's. 7 & 26)
29	1562P	Washer 25/32 x 1 - 1/2 x 16 Ga.
30	8780H	Roll Pin 5/32 x 1
31	8780H	Roll Pin 5/32 x 1
32	4831H	Elastic Nut 3/4" - 16 UNF
33	8762H	Dust Cap - Outer
34	3008P	*Hex Bolt 5/16" - 18 x 1/2
35	2652P	*Hex Bolt 3/8" - 24 x 1
36	548P	*Hex Jam 3/8" - 24 UNF Locknut

*STANDARD HARDWARE-PURCHASE LOCALLY

REPAIR PARTS

ROPER 18 TWIN HYDRO GARDEN TRACTOR-MODEL NO. T8338AR

CLUTCH



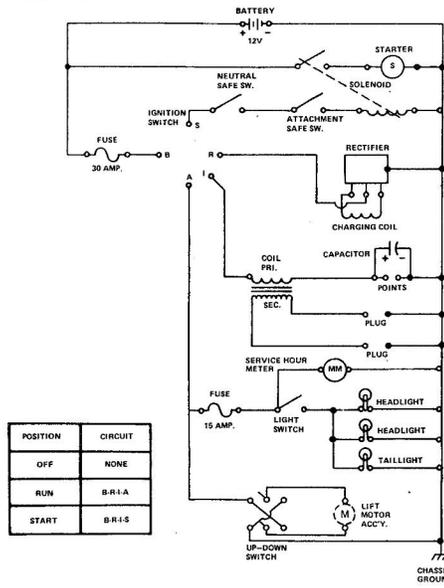
KEY NO.	PART NO.	DESCRIPTION	KEY NO.	PART NO.	DESCRIPTION
1	2905P	Cotter Pin 1/8 x 3/4	13	1520P	Washer 459 I.D. x 1 - 1/8 x 11 Ga.
2	9288R	Clutch Rod	14	8616R	Pin Inter
3	2314P	Cotter Pin 1/4 x 1	15	1001P	*Lockwasher 7/16"
4	6486H	Spring	16	500P	*Hex Nut 7/16" - 14 UNC
5	3513P	Washer 3/32 x 13/16 x 16 Ga.	17	8858M1	Woodruff Key 3/8 x 5/8
6	7810H	Locknut 3/8" - 24 UNF	18	3002P	E-Ring
7	634A754	Idler Bracket Weldment	19	4689M	Retainer Spring
8	6530H	Idler	21	8254R	Retainer Spring
9	634A754	Steering Arm Assembly	22	2905P	*Hex Bolt 1/8" - 24 x 1
10	3282P	*Hex Bolt 7/16" - 14 x 2 - 1/2	23	4501P	Std. Hd. Set Screw C.P. 5/16" - 18 x 1/2
11	1518P	Washer 15/32 x 1 1/16 x 16 Ga.	24	1546P	Washer 17/32 x 1 x 16 Ga.
12	6862R	Ball Guide Finger	25	1587P	Washer 17/32 x 1 - 1/16 x 21 Ga.

*STANDARD HARDWARE-PURCHASE LOCALLY

REPAIR PARTS

ROPER 18 TWIN HYDRO GARDEN TRACTOR-MODEL NO. T8338AR

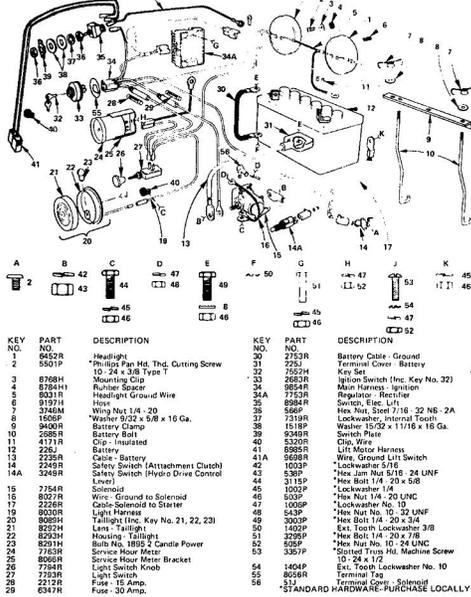
SCHEMATIC DIAGRAM



REPAIR PARTS

ROPER 18 TWIN HYDRO GARDEN TRACTOR-MODEL NO. T8338AR

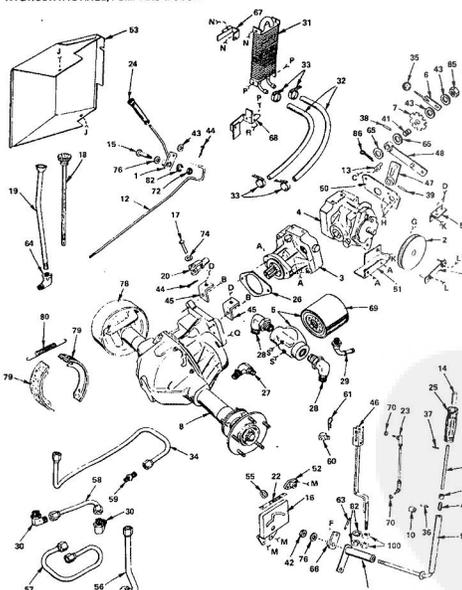
ELECTRICAL



REPAIR PARTS

ROPER 18 TWIN HYDRO GARDEN TRACTOR-MODEL NO. T8338AR

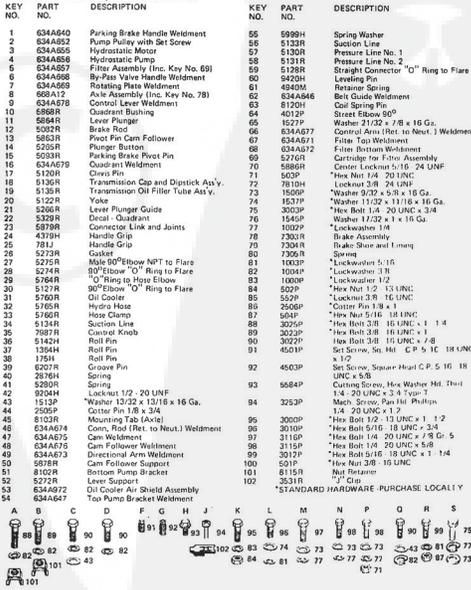
HYDROSTATIC AXLE, PUMP AND MOTOR



REPAIR PARTS

ROPER 18 TWIN HYDRO GARDEN TRACTOR-MODEL NO. T8338AR

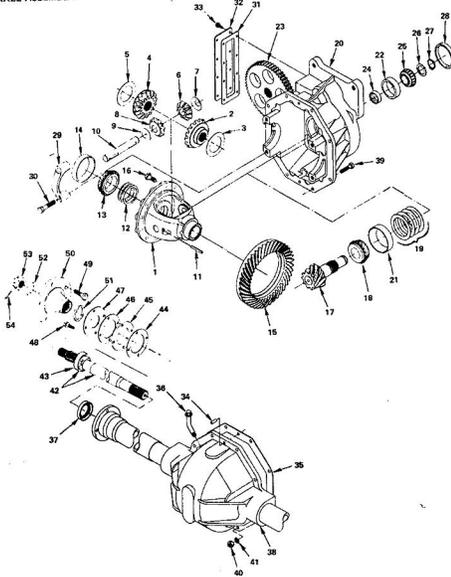
HYDROSTATIC AXLE, PUMP AND MOTOR



REPAIR PARTS

ROPER 18 TWIN HYDRO GARDEN TRACTOR--MODEL NO. T8338AR

AXLE ASSEMBLY



REPAIR PARTS

ROPER 18 TWIN HYDRO GARDEN TRACTOR--MODEL NO. T8338AR

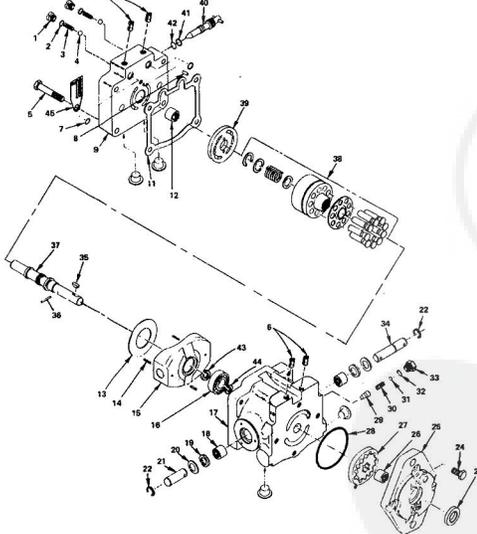
AXLE ASSEMBLY

KEY NO.	PART NO.	DESCRIPTION
1	7164R	Diff. Case
2 & 4	7165R	Diff. Gear (Set of Two)
3 & 5	7166R	Diff. Gear Thrust Washer (Set of Two)
6 & 8	7166R	Diff. Pinion Mate (Set of Two)
7 & 9	7170R	Diff. Pinion Thrust Washer
10	7167R	Diff. Shaft (Pin. Mate)
11	7168R	Diff. Shaft Lock Pin
12	7202R	Diff. Adj. Shim (Set of Four .003 to .005)
13	7207R	Big. Cone
14	7206R	Big. Cone
15 & 17	7171R	Gear and Pinion Assembly
16	7172R	Drive Sprocket
18	7201R	Roller Big. Cone
19	7196R	Pin. Big. Shim (Set of Four .003 to .005)
20, 29 & 30	7173R	Upper Htg. Sub. Assembly (Inc. Key No. 29)
30	3299P	Hex Hd. Cap Screw 7/16. 14 N.C. x 2 Grade 5
21	7200R	Roller Big. Cone
22	7194R	Big. Cone
23	7208R	Spro. Gear
24	7185R	Pin. Big. Spacer
25	7193R	Big. Cone
26	7179R	Pin. Big. Shim (Set of Fourteen .031 to .057)
27	7178R	Snap Ring
28	7177R	Wash. Plug
31	7174R	Gear Cover Gasket
32	7175R	Gear Cover
33	7176R	Hex Top Screw
34	7217R	Down Pin
35	7210R	Housing Gasket
36	7214R	Vent. Tube Assembly
37	7218R	Oil Seal
38	7215R	Lower Htg. and Tube Assembly
39	3303P	Hex Bolt 5/16. 24 NF x 1 1/4 Grade 5
40	518P	Hex Nut 5/16. 24 NF
41	1003P	Lockwasher 5/16
42 & 43	7209R	Axle Shaft and Bearing (Inc. Key No. 43)
45	7211R	Wheel Bearing
44, 46 & 47	7180R	Wheel Bearing Gasket (Set of Three)
48	7181R	Wheel Bearing Retainer
49	7212R	Bolt
50	7216R	Wheel Bolt
51	7219R	Axle Shaft Flange Assembly
52	7218R	Felt Seal
53	7220R	Wheel End Washer
54	7221R	Wheel End Nut
54	7222R	Wheel End Cotter Pin

REPAIR PARTS

ROPER 18 TWIN HYDRO GARDEN TRACTOR--MODEL NO. T8338AR

HYDROSTATIC PUMP ASSEMBLY--MODEL NO'S. 15-2023 AND 15-2084



REPAIR PARTS

ROPER 18 TWIN HYDRO GARDEN TRACTOR--MODEL NO. T8338AR

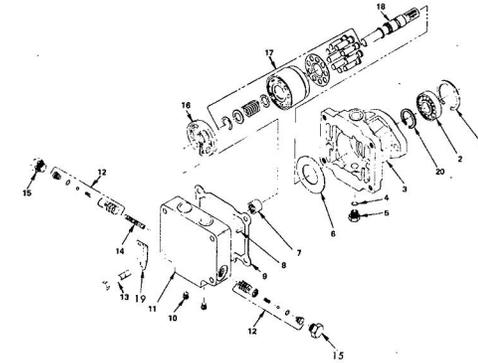
HYDROSTATIC PUMP ASSEMBLY--MODEL NO'S. 15-2023 AND 15-2084

KEY NO.	PART NO.	DESCRIPTION
1,2,3	AN104	Check Valve Kit
4	7224R	Hex Head Cap Screw
5	7223R	Pop Plug
7	7226R	O' Ring
8	7227R	Headst. Str. Pin
9	7228R	End Cap
11	7228R	Gasket
12	7230R	Needle Bearing
13	7231R	Thrust Plate
14	7232R	Coiled Spring Pin
15	7233R	Swashplate
16	7234R	Roll Bearing
17	1601J	Housing (For Pump Model No. 15 - 2084 ONLY)
17	7235R	Housing (For Pump Model No. 15 - 2023 ONLY)
18	7238R	Needle Bearing
19	7237R	Lip Seal
20	7238R	Washer
21	7238R	Transition Shaft
22	7240R	Retaining Ring
23	7241R	Lip Seal
24	7242R	Hex Head Cap Screw
25	7243R	Charge Pump Housing
26	7244R	Needle Bearing
27	7245R	Gasket Assembly
28	7246R	O' Ring
29	7247R	Relief Valve Cone
30	7248R	Relief Valve Spring
31	7249R	Spum Back
32	7250R	O' Ring
33	1603J	Hex Head Plug (For Pump Model No. 15 - 2084 ONLY)
33	7251R	Hex Head Plug (For Pump Model No. 15 - 2023 ONLY)
34	7252R	Control Shaft
35	7253R	Woodruff Key
36	7254R	Head Str. Pin
37	1602J	Shaft (For Pump Model No. 15 - 2084 ONLY)
37	7255R	Shaft (For Pump Model No. 15 - 2023 ONLY)
38	7256R	Cyl. Block Kit
39	7257R	Valve Plate
40	7258R	By-Pass Valve
41	7259R	Back Up Ring
42	7260R	O' Ring
43	1604J	Retaining Ring (For Pump Model No. 15 - 2084 ONLY)
44	1605J	Retaining Ring (For Pump Model No. 15 - 2084 ONLY)
45	Model Part
.....	634A556	Complete Pump Assembly

REPAIR PARTS

ROPER 18 TWIN HYDRO GARDEN TRACTOR-MODEL NO. T8338AR

HYDROSTATIC MOTOR ASSEMBLY



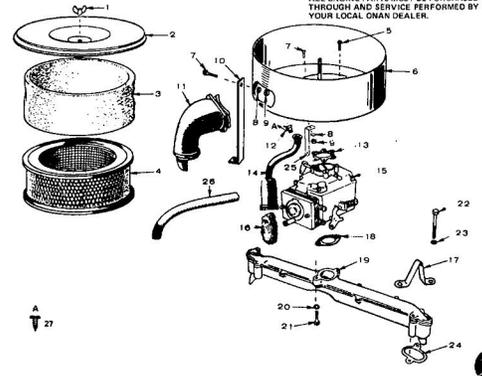
KEY NO.	PART NO.	DESCRIPTION	KEY NO.	PART NO.	DESCRIPTION
1	7262R	Retaining Ring	11	7272R	End Cap
2	7263R	Ball Bearing	12	7271R	Accelerator Valve Assembly
3	7264R	Motor Case	13	7278R	Hex Head Cap Screw
4 & 6	7265R	Hex Hd. Plug	14	7275R	Accelerator Spring
5	7231R	Thrust Plate	15	7230R	Hex Head Plug
7	7230R	Roller Bearing	16	7273R	Valve Plate
8	7272R	Hdless. Str. Pin	17	7256R	Cyl. Block Kit
9	7229R	Gasket	18	7278R	Main Shaft
10	7273R	Pipe Plug	19	Model Plate
			20	2241	Retaining Ring
			63AA555	Complete Motor Assembly

REPAIR PARTS

ROPER 18 TWIN HYDRO GARDEN TRACTOR-MODEL NO. T8338AR

ONAN ENGINE-MODEL NO. B48M-GA018/3475A

FUEL SYSTEM GROUP



ALL ENGINE PARTS MUST BE PURCHASED THROUGH AND SERVICE PERFORMED BY YOUR LOCAL ONAN DEALER.

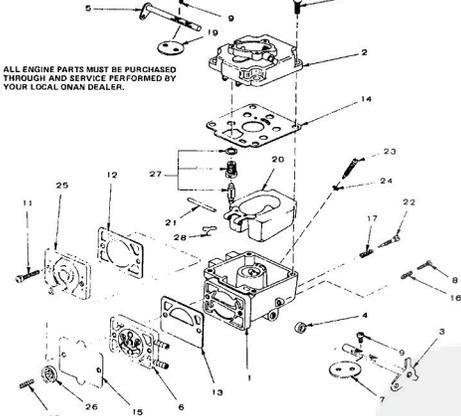
KEY NO.	PART NO.	DESCRIPTION	KEY NO.	PART NO.	DESCRIPTION
1	800-0020	Wing Nut (1/4" - 20)	15	142-0568	Carburetor
2	140-1189	Air Cleaner Cover	16	123-0865	Filter
3	140-1259	Air Cleaner Wrapper	17	403-1021	Lifting Bracket
4	140-1216	Air Cleaner Element	18	145-0030	Gasket
5	815-0463	Machine Screw, Slotted Head (No. 10 - 5/8")	18	184-1468	Intake Manifold
6	140-1213	Air Cleaner Housing	19	800-0023	Cap Screw (1/4" - 20 x 1 - 3/8")
7	800-0002	Cap Screw (1/4" - 20 x 1/2")	20	800-0023	Cap Screw (1/4" - 20 x 1 - 3/8")
8	863-0013	Lockwasher (1/4")	21	Cap Screw
9	865-0011	Hex Nut (1/4" - 20)	22	800-0033	5/16 - 18 x 2"
10	140-1198	Support	23	800-0034	5/16 - 18 x 2 - 1/4"
11	140-1189	Air Intake Tube	24	184-1744	Gasket
12	518-0028	Cable Clip	25	140-1313	Support
13	140-1215	Gasket	26	503-0740	Fuel Hose
14	123-1277	Breather Tube	27	550P	Tub Screw Sl. Pan Hd. No. 8 x 3/4 Type A8

REPAIR PARTS

ROPER 18 TWIN HYDRO GARDEN TRACTOR-MODEL NO. T8338AR

ONAN ENGINE-MODEL NO. B48M-GA018/3475A

CARBURETOR PARTS GROUP



ALL ENGINE PARTS MUST BE PURCHASED THROUGH AND SERVICE PERFORMED BY YOUR LOCAL ONAN DEALER.

KEY NO.	PART NO.	DESCRIPTION	KEY NO.	PART NO.	DESCRIPTION
1	142-0534	Body	17	142-0582	*Spring
2	142-0573	Body	18	142-0545	*Spring
3	142-0534	Throttle Shaft	19	142-0546	Fly
4	142-0525	Idler	20	142-0597	Pin
5	142-0535	Choke Shaft	21	142-0548	*Shaft
6	142-0537	*Valve Assembly	22	142-0016	Side Needle
7	142-0538	Fly	23	142-0549	High Speed Screw
8	142-0504	Trim Screw	24	142-0550	*Screw
9	142-0334	*Screw	25	142-0551	Cover
10	142-0539	Screw	26	142-0552	*Plate
11	142-0540	Screw	27	142-0553	*Valve Assembly
12	142-0541	Gasket	28	142-0554	Retaining Clip
13	142-0542	Gasket	142-0571	Gasket Kit (Inc. Parts Marked *)
14	142-0572	Gasket	142-0570	Repair Kit (Inc. Parts Marked *)
15	142-0555	Diaphragm			
16	142-0544	Spring			

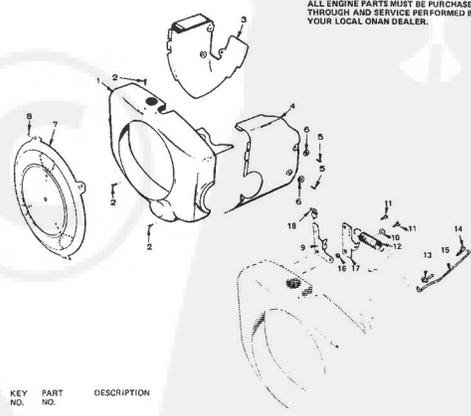
*Parts included in 142-0571 Gasket Kit.
*Parts included in 142-0570 Repair Kit.

REPAIR PARTS

ROPER 18 TWIN HYDRO GARDEN TRACTOR-MODEL NO. T8338AR

ONAN ENGINE-MODEL NO. B48M-GA018/3475A

BLOWER HOUSING AND GOVERNOR GROUP



ALL ENGINE PARTS MUST BE PURCHASED THROUGH AND SERVICE PERFORMED BY YOUR LOCAL ONAN DEALER.

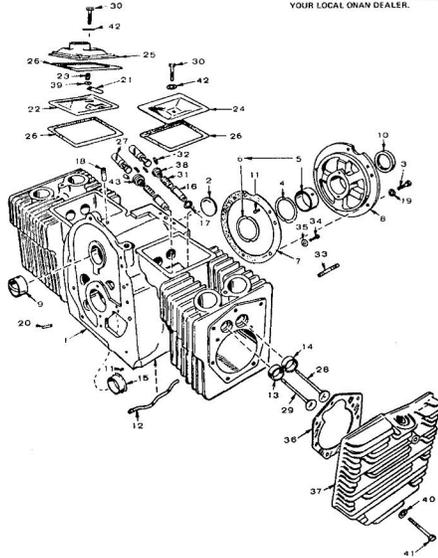
KEY NO.	PART NO.	DESCRIPTION
1	134-3567	Blower Housing
2	815-0281	Cap Screw (1/4" - 20 x 7/16")
3	134-2980	Cylinder Air Housing, Left Side
4	134-2818	Cylinder Air Housing, Right Side
5	815-0290	Cap Screw (1/4" - 20 x 5/8")
6	528-0021	Flat Washer (1/764" I.D. x 3/4" O.D. x 1/16" Thick)
7	134-2313	Guard
8	815-0378	Cap Screw, W/EI (No. 14 x 1/2")
9	153-1343	Bracket
10	525-0214	Flat Washer (1/764" I.D. x 1/2" O.D. x 1/16" Thick)
11	815-0436	Cap Screw (1/4" - 20 x 1/2")
12	150-1114	Spring
13	870-0278	Retainer Clip
14	518-0004	Retainer Clip
15	150-1350	Rod
16	150-1269	Washer
17	150-1516	Arm
18	518-0176	Clip

REPAIR PARTS

ROPER 18 TWIN HYDRO GARDEN TRACTOR-MODEL NO. T8338AR
ONAN ENGINE-MODEL NO. B48M-GA018/3475A

CYLINDER BLOCK GROUP

ALL ENGINE PARTS MUST BE PURCHASED THROUGH AND SERVICE PERFORMED BY YOUR LOCAL ONAN DEALER.



REPAIR PARTS

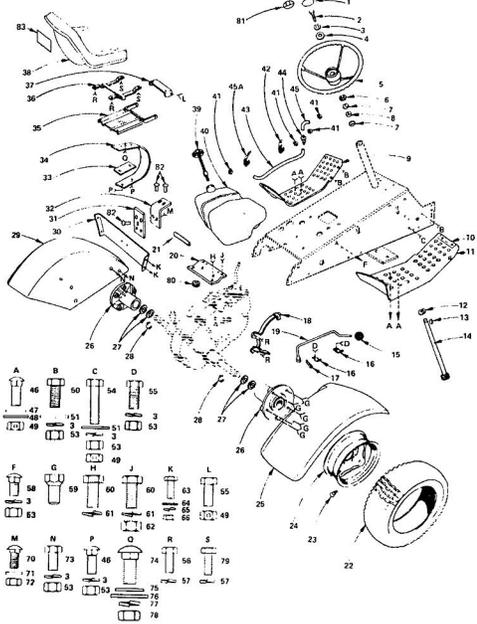
ROPER 18 TWIN HYDRO GARDEN TRACTOR-MODEL NO. T8338AR
ONAN ENGINE-MODEL NO. B48M-GA018/3475A

CYLINDER BLOCK GROUP

KEY NO.	PART NO.	DESCRIPTION	KEY NO.	PART NO.	DESCRIPTION
1	110 2590	Cylinder Block Assembly	21	123 1175	Rivet
2	537 0048	*Plug	22	123 1173	Barble
3	800 0501	*Cap Screw (3/8 - 16 x 1 - 1/4")	23	123 1174	Spring
4	104 0775	*Shim (.025" Thick)	24	110 1870	Valve Cover
5	101 0450	Standard	25	110 2271	Valve Cover
6	101 0450 02	.002" Undersize	26	110 1297	Gasket
7	101 0450 10	.010" Undersize	27	115 8006	*Standard
8	101 0450 20	.020" Undersize	115 8005 01	.001" Oversize	
9	101 0450 30	.030" Undersize	115 8006 02	.002" Oversize	
10	101 0450 40	.040" Undersize	115 8006 05	.005" Oversize	
11	101 0450 50	.050" Oversize	110 1805	Intake Valve	
12	120 0735	*Tube	29	110 1800	Exhaust Valve
13	VALVE 27 AT INERT, EXHAUST		30	800 0010	Cap Screw (1/4 - 20 x 3/4")
14	VALVE 18 AT INERT, INTAKE		31	110 0539	Valve Spring
15	CRANKSHAFT BEARING, FRONT		32	110 0539	Valve Spring Lock
16	110 1824 02	.002" Oversize	33	629 0820	Shut
17	110 1824 05	.005" Oversize	34	609 0046	Cap Screw (3/8 - 16 x 1/2")
18	110 1824 10	.010" Oversize	35	526 0005	Flat Washer, Copper (25/64" I.D. x 9/16" O.D. x 1/16" Thick)
19	110 1824 20	.020" Oversize	36	110 2287	Head Gasket
20	110 1824 25	.025" Oversize	37	CYLINDER HEAD	
21	110 1824 30	.030" Oversize	38	110 2564	Right Side
22	110 1824 40	.040" Oversize	39	110 2563	Left Side
23	110 1824 50	.050" Oversize	40	110 0504	Rock Cap - Exhaust Valves
24	110 0197 02	.002" Oversize	39	526 0016	Flat Washer (17/64" I.D. x 5/8" O.D. x 1/16" Thick)
25	110 0197 05	.005" Oversize	40	526 0122	Flat Washer (11/32" I.D. x 23/32" O.D. x 10 Ga.)
26	110 0197 10	.010" Oversize	41	CAP SCREW SPECIAL	
27	110 0197 25	.025" Oversize	609 0540	5/16 - 18 x 1 - 5/8"	
28	110 0197 50	.050" Oversize	800 0541	5/16 - 18 x 2"	
29	110 0197 75	.075" Oversize	526 0063	Flat Washer, Copper (17/64" I.D. x 7/16" O.D. x 1/32" Thick)	
30	110 0197 100	.100" Oversize	43	110 0893	Retainers - Intake Valves
31	110 0197 150	.150" Oversize	160 1213	Ignition Tune-Up Kit	
32	110 0197 200	.200" Oversize	160 0140	Carbon Removal Gasket Kit	
33	110 0197 250	.250" Oversize	160 0141	Engine Gasket Kit	
34	110 0197 300	.300" Oversize			
35	110 0197 350	.350" Oversize			
36	110 0197 400	.400" Oversize			
37	110 0197 450	.450" Oversize			
38	110 0197 500	.500" Oversize			
39	110 0197 550	.550" Oversize			
40	110 0197 600	.600" Oversize			
41	110 0197 650	.650" Oversize			
42	110 0197 700	.700" Oversize			
43	110 0197 750	.750" Oversize			
44	110 0197 800	.800" Oversize			
45	110 0197 850	.850" Oversize			
46	110 0197 900	.900" Oversize			
47	110 0197 950	.950" Oversize			
48	110 0197 1000	1.000" Oversize			
49	110 0197 1050	1.050" Oversize			
50	110 0197 1100	1.100" Oversize			
51	110 0197 1150	1.150" Oversize			
52	110 0197 1200	1.200" Oversize			
53	110 0197 1250	1.250" Oversize			
54	110 0197 1300	1.300" Oversize			
55	110 0197 1350	1.350" Oversize			
56	110 0197 1400	1.400" Oversize			
57	110 0197 1450	1.450" Oversize			
58	110 0197 1500	1.500" Oversize			
59	110 0197 1550	1.550" Oversize			
60	110 0197 1600	1.600" Oversize			
61	110 0197 1650	1.650" Oversize			
62	110 0197 1700	1.700" Oversize			
63	110 0197 1750	1.750" Oversize			
64	110 0197 1800	1.800" Oversize			
65	110 0197 1850	1.850" Oversize			
66	110 0197 1900	1.900" Oversize			
67	110 0197 1950	1.950" Oversize			
68	110 0197 2000	2.000" Oversize			
69	110 0197 2050	2.050" Oversize			
70	110 0197 2100	2.100" Oversize			
71	110 0197 2150	2.150" Oversize			
72	110 0197 2200	2.200" Oversize			
73	110 0197 2250	2.250" Oversize			
74	110 0197 2300	2.300" Oversize			
75	110 0197 2350	2.350" Oversize			
76	110 0197 2400	2.400" Oversize			
77	110 0197 2450	2.450" Oversize			
78	110 0197 2500	2.500" Oversize			
79	110 0197 2550	2.550" Oversize			
80	110 0197 2600	2.600" Oversize			
81	110 0197 2650	2.650" Oversize			
82	110 0197 2700	2.700" Oversize			
83	110 0197 2750	2.750" Oversize			
84	110 0197 2800	2.800" Oversize			
85	110 0197 2850	2.850" Oversize			
86	110 0197 2900	2.900" Oversize			
87	110 0197 2950	2.950" Oversize			
88	110 0197 3000	3.000" Oversize			
89	110 0197 3050	3.050" Oversize			
90	110 0197 3100	3.100" Oversize			
91	110 0197 3150	3.150" Oversize			
92	110 0197 3200	3.200" Oversize			
93	110 0197 3250	3.250" Oversize			
94	110 0197 3300	3.300" Oversize			
95	110 0197 3350	3.350" Oversize			
96	110 0197 3400	3.400" Oversize			
97	110 0197 3450	3.450" Oversize			
98	110 0197 3500	3.500" Oversize			
99	110 0197 3550	3.550" Oversize			
100	110 0197 3600	3.600" Oversize			
101	110 0197 3650	3.650" Oversize			
102	110 0197 3700	3.700" Oversize			
103	110 0197 3750	3.750" Oversize			
104	110 0197 3800	3.800" Oversize			
105	110 0197 3850	3.850" Oversize			
106	110 0197 3900	3.900" Oversize			
107	110 0197 3950	3.950" Oversize			
108	110 0197 4000	4.000" Oversize			
109	110 0197 4050	4.050" Oversize			
110	110 0197 4100	4.100" Oversize			
111	110 0197 4150	4.150" Oversize			
112	110 0197 4200	4.200" Oversize			
113	110 0197 4250	4.250" Oversize			
114	110 0197 4300	4.300" Oversize			
115	110 0197 4350	4.350" Oversize			
116	110 0197 4400	4.400" Oversize			
117	110 0197 4450	4.450" Oversize			
118	110 0197 4500	4.500" Oversize			
119	110 0197 4550	4.550" Oversize			
120	110 0197 4600	4.600" Oversize			
121	110 0197 4650	4.650" Oversize			
122	110 0197 4700	4.700" Oversize			
123	110 0197 4750	4.750" Oversize			
124	110 0197 4800	4.800" Oversize			
125	110 0197 4850	4.850" Oversize			
126	110 0197 4900	4.900" Oversize			
127	110 0197 4950	4.950" Oversize			
128	110 0197 5000	5.000" Oversize			
129	110 0197 5050	5.050" Oversize			
130	110 0197 5100	5.100" Oversize			
131	110 0197 5150	5.150" Oversize			
132	110 0197 5200	5.200" Oversize			
133	110 0197 5250	5.250" Oversize			
134	110 0197 5300	5.300" Oversize			
135	110 0197 5350	5.350" Oversize			
136	110 0197 5400	5.400" Oversize			
137	110 0197 5450	5.450" Oversize			
138	110 0197 5500	5.500" Oversize			
139	110 0197 5550	5.550" Oversize			
140	110 0197 5600	5.600" Oversize			
141	110 0197 5650	5.650" Oversize			
142	110 0197 5700	5.700" Oversize			
143	110 0197 5750	5.750" Oversize			
144	110 0197 5800	5.800" Oversize			
145	110 0197 5850	5.850" Oversize			
146	110 0197 5900	5.900" Oversize			
147	110 0197 5950	5.950" Oversize			
148	110 0197 6000	6.000" Oversize			
149	110 0197 6050	6.050" Oversize			
150	110 0197 6100	6.100" Oversize			
151	110 0197 6150	6.150" Oversize			
152	110 0197 6200	6.200" Oversize			
153	110 0197 6250	6.250" Oversize			
154	110 0197 6300	6.300" Oversize			
155	110 0197 6350	6.350" Oversize			
156	110 0197 6400	6.400" Oversize			
157	110 0197 6450	6.450" Oversize			
158	110 0197 6500	6.500" Oversize			
159	110 0197 6550	6.550" Oversize			
160	110 0197 6600	6.600" Oversize			
161	110 0197 6650	6.650" Oversize			
162	110 0197 6700	6.700" Oversize			
163	110 0197 6750	6.750" Oversize			
164	110 0197 6800	6.800" Oversize			
165	110 0197 6850	6.850" Oversize			
166	110 0197 6900	6.900" Oversize			
167	110 0197 6950	6.950" Oversize			
168	110 0197 7000	7.000" Oversize			
169	110 0197 7050	7.050" Oversize			
170	110 0197 7100	7.100" Oversize			
171	110 0197 7150	7.150" Oversize			
172	110 0197 7200	7.200" Oversize			
173	110 0197 7250	7.250" Oversize			
174	110 0197 7300	7.300" Oversize			
175	110 0197 7350	7.350" Oversize			
176	110 0197 7400	7.400" Oversize			
177	110 0197 7450	7.450" Oversize			
178	110 0197 7500	7.500" Oversize			
179	110 0197 7550	7.550" Oversize			
180	110 0197 7600	7.600" Oversize			
181	110 0197 7650	7.650" Oversize			
182	110 0197 7700	7.700" Oversize			
183	110 0197 7750	7.750" Oversize			
184	110 0197 7800	7.800" Oversize			
185	110 0197 7850	7.850" Oversize			
186	110 0197 7900	7.900" Oversize			
187	110 0197 7950	7.950" Oversize			
188	110 0197 8000	8.000" Oversize			
189	110 0197 8050	8.050" Oversize			
190	110 0197 8100	8.100" Oversize			
191	110 0197 8150	8.150" Oversize			
192	110 0197 8200	8.200" Oversize			
193	110 0197 8250	8.250" Oversize			
194	110 0197 8300	8.300" Oversize			
195	110 0197 8350	8.350" Oversize			
196	110 0197 8400	8.400" Oversize			
197	110 0197 8450	8.450" Oversize			
198	110 0197 8500	8.500" Oversize			
199	110 0197 8550	8.550" Oversize			
200	110 0197 8600	8.600" Oversize			
201	110 0197 8650	8.650" Oversize			
202	110 0197 8700	8.700" Oversize			

REPAIR PARTS

20T GARDEN TRACTOR-MODEL NO. T9329AR
STEERING AND FINAL DRIVE



REPAIR PARTS

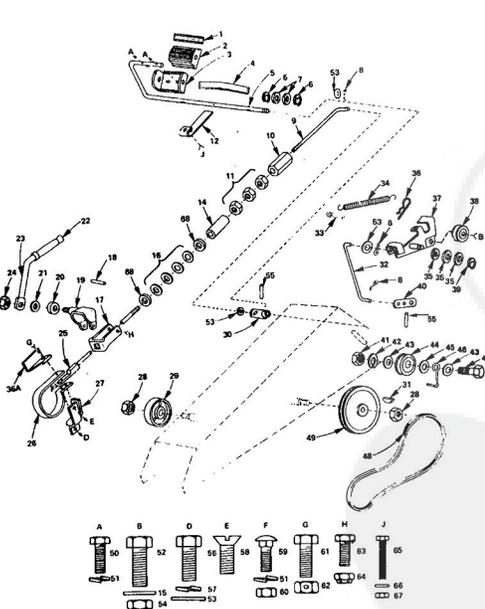
20T GARDEN TRACTOR-MODEL NO. T9329AR
STEERING AND FINAL DRIVE

KEY NO.	PART NO.	DESCRIPTION	KEY NO.	PART NO.	DESCRIPTION
1	9719R	Steering Wheel Inset	46	61P	Sq. Nt. Shft. Cou. Bolt 3/8 x 1 Ga. 5
2	3022P	*Hex Bolt 2/8 x 16 x 1	47	1813P	Washer 13/32 x 13/16 x 16 Ga.
3	1004P	*Lockwasher 3/8	48	1519P	Washer 10/32 x 1 x 17 Ga.
4	1559P	Washer 7/16 x 1 x 10 Ga.	49	5394H	Locknut 3/8 UNC
5	3644R	Steering Wheel	50	2025P	*Hex Bolt 3/8 x 16 x 1 1/4
6	6003P	E-Ring	51	1557P	Washer 13/32 x 13/16 x 11 Ga.
7	9007H	Cap	53	501P	*Hex Nut 3/8 - 16 UNC
8	5949H	Rubber Bushing	54	3022P	*Hex Bolt 3/8 x 1 1/2
9	7903R	Foot Rest - L.H.	55	3022P	*Hex Bolt 3/8 x 16 x 7/8
10	8509P	Steel Kickback Clutch	56	2019P	*Hex Bolt 5/16 - 20 x 3/4
11	7904D	Foot Rest - R.H.	57	1003P	*Lockwasher 5/16
12	1552P	Washer 5/16 x 1 - 1/4 x 16 Ga.	58	1304H	Sq. Neck Carriage Bolt 3/8 - 16 x 3/4
13	8808M1	Woodruff Key 3/16 x 3/8	59	3024P	Hex Bolt 3/8 - 16 x 1
14	634A22E	Steering Shaft and Pinion	60	500P	*Hex Nut 1/4 - 14 UNC
15	6384H	Control Knob	61	1001H	Lockwasher 7/16
16	6421H	Shift Rod Bracket	62	500P	*Hex Nut 1/4 - 14 UNC
17	2511R	Cotter Pin 2016 x 1	63	3003P	*Hex Bolt 1/4 - 20 x 3/4
18	634A22A	Shift Rod	64	1505P	*Washer 9/32 x 5/8 x 16 Ga.
19	9524R	Transmission Bracket	65	1003P	*Lockwasher 1/4
20	8514H	Seat Stop	66	603P	*Hex Nut 1/4 - 20 UNC
21	4607R	Rear Tire 23 x 10.50 - 12	67	16P	*Steel Shoulder Sq. Neck Carriage Bolt 5/16 - 18 x 3/4
22	785R	Tire Valve	71	1537P	Washer 11/32 x 13/16 x 16 Ga.
23	2425P	Rear Wheel	72	1685H	Lock Nut 5/16 - 18 UNC
24	9428R	Fender - R.H.	73	3021P	*Hex Bolt 3/8 - 16 x 3/4
25	634A02E	Wheel Hub - Rear	74	52P	Carriage Bolt 1/2 - 13 x 1 - 1/4 Gr. 5
26	7660R	Axle Thrust Washer	75	1570P	Washer 3/4 x 1 - 1/8 x 11 Ga.
27	5895H	Braking Ring	76	1860P	Washer 17/32 x 1 - 1/2 x 11 Ga.
28	9427R	Fender - L.H.	77	1000P	*Lockwasher 1/2
29	2056H	Bracket - Tail Light	78	502P	*Hex Nut 1/2 - 13 UNC
30	125U	Seat Foam Retainer	79	3159P	*Hex Bolt 5/16 - 18 x 7/8
31	125U	Seat Stop Bracket	80	5547R	Rubber Grommet
32	135U	Seat Spring	81	235A	Steering Wheel Detail
33	8141H	Seat Spring Reinforcement	82	124	Rubber Burner
34	7888H	Seat Spring	83	245J	Detail - Roper
35	634A17E	Seat Plate Weldment	1418J	Warranty Tag	
36	634A53Z	Seat Bracket Weldment	1418J	Owner's Manual	
37	7827H	Bracket, Seat Pivots			
38	9744R	Seat			
39	2329H	Fuel Gauge			
40	7885R	Fuel Tank			
41	6899R	Fuel Line Clamp			
42	2751R	Clip - Fuel Line			
43	897J	Fuel Line			
44	7741R	In-Line Filter			
45	903J	Fuel Line Elbow			
46A	9297R	Clip - Fuel Line			

*STANDARD HARDWARE - PURCHASE LOCALLY

REPAIR PARTS

20T GARDEN TRACTOR-MODEL NO. T9329AR
BRAKE AND CLUTCH



REPAIR PARTS

20T GARDEN TRACTOR-MODEL NO. T9329AR
BRAKE AND CLUTCH

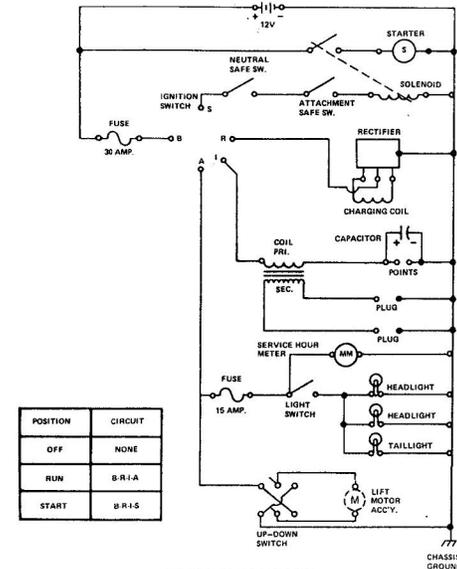
KEY NO.	PART NO.	DESCRIPTION	KEY NO.	PART NO.	DESCRIPTION
1	8899R	Insert Clutch Brake	27	634A75A	Inner Bracket Weldment
2	8827R	Foot Pedal	38	6038H	Inner
3	8960H	Foot Pedal Bracket	39	5002P	E-Ring
4	9008H	Screw	40	634A05B	Steering Arm Assembly
5	111J	Foot Pedal Shaft	41	600P	*Hex Nut 7/16 - 14 UNC
6	5001P	E-Ring	42	1001P	Lockwasher 7/16
7	1527R	Washer 21/32 x 7/8 x 16 Ga.	43	1544P	Washer 15/32 x 15/16 x 16 Ga.
8	2005P	Cotter Pin 1/8 x 3/4	44	6625H	Flat Idler 1/2 x 1 - 1/8 x 11 Ga.
9	2307H	Brake Rod - Front	45	1520P	Washer #60 I.D. x 1 - 1/8 x 11 Ga.
10	6417H	Turboclutch	46	6479H1	Belt Fange
11	501P	*Hex Nut 3/8 - 16 UNC	47	2025P	*Hex Bolt 3/8 - 16 x 2 - 1/2
12	7823R	Safety Start Actuator	48	2692R	V-Belt
14	2201R	Bushing	49	5451H2	Patley, Transmission
15	1551P	Washer 13/32 x 13/16 x 11 Ga.	50	3003P	*Hex Bolt 1/4 - 20 x 3/4
16	2262R	Spring Washer	51	1003P	Lockwasher 1/4
17	9666R	Parking Brake Yoke	52	3341P	*Fin. Hex Bolt 3/8 - 24 x 1
18	175H	Roll Pin	53	1813P	Washer 13/32 x 13/16 x 16 Ga.
19	634A08T	Lock Bracket Assembly	54	146P	*Hex Nut 3/8 - 24 UNC
20	2221R	Parking Brake Spacer	55	8142H	Roll Pin
21	9592H	Seal Washer	56	3022P	*Hex Bolt 3/8 - 16 x 7/8
22	4379H	Handle Grip	57	1004P	*Lockwasher 3/8
23	634A24T	Parking Lock Handle Assembly	58	3164P	Full Hd. Machine Screw - Undercut 3/8 - 18 x 3/4
24	7810H	Grisco Centerlock Nut 3/8 - 24 UNF	59	11P	Sq. Neck Carriage Bolt 1/4 - 20 x 5/8
25	626A30S	Brake Rod Assembly	60	603P	*Hex Nut 1/4 - 20 UNC
26	634A16Z	Brake Band Assembly	61	3168P	*Hex Bolt 5/16 - 18 x 7/8
27	634A16B	Brake Bracket Assembly	62	1685H	Locknut 5/16 - 18 UNC
28	9004H	Lock Nut 1/2 - 20 UNF	63	2244P	*Hex Bolt 1/4 - 20 x 5/8 Gr. 5
29	214J	Brake Drum	64	8071H	Hex Hd. Mach. Screw 6 - 32 x 1
30	634A09S	Brake Arm Assembly	65	3328P	Hex Hd. Mach. Screw 6 - 32 x 1
31	9858M1	Woodruff Key	66	1567P	Washer 5/32 x 3/8 x 20 Ga.
32	9398R	Clutch Rod	67	562P	Centerlock Nut 6 - 32 UNC
33	2514P	Cotter Pin 1/4 x 1	68	1802P	Washer 13/32 x 5/8 x 11 Ga.
34	6469H	Spring			
35	1687P	*Washer 17/32 x 1 - 1/16 x 21 Ga.			
36	4829M	Retainer Spring			
36A	644J	Hose Shield			

*STANDARD HARDWARE - PURCHASE LOCALLY

REPAIR PARTS

20T GARDEN TRACTOR-MODEL NO. T9329AR

SCHEMATIC DIAGRAM



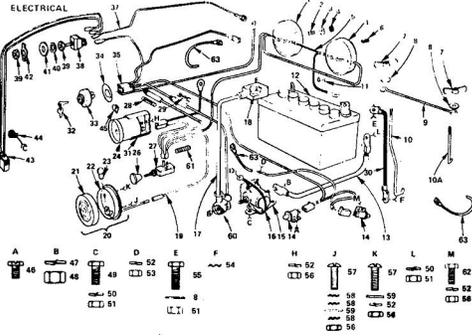
POSITION	CIRCUIT
OFF	NONE
RUN	B-R-I-A
START	B-R-I-S

WIRING CLIPS AND CABLE TIES

If Clips or Ties were removed for servicing of unit, they should be replaced to properly secure your wiring.

REPAIR PARTS

20T GARDEN TRACTOR-MODEL NO. T9329AR

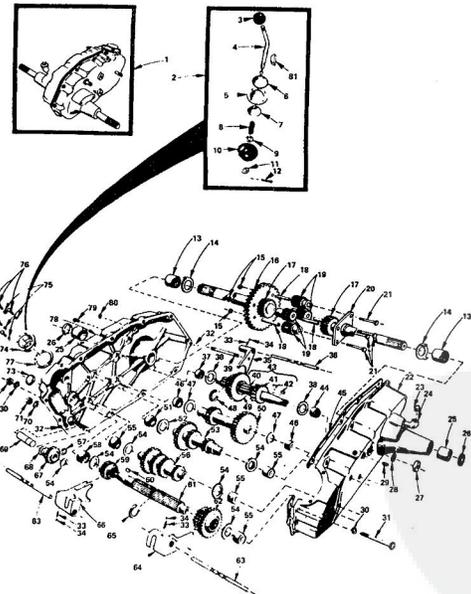


KEY NO.	PART NO.	DESCRIPTION	KEY NO.	PART NO.	DESCRIPTION
1	8452R	Headlight	33	2683R	Ignition Switch
2	3554P	Phillips Pan Hd. Thd. Cutting Screw No. 10 - 16 x 1/2	34	8668R	Terminal Identifier
3	8780H	Mounting Clip	35	1492J	Wire Harness, Main
4	8784H1	Rubber Spacer	37	8688R	Wire, Ground Lift Switch
5	8231R	Headlight Ground Wire	38	566P	Switch, Elec. Lft.
6	8197H	Hose	39	566P	Hex Nut, Smt. 7/16 - 32 NS - 2A
7	3748M	Washer Nut 1/4 - 20 UNC	40	7318R	Lockwasher, Internal Tooth
8	1506P	Washer 9/32 x 5/8 x 16 Ga.	41	1818P	Washer 15/32 x 11/16 x 18 Ga.
9	7955R	Battery Clamp	42	8320R	Switch Frame
10	2688R	Battery Bolt	43	8865R	Lift Motor Harness
10A	881	Battery Bolt	44	8320R	Clp. Wire
11	4171R	Insulated Clip	45	8815R	Clp. Wire
12	228J	Battery	45	5554P	Clp. Wire
13	2238R	Cable - Solenoid to Start.	47	1003P	Stripped Hex Indented Hd. Self Tapping Screw No. 10 - 24 x 3/8 Type 1
14	7755R	Solenoid	48	538P	Lockwasher 5/16
15	7754H	Solenoid	48	538P	*Hex Jam Nut 5/16 - 24 UNF
16	8027R	Wire - Ground to Solenoid	49	3115P	*Hex Bolt 1/4 - 20 x 5/8
17	116J	Battery Cable	50	1002P	*Lockwasher 1/8
18	225J	Terminal Post	51	852P	*Hex Nut 1/4 - 20 UNC
19	8033R	Light Harness	52	1006P	*Lockwasher No. 10
20	8085H	Lens - Taillight	53	1006P	*Hex Nut No. 10 - 32 UNF
21	8292H	Lens - Taillight	54	1402P	*Ext. Tooth Lockwasher 3/8
22	8253H	Bulb No. 1895 2 Candle Power	55	505P	*Hex Bolt 1/4 - 20 x 3/4
23	8291H	Bulb No. 1895 2 Candle Power	55	505P	*Hex Nut No. 10 - 24 UNC
24	7733R	Maintenance Meter	57	1003P	*Hex Bolt 7/32 x 1 1/2 x 18 Ga.
25	7734R	Light Switch Knob	58	1404P	*Ext. Tooth Lockwasher No. 10
26	7733R	Light Switch	59	1504P	*Hex Bolt 7/32 x 1 1/2 x 18 Ga.
28	2112R	Fuse - 15 Amp.	60	51J	Solenoid Terminal Cover
29	6247R	Fuse - 30 Amp.	61	1052J	Cable Tie
30	2753R	Battery Cable - Ground	62	3218P	Hex Hd. Mech. Screw No. 10 - 24 x 1/2
31	8066R	Maintenance Meter Bracket	63	1052J	Cable Tie
32	7552H	Key Set			*STANDARD HARDWARE-PURCHASE LOCALLY

REPAIR PARTS

20T GARDEN TRACTOR-MODEL NO. T9329AR

TRANSAXLE



REPAIR PARTS

20T GARDEN TRACTOR-MODEL NO. T9329AR

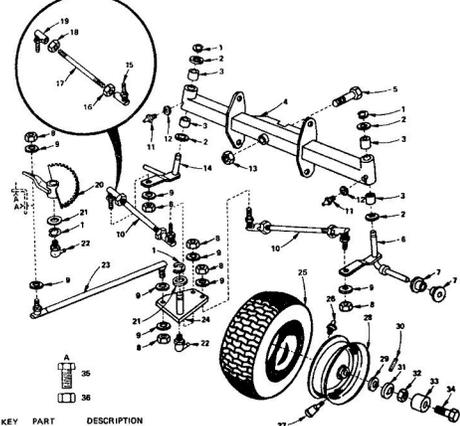
TRANSAXLE

KEY NO.	PART NO.	DESCRIPTION	KEY NO.	PART NO.	DESCRIPTION
1	633A92	Transaxle Assembly Less Brake Drum & Shift Lever (Inc. Key No's. 12 thru 80)	44	8115M	Needle Bearing
2	633A82	Gear Shift Lever Assembly (Inc. Key No's. 3 thru 12 and 81)	45	6275H	Gasket - Gearcase
3	6386H	Control Knob	46	8117M	Needle Bearing
4	9635R	Gear Shift Lever	47	7396H	Thrust Bearing Race
5	633A85	Gear Shift Ball Cover and Pin	48	6270H	Snap Ring - Crescent Type
6	9013R	Gear Shift Cap	49	633A14	High - Low Range Gears and Hub
7	8178H1	Shift Lever Guide Ball	50	633A33	4th Reduction Shaft and Gears
8	4024H	Spring	51	7395H	Needle Bearing
9	1802P	*Washer 15/32 x 5/8 x 16 Ga.	52	2395H	2nd Reduction Shaft and Gears
10	8105R	Shift Mechanism Seal	53	633A31	Thrust Bearing Race
11	1525P	Washer 9/16 x 5/16 x 11 Ga.	54	1370H	Needle Bearing
12	2505P	Center 1/8 x 3/4	55	4895H	Needle Bearing
13	2035R	Needle Bearing	56	83A20	Speed Change Gear and Shaft
14	6268H	Axle Thrust Washer	57	5001P	E-Ring
15	7810H	Centerlock Gripco Nut 3/8 - 24 UNF	58	4894H	Needle Bearing
16	8662H	Input Shaft	59	6201H	Low Speed Pinion
17	633A13	Axle Shaft and Gear	60	8850M1	Woodruff Key
18	6292H1	Beaking - Differential Pinion	61	6218H	Input Shaft
19	8657H	Differential Pinion	62	633A11	Intermediate and High-Speed Pinions
20	6263H1	Differential Carrier	63	6219H	Shift Fork Shaft
21	3056P	Hex Bolt - 24 x 3 - 1/4 1" Thread Length	64	4210R	Shift Fork - L.H.
22	633A89	Gear Case and Bearings - L.H.	65	4922H	Snap Ring - Crescent Type
23	4002P	Pipe Plug 1/2 - 14 N.P.T.	66	6202H	Shift Fork - R.H.
24	4003P	SB Street Elbow 1/2 - 14 N.P.T.	67	1153R	Reverse Idler Gear
25	8920R1	Sintered Iron Bearing	68	7392H	Reverse Idler Shaft
26	7392R	Oil Seal	69	7384H	Reverse Idler Thrust Washer
27	6204H	Lock Nut	70	1167R	Reverse Idler Shaft
28	6271H	Oil Seal	71	1167R	Sealing Washer
29	4001P	Pipe Plug 1/4 - 18 N.P.T.	72	604P	*Hex Jam Nut 7/16 - 20 UNF
30	1001P	Lockwasher 5/16 Extra Heavy	73	6270H	Oil Seal
31	3087P	*Hex Bolt 5/16 - 18 x 1 - 1/2 G 5	74	75J	Gear Shift Gate
32	6271H	Down Pin	75	1003P	*Lockwasher 5/16
33	6272H	Spring - Shift Fork Detent	76	2195P	*Hex Bolt 5/16 - 18 x 7/8
34	7392M	Steel Pin	77	6274H	Gasket - Shift Ball Cover
35	6200H	High - Low Range Shift Fork Shaft	78	633A10	Gear Case, Reverse Idler Shaft and Bearings R.H.
36	6217H	High - Low Range Shift Fork Shaft	79	8655H	Pressure Relief Valve
37	8118M	Needle Bearing	80	6266H	Oil Seal
38	6266H	Thrust Bearing Race	81	7825M	Woodruff Key
39	6215H	High - Low Range Shift Shaft			*STANDARD HARDWARE-PURCHASE LOCALLY
40	6211H	3rd Reduction Gear Shaft			
41	8659H	4th Reduction Pinion			
42	2229M	Woodruff Key			
43	633A32	3rd Reduction Shaft and Gear (Inc. Key No's. 40, 41 & 42)			

REPAIR PARTS

20T GARDEN TRACTOR-MODEL NO. T9329AR

FRONT AXLE



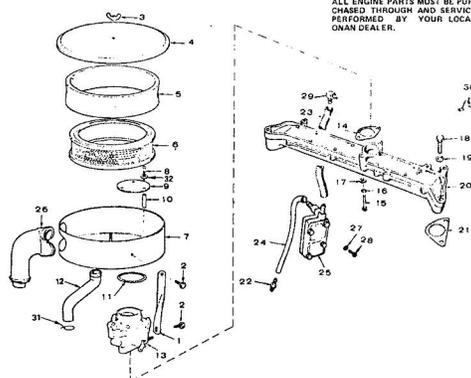
KEY NO.	PART NO.	DESCRIPTION	KEY NO.	PART NO.	DESCRIPTION
1	6000P	E-Ring	22	6842M	Grease Fitting
2	1528P	Washer 13/16 x 1 - 1/4 x 14 Ga.	23	7577B	Drag Link and Joints
3	1358H	Bearing	24	634AB	Steering Ball Crank Weldment
4	634A621	Front Axle w/Bearings (Inc. Key No. 3)	25	3835R	Front Tire 18 x 6.50-5
5	3254P	Hex Bolt 5/8 - 11 x 5 Grade 5	26	6858M	Grease Fitting 1/4 - 28 Taper Thrd.
6	634A277	Spindle Complete - R.H.	27	7575R	Tire Valve
7	8240H	Flanged Bearing	28	3635R	Front Wheel and Bearings
8	7810H	Gripco Locknut 3/8 - 24 UNF	29	165R	Wear Washer
9	2615R	Hardened Washer	30	8788H	Roll Pin 5/32 x 1 - 1/2 x 16 Ga.
10	7838R	Tie Rod and Joints (Inc. Key No's 16, 18, 17, 18 & 19)	31	8755H	Dist Cap-Drive
11	6858M	Grease Fitting	32	4821H	Elastic Nut 3/4 - 16 UNF
12	1958P	Washer 1/2 x 1 1/2 x 14 Ga.	33	8755H	Dist Cap-Drive
13	4764H	Hoglock Nut 6/8 - 11 UNC	34	3000P	*Hex Bolt 5/8 - 18 x 1/2
14	634A27B	Spindle Complete - L.H.	35	3441P	*Hex Bolt 3/8 - 24 x 1
15	8515R	Tie Rod Joint (R.H. Thread)	36	640P	*Hex Jam Nut 3/8 - 24 UNF
16	596P	*Hex Jam Nut 1/2 - 20 (L.H. Thread)			
17	634A819	Tie Rod and Nuts (Inc. Key No's 16 & 18)			
18	600P	*Hex Jam Nut 1/2 - 20 (L.H. Thread)			
19	8514R	Tie Rod Joint (L.H. Thread)			
20	634A813	Steering Gear Sector and Arm			
21	1552P	Washer 49/64 x 1 - 1/4 x 16 Ga.			

*STANDARD HARDWARE-PURCHASE LOCALLY

REPAIR PARTS

20T GARDEN TRACTOR-MODEL NO. T9329AR
ONAN ENGINE-MODEL NO. N52M-GA019/9/3580B

FUEL SYSTEM GROUP



ALL ENGINE PARTS MUST BE PURCHASED THROUGH AND SERVICE PERFORMED BY YOUR LOCAL ONAN DEALER.

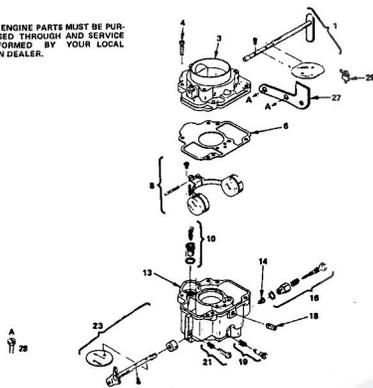
KEY NO.	PART NO.	DESCRIPTION	KEY NO.	PART NO.	DESCRIPTION
1	140-1409	Air Cleaner Support	17	526-0115	Flat Washer (11/32" I.D. x 1 1/16" O.D. x 1/16" Thick)
2	821-0009	Cap Screw, Hex Head Locking (1/4 - 20 x 3/8")	18	800-0058	Lockwasher, Spring (3/8" x 3")
3	865-0020	Wing Nut (1/4 - 20)	19	869-0050	Lockwasher, Spring (3/8")
4	140-1406	Air Cleaner Cover	20	154-0229	Insulator Manifold
5	140-1496	Wrapper	21	154-1483	Gasket
6	140-1579	Element	22	552-0295	Conductor
7	140-1498	Air Cleaner Housing	23	503-0874	Fuel Line
8	815-0470	Binder Head Machine Screw w/Nylon Patch (No. 10 - 32 x 1 - 1/2")	24	503-0910	Air Inlet Tube
9	140-1500	Blower	25	148-1544	Fuel Pump
10	140-1501	Deflector Plate	26	140-1495	Air Inlet Tube
11	509-0145	Seal, "O" Ring	27	850-0025	Lockwasher, Spring (No. 8)
12	123-1264	Breather Hose	28	812-0075	Round Head Machine Screw (No. 8 - 32 x 1 1/4")
13	146-0271	Carburetor Assembly (See Separate Group for Components)	29	502-0310	Elbow
14	154-0733	Gasket	30	463-1480	Lifting Bracket
15	800-0035	Cap Screw, Hex Head (5/16 - 18 x 2 - 1/2")	31	503-0171	Hex Clamp
16	850-0045	Lockwasher, Spring (5/16")	32	850-0070	Lockwasher (No. 10)
				148-1552	Fuel Pump Repair Kit

REPAIR PARTS

20T GARDEN TRACTOR-MODEL NO. T9329AR
ONAN ENGINE-MODEL NO. N52M-GA019/9/3580B

CARBURETOR PARTS GROUP

ALL ENGINE PARTS MUST BE PURCHASED THROUGH AND SERVICE PERFORMED BY YOUR LOCAL ONAN DEALER.



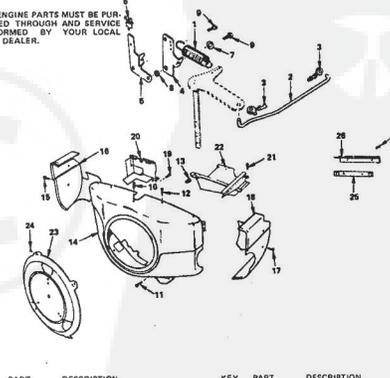
KEY NO.	PART NO.	DESCRIPTION	KEY NO.	PART NO.	DESCRIPTION
1	146-0271	Carburetor Assembly, Complete	18	146-0211	Set Screw
2	146-0290	Choke Shaft Package	19	146-0209	*Needs Package
3	146-0290	Air Inlet (See Note Separately)	21	146-0281	Screw Package
4	146-0284	Screw	23	146-0270	Throttle Shaft Package
6	146-0203	Gasket	27	153-0515	Bracket, Choke Cable
8	146-0282	Front Assembly Package	28	821-0002	Mounting Screw
10	146-0277	*Valve and Seat Package	29	153-0514	Calisk Clip
13	146-0238	Body (Not Self-Sealing)	---	146-0220	*Gasket Kit
16	146-0238	Power Jet	---	146-0228	Repair Kit (Includes Parts Marked H)
18	146-0216	*Power Needs Package	---	---	*PARTS CONTAINED IN 146-0228 REPAIR KIT.

REPAIR PARTS

20T GARDEN TRACTOR-MODEL NO. T9329AR
ONAN ENGINE-MODEL NO. N52M-GA019/9/3580B

GOVERNOR AND AIR HOUSING GROUP

ALL ENGINE PARTS MUST BE PURCHASED THROUGH AND SERVICE PERFORMED BY YOUR LOCAL ONAN DEALER.

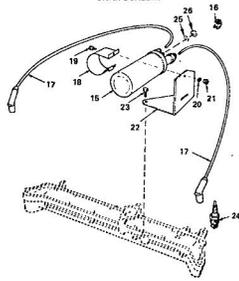
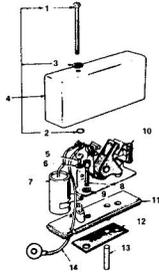


KEY NO.	PART NO.	DESCRIPTION	KEY NO.	PART NO.	DESCRIPTION
1	150-1314	Governor Spring	16	815-0261	Cap Screw, Hex Head Locking (1/4 - 20 x 7/16")
2	150-1513	Throttle Link	17	134-3440	Air Housing, Left Side
3	518-0304	Clip	18	815-0261	Cap Screw, Hex Head Locking (1/4 - 20 x 7/16")
4	150-1576	Governor Control Arm	19	815-0261	Cap Screw, Hex Head Locking (1/4 - 20 x 7/16")
5	150-1725	Governor Control Mounting Bracket	18	134-3448	Air Housing, Right Side
6	153-0514	Cable Clip	19	815-0261	Cap Screw, Hex Head Locking (1/4 - 20 x 7/16")
7	526-0214	Flat Washer (1 7/8" I.D. x 1 1/2" O.D. x 1/16" Thick)	20	134-3646	Housing Support, Left Side
8	150-1269	Bushing	21	821-0015	Cap Screw, Hex Head Locking (1/4 - 20 x 5/8")
9	821-0010	Hex Head Cap Screw, Locking (1/4 - 20 x 1/2")	22	134-3691	Housing Support, Right Side
10	815-0261	Cap Screw, Hex Head Locking (1/4 - 20 x 7/16")	23	134-3589	Housing, Screen
11	821-0010	Cap Screw, Hex Head Locking (1/4 - 20 x 1/2")	24	815-0235	Cap Screw, Hex Head w/E-T (No. 14 x 1/2")
12	815-0474	Cap Screw, Tapping Hex Head (1/4 x 1/2")	25	134-3510	Support Mounting Bracket
13	870-0107	Nut, Spring (No. 14)	26	134-3511	Housing Support, Lower
14	134-3747	Air Housing	27	821-0009	Cap Screw, Hex Head Locking (1/4 - 20 x 3/8")

REPAIR PARTS

20T GARDEN TRACTOR-MODEL NO. T9329AR
ONAN ENGINE-MODEL NO. N52M-GA019.9/3580B

IGNITION AND BREAKER BOX GROUP



ALL ENGINE PARTS MUST BE PURCHASED THROUGH AND SERVICE PERFORMED BY YOUR LOCAL ONAN DEALER.

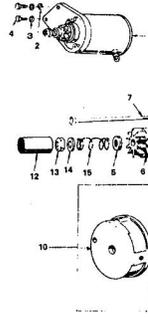
KEY NO.	PART NO.	DESCRIPTION
1	160-1210	Breaker Box (Inc. Parts Marked *)
1	812-0108	"Round Head" Hex. Machine Screw (No. 10 - 24 x 1 - 1/2")
2	509-0065	"Retainer"
3	526-0008	"Flat Washer (1/32\" I.D. x 7/16\" O.D. x 1/32\" Thick)
4	160-1222	"Cover"
5	815-6268	"Cap Screw, Slotted (No. 8 - 32 x 5/16\")"
6	850-0025	"Lockwasher - Spring (No. 8)"
7	312-0186	"Condenser"
8	802-0034	"Cap Screw Socket Head (1/4 - 20 x 3/4\")"
9	850-0038	"Lockwasher, Spring (1/4\")"
10	160-1183	"Point Set"
11	160-1219	"Base"
12	160-1150	"Gasket"
13	160-1151	"Plunger"
14	336-2378	"Lead (Breaker Box to Coil)"

KEY NO.	PART NO.	DESCRIPTION
15	166-0035	"Coil"
16	166-0004	"Cap (Part of Ignition Co.)"
17	SPARK PLUG CABLE	"SPARK PLUG CABLE"
18	167-1596	"18\" "
19	167-1596	"18\" "
20	890-0040	"Lockwasher, Spring (1/4\")"
21	852-0001	"Hex Nut (1/4 - 20)"
22	168-0080	"Bracket"
23	815-0281	"Cap Screw (1/4 - 20 x 9/16)"
24	167-0291	"Spark Plug"
25	850-0065	"Washer - Primary Terminal"
26	166-0254	"Ignition Coil Nut (Primary Terminal)"
26	160-1213	"Turn-up Kit (Inc. Points and Condenser)"
*PARTS INCLUDED IN 160-1210 BREAKER BOX		

REPAIR PARTS

20T GARDEN TRACTOR-MODEL NO. T9329AR
ONAN ENGINE-MODEL NO. N52M-GA019.9/3580B

STARTER PARTS GROUP



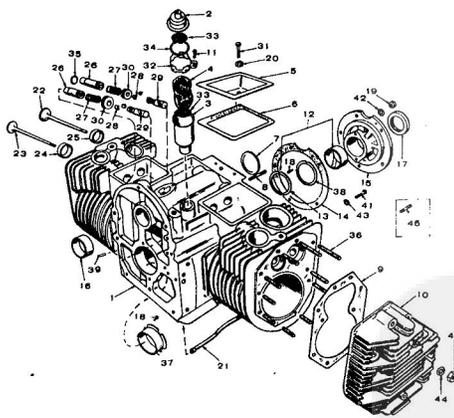
ALL ENGINE PARTS MUST BE PURCHASED THROUGH AND SERVICE PERFORMED BY YOUR LOCAL ONAN DEALER.

KEY NO.	PART NO.	DESCRIPTION
1	191-1205	Starter (Complete)
2	526-0113	"Flat Washer (1/16\" I.D. x 1\" O.D. x 3/32\" Thick)"
3	850-0045	"Lockwasher, Spring (5/16\")"
4	800-0028	"Cap Screw, Hex Head"
5	191-1047	"Spacer"
6	191-1157	"Drive Assembly"
7	191-1157	"Cap Screw, Hex Head"
8	050-0040	"Lockwasher, Spring (1/4\")"
9	191-1223	"Cap Assembly"
10	191-1158	"Armature"
11	191-1154	"Dust Cover"
12	191-1046	"Flat Washer"
14	191-1046	"Flat Washer"
15	191-1036	"Spring"
16	191-1222	"Brush, Spring and Stud Kit"

REPAIR PARTS

20T GARDEN TRACTOR-MODEL NO. T9329AR
ONAN ENGINE-MODEL NO. N52M-GA019.9/3580B

CYLINDER BLOCK GROUP



ALL ENGINE PARTS MUST BE PURCHASED THROUGH AND SERVICE PERFORMED BY YOUR LOCAL ONAN DEALER.

REPAIR PARTS

20T GARDEN TRACTOR-MODEL NO. T9329AR
ONAN ENGINE-MODEL NO. N52M-GA019.9/3580B

CYLINDER BLOCK GROUP

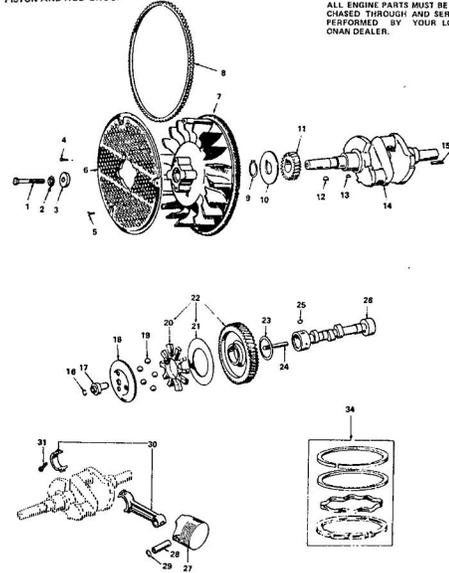
KEY NO.	PART NO.	DESCRIPTION	KEY NO.	PART NO.	DESCRIPTION	
1	110-2686	Cylinder Block Assembly (Inc. Parts Marked *)	29	VALVE TAPPET	Standard	
2	123-0964	"Breather Cap and Valve"	30	110-0094	"Valve Retainer"	
3	123-0952	"Breather Tube"	31	800-0011	"Hex Head Cap Screw (1/4 - 20 x 2\")"	
4	123-0965	"Baffle"	32	123-0851	"Breather Cap Clamp"	
5	110-1624	"Valve Compartment Cover"	33	123-0958	"Breather Screen"	
6	110-1720	"Valve Cover Gasket"	34	509-0017	"Breather Tube Seal"	
7	317-0068	"Expansion Plug"	35	110-0068	"Breaker Valve Guide Gasket"	
8	520-0738	"Stud"	36	CYLINDER HEAD STUD	520-0717 *3/8 x 1 - 7/8"	
9	110-1731	"Head Gasket"	37	CRAW-SHAFT BEARING, FRONT	Standard	
10	110-2975	Cylinder Head	38	194-0778	"Crankshaft Shim"	
11	809-0205	"Round Head Self Tapping Screw (No. 8 x 3/4\")"	39	516-0141	"Alignment Pin"	
12	CRAW-SHAFT BEARING, REAR	101-0400	Standard	40	194-0091	"Hex Nut (3/8 - 24)"
13	104-0675	"Thrust Washer"	41	800-0046	"Hex Head Cap Screw (3/8 - 16 x 1/2\")"	
14	101-0415	"Bearing Plate Gasket"	42	526-0251	"Flat Washer (406\" I.D. x .588\" O.D. x .1355\" Thick)"	
15	101-0439	"Bearing Plate, Rear"	43	526-0066	"Flat Washer, Copper (25.64\" I.D. x 8/16\" O.D. x 1/16\" Thick)"	
16	101-0405	"Crankshaft Bearing"	44	526-0250	"Flat Washer, Steel (.407\" I.D. x 1\" O.D. x 1/8\" Thick)"	
17	809-0041	"Crankshaft Oil Seal"	45	520-0820	"Stud (Wet Hole)"	
18	516-0072	"Bearing Stop Pin"	*PARTS INCLUDED IN CYLINDER BLOCK ASSEMBLY.			
19	194-0091	"Hex Nut (3/8 - 24)"	SERVICE KITS AND MISCELLANEOUS			
20	526-0063	"Flat Washer, Copper (17/64\" I.D. x 7/16\" O.D. x 1/32\" Thick)"	PART DESCRIPTION			
21	120-3680	"Oil Tube"	110-1023	Standard	Decal Kit	
22	110-1514	"Intake Valve"	110-1023-02	0.02\" Oversize	Engines Gaskets Kit	
23	110-1719	"Exhaust Valve"	110-1023-10	.10\" Oversize	Carbon Removal Kit	
24	VALVE SEAT INSERT, EXHAUST	110-1718	Standard	100-1213	Ignition Turn-up Kit	
25	VALVE SEAT INSERT, INTAKE	110-1718-01	0.01\" Oversize	522-0000	Engines Overhaul Kit	
		110-1718-02	0.02\" Oversize			
		110-1718-10	.10\" Oversize			
		110-1718-20	.20\" Oversize			
26	110-1529	"Valve Guide"				
27	110-0528	"Valve Spring"				
28	110-0639	"Valve Spring Lock"				

REPAIR PARTS

20T GARDEN TRACTOR-MODEL NO. T9329AR
ONAN ENGINE-MODEL NO. N52M-GA019.9/3580B

CRANKSHAFT, FLYWHEEL, CAMSHAFT,
PISTON AND ROD GROUP

ALL ENGINE PARTS MUST BE PURCHASED THROUGH AND SERVICE PERFORMED BY YOUR LOCAL ONAN DEALER.



REPAIR PARTS

20T GARDEN TRACTOR-MODEL NO. T9329AR
ONAN ENGINE-MODEL NO. N52M-GA019.9/3580B

CRANKSHAFT, FLYWHEEL, CAMSHAFT,
PISTON AND ROD GROUP

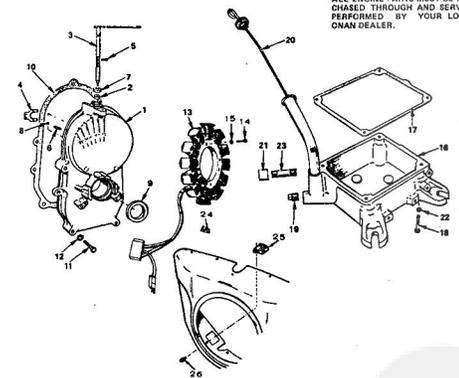
KEY NO.	PART NO.	DESCRIPTION
1	104-0170	Cap Screw (Special)
2	850-0055	Lockwasher, Spring (7/16")
3	526-0267	Flat Washer (15/16" I.D. x 1 - 1/2" O.D. x .31" Thick)
4	821-0014	Cap Screw, Hex Head Locking (5/16 - 18 x 1/2")
5	815-0400	Screw, Truss Hd. Mach. w/Ext. Lw. (1/4 - 20 x 1 1/2")
6	134-3212	Flywheel, Guard
7	134-2740	Flywheel (Inc. Ring Gear and Magnet)
8	104-0178	Ring Gear
9	518-0014	Retaining Ring
10	104-0043	Retaining Washer
11	104-0032	Gear
12	515-0237	Flywheel Key
13	515-0001	Gear Key
14	104-1048	Crankshaft
15	515-0103	Key
16	160-0078	Retaining Ring
17	160-1519	Hub
18	160-1520	Cup
19	510-0015	Flyball
20	160-1257	Spacer
21	160-0071	Plate
22	106-0332	Gear Assembly (Inc. Plate and Spacer)
23	105-0054	Thrust Washer
24	160-0075	Center Pin
25	515-0001	Key
26	105-0282	Camshaft (Includes Center Pin)
27	PISTON AND ROD GROUP	
	112-0198	Standard
	112-0198-05	.005" Oversize
	112-0198-10	.010" Oversize
	112-0198-20	.020" Oversize
	112-0198-30	.030" Oversize
	112-0198-40	.040" Oversize
28	112-0088	Piston Pin
29	018-0294	Retaining Ring
30	CONNECTING ROD GROUP	
	114-0295	Standard
	114-0295-10	.010" Undersize
	114-0295-20	.020" Undersize
	144-0295-30	.030" Undersize
31	890-0038	Rod Cap Bolt
34	RING SET	
	113-0203	Standard
	113-0203-05	.005" Oversize
	113-0203-10	.010" Oversize
	113-0203-20	.020" Oversize
	113-0203-30	.030" Oversize
	113-0203-40	.040" Oversize

REPAIR PARTS

20T GARDEN TRACTOR-MODEL NO. T9329AR
ONAN ENGINE-MODEL NO. N52M-GA019.9/3580B

OIL BASE AND GEARCASE GROUP

ALL ENGINE PARTS MUST BE PURCHASED THROUGH AND SERVICE PERFORMED BY YOUR LOCAL ONAN DEALER.



KEY NO.	PART NO.	DESCRIPTION	KEY NO.	PART NO.	DESCRIPTION
1	103-0498	Gearcase Assembly (Inc. Parts Marked *)	13	191-1218	Stator
2	510-0105	*Bearing	14	813-0108	Round Head Machine Screw (No. 10 - 32 x 1 - 1/2")
3	150-1410	*Shaft and Arm	15	850-0030	Lockwasher (No. 10)
4	150-1187	*Yoke	16	102-0789	Oil Base
5	815-0046	*Flat Head Machine Screw (No. 8 - 32 x 3/8")	17	102-0894	Oil Base Gasket
6	516-0130	*Dowel Pin	18	800-0965	Hex Head Cap Screw (3/8 - 16 x 1 - 1/4")
7	509-0038	*Oil Seal	20	123-1392	Cap and Indicator
8	510-0014	*Bolt	21	506-0198	Oil Drain Cap, Plug (1 1/2")
9	509-0040	*Oil Seal	22	850-0950	Lockwasher (3/8")
10	103-0498	Gasket	23	505-0176	Oil Drain Plug, Plug (1 1/2 x 3 - 1/2")
11	CAP SCREW, HEX HEAD		24	187-0218	Support Alternator Leads
	800-0031	5/16 - 18 x 1 3/4"	25	191-1206	Regulator, Voltage (15 Amp)
	800-0034	5/16 - 18 x 2 1/4"	26	821-0010	Hex Head Cap Screw (1/4 - 20 x 1/2")
12	526-0005	Flat Washer, Copper (21.64" I.D. x 9/16" O.D. x 1/16" Thick)			

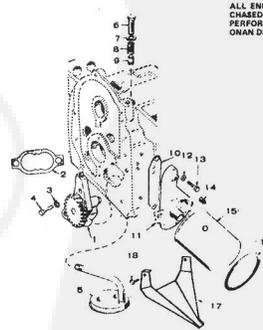
* Parts included in 103-0498 Gearcase Assembly

REPAIR PARTS

20T GARDEN TRACTOR-MODEL NO. T9329AR
ONAN ENGINE-MODEL NO. N52M-GA019.9/3580B

OIL SYSTEM GROUP

ALL ENGINE PARTS MUST BE PURCHASED THROUGH AND SERVICE PERFORMED BY YOUR LOCAL ONAN DEALER.

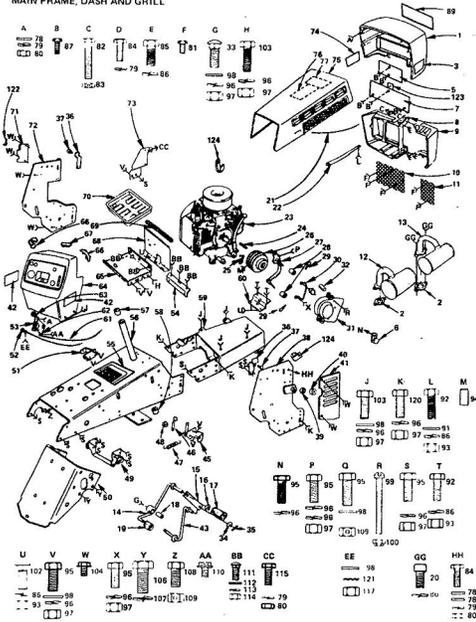


KEY NO.	PART NO.	DESCRIPTION
1	120-0491	Oil Pump
2	120-0101	Pump Gasket Kit
3	850-0040	Lockwasher, Spring (1/4")
4	800-0007	Cap Screw, Hex Head (1/4 - 20 - 1")
5	120-0713	Oil Intake Cup
6	801-0050	Cap Screw, Hex Head (3/8 - 24 x 1")
7	526-0066	Flat Washer, Copper (15/64" I.D. x 9/16" O.D. x 1/16" Thick)
8	120-0140	Spring
9	120-0398	By Pass Valve
10	122-0231	Gasket
11	122-0320	Oil Filter Adapter
12	506-0055	Flat Washer, Copper (21/64" I.D. x 9/16" O.D. x 1/16" Thick)
13	800-0028	Plug (1/8")
14	506-0057	Oil Filter
15	123-0489	Oil Filter
16	123-0347	Oil Filter Air Seal
17	122-0525	Oil Drain
18	815-0194	Cap Screw Hex Head W/E (No. 10 - 32 x 3/8")

REPAIR PARTS

20T GARDEN TRACTOR-MODEL NUMBER T9329BR

MAIN FRAME, DASH AND GRILL



REPAIR PARTS

20T GARDEN TRACTOR-MODEL NUMBER T9329BR

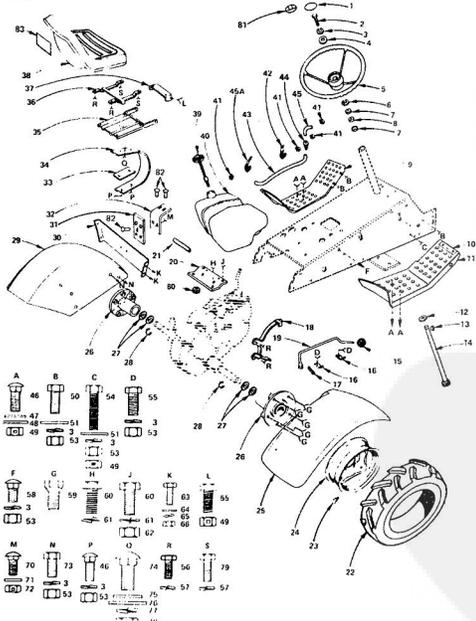
MAIN FRAME, DASH AND GRILL

KEY NO.	PART NO.	DESCRIPTION	KEY NO.	PART NO.	DESCRIPTION
1	911J	Grill - Upper	66	1998R	Clip - Dashboard
2	116E1	Gasket - Exhaust Manifold	67	6571R	Clip - Dashboard, Center
3	1591J	Decal	68	107J	Battery Heat Shield
4	290J	Grill Panel - Upper	69	7874R	Hood Seal
5	870J	Cap - Clip	70	8858R	Battery Tray
6	291J	Grill Panel - Lower	71	86J	Cover - L.H.
7	988J	Grill - Lower	72	1182J	Bracket - Battery Support - L.H.
8	7538R	Grill Side	73	1181J	Bracket - Receiver
9	2614R	Grill Screen - L.H.	74	1590J	Decal
10	2612R	Grill Screen - R.H.	75	634A50T	Decal - Mount Assy.
11	1157J	Muffler - Front	76	8028R	Decal - Instruction
12	1156J	Muffler - Rear	77	8806R	Decal - Wiring
13	634A901	Clutch Pedal	78	1006P	*Washer 9/32 x 5/8 x 18 Ga.
14	89J	Link	79	1002P	*Lockwasher 1/4"
15	92J	Push-On Nut	80	503P	*Hex Nut 1/4" - 20 UNC
16	93J	Rubber Pad	81	5501P	Phillips Pan Hd. Thd. Self Tap 10 - 24 x 3/8 Type 1
17	91J	Pivot Spacer	82	3257P	*Hex Bolt 1/4" - 20 x 1 - 1/2 Grade 5
18	207J	Foot Pedal	83	1605H	*Locknut 1/4" - 20 UNC
19	236P	Soc. Hd. Cap Screw 5/16 - 18 x 3/4	84	3003P	*Hex Bolt 1/4" - 20 x 3/4
20	8058R	Grill Cable	85	3010P	*Hex Bolt 5/16 - 18 x 3/4
21	873J	Grill Brace	86	1003P	*Lockwasher 5/16"
22	18.905603	Engine, Orion 20 H.P.	87	5554P	Phillips Pan Hd. Thd. Self Tap 10 - 18 Hi-Lo Thd. x 1/2 Blunt Point
23	939E	So. Key 1/4 x 2	88	245J	Decal - Room
24	8245R	Belt Retainer/Finger	89	1537P	*Washer 11/32 x 11/16 x 18 Ga.
25	634A925	Engine Pulley (Inc. Key No. 84)	90	3011P	*Hex Bolt 5/16 - 18 x 1
26	634A927	Belt Guide Weldment	91	504P	Hex Forged Socket Headless Set Screw CF 5/16 - 18 x 1/2 - Nyloc
27	8704H1	Retainer Spring	92	3003P	*Hex Bolt 3/8" - 16 x 1
28	4539M	Retainer Spring	93	5004P	*Lockwasher 3/8"
29	9011H	Belt Guard Weldment	94	501P	*Hex Nut 3/8" - 16 UNC
30	634A959	Belt Guard Weldment	95	1537P	*Washer 13/32 x 27/16 x 11 Ga.
31	8245R	Carriage Bolt 3/8" - 16 x 2 - 1/4	96	3154P	Self. Fil. Hd. Machine Screw 1/4" - 20 x 2 - 1/4
32	50P	Carriage Bolt 3/8" - 16 x 2 - 1/4	97	347H	Hexlock Nut 1/4" - 20 UNC
33	1845R	*Cotter Pin 1/8 x 1"	98	67P	*Carriage Bolt 5/16 - 18 x 3/4
34	634A800	Hood Latch	99	8857P	*Hex Washer Hd. Thd. Cutting Screw 1/4" - 20 x 1/2 x 1-1/4
35	8457R	Support Bumper	100	3035P	*Hex Bolt 7/16 - 14 x 1 - 1/4
36	634A903	Battery Support Bracket (Inc. Key 30)	101	1001P	*Lockwasher 7/16"
37	7766R	Cap	102	1008P	*Lockwasher 7/16"
38	8008R	Cap	103	3021P	*Locknut 3/8" - 16 UNC
39	7798R	Cover - R.H.	104	8857P	*Hex Washer Hd. Thd. Cutting Screw 1/4" - 20 x 1/2 x 1-1/4
40	1420J	Decal - 20	105	3035P	*Hex Bolt 7/16 - 14 x 1 - 1/4
41	634A922	Link Weldment	106	1001P	*Lockwasher 7/16"
42	634A785	Hanger Weldment R.H. - Front	107	1008P	*Lockwasher 7/16"
43	7944R	Belt Tightener Arm	108	3021P	*Locknut 3/8" - 16 UNC
44	7946R	Support Bumper	109	8857P	*Hex Washer Hd. Thd. Cutting Screw 1/4" - 20 x 1/2 x 1-1/4
45	7810H	Locknut 3/8" - 24 UNF	110	6065P	Hex Sil. Hd. Machine Screw w/SemS Int. Tooth Lockwasher 10 - 32 x 1/4
46	634A814	Hanger Weldment - Rear	111	53P	So. Neck Carriage Bolt 10 - 24 x 1/2
47	634A787	Drawer and Weldnuts	112	1535P	*Washer 7/32 x 7/16 x 18 Ga.
48	634A855	Hanger Weldment - L.H. - Front	113	1006P	*Lockwasher No. 10
49	7931R	Choke Control	114	505P	*Hex Nut 1/2" - 24 UNC
50	1510J	Throttle Control (Inc. Key 61, 62 & 63)	115	3114P	*Hex Bolt 1/4" - 20 x 1/2
51	97J	Aldador Bar	117	515P	*Hex Nut 3/8" - 24 UNF
52	1566J	Decal (Shift Pattern)	120	3137P	*Hex Bolt 3/8" - 16 x 1 - 1/4 Gr. 5
53	634A888	Decal Assy. (Inc. Key 57 & 58)	121	1420P	Ext. Tooth Lockwasher - 3/8"
54	8468R	Bearing	122	9022	Rubber Erging
55	4166H	Engine Mount Assy.	123	6768H	Mounting Clip
56	634A908	Engine Mount Assy.	124	2751R	Mounting Clip
57	96J	Roller	*STANDARD HARDWARE PURCHASE LOCALLY		
58	9603R	Throttle Wire & Casing			
59	8254R	Throttle Control Link			
60	1550J	Throttle Control Lever			
61	634A903	*Standard (Inc. Key No's. 66 and 67)			
62	106J	Battery Support			

REPAIR PARTS

20T GARDEN TRACTOR-MODEL NUMBER T9328BR

STEERING AND FINAL DRIVE



REPAIR PARTS

20T GARDEN TRACTOR-MODEL NUMBER T9328BR

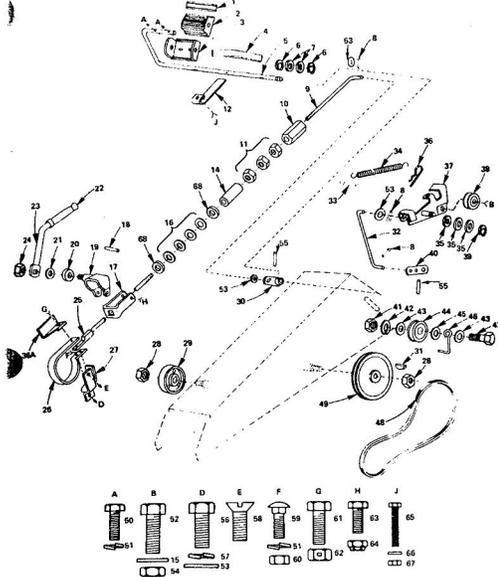
STEERING AND FINAL DRIVE

KEY NO.	PART NO.	DESCRIPTION	KEY NO.	PART NO.	DESCRIPTION
1	9719R	Steering Wheel Insert	46	61P	Sh. Nk. Shk. Car. Bolt 3/8 - 16 x 1 Gr. 5
2	3022P	*Hex Bolt 3/8" - 16 x 1	47	1513P	*Washer 13/32 x 13/16 x 18 Ga.
3	1004E	*Lockwasher 3/8"	48	1518P	*Washer 15/32 x 1 x 12 Ga.
4	1655P	*Washer 7/16 x 1 x 10 Ga.	49	5794H	Locknut 3/8 UNC
5	3644R	E-Ring	50	3025P	*Hex Bolt 3/8" - 16 x 1 - 1/4
6	5003P	E-Ring	51	1553P	*Washer 13/32 x 13/16 x 11 Ga.
7	9021H	Cap	53	501P	*Hex Nut 3/8" - 16 UNC
8	5949H	Rubber Bushing	54	2027P	*Hex Nut 3/8" - 16 x 1/2
9	7532R	Foot Rest - L.H.	55	2022P	*Hex Nut 3/8" - 16 x 7/8
10	8000R	Decal (Attech. Clutch)	56	3010P	*Hex Bolt 5/16 - 18 x 3/4
11	7904R	Foot Rest - R.H.	57	1003P	*Lockwasher 5/16"
12	1655P	*Washer 7/16 x 1 - 1/4 x 16 Ga.	58	18P	*So. Neck Carriage Bolt 3/8" - 16 x 1/4
13	8038M1	Woodruff Key 3/16 x 5/8	59	1304H	Hub Bolt
14	634A926	Steering Shaft and Flange	60	3034P	*Hex Nut 7/16 - 14 x 1
15	6344H	Control Knob	61	1001P	*Lockwasher 7/16"
16	6344H	Shift Rod Brackets	62	500P	*Hex Nut 7/16 - 14 UNC
17	2511P	Cotter Pin 3/16 x 1"	63	3003P	*Hex Bolt 1/4" - 20 x 3/4
18	634A924	Bolt Guide	64	1006P	*Washer 9/32 x 5/8 x 16 Ga.
19	6471H	Range Shift Rod	65	1002P	*Lockwasher 1/4"
20	9689R	Transmission Bracket	66	503P	*Hex Nut 1/4" - 20 UNC
21	8974R	Seat Stop	67	18P	*Short Shoulder So. Neck Carriage Bolt 5/16 - 18 x 3/4
22	7566R	Rear Tire 23 x 10.50 - 12 Chevron	68	1885H	*Lock Nut 5/16 - 18 UNC
23	789R	Tire Valve	69	3013P	*Hex Bolt 3/8" - 16 x 3/4
24	3635R	Rear Wheel	70	52P	*Carriage Bolt 1/2" - 13 x 1 - 1/4 Gr. 5
25	9658R	Fender - R.H.	71	1507P	*Washer 3/4 x 1.78 x 11 Ga.
26	634A932	Wheel Hub - Rear	72	1666P	*Washer 11/32 x 1/2 x 11 Ga.
27	7565R	Axle Throat Washer	73	1000P	*Lockwasher 1/2"
28	5845R	Retaining Ring	74	3155P	*Hex Nut 1/2" - 12 UNC
29	9637R	Fender - L.H.	75	507R	Rubber Grommet
30	2655R	Bracket - Tail Light	76	1566P	*Washer 11/32 x 1/2 x 11 Ga.
31	126J	Seat Stop Bracket	77	1000P	*Lockwasher 1/2"
32	126J	Seat Spring Reinforcement	78	3155P	*Hex Nut 1/2" - 12 UNC
33	8141H	Seat Spring Reinforcement	79	3155P	*Hex Nut 1/2" - 12 UNC
34	7885R	Seat Spring	80	6347R	Rubber Grommet
35	634A716	Seat Plate Weldments	81	2751R	Mounting Clip
36	634A532	Seat Bracket Weldment	82	124J	Rubber Bumper
37	7837R	Bracket, Seat Pivot	83	245J	Decal - Roper
38	9744R	Seat	84	245J	Decal - Roper
39	2329J	Fuel Gauge	85	210J	Warranty Label
40	7855R	Fuel Tank	86	210J	Owner's Manual
41	6999R	Fuel Line Clamp	*STANDARD HARDWARE PURCHASE LOCALLY		
42	2751R	Clip - Fuel Line			
43	897J	Fuel Line			
44	7741R	In-Line Filter			
45	903J	Fuel Line Elbow			
46	929/R	Clip - Fuel Line			

REPAIR PARTS

20T GARDEN TRACTOR-MODEL NUMBER T9329BR

BRAKE AND CLUTCH



REPAIR PARTS

20T GARDEN TRACTOR-MODEL NUMBER T9329BR

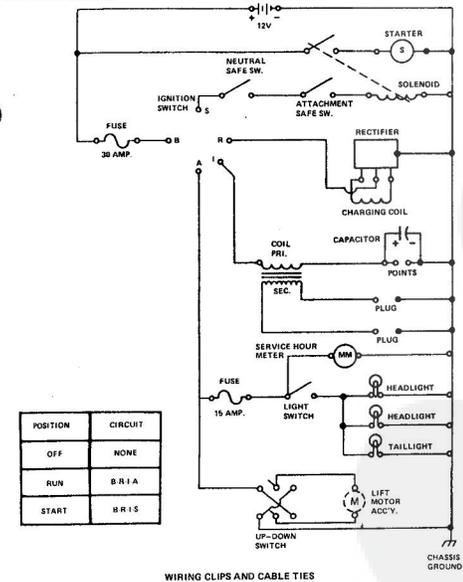
BRAKE AND CLUTCH

KEY NO.	PART NO.	DESCRIPTION	KEY NO.	PART NO.	DESCRIPTION
1	889R	Insert Clutch Brake	37	634A/754	Lock Washer 7/16
2	880R	Front Pedal	38	665H	Idler
3	876H	Front Pinion Bracket	39	5007P	E Ring
4	900B1	Spring	40	634A/88H	Shim
5	1114	Front Pinion Shaft	41	600P	Hex Nut 7/16 1/4 UNC
6	5003P	E Ring	42	1001P	Lockwasher 7/16
7	1001P	Washer 21/32 x 7/8 x 1/16 Ga.	43	1548P	Full Idler
8	2005P	Clutch Pin 1/8 x 3/4	44	665H	Full Idler
9	2005H	Clutch Rod - Front	45	1548P	Washer 15/32 x 1/8 1/8 x 11 Ga.
10	6117H	Turboclock	46	647B1H	Ball Finger
11	501P	Hex Nut 3/8 1/8 UNC	47	3202P	Hex Bolt 7/16 1/4 x 2 1/2
12	7803R	Safety Start Actuator	48	2602R	V Bolt
14	2001H	Washer	49	64612P	Pinion, Transmission
15	1521P	Washer 13/32 x 13/16 x 11 Ga.	50	3003P	Hex Bolt 1/4 20 x 3/4
16	2001H	Spring Washer	51	1002P	Lockwasher 1/4
17	9886R	Parking Brake Yoke	52	3341P	Pin, Hex Bolt 3/8 24 x 1
18	1701H	Roll Pin	53	1513P	Washer 13/32 x 13/16 x 1/8 Ga.
19	624A/887	Lock Bracket Assembly	54	544P	Hex Jam Nut 3/8 24 UNF
20	2001H	Parking Brake Spacer	55	8142H	Roll Pin
21	5006H	Spring Washer	56	3022P	Hex Bolt 3/8 16 x 7/8
22	4379H	Handle Grip	57	1004P	Lockwasher 3/8
23	624A/341	Parking Lock Handle Assembly	58	2164P	Flat Hd. Machine Screw Undercut 3/8 16 x 3/4
24	7819H	Grass Control Lock Nut 3/8 24 UNF	59	11P	5/16 Neck Grass Blade 1/4 20 x 5/8
25	624A/305	Brake Rod Assembly	60	600P	Hex Nut 1/4 20 UNC
26	673A/211	Brake Band Assembly	61	3158P	Locknut 5/16 18 UNC
27	624A/305	Brake Rod Assembly	62	1685H	Hex Bolt 1/4 28 x 5/8 G. 5
28	5024H	Lock Nut 1/2 20 UNF	64	8071H	Hex Bolt 1/4 28 x 5/8 G. 5
29	624A/859	Brake Arm Assembly	65	3326P	Hex Hd. Mach. Screw 5/32 x 1
30	9886M1	Brake Drum	66	1562P	Washer 5/32 x 3/8 20 GA.
31	9886M1	Woodruff Key	67	862P	Conerlock Nut 6 22 UNC
32	9886R	Clutch Foot	68	1662P	Washer 13/32 x 5/8 x 11 Ga.
33	2514P	Cotter Pin 1/4 x 1			
34	6885H	Spring			
35	1587P	Washer 1/2 x 1 - 1/16 x 21 Ga.			
36	6029M	Retainer Spring			
36A	5444	Moose Shield			

REPAIR PARTS

20T GARDEN TRACTOR-MODEL NUMBER T9329BR

SCHEMATIC DIAGRAM

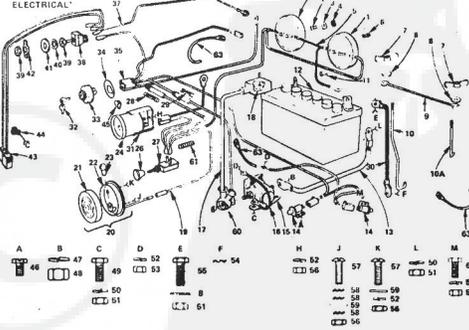


WIRING CLIPS AND CABLE TIES
If Clips or Ties were removed for servicing of unit, they should be replaced to properly secure your wiring.

REPAIR PARTS

20T GARDEN TRACTOR-MODEL NUMBER T9329BR

ELECTRICAL



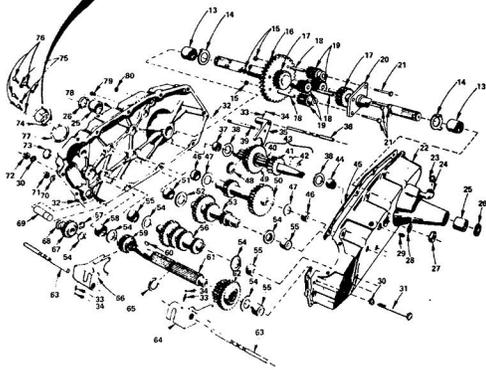
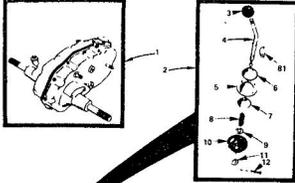
KEY NO.	PART NO.	DESCRIPTION	KEY NO.	PART NO.	DESCRIPTION
1	6452R	Headlight	33	2683R	Ignition Switch
2	5554P	Phillips Pan Hd. Thd. Cutting Screw No. 10 1/2 x 1/2	34	8658R	Terminal Identifier
3	8768H	Mounting Clip	37	9608R	Wire, Ground Lift Switch
4	8768H1	Rubber Spacer	38	8984R	Switch, Elec. Lift
5	8031R	Headlight Ground Wire	39	560P	Hex Nut, Steel 7/16 32 NS 2A
6	9197H	Insulator	40	7131R	Lockwasher, Internal Tooth
7	3748M	Wing Nut 1/4 20 UNC	41	1518P	Washer 15/32 x 13/16 1/8 Ga.
8	1506P	Washer 9/32 x 5/8 x 1/8 Ga.	42	9348R	Switch Plate
9	7954R	Battery Clamp	43	8984R	Lift Motor Harness
10	2685R1	Battery Bolt	44	5320R	Clip, Wire
10A	887	Insulator Cap	45	8915H	Clip
11	4171R	Battery	46	9534P	Slothead Hex Internal Hd. Self Tapping Screw No. 10 24 x 3/8 Type 1
12	226L	Battery	47	1003P	Lockwasher 5/16
13	2235R	Coil - Solenoid to Start	48	638P	Hex Jam Nut 5/16 24 UNF
14	7755R	Safety Switch	49	3116P	Hex Bolt 1/4 20 x 5/8
15	7754R	Solenoid	50	1002P	Lockwasher 1/4
16	8027R	Wire - Ground to Solenoid	51	600P	Hex Nut 1/4 20 UNC
17	1161	Battery Cable	52	1001P	Lockwasher No. 10
18	225L	Terminal Cover	53	554P	Hex Nut No. 10 32 UNF
19	8030R	Light Harness	54	1402P	Hex Bolt 1/4 20 x 3/8
20	8098H	Tailight (Inc. Key No's. 21, 22, & 23)	55	2603P	Hex Nut No. 10 24 UNC
21	8227H	Light	56	500P	Hex Bolt 1/4 20 x 3/8
22	8259H	Housing - Tailight	57	500P	Hex Bolt No. 10 24 UNC
23	8259H	Housing - Tailight	58	2603P	Self Locking Hd. Mach. Screw 10 24 x 3/4
24	7132R	Maintenance Meter	58	1404P	Ext. Tooth Lockwasher No. 10
25	7181R	Light Switch Knob	59	1604P	Hex Hd. Mach. Screw 7/32 x 2 1/8 Ga.
26	2793R	Light Switch	60	814	Solenoid Terminal Cover
27	7131R	Light Switch	61	1604P	Wire Guard
28	7131R	Light Switch	62	3218P	Hex Hd. Mach. Screw No. 10 24 x 1/2
29	7131R	Light Switch	63	1320R	Cotter Pin
30	2737R	Battery Cable, Ground			
31	9608R	Maintenance Meter Key Set			
32	7552H	Key Set			

*STANDARD HARDWARE PURCHASE LOCALLY

REPAIR PARTS

20T GARDEN TRACTOR-MODEL NUMBER T9329BR

TRANSAXLE



REPAIR PARTS

20T GARDEN TRACTOR-MODEL NUMBER T9329BR

TRANSAXLE

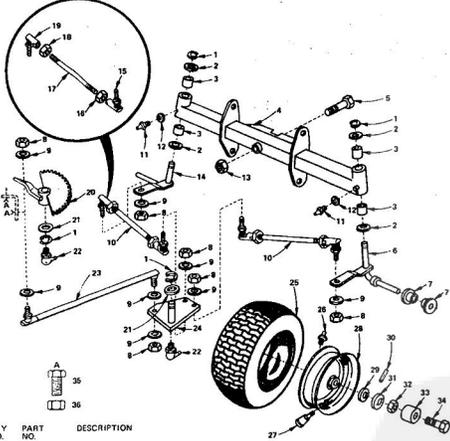
KEY NO.	PART NO.	DESCRIPTION	KEY NO.	PART NO.	DESCRIPTION
1	633A92	Transaxle Assembly Left Brake Drum & Shift Lever (Inc. Key No's 13 thru 80)	44	8119M	Needle Bearing
2	633A87	Gear Shift Lever Assembly (Inc. Key No's 1 thru 12 and 81)	45	5975H	Clutch Gearcase
3	6384H	Control Knob	46	8117M	Needle Bearing
4	8635R	Gear Shift Lever	47	7395H	Thrust Bearing Race
5	633A85	Gear Shift Ball Cover and Pin	48	6270H	Snap Ring - Crescent Type
6	8013R	Gear Shift Cap	49	633A14	High - Low Range Gears and Hub
7	8159H1	Shift Lever Guide Bolt	50	633A33	4th Reduction Shaft and Gears
8	4924H	Spring	51	7398H	Needle Bearing
9	1525P	Washer 15/32 x 59/64 x 18 Ga.	52	7395H	Thrust Bearing Race
10	8165R	Shift Mechanism Seal	53	633A31	3rd Reduction Shaft and Gears
11	1525P	Washer 9/16 x 15/16 x 11 Ga.	54	1370H	Thrust Bearing Race
12	2052P	Cotter Pin 3/4	55	4859H	Sleeve Change Gears and Shaft
13	2039R1	Needle Bearing	56	633A30	Needle Bearing
14	6256H	Axle Thrust Washer	57	5001P	E Ring
15	7810H	Castorlock Graco Nut 3/8 - 24 UNF	58	4584H	Needle Bearing
16	8622H	Final Drive Gear	59	6231H	Low Speed Pinion
17	633A73	Axle Shaft and Gear	60	9659H1	Woodruff Key
18	6252H1	Ball Bearing - Differential Pinion	61	6218H	Input Shaft
19	8957H	Differential Pinion	62	633A11	Intermediate and High Speed Pinions
20	6262H1	Differential Case	63	6216H	Shift Fork - R.H.
21	3056P	Hex Bolt 3/8 - 24 x 3 - 1/4 1" Thread Length	64	4218R	Shift Fork - L.H.
22	633A89	Gear Case and Bearings - L.H.	65	4920H	Snap Ring - Crescent Type
23	4002P	Pipe Plug 1/2 - 14 N.P.T.	66	6292H	Shift Fork - R.H.
24	4603P	90 Street Elbow 1/2 - 14 N.P.T.	67	1153R	Reverse Idler Gear
25	892R1	Sintered Iron Bearing	68	7394H	Reverse Idler Thrust Washer
26	7393R	Oil Seal	69	7384H	Reverse Idler Shaft
27	8204H	Lock Nut	70	1167R	Sealing Washer
28	8271H	Oil Seal	71	541P	Hex Jam Nut 7/16 - 20 UNF
29	8004H	Pipe Plug 1/4 - 18 N.P.T.	72	804P	Hex Nut 5/16 - 18 UNC
30	1007P	Lockwasher 5/16 Extra Heavy	73	6270H	Oil Seal
31	3087P	Hex Bolt 5/16 - 18 x 1 - 1/2 Gr. 5	74	751	Gear Shift Gate
32	8277H	Down Pin	75	1003P	Lockwasher 5/16
33	6272H	Spring - Shift Fork Detent	76	2158P	Reverse Idler Thrust Washer
34	7393M	Steel Washer	77	8274H	Gasket - Shift Ball Cover
35	5202H	Shift Fork High - Low Range	78	633000	Gear Case, Reverse Idler Shaft and Bearings R.H.
36	8217H	High - Low Range Shift Fork Shaft	79	5855H	Pressure Relief Valve
37	8118M	Needle Bearing	80	6269H	Oil Seal
38	6266H	Needle Bearing	81	7835M	Woodruff Key
39	6215H	High - Low Range Shift Shaft			
40	6221H	3rd Reduction Gear Shaft			
41	8692H	4th Reduction Pinion			
42	2239M	Woodruff Key			
43	633A32	3rd Reduction Shaft and Gear (Inc. Key No's 40, 41 & 42)			

*STANDARD HARDWARE - PURCHASE LOCALLY

REPAIR PARTS

20T GARDEN TRACTOR-MODEL NUMBER T9329BR

FRONT AXLE



KEY NO.	PART NO.	DESCRIPTION	KEY NO.	PART NO.	DESCRIPTION
1	5000P	E-Ring	22	6842M	Grease Fitting
2	1528P	Washer 13/16 x 1 - 1/4 x 14 Ga.	23	7837H	Die Link and Spring
3	1329H1	Bearing	24	634A98	Evening Self-Center Adjustment
4	634A521	Front Axle w/Bearing (Inc. Key No. 3)	25	3536P	Roller 1 1/2 x 1 1/2 x 1 1/2
5	3294P	Hex Bolt 5/8 - 11 x 6 Grade 5	26	3636R	Roller 1 1/2 x 1 1/2 x 1 1/2
6	634A277	Sprocket Complete - R.H.	27	796R	Roller 1 1/2 x 1 1/2 x 1 1/2
7	8040H	Furrow Bearing	28	3636R	Roller When in Bearings
8	78124	Graco Lock Nut 3/8 - 24 UNF	29	1525P	Washer 20/32 x 1 - 1/2 x 18 Ga.
9	20124	Graco Washer 3/8 - 24 UNF	30	8778H	Wheel Washer
10	7838R	Graco Lock Nut 1/2 - 20 U.L.H. Thread	31	8783H	Wheel Washer
11	6855M	Graco Fitting	32	4831H	Elastic Nut 3/4 - 16 UNF
12	1525P	Washer 9/32 x 1 1/2 x 14 Ga.	33	8783H	Drive Coupler
13	4794H	Huglock Nut 5/8 - 11 UNC	34	3008P	Hex Bolt 5/16 - 18 x 1/2
14	634A278	Sprocket Complete - L.H.	35	3241P	Hex Bolt 3/8 - 24 x 1
15	8515R	Tie Rod Joint (R.H. Thread)	36	546P	Hex Jam Nut 3/8 - 24 UNF
16	558P	Hex Jam Nut 1/2 - 20 (L.H. Thread)			
17	634A810	Tie Rod and Nut (Inc. Key No's 18 & 19)			
18	558P	Hex Jam Nut 1/2 - 20 (L.H. Thread)			
19	8514R	Tie Rod Joint (L.H. Thread)			
20	634A813	Steering Gear Sector and Arm			
21	1525P	Washer 49/64 x 1 - 1/4 x 16 Ga.			

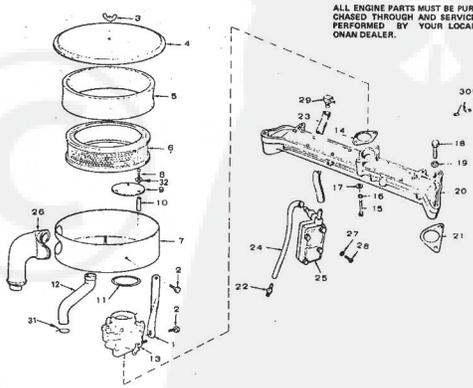
*STANDARD HARDWARE - PURCHASE LOCALLY

REPAIR PARTS

20T GARDEN TRACTOR-MODEL NUMBER T9329BR

ONAN ENGINE-MODEL NO. N52M-GA019.9/3580B

FUEL SYSTEM GROUP



ALL ENGINE PARTS MUST BE PURCHASED THROUGH AND SERVICE PERFORMED BY YOUR LOCAL ONAN DEALER.

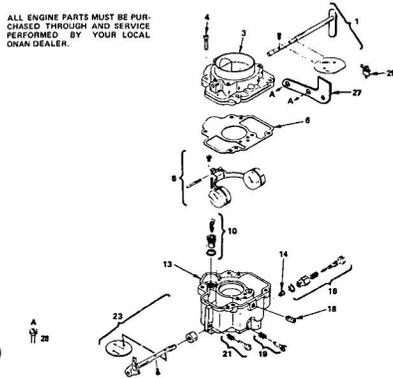
KEY NO.	PART NO.	DESCRIPTION	KEY NO.	PART NO.	DESCRIPTION
1	140-1459	Air Cleaner Support	17	5260115	Flux Washer (1 1/2" O.D. x 1 1/2" Thick)
2	821-0009	Cap Screw, Hex Head Locking (1 1/4 - 20 x 3/8")	18	800-0050	Cap Screw, Hex Head (3/8 x 1 1/2 x 3")
3	885-0020	Wing Nut (1/4 - 20)	19	850-0050	Lockwasher, Spring (3/8")
4	140-1484	Air Cleaner Cover	20	154-2029	High-Material Gasket
5	140-1496	Washer	21	154-1931	Gasket
6	140-1225	E-clip	22	542-1295	Gasket
7	4-62-1498	Air Filter Element	23	542-1295	Gasket
8	8-5-2471	Hex Head Nut, 1/2 - 20 x 1 1/2	24	542-1295	Gasket
9	140-1530	Diaphragm Plate	25	542-1295	Gasket
10	140-1501	Spacer	26	142-4296	Adjuster
11	509-0145	Seal, "O" Ring	27	850-0025	Roller Mount Machine Spring (Hex B 32 x 1 1/4")
12	121-1054	Bushings	28	812-0075	Ellows
13	148-0271	Collector Assembly (See Separate Draw for Components)	29	502-6133	Lifting Bracket
14	154-0733	Gasket	30	403-1490	Hex Clamp
15	800-0035	Cap Screw, Hex Head (5/8 - 16 x 2 - 1/2)	32	850-0020	Lockwasher (Hex 10)
16	850-0045	Lockwasher, Spring (5/16")	33	149-1522	Fuel Pump Return Act.

REPAIR PARTS

20T GARDEN TRACTOR—MODEL NUMBER T93298R
ONAN ENGINE—MODEL NO. N52M-GA019.9/3580B

CARBURETOR PARTS GROUP

ALL ENGINE PARTS MUST BE PURCHASED THROUGH AND SERVICE PERFORMED BY YOUR LOCAL ONAN DEALER.



KEY NO.	PART NO.	DESCRIPTION	KEY NO.	PART NO.	DESCRIPTION	
1	146-0271	Carburetor Assembly, Complete	18	146-0211	Set Screw	
2	146-0290	Choke Shaft Package	19	146-0209	Needle Package	
3	146-0224	Air Intake (Not Sold Separately)	21	146-0251	Screw Package	
4	146-0293	Gasket	22	146-0270	Throttle Shaft Package	
5	146-0292	Float Assembly Package	27	153-0515	Bracket, Choke Cable	
6	146-0272	Valve and Seat Package	28	821-0002	Mounting Screw	
7	146-0238	Power Jet	29	153-0514	Cable Cup	
8	146-0214	*Power Needle Package	---	146-0270	*Gasket Kit	
				---	146-0228	Repair Kit (Includes Parts Marked *)

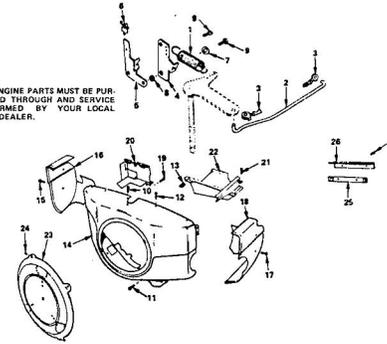
*PARTS CONTAINED IN 146-0228 REPAIR KIT.

REPAIR PARTS

20T GARDEN TRACTOR—MODEL NUMBER T93298R
ONAN ENGINE—MODEL NO. N52M-GA019.9/3580B

GOVERNOR AND AIR HOUSING GROUP

ALL ENGINE PARTS MUST BE PURCHASED THROUGH AND SERVICE PERFORMED BY YOUR LOCAL ONAN DEALER.



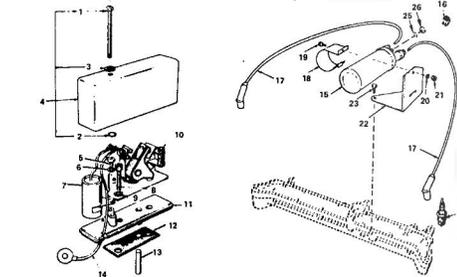
KEY NO.	PART NO.	DESCRIPTION	KEY NO.	PART NO.	DESCRIPTION
1	150-1214	Governor Spring	15	815-0261	Cap Screw, Hex Head Locking (1/4" x 20 x 7/16")
2	150-1813	Throttle Link	16	134-3448	Air Housing, Left Side
3	518-0204	Clip	17	815-0261	Cap Screw, Hex Head Locking (1/4" x 20 x 7/16")
4	150-1576	Governor Control Arm	18	134-3448	Air Housing, Right Side
5	150-1725	Governor Control Mounting Bracket	19	815-0261	Cap Screw, Hex Head Locking (1/4" x 20 x 7/16")
6	153-0514	Cable Clip	20	134-2648	Housing Support, Left Side
7	525-0214	Fuel Waker (1/2" O.D. x 1/2" I.D. x 1/16" Thick)	21	821-0018	Cap Screw, Hex Head Locking (1/4" x 20 x 5/8")
8	150-1269	Bushing	22	134-3591	Housing Support, Right Side
9	821-0010	Hex Head Cap Screw, Locking (1/4" x 20 x 1/2")	23	134-3589	Housing, Screen
10	815-0261	Cap Screw, Hex Head Locking (1/4" x 20 x 7/16")	24	815-0278	Cap Screw, Hex Head w/ET (No. 14 x 1/2")
11	821-0010	Cap Screw, Hex Head Locking (1/4" x 20 x 1/2")	25	134-3510	Support Mounting Bracket
12	815-0474	Cap Screw, Tapping Hex Head (1/4" x 1/2")	26	134-3511	Housing Support, Lower
13	870-0107	Nut, Lock (No. 14)	27	821-0009	Cap Screw, Hex Head Locking (1/4" x 20 x 3/8")
14	134-3747	Air Housing			

REPAIR PARTS

20T GARDEN TRACTOR—MODEL NUMBER T93298R
ONAN ENGINE—MODEL NO. N52M-GA019.9/3580B

IGNITION AND BREAKER BOX GROUP

ALL ENGINE PARTS MUST BE PURCHASED THROUGH AND SERVICE PERFORMED BY YOUR LOCAL ONAN DEALER.



KEY NO.	PART NO.	DESCRIPTION	KEY NO.	PART NO.	DESCRIPTION
1	160-1210	Breaker Box (See Part Marked *)	15	160-0535	Coil
2	812-0100	*Round Head Machine Screw (No. 10 - 24 x 1 - 1/2")	16	160-0604	Cap (Part of Ignition Coil)
3	500-0065	Bracket	17	SPARK PLUG CABLE	
4	526-0008	*Flat Washer (1/3 64" I.D. x 7/16" O.D. x 1/32" Thick)	18	157-1596	16"
5	160-1232	*Cover	19	821-0010	Cap Screw, Hex Head Locking (1/4" x 20 x 1/2")
6	850-0058	*Cap Screw, Standard (No. 8 - 32 x 5/16")	20	850-0040	Lockwasher, Spring (1/4")
7	850-0025	*Lockwasher - Spring (No. 8)	21	862-0001	Hex Nut (1/4" - 20)
8	802-0034	*Cap Screw, Socket Head (1/4" - 20 x 3/4")	22	166-0900	Bracket
9	850-0036	*Lockwasher, Spring (1/4")	23	815-0261	Cap Screw (1/4" - 20 x 9/16)
10	160-1183	*Power Sw	24	167-0251	Spark Plug
11	160-1219	*Blow	25	850-2005	Washer
12	160-1150	*Gasket	26	166-0564	Ignition Coil Nut
13	150-1151	*Nut			
14	336-2378	Load (Breaker Box to Coil)			
	150-1213	Tow-up Kit (See Points and Condenser)			

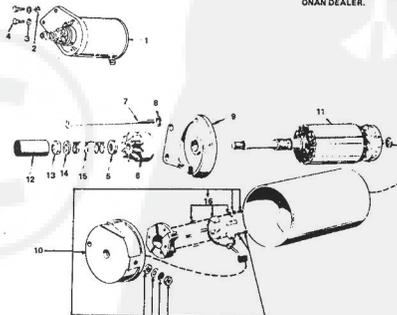
*PARTS INCLUDED IN 160-1210 BREAKER BOX

REPAIR PARTS

20T GARDEN TRACTOR—MODEL NUMBER T93298R
ONAN ENGINE—MODEL NO. N52M-GA019.9/3580B

STARTER PARTS GROUP

ALL ENGINE PARTS MUST BE PURCHASED THROUGH AND SERVICE PERFORMED BY YOUR LOCAL ONAN DEALER.



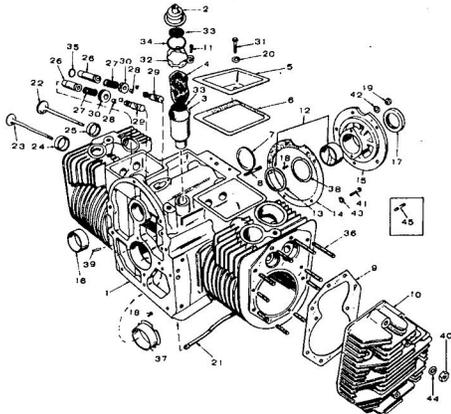
KEY NO.	PART NO.	DESCRIPTION
1	191-1205	Starter (Complete)
2	526-0112	Flat Washer (1/3 32" I.D. x 1" O.D. x 3/32" Thick)
3	850-0045	Lockwasher, Spring (5/16")
4	800-0028	Cap Screw, Hex Head
5	191-1047	Spacer
6	191-1156	Drive Assembly
7	191-1157	Cap Screw, Hex Head Lockwasher, Spring (1/4")
8	850-0040	Cap Assembly
9	191-1222	Armature
10	191-1156	Dust Cover
11	191-1154	Stop Nut
12	191-1034	Flat Washer
13	191-1045	Spring
14	191-1046	Brush, Spring and Start Kit
15	191-1035	
16	191-1222	

REPAIR PARTS

20T GARDEN TRACTOR—MODEL NUMBER T93298R
ONAN ENGINE—MODEL NO. N52M-GA019.9/3580B

CYLINDER BLOCK GROUP

ALL ENGINE PARTS MUST BE PURCHASED THROUGH AND SERVICE PERFORMED BY YOUR LOCAL ONAN DEALER.



REPAIR PARTS

20T GARDEN TRACTOR—MODEL NUMBER T93298R
ONAN ENGINE—MODEL NO. N52M-GA019.9/3580B

CYLINDER BLOCK GROUP

KEY NO.	PART NO.	DESCRIPTION	KEY NO.	PART NO.	DESCRIPTION
1	110-2668	Cylinder Block Assembly (Inc. Parts Marked *)	29	VALVE TAPPET	115-0006 Standard
2	123-0954	Breather Cap and Valve	30	115-0006-005	Overseas
3	123-0952	Breather Tube	31	110-0004	Valve Rotator
4	123-0889	Valve Compartment Cover	31	800-0011	Hex Head Cap Screw (1/4" Dia. x 1")
5	110-1220	Valve Cover Gasket	32	123-0951	Breather Cap Clamp
6	517-0048	Expansion Plug	33	123-0958	Breather Screws
7	520-0736	Stud	34	509-0017	Breather Tube Seal
8	110-1731	Head Gasket	35	115-0068	Intake Valve Guide Gasket
9	119-2575	Cylinder Head	36	CYLINDER HEAD STUD	520-0717 "3/8 x 1 1/8"
10	809-0035	Round Head Self Tapping Screw (No. 8 x 3/4")	37	520-0773	"3/8 x 2 5/16"
11	809-0035	Round Head Self Tapping Screw (No. 8 x 3/4")	37	101-0432	CRANKSHAFT BEARING, FRONT
12	CRANKSHAFT BEARING, REAR	Standard	37	101-0432	CRANKSHAFT BEARING, FRONT
13	101-0450	"Standard"	38	104-0776	"Crankshaft Shim
14	101-0450-02	0.02" Undersize	38	518-0141	Alignment Pin
15	101-0450-10	0.10" Undersize	40	106-0051	Hex Nut (5/8" Dia.)
16	101-0450-20	0.20" Undersize	41	800-0046	Hex Head Cap Screw (3/8" Hex 1 1/2")
17	101-0450-30	0.30" Undersize	42	526-0251	"Flat Washer, 1/16" I.D. x 688" O.D. x .045 Thick"
18	104-0975	Thrust Washer	43	526-0068	"Flat Washer, Copper (25.64" I.D. x 9.16" O.D. x 1.16" Thick)
19	101-0439	Bearing Plate, Rear	44	526-0750	"Flat Washer, Special (4.67" I.D. x 1.16" O.D. x 1/16" Thick)
20	509-0041	"Crankshaft Oil Seal"	45	520-0820	"Stud (Hex Head)
21	516-0072	"Bearing Stop Pin"			
22	104-0291	Hex Nut (3/8" Dia.)			
23	206-0063	Flat Washer, Copper (17/64" I.D. x 7/16" O.D. x 1.122" Thick)			
24	110-1718	VALVE SEAT INSERT, EXHAUST			
25	110-1718	Standard			
26	110-1718-02	0.02" Undersize			
27	110-1718-05	0.05" Undersize			
28	110-1718-10	0.10" Undersize			
29	110-1718-25	0.25" Undersize			
30	110-1718-25	0.25" Undersize			
31	110-1718-25	0.25" Undersize			
32	110-1718-25	0.25" Undersize			
33	110-1718-25	0.25" Undersize			
34	110-1718-25	0.25" Undersize			
35	110-1718-25	0.25" Undersize			
36	110-1718-25	0.25" Undersize			
37	110-1718-25	0.25" Undersize			
38	110-1718-25	0.25" Undersize			
39	110-1718-25	0.25" Undersize			
40	110-1718-25	0.25" Undersize			

*PARTS INCLUDED IN CYLINDER BLOCK ASSEMBLY.

SERVICE KITS AND MISCELLANEOUS

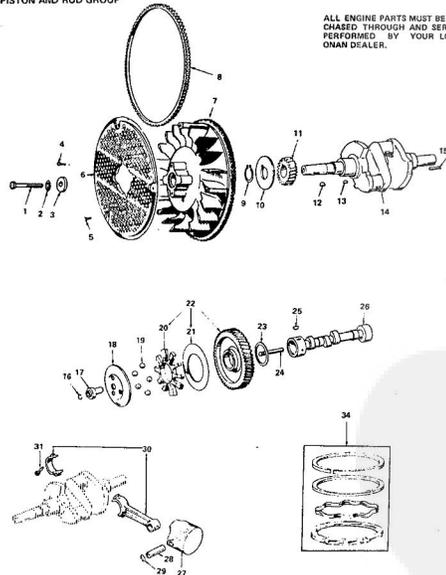
PART NO.	DESCRIPTION
88-3229	Deoil Kit
198-0142	Engne Gasket Kit
198-0121	Carburettor Removal Kit
180-1213	Ignition Tuneup Kit
522-0300	Engne Overhaul Kit

REPAIR PARTS

20T GARDEN TRACTOR—MODEL NUMBER T93298R
ONAN ENGINE—MODEL NO. N52M-GA019.9/3580B

CRANKSHAFT, FLYWHEEL, CAMSHAFT, PISTON AND ROD GROUP

ALL ENGINE PARTS MUST BE PURCHASED THROUGH AND SERVICE PERFORMED BY YOUR LOCAL ONAN DEALER.



REPAIR PARTS

20T GARDEN TRACTOR—MODEL NUMBER T93298R
ONAN ENGINE—MODEL NO. N52M-GA019.9/3580B

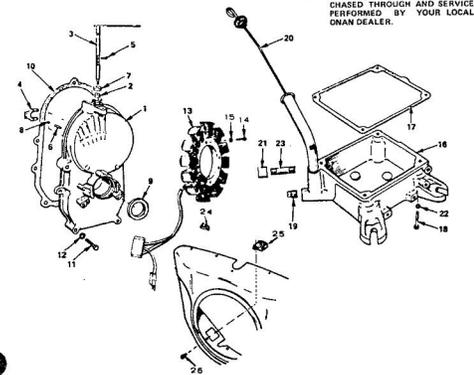
CRANKSHAFT, FLYWHEEL, CAMSHAFT, PISTON AND ROD GROUP

KEY NO.	PART NO.	DESCRIPTION
1	104-3110	Cap Screw (Special)
2	890-0055	Lockwasher, Spring (7/16")
3	526-0262	Flat Washer (15/16" I.D. x 1 1/2" O.D. x .311" Thick)
4	821-0014	Cap Screw, Hex Head Locking (5/16" Dia. x 1 1/2")
5	815-0400	Screw, Truss Hd. Mach. w/Ext. Lw. (1/4" Dia. x 1 1/2")
6	134-3212	Flywheel, Guard
7	134-2740	Flywheel (Inc. Ring Gear and Magnet)
8	104-0778	Retaining Ring
9	518-0014	Retaining Ring
10	104-0443	Retaining Washer
11	104-0032	Gear
12	515-0227	Flywheel Key
13	515-0001	Gear Key
14	194-1640	Crankshaft
15	515-0103	Key
16	190-0078	Retaining Ring
17	190-1019	Hub
18	190-1570	Cup
19	510-0115	Flyball
20	190-1257	Spacer
21	190-0077	Plate
22	106-0332	Gear Assembly (Inc. Plate and Spacer)
23	105-0044	Thrust Washer
24	190-0075	Center Pin
25	515-0001	Key
26	105-0282	Camshaft (Includes Center Pin)
27	112-0158	PISTON AND PIN (Includes Retaining Rings)
28	112-0158	Standard
29	112-0158-05	0.05" Undersize
30	112-0158-10	0.10" Undersize
31	112-0158-20	0.20" Undersize
32	112-0158-30	0.30" Undersize
33	112-0158-40	0.40" Undersize
34	112-0659	Piston Pin
35	518-0294	Retaining Ring
36	CONNECTING ROD	Standard
37	114-0295	Standard
38	114-0295-10	0.10" Undersize
39	114-0295-20	0.20" Undersize
40	144-0295-30	0.30" Undersize
41	890-0035	Root Cap Bolt
42	RING SET	Standard
43	113-0203	Standard
44	113-0203-05	0.05" Undersize
45	113-0203-10	0.10" Undersize
46	113-0203-20	0.20" Undersize
47	113-0203-30	0.30" Undersize
48	113-0203-40	0.40" Undersize

REPAIR PARTS

20T GARDEN TRACTOR-MODEL NUMBER T9329BR
ONAN ENGINE-MODEL NO. N52M-GA019/3580B

OIL BASE AND GEARCASE GROUP



ALL ENGINE PARTS MUST BE PURCHASED THROUGH AND SERVICE PERFORMED BY YOUR LOCAL ONAN DEALER.

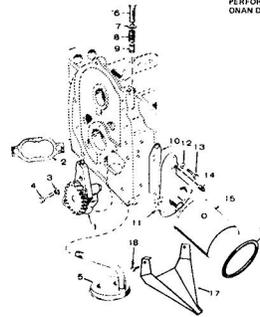
KEY NO.	PART NO.	DESCRIPTION	KEY NO.	PART NO.	DESCRIPTION
1	103-0498	Gearcase Assembly (Inc. Parts Marked *)	13	191-1216	Stator
2	510-0105	Bearing	14	813-0108	Round Head Machine Screw (No. 10 - 32 x 1-1/2")
3	150-1470	Shaft and Arm	15	850-0030	Lockwasher (No. 10)
4	150-1187	Yoke	16	102-0709	Oil Base
5	815-0046	*Nut Head Machine Screw (No. 8 - 32 x 3/8")	17	102-0693	Oil Base Gasket
6	516-0120	*Dowel Pin	18	800-0056	Hex Head Cap Screw (3/8" - 16 x 1-1/4")
7	505-0008	*Oil Seal	19	505-0058	Drain Plug
8	510-0014	*Bull	20	123-1292	Cap and Indicator
9	809-0040	*Oil Seal	21	505-0159	Oil Drain Cap Pipe (1-1/2")
10	103-0408	Gasket	22	850-0050	Lockwasher (3/8")
11	800-0032	5/16 18 x 1 3/4"	23	505-0176	Oil Drain Nipple Pipe (1/2 x 3 - 1/2")
	800-0034	5/16 18 x 2 1/4"	24	157-0218	Support Alternator Leads
	800-0065	9/16" O.D. x 1 1/8" Thick	25	191-1205	Regulator, Voltage (15 Amp)
			26	821-0010	Hex Head Cap Screw (1/4" - 20 x 1/2)

* Parts included in 103-0498 Gearcase Assembly.

REPAIR PARTS

20T GARDEN TRACTOR-MODEL NUMBER T9329BR
ONAN ENGINE-MODEL NO. N52M-GA019/3580B

OIL SYSTEM GROUP



ALL ENGINE PARTS MUST BE PURCHASED THROUGH AND SERVICE PERFORMED BY YOUR LOCAL ONAN DEALER.

KEY NO.	PART NO.	DESCRIPTION
1	120-0491	Oil Pump
2	120-0161	Pump Gasket Kit
3	850-0040	Lockwasher, Spring (1/4")
4	800-0007	Cap Screw, Hex Head (3/8" - 20 - 1")
5	520-0715	Oil Intake Cup
6	801-0050	Cap Screw, Hex Head (3/8" - 24 x 1")
7	526-0065	Flat Washer, Copper (15/64" I.D. x 9/16" O.D. x 1/16" Thick)
8	120-0140	Spring
9	120-0398	By-Pass Valve
10	122-0221	Gasket
11	122-0320	Oil Filter Adaptor
12	526-0065	Flat Washer, Copper (21/64" I.D. x 9/16" O.D. x 1/16" Thick)
13	800-0028	Cap Screw, Hex Head (5/16" - 18 x 1")
14	505-0057	Plug (1/8")
15	122-0499	Oil Filter
16	122-0341	Oil Filter Air Seal
17	122-0352	Oil Drain
18	815-0194	Cap Screw Hex Head W ET (No. 10 - 32 x 3/8")