

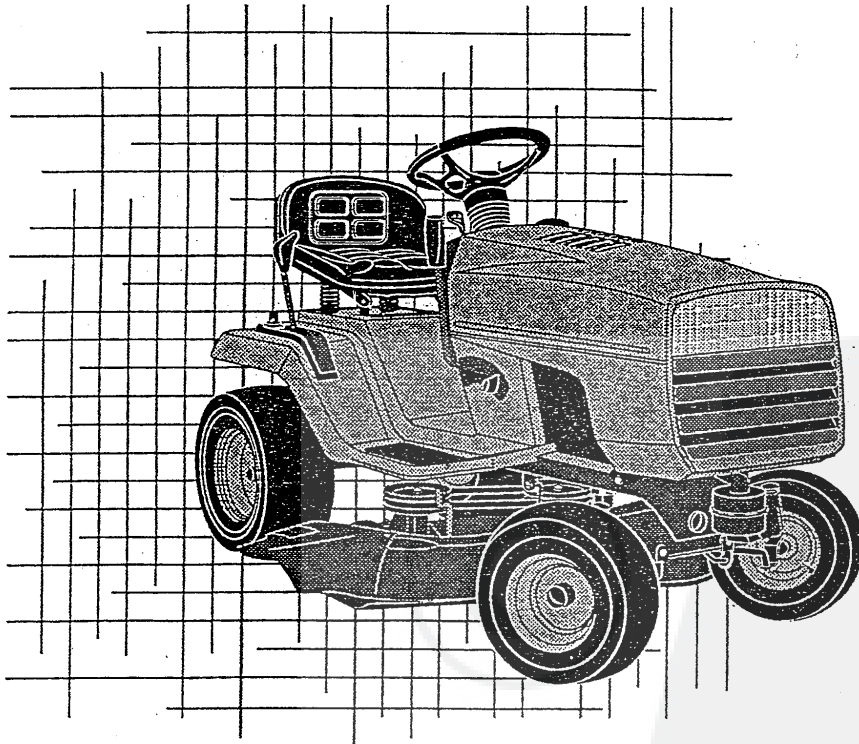
REFU

ILLUSTRATED PARTS MANUAL

IMPORTANT INFORMATION

DO NOT THROW AWAY

LAWN RIDER



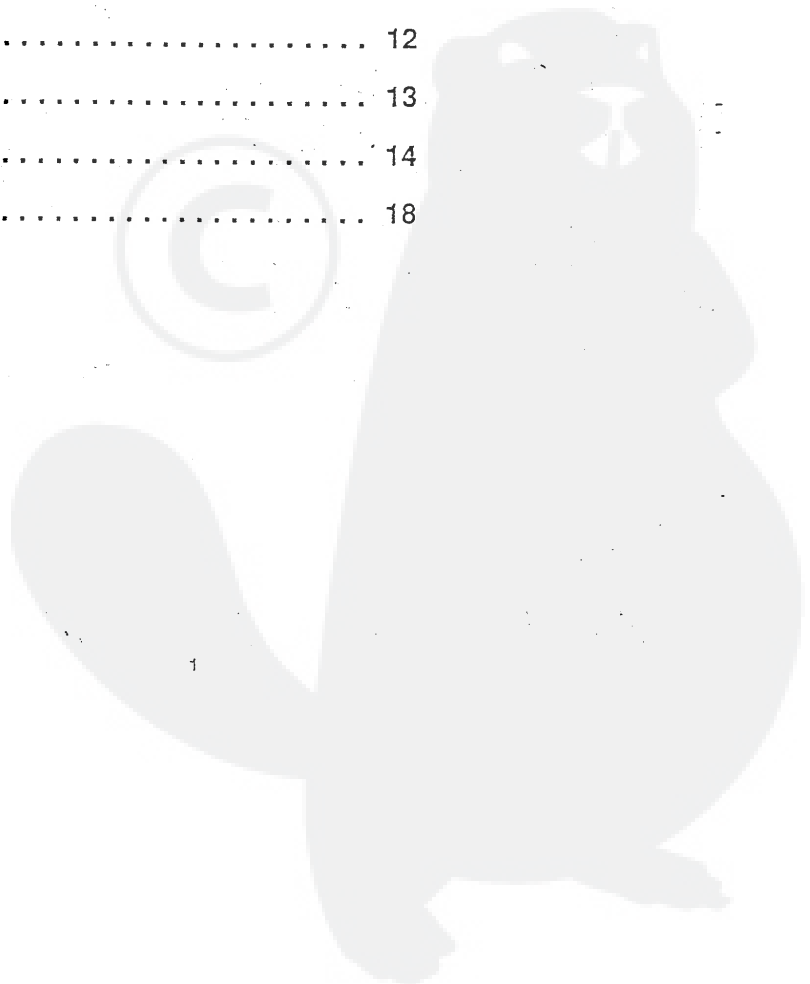
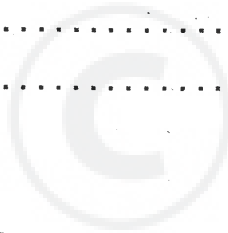
American Yard Products, Inc.

S.C. HWY. 33, AND OLD CAMERON ROAD
P.O. BOX 1687
ORANGEBURG, SC 29116

ILLUSTRATED PARTS BREAKDOWN

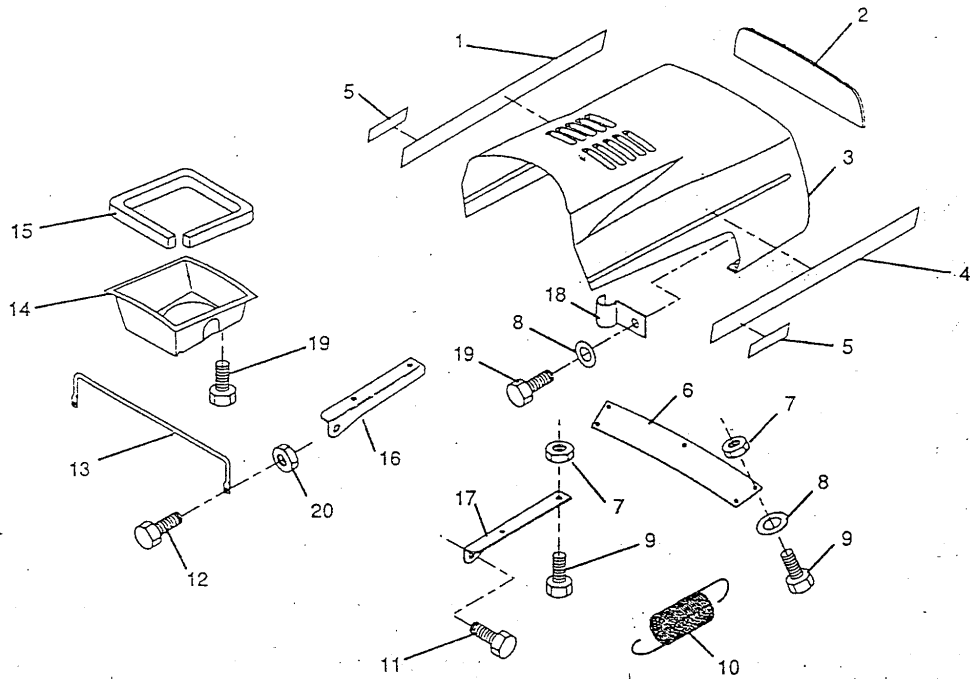
TABLE OF CONTENTS

HOOD	2
FENDER / CHASSIS	3
SEAT	4
DASH	5
STEERING WHEEL	6
SECTOR GEAR / AXLE SUPPORT	7
FRONT AXLE	8
PARKING BRAKE / REAR MOWER LIFT ASM.	9
ENGINE / THROTTLE	10
GROUND DRIVE	11
TRANSAXLE	12
MOWER LIFT-LEVER	13
MOWER DECK	14
ELECTRICAL	18



ILLUSTRATED PARTS BREAKDOWN

HOOD

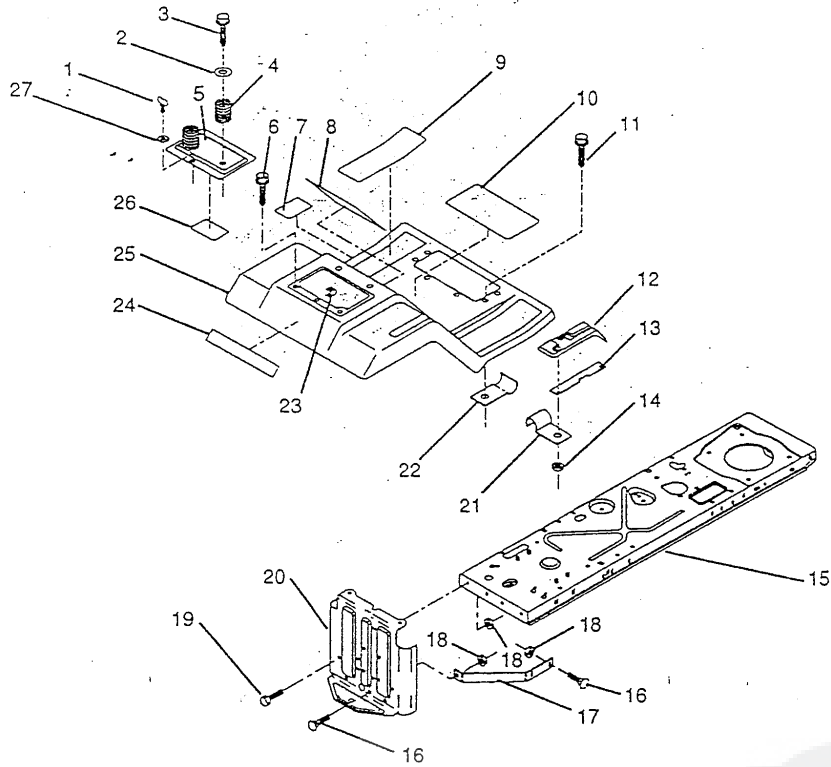


KEY NO.	PART NO.	DESCRIPTION	KEY NO.	PART NO.	DESCRIPTION
1	122036X	Decal, L.H. Hood Stripe	11	124312X	Bolt, Shoulder
2	122035X	Lens	12	74780412	Bolt, Hex Fin. 14-20 x 3/4 Gr.5
3	123527X	Assembly, Hood & Grill	13	123693X	Brace, Hood
4	122037X	Decal, R.H. Hood Stripe	14	123840X	Duct, Air
5	122038X	Decal, Side Panel	15	120537X	Strip, Foam
6	122550X	Strap, Grill	16	122548X	Bracket, Hood L.H.
7	120579X	Palnut	17	122549X	Bracket, Hood R.H.
8	19091016	Washer, 9/32 x 5/8 x 16 Ga.	18	2751R	Clip, Fuel Line
9	74780410	Bolt, Hex Fin. 5 1/4 x 20 UNC 5/8 Gr.5	19	17411310	Screw, Fin. Hex #13-16 Hi-Lo x 5/8
10	124657X	Extention, Spring	20	73680400	Nut, Crownlock 1/4-20

HARDWARE SHOWN LARGER FOR EASIER IDENTIFICATION

ILLUSTRATED PARTS BREAKDOWN

FENDER / CHASSIS

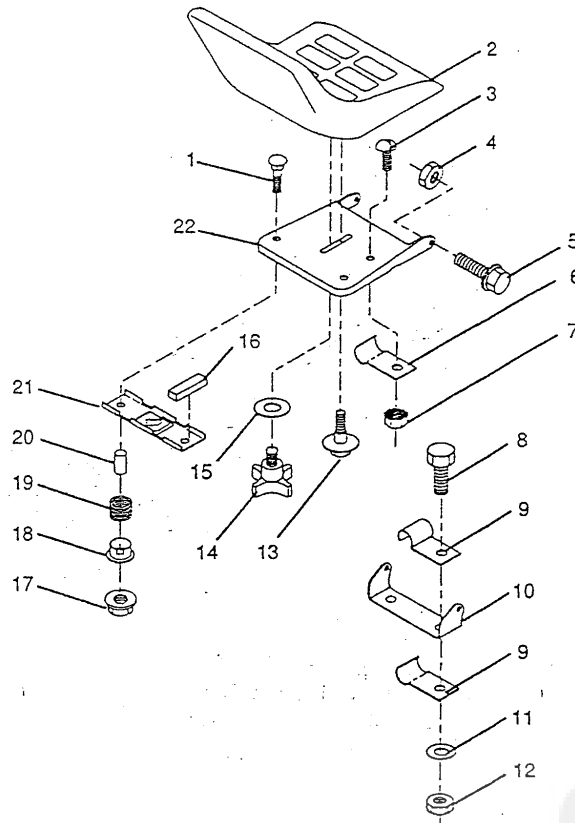


KEY NO.	PART NO.	DESCRIPTION	KEY NO.	PART NO.	DESCRIPTION
1	123650X	Stud 1/4 Turn	12	126221X	Console, Shift Control
2	19132012	Washer 13/32 x 1 1/4 x 12 Ga.	13	124307X	Bar, Shift Lock
3	17490612	Screw, Hex Wsh. Thrdol. 3/8-16 x 3/4	14	120579X	Pinnut
4	124181X	Spring, Compression Seat	15	123645X	Assembly, Frame
5	122008X	Door, Fender	16	72140506	Bolt, Carriage 5/16-18 UNC x 3/4
6	17490508	Screw, Hex Wsh. Thrdol. 5/16-18 x 1/2	17	123379X	Brace, Drawbar
7	123408X	Decal, Ground Drive Schematic	18	73680500	Nut, Crownlock 5/16-18
8	120822X	Decal, Caution	19	74760512	Bolt, Hex Hd. 5/16-18 UNC x 3/4
9	124144X	Pad, Footrest	20	121904X	Drawbar
10	123637X	Decal, Operating Instructions	21	6798R	Clip, Insulated
11	17490512	Screw, Hex Wsh. Thrdol. 5/16-18 x 3/4	22	6794R	Clip, Insulated
			23	105839X	Receptacle 1/4 Turn
			24	123689X	Decal, Fender
			25	124332X	Fender/Footrest
			26	121549X	Decal, Battery Caution
			27	105838X	Retainer 1/4 Turn

HARDWARE SHOWN LARGER FOR EASIER IDENTIFICATION

ILLUSTRATED PARTS BREAKDOWN

SEAT

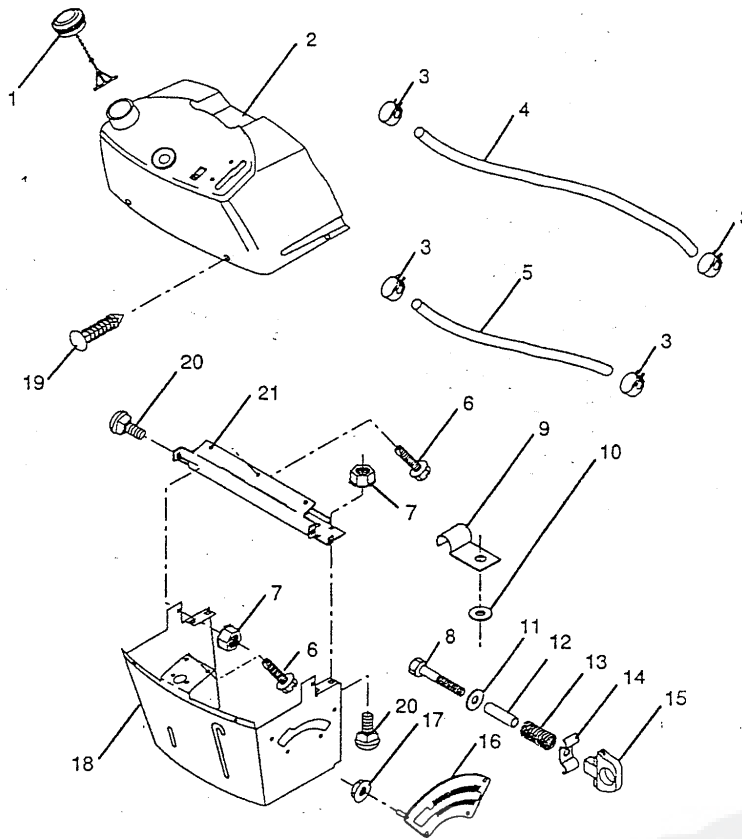


KEY NO.	PART NO.	DESCRIPTION	KEY NO.	PART NO.	DESCRIPTION
1	72170410	Bolt, Carriage 1/4-20 x 1 1/4	12	73680600	Nut, Crownlock 3/8-16 UNC
2	121076X	Seat	13	121144X	Bolt, Shoulder
3	74641008	Screw, Slotted Pan Head 10-32 x 1/2	14	120068X	Knob, Seat 1/2"
4	73680500	Nut, Crownlock 5/16-18	15	19171912	Washer, 17/32 x 1 3/16 x 12 Ga.
5	105529X	Bolt, Shoulder 5/16-18 UNC	16	121251X	Strip, Foam
6	4171R	Clip, Insulated	17	123976X	Nut, Hex Large Flange Loc.
7	73951000	Nut, Keps 10-32 UNF	18	121248X	Bushing, Snap
8	74760612	Bolt, Fin. Hex 3/8-16 UNC x 3/4	19	121250X	Spring, Compression
9	2751R	Clip, Fuel Line	20	121249X	Spacer, Split 28 Id. x .88 Lg.
10	105513X	Bracket, Pivot Seat	21	121246X	Bracket, Switch, Mounting
11	19131210	Washer 13/32 x 3/4 x 10 Ga.	22	121247X	Pan, Seat

HARDWARE SHOWN LARGER FOR EASIER IDENTIFICATION

ILLUSTRATED PARTS BREAKDOWN

DASH

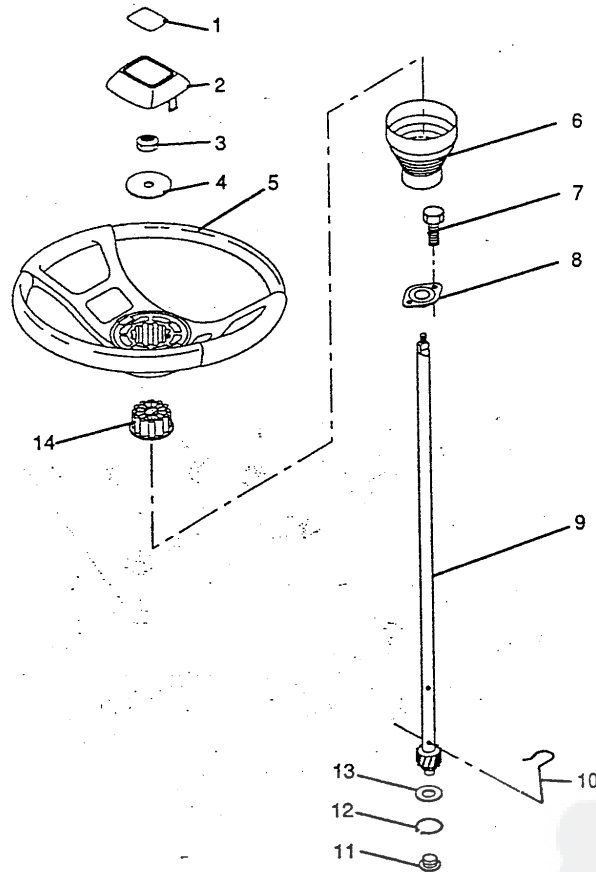


KEY NO.	PART NO.	DESCRIPTION	KEY NO.	PART NO.	DESCRIPTION
1	122015X	Cap, Fuel	12	123494X	Spacer, Split
2	124540X	Assembly, Dash & Fuel Tank	13	2876H	Spring
3	123487X	Clamp, Hose	14	123493X	Clip, Height Adjustment
4	8548R	Line, Fuel	15	126115X	Knob, Height Stop
5	8544R	Line, Fuel	16	122023X	Adjustment, Quadrant Height
6	17111312	Screw Hex Hd. Washer	17	124346X	Screw Self Thread 3/16-18
7	73510400	Nut, Hex Keps 1/4-20	18	121789X	Support, Dash
8	74760432	Bolt, Fin. Hex 1/4-20 x 2	19	122017X	Snap, Plastic
9	2751R	Clip, Fuel line	20	72110404	Bolt, Carriage 1/4-20 x 1/2 Gr.5
10	19091216	Washer 9/32 x 3/4 x 16 Ga.	21	122016X	Brace, Cross
11	19111116	Washer, 11/32 x 11/16 x 16 Ga.			

HARDWARE SHOWN LARGER FOR EASIER IDENTIFICATION

ILLUSTRATED PARTS BREAKDOWN

STEERING WHEEL

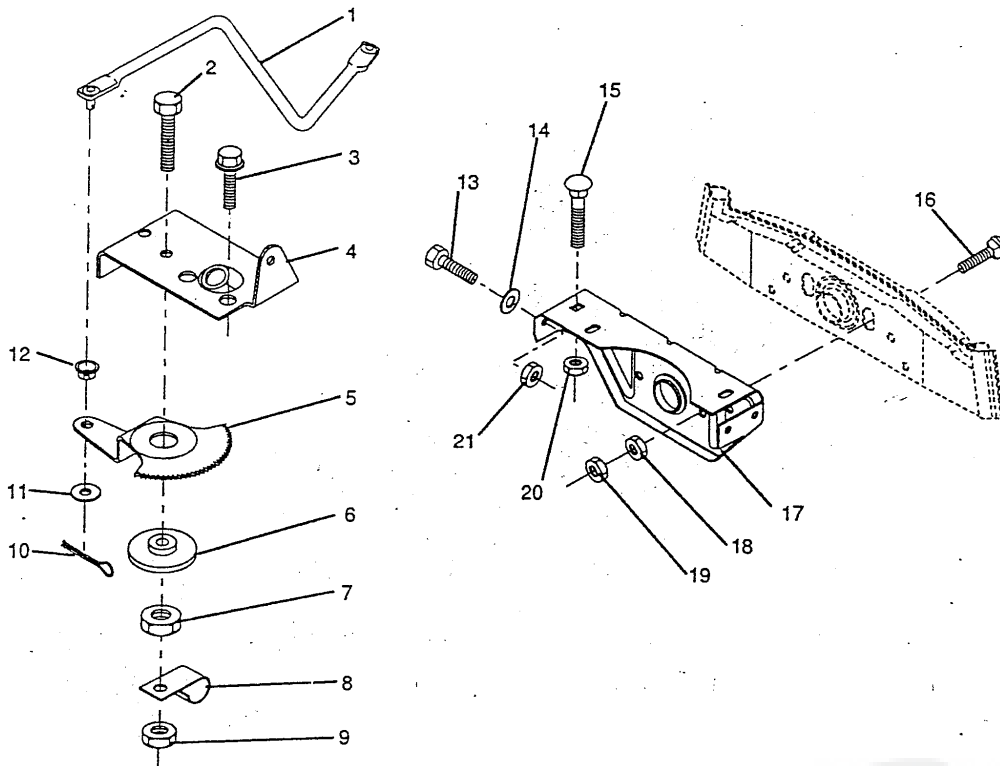


KEY NO.	PART NO.	DESCRIPTION	KEY NO.	PART NO.	DESCRIPTION
1	123690X	Decal Steering Wheel Yard Pro	8	102803X	Bushing, Steering
2	100710L	Insert, Wheel, Steering	9	123651X	Shaft, Steering
3	7810H	Nut, Lock 3/8-24 UNF	10	124210X	Clip, Steering
4	19133808	Washer 13/32 x 2 3/8 x 8 Ga.	11	123438X	Bushing, Lower, Steering
5	100713N	Wheel Steering	12	12000045	Ring, Retaining
6	121897X	Sleeve, Steering	13	19211616	Washer 21/32 x 1 x 16 Ga.
7	17431008	Screw, Hex SLFTP #10-16 x 1/2 TY-B	14	104820X	Adaptor, Wheel, Steering

HARDWARE SHOWN LARGER FOR EASIER IDENTIFICATION

ILLUSTRATED PARTS BREAKDOWN

SECTOR GEAR / AXLE SUPPORT

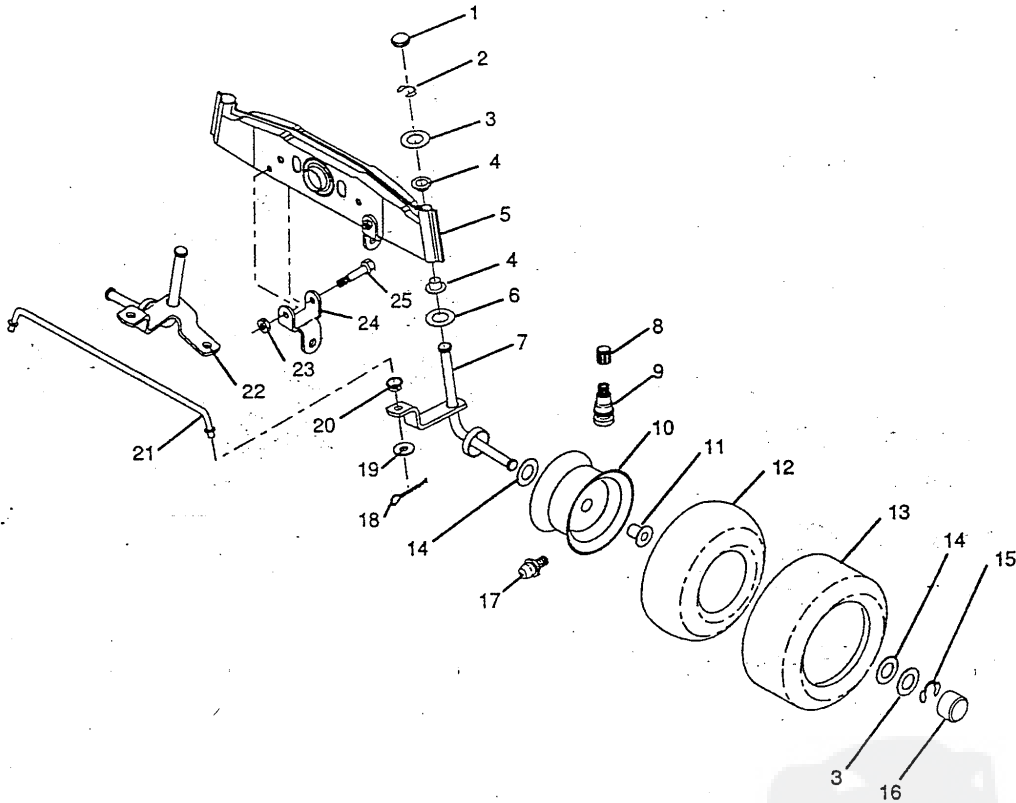


KEY NO.	PART NO.	DESCRIPTION	KEY NO.	PART NO.	DESCRIPTION
1	124093X	Link, Drag	12	120754X	Bushing
2	74780828	Bolt, Fin. Hex 1/2-13 x 1 3/4	13	74760512	Bolt, Hex Hd. 5/16-18 UNC x 3/4
3	17490508	Screw Hex Thrdrol 5/16-18 x 1/2	14	19111416	Washer 11/32 x 7/8 x 16 Ga.
4	121925X	Plate, Steering Support	15	72110606	Bolt, Carriage 3/8-16 UNC x 3/4
5	121926X	Gear, Sector	16	72140622	Bolt, Carriage
6	121927X	Bushing	17	121912X	Support, Front Axle
7	73030800	Nut, Heavy Hex Top Lock 1/2-13 UNC	18	73220600	Nut, Fin. Hex 3/8-16 UNC
8	123434X	Clip, Wire	19	73930600	Nut, Centerlock 3/8-16 UNC
9	73680800	Nut, Crownlock 3/8-16	20	73680600	Nut, Crownlock 3/8-16 UNC
10	76020412	Pin, Cotter 1/8 x 3/4	21	73680500	Nut, Crownlock 5/16-18
11	19131316	Washer, 13/32 x 13/16 x 16 Ga.			

HARDWARE SHOWN LARGER FOR EASIER IDENTIFICATION

ILLUSTRATED PARTS BREAKDOWN

FRONT AXLE

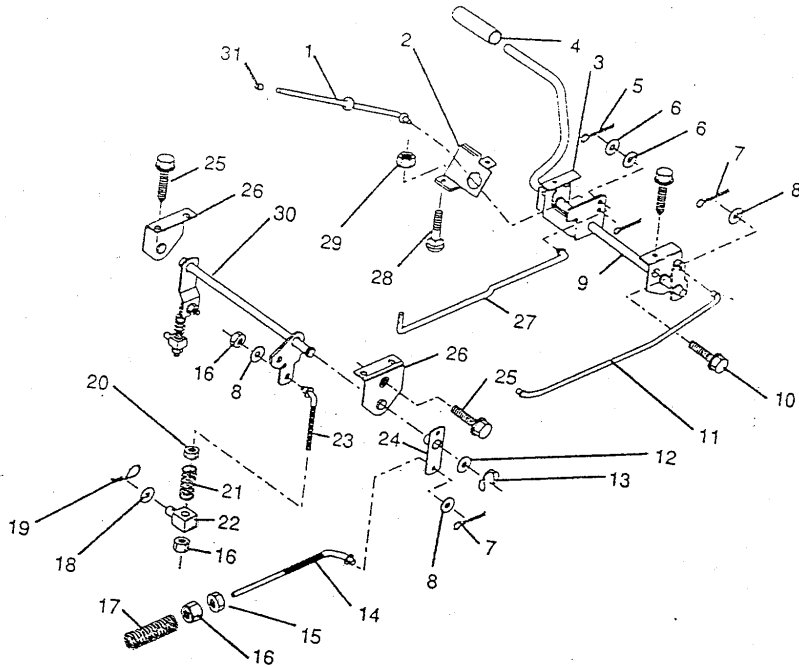


KEY NO.	PART NO.	DESCRIPTION	KEY NO.	PART NO.	DESCRIPTION
1	121232X	Cap, Spindle	15	12000029	Ring, Clip
2	12000029	Ring, Clip	16	104757X	Cap, Hub
3	121748X	Washer, 25/32 x 1 5/8 x 16 Ga.	17	278H	Fitting, Grease
4	121922X	Nyliner	18	76020412	Pin, Cotter 1/8 x 3/4
5	121914X	Axle, Front	19	19131316	Washer 13/32 x 13/16 x 16 Ga.
6	6266H	Bearing, Thrust	20	120754X	Bushing
7	121919X	Spindle R.H. Asm.	21	121924X	Rod, Tie
8	59192	Cap, Valve	22	121916X	Spindle, L.H. Asm.
9	65139	Stem, Valve	23	73680500	Nut, Crownlock 5/16-18
10	122394X	Rim	24	121915X	Bracket, Front Stabilizer
11	9040H	Bearing, Flange	25	74760540	Link
12	59904	Tube			Bolt, Hex Fin. 5/16 x 18 UNC x 2 1/2
13	123410X	Tire, Front			
14	121749X	Washer 25/32 x 1 1/4 x 16 Ga.			

HARDWARE SHOWN LARGER FOR EASIER IDENTIFICATION

ILLUSTRATED PARTS BREAKDOWN

BRAKE / REAR MOWER LIFT ASSEMBLY

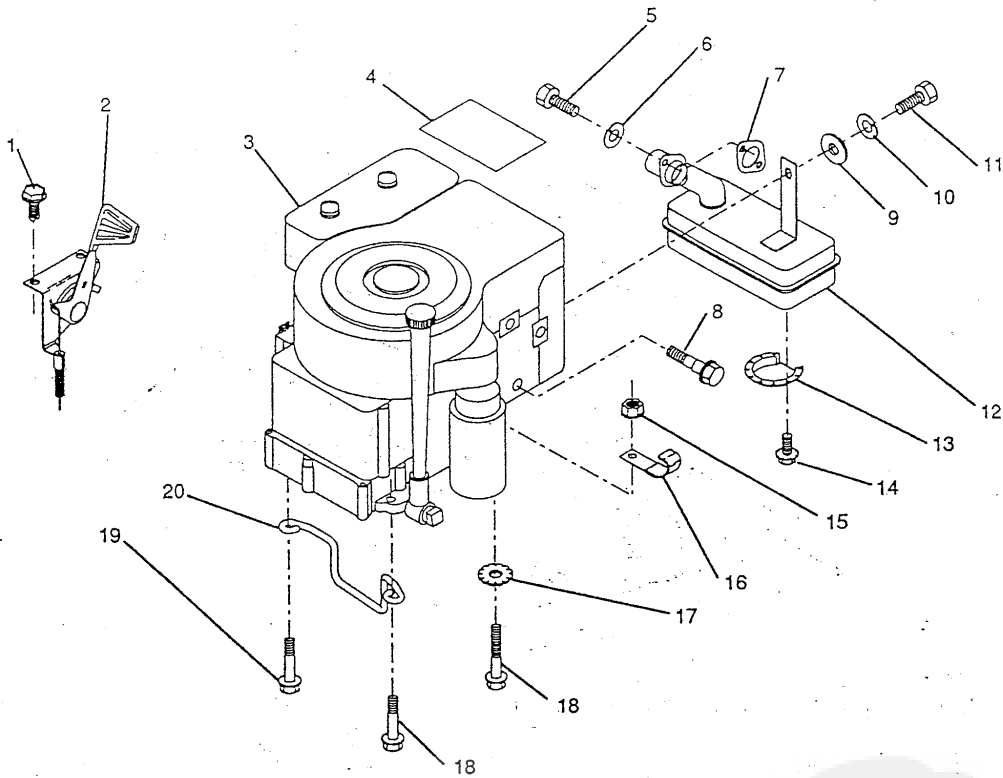


KEY NO.	PART NO.	DESCRIPTION	KEY NO.	PART NO.	DESCRIPTION
1	123436X	Rod, Parking Brake	16	73680600	Nut, Crownlock 3/8-16 UNC
2	123437X	Bracket, Parking Brake	17	106888X	Rod, Spring Brake
3	122504X	Bracket, L.H. Clutch	18	19132012	Washer 13/32 x 1 1/4 x 12 Ga.
4	8883R	Pedal	19	4921H	Spring, Retainer
5	76020312	Cover, Pedal	20	73930600	Nut, Centerlock 3/8-16 UNC
6	19131016	Pin, Cotter	21	106888X	Rod, Spring Brake
7	76020412	Washer, 13/32 x 5/8 x 16 Ga.	22	106204X	Trunnion, Lift
8	19131316	Pin, Cotter	23	123672X	Link, Threaded
9	124145X	Washer 13/32 x 13/16 x 16 Ga.	24	123641X	Assembly, Brake Pivot Arm
10	17490508	Assembly, Clutch/Brake Pedal	25	17490508	Screw Hex Thdrol. 5/16-18 x 1/2
11	123543X	Screw Hex Thdrol. 5/16-18 x 1/2	26	121978X	Rod, Front Brake
12	19251816	Rod, Front Brake	27	123394X	Washer 25/32 x 1 1/8 x 16 Ga.
13	12000034	Washer 25/32 x 1 1/8 x 16 Ga.	28	72110506	Ring, Clip
14	123546X	Ring, Clip	29	73510500	Rod, Rear Brake
15	73350600	Rod, Rear Brake	30	123547X	Nut, Hex Jam 3/8-16 UNC
			31	71673	Cap, Plunger

HARDWARE SHOWN LARGER FOR EASIER IDENTIFICATION

ILLUSTRATED PARTS BREAKDOWN

ENGINE / THROTTLE

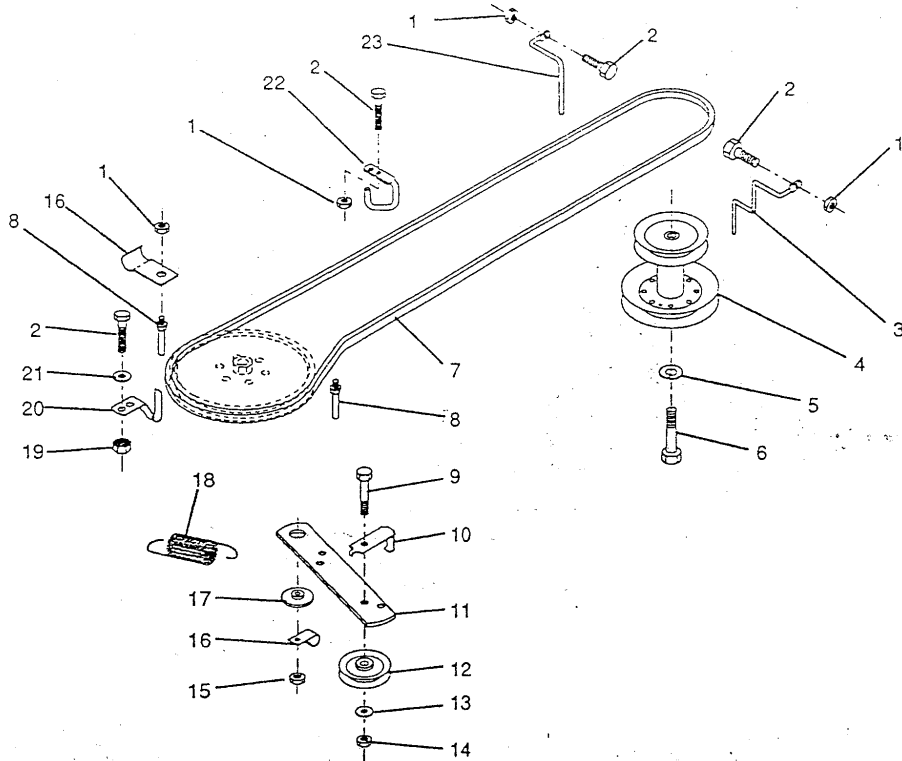


KEY NO.	PART NO.	DESCRIPTION	KEY NO.	PART NO.	DESCRIPTION
1	17720408	Screw, Hex Thd. Cut 1/4-20 x 1/2	11	74780412	Bolt, Hex Fin. 1/4-20 UNC x 3/4
2	122014X	Control, Throttle	12	123676X	Muffler
3	124136X	Engine, Briggs and Stratton	13	101326L	Deflector, Muffler
4	120601X	Decal, Engine 12 HP	14	17030808	Screw, Spiderlock Hex Hd. 8 x 1/2 ABTPS
5	71070512	Screw, Hex Hd. Cap 5/16-18 x 3/4	15	73510600	Nut, Keps 3/8-16
6	10040500	Washer, Lock Heavy Helical Spring 5/16	16	2751R	Clip, Fuel Line
7	1407J	Gasket, Exhaust	17	11050600	Lockwasher, Ext. Tooth 3/8
8	121094X	Bolt, Shoulder 5/16	18	17490632	Screw, Hex Wsh Hd Thrd 3/8-16 x 2
9	19101216	Washer, 5/16 x 3/4 x 16 Ga.	19	17490624	Screw, Hex Wsh Hd Thrd 3/8-16 x 1 1/2
10	10040400	Washer, Lock Heavy Helical Spring 1/4	20	123401X	Keeper, Ground Drive Belt

HARDWARE SHOWN LARGER FOR EASIER IDENTIFICATION

ILLUSTRATED PARTS BREAKDOWN

GROUND DRIVE

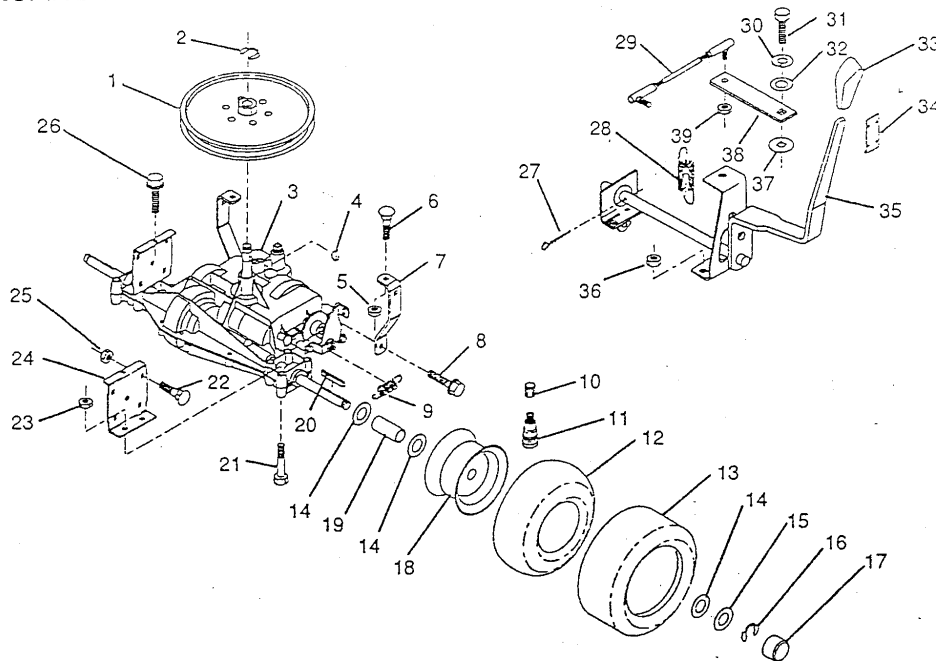


KEY NO.	PART NO.	DESCRIPTION	KEY NO.	PART NO.	DESCRIPTION
1	73680500	Nut, Crownlock 5/16-18.	12	4859J	Idler, Flat
2	74760512	Bolt, Hex Hd. 5/16-18 UNC x 3/4	13	19131316	Washer 13/32 x 13/16 x 16 Ga.
3	123448X	Keeper, Engine Mower Drive R.H. Belt	14	73930600	Nut, Centerlock 3/8-16 UNC
4	123400X	Pulley, Engine	15	73680600	Nut, Crownlock 3/8-16 UNC
5	10040700	Washer, Lock Hvy. Helical Spring 7/16	16	2751R	Clip, Fuel Line
6	74770720	Bolt, Fin. Hex 7/16-20 UNF x 1 1/4	17	122052X	Spacer, Retainer
7	124525X	Traction, V-Belt Drive	18	123397X	Spring, Extension
8	123405X	Keeper, T/A Ground Drive Belt	19	73510500	Nut, Keps 5/16-18 UNC
9	74760624	Bolt, Hex Hd. 3/8-16 UNC x 1 1/2	20	123891X	Keeper, T/A Ground Drive Belt
10	123396X	Keeper, Belt Ground Drive Idler	21	19111016	Washer 11/32 x 5/8 x 16 Ga.
11	123395X	Arm, Ground Drive Clutch	22	123404X	Keeper, Frame Ground Drive Belt
			23	123402X	Keeper, Engine Mower Drive L.H. Belt

HARDWARE SHOWN LARGER FOR EASIER IDENTIFICATION

ILLUSTRATED PARTS BREAKDOWN

TRANSAXLE

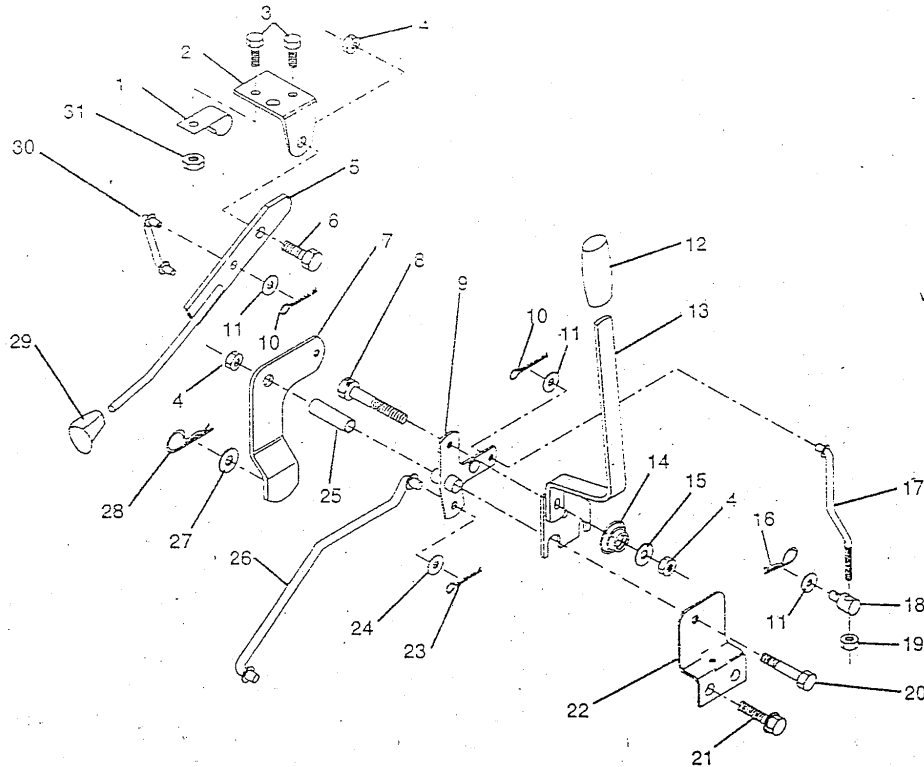


KEY NO.	PART NO.	DESCRIPTION	KEY NO.	PART NO.	DESCRIPTION
1	123385X	Pulley	21	74760644	Bolt, Fin, Hex 3/8-16 x 2 3/4
2	12000028	Ring, Retainer	22	72140506	Bolt, Carriage 5/16-18 UNC. x 3/4
3	123483X	Transaxle	23	73680600	Nut, Crownlock 3/8-16
4	2228M	Key, Woodruff #9	24	123377X	Bracket, Transaxle
5	73680500	Nut, Crownlock 5/16-18	25	73680500	Nut, Crownlock 5/16-18
6	72140506	Bolt, Carriage 5/16-18 UNC x 3/4	26	17490512	Screw, 5/16-18 x 3/4
7	123378X	Strap, Torque	27	76020416	Pin, Cotter 1/8 X 1
8	17490508	Screw, Hex Thdrol. 5/16-18 x 1/2	28	123393X	Extension, Spring
9	110442X	Spring, Brake	29	123632X	Link, Shift
10	59192	Cap, Valve	30	10040400	Washer, Lock Hvy. Helical Spring 1/4
11	65139	Stem, Valve	31	71040412	Bolt, Fin, Hex 1/4-28 UNF x 3/4 Gr.8
12	8134H	Tire, Rear	32	19091210	Washer 9/32 x 3/4 x 10 Ga.
13	123411X	Washer 25/32 x 1 1/4 x 16 Ga.	33	122011X	Knob, Shift Control
14	121749X	Washer, 25/32 x 1 5/8 x 16 Ga.	34	123692X	Knob, Retainer
15	121748X	E-Ring	35	123388X	Assembly, Shift Handle
16	12000001	Hub, Cap	36	73510500	Nut, Keps 5/16-18
17	104757X	Rim	37	105701X	Washer, Shift Plate
18	123412X361	Spacer	38	123484X	Arm, Shift
19	123409X	Key, Square	39	73810500	Nut, Hex Nylon 5/16-24
20	123583X				

HARDWARE SHOWN LARGER FOR EASIER IDENTIFICATION

ILLUSTRATED PARTS BREAKDOWN

MOWER LIFT LEVER

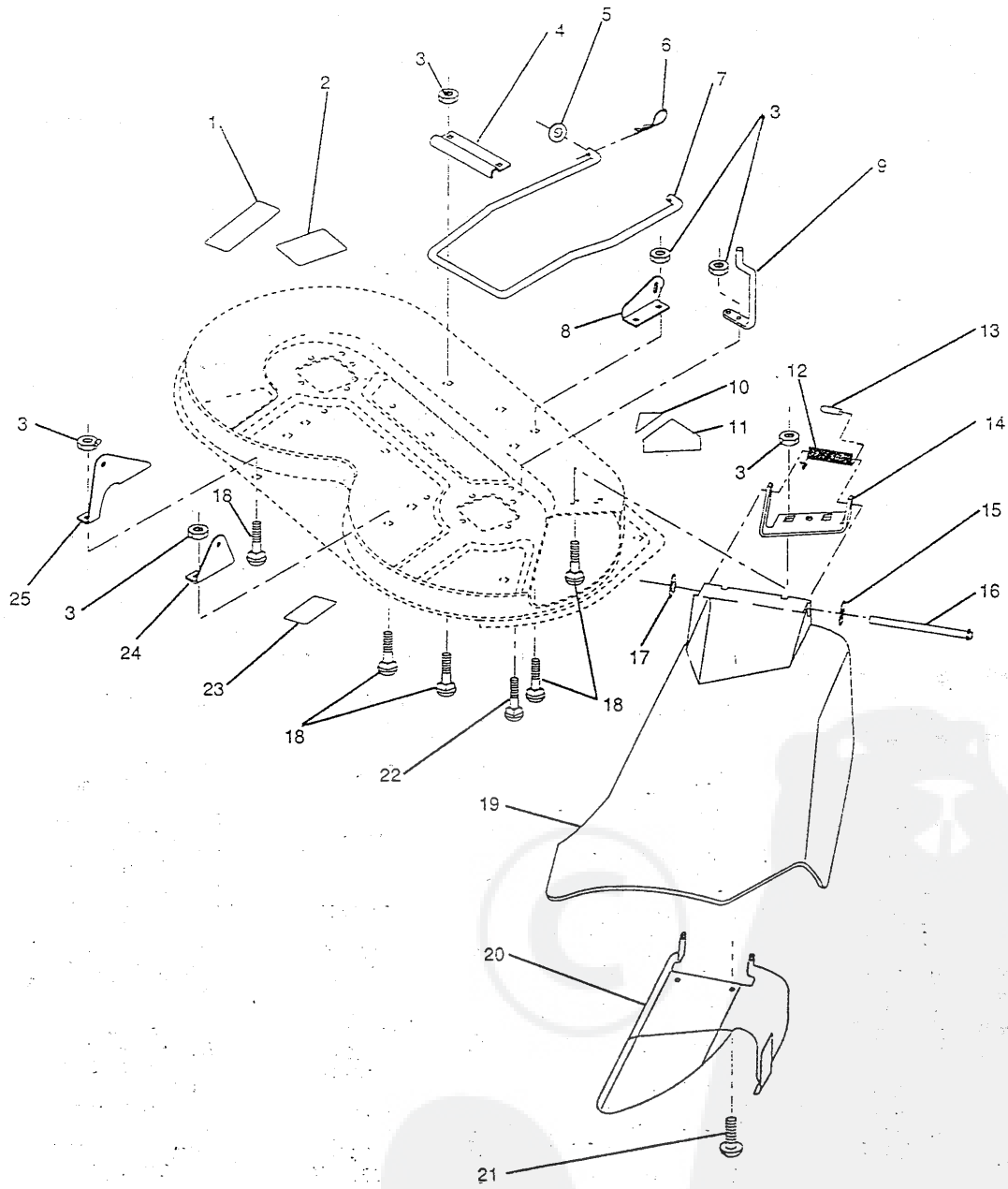


KEY NO.	PART NO.	DESCRIPTION	KEY NO.	PART NO.	DESCRIPTION
1	2751R	Clip, Fuel Line	17	123654X	Link, Front Lift
2	122018X	Bracket, Mower Clutch	18	7078J	Threaded, Trunnion 3/8-16
3	74780408	Bolt, Fin. Hex 1/4-20 Unc x 1/2 Gr.5	19	73350600	Nut, Hex Jam 3/8 x 16 UNC
4	73680600	Nut, Crownlock 3/8-16 UNC	20	74760644	Bolt, Fin. Hex 3/8-16 UNC x 2 3/4
5	123417X	Assembly, Clutch Lever	21	17490508	Screw, Hex Thdrol. 5/16-18 x 1/2
6	106451X	Bolt, Shoulder	22	121929X	Bracket, Mower Height
7	123491X	Assembly, Mower Clutch Arm	23	76020416	Pin, Cotter 1/8 x 1
8	74760636	Bolt, Hex 3/8-16 UNC x 2 1/4	24	19171616	Washer 17/32 x 1 x 16 Ga.
9	121930X	Assembly, Bellcrank Lift	25	121933X	Tube, Spacer
10	76020312	Pin, Cotter 3/32 x 3/4	26	121934X	Rod, Mower Lift
11	19131316	Washer, 13/32 x 13/16 x 16 Ga.	27	19131316	Washer, 13/32 x 13/32 x 16 Ga.
12	122027X	Grip, Handle	28	4921R	Retainer, Spring
13	122741X	Assembly, Lift Handle	29	121466X	Knob
14	123496X	Spring, Compression	30	123671X	Link, Mower Clutch
15	19131212	Washer, 13/32 x 3/4 x 12 Ga.	31	73680400	Nut, Crownlock 1/4-20
16	76020412	Pin, Cotter 1/8 x 3/4			

HARDWARE SHOWN LARGER FOR EASIER IDENTIFICATION

ILLUSTRATED PARTS BREAKDOWN

MOWER DECK

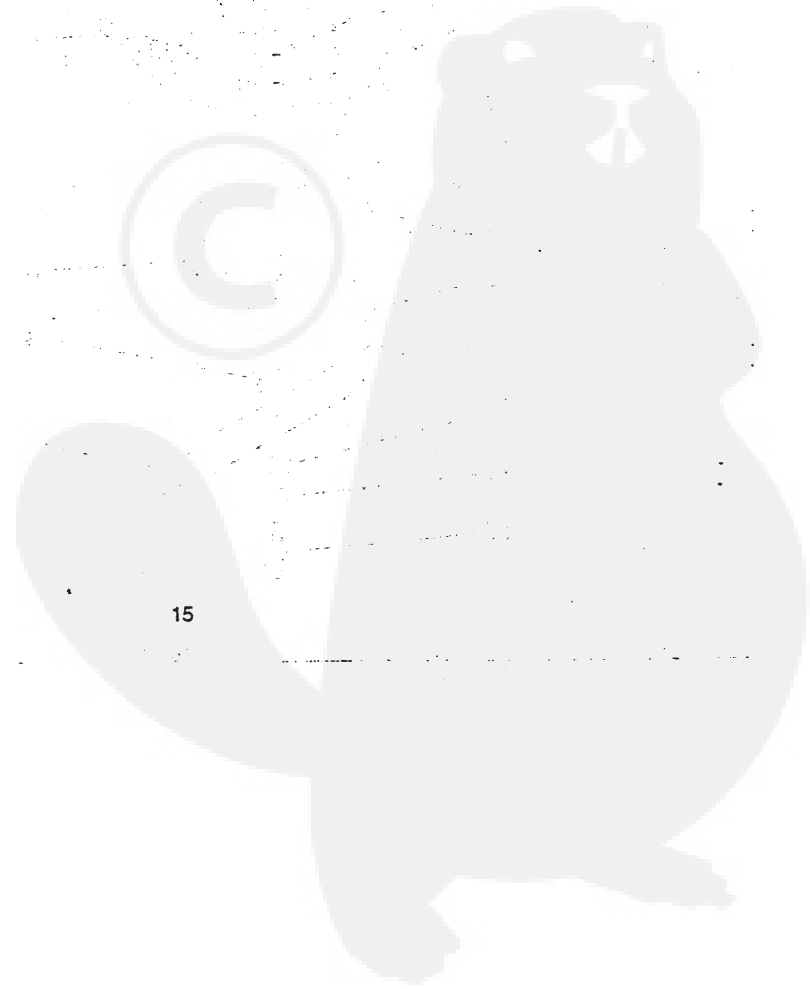


ILLUSTRATED PARTS BREAKDOWN

MOWER DECK

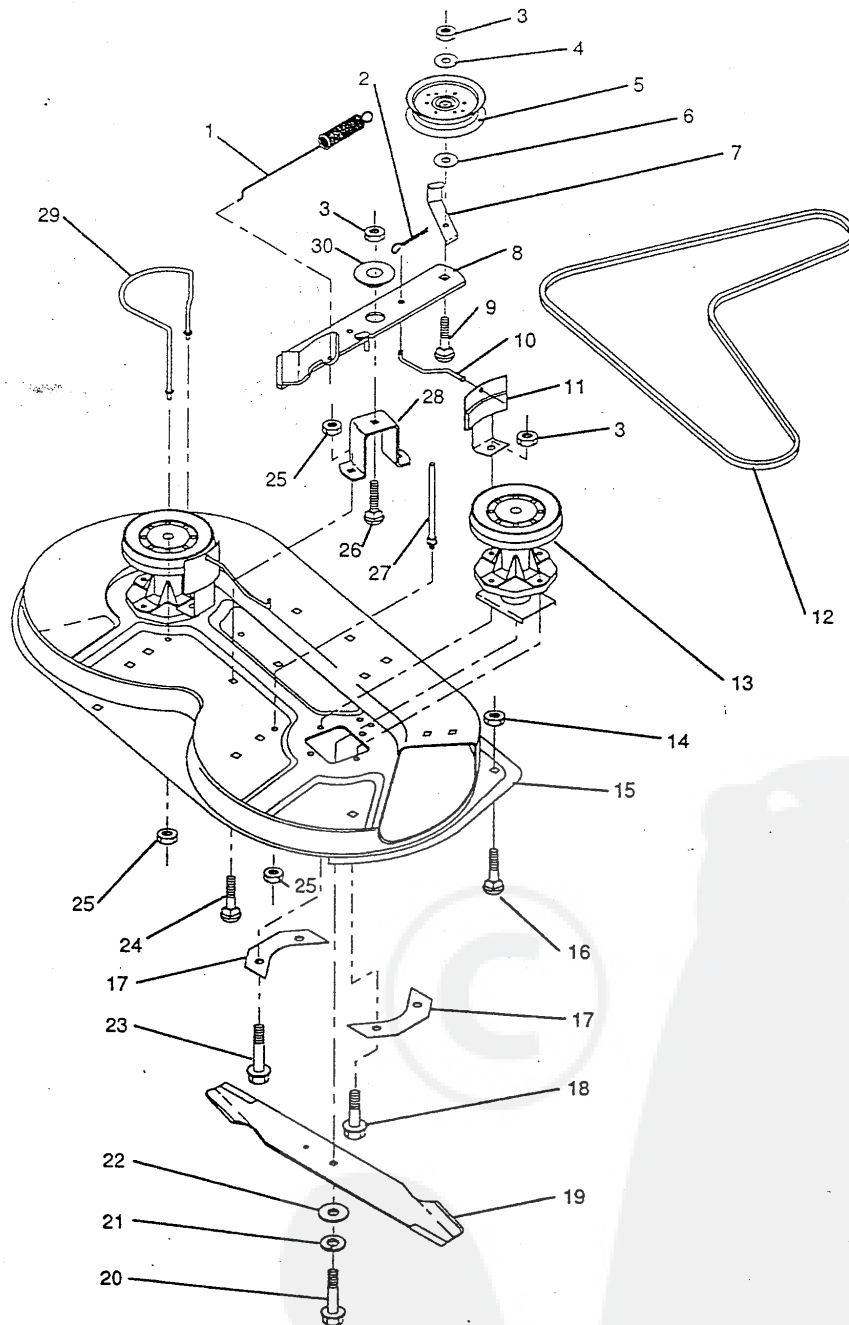
KEY NO.	PART NO.	DESCRIPTION	KEY NO.	PART NO.	DESCRIPTION
1	109820X	Decal, Caution	14	123596X	Bracket, Deflector
2	105814X	Decal, V-Belt Mower Drive	15	19111016	Washer 11/32 x 5/8 x 16 Ga.
3	73680500	Nut Crownlock 5/16-18	16	121980X	Rod, Hinge
4	122047X	Bracket, Stabilizer Link	17	110452X	Pushnut
5	19171713	Washer 17/32 x 1 1/16 x 13 Ga.	18	72140505	Bolt, Carriage 5/16-18 UNC x 5/8
6	4921H	Retainer, Spring	19	123486X	Guard, Discharge
7	124636X	Stabilizer, Mower Link	20	125629X	Assembly, Deflector Support
8	122045X	Bracket, R.H. Front Lift	21	17051007	Screw, Pan Hd. PLT-30
9	123661X	Guide, Front Mandrel	22	74760512	Bolt, Hex Head 5/16-18 UNC x 3/4
10	109984X	R.H. Mower Belt	23	123649X	Decal, Warning
11	123658X	Decal, Safety Standard	24	122043X	Bracket, R.H. Rear Lift
12	123713X	Decal, Warning	25	122044X	Bracket, L.H. Rear Lift
13	105304X	Spring, Torsion			
		Cap, Sleeve			

HARDWARE SHOWN LARGER FOR EASIER IDENTIFICATION



ILLUSTRATED PARTS BREAKDOWN

MOWER DECK

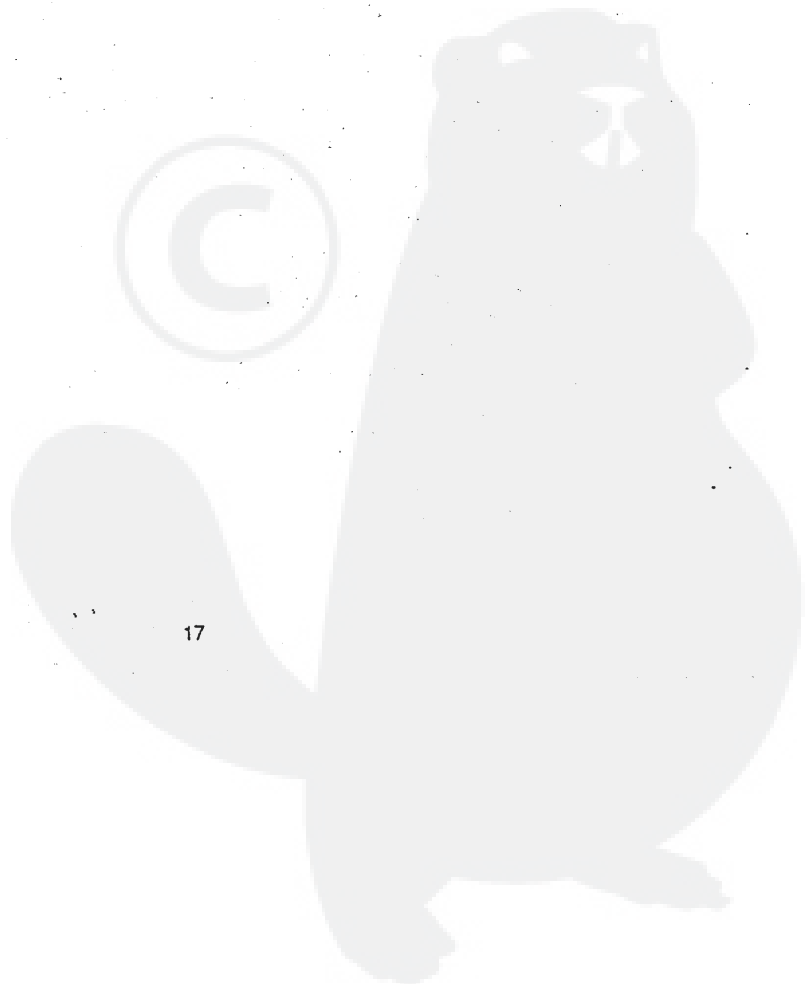
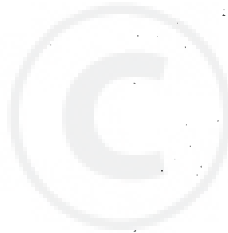


ILLUSTRATED PARTS BREAKDOWN

MOWER DECK

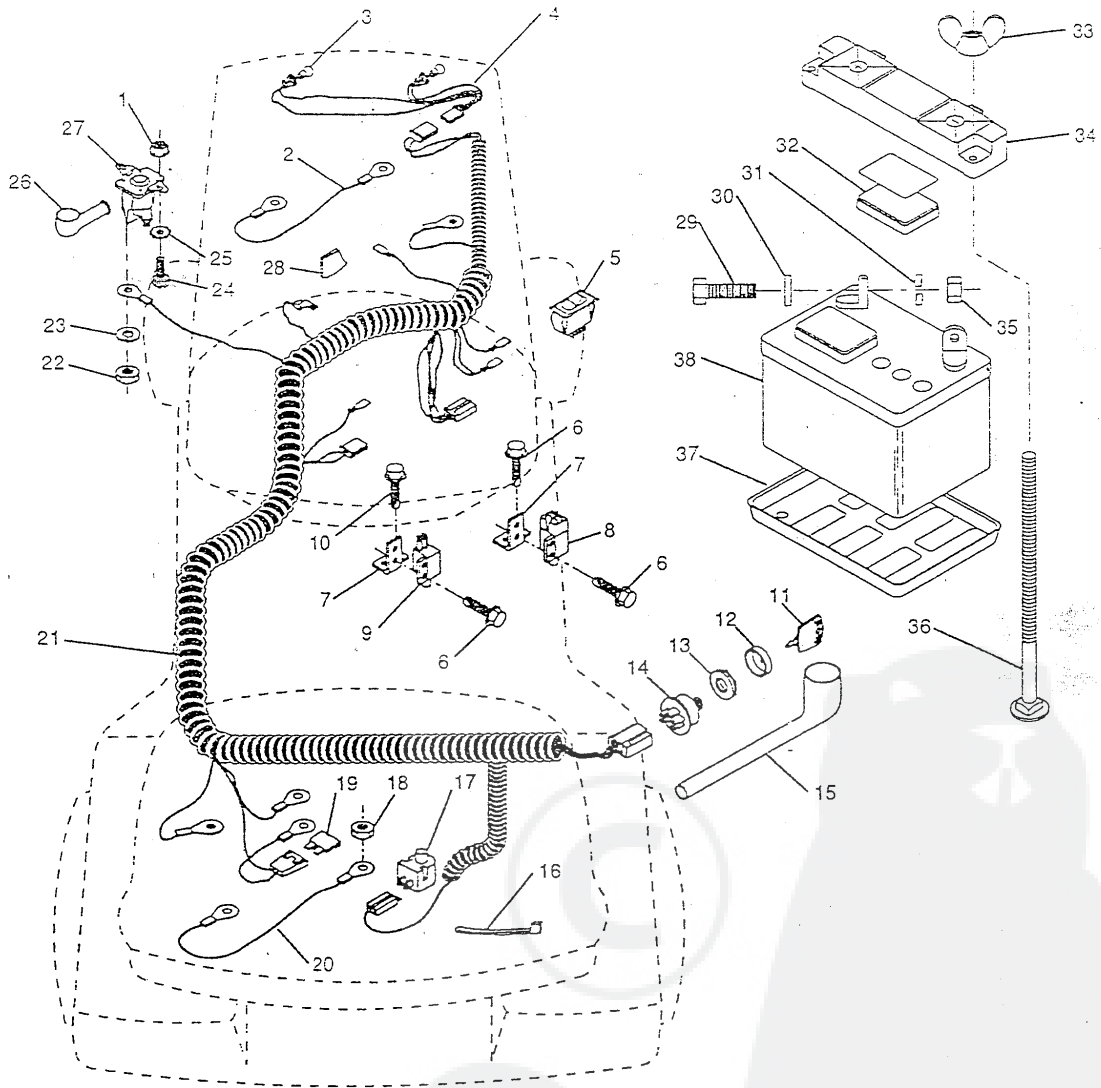
KEY NO.	PART NO.	DESCRIPTION	KEY NO.	PART NO.	DESCRIPTION
1	122028X	Spring, Mower Clutch	17	100668L	Support, Plate Jackshaft
2	76020312	Pin, Cotter 3/32 x 3/4	18	17490614	Screw Hex Thdrol. 3/8-16 x 7/8
3	73680600	Nut, Crownlock 3/8-16 UNC	19	120262X	Blade, High Lift
4	19131412	Washer 13/32 x 7/8 x 12 Ga.	20	74610624	Bolt, Fin. Hex 3/8-24 UNF x 1 1/2 Gr.5
5	121316X	Idler, Flat	21	10030600	Washer, Lock Hvy.3/8
6	19132203	Washer 13/32 x 1 3/8 3 Ga.	22	19132012	Washer 13/32 x 1 1/4 x 12 Ga.
7	123204X	Guide, Belt	23	17490620	Screw Hex Thdrol. 3/8-16 x 1 1/4
8	123702X	Assembly, Mower Idler Arm	24	72140505	Bolt, Carriage 5/16-18 UNC x 5/8
9	72110618	Bolt, Carriage 3/8-16 x 2 1/4	25	73680500	Nut, Crownlock 5/16-18
10	122049X	Rod, Brake	26	72110608	Bolt, Carriage 3/8-16 UNC x 1 Gr.5
11	106578X	Assembly, Brake	27	123439X	Guide, R.H. Rear Belt
12	124293X	V-Belt	28	122051X	Support, Idler Arm
13	124208X	Assembly, Mandrel	29	123673X	Guide, L.H. Belt
14	73680400	Nut, Crownlock 1/4-20	30	122052X	Spacer, Retainer
15	121787X	Housing, Mower 36"			
16	72140404	Bolt, Carriage 1/4-20 x 1/2			

HARDWARE SHOWN LARGER FOR EASIER IDENTIFICATION



ILLUSTRATED PARTS BREAKDOWN

ELECTRICAL



ILLUSTRATED PARTS BREAKDOWN

ELECTRICAL

KEY NO.	PART NO.	DESCRIPTION	KEY NO.	PART NO.	DESCRIPTION
1	73517400	Nut Hex Keps 1/4-20	26	719J	Cover, Terminal
2	105002X	Assembly, Cable	27	109081X	Solenoid
3	7662J	Bulb, Light	28	125760X	Stop, Choke (model YPL120BE only)
4	110859X	Socket, Light Harness			Bolt, Hex Hed. 1/4-20
5	110712X	Switch, Light	29	74760412	UNC x 3/4
6	17021008	Screw, Tap Hex Hd#10-24 x 1/2	30	19091016	Washer 9/32 x 5/8 x 16 Ga.
7	108236X	Bracket, Switch	31	10040400	Washer, Lock Hvy. Helical Spring 1.4
8	104445X	Switch, Interlock	32	121264X	Battery, Cap
9	109553X	Switch, Interlock	33	123198X	Nut, Plastic Locking Nut 1/4-20
10	17211008	Screw, Hex Wsh. Tap #10-16 x 1/2	34	102476X	Guard, Terminal
11	122147X	Key, Molded	35	73220400	Nut, Fin. Hex 1/4-20
12	123620X	Cover, Key Ignition			UNC
13	124211X	Nut, Ignition	36	72240460	Bolt, Carriage 1/4-20
14	4406R	Switch, Interlock			UNC x 7 1/2
15	124083X	Cover, Ignition Switch	37	7603J	Tray, Battery
16	7192J	Tie, Cable	38	121265X	Battery
17	121305X	Switch, Plunger	-	123374X1E	Manual, Owners(English)
18	73510500	Keps, Nut 5/16-18	-	125763X1F	Manual, Owners(French)
19	108824X	Fuse	-	MS-9250	Briggs & Stratton, Operating and Maintenance Manual
20	596J	Assembly, Cable			Part List (English)
21	124190X	Harness, Ignition			Part List (French)
22	73350400	Nut, Hex Jam 1/4-20			
23	10090400	Washer, Lock 1/4			
24	74780408	Bolt Fin. Hex 1/4-20 UNC x 1/2 Gr.5			
25	11050400	Washer, Lock Ext. Tooth 1/4			

HARDWARE SHOWN LARGER FOR EASIER IDENTIFICATION

