

REPAIR PARTS MANUAL
MODEL NO. WZ1292A
LAWN TRACTOR

WIZARD 00273

HOW TO USE THIS MANUAL

This manual is designed to provide the customer with a means to identify the parts on his/her tractor when ordering repair parts. The illustrations may or may not represent the actual assemblies; therefore, it is not recommended to use this manual as a guide to assemble or disassemble the tractor. Some hardware and parts are drawn larger in order to more readily identify them.

Each tractor has its own model number.

The model number for your tractor can be found on the fender under the seat.

When ordering parts, always give the following information:

- Product - "Lawn Tractor"
- Model Number - "WZ1292A"
- Part Number
- Part Description

TABLE OF CONTENTS

SCHEMATIC	3
ELECTRICAL.....	4-5
CHASSIS.....	6-7
DRIVE.....	8-9
STEERING ASSEMBLY.....	10-11
ENGINE.....	12
SEAT	13
DECALS.....	14
MOWER LIFT	15
MOWER DECK	16-17
WARRANTY.....	19-20

REPAIR PARTS

TRACTOR - - MODEL NO. WZ1292A, PRODUCT NO. 964 79 00-00
ELECTRICAL

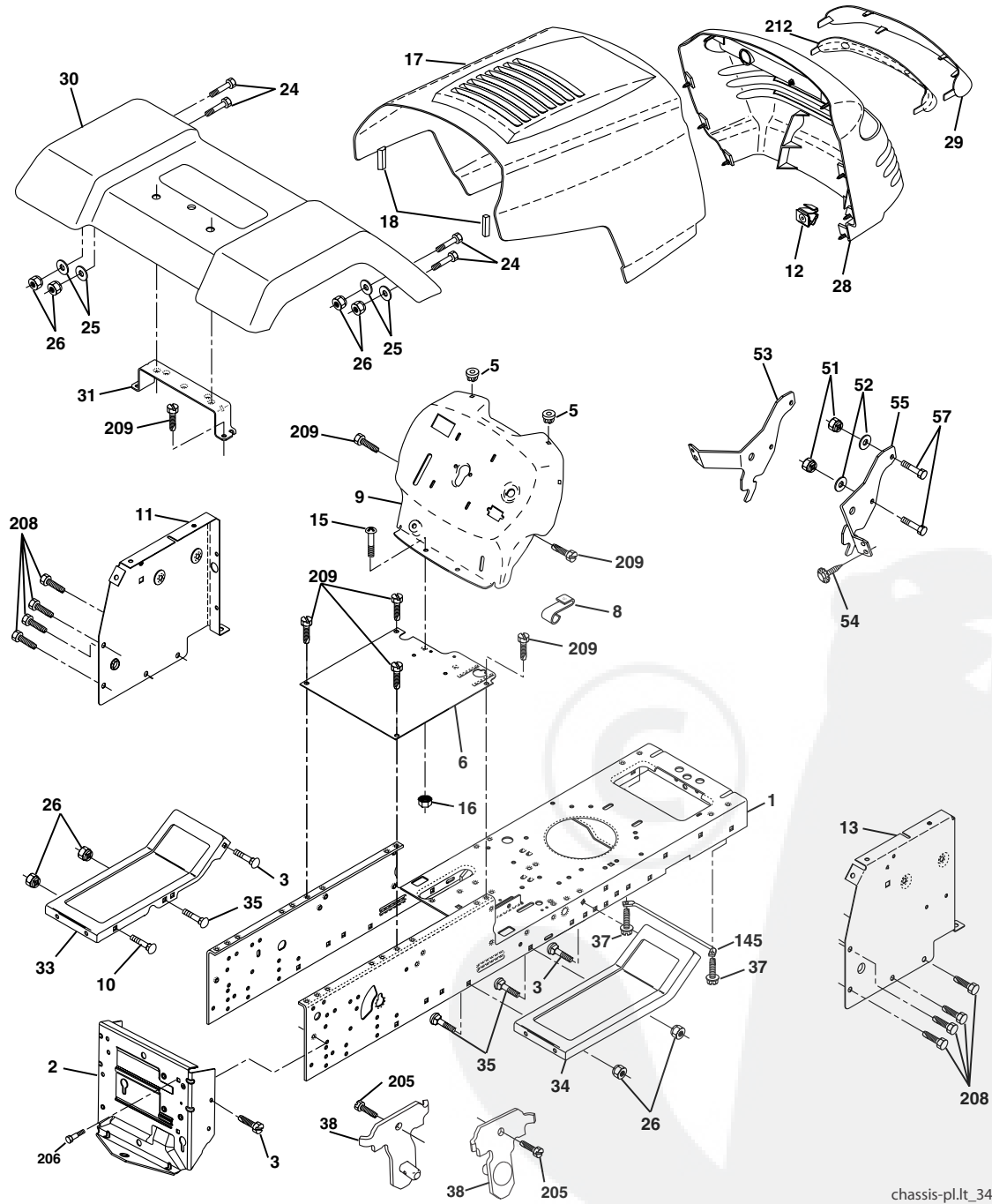
KEY NO.	PART NO.	DESCRIPTION
1	532 16 34-65	Battery 12 Volt 25 AMP
2	874 76 04-12	Bolt Hex Hd 1/4-20unc X 3/4
8	532 17 66-89	Box Battery
16	532 17 61-38	Switch Interlock Push-In
21	532 17 56-85	Harness Asm Light W/4152j
22	532 00 41-52	Bulb Light #1156
24	532 12 47-80	Cable Battery 6 Ga 11" red
25	532 14 61-47	Cable Battery 6 Ga 44" red w/16 wire
26	532 17 51-58	Fuse 20 AMP
27	873 51 04-00	Nut Keps Hex 1/4-20 Unc
28	532 12 47-73	Cable Ground 6 Ga 12" black
29	532 12 13-05	Switch Plunger Nc Gray
30	532 17 55-66	Switch Ign
33	532 14 04-01	Key Ign Molded Generic
40	532 17 97-20	Harness Ign.
41	871 11 04-08	Bolt Blk Fin Hex 1/4 - 20 x 1/2
42	532 13 15-63	Cover Terminal Red
43	532 17 88-61	Solenoid
48	532 14 08-44	Adapter Ammeter Rectangular
52	532 14 19-40	Protection Wire Loop
90	532 18 04-49	Cover Terminal Battery

NOTE: All component dimensions given in U.S. inches.
1 inch = 25.4 mm.



REPAIR PARTS

TRACTOR - - MODEL NO. WZ1292A, PRODUCT NO. 964 79 00-00 CHASSIS AND ENCLOSURES



chassis-pl.it_34

REPAIR PARTS

TRACTOR - - MODEL NO. WZ1292A, PRODUCT NO. 964 79 00-00 CHASSIS AND ENCLOSURES

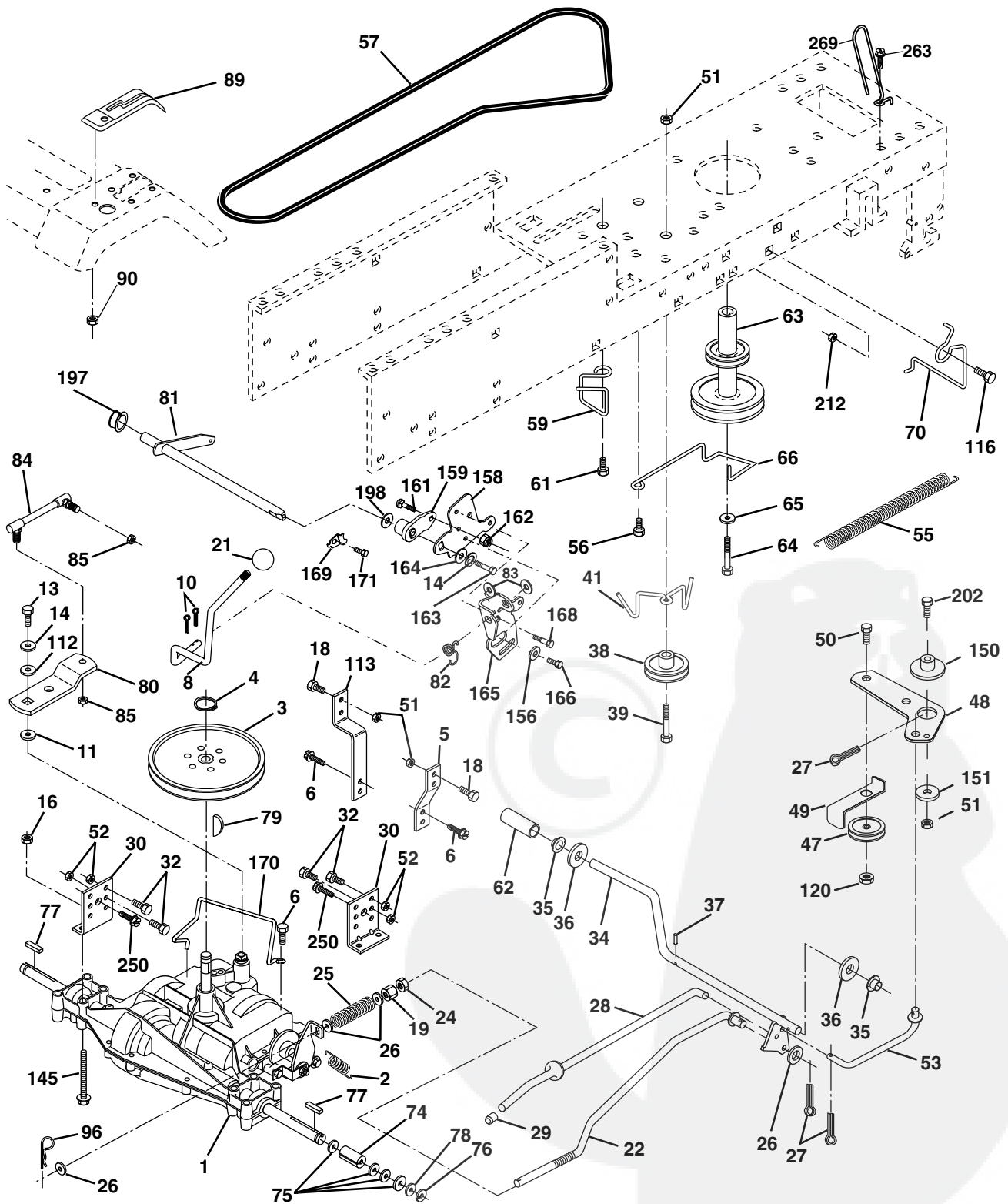
KEY NO.	PART NO.	DESCRIPTION
1	532 17 46-20	Chassis Stamping
2	532 17 65-54	Drawbar
3	817 06 06-12	Screw 3/8-16x3/4
5	532 15 52-72	Bumper Hood/Dash
6	532 18 44-19	Saddle
8	532 15 51-38	Clip Retainer
9	532 18 54-80	Dash P/L
10	872 14 06-08	Bolt Carriage 3/8-16 x 1
11	532 17 49-96	Panel Dash Lh
12	532 14 56-60	Clip Tinnerman
13	532 18 17-19	Panel Dash Rh
15	874 18 05-12	Screw Mach Trhd 5/16-18 Unc x 3/4
16	873 51 05-00	Nut Keps 5/16-18 Unc
17	532 16 35-57	Hood
18	532 18 49-21	Bumper Hood
24	874 78 06-16	Bolt Fin Hex 3/8-16 Unc x 1 Gr. 5
25	819 13 13-12	Washer 13/32 X 13/16 X 12 Ga
26	873 80 06-00	Nut Lock Hex W/Ins 3/8-16 Unc
28	532 17 91-01	Grille/Lens
29	532 16 81-54	Lens LT/PL
30	532 17 45-11	Fender Footrest STLT Pnt
31	532 13 66-19	Bracket Support Fender
33	532 18 11-93	Fender Lh
34	532 18 11-94	Footrest RH
35	872 11 06-06	Bolt Rdhd Sqnk 3/8-16 x 3/4
37	817 49 05-08	Screw Thdrol 6/16-18 x 1/2 TYT
38	532 17 57-10	Bracket, Asm. Pivot, Mower Rear
51	873 80 04-00	Nut Lock Hex W/Ins 1/4-20
52	819 09 14-16	Washer 9/32 x 7/8 x 16 Ga.
53	532 14 46-97	Bracket Grille LH
54	532 16 14-64	Screw Hex Wshd 8-18 x 7/8
55	532 14 46-96	Bracket Grille RH
57	874 78 04-12	Bolt Hex 1/4-20 x 3/4
145	532 15 65-24	Rod Pivot Chassis/Hood
205	817 49 06-08	Screw Thdrol 3/8-16 x 1/2
206	532 17 01-65	Bolt Shoulder 5/16-18 TT
208	817 67 06-08	Screw Thdrol 3/8-16 x 1/2
209	817 00 06-12	Screw Hexwsh Thdrol 3/8-16 x 3/4
212	532 15 62-29	Insert Lens Reflect
--	532 00 54-79	Plug Button

NOTE: All component dimensions given in U.S. inches
1 inch = 25.4 mm

REPAIR PARTS

TRACTOR - - MODEL NO. WZ1292A, PRODUCT NO. 964 79 00-00

DRIVE



REPAIR PARTS

TRACTOR - - MODEL NO. WZ1292A, PRODUCT NO. 964 79 00-00

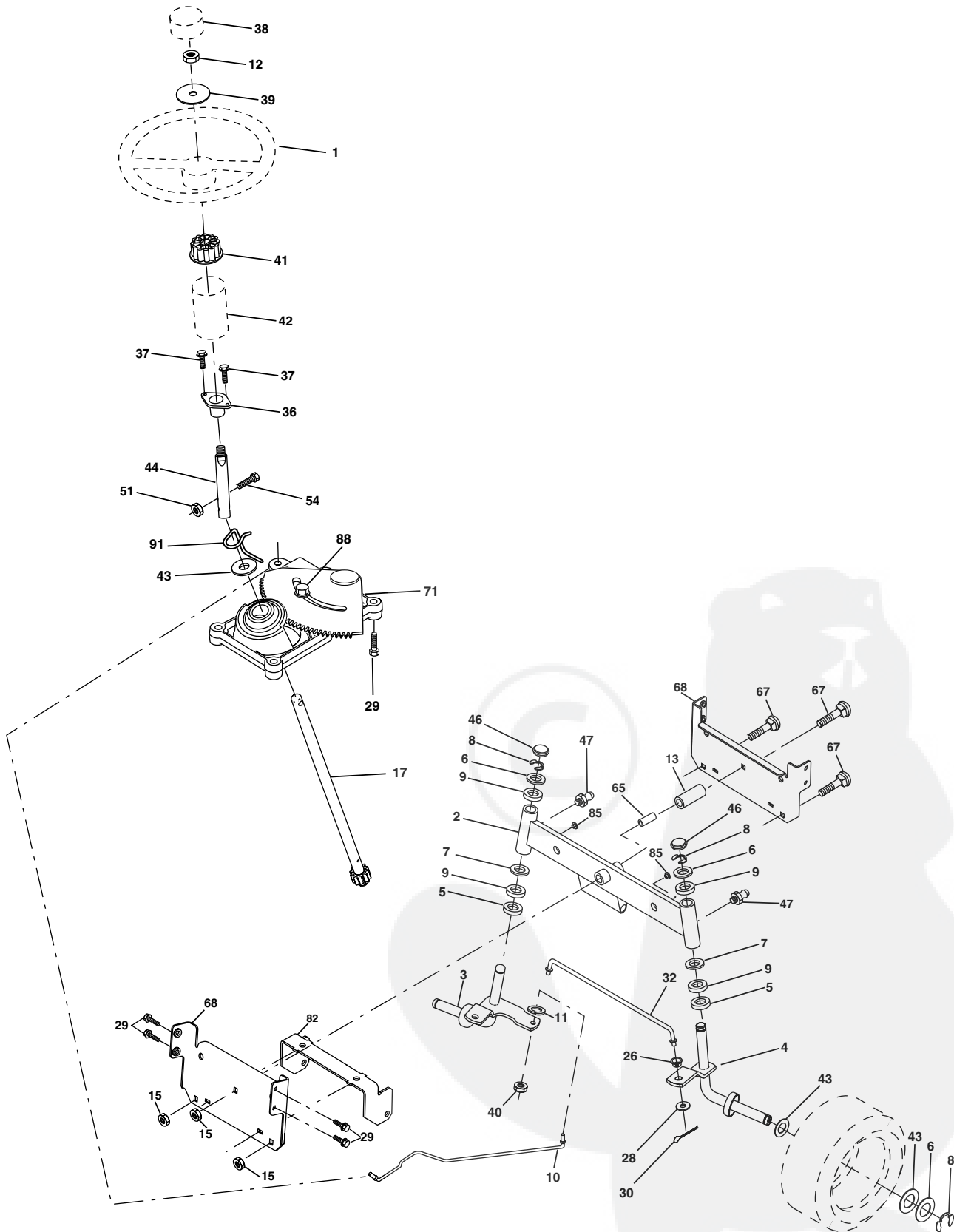
DRIVE

KEY PART NO.	NO.	DESCRIPTION	KEY PART NO.	NO.	DESCRIPTION
1	-----	Transaxle, Peerless 205-544C Order Parts From Transaxle Manufacturer	65	810 04 07-00	Washer Lock Hvy Hlcl Spr 7/16
2	532 14 66-82	Spring Return Brake T/a Zinc	66	532 15 47-78	Keeper Belt Engine
3	532 12 36-66	Pulley Transaxle 18" tires	70	532 18 02-18	Guide Belt Mower Drive RH
4	812 00 00-28	Ring Retainer # 5100-62	74	532 13 70-57	Spacer Axle
5	532 12 15-20	Strap Torque 30 Degrees	75	532 12 17-49	Washer 25/32 X 1 1/4 X 16 Ga
6	817 06 05-12	Screw Thdrol 5/16-18 X 3/4 TYT	76	812 00 00-01	E-ring
8	532 16 56-19	Rod Shifter	77	532 12 35-83	Key Square 2 0 X 1845/ 1865
10	876 02 04-16	Pin Cotter 1/8 X 1 Cad	78	532 12 17-48	Washer 25/32 X 1-5/8 X 16 Ga
11	532 10 57-01	Washer Plate Shf 388 Sq Hole	79	532 12 50-96	Key Woodruff #9 3/16 x 3/4
13	874 55 04-12	Bolt 1/4-28 Unf Gr 8 W/Patch	80	532 13 14-86	Arm Shift
14	810 04 04-00	Washer Lock Hvy Helical 1/4	81	532 16 55-94	Shaft
16	873 80 05-00	Nut, Lock	82	532 12 37-82	Spring Torsion T/a
18	874 78 06-16	Bolt, Fin Hex 3/8-16 x 1 Gr. 5	83	819 17 12-16	Washer 17/32 X 3/4 X 16 Ga
19	873 80 06-00	Nut Lock 3/8-16 Unc	84	532 16 62-28	Link, Transaxle
21	532 10 69-33	Knob	85	532 15 03-60	Nut Lock Center 1/4 - 28 FNTHD
22	532 13 08-04	Rod Brake Blk Zinc 26 840	89	532 17 37-74	Console Shift
24	873 35 06-00	Nut Hex Jam 3/8-16 Unc	90	532 12 43-46	Nut Self-thd Wsh-hd 1/4 Zinc
25	532 10 68-88	Spring Rod Brake 2 00 Zinc	96	532 12 47-88	Retainer Spring
26	819 13 13-16	Washer 13/32 X 13/16 X 16 Ga	112	819 09 12-10	Washer 9/32 x 3/4 x 10 Ga.
27	876 02 04-12	Pin Cotter 1/8 X 3/4 Cad	113	532 12 72-85	Strap Torque LT
28	532 17 5-765	Rod Brake Parking LT/YT	116	872 14 06-08	Bolt Rdhd Sq Neck 3/8-16 x 1.00
29	532 07 16-73	Cap Brake Parking Black	120	873 90 06-00	Nut Lock Flg. 3/8-16
30	532 17 49-73	Bracket Mtg Transaxle	145	874 49 05-40	Bolt Hex Flghd 5/16-18
32	874 76 05-12	Bolt Hex Hd 5/16-18unc X 3/4	150	532 17 54-56	Spacer Retainer Lt
34	532 17 55-78	Shaft Asm Pedal Foot	151	819 13 32-10	Washer 13/32 x 2 x 10 Ga.
35	532 12 01-83	Bearing Nylon Blk 629 Id	156	532 16 60-02	Washer Srrtd 5/16ID x 1 x .125
36	819 21 16-16	Washer 21/32 X 1 X 16 Ga	158	532 16 55-89	Bracket Shift Mount
37	532 12 49-63	Pin Roll 3/16 X 1"	159	532 18 39-00	Hub Shift
38	532 17 91-14	Pulley Idler Composite	161	872 14 04-06	Bolt Rdhd Sqnk 1/4-20 x 3/4 Gr 5
39	874 76 06-48	Bolt Fin Hex 3/8-16unc X 3	162	873 68 04-00	Nut Crownlock 1/4-20 Unc
41	532 17 55-56	Keeper Belt	163	874 78 04-16	Bolt Hex Fin 1/4-20 Unc x 1 Gr 5
47	532 12 77-83	Pulley Idler V Groove Plastic	164	819 09 10-10	Washer 5/8 x .281 x 10 Ga
48	532 15 44-07	Bellcrank Clutch Grnd Drv Stl	165	532 16 56-23	Bracket Pivot Lever
49	532 12 32-05	Retainer Belt Style Spring	166	532 16 68-80	Screw 5/16-18 x 5/8
50	872 11 06-12	Bolt 3/8-16 x 1-1/2 Gr. 5	168	532 16 54-92	Bolt Shoulder 5/16-18 x .561
51	873 68 06-00	Nut Crownlock 3/8-16 Unc	169	532 16 55-81	Plate Fastening Lt
52	873 68 05-00	Nut Crownlock 5/16-18 Unc	170	532 17 83-94	Keeper Belt TA
53	532 10 57-10	Link Clutch	171	817 49 06-08	Screw Thdrol 3/8-16 x 1/2 Ty-Tt
55	532 10 57-09	Spring Return Clutch 6 75	197	532 16 96-13	Nyliner, Snap-In
56	817 06 06-20	Screw 3/8-16 x 1-1/4	198	532 16 95-93	Washer, Nylon
57	532 13 08-01	V-Belt Ground Drive 95 25	202	872 11 06-14	Bolt, Carriage 3/8-16 Unc x 1-3/4 Gr 5
59	532 16 96-91	Keeper Belt Span Ctr	212	532 14 52-12	Nut Hex Flange Lock
61	817 12 06-14	Screw Thdrol 3/8-16 x .875	250	817 06 06-12	Screw 3/8-16 x .75
62	532 12 48-72	Cover Pedal Blk Round	263	817 00 06-12	Screw 3/8-16 x 3/4
63	532 18 02-19	Engine Pulley	269	532 18 24-02	Guard Muffler
64	871 17 07-64	Bolt Hex			

NOTE: All component dimensions given in U.S. inches
1 inch = 25.4 mm

REPAIR PARTS

TRACTOR - - MODEL NO. WZ1292A, PRODUCT NO. 964 79 00-00
STEERING ASSEMBLY



REPAIR PARTS

TRACTOR - - MODEL NO. WZ1292A, PRODUCT NO. 964 79 00-00 STEERING ASSEMBLY

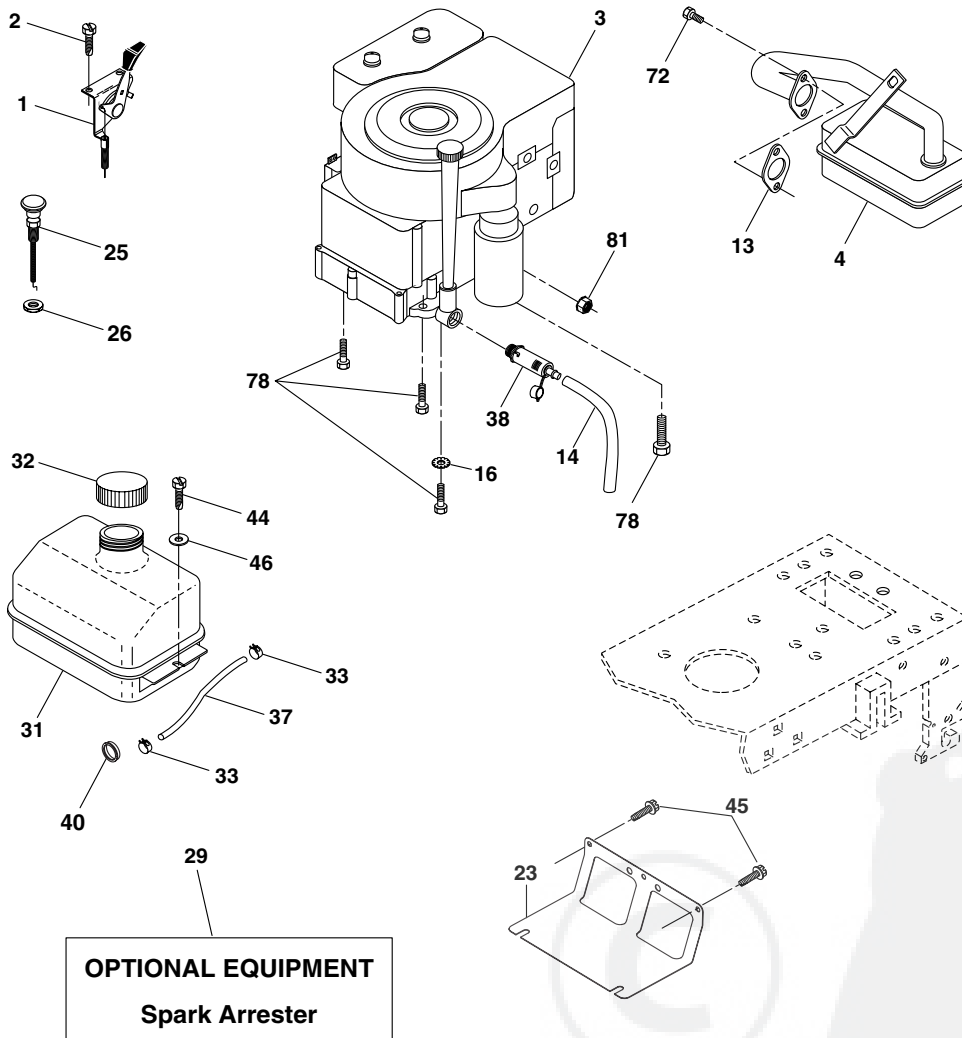
KEY NO.	PART NO.	DESCRIPTION
1	532 17 59-04	Wheel Steering
2	532 17 51-31	Axle Asm
3	532 16 98-40	Spindle Asm LH
4	532 16 98-39	Spindle Asm RH
5	532 12 49-31	Bearing Race Thrust Harden
6	532 12 17-48	Washer 25/32 X 1-5/8 X 16 Ga
7	819 27 20-16	Washer 27/32 X 1-1/4 X 16 Ga
8	812 00 00-29	Ring Klip #t5304-75
9	532 12 49-37	Bearing Col Strg Blk
10	532 17 51-21	Link Drag
11	810 04 06-00	Washer Lock Hvy Hlcl Spr 3/8
12	873 98 04-00	Nut Hex Jam Toplock 1/2-20 Unf
13	532 13 65-18	Spacer Brg Axle Front
15	532 14 52-12	Nut Hex Flange Lock
17	532 18 06-41	Shaft Asm Strg
26	532 12 68-47	Bushing Link Drag Blk LR
28	819 13 14-16	Washer 13/32 X 7/8 X 16 Ga
29	817 06 06-12	Screw 3/8-16x3/4
30	876 02 04-12	Pin Cotter 1/8 X 3/4 Cad
32	532 13 04-65	Rod Tie Wire Form 19 75 Mech
36	532 15 50-99	Bushing Strg
37	532 15 29-27	Screw
38	532 17 59-05	Cap Strg Wh
39	819 18 38-12	Washer 9/16 x 2-3/8
40	532 12 47-01	Lock nut
41	532 10 07-11	Adaptor Wheel Strg
42	532 16 96-33	Boot Steering Shaft
43	532 12 17-49	Washer 25/32 X 1-1/4 X 16 Ga
44	532 18 06-40	Extension Steering Shaft LR/LT
46	532 12 12-32	Cap Spindle Fr Top Blk
47	532 18 32-26	Fitting Grease
51	873 54 04-00	Nut Corwnlock 1/4-28
54	871 13 04-20	Bolt Hex 1/4-28unf x 1-1/4 Gr. 8
65	532 16 03-67	Spacer Brace Axle
67	872 14 06-18	Bolt, Rdhd Sqnk 3/8-16 x 2-1/2
68	532 16 98-27	Axle, Brace
71	532 17 51-46	Steering Asm.
82	532 16 98-35	Bracket Susp Chassis Front
85	532 13 38-35	Fastener Christmas Tree
88	532 17 51-18	Bolt Shoulder 7/16-20
91	532 17 55-53	Clip Steering

NOTE: All component dimensions given in U.S. inches.
1 inch = 25.4 mm.

REPAIR PARTS

TRACTOR - - MODEL NO. WZ1292A, PRODUCT NO. 964 79 00-00

ENGINE



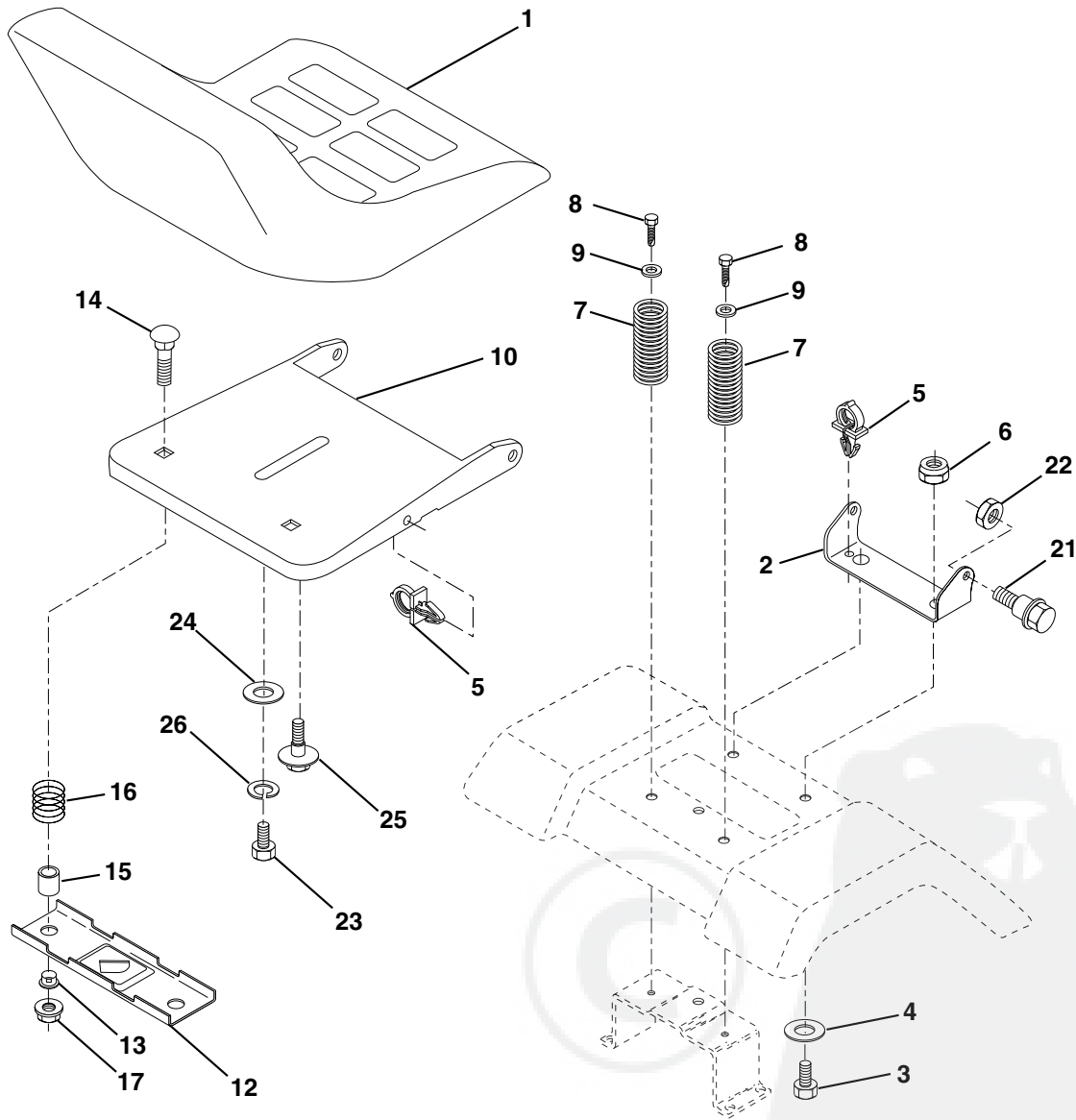
KEY NO.	PART NO.	DESCRIPTION
1	532 17 05-51	Control Th/ch Flag
2	817 72 04-08	Screw Hex Thd Cut 1/4-20 x 1/2
3	-----	Engine B&S Model No. 21A807 (Order Parts From Engine Manufacturer)
4	532 17 97-58	Muffler
13	532 16 52-91	Gasket Eng 1 313 Id Tin Plated
14	532 14 84-56	Tube Drain Oil Easy
16	811 05 06-00	Washer Lock Ext Tooth 3/8
23	532 16 98-37	Shield Brn/Dbr Guard
25	532 18 09-45	Control Choke
26	873 92 06-00	Nut Keps 3/8-24 Unf
29	532 13 71-80	Kit Spark Arrester (Flat Scrn)
31	532 18 49-00	Tank Fuel Front
32	532 14 05-27	Cap Asm Fuel W/sym Vented

KEY NO.	PART NO.	DESCRIPTION
33	532 12 34-87	Clamp Hose Black
37	532 13 70-40	Line Fuel 20"
38	532 18 16-54	Plug Drain Oil Easy
40	532 12 40-28	Bushing Snap Nyl Blk Fuel Line
44	817 67 04-12	Screw Hexwsh Thdrol 1/4-20x3/4
45	817 00 06-12	Screw Hex Wsh Thdrol 3/8-16 x 3/4
46	819 09 14-16	Washer 9/32 X 7/8 X 16 Ga
72	532 18 39-06	Screw Socket Head 5/16-18 x 1
78	817 06 06-20	Screw 3/8-16x1-1/4
81	873 51 04-00	Nut 1/4-20

NOTE: All component dimensions given in U.S. inches
1 inch = 25.4 mm

REPAIR PARTS

TRACTOR - - MODEL NO. WZ1292A, PRODUCT NO. 964 79 00-00
SEAT ASSEMBLY



KEY NO.	PART NO.	DESCRIPTION
1	532 12 74-26	Seat
2	532 14 05-51	Bracket Pivot Seat 8 720
3	871 11 06-16	Bolt Fin Hex 3/8-16unc X 1
4	819 13 16-10	Washer 13/32 X 1 X 10 Ga
5	532 14 50-06	Clip Push-In
6	873 80 06-00	Nut Hex w/Ins. 3/8-16 Unc
7	532 12 41-81	Spring Seat Cprsn 2 250 Blk Zi
8	817 00 06-16	Screw 3/8-16 X 1-1/2
9	819 13 16-14	Washer 13/32 X 1 X 14 Ga.
10	532 18 24-93	Pan Seat
12	532 12 12-46	Bracket Mounting Switch
13	532 12 12-48	Bushing Snap Blk Nyl 50 Id

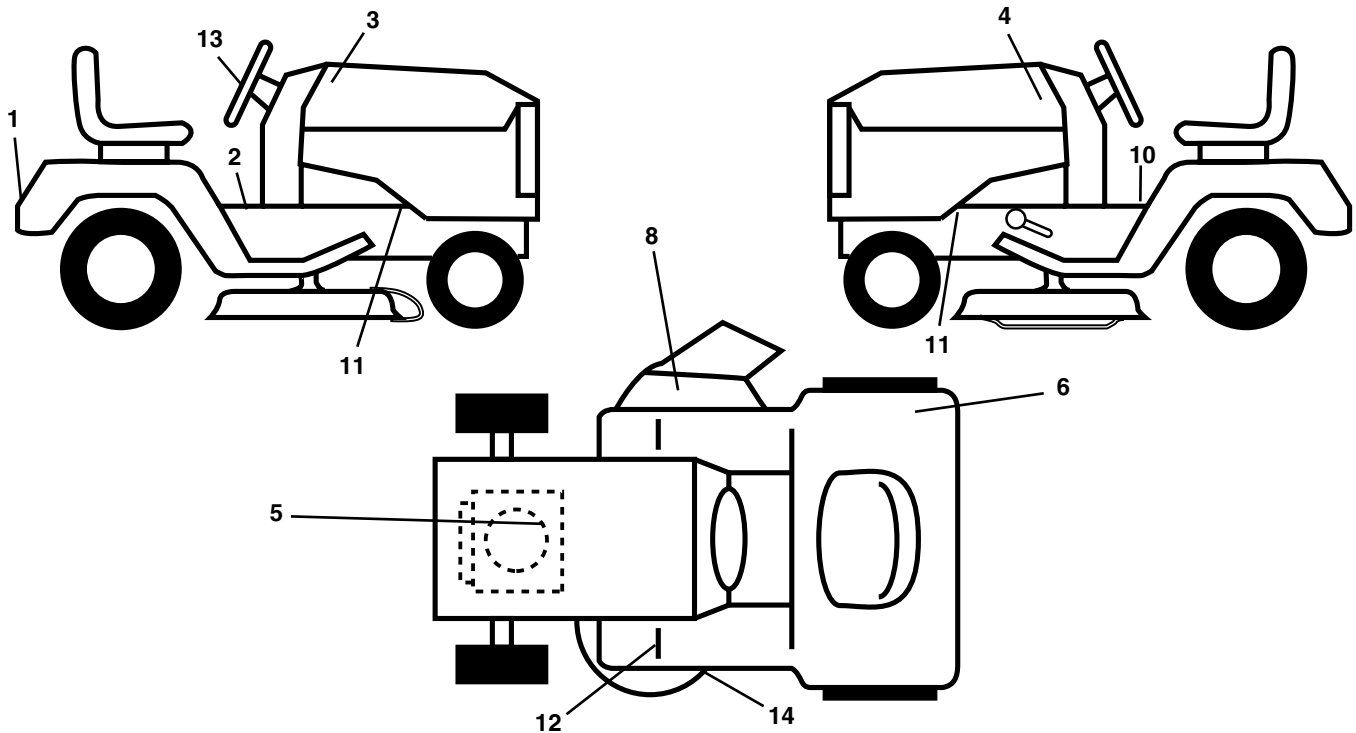
KEY NO.	PART NO.	DESCRIPTION
14	872 05 04-12	Bolt Rdhd Sqnk 1/4-20x1-1/2
15	532 13 43-00	Spacer Split 28x 96 Yel Zinc
16	532 12 12-50	Spring Cprsn 1 27 Blk Pnt
17	532 12 39-76	Nut Lock 1/4 Lge Flg Gr 5 Zinc
21	532 17 18-52	Bolt Shoulder 5/16-18 Unc
22	873 80 05-00	Nut Hex Lock W/Ins 5/16-18
23	871 11 08-14	Bolt Hex
24	819 17 19-12	Washer 17/32 X 1-3/16 X 12 Ga.
25	532 12 70-18	Bolt Shoulder 5/16-18 X 62
26	810 04 08-00	Washer Lock Hvy HLCL SPR 1/2

NOTE: All component dimensions given in U.S. inches.
1 inch = 25.4 mm

REPAIR PARTS

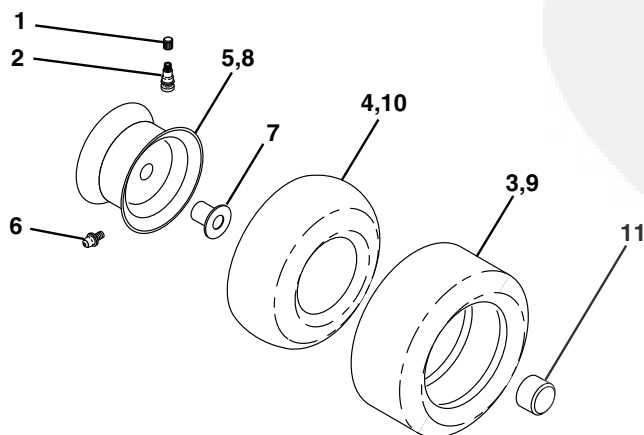
TRACTOR - - MODEL NO. WZ1292A, PRODUCT NO. 964 79 00-00

DECALS



KEY NO.	PART NO.	DESCRIPTION	KEY NO.	PART NO.	DESCRIPTION
1	532 17 21-75	Decal Fender	12	532 15 97-37	Decal Brake/ Clutch Symbol Lt
2	532 14 08-37	Decal Saddle Brake Parking	13	532 16 71-08	Decal Wheel Steering
3	532 17 60-04	Decal Hood RH	14	532 13 68-32	Decal V-Belt Schematic
4	532 17 60-05	Decal Hood LH	--	532 16 25-98	Decal Drawbar
5	532 18 48-54	Decal HP Engine	--	532 18 10-91	Pad Footrest LH
6	532 18 04-32	Decal 100 DB/CE	--	532 18 10-90	Pad Footrest RH
8	532 18 21-66	Decal Mower Cutting	--	532 13 83-11	Decal Handle Lift Height Adjust
10	532 14 54-98	Decal Read Owner's Manual Syms.	--	532 18 52-39	Manual Operator's (Euro)
11	532 15 97-36	Decal Chassis Hot Muffler	--	532 18 52-40	Manual Operator's (Scand)
			--	532 18 52-64	Manual Parts

WHEELS & TIRES

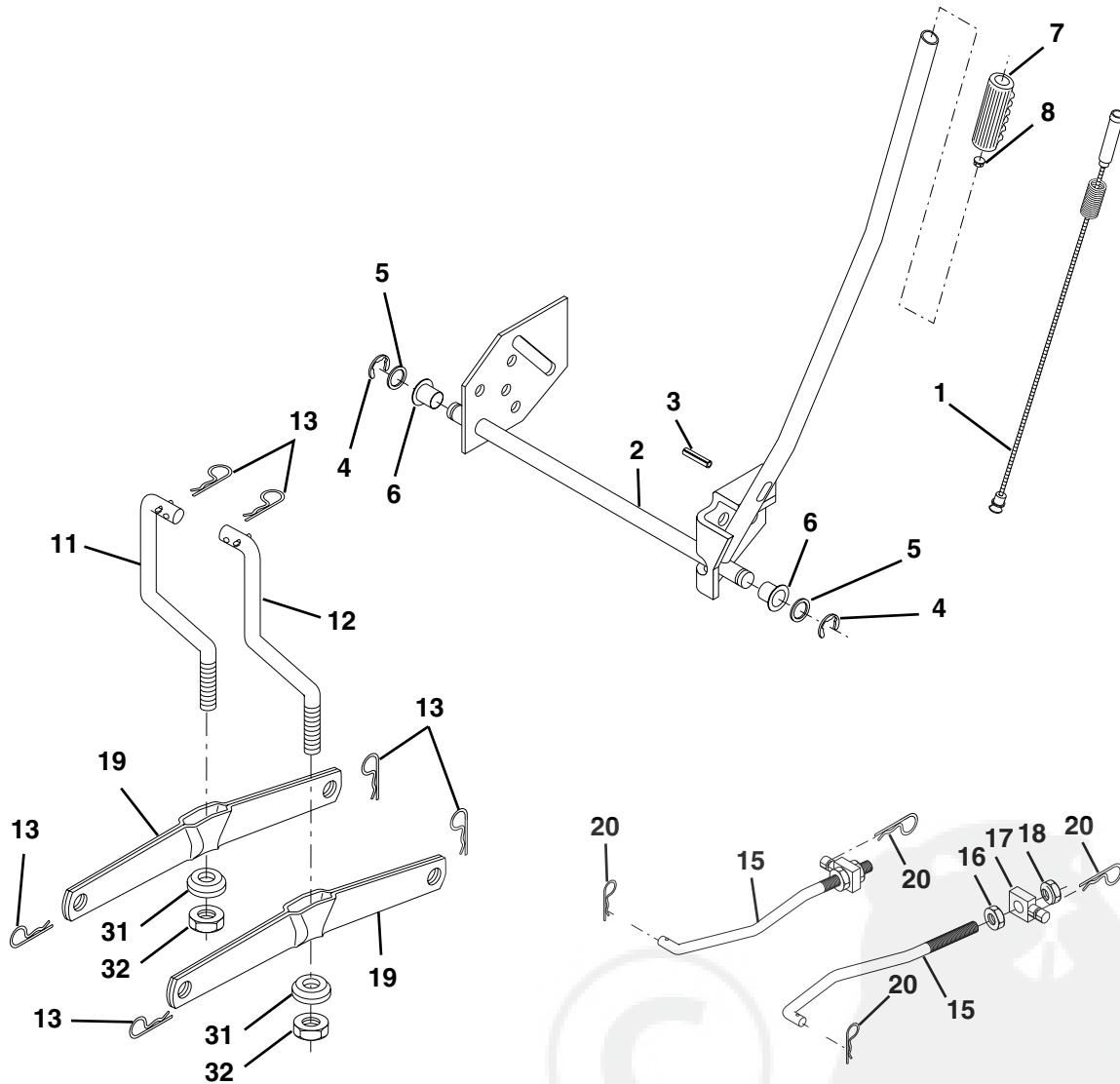


KEY NO.	PART NO.	DESCRIPTION
1	532 05 91-92	Cap Valve Tire
2	532 06 51-39	Stem Valve
3	532 10 62-22	Tire F Ts 15 X 6 0 - 6 Service
4	532 05 99-04	Tube Front (Service Item Only)
5	532 18 33-37	Rim Asm 6"front Service
6	532 12 49-57	Fitting Grease (Front Wheel Only)
7	532 12 49-59	Bearing Flange (Front Wheel Only)
8	532 18 33-38	Rim Asm 8"rear Service
9	532 12 46-35	Tire R Ts 18x9 5-8 C Service
10	532 12 49-26	Tube Rear (Service Item Only)
11	532 17 50-39	Cap Axle Blk 1 50 X 1 00
--	532 14 43-34	Sealant, Tire (10 oz. Tube)

NOTE: All component dimensions given in U.S. inches
1 inch = 25.4 mm

REPAIR PARTS

TRACTOR - - MODEL NO. WZ1292A, PRODUCT NO. 964 79 00-00
MOWER LIFT



KEY NO.	PART NO.	DESCRIPTION
1	532 15 94-60	Wire Asm Inner/Spring W/plunger
2	532 15 94-71	Shaft Asm Lift
3	532 10 57-67	Pin Groove
4	812 00 00-02	E Ring #5133-62
5	819 21 16-21	Washer PLTD 21/32 X 1 X 21ga
6	532 12 01-83	Bearing Nylon Blk 629 Id
7	532 10 94-13	Grip Handle
8	532 12 45-26	Button Plunger Black
11	532 13 98-65	Link Lift LH
12	532 13 98-66	Link Lift RH
13	532 12 46-70	Retainer Spring
15	532 17 32-88	Link Front
16	873 35 08-00	Nut Jam Hex 1/2-13 Unc
17	532 17 56-89	Trunnion
18	873 80 08-00	Nut Lock W/wsh 1/2-13unc
19	532 13 98-68	Arm Suspension Rear
20	532 16 35-52	Spring, Retainer
31	532 16 98-65	Bearing Pvt. Lift
32	873 54 06-00	Nut Crownlock 3/8-24

NOTE: All component dimensions given in U.S. inches
1 inch = 25.4 mm

REPAIR PARTS

TRACTOR - - MODEL NO. WZ1292A, PRODUCT NO. 964 79 00-00

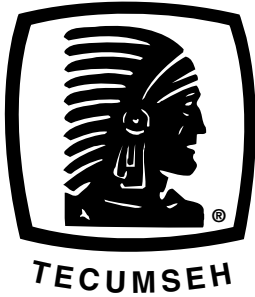
MOWER DECK

KEY NO.	PART NO.	DESCRIPTION	KEY NO.	PART NO.	DESCRIPTION
1	532 17 45-95	Mower Deck Assembly	56	532 16 57-23	Spacer, Retainer
2	872 14 05-06	Bolt	67	532 10 69-32	Knob RD 3/8-16 Plstc Thd
3	532 13 80-17	Bracket Assembly,Sway Bar	68	532 18 02-13	Belt
4	532 17 56-54	Bracket Sway Bar	89	819 13 16-12	Washer 13/32 x 1 x 12 Ga
5	532 12 46-70	Retainer Spring	107	532 13 35-02	Spacer, Retainer
6	532 17 80-24	Bar Sway Deck	108	532 13 35-03	Stiffener, Idler Arm
7	532 14 06-08	Keeper Belt	113	817 49 05-08	Screw Thdrol 5/16-18 x 1/2
8	532 85 08-57	Bolt, Hex 3/8-24 x 1.25 Gr. 8	122	532 17 45-05	Rod, Brake, LH
9	810 03 06-00	Washer, Lock Hvy Hlcl 3/8	123	532 17 45-04	Rod, Brake, RH
10	532 14 02-96	Washer, Hardened	146	532 16 58-91	Bolt Carriage Idler
11	532 13 84-96	Blade, Mower	148	532 16 90-22	Spring Return Idler
13	532 13 76-45	Shaft Assembly, Mandrel,	149	532 16 58-98	Retainer Spring Yellow Zinc
14	532 12 87-74	Housing, Mandrel, Vented	150	819 09 12-16	Washer 9/32 x 3/4 x 16 Ga.
15	532 11 04-85	Bearing, Ball, Mandrel	151	532 16 96-70	Bracket Clutch
16	532 17 44-93	Stripper, Mower Deck	152	532 17 60-79	Cable Clutch
19	532 13 28-27	Bolt, Shoulder	153	532 16 96-74	Washer Flat 3/8" Type B
21	873 68 05-00	Nut Crownlock 5/16-18	154	532 16 96-75	Spring Retainer
23	532 13 66-31	Bracket, Mower Deflector	155	532 16 96-71	Spring Retention Lever
24	532 10 53-04	Cap, Sleeve	156	532 16 96-72	Spacer
25	532 12 37-13	Spring, Torsion, Deflector	157	532 16 96-69	Rod Clutch
26	532 11 04-52	Nut, Push	158	817 72 04-08	Screw Hex Thd Cut 1/4-20 x 1/2
27	532 17 61-62	Shield, Deflector	164	532 17 49-76	Bracket Asm Idler Support
28	819 11 10-16	Washer 11/32 x 5/8 x 16 Ga.	168	532 17 23-77	Bracket Deck Cable
29	532 12 19-80	Rod, Hinge	169	532 17 49-77	Bracket Asm Suspension
30	532 17 39-84	Screw Thdrol	170	532 17 23-59	Bracket Suspension RF
31	532 12 99-63	Washer, Spacer	171	532 16 52-37	Bracket Support Susp. Frt
32	532 15 35-31	Pulley, Mandrel	172	532 17 23-55	Bracket Suspension LF
33	532 17 83-42	Nut, Toplock, Flanged	--	532 13 07-94	Mandrel Assembly (Includes Housing, Shaft and Shaft Hardware Only - Pulley Not Included)
34	872 11 06-14	Bolt Rdhd 3/8-16 x 1-3/4	--	532 18 13-76	Replacement Mower, Complete
36	532 13 14-94	Pulley, Idler, Flat			
40	873 68 06-00	Nut Crownlock 3/8-16			
45	532 12 47-88	Retainer, Spring			
53	532 13 08-40	Brake Assembly			
54	532 17 85-15	Washer, Hardened			
55	532 13 38-40	Idler Arm Assembly			

NOTE: All component dimensions given in U.S. inches
1 inch = 25.4 mm

SERVICE NOTES





SERVICE POLICY WARRANTY



Issued January 1980
Revised January 1991

LIMITED WARRANTIES FOR NEW PEERLESS GEAR POWER TRAIN COMPONENTS

A. Products Warranted

Peerless Gear and Machine Division of Tecumseh Products Company ("Tecumseh"), subject to the limitations contained below, will, at its option, repair or replace, without charge for parts or labor only, any part of a new Power Train Component (which as used herein means and includes the transaxle, gear box, transmission, differential and right angle drives, and any part of the Power Train Component), EXCEPT any new Power Train Component incorporated in equipment used for commercial or rental purposes, which is found upon examination by any Tecumseh Authorized Service Outlet or by Tecumseh's factory in Grafton, Wisconsin, to be DEFECTIVE IN MATERIAL AND/OR WORKMANSHIP if received by Tecumseh or a Tecumseh Authorized Service Outlet for such examination within TWO YEARS from the date of sale to the original consumer purchaser of Peerless Series 820, 900, 910, 915, 920, 930 transaxles and Series 1100 angle drive and ONE YEAR for all other Peerless products. New Power Train Components incorporated in equipment used for commercial purposes are warranted in the same manner and to the same extent EXCEPT such Power Train Components are warranted for NINETY (90) DAYS ONLY, and must be received by Tecumseh or by a Tecumseh Authorized Service Outlet for such examination within 90 days from the date of sale to the original purchaser. New Power Train Components Incorporated in equipment used for rental purposes are warranted in the same manner and to the same extent EXCEPT such Power Train Components are warranted for THIRTY (30) DAYS ONLY, and must be received by Tecumseh or a Tecumseh Authorized Service Outlet within 30 days from the date of sale to the original purchaser.

B. Products And Items Not Warranted

1. Alterations or Modifications of Power Train Components.
2. Accidents, Normal Maintenance, Failure to follow the Original Equipment Manufacturer's Manual.

This warranty covers only parts of new Power Train Components which are found upon examination to be defective in material or workmanship as delivered to the original purchaser. This warranty does not cover defects caused by depreciation or damage caused by normal wear, accidents, improper maintenance, improper use or abuse of the product, failure to follow the instructions contained in an Instruction Manual for the operation of the Power Train Component and parts. The cost of normal maintenance and replacement of service items which are not defective shall be paid for by the original purchaser.

C. Securing Warranty Service

Warranty service can be arranged for by contacting either a Tecumseh Authorized Service Outlet (any Tecumseh Registered Service Dealer, Tecumseh Authorized Service Distributor, or Tecumseh Central Warehouse Distributor) or by contacting Tecumseh, c/o Service Manager, Engine and Transmission Group Service Division, 900 North Street, Grafton, Wisconsin 53024. Warranty service can only be performed by a Tecumseh Authorized Service Outlet or by Tecumseh at its factory in Grafton, Wisconsin. At the time of requesting warranty service, evidence must be presented of the date of sale to the original purchaser. The purchaser shall pay any charges for making service calls and/or for transporting the product to and from the place where the inspection and/or warranty work is performed. The purchaser shall be responsible for any damage or loss incurred in connection with the transportation of Power Train Components and/or part(s) of the Power Train Components submitted for inspection and/or warranty work.

D. Limitation of Damages and Implied Warranties

The foregoing EXPRESSED WARRANTY IS IN LIEU OF ALL OTHER EXPRESS WARRANTIES. Neither Tecumseh nor any of its affiliates makes any warranties, representations or promises, written or oral, as to the quality of the Power Train Component or any of its parts, other than as set forth herein.

ANY IMPLIED WARRANTY OF MERCHANTABILITY OR FITNESS FOR A PARTICULAR PURPOSE, TO THE EXTENT THAT EITHER MAY APPLY TO ANY PART(S) OF POWER TRAIN COMPONENTS, SHALL BE LIMITED IN DURATION TO THE PERIODS OF THE EXPRESSED WARRANTIES DEFINED IN PARAGRAPH A HEREOF. IN NO EVENT WILL TECUMSEH BE LIABLE FOR ANY INCIDENTAL, CONSEQUENTIAL OR SPECIAL DAMAGES AND/OR EXPENSES. Some states do not allow limitations on how long an implied warranty lasts or the exclusion or limitation of incidental or consequential damages, so the above limitation(s) or exclusion(s) may not apply to you. This warranty gives you specific legal rights and you may also have other legal rights which vary from state to state.

E. No Dealer Warranty

Tecumseh neither assumes nor authorizes any other person, natural or corporate, to assume for Tecumseh any other obligations or liabilities in connection with or with respect to any part(s) of a Power Train Component. The seller or dealer of part(s) of a Power Train Component has no authority, whatsoever, to make any representations or promises on behalf of Tecumseh or to modify the terms or limitations of Tecumseh's warranty in any way.

LIMITED WARRANTY

The Manufacturer warrants to the original consumer purchaser that this product as manufactured is free from defects in materials and workmanship. For a period of one (1) year from date of purchase by the original consumer purchaser, we will repair or replace, at our option, without charge for parts or labor incurred in replacing parts, any part which we find to be defective due to materials or workmanship. This Warranty is subject to the following limitations and exclusions.

1. This warranty does not apply to the engine. Please contact your nearest dealer where they will send the machine to the engine manufacturer.
2. Transportation charges for the movement of any power equipment unit or attachment are the responsibility of the purchaser. Transportation charges for any parts submitted for replacement under this warranty must be paid by the purchaser unless such return is requested by your dealer.
3. Battery Warranty: On products equipped with a Battery, we will replace, without charge to you, any battery which we find to be defective in manufacture, during the first ninety (90) days of ownership. After ninety (90) days, we will exchange the Battery, charging you 1/12 of the price of a new Battery for each full month from the date of the original sale. Battery must be maintained in accordance with the instructions furnished.
4. The Warranty period for any products used for rental or commercial purposes is limited to 90 days from the date of original purchase.
5. This Warranty applies only to products which have been properly assembled, adjusted, operated, and maintained in accordance with the instructions furnished. This Warranty does not apply to any product which has been subjected to alteration, misuse, abuse, improper assembly or installation, delivery damage, or to normal wear of the product.
6. Exclusions: Excluded from this Warranty are belts, blades, blade adapters, normal wear, normal adjustments, standard hardware and normal maintenance.
7. In case of any problem within the boundaries of this warranty, contact the nearest department store, indicate the model number, serial number and the date of purchase of your machine. This warranty does not apply to accidental damages. All implicit warranties are limited to the same time frames. Or contact:

E.M. Services
54 Rue Lambrechts
92400 Courbevoie
France
Telephone: (1) 46678078
Fax: (1) 46678095

THIS WARRANTY DOES NOT APPLY TO INCIDENTAL OR CONSEQUENTIAL DAMAGES. ANY IMPLIED WARRANTIES ARE LIMITED TO THE SAME TIME PERIODS STATED HEREIN.

WIZARD
00273