



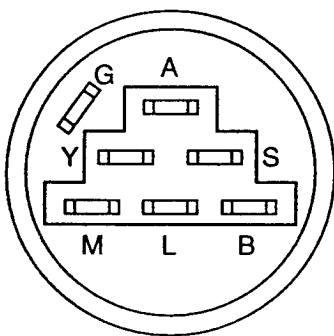
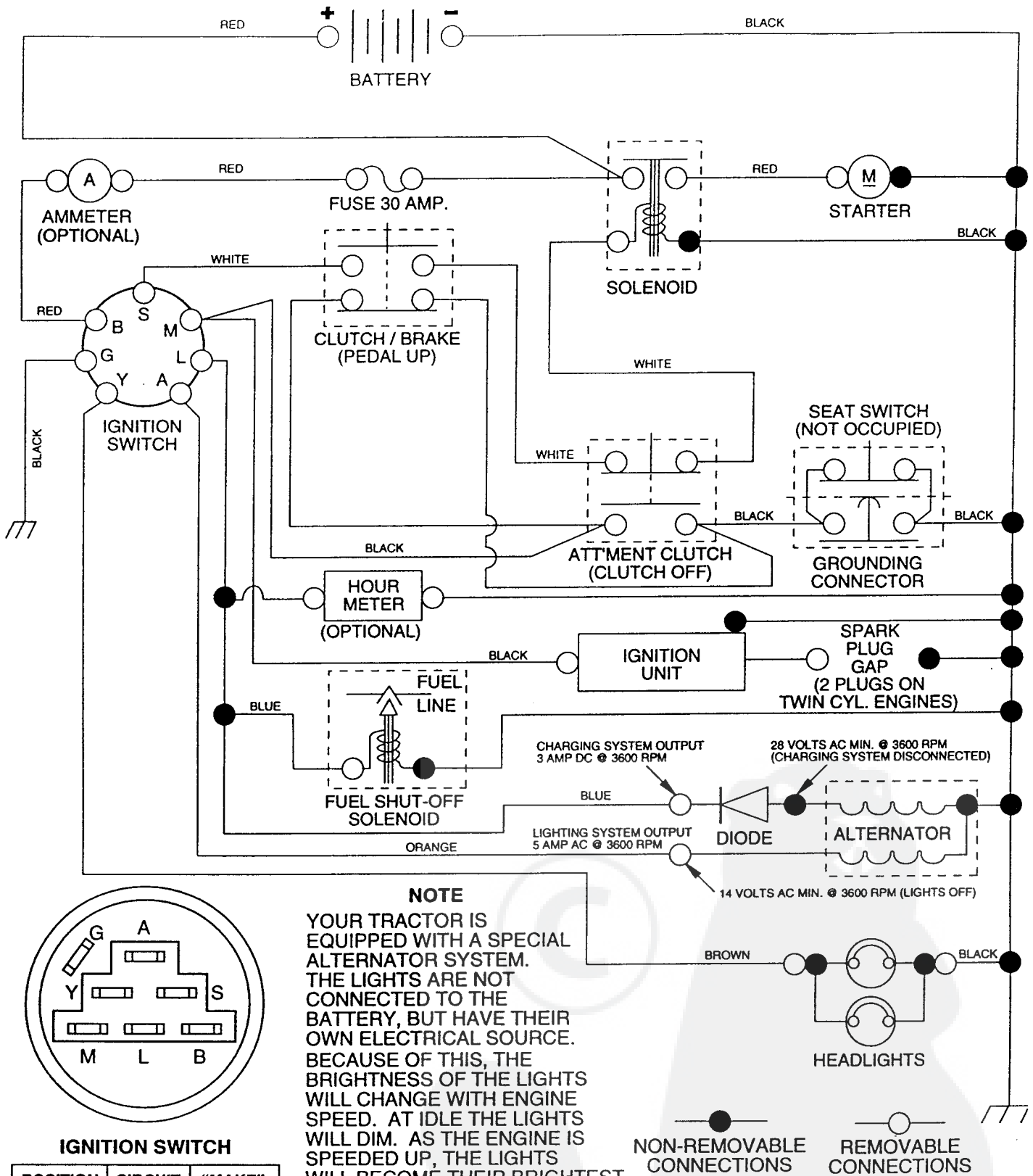
**ASSEMBLY/REPAIR  
PARTS MANUAL  
MODEL NO. WZ145H42A  
Lawn Tractor**

---

**WIZARD**

# TRACTOR - - MODEL NUMBER WZ145H42A

## SCHEMATIC



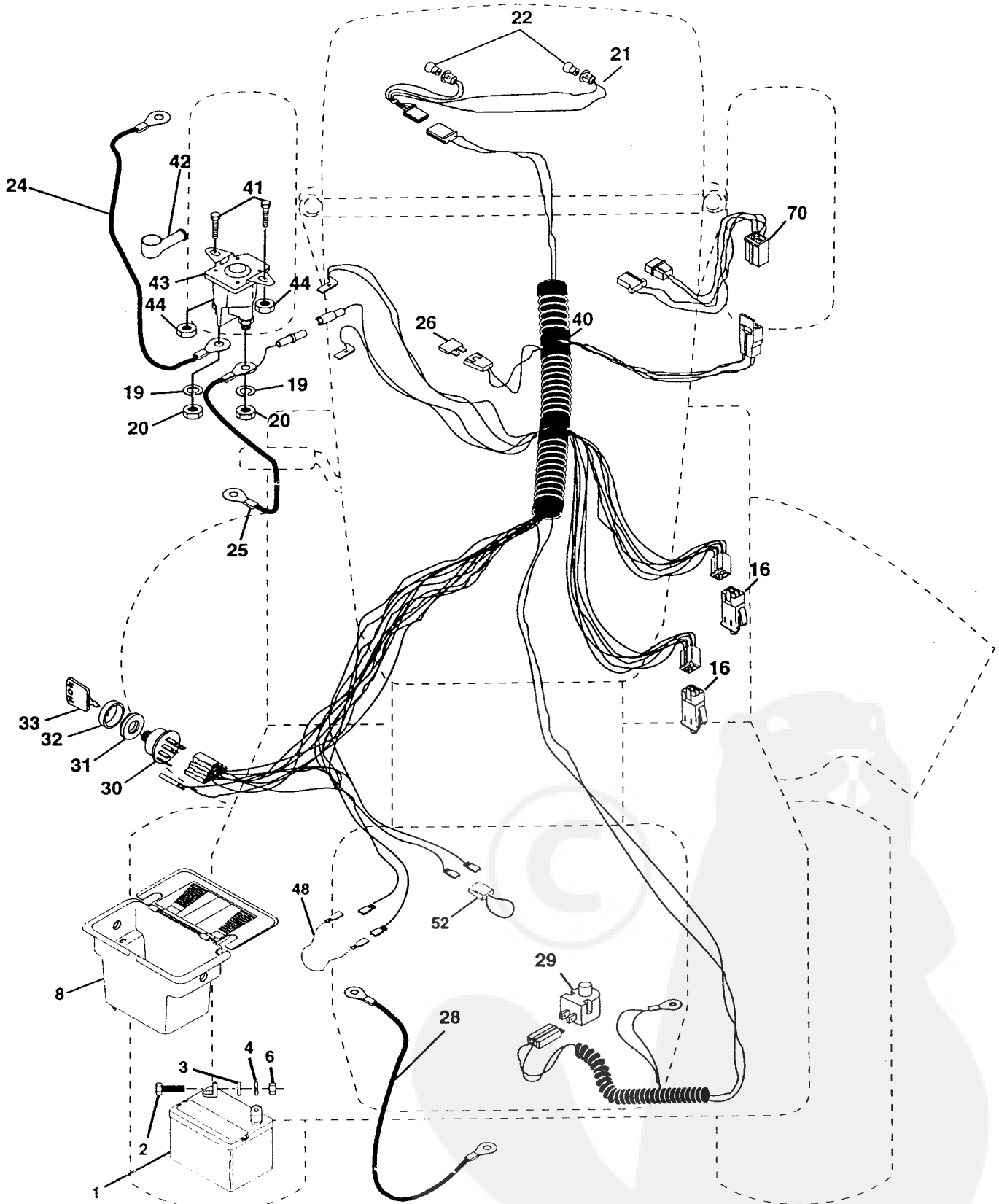
**IGNITION SWITCH**

POSITION	CIRCUIT	"MAKE"
OFF	G + M + L	NONE
RUN/LIGHT	B + L	A + Y
RUN	B + L	NONE
START	B + L + S	NONE

# REPAIR PARTS

TRACTOR -- MODEL NUMBER WZ145H42A

## ELECTRICAL



# REPAIR PARTS

## TRACTOR - - MODEL NUMBER WZ145H42A

### ELECTRICAL

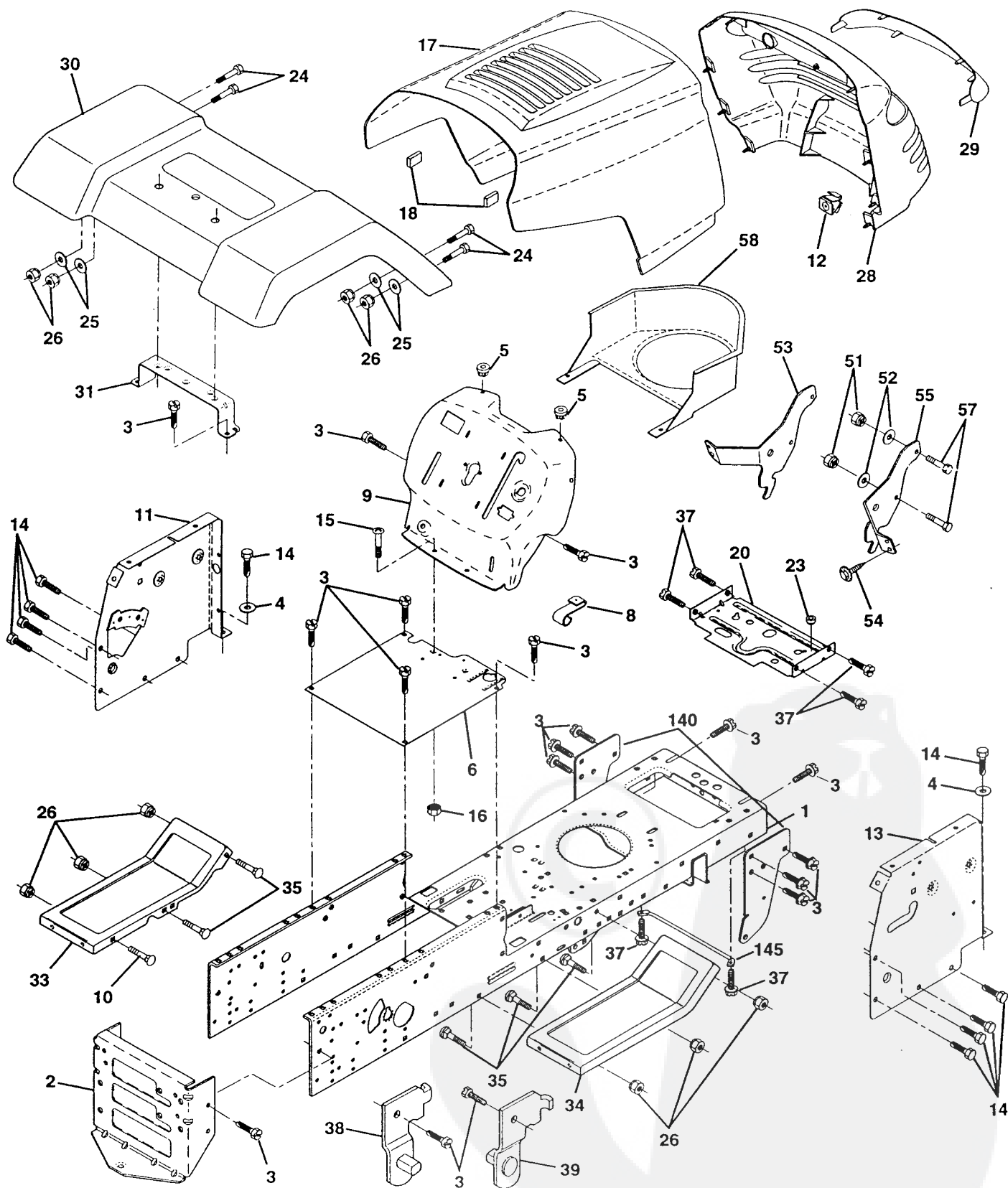
KEY NO.	PART NO.	DESCRIPTION
1	144925	Battery 12 Volt 25 AMP
2	74760412	Bolt Hex Hd 1/4-20unc X 3/4
3	19091016	Washer 9/32 x 5/8 x 16 Ga.
4	10040400	Washer Lock Hvy Helical 1/4
6	73220400	Nut Fin Hex 1/4-20 Unc
8	156417	Case Battery
16	153664	Switch Interlock Push-In
19	10090400	Washer Lock 1/4
20	73350400	Nut Jam Hex 1/4-20 Unc
21	136850	Harness Asm Light W/4152j
22	4152J	Bulb Light #1156
24	4799J	Cable Battery 6 Ga 11" red
25	146147	Cable Battery 6 Ga 44" red
26	108824X	Fuse 30 AMP Auto Green
28	4207J	Cable Ground 6 Ga 12" black
29	121305X	Switch Plunger Nc Gray
30	140301	Switch Ign 4 pos w/lights
31	124211X	Nut Ignition
32	141226	Cover Sw Ignition
33	122147X	Key Ign Modleded Generic
40	156442	Harness Ignition LT PL Mech
41	71110408	Bolt Blk Fin Hex 1/4 - 20 x 1/2
42	131563	Cover Terminal Red
43	145673	Solenoid
44	73640400	Nut Keps Hex 1/4-20 Unc
48	140844	Adapter Ammeter
52	141940	Protection Wire Loop
70	140422	Harness, Eng.

**NOTE:** All component dimensions give in U.S. inches  
1 inch = 25.4 mm.

# REPAIR PARTS

TRACTOR -- MODEL NUMBER WZ145H42A

## CHASSIS AND ENCLOSURES



# REPAIR PARTS

## TRACTOR - - MODEL NUMBER WZ145H42A

### CHASSIS AND ENCLOSURES

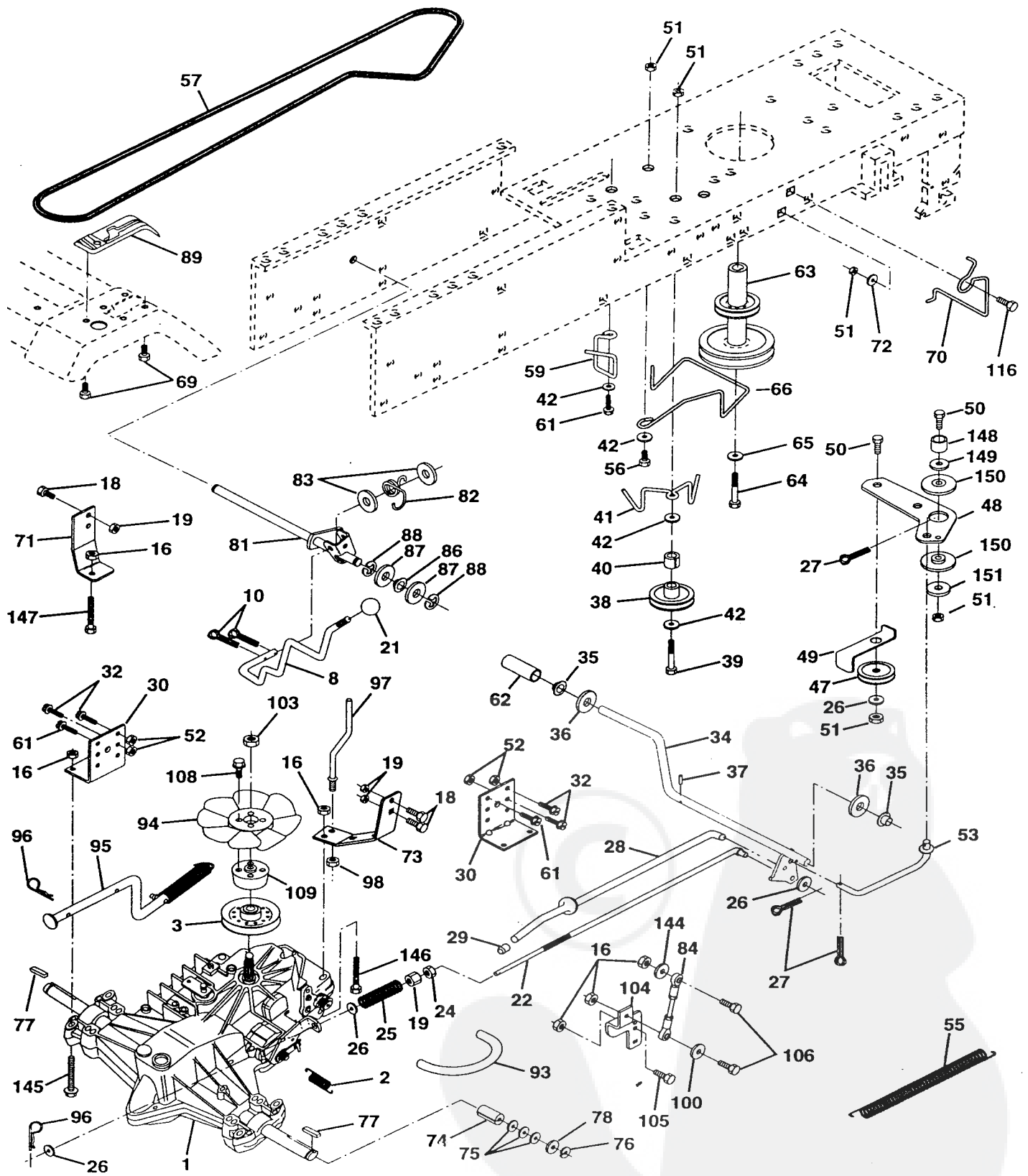
KEY NO.	PART NO.	DESCRIPTION
1	160393	Chassis LT Stamping 98
2	140356	Drawbar, Stretch 94
3	17490612	Screw, Thdrol. 3/8-16 x 3/4 Ty-TT
4	19131216	Washer 13/32 x 3/4 x 16 Gauge
5	155272	Bumper Hood/Dash
6	155923	Saddle LT Fender Shift
8	155138	Clip Retainer Slide-On
9	161937X011	Dash P/L
10	72140608	Bolt, Rdhd Sqnk 3/8-16 x 1
11	155927	Panel Asm.Dash LH
12	145660	Clip Tinnerman Grille P/L
13	155934X010	Dash, Panel RH
14	17490608	Screw Thdrol 3/8-16 x 1/2 Ty-tt
15	74180512	Screw Mach.Trhd 5/16-18 UNC x 3/4
16	73510500	Nut Keps 5/16-18 UNC
17	159639X505	Hood Pnt Stl PL
18	126938X	Bumper Hood
20	156437	Plate Mtg. Battery Fuel Tank
23	124028X	Bushing Snap Nyl Blk Fuel Line
24	74780616	Bolt, Hex , Fin. 3/8-16UNC x 1 Gr. 5
25	19131312	Washer 13/32 x 13/16 x12 Gauge
26	73800600	Nut Lock Hex w/Ins. 3/8-16 Unc
28	157373	Grille
29	140273	Lens Grille
30	157583X505	Fender Pnt
31	136619	Bracket Fender
33	145244X505	Footrest Pnt., LH
34	145243X505	Footrest Pnt., RH
35	72110606	Bolt Rdhd Sht. Sqnk 3/8-16 X 3/4
37	17490508	Screw Thdrol 5/16-18 x 1/2 Tyt
38	139886	Bracket Asm. Pvt. LH Mower Rear
39	139887	Bracket Asm. Pvt. RH Mower Rear
51	73800400	Nut Lock Hex W/Ins 1/4-20
52	19091416	Washer 9/32 x 7/8 x 16 Ga.
53	144697	Bracket, Grille LH
54	161464	Screw Hex WSHD 8-18 x 7/8
55	144696	Bracket Grille RH
57	74780412	Bolt Fin Hex 1/4-20 x 3/4
58	150127	Air Duct Engine P/L
140	158418	Bracket Suspension Front
145	156524	Rod Pivot Chassis/Hood
--	5479J	Plug Btn Blk .359 Dia Ch/Inf

**NOTE:** All component dimensions given in U.S. inches  
1 inch = 25.4 mm

# REPAIR PARTS

TRACTOR -- MODEL NUMBER WZ145H42A

## DRIVE





# REPAIR PARTS

## TRACTOR - - MODEL NUMBER WZ145H42A

### DRIVE

KEY NO.	PART NO.	DESCRIPTION	KEY NO.	PART NO.	DESCRIPTION
1	140607	Transmission, Asm.	66	161488	Keeper, Belt Engine Hydro
2	142431	Spring, Return, Brake	69	142432	Screw
3	144698	Pulley, Transmission	70	134683	Guide, Belt, Mower Drive RH
8	141003	Rod, Shift	71	141417	Strap, Torque, Lh
10	76020416	Pin, Cotter 1/8 x 1	72	19132012	Washer 13/32 x 1-1/4 x 12 Ga.
16	73800500	Nut, Lock Hex w/Ins 5/16-18 UNC	73	141418	Strap, Torque, Rh
18	74780616	Bolt Hex 3/8-16 UNC x 1 Gr.5	74	121199X	Spacer, Split
19	73800600	Nut, Lock Hex w/Wsh 3/8-16 UNC	75	121749X	Washer 25/32 x 1-1/4 x 16 Ga.
21	106933X	Knob Rd. 1/2-13 Plstc. Thds. Blk.	76	12000001	Ring, E
22	145627	Rod, Brake	77	123583X	Key, Square
24	73350600	Nut	78	121748X	Washer 25/32 x 1-5/8 x 16 Ga.
25	106888X	Spring, Rod, Brake	81	161081	Asm, Shaft
26	19131316	Washer 13/32 x 13/16 x 16 Ga.	82	123782X	Spring, Torsion
27	76020412	Pin, Cotter 1/8 x 3/4	83	19171216	Washer 17/32 x 3/4 x 16 Ga.
28	145204	Rod, Parking Brake	84	141423	Rod, Tie
29	71673	Cap, Parking Brake	86	157480	Bushing
30	130807	Bracket, Transmission	87	19212016	Washer 21/32 x 1-1/4 x 16 Ga.
32	74760512	Bolt Hex 5/16-18 UNC x 3/4	88	12000008	Ring, Clip
34	155071	Shaft, Foot Pedal	89	151147	Console, Shift
35	120183X	Bearing, Nylon	93	142564	Line Fuel
36	19211616	Washer	94	140462	Fan 7"
37	1572H	Pin, Roll	95	144643	Control Asm Bypass Hydro
38	123674X	Pulley, Idler, Flat	96	4497H	Spring, Retainer 1"
39	74760644	Bolt	97	144201	Keeper, Belt Rh
40	4470J	Spacer, Split	98	73510600	Nut Keps 3/8-16 UNC
41	154777	Keeper, Belt, Idler	100	19111216	Washer 11/32 x 3/4 x 16 Ga.
42	19131312	Washer 13/32 x 13/16 x 12 Ga.	103	73940800	Nut, Hex Jam Toplock 1/2-20 UNF
47	127783	Pulley, Idler, V-Belt	104	141421	Arm, Control Pump 500 Hydro
48	154407	Bellcrank Clutch Grnd Drustl	105	71070516	Bolt, Head Hex 5/16 x 18 x 1
49	123205X	Retainer, Belt	106	74780520	Bolt H 5/16-18 UNC x 1-1/4
50	74760624	Bolt	108	17541026	Screw Hex Wh Hd #10-24 x 1-5/8
51	73680600	Nut	109	145098	Adaptor Fan Hydro Lt Hyd Alum
52	73680500	Nut Crownlock 5/16-28	116	72110610	Bolt Rdhd Sq Neck 3/8-16 x 1-1/4
53	105710X	Link, Clutch	144	19111016	Washer 11/32 x 5/8 x 16
55	105709X	Spring, Return, Clutch	145	74490540	Belt Hex Flghd 5/16-18 x Gr. 5
56	74760620	Bolt, Hex 3/8-16 UNC x 1-1/4	146	74780536	Bolt Hex 5/16-18 x 2-1/4
57	161850	V-Belt, Drive	147	74780524	Bolt Hex 5/16-18 UNC x 1-1/2
59	140312	Keeper, Belt, Center	148	159103	Spacer
61	17490612	Screw, Thdrol 3/8-16 x 3/4 Type TT	149	122052X	Spacer Retainer
62	8883R	Cover, Pedal	150	150935	Bushing Nylon Collered
63	161399	Pulley, Engine	151	19133210	Washer 13/32 x 2 x 10
64	71170764	Bolt Hex 7/16 x 4 Gr. 5			
65	10040700	Washer			

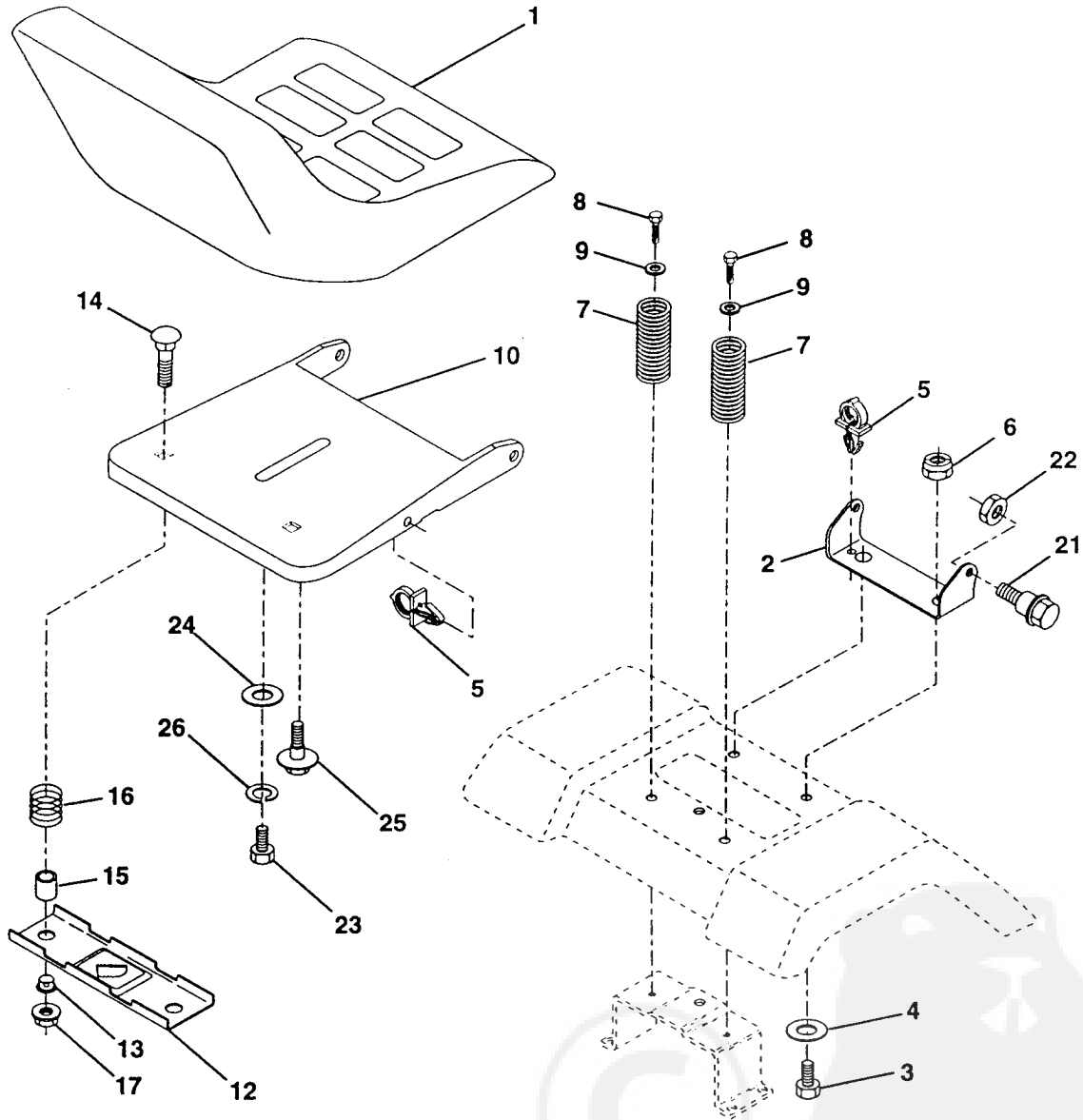
NOTE: All component dimensions given in U.S. inches  
1 inch = 25.4 mm



# REPAIR PARTS

## TRACTOR -- MODEL NUMBER WZ145H42A

### SEAT



KEY NO.	PART NO.	DESCRIPTION
1	127428	Seat
2	140551	Bracket, Pivot, Seat
3	74760616	Bolt
4	19131610	Washer 13/32 x 1 x 10 Ga.
5	145006	Clip, Push-in
6	73800600	Nut
7	124181X	Spring, Seat
8	17490616	Screw, Thdrol 3/8-16 x 1
9	19131614	Washer 13/32 x 1 x 14 Ga.
10	155925	Par, Seat
12	121246X	Bracket, Mounting, Switch, Seat
13	121248X	Bushing, Nylon

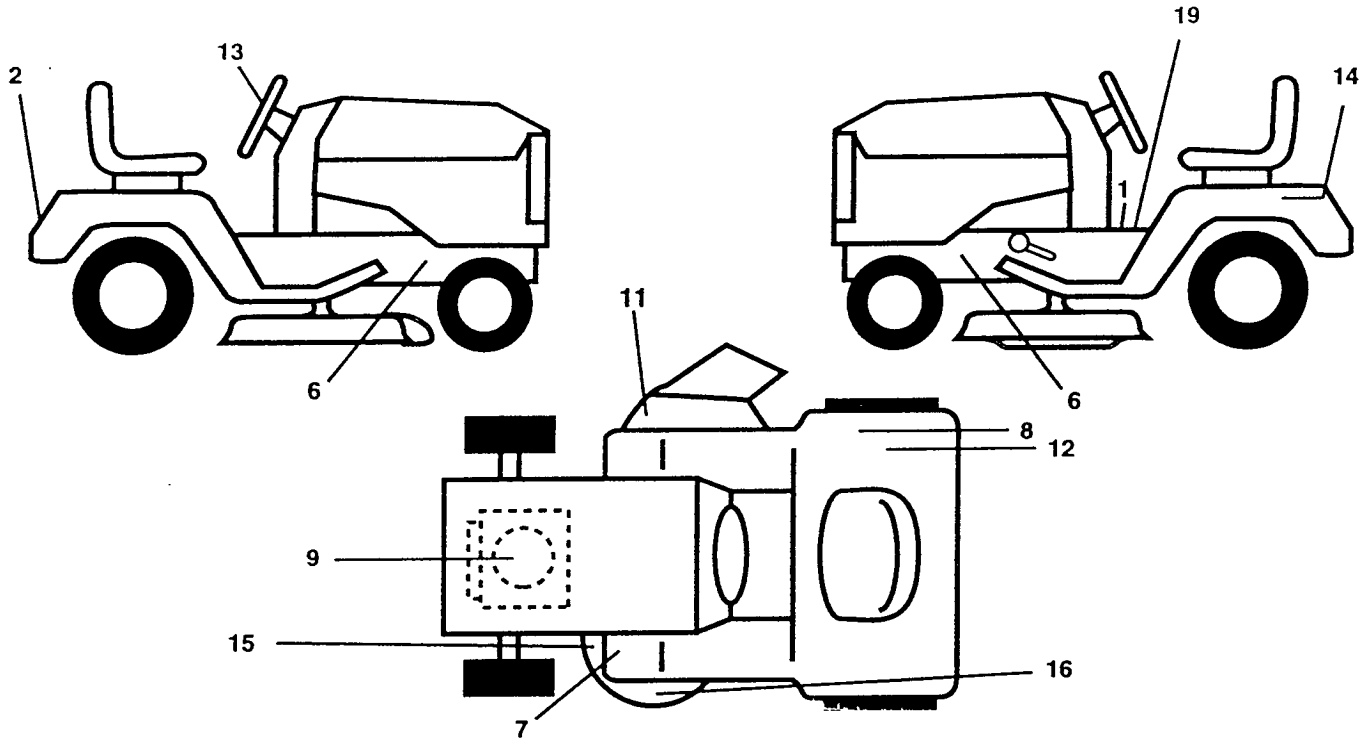
KEY NO.	PART NO.	DESCRIPTION
14	72050412	Nut, Crownlock 1/4-20 x 1-3/8
15	134300	Spacer, Split
16	121250X	Spring
17	123976X	Nut, Lock, Flange 1/4 Gr. 5
21	153236	Bolt, Shoulder 5/16-18 UNC
22	73800500	Nut
23	74780814	Bolt Fin Hex 1/2 - 13 x 7/8 Gr. 5
24	19171912	Washer 17/32 x 1-3/16 x 12 Ga.
25	127018X	Bolt Shoulder 5/16-18 x .62
26	10040800	Washer Lock Hvy Hclc Spr 1/2

**NOTE:** All component dimensions given in U.S. inches  
1 inch = 25.4 mm

# REPAIR PARTS

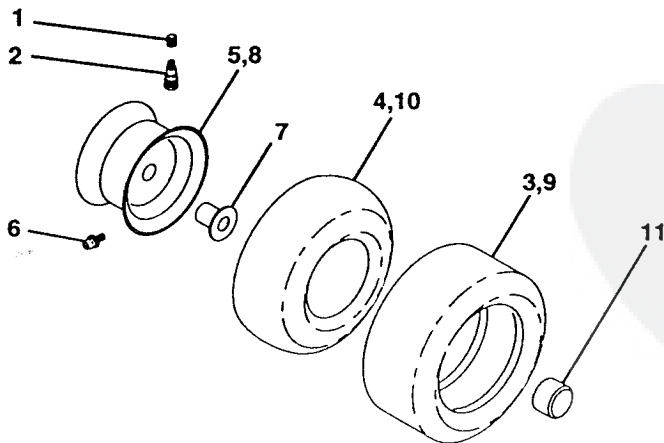
## TRACTOR - - MODEL NUMBER WZ145H42A

### DECALS



KEY NO.	PART NO.	DESCRIPTION	KEY NO.	PART NO.	DESCRIPTION
1	145498	Decal, Instruction, Operation	14	145005	Decal, Btry Dngr/Psn P/L Sym
2	163769	Decal, Fender Logo	15	160396	Decal, V-Belt
3	163834	Decal, Hood Rh	19	140837	Decal, Parking Brake
4	163835	Decal, Hood Lh	--	138311	Decal, Handle, Lift, Height Adjust (Lift Handle)
6	159736	Decal, Chassis Hot Muffler	--	162598	Decal, Drawbar Load Limit
7	159737	Decal, Brake/Clutch Symbol LT	--	133671	Pad Footrest
8	145437	Decal, Europe Stand CE	--	142341	Decal, Drawerbar Cntrl Mut
9	272991	Decal, HP Engine	--	163525	Manual, Operators (Euro)
11	145494	Decal, Mower Cutfinger Symbol	--	163526	Manual, Repair Parts
12	125690X	Decal 100 DBA			
13	163770	Decal, Wheel Steering			

### TIRES AND WHEELS



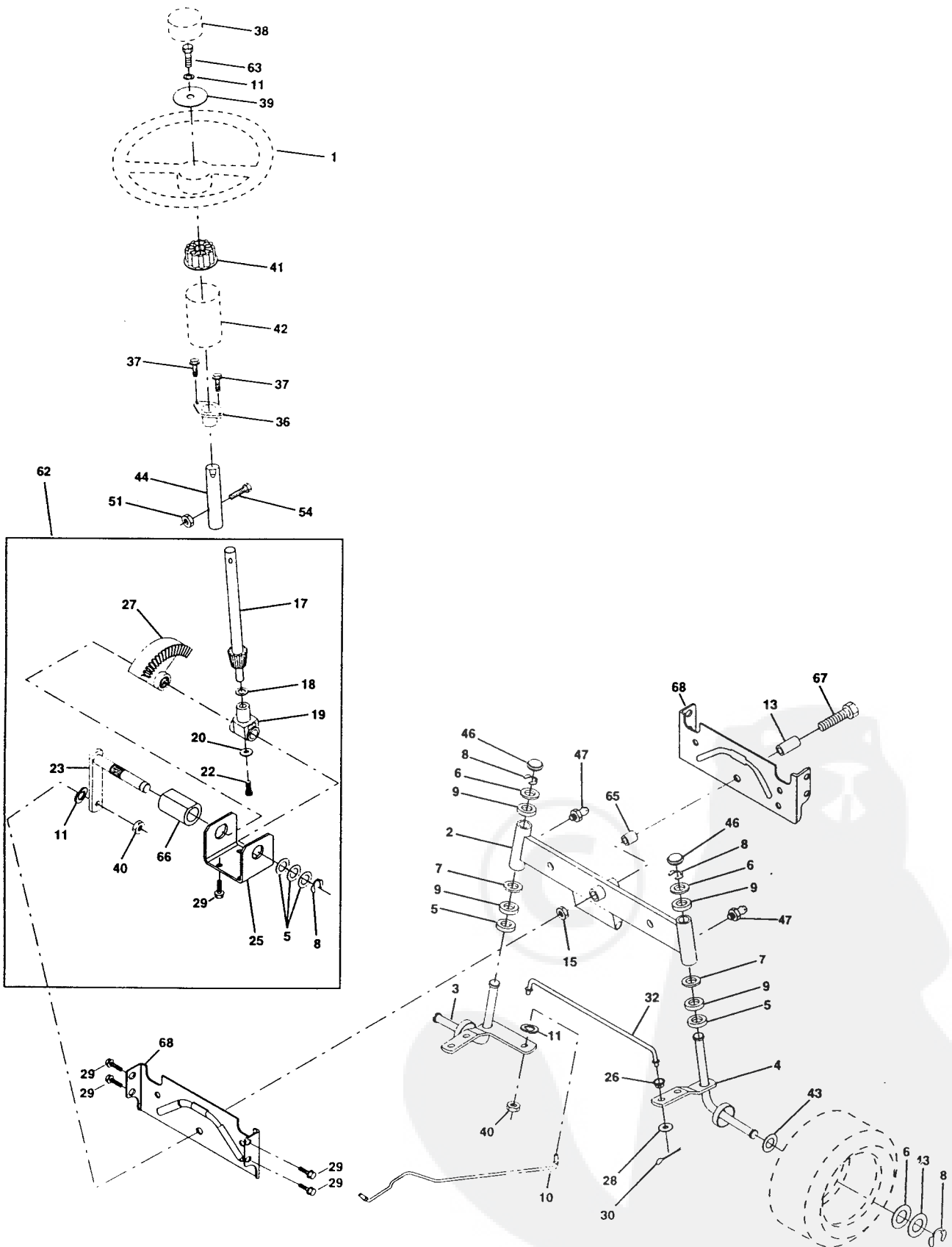
KEY NO.	PART NO.	DESCRIPTION
1	59192	Cap, Valve
2	65139	Stem, Valve
3	106222X	Tire Front
4	59904	Tube, Front (not furnished)
5	106732X427	Rim, Asm. Front
6	278H	Grease Fitting (rear tire only)
7	9040H	Bearing, Flange (front tire only)
8	106108X427	Rim, Asm. Rear
9	106268X	Tire, Rear TS. 18 x 9.5 - 9 C. Service
10	7152J	Tube, Rear (not furnished)
11	104757X	Cap, Axle
--	144334	Sealant, Tire (10 oz. Tube)

NOTE: All component dimensions given in U.S. inches  
1 inch = 25.4 mm

# REPAIR PARTS

TRACTOR -- MODEL NUMBER WZ145H42A

## STEERING WHEEL



# REPAIR PARTS

## TRACTOR - - MODEL NUMBER WZ145H42A

### STEERING WHEEL

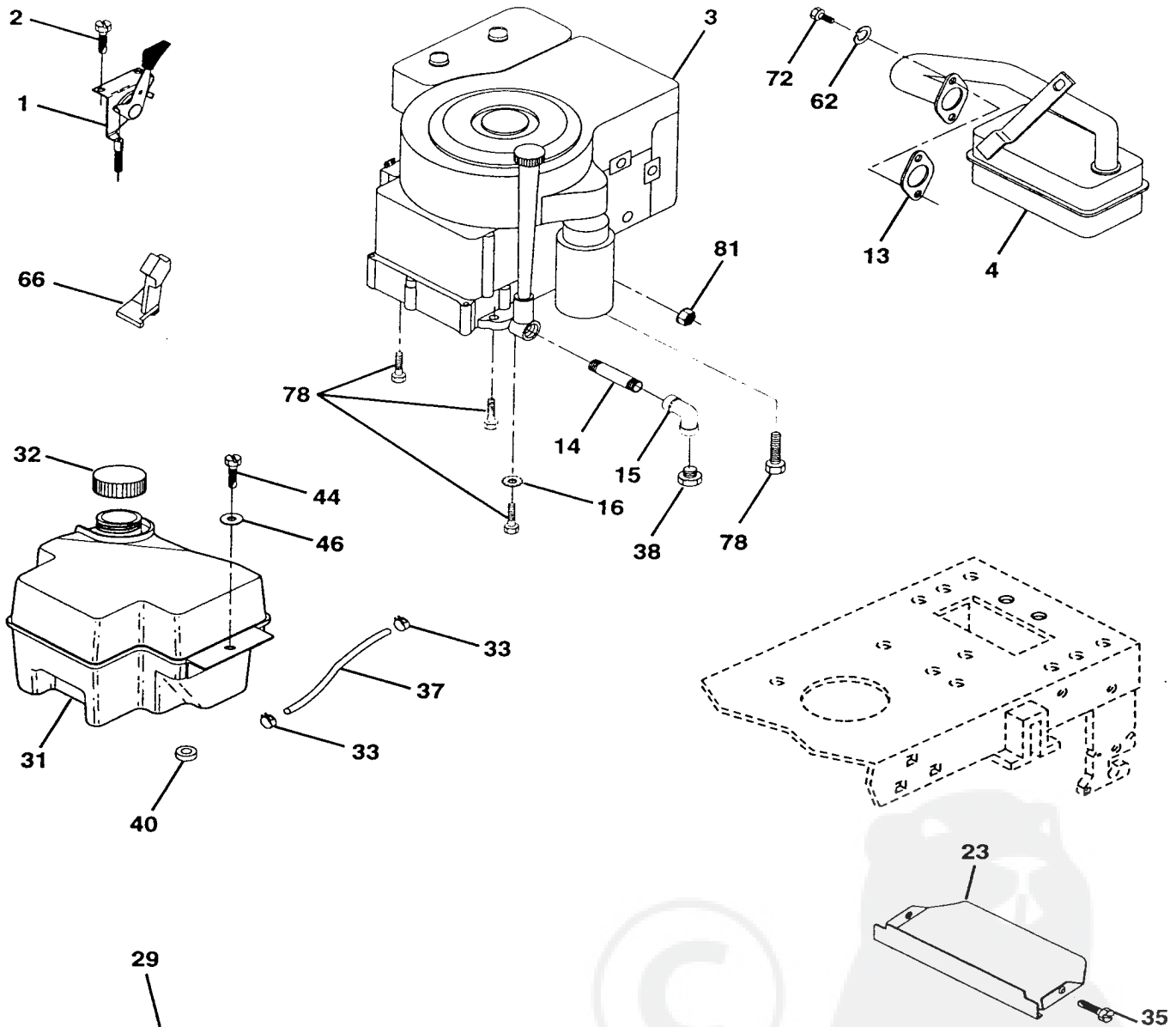
KEY NO.	PART NO.	DESCRIPTION
1	133741	Wheel Steering
2	154427	Axle Asm Front
3	156483	Spindle Asm LH
4	157473	Spindle Asm RH
5	6266H	Bearing, Race, Thrust Hardened
6	121748X	Washer 25/32 X 1-5/8 X 16 Ga
7	19272016	Washer 27/32 X 1-1/4 X 16 Ga
8	12000029	Ring Klip
9	3366R	Bearing
10	156438	Link Drag
11	10040600	Washer Lock Hvy Hlcl Spr 3/8
13	154779	Bearing Axle Stl/Gt
15	73901000	Locknut, Hex, Jam, w/Washer Insert 5/8-11 Unc
17	156546	Steering, Assembly Shaft
18	57079	Washer Thrust 515x 750x 033
19	124035X	Support Shaft
20	126684X	Washer Shim 1/4 X 5/8 X .062
22	71200410	Screw Hex Socket 1/4-20 x 5/8
23	127501	Shaft Asm Pittman
25	154406	Bracket Steering
26	126847X	Bushing Link Drag Blk Lr
27	136874	Gear Sector
28	19131416	Washer 13/32 x 7/8 x 16 Ga.
29	17490612	Screw Thdrol. 3/8-16x3/4 Ty-tt
30	76020412	Pin Cotter 1/8 x 3/4 CAD
32	130465	Rod Connecting
36	155099	Bushing Steering
37	152927	Screw TT #10-32 X 5 x 3/8 Flange
38	133742	Cap Wheel Steering
39	19133808	Washer 13/32 x 2-3/8 x 8 Ga
40	7810H	Nut Lock Center 3/8-24 Unf
41	100711L	Adapter Wheel Strg
42	154054	Boot Shaft Steering
43	121749X	Washer 25/32 X 1 1/4 X 16 Ga
44	153720	Extension Steering
46	121232X	Cap Spindle
47	6855M	Fitting Grease
51	73800500	Nut Lock Hex W/Ins. 5/16-18 Unc P
54	74780520	Bolt Fin Hex 5/16-18 Unc 6 x 1-1/4
62	156594	Kit Steering Asm. Service
63	74780616	Bolt Fin Hex 3/8-16unc x 1 Gr. 5
65	154780	Spacer Axle
66	154404	Bearing Arm Pittman
67	74781044	Bolt Fin Hex 5/8-11 UNC x 2-3/4
68	154429	Brsce Axle

**NOTE:** All component dimensions given in U.S. inches  
1 inch = 25.4 mm

# REPAIR PARTS

TRACTOR - - MODEL NUMBER WZ145H42A

## ENGINE



**OPTIONAL EQUIPMENT**  
**Spark Arrester**

# REPAIR PARTS

## TRACTOR - - MODEL NUMBER WZ145H42A

### ENGINE

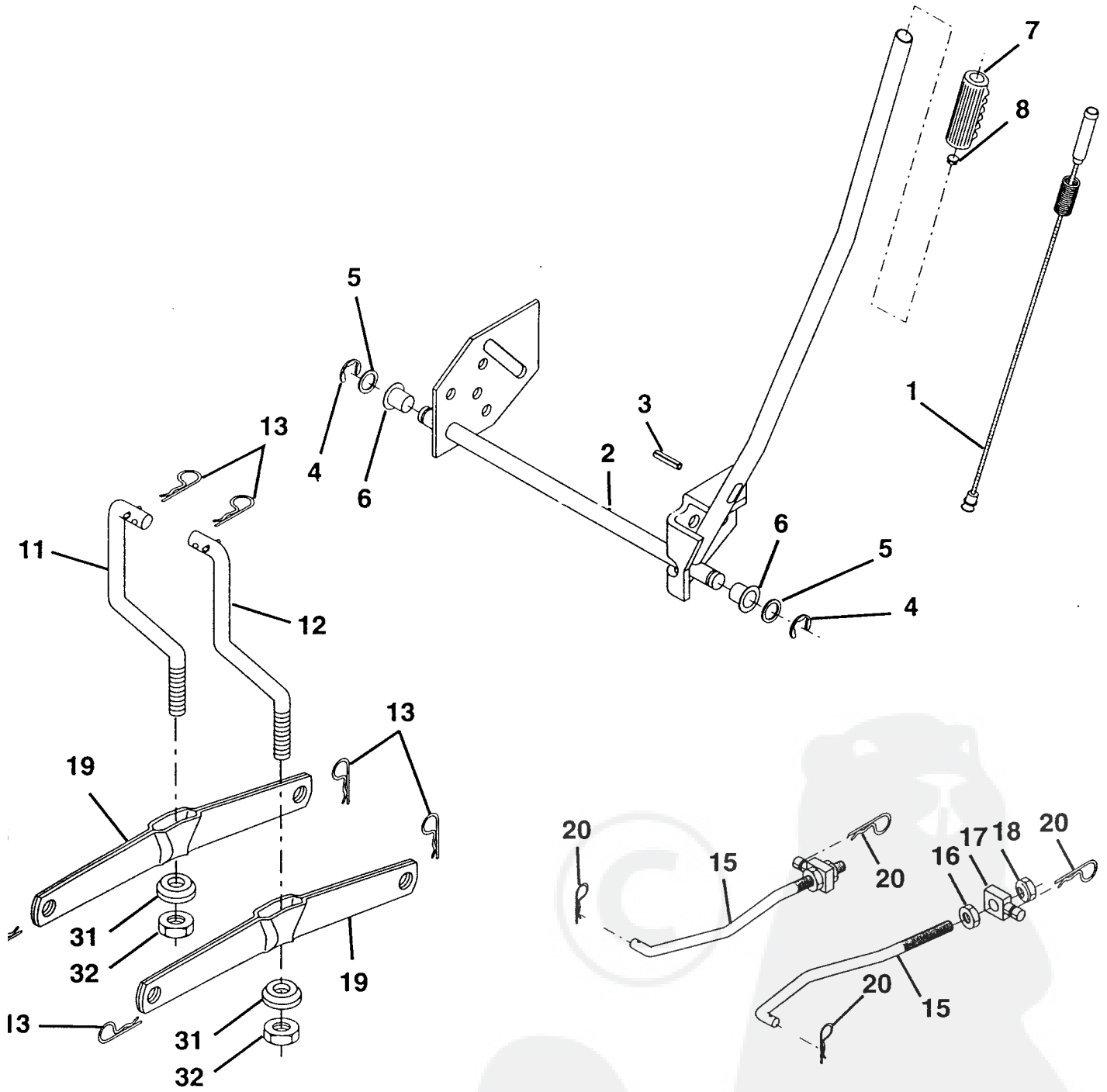
KEY NO.	PART NO.	DESCRIPTION
1	141359	Control Th/ch
2	17720410	Screw Hex Thd Cut 1/4-20x5/8 T
3	-----	Engine Briggs Model No. 287707
4	137352	Muffler Exhaust B&S
13	272293	Gasket Eng 1 313 Id Tin Plated
14	13280324	Nipple Pipe 3/8 Npt X 3"
15	13200300	Elbow Std 90 Degree 3/8-18 Npt
16	11050600	Washer Lock Ext Tooth 3/8
23	159880	Shield BRN/DBR Guard
29	137180	Kit Spark Arrestor (Flat Scrn)
31	161911	Tank Fuel Front 2 00
32	140527	Cap Asm Fuel
33	123487X	Clamp Hose Blk
35	17490512	Screw Thdrol 5/16-18 x 3/4
37	137040	Line Fuel
38	-----	Plug Oil Drain (Order From Engine Manufacturer)
40	124028X	Bushing Snap Nyl Blk Fuel Line
44	17490412	Screw Hexwsh Thdrol 1/4-20x3/4
46	19091416	Washer 9/32 X 7/8 X 16 Ga
62	10040500	Washer 5/16
66	127951	Stop Throttle
72	71070512	Screw 5/16-18 x 3/4
78	17490620	Screw Thdrol 3/8-16x1-1/4 TYTT
81	128861	Nut Flange 1/4-20 Starter Nut

**NOTE:** All component dimensions given in U.S. inches.  
1 inch = 25.4 mm.

# REPAIR PARTS

TRACTOR - - MODEL NUMBER WZ145H42A

## MOWER LIFT





# REPAIR PARTS

TRACTOR - - MODEL NUMBER WZ145H42A

## MOWER LIFT

KEY NO.	PART NO.	DESCRIPTION
1	159460	Wire Asm. Inner/Sprg w/Plunger
2	159471	Shaft, Asm., Lift R/H
3	105767X	Pin, Groove
4	12000002	Ring, E #5133-62
5	19211621	Washer 21/32 x 1 x 21 Ga.
6	120183X	Bearing, Nylon
7	109413X	Grip Handle Bicycle Matte Blk
8	124526X	Button, Plunger
11	139865	Link, Lift, Lh
12	139866	Link, Lift, Rh
13	4939M	Spring, Retainer
15	127218	Link, Front
16	73350800	Nut, Jam, Hex 1/2-13 Unc
17	130171	Trunnion
18	73800800	Nut, Lock w/washer 1/2-13 Unc
19	139868	Arm, Suspension, Rear
20	3146R	Spring, Retainer
31	140302	Bearing, Pvt Lft
32	73540600	Nut Crownlock 3/8-24

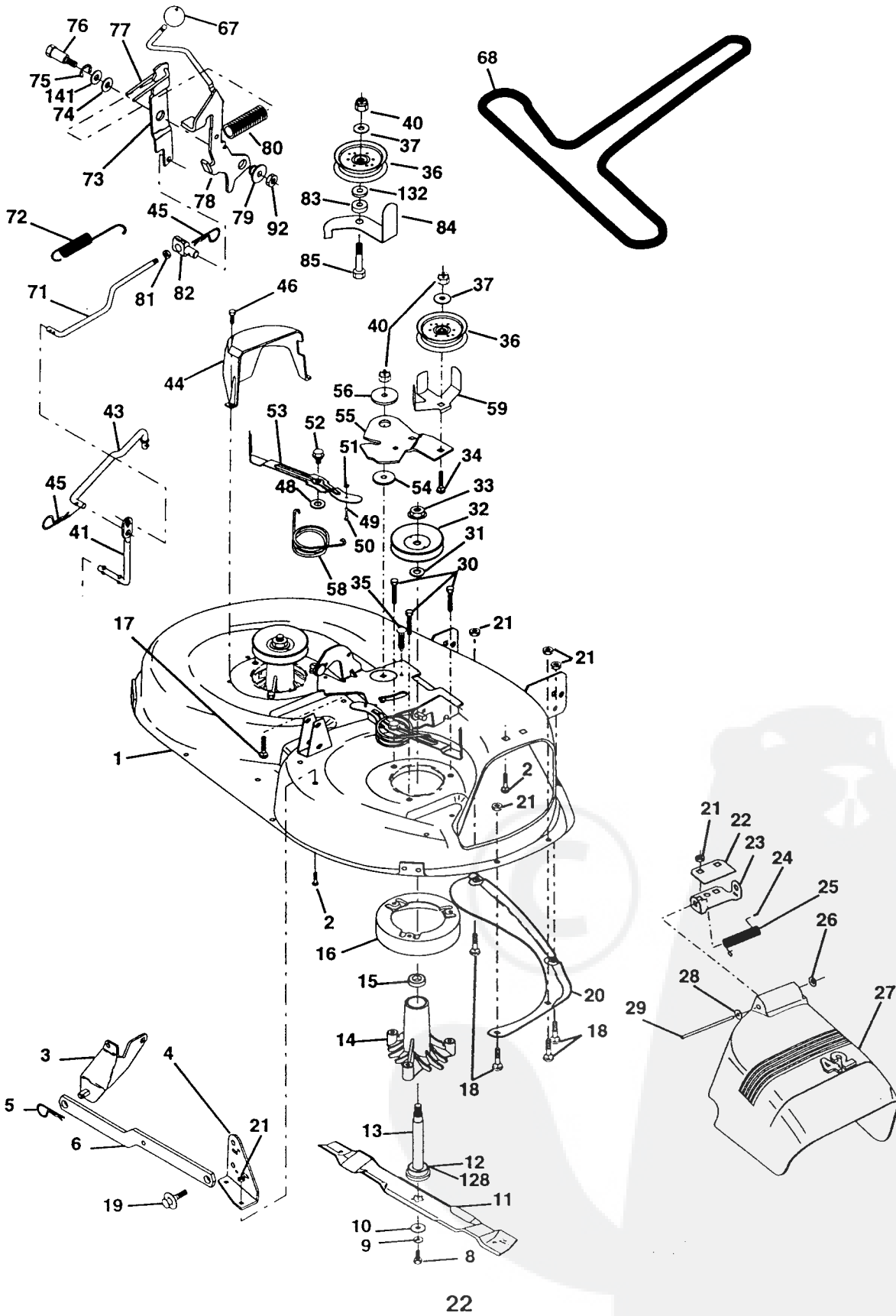
**NOTE:** All component dimensions given in U.S. inches  
1 inch = 25.4 mm



# REPAIR PARTS

TRACTOR -- MODEL NUMBER WZ145H42A

## MOWER DECK



# REPAIR PARTS

## TRACTOR - - MODEL NUMBER WZ145H42A

### MOWER DECK

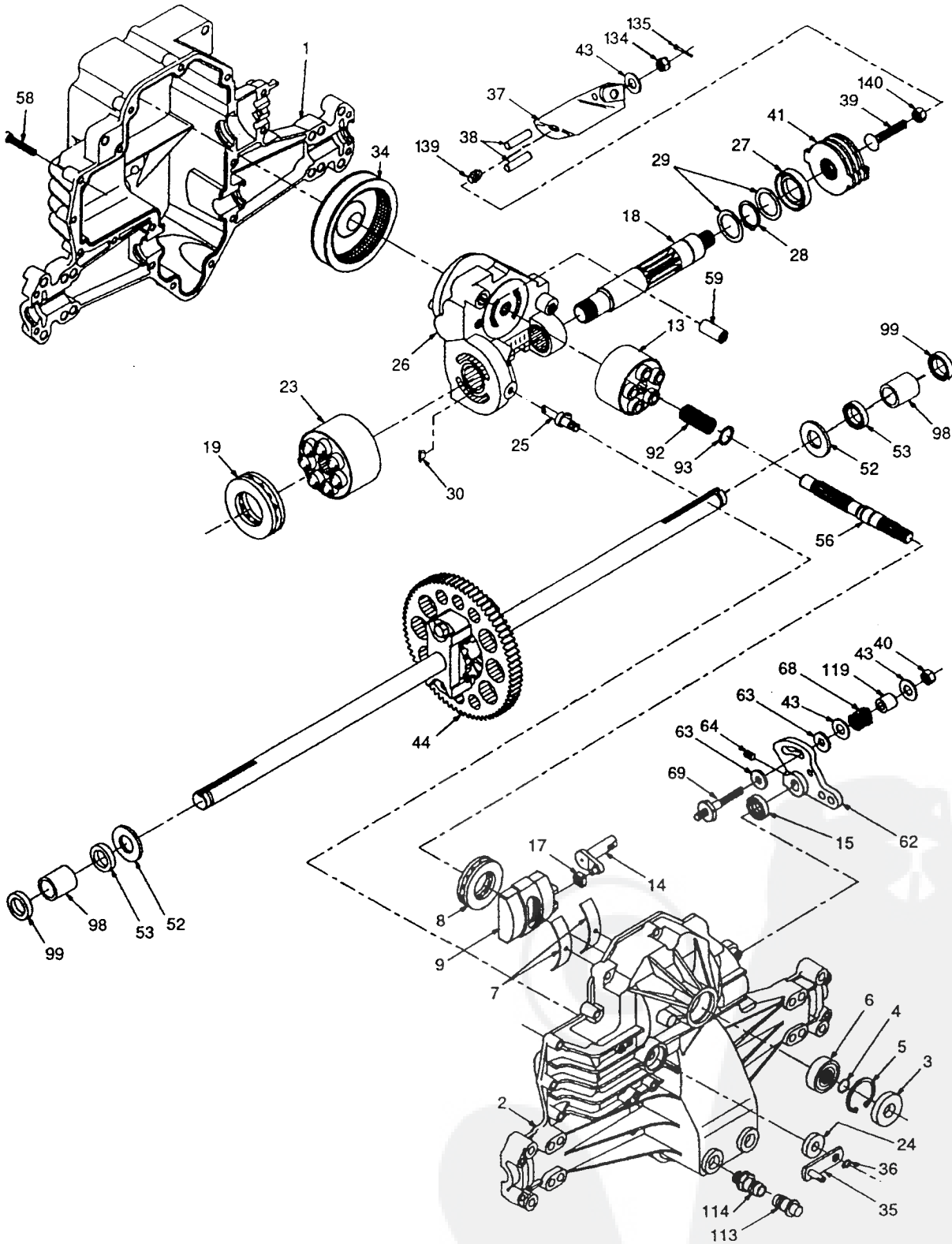
KEY NO.	PART NO.	DESCRIPTION	KEY NO.	PART NO.	DESCRIPTION
1	144393	Housing Asm MWR 42" HL MCH T-Path	44	140088	Guard Mandrel LH Black
2	72140506	Bolt Rdhd Sqnk 5/16-18unc X3/4	45	4497H	Spring Retainer 1" Zinc/cad
3	138017	Bracket Asm Fr Sway Bar 38/42	46	137729	Screw Hex Thd Cut 1/4-24 UNC
4	138440	Bracket Asm Deck 42"sway Bar	48	133944	Washer Hardened Smaller
5	4939M	Retainer Spring	49	155066	Roller Asm Cam Follower 42"dec
6	130832	Arm Suspension Rear	50	131340	Bolt Shldr 10-24 Zinc Gr 5 42"
8	850857	Bolt 3/8-24x1 25 Gr8 Patched	51	69180	Nut Lock #10-24 Unc
9	10030600	Washer Lock Hvy 3/8 Unplated	52	139888	Bolt Shoulder 5/16-18 Unc Blkz
10	140296	Washer Hard Blade Mower Vented	53	131845X900	Arm Asm Pad Brake
11	138498	Blade Mower 42" High Lift	54	133943	Washer Hardened
12	129895	Bearing Ball #6204 (Mandrel)	55	155046	Arm Idler 42" mower
13	137645	Shaft Asm W/lower Bearing	56	122052X	Spacer Retainer Pm Mower
14	128774	Housing Mandrel Vented(machd)	58	140086	Spring Torsion Brakes 42"
15	110485X	Bearing Ball Mandrel	59	141043	Guard TUV Idler
16	140329	Stripper Mower Round	67	162132	Knob Rd 7/16-14 Pastic Thds Blk
17	72110610	Bolt Rdhd Sqnk 3/8-16 X 1.25	68	144200	V-Belt Mower
18	72140505	Bolt Carr 5/16-18 X 5/8	71	142427	Rod Clutch Primary 38/42
19	132827	Bolt Shoulder	72	131870	Spring Return
20	159770	Baffle Vortex 42	73	127847	Arm Clutch Secondary
21	73680500	Nut Crown Lock 5/16-18	74	121748X	Washer 25/32 X 1-5/8 X 16 Ga
22	134753	Stiffener Bracket 42"deck	75	1200029	Ring Klip #15304-75
23	131267	Bracket Deflector Mower 42"	76	128903	Bolt Shoulder 3/8-16 Unc 1 44
24	105304X	Cap Sleeve 80x 112 Blk Mower	77	127845	Keeper Spring 4 000
25	123713X	Spring Torsion Deflector 2 52	78	160570	Arm Clutch Primary
26	110452X	Nut Push Phos & Oil	79	127498	Bushing 747 Od X 794 Lg Brass
27	130968	Shield Deflector Mower 42" Blk	80	153701	Spring Clutch Mower
28	19111016	Washer 11/32 X 5/8 X 16 Ga	81	73350600	Nut Hex Jam 3/8-16
29	131491	Rod Hinge 42"6 75 Wlg	82	142028	Trunnion Adj.
30	157722	Screw Thdrol Washer Hd	83	120958X	Washer Sintered
31	129963	Washer Spacer Mower Vented	84	156084	Keeper Belt Idler
32	153535	Pulley Mandrel 42/44/50"	85	72140618	Bolt Rdhd Sq 3/8-16 UNC x2-1/4
33	137266	Nut 9/16top Lock Flng	92	73800600	Nut Lock Hex w/Ins 3/8-16 UNC
34	72110614	Bolt Rdhd 3/8-16uncx1-3/4 Gr5	128	153390	Washer Felt
35	133835	Fastner Christmas Tree	132	19132203	Washer 13/32 x 1-3/8 x 3 Ga.
36	131494	Pulley Idler Flat 3 060	141	6266H	Wasehr Thrust .75 x 1.230
37	19131316	Washer 13/32 x 13/16 x 16 Ga.	--	130794	Mandrel Assembly (Includes Key Numbers 8-10, 12-15, 31 and 33)
40	73680600	Nut Crownlock 3/8-16 Unc	--	144783	Deck, Std (Complete)
41	133551	Rod Pivot W/nibs			
43	140083	Rod Clutch Secondary W/nibs			

**NOTE:** All component dimensions given in U.S. inches  
1 inch = 25.4 mm

# REPAIR PARTS

TRACTOR - - MODEL NUMBER WZ145H42A

TRANSAXLE - HYDRO GEAR MODEL NUMBER 310-500



# REPAIR PARTS

## TRACTOR - - MODEL NUMBER WZ145H42A

### TRANSAXLE - HYDRO GEAR MODEL NUMBER 310-500

KEY PART NO. NO.	DESCRIPTION	KEY PART NO. NO.	DESCRIPTION
1 142986	Housing, Lower	40 150778	Locknut, Hex 5/16-24 UNJC
2 142987	Assembly, Upper Housing	41 142958	Brake Rotor/Stator Kit
3 142932	Seal, Lip	43 142884	Washer 7/16 x 7/8 x .060
4 142928	Ring, Wire Retaining	44 142990	Differential Assembly
5 142933	Ring, Retaining	52 142991	Washer 3/4 x 1.5 x .13
6 142934	Bearing, Shaft Ball	53 142961	Seal .75 x 1.25 x .250
7 142935	Bearing, Cradle	56 142963	Shaft, Input
8 150771	Bearing, Thrust 30 x 52 x 13	58 142964	Bolt 1/4-20 x 1.38
9 142937	Swashplate, Variable	59 142965	Pin .5 OD x .43 ID x .750
13 142938	Block, Cylinder Assembly	62 142966	Arm, Control
14 142939	Arm, Trunnion	63 142967	Puck, Dampener
15 142940	Seal, Lip	64 142920	Set Screw
17 142941	Guide, Slot	68 142969	Spring
18 150772	Shaft, Motor	69 144610	Stud 5/16-24
19 150773	Bearing, Thrust 42 x 68 x 16	92 142977	Spring, Block
23 142944	Block, Cylinder Assembly	93 142978	Washer, Block Thrust
24 142945	Seal, Lip 10 x 25 x 7	98 142993	Sleeve Bearing
25 142946	Actuator, Bypass	99 142976	Seal, Wiper
26 150774	Center Section Assembly Kit	113 142917	Cap, Vent Assembly
27 142948	Seal, Lip 26 x 42 x 8	114 142918	Fitting, O-Ring Assembly
28 142949	Ring, Retaining	119 142980	Spacer
29 142950	Washer 26 x 35 x 1	134 144607	Nut, Castle 5/16-24
30 150787	Nut, Jam	135 144608	Pin, Cotter
34 142951	Oil Filter Element	139 150775	Spring, Compression
35 142952	Arm, Bypass	140 150776	Nut, Hex 5/16-24
36 142953	Ring, Retaining		
37 142954	Arm, Actuating		
38 142955	Pin, Actuating		
39 150777	Bolt 5/16-24 x 1-3/4		

**NOTE:** All component dimensions given in U.S. inches  
1 inch = 25.4 mm

