

ILLUSTRATED PARTS BREAKDOWN

BERNARD

15.5 HP LAWN TRACTOR

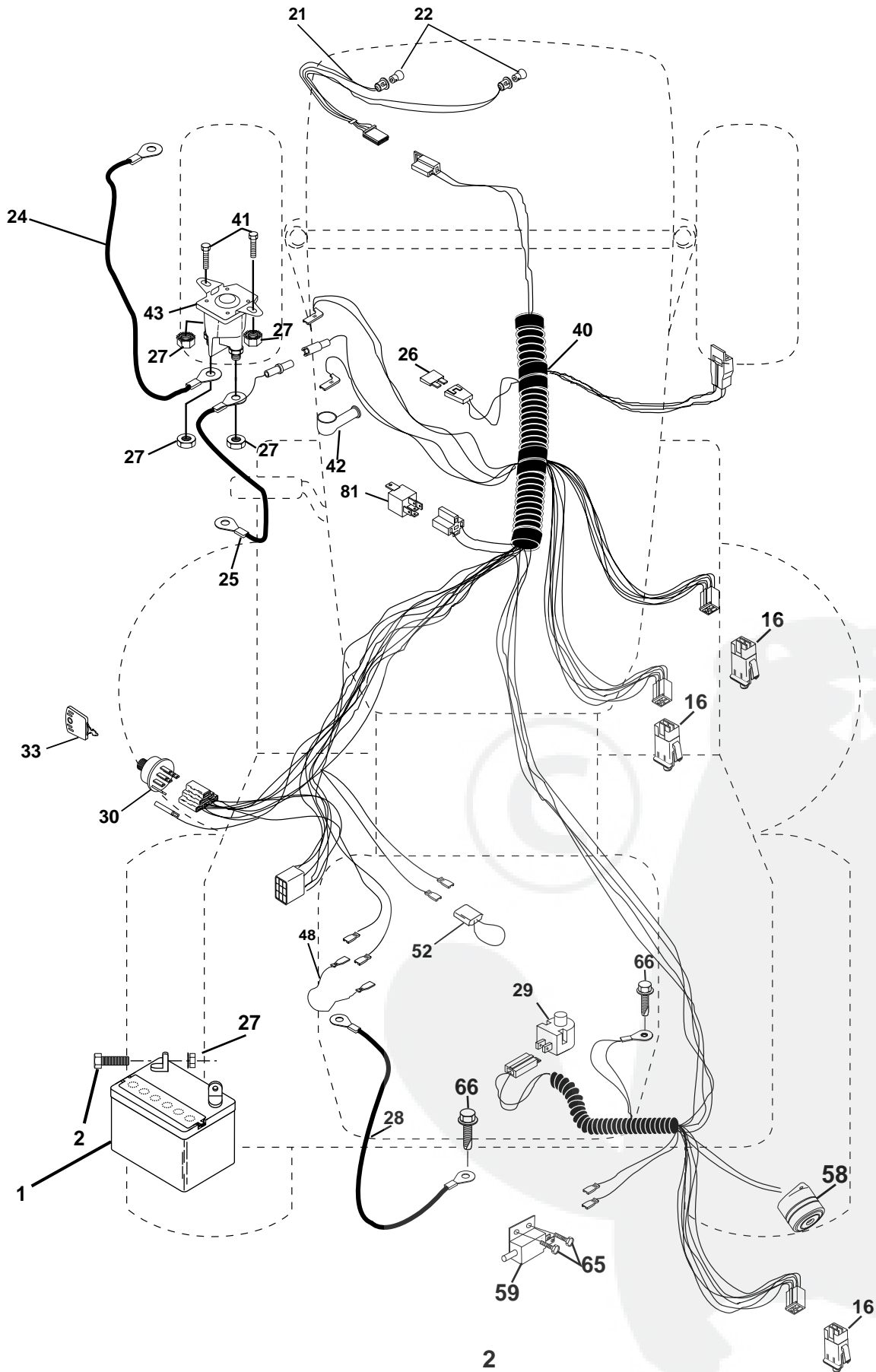
MODEL NO. BL15536RBH (BL15536RBHB)

954 56 68-74



REPAIR PARTS

TRACTOR- MODEL NO. BL15536RBH (BL15536RBHB), PRODUCT NO. 954 56 68-74
ELECTRICAL



REPAIR PARTS

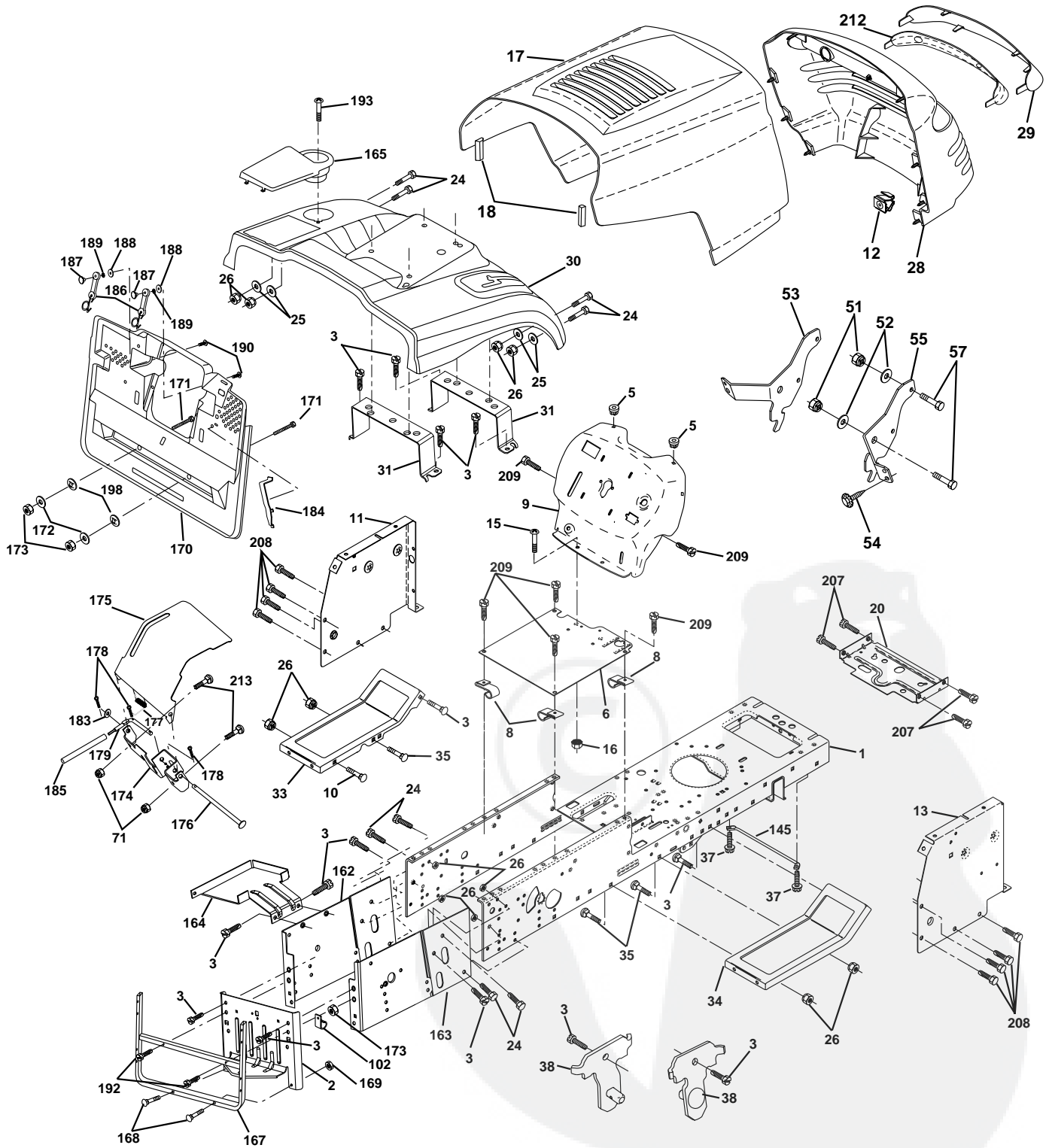
TRACTOR- MODEL NO. BL15536RBH (BL15536RBHB), PRODUCT NO. 954 56 68-74
ELECTRICAL

KEY NO.	PART NO.	DESCRIPTION
1	144925	Battery 12 Volt 25 AMP Wet
2	74760412	Bolt Hex Hd 1/4-20 Unc X 3/4
16	153664	Switch Interlock Push-In
21	166181	Harness Asm Light W/4152J
22	4152J	Bulb Light #1156
24	108423X	Cable Battery 6 Ga 16" Red
25	165987	Cable Battery Crd 56" Red
26	175158	Fuse
27	73510400	Nut Keps Hex 1/4-20 Unc
28	127725X	Cable Ground 6Ga 18" Black
29	160784	Switch Plunger Normal Op Olive
30	175566	Switch Ignition
33	140401	Key Ign Molded
40	170164	Harness Ign Crd
41	71110408	Bolt Flk Fin Hex 1/4-20 Unc X 1/2
42	131563	Cover Terminal Red
43	175141	Solenoid
48	140844	Adaptor Ammeter Rectangular
52	141940	Protection Wire Loop
58	169419	Buzzer Crd
59	166299	Switch FBI CRD
65	17211008	Screw Slftp #10-16 x 1/2 Ty-Ab
66	17490608	Screw Thdrol 3/8-16 x 1/2 Ty-Tt
81	109748X	Relay Asm

NOTE: All component dimensions given in U.S. inches.
1 inch = 25.4 mm.

REPAIR PARTS

TRACTOR- MODEL NO. BL15536RBH (BL15536RBHB), PRODUCT NO. 954 56 68-74
CHASSIS AND ENCLOSURES



REPAIR PARTS

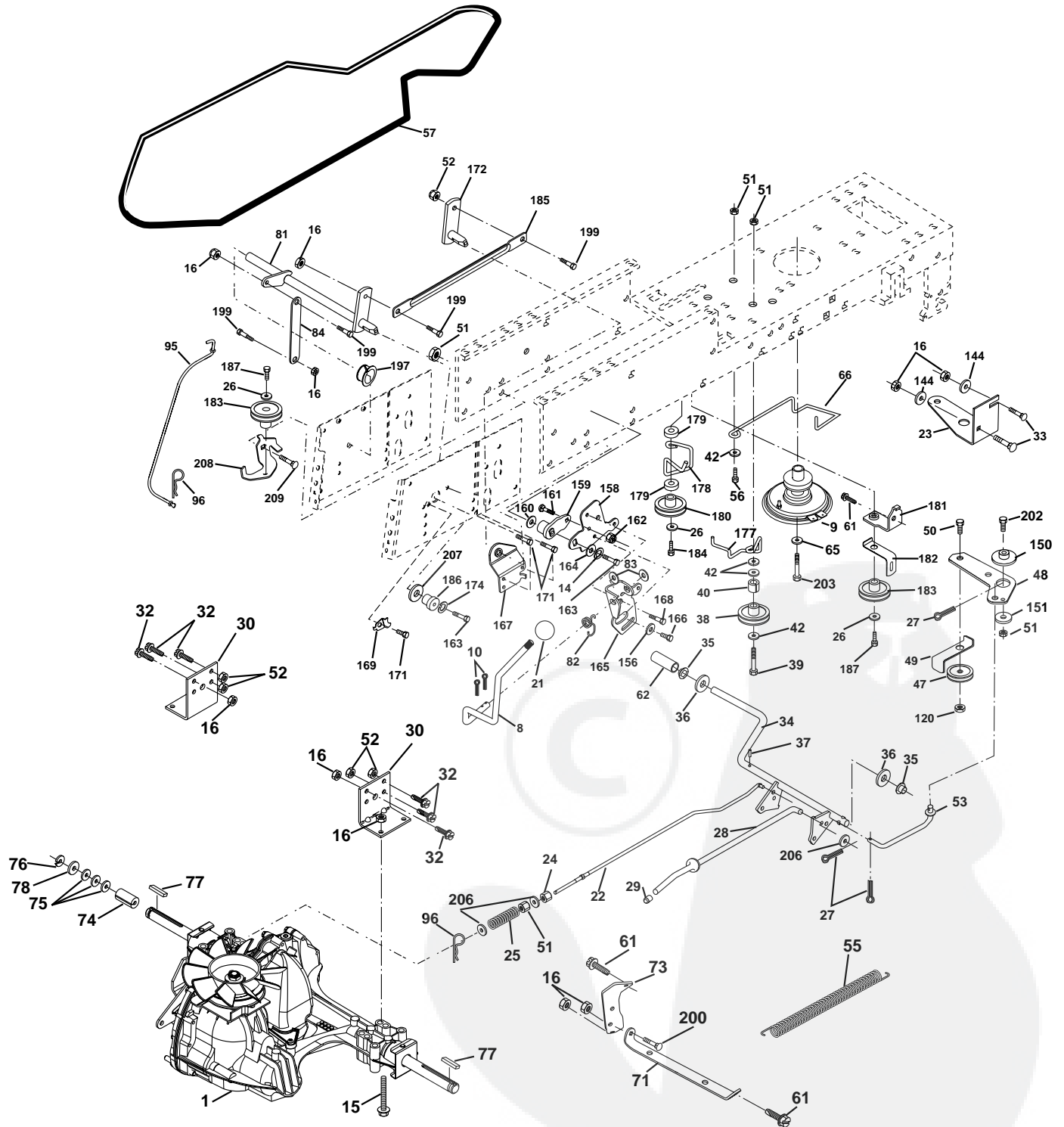
TRACTOR- MODEL NO. BL15536RBH (BL15536RBHB), PRODUCT NO. 954 56 68-74 CHASSIS AND ENCLOSURES

KEY NO.	PART NO.	DESCRIPTION	KEY NO.	PART NO.	DESCRIPTION
1	169831	Chassis Assembly	145	156524	Rod Pivot Chassis/Hood
2	165606	Drawbar	162	170256	Bracket Exten Chassis Lh CRD
3	17060612	Screw Thdrol 3/8-16 x 1-1/2	163	175770	Bracket Exten Chassis Rh CRD
5	155272	Bumper Hood/Dash	164	165605	Support Battery CRD
6	155923	Saddle	165	165742X428	Cover Battery CRD Lt
8	126471X	Clip Insulator 13/32 Mtg. Hole	167	165779	Support Asm. Backplate WLDMMT
9	168347X011	Dash	168	72050412	Bolt, RDHD SHT NK 1/4-20 x 1-1/2
10	72140608	Bolt, Carriage 3/8-16 x 1	169	123976X	Nut, Lock 1/4 LGE FLG Gr. 5 Zinc
11	155927	Panel, Dash, L.H.	170	175264	Backplate Asm CRD
12	145660	Clip, Tinnerman Grille P/L	171	72140620	Bolt RDHD SQNK 3/8-16 x 2-1/2
13	172107X010	Panel, Asm. Dash R.H.	172	19132016	Washer 13/32 x 1-1/4 x 16 Ga.
15	74180512	Screw, Machine, Truss Head 5/16-18 UNC x 3/4	173	73510600	Nut, Keps Hex 3/8-16 UNC
16	73510500	Nut	174	165939	Bracket Switch FBI CRD
17	159639X421	Hood Assembly	175	166212	Guard Door Rear CRD
18	126938X	Bumper Hood	176	128600	Pin Hinge Pivot
20	156437	Plate Mtg. Battery/Fuel Tank	177	132796	Spring Bagger Top LH Black
24	74780616	Bolt	178	76020312	Pin Cotter 3/32 x 3/4 Cad Zinc
25	19131312	Washer 13/32 x 13/16 x 12 Gauge	179	165942	Rod Pivot FBI CRD
26	73800600	Nut	183	19131316	Washer 13/32 x 13/16 x 16 Ga.
28	170474	Grille/Lens Asm	184	174662	Bracket Actuator Bagger CRD
29	170472X599	Lens, Grille	185	165940	Tube Lever Switch FBI CRD
30	170139X421	Fender	186	160793	Latch Asm Mulch/Bagger
31	165156	Bracket, Fender Support	187	2029J	Nut Weld .327/.304 #10-24
33	145244X418	Footrest, L.H.	188	19061216	Washer #10
34	145243X418	Footrest, R.H.	189	10071000	Washer Lock #10
35	72110606	Bolt	190	71081010	Screw Pan Hd Phillip 10-24 x 5/8
37	17490508	Screw Thdrol 5/16-18 x 1/2 TYT	192	17060624	Screw 3/8-16 x 1-1/2
38	169834	Bracket Asm pivot Mower Rear	193	17070412	Screw Truss 1/4-20 x 3/4
51	73800400	Nut Lock w/Insert 1/4-20 UNC	198	168937	Nut Push
52	19091416	Washer 9/32 x 7/8 x 16 Ga.	207	17670508	Screw Thdrol 5/16-18 x 1/2
53	144697	Bracket, Grille LH	208	17670608	Screw Thdrol 3/8-16 x 1/2
54	161464	Screw Hex WSHD 8-18 x 7/8	209	17000612	Screw Hex Wsh Thdrol 3/8-16
55	144696	Bracket, Grille RH	212	174503	Insert Lens Reflective
57	74780412	Bolt, Fin Hex 1/4-20 UNC x .75	213	72110406	Bolt Carr
71	73680400	Nut Crownlock 1/4-20	--	5479J	Plug, Button
102	2751R	Clip Fuel Line 13/32 Mtg Hole			

NOTE: All component dimensions given in U.S. inches.
1 inch = 25.4 mm.

REPAIR PARTS

TRACTOR- MODEL NO. BL15536RBH (BL15536RBHB), PRODUCT NO. 954 56 68-74
DRIVE



REPAIR PARTS

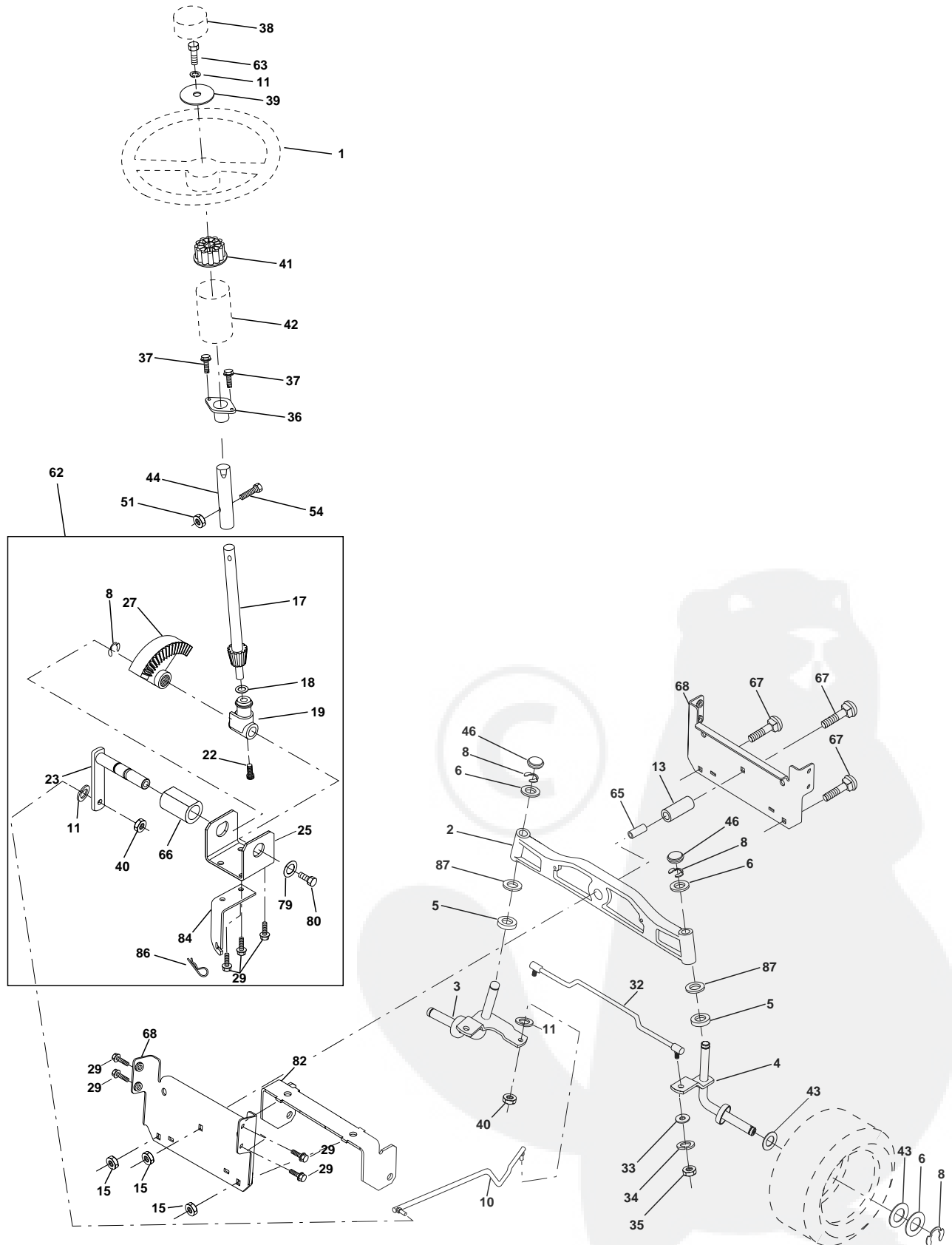
**TRACTOR- MODEL NO. BL15536RBH (BL15536RBHB), PRODUCT NO. 954 56 68-74
DRIVE**

KEY NO.	PART NO.	DESCRIPTION	KEY NO.	PART NO.	DESCRIPTION
1	-----	Transaxle (Order part from transaxle manufacturer)	78	121748X	Washer 25/32 x 1-5/8 x 16 Gauge
		Hydro Gear Model 321-0510	81	170006	Shaft Asm. Cross
8	165619	Rod Shift Fender Adjust	82	123782X	Spring Torsion
9	170163	Clutch Asm Noram	83	19171216	Washer 17/32 x 3/4 x 16 Ga.
10	76020416	Pin Cotter 1/8 x 1 CAD	84	170007	Link Transaxle
14	10040400	Washer Lock Hvy Helical	95	170015	Rod Bypass CRD
15	74490544	Bolt Hex 5/16-18 Gr. 5	96	4497H	Retainer Spring 1" Zinc/Cad
16	73800500	Nut Lock Hex W/Ins 5/16-18 Unc P	120	73900600	Nut Lock Flg 3/8-16unc
21	106933X	Knob, Round 1/2-13	144	19111016	Washer 11/32 x 5/8 x 16 Ga.
22	170137	Rod, Brake Hydro	150	165850	Bushing Bellcrank
23	170017	Bracket Clutch Noram	151	19133210	Washer 13/32 x 2 x 10 Ga.
24	73350600	Nut Hex Jam 3/8-16	156	166002	Washer Srrted 5/16ID x 1.125
25	106888X	Spring, Brake Rod	158	165589	Bracket Shift Mount
26	19131316	Washer 13/32 x 13/16 x 16 Ga.	159	165494	Hub Tapered Flange Shift Lt
27	76020412	Pin Cotter 1/8 x 3/4 CAD.	160	19292016	Washer 29/32 x 1-1/4 x 16 Ga
28	145204	Rod, Parking Brake	161	72140406	Bolt Rdhd Sqnk 1/4-20 x 3/4 Gr. 5
29	71673	Cap, Parking Brake	162	73680400	Nut Crownlock 1/4-20 Unc
30	169592	Bracket, Transaxle	163	74780416	Bolt Hex Fin 1/4-20 Unc x 1 Gr 5
32	74760512	Bolt Hex Hd 5/16-18 Unc x 3/4	164	19091010	Washer 5/8 x .281 x 10 Ga
33	72140506	Bolt Rdhd Sqnk 5/16-18 unc x 3/4	165	165623	Bracket Pivot Lever
34	165496	Shaft, Foot Pedal	166	166880	Screw 5/16-18 x 5/8
35	120183X	Bearing, Nylon	167	165588	Bracket Support Shift CRD
36	19211616	Washer 21/32 x 1 x 16 Ga	168	165492	Bolt Shoulder 5/16-18 x .561
37	1572H	Pin, Roll	169	165580	Plate Fastening Cross Shf. Stlt/CRD
38	165936	Pulley, Flat	171	17490608	Screw Thdrol 3/8-16 x 1/2
39	74760644	Bolt Fin Hex 3/8-16 x 2 3/4	172	170271	Shaft Asm Shifter Frt CRD
40	4470J	Spacer, Split	174	10090400	Washer Lock 1/4
42	19131312	Washer 13/32 x 13/16 x 12 Gauge	177	165932	Keeper Flat Idler
47	127783	Pulley, Idler, V-Groove	178	165933	Keeper Belt Idler
48	154407	Bellcrank Assembly	179	120958X	Washer Sintered
49	123205X	Retainer, Belt	180	165630	Pulley Flat Idler
50	74760624	Bolt Hex Hd 3/8-16 x 1 1/2	181	165797	Bracket Idler Ground Drive CRD
51	73680600	Nut Crownlock 3/8-16 UNC	182	165634	Keeper Belt 2.5"OD V-Idler CRD
52	73680500	Nut Crownlock 5/16-18 UNC	183	165626	Pulley V-Idler 2.50"OD CRD
53	105710X	Link, Clutch	184	17490644	Scr Hexwsh Thdrol 3/8-16 x 2-3/4
55	105709X	Spring, Return, Clutch	185	170008	Link shift CRD Hydro
56	74760620	Bolt Fin Hex 3/8-16 UNC x 1-1/4	186	165614	Hub Tapered Round CRD
57	170140	V-Belt, Ground Drive	187	17060620	Screw 3/8-16 x 1-1/4
61	17060612	Screw 3/8-16 x 3/4	197	169613	Nyliner Snap-In 5/8" ID
62	8883R	Cover, Pedal	199	169612	Bolt Shoulder 5/16-18unc
65	10040700	Washer	200	72140508	Bolt RDHD SQNK 5/16-18unc x 1
66	154778	Keeper Belt Engine	202	72110612	Bolt Carr Sh 3/8-16 x 1-1/2 Gr. 5
71	169183	Strap Torque Lh Hydro	203	71170780	Bolt, Hex 7/16-20 x 5
73	169182	Strap Torque Rh Hydro	206	19131416	Washer 13/32 x 7/8 x 16
74	137057	Spacer, Split	207	169845	Washer Nylon Rear
75	121749X	Washer 25/32 x 1-1/4 x 16 Gauge	208	169844	Bracket Idler Rear LH CRD
76	12000001	E-Ring	209	72110606	Bolt RDHD SHT SQNK 3/8-16 x 3/4
77	123583X	Key, Square			

NOTE: All component dimensions given in U.S. inches
1 inch = 25.4 mm

REPAIR PARTS

TRACTOR- MODEL NO. BL15536RBH (BL15536RBHB), PRODUCT NO. 954 56 68-74
STEERING



REPAIR PARTS

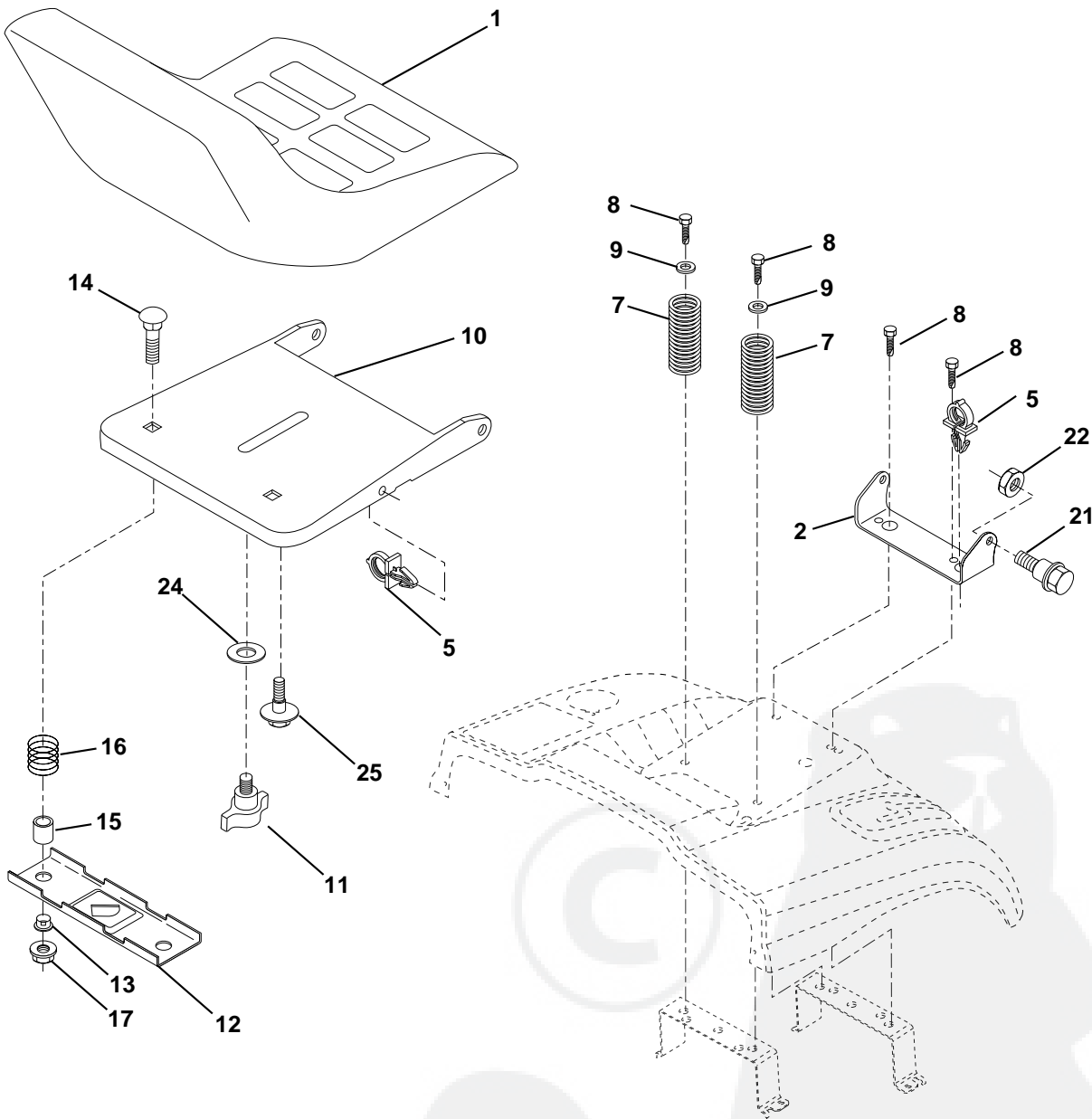
TRACTOR- MODEL NO. BL15536RBH (BL15536RBHB), PRODUCT NO. 954 56 68-74
STEERING

KEY NO.	PART NO.	DESCRIPTION
1	139768	Steering Wheel
2	172393	Axle Cast
3	169840	Spindle Assembly, L.H.
4	169839	Spindle Assembly, R.H.
5	6266H	Bearing, Race, Thrust, Hardened
6	121748X	Washer 25/32 x 1-5/8 x 16 Gauge
8	12000029	Ring, Klip
10	169832	Link, Drag
11	10040600	Washer, Lock
13	136518	Spacer Brg. Front Axle
15	145212	Nut, Hex Flange Lock
17	156546	Shaft Assembly, Steering
18	57079	Washer, Thrust .515 x .750 x .033
19	160395	Support, Shaft
22	165857	Screw Hex Wshhd Torx
23	165851	Pittman Shaft Assembly
25	154406	Bracket, Steering
27	136874	Gear, Sector
29	17060612	Screw, 3/8-16 x 3/4
32	170162	Rod, Tie
33	19111216	Washer 11/32 x 3/4 x 16 Ga
34	10040500	Washer Lock Hvy Hlcl Spr
35	73540500	Crownlock Nut 5/16-24 Unf
36	155099	Bushing, Steering
37	152927	Screw TT #10-32 x 5 x 3/8 Flange
38	140175	Cap Wheel Steering
39	19133812	Washer 13/32 x 2-3/8 x 12 Gauge
40	7810H	Nut Lock Center 3/8-24 Unf
41	100711L	Adaptor, Steering Wheel
42	145054X428	Boot, Steering Dash P/L Mtl
43	121749X	Washer 25/32 x 1-1/4 x 16 Gauge
44	153720	Extension Steering Non-Adjust
46	121232X	Cap, Spindle
51	73800500	Nut Lock Hx W/Ins 5/16-18 UNC
54	74780520	Bolt Fin Hex 5/16-18 UNC x 1-1/4
62	167902	Kit, Steering Assembly, Service
63	74780616	Bolt Fin Hex 3/8-16 unc. x 1 Gr. 5
65	160367	Spacer Brace Axle
66	154404	Bearing Arm Pittman
67	72140618	Bolt Rdhd 3/8-16 x 2-1/4
68	169827	Brace Axle
79	19132012	Washer 13/32 x 1-1/4 x 12 Ga
80	74950612	Bolt Hex Nylon 3/8-16 x 3/4
82	169835	Bracket Susp Chassis Front
84	170016	Bracket Cable Clutch Chassis
86	165898	Retainer Spring Yellow
87	173966	Washer Flat .781 x 1-1/2 x .14

NOTE: All component dimensions given in U.S. inches.
1 inch = 25.4 mm.

REPAIR PARTS

TRACTOR- MODEL NO. BL15536RBH (BL15536RBHB), PRODUCT NO. 954 56 68-74
SEAT



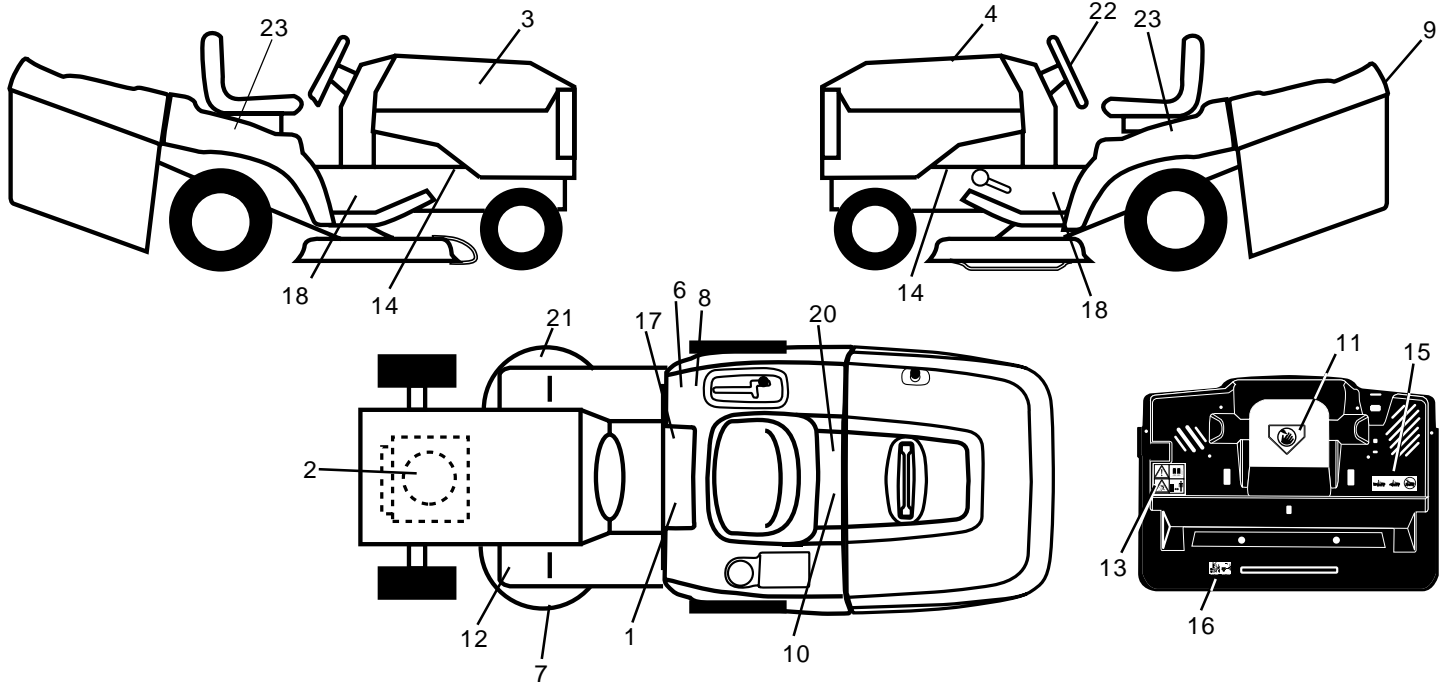
KEY NO.	PART NO.	DESCRIPTION
1	175390	Seat
2	140551	Bracket Pnt Pivot Seat (blk)
5	145006	Clip Push In Hinged
7	124181X	Spring Seat Cprsn 2 250 Blk Zi
8	17000616	Screw 3/8-16 X 1-1/2
9	19131614	Washer 13/32 X 1 X 14 Ga
10	174894	Pan Assembly Seat Tool Tree
11	166369	Knob Seat Adj Wingnut
12	121246X	Bracket Pnt Mounting Switch
13	121248X	Bushing Snap Blk Nyl 50 Id

KEY NO.	PART NO.	DESCRIPTION
14	72050412	Bolt Rdhd Sht Nk 1/4-20x1-1/2
15	121249X	Spacer Split .28 X .88 Zinc
16	123740X	Spring Cprsn
17	123976X	Nut Lock 1/4 Lge Flg Gr 5 Zinc
21	171852	Bolt Shoulder 5/16-18 Unc-2A
22	73800500	Nut Hex Lock w/Ins 5/16-18
24	19171912	Washer 17/32 X 1-3/16 X 12 Ga.
25	127018X	Bolt Shoulder 5/16-18 X 62

NOTE: All component dimensions given in U.S. inches.
1 inch = 25.4 mm

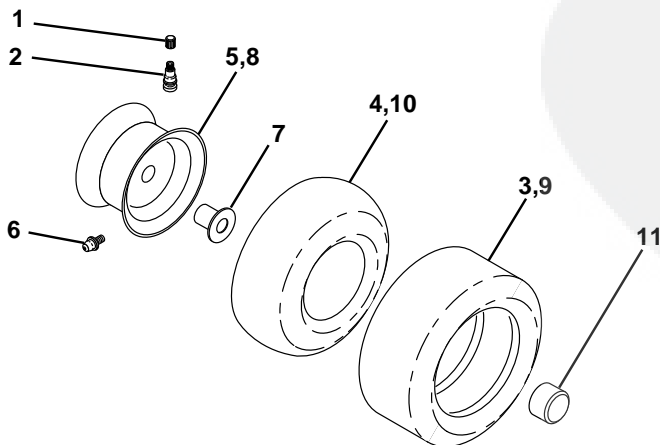
REPAIR PARTS

TRACTOR- MODEL NO. BL15536RBH (BL15536RBHB), PRODUCT NO. 954 56 68-74
DECAL



KEY NO.	PART NO.	DESCRIPTION	KEY NO.	PART NO.	DESCRIPTION
1	145498	Decal Read Owner's Manual Sym	14	159736	Decal Chassis Hot Muffler
2	64-1731-29	Decal Hp Engine	15	166961	Decal Oper Bag Presence CRD
3	175780	Decal Hood Rh	16	162598	Decal Drawbar Load Limit
4	175781	Decal Hood Lh	17	140837	Decal Saddle Brake Parking
6	126187X	Decal 100 DBA	18	167105	Decal Chassis Hydro 36" Bernard
7	134999	Decal Enviro Deck	20	166960	Decal Bypass Fender CRD
8	145437	Decal Europe Stand Ce	21	166286	Decal Deck Sch 92 CRD
9	166708	Decal Fender Logo	22	166285	Decal, Strg Whl
10	145005	Decal Bat Dan/Poi P/L Sym Wpn	23	151106	Decal Fender Auto
11	145494	Decal Mower Cut Finger Symbol	—	138311	Decal Lift Handle
12	159737	Decal Brake/Clutch Symbol Lt	—	157199X428	Pad Footrest
13	166959	Decal Warn Back Plate CRD	—	175740	Manual Operators (Euro)

WHEELS & TIRES

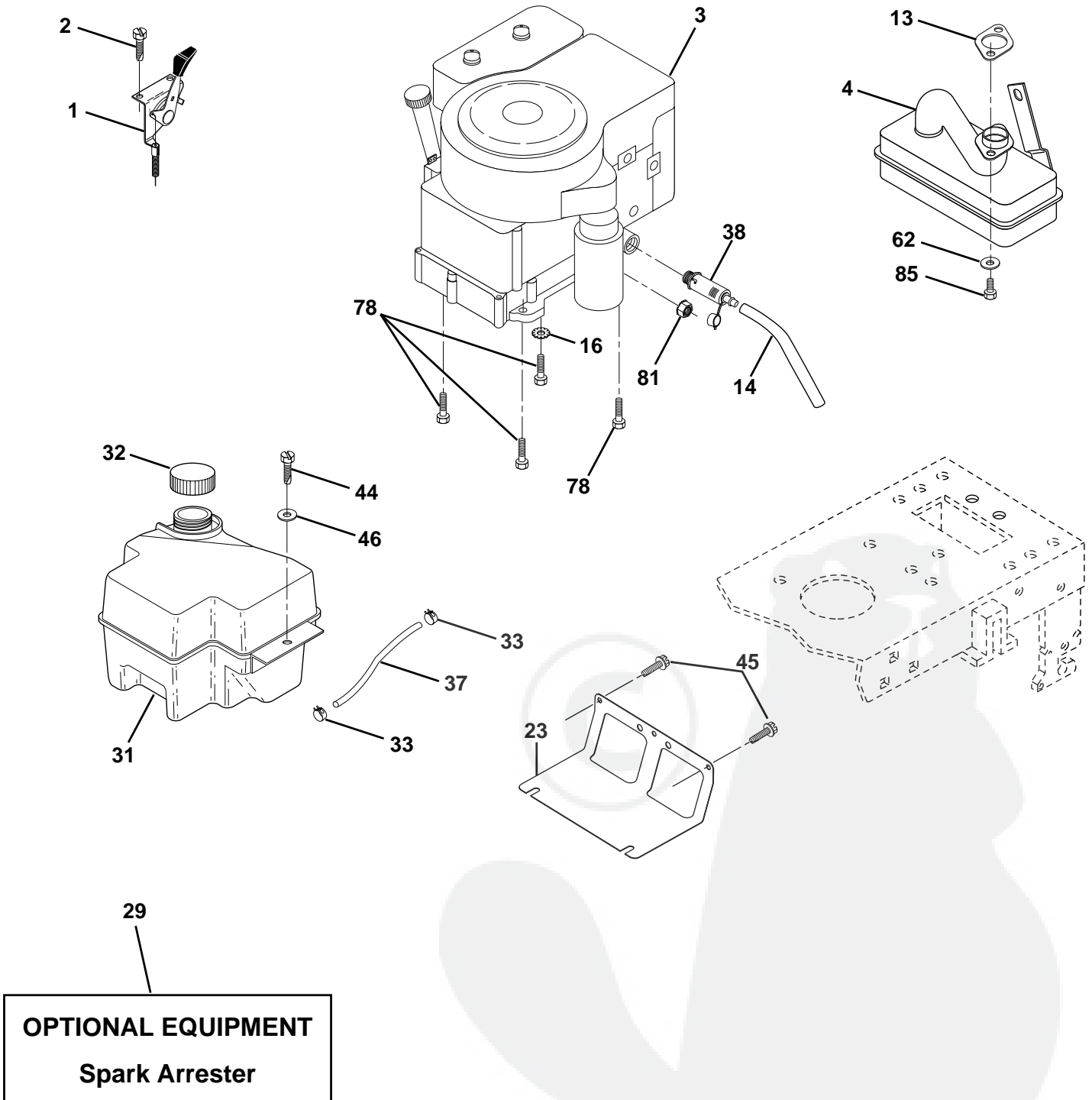


KEY NO.	PART NO.	DESCRIPTION
1	59192	Cap Value Tire
2	65139	Stem Value
3	106222X	Tire F Ts 15 X 6 0 - 6 Service
4	59904	Tube Inner Front #35060
5	106732X421	Rim Asm 6"front Service
6	278H	Fitting Grease
7	9040H	Bearing Flange
8	106108X421	Rim Asm 8"rear Service
9	138468	Tire R Ts 20 x 8-8 Service
10	7152J	Tube Rear 9 5 X 8 Service
11	104757X428	Cap Axle Blk 1 50 X 1 00
--	144334	Sealant, Tire (10 oz. tube)

NOTE: All component dimensions given in U.S. inches
1 inch = 25.4 mm

REPAIR PARTS

TRACTOR- MODEL NO. BL15536RBH (BL15536RBHB), PRODUCT NO. 954 56 68-74
ENGINE

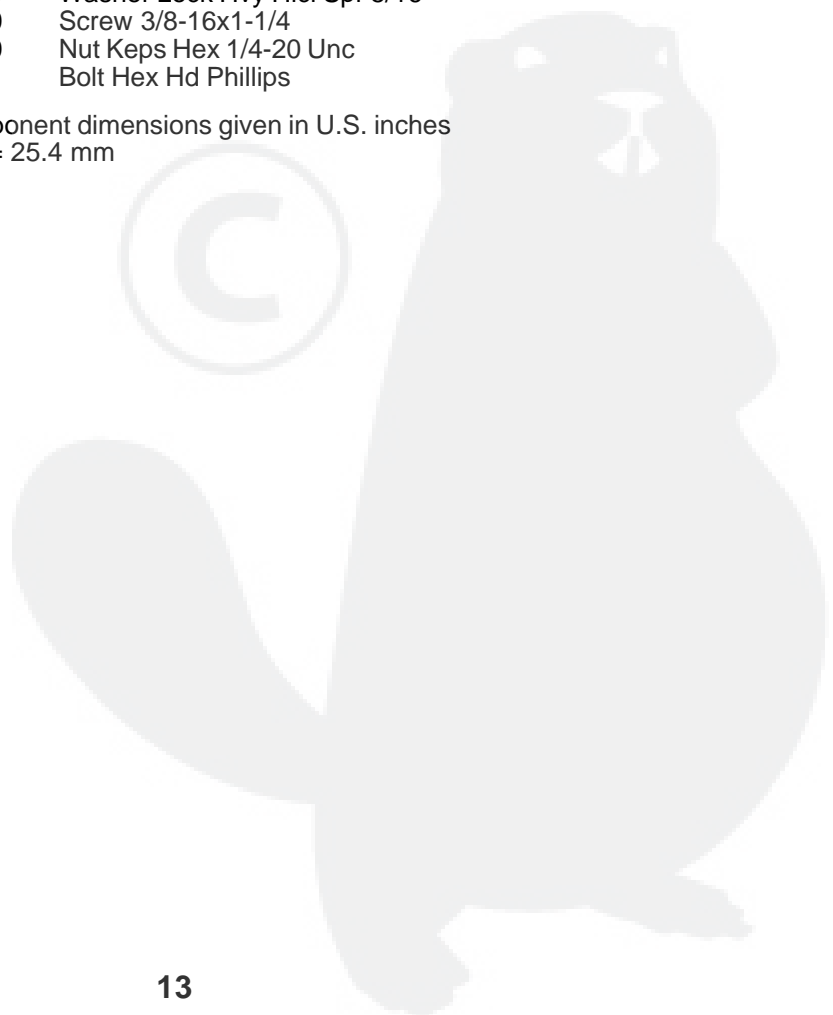


REPAIR PARTS

TRACTOR- MODEL NO. BL15536RBH (BL15536RBHB), PRODUCT NO. 954 56 68-74
ENGINE

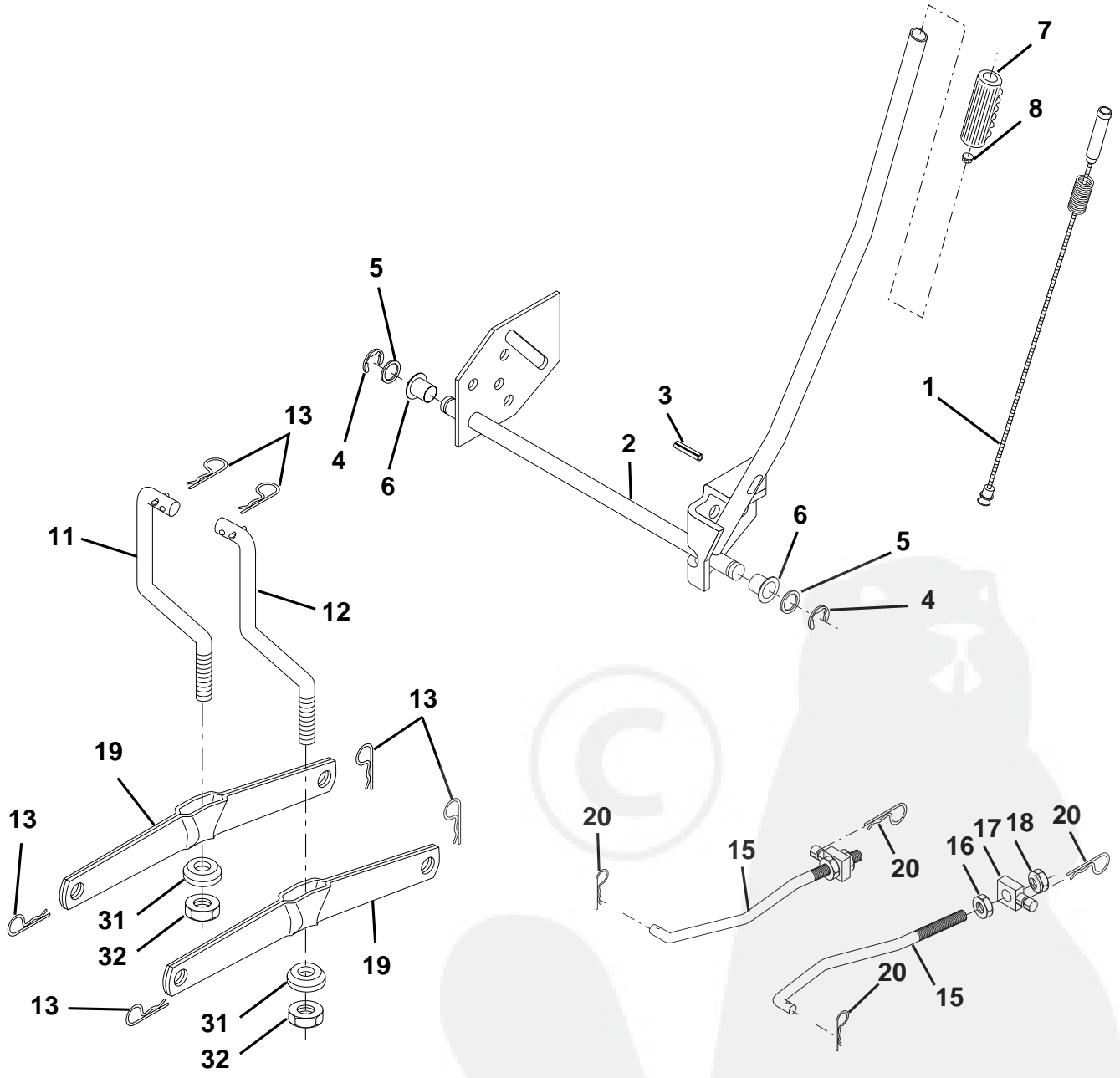
KEY NO.	PART NO.	DESCRIPTION
1	170551	Control Throt/Ch
2	17720410	Screw Hex Thd Cut 1/4-20x5/8 T
3	-----	Engine Tec Model OHV165 (Order Parts from Engine Manufacturer)
4	137351	Muffler Tec
13	149272	Gasket
14	148456	Tube Drain Oil Easy
16	11050600	Washer Lock Ext Tooth 3/8
23	169837	Shield Browning/Debris Guard
29	137180	Arrestor Spark
31	174642	Tank Fuel 2.00 Fr
32	140527	Cap Asm Fule Top Vent N/Lany
33	123487X	Clamp Hose Blk
37	137040	Line Fuel 20"
38	148315	Plug Drain Oil Easy
44	17670412	Screw Hexwsh Thdrol 1/4-20x3/4
45	17000612	Screw Hexwsh Thdr 3/8-16 x 3/4
46	19091416	Washer 9/32 X 7/8 X 16ga
62	10040500	Washer Lock Hvy Hlcl Spr 5/16
78	17060620	Screw 3/8-16x1-1/4
81	73510400	Nut Keps Hex 1/4-20 Unc
85	123528X	Bolt Hex Hd Phillips

NOTE: All component dimensions given in U.S. inches
1 inch = 25.4 mm



REPAIR PARTS

TRACTOR- MODEL NO. BL15536RBH (BL15536RBHB), PRODUCT NO. 954 56 68-74
MOWER LIFT

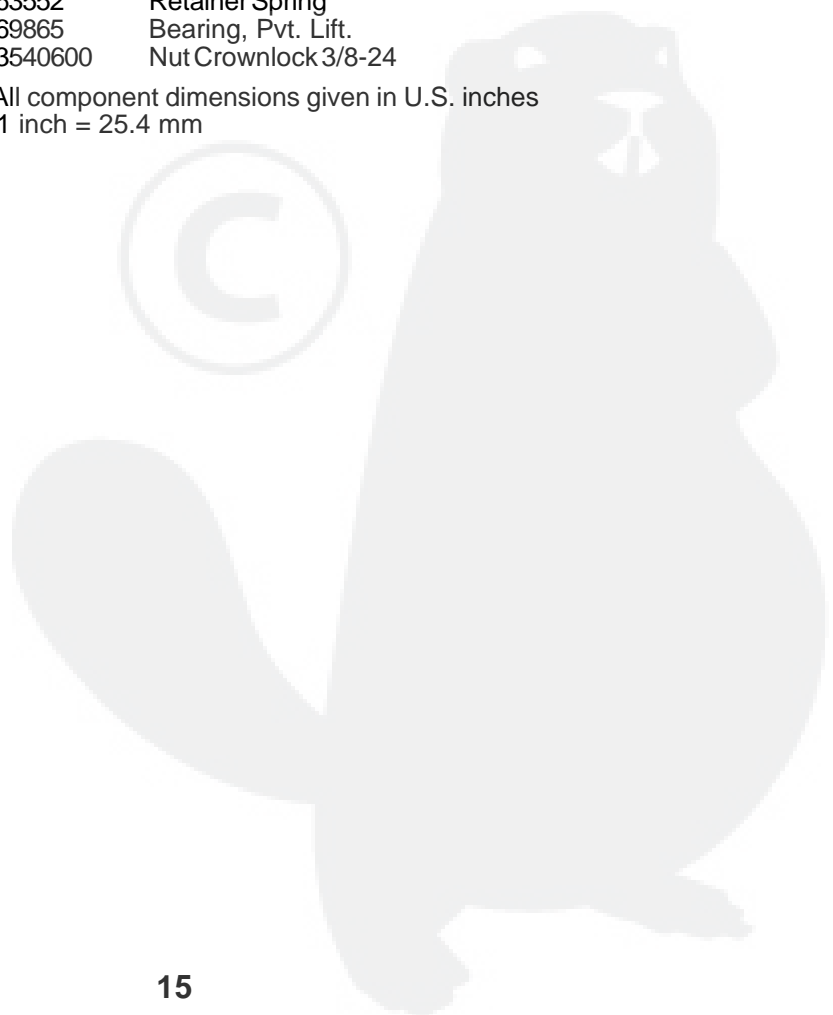
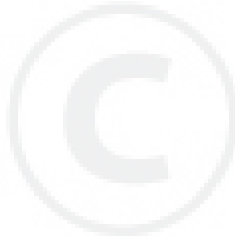


REPAIR PARTS

TRACTOR- MODEL NO. BL15536RBH (BL15536RBHB), PRODUCT NO. 954 56 68-74
MOWER LIFT

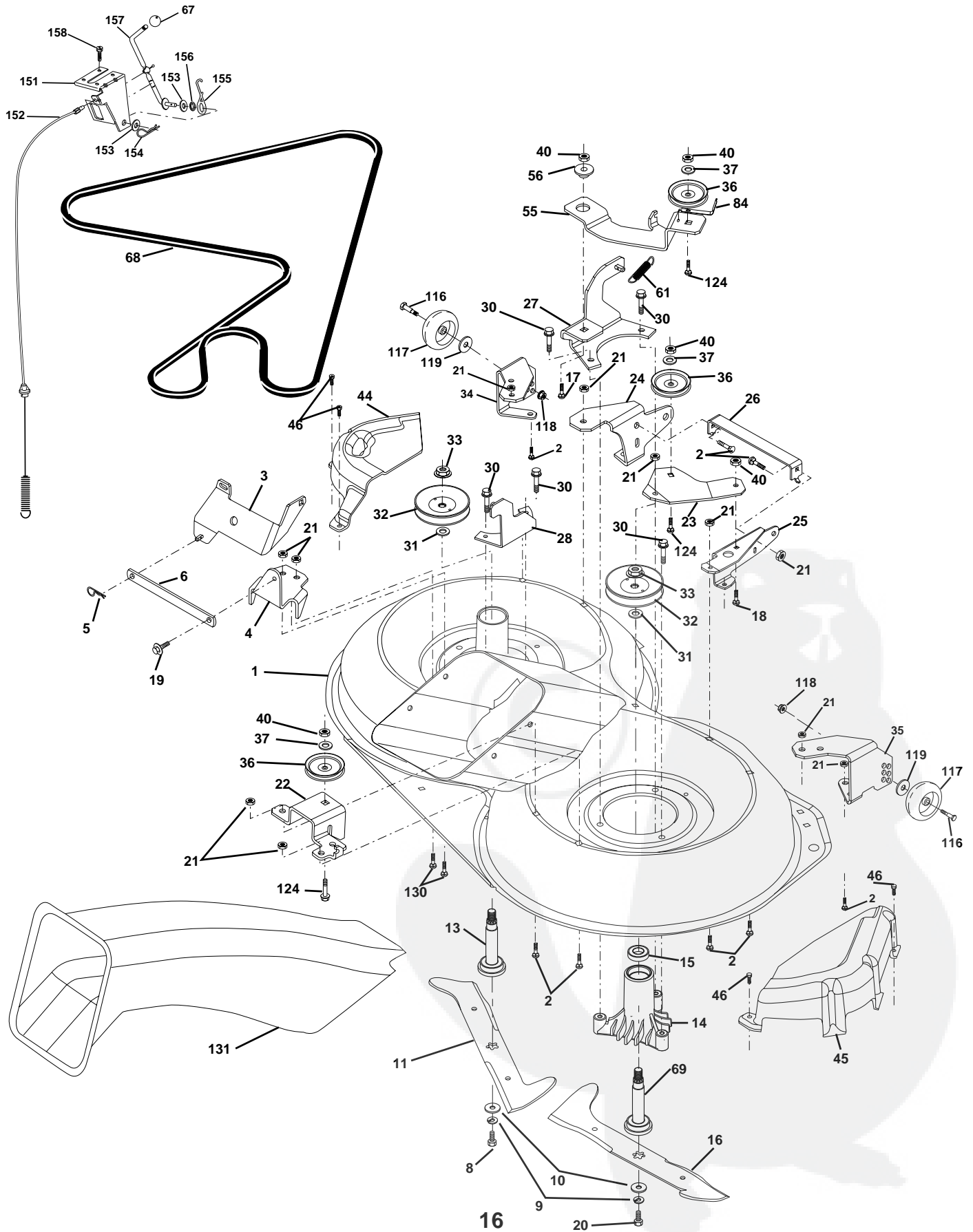
KEY NO.	PART NO.	DESCRIPTION
1	159460	Washer Asm Inner Spring W/Plunger
2	159471	Shaft Asm. Lift
3	105767X	Pin Groove
4	12000002	E Ring #5133-62
5	19211621	Washer 21/32 x 1 x 21 Ga.
6	120183X	Bearing Nylon
7	109413X	Grip Handle
8	124526X	Button Plunger Black
11	165829	Link Asm Lift L.H.
12	165831	Link Asm Lift R.H.
13	4939M	Retainer Spring
15	173288	Link Front
16	73350800	Nut Jam Hex 1/2-13 Unc
17	130171	Trunnion Blk Zinc
18	73800800	Nut Lock w/wash 1/2-13 Unc
19	139868	Arm Suspension Mower
20	163552	Retainer Spring
31	169865	Bearing, Pvt. Lift.
32	73540600	Nut Crownlock 3/8-24

NOTE: All component dimensions given in U.S. inches
1 inch = 25.4 mm



REPAIR PARTS

TRACTOR- MODEL NO. BL15536RBH (BL15536RBHB), PRODUCT NO. 954 56 68-74
MOWER DECK



REPAIR PARTS

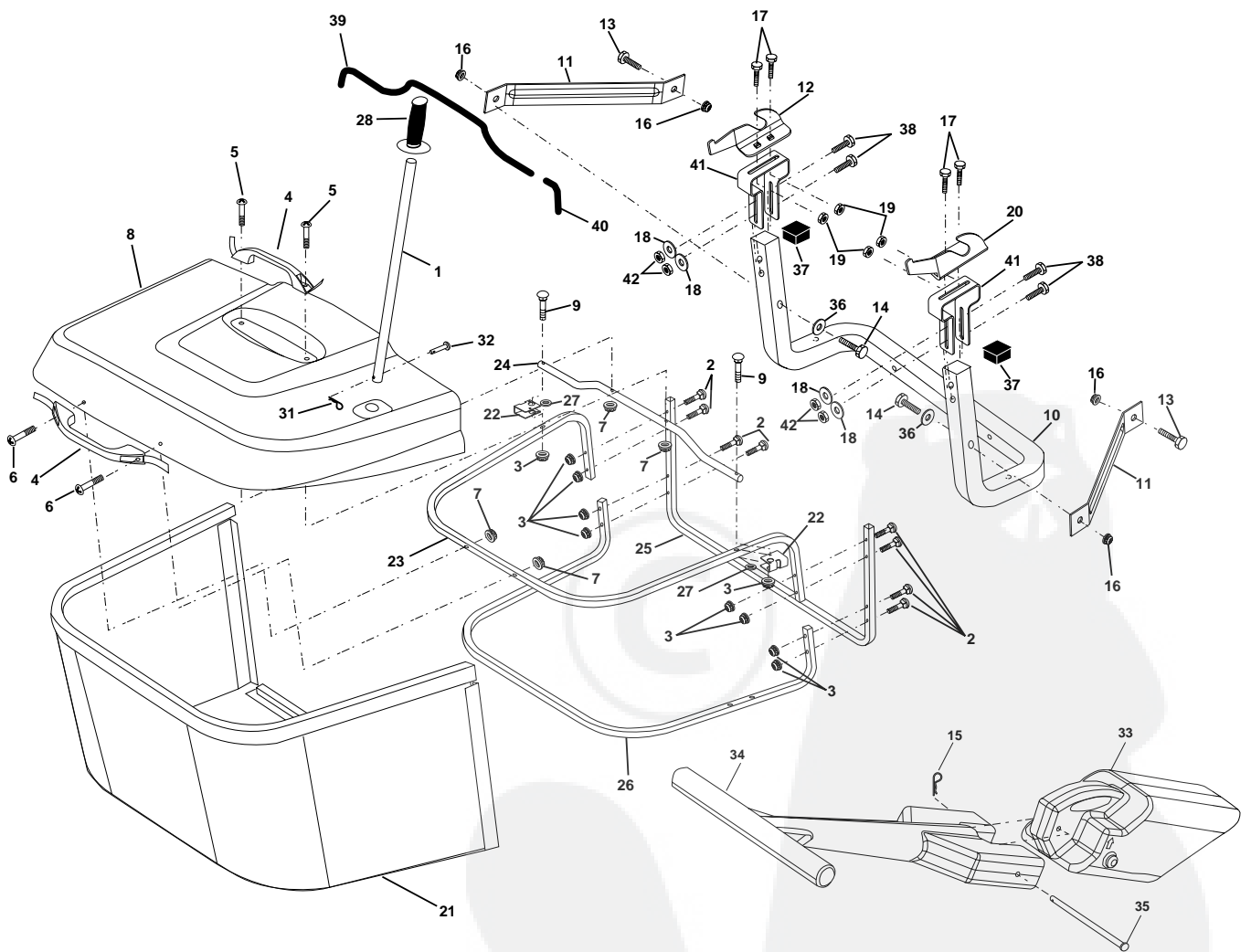
TRACTOR- MODEL NO. BL15536RBH (BL15536RBHB), PRODUCT NO. 954 56 68-74
MOWER DECK

KEY NO.	PART NO.	DESCRIPTION	KEY NO.	PART NO.	DESCRIPTION
1	165552	Housing Asm. Mower 92 CRD	37	19131316	Washer 11/32 x 13/16 x 16 Ga
2	72140506	Bolt Rdhd Sqnk 5/16-18 Unc x 3/4	40	73680600	Nut Crownlock 3/8-16 Unc
3	165569	Bracket Asm. S-Bar Chass 92 CRD	44	165724	Cover Mandrel Lh 92 CRD
4	165558	Bracket Bar Sway Deck 92 CRD	45	165556	Cover Mandrel Rh 92 CRD
5	4939M	Retainer Spring	46	137729	Screw Thd Roll 1/4-20 x 5/8
6	165557	Bar Sway 92 CRD	55	165445	Arm Idler 92 CRD
8	850857	Bolt 3/8-24 x 1.25 Gr8 Patched	56	165723	Spacer Retainer Mower
9	10030600	Washer Lock Hvy 3/8 Unplated	61	165945	Spring Tension Belt
10	140296	Washer Hard Blade Mower vented	67	160932	Knob Rd 3/8-16 Plstc Thds Blk
11	170037	Blade 3-1 Lh 92 CRD	68	165555	Hex-Belt 92 Mower 105AA
13	137645	Shaft Asm. W/Lower Bearing	69	165482	Shaft Asm W/Lwr Brg Rh Thd CRD
14	128774	Housing Mandrel Vented (Machd)	84	156085	Keeper Belt Idler
15	110485X	Bearing Ball Mandrel	116	137644	Bolt Shoulder
16	170038	Blade 3-1 Rh 92 CRD	117	133957	Wheel Gage Donut Wide
17	72140610	Bolt Carriage 3/8-16 x 1-1/4	118	73930600	Nut Centerlock 3/8-16 Unc
18	72110608	Bolt Rdhd Sqnk 3/8-16 x 1 Gr5	119	19121414	Washer 3/8 x 7/8 x 14 Ga.
19	132827	Bolt Shoulder 5/16-18 Thd Form	124	72110612	Bolt Carr Sh 3/8-16 x 1-1/2 Gr5
20	165484	Bolt 3/8-24 x 1.25 Gr8 Ptch Lhthd	130	72110506	Bolt Rdhdsqnk 5/16-18 Unc x 3/4
21	73680500	Nut Crown Lock 5/16-18	131	165661	Chute Bagger CRD 92cm
22	165243	Bracket Idler Sprt RR 92 CRD	151	169670	Bracket Clutch Cable
23	165446	Bracket Idler Sprt RF 92 CRD	152	176074	Cable Clutch CRD Service
24	165242	Bracket Suspension LF 92 CRD	153	169674	Washer Flat 3/8" Type B
25	165244	Bracket Suspension RF 92 CRD	154	169675	Spring Retainer
26	165237	Brace Support Susp Frt CRD	155	169671	Spring Retention Lvr Clutch Cable
27	165568	Bracket Asm. Susp RR 92 CRD	156	169672	Spacer Clutch Cable
28	165567	Bracket Asm. Susp LR 92 CRD	157	169669	Rod Clutch Cable 3/8"
30	157722	Screw Thd Rolling Washer Head	158	17720410	Screw Hex Thd Cut 1/4-20 x 5/8
31	129963	Washer Spacer Mower Vented	--	130794	Mandrel Asm Service
32	153531	Mandrel Pulleys 36 & 46	--	165579	Mandrel Asm CRD Lh Threads SVC
33	137266	Nut Flg Top Lock Cntr B 9/16	--	173549	Deck Mower Complete
34	165239	Bracket Gauge Wheel Lf 92 CRD			
35	165238	Bracket Gauge Wheel Rf 92 CRD			
36	146763	Pulley Idler V-Groove Dim 4.25			

NOTE: All component dimensions given in U.S. inches
1 inch = 25.4 mm

REPAIR PARTS

TRACTOR- MODEL NO. BL15536RBH (BL15536RBHB), PRODUCT NO. 954 56 68-74
BAGGER



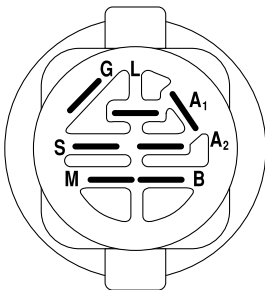
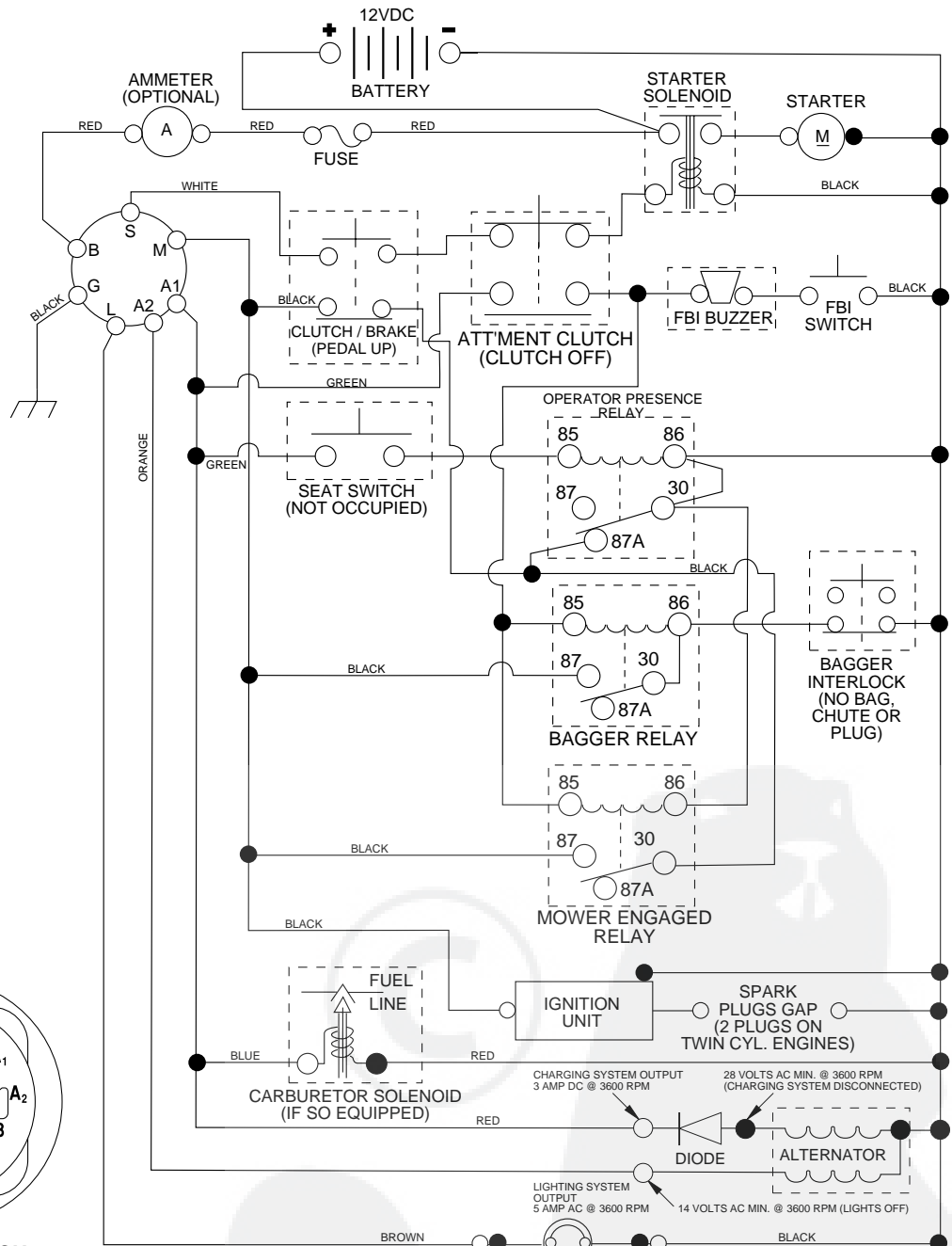
REPAIR PARTS

TRACTOR- MODEL NO. BL15536RBH (BL15536RBHB), PRODUCT NO. 954 56 68-74
BAGGER

KEY NO.	PART NO.	DESCRIPTION
1	170690	Tube Handle Bagger CRD
2	72140416	Bolt Carriage 1/4-20 x 2.0 Gr.5
3	123976X	Nut Lock 1/4 Lge Flg Gr. 5 Zinc
4	169916	Handle Bagger w/lvrs Blk CRD
5	74981024	Screw Pan Head #10-24 x 1.50 Blk
6	74981032	Screw Pan Hd
7	73401000	Nut Wiz Lock Hex Serr Hd 10-24
8	165715X421	Cover Bagger Plastic CRD
9	72140418	Bolt Carriage 1/4-20 x 2.25d x Gr.5
10	169688	Tube Support Bagger CRD
11	165719	Bracket Support Upper Bag CRD
12	169685	Bracket Horiz Adj Bagger Lh CRD
13	72110606	Bolt Rdhd Sht Sqnk 3/8-16 x 3/4
14	74520640	Bolt Hex 3/8-16 x 2-1/2 Gr.5
15	4939M	Retainer Spring
16	73900600	Nut Lock Flg 3/8-16 Unc
17	72140506	Bolt Rdhd Sht Sqnk 5/16 -18 Unc x 3/4
18	19111216	Washer 11/32 x 3/4 x 16 Ga.
19	73900500	Nut Lock Hex Flange 5/16-18
20	169684	Bracket Horiz Adj Bagger RH CRD
21	165780	Bag Asm CRD
22	165781	Bracket Side Bagger CRD
23	165782	Tube Upper Bagger CRD
24	165783	Tube Pivot Bagger CRD
25	165784	Tube Front Bagger CRD
26	165785	Tube Lower Bagger CRD
27	169692	Bushing Snap Bagger CRD
28	170696	Grip Handle Black
31	4497H	Retainer Spring 1" Zinc/Cad
32	126875X	Rivet Rd Hd Drilled 3/8 Dia
33	165571	Plug Mulcher
34	165570	Handle Mulcher
35	165572	Pin Mulcher 92/107 CRD
36	19132016	Washer 13/32 x 1-1/4 x 16Ga
37	175401	Plug Support Bagger CRD
38	72010520	Bolt 5/16-18 x 2.50
39	169999	Seal 26" (Long)
40	170000	Seal 7" (Short)
41	169683	Bracket Vert Adj Bggr CRD
42	73800500	Nut Lock Hex W/Ins 5/16-18 Unc PI

NOTE: All component dimensions given in U.S. inches
1 inch = 25.4 mm

TRACTOR- MODEL NO. BL15536RBH (BL15536RBHB), PRODUCT NO. 954 56 68-74 SCHEMATIC



IGNITION SWITCH

POSITION	CIRCUIT	"MAKE"
OFF	M+G+A1	NONE
RUN/LIGHT	B+A1	A2+L
RUN	B+A1	NONE
START	B+S+A1	NONE

WIRING INSULATED CLIPS
NOTE: IF WIRING INSULATED CLIPS WERE REMOVED FOR SERVICING OF UNIT, THEY SHOULD BE REPLACED TO PROPERLY SECURE YOUR WIRING.

● NON-REMOVABLE CONNECTIONS

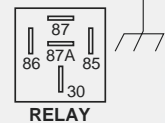
○ REMOVABLE CONNECTIONS

PTO SWITCH

POSITION	CIRCUIT
OFF	C+G,B+H
ON	C+F,B+E,A+D

HEADLIGHTS

NOTE
YOUR TRACTOR IS EQUIPPED WITH A SPECIAL ALTERNATOR SYSTEM. THE LIGHTS ARE NOT CONNECTED TO THE BATTERY, BUT HAVE THEIR OWN ELECTRICAL SOURCE. BECAUSE OF THIS, THE BRIGHTNESS OF THE LIGHTS WILL CHANGE WITH ENGINE SPEED. AT IDLE THE LIGHTS WILL DIM. AS THE ENGINE IS SPEEDED UP, THE LIGHTS WILL BECOME THEIR BRIGHTEST.



RELAY

