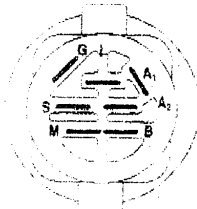
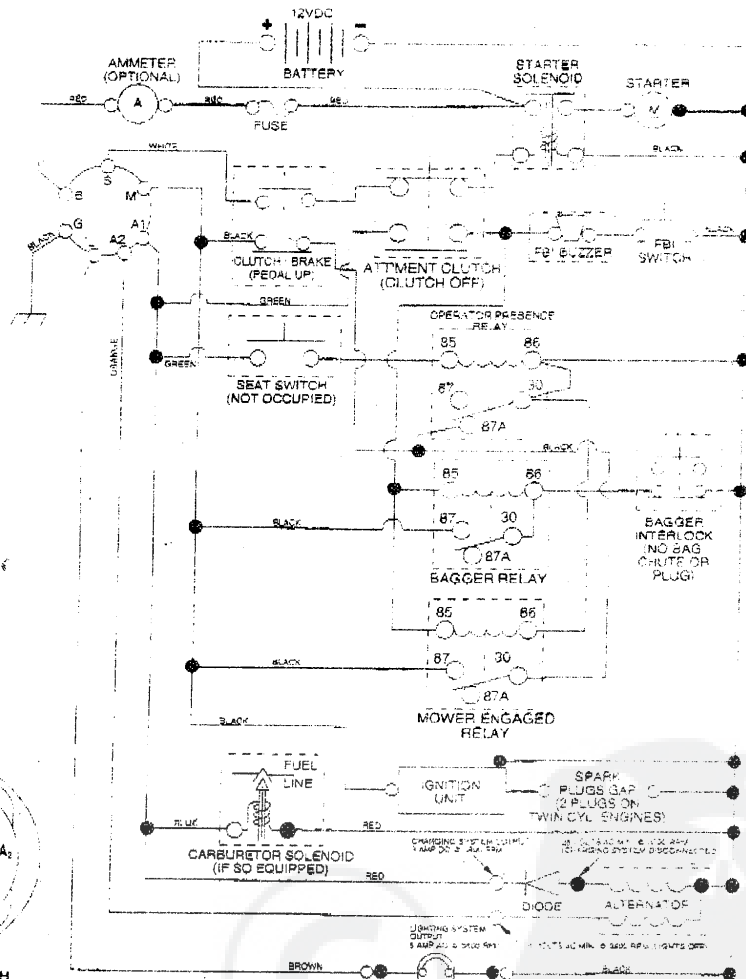


# REPAIR PARTS

## TRACTOR- -MODEL NO. Y155H107RBA

### SCHEMATIC



**IGNITION SWITCH**

POSITION	CIRCUIT	"MAKE"
OFF	M-G-A1	NONE
RUN/LIGHT	B-A1	A2-L
RUN	B-A1	NONE
START	B-S-A1	NONE

**WIRING INSULATED CLIPS**  
NOTE: IF WIRING INSULATED CLIPS WERE REMOVED FOR SERVICING OF UNIT, THEY SHOULD BE REPLACED TO PROPERLY SECURE YOUR WIRING.

NON-REMOVABLE CONNECTIONS

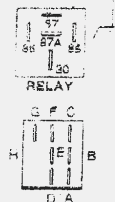
REMOVABLE CONNECTIONS

**PEDESTAL SWITCH**

POSITION	CIRCUIT
OFF	C-G-B-H
ON	F-B-E-A-D

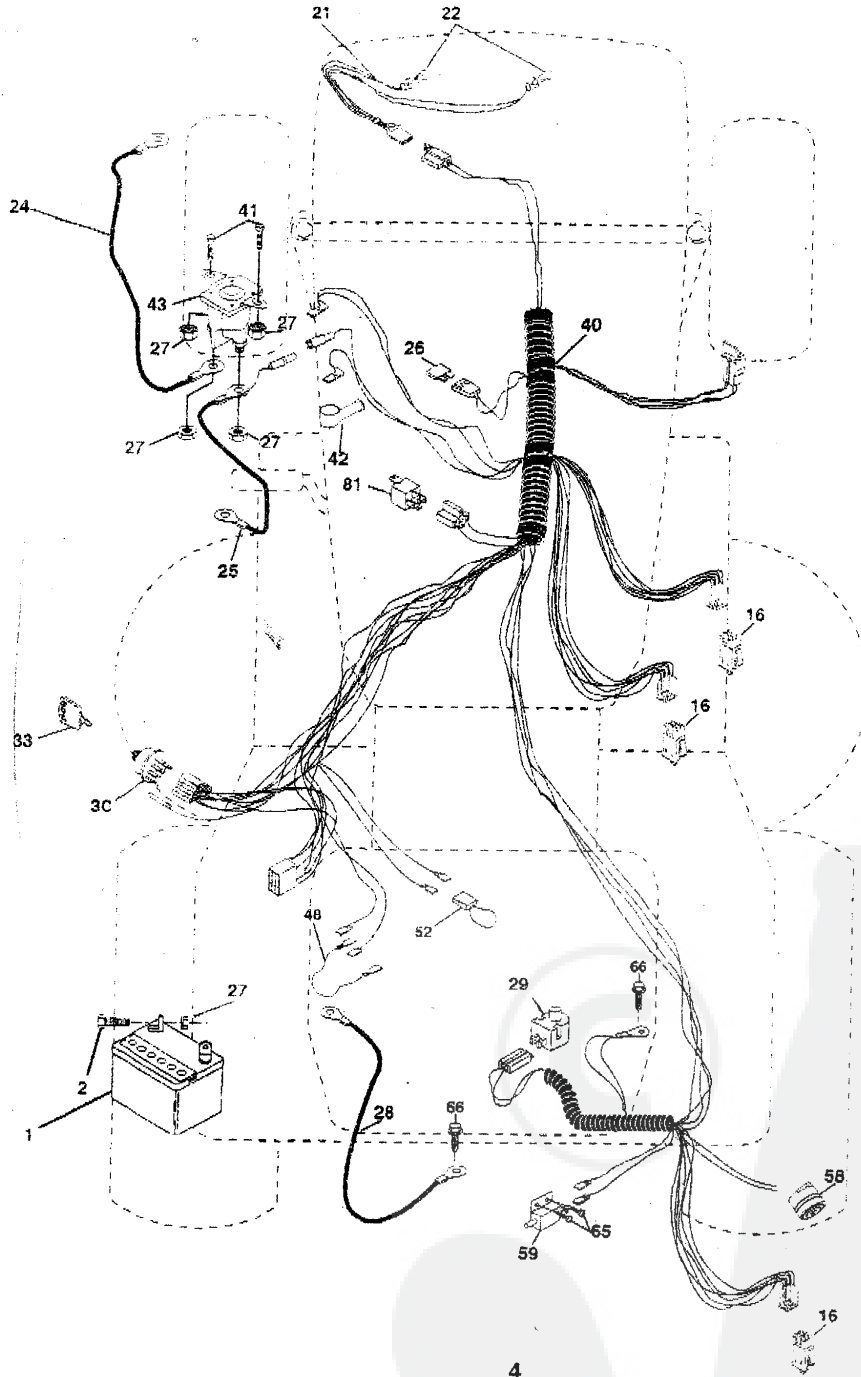
**HEADLIGHTS**

**NOTE**  
YOUR TRACTOR IS EQUIPPED WITH A SPECIAL ALTERNATOR SYSTEM. THE LIGHTS ARE NOT CONNECTED TO THE BATTERY, BUT HAVE THEIR OWN ELECTRICAL SOURCE. BECAUSE OF THIS, THE BRIGHTNESS OF THE LIGHTS WILL CHANGE WITH ENGINE SPEED. AT IDLE THE LIGHTS WILL DIM. AS THE ENGINE IS SPEEDED UP, THE LIGHTS WILL BECOME THEIR BRIGHTEST.



**TRACTOR- -MODEL NO. Y155H107RBA**

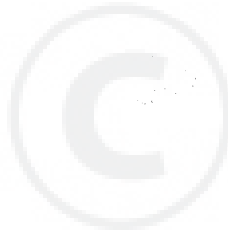
**ELECTRICAL**



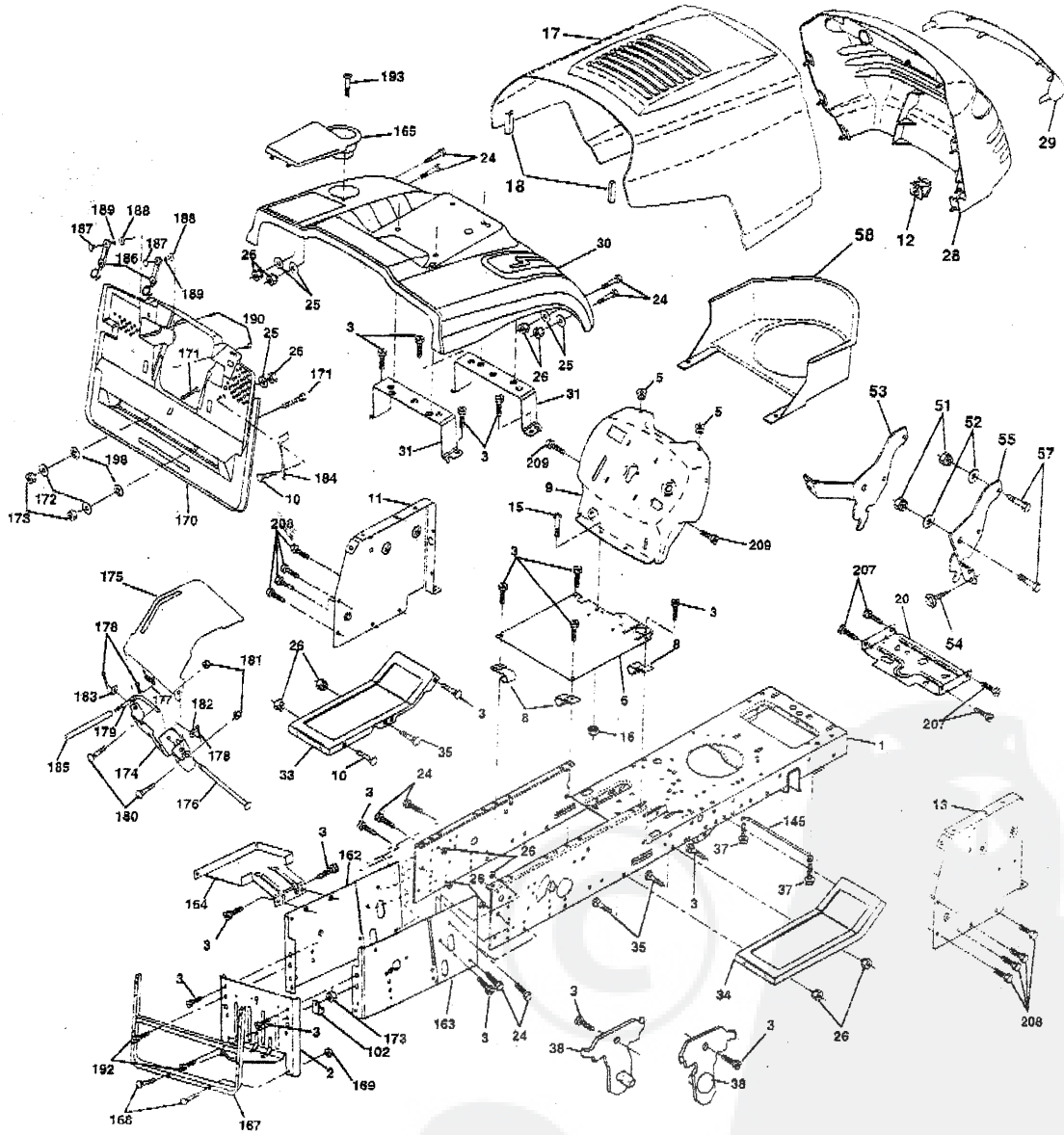
**REPAIR PARTS****TRACTOR- -MODEL NO. Y155H107RBA****ELECTRICAL**

KEY NO.	PART NO.	DESCRIPTION
1	144925	Battery 12 Volt 25 AMP Wet
2	74760412	Bolt Hex Hd 1/4-20 Unc X 3/4
16	153664	Switch Interlock Push-In
21	166181	Harness Asm Light W/4152J
22	4152J	Bulb Light #1156
24	4799J	Cable Battery 6 Ga 11" Red
25	165987	Cable Battery Crd 56" Red
26	166180	Fuse 15 Amp
27	73510400	Nut Keps Hex 1/4-20 Unc
28	127725X	Cable Ground 6Ga 18" Black
29	160784	Switch Plunger Normal Op Olive
30	163968	Switch Ignition
33	140401	Key Ign Molded
40	170164	Harness Ign Crd Normal
41	71110408	Bolt Flk Fin Hex 1/4-20 Unc X 1/2
42	131563	Cover Terminal Red
43	145673	Soleoid
48	140844	Adapter Ammeter Rectangular
52	141940	Protection Wire Loop
58	169419	Buzzer Crd
59	166299	Switch FBI CRD
65	17211008	Screw Siftp #10-16 x 1/2 Ty-Ab
66	17490608	Screw Thdrol 3/8-16 x 1/2 Ty-Tt
81	109748X	Relay Asm

**NOTE:** All component dimensions given in U.S. inches.  
1 inch = 25.4 mm.



**TRACTOR- MODEL NO. Y155H107RBA**  
**CHASSIS AND ENCLOSURES**



**REPAIR PARTS****TRACTOR- -MODEL NO. Y155H107RBA  
CHASSIS AND ENCLOSURES**

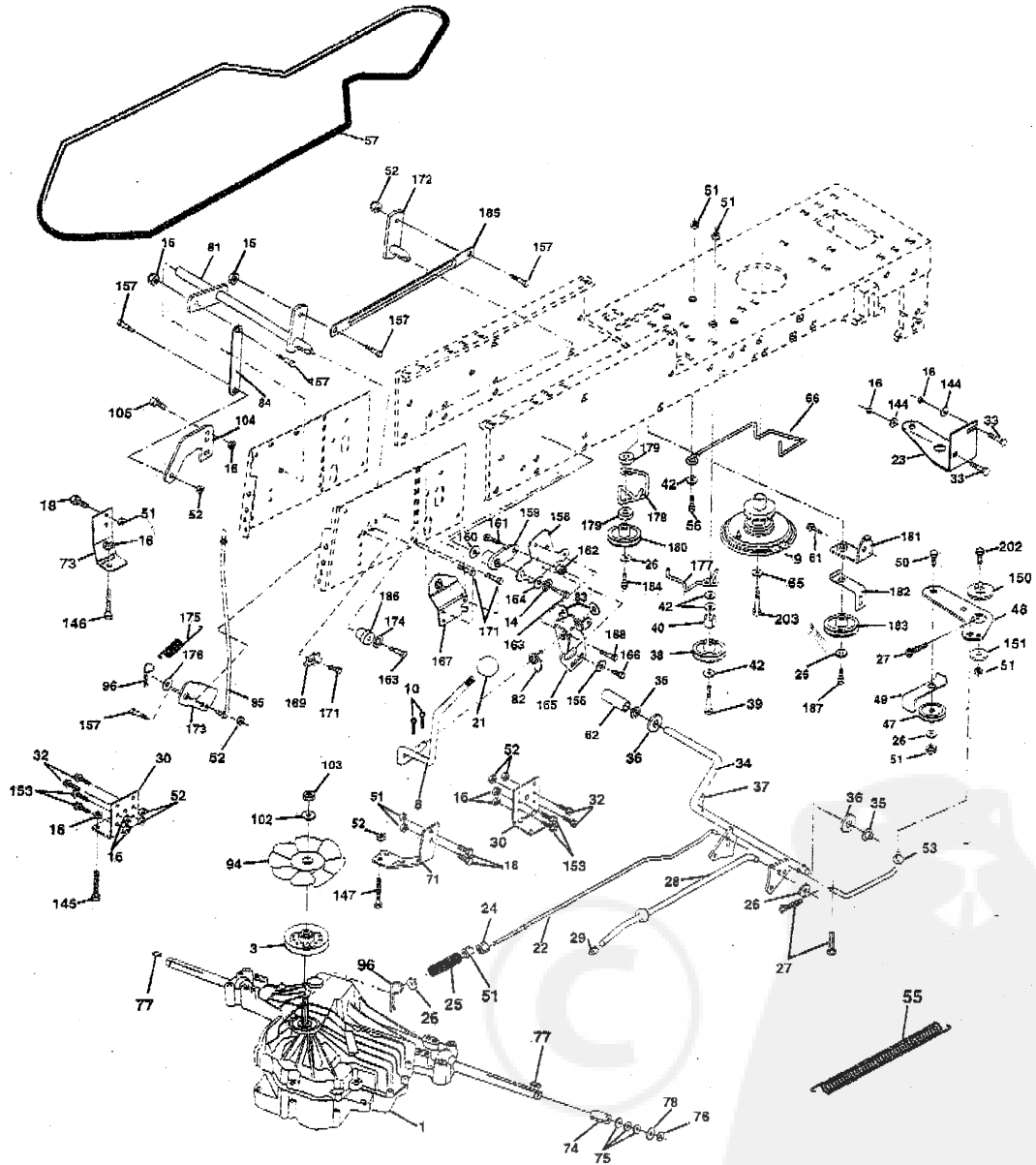
KEY NO.	PART NO.	DESCRIPTION	KEY NO.	PART NO.	DESCRIPTION
1	169831	Chassis Stamping	162	165672	Bracket Exten Chassis Lh CRD
2	165606	Drawbar	163	165673	Bracket Exten Chassis Rh CRD
3	17060612	Screw 3/8-16 x 3/4	164	165605	Support Battery CRD
5	155272	BumperHood/Dash	165	165742X428	Cover Battery CRD Lt
6	155923	Saddle	167	165779	Support Asm. Backplate WLDMNT
8	126471X	Clip Insulator 13/32 Mtg. Hole	168	72050412	Bolt, RDHD SHT NK 1/4-20 x 1-1/2
9	168347X011	Dash	169	123976X	Nut, Lock 1/4 LGE FLG Gr. 5 Zinc
10	72140608	Bolt, Carriage 3/8-16 x 3/4	170	165607	Cover, Backplate Plastic Black
11	155927	Panel, Dash, L.H.	171	74520640	Bolt Hex 3/8-16 x 2-1/2 Gr 5
12	145660	Clip Tinnerman Grille P/L	172	19132016	Washer 13/32 x 1-1/4 x 16 Ga.
13	172107X010	Panel, Asm. Dash R.H.	173	73510600	Nut, Keps Hex 3/8-16 UNC
15	74180512	Screw, Machine, Truss Head 5/16-18 UNC x 3/4	174	165939	Bracket Switch FBI CRD
16	73510500	Nut	175	166212	Guard Door Rear CRD
17	159639X505	Hood Assembly	176	128600	Pin Hinge Pivot
18	126938X	BumperHood	177	132796	Spring Bagger Top LH Black
20	156437	Plate Mtg. Battery/Fuel Tank	178	76020312	Pin Cotter 3/32 x 3/4 Cad Zinc
24	74780616	Bolt	179	165942	Rod Pivot FBI CRD
25	19131312	Washer 13/32 x 13/16 x 12 Gauge	180	74760516	Bolt Hex HD 5/16-18 UNC x 1
26	73800600	Nut	181	73680500	Nut Crownlock 5/16-18
28	157373	Grille PL	182	139200	Washer .385 x .625 x 11 Ga.
29	140273X599	Lens, Grille	183	19131316	Washer 13/32 x 13/16 x 16 Ga.
30	165713X505	Fender	184	166139	Bracket Actuator Bagger CRD
31	165155	Bracket, Fender Support	185	165940	Tube Lever Switch FBI CRD
32	145244X505	Footrest, L.H.	186	160793	Latch Asm Mulch/Bagger
34	145243X505	Footrest, R.H.	187	2029J	Nut Weld
35	72110606	Bolt	188	19061216	Washer #10
37	17490508	Screw Thdrol 5/16-18 x 1/2 TYT	189	10071000	Washer Lock #10
38	169834	Bracket Asm Pivot Mower Rear	190	71161010	Washer Truss Hd Phil 10-24 x 5/8
51	73800400	Nut Lock w/Insert 1/4-20 UNC	192	17490624	Screw Thdrol 3/8-16 x 1-1/2
52	19091416	Washer 9/32 x 7/8 x 16 Ga.	193	17070412	Screw Truss 1/4-20 x 3/4 Tap/R
53	144667	Bracket Grille LH	198	168937	Nut, Push
54	161464	Screw Hex Wshd 8-18 x 7/8	207	17670508	Screw Thdrol 5/16-18 x 1/2
55	144696	Bracket Grille RH	208	17670608	Screw Thdrol 3/8-16 x 1/2
57	74780412	Bolt, Fin Hex 1/4-20 UNC x .75	209	17000612	Screw Hexwsh Thdr 3/8-16 x 3/4
58	150127	Duct Air Engine PL/LT	212	156229	Insert Len Reflect
102	2751R	Clip Line Fuel 13/32 Mtg. Hole	--	5479J	Plug, Button
145	156524	Rod Pivot Chassis/Hood			

**NOTE:** All component dimensions given in U.S. inches.  
1 inch = 25.4 mm.

# REPAIR PARTS

## TRACTOR- -MODEL NO. Y155H107RBA

### DRIVE



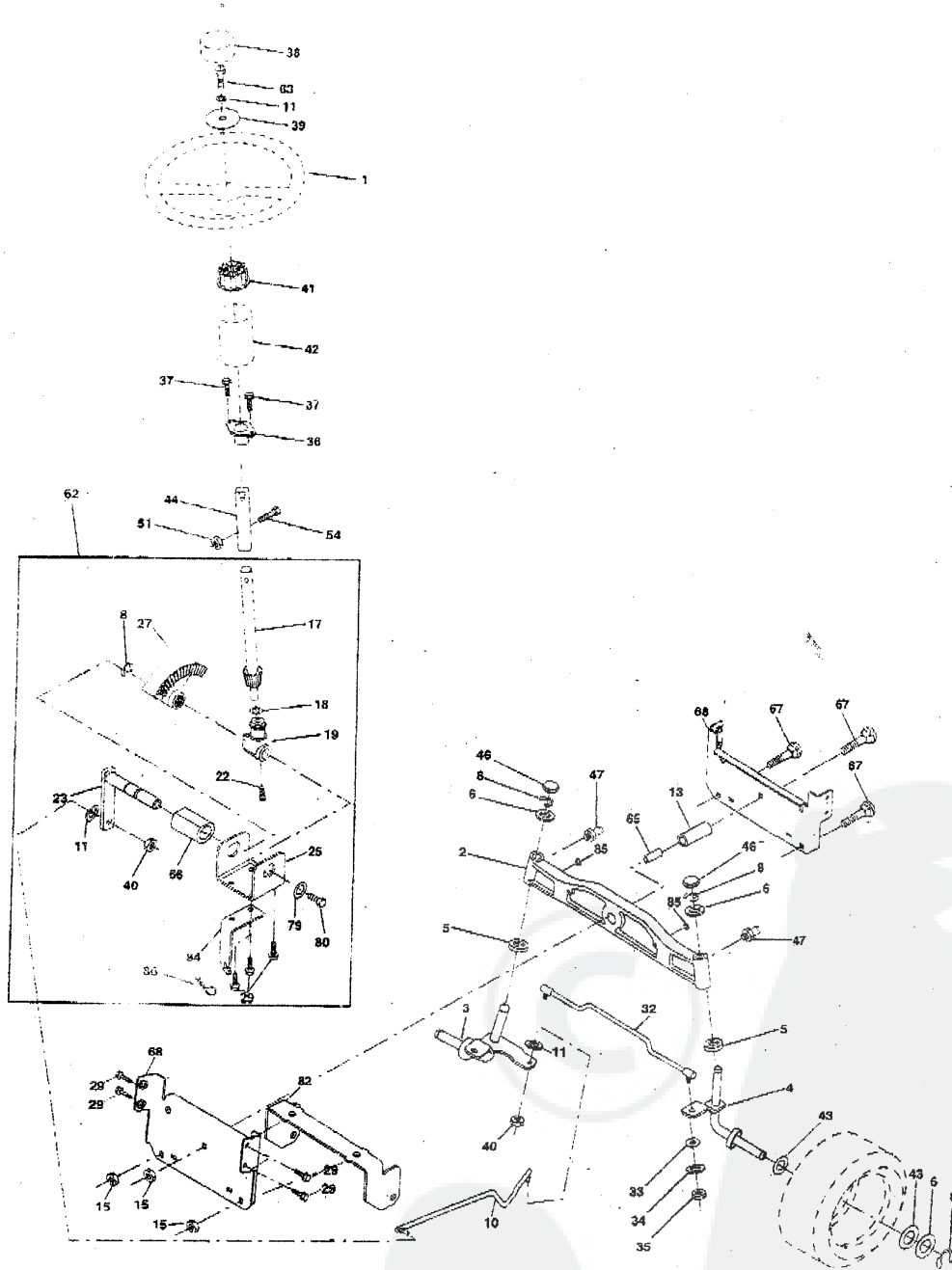
**TRACTOR- -MODEL NO. Y155H107RBA**

**DRIVE**

KEY NO.	PART NO.	DESCRIPTION	KEY NO.	PART NO.	DESCRIPTION
1	-----	Transaxle Hydro Gear 331-0650 (Order parts from transaxle manufacturer)	82	123782X	Spring, Torsion
3	143995	Pulley Hydro 0650 Lt/CRD	83	19171216	Washer 17/32 x 3/4 x 16 Ga.
8	165619	Rod, Shift Fender Adjust Lt	84	165629	Link, Transaxle
9	170163	Clutch Asm Noram	94	140462	Fan 7"
10	76020416	Pin, Cotter 1/8 x 1	95	165935	Control Asm Bypass Hydro
14	10040400	Washer, Lock Hvy Helical	96	4497H	Spring, Retainer 1"
16	73800500	Nut, Lock Hex w/Ins 5/16-18 UNC	102	141322	Washer, Bellville .50ID x 1.50D
18	74780616	Bolt Hex 3/8-16 UNC x 1 Gr.5	103	73940800	Nut, Hex Jam Toplock 1/2-20 UNF
21	106933X	Knob Round 1/2-13 UNC	104	140156	Arm, Control Hydro
22	165688	Rod, Brake CRD 0650	105	71070516	Screw Cap Hex 5/16 x 18 Unc-1
23	170017	Bracket Clutch Noram	144	19111016	Washer 11/32 x 5/8 x 16 Ga
24	73350600	Nut	145	74490540	Bolt Hex FGHD 5/16-18 x Gr 5
25	106888X	Spring, Rod, Brake	146	74490536	Bolt Hex FLGHD 5/16-18 x 2-1/4
26	19131316	Washer 13/32 x 13/16 x 16 Ga.	147	74490524	Bolt Hex FLGHD 5/16-18 x 1-1/2
27	76020412	Pin, Cotter 1/8 x 3/4	150	165850	Bushing, Bellcrank Grnd Dr
28	145204	Rod, Parking Brake	151	19133210	Washer 13/32 x 2 x 10 Ga.
29	124236X	Cap, Parking Brake	153	74760516	Bolt Hex Hd 5/16-18 Unc x 1
30	169592	Bracket, Mfg, Transaxle	156	166002	Washer Srted 5/16ID x 1.125
32	74760512	Bolt Hex 5/16-18 UNC x 3/4	157	153236	Bolt Shoulder 5/16-18 Unc 2A
33	72140506	Bolt Rdhd Sqnk 5/16-18 Unc x 3/4	158	165589	Bracket Shift Mount
34	165496	Shaft, Asm Pedal Foot CRD	159	165494	Hub Tapered Flange Shift Lt
35	120183X	Bearing, Nylon	160	19292016	Washer 29/32 x 1-1/4 x 16 Ga.
36	19211616	Washer 21/32 x 1 x 16 Ga.	161	72140406	Bolt Rdhd Sqnk 1/4-20 x 3/4 Gr 5
37	1572H	Pin, Roll 3/16 x 1"	162	73680400	Nut Crownlock 1/4-20 Unc
38	165936	Pulley Flat Composite 3.06"	163	74780416	Bolt Hex Fin 1/4-20 Unc x 1 Gr 5
39	74760644	Bolt Rdhd 3/8-16 x 2-3/4 Gr.5	164	19091010	Washer 5/8 x .281 x 10 Ga.
40	4470J	Spacer, Split 395 x 59 Bzp	165	165623	Bracket Pivot Lever
42	19131312	Washer 13/32 x 13/16 x 12 Ga.	166	166880	Screw 5/16-18 x 5/8
47	127783	Pulley, Idler, V Groove Plastic	167	165588	Bracket Support Shift CRD
48	154407	Bellcrank Clutch Grnd Drv	168	165492	Bolt Shoulder 5/16-18 x .561
49	123205X	Retainer, Belt Style Spring	169	165580	Plate Fastening Lt
50	74760624	Bolt Hex Hd 3/8-16 UNC x 1-1/2	171	17490608	Screw Thdrol 3/8-16 x 1/2 Ty-Tt
51	73680600	Nut, Crownlock 3/8-16 UNC	172	165587	Shaft Asm Shifter Frt CRD 0650
52	73680500	Nut Crownlock 5/16-18	173	165934	Bracket Hydro Bypass CRD
53	105710X	Link, Clutch 7.66	174	10090400	Washer Lock 1/4
55	105709X	Spring, Return, Clutch	175	165931	Spring Bypass CRD
56	74760620	Bolt, Hex 3/8-16 UNC x 1-1/4	176	19070816	Washer 7/32 x 1/2 x 16 Ga
57	165632	V-Belt Key 112" 0650 CRD	177	165932	Keeper Flat Idler 3.06" CRD
61	17060612	Screw 3/8-16 x 3/4	178	165933	Keeper Belt Idler 1.88" CRD
62	8883R	Cover, Pedal	179	120958X	Washer Sintered
65	10040700	Washer	180	165630	Pulley, Idler, Flat 1.88"CRD
66	154778	Keeper, Belt Engine F-Proof	181	165797	Bracket Idler Ground Drive CRD
71	140158	Strap, Torque, Lh	182	165634	Keeper Belt 2.5" Od V-Idler CRD
73	156347	Strap, Torque, Rh	183	165626	Pulley V-Idler 2.50" Od CRD
74	121199X	Spacer, Split	184	17490644	Screw Hexwsh Thdrol 3/8-16 x 2-3/4
75	121749X	Washer 25/32 x 1-1/4 x 16 Ga.	185	165541	Link Shift CRD Hydro 0650
76	12000001	Ring, E	186	165614	Hub Tapered Round CRD
77	123583X	Key, Square	187	17490620	Screw Thdrol 3/8-16 x 1-1/4 TT
78	121748X	Washer 25/32 x 1-5/8 x 16 Ga.	202	72110612	Bolt Carr 3/8-16 x 1-1/2 Gr5
81	165585	Asm, Shaft	203	71170780	Bolt Hex 7/16-20 x 5

**NOTE:** All component dimensions given in U.S. inches  
 1 inch = 25.4 mm

**TRACTOR- -MODEL NO. Y155H107RBA**  
**STEERING ASSEMBLY**



10



**REPAIR PARTS****TRACTOR- -MODEL NO. Y155H107RBA****STEERING ASSEMBLY**

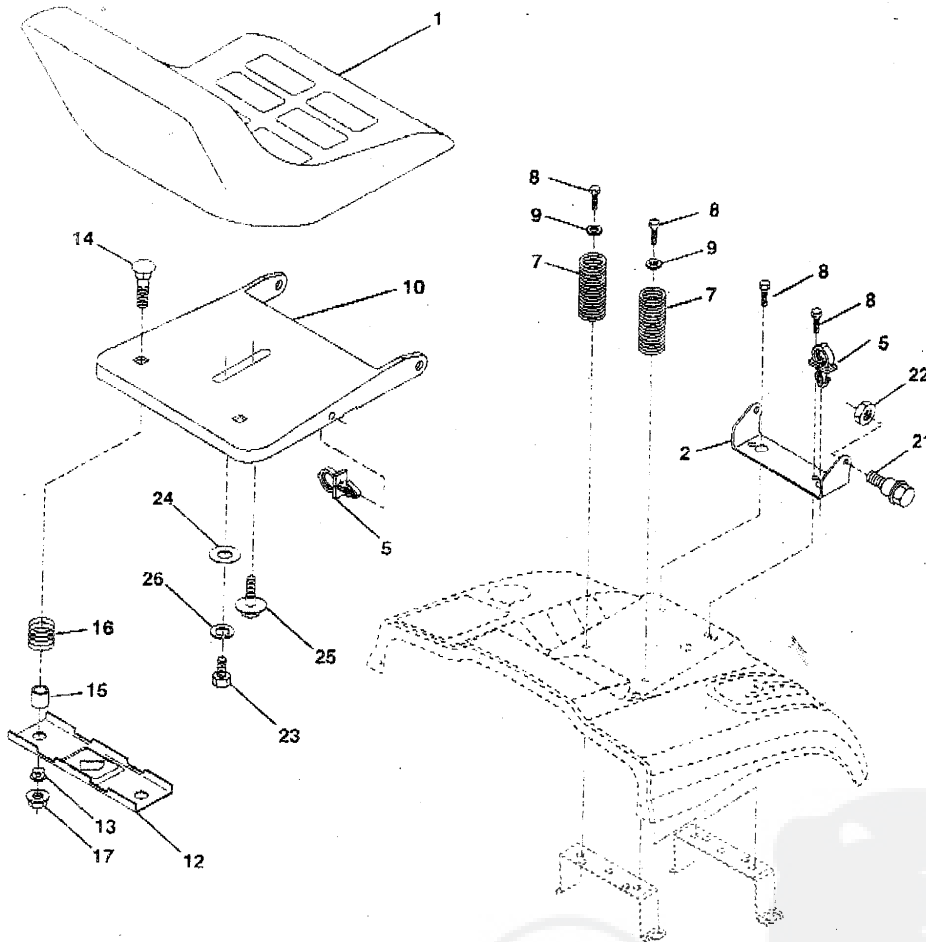
KEY NO.	PART NO.	DESCRIPTION
1	133741	Steering Wheel
2	165854	Cast Lt Machined
3	169840	Spindle Assembly, L.H.
4	169839	Spindle Assembly, R.H.
5	6266H	Washer, Thrust .75 x 1 230
6	121748X	Washer 25/32 x 1-5/8 x 16 Gauge
8	12000029	Ring, Klip
10	169832	Link, Drag
11	10040600	Washer, Lock
13	136518	Spacer Brg Axle Front
15	145212	Nut, Hex Flange Lock
17	156546	Shaft Assembly, Steering
18	57079	Washer, Thrust .515 x .750 x .033
19	160395	Support, Shaft
22	165857	Screw Hex Wshhd Torx
23	165851	Pittman Shaft Assembly
25	154406	Bracket, Steering
27	136874	Gear, Sector
29	17060612	Screw 3/8-16 x 3/4
32	170162	Rod, Tie
33	19111216	Washer 11/32 x 3/4 x 16 Ga
34	10040500	Washer Lock Hvy Hlcl Spr 5/16
36	73810500	Locknut 5/16-24 Unf
36	155099	Bushing, Steering
37	152927	Screw TT #10-32 x 5 x 3/8 Flange
38	133742	Cap Wheel Steering
39	19133812	Washer 13/32 x 2-3/8 x 12 Gauge
40	7810H	Nut Lock Center 3/8-24 Unf
41	100711L	Adaptor, Steering Wheel
42	145054X428	Boot, Steering Dash P/L Mtl
43	121749X	Washer 25/32 x 1-1/4 x 16 Gauge
44	153720	Extension Steering Non-Adjust
46	121232X	Cap, Spindle
47	6855M	Fitting, Grease
51	73800500	Nut Lock Hx W/Ins 5/16-18 UNC
54	74780520	Bolt Fin Hex 5/16-18 UNC x 1-1/4
62	167902	Kit, Steering Assembly, Service
63	74780616	Bolt Fin Hex 3/8-16 unc. x 1 Gr. 5
65	160367	Spacer Brace Axle
66	154404	Bearing Arm Pittman
67	72140618	Bolt Rdhd Sqnk 3/8-16unc x 2-1/4
68	169827	Brace Axle
79	19132012	Washer 13/32 x 1-1/4 x 12 Ga
80	74950612	Bolt Hex Nylon 3/8-16 x 3/4
82	169835	Bracket Susp Chassis Front 15"
84	170016	Bracket Cable Clutch Chassis
85	133835	Fastener Christmas Tree
86	165898	Retainer Spring

**NOTE:** All component dimensions given in U.S. inches.  
1 inch = 25.4 mm.

# REPAIR PARTS

## TRACTOR- -MODEL NO. Y155H107RBA

### SEAT ASSEMBLY



KEY NO.	PART NO.	DESCRIPTION
1	127428	Seat
2	140551	Bracket Pnt Pivot Seat (blk )
5	145006	Clip Push In Hinged
7	124181X	Spring Seat Cprsn 2 250 Blk Zi
8	17000816	Screw 3/8-16 X 1-1/2
9	19131614	Washer 13/32 X 1 X 14 Ga
10	155925	Pan Pnt Seat (blk )
12	121246X	Bracket Pnt Mounting Switch
13	121248X	Bushing Snap Blk Nyl 50 Id
14	72050412	Bolt Rdhd Sht Nk 1/4-20x1-1/2

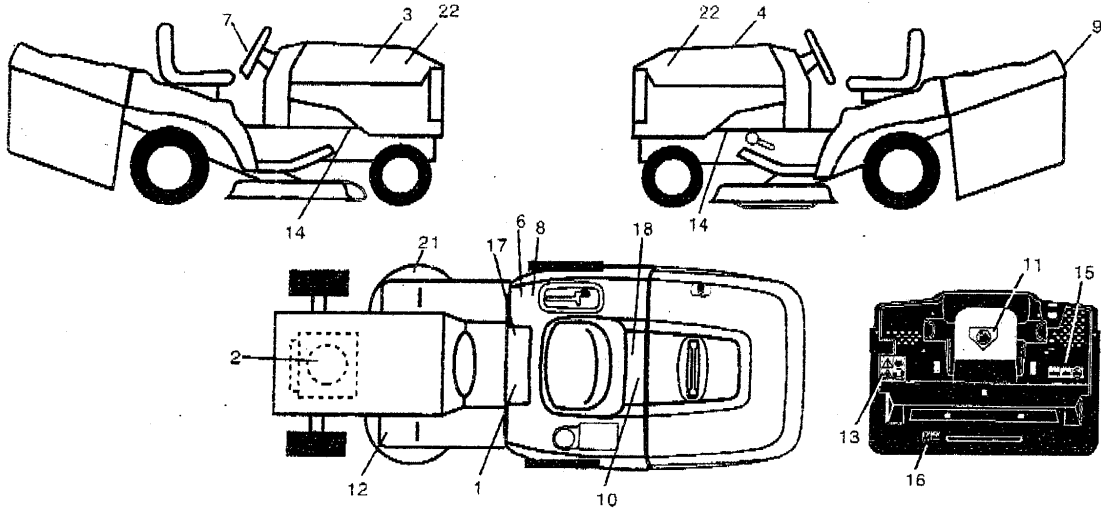
KEY NO.	PART NO.	DESCRIPTION
15	134300	Spacer Split
16	121250X	Spring Cprsn Plate SW 1.310 Ga
17	123976X	Nut Lock 1/4 Lge Fig Gr 5 Zinc
21	171852	Bolt Shoulder 5/16-18 Unc-2A
22	73800500	Nut Hex Lock w/lns 5/16-18
23	74780814	Bolt Fin Hex 1/2-13 x 7/8 Gr 5
24	19171912	Washer 17/32 X 1-3/16 X 12 Ga.
25	127018X	Bolt Shoulder 5/16-18 X 62
26	10040800	Washer Lock Hvy Hlcl Spr 1/2

NOTE: All component dimensions given in U.S. inches.  
1 inch = 25.4 mm

# REPAIR PARTS

## TRACTOR- -MODEL NO. Y155H107RBA

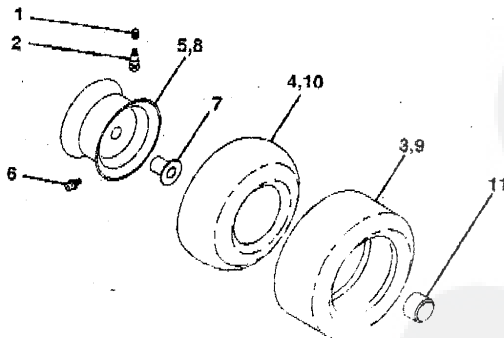
### DECALS



KEY NO.	PART NO.	DESCRIPTION
1	145498	Decal Read Owner's Manual Sym
2	171921	Decal Hp Engine
3	143335	Decal Hood Rh
4	143336	Decal Hood Lh
7	126187X	Decal 100 DBA
7	146987	Decal Ins Strg Whl
8	145437	Decal Europe Stand Ce
9	123689	Decal Fender Logo
10	145005	Decal Bat Dan/Poi P/L Sym Wpn
11	145494	Decal Mower Cut Finger Symbol
12	159737	Decal Brake/Clutch Symbol Lt
13	166959	Decal Warn Back Plate CRD

KEY NO.	PART NO.	DESCRIPTION
14	169736	Decal Chassis Hot Muffler
15	166961	Decal Oper Bag Presence CRD
16	162598	Decal Drawbar Load Limit
17	140837	Decal Saddle Brake Parking
18	166960	Decal Bypass Fender
21	166286	Decal Deck Sch 92 CRD
22	173826	Decal Side Pnl
--	138311	Decal Lift Handle
--	133671	Pad Footrest
--	173831	Manual Operator's (Euro)
--	173845	Manual Parts

### WHEELS & TIRES

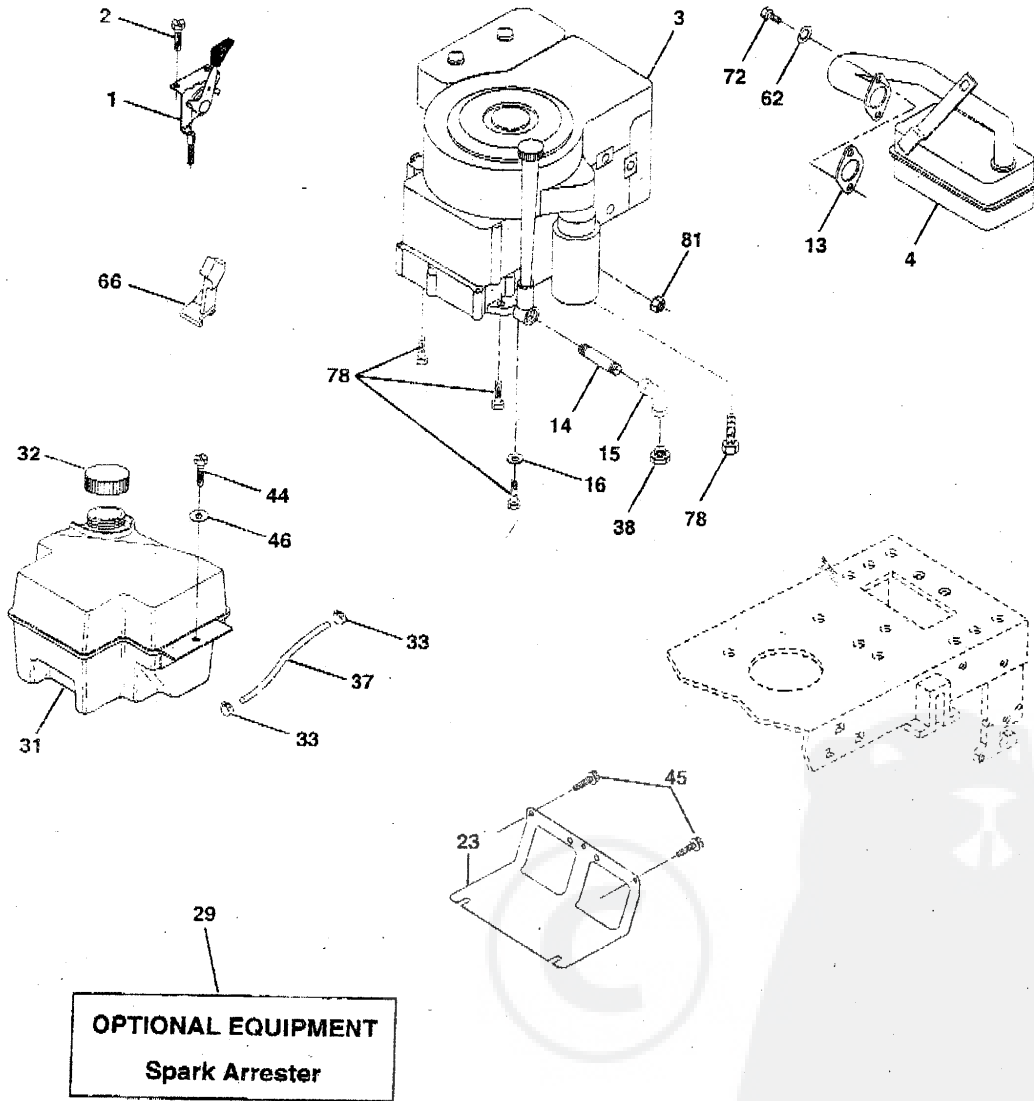


KEY NO.	PART NO.	DESCRIPTION
1	59192	Cap Valve Tire
2	65139	Stem Valve
3	106222X	Tire F Ts 15 X 6 0 - 6 Service
4	59904	Tube Inner Front #35060
5	106732X417	Rim Asm 6"front Service
6	278H	Fitting Grease
7	9040H	Bearing Flange
8	106108X417	Rim Asm 8"rear Service
9	138468	Tire R Ts 20 x 8-8 Service
10	7152J	Tube Rear 9 5 X 8 Service
11	104757X	Cap Axle Bk 1 50 X 1 00
--	144334	Sealant, Tire (10 oz. tube)

**NOTE:** All component dimensions given in U.S. inches  
1 inch = 25.4 mm

**TRACTOR- -MODEL NO. Y155H107RBA**

**ENGINE**



**REPAIR PARTS****TRACTOR- -MODEL NO. Y155H107RBA****ENGINE**

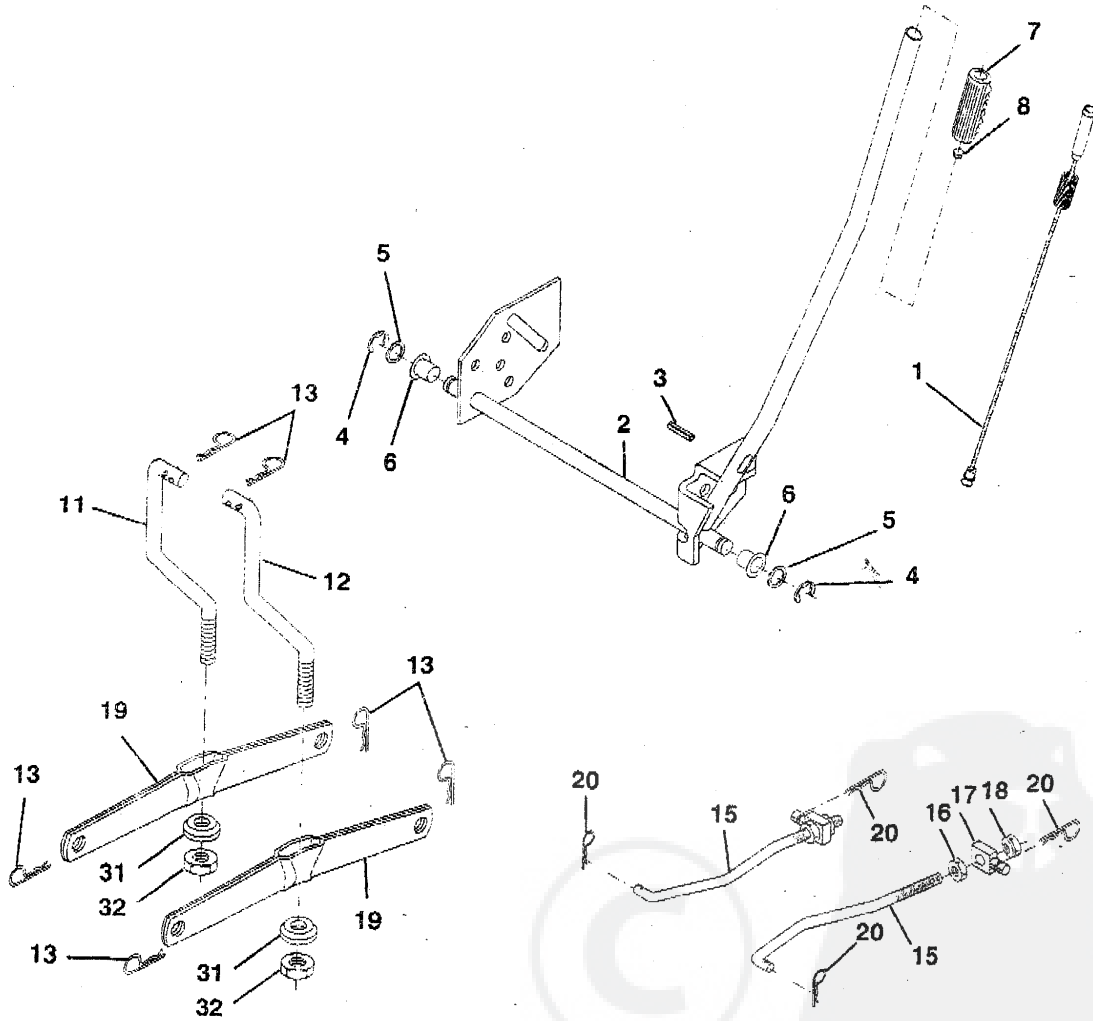
KEY NO.	PART NO.	DESCRIPTION
1	141359	Control Throt /Ch Lh
2	17720410	Screw Hex Thd Cut 1/4-20x5/8 T
3	-----	Engine Briggs Model 28U707 (Order Parts from Engine Manufacturer)
4	137352	Muffler Exhaust B&S Lt
13	165291	Gasket 1 313 Id Tin Plated
14	13260324	Nipple Pipe 3/8 Npt X 3"
15	13200300	Elbow Std 90 Degree 3/8-18 Npt
16	11050600	Washer Lock Ext Tooth 3/8
23	169837	Shield Browning/Debris Guard
29	137180	Arrestor Spark
31	161911	Tank Fuel 2.00 Fr
32	140527	Cap Asm Fuel Top Vent N/Lany
33	123487X	Clamp Hose Blk
37	137040	Line Fuel 20"
38	-----	Plug-Oil Drain (Order From Engine Manufacturer)
44	17670412	Screw Hexwsh Thdrol 1/4-20 x 3/4
45	17000612	Screw Hexwsh Thdr 3/8-16 x 3/4
46	19091416	Washer 9/32 X 7/8 X 16ga
62	10040500	Washer Lock Hvy Hlcl Spr 5/16
66	127951	Stop Throttle 3000 Rpm
72	71070512	Screw Hexhd Cap 5/16-18 x 3/4
78	17060620	Screw 3/8-16x1-1/4
81	73510400	Nut Keps Hex 1/4-20 Unc

**NOTE:** All component dimensions given in U.S. inches  
1 inch = 25.4 mm



**TRACTOR- -MODEL NO. Y155H107RBA**

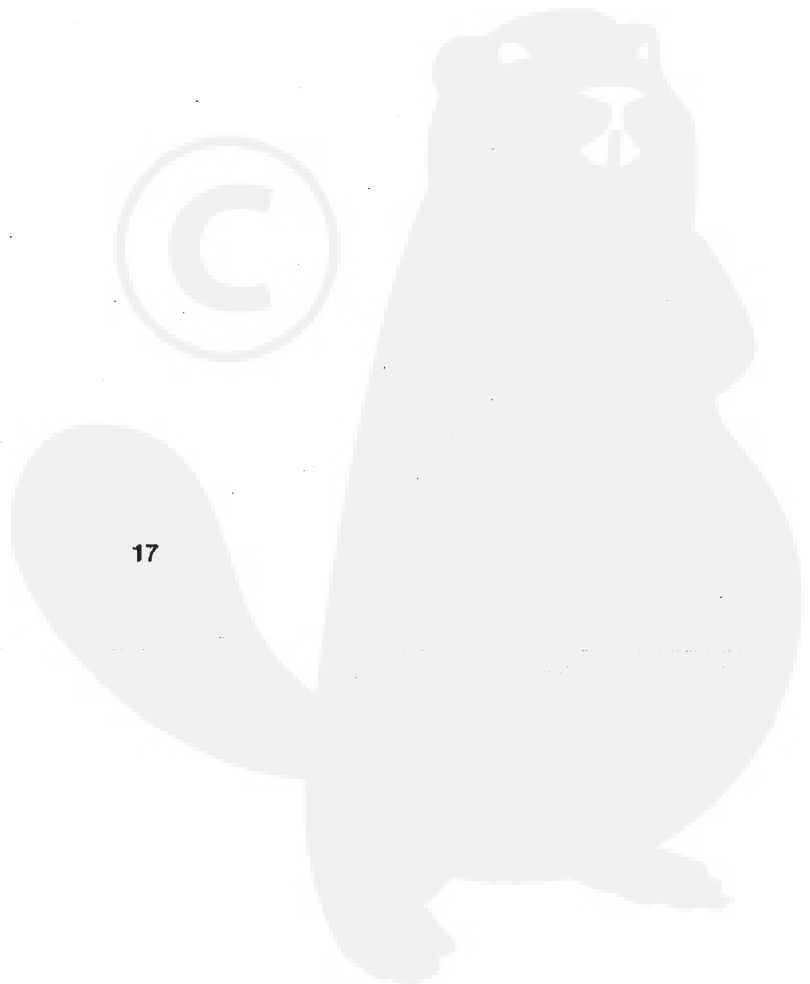
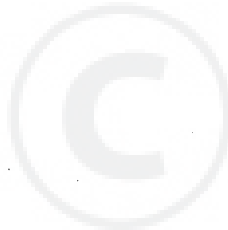
**MOWER LIFT**



**REPAIR PARTS****TRACTOR- -MODEL NO. Y155H107RBA****MOWER LIFT**

KEY NO.	PART NO.	DESCRIPTION
1	159460	Washer Asm Inner Spring W/Plunger
2	159471	Shaft Asm. Lift
3	105767X	Pin Groove
4	12000002	E Ring #5133-62
5	19211621	Washer 21/32 x 1 x 21 Ga.
6	120183X	Bearing Nylon
7	109413X	Grip Handle
8	122365X	Button Plunger
11	165829	Link Asm Lift L.H.
12	165831	Link Asm Lift R.H.
13	4939M	Retainer Spring
15	173288	Link Front
16	73350800	Nut Jam Hex 1/2-13 Unc
17	130171	Trunnion Blk Zinc
18	73800800	Nut Lock w/Wsh 1/2-13 Unc
19	139868	Arm Suspension Mower
20	163552	Retainer Spring
31	140302	Bearing, Pvt. Lift. Spherical
32	73540600	Nut Crownlock 3/8-24

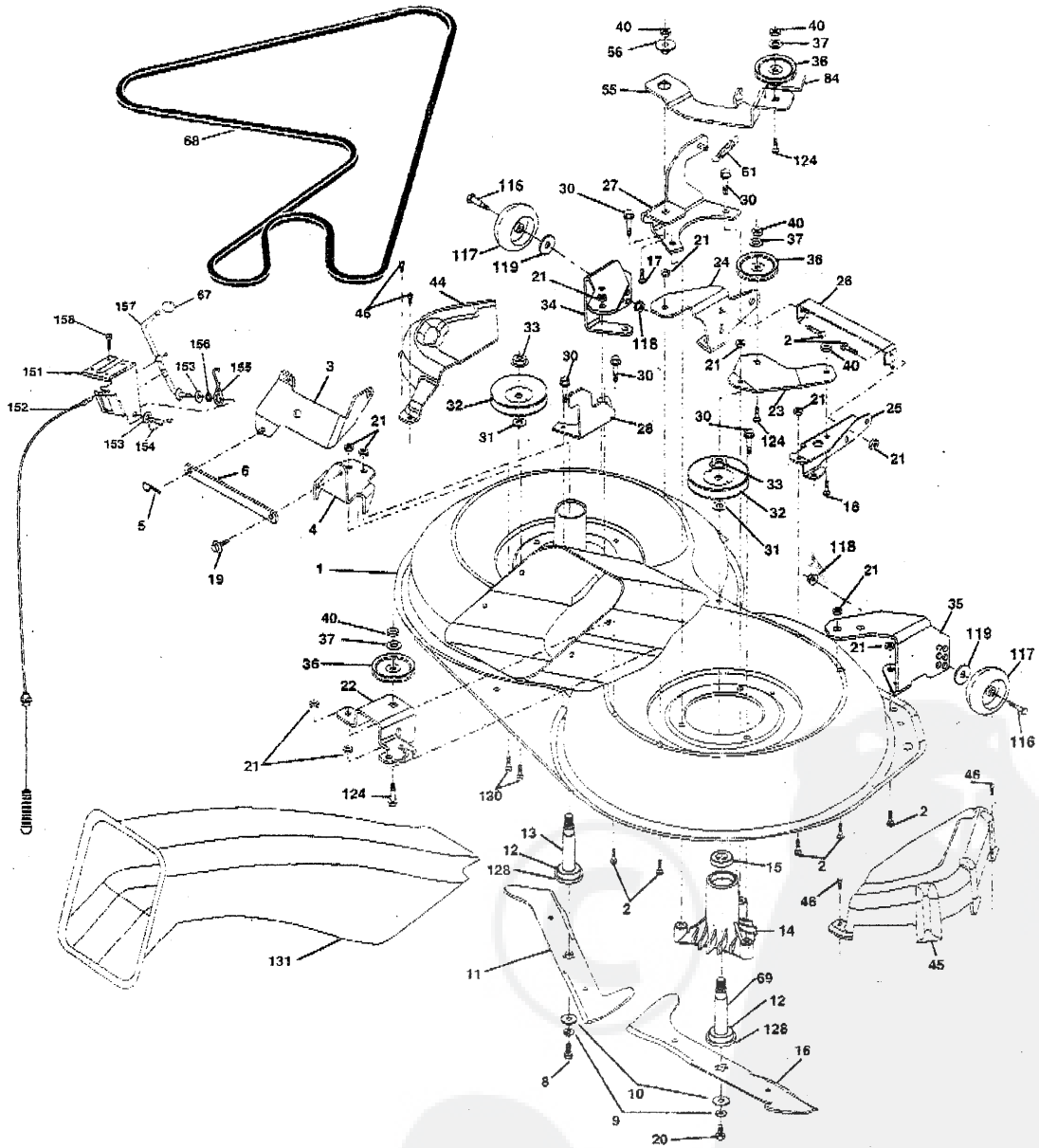
**NOTE:** All component dimensions given in U.S. inches  
1 inch = 25.4 mm



# REPAIR PARTS

## TRACTOR- -MODEL NO. Y155H107RBA

### MOWER





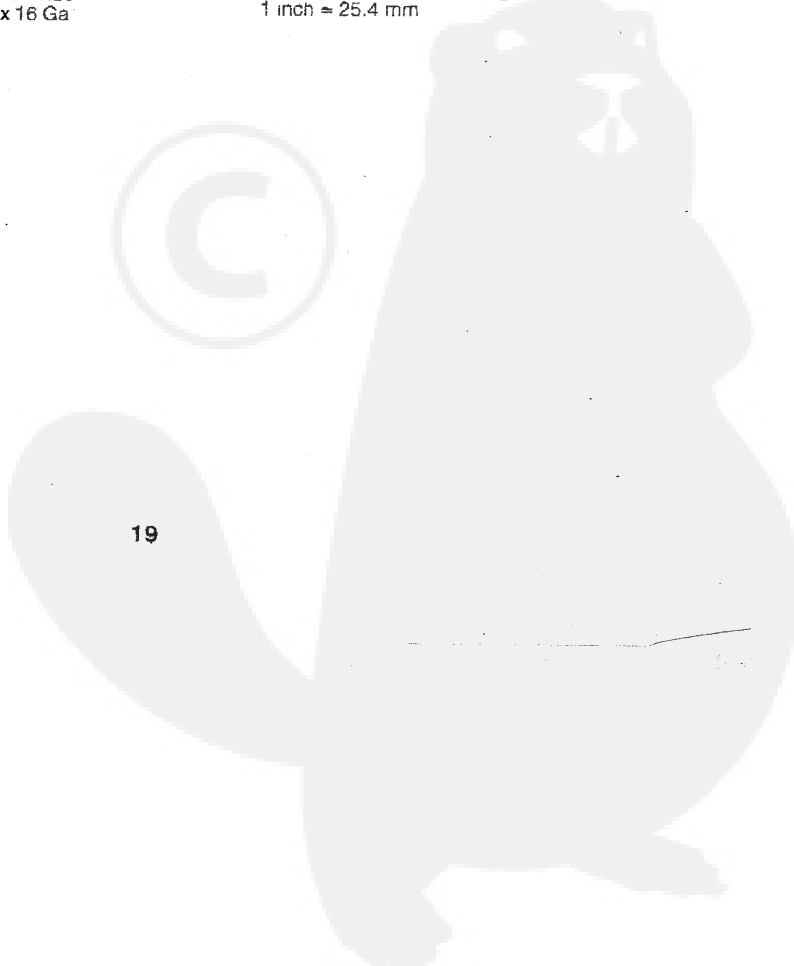
**TRACTOR- -MODEL NO. Y155H107RBA**

**MOWER**

KEY NO.	PART NO.	DESCRIPTION
1	169180	Housing Asm. Mower
2	72140506	Bolt Rdhd Sqnk 5/16-18 Unc x 3/4
3	165589	Bracket Asm. S-Bar Chass
4	169187	Bracket Bar Sway Deck
5	4939M	Retainer Spring
6	165557	Bar Sway
8	850857	Bolt 3/8-24 x 1.25 Gr8 Patched
9	10030600	Washer Lock Hvy 3/8 Unplated
10	140296	Washer Hard Blade Mower vented
11	168720	Blade 3-1 Lh
12	129895	Bearing Ball #6204 (Mandrel)
13	137645	Shaft Asm. W/Lwr Bearing
14	128774	Housing Mandrel Vented (Machd)
15	110485X	Bearing Ball Mandrel
16	168721	Blade 3-1 Rh
18	72110608	Bolt Rdhd Sqnk 3/8-16 x 1 Gr5
19	132827	Bolt Shoulder 5/16-18 Thd Form
20	165484	Bolt 3/8-24 x 1.25 Gr8 Ptch Lhthd
21	73680500	Nut Crown Lock 5/16-18
22	169165	Bracket Idler Sprt RR
23	169166	Bracket Idler Sprt RF
24	169170	Bracket Suspension LF
25	169171	Bracket Suspension RF
26	165237	Brace Support Susp Frt CRD
27	169172	Bracket Asm. Susp RR
28	169168	Bracket Asm. Susp LR
30	157722	Screw Thd Rolling Washer Head
31	129963	Washer Spacer Mower Vented
32	153535	Mandrel Pulleys
33	137266	Nut Flg Top Lock Cntr B 9/16
34	169174	Bracket Gauge Wheel Lf
35	169175	Bracket Gauge Wheel Rf
36	146763	Pulley Idler V-Groove Dim 4.25
37	19131316	Washer 11/32 x 13/16 x 16 Ga

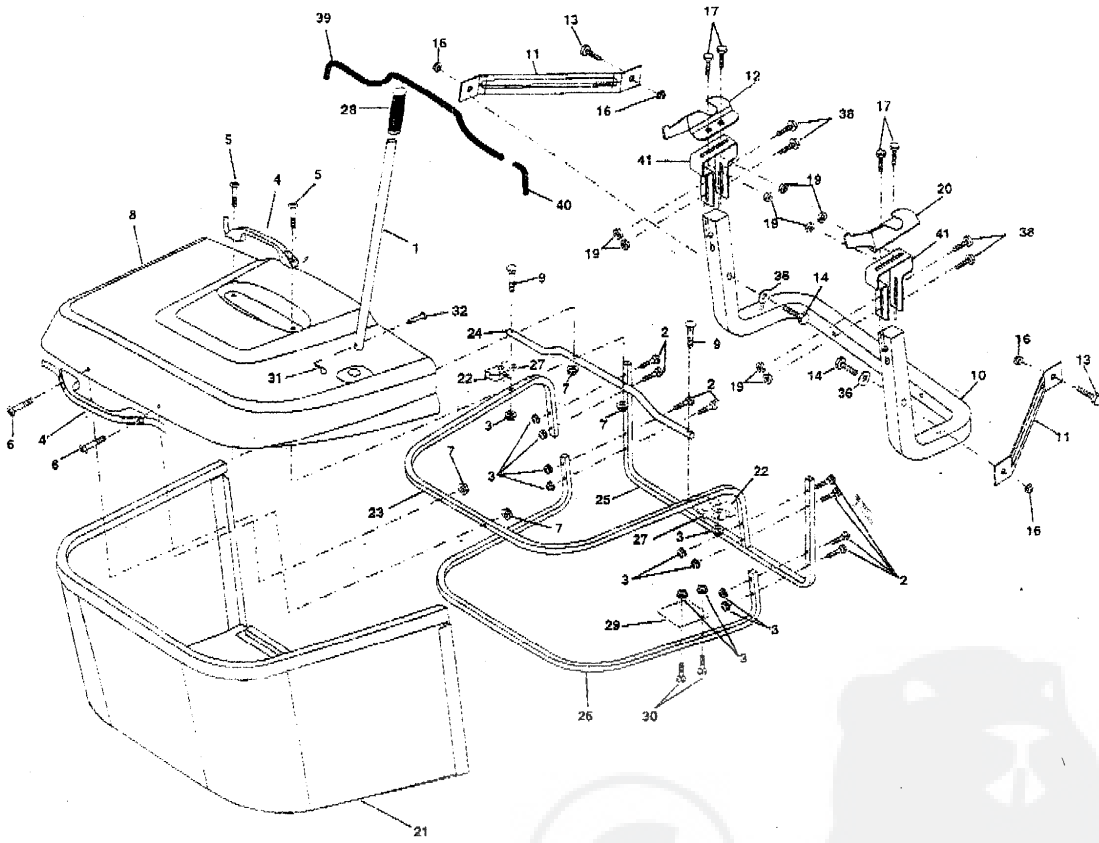
KEY NO.	PART NO.	DESCRIPTION
38	169851	Spacer Hub Arm Idler
39	72110622	Bolt RhHd 3/8-16 Unc x 2-3/4 Gr.5
40	73680600	Nut Crownlock 3/8-16 Unc
44	169180	Cover Mandrel Lh
45	169179	Cover Mandrel Rh
46	137729	Screw Thd Roll 1/4-20 x 5/8
55	169849	Arm Idler
61	165945	Spring Tension Belt
67	106932X	Knob Rd 3/8-16 Plstc Thds Bik
68	169178	Hex-Belt Mower
69	165482	Shaft Asm W/Lwr Brg Rh Thd CRD
84	156085	Keeper Belt Idler
116	137644	Bolt Shoulder
117	133957	Wheel Gage Donut Wide
118	73930600	Nut Centerlock 3/8-16 Unc
119	19121414	Washer 3/8 x 7/8 x 14 Ga.
124	72110612	Bolt Carr Sh 3/8-16 x 1-1/2 Gr5
128	153390	Washer Felt
130	72110506	Bolt Rdhdsqnk 5/16-18 Unc x 3/4
131	165661	Chute Bagger CRD 92cm
151	169670	Bracket Clutch Cable
152	170300	Clutch Cable 42"
153	169674	Washer Flat 3/8" Type B
154	169675	Spring Retainer
155	169671	Spring Retention Lvr Cltch Cab
156	169672	Spacer Clutch Cable
157	169669	Rod Clutch Cable 3/8"
158	17720410	Screw Hex Thd Cut 1/4-20 x 5/8
-	130794	Mandrel Asm Service
-	165579	Mandrel Asm CRD Lh Threads SVC
-	170273	Deck Mower Complete

**NOTE:** All component dimensions given in U.S. inches  
 1 inch = 25.4 mm



**TRACTOR- -MODEL NO. Y155H107RBA**

**BAGGER**



**REPAIR PARTS****TRACTOR- -MODEL NO. Y155H107RBA****BAGGER**

KEY NO.	PART NO.	DESCRIPTION
1	165249	Tube Handle Bagger CRD
2	72140416	Bolt Carriage 1/4-20 x 2 0 Gr.5
3	123976X	Nut Lock 1/4 Lge Fig Gr. 5 Zinc
4	169916	Handle Bagger w/Lvrs Bk CRD
5	74981024	Screw Pan Head #10-24 x 1.50 Bk
6	74981032	Screw Pan Hd
7	73401000	Nut Wiz Lock Hex Serr Hd 10-24
8	165715X505	Cover Bagger Plastic CRD
9	72140418	Bolt Carriage 1/4-20 x 2.25d x Gr.5
10	169688	Tube Support Bagger CRD
11	165719	Bracket Support Upper Bag CRD
12	169685	Bracket Horiz Adj Bggr Lh CRD
13	72110606	Bolt Rdhd Sht Sank 3/8-16 x 3/4
14	74520640	Bolt Hex 3/8-16 x 2-1/2 Gr.5
16	73900600	Nut Lock Fig 3/8-16 Unc
17	72140506	Bolt Rdhd Sht Sank 5/16-18 Unc x 3/4
19	73900500	Nut Lock Hex Flange 5/16-18
20	169684	Bracket Horiz Adj Bggr Rht CRD
21	165780	Bag Asm CRD
22	165781	Bracket Side Bagger CRD
23	165782	Tube Upper Bagger CRD
24	165783	Tube Pivot Bagger CRD
25	165784	Tube Front Bagger CRD
26	165785	Tube Lower Bagger CRD
27	169632	Bufshing Snap Bagger CRD
28	165787	Grip Handle Black
29	165839	Plate Stop Bagger handle CRD
30	72140410	Bolt Carriage 1/4-20 x 1 Gr.5
31	4457H	Retainer Spring 1" Zinc/Cad
32	126875X	Rivet Rd Hd Drilled 3/8 Dia
36	19132016	Washer 13/32 x 1-1/4 x 16 Ga.
38	72010520	Bolt 5/16-18 x 2-1/2
39	169999	Seal 26" (Long)
40	170000	Seal 7" (Short)
41	169683	Bracket Vert Adj Bagger CRD

**NOTE:** All component dimensions given in U.S. inches  
1 inch = 25.4 mm

