

**A**SSSEMBLY/REPAIR PARTS

Lawn Tractor

Model No. YE12542B

92

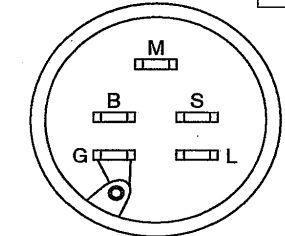
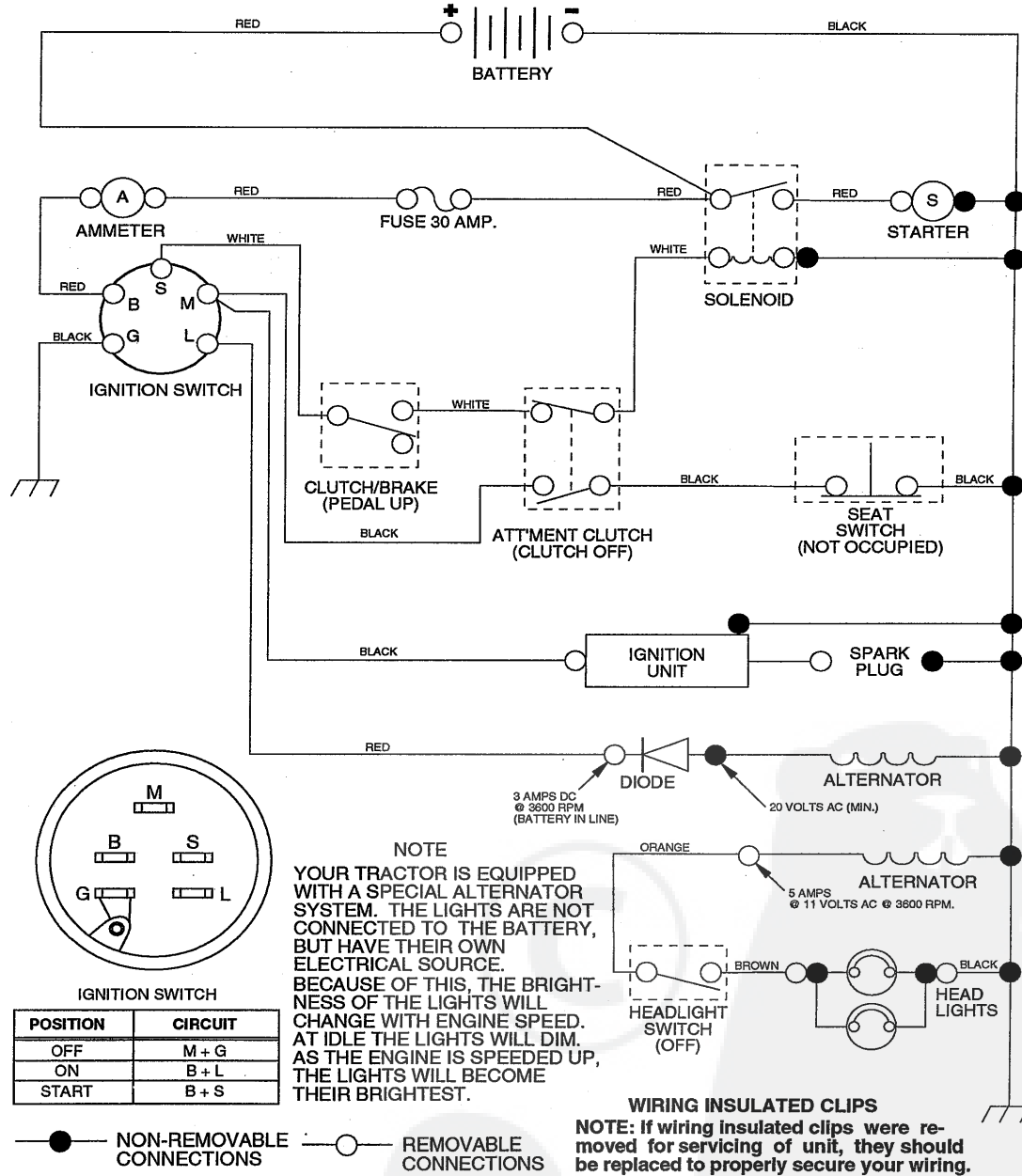
---

***Yard Pro***

135883 01.28.92  
Printed in U.S.A.

---

## 12.5 HP 42" RIDING LAWN TRACTOR - MODEL NUMBER YE12542B SCHEMATIC



**IGNITION SWITCH**

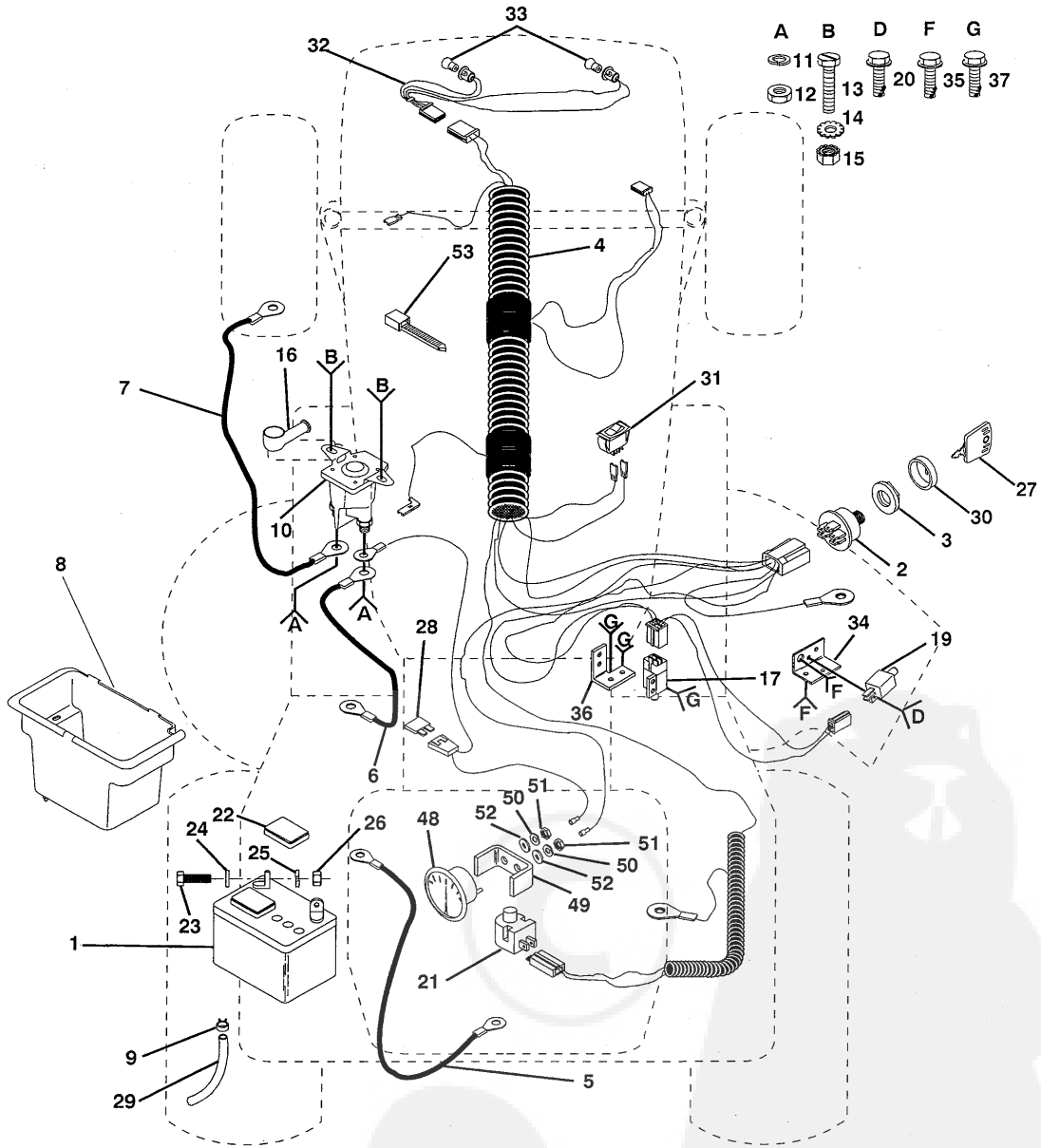
POSITION	CIRCUIT
OFF	M + G
ON	B + L
START	B + S

● NON-REMOVABLE CONNECTIONS      ○ REMOVABLE CONNECTIONS

# REPAIR PARTS

12.5 HP 42" RIDING LAWN TRACTOR - - MODEL NUMBER YE12542B

## ELECTRICAL



## REPAIR PARTS

### 12.5 HP 42" RIDING LAWN TRACTOR - - MODEL NUMBER YE12542B

#### ELECTRICAL

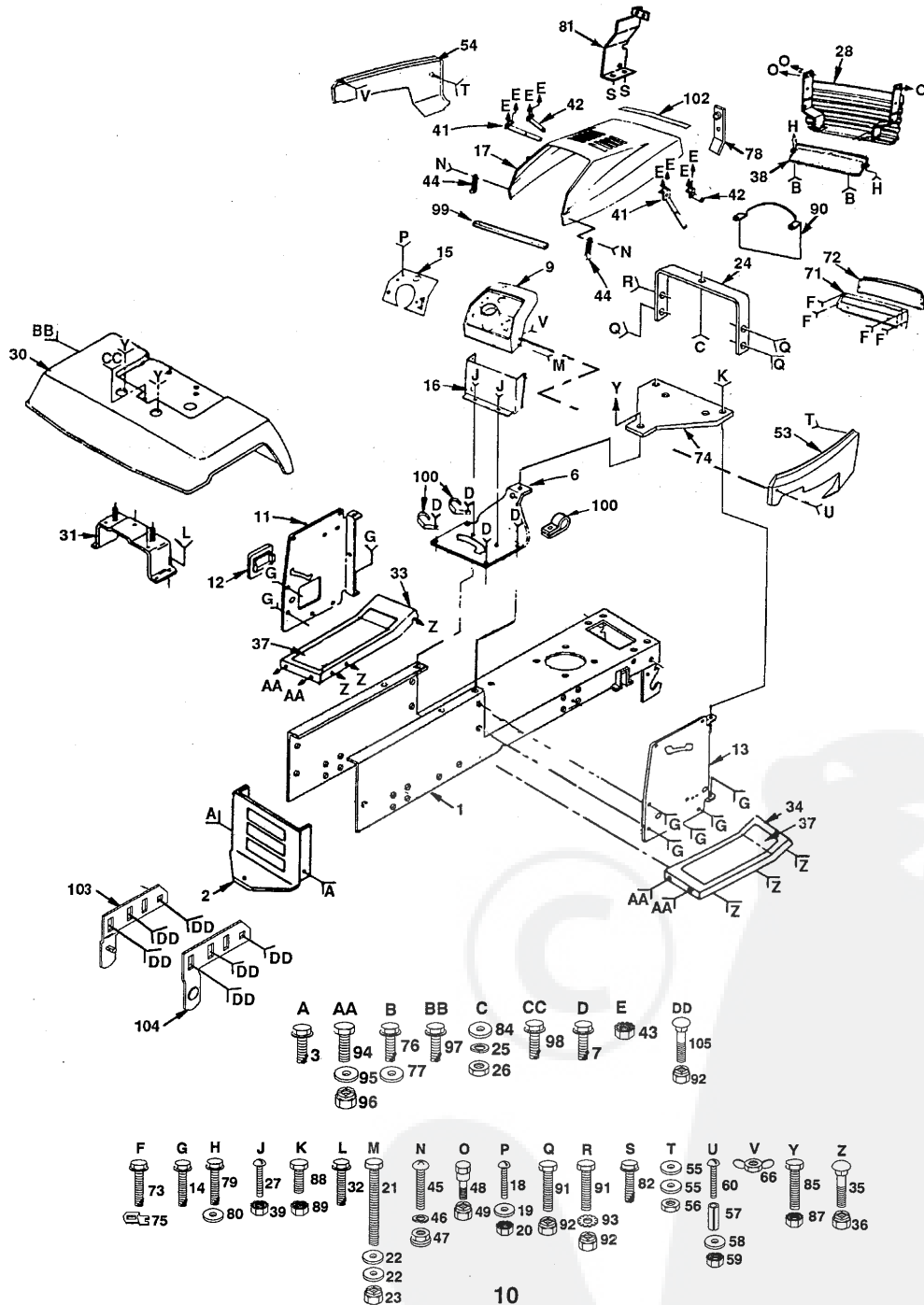
KEY NO.	PART NO.	DESCRIPTION	KEY NO.	PART NO.	DESCRIPTION
1	121265X	Battery 12 Volt 25 Amp	24	19091016	Washer 9/32 X 5/8 X 16 Ga
2	4406R	Switch Ign 5 Term Wo/wash/nut	25	10040400	Washer Lock Hvy Helical 1/4
3	124211X	Nut Ignition	26	73220400	Nut Fin Hex 1/4-20 Unc
4	132642	Harness Ign B&s Dash HI Amm	27	122147X	Key Ign Molded Generic
5	4207J	Cable Ground 6ga 12"black	28	108824X	Fuse 30 Amp Auto Green
6	5114J	Cable Battery 6ga 39" Red	29	7604J	Tube Plastic 24
7	4799J	Cable Battery 6ga 11red	30	123620X	Cover Sw Key Blk 1 25 Text Sit
8	133753	Case Battery w/o Lid	31	110712X	Switch Light Blk Blk Red
9	109596X	Clamp Hose Olive	32	127441X	Harness Socket Light
10	109081X	Solenoid	33	7662J	Bulb, Light # 1141
11	10090400	Washer Lock 1/4	34	108236X	Bracket Switch Clutch
12	73350400	Nut Jam Hex 1/4-20 Unc	35	17021008	Screw Hex Tapping # 10-24 X 1/2
13	74780408	Bolt Fin Hex 1/4-20uncx1/2 Gr5	36	130890	Bracket Switch Interlock
14	11050400	Washer Lock Ext Tooth 1/4	37	17021008	Screw Hex Tapping # 10-24 X 1/2
15	73510400	Nut Keps Hex 1/4-20 Unc	48	9433R	Ammeter Round 15 Amp
16	131563	Cover Terminal Red	49	131708	Bracket Ammeter 2 242 X 1 180
17	109553X	Switch Interlock Clutch	50	10101000	Washer Lock
19	104445X	Switch Intik Clutch Red 2 Term	51	73911000	Nut
20	17021008	Screw Tap Hex #10-24unc X 1/2	52	19070818	Washer 7/32 X 1/2 X 18 Ga
21	121305X	Switch Plunger Nc Gray	53	7192J	Tie Cable
22	121264X	Caps Battery 20/25/30 Amp			
23	74760412	Bolt Hex Hd 1/4-20unc X 3/4			

**NOTE:** All component dimensions given in U.S. inches.  
1 inch = 25.4 mm

# REPAIR PARTS

12.5 HP 42" RIDING LAWN TRACTOR - - MODEL NUMBER YE12542B

## CHASSIS AND ENCLOSURES



## REPAIR PARTS

### 12.5 HP 42" RIDING LAWN TRACTOR - - MODEL NUMBER YE12542B

#### CHASSIS AND ENCLOSURES

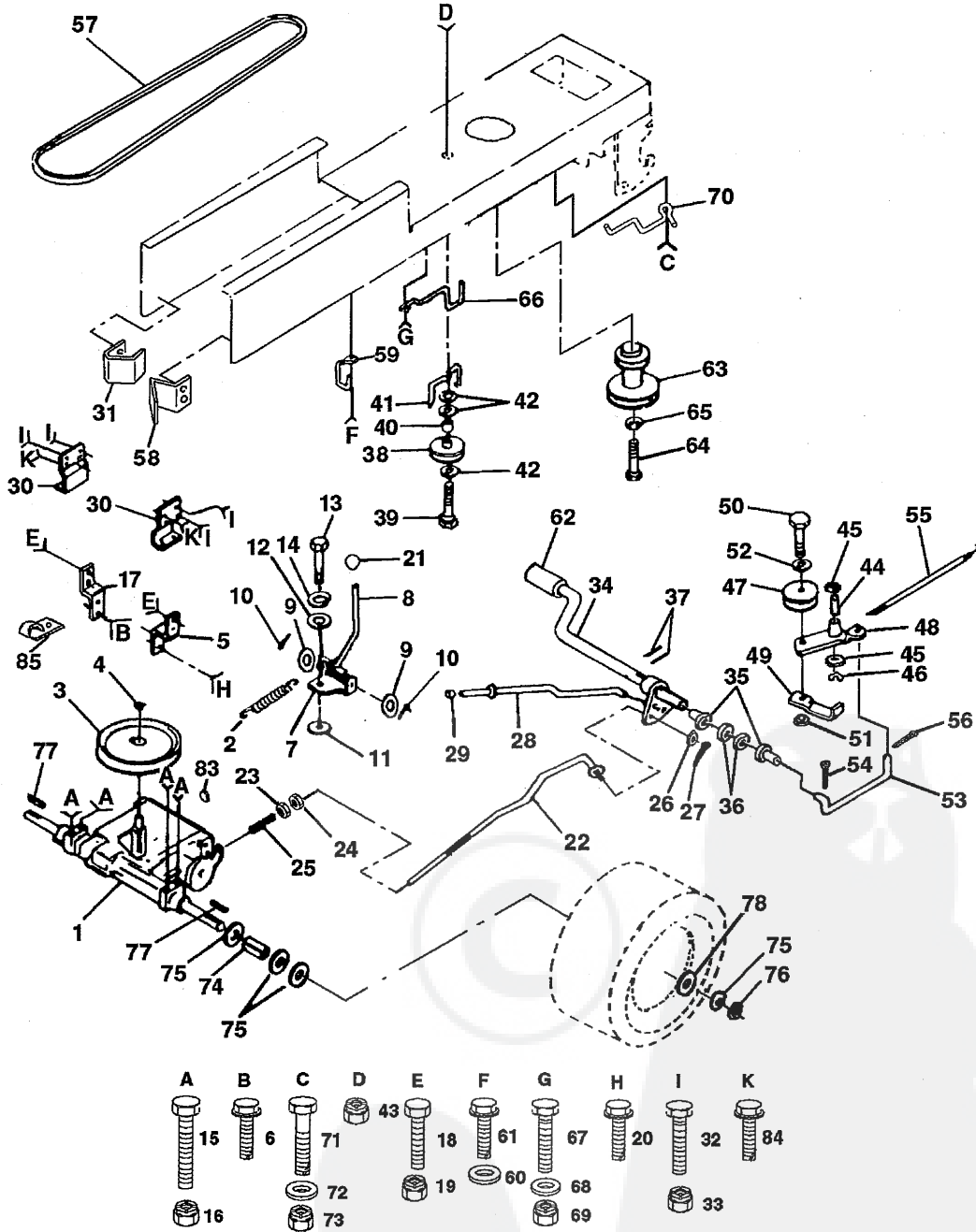
KEY NO.	PART NO.	DESCRIPTION	KEY NO.	PART NO.	DESCRIPTION
1	135034	Chassis Weldment 12ga 38/42	54	132637X505	Panel Pnt Lh Side
2	130805	Drawbar 11 Ga 46 5wheel Base	55	19091216	Washer 9/32 x 3/4 x 16 Ga
3	17490612	Screw Thdrol 3/8-16x3/4 Ty-tt	56	73220400	Nut Fin Hex 1/4-20 Unc
6	131343X017	Saddle Silkscr	57	7206J	Spacer Split #10 x 3/4 Cad/zin
7	17490608	Screw Thdrol 3/8-16x1/2 Ty-tt	58	19070818	Washer 7/32 x 1/2 x 18 Ga
9	124252X	Dash Black Hole "a" 88	59	73731000	Nut Keps #10-24 Unc
11	132072	Panel Pnt Dash Lh	60	74981020	Screw Mach Cr Pan #10-24 x1-1/4
12	121794X	Cover Access Black Square	66	123198X	Nut Plastic Locking Wng 1/4-20
13	132071	Panel Pnt Dash Rh	71	124392X417	Bezel Asm Pnt
14	17490612	Screw Thdrol 3/8-16x3/4 Ty-tt	72	106395X	Lens Headlight Bar Clear
15	121286X014	Plate Silkscreened Dash	73	17211010	Screw Hex Wsh Hd Tap#10-16x5/8
16	104783X	Dash Pnt Lower	74	106965X	Plate Pnt Sprt Battery (blk )
17	132635X505	Hood Pnt	75	104755X	"J" Fastener
18	74180512	Screw Mach Trhd 5/16-18uncx3/4	76	17490512	Screw Thdrol 5/16-18 x 3/4 Tyt
19	19111116	Washer 11/32 x 11/16 x 16 Ga	77	19131210	Washer 13/32 x 3/4 x 10 Ga
20	73510500	Nut Keps 5/16-18 Unc	78	132644	Bracket Pnt Grille
21	74760620	Bolt Fin Hex 3/8-16unc x 1-1/4	79	17490412	Screw Hexwsh Thdrol 1/4-20x3/4
22	19131312	Washer 13/32 X 13/16 x 12 Ga	80	19091016	Washer 9/32 x 5/8 x 16 Ga
23	73680600	Nut Crownlock 3/8-16 Unc	81	121279X	Support Pnt Lh Tank
24	124130X	Support Pnt Dash	82	17490612	Screw Thdrol 3/8-16x3/4 Ty-tt
25	10040400	Washer Lock Hvy Helical 1/4	84	19091216	Washer 9/32 x 3/4 x 16 Ga
26	73220400	Nut Fin Hex 1/4-20 Unc	85	74760512	Bolt Fin Hex 5/16-18uncx3/4gr2
27	74180512	Screw Mach Trhd 5/16-18uncx3/4	87	73510500	Nut Keps 5/16-18 Unc
28	131716	Grille Asm Pnt	88	74760620	Bolt Fin Hex 3/8-16unc x 1-1/4
30	109872X505	Fender Pnt	89	73510600	Nut Keps Hex 3/8-16unc
31	109873X	Bracket Pnt Fender	90	133685	Baffle Pnt Hood Vertical
32	17490612	Screw Thdrol 3/8-16x3/4 Ty-tt	91	74760612	Bolt Hex 3/8-16 x 3/4
33	105465X505	Footrest Pnt Lh	92	73680600	Nut Crownlock 3/8
34	105464X505	Footrest Pnt Rh	93	11050600	Washer Lock Ext Tooth 3/8
35	72110606	Bolt Rdhd Sht Sqnk 3/8-16 x3/4	94	74760612	Bolt Fin Hex 3/8-16unc x 3/4
36	73680600	Nut Crownlock 3/8-16 Unc	95	19131312	Washer 13/32 X 13/16 x 12 Ga
37	133671	Pad Footrest	96	73680600	Nut Crownlock 3/8-16 Unc
38	105419X505	Strap Pnt Grill	97	17490608	Screw Thdrol 3/8-16x1/2 Ty-tt
39	73510500	Nut Keps 5/16-18 Unc	98	17490612	Screw Thdrol 3/8-16x3/4 Ty-tt
41	106784X	Strap Asm Pnt Hinge Rear (blk)	99	105037X	Strip Foam 18"
42	104618X	Strap Asm Pnt Hinge Front	100	2751R	Clip Line Fuel 13/32 Mtg Hole
43	73510400	Nut Keps Hex 1/4-20 Unc	102	104915X	Strip Foam
44	109808X	Latch Chute Blk	103	134774	Bracket Asm Pivot LH
45	74191008	Screw Mach Cr Pan #10-24 x 1/2	104	134775	Bracket Asm Pivot RH
46	10071000	Washer Lock #10	105	72140606	Bolt Rdhd Sqnk 3/8-16x3/4
47	2029J	Nut Weld ,327/,304 #10-24			
48	123481X	Bolt Shoulder 1/4-20 Unc			
49	73680400	Nut Crownlock 1/4-20 Unc			
53	132636X505	Panel Pnt Rh Side			

NOTE: All component dimensions given in U. S. inches.  
1 inch = 25.4 mm

# REPAIR PARTS

12.5 HP 42" RIDING LAWN TRACTOR -- MODEL NUMBER YE12542B

DRIVE



## REPAIR PARTS

12.5 HP 42" RIDING LAWN TRACTOR - - MODEL NUMBER YE12542B

### DRIVE

KEY NO.	PART NO.	DESCRIPTION	KEY NO.	PART NO.	DESCRIPTION
1	120898X	Transaxle 6sp D 18" T. S/SHF	45	110812X	Washer Hardened
2	110422X	Spring Return Brake	46	12000039	Ring Klip #15304-50
3	123666X	Pulley Transaxle 18" tires	47	127783	Pulley Idler V Groove Plastic
4	12000028	Ring Retainer # 5100-62	48	123789X	Bellcrank Asm
5	121520X	Strap Torque Rh Pnt Blk	49	123205X	Retainer Belt Style Spring
6	17490512	Screw Thdrol 5/16-18 x 3/4 Tyt	50	74760624	Bolt Hex Hd 3/8-16unc x 1-1/2
7	130802	Plate Pnt Shifter	51	73680600	Nut Crownlock 3/8-16 Unc
8	131679	Rod Shf Sdl LT/YT	52	19131316	Washer 13/32 x 13/16 x 16 Ga
9	19151216	Washer 15/32 x 3/4 x 16ga	53	105710X	Link Clutch 7 66
10	76020416	Pin Cotter 1/8 x 1 Cad	54	76020412	Pin Cotter 1/8 x 3/4 Cad
11	105701X	Washer Plate Shf 388 Sq Hole	55	105709X	Spring Return Clutch 6 75
12	19091210	Washer 9/32 x 3/4 x 10 Ga	56	76020412	Pin Cotter 1/8 x 3/4 Cad
13	71040412	Bolt Fin Hex 1/4-28unfx3/4 Gr8	57	130801	V-belt Ground Drive 95 25
14	10040400	Washer Lock Hvy Helical 1/4	58	127274X	Keeper Belt RH Lt Pnt/Zinc 16Ga
15	74760540	Bolt Fin Hex 5/16-18 unc x 2-1/2	59	104777X	Retainer Belt Chassis Lh Zinc
16	73680500	Nut Crownlock 5/16-18	60	19131312	Washer 13/32 x 13/16 x 12 Ga
17	121520X	Strap Pnt Torque Lh	61	17490612	Screw Thdrol 3/8-16x3/4 Ty-tt
18	74760612	Bolt Fin Hex 3/8-16unc x 3/4	62	8883R	Cover Pedal Blk Round
19	73680600	Nut Crownlock 3/8-16 Unc	63	134825	Pulley Engine
20	17490512	Screw Thdrol 5/16-18 x 3/4 Tyt	64	71170764	Bolt Finhex 7/16-20unfx4g5
21	121274X	Knob Duckhead 1/2-13unc Blk	65	10040700	Washer Lock Hvy Hlcl Spr 7/16
22	130804	Rod Brake Blk Zinc 26 840	66	129921	Keeper Belt Engine Lh Lt
23	73800600	Nut Lock Hex W/wsh 3/8-16unc	67	74760616	Bolt Fin Hex 3/8-16unc x 1
24	73350600	Nut Hex Jam 3/8-16 Unc	68	19131312	Washer 13/32 x 13/16 x 12 Ga
25	106888X	Spring Rod Brake 2 00 Zinc	69	73680600	Nut Crownlock 3/8-16 Unc
26	19131316	Washer 13/32 x 13/16 x 16 Ga	70	134683	Guide Belt Dr Mower Rh
27	76020412	Pin Cotter 1/8 x 3/4 Cad	71	74760616	Bolt Fin Hex 3/8-16unc x 1
28	133261	Rod Brake Parking 14 500	72	19132012	Washer 13/32 x 1-1/4 x 12 Ga
29	71673	Cap Parking Brake Black	73	73680600	Nut Crownlock 3/8-16 Unc
30	130807	Bracket Mtg Transaxle	74	109502X	Spacer Split 80x1 94 Cad/zinc
31	127275X	Keeper Belt Lh Lt 14 Ga	75	121749X	Washer 25/32 x 1 1/4 x 16 Ga
32	74760512	Bolt Hex Hd 5/16-18unc x 3/4	76	12000001	Ring E #5133-75
33	73680500	Nut Crown Lock 5/16-18	77	123583X	Key Square 2 0 x 1845/ 1865
34	122424X	Shaft Asm Pedal Foot 1 930	78	121748X	Washer 25/32 x 1 5/8 x 16ga
35	120183X	Bearing Nylon Blk 629 Id	83	2228M	Key Woodruff #9 3/16 x 3/4
36	19211616	Washer 21/32 x 1 x 16 Ga	84	17490612	Screw Thdrol 3/8-16x3/4 Ty-tt
37	1572H	Pin Roll 3/16 x 1	85	2751R	Clip Line Fuel 13/32 Mtg Hole
38	123674X	Pulley Idler Flat			
39	74760644	Bolt Fin Hex 3/8-16unc x 2-3/4			
40	4470J	Spacer Split 395 x 59 Bzp			
41	109070X	Keeper Belt Retainer			
42	19131312	Washer 13/32 x 13/16 x 12 Ga			
43	73680600	Nut Crownlock 3/8-16 Unc			
44	105706X	Bearing Nyl 503 x 628 x 1 25			

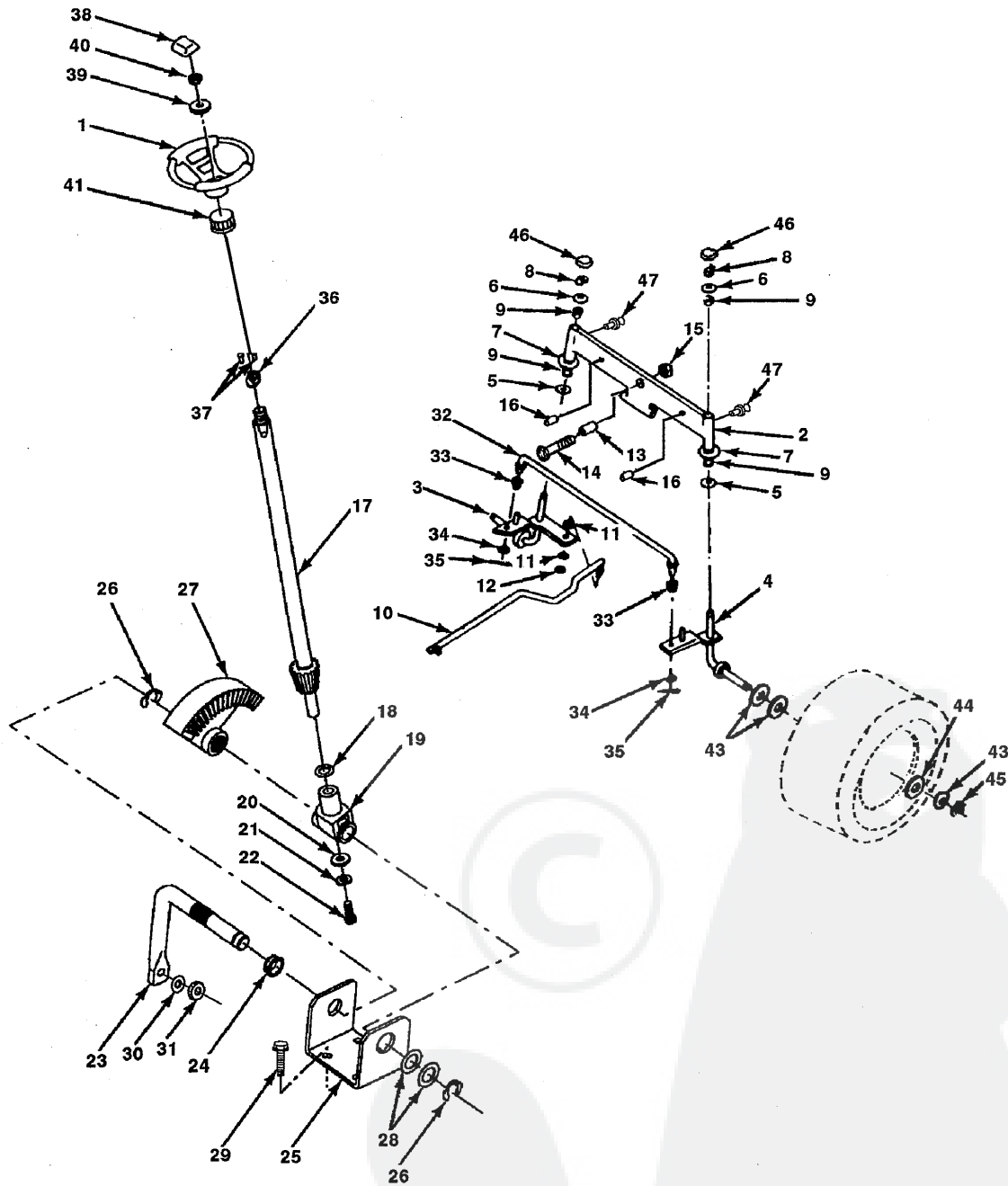
**NOTE:** All component dimensions given in U.S. inches  
1 inch = 25.4 mm



# REPAIR PARTS

12.5 HP 42" RIDING LAWN TRACTOR - - MODEL NUMBER YE12542B

## STEERING ASSEMBLY



## REPAIR PARTS

12.5 HP 42" RIDING LAWN TRACTOR - - MODEL NUMBER YE12542B

### STEERING ASSEMBLY

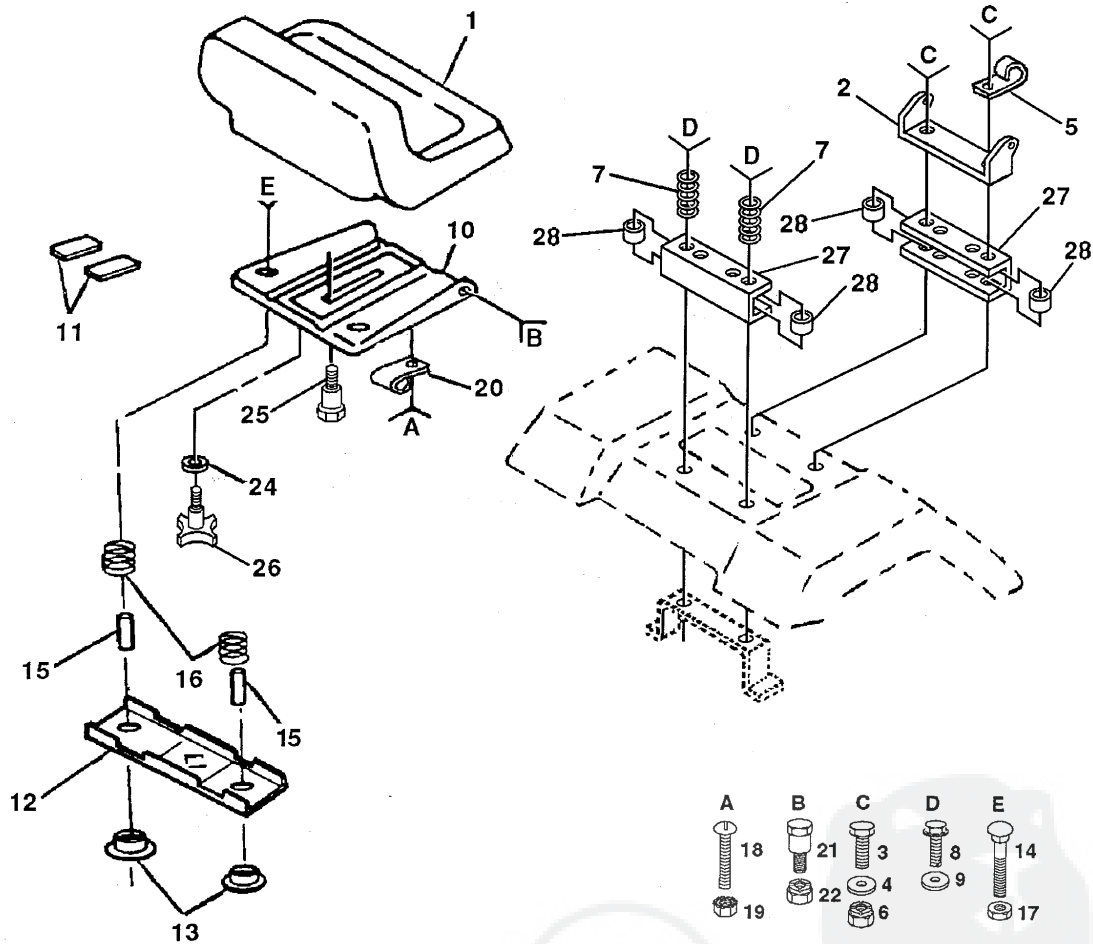
KEY NO.	PART NO.	DESCRIPTION
1	121472X	Wheel Steering Auto Black
2	133988	Axle Asm W/fittings Front
3	135227	Spindle Asm Lh
4	135228	Spindle Asm Rh
5	6266H	Bearing Race Thrust Harden
6	121748X	Washer 25/32 x 1-5/8 x 16 Ga
7	19272016	Washer 27/32 x 1-1/4 x 16 Ga
8	12000029	Ring Klip #T5304-75
9	3366R	Bearing Col Strg Blk
10	130468	Link Drag Sol Ball Jt 20 064
11	10040600	Washer Lock Hvy Hlcl Spr 3/8
12	73610600	Nut Fin Hex 3/8-24 Unf
13	110438X	Spacer Bearing Axle Front
14	74011056	Bolt Hex 5/8-11 Unc x 3-1/2
15	73601000	Nut Hex Jam Lk W/wh 5/8-11 Unc
16	132624	Pin Axle 5/8 x 1 55/1 54 Lg
17	128758	Shaft Asm Strg 18 31x3/4 Yp Lt
18	57079	Washer Thrust 515x 750x 033
19	124035X	Support Shaft
20	126684X	Washer Shim 1/4 x 5/8 x .062
21	10040400	Washer Lock Hvy Helical 1/4
22	71070410	Screw Hex Socket 1/4-20 x 5/8
23	127501	Shaft Asm Pittman
24	109816X	Nyliner Snap In
25	124036X	Bracket Steering
26	12000029	Ring Klip #t5304-75
27	124034X	Gear Sector
28	6266H	Bearing Race Thrust Harden
29	17490612	Screw Thdrol 3/8-16x3/4 Ty-tt
30	10040600	Washer Lock Hvy Hlcl Spr 3/8
31	73610600	Nut Fin Hex 3/8-24 Unf
32	130465	Rod Tie Wire Form 19 75 Mech
33	126847X	Bushing Link Drag
34	19131416	Washer 13/32 x 7/8 x 16ga
35	76020412	Pin Cotter 1/8 x 3/4 Cad
36	1554J	Bushing Strg Blk 742/747 Id
37	17431008	Screw Slftp #10-16 x 1/2 Ty-b
38	121584X	Insert Cap Strg Wh Au Y P Blk
39	100712K	Washer 53 x 2 25 x 160 Zinc
40	73940800	Nut Hex Jam Toplock 1/2-20 Unf
41	100711L	Adapter Wheel Strg 758/ 753id
43	121749X	Washer 25/32 x 1 1/4 x 16 Ga
44	121748X	Washer 25/32 x 1 5/8 x 16ga
45	12000029	Ring Klip #t5304-75
46	121232X	Cap Spindle Fr Top Blk
47	6855M	Fitting Grease

**NOTE:** All component dimensions given in U.S. inches  
1 inch = 25.4 mm

# REPAIR PARTS

12.5 HP 42" RIDING LAWN TRACTOR - - MODEL NUMBER YE12542B

## SEAT ASSEMBLY



KEY NO.	PART NO.	DESCRIPTION
1	127427	Seat V350 Blk/blk Std
2	126656X	Bracket Pnt Pivot Seat (blk)
3	74760640	Bolt-hex Fin 3/8-16unc x 2-1/2
4	19131210	Washer 13/32 X 3/4 X 10 Ga
5	2751R	Clip Line Fuel 13/32 Mtg Hole
6	73680600	Nut Crownlock 3/8-16 Unc
7	124181X	Spring Seat Cprsn 2 250 Blk Zi
8	17490640	Scr-hex Wsh Thdrol 3/8-16x2-1/
9	19131614	Washer 13/32 x 1 X 14 Ga
10	131541	Pan Pnt Seat (blk)
11	121251X	Strip Foam Gray Or Black
12	121246X	Bracket Pnt Mounting Switch
13	121248X	Bushing Snap Blk Nyl 50 Id
14	72050411	Bolt Rdhd Sht Nk 1/4-20x1-3/8
15	121249X	Spacer Split 28 x 88 Zinc

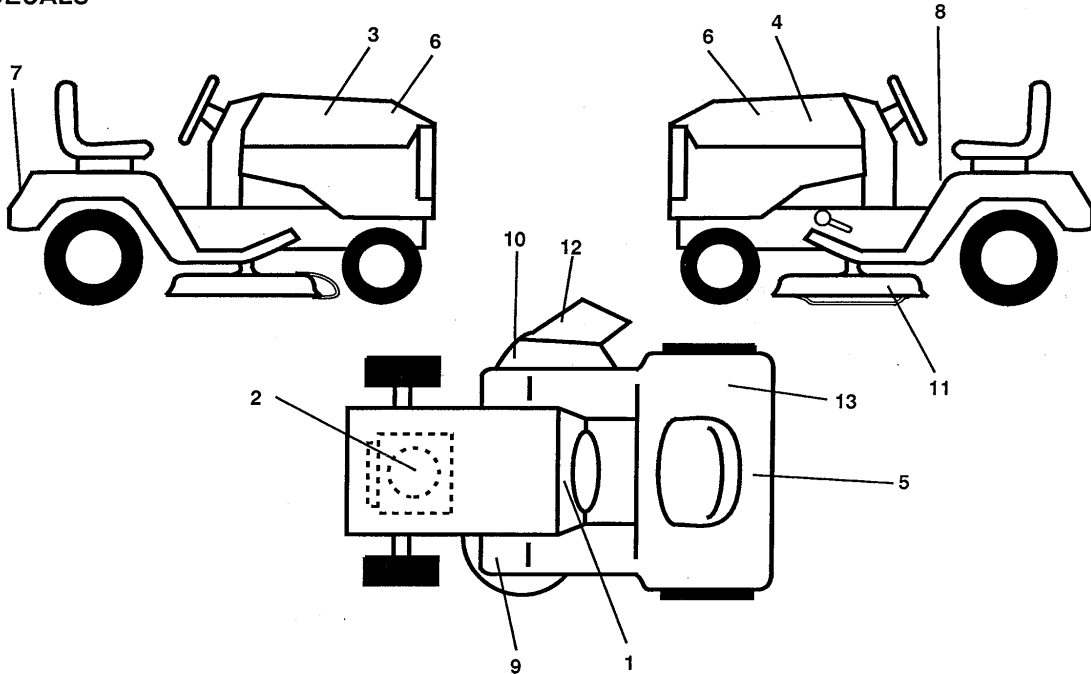
KEY NO.	PART NO.	DESCRIPTION
16	121250X	Spring Cprsn 1 27 Blk Pnt
17	123976X	Nut Lock 1/4 Lge Flg Gr 5 Zinc
18	74641008	Screw Sltd Pan Hd #10-32 x 1/2
19	73951000	Nut Keps #10-32 Unf
20	4171R	Clip Insulated 11/32 Mtg Hole
21	105529X	Bolt Shoulder 5/16-18 Unc Blkz
22	73680500	Nut Crown Lock 5/16-18
24	19171912	Washer 17/32 x 1-3/16 x 12 Ga
25	127018X	Bolt Shoulder 5/16-18 X 62
26	120068X	Knob Seat 1/2-13unc Blk
27	131772	Spacer Pnt Seat
28	131771	Spacer Split

NOTE: All component dimensions given in U.S. inches  
1 inch = 25.4 mm

## REPAIR PARTS

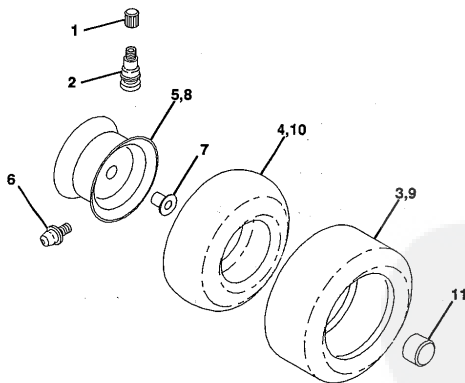
12.5 HP 42" RIDING LAWN TRACTOR - - MODEL NUMBER YE12542B

### DECALS



KEY NO.	PART NO.	DESCRIPTION	KEY NO.	PART NO.	DESCRIPTION
1	109821X	Decal Oper Instruction Eng/fr	8	133795	Decal Caution English/french
2	129057	Decal Engine 12 5hp B&s	9	101892X	Decal Clutch/brake Eng/fr
3	123966X	Decal Hood Rh Yardpro 37 00	10	121349X	Decal Warn Def Eng/fr
4	123965X	Decal Hood Lh Yardpro 37 00	11	109820X	Decal Rotat Blades Eng/fr
5	121549X	Decal Caution Battery Fr/ger	12	126194X	Decal Caut Deflect E/fr/ger/du
6	129512	Decal Side Panel Lt12	13	125690X	Decal 100 DbA
7	124580X	Decal Fender Yard Pro	-	132704	Manual Oper Generic 38/42eng/fr
			-	135883	Manual Parts

### WHEELS & TIRES



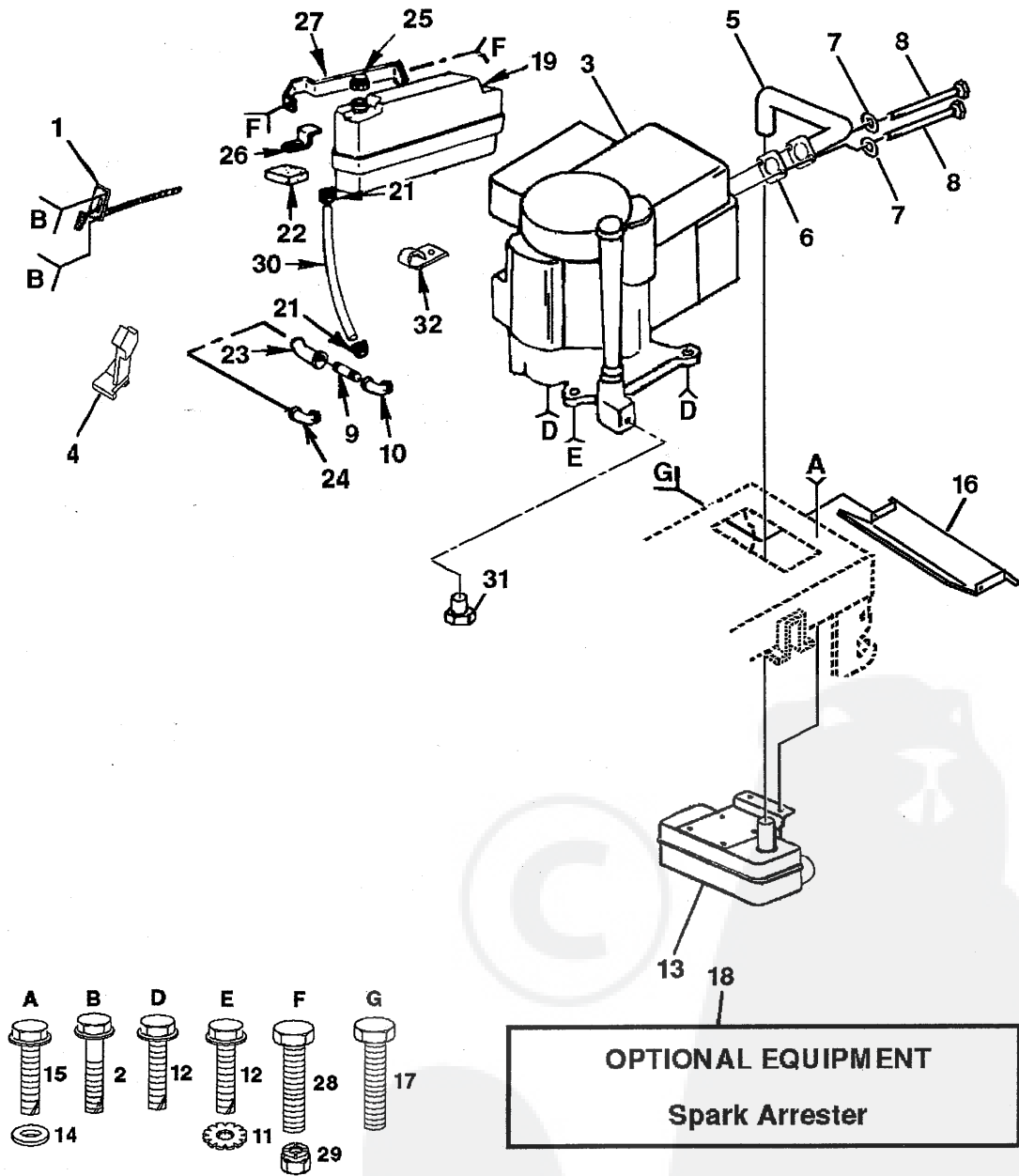
KEY PART NO.	NO.	DESCRIPTION
1	59192	Cap Valve Tire
2	65139	Stem Valve
3	106222X	Tire F Ts 15 x 6 0 - 6 Service
4	59904	Tube Front (Service Item Only)
5	106732X361	Rim Asm 6"front Silver Service
6	278H	Fitting Grease (Front Wheel Only)
7	9040H	Bearing Flange (Front Wheel Only)
8	106108X361	Rim Asm 8"rear Silver Service
9	106268X	Tire R Ts 18x9 5-8 C Service
10	7152J	Tube Rear (Service Item Only)
11	104757X	Cap Axle Blk 1 50 x 1 00

NOTE: All component dimensions given in U.S. inches  
1 inch = 25.4 mm

# REPAIR PARTS

12.5 HP 42" RIDING LAWN TRACTOR - - MODEL NUMBER YE12542B

ENGINE



## REPAIR PARTS

### 12.5 HP 42" RIDING LAWN TRACTOR - - MODEL NUMBER YE12542B

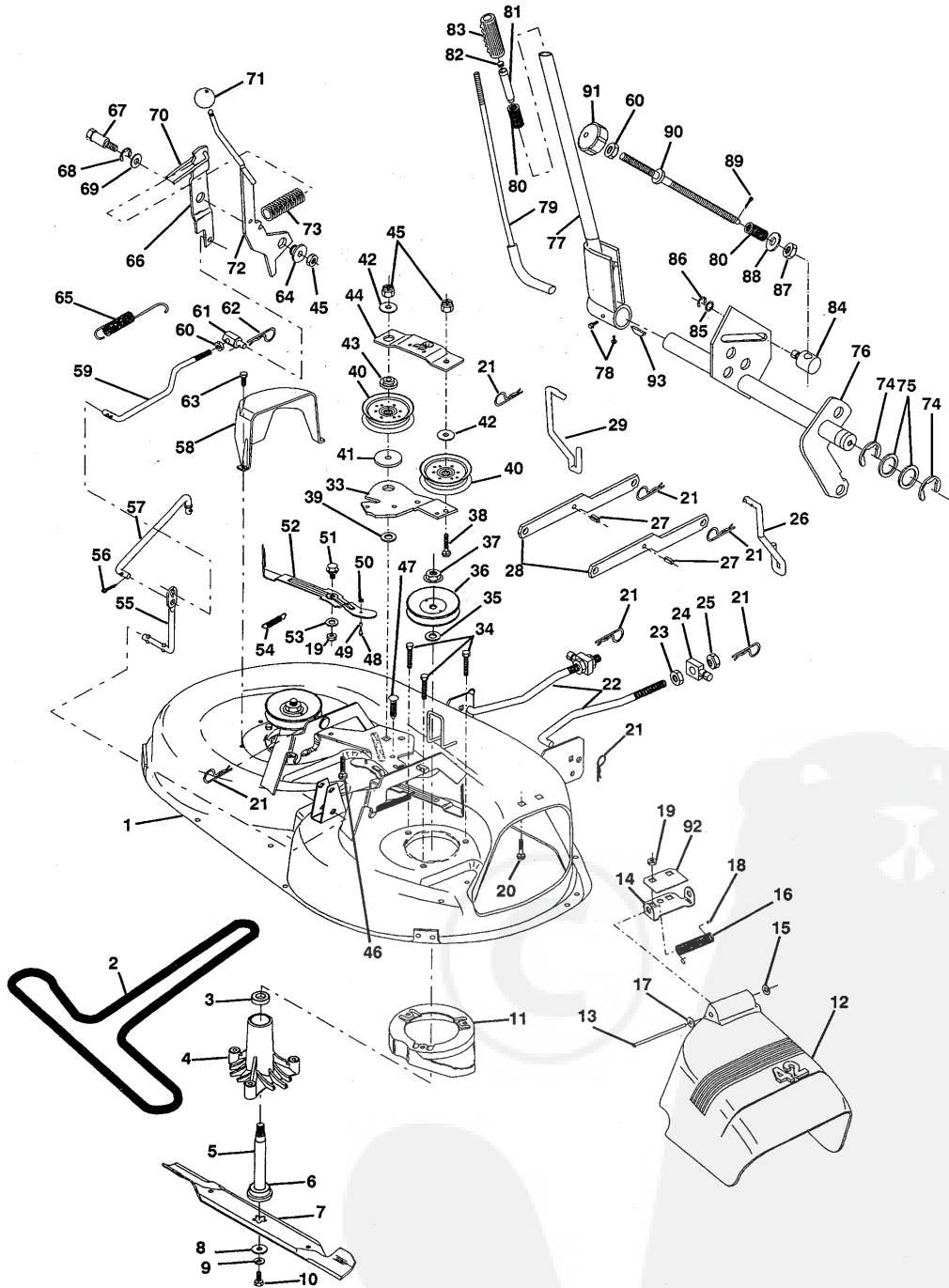
#### ENGINE

KEY NO.	PART NO.	DESCRIPTION
1	134372	Control Throttle /choke Rh
2	17720410	Screw Hex Thd Cut 1/4-20x5/8 T
3	131953	Engine B&s 12 5 lcg Dual 1 Vt
4	133097	Stop Throt 2700 Rpm
5	123073X	Pipe Exhaust
6	125593X	Gasket 1 313 Id Tin Plated
7	10040500	Washer Lock Hvy Hlcl Spr 5/16
8	71070510	Screw Hexhd Cap 5/16-18x5/8
9	13280328	Nipple Pipe 3/8 Npt X 3-1/2
10	13310300	Elbow Street 45 Degrees
11	11050600	Washer Lock Ext Tooth
12	17490620	Screw Thdrol 3/8-16x1-1/4 Tytt
13	123075X	Muffler Exhaust Eec
14	19132012	Washer 13/32 X 1-1/4 X 12 Ga
15	17490512	Screw Thdrl 5/16 - 18 X 3/4
16	128953	Shield Pnt Heat Browning Grass
17	17021008	Screw Tap Hex #10-24unc X 1/2
18	121851X	Arrestor Spark
19	121280X	Tank Fuel 1 50 Frt
21	123487X	Clamp Hose Blk
22	6431J	Spacer Pad 1 X 1 X 50
23	13240300	Elbow Street 3/8 Npt
24	13200300	Elbow Std 90 Degree 3/8-18 Npt
25	8504J	Cap Fuel Blk W/gas Only
26	104799X	Brace Pnt Tank
27	121281X	Support Pnt Tank Fuel
28	74780512	Bolt Fin Hex 5/16-18unc X 3/4
29	73680500	Nut Crown Lock 5/16-18
30	7833R	Line Fuel 7 5
31	-	Plug Oil Drain(Order From Engine Manufacturer)
32	2751R	Clip Line Fuel 13/32 Mtg Hole

**NOTE:** All component dimensions given in U.S. inches.  
1 inch = 25.4 mm

# REPAIR PARTS

12.5 HP 42" RIDING LAWN TRACTOR - - MODEL NUMBER YE12542B  
42" MOWER



# REPAIR PARTS

## 12.5 HP 42" RIDING LAWN TRACTOR - - MODEL NUMBER YE12542B

### 42" MOWER

KEY NO.	PART NO.	DESCRIPTION	KEY NO.	PART NO.	DESCRIPTION
1	130970	Deck Asm Mower 42"	49	133940	Roller Asm Cam Follower 42"dec
2	130969	V-belt Mower 42" 92 40	50	69180	Nut Lock Esna #10-24 Unc
3	110485X	Bearing Ball Mandrel	51	105529X	Bolt Shoulder 5/16-18 Unc Blkz
4	128774	Housing Mandrel Vented(machd)	52	131845	Arm Asm Pad Brake
5	133172	Shaft Asm Mandrel Vented	53	133944	Washer Hardened Smaller
6	129895	Bearing Ball #6204 (mandrel) (Incl. Key #5)	54	131335	Spring Extension
7	127843	Blade Mower High Perf 42"	55	133551	Rod Pivot W/nibs
8	129962	Washer Hard Blade Mower Vented	56	76020312	Pin Cotter 3/32 x 3/4 Cad
9	10030600	Washer Lock Hvy 3/8 Unplated	57	133504	Rod Clutch Secondary W/nibs
10	850857	Bolt 3/8-24x1 25 Gr8 Patched	58	131857	Guard Mandrel Lh 42"
11	128961	Stripper Mower Vented	59	133550	Rod Clutch Primary W/nibs
12	130968	Shield Deflector 42" Black	60	73350600	Nut Hex Jam 3/8-16 Unc
13	131491	Rod Hinge	61	133205	Trunnion Adj 3/8-16 Unc x 1 30
14	131267	Bracket Deflector Mower 42"	62	4497H	Spring Retainer 1 Zinc/cad
15	110452X	Nut Push Phos & Oil	63	17720410	Screw Hex Thd Cut 1/4-20x5/8 T
16	123713X	Spring Torsion Deflector 2 52	64	127498	Bushing 747 Od x 794 Lg Brass
17	19111016	Washer 11/32 x 5/8 x 16 Ga	65	131870	Spring Return
18	105304X	Cap Sleeve 80x 112 Blk Mower	66	127847	Arm Clutch Secondary
19	73680500	Nut Crown Lock 5/16-18	67	128903	Bolt Shoulder 3/8-16 Unc 1 44
20	72140506	Bolt Rdhd Sqnk 5/16-18 x 3/4	68	12000029	Ring Klip #t5304-75
21	4939M	Retainer Spring	69	121748X	Washer 25/32 x 1 5/8 x 16ga
22	127218	Link Front	70	127845	Keeper Spring 4 000
23	73350800	Nut Jam Hex 1/2-13 Unc	71	132044	Cover Handle Round Black 5 25
24	130171	Trunnion Blk Zinc	72	131813	Lever Asm Clutch Primary Yp
25	73800800	Nylon Washer Ins Nut 1/2-13 x 1/2-13	73	128759	Spring Clutch Mower 2 750 Zinc
26	135388	Link Lift Rh	74	12000022	Ring E Truarc #5133-87
27	135563	Pin Roll	75	19292016	Washer 29/32 x 1-1/4 x 16 Ga
28	130832	Arm Suspension Rear	76	131874X	Shaft Asm Lift Yp Lt
29	134619	Link Lift Lh	77	121718X	Lever Asm Pnt Lift
33	133844	Arm Asm Idler 42"	78	23180606	Screw Set Hex Skt 3/8-16 x 3/8
34	78158	Bolt 5/16-18 x 1 25 T/t	79	121719X	Rod Asm Lever
35	129963	Washer Spacer Mower Vented	80	2876H	Spring 2-1/8
36	129861	Pulley Mandrel 42"	81	122364X	Plunger Lever Lift
37	73050900	Nut 9/16top Lock Fing Oil Dip	82	124526X	Button Plunger Black
38	72110614	Bolt Rdhd 3/8-16uncx1-3/4 Gr5	83	109413X	Grip Handle Bicycle Matte Blk
39	133943	Washer Hardened	84	110810X	Trunnion Dp Stop Dbl Thds Pit
40	131494	Pulley Idler Flat	85	19151216	Washer 15/32 x 3/4 x 16ga
41	122052X	Spacer Retainer Pm Mower	86	12000037	Ring Klip #t5304-37
42	19131612	Washer 13/32 x 1 x 12 Ga	87	110807X	Nut Special
43	133502	Spacer Arm Idler Upper Hdn 42"	88	19131016	Washer 13/32 x 5/8 x 16 Ga
44	133503	Stiffener Arm Idler Upper 42"	89	76020308	Pin Cotter 3/32 x 1/2
45	73680600	Nut Crownlock 3/8-16 Unc	90	110729X	Rod Adj Lift Zinc 9 00 Wrk Lg
46	72110618	Bolt Rdhd Sqnk 3/8-16 x 2-1/4	91	100734K	Knob Infinite 3/8-16 Unc Black
47	133835	Fastner Christmas Tree	92	134753	Stiffener Bracket
48	131340	Bolt Shldr 10-24 Zinc Gr 5 42"	93	8330H	Key Woodruff 1/4 x 1
				132711	Deck Serv 42"hp Mech E/f/g/d

NOTE: All component dimensions given in U.S. inches  
1 inch = 25.4 mm

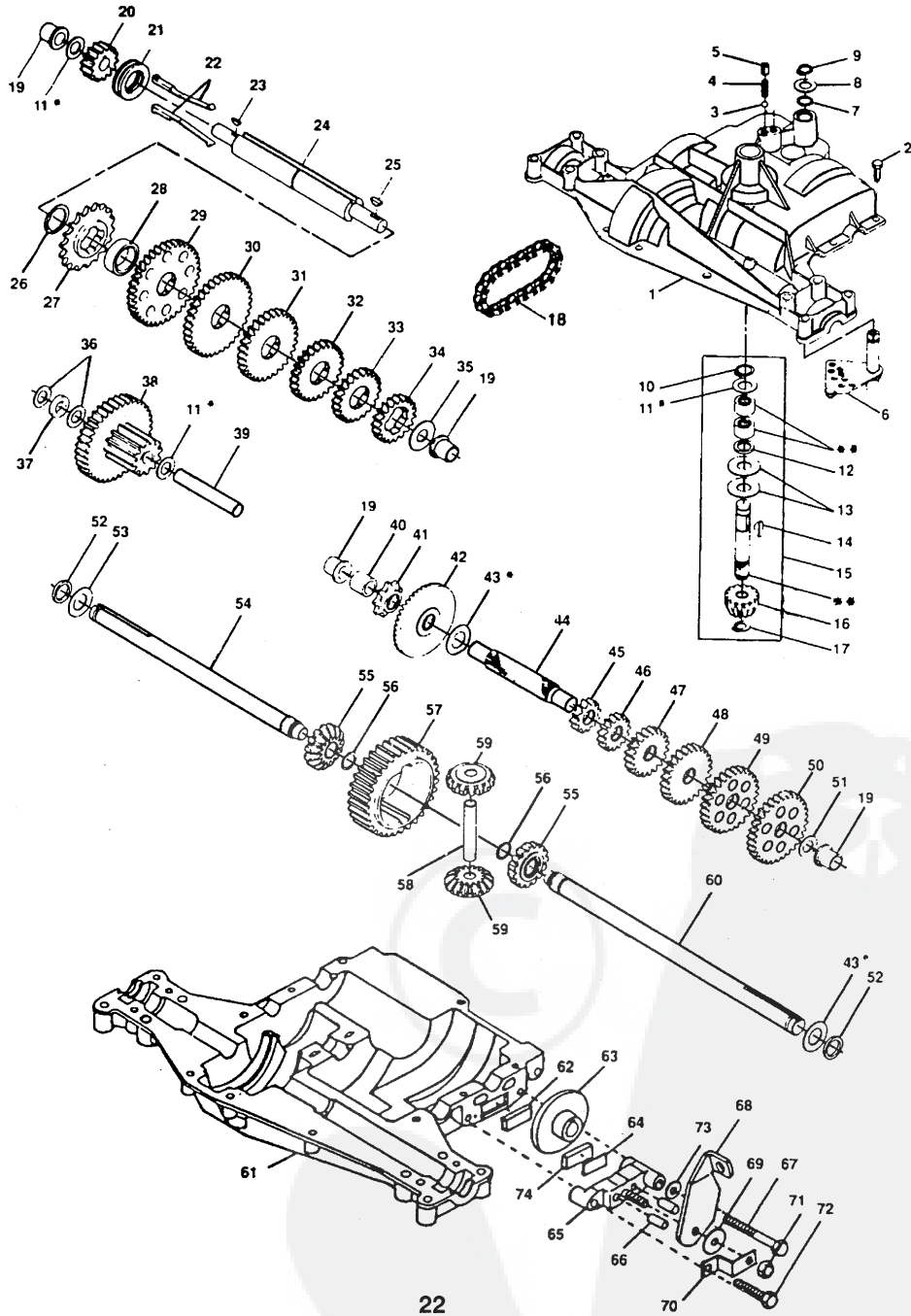


# REPAIR PARTS

12.5 HP 42" RIDING LAWN TRACTOR - - MODEL NUMBER YE12542B

DANA TRANSAXLE - MODEL NUMBER 4360-07

## TRANSAXLE



# REPAIR PARTS

12.5 HP 42" RIDING LAWN TRACTOR - - MODEL NUMBER YE12542B

DANA TRANSAXLE - MODEL NUMBER 4360-07

## TRANSAXLE

KEY PART NO.	NO.	DESCRIPTION	KEY PART NO.	NO.	DESCRIPTION
1	3865	Housing, Upper	41	3645	Sprocket, 9 Teeth
2	1919	Screw, Tapping, Large 1/4-20 x .734	42	3853	Gear, Bevel, 42 Teeth
3	1151	Ball, Detent	43	3749	* Washer, Plain .758 x 1.12 x .010
4	3626	Spring, Detent	3652	3652	* Washer, Plain .758 x 1.12 x .015
5	3623	Screw, Set	3693	3693	* Washer, Plain .758 x 1.12 x .020
6	4336	Assembly, Shifter	3653	3653	* Washer, Plain .758 x 1.12 x .025
7	3884	O-Ring	3408	3408	* Washer, Plain .758 x 1.25 x .020
8	3885	* Washer, Plain .505 x .942 x .006	3732	3732	* Washer, Plain .758 x 1.25 x .025
	3886	* Washer, Plain .505 x .942 x .010	3184	3184	* Washer, Plain .758 x 1.25 x .031
	3887	* Washer, Plain .505 x .942 x .015	3733	3733	* Washer, Plain .758 x 1.25 x .035
	3888	* Washer, Plain .505 x .942 x .020	3198	3198	* Washer, Plain .758 x 1.25 x .040
	3889	* Washer, Plain .505 x .942 x .026	3734	3734	* Washer, Plain .758 x 1.25 x .045
	3121	* Washer, Plain .505 x .942 x .030	3735	3735	* Washer, Plain .758 x 1.25 x .050
	3890	* Washer, Plain .505 x .942 x .040	3736	3736	* Washer, Plain .758 x 1.25 x .055
9	1100	Ring, Retaining	3180	3180	* Washer, Plain .758 x 1.25 x .062
10	1099	Ring, Retaining	44	3882	Shaft, Drive
11	1959	* Washer, Plain .632 x 1.00 x .010	45	3646	Gear, Spur, 12 Teeth
	1441	* Washer, Plain .632 x 1.00 x .020	46	3707	Gear, Spur, 15 Teeth
	1423	* Washer, Plain .632 x 1.00 x .026	47	3866	Gear, Spur, 20 Teeth
	1082	* Washer, Plain .632 x 1.00 x .031	48	3719	Gear, Spur, 25 Teeth
	1424	* Washer, Plain .632 x 1.00 x .036	49	3868	Gear, Spur, 28 Teeth
	1068	* Washer, Plain .632 x 1.00 x .041	50	3683	Gear, Spur, 31 Teeth
	1425	* Washer, Plain .632 x 1.00 x .046	51	1145	Washer, Plain .632 x 1.00 x .060
	1358	* Washer, Plain .632 x 1.00 x .050	52	3191	Seal, Felt
	1145	* Washer, Plain .632 x 1.00 x .060	53	3180	Washer, Plain .758 x 1.25 x .062
	1319	* Washer, Plain .632 x 1.00 x .082	54	3880	Axle, Left Hand
12	3312	O-Ring	55	3780	Gear, Miter, 15 Teeth
13	3876	Washer, Plain .632 x 1.38 x .046	56	3656	Ring, Retaining
14	1374	Key, Woodruff #9	57	3839	Gear, Spur, 32 Teeth
15	4134	Assembly, Kit, Input Shaft	58	3919	Shaft, Cross
16	3590	Pinion, Bevel, 14 Teeth	59	3781	Gear, Miter, 15 Teeth
17	3624	Ring, Retaining	60	3881	Axle, Right Hand
18	3625	Chain, 24 Pitches	61	3864	Housing, Lower
19	1542	Bearing, Flange	62	3920	Puck, Friction
20	3773	Gear, Spur, 14 Teeth	63	3276	Disc, Brake
21	3631	Collar, Clutch	64	3758	Spacer
22	3828	Key, Clutch	65	3916	Jaw, Brake
23	1369	Key, Woodruff	66	3843	Pin, Dowel
24	3883	Shaft, Intermediate	67	3915	Screw, Tapping, Large 5/16-18 x 2.25
25	1375	Key, Woodruff #61	68	3768	Lever, Actuating
26	3627	Ring, Retaining	69	3760	Washer, Plain .321 x 1.00 x .055
27	3830	Sprocket, 18 Teeth	70	3917	Bracket, Anti-Rotation
28	3841	Spacer	71	3847	Locknut 5/16-24
29	3786	Gear, Spur, 37 Teeth	72	3724	Screw, Tapping, Large 5/16-18 x 1.44
30	3785	Gear, Spur, 35 Teeth	73	3906	Washer, Plain .343 x .81 x .059
31	3867	Gear, Spur, 30 Teeth	74	3907	Puck, Friction
32	3783	Gear, Spur, 25 Teeth	75	4300	Grease
33	3869	Gear, Spur, 22 Teeth			
34	3741	Gear, Spur, 19 Teeth			
35	3628	Washer, Plain .640 x 1.37 x .061			
36	1423	Washer, Plain .632 x 1.00 x .026			
37	3422	Spacer .630 x 1.00 x .169			
38	4286	Assembly, Gear, Combination of 12 Teeth and 35 Teeth			
39	3877	Shaft, Idler			
40	3901	Spacer .635 x .875 x .755			

\* Use In Various Combinations To Maintain Proper Clearances.

\*\* Order Key Number 15

NOTE: All component dimensions given in U.S. inches  
1 inch = 25.4 mm

## LIMITED WARRANTY

The Manufacturer warrants to the original consumer purchaser that this product as manufactured is free from defects in materials and workmanship. For a period of one (1) year from date of purchase by the original consumer purchaser, we will repair or replace, at our option, without charge for parts or labor incurred in replacing parts, any part which we find to be defective due to materials or workmanship. This Warranty is subject to the following limitations and exclusions.

1. This warranty does not apply to the engine, transaxle/transmission components, battery (except as noted below) or components parts thereof. Please refer to the applicable manufacturer's warranty on these items.
  2. Transportation charges for the movement of any power equipment unit or attachment are the responsibility of the purchaser. Transportation charges for any parts submitted for replacement under this warranty must be paid by the purchaser unless such return is requested by American Yard Products, Inc.
  3. Battery Warranty: On products equipped with a Battery, we will replace, without charge to you, any battery which we find to be defective in manufacture, during the first ninety (90) days of ownership. After ninety (90) days, we will exchange the Battery, charging you 1/12 of the price of a new Battery for each full month from the date of the original sale. Battery must be maintained in accordance with the instructions furnished.
  4. The Warranty period for any products used for rental or commercial purposes is limited to 90 days from the date of original purchase.
  5. This Warranty applies only to products which have been properly assembled, adjusted, operated, and maintained in accordance with the instructions furnished. This Warranty does not apply to any product which has been subjected to alteration, misuse, abuse, improper assembly or installation, delivery damage, or to normal wear of the product.
  6. Exclusions: Excluded from this Warranty are belts, blades, blade adapters, normal wear, normal adjustments, standard hardware and normal maintenance.
  7. In the event you have a claim under this Warranty, you must return the product to an authorized service dealer.
- Should you have any unanswered questions concerning this Warranty, please contact:

**In U.S.A. contact:**

American Yard Products, Inc.  
Service Department  
P.O. Box 370  
McRae, GA 31055

**In Canada contact:**

AYP Canada, Inc.  
1040 Jayson Court  
Mississauga, Ontario  
L4W 2V5

**International contact:**

American Yard Products, Inc.  
Service Department  
P.O. Box 1687  
Orangeburg, SC 29116 USA

giving the model number, serial number and date of purchase of your product and the name and address of the authorized dealer from whom it was purchased.

THIS WARRANTY DOES NOT APPLY TO INCIDENTAL OR CONSEQUENTIAL DAMAGES AND ANY IMPLIED WARRANTIES ARE LIMITED TO THE SAME TIME PERIODS STATED HEREIN FOR OUR EXPRESSED WARRANTIES. Some areas do not allow the limitation of consequential damages or limitations of how long an implied Warranty may last, so the above limitations or exclusions may not apply to you. This Warranty gives you specific legal rights, and you may have other rights which vary from locale to locale.

This is a limited Warranty within the meaning of that term as defined in the Magnuson-Moss Act of 1975.