

# REPAIR PARTS MANUAL

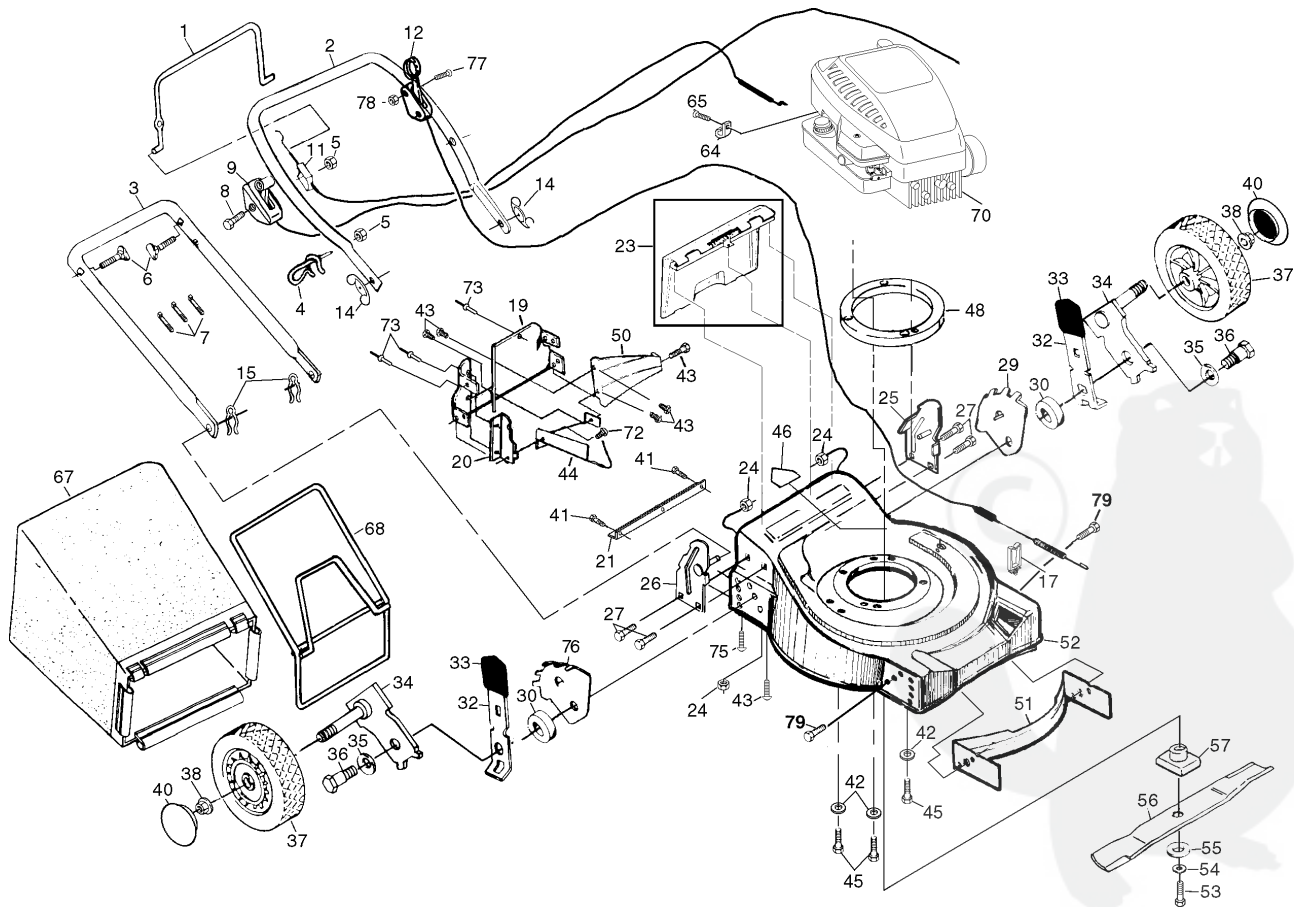
## MODEL NO. RE2C671F

### Rotary Lawn Mower

---

# Rally

# ROTARY LAWN MOWER -- MODEL NUMBER RE2C671F



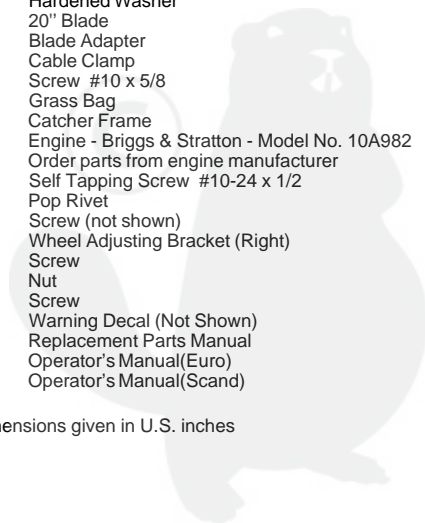
# ROTARY LAWN MOWER - - MODEL NUMBER RE2C671F

3

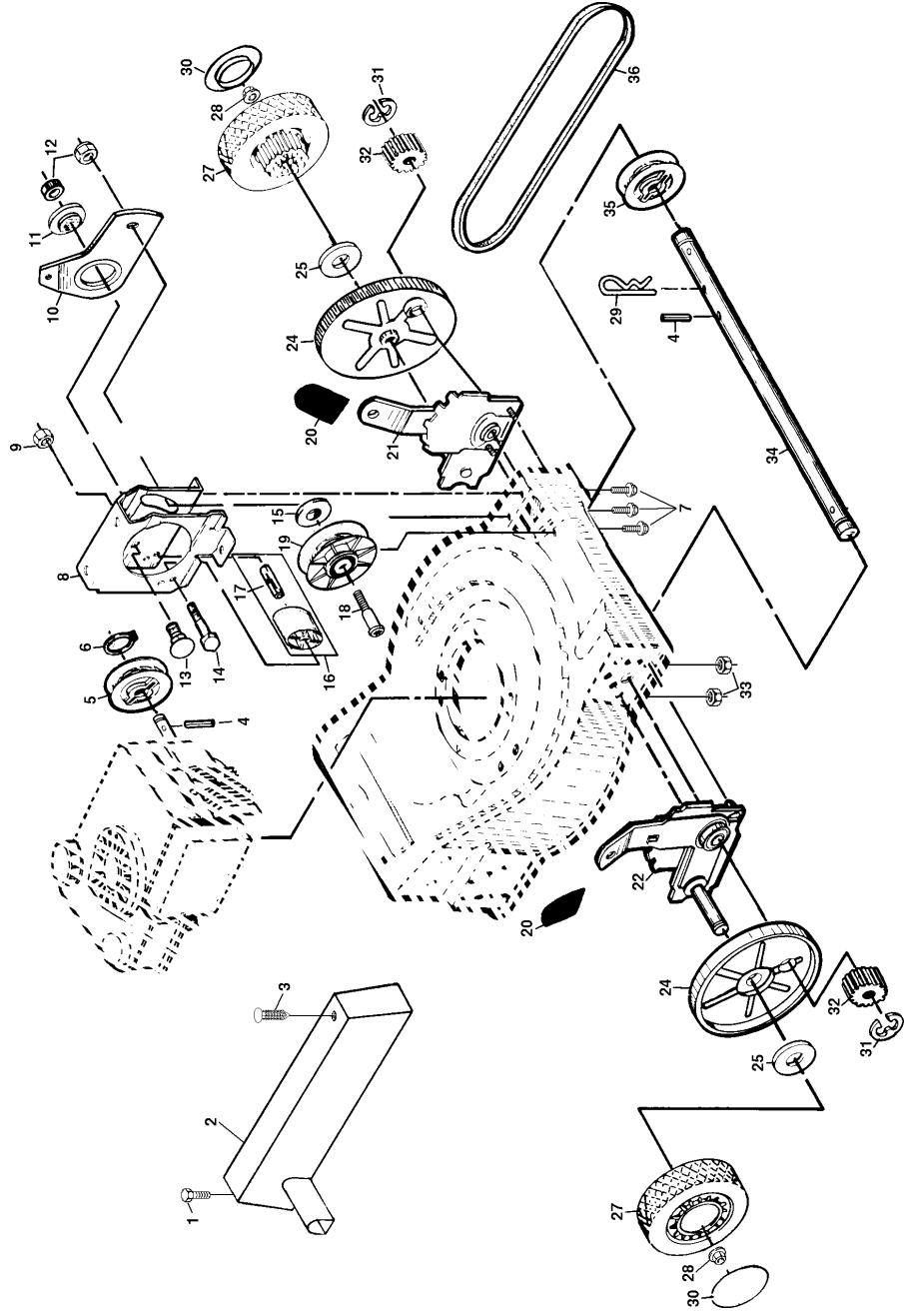
KEY NO.	PART NO.	DESCRIPTION	KEY NO.	PART NO.	DESCRIPTION
1	146771	Control Bar	42	53998	Flat Washer
2	166860X479	Upper Handle	43	54583	Hex Tapping Screw 1/4-20 x 1/2
3	151590X479	Lower Handle	44	133188X479	Discharge Baffle
4	132001	Rope Guide	45	850999	Hex Head Thread Rolling Screw 3/8-16 x 2
5	63601	Locknut 1/4-20	46	145494	Danger Decal
6	131959	Handle Bolt	48	850988	Engine Spacer
7	66426	Wire Tie	50	169207X479	Rear Baffle
8	144929	Hex Washer Head Screw 1/4-20 x 2.12	51	170635	Front Baffle Kit
9	166971	Throttle Control	52	170677	Housing Assembly (Incl. Ref. #46)
11	701181	Engine Zone Control Cable	53	851084	Hex Head Bolt 3/8-24 x 1-3/8 Grd. 8
12	146392	Drive Control	54	850263	Helical Lock Washer
14	128638	Wing Nut	55	851074	Hardened Washer
15	51793	Hairpin Cotter	56	850972	20" Blade
17	145669	Drive Cable Guide	57	851514	Blade Adapter
19	156445X479	Back Plate	64	213146	Cable Clamp
20	700363X479	Side Baffle	65	83816	Screw #10 x 5/8
21	146143X479	Foot Guard	67	149619	Grass Bag
23	147613	Rear Door Assembly Kit	68	149555	Catcher Frame
24	751592	Locknut 3/8-16	70	-----	Engine - Briggs & Stratton - Model No. 10A982
25	151589X479	Handle Bracket Assembly (Left)	72	150050	Order parts from engine manufacturer
26	151588X479	Handle Bracket Assembly (Right)	73	128415	Self Tapping Screw #10-24 x 1/2
27	150078	Screw 5/16-18 x 3/4	75	88652	Pop Rivet
29	134340	Wheel Adjusting Bracket (Left)	77	158755	Screw (not shown)
30	146630	Spacer	76	134341	Wheel Adjusting Bracket (Right)
32	850862X004	Selector Spring	77	158755	Screw
33	87877	Selector Knob	78	751152	Nut
34	145937X004	Axle Arm Assembly	79	17600406	Screw
35	62335	Belleville Washer	80	161057	Warning Decal (Not Shown)
36	142748	Shoulder Bolt 3/8-16	--	177012	Replacement Parts Manual
37	148438	Wheel & Tire Assembly	--	173222	Operator's Manual(Euro)
38	83923	Flanged Locknut	--	173225	Operator's Manual(Scand)
40	77400	Hubcap			
41	146694	Screw			

**NOTE:** All component dimensions given in U.S. inches

1 inch = 25.4 mm



# ROTARY LAWN MOWER -- MODEL NUMBER RE2C671F



# ROTARY LAWN MOWER -- MODEL NUMBER RE2C671F

KEY NO.	PART NO.	DESCRIPTION	KEY NO.	PART NO.	DESCRIPTION
1	141912	Hex Washer Head Screw #10-24 x 1/2	19	88516	Idler Pulley
2	154049	Drive Cover	20	87877	Selector Knob
3	701477	Push Fastener	21	152465	Adjuster Assembly (Left)
4	164795	Drive Pawl	22	152463	Adjuster Assembly (Right)
5	88043	Drive Pulley	24	88080	Dust Cover
6	12000030	Retaining Ring	25	67725	Washer
7	54583	Screw 1/4-20 x 1/2	27	750124	Wheel & Tire Assembly
8	851947X004	Clutch Frame	28	145212	Flanged Locknut
9	50962	Locknut 1/4-20	29	85179	Retainer Clip
10	702631X004	Clutch Lever	30	77400	Hubcap
11	88067	Clutch Lever Spacer	31	12000058	E-Ring
12	750253	Locknut 5/16-18	32	137054	Pinion
13	72070504	Carriage Bolt 5/16-18 x 1/2	33	63601	Locknut 1/4-20
14	74350424	Hex Head Screw 1/4-20 x 1-1/2	34	630537	Drive Shaft
15	88069	Spacer	35	88082	Driven Pulley
16	48160	Idler Assembly (Includes Key No. 17)	36	111924X	Drive Belt
17	88576	Idler Spacer			
18	88517	Shoulder Bolt 5/16-18 x 1-3/8			

**NOTE:** All component dimensions given in U.S. inches

1 inch = 25.4 mm