

REPAIR PARTS MANUAL

MODEL NUMBER RE3H402E

Rotary Lawn Mower

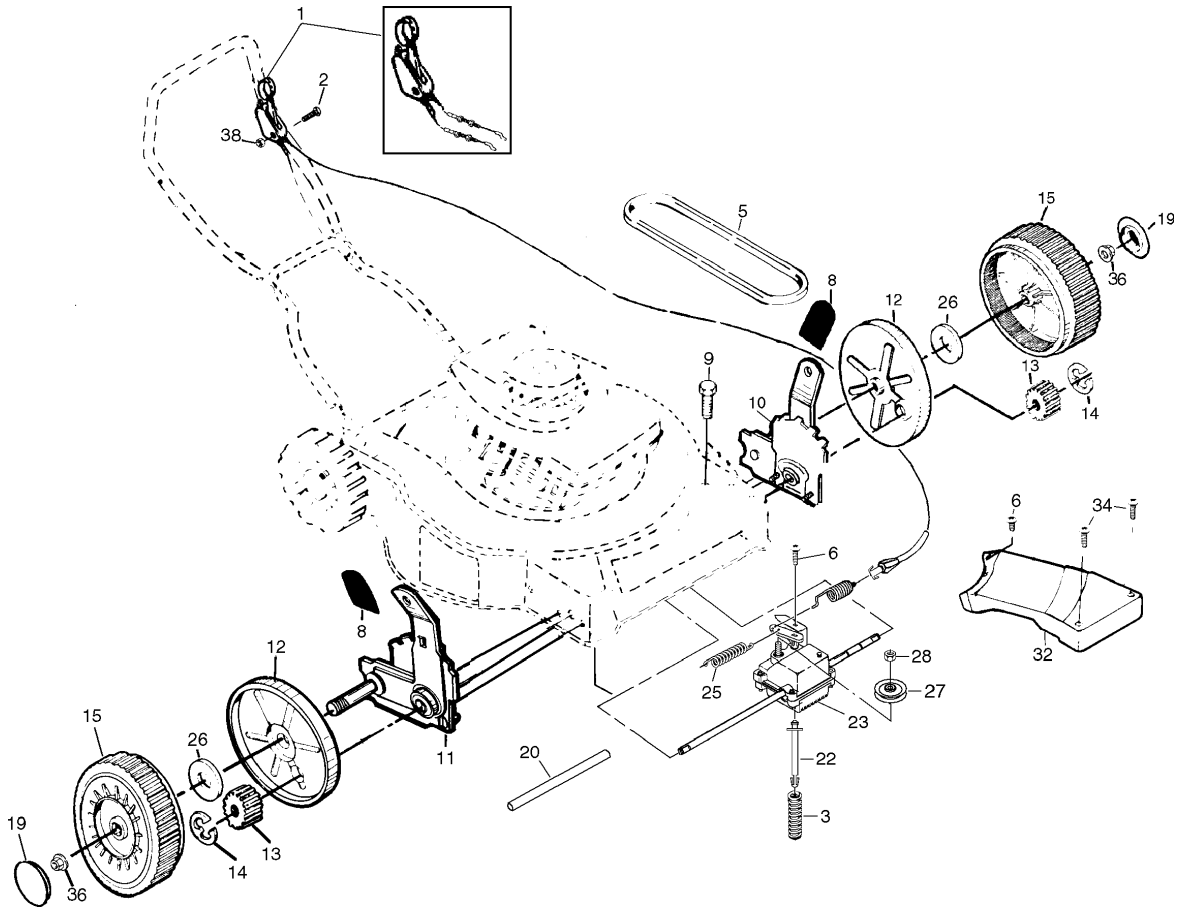
Rally

ROTARY LAWN MOWER - - MODEL NUMBER RE3H402E

| KEY NO. | PART NO. | DESCRIPTION | KEY NO. | PART NO. | DESCRIPTION |
|------------|-------------------|--------------------------------------|------------|---------------|---|
| 1 | 146771 | Control Bar | 53 | 134612 | Debris Shield |
| 3 | 166860X479 | Upper Handle | 54 | 150406 | Hex Head Thread Rolling Screw 3/8-16 x 1 |
| 7 | 128638 | Wing Nuts | 55 | 851084 | Hex Head Screw 3/8-24 x 1-3/8 Grade 8 |
| 8 | 63601 | Locknut 1/4-20 | 56 | 850263 | Helical Lock Washer 3/8 |
| 9 | 66426 | Wire Ties | 57 | 851074 | Hardened Washer |
| 11 | 153638 | Rope Guide | 58 | 141114 | 22" Blade |
| 12 | 69180 | Locknut #10-24 | 59 | 851514 | Blade Adapter |
| 13 | 700417 | Throttle Control | 61 | 170491 | Front Baffle Kit |
| 14 | 144929 | Hex Washer Head Screw 1/4-20 x 2-1/8 | -- | 134027X479 | Rear Baffle (Not Shown) |
| 15 | 151590X479 | Lower Handle | 66 | 84596 | Engine Pulley |
| 16 | 131959 | Handle Bolt 5/16-18 x 1-3/4 | 67 | 87677 | Hi-Pro Key #HP 505 |
| 17 | 51793 | Hairpin Cotter | 70 | --- | Engine, Briggs & Stratton, Model No. 12H802 (Order parts from engine manufacturer) |
| 26 | 147286 | Hinge Rod | 71 | 154147 | Foot Guard |
| 27 | 87589 | Torsion Spring | 72 | 85825 | Self Tapping Screw #10-24 x 1 |
| 28 | 87593 | Housing Bracket Assembly | 74 | 145494 | Warning Decal |
| 29 | 750149 | Discharge Guard | 77 | 149293 | MZR Cable |
| 30 | 77400 | Hubcap | 79 | 751772X479 | Mulcher Plate |
| 33 | 146247 | Wheel & Tire Assembly | 80 | 83923 | Washer 17/32 x 1 x 21 Ga. |
| 34 | 142748 | Shoulder Bolt 3/8-16 x 1 | 83 | 128415 | Pop Rivet |
| 35 | 62335 | Belleville Washer 1/2 | 84 | 17600406 | Screw Hex Serrated 1/2 x 20 TT |
| 36 | 145935X004 | Axle Arm Assembly | 85 | 111190X | Cable Clamp |
| 37 | 87877 | Selector Knob | 86 | 83816 | Screw #10 x 5/8 |
| 38 | 700331X004 | Selector Spring | -- | 173310 | Operator's Manual, Euro. |
| 40 | 146630 | Spacer | -- | 173311 | Operator's Manual, Scan |
| 41 | 700325X007 | Wheel Adjusting Bracket | -- | 177041 | Repair Parts Manual |
| 43 | 170346X479 | Handle Bracket Assembly (Left) | | | Available Accessories not included with mower: |
| 44 | 170345X479 | Handle Bracket Assembly (Right) | -- | GCK5000 | Grass Catcher |
| 45 | 170499 | Lawn Mower Housing (Incl. Ref. 74) | | | |
| 47 | 149741 | Self Tapping Screw 5/16-18 x 3/4 | | | |
| 48 | 751592 | Locknut 3/8-16 | | | |
| 49 | 63601 | Locknut 1/4-20 | | | |
| 52 | 851201X004 | Washer | | | |

NOTE: All component dimensions given in U.S. inches.
1 inch = 25.4 mm

ROTARY LAWN MOWER -- MODEL NUMBER RE3H402E



ROTARY LAWN MOWER -- MODEL NUMBER RE3H402E

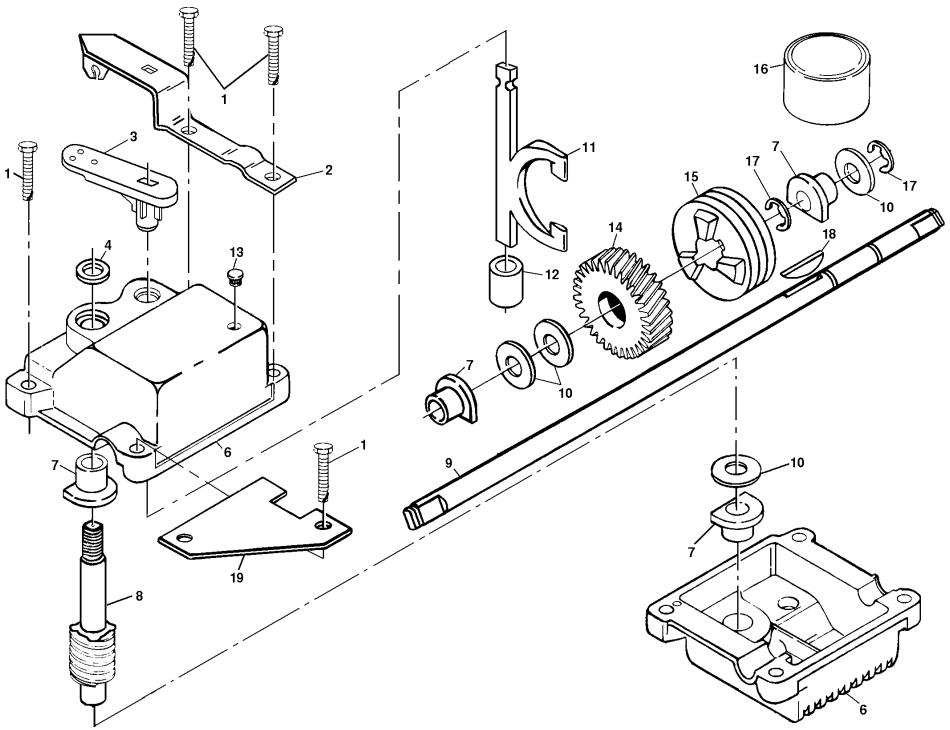
| KEY NO. | PART NO. | DESCRIPTION |
|---------|----------|---|
| 1 | 145755 | Drive Control |
| 2 | 158755 | Pan Head Machine Screw 1/4-20 x 2-3/16 |
| 3 | 63601 | Locknut |
| 5 | 146527 | V-Belt |
| 6 | 750097 | Screw |
| 8 | 87877 | Selector Knob |
| 9 | 150495 | Hex Head Bolt 1/4-20 x 2 |
| 10 | 151521 | Wheel Adjuster Assembly (Left) |
| 11 | 151520 | Wheel Adjuster Assembly (Right) |
| 12 | 88080 | Dust Cover |
| 13 | 137054 | Pinion |
| 14 | 12000058 | E-Ring |
| 15 | 700953 | Wheel & Tire Assembly |
| 19 | 77400 | Hubcap |

| KEY NO. | PART NO. | DESCRIPTION |
|---------|----------|--|
| 20 | 86012 | Drive Shaft Cover |
| 22 | 137090 | Spring |
| 23 | 702511 | Gear Case Assembly |
| 25 | 75192 | Spring |
| 26 | 67725 | Washer |
| 27 | 137052 | Drive Pulley |
| 28 | 132010 | Locknut |
| 32 | 137088 | Drive Cover |
| 34 | 146072 | Pan Head Tapping Screw #10-24 x 2-3/4 |
| 36 | 145212 | Locknut |
| 38 | 751152 | Nut |

NOTE: All component dimensions given in U.S. inches.
1 inch = 25.4 mm

ROTARY LAWN MOWER - - MODEL NUMBER RE3H402E

GEAR CASE ASSEMBLY PART NUMBER 702511



| KEY NO. | PART NO. | DESCRIPTION |
|---------|------------|---|
| 1 | 17490416 | Tapping Screw 1/4-20 x 1-1/4 |
| 2 | 137055X004 | Engagement Bracket |
| 3 | 137053 | Shifter |
| 4 | 57072 | Seal |
| 6 | 483373 | Gear Case Halves Kit (Includes Key Nos. 4 and 7) |
| 7 | 77881 | Bearing |
| 8 | 137051 | Worm Shaft |
| 9 | 137074 | Drive Shaft |
| 10 | 57079 | Hardened Washer |
| 11 | 131484 | Clutch Yoke |
| 12 | 700343 | Bushing |
| 13 | 86447 | Plug |
| 14 | 137050 | Helical Gear |
| 15 | 750436 | Clutch Jaw |
| 16 | 750369 | Grease |
| 17 | 12000003 | E-Ring |
| 18 | 850848 | Hi-Pro Key |
| 19 | 81585X004 | Spring Bracket |

NOTE: All component dimensions given in U.S. inches.
1 inch = 25.4 mm