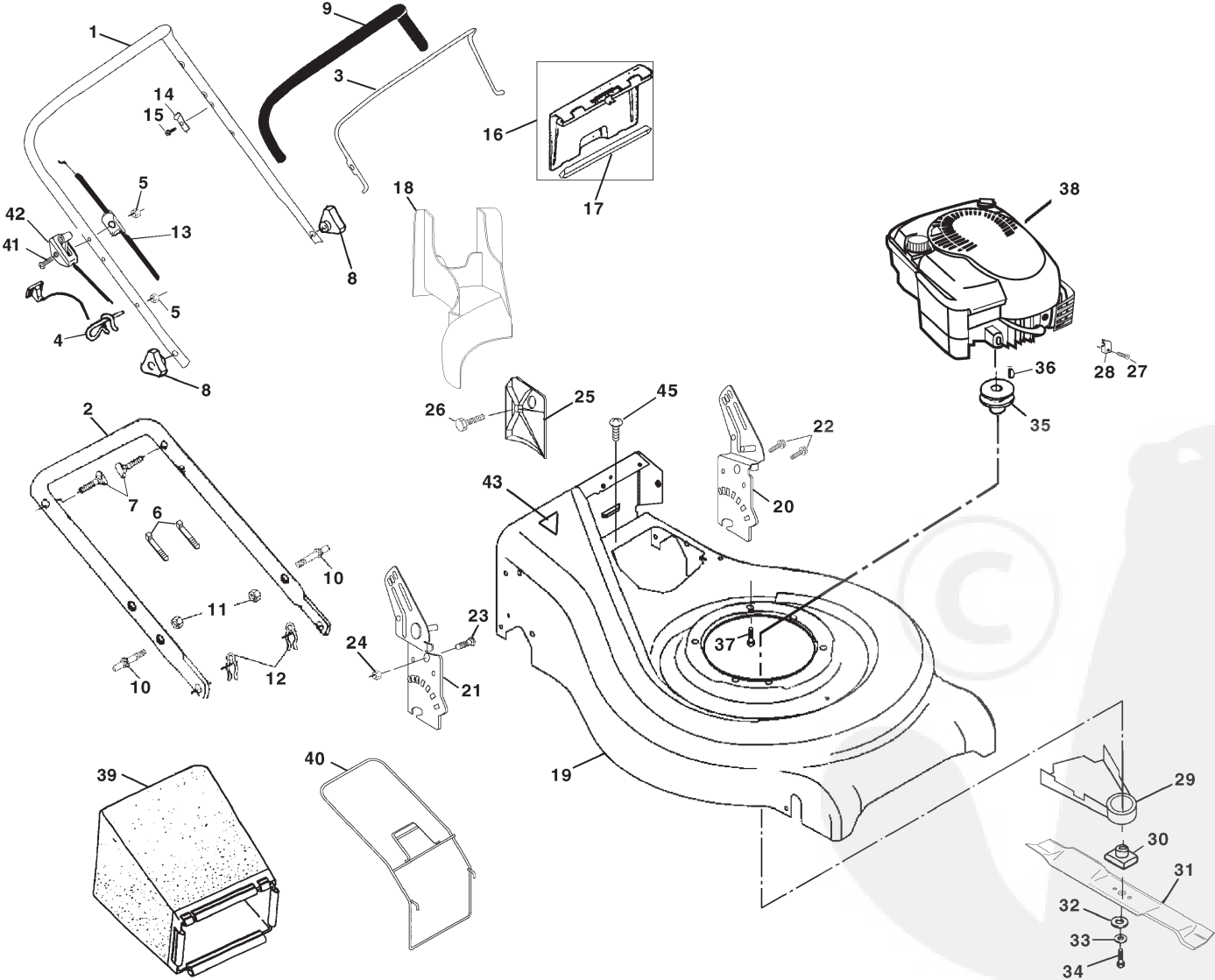


REPAIR PARTS MANUAL
MODEL NUMBER RE621C
Rotary Lawn Mower

Rally

00137

ROTARY LAWN MOWER - - MODEL NUMBER RE621C (RE621CF) - PRODUCT NUMBER 964 79 44-00



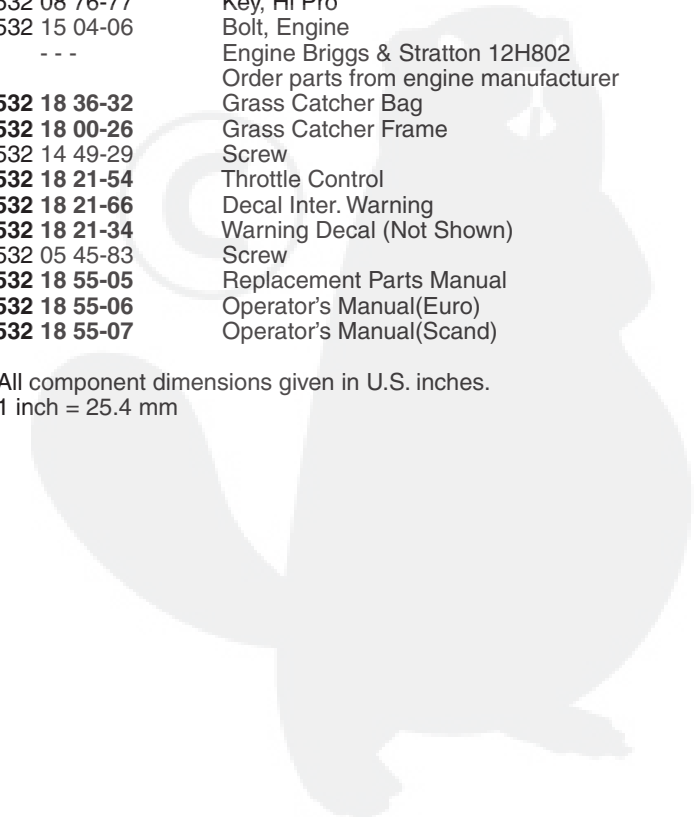
ROTARY LAWN MOWER - - MODEL NUMBER RE621C (RE621CF) - PRODUCT NUMBER 964 79 44-00

3

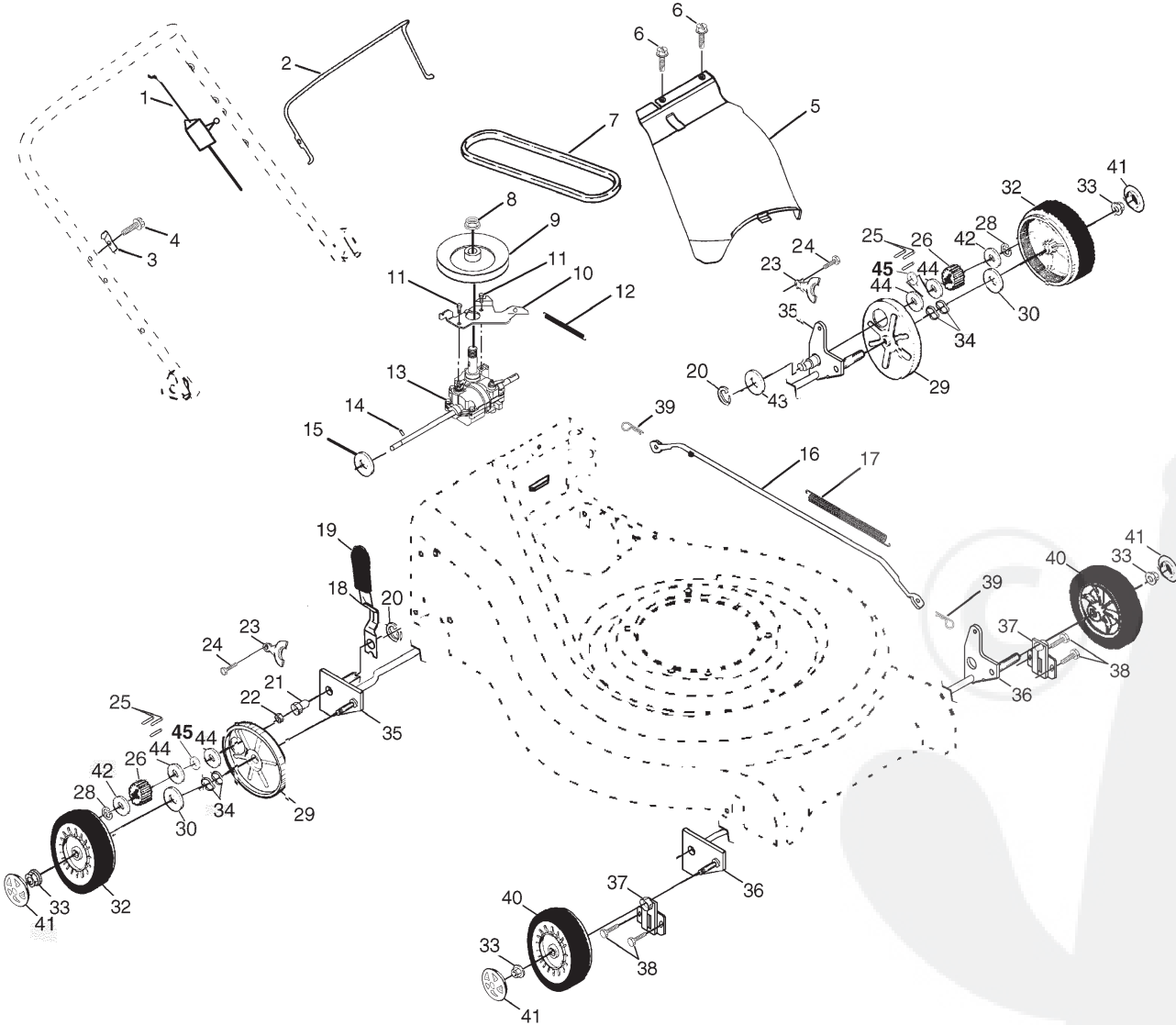
KEY NO.	PART NO.	DESCRIPTION
1	532 16 71-63	Handle, Upper Dlx Comf.
2	532 16 45-56	Handle, Lower
3	532 13 10-36	Bail, Cont. Wire Dlx Comf. Blk
4	532 17 95-85	Guide, Rope, Side
5	532 13 20-04	Nut, Hex Lockwasher 1/4-20
6	532 06 64-26	Wire, Tie
7	532 13 19-59	Bolt, Handle 5/16-18 x 1.75
8	532 08 76-92	Knob, Handle
9	532 16 42-65	Grip, Hdl Foam Smooth
10	532 16 15-51	Bolt, Sq. Neck
11	873 99 05-00	Nut, Hex Lockwasher Ins. 5/16-18 UNC
12	532 05 17-93	Cotter, Hairpin
13	532 13 31-07	Cable
14	532 12 51-62	Bracket, Upstop
15	532 75 06-34	Screw, Hex Washer Head Tapping 10-2
16	532 16 20-85	Kit, Door Rear
17	532 17 98-85	Seal, Door
18	532 18 27-78	Plug, Mulcher
19	532 16 34-24	Kit, Housing
20	532 16 45-48	Handle, Bracket
21	532 16 93-06	Handle, Bracket Asm. Right
22	532 15 00-78	Screw, Hex Wshd
23	532 16 31-83	Bolt, Hex Head 5/16-18 x 5/8
24	532 06 31-24	Nut, Hex Lock Wshr 5/16-18
25	532 16 13-33	Baffle, Side
26	532 16 34-09	Screw 12 x 5/8

KEY NO.	PART NO.	DESCRIPTION
27	532 08 38-16	Screw
28	532 11 11-90	Cable Clamp
29	532 18 20-02	Shield, Debris Modified
30	532 85 15-14	Adapter
31	532 15 92-67	Blade, 21"
32	532 17 50-52	Washer, Hardened
33	532 85 02-63	Lockwasher, Helical Spring 3/8
34	532 85 10-84	Screw, Hex Head 3/8-24 x 1.38
35	532 08 45-96	Pulley, Engine
36	532 08 76-77	Key, Hi Pro
37	532 15 04-06	Bolt, Engine
38	- - -	Engine Briggs & Stratton 12H802
		Order parts from engine manufacturer
39	532 18 36-32	Grass Catcher Bag
40	532 18 00-26	Grass Catcher Frame
41	532 14 49-29	Screw
42	532 18 21-54	Throttle Control
43	532 18 21-66	Decal Inter. Warning
44	532 18 21-34	Warning Decal (Not Shown)
45	532 05 45-83	Screw
--	532 18 55-05	Replacement Parts Manual
--	532 18 55-06	Operator's Manual(Euro)
--	532 18 55-07	Operator's Manual(Scand)

NOTE: All component dimensions given in U.S. inches.
1 inch = 25.4 mm



ROTARY LAWN MOWER - - MODEL NUMBER RE621C (RE621CF) - PRODUCT NUMBER 964 79 44-00



ROTARY LAWN MOWER - - MODEL NUMBER RE621C (RE621CF) - PRODUCT NUMBER 964 79 44-00

5

KEY NO.	PART NO.	DESCRIPTION
1	532 16 15-87	Cable Drive
2	532 16 14-73	Bail Control Drive
3	532 16 45-57	Bracket, Downstop
4	532 75 06-34	Screw Hex Wash Head Tapping 10-2
5	532 16 15-37	Cover Drive
6	532 75 06-34	Screw Thdrol 10-25 x .50
7	532 16 08-16	V-Belt
8	532 13 20-10	Nut Lock Flanged 3/8-16 Zinc
9	532 16 39-39	Pulley Driven
10	532 16 45-53	Belt Keeper
11	817 54 10-11	Screw Hex Wash Head 10-24 X .668
12	532 07 51-92	Spring
13	532 16 96-11	Transmission Asm.
14	532 14 53-54	Pin Spring Thrust
15	532 05 70-79	Washer Hardened
16	532 16 15-84	Rod Connecting
17	532 16 16-02	Spring Extension
18	532 16 45-54	Spring Selector
19	532 16 19-61	Knob Selector Spring
20	812 00 00-22	E-Ring 7/8
21	532 16 33-65	Bearing Support
22	532 16 99-11	Bearing Ball
23	532 16 45-55	Retainer Drive Asm. Stmp.

KEY NO.	PART NO.	DESCRIPTION
24	532 05 78-08	Screw Hex Head Tapping 1/4-20 x .75
25	532 17 00-11	Drive Pawl
26	532 16 64-50	Pinion, Drive
28	812 00 00-58	E-Ring 7/16
29	532 18 05-04	Cover, Dust Wheel
30	532 06 77-25	Washer 1/2 x 1-1/2 x .134
32	532 16 20-62	Wheel 9 x 2
33	532 08 39-23	Nut Hex Flange Lock
34	532 05 71-43	Wave Washer
35	532 16 45-52	Shaft Asm. Rear
36	532 16 45-50	Shaft Asm. Front
37	532 16 14-63	Retainer Front Shaft
38	532 16 34-09	Screw 12 x 5/8
39	532 70 02-79	Clip Retainer
40	532 14 62-47	Wheel 8 x 2
41	532 07 74-00	Hubcap
42	532 05 21-60	Washer
43	819 57 22-16	Washer
44	532 06 23-35	Washer
45	532 08 81-18	Felt Washer

NOTE: All component dimensions given in U.S. inches.
1 inch = 25.4 mm



SERVICE NOTES



SERVICE NOTES



CONGRATULATIONS on your purchase of a new lawn mower. Your lawn mower has been designed, engineered and manufactured to give you the best possible dependability and performance.

LIMITED WARRANTY

The Manufacturer warrants to the original consumer purchaser that this product as manufactured is free from defects in materials and workmanship. For a period of one (1) year from date of purchase by the original consumer purchaser, we will repair or replace, at our option, without charge for parts or labor incurred in replacing parts, any part which we find to be defective due to materials or workmanship. This Warranty is subject to the following limitations and exclusions.

1. This warranty does not apply to the engine. Please contact your nearest dealer where they will send the machine to the engine manufacturer.
2. Transportation charges for the movement of any power equipment unit or attachment are the responsibility of the purchaser. Transportation charges for any parts submitted for replacement under this warranty must be paid by the purchaser unless such return is requested by your dealer.
3. Battery Warranty: On products equipped with a Battery, we will replace, without charge to you, any battery which we find to be defective in manufacture, during the first ninety (90) days of ownership. After ninety (90) days, we will exchange the Battery, charging you 1/12 of the price of a new Battery for each full month from the date of the original sale. Battery must be maintained in accordance with the instructions furnished.
4. The Warranty period for any products used for rental or commercial purposes is limited to 90 days from the date of original purchase.
5. This Warranty applies only to products which have been properly assembled, adjusted, operated, and maintained in accordance with the instructions furnished. This Warranty does not apply to any product which has been subjected to alteration, misuse, abuse, improper assembly or installation, delivery damage, or to normal wear of the product.
6. Exclusions: Excluded from this Warranty are belts, blades, blade adapters, normal wear, normal adjustments, standard hardware and normal maintenance.
7. In case of any problem within the boundaries of this warranty, contact the nearest department store, indicate the model number, serial number and the date of purchase of your machine. This warranty does not apply to accidental damages. All implicit warranties are limited to the same time frames. Or contact:

E.M. Services
54 Rue Lambrechts
92400 Courbevoie
France
Telephone: (1) 46678078
Fax: (1) 46678095

THIS WARRANTY DOES NOT APPLY TO INCIDENTAL OR CONSEQUENTIAL DAMAGES. ANY IMPLIED WARRANTIES ARE LIMITED TO THE SAME TIME PERIODS STATED HEREIN.

Rally

00137