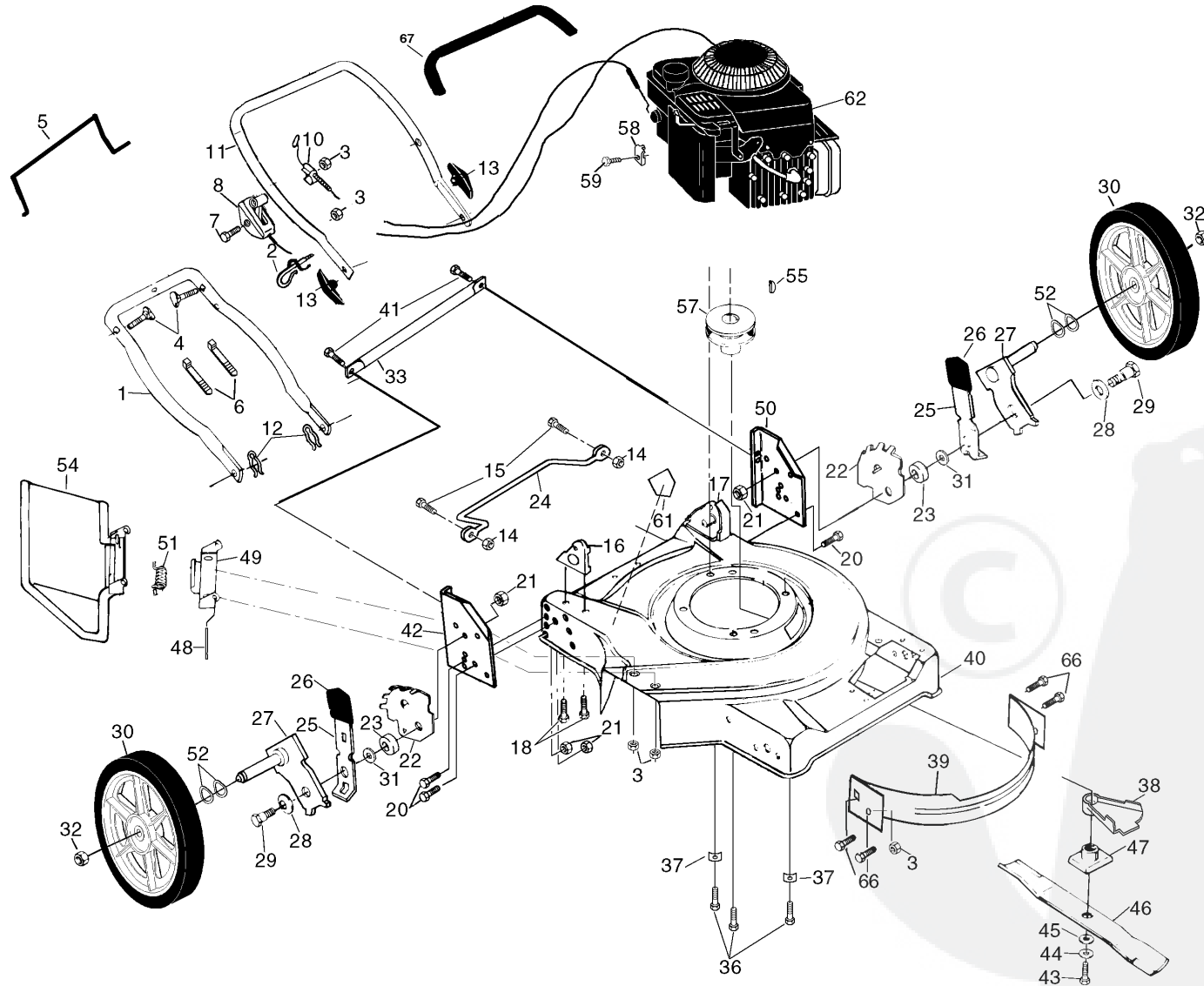


REPAIR PARTS MANUAL
MODEL NO. WE7T909E
Rotary Lawn Mower

WEED EATER[®]

ROTARY LAWN MOWER - - MODEL NUMBER WE7T909E



ROTARY LAWN MOWER - - MODEL NUMBER WE7T909E

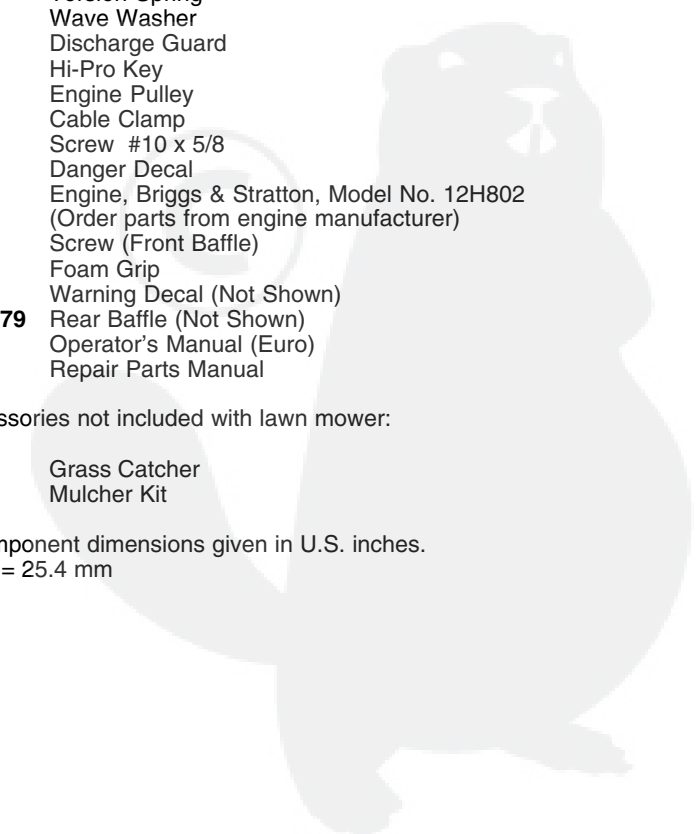
KEY PART NO.	NO.	DESCRIPTION
1	151590X479	Lower Handle
2	179585	Rope Guide
3	63601	Locknut 1/4-20
4	131959	Handle Bolt
5	146771	Control Bar
6	66426	Wire Clip
7	144929	Machine Screw 1/4-20 x 2.12
8	182156	Throttle Control
10	149293	Engine Zone Control Cable
11	167120	Upper Handle
12	51793	Hairpin Cotter
13	136376	Handle Knob
14	69180	Hex Nut #10-24
15	85825	Self Tapping Screw #10-24 x 1
16	170345X479	Handle Bracket Assembly (Right)
17	170346X479	Handle Bracket Assembly (Left)
18	149741	Screw 5/16-18 x 3/4
20	74760612	Hex Head Bolt 3/8-16 x 3/4
21	751592	Locknut
22	750085X007	Wheel Adjusting Bracket
23	146630	Spacer
24	154147	Foot Guard
25	700331X004	Selector Spring
26	87877	Selector Knob
27	750913X004	Axle Arm Assembly
28	61651	Spring Washer
29	142748	Shoulder Bolt 3/8-16
30	700734	Wheel & Tire Assembly (Rear) 16 x 2
31	88348	Flat Washer 3/8
32	83923	Nut
33	165175X479	Rod Support
36	150406	Thread Rolling Screw 3/8-16 x 1
37	851201X004	Engine Washer
38	134612	Debris Shield
39	170491	Front Baffle Kit

KEY PART NO.	NO.	DESCRIPTION
40	172650	Mower Housing Kit (Includes Key No. 61)
41	54583	Screw
42	111662X479	Wheel Support Bracket R.H.
43	851084	Hex Head Screw 3/8-24 x 1-3/8 Gr. 8
44	850263	Helical Washer 3/8
45	851074	Hardened Washer
46	157101	22" Mulching Blade
47	851514	Blade Adapter
48	147286	Hinge Rod
49	87593	Housing Bracket
50	111661X479	Wheel Support Bracket L.H.
51	87589	Torsion Spring
52	57143	Wave Washer
54	750149	Discharge Guard
55	87677	Hi-Pro Key
57	84596	Engine Pulley
58	213146	Cable Clamp
59	83816	Screw #10 x 5/8
61	182166	Danger Decal
62	---	Engine, Briggs & Stratton, Model No. 12H802 (Order parts from engine manufacturer)
66	17600406	Screw (Front Baffle)
67	155891	Foam Grip
68	182134	Warning Decal (Not Shown)
--	134027X479	Rear Baffle (Not Shown)
--	172648	Operator's Manual (Euro)
--	182501	Repair Parts Manual

Available accessories not included with lawn mower:

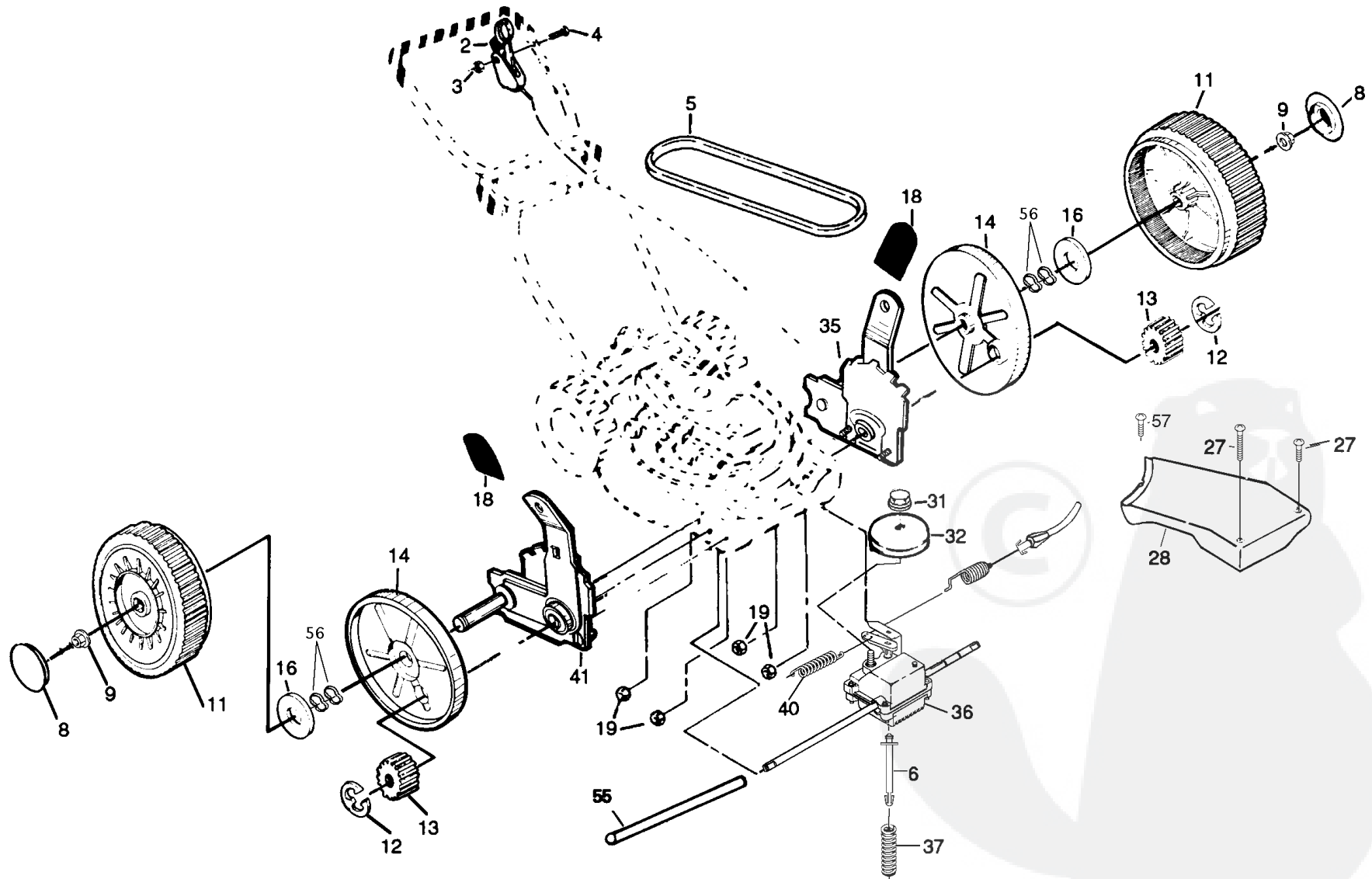
--	GCK5000	Grass Catcher
--	MK22SD	Mulcher Kit

NOTE: All component dimensions given in U.S. inches.
1 inch = 25.4 mm



ROTARY LAWN MOWER - - MODEL NUMBER WE7T909E

4



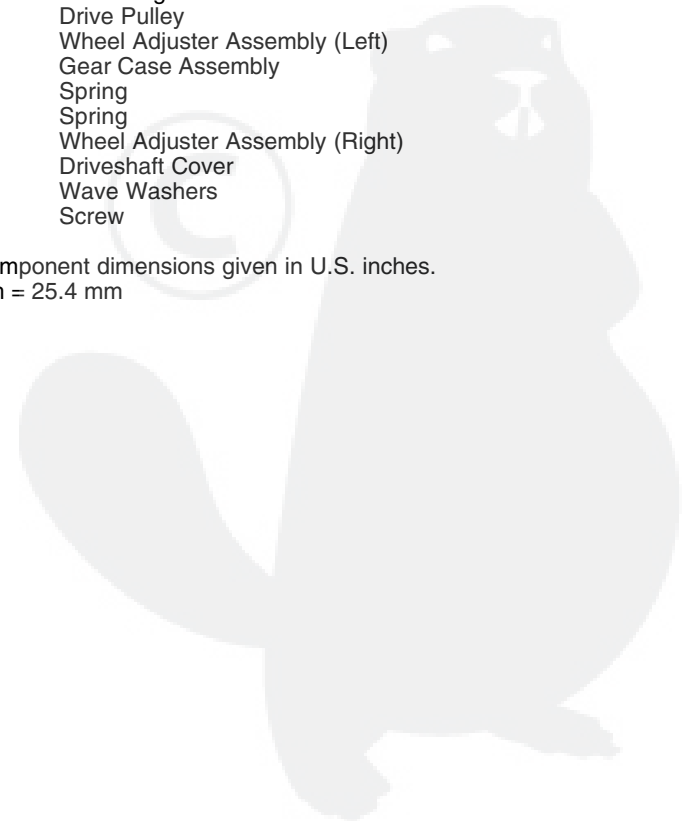
ROTARY LAWN MOWER - - MODEL NUMBER WE7T909E

5

KEY PART NO.	NO.	DESCRIPTION
2	145755	Drive Control
3	751152	Locknut #10-24
4	158755	Pan Head Machine Screw #10-24 x 2
5	146527	V-Belt
6	150495	Spring Retainer
8	77400	Hubcap
9	83923	Nut
11	180755	Wheel & Tire Assembly
12	12000058	E-Ring
13	137054	Pinion
14	180504	Dust Cover
16	67725	Washer 1/2 x 1-1/2 x .134
18	87877	Selector Knob
19	63601	Hex Locknut 1/4-20

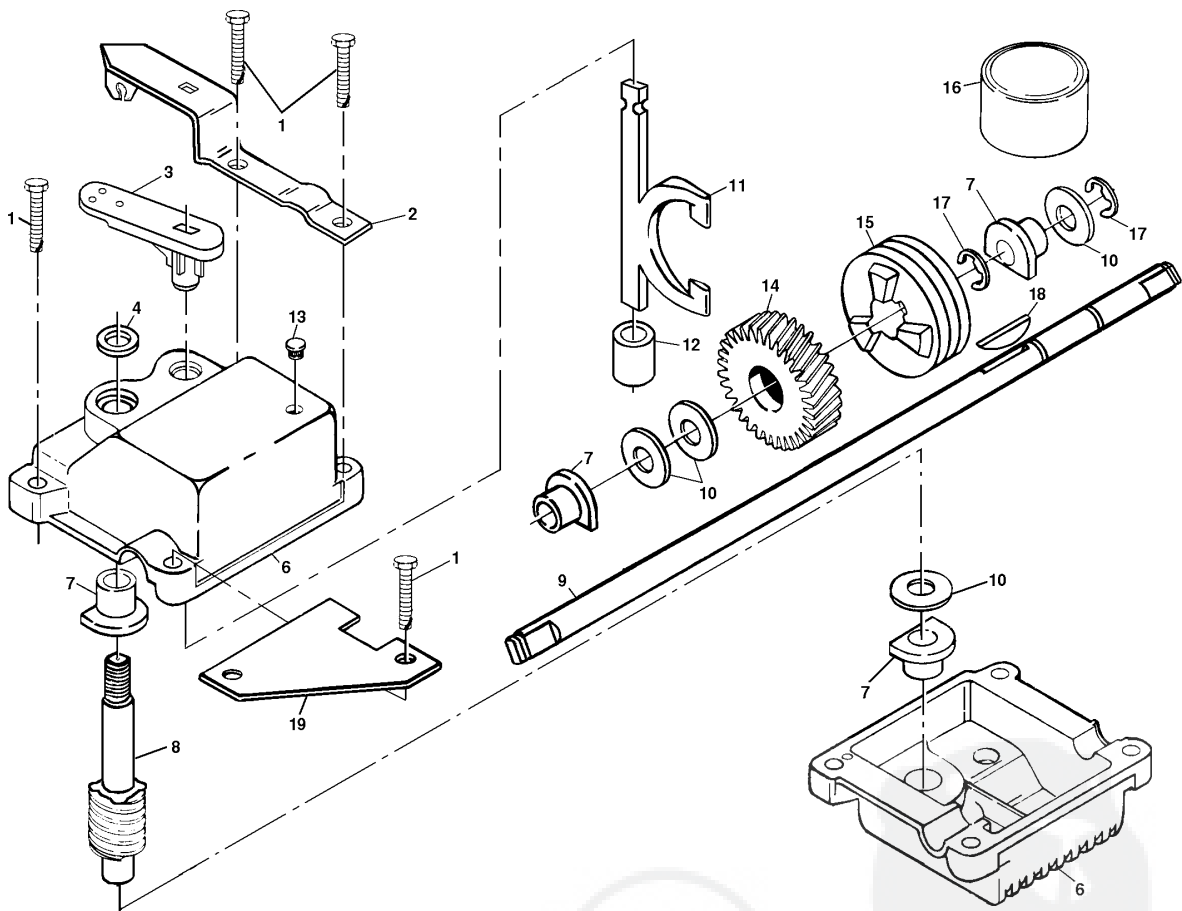
KEY PART NO.	NO.	DESCRIPTION
27	146072	Pan Head Tapping Screw #10-24 x 2-3/4
28	137088	Drive Cover
31	132010	Hex Flange Nut
32	137052	Drive Pulley
35	152018	Wheel Adjuster Assembly (Left)
36	702511	Gear Case Assembly
37	137090	Spring
40	75192	Spring
41	152019	Wheel Adjuster Assembly (Right)
55	86012	Driveshaft Cover
56	57143	Wave Washers
57	750097	Screw

NOTE: All component dimensions given in U.S. inches.
1 inch = 25.4 mm



ROTARY LAWN MOWER - - MODEL NUMBER WE7T909E

GEARCASE ASSEMBLY - - PART NUMBER 702511



KEY NO.	PART NO.	DESCRIPTION
1	17490416	Tapping Screw 1/4-20 x 1-1/4
2	137055X004	Engagement Bracket
3	137053	Shifter
4	57072	Seal
6	48373	Gear Case Halves Kit (Includes Key Numbers 4 and 7)
7	77881	Bearing
8	137051	Worm Shaft
9	137074	Drive Shaft
10	57079	Hardened Washer
11	131484	Clutch Yoke
12	700343	Bushing
13	86447	Plug
14	137050	Helical Gear
15	750436X	Clutch Jaw
16	750369	Grease
17	12000003	E-Ring
18	850848	Hi-Pro Key
19	81585X004	Spring Bracket

NOTE: All component dimensions given in U.S. inches.
1 inch = 25.4 mm

CONGRATULATIONS on your purchase of a new lawn mower. Your lawn mower has been designed, engineered and manufactured to give you the best possible dependability and performance.

LIMITED WARRANTY

The Manufacturer warrants to the original consumer purchaser that this product as manufactured is free from defects in materials and workmanship. For a period of one (1) year from date of purchase by the original consumer purchaser, we will repair or replace, at our option, without charge for parts or labor incurred in replacing parts, any part which we find to be defective due to materials or workmanship. This Warranty is subject to the following limitations and exclusions.

1. This warranty does not apply to the engine, other than EHP manufactured transaxle/transmission components, battery (except as noted below) or components parts thereof. Please refer to the applicable manufacturer's warranty on these items.
2. Transportation charges for the movement of any power equipment unit or attachment are the responsibility of the purchaser. Transportation charges for any parts submitted for replacement under this warranty must be paid by the purchaser unless such return is requested by Electrolux Home Products.
3. Battery Warranty: On products equipped with a Battery, we will replace, without charge to you, any battery which we find to be defective in manufacture, during the first ninety (90) days of ownership. After ninety (90) days, we will exchange the Battery, charging you 1/12 of the price of a new Battery for each full month from the date of the original sale. Battery must be maintained in accordance with the instructions furnished.
4. The Warranty period for any products used for rental or commercial purposes is limited to 45 days from the date of original purchase.
5. This Warranty applies only to products which have been properly assembled, adjusted, operated, and maintained in accordance with the instructions furnished. This Warranty does not apply to any product which has been subjected to alteration, misuse, abuse, improper assembly or installation, delivery damage, or to normal wear of the product.
6. Exclusions: Excluded from this Warranty are belts, blades, blade adapters, normal wear, normal adjustments, standard hardware and normal maintenance.
7. In the event you have a claim under this Warranty, you must return the product to an authorized service dealer.

Should you have any unanswered questions concerning this Warranty, please contact:

Electrolux Home Products, Inc.
Outdoor Products Customer Service Dept.
250 Bobby Jones Expressway
Augusta, GA 30909 USA

In Canada contact:
Electrolux Canada Corporation
7075 Ordan Drive
Mississauga, Ontario
L5T 1K6

giving the model number, serial number and date of purchase of your product and the name and address of the authorized dealer from whom it was purchased.

THIS WARRANTY DOES NOT APPLY TO INCIDENTAL OR CONSEQUENTIAL DAMAGES AND ANY IMPLIED WARRANTIES ARE LIMITED TO THE SAME TIME PERIODS STATED HEREIN FOR OUR EXPRESSED WARRANTIES.

Some areas do not allow the limitation of consequential damages or limitations of how long an implied Warranty may last, so the above limitations or exclusions may not apply to you. This Warranty gives you specific legal rights, and you may have other rights which vary from locale to locale.

This is a limited Warranty within the meaning of that term as defined in the Magnuson-Moss Act of 1975.



WEED EATER®