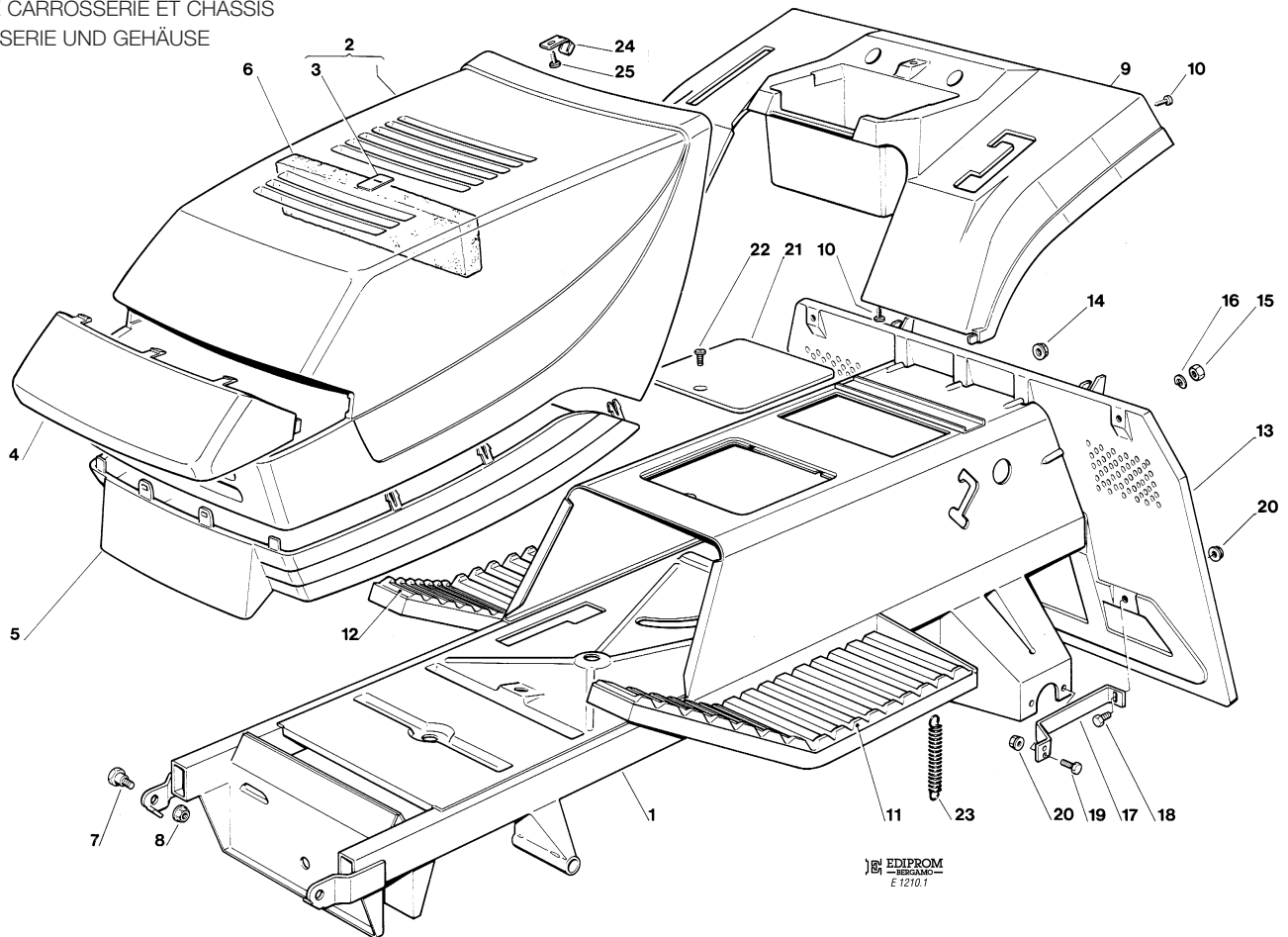


GRUPPO CARROZZERIA E CHASSIS  
 BODY AND CHASSIS GROUP  
 GROUPE CARROSSERIE ET CHASSIS  
 KARROSSERIE UND GEHÄUSE

Mod. 1996

**001**

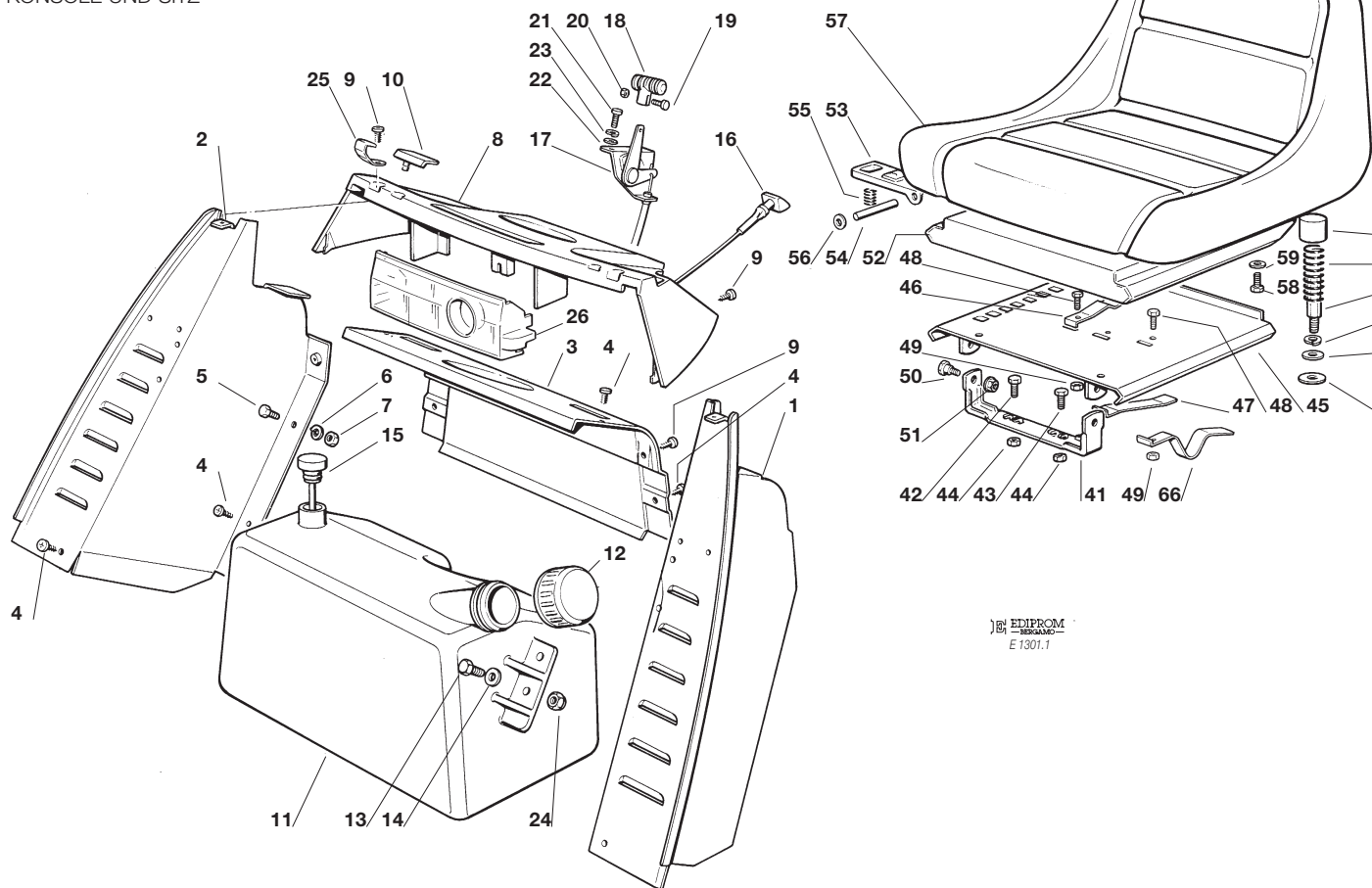


Pos. Nr.	Codice Kodex Code	Descrizione	Description	Description	Beschreibung	Q.tà Q.ty Q.té Menge
1	82800005/6	ASS. TELAIO	CHASSIS ASS.Y	ENSEMBLE CHASSIS	RAHMENSATZ	1
2	☛	COFANO SUPER. (TC)	UPPER ENGINE HOOD (TC)	CAPOT SUPERIEURE (TC)	OBERHAUBESATZ (TC)	1
	82076801/1	ROSSO	RED	ROUGE	ROT	
	82076804/0	VERDE	GREEN	VERT	GRÜN	
	82076805/0	GIALLO	YELLOW	JAUNE	GELB	
	82076807/0	BLU	BLUE	BLEU	BLAU	
	☛	COFANO SUPER. (TCP)	UPPER ENGINE HOOD (TCP)	CAPOT SUPERIEURE (TCP)	OBERHAUBESATZ (TCP)	1
	82076840/0	ROSSO	RED	ROUGE	ROT	
	82076842/0	VERDE	GREEN	VERT	GRÜN	
	82076844/0	GIALLO	YELLOW	JAUNE	GELB	
	82076846/0	BLU	BLUE	BLEU	BLAU	
3	☛	PIASTRINA (TC)	PLATE (TC)	PLAQUE (TC)	PLATTE (TC)	1
	25547016/1	ROSSA	RED	ROUGE	ROT	
	25547015/0	VERDE	GREEN	VERT	GRÜN	
	25547014/0	GIALLA	YELLOW	JAUNE	GELB	
	25547024/0	BLU	BLUE	BLEU	BLAU	
	☛	PIASTRINA (TCP)	PLATE (TCP)	PLAQUE (TCP)	PLATTE (TCP)	1
	25547025/0	ROSSA	RED	ROUGE	ROT	
	25547026/0	VERDE	GREEN	VERT	GRÜN	
	25547027/0	GIALLA	YELLOW	JAUNE	GELB	
	25547028/0	BLU	BLUE	BLEU	BLAU	
4	25410858/0	MASCHERINA (TC)	GRILL (TC)	PANNEAU (TC)	SCHUTZ (TC)	1
	25410860/0	MASCHERINA DX (TCP)	RIGHT GRILL (TCP)	PANNEAU DROITE (TCP)	RECHTE SCHUTZ (TCP)	1
	25410861/0	MASCHERINA SX (TCP)	LEFT GRILL (TCP)	PANNEAU GAUCHE (TCP)	LINKE SCHUTZ (TCP)	1
5	25076802/0	COFANO INFERIORE (TC)	LOWER ENGINE HOOD (TC)	CAPOT INFERIEURE (TC)	UNTERHAUBESATZ (TC)	1
	25076808/0	COFANO INFERIORE (TCP)	LOWER ENGINE HOOD (TCP)	CAPOT INFERIEURE (TCP)	UNTERHAUBESATZ (TCP)	1

Pos. Nr.	Codice Kodex Code	Descrizione	Description	Description	Beschreibung	Q.tà Q.ty Q.té Menge
6	25730000/0	SEPARATORE ASPIRAZ. ( <b>TC</b> - 15,5 - 16 HP B&S)	INTAKE SEPARATOR ( <b>TC</b> - 15,5 - 16 HP B&S)	SEPARATEUR ASPIRATIONS ( <b>TC</b> - 15,5 - 16 HP B&S)	AUGENABSCHNEIDER ( <b>TC</b> - 15,5 - 16 HP B&S)	1
	25730003/0	SEPARATORE ASPIRAZ. ( <b>TCP</b> - 18 HP KOHLER)	INTAKE SEPARATOR ( <b>TCP</b> - 18 HP KOHLER)	SEPARATEUR ASPIRATIONS ( <b>TCP</b> - 18 HP KOHLER)	AUGENABSCHNEIDER ( <b>TCP</b> - 18 HP KOHLER)	1
	25730002/0	SEPARATORE ASPIRAZ. ( <b>TCP</b> - 15,5 - 16 HP B&S)	INTAKE SEPARATOR ( <b>TCP</b> - 15,5 - 16 HP B&S)	SEPARATEUR ASPIRATIONS ( <b>TCP</b> - 15,5 - 16 HP B&S)	AUGENABSCHNEIDER ( <b>TCP</b> - 15,5 - 16 HP B&S)	1
7	25510015/1	PERNO	PIN	PIVOT	BOLZEN	2
	25510023/1	PERNO (18 HP KOHLER)	PIN (18 HP KOHLER)	PIVOT (18 HP KOHLER)	BOLZEN (18 HP KOHLER)	2
8	12293201/0	DADO	NUT	ECROU	MUTTER	2
	12436050/0	PIASTRINA ( <b>TCP</b> - 18 HP KOHLER)	PLATE ( <b>TCP</b> - 18 HP KOHLER)	PLAQUETTE ( <b>TCP</b> - 18 HP KOHLER)	PLATTE ( <b>TCP</b> - 18 HP KOHLER)	2
9	☛	COPERTURA RUOTE ( <b>TC</b> )	WHEELS COVER ( <b>TC</b> )	COUVRE-ROUES ( <b>TC</b> )	RADENKAPPE ( <b>TC</b> )	1
	25110157/1	ROSSA	RED	ROUGE	ROT	
	25110159/0	VERDE	GREEN	VERT	GRÜN	
	25110161/0	GIALLO	YELLOW	JAUNE	GELB	
	25110163/0	BLU	BLUE	BLEU	BLAU	
	☛	COPERTURA RUOTE ( <b>TCP</b> )	WHEELS COVER ( <b>TCP</b> )	COUVRE-ROUES ( <b>TCP</b> )	RADENKAPPE ( <b>TCP</b> )	1
	25110170/0	ROSSA	RED	ROUGE	ROT	
	25110171/0	VERDE	GREEN	VERT	GRÜN	
	25110172/0	GIALLO	YELLOW	JAUNE	GELB	
	25110173/0	BLU	BLUE	BLEU	BLAU	
10	12735402/0	VITE	SCREW	VIS	SCHRAUBE	4
11	25110260/1	COPRIPEDANA SX	LEFT FOOTBOARD COVER	COUVRE MARCHEPIED GAUCHE	LINKE FUSSBRETTDECKEL	1
12	25110261/1	COPRIPEDANA DX	RIGHT FOOTBOARD COVER	COUVRE MARCHEPIED DROITE	RECHTE FUSSBRETTDECKEL	1
13	82547001/2	ASS. PIASTRA POST.	REAR PLATE ASS.Y	ENS. PLAQUE POSTERIEURE	HINTERPLATTESATZ	1
14	12293201/0	DADO	NUT	ECROU	MUTTER	5
15	12295200/0	DADO	NUT	ECROU	MUTTER	2
16	12585100/0	GROWER	GROWER	GROWER	GROWER	2
17	25650021/0	RINFORZO PIASTRA POST.	REAR PLATE STIFFENING	RENFORCEMENT PLAQUE POST.	HINTERPLATTEVERSTA- ERKUNG	2
18	12792610/0	VITE	SCREW	VIS	SCHRAUBE	2
19	12793301/0	VITE	SCREW	VIS	SCHRAUBE	2
20	12293201/0	DADO	NUT	ECROU	MUTTER	4
21	82597120/0	PORTINA	HANDHOLE	GRILLE	GITTER	1
22	12728440/0	VITE	SCREW	VIS	MUTTER	1
23	25430218/0	MOLLA	SPRING	RESSORT	FEDER	2
24	25430217/0	MOLLA AGGANCIAMENTO ( <b>TCP</b> )	COUPLING SPRING ( <b>TCP</b> )	RESSORT ACCROCHA ( <b>TCP</b> )	GEKUPPLUNGSFEDER ( <b>TCP</b> )	2
25	12728099/0	VITE ( <b>TCP</b> )	SCREW ( <b>TCP</b> )	VIS ( <b>TCP</b> )	SCHARUBE ( <b>TCP</b> )	2

GRUPPO CRUSCOTTO E SEDILE  
 DASHBOARD AND SEAT ASS.Y  
 ENS. TABLEAU COMMANDES ET SIEGE  
 KONSOLE UND SITZ

Mod. 1996 **002**

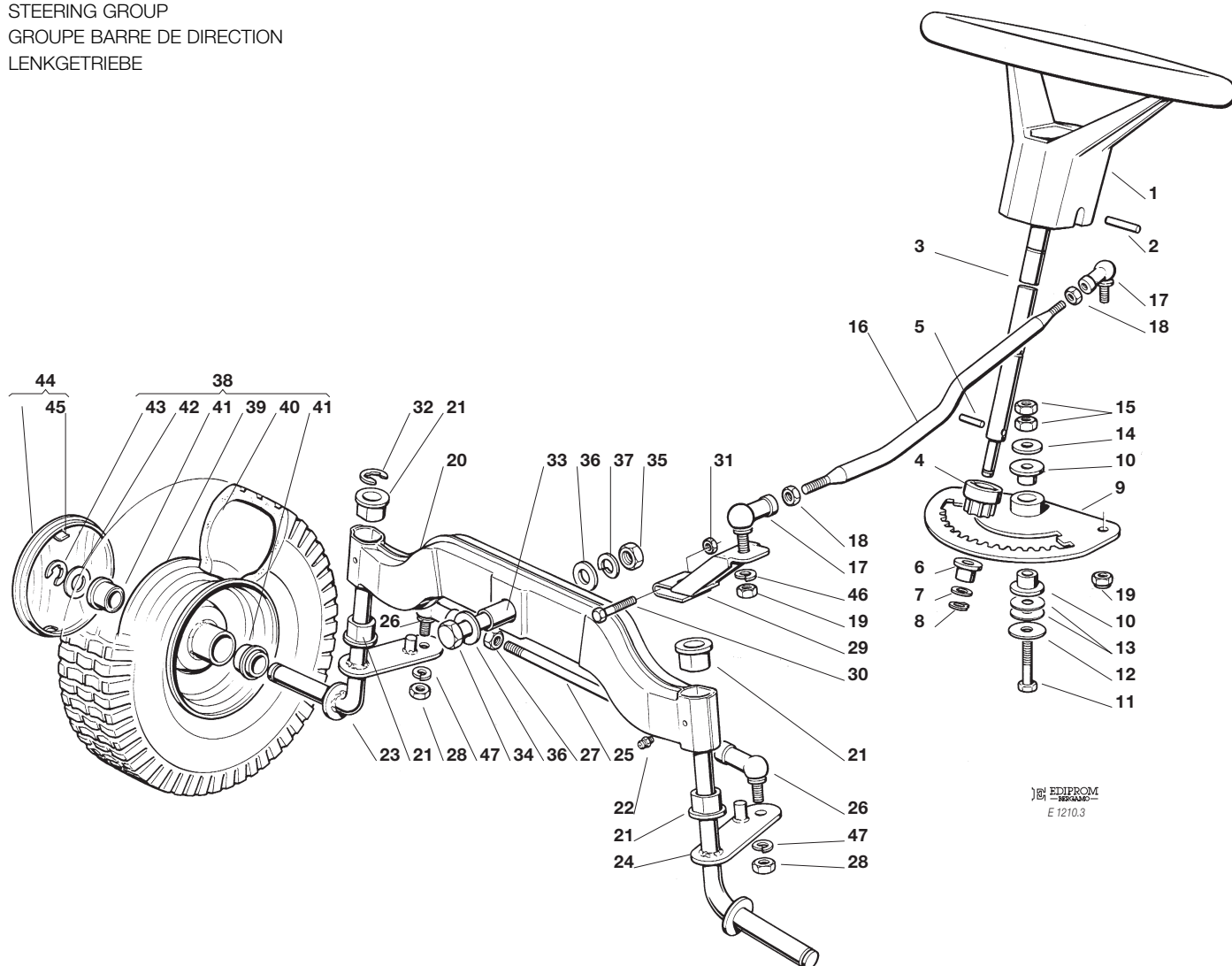


Pos. Nr.	Codice Kodex Code	Descrizione	Description	Description	Beschreibung	Q.tà Q.ty Q.té Menge
1	82785021/3	SUPP. CRUSCOTTO SX	LEFT DASHBOARD SUPP.	SUPPORT TABLEAU GAUCHE	LINKER KONSOLEHALTER	1
2	82785022/2	SUPP. CRUSCOTTO DX	RIGHT DASHBOARD SUPP.	SUPPORT TABLEAU DROITE	RECHTER KONSOLEHALTER	1
3	82785023/0	SUPP. CRUSCOTTO CENTR.	CENTRAL DASHBOARD SUPP.	SUPPORT TABLEAU CENTRAL	ZENTRALER KONSOLE HALTER	1
4	12728440/0	VITE	SCREW	VIS	SCHRAUBE	8
5	12790780/0	VITE	SCREW	VIS	SCHRAUBE	2
6	12582100/0	GROWER	GROWER	GROWER	GROWER	2
7	12292100/0	DADO	NUT	ECROU	MUTTER	2
8	25120144/1	CRUSCOTTO COMANDI (TC)	DASHBOARD (TC)	TABLEAU COMMANDES (TC)	KONSOLE (TC)	1
	25120145/0	CRUSCOTTO COMANDI (TCP)	DASHBOARD (TCP)	TABLEAU COMMANDES (TCP)	KONSOLE (TCP)	1
9	12728440/0	VITE (TC)	SCREW (TC)	VIS (TC)	SCHRAUBE (TC)	2
10	25260000/0	GOMMINO	GROMMET	PROTECTION	SCHUTZ	2
11	25735110/0	SERBATOIO	TANK	RESERVOIR	TANK	1
		(12,5 - 15,5 HP B&S 14 - 18 HP KOHLER)	(12,5 - 15,5 HP B&S 14 - 18 HP KOHLER)	(12,5 - 15,5 HP B&S 14 - 18 HP KOHLER)	(12,5 - 15,5 HP B&S 14 - 18 HP KOHLER)	
	25735111/0	SERBATOIO (16 HP B&S)	TANK (16 HP B&S)	RESERVOIR (16 HP B&S)	TANK (16 HP B&S)	1
12	25795000/0	TAPPO	CAP	BOUCHON	TANKVERSCHLUSS	1
13	12788910/0	VITE	SCREW	VIS	SCHRAUBE	2
14	12523020/0	RONDELLA	WASHER	RONDELLE	SCHAEIBE	2
15	25290000/0	INDICATORE LIVELLO	FUEL LEVEL INDICATOR	INDICATEUR NIVEAU	KRAFTSTOFFMESSER	1
		(16 HP B&S)	(16 HP B&S)	(16 HP B&S)	(16 HP B&S)	
16	25090000/0	COMANDO STARTER	STARTER DRIVE	COMMANDE STARTER	STARTER BETAETIGUNG	1
		(16 HP B&S)	(16 HP B&S)	(16 HP B&S)	(16 HP B&S)	
	25090001/0	COMANDO STARTER	STARTER DRIVE	COMMANDE STARTER	STARTER BETAETIGUNG	1
		(18 HP KOHLER)	(18 HP KOHLER)	(18 HP KOHLER)	(18 HP KOHLER)	

Pos. Nr.	Codice Kodex Code	Descrizione	Description	Description	Beschreibung	Q.tà Q.ty Q.té Menge
17	82000200/1	ASS. ACCELERATORE (12,5 - 15,5 HP B&S)	ACCELERATOR ASS.Y (12,5 - 15,5 HP B&S)	ENSEMBLE ACCELERATEUR (12,5 - 15,5 HP B&S)	GAS ZUG (12,5 - 15,5 HP B&S)	1
	82000201/1	ASS. ACCELERATORE (16 HP B&S)	ACCELERATOR ASS.Y (16 HP B&S)	ENSEMBLE ACCELERATEUR (16 HP B&S)	GAS ZUG (16 HP B&S)	
	82000203/0	ASS. ACCELERATORE (14 HP KOHLER)	ACCELERATOR ASS.Y (14 HP KOHLER)	ENSEMBLE ACCELERATEUR (14 HP KOHLER)	GAS ZUG (14 HP KOHLER)	1
	82000204/0	ASS. ACCELERATORE (18 HP KOHLER)	ACCELERATOR ASS.Y (18 HP KOHLER)	ENSEMBLE ACCELERATEUR (18 HP KOHLER)	GAS ZUG (18 HP KOHLER)	1
18	25394501/0	MANOPOLA	HANDLE	POIGNE	GRIFF	1
19	12726388/0	VITE	SCREW	VIS	SCHRAUBE	1
20	12290800/0	DADO	NUT	ECROU	MUTTER	1
21	12788512/0	VITE	SCREW	VIS	SCHRAUBE	2
22	12521310/0	RONDELLA	WASHER	RONDELLE	SCHEIBE	2
23	12581200/0	GROWER	GROWER	GROWER	GROWER	2
24	12154330/0	DADO	NUT	ECROU	MUTTER	2
25	25430215/0	MOLLA AGGANCIO <b>(TC)</b>	COUPLING SPRING <b>(TC)</b>	RESSORT ACCROCHAGE <b>(TC)</b>	KUPPLUNGSFEDER	2
26	25600010/0	PROTEZIONE SCHEDA	CARD PROTECTION	PROTECTION DE CARTE	KARTESCHUTZ	1
41	82774207/0	STAFFA SUPP. SEDILE	SEAT CLAMP SUPPORT	ETRIER SUPPORT SIEGE	BRIDE F. SITZHALTER	1
42	12793500/0	VITE	SCREW	VIS	SCHRAUBE	1
43	12792610/0	VITE	SCREW	VIS	SCHRAUBE	1
44	12293901/0	DADO	NUT	ECROU	MUTTER	2
45	82785089/0	ASS. SUPP. SEDILE FISSO	FIXED SEAT SUPP.	SUPPORT SIEGE FIXE	FEST SITZHALTER	1
46	25430203/0	MOLLA ARRESTO	SPRING	RESSORT D'ARRET	RASTFEDER	1
47	25430224/0	MOLLA COMANDO	SPRING	RESSORT DE COMMANDE	FEDER	1
48	12789000/0	VITE	SCREW	VIS	SCHRAUBE	3
49	12154330/0	DADO	NUT	ECROU	MUTTER	3
50	22524970/1	PERNO	PIN	PIVOT	BOLZEN	2
51	12293201/0	DADO	NUT	ECROU	MUTTER	2
52	82785087/0	SUPPORTO SEDILE	SEAT SUPPORT	SUPPORT SIEGE	SITZHALTER	1
53	25318109/0	LEVA ARRESTO	STOP LEVER	LEVIER D'ARRET	ABSTELLHEBEL	1
54	25510000/0	PERNO	PIN	PIVOT	BOLZEN	1
55	25430202/0	MOLLA	SPRING	RESSORT	FEDER	1
56	12604897/0	RONDELLA	WASHER	RONDELLE	SCHEIBE	2
57	25722450/0	SEDILE <b>(TC)</b>	SEAT <b>(TC)</b>	SIEGE <b>(TC)</b>	SITZ <b>(TC)</b>	1
	25722451/0	SEDILE <b>(TCP)</b>	SEAT <b>(TCP)</b>	SIEGE <b>(TCP)</b>	SITZ <b>(TCP)</b>	1
58	12793101/0	VITE	SCREW	VIS	SCHRAUBE	4
59	12583500/0	GROWER	GROWER	GROWER	GROWER	4
60	25430205/0	MOLLA	SPRING	RESSORT	FEDER	2
61	25510016/0	PERNO	PIN	PIVOT	BOLZEN	2
62	12521350/0	RONDELLA	WASHER	RONDELLE	SCHEIBE	2
63	12583500/0	GROWER	GROWER	GROWER	GROWER	2
64	12523070/0	RONDELLA	WASHER	RONDELLE	SCHEIBE	2
65	25122000/0	CUFFIA PROTEZ.	HOOD	PROTECTEUR	SCHUTZKASTEN	2
66	25430223/0	MOLLA	SPRING	RESSORT	FEDER	1

GRUPPO STERZO  
 STEERING GROUP  
 GROUPE BARRE DE DIRECTION  
 LENKGETRIEBE

Mod. 1996 **003**



EDIPROM  
 E 1210.3

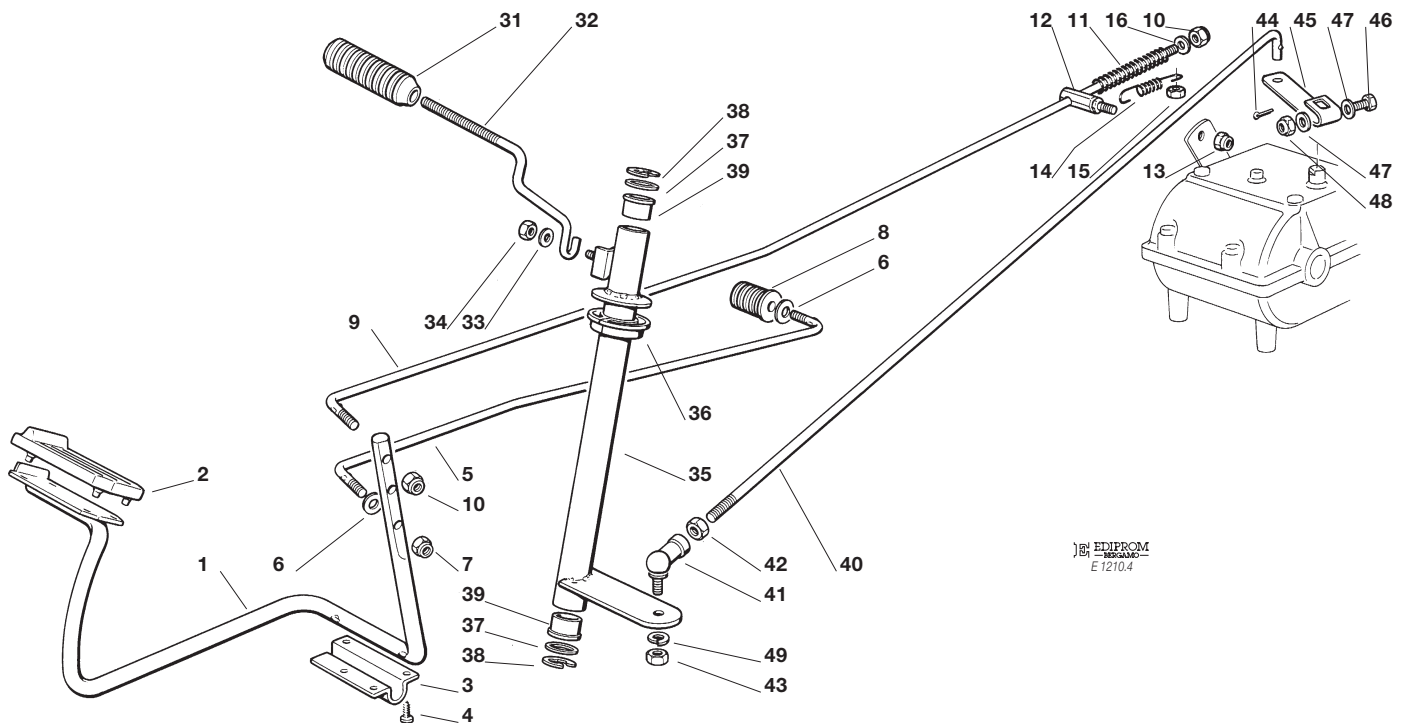
Pos. Nr.	Codice Kodex Code	Descrizione	Description	Description	Beschreibung	Q.tà Q.ty Q.té Menge
1	25961200/0	VOLANTE	STEERING WHEEL	VOLANT	LENKRAD	1
2	12620299/0	SPINA	PIN	GOUPILLE	STIFT	1
3	25520000/0	PIANTONE	STEERING COLUMN	TUBE DE DIRECTION	LENKUNGSAEULE	1
4	25570000/0	PIGNONE	PINION	PIGNON	RITZEL	1
5	12622650/0	SPINA	PIN	GOUPILLE	STIFT	1
6	25034001/0	BRONZINA	BRASS	COUSSINET	BÜCHSE	1
7	12521370/0	RONDELLA	WASHER	RONDELLE	SCHEIBE	1
8	12436030/0	PIASTRINA	PLATE	PLAQUETTE	PLATTECHEN	1
9	82735504/0	ASS. SETTORE STERZO	STEERING SHAFT ASS.Y	ENSEMBLE ARBRE DIRECTION	LENKUNGSWELLE	1
10	25160001/0	BRONZINA	BRASS	COUSSINET	BÜCHSE	2
11	12692420/0	VITE	SCREW	VIS	SCHRAUBE	1
12	12523090/0	RONDELLA	WASHER	RONDELLE	SCHEIBE	1
13	22672150/0	RONDELLA	WASHER	RONDELLE	SCHEIBE	2
14	25670002/0	RONDELLA	WASHER	RONDELLE	SCHEIBE	1
15	12295200/0	DADO	NUT	ECROU	MUTTER	2
16	25033003/1	ASS. ASTA COMANDO STERZO	STEERING ROD ASS.Y	ENS. LEVIER BARRE DE DIRECTION	LENKUNGSSTAB	1
17	22746600/0	SNODO M10	JOINT M10	JOINT M10	GELENK M10	2
18	12295200/0	DADO	NUT	ECROU	MUTTER	2
19	12295200/0	DADO	NUT	ECROU	MUTTER	2

Pos. Nr.	Codice Kodex Code	Descrizione	Description	Description	Beschreibung	Q.tà Q.ty Q.té Menge
20	82034001/1	BILANCIERE COMPLETO DI BRONZINA ED INGRASSATORE	EQUALIZER WITH BUSH AND LUBRICATOR	BALANCIER AVEC COUSSINET ET GRAISSEUR	KIPPEBEL MIT BRONZE- LAGER UND FETTBÜCHSE	1
21	25034002/0	BRONZINA	BRASS	COUSSINET	BÜCHSE	4
22	12379511/0	INGRASSATORE	GREASE DISPENSER	GRAISSEUR	FETTBÜCHSE	2
23	82230349/0	ASS. FUSELLO DX	R. STUB AXLE ASS.Y	ENSEMBLE FUSEAU DROITE	RECHTER ACHSSCHENKEL	1
24	82230348/0	ASS. FUSELLO SX	L. STUB AXLE ASS.Y	ENSEMBLE FUSEAU GAUCHE	LINKER ACHSSCHENKEL	1
25	25840001/0	TIRANTE	TIE ROD	TIRANT	KUPPLUNG	1
26	22746600/0	SNODO M10	JOINT M10	JOINT M10	GELENK M10	2
27	12295200/0	DADO	NUT	ECROU	MUTTER	2
28	12295200/0	DADO	NUT	ECROU	MUTTER	2
29	82318101/0	ASS. LEVA COMANDO	LEVER ASS.Y	ENSEMBLE LEVIER	HEBEL	1
30	12691700/0	VITE	SCREW	VIS	SCHRAUBE	1
31	12155000/0	DADO	NUT	ECROU	MUTTER	1
32	12001000/0	ANELLO ELASTICO	SNAP RING	ANNEAU RESSORT	SPRENGRING	1
33	25160005/0	DISTANZIALE	SPACER	ENTRETOISE	ENTFERNUNGSSTUECK	1
34	12694100/0	VITE	SCREW	VIS	SCHRAUBE	1
35	12295800/0	DADO	NUT	ECROU	MUTTER	1
36	12521390/0	RONDELLA	WASHER	RONDELLE	SCHEIBE	2
37	12587900/0	GROWER	GROWER	GROWER	GROWER	1
38	82680002/0	RUOTA COMPLETA CON CUSCINETTI (TURF-SAVER)	WHEEL ASS.Y WITH BEARINGS (TURF-SAVER)	ENSEMBLE ROUE AVEC ROULEM. (TURF-SAVER)	VORDERRAD MIT KUGEL LAGER (TURF-SAVER)	2
39	82000590/0	ASS. CERCHIO RUOTA ANT. PNEUMATICO	FRONT RIMM ASS.Y SHOE	BANDAGE ROUE ANT. PNEU	VORDERRAD FELGER REIFEN	2
40	25590000/0	(TURF-SAVER)	(TURF-SAVER)	(TURF-SAVER)	(TURF-SAVER)	2
41	25122200/1	CUSCINETTO	BEARING	ROULEMENT	LAGER	4
42	25670005/1	RONDELLA SPESSORE 2,5 MM	WASHER THICKNEE 2.5 MM	RONDELLE EPAISSEUR 2,5 MM	SCHEIBE DICKE 2,5 MM	2
43	12001000/0	ANELLO ELASTICO	SNAP RING	ANNEAU RESSORT	SPRENGRING	2
44	82110250/1	ASS. COPRIDISCO RUOTA ANTERIORE (TC)	FRONT WHEEL COVERENS. ASS.Y (TC)	COUVRE DISQUE ROUE ANTERIEURE (TC)	VORRDERRAD DECKEL (TC)	2
	82110252/0	ASS. COPRIDISCO RUOTA ANTERIORE (TCP)	FRONT WHEEL COVERENS. ASS.Y (TCP)	COUVRE DISQUE ROUE ANTERIEURE (TCP)	VORRDERRAD DECKEL (TCP)	2
45	25430209/0	MOLLA AGGANCIO	SPRING	RESSORT	FEDER	8
46	12585100/0	GROWER	GROWER	GROWER	GROWER	2
47	12585100/0	GROWER	GROWER	GROWER	GROWER	2

GRUPPO COMANDO CAMBIO E FRENO  
 GEARBOX AND BRAKE ASS.Y  
 GROUPE BOITE DE VITESSE ET FREIN  
 WECHSEL UND BREMSE SATZ

Mod. 1996

**004**



Pos. Nr.	Codice Kodex Code	Descrizione	Description	Description	Beschreibung	Q.tà Q.ty Q.té Menge
1	82500000/1	ASS. PEDALE FRENO	BRAKE PEDAL ASS.Y	ENSEMBLE PEDALE DE FREIN	BREMSPEDAL	1
2	25110262/1	COPRISTAFFA	CLAMP COVER	COUVRE ETRIER	BRIDEDECKEL	1
3	25547012/0	PIASTRINA	PLATE	PLAQUE	PLATTE	1
4	12731601/0	VITE	SCREW	VIS	SCHRAUBE	4
5	25033005/0	ASTA	ROD	BARRE	STANGE	1
6	12521350/0	RONDELLA	WASHER	RONDELLE	SCHEIBE	2
7	12155000/0	DADO	NUT	ECROU	MUTTER	1
8	82394500/0	ASS. MANOPOLA FRENO	BRAKE KNOB ASS.Y	ENS. POIGNEE DE FREIN	BREMSEKNOPF	1
9	25033007/0	ASTA COMANDO FRENO CAMBIO	BRAKE CONTROL ASS.Y	ENSEMBLE CONTROLE FREIN	BREMSE KONTROLLESATZ	1
10	12154510/0	DADO	NUT	ECROU	MUTTER	2
11	25430212/1	MOLLA	SPRING	RESSORT	FEDER	1
12	25510017/0	PERNO	PIN	PIVOT	BOLZEN	1
13	12155000/0	DADO	NUT	ECROU	MUTTER	1
14	25430213/0	MOLLA RICHIAMO FRENO	SPRING BRAKE	RESSORT FREIN	FEDER BREMSE	1
15	12155000/0	DADO	NUT	ECROU	MUTTER	1
16	12521330/0	RONDELLA	WASHER	RONDELLE	SCHEIBE	1
31	82394502/0	ASS. MANOPOLA CAMBIO	GEARBOX KNOB ASS.Y	POIGNEE BOITE DE VITESSE	WECHSELGETRIEBE	1
32	25318111/1	LEVA COMANDO CAMBIO	GEARSHIFT	LEVIER CHANGEMENT VITESSE	DEGETRIEBE HEBEL	1
33	25670007/0	RONDELLA	WASHER	RONDELLE	SCHEIBE	1
34	12155000/0	DADO	NUT	ECROU	MUTTER	1

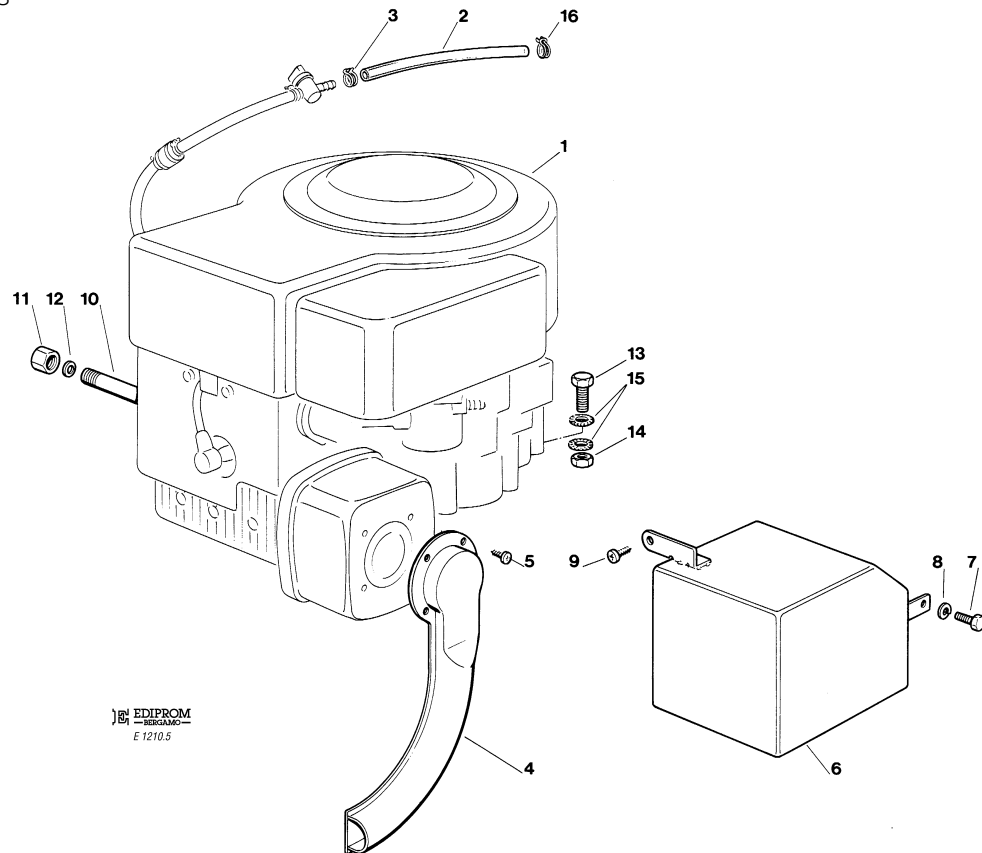
Pos. Nr.	Codice Kodex Code	Descrizione	Description	Description	Beschreibung	Q.tà Q.ty Q.té Menge
35	82869003/0	ASS. TUBO COMANDO	SPEED DRIVE TUBE	TUBE COMMANDE CHANGE- MARCEMENT DE VITESSE	GAENGESCHALTUNG ROHR	1
36	25040602/0	BUSSOLA	BUSH	DOUILLE	BÜCHSE	2
37	25670006/0	RONDELLA	WASHER	RONDELLE	SCHEIBE	2
38	12001000/0	SEEGER	SEEGER	SEEGER	SEEGER	2
39	25040601/0	BUSSOLA	BUSH	DOUILLE	BÜCHSE	2
40	25033004/0	ASTA	ROD	BARRE	STANGE	1
41	22746601/0	SNODO M8	JOINT M8	JOINT M8	GELENK M8	1
42	12293200/0	DADO	NUT	ECROU	MUTTER	1
43	12293200/0	DADO	NUT	ECROU	MUTTER	1
44	12141418/0	COPPIGLIA	COTTER PIN	GOUPILLE	SPLIT	
45	25318117/0	LEVA CAMBIO	GEARSHIFT	LEVIER CHANGEMENT DE VITESSE	GETRIEBE HEBEL	1
46	12689500/0	VITE	SCREW	VIS	SCHRAUBE	1
47	12521330/0	RONDELLA	WASHER	RONDELLE	SCHEIBE	2
48	12154510/0	DADO	NUT	ECROU	MUTTER	1
49	12583500/0	GROWER	GROWER	GROWER	GROWER	1



GRUPPO MOTORE 12,5 HP B&S  
 ENGINE ASS.Y 12.5 HP B&S  
 GROUPE MOTEUR 12,5 HP B&S  
 MOTORSATZ 12,5 HP B&S

Mod. 1996

**005**



Pos. Nr.	Codice Kodex Code	Descrizione	Description	Description	Beschreibung	Q.tà Q.ty Q.té Menge
1*	—	MOTORE	ENGINE	MOTEUR	MOTOR	1
2	25869003/0	TUBO COLLEGAMENTO	CONNECTING TUBE	TUBE DE CONNEXION	VERBINDUNGSROHR	1
3	18375051/0	FASCETTA	FAIR LED	FIXATION DE CABLE	KABELBEFESTIGUNG	3
4*	82640001/1	ASS. RACCORDO SCARICO	EXHAUST CONNECTION	CONNEXION ECHAPPEMENT	AUSPUFFANSCHLUSS	1
5	12735106/0	VITE	SCREW	VIS	SCHRAUBE	4
6	82598001/0	ASS. PROTEZIONE SILENZIATORE	MUFFLER PROTECTION ASS.Y	PROTECTION SILENCIEUX	AUSPUFFSCHUTZ	1
7	12735510/0	VITE	SCREW	VIS	SCHRAUBE	1
8	12582100/0	GROWER	GROWER	GROWER	GROWER	1
9	12735104/0	VITE	SCREW	VIS	SCHRAUBE	1
10	25598050/0	PROLUNGA SCARICO OLIO	OIL DISCHARGE EXTENSION	RALLONGE DE DECHAR- MENT HUILE	ÖL ENTLEERUNGSVERLAEN- GERUNG	1
11	18737849/0	TAPPO PER PROLUNGA	OIL CAP	BOUCHON HUILE	OELVERSCHLUSS	1
12	18401001/0	GUARNIZIONE	OIL SEAL	GARNITURE	DICHTUNG	1
13	12793600/0	VITE	SCREW	VIS	SCHRAUBE	4
14	12293200/0	DADO	NUT	ECROU	MUTTER	1
	12293201/0	DADO	NUT	ECROU	MUTTER	3
15	12540260/0	RONDELLA	WASHER	RONDELLE	SCHEIBE	2
16	18375052/0	FASCETTA	FAIR LED	FIXATION DE CABLE	KABELBEFESTIGUNG	1

DOVENDO SOSTITUIRE IN GARANZIA LE PARTI CONTRASSEGNAE CON «\*» RIVOLGERSI AL COSTRUTTORE DEL MOTORE.

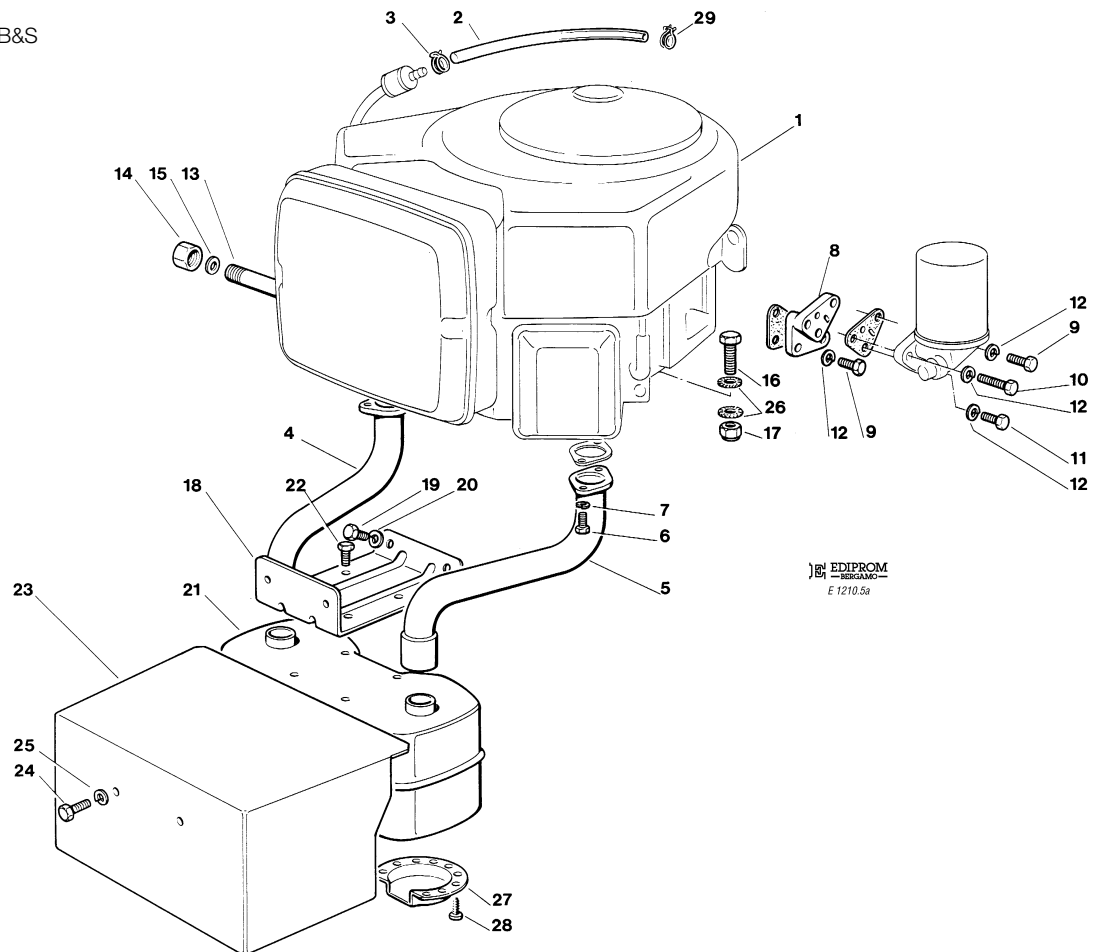
IF YOU HAVE TO CHANGE THE PIECES INDICATED WITH «\*» ON WARRANTY YOU ADRESS TO AFTER SALES SERVICE OF ENGINE MANUFACTURER.

SI VOUS DEVEZ SUBSTITUER LES PIÈCES INDIQUÉES AVEC «\*» SOUS GARANTIE VOUS DEVEZ VOUS ADRESSER AU SERVICE APRÈS VENTES DE LA MAISON CONSTRUCTRICE DU MOTEUR.

BITTE WENDEN SIE SICH BEI GARANTIERPARATUREN DER MIT«\*» GEKENNZEICHNETEN TEILE AN DIE KUNDENDIESNSTELLE DES MOTORHERSTELLER.

GRUPPO MOTORE 16 HP B&S  
 ENGINE ASS.Y 16 HP B&S  
 GROUPE MOTEUR 16 HP B&S  
 MOTORSATZ 16 HP B&S

Mod. 1996 **005a**



Pos. Nr.	Codice Kodex Code	Descrizione	Description	Description	Beschreibung	Q.tà Q.ty Q.té Menge
1*	—	MOTORE	ENGINE	MOTEUR	MOTOR	1
2	25869004/0	TUBO COLLEGAMENTO	CONNECTING TUBE	TUBE DE CONNEXION	VERBINDUNGSROHR	1
3	18375051/0	FASCETTA	FAIR LED	FIXATION DE CABLE	KABELBEFESTIGUNG	1
4*	18738202/0	TUBO RACCORDO SCARICO DX	EXHAUST RIGHT CONNECTING TUBE	TUBE DE CONNEXION DROIT POUR ECHAPP.	RECHTES VERBINDUNGS- ROHR FÜR ABGASUNG	1
5*	18738203/0	TUBO RACCORDO SCARICO SX	EXHAUST LEFT CONNECTING TUBE	TUBE DE CONNEXION GAUCHE POUR ECHAPP.	LINKES VERBINDUNGS- ROHR FÜR ABGASUNG	1
6	12793101/0	VITE	SCREW	VIS	SCHRAUBE	4
7	12583500/0	GROWER	GROWER	GROWER	GROWER	4
8	25785095/0	SUPPORTO FILTRO	FILTER SUPPORT	SUPPORTE DU FILTRE	WECHSELFILTER HALTER	1
9	12791400/0	VITE	SCREW	VIS	SCHRAUBE	3
10	12689515/0	VITE	SCREW	VIS	SCHRAUBE	1
11	12791213/0	VITE	SCREW	VIS	SCHRAUBE	1
12	12582100/0	GROWER	GROWER	GROWER	GROWER	5
13	25598050/0	PROLUNGA SCARICO OLIO	OIL DISCHARGE EXTENSION	EXTENSION RALLONGE DE DESCHERG. HUILE	ENTLERUNGSVERLAEN- GERUNG	1
14	18737849/0	TAPPO PROLUNGA	OIL CAP	BOUCHON HUILE	OELVERSCHLUSS	1
15	18401001/0	GUARNIZIONE	OIL SEAL	GARNITURE	DICHTUNG	1
16	12793600/0	VITE	SCREW	VIS	SCHRAUBE	4
17	12293201/0	DADO	NUT	ECROU	MUTTER	3
	12293200/0	DADO	NUT	ECROU	MUTTER	1
18	82785093/0	ASS. SUPPORTO SILENZIATORE	MUFFLER SUPPORT ASS.Y	GROUPS SUPPORT SILENCEUX	AUSPUFFHALTER	1
19	12793101/0	VITE	SCREW	VIS	SCHRAUBE	2
20	12583500/0	GROWER	GROWER	GROWER	GROWER	2

Pos. Nr.	Codice Kodex Code	Descrizione	Description	Description	Beschreibung	Q.tà Q.ty Q.té Menge
21*	18716131/1	SILENZIATORE COMPLETO DI DEFLETTORE	MUFFLER WITH DEFLECTOR	SILENCEUX AVEC DEFLECTEUR	AUSPUFF MIT DEFLEKTOR	1
22	12735107/0	VITE	SCREW	VIS	SCHRAUBE	4
23	82598005/0	PROTEZIONE	GUARD	PROTECTION	SCHUTZE	1
24	12792610/0	VITE	SCREW	VIS	SCHRAUBE	2
25	12583500/0	GROWER	GROWER	GROWER	GROWER	2
26	12540260/0	RONDELLA	WASHER	RONDELLE	SCHEIBE	2
27	18310005/0	DEFLETTORE	DEFLECTOR	DEFLECTEUR	DEFLEKTOR	1
28	12735106/0	VITE	SCREW	VIS	SCHRAUBE	4
29	18375052/0	FASCETTA	FAIR LED	FIXATION DE CABLE	KABELBEFESTIGUNG	1

DOVENDO SOSTITUIRE IN GARANZIA LE PARTI CONTRASSEGNAE CON «\*» RIVOLGERSI AL COSTRUTTORE DEL MOTORE.

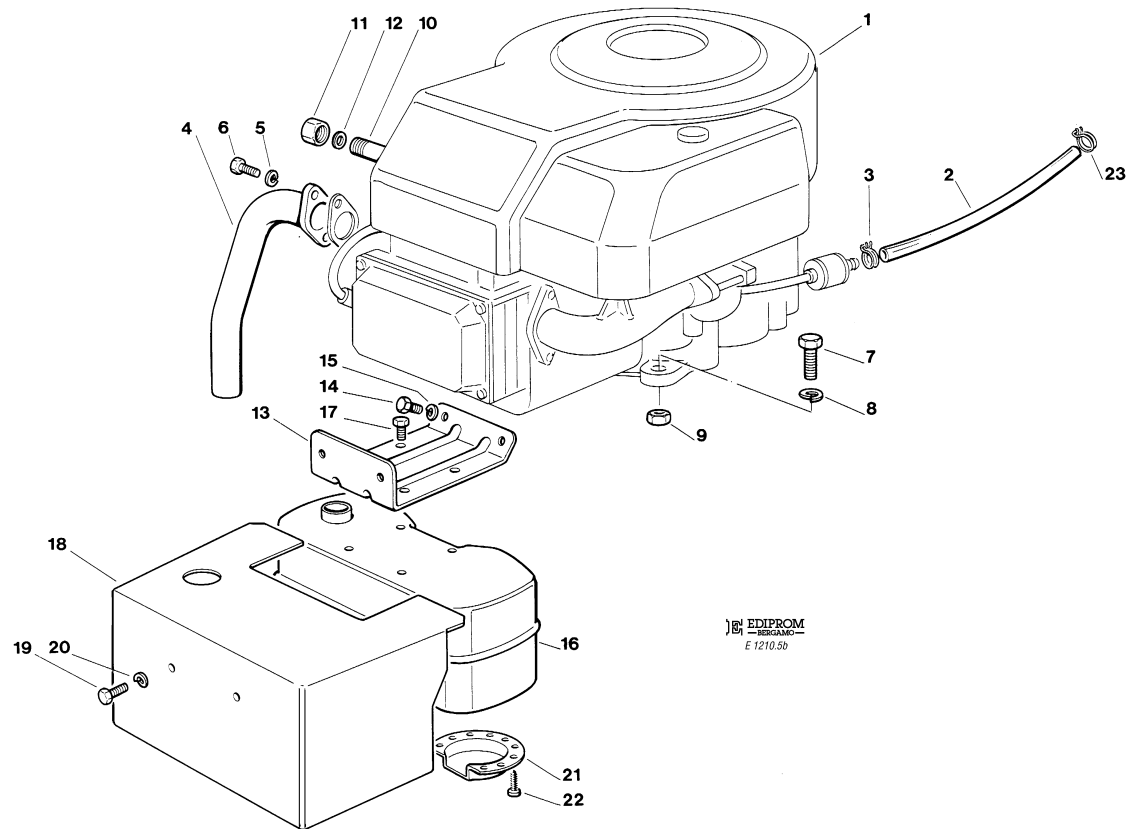
IF YOU HAVE TO CHANGE THE PIECES INDICATED WITH «\*» ON WARRANTY YOU ADRESS TO AFTER SALES SERVICE OF ENGINE MANUFACTURER.

SI VOUS DEVEZ SUBSTITUER LES PIÈCES INDIQUÉES AVEC «\*» SOUS GARANTIE VOUS DEVEZ VOUS ADRESSER AU SERVICE APRÈS VENTES DE LA MAISON CONSTRUCTRICE DU MOTEUR.

BITTE WENDEN SIE SICH BEI GARANTIERPARATUREN DER MIT «\*» GEKENNZEICHNETEN TEILE AN DIE KUNDENDIESNSTSTELLE DES MOTORHERSTELLER.

GRUPPO MOTORE 15,5 HP KOHLER  
 ENGINE ASS.Y 15,5 HP KOHLER  
 GROUPE MOTEUR 15,5 HP KOHLER  
 MOTORSATZ 15,5 HP KOHLER

Mod. 1996 **005b**



Pos. Nr.	Codice Kodex Code	Descrizione	Description	Description	Beschreibung	Q.tà Q.ty Q.té Menge
1*	—	MOTORE	ENGINE	MOTEUR	MOTOR	1
2	25869011/0	TUBO COLLEGAMENTO	CONNECTING TUBE	TUBE DE CONNEXION	VERBINDUNGSROHR	1
3	18375051/0	FASCETTA	FAIR LED	FIXATION DE CABLE	KABELBEFESTIGUNG	1
4*	18738206/0	TUBO RACCORDO SCARICO	EXHAUST CONNECTING TUBE	TUBE DE CONNEXION POUR ECHAPPEMENT	VERBINDUNGSROHR FÜR ABGASUNG	1
5	12735500/0	GROWER	GROWER	GROWER	GROWER	2
6	12735530/0	VITE	SCREW	VIS	SCHRAUBE	2
7	12793600/0	VITE	SCREW	VIS	SCHRAUBE	4
8	12540260/0	GROWER	GROWER	GROWER	GROWER	4
9	12293200/0	DADO	NUT	ECROU	MUTTER	1
10	25598050/0	PROLUNGA SCARICO OLIO	OIL DISCHARGE	EXTENSION RALLONGE DE DESCHERG. HUILE	ENTLERUNGSVERLAENGERUNG	1
11	18737849/0	TAPPO PROLUNGA	OIL CAP	BOUCHON HUILE	OELVERSCHLUSS	1
12	18401001/0	GUARNIZIONE	OIL SEAL	GARNITURE	DICHTUNG	1
13	82785093/0	ASS. SUPPORTO SILENZIATORE	MUFFLER SUPPORT ASS.Y	GROUPS SUPPORT SILENCEUX	AUSPUFFHALTER	1
14	12793101/0	VITE	SCREW	VIS	SCHRAUBE	2
15	12583500/0	GROWER	GROWER	GROWER	GROWER	2
16	18716132/0	SILENZIATORE COMPLETO DI DEFLETTORE	MUFFLER WITH DEFLECTOR	SILENCEUX AVEC DEFLECTEUR	AUSPUFF MIT DEFLEKTOR	1
17	12735107/0	VITE	SCREW	VIS	SCHRAUBE	4
18	82598009/0	PROTEZIONE	GUARD	PROTECTION	SCHUTZE	1
19	12792610/0	VITE	SCREW	VIS	SCHRAUBE	2

Pos. Nr.	Codice Kodex Code	Descrizione	Description	Description	Beschreibung	Q.tà Q.ty Q.té Menge
20	12583500/0	GROWER	GROWER	GROWER	GROWER	2
21	18310005/0	DEFLETTORE	DEFLECTOR	DEFLECTEUR	DEFLEKTOR	1
22	12735106/0	VITE	SCREW	VIS	SCHRAUBE	4
23	18375052/0	FASCETTA	FAIR LED	FIXATION DE CABLE	KABELBEFESTIGUNG	1

DOVENDO SOSTITUIRE IN GARANZIA LE PARTI CONTRASSEGNAE CON «\*» RIVOLGERSI AL COSTRUTTORE DEL MOTORE.

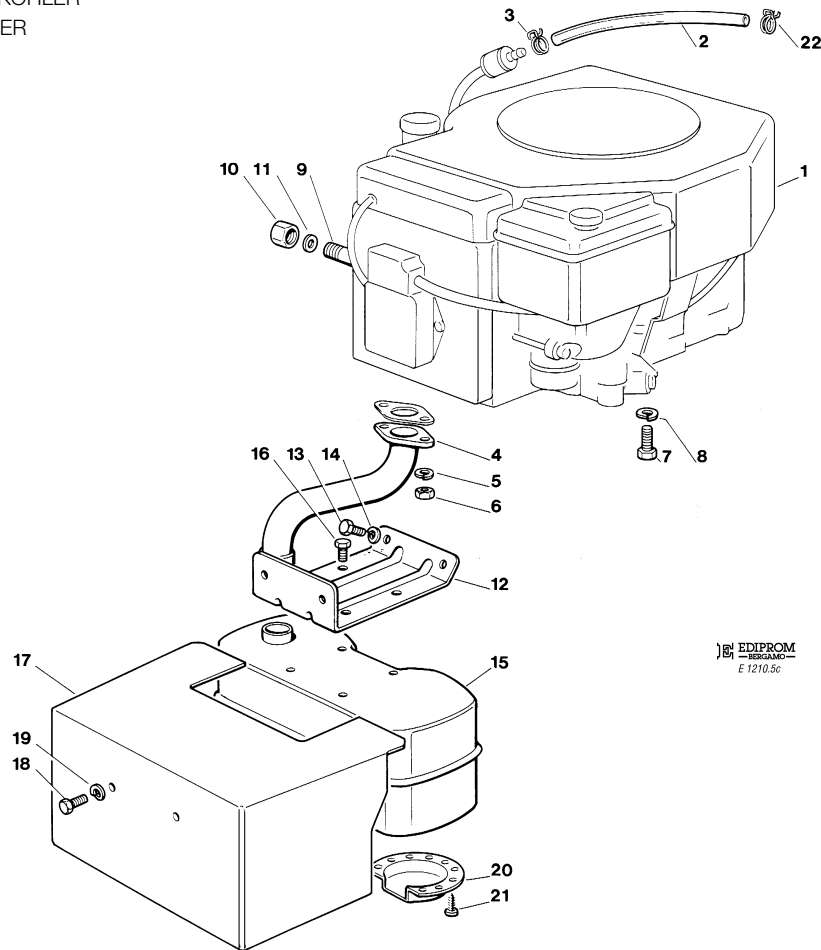
IF YOU HAVE TO CHANGE THE PIECES INDICATED WITH «\*» ON WARRANTY YOU ADRESS TO AFTER SALES SERVICE OF ENGINE MANUFACTURER.

SI VOUS DEVEZ SUBSTITUER LES PIÈCES INDIQUÉES AVEC «\*» SOUS GARANTIE VOUS DEVEZ VOUS ADRESSER AU SERVICE APRÈS VENTES DE LA MAISON CONSTRUCTRICE DU MOTEUR.

BITTE WENDEN SIE SICH BEI GARANTIERPARATUREN DER MIT «\*» GEKENNZEICHNETEN TEILE AN DIE KUNDENDIESNSTSTELLE DES MOTORHERSTELLER.

GRUPPO MOTORE 14 HP KOHLER  
 ENGINE ASS.Y 14 HP KOHLER  
 GROUPE MOTEUR 14 HP KOHLER  
 MOTORSATZ 14 HP KOHLER

Mod. 1996 **005c**



EDIPROM  
 E 1210.5c

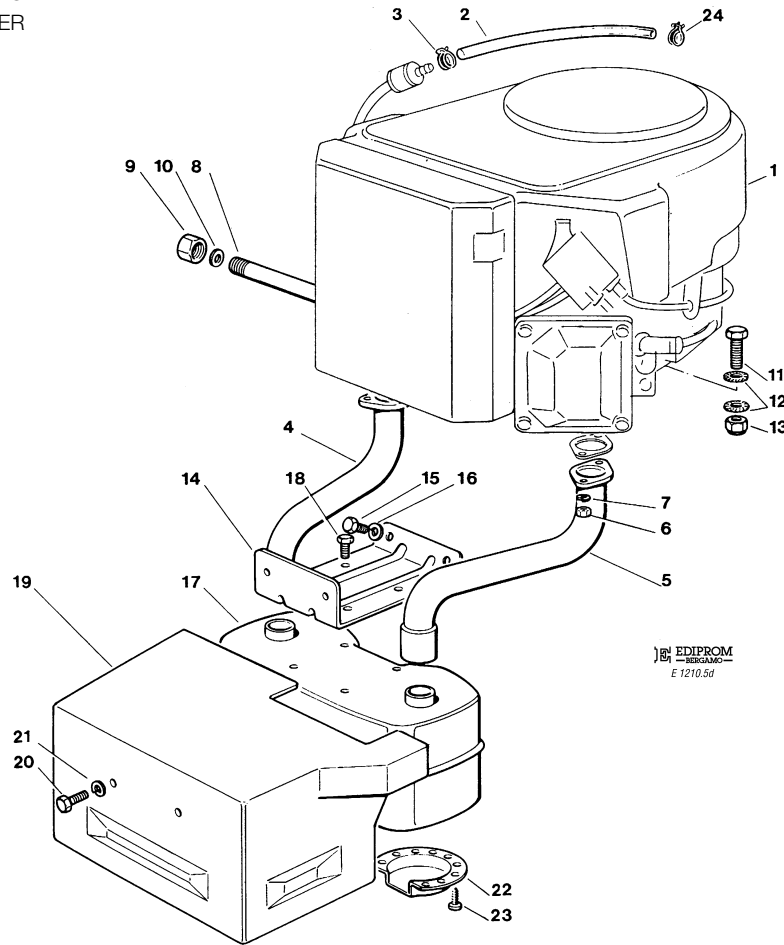
Pos. Nr.	Codice Kodex Code	Descrizione	Description	Description	Beschreibung	Q.tà Q.ty Q.té Menge
1*	—	MOTORE	ENGINE	MOTEUR	MOTOR	1
2	25869010/0	TUBO COLLEGAMENTO	CONNECTING TUBE	TUBE DE CONNEXION	VERBINDUNGSROHR	1
3	18375051/0	FASCETTA	FAIR LED	FIXATION DE CABLE	KABELBEFESTIGUNG	1
4*	18738205/0	TUBO RACCORDO SCARICO	EXHAUST CONNECTING TUBE	TUBE DE CONNEXION POUR ECHAPPEMENT	VERBINDUNGSROHR FÜR ABGASUNG	1
5	12583500/0	GROWER	GROWER	GROWER	GROWER	2
6	12293200/0	DADO	NUT	ECROU	MUTTER	2
7	12793301/0	VITE	SCREW	VIS	SCHRAUBE	4
8	12583500/0	GROWER	GROWER	GROWER	GROWER	4
9	25598050/0	PROLUNGA SCARICO OLIO	OIL DISCHARGE	EXTENSION RALLONGE DE DESCHERG. HUILE	ENTLERUNGSVERLAENGERUNG	1
10	18737849/0	TAPPO PROLUNGA	OIL CAP	BOUCHON HUILE	OELVERSCHLUSS	1
11	18401001/0	GUARNIZIONE	OIL SEAL	GARNITURE	DICHTUNG	1
12	82785093/0	ASS. SUPPORTO SILENZIATORE	MUFFLER SUPPORT ASS.Y	GROUPS SUPPORT SILENCEUX	AUSPUFFHALTER	1
13	12793101/0	VITE	SCREW	VIS	SCHRAUBE	2
14	12583500/0	GROWER	GROWER	GROWER	GROWER	2
15	18716132/0	SILENZIATORE COMPLETO DI DEFLETTORE	MUFFLER WITH DEFLECTOR	SILENCEUX AVEC DEFLECTEUR	AUSPUFF MIT DEFLEKTOR	1
16	12735107/0	VITE	SCREW	VIS	SCHRAUBE	4
17	82598011/0	PROTEZIONE	GUARD	PROTECTION	SCHUTZE	1
18	12792610/0	VITE	SCREW	VIS	SCHRAUBE	2
19	12583500/0	GROWER	GROWER	GROWER	GROWER	2

Pos. Nr.	Codice Kodex Code	Descrizione	Description	Description	Beschreibung	Q.tà Q.ty Q.té Menge
20	18310005/0	DEFLETTORE	DEFLECTOR	DEFLECTEUR	DEFLEKTOR	1
21	12735106/0	VITE	SCREW	VIS	SCHRAUBE	4
22	18375052/0	FASCETTA	FAIR LED	FIXATION DE CABLE	KABELBEFESTIGUNG	1

DOVENDO SOSTITUIRE IN GARANZIA LE PARTI CONTRASSEGNAE CON «\*» RIVOLGERSI AL COSTRUTTORE DEL MOTORE.  
IF YOU HAVE TO CHANGE THE PIECES INDICATED WITH «\*» ON WARRANTY YOU ADDRESS TO AFTER SALES SERVICE OF ENGINE MANUFACTURER.  
SI VOUS DEVEZ SUBSTITUER LES PIÈCES INDIQUÉES AVEC «\*» SOUS GARANTIE VOUS DEVEZ VOUS ADRESSER AU SERVICE APRÈS VENTES DE LA MAISON CONSTRUCTRICE DU MOTEUR.  
BITTE WENDEN SIE SICH BEI GARANTIERPARATUREN DER MIT «\*» GEKENNZEICHNETEN TEILE AN DIE KUNDENDIESNSTELLE DES MOTORHERSTELLER.

GRUPPO MOTORE 18 HP KOHLER  
 ENGINE ASS.Y 18 HP KOHLER  
 GROUPE MOTEUR 18 HP KOHLER  
 MOTORSATZ 18 HP KOHLER

Mod. 1996 **005d**



Pos. Nr.	Codice Kodex Code	Descrizione	Description	Description	Beschreibung	Q.tà Q.ty Q.té Menge
1*	—	MOTORE	ENGINE	MOTEUR	MOTOR	1
2	25869012/0	TUBO COLLEGAMENTO	CONNECTING TUBE	TUBE DE CONNEXION	VERBINDUNGSROHR	1
3	18375051/0	FASCETTA	FAIR LED	FIXATION DE CABLE	KABELBEFESTIGUNG	1
4*	18738207/0	TUBO RACCORDO SCARICO DX	EXHAUST RIGHT CONNECTING TUBE	TUBE DE CONNEXION DROITE POUR ECHAPP.	RECHTES VERBINDUNGS- ROHR FÜR ABGASUNG	1
5*	18738208/0	TUBO RACCORDO SCARICO SX	EXHAUST LEFT CONNECTING TUBE	TUBE DE CONNEXION GAUCHE POUR ECHAPP.	LINKESES VERBINDUNGS- ROHR FÜR ABGASUNG	1
6	12293201/0	DADO	NUT	ECROU	MUTTER	4
7	12583500/0	GROWER	GROWER	GROWER	GROWER	4
8	25598050/0	PROLUNGA SCARICO OLIO	OIL DISCHARGE	EXTENSION RALLONGE DE DESCHERG. HUILE	ENTLERUNGSVERLAEN- GERUNG	1
9	18737849/0	TAPPO PROLUNGA	OIL CAP	BOUCHON HUILE	OELVERSCHLUSS	1
10	18401001/0	GUARNIZIONE	OIL SEAL	GARNITURE	DICHTUNG	1
11	12691100/0	VITE	SCREW	VIS	SCHRAUBE	4
12	12540260/0	RONDELLA	WASHER	RONDELLE	SCHEIBE	2
13	12293201/0	DADO	NUT	ECROU	MUTTER	3
	12293200/0	DADO	NUT	ECROU	MUTTER	1
14	82785093/0	ASS. SUPPORTO SILENZIATORE	MUFFLER SUPPORT ASS.Y	GROIPS SUPPORT SILENCIEUX	AUSPUFFHALTER	1
15	12793101/0	VITE	SCREW	VIS	SCHRAUBE	2
16	12583500/0	GROWER	GROWER	GROWER	GROWER	2
17*	18716131/1	SILENZIATORE COMPLETO DI DEFLETTORE	MUFFLER WITH DEFLECTOR	SILENCEUX AVEC DEFLECTEUR	AUSPUFF MIT DEFLEKTOR	1
18	12735107/0	VITE	SCREW	VIS	SCHRAUBE	4
19	82598013/0	PROTEZIONE	GUARD	PROTECTION	SCHUTZE	1



Pos. Nr.	Codice Kodex Code	Descrizione	Description	Description	Beschreibung	Q.tà Q.ty Q.té Menge
20	12792610/0	VITE	SCREW	VIS	SCHRAUBE	2
21	12583500/0	GROWER	GROWER	GROWER	GROWER	2
22	18310005/0	DEFLETTORE	DEFLECTOR	DEFLECTEUR	DEFLEKTOR	1
23	12735106/0	VITE	SCREW	VIS	SCHRAUBE	4
24	18375052/0	FASCETTA	FAIR LED	FIXATION DE CABLE	KABELBEFESTIGUNG	1

DOVENDO SOSTITUIRE IN GARANZIA LE PARTI CONTRASSEGNAE CON «\*» RIVOLGERSI AL COSTRUTTORE DEL MOTORE.

IF YOU HAVE TO CHANGE THE PIECES INDICATED WITH «\*» ON WARRANTY YOU ADDRESS TO AFTER SALES SERVICE OF ENGINE MANUFACTURER.

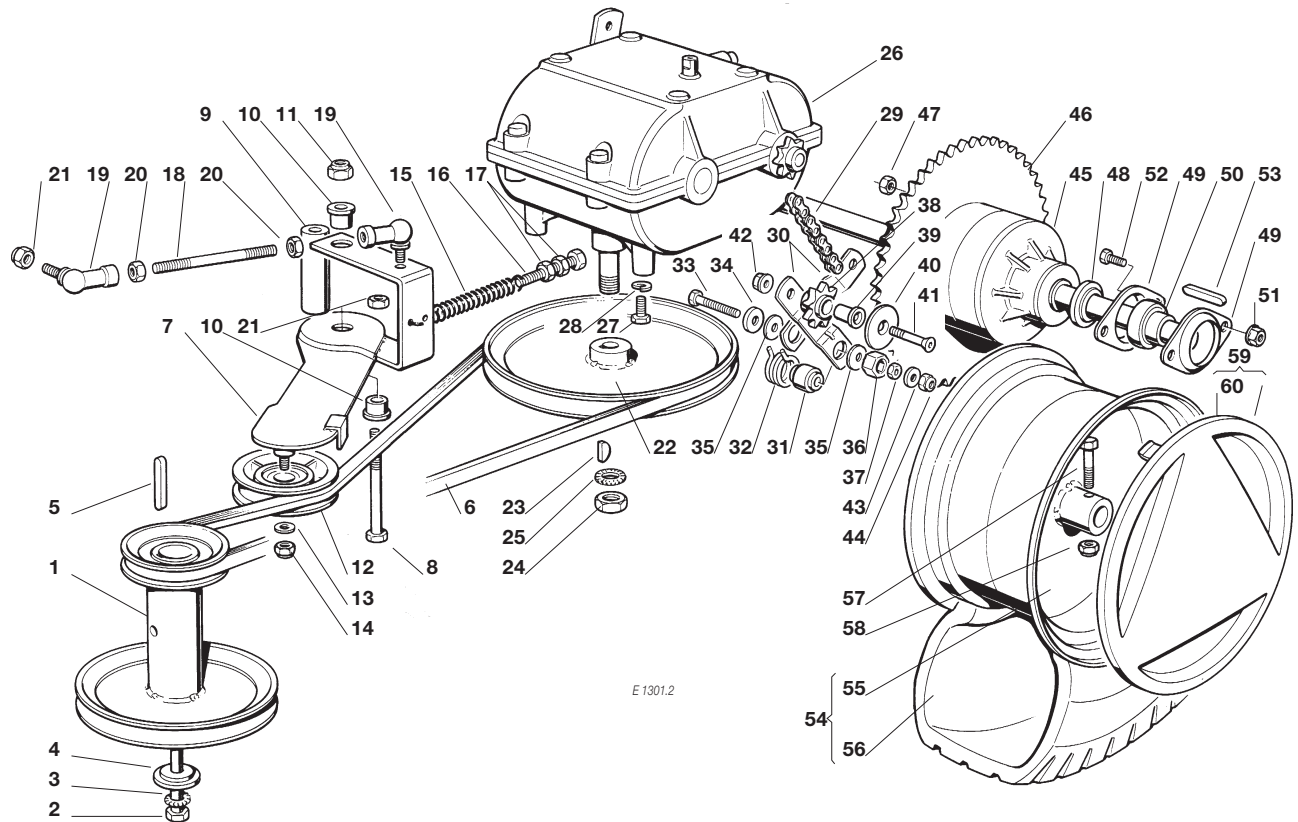
SI VOUS DEVEZ SUBSTITUER LES PIÈCES INDIQUÉES AVEC «\*» SOUS GARANTIE VOUS DEVEZ VOUS ADRESSER AU SERVICE APRÈS VENTES DE LA MAISON CONSTRUCTRICE DU MOTEUR.

BITTE WENDEN SIE SICH BEI GARANTIERPARATUREN DER MIT «\*» GEKENNZEICHNETEN TEILE AN DIE KUNDENDIESNSTSTELLE DES MOTORHERSTELLER.

GRUPPO CAMBIO E TRASMISSIONE  
 GEARBOX AND TRANSMISSION GROUP  
 GROUPE CHANGEMENT DE VITESSE  
 WECHSEL UND ANTRIEB

Mod. 1996

**006**



E 1301.2

Pos. Nr.	Codice Kodex Code	Descrizione	Description	Description	Beschreibung	Q.tà Q.ty Q.té Menge
1	25601552/0	ASS. PULEGGIA MOTORE	ENGINE PULLEY ASS.Y	ENS. POULIE MOTEUR	RIEMENSCHLEIBE	1
2	12737310/0	VITE (12,5-16 HP B&S)	SCREW (12,5-16 HP B&S)	VIS (12,5-16 HP B&S)	SCHRAUBE (12,5-16 HP B&S)	1
	12692330/0	VITE (14 HP KOHLER)	SCREW (14 HP KOHLER)	VIS (14 HP KOHLER)	SCHRAUBE (14 HP KOHLER)	1
	12737310/0	VITE (18 HP KOHLER)	SCREW (18 HP KOHLER)	VIS (18 HP KOHLER)	SCHRAUBE (18 HP KOHLER)	1
3	12543000/0	RONDELLA	WASHER	RONDELLE	SCHLEIBE	1
4	22671433/0	BOCCOLA	BUSHING	DOUILLE	BÜCHSE	1
5	12139490/0	CHIAVETTA	KEY	CLAVETTE	KEIL	1
6	35061502/0	CINGHIA	BELT	COURROIE	RIEMEN	1
7	82318111/1	ASS. LEVA GALOPPINO	TIGHTENER LEVER	LEVIER GALOPIN	LEIT ROLLE	1
8	12692080/0	VITE	SCREW	VIS	SCHRAUBE	1
9	25160008/0	DISTANZIALE	SPACER	ENTRETOISE	ENTFERNUNGSSTUECK	1
10	25038002/0	BOCCOLA	BUSHING	DOUILLE	BÜCHSE	2
11	12155000/0	DADO	NUT	ECROU	MUTTER	1
12	25601554/0	PULEGGIA	PULLEY	POULIE	RIEMENSCHLEIBE	1
13	12523060/0	RONDELLA	WASHER	RONDELLE	SCHLEIBE	1
14	12155000/0	DADO	NUT	ECROU	MUTTER	1
15	25430219/0	MOLLA	SPRING	RESSORT	FEDER	1
16	22943005/0	VITE	SCREW	VIS	SCHRAUBE	1
17	12293200/0	DADO	NUT	ECROU	MUTTER	2
18	25598002/0	PRIGIONIERO	STUD SCREW	PRISONNIER	STIFTSCHLEIBE	1
19	22746601/0	SNODO M8	JOINT M8	JOINT M8	GELENK M8	2
20	12293200/0	DADO	NUT	ECROU	MUTTER	2
21	12155000/0	DADO	NUT	ECROU	MUTTER	2
22	25601553/0	PULEGGIA	PULLEY	POULIE	RIEMENSCHLEIBE	1
23	12138810/0	LINGUETTA	KEY	CLAVETTE	KEIL	1
24	12361010/0	DADO	NUT	ECROU	MUTTER	1

Pos. Nr.	Codice Kodex Code	Descrizione	Description	Description	Beschreibung	Q.tà Q.ty Q.té Menge
25	12540280/0	RONDELLA	WASHER	RONDELLE	SCHEIBE	1
26*	18159002/0	CAMBIO	GEAR BOX	BOITE DE VITESSE	GETRIEBE	1
27	12735530/0	VITE	SCREW	VIS	SCHRAUBE	4
28	12583500/0	GROWER	GROWER	GROWER	GROWER	4
29	15189001/0	CATENA	CHAIN	CHAINE	KETTE	1
30	25318122/0	LEVA FLOTTANTE	FLOATING LEVER	LEVIER	HEBEL	2
31	25040607/0	BUSSOLA	BUSH	DOUILLE	BUCHSE	1
32	25430207/0	MOLLA	SPRING	RESSORT	FEDER	1
33	12793905/0	VITE	SCREW	VIS	SCHRAUBE	1
34	12523070/0	ROSETTA	WASHER	RONDELLE	SCHEIBE	1
35	22672152/0	RONDELLA ANTIFRIZIONE	WASHER	RONDELLE	SCHEIBE	2
36	25160006/0	DISTANZIALE	SPACER	ENTRETOISE	ENTFERNUNGSSTÜCK	1
37	12293200/0	DADO	NUT	ECROU	MUTTER	1
38	25570001/0	PIGNONE	PINION	PIGNON	RITZEL	2
39	25040608/0	BUSSOLA	BUSH	DOUILLE	BUCHSE	2
40	25670009/0	RONDELLA	WASHER	RONDELLE	SCHEIBE	2
41	12882020/0	VITE	SCREW	VIS	SCHRAUBE	2
42	12155000/0	DADO	NUT	ECROU	MUTTER	2
43	12524010/0	ROSETTA	WASHER	RONDELLE	SCHEIBE	1
44	12155000/0	DADO	NUT	ECROU	MUTTER	1
45*	25140200/2	DIFFERENZIALE	DIFFERENTIAL GEAR	DIFFERENTIEL	DIFFERENTIAL	1
46	16694600/1	CORONA	RING GEAR	COURONNE	KRANZ	1
47	12360354/1	DADO	NUT	ECROU	MUTTER	4
48	25160010/0	DISTANZIALE	SPACER	ENTRETOISE	ENTFERNUNGSSTÜCK	2
49	22207319/0	FLANGIA	FLANGE	BRIDE	FLANSCH	6
50	25122201/0	CUSCINETTO	BEARING	COUSSINET	KUGELLAGER	3
51	12293201/0	DADO	NUT	ECROU	MUTTER	4
52	12793301/0	VITE	SCREW	VIS	SCHRAUBE	2
53	24451425/0	CHIAVETTA	KEY	CLAVETTE	KEIL	2
54	82680001/0	RUOTA COMPLETA (TURF-SAVER)	WHEEL ASS.Y (TURF-SAVER)	ENSEMBLE ROUE (TURF-SAVER)	RAD (TURF-SAVER)	2
55	82000591/0	ASS. CERCHIO RUOTA POST.	REAR RIMM ASS.Y	BANDAGE ROUE POST.	HINTERRAD FELGER	2
56	25590001/0	PNEUMATICO (TURF-SAVER)	SHOE (TURF-SAVER)	PNEU (TURF-SAVER)	REIFEN (TURF-SAVER)	2
57	12691200/0	VITE	SCREW	VIS	SCHRAUBE	2
58	12155000/0	DADO	NUT	ECROU	MUTTER	2
59	82110251/1	COPRIRUOTA POST. (TC)	REAR WHEEL DECK (TC)	COUVRE ROUE POST. (TC)	HINTERRADDECKEL (TC)	2
	82110253/0	COPRIRUOTA POST. (TCP)	REAR WHEEL DECK (TCP)	COUVRE ROUE POST. (TCP)	HINTERRADDECKEL (TCP)	2
60	25430209/0	MOLLA AGGANCIO	SPRING	RESSORT	FEDER	8

DOVENDO SOSTITUIRE IN GARANZIA LE PARTI CONTRASSEGNAE CON «\*» RIVOLGERSI AL COSTRUTTORE DEL MOTORE.

IF YOU HAVE TO CHANGE THE PIECES INDICATED WITH «\*» ON WARRANTY YOU ADRESS TO AFTER SALES SERVICE OF ENGINE MANUFACTURER.

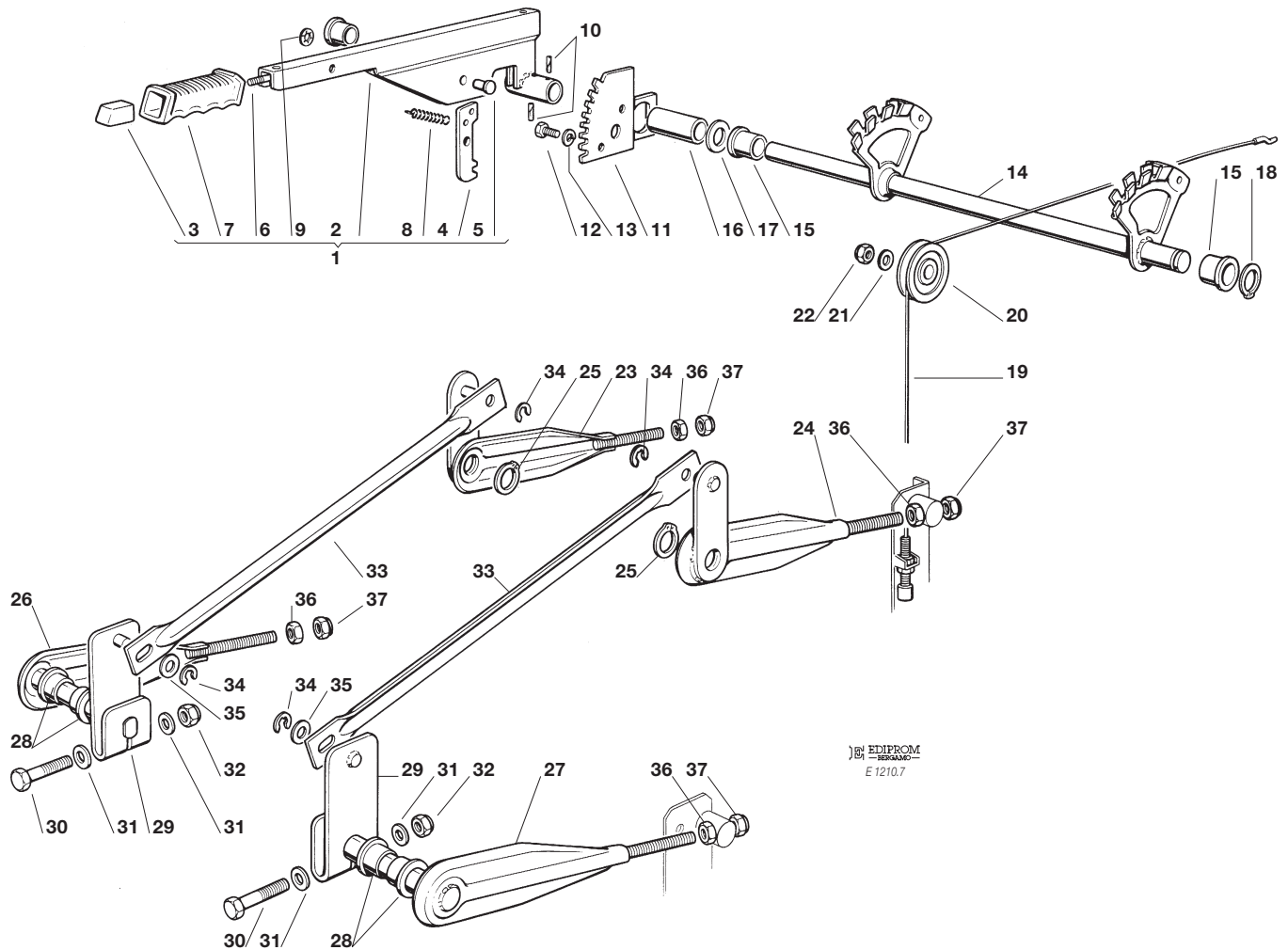
SI VOUS DEVEZ SUBSTITUER LES PIÈCES INDIQUÉES AVEC «\*» SOUS GARANTIE VOUS DEVEZ VOUS ADRESSER AU SERVICE APRÈS VENTES DE LA MAISON CONSTRUCTRICE DU MOTEUR.

BITTE WENDEN SIE SICH BEI GARANTIERPARATUREN DER MIT «\*» GEKENNZEICHNETEN TEILE AN DIE KUNDENDIESNSTSTELLE DES MOTORHERSTELLER.

GRUPPO SOLLEVAMENTO PIATTO  
 CUTTING PLATE LIFTING ASS.Y  
 ENS. SOULEVEMENT PLATEAU DE COUPE  
 SCHNEIDWERKZEUG AUFHEBESATZ

Mod. 1996

**007**

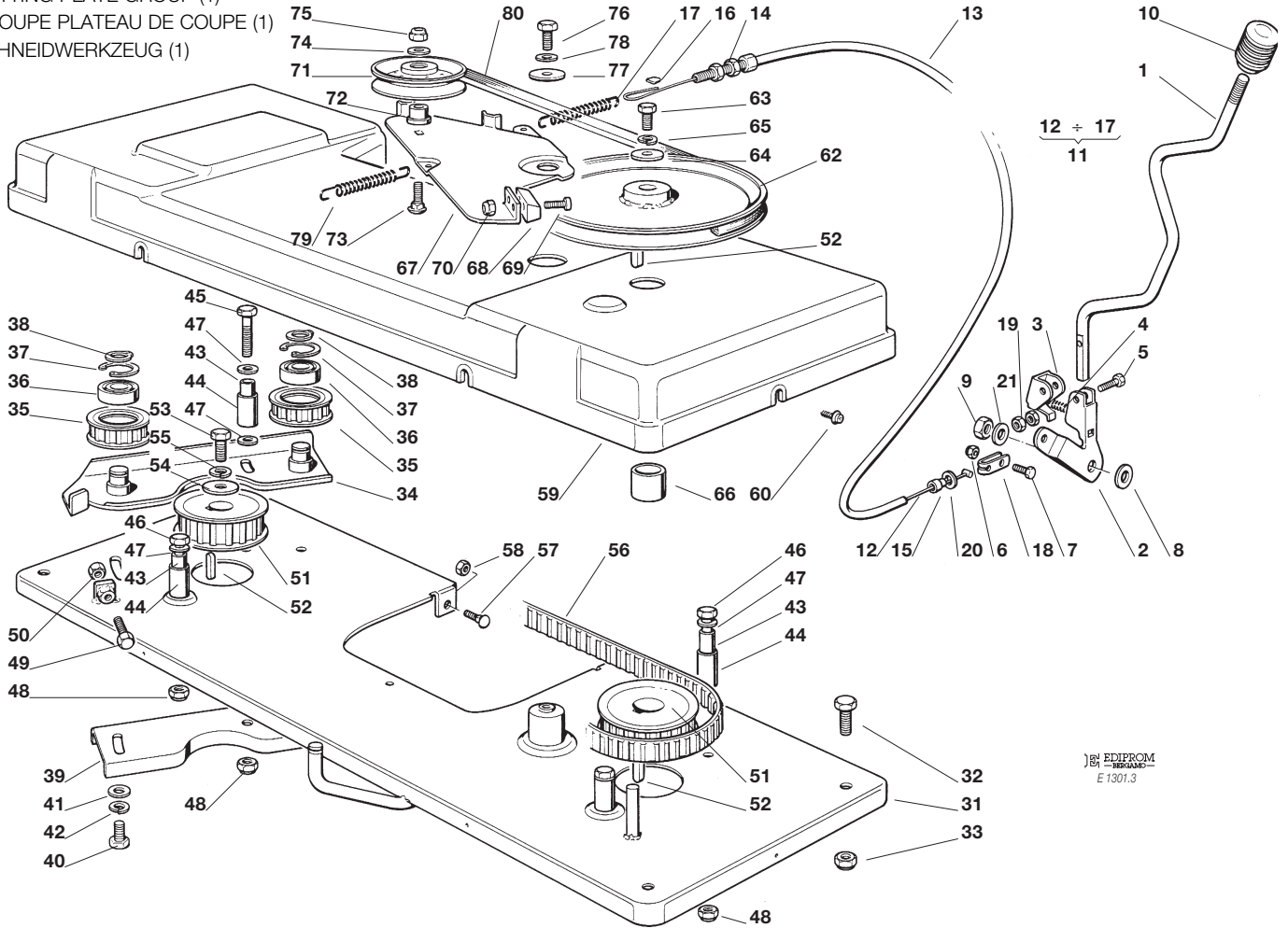


EDIPROM  
 E 1210.7

Pos. Nr.	Codice Kodex Code	Descrizione	Description	Description	Beschreibung	Q.tà Q.ty Q.té Menge
1	82300000/0	ASS. GRUPPO LEVA SOLLEVAMENTO PIATTO	LIFTING LEVER ASS.Y	ENS. LEVIER SOULEVEMENT PLATEAU DE COUPE	SCHNEIDWERKZEUG AUFHEBENHEBEL	1
2	82318103/0	LEVA SOLLEVAMENTO	LIFTING LEVER	LEVIER DE SOULEVEMENT	AUFHEBENHEBEL	1
3	82605000/0	PULSANTE	BUTTON	POUSSOIR	DRUCKKNOPF	1
4	25470901/0	NASELLO	DOG	DECLIC	NASE	1
5	25510011/0	PERNO	PIN	PIVOT	BOLZEN	1
6	25033002/0	ASTA COMANDO	PUSHROD	TIGE COMMANDE	BETAETIGUNGSSTAB	1
7	25394504/0	MANOPOLA	KNOB	POIGNEE	GRIFF	1
8	25430208/0	MOLLA	SPRING	RESSORT	FEDER	1
9	12604899/0	RONDELLA	WASHER	RONDELLE	SCHEIBE	1
10	12620206/0	SPINA	PIN	GOUPILLE	STIFT	1
11	25735501/0	SETTORE REGOLAZIONE	ADJ. SECTOR	SECTEUR REGLEMENT	EINSTELLESEKTOR	1
12	12792611/0	VITE	SCREW	VIS	SCHRAUBE	2
13	12583500/0	GROWER	GROWER	GROWER	GROWER	2
14	82000401/0	ASS. ASSE SOLLEVAMENTO	LIFTING SHAFT	ARBRE SOULEVEMENT	AUFHEBENACHSE	1
15	22034523/0	BOCCOLA	BUSH	DOUILLE	BÜCHSE	3
16	25160004/0	DISTANZIALE	SPACER	ENTRETOISE	ENTFERNUNGSSTUECK	1
17	12521410/0	RONDELLA	WASHER	RONDELLE	SCHEIBE	1
18	12609260/0	SEGER	SEGER	SEGER	SEGER	1
19	82004600/0	ASS. FILO SOLLEVAMENTO	LIFTING WIRE	ENS. FIL SOULEVEMENT	AUFHEBENKABEL	2
20	25601557/0	PULEGGIA	PULLEY	POULIE	SCHEIBE	2
21	12521350/0	RONDELLA	WASHER	RONDELLE	SCHEIBE	2
22	12155000/0	DADO	NUT	ECROU	MUTTER	2

Pos. Nr.	Codice Kodex Code	Descrizione	Description	Description	Beschreibung	Q.tà Q.ty Q.té Menge
23	82318105/0	LEVA FULCRO DX <b>(TC(P) 102)</b>	RIGHT FULCRUM LEVER <b>(TC(P) 102)</b>	LEVIER POINT D'APPUI DROITE <b>(TC(P) 102)</b>	RECHTER SCHWENKPUNKT HEBEL <b>(TC(P) 102)</b>	1
	82318119/0	LEVA FULCRO DX <b>(TC(P) 122)</b>	RIGHT FULCRUM LEVER <b>(TC(P) 122)</b>	LEVIER POINT D'APPUI DROITE <b>(TC(P) 122)</b>	RECHTER SCHWENKPUNKT HEBEL <b>(TC(P) 122)</b>	1
24	82318107/0	LEVA FULCRO SX <b>(TC(P) 102)</b>	LEFT FULCRUM LEVER <b>(TC(P) 102)</b>	LEVIER POINT D'APPUI GAUCHE <b>(TC(P) 102)</b>	LINKER SCHWENKPUNKT HEBEL <b>(TC(P) 102)</b>	1
	82318121/0	LEVA FULCRO SX <b>(TC(P) 122)</b>	LEFT FULCRUM LEVER <b>(TC(P) 122)</b>	LEVIER POINT D'APPUI GAUCHE <b>(TC(P) 122)</b>	LINKER SCHWENKPUNKT HEBEL <b>(TC(P) 122)</b>	1
25	12609255/0	ANELLO	RING	ANNEAU	RING	2
26	82318115/0	LEVA FULCRO ANTERIORE DX <b>(TC(P) 102)</b>	FRONT FULCRUM LEVER RIGHT <b>(TC(P) 102)</b>	LEVIER POINT D'APPUI ANT. DROITE <b>(TC(P) 102)</b>	RECHTER VORDERSCHWENK- PUNKTHEBEL <b>(TC(P) 102)</b>	1
	82318123/0	LEVA FULCRO ANTERIORE DX <b>(TC(P) 122)</b>	FRONT FULCRUM LEVER RIGHT <b>(TC(P) 122)</b>	LEVIER POINT D'APPUI ANT. DROITE <b>(TC(P) 122)</b>	RECHTER VORDERSCHWENK- PUNKTHEBEL <b>(TC(P) 122)</b>	1
27	82318117/0	LEVA FULCRO ANTERIORE SX <b>(TC(P) 102)</b>	FRONT FULCRUM LEVER LEFT <b>(TC(P) 102)</b>	LEVIER POINT D'APPUI ANT. GAUCHE <b>(TC(P) 102)</b>	LINKER VORDERSCHWENK- PUNKTHEBEL <b>(TC(P) 102)</b>	1
	82318125/0	LEVA FULCRO ANTERIORE SX <b>(TC(P) 122)</b>	FRONT FULCRUM LEVER LEFT <b>(TC(P) 122)</b>	LEVIER POINT D'APPUI ANT. GAUCHE <b>(TC(P) 122)</b>	LINKER VORDERSCHWENK- PUNKTHEBEL <b>(TC(P) 122)</b>	1
28	25040605/0	BUSSOLA	BUSH	DOUILLE	BÜCHSE	4
29	82318109/0	ASS. LEVA ASTA COLLEGAMENTO	CONNECTING ROD LEVER	LEVIER TIGE DE CONNEXION	VERBINDUNGSSTAB HEBEL	2
30	12691700/0	VITE	SCREW	VIS	SCHRAUBE	2
31	12521350/0	RONDELLA	WASHER	RONDELLE	SCHEIBE	4
32	12155000/0	DADO	NUT	ECROU	MUTTER	2
33	25033001/0	ASTA COLLEGAMENTO	CONNECTING ROD	TIGE DE CONNEXION	VERBINDUNGSSTAB	2
34	12000955/0	ANELLO ELASTICO	SNAP RING	ANNEAU RESSORT	SPRENGRING	4
35	25670008/0	RONDELLA	WASHER	RONDELLE	SCHEIBE	2
36	12295200/0	DADO	NUT	ECROU	MUTTER	4
37	12156602/0	DADO	NUT	ECROU	MUTTER	4

GRUPPO PIATTO DI TAGLIO (1)  
 CUTTING PLATE GROUP (1)  
 GROUPE PLATEAU DE COUPE (1)  
 SCHNEIDWERKZEUG (1)



EDIPROM  
 E 1301.3

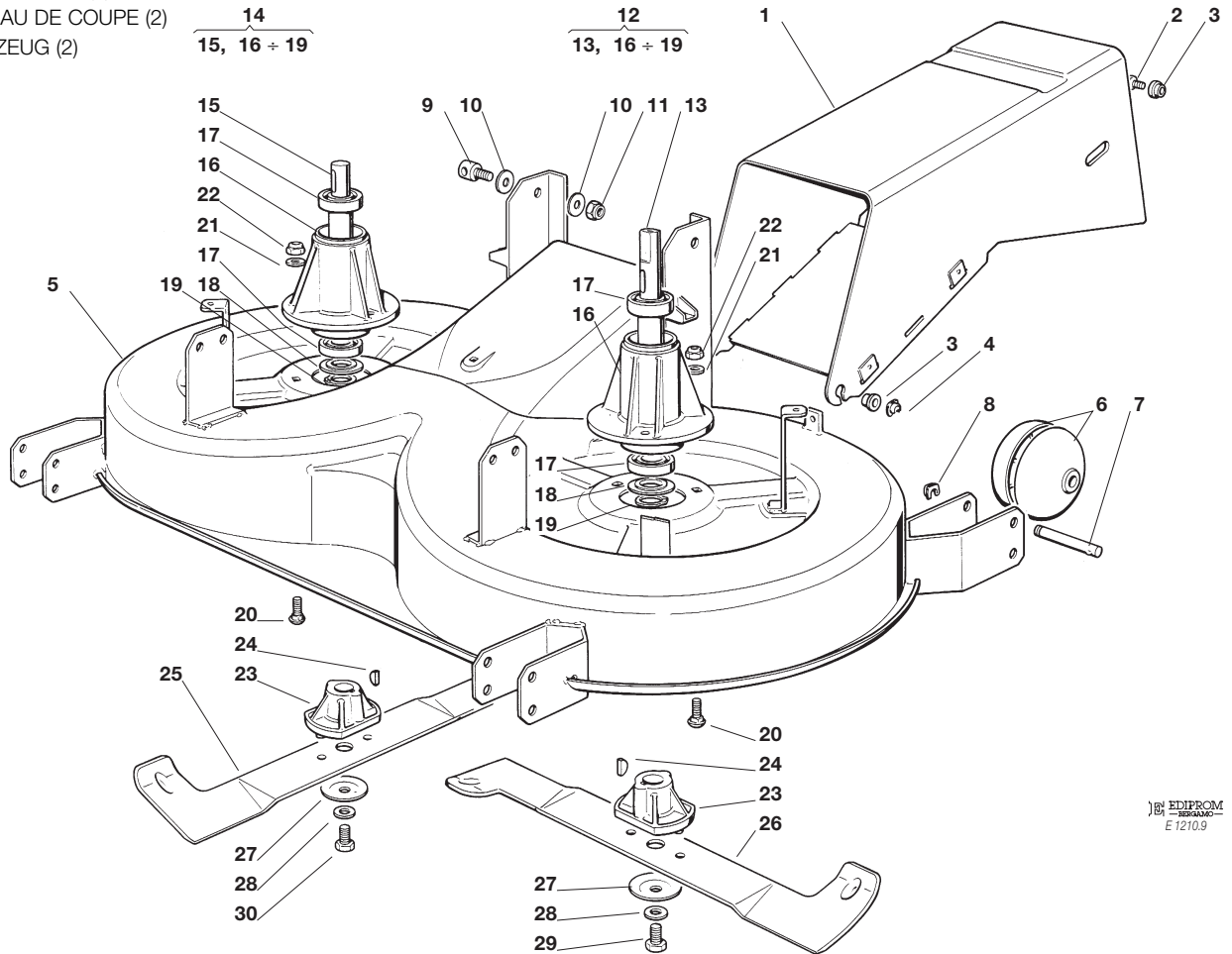
Pos. Nr.	Codice Kodex Code	Descrizione	Description	Description	Beschreibung	Q.tà Q.ty Q.té Menge
1	25318120/0	LEVA INNESTO	ENGAGING LEVER	LEVIER D'EMBRAYAGE	EINSCHALTENHEBEL	1
2	82774209/0	STAFFA LEVA	CLAMP LEVER	BRIDE POUR LEVIER	BRIDE FÜR HEBEL	1
3	25774211/1	STAFFA MOLLA	CLAMP SPRING	BRIDE POUR RESSORT	BRIDE FÜR FEDER	1
4	25430206/1	MOLLA	SPRING	RESSORT	FEDER	1
5	12674550/0	VITE	SCREW	VIS	SCHRAUBE	1
6	12154510/0	DADO	NUT	ECROU	MUTTER	1
7	12791213/0	VITE	SCREW	VIS	SCHRAUBE	1
8	22672151/0	RONDELLA	WASHER	RONDELLE	SCHEIBE	1
9	12155010/0	DADO	NUT	ECROU	MUTTER	1
10	82394503/0	ASSIEME MANOPOLA	HANDLE ASS.Y	ENSEMBLE POIGNÉE	GRIFF	1
11	82004601/0	ASSIEME FILO (TC(P) 102)	WIRE ASS.Y (TC(P) 102)	ENSEMBLE FIL (TC(P) 102)	KABEL (TC(P) 102)	1
	82004602/0	ASSIEME FILO (TC(P) 122)	WIRE ASS.Y (TC(P) 122)	ENSEMBLE FIL (TC(P) 122)	KABEL (TC(P) 122)	1
12	25207100/0	FILO	WIRE	FIL	KABEL	1
13	25265000/0	GUAINA	SHEATH	GAINE	KABEL MANTEL	1
14	25646000/0	REGISTRO	ADJUSTER	REGISTRE	ZUGREGLER	1
15	13120101/0	BUSSOLA	BUSHING	DOUILLE	BÜCHSE	1
16	15407030/0	FASCETTA	CLIP	COLLIER	KABEL BAND	1
17	25430211/0	MOLLA (TC(P) 102)	SPRING (TC(P) 102)	RESSORT (TC(P) 102)	FEDER (TC(P) 102)	1
	25430221/0	MOLLA (TC(P) 122)	SPRING (TC(P) 122)	RESSORT (TC(P) 122)	FEDER (TC(P) 122)	1
18	22061337/0	CAVALLOTTO	CONNECTING PLATE	PLAQUE DE CONNEXION	BUGEL BOLZEN	1
19	12292100/0	DADO	NUT	ECROU	MUTTER	2
20	12523040/0	RONDELLA	WASHER	RONDELLE	SCHEIBE	1
21	12523060/0	RONDELLA	WASHER	RONDELLE	SCHEIBE	1
31	82547003/1	PIASTRA (TC(P) 102)	PLATE (TC(P) 102)	PLATE (TC(P) 102)	PLATTE (TC(P) 102)	1
	82547005/0	PIASTRA (TC(P) 122)	PLATE (TC(P) 122)	PLATE (TC(P) 122)	PLATTE (TC(P) 122)	1

Pos. Nr.	Codice Kodex Code	Descrizione	Description	Description	Beschreibung	Q.tà Q.ty Q.té Menge
32	12792611/0	VITE	SCREW	VIS	SCHRAUBE	4
33	12293201/0	DADO	NUT	ECROU	MUTTER	4
34	82785084/1	ASS. SUPPORTO	SUPPORT ASS.Y	ENS. SUPPORT	HALTERSATZ	1
35	25601559/1	PULEGGIA (TC(P) 102)	PULLEY (TC(P) 102)	POULIE (TC(P) 102)	RIEMENSCHLEIBE (TC(P) 102)	2
	25601561/1	PULEGGIA (TC(P) 122)	PULLEY (TC(P) 122)	POULIE (TC(P) 122)	RIEMENSCHLEIBE (TC(P) 122)	2
36	19216033/1	CUSCINETTO	BEARING	ROULEMENT	KUEGELLAGER	2
37	12610800/0	SEEGER	SEEGER	SEEGER	SEEGER	2
38	12609200/0	SEEGER	SEEGER	SEEGER	SEEGER	2
39	25650037/0	RINF. PULEGGE	PULLEY STIFFENING	REINFORCEMENT DES	RIEMENSCHLEIBE	
				POULIE	VERSTAERKUNG	1
40	12793102/0	VITE	SCREW	VIS	SCHRAUBE	2
41	12521350/0	RONDELLA	WASHER	RONDELLE	SCHEIBE	2
42	12583500/0	GROWER	GROWER	GROWER	GROWER	2
43	25160003/0	DISTANZIALE	SPACER	ENTRETOISE	DISTANZRING	4
44	25038000/0	BOCCOLA	BUSHING	DOUILLE	BUCHSE	4
45	12691700/0	VITE	SCREW	VIS	SCHRAUBE	1
46	12691200/0	VITE	SCREW	VIS	SCHRAUBE	3
47	12521350/0	RONDELLA	WASHER	RONDELLE	SCHEIBE	5
48	12155000/0	DADO	NUT	ECROU	MUTTER	4
49	12793900/0	VITE	SCREW	VIS	SCHRAUBE	1
50	12293200/0	DADO	NUT	ECROU	MUTTER	1
51	25601560/0	PULEGGIA (TC(P) 102)	PULLEY (TC(P) 102)	POULIE (TC(P) 102)	RIEMENSCHLEIBE (TC(P) 102)	2
	25601562/0	PULEGGIA (TC(P) 122)	PULLEY (TC(P) 122)	POULIE (TC(P) 122)	RIEMENSCHLEIBE (TC(P) 122)	2
52	12139480/0	CHIAVETTA	KEY	CLAVETTE	KEIL	3
53	12793102/0	VITE	SCREW	VIS	SCHRAUBE	1
54	25670007/0	RONDELLA	WASHER	RONDELLE	SCHEIBE	1
55	12583500/0	GROWER	GROWER	GROWER	GROWER	1
56	35065600/0	CINGHIA (TC(P) 102)	BELT (TC(P) 102)	COURROIE (TC(P) 102)	KEILRIEMEN (TC(P) 102)	1
	35065601/0	CINGHIA (TC(P) 122)	BELT (TC(P) 122)	COURROIE (TC(P) 122)	KEILRIEMEN (TC(P) 122)	1
57	12815200/0	VITE	SCREW	VIS	SCHRAUBE	3
58	12292102/0	DADO	NUT	ECROU	MUTTER	3
59	25060100/1	CARTER (TC(P) 102)	CASE (TC(P) 102)	CARTER (TC(P) 102)	BLECH (TC(P) 102)	1
	25060101/0	CARTER (TC(P) 122)	CASE (TC(P) 122)	CARTER (TC(P) 122)	BLECH (TC(P) 122)	1
60	12735110/0	VITE	SCREW	VIS	SCHRAUBE	6
62	25601550/0	PULEGGIA (TC(P) 102)	PULLEY (TC(P) 102)	POULIE (TC(P) 102)	RIEMENSCHLEIBE (TC(P) 102)	1
	25601549/0	PULEGGIA (TC(P) 122)	PULLEY (TC(P) 122)	POULIE (TC(P) 122)	RIEMENSCHLEIBE (TC(P) 122)	1
63	12793102/0	VITE	SCREW	VIS	SCHRAUBE	1
64	25670007/0	RONDELLA	WASHER	RONDELLE	SCHEIBE	1
65	12583500/0	GROWER	GROWER	GROWER	GROWER	1
66	25160002/0	DISTANZIALE	SPACER	ENTRETOISE	DISTANZRING	1
67	25318115/0	LEVA FRENO (TC(P) 102)	BRAKE LEVER (TC(P) 102)	LEVIER FREIN (TC(P) 102)	BREMSHEBEL (TC(P) 102)	1
	25318119/0	LEVA FRENO (TC(P) 122)	BRAKE LEVER (TC(P) 122)	LEVIER FREIN (TC(P) 122)	BREMSHEBEL (TC(P) 122)	1
68	25207000/1	FERODO	LINING	PASTILLE FREIN	BREMSBELAG	1
69	12771400/0	VITE	SCREW	VIS	SCHRAUBE	2
70	12154330/0	DADO	NUT	ECROU	MUTTER	2
71	25601555/0	PULEGGIA	PULLEY	POULIE	RIEMENSCHLEIBE	1
72	25160007/0	DISTANZIALE	SPACER	ENTRETOISE	DISTANZRING	1
73	12818900/0	VITE	SCREW	VIS	SCHRAUBE	1
74	12523060/0	RONDELLA	WASHER	RONDELLE	SCHEIBE	1
75	12155000/0	DADO	NUT	ECROU	MUTTER	1
76	12793101/0	VITE	SCREW	VIS	SCHRAUBE	1
77	12523070/0	RONDELLA	WASHER	RONDELLE	SCHEIBE	1
78	12583500/0	GROWER	GROWER	GROWER	GROWER	1
79	25430210/0	MOLLA FRENO LAMA (TC(P) 102)	BLADE BRAKE SPRING (TC(P) 102)	RESSORT FREIN LAME (TC(P) 102)	MESSER BREMSE FEDER1 (TC(P) 102)	1
	25430220/0	MOLLA FRENO LAMA (TC(P) 122)	BLADE BRAKE SPRING (TC(P) 122)	RESSORT FREIN LAME (TC(P) 122)	MESSER BREMSE FEDER1 (TC(P) 122)	1
80	35062811/0	CINGHIA (TC(P) 102)	BELT (TC(P) 102)	COURROIE (TC(P) 102)	KEIL RIEMEN (TC(P) 102)	1
	35062812/0	CINGHIA (TC(P) 122)	BELT (TC(P) 122)	COURROIE (TC(P) 122)	KEIL RIEMEN (TC(P) 122)	1

GRUPPO PIATTO DI TAGLIO (2)  
 CUTTING PLATE GROUP (2)  
 GROUPE PLATEAU DE COUPE (2)  
 SCHNEIDWERKZEUG (2)

Mod. 1996

**009**



EDIPROM  
 E 1210.9

Pos. Nr.	Codice Kodex Code	Descrizione	Description	Description	Beschreibung	Q.tà Q.ty Q.té Menge
1	82108004/0	ASSIEME CONVOGLIATORE POST.	REAR CONVEYOR ASS.Y	ENS. CONVOYEUR POST.	HINTERLEITBLECHSATZ	1
2	12793101/0	VITE	SCREW	VIS	SCHRAUBE	2
3	25038002/0	BOCCOLA	BUSHING	DOUILLE	BUCHSE	4
4	12436050/0	PIASTRINA	PLATE	PLAQUE	PLATTE	2
5	82564001/2	ASSIEME PIATTO DI TAGLIO <b>(TC(P) 102)</b>	CUTTING PLATE ASS.Y <b>(TC(P) 102)</b>	ENS. PLATEAU DE COUPE <b>(TC(P) 102)</b>	SCHNEIDWERKZEUG <b>(TC(P) 102)</b>	1
	82564005/0	ASSIEME PIATTO DI TAGLIO <b>(TC(P) 122)</b>	CUTTING PLATE ASS.Y <b>(TC(P) 122)</b>	ENS. PLATEAU DE COUPE <b>(TC(P) 122)</b>	SCHNEIDWERKZEUG <b>(TC(P) 122)</b>	1
6	82700000/0	RUOTINO ANTISCALPO	LEVELLING SMALL WHEEL	PETITE ROUEDE INVEL- LEMENT	EBENUNGRAEDCHEN	4
7	25510006/0	PERNO	PIN	PIVOT	BOLZEN	4
8	12436030/0	PIASTRINA	PLATE	PLAQUE	PLATTE	4
9	25510024/0	PERNO	PIN	PIVOT	BOLZEN	4
10	25670008/0	RONDELLA	WASHER	RONDELLE	SCHEIBE	8
11	12156602/0	DADO	NUT	ECROU	MUTTER	4
12	82207200/0	ASS. FLANGIA ALBERO PRINCIPALE (13, 16÷19)	BLADE MAIN SHAFT SUPPORT (13, 16÷19)	SUPPORT ARBRE LAME PRINCIPAL (13, 16÷19)	MASSERWELLEHAPT- SATZ (13, 16÷19)	1
13	25020800/0	ALBERO LAMA PRINCIPALE	MAIN BLADE SHAFT	ARBRE LAME PRINCIPAL	HAUP MESSERWELLE	1
14	82207201/1	ASS. FLANGIA ALBERO SECONDARIO (15,16÷19)	BLADE SECONDARY SHAFT SUPPORT (15, 16÷19)	SUPPORT ARBRE LAME SECONDAIRE (15,16÷19)	MASSERWELLE ZWEITER- SATZ (15,16÷19)	1
15	25020801/1	ALBERO LAMA SECONDARIO	SECONDARY BLADE SHAFT	ARBRE LAME SECONDAIRE	ZWEITE MESSERWELLE	1
16	25207200/0	FLANGIA ALBERO LAMA	BLADE SHAFT SUPPORT	SUPPORT ARBRE LAME	MESSERWELLE	2
17	19216032/0	CUSCINETTO	BEARING	ROULEMENT	KUEGELLAGER	4
18	25160501/0	DISCO PARAPOLVERE	DUST COVER	PROTEGE-POUSSIERE	STAUBSCHUTTSCHIEBE	2
19	12609260/0	SEEGER	SEEGER	SEEGER	SEEGER	2

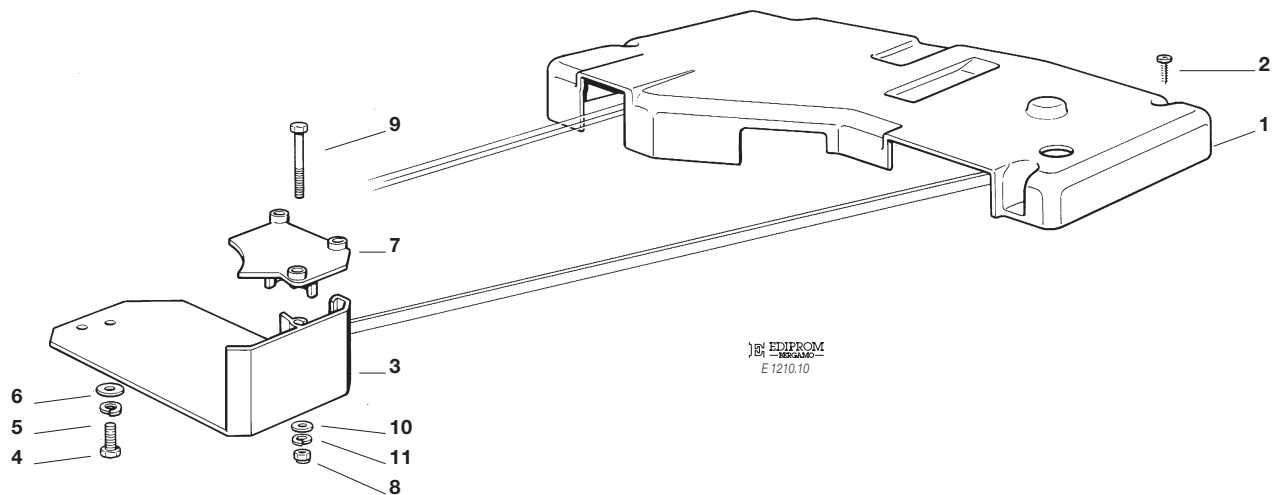


Pos. Nr.	Codice Kodex Code	Descrizione	Description	Description	Beschreibung	Q.tà Q.ty Q.té Menge
20	12818700/0	VITE	SCREW	VIS	SCHRAUBE	6
21	12521350/0	RONDELLA	WASHER	RONDELLE	SCHEIBE	6
22	12155000/0	DADO	NUT	ECROU	MUTTER	6
23	25463200/0	MOZZO COLTELLO	BLADE HUB	MOYEU LAME	MESSERHALTER	2
24	12139100/0	LINGUETTA	KEY	CLAVETTE	KEIL	2
25	82004341/0	ASS. COLTELLO DX <b>(TC(P) 102)</b>	RIGHT BLADE ASS.Y <b>(TC(P) 102)</b>	ENS. LAME DROITE <b>(TC(P) 102)</b>	RECHTER MESSERSATZ <b>(TC(P) 102)</b>	1
	82004343/0	ASS. COLTELLO DX <b>(TC(P) 122)</b>	RIGHT BLADE ASS.Y <b>(TC(P) 122)</b>	ENS. LAME DROITE <b>(TC(P) 122)</b>	RECHTER MESSERSATZ <b>(TC(P) 122)</b>	1
26	82004340/0	ASS. COLTELLO SX <b>(TC(P) 102)</b>	LEFT BLADE ASS.Y <b>(TC(P) 102)</b>	ENS. LAME GAUCHE <b>(TC(P) 102)</b>	LINKER MESSERSATZ <b>(TC(P) 102)</b>	1
	82004342/0	ASS. COLTELLO SX <b>(TC(P) 122)</b>	LEFT BLADE ASS.Y <b>(TC(P) 122)</b>	ENS. LAME GAUCHE <b>(TC(P) 122)</b>	LINKER MESSERSATZ <b>(TC(P) 122)</b>	1
27	22160400/0	DISCO ELASTICO	ELASTIC WASHER	RONDELLE ELASTIQUE	FEDERSCHEIBE	2
28	12523080/0	RONDELLA	WASHER	RONDELLE	SCHEIBE	2
29	12735694/0	VITE	SCREW	VIS	SCHRAUBE	1
30	12735695/0	VITE	SCREW	VIS	SCHRAUBE	1
—	82565000/0	PIATTO DI TAGLIO ASSEMBLATO <b>(TC(P) 102)</b> <b>(008, 31÷80 + 009, 5÷30)</b>	CUTTING PLATE, ASSEMBLED <b>(TC(P) 102)</b> <b>(008, 31÷80 + 009, 5÷30)</b>	PLATEAU DE COUPE,S COMPLETE <b>(TC(P) 102)</b> <b>(008, 31÷80 + 009, 5÷30)</b>	CHNEIDWERKZEUG, KOMPLETT <b>(TC(P) 102)</b> <b>(008, 31÷80 + 009, 5÷30)</b>	1
—	82565003/0	PIATTO DI TAGLIO, ASSEMBLATO <b>(TC(P) 122)</b> <b>(008, 31÷80 + 009, 5÷30)</b>	CUTTING PLATE, ASSEMBLED <b>(TC(P) 122)</b> <b>(008, 31÷80 + 009, 5÷30)</b>	PLATEAU DE COUPE,S COMPLETE <b>(TC(P) 122)</b> <b>(008, 31÷80 + 009, 5÷30)</b>	CHNEIDWERKZEUG, KOMPLETT <b>(TC(P) 122)</b> <b>(008, 31÷80 + 009, 5÷30)</b>	1

GRUPPO PIATTO DI TAGLIO (3)  
 CUTTING PLATE GROUP (3)  
 GROUPE PLATEAU DE COUPE (3)  
 SCHNEIDWERKZEUG (3)

Mod. 1996

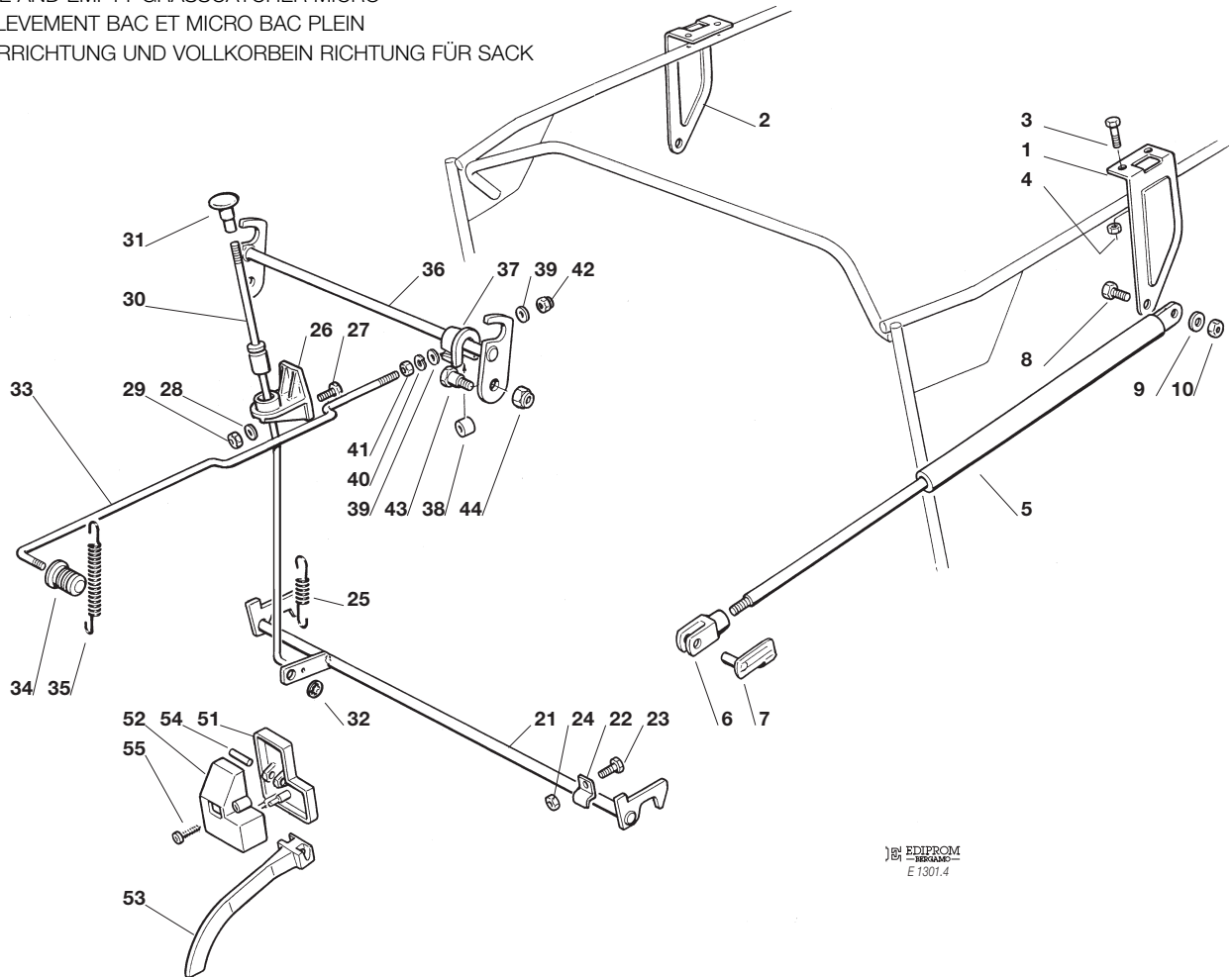
**010**



Pos. Nr.	Codice Kodex Code	Descrizione	Description	Description	Beschreibung	Q.tà Q.ty Q.té Menge
1	25600000/0	PROTEZIONE CINGHIA POST. <b>(TC(P) 102)</b>	REAR BELT PROTECTION <b>(TC(P) 102)</b>	PROTECTION COURROIRE POSTERIEURE <b>(TC(P) 102)</b>	HINTERR RIEMENSCHUTZ <b>(TC(P) 102)</b>	1
	25600008/0	PROTEZIONE CINGHIA POST. <b>(TC(P) 122)</b>	REAR BELT PROTECTION <b>(TC(P) 122)</b>	PROTECTION COURROIRE POSTERIEURE <b>(TC(P) 122)</b>	HINTERR RIEMENSCHUTZ <b>(TC(P) 122)</b>	1
2	12735402/0	VITE	SCREW	VIS	SCHRAUBE	4
3	25600005/0	PROTEZIONE INFERIORE	LOW PROTECTION	PROTECTION INFERIEURE VORDERRIEMEN	UNTERSCHUTZ FÜR VORDERRIEMEN	1
4	12789195/0	VITE	SCREW	VIS	SCHRAUBE	2
5	12581500/0	GROWER	GROWER	GROWER	GROWER	2
6	12523020/0	RONDELLA	WASHER	RONDELLE	SCHEIBE	2
7	25600006/0	PROTEZIONE SUPERIORE	UPPER PROTECTION	PROTECTION SUPERIEURE	OBERSCHUTZ FÜR VORDERRIEMEN	1
8	12154330/0	DADO	NUT	ECROU	MUTTER	3
9	12789360/0	VITE	SCREW	VIS	SCHRAUBE	3
10	12523020/0	RONDELLA	WASHER	RONDELLE	SCHEIBE	3

GRUPPO SOLLEVAMENTO SACCO E MICRO SACCO PIENO  
 LIFTING DEVICE AND EMPTY GRASSCATCHER MICRO  
 GROUPE SOULEVEMENT BAC ET MICRO BAC PLEIN  
 AUSHEBENVORRICHTUNG UND VOLLKORB EIN RICHTUNG FÜR SACK

Mod. 1996 **011**



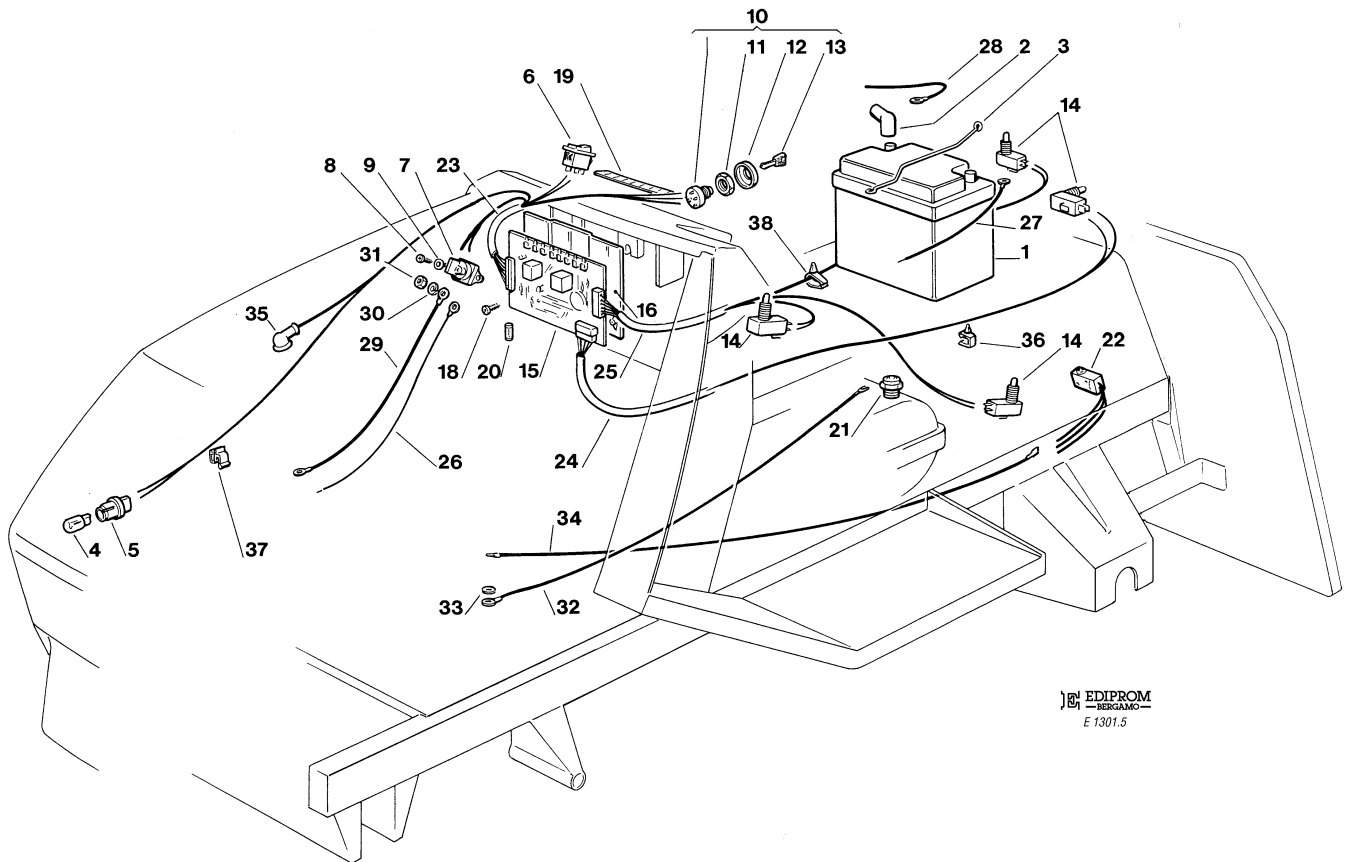
Pos. Nr.	Codice Kodex Code	Descrizione	Description	Description	Beschreibung	Q.tà Q.ty Q.té Menge
1	25547005/0	PIASTRA SX	LEFT PLATE	PLAQUE GAUCHE	LINKE PLATTE	1
2	25547007/0	PIASTRA DX	RIGHT PLATE	PLAQUE DROITE	RECHTE PLATTE	1
3	12792611/0	VITE	SCREW	VIS	SCHRAUBE	4
4	12293201/0	DADO	NUT	ECROU	MUTTER	4
5	18564600/0	PISTONE SOLLEVAMENTO	LIFTING PISTON	RESSORT A GAZ	GASFEDER	2
6	18399000/0	FORCELLA	FORK	FOURCHE	GABEL	2
7	18210200/0	CLIP	CLIP	CLIP	SPERRBOLZEN	2
8	12793101/0	VITE	SCREW	VIS	SCHRAUBE	2
9	12521350/0	ROSETTA	WASHER	RONDELLE	SCHEIBE	2
10	12155000/0	DADO	NUT	ECROU	MUTTER	2
21	82000353/0	ASTA AGGANCIAMENTO SACCO INF.	LOWER COUPLING ROD	TIGE D'ACCROCHAGE INF.	UTERRE KUPPLUNGSTANGE	1
22	25774220/0	STAFFA ANCORAGGIO	ANCHOR BRACKET	ETRIER	BRIDE	2
23	12791200/0	VITE	SCREW	VIS	SCHRAUBE	4
24	12292102/0	DADO	NUT	ECROU	MUTTER	2
25	25430213/0	MOLLA	SPRING	RESSORT	FEDER	1
26	25785055/0	SUPPORTO GUIDA ASTA	SUPPORT	SUPPORT	SUPPORT	1
27	12791200/0	VITE	SCREW	VIS	SCHRAUBE	1
28	12521330/0	ROSETTA	WASHER	RONDELLE	SCHEIBE	1
29	12154510/0	DADO	NUT	ECROU	MUTTER	1
30	82000454/0	ASTA SGANCIO	RELEASE ROD	TIGE DE DECHOCAGE	ENTKUPPLUNGSTANGE	1
31	82394504/0	MANOPOLA	HANDLE	POIGNEE	GRIF	1
32	12604897/0	RONDELLA DI RITEGNO	WASHER	RONDELLE	SCHEIBE	1
33	25033010/0	ASTA BLOCCAGGIO	LOCKING ROD	TIGE DE BLOCAGE	KLEMENSTANGE	1
34	82394505/0	MANOPOLA	HANDLE	POINGEE	GRIF	1

Pos. Nr.	Codice Kodex Code	Descrizione	Description	Description	Beschreibung	Q.tà Q.ty Q.té Menge
35	25430208/0	MOLLA	SPRING	RESSORT	FEDER	1
36	82000351/0	ASTA AGGANCIAMENTO SACCOSUP.	UPPER COUPLING ROD	TIGE D'ACCROCHAGE SUP.	OBERE KUPLUNGSTANGE	1
37	25774218/0	STAFFA ANCORAGGIO ASTA	BRACKET	ENTRETIER	BRIDE	1
38	25160012/0	DISTANZIALE	SPACER	ENTRETOISE	ENTFERNUNGSTUECK	1
39	12531330/0	ROSETTA	WASHER	RONDELLE	SCHEIBE	2
40	12582101/0	GROWER	GROWER	GROWER	GROWER	1
41	12292100/0	DADO	NUT	ECROU	MUTTER	1
42	12154510/0	DADO	NUT	ECROU	MUTTER	1
43	25510025/0	PERNO	PIN	PIVOT	BOLZEN	2
44	12156602/0	DADO	NUT	ECROU	MUTTER	2
51	25600014/0	COPERCHIO PROTEZIONE	PROTECTION	PROTECTION	SHUTZ	1
52	25600013/0	PROTEZIONE MICRO	MICRO PROTECTION	PROTECTION MICRO	SCHUTZ	1
53	25318122/0	LEVA	LEVER	LEVIER	HEBEL	1
54	12400030/0	PERNO	PIN	PIVOT	BOLZEN	1
55	12728440/0	VITE	SCREW	VIS	SCHRAUBE	2

GRUPPO PARTI ELETTRICHE  
 ELECTRICAL PARTS GROUP  
 GROUPE PARTIES ELECTRIQUES  
 ELETRISCHETEILE

Mod. 1996

**012**



EDIPROM  
 E 1301.5

Pos. Nr.	Codice Kodex Code	Descrizione	Description	Description	Beschreibung	Q.tà Q.ty Q.té Menge
1	18120000/0	BATTERIA 12 V - 20 Ah	BATTERY 12 V - 20 Ah	BATTERIE 12 V - 20 Ah	BATTERIE 12 V - 20 Ah	1
	18120001/0	BATTERIA 12 V - 24 Ah	BATTERY 12 V - 24 Ah	BATTERIE 12 V - 24 Ah	BATTERIE 12 V - 24 Ah	1
2	25600001/0	PROTEZIONE	PROTECTION	PROTECTION	SCHUTZ	1
3	25430200/0	MOLLA	SPRING	RESSORT	FEDER	2
4	18459100/0	LAMPADA	FARILAMP FOR LIGHTS	LAMPE POUR PHARES	LAMPENFASSUN	2
5	33500030/0	PORTALAMPADE	LAMP HOLDER	DOUILLE DE LAMPE	SCHEINWERFERLAMPE	2
6	18450060/0	INTERRUTTORE	FARILAMP SWITCH	INTERRUPTEUR PHARES	LICHTEN SCHALTER	1
7	18736110/0	SOLENOIDE	SOLENOID	SOLENOIDE	SOLENOID	1
8	12728510/0	VITE	SCREW	VIS	SCHRAUBE	2
9	12521320/0	RONDELLA	WASHER	RONDELLE	SCHEIBE	2
10	18450065/1	INTERRUTTORE AVVIAMENTO	STARTING SWITCH	INTERRUPTEUR DEMARRAGE	SCHALTER	1
11	18400861/0	GHIERA	SCREWED RING	EMBOUT	NUTMUTTER	1
12	18565351/0	PROTEZIONE GHIERA	SCREWED RING PROTECTION	PROTECTION EMBOUT	NUTMUTTER SCHUTZ	1
13	18210016/0	CHIAVE AVVIAMENTO	STARTING KEY	CLEF A DEMARRAGE	SCHLÜSSEL FÜR START	1
14	19410603/1	MICRO INTERRUTTORE	MICRO	MICRO	MIKRO	4
15	***	SCHEDA ELETTRONICA	ELECTRONIC CARD	CARTE ELECTRONIQUE	ELEKTRONISCHE KARTE	1
16	25600007/0	PROTEZIONE SCHEDA (TC)	CARD PROTECTION (TC)	PROTECTION CARTE (TC)	KARTESCHUTZ (TC)	1
16	25600009/0	PROTEZIONE SCHEDA (TCP)	CARD PROTECTION (TCP)	PROTECTION CARTE (TCP)	KARTESCHUTZ (TCP)	1
18	12735105/0	VITE	SCREW	VIS	SCHRAUBE	3
19	25420000/0	MEMBRANA (6 FUNZ.)	CHECK CONTROLL (6 FUNCTIONS)	PANNEAU DE CONTROLE (6 INDICATIONS)	KONTROLLTAFEL (6 ANGABEN)	1
	25420001/0	MEMBRANA (8 FUNZ.)	CHECK CONTROLL (8 FUNCTIONS)	PANNEAU DE CONTROLE (8 INDICATIONS)	KONTROLLTAFEL (8 ANGABEN)	1
20	33340033/0	FUSIBILE 6,3 Amp. T	FUSE 6.3 Amp. T	FUSIBLE 6,3 Amp. T	SICHERUNG 6,3 Amp. T	1
21	19410604/0	INTERRUTTORE CAMBIO	GEARBOX SWITCH	INT. BOÎTE DE VITESSE	ANTRIEB SCHALTER	1

Pos. Nr.	Codice Kodex Code	Descrizione	Description	Description	Beschreibung	Q.tà Q.ty Q.té Menge
22	25425000/0	MICRO SACCO PIENO	FULL GRASSCATCHER MICROSWITCH	MICRO BAC PLEIN	VOLLKORB VORRICHTUNG	1
23	☛	ASS. CABLAGGIO	CABLES ASS.Y	ENS. CABLAGES	KABELSATZ	1
	82040024/0	12,5 HP B&S	12,5 HP B&S	12,5 HP B&S	12,5 HP B&S	
	82040026/0	16 HP B&S	16 HP B&S	16 HP B&S	16 HP B&S	
	82040022/0	14 HP KOHLER	14 HP KOHLER	14 HP KOHLER	14 HP KOHLER	
	82040025/0	15,5HP B&S	15,5HP B&S	15,5HP B&S	15,5HP B&S	
	82040027/0	18 HP KOHLER	18 HP KOHLER	18 HP KOHLER	18 HP KOHLER	
24	☛	ASS. CABLAGGIO	CABLES ASS.Y	ENS. CABLAGES	KABELSATZ	1
	82040004/1	12,5 - 15,5 HP B&S - 14 - 18 HP KOHLER	12,5 - 15,5 HP B&S - 14 -18 HP KOHLER	12,5 - 15,5 HP B&S - 14 -18 HP KOHLER	12,5 - 15,5 HP B&S - 14 -18 HP KOHLER	
	82040005/1	16 HP B&S	16 HP B&S	16 HP B&S	16 HP B&S	
25	***	ASS. CABLAGGIO	CABLES ASS.Y	ENS. CABLAGES	KABELSATZ	1
26	☛	CAVO RICARICA	CABLE	CABLES	KABEL	1
	25065003/0	12,5 - 15,5 - 16 HP B&S	12,5 - 15,5 - 16 HP B&S	12,5 - 15,5 - 16 HP B&S	12,5 - 15,5 - 16 HP B&S	
	25065008/0	18 HP KOHLER	18 HP KOHLER	18 HP KOHLER	18 HP KOHLER	
27	25065004/0	CAVO MASSA BATTERIA	CABLE	CABLES	KABEL	1
28	25065001/0	CAVO BATT. SOLENOIDE	CABLE	CABLES	KABEL	1
29	25065002/0	CAVO SOLENOIDE MOT.	CABLE	CABLES	KABEL	1
30	12583500/0	GROWER	GROWER	GROWER	GROWER	2
31	12360352/0	DADO	NUT	ECROU	MUTTER	2
32	25065005/0	CAVO MASSA	CABLE	CABLES	KABEL	1
33	12540260/0	RONDELLA	WASHER	RONDELLE	SCHEIBE	1
34	***	CAVO COLL. MICRO	CABLE	CABLES	KABEL	1
35	18564861/0	CAPPUCCIO PROTEZIONE	PROTECTION	PROTECTION	SCHUTZ	1
36	33320505/0	FERMACAVO	FAIRLED	FIXATION CABLE	KABELBEFESTIGUNG	1
37	33320504/0	FERMACAVO	FAIRLED	FIXATION CABLE	KABELBEFESTIGUNG	1
38	33320506/0	FERMACAVO	FAIRLED	FIXATION CABLE	KABELBEFESTIGUNG	2

**\*\*\* PER I PARTICOLARI CONTRASSEGNA TI, VERIFICARE L'ALLESTIMENTO DEL TRATTORINO:  
FOR THE MARKED ITEMS, PLEASE CHECK TRACTOR'S VERSION:  
POUR LES PIECES MARQUEES, VERIFIEZ LA VERSION DE L'AUTOPORTEE:  
FÜR KENNENZEICHNETEN TEILE, BITTE PRÜFEN SIE DER AUFSITZMÄHERAUSSTATTUNG:**

**a) Motore 12,5 - 15,5 HP B&S, 14 - 18 HP Kohler + Interruttore cambio (21)  
Engine 12,5 - 15,5 HP B&S, 14 - 18 HP Kohler + Gearbox switch (21)  
Moteur 12,5 - 15,5 HP B&S, 14 - 18 HP Kohler + Interrupteur boîte de vitesse (21)  
Motor 12,5 - 15,5 HP B&S, 14 - 18 HP Kohler + Antrieb Schalter (21)**

15	25722405/0	SCHEDA ELETTRONICA 6 FUNZIONI	ELECTRONIC CARD 6 FUNCTIONS	CARTE ELECTRONIQUE 6 INDICAT	ELEKTRONISCHE KARTE 6 ANGABEN	1
25	82040002/1	ASS. CABLAGGIO	CABLES ASS.Y	ENS. CABLAGES	KABELSATZ	1

**b) Motore 12,5 - 15,5 HP B&S, 14 - 18 HP Kohler + Interruttore cambio (21) + Micro sacco pieno (22)  
Engine 12,5 - 15,5 HP B&S, 14 - 18 HP Kohler + Gearbox switch (21) + Full grasscatcher micriswitch (22)  
Moteur 12,5 - 15,5 HP B&S, 14 - 18 HP Kohler + Interrupteur boîte de vitesse (21) + Micro bac plein (22)  
Motor 12,5 - 15,5 HP B&S, 14 - 18 HP Kohler + Antrieb Schalter (21) + Vollkorb Vorrichtung (22)**

15	25722406/0	SCHEDA ELETTRONICA 6 FUNZIONI	ELECTRONIC CARD 6 FUNCTIONS	CARTE ELECTRONIQUE 6 INDICAT	ELEKTRONISCHE KARTE 6 ANGABEN	1
25	82040029/0	ASS. CABLAGGIO	CABLES ASS.Y	ENS. CABLAGES	KABELSATZ	1
34	25065011/0	CAVO COLL. MICRO	CABLE	CABLES	KABEL	1

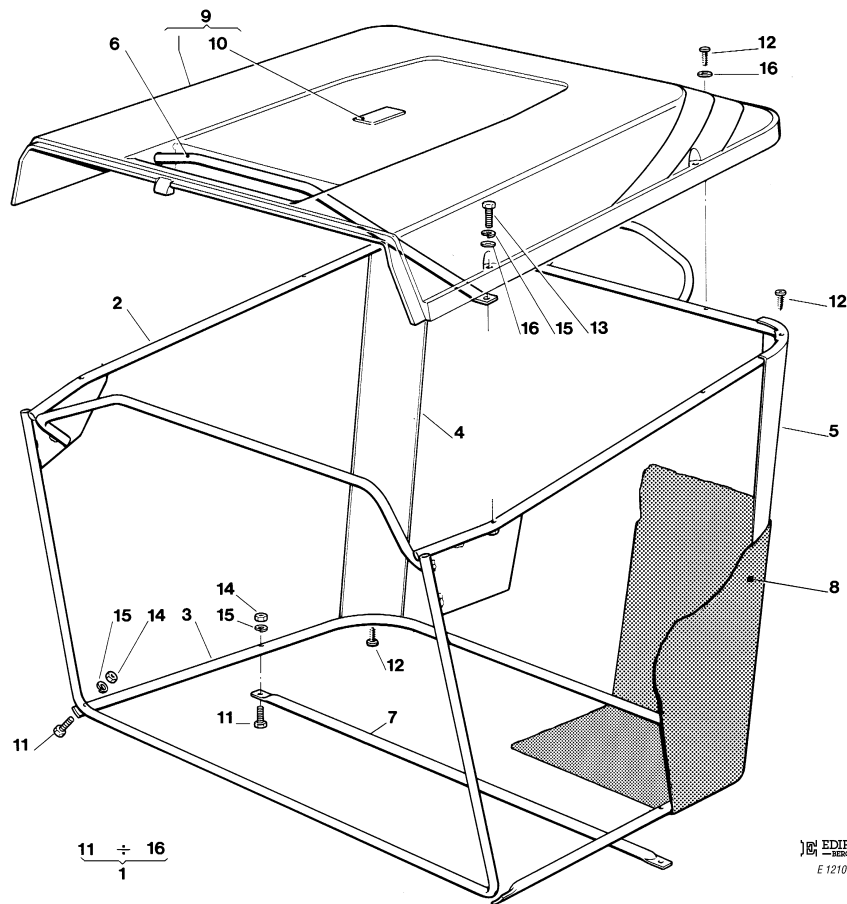
**c) Motore 16 HP B&S + Interruttore cambio (21) + Micro sacco pieno (22)  
Engine 16 HP B&S + Gearbox switch (21) + Full grasscatcher micriswitch (22)  
Moteur 16 HP B&S + Interrupteur boîte de vitesse (21) + Micro bac plein (22)  
Motor 16 HP B&S + Antrieb Schalter (21) + Vollkorb Vorrichtung (22)**

15	25722407/0	SCHEDA ELETTRONICA 8 FUNZIONI	ELECTRONIC CARD 8 FUNCTIONS	CARTE ELECTRONIQUE 8 INDICAT	ELEKTRONISCHE KARTE 8 ANGABEN	1
25	82040028/0	ASS. CABLAGGIO	CABLES ASS.Y	ENS. CABLAGES	KABELSATZ	1
34	25065011/0	CAVO COLL. MICRO	CABLE	CABLES	KABEL	1

GRUPPO SACCO  
 GRASSCATCHER GROUP  
 GROUPE SAC  
 GRASFANGEINRICHTUNG

Mod. 1996

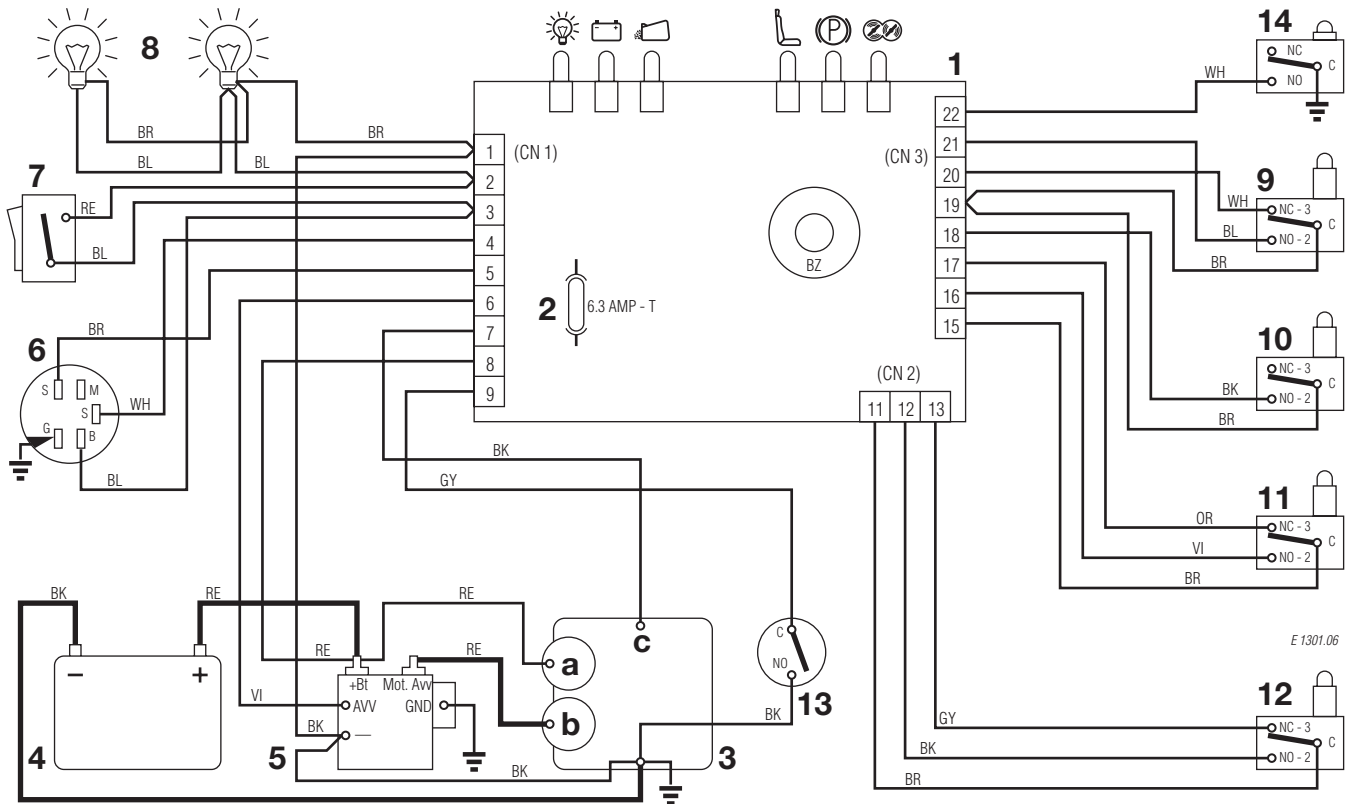
**013**



Pos. Nr.	Codice Kodex Code	Descrizione	Description	Description	Beschreibung	Q.tà Q.ty Q.té Menge
1	82180000/2	DOTAZIONE SACCO	GRASS-BOX OUTFIT	DOTATION BAC	KORBAUS TATTUNG	1
2	82800008/0	ASS. TELAIO SUP.	UPPER FRAME ASS.Y	ENS. CHASSIS SUPERIEUR	OBERERRAHMEN SATZ	1
3	82800002/0	ASS. TELAIO INF.	LOWER FRAME ASS.Y	ENS. CHASSIS INFERIEUR	UNTERERRAHMEN SATZ	1
4	25032001/1	ANGOLARE DX	RIGHT ANGULAR SUPPORT	SUPPORT ANGULAIRE DROITE	RECHTER HALTER	1
5	25032002/1	ANGOLARE SX	LEFT ANGULAR SUPPORT	SUPPORT ANGULAIRE GAUCHE	LINKER HALTER	1
6	82394001/0	MANIGLIA ANT.	FRONT HANDLE	POIGNEE ANTERIEURE	VORDERGRIFF	1
7	82650038/0	RINFORZO INF.	LOWER STIFFENING	RENFORCEMENT SUPER.	OBERE VERSTAERKUNG	1
8	82106000/1	SACCO	GRASSCATCHER	SAC	SACK	1
9	☛	COPERTURA SACCO (TC)	GRASSSCAT. PLASTIC (TC)	SAC COUVERTURE (TC)	SACKABDECKUNG (TC)	1
	82110158/1	ROSSA	RED	ROUGE	ROT	
	82110159/0	VERDE	GREEN)	VERT	GRÜN	
	82110160/0	GIALLA	YELLOW	JAUNE	GELB	
	82110161/0	BLU	BLUE	BLEU	BLAU	
	☛	COPERTURA SACCO (TCP)	GRASSSCAT. PLASTIC (TCP)	SAC COUVERTURE (TCP)	SACKABDECKUNG (TCP)	1
	82110170/0	ROSSA	RED	ROUGE	ROT	
	82110171/0	VERDE	GREEN)	VERT	GRÜN	
	82110172/0	GIALLA	YELLOW	JAUNE	GELB	
	82110173/0	BLU	BLUE	BLEU	BLAU	
10	☛	PIASTRINA (TC)	PLATE (TC)	PLAQUE (TC)	PLATTE (TC)	1
	25547016/1	ROSSA	RED	ROUGE	ROT	
	25547015/0	VERDE	GREEN	VERT	GRÜN	
	25547014/0	GIALLA	YELLOW	JAUNE	GELB	
	25547024/0	BLU	BLUE	BLEU	BLAU	

Pos. Nr.	Codice Kodex Code	Descrizione	Description	Description	Beschreibung	Q.tà Q.ty Q.té Menge
	← 25547025/0	PIASTRINA (TCP) ROSSA	PLATE (TCP) RED	PLAQUE (TCP) ROUGE	PLATTE (TCP) ROT	1
	25547026/0	VERDE	GREEN	VERT	GRÜN	
	25547027/0	GIALLA	YELLOW	JAUNE	GELB	
	25547028/0	BLU	BLUE	BLEU	BLAU	
11	12792099/0	VITE	SCREW	VIS	SCHRAUBE	4
12	12729601/0	VITE	SCREW	VIS	SCHRAUBE	8
13	12674701/0	VITE	SCREW	VIS	SCHRAUBE	2
14	12292100/0	DADO	NUT	ECROU	MUTTER	4
15	12582101/0	GROWER	GROWER	GROWER	GROWER	6
16	12521331/0	RONDELLA	WASHER	RONDELLE	SCHEIBE	6





<b>1</b>	SCHEDA CON BUZZER	ELECTRONIC CARD WITH BUZZER	CARTE ELECTRONIQUE AVEC BUZZER	ELECTRONISCHE KARTE MIT BUZZER
<b>2</b>	FUSIBILE 6,3 Amp. T	FUSE 6.3 Amp. T	FUSIBLE 6,3 Amp. T	SICHERUNG 6,3 Amp. T
<b>3</b>	MOTORE	ENGINE	MOTEUR	MOTOR
<b>3a</b>	Generatore	Generator	Generateur	Generator
<b>3b</b>	Motorino avviamento	Starter	Demarreur	Anlasser
<b>3c</b>	Stop motore	Engine stop	Calage du moteur	Motor abstellung
<b>4</b>	BATTERIA	BATTERY	BATTERIE	BATTERIE
<b>5</b>	RELE AVVIAMENTO	STARTER RELAY	RELAIS DE DEMARRAGE	ANLASSER RELAIS
<b>6</b>	INTERRUTTORE A CHIAVE	ELECTROLOCK	INTERRUPTEUR D'ALLUMAGE	SCHLÜSSELSCHALTER
<b>7</b>	INTERRUTTORE FARI	HEADLIGHT SWITCH	INTERRUPTEUR PHARES	LICHTSCHALTER
<b>8</b>	FARI	HEADLIGHT	PHARES	LICHT
<b>9</b>	MICROINTERRUTTORE LAME	BLADES MICRO SWITCH	MICRO INTERRUPTEUR LAMES	MESSER MIKROSCHALTER
<b>10</b>	MICROINTERRUTTORE FRENO	BRAKE MICRO SWITCH	MICRO INTERRUPTEUR FREIN	BREMSE MIKROSCHALTER
<b>11</b>	MICROINTERRUTTORE SEDILE	SEAT MICRO SWITCH	MICRO INTERRUPTEUR SIEGE	SITZMIKROSCHALTER
<b>12</b>	MICROINTERRUTTORE SACCO	GRASSCATCHER MICRO SWITCH	MICRO INTERRUPTEUR BAC	GRASFANGEINRICHTUNG MIKROSCHALTER
<b>13</b>	MICROINTERRUTTORE CAMBIO	GERARBOX MICROSWITCH	MICRO INT. BOÎTE DE VITESSE	ANTRIEB MICROSWITCH
<b>14</b>	MICROINTERRUTTORE SACCO PIENO (dove previsto)	FULL GRASSCATCHER MICRO SWITCH (where fitted)	MICRO BAC PLEIN (si present)	VOLLKORB VORRICHTUNG (wenn vorgesehen)

**COLORI CAVI**

<b>BK</b>	NERO
<b>BL</b>	BLU
<b>BR</b>	MARRONE
<b>GY</b>	GRIGIO
<b>OR</b>	ARANCIONE
<b>RE</b>	ROSSO
<b>VI</b>	VIOLA
<b>YG</b>	GIALLO/VERDE
<b>WH</b>	BIANCO

**CABLE COLOURS**

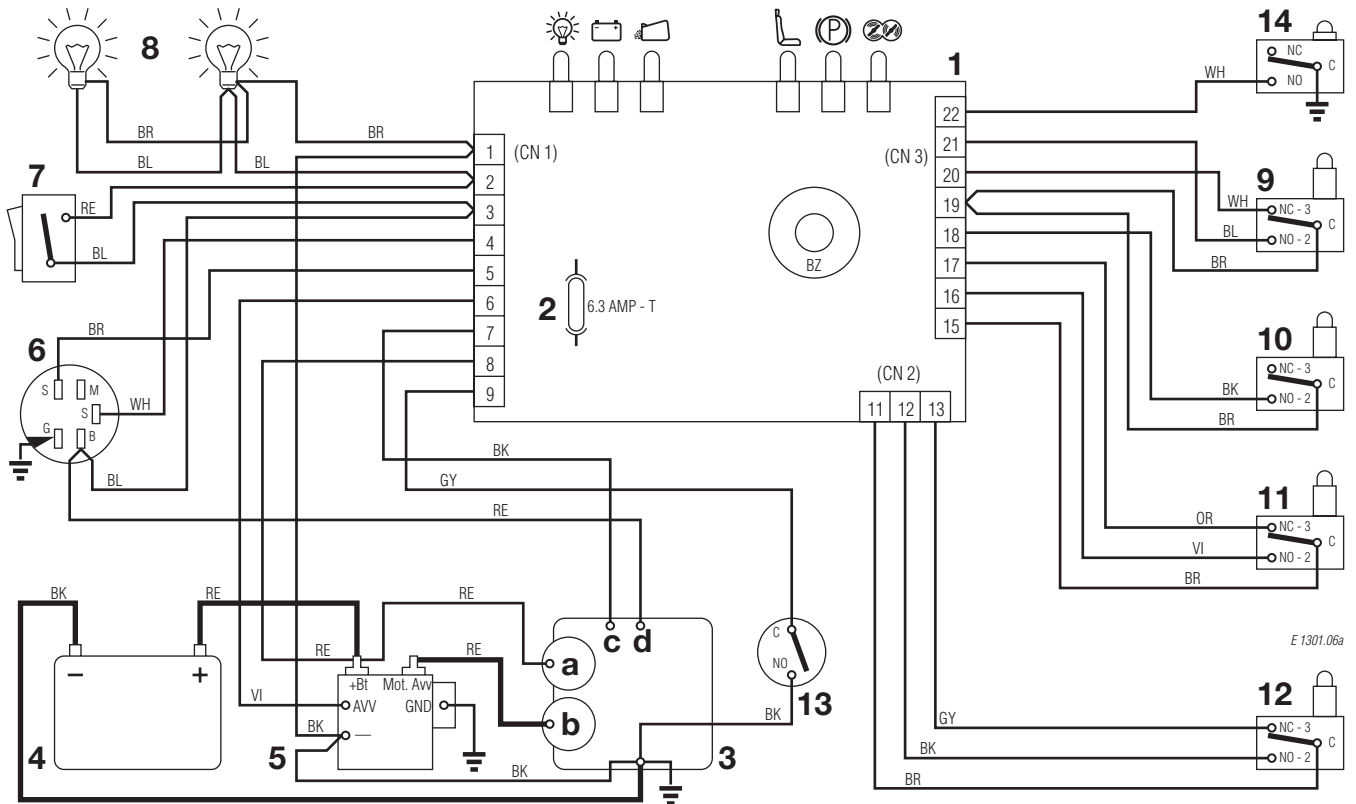
<b>BLACK</b>
<b>BLUE</b>
<b>BROWN</b>
<b>GREY</b>
<b>ORANGE</b>
<b>RED</b>
<b>VIOLET</b>
<b>YELLOW/GREEN</b>
<b>WHITE</b>

**COULEUR CABLES**

<b>NOIR</b>
<b>BLEU</b>
<b>BUN</b>
<b>GRIS</b>
<b>ORANGE</b>
<b>ROUGE</b>
<b>VIOLEY</b>
<b>JAUNE/VERT</b>
<b>BLANC</b>

**KABEL FARBEN**

<b>SCHWARZ</b>
<b>BLAU</b>
<b>BRAUN</b>
<b>GRAU</b>
<b>ORANGE</b>
<b>ROT</b>
<b>VIOLETT</b>
<b>GELB/GRÜN</b>
<b>WEISS</b>



E 1301.06a

<b>1</b>	SCHEDA CON BUZZER	ELECTRONIC CARD WITH BUZZER	CARTE ELECTRONIQUE AVEC BUZZER	ELECTRONISCHE KARTE MIT BUZZER
<b>2</b>	FUSIBILE 6,3 Amp. T	FUSE 6.3 Amp. T	FUSIBLE 6,3 Amp. T	SICHERUNG 6,3 Amp. T
<b>3</b>	MOTORE	ENGINE	MOTEUR	MOTOR
<b>3a</b>	Generatore	Generator	Generateur	Generator
<b>3b</b>	Motorino avviamento	Starter	Demarreur	Anlasser
<b>3c</b>	Stop motore	Engine stop	Calage du moteur	Motor abstellung
<b>3d</b>	Carburatore	Carburetor	Carbureteur	Vergaser
<b>4</b>	BATTERIA	BATTERY	BATTERIE	BATTERIE
<b>5</b>	RELE AVVIAMENTO	STARTER RELAY	RELAIS DE DEMARRAGE	ANLASSER RELAIS
<b>6</b>	INTERRUTTORE A CHIAVE	ELECTROLOCK	INTERRUPTEUR D'ALLUMAGE	SCHLÜSSELSCHALTER
<b>7</b>	INTERRUTTORE FARI	HEADLIGHT SWITCH	INTERRUPTEUR PHARES	LICHTSCHALTER
<b>8</b>	FARI	HEADLIGHT	PHARES	LICHT
<b>9</b>	MICROINTERRUTTORE LAME	BLADES MICRO SWITCH	MICRO INTERRUPTEUR LAMES	MESSER MIKROSCHALTER
<b>10</b>	MICROINTERRUTTORE FRENO	BRAKE MICRO SWITCH	MICRO INTERRUPTEUR FREIN	BREMSE MIKROSCHALTER
<b>11</b>	MICROINTERRUTTORE SEDILE	SEAT MICRO SWITCH	MICRO INTERRUPTEUR SIEGE	SITZMIKROSCHALTER
<b>12</b>	MICROINTERRUTTORE SACCO	GRASSCATCHER MICRO SWITCH	MICRO INTERRUPTEUR BAC	GRASFANGEINRICHTUNG MIKROSCHALTER
<b>13</b>	MICROINTERRUTTORE CAMBIO	GERARBOX MICROSWITCH	MICRO INT. BOÎTE DE VITESSE	ANTRIEB MICROSWITCHALTER
<b>14</b>	MICROINTERRUTTORE SACCO PIENO (dove previsto)	FULL GRASSCATCHER MICRO SWITCH (where fitted)	MICRO BAC PLEIN (si present)	VOLLKORB VORRICHTUNG (wenn vorgesehen)

**COLORI CAVI**

<b>BK</b>	NERO
<b>BL</b>	BLU
<b>BR</b>	MARRONE
<b>GY</b>	GRIGIO
<b>OR</b>	ARANCIONE
<b>RE</b>	ROSSO
<b>VI</b>	VIOLA
<b>YG</b>	GIALLO/VERDE
<b>WH</b>	BIANCO

**CABLE COLOURS**

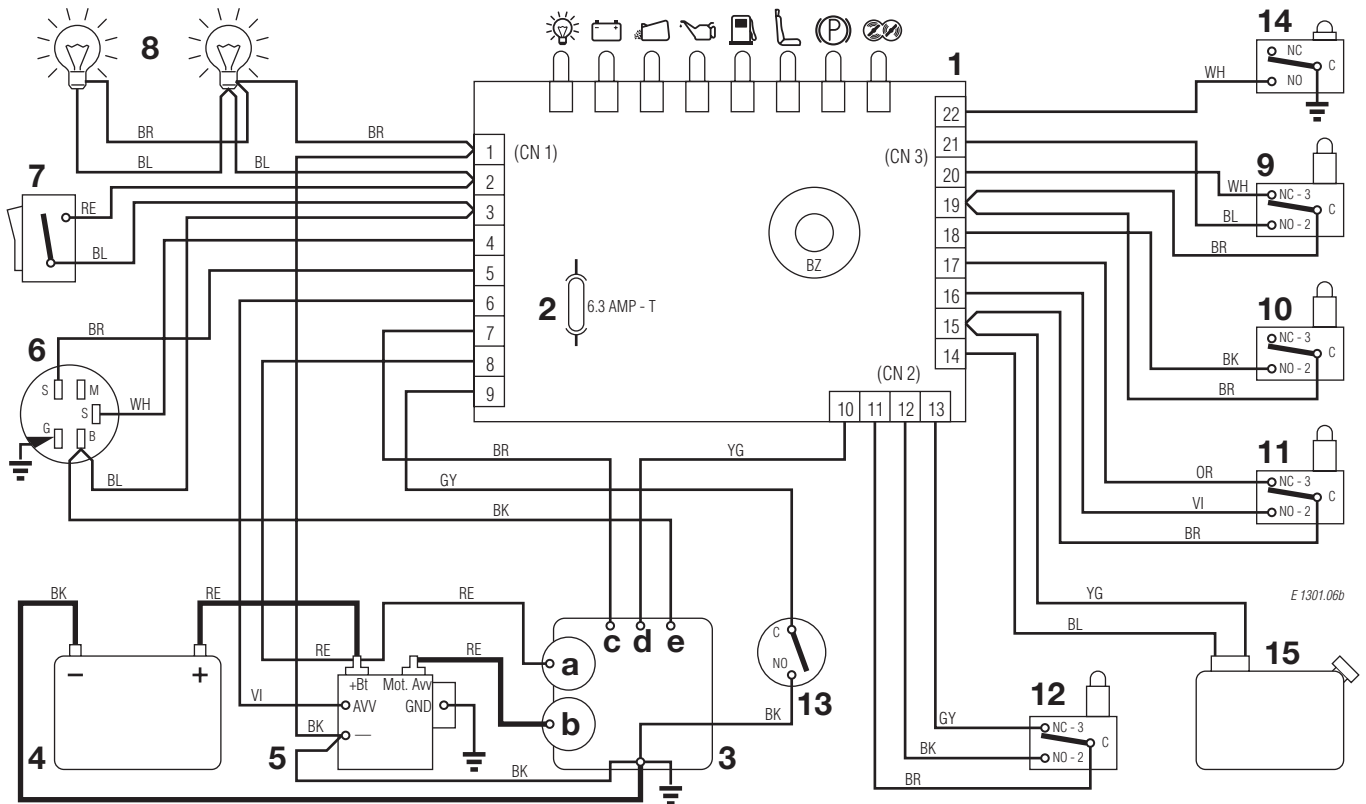
<b>BLACK</b>
<b>BLUE</b>
<b>BROWN</b>
<b>GREY</b>
<b>ORANGE</b>
<b>RED</b>
<b>VIOLET</b>
<b>YELLOW/GREEN</b>
<b>WHITE</b>

**COULEUR CABLES**

<b>NOIR</b>
<b>BLEU</b>
<b>BUN</b>
<b>GRIS</b>
<b>ORANGE</b>
<b>ROUGE</b>
<b>VIOLEY</b>
<b>JAUNE/VERT</b>
<b>BLANC</b>

**KABEL FARBEN**

<b>SCHWARZ</b>
<b>BLAU</b>
<b>BRAUN</b>
<b>GRAU</b>
<b>ORANGE</b>
<b>ROT</b>
<b>VIOLETT</b>
<b>GELB/GRÜN</b>
<b>WEISS</b>



- |           |  |  |                                   |   |
|-----------|--|--|-----------------------------------|---|
| <b>1</b>  | SCHEDA<br>CON BUZZER                             | ELECTRONIC CARD<br>WITH BUZZER                   | CARTE ELECTRONIQUE<br>AVEC BUZZER | ELECTRONISCHE KARTE<br>MIT BUZZER         |
| <b>2</b>  | FUSIBILE 6,3 Amp. T                              | FUSE 6,3 Amp. T                                  | FUSIBLE 6,3 Amp. T                | SICHERUNG 6,3 Amp. T                      |
| <b>3</b>  | MOTORE   | ENGINE   | MOTEUR                            | MOTOR                                     |
| <b>3a</b> | Generatore                                       | Generator  | Genérateur                        | Generator                                 |
| <b>3b</b> | Motorino avviamento                              | Starter  | Demarreur                         | Anlasser                                  |
| <b>3c</b> | Stop motore                                      | Engine stop                                      | Calage du moteur                  | Motor abstellung                          |
| <b>3d</b> | Olio   | Oil  | Huile                             | Öl  |
| <b>3e</b> | Carburatore                                      | Carburetor                                       | Carburateur                       | Vergaser                                  |
| <b>4</b>  | BATTERIA   | BATTERY  | BATTERIE                          | BATTERIE                                  |
| <b>5</b>  | RELE AVVIAMENTO                                  | STARTER RELAY                                    | RELAIS DE DEMARRAGE               | ANLASSER RELAIS                           |
| <b>6</b>  | INTERRUTTORE A CHIAVE                            | ELECTROLOCK                                      | INTERRUPTEUR D'ALLUMAGE           | SCHLÜSSELSCHALTER                         |
| <b>7</b>  | INTERRUTTORE FARI                                | HEADLIGHT SWITCH                                 | INTERRUPTEUR PHARES               | LICHTSCHALTER                             |
| <b>8</b>  | FARI   | HEADLIGHT  | PHARES                            | LICHT                                     |
| <b>9</b>  | MICROINTERRUTTORE LAME                           | BLADES MICRO SWITCH                              | MICRO INTERRUPTEUR LAMES          | MESSER MIKROSCHALTER                      |
| <b>10</b> | MICROINTERRUTTORE FRENO                          | BRAKE MICRO SWITCH                               | MICRO INTERRUPTEUR FREIN          | BREMSE MIKROSCHALTER                      |
| <b>11</b> | MICROINTERRUTTORE SEDILE                         | SEAT MICRO SWITCH                                | MICRO INTERRUPTEUR SIEGE          | SITZMIKROSCHALTER                         |
| <b>12</b> | MICROINTERRUTTORE SACCO                          | GRASSCATCHER MICRO SWITCH                        | MICRO INTERRUPTEUR BAC            | GRASFANGEINRICHTUNG<br>MIKROSCHALTER      |
| <b>13</b> | MICROINTERRUTTORE CAMBIO                         | GERARBOX MICROSWITCH                             | MICRO INT. BOÎTE DE VITESSE       | ANTRIEB MICROSWITCH                       |
| <b>14</b> | MICROINTERRUTTORE SACCO<br>PIENO (dove previsto) | FULL GRASSCATCHER MICRO<br>SWITCH (where fitted) | MICRO BAC PLEIN<br>(si present)   | VOLLKORB VORRICHTUNG<br>(wenn vorgesehen) |
| <b>15</b> | SERBATOIO  | TANK   | RESERVIOR                         | TANK                                      |

**COLORI CAVI**

- BK** NERO  
**BL** BLU  
**BR** MARRONE  
**GY** GRIGIO  
**OR** ARANCIONE  
**RE** ROSSO  
**VI** VIOLA  
**YG** GIALLO/VERDE  
**WH** BIANCO

**CABLE COLOURS**

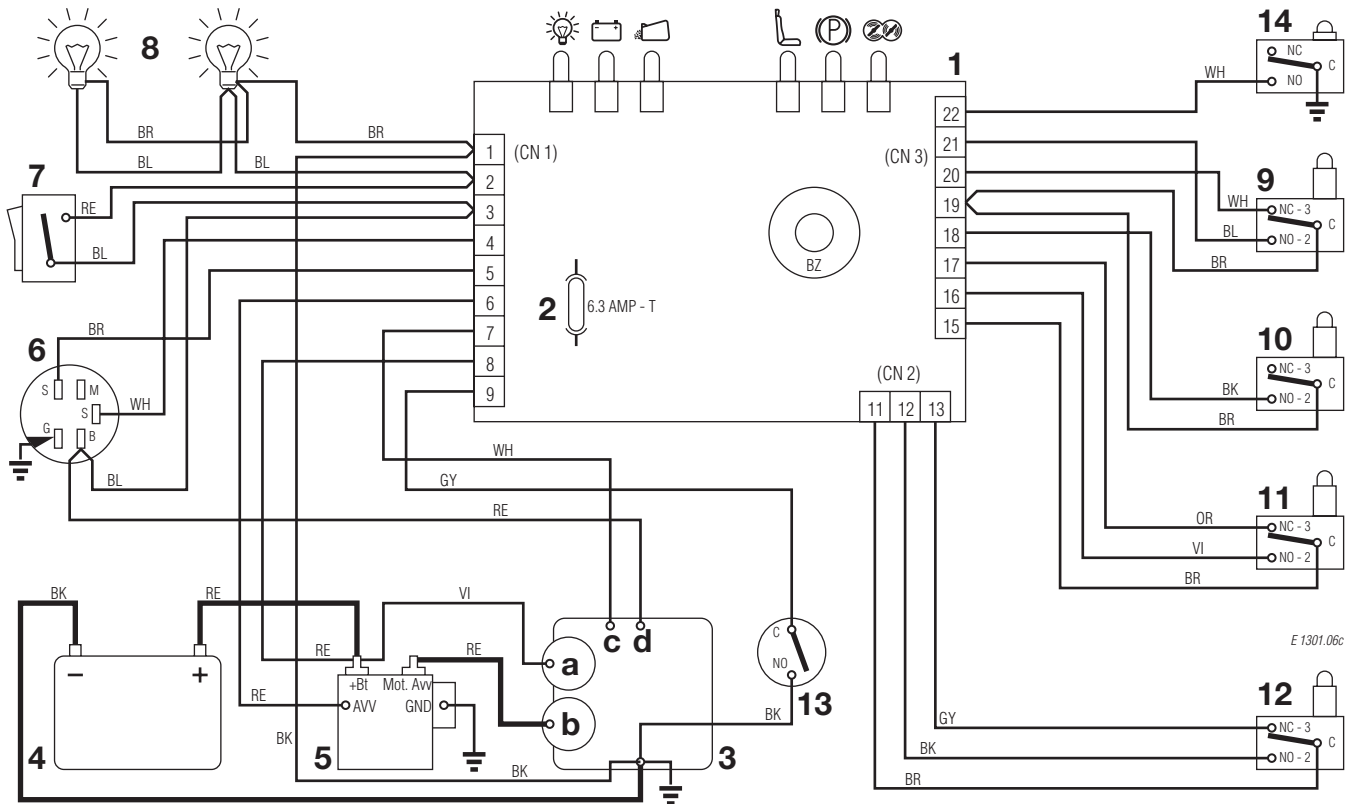
- BLACK  
 BLUE  
 BROWN  
 GREY  
 ORANGE  
 RED  
 VIOLET  
 YELLOW/GREEN  
 WHITE

**COULEUR CABLES**

- NOIR  
 BLEU  
 BUN  
 GRIS  
 ORANGE  
 ROUGE  
 VIOLEY  
 JAUNE/VERT  
 BLANC

**KABEL FARBEN**

- SCHWARZ  
 BLAU  
 BRAUN  
 GRAU  
 ORANGE  
 ROT  
 VIOLETT  
 GELB/GRÜN  
 WEISS



E 1301.06c

<b>1</b>	SCHEDA CON BUZZER	ELECTRONIC CARD WITH BUZZER	CARTE ELECTRONIQUE AVEC BUZZER	ELECTRONISCHE KARTE MIT BUZZER
<b>2</b>	FUSIBILE 6,3 Amp. T	FUSE 6.3 Amp. T	FUSIBLE 6,3 Amp. T	SICHERUNG 6,3 Amp. T
<b>3</b>	MOTORE	ENGINE	MOTEUR	MOTOR
<b>3a</b>	Generatore	Generator	Generateur	Generator
<b>3b</b>	Motorino avviamento	Starter	Demarreur	Anlasser
<b>3c</b>	Stop motore	Engine stop	Calage du moteur	Motor abstellung
<b>3d</b>	Carburatore	Carburetor	Carbureteur	Vergaser
<b>4</b>	BATTERIA	BATTERY	BATTERIE	BATTERIE
<b>5</b>	RELE AVVIAMENTO	STARTER RELAY	RELAIS DE DEMARRAGE	ANLASSER RELAIS
<b>6</b>	INTERRUTTORE A CHIAVE	ELECTROLOCK	INTERRUPTEUR D'ALLUMAGE	SCHLÜSSELSCHALTER
<b>7</b>	INTERRUTTORE FARI	HEADLIGHT SWITCH	INTERRUPTEUR PHARES	LICHTSCHALTER
<b>8</b>	FARI	HEADLIGHT	PHARES	LICHT
<b>9</b>	MICROINTERRUTTORE LAME	BLADES MICRO SWITCH	MICRO INTERRUPTEUR LAMES	MESSER MIKROSCHALTER
<b>10</b>	MICROINTERRUTTORE FRENO	BRAKE MICRO SWITCH	MICRO INTERRUPTEUR FREIN	BREMSE MIKROSCHALTER
<b>11</b>	MICROINTERRUTTORE SEDILE	SEAT MICRO SWITCH	MICRO INTERRUPTEUR SIEGE	SITZMIKROSCHALTER
<b>12</b>	MICROINTERRUTTORE SACCO	GRASSCATCHER MICRO SWITCH	MICRO INTERRUPTEUR BAC	GRASFANGEinRICHTUNG MIKROSCHALTER
<b>13</b>	MICROINTERRUTTORE CAMBIO	GERARBOX MICROSWITCH	MICRO INT. BOÎTE DE VITESSE	ANTRIEB MICROSWITCHALTER
<b>14</b>	MICROINTERRUTTORE SACCO PIENO (dove previsto)	FULL GRASSCATCHER MICRO SWITCH (where fitted)	MICRO BAC PLEIN (si present)	VOLLKORB VORRICHTUNG (wenn vorgesehen)

**COLORI CAVI**

<b>BK</b>	NERO
<b>BL</b>	BLU
<b>BR</b>	MARRONE
<b>GY</b>	GRIGIO
<b>OR</b>	ARANCIONE
<b>RE</b>	ROSSO
<b>VI</b>	VIOLA
<b>YG</b>	GIALLO/VERDE
<b>WH</b>	BIANCO

**CABLE COLOURS**

<b>BLACK</b>
<b>BLUE</b>
<b>BROWN</b>
<b>GREY</b>
<b>ORANGE</b>
<b>RED</b>
<b>VIOLET</b>
<b>YELLOW/GREEN</b>
<b>WHITE</b>

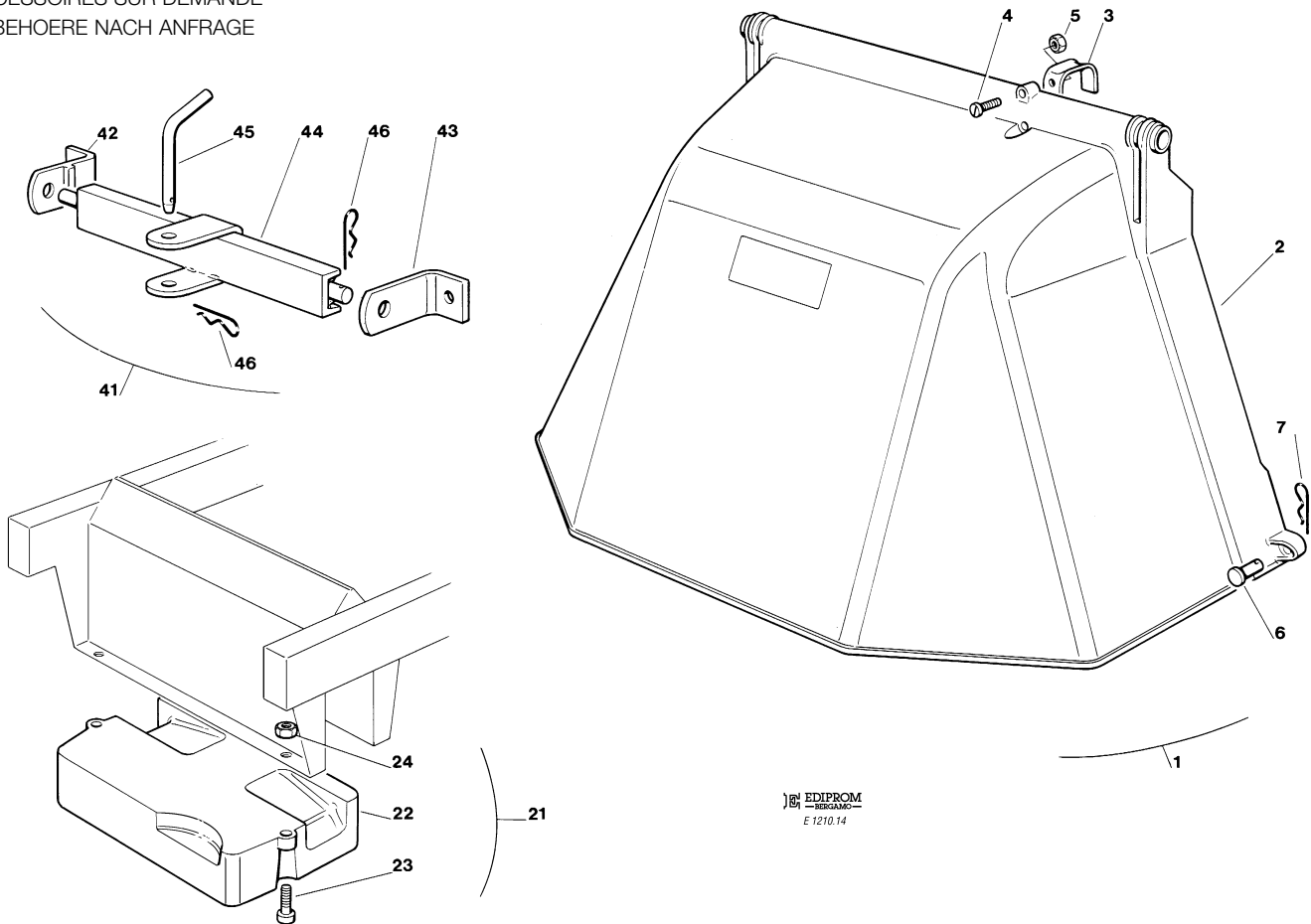
**COULEUR CABLES**

<b>NOIR</b>
<b>BLEU</b>
<b>BUN</b>
<b>GRIS</b>
<b>ORANGE</b>
<b>ROUGE</b>
<b>VIOLEY</b>
<b>JAUNE/VERT</b>
<b>BLANC</b>

**KABEL FARBEN**

<b>SCHWARZ</b>
<b>BLAU</b>
<b>BRAUN</b>
<b>GRAU</b>
<b>ORANGE</b>
<b>ROT</b>
<b>VIOLETT</b>
<b>GELB/GRÜN</b>
<b>WEISS</b>

ACCESSORI A RICHIESTA  
 OPTIONALS ON REQUEST  
 ACCESSOIRES SUR DEMANDE  
 ZUBEHOERE NACH ANFRAGE



Pos. Nr.	Codice Kodex Code	Descrizione	Description	Description	Beschreibung	Q.tà Q.ty Q.té Menge
1	99900010/0	ASS. KIT PROTEZIONE USCITA	EJECTION-GUARD ASS.Y	KIT PROTECTION SORTIE	VORRICHTUNG FÜR AUSWURESCHUTZ	1
2	82400001/1	PROTEZIONE USCITA	EJECTION GUARD	PROTECTION SORTIE	AUSWURFSCHUTZ	1
3	25430216/0	MOLLA	SPRING	RESSORT	FEDER	1
4	12769100/0	VITE	SCREW	VIS	SCHRAUBE	2
5	12150000/0	DADO	NUT	ECROU	MUTTER	1
6	25510022/0	PERNO	PIN	PIVOT	BOLZEN	2
7	24487998/0	COPPIGLIA	COTTER PIN	GOUPILLE	SPLIT	2
21	99900030/0	ASS. KIT PESO ANT.	FRONT WEIGHT KIT	KIT POIDS ANTERIEUR	VORDERGEWICHT VORRICHTUNG	1
22	25519999/0	PESO	WEIGHT	POIDS	GEWICHT	1
23	12760500/0	VITE	SCREW	VIS	SCHRAUBE	3
24	12155000/0	DADO	NUT	ECROU	MUTTER	3
41	99900000/0	ASS. KIT TRAINO	HITCH KIT	KIT DE TRAINAGE	ZUGVORRICHTUNG	1
42	82735502/0	STAFFA SUPPORTO TRAINO DX	BRACKET RIGHT HITCH SUPPORT	ETRIER SUPPORT TRAINAGE DROITE	BUEGEL HALTER FÜR RECHTEN ZUG	1
43	25774213/0	STAFFA SUPPORTO TRAINO SX	BRACKET LEFT HITCH SUPPORT	ETRIER SUPPORT TRAINAGE GAUCHE	BUEGELHALTER FÜR LINKEN ZUG	1
44	82033101/0	BARRA	ROD	BARRE	STANGE	1
45	25510021/0	PERNO	PIN	PIVOT	BOLZEN	1
46	24487999/0	COPPIGLIA	COTTER PIN	GOUPILLE	SPLIT	2