

CASTELGARDEN

Green Passion

Illustrated Parts List

XG 175 HD - Model Year 2010

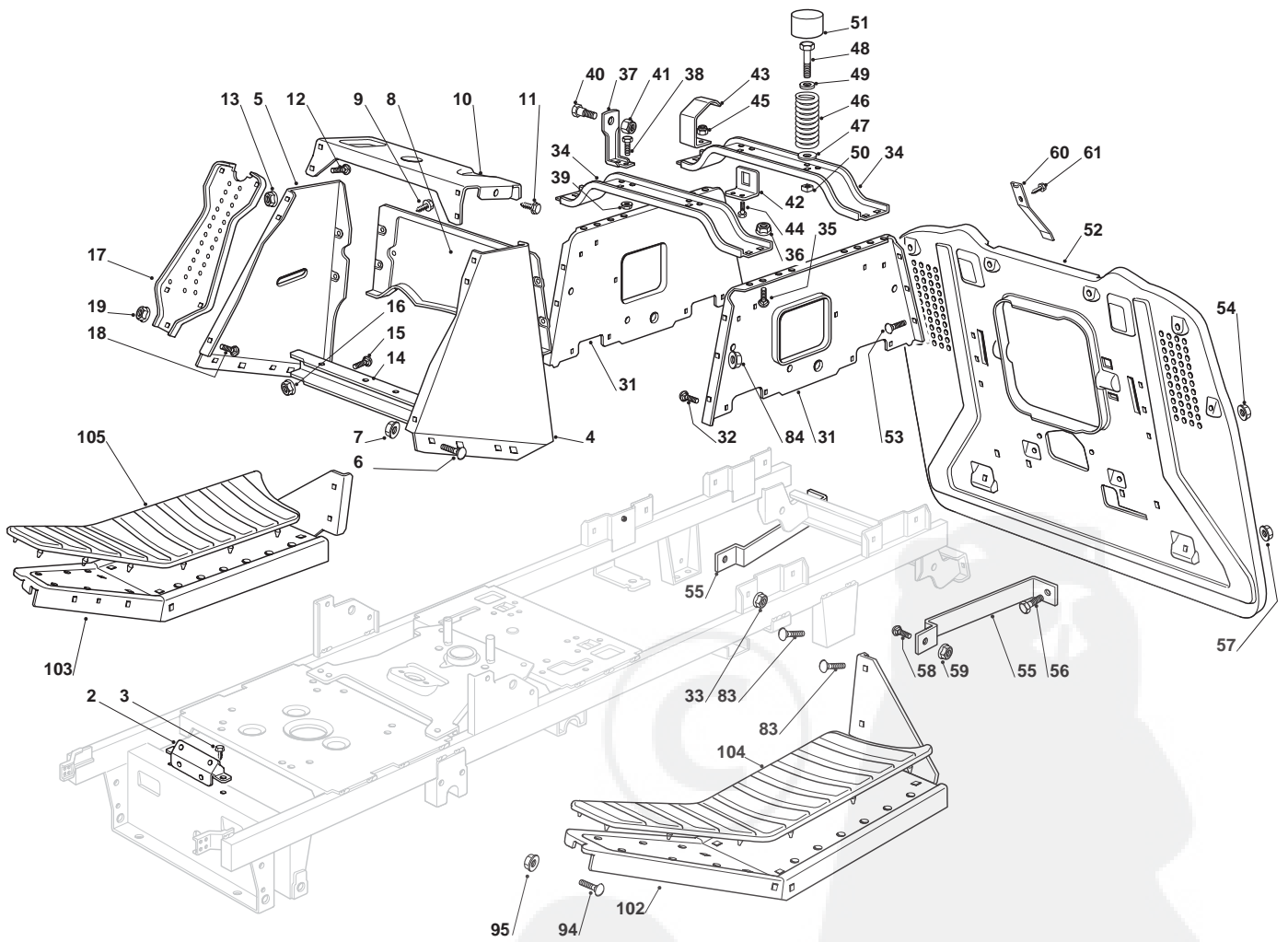
- Use GLOBAL GARDEN PRODUCT Genuine Spare Parts specified in the parts list for repair and/or replacement.
- The contents described in the parts list may change due to improvement.
- The drawings of the spare parts are only indicative and might not represent the part in question exactly.
- The indications "right" - "left" - "front" - "rear" refer to the position of the operator when using the machine.
- When placing orders of parts for repair and/or replacement, make sure that the illustrated parts list is the one applying to the machine's year of manufacture, as shown on the identification plate attached to the machine.

COPYRIGHT by GLOBAL GARDEN PRODUCTS

All rights reserved. No part of this material may be reproduced or transmitted, in any form or by any means, electronic or mechanical, including photocopying, recording or by any information storage and retrieval system, without permission in writing from GLOBAL GARDEN PRODUCTS.



Chassis

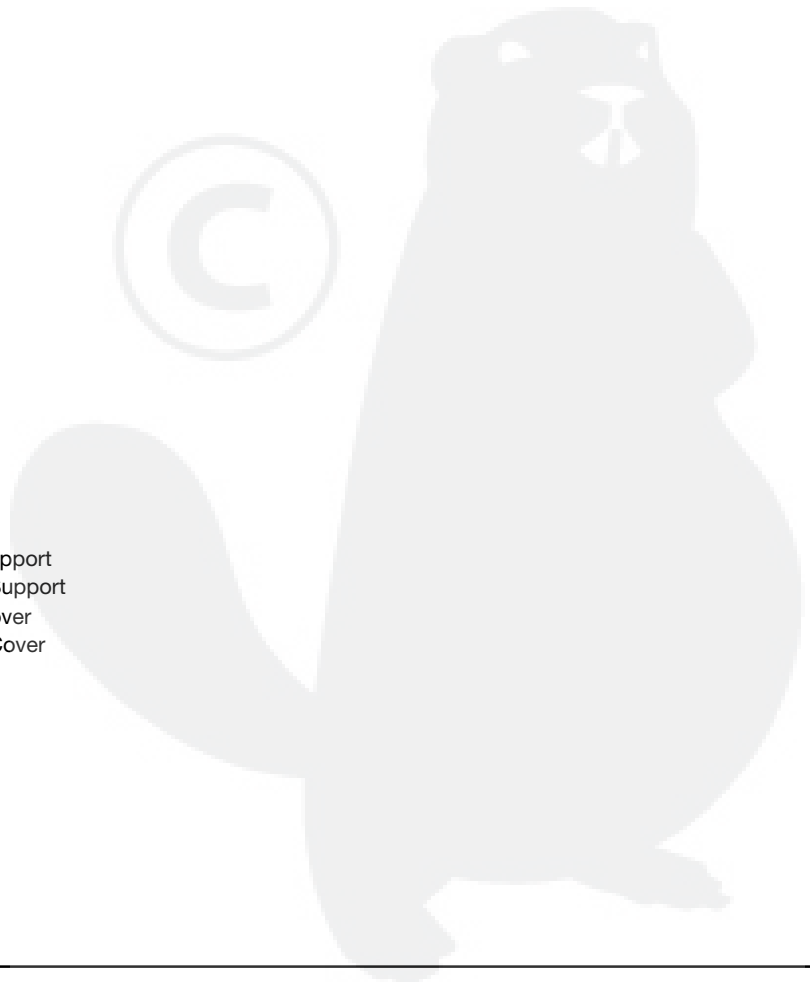
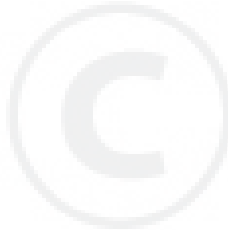




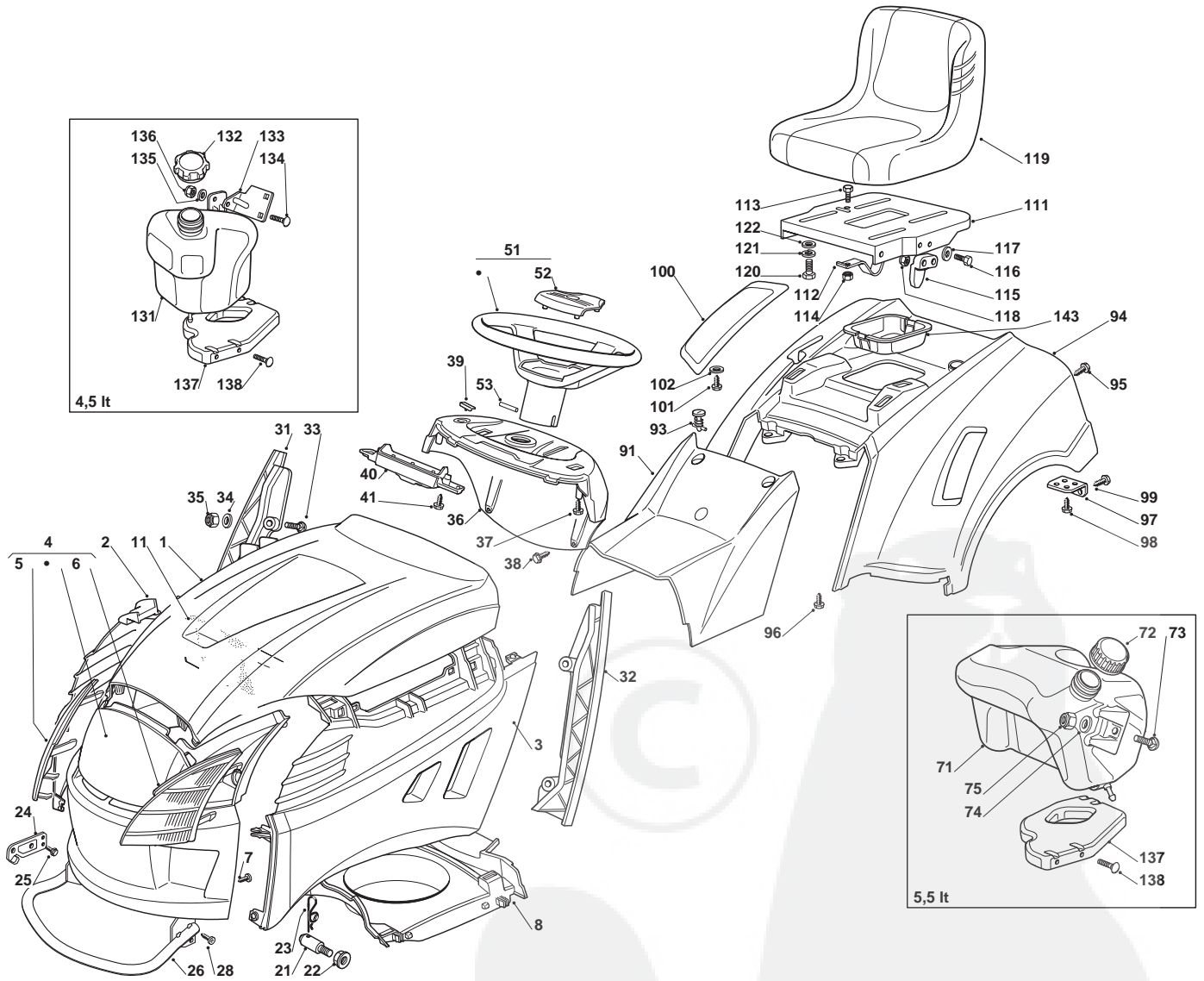
XG 175 HD - Model Year 2010

Chassis

Pos.	Part no.	Q.ty	Description	Remarks
2	82774253/0	1	Clamp	
3	12735121/0	4	Screw	
4	325785243/1	1	Left Dashboard Supp.	
5	25785245/0	1	Right Dashboard Supp.	
6	12818690/0	4	Screw	
7	12293201/0	4	Nut	
8	382785151/1	1	Rear Dashboard Supp	
9	12735110/0	4	Screw	
10	25785255/0	1	Central Dashboard Supp	
11	12735110/0	2	Screw	
12	12815200/0	4	Screw	
13	12292102/0	4	Nut	
14	25785241/0	1	Support	
15	12815200/0	2	Screw	
16	12292102/0	2	Nut	
17	382785153/1	2	Front Dashboard Supp	
18	12815200/0	2	Screw	
19	12292102/0	2	Nut	
31	25785249/0	2	Seat Support	
32	12815200/0	8	Screw	
33	12292102/0	8	Nut	
34	325785257/1	2	Seat Support	
35	12818690/0	8	Screw	
36	12293201/0	8	Nut	
37	25755039/0	2	Bracket	
38	12792611/0	4	Screw	
39	12293201/0	4	Nut	
40	22524970/2	2	Pin	
41	12155010/0	2	Nut	
42	25755043/0	1	Bracket	
43	25430253/0	1	Spring	
44	12789000/0	2	Screw	
45	12154330/0	2	Nut	
46	25430257/0	2	Spring	
47	12523070/0	2	Washer	
48	12760515/0	2	Screw	
49	22671653/0	2	Washer	
50	12360425/0	2	Nut	
51	25122000/2	2	Hood	
52	82547041/0	1	Plate	
53	12792611/0	6	Screw	
54	12293201/0	6	Nut	
55	25650119/0	2	Plate Stiffening	
56	12792611/0	2	Screw	
57	12293201/0	2	Nut	
58	12818690/0	2	Screw	
59	12293201/0	2	Nut	
60	27430554/0	1	Spring	
61	12735110/0	1	Screw	
83	12792611/0	4	Screw	
84	12293201/0	4	Nut	
94	12815200/0	4	Screw	
95	12292102/0	4	Nut	
102	382510083/0	1	Left Footboard Support	
103	382510081/0	1	Right Footboard Support	
104	25110327/0	1	Left Footboard Cover	
105	25110326/0	1	Right Footboard Cover	



Body



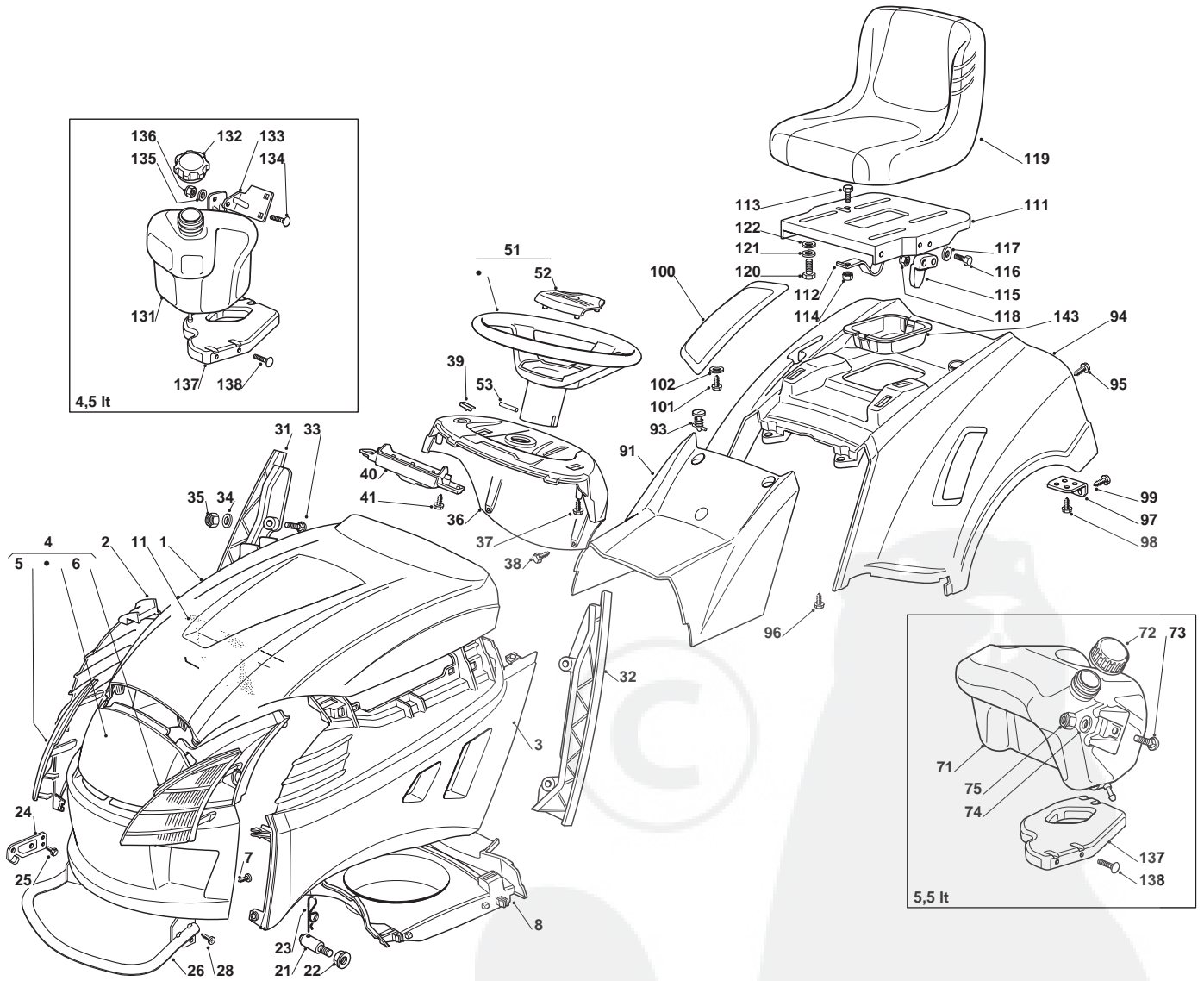


XG 175 HD - Model Year 2010

Body

Pos.	Part no.	Q.ty	Description	Remarks
1	25076858/0	1	Upper Engine Hood	
2	325207120/1	1	Hood, Right	
3	325207121/1	1	Hood, Left	
4	82394607/0	1	Hood, Front	
5	25410874/0	1	Right Grill	
6	25410875/0	1	Left Grill	
7	12735405/0	6	Screw	
8	25108025/0	1	Conveyor	
11	125730018/0	1	Intake Separator	
11	25730016/0	1	Intake Separator	
21	25510068/0	2	Pin	
22	12293201/0	2	Nut	
23	24487998/0	1	Cotter Pin	
24	25547109/1	2	Plate	
25	12731580/0	4	Screw	
26	382869029/1	1	Muffler Protection	
28	12734995/0	4	Screw	
31	25599012/0	1	Right Dashboard Supp.	
32	25599013/0	1	Left Dashboard Supp.	
33	12815221/0	4	Screw	
34	12521330/0	4	Washer	
35	12154510/0	4	Nut	
36	325120188/2	1	Dashboard	
36	325120191/2	1	Dashboard	
37	12728440/0	2	Screw	
38	12735402/0	2	Screw	
39	25260000/0	2	Grommet	
40	25600074/0	1	Card Protection	
41	12735402/0	2	Screw	
51	25961212/0	1	Steering Wheel	
52	325580500/0	1	Cap	
53	12620299/0	1	Pin	
61	182000212/0	1	Accelerator	
61	82000200/1	1	Accelerator	
62	12788512/0	2	Screw	
63	12581200/0	2	Grower	
64	25394501/0	1	Handle	
65	12726388/0	1	Screw	
66	12290800/0	1	Nut	
71	325735128/0	1	Tank	
72	25795001/1	1	Cap	
73	12815210/0	2	Screw	
74	325160039/0	2	Spacer	
75	12154510/0	2	Nut	
91	325110363/0	1	Cover, Red	
92	25207172/0	1	Plate (Mech.)	
93	25580020/0	2	Pivot	
94	25110322/0	1	Wheels Cover, Red	
95	12735402/0	4	Screw	
96	12735402/0	2	Screw	
97	25755041/0	2	Bracket	
98	12728686/0	4	Screw	
99	12735110/0	2	Screw	
100	25207171/0	1	Cover (Hydro)	
101	12735402/0	2	Screw	
102	12523050/0	4	Washer	
111	25547033/1	1	Plate	
112	25430223/2	1	Spring	
113	12789000/0	1	Screw	
114	12154330/0	1	Nut	
115	27063021/1	1	Cam	
116	12789100/0	2	Screw	
117	12523020/0	2	Washer	
118	12154330/0	2	Nut	
119	25722463/0	1	Seat	
120	12793101/0	4	Screw	
121	12583500/0	4	Grower	

Body

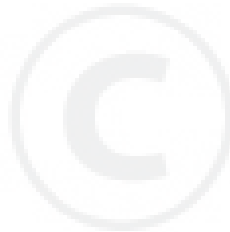




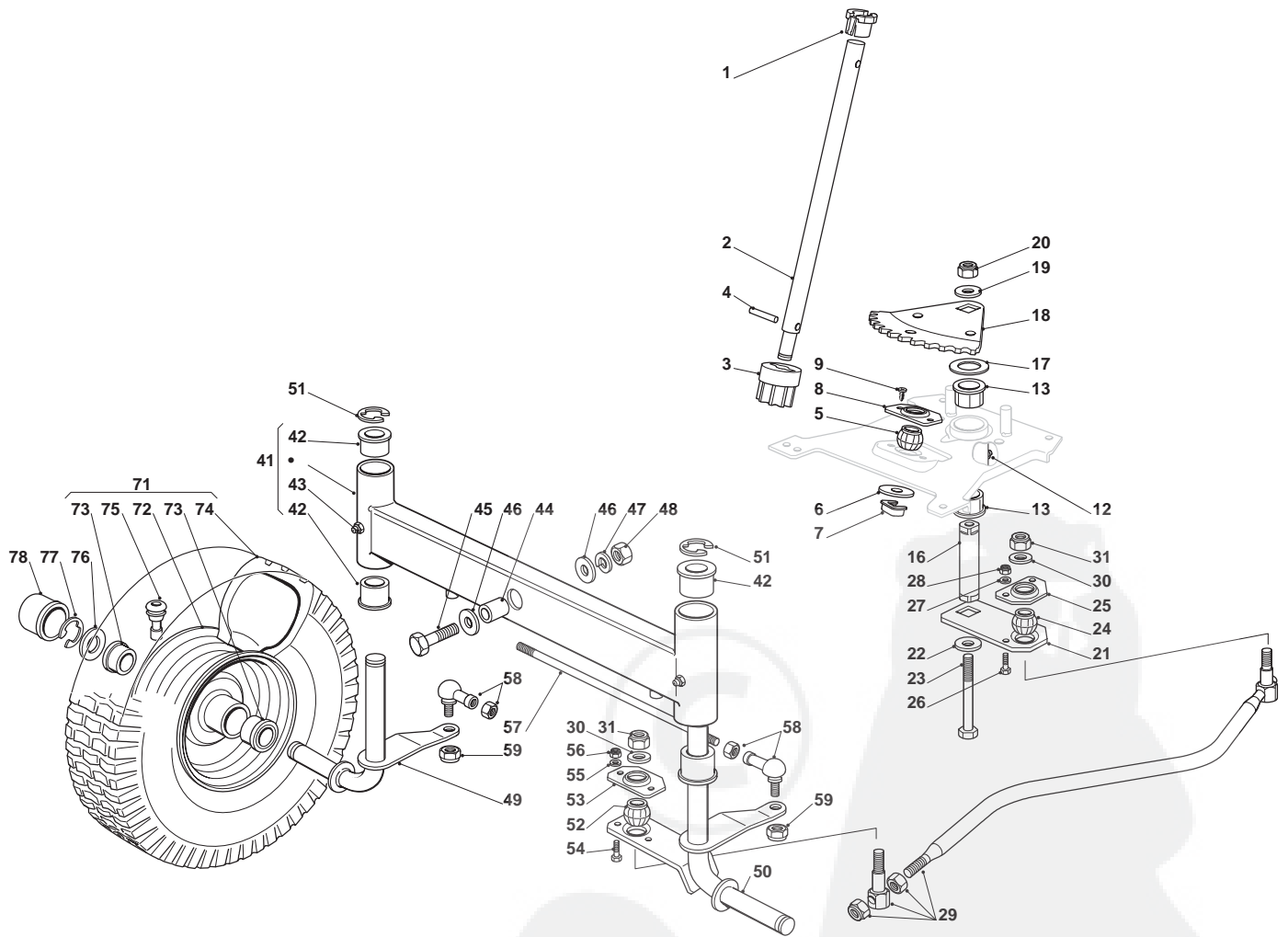
XG 175 HD - Model Year 2010

Body

Pos.	Part no.	Q.ty	Description	Remarks
122	12523060/0	4	Washer	
131	325735124/0	1	Tank	
132	25795001/1	1	Cap	
133	325785291/0	1	Support	
134	12789195/0	1	Screw	
135	12581500/0	1	Grower	
136	12437503/0	1	Nut	
137	325785289/0	1	Support	
138	12735403/0	4	Screw	
143	325207176/0	1	Cover	



Steering





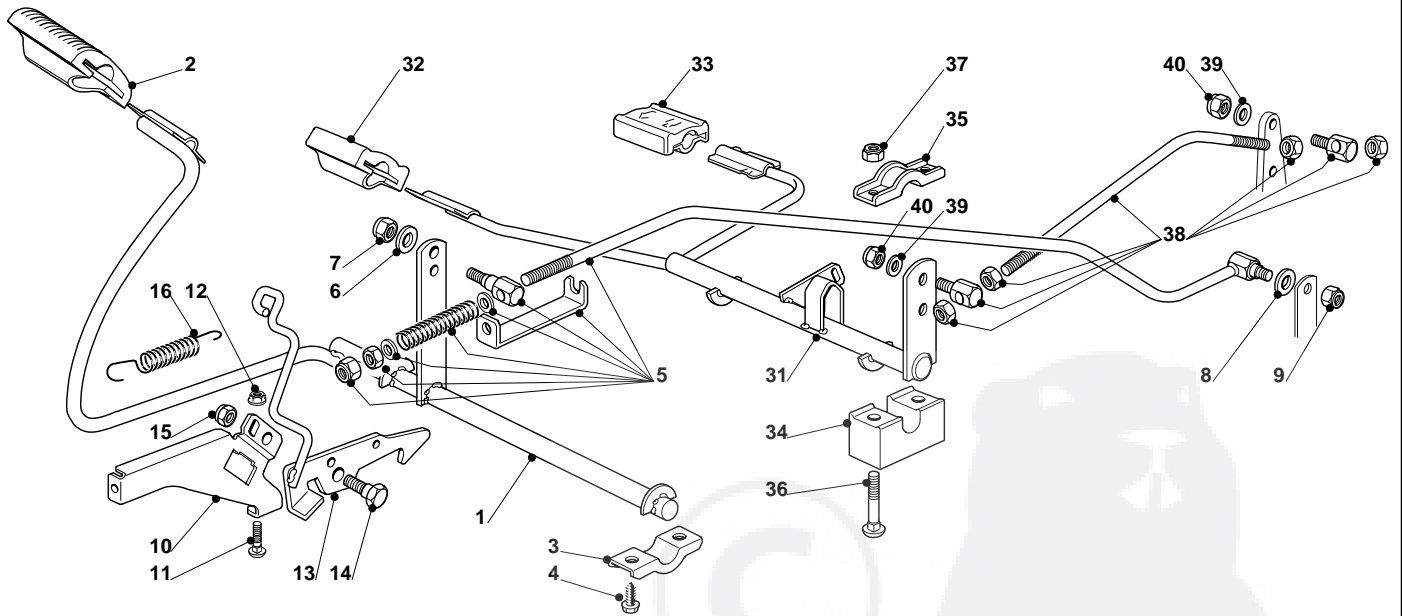
XG 175 HD - Model Year 2010

Steering

Pos.	Part no.	Q.ty	Description	Remarks
1	25038004/0	1	Bush	
2	125520006/1	1	Steering Column	
3	27570050/0	1	Pinion	
4	12622650/0	1	Pin	
5	25743000/0	1	Joint	
6	12521370/0	1	Washer	
7	12436030/0	1	Plate	
8	25785213/0	1	Support	
9	12729601/1	2	Screw	
12	12379511/0	1	Grease Dispenser	
13	25040624/0	2	Bush	
16	25510092/0	1	Pin	
17	25670019/0	1	Washer	
18	25735513/0	1	Steering Shaft	
19	12523080/0	1	Washer	
20	12155020/0	1	Nut	
21	25318205/0	1	Lever	
22	12523080/0	1	Washer	
23	12794985/0	1	Screw (Mod. 122)	
24	25743000/0	1	Joint	
25	25785213/0	1	Support	
26	12791213/1	2	Screw	
27	12521330/0	2	Washer	
28	12154510/0	2	Nut	
29	382000539/1	1	Steering Rod	
30	12523070/0	2	Washer	
31	12155010/0	2	Nut	
41	382034024/1	1	Equalizer With Bush And Lubricator	
42	25034002/1	4	Brass	
43	12379511/0	2	Grease Dispenser	
44	25160016/0	1	Spacer	
45	12692695/0	1	Screw	
46	12523100/0	2	Washer	
47	12587100/0	1	Grower	
48	12295300/0	1	Nut	
49	82230363/0	1	Right Stub Axle	
50	82230365/0	1	Left Stub Axle	
51	12001000/0	2	Snap Ring	
52	25743000/0	1	Joint	
53	25785213/0	1	Support	
54	12791213/1	2	Screw	
55	12521330/0	2	Washer	
56	12154510/0	2	Nut	
57	125840023/0	1	Tie Rod	
58	22746600/0	2	Joint	
59	12156602/0	2	Nut	
71	82680008/1	2	Front Wheel Deli Tire	
72	82000590/1	2	Rimm	
73	25122200/2	4	Bearing	
74	27590053/0	2	Shoe Deli Tire	
75	25950000/0	2	Valve	
76	25670005/1	2	Washer	
77	12001000/0	2	Snap Ring	
78	22110230/0	2	Cap	
79	82110252/0	2	Hub Cover	
80	82110274/0	2	Hub Cover	



Brake And Gearbox Controls

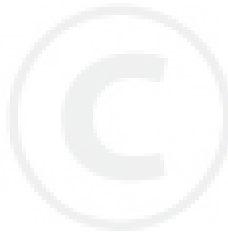


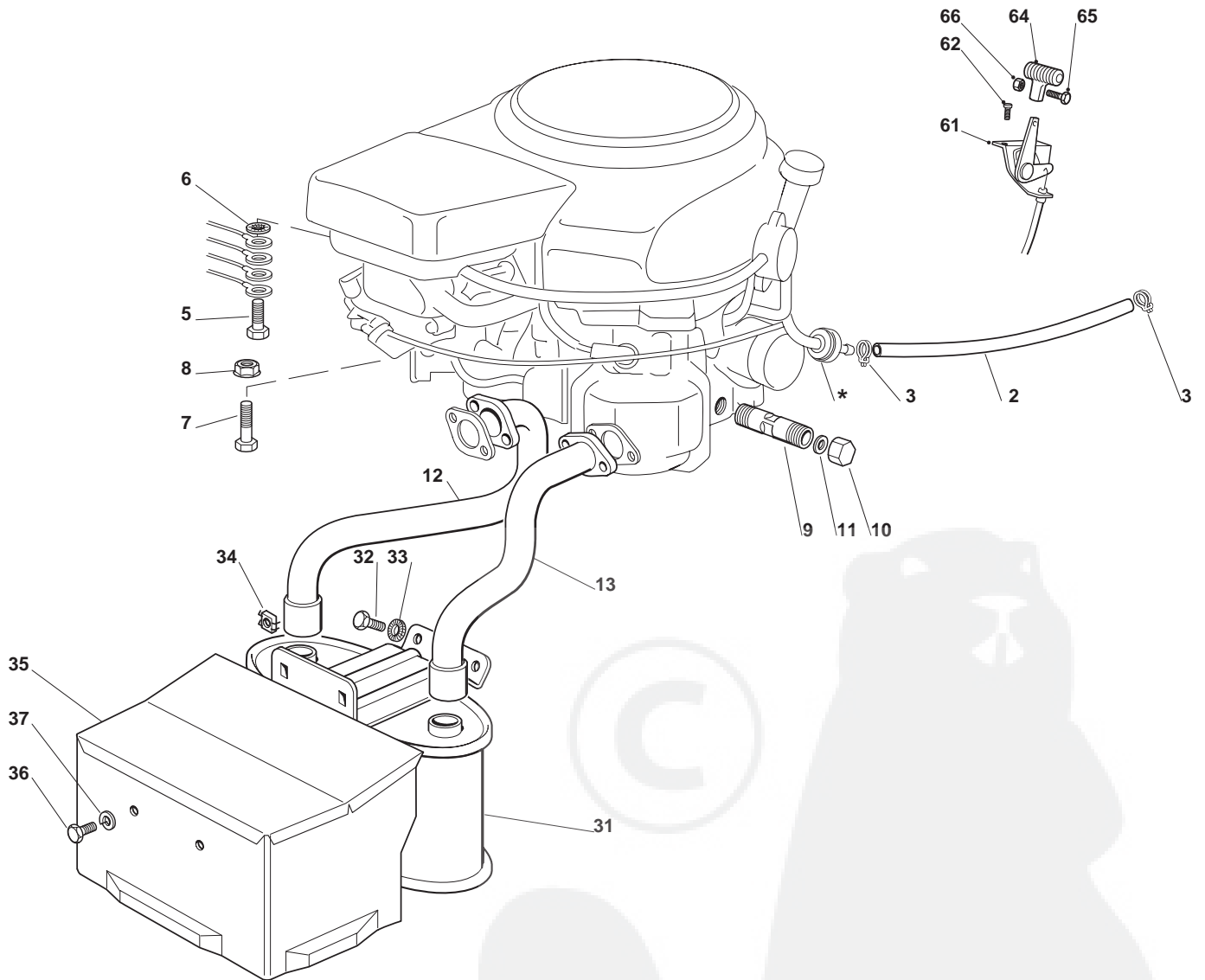


XG 175 HD - Model Year 2010

Brake And Gearbox Controls

Pos.	Part no.	Q.ty	Description	Remarks
1	82500029/1	1	Pedal	
2	25110267/0	1	Clamp Cover	
3	27546015/1	2	Plate	
4	12729601/1	4	Screw	
5	82000542/0	1	Rod	
6	12521350/0	1	Washer	
7	12155000/0	1	Nut	
8	12521350/0	1	Washer	
9	12155000/0	1	Nut	
10	25785261/0	1	Support	
11	12815200/0	2	Screw	
12	12292102/0	2	Nut	
13	82000531/0	1	Rod	
14	22524970/2	1	Pin	
15	12155000/0	1	Nut	
16	25430213/0	1	Spring	
31	382000383/1	1		
32	25110274/0	1	Clamp Cover Front	
33	25110331/0	1	Clamp Cover Rear	
34	25785185/0	2	Support	
35	27546015/1	2	Plate	
36	12815245/0	4	Screw	
37	12154510/0	4	Nut	
38	82000543/0	1	Rod	
39	12523040/0	2	Washer	
40	12154510/0	2	Nut	





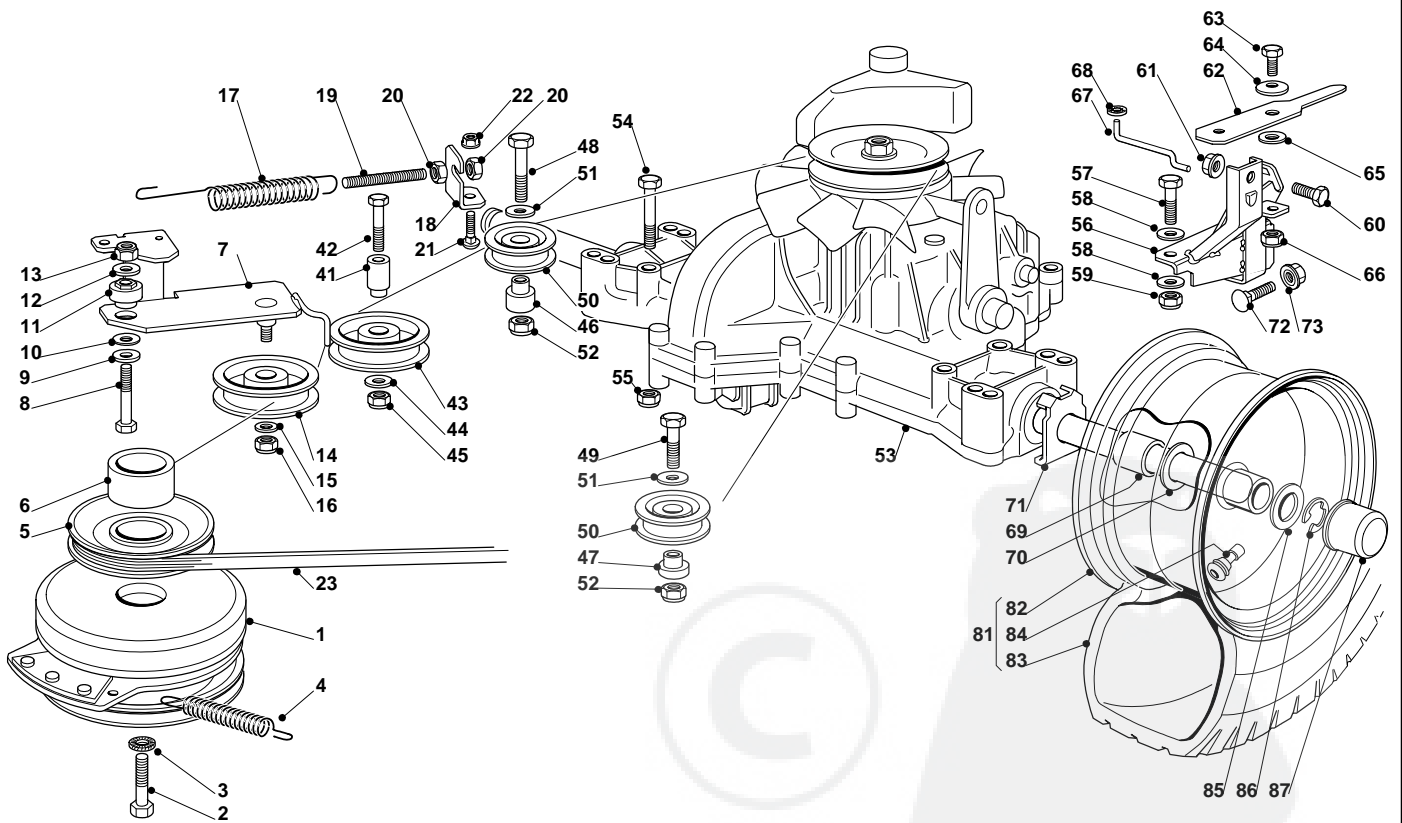


XG 175 HD - Model Year 2010

Engine Honda GCV 530

Pos.	Part no.	Q.ty	Description	Remarks
1	—	1	Engine	
2	25869057/0	1	Connecting Tube (1000 Mm)	
3	18375051/1	2	Fair Led	
5	12735599/0	1	Screw	
6	12540260/0	1	Washer	
7	12691115/0	4	Screw	
8	12154210/0	4	Nut	
9	25598052/0	1	Oil Discharge Extension	
10	18737849/0	1	Oil Cap	
11	18401001/1	1	Oil Seal	
12	18738221/0	1	Exhaust Tube Right	
13	18738222/0	1	Exhaust Tube Left	
31	82750003/0	1	Muffler	
32	12793102/0	2	Screw	
33	12540260/0	2	Washer	
34	12360425/0	2	Nut	
35	82598005/2	1	Guard	
36	12792611/0	2	Screw	
37	12583500/0	2	Grower	
61	82000200/1	1	Accelerator	
62	125943012/0	2	Screw	
64	25394501/0	1	Handle	
65	12726388/0	1	Screw	
66	12290800/0	1	Nut	
-	*	1	Engine	Honda Gx 35







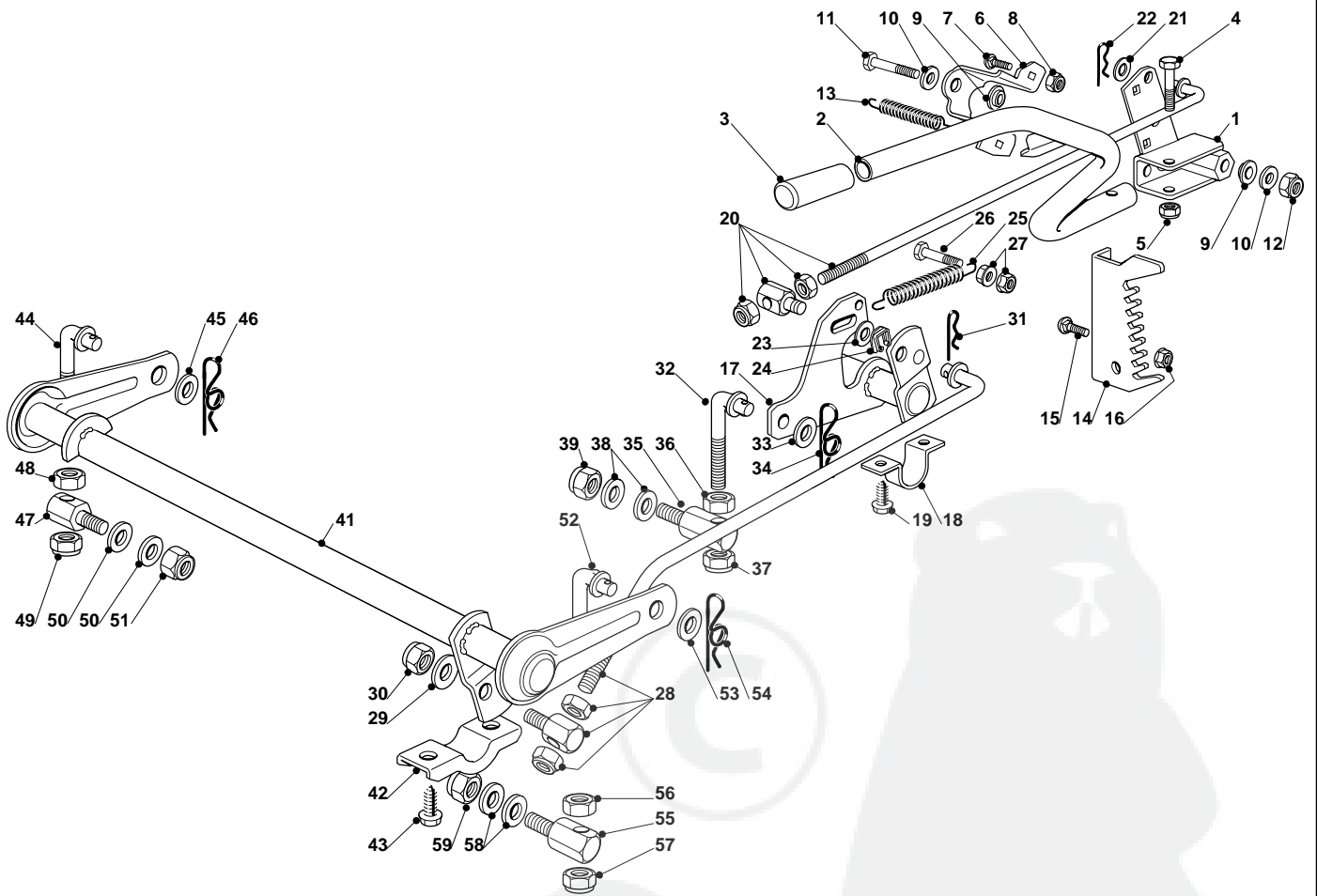
XG 175 HD - Model Year 2010

Transmission

Pos.	Part no.	Q.ty	Description	Remarks
1	118399063/0	1	Clutch	
2	12737320/0	1	Screw	
3	12543000/0	1	Washer	
4	22430216/0	1	Spring	
5	25601566/0	1	Pulley	
6	25160021/0	1	Spacer	
7	82318217/0	1	Lever	
8	12691115/0	1	Screw	
9	12523060/0	1	Washer	
10	27670055/0	1	Washer	
11	25510087/0	1	Pin	
12	12523060/0	1	Washer	
13	12155000/0	1	Nut	
14	25601554/0	1	Pulley	
15	12523060/0	1	Washer	
16	12155000/0	1	Nut	
17	25430260/0	1	Spring	
18	25755049/0	1	Bracket	
19	25840005/0	1	Tie Rod	
20	12293200/0	2	Nut	
21	12818690/0	1	Screw	
22	12293201/0	1	Nut	
23	35062001/0	1	Belt	
41	125510100/0	1	Pin	
42	12691800/0	1	Screw	
43	25601555/0	1	Pulley	
44	12523060/0	1	Washer	
45	12155000/0	1	Nut	
46	125160024/2	1	Spacer	
47	125160030/1	1	Spacer	
48	12691400/0	1	Right Screw	
49	12691115/0	1	Screw	
50	125601588/0	2	Pulley	
51	22671653/0	2	Washer	
52	12155000/0	2	Nut	
53	18400960/0	1	Rear Axle Tuff Torq K46S	
54	12691800/0	4	Screw	
55	12154210/0	4	Nut	
56	82785149/0	1	Support	
57	12691200/0	1	Screw (Wheels 15")	
58	12521350/0	2	Washer	
59	12155000/0	1	Nut	
60	12792611/0	1	Screw	
61	12293201/0	1	Nut	
62	25318157/0	1	Lever	
63	12793102/0	1	Screw	
64	12369500/0	1	Washer	
65	25670011/0	1	Washer	
66	12155000/0	1	Nut	
67	25033033/0	1	Rod	
68	12604896/0	1	Snap Ring	
69	25160031/0	2	Spacer	
70	12521410/0	24	Washer	
71	325670025/0	2	Washer	
72	12792611/0	1	Screw	
73	12293201/0	1	Nut	
81	82680006/0	2	Rear Wheel Deli Tire	
82	82000592/0	2	Rimm	
83	25590003/0	2	Tire Deli Tire	
84	25950000/0	2	Valve	
85	25670005/1	2	Washer	
86	12001010/0	2	Snap Ring	
87	22110230/0	2	Cap	



Cutting Plate Lifting



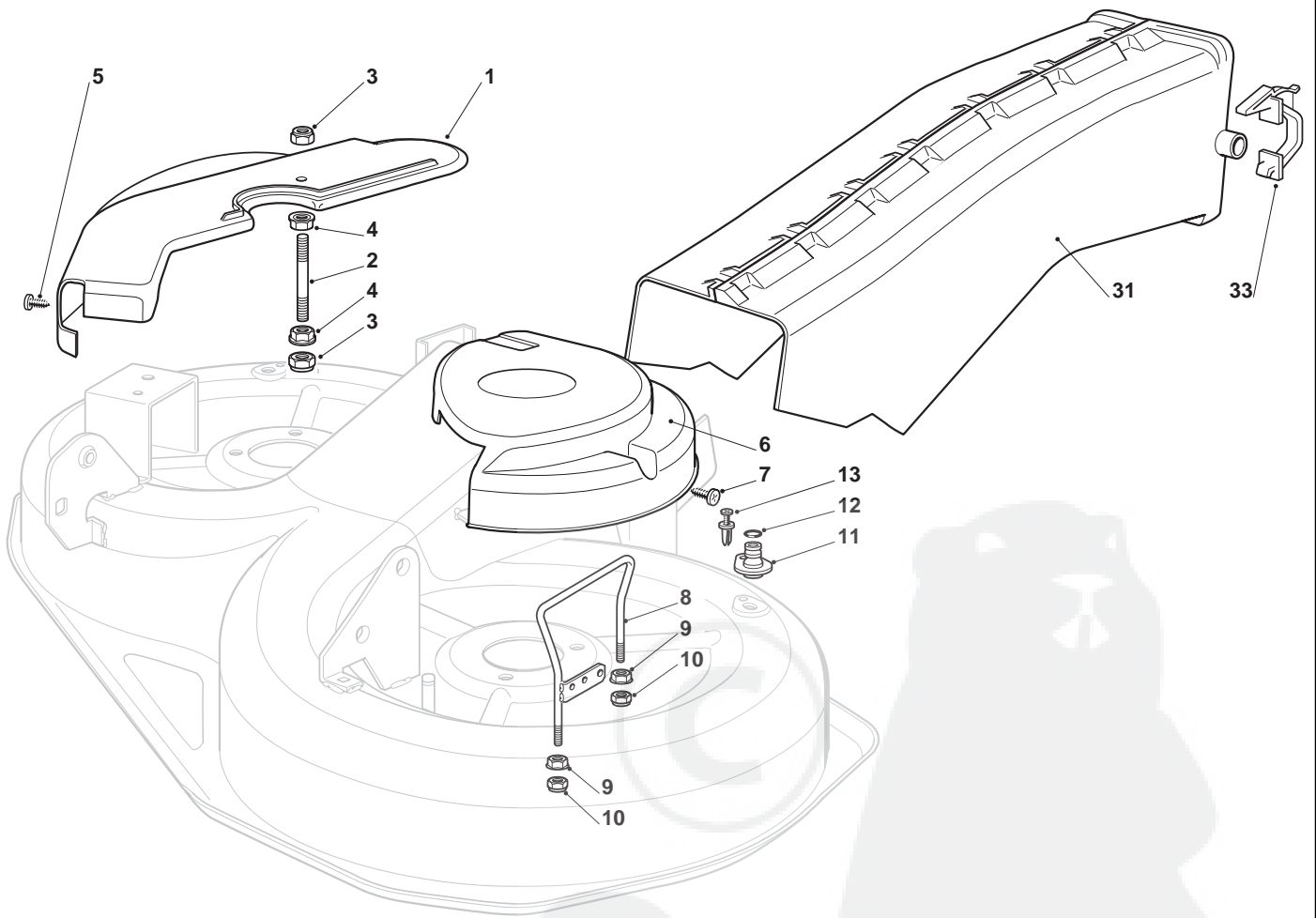


XG 175 HD - Model Year 2010

Cutting Plate Lifting

Pos.	Part no.	Q.ty	Description	Remarks
1	82774249/0	1	Clamp	
2	82318219/0	1	Lever	
3	25394508/0	1	Handle	
4	12674700/0	1	Screw	
5	12154510/0	1	Nut	
6	25650113/0	1	Plate	
7	12818690/0	2	Screw	
8	12155000/0	2	Nut	
9	22041980/0	2	Spacer	
10	12523060/0	2	Washer	
11	12691600/0	1	Screw	
12	12155000/0	1	Nut	
13	25430259/0	1	Spring	
14	25735511/0	1	Sector	
15	12818690/0	2	Screw	
16	12293201/0	2	Nut	
17	82000387/0	1	Axle	
18	25547041/0	2	Plate	
19	12731601/0	4	Screw	
20	82000536/0	1	Rod	
21	25670011/0	1	Washer	
22	24487998/0	1	Cotter Pin	
23	25670008/1	1	Washer	
24	12436050/0	1	Plate	
25	22446402/0	1	Spring	
26	12792410/0	1	Screw	
27	12292102/0	2	Nut	
28	82000537/0	1	Connecting Rod	
29	25670008/1	2	Washer	
30	12156602/0	1	Nut	
31	24487998/0	1	Cotter Pin	
32	25840025/0	1	Tie Rod	
33	25670008/1	1	Washer	
34	24487998/0	1	Cotter Pin	
35	25510090/0	1	Pin	
36	12295200/0	1	Nut	
37	12156602/0	1	Nut	
38	25670008/1	2	Washer	
39	12156602/0	1	Nut	
41	82000385/0	1	Axle	
42	27546015/1	2	Plate	
43	12731350/0	4	Screw	
44	25840024/0	1	Tie Rod	
45	25670008/1	1	Washer	
46	24487998/0	1	Cotter Pin	
47	25510098/0	1	Pin	
48	12295200/0	1	Nut	
49	12156602/0	1	Nut	
50	25670008/1	2	Washer	
51	12156602/0	1	Nut	
52	25840025/0	1	Tie Rod	
53	25670008/1	1	Washer	
54	24487998/0	1	Cotter Pin	
55	25510090/0	1	Pin	
56	12295200/0	1	Nut	
57	12156602/0	1	Nut	
58	25670008/1	2	Washer	
59	12156602/0	1	Nut	



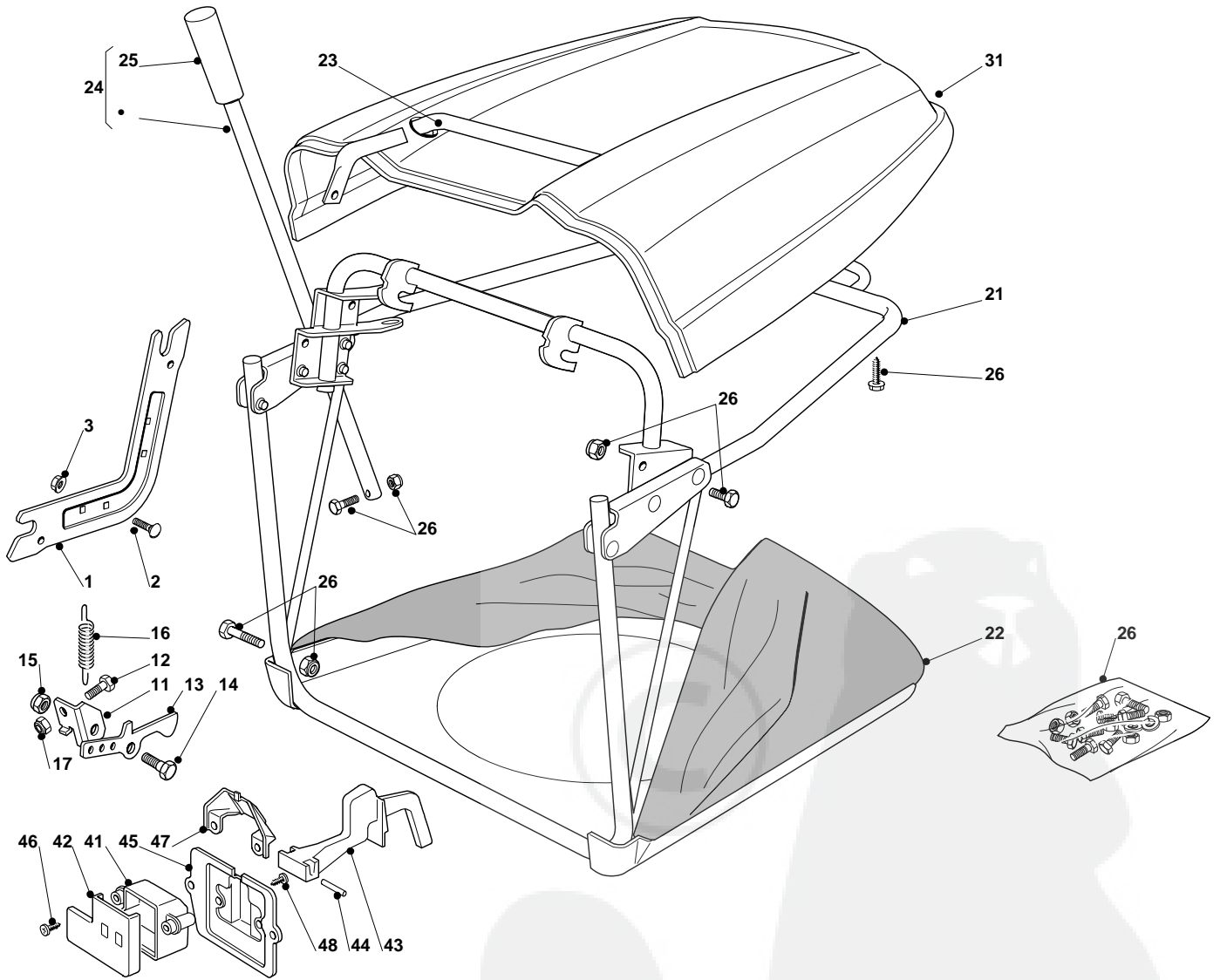




XG 175 HD - Model Year 2010

Guards And Conveyor

Pos.	Part no.	Q.ty	Description	Remarks
 A large, light gray watermark is centered on the page. It consists of a beaver standing upright on its hind legs, facing right, with its tail curved. To the left of the beaver is a copyright symbol (©).				

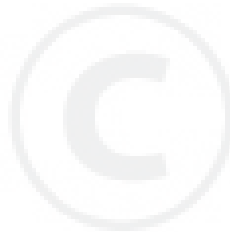




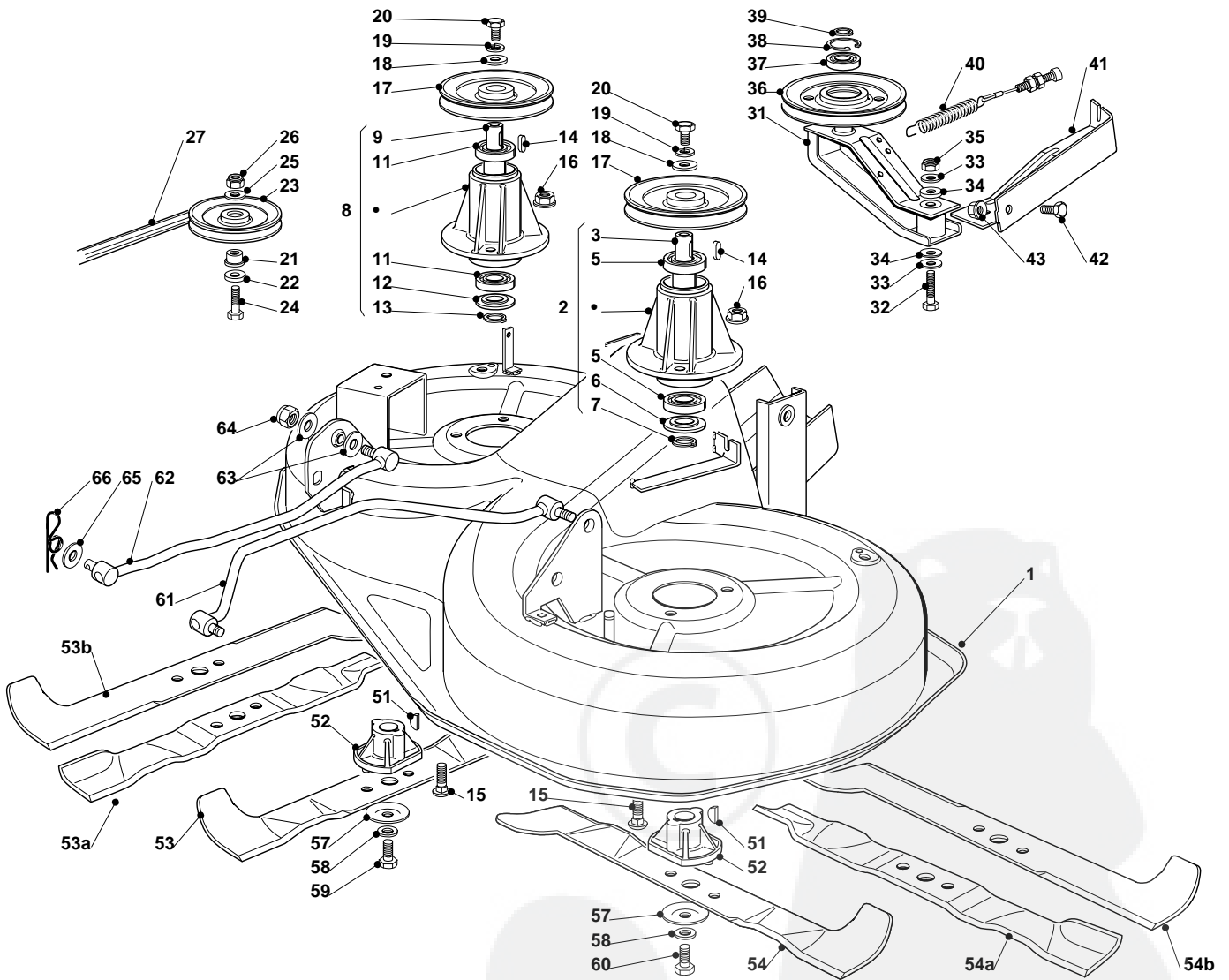
XG 175 HD - Model Year 2010

Grasscatcher

Pos.	Part no.	Q.ty	Description	Remarks
1	25785275/0	2	Support	
2	12818690/0	4	Screw	
3	12293201/0	4	Nut	
11	25755031/0	1	Bracket	
12	12789000/0	1	Screw	
13	25774315/0	1	Bracket	
14	25510080/0	1	Pin	
15	12292102/0	1	Nut	
16	22450432/0	1	Spring	
17	12154330/0	1	Nut	
21	82800111/0	1	Front Frame	
22	82105973/0	1	Grasscatcher	
23	82394003/0	1	Front Handle	
24	82869023/0	1	Rod	
25	25394508/0	1	Handle	
26	82180048/0	1	Screws Outfit	
31	25110320/0	1	Grass-Catcher Cover, Red	
41	25600041/0	1	Micro Protection	
42	25600042/0	1	Protection Cover	
43	25318124/0	1	Lever	
44	12400030/0	1	Pin	
45	25785272/0	1	Micro Protection	
46	12728510/0	1	Screw	
47	25600048/0	1	Protection Cover	
48	12735110/0	2	Screw	



Cutting Plate





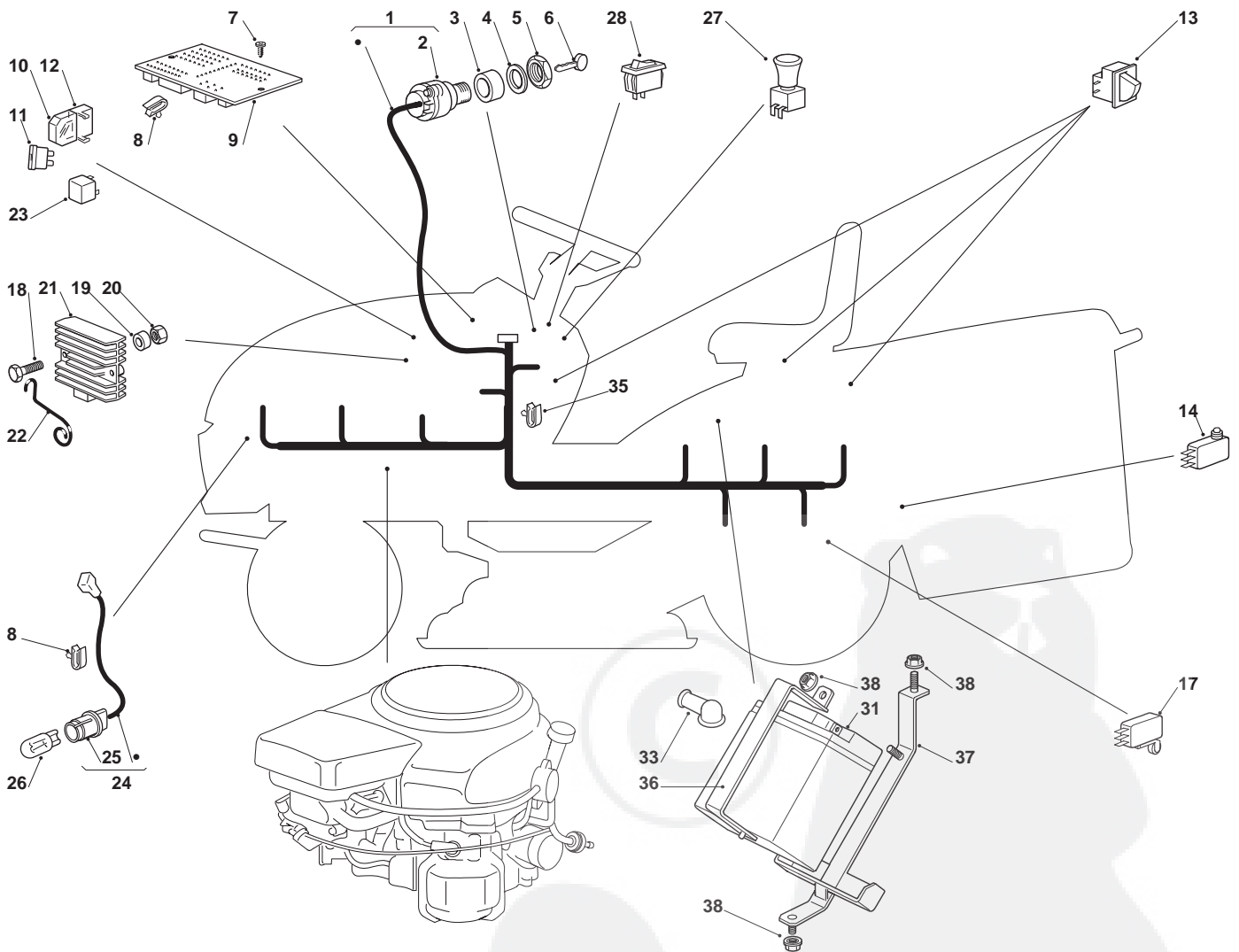
XG 175 HD - Model Year 2010

Cutting Plate

Pos.	Part no.	Q.ty	Description	Remarks
1	382564091/0	1	Plate	
2	82207202/0	1	Flange Ass.Y (6÷10)	
3	25020802/0	1	Shaft	
5	19216032/0	2	Bearing	
6	25160501/0	1	Dust Cover	
7	12609260/0	1	Seeger	
8	82207203/0	1	Right Flange Ass.Y (9÷13)	
9	25020803/0	1	Shaft	
11	19216032/0	2	Bearing	
12	25160501/0	1	Dust Cover	
13	12609260/0	1	Seeger	
14	12139480/0	2	Key	
15	12818700/0	6	Screw	
16	12154210/0	6	Nut	
17	25601563/0	2	Pulley	
18	25670007/0	2	Washer	
19	12583500/0	2	Grower	
20	12793102/0	2	Screw	
21	25160007/0	1	Spacer	
22	25670007/0	1	Washer	
23	25601555/0	1	Pulley	
24	12691115/0	1	Screw	
25	12523060/0	1	Washer	
26	12155000/0	1	Nut	
27	35065701/0	1	Belt	
31	82318141/2	1	Lever	
32	12691700/0	1	Screw	
33	12523070/0	2	Washer	
34	22672152/0	2	Washer	
35	12155000/0	1	Nut	
36	25601564/0	1	Pulley	
37	19216033/1	1	Bearing	
38	12610800/0	1	Seeger	
39	12609200/0	1	Seeger	
40	82004618/0	1	Wire	
41	82774215/2	1	Clamp	
42	12792611/0	1	Screw	
43	12293201/0	1	Nut	
51	12139100/0	2	Key	
52	25463200/0	2	Blade Hub	
53b	82004345/1	1	Right Blade, Winged	
53	82004352/0	1	Right Blade Mulching	
53a	82004354/0	1	Right Blade Mulching, Winged	
54	81004346/3	1	Blade Standard	
54b	82004344/1	1	Left Blade, Winged	
54a	82004353/0	1	Left Blade Mulching, Winged	
57	22160400/0	2	Elastic Washer	
58	12523080/0	2	Washer	
59	12735695/1	1	Screw	
60	12735694/0	1	Screw	
61	82000535/0	1	Equalizer Rod	
62	82000533/0	1	Equalizer Rod	
63	25670008/1	4	Washer	
64	12156602/0	2	Nut	
65	25670008/1	2	Washer	
66	24487998/0	2	Cotter Pin	



Electrical Parts

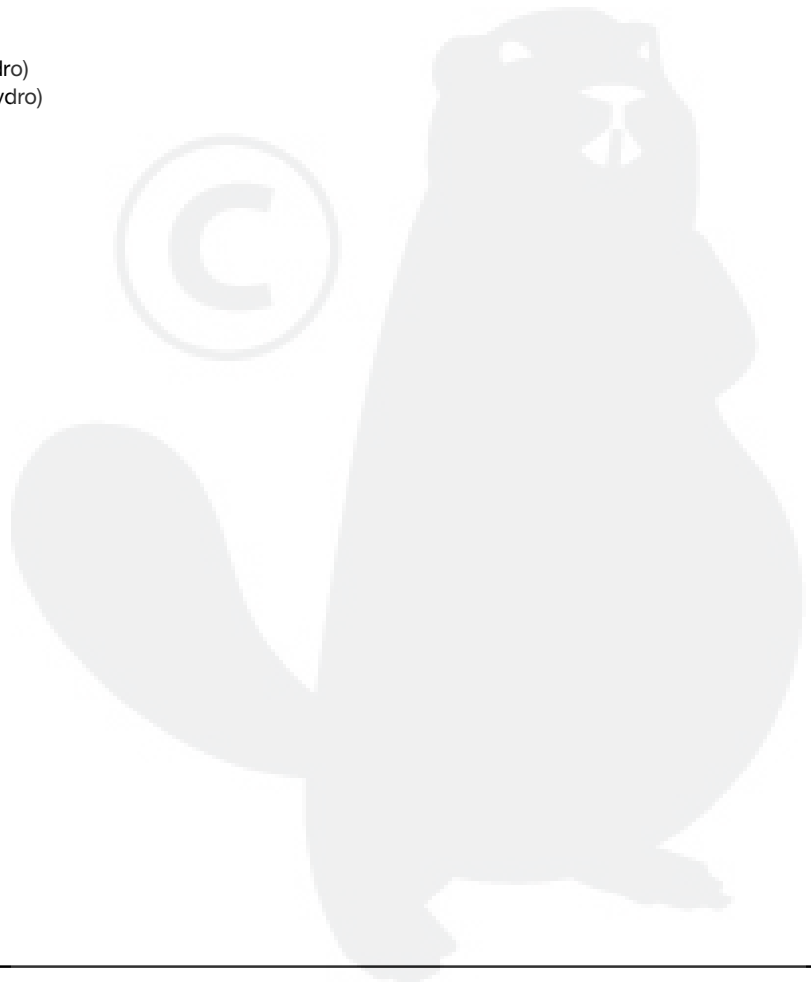


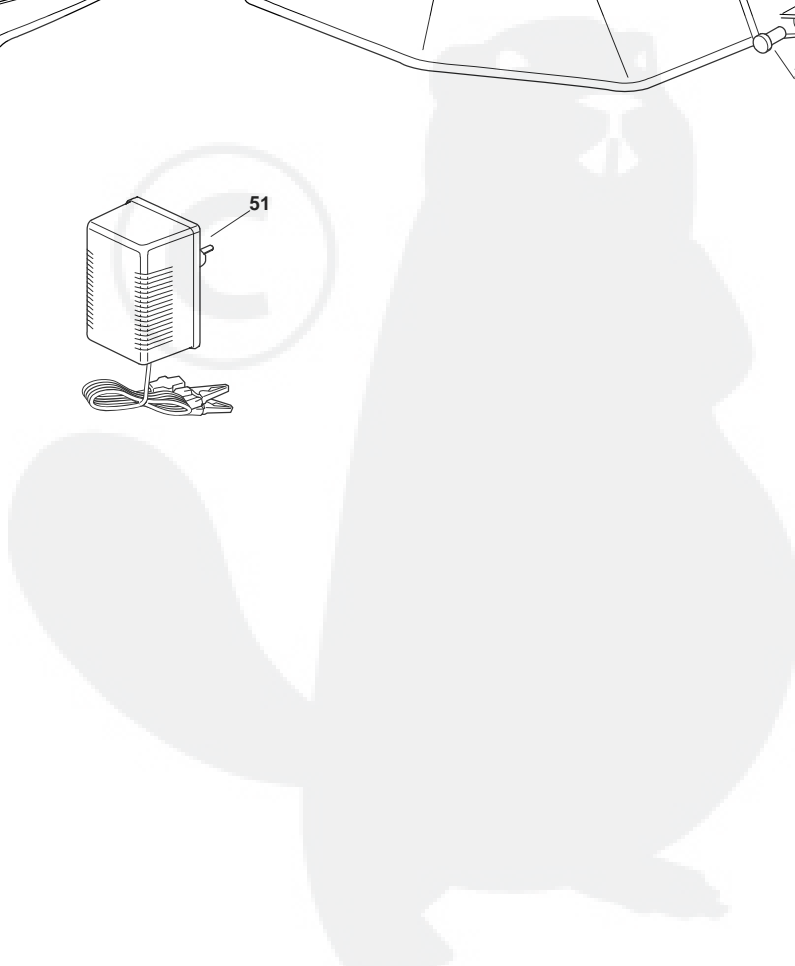
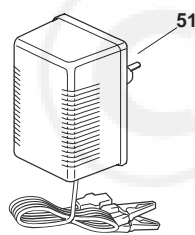
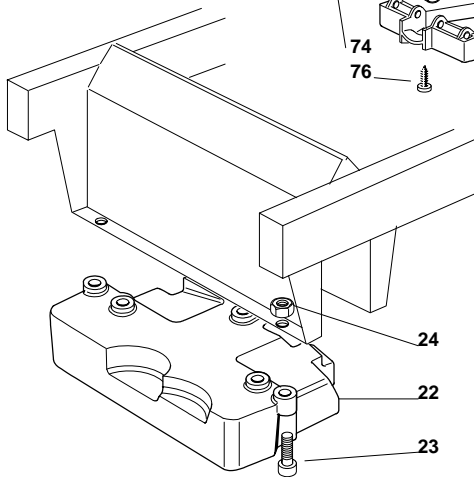
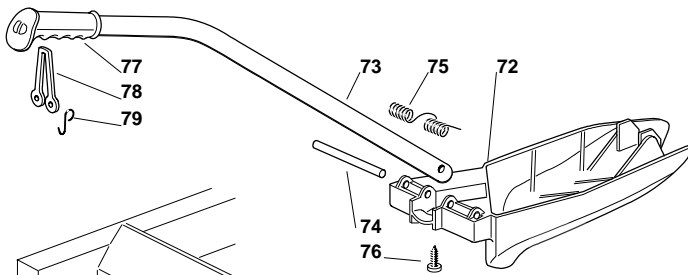
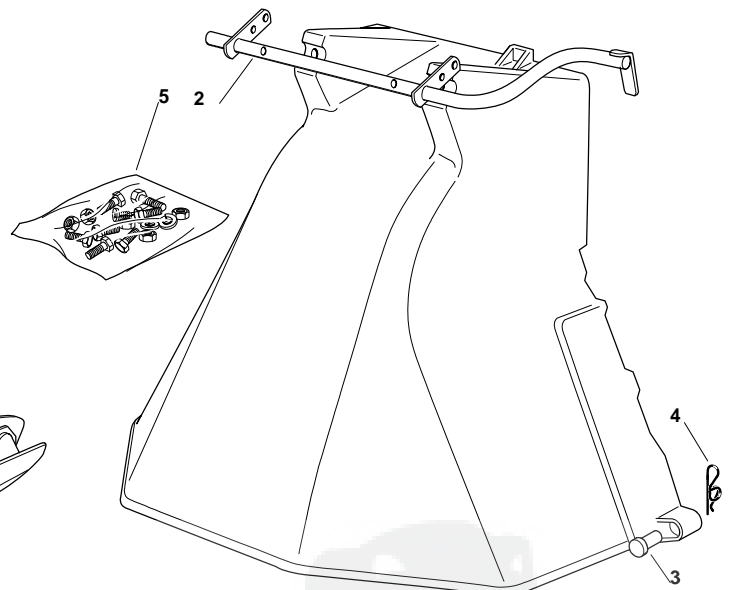
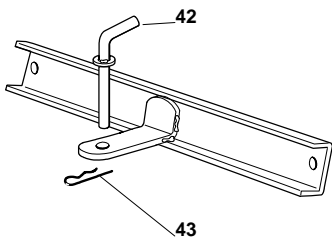


XG 175 HD - Model Year 2010

Electrical Parts

Pos.	Part no.	Q.ty	Description	Remarks
1	182040154/0	1	Cables Ass.Y	
2	18450072/0	1	Starting Switch	
3	18550136/0	1	Spacer	
4	18550135/0	1	Washer	
5	18400862/0	1	Ringnut	
6	18210022/0	1	Starting Key	
7	12727810/0	3	Screw	
8	33320506/0	2	Fairled	
9	125722430/1	1	Electronic Card	
9	125722431/0	1	Electronic Card 6 Led	
10	33215000/0	2	Cover	
11	33340036/0	1	Fuse 25 A	
11	33340040/0	1	Fuse 10 A	
12	33500007/0	2	Fuse Carrier	
13	119410615/0	3	Micro	
14	19410605/1	1	Full Grasscat. Microsw.	
15	19410610/0	1	Neutral Switch (Mech.)	
16	25065026/0	1	Cable (Mech.)	
18	12815221/0	2	Screw	
19	22170950/0	2	Spacer	
20	12292102/0	2	Nut	
21	19410610/0	1	Neutral Switch (Mech.)	
22	27430561/0	1	Spring	
23	33567000/0	1	Relay	
24	82040070/0	1	Cable	
24	82040073/0	1	Cable	
25	33500030/0	2	Lamp Holder	
26	18459100/0	2	Farilamp For Lights	
27	18450068/0	1	Clutch Switch	
28	18450060/1	1	Farilamp Switch	
31	18120002/1	1	Battery	
33	18564861/1	1	Protection	
35	33320506/0	9	Fairled	
36	27772099/1	1	Clamp	
37	382785191/0	1	Battery Support	
38	12155000/0	3	Nut	
41	382394853/0	1	Switch Ass.Y (Hydro)	
42	19410609/0	1	Neutral Switch (Hydro)	
43	12735602/0	2	Screw	
44	12581100/0	2	Grower	
45	12290791/0	2	Nut	
46	12735110/0	2	Screw	



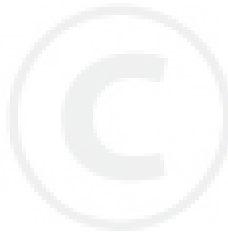




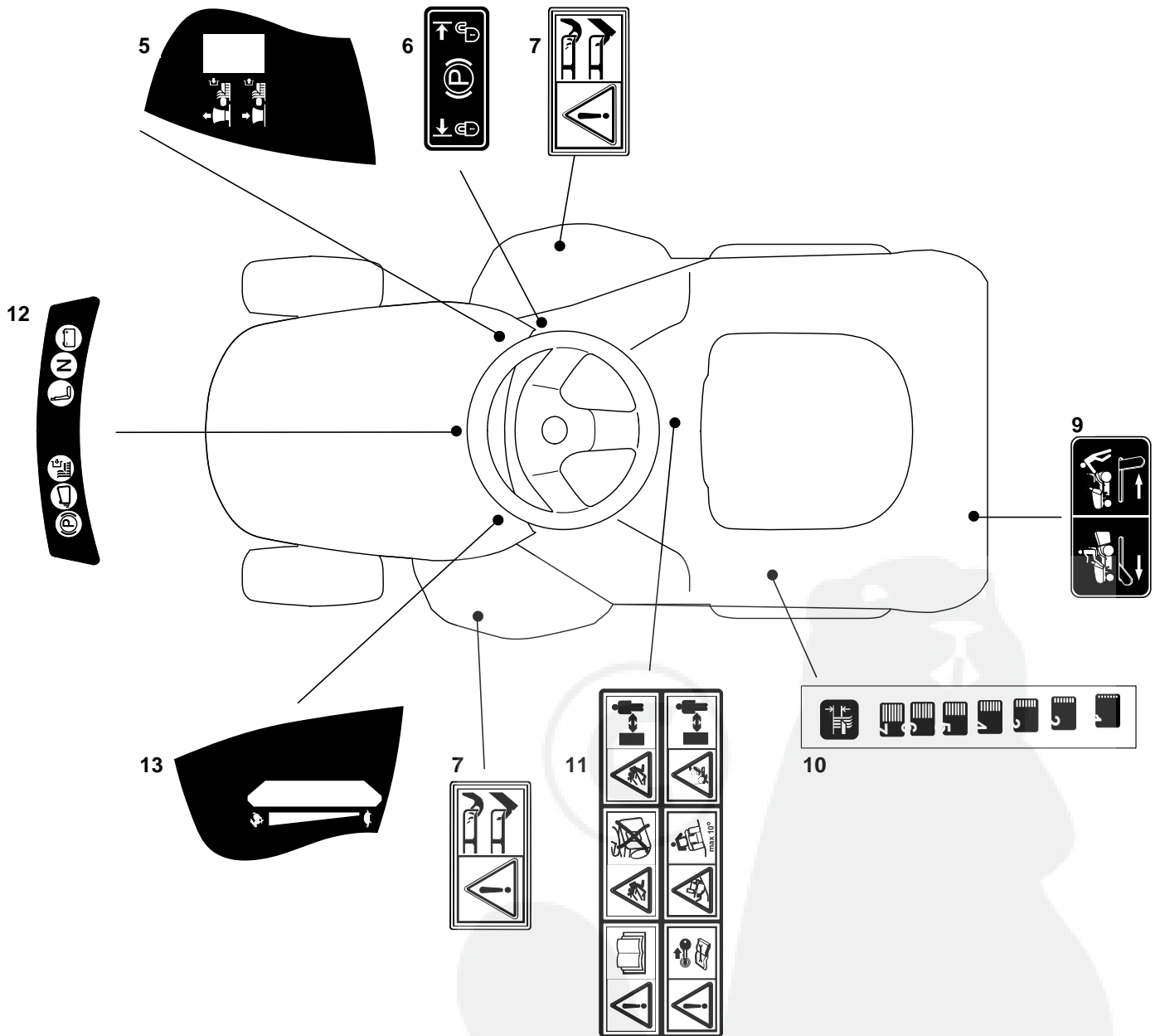
XG 175 HD - Model Year 2010

Optionals On Request

Pos.	Part no.	Q.ty	Description	Remarks
2	82869035/0	1	Support	
3	25510022/0	2	Pin	
4	24487998/0	2	Cotter Pin	
5	82180062/0	1	Screws Outfit	
22	25519997/1	1	Weight	
23	12760520/0	3	Screw	
24	12155000/0	3	Nut	
42	25510021/1	1	Pin	
43	24487999/0	1	Cotter Pin	
51	182180090/0	1	Battery Charger	
51	182180091/0	1	Battery Charger (U.K.)	for UK
72	25140093/0	1	Deflector	
73	25394007/0	1	Handle	
74	25510077/0	1	Pin	
75	25430245/0	1	Spring	
76	12735410/0	1	Screw	
77	25280000/1	1	Handgrip	
78	25840011/1	1	Elastic Tie-Rod	
79	25253004/0	2	Hook	



Labels





XG 175 HD - Model Year 2010

Labels

Pos.	Part no.	Q.ty	Description	Remarks
1	14361440/0	1	Label	
2	25420019/0	1	Label	
3	25420018/0	1	Label	
4	14361438/0	1	Label	
5	14361439/0	1	Label	
6	14361452/0	1	Label	
7	114356699/1	2	Label	
8	14361447/0	1	Label (Mech.)	
9	14361451/0	1	Label (Hydro)	
10	14361441/0	1	Label	
11	14361553/0	1	Label	
12	125420020/0	1	Label	
13	114364616/0	1	Label (Honda GXV 390)	

