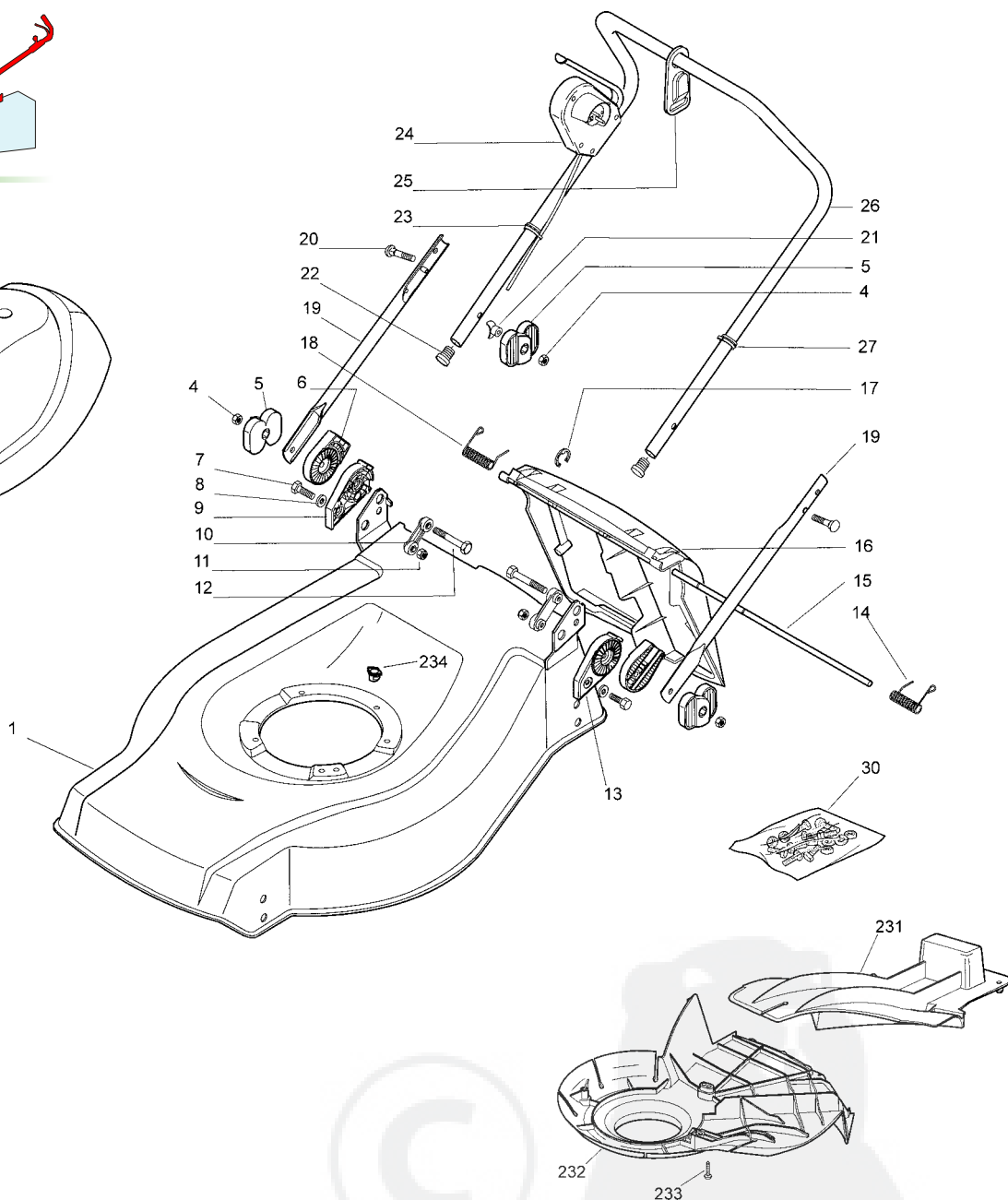
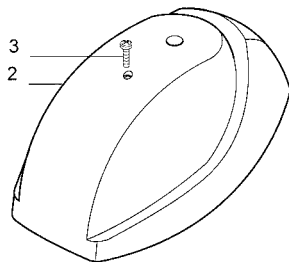
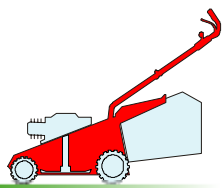


**1**

01D\_CA430



| Pos. | Code       | Q.ty | Descrizione         | Description         | Description       | Beshreibung      | Remarks             |
|------|------------|------|---------------------|---------------------|-------------------|------------------|---------------------|
| 1    | 81001893/0 | 1    | CHASSIS GIALLO      | DECK YELLOW         | CHÂSSIS JAUNE     | GEHÄUSE GELB     | (CA 430 - CA 430 S) |
| -    | 81001892/0 | 1    | CHASSIS ROSSO       | DECK RED            | CHÂSSIS ROUGE     | GEHÄUSE ROT      | (CA 430 - CA 430 S) |
| -    | 81001894/0 | 1    | CHASSIS VERDE       | DECK GREEN          | CHÂSSIS VERT      | GEHÄUSE GRÜN     | (CA 430 - CA 430 S) |
| -    | 81001801/0 | 1    | CHASSIS GIALLO      | DECK YELLOW         | CHÂSSIS JAUNE     | GEHÄUSE GELB     | (CA 480)            |
| -    | 81001800/1 | 1    | CHASSIS ROSSO       | DECK RED            | CHÂSSIS ROUGE     | GEHÄUSE ROT      | (CA 480)            |
| -    | 81001802/0 | 1    | CHASSIS VERDE       | DECK GREEN          | CHÂSSIS VERT      | GEHÄUSE GRÜN     | (CA 480)            |
| 2    | 22055058/0 | 1    | CAPOTTINA           | COVER               | CAPOT             | HAUBE            |                     |
| 3    | 12728680/0 | 2    | VITE                | SCREW               | VIS               | SCHRAUBE         |                     |
| 4    | 12293202/0 | 4    | DADO                | NUT                 | ECROU             | MUTTER           |                     |
| 5    | 22399803/0 | 4    | MANOPOLINA          | KNOB                | POIGNÉE           | GRIF             |                     |
| 6    | 22785081/1 | 2    | SUPPORTO ESTERNO    | SUPPORT, EXTERNAL   | SUPPORT EXTERNE   | HALTER, AUßERE   |                     |
| 7    | 12793701/0 | 2    | VITE                | SCREW               | VIS               | SCHRAUBE         |                     |
| 8    | 12521350/0 | 2    | ROSETTA             | WASHER              | RONDELLE          | SCHEIBE          |                     |
| 9    | 22785082/0 | 1    | SUPPORTO INTERNO DX | SUPPORT, R INTERNAL | SUPPORT INTERNE D | HALTER, INNERE R |                     |
| 10   | 22551575/0 | 2    | PIASTRINA INTERNA   | PLATE, INSIDE       | PLAQUETTE INTERNE | PLATTE, INNERE   |                     |
| 11   | 12155000/0 | 2    | DADO                | NUT                 | ECROU             | MUTTER           |                     |
| 12   | 12691810/0 | 2    | VITE                | SCREW               | VIS               | SCHRAUBE         |                     |

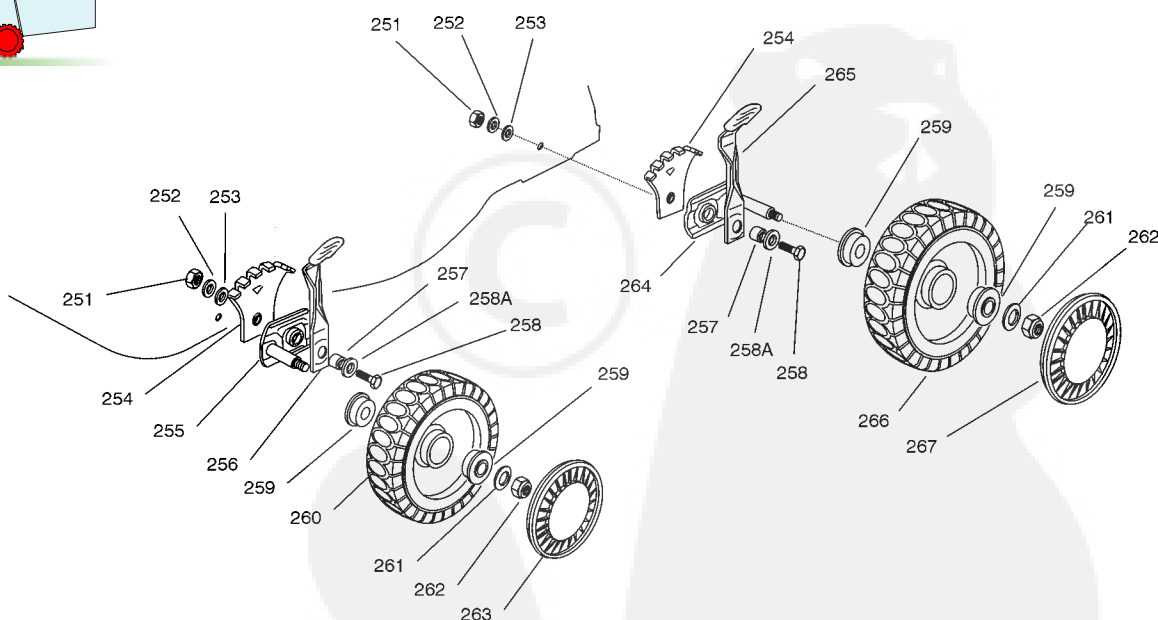
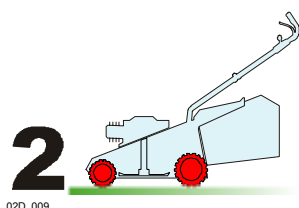


## GLOBAL GARDEN PRODUCTS

| Pos. | Code       | Q.ty | Descrizione         | Description         | Description          | Beschreibung     | Remarks           |
|------|------------|------|---------------------|---------------------|----------------------|------------------|-------------------|
| 13   | 22785083/1 | 1    | SUPPORTO INTERNO SX | SUPPORT, L INTERNAL | SUPPORT INTERNE G    | HALTER, INNERE L |                   |
| 14   | 22450420/1 | 1    | MOLLA SX            | L SPRING            | RESSORT G            | LINKE FEDER      |                   |
| 15   | 22517906/1 | 1    | PERNO               | PIN                 | PIVOT                | BOLZEN           |                   |
| 16   | 22600063/1 | 1    | PARASASSI           | STONE-GUARD         | PARE-PIERRES         | PRALLBLECH       |                   |
| 17   | 12000930/0 | 1    | ANELLO ELASTICO     | SNAP RING           | ANNEAU RESSORT       | SPRENGRING       |                   |
| 18   | 22450410/1 | 1    | MOLLA DX            | R SPRING            | RESSORT D            | RECHTE FEDER     |                   |
| 19   | 81006531/0 | 2    | MANICO INFERIORE    | HANDLE, LOWER PART  | MANCHERON INFERIEURE | HOLM, UNTERTEIL  |                   |
| 20   | 12819125/0 | 2    | VITE                | SCREW               | VIS                  | SCHRAUBE         |                   |
| 21   | 22680006/1 | 2    | ROSETTA             | WASHER              | RONDELLE             | SCHEIBE          |                   |
| 22   | 18566112/0 | 2    | PUNTALE             | CAP                 | BOUCHON              | GUMMISTOPFEN     |                   |
| 23   | 22192000/1 | 2    | FASCETTA ANCORAGGIO | ANCHOR CLAMP        | COLLIER ANCRAGE      | BOWDENZUGHALTER  |                   |
| 24   | -          | 1    | SALVAMOTORE         | DEAD HAND SWITCH    | INT. MAIN MORTE      | TOT MANSCHALTER  | (SEE ENCLOSURE 2) |
| 25   | 22195101/4 | 1    | FERMACAVO           | FAIRLEAD            | FIXATION CABLE       | KABELBEFESTIGUNG |                   |
| 26   | 81007037/1 | 1    | MANICO SUPERIORE    | HANDLE, UPPER PART  | MANCHERON SUPERIEURE | HOLM, OBERTEIL   |                   |
| 27   | 22192151/0 | 1    | FERMACAVO           | FAIRLEAD            | FIXATION CABLE       | KABELBEFESTIGUNG |                   |
| 28   | 81008632/0 | 1    | DOTAZIONE VITERIA   | OUTFIT, SCREWS      | DOTATION VISSERIE    | SATZ, SCHRAUBEN  |                   |

### VARIANTE MULCHING - MULCHING MODIFICATION - MODIFICATION MULCHING - ÄNDERUNGEN MULCHING

| Pos. | Code       | Q.ty | Descrizione      | Description   | Description         | Beschreibung  | Remarks           |
|------|------------|------|------------------|---------------|---------------------|---------------|-------------------|
| 231  | 22140223/0 | 1    | DEFLETTORE       | DEFLECTOR     | DEFLECTEUR          | DEFLEKTOR     | (CA 480 MULCHING) |
| 232  | 22060198/0 | 1    | CARTER           | PROTECTION    | PROTECTION          | SCHUTZ        | (CA 480 MULCHING) |
| 233  | 12728530/0 | 3    | VITE             | SCREW         | VIS                 | SCHRAUBE      |                   |
| 234  | 22291150/0 | 1    | INSERTO IN GOMMA | RUBBER INSERT | INSERT DE GAOUTCHOU | GUMMI EINSATZ |                   |

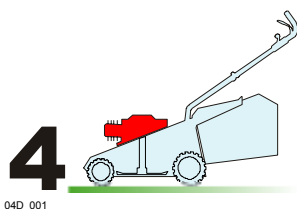


| Pos. | Code       | Q.ty | Descrizione                 | Description               | Description             | Beschreibung            | Remarks |
|------|------------|------|-----------------------------|---------------------------|-------------------------|-------------------------|---------|
| 251  | 12293200/0 | 4    | DADO                        | NUT                       | ECROU                   | MUTTER                  |         |
| 252  | 12583500/0 | 4    | GROWER                      | GROWER                    | GROWER                  | FEDERRING               |         |
| 253  | 12523070/0 | 4    | ROSETTA                     | WASHER                    | RONDELLE                | SCHEIBE                 |         |
| 254  | 22735547/0 | 4    | SETTORE REGOLAZIONE ALTEZZA | SECTOR, HEIGHT ADJUSTMENT | SECTEUR REGLAGE HAUTEUR | SEKTOR, HÖHEVERSTELLUNG |         |
| 255  | 81005082/0 | 2    | SUPPORTO RUOTA              | SUPPORT, WHEEL            | SUPPORT ROUE            | HALTER, RAD             |         |
| 256  | 81003285/1 | 2    | LEVA REGOLAZIONE ALTEZZA    | LEVER, HEIGHT ADJUSTMENT  | LEVIER REGLAGE HAUTEUR  | HEBEL, HÖNEVERSTELLUNG  |         |

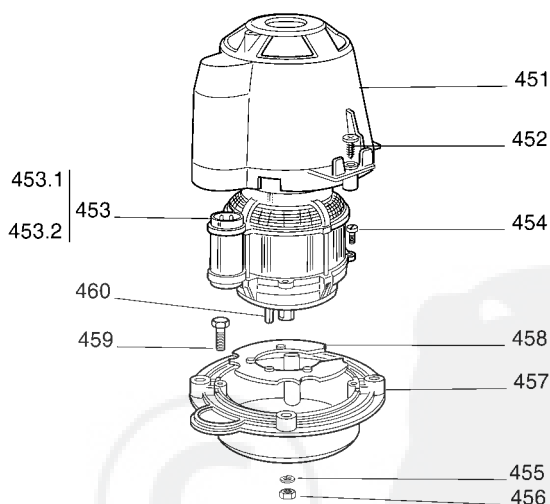


## GLOBAL GARDEN PRODUCTS

| Pos. | Code       | Q.ty | Descrizione              | Description              | Description            | Beshreibung             | Remarks |
|------|------------|------|--------------------------|--------------------------|------------------------|-------------------------|---------|
| 257  | 22171001/0 | 4    | DISTANZIALE              | SPACER                   | ENTRETOISE             | DISTANZRING             |         |
| 258  | 12793701/0 | 4    | VITE                     | SCREW                    | VIS                    | SCHRAUBE                |         |
| 258A | 12521350/0 | 4    | ROSETTA                  | WASHER                   | RONDELLE               | SCHEIBE                 |         |
| 259  | 22034508/0 | 8    | BUSSOLA                  | BUSH                     | DOUILLE                | BUCHSE                  |         |
| 260  | 81007336/0 | 2    | RUOTA SCOLPITA Ø 170     | WHEEL, KNOBBLY Ø 170     | ROUE SCULPTEE Ø 170    | RAD M. STOLLENPR. Ø 170 |         |
| 261  | 12523060/0 | 4    | ROSETTA                  | WASHER                   | RONDELLE               | SCHEIBE                 |         |
| 262  | 12155000/0 | 4    | DADO                     | NUT                      | ECROU                  | MUTTER                  |         |
| 263  | 22110282/0 | 2    | COPRIMOZZO BIANCO        | HUB CAP WHITE            | COUVRE-MOYEU BLANC     | RADKAPPE WEIßE          |         |
| -    | 22110288/0 | 2    | COPRIMOZZO GIALLO        | HUB CAP YELLOW           | COUVRE-MOYEU JAUNE     | RADKAPPE GELBE          |         |
| -    | 22110300/0 | 2    | COPRIMOZZO GRIGIO        | HUB CAP GREY             | COUVRE-MOYEU GRIS      | RADKAPPE GRAU           |         |
| -    | 22110290/0 | 2    | COPRIMOZZO ROSSO         | HUB CAP RED              | COUVRE-MOYEU ROUGE     | RADKAPPE ROTE           |         |
| 264  | 81005084/0 | 2    | SUPPORTO RUOTA           | SUPPORT, WHEEL           | SUPPORT ROUE           | HALTER, RAD             |         |
| 265  | 81003286/0 | 2    | LEVA REGOLAZIONE ALTEZZA | LEVER, HEIGHT ADJUSTMENT | LEVIER REGLAGE HAUTEUR | HEBEL, HÖNEVERSTELLUNG  |         |
| 266  | 81007337/0 | 2    | RUOTA SCOLPITA Ø 210     | WHEEL, KNOBBLY Ø 210     | ROUE SCULPTEE Ø 210    | RAD M. STOLLENPR. Ø 210 |         |
| 267  | 22110281/0 | 2    | COPRIMOZZO BIANCO        | HUB CAP WHITE            | COUVRE-MOYEU BLANC     | RADKAPPE WEIßE          |         |
| -    | 22110287/0 | 2    | COPRIMOZZO GIALLO        | HUB CAP YELLOW           | COUVRE-MOYEU JAUNE     | RADKAPPE GELBE          |         |
| -    | 22110301/0 | 2    | COPRIMOZZO GRIGIO        | HUB CAP GREY             | COUVRE-MOYEU GRIS      | RADKAPPE GRAU           |         |
| -    | 22110289/0 | 2    | COPRIMOZZO ROSSO         | HUB CAP RED              | COUVRE-MOYEU ROUGE     | RADKAPPE ROTE           |         |



04D\_001

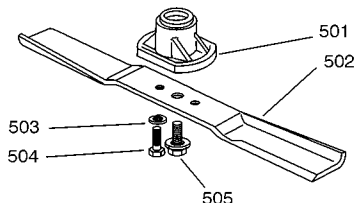
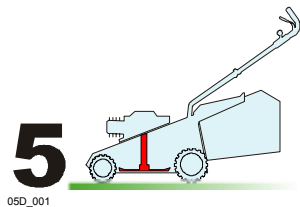


| Pos.  | Code       | Q.ty | Descrizione            | Description     | Description            | Beshreibung       | Remarks           |
|-------|------------|------|------------------------|-----------------|------------------------|-------------------|-------------------|
| 451   | 22785061/0 | 1    | SUPPORTO CAPOTTINA     | SUPPORT, COVER  | SUPPORT CAPOT          | HALTER, HAUBE     |                   |
| -     | 22785210/0 | 1    | SUPPORTO CAPOTTINA     | SUPPORT, COVER  | SUPPORT CAPOT          | HALTER, HAUBE     | (1800W)           |
| 452   | 12728710/0 | 4    | VITE                   | SCREW           | VIS                    | SCHRAUBE          |                   |
| 453   | 18563640/0 | 1    | MOTORE ATB             | MOTOR ATB       | MOTEUR ATB             | MOTOR ATB         | 230V              |
| -     | 18563605/0 | 1    | MOTORE ATB             | MOTOR ATB       | MOTEUR ATB             | MOTOR ATB         | 230V (1600W)      |
| -     | 18563009/0 | 1    | MOTORE RST             | MOTOR RST       | MOTEUR RST             | MOTOR RST         | 230V (1600W)      |
| -     | 18563640/0 | 1    | MOTORE ATB             | MOTOR ATB       | MOTEUR ATB             | MOTOR ATB         | 230V (1800W)      |
| 453.1 | 18740054/0 | 1    | VENTOLA PER MOTORE ATB | FAN MOTOR ATB   | VENTILATEUR MOTEUR ATB | LÜFTER MOTOR ATB  |                   |
| -     | 18740051/0 | 1    | VENTOLA PER MOTORE RST | FAN MOTOR RST   | VENTILATEUR MOTEUR RST | LÜFTER MOTOR RST  |                   |
| 453.2 | 18222045/0 | 1    | CONDENSATORE 16 µF     | CONDENSER 16 µF | CONDENSEUR 16 µF       | KONDENSATOR 16 µF | (ATB - 1600W)     |
| -     | 18222039/0 | 1    | CONDENSATORE 25 µF     | CONDENSER 25 µF | CONDENSEUR 25 µF       | KONDENSATOR 25 µF | (ATB - 1800W)     |
| -     | 18222038/0 | 1    | CONDENSATORE 20 µF     | CONDENSER 20 µF | CONDENSEUR 20 µF       | KONDENSATOR 20 µF | (RST)             |
| 454   | 12735410/0 | 4    | VITE                   | SCREW           | VIS                    | SCHRAUBE          |                   |
| 455   | 12583500/0 | 4    | GROWER                 | GROWER          | GROWER                 | FEDERRING         |                   |
| 456   | 12293200/0 | 4    | DADO                   | NUT             | ECROU                  | MUTTER            |                   |
| 457   | 22207211/3 | 1    | FLANGIA                | FLANGE          | BRIDE                  | FLANSCH           |                   |
| -     | 22207216/0 | 1    | FLANGIA                | FLANGE          | BRIDE                  | FLANSCH           | (CA 480 MULCHING) |

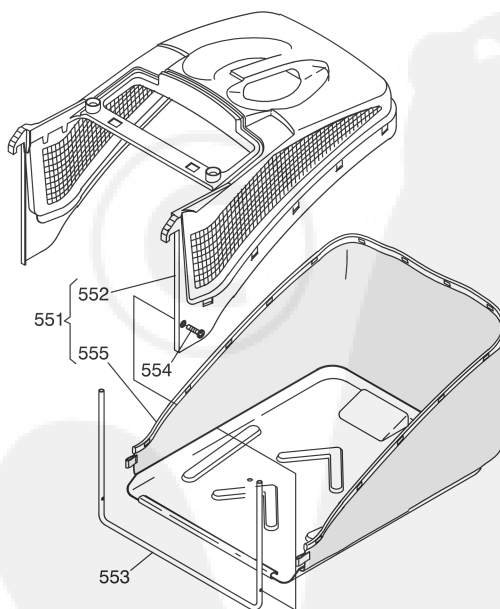
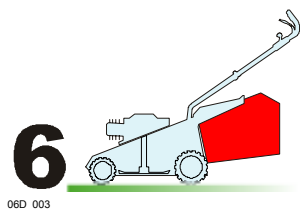


## GLOBAL GARDEN PRODUCTS

| Pos. | Code       | Q.ty | Descrizione          | Description        | Description       | Beshreibung    | Remarks |
|------|------------|------|----------------------|--------------------|-------------------|----------------|---------|
| 458  | 22720360/1 | 1    | SCHERMO VENTILAZIONE | VENTILATION SCREEN | ECRAN VENTILATION | LÜFTUNGSSCHIRM |         |
| 459  | 12793700/0 | 4    | VITE                 | SCREW              | VIS               | SCHRAUBE       |         |
| 460  | 12139440/0 | 1    | LINGUETTA            | FEATHER            | CLAVETTE          | KEIL           |         |



| Pos. | Code       | Q.ty | Descrizione       | Description    | Description   | Beshreibung     | Remarks |
|------|------------|------|-------------------|----------------|---------------|-----------------|---------|
| 501  | 22463186/2 | 1    | MOZZO             | HUB            | MOYEU         | HALTER          |         |
| 502  | 81004396/0 | 1    | COLTELLO ALETTATO | BLADE WINGED   | LAME AILETTÉE | MESSER FLÜGEL   | (41 cm) |
| -    | 81004341/3 | 1    | COLTELLO STANDARD | BLADE STANDARD | LAME STANDARD | MESSER STANDARD | (41 cm) |
| -    | 81004397/0 | 1    | COLTELLO ALETTATO | BLADE WINGED   | LAME AILETTÉE | MESSER FLÜGEL   | (46 cm) |
| -    | 81004346/3 | 1    | COLTELLO STANDARD | BLADE STANDARD | LAME STANDARD | MESSER STANDARD | (46 cm) |
| 503  | 12583500/0 | 2    | GROWER            | GROWER         | GROWER        | FEDERRING       |         |
| 504  | 12793101/0 | 2    | VITE              | SCREW          | VIS           | SCHRAUBE        |         |
| 505  | 81004352/0 | 1    | VITE              | SCREW          | VIS           | SCHRAUBE        |         |



| Pos. | Code       | Q.ty | Descrizione      | Description            | Description            | Beshreibung        | Remarks |
|------|------------|------|------------------|------------------------|------------------------|--------------------|---------|
| 551  | 91000010/1 | 1    | SACCO, COMPLETO  | GRASSCATCHER, COMPLETE | SAC, COMPLETE          | SACK, KOMPLETTE    |         |
| 552  | 22486093/0 | 1    | SACCO, PARTE SUP | GRASS-BOX, UPPER PART  | SAC, PARTIE SUPERIEURE | KORB, OBERTEIL     |         |
| 553  | 22608523/0 | 1    | RINFORZO INF     | STIFFENING LOWER       | RÉNFORCEMENT INF       | VERSTÄRKUNG UNTERE |         |
| 554  | 12728445/0 | 2    | VITE             | SCREW                  | VIS                    | SCHRAUBE           |         |
| 555  | 81002195/0 | 1    | SACCO, TELA      | BOX, FABRIC            | SAC, TOILE             | SACK, TUCK         |         |