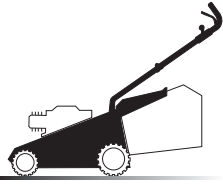
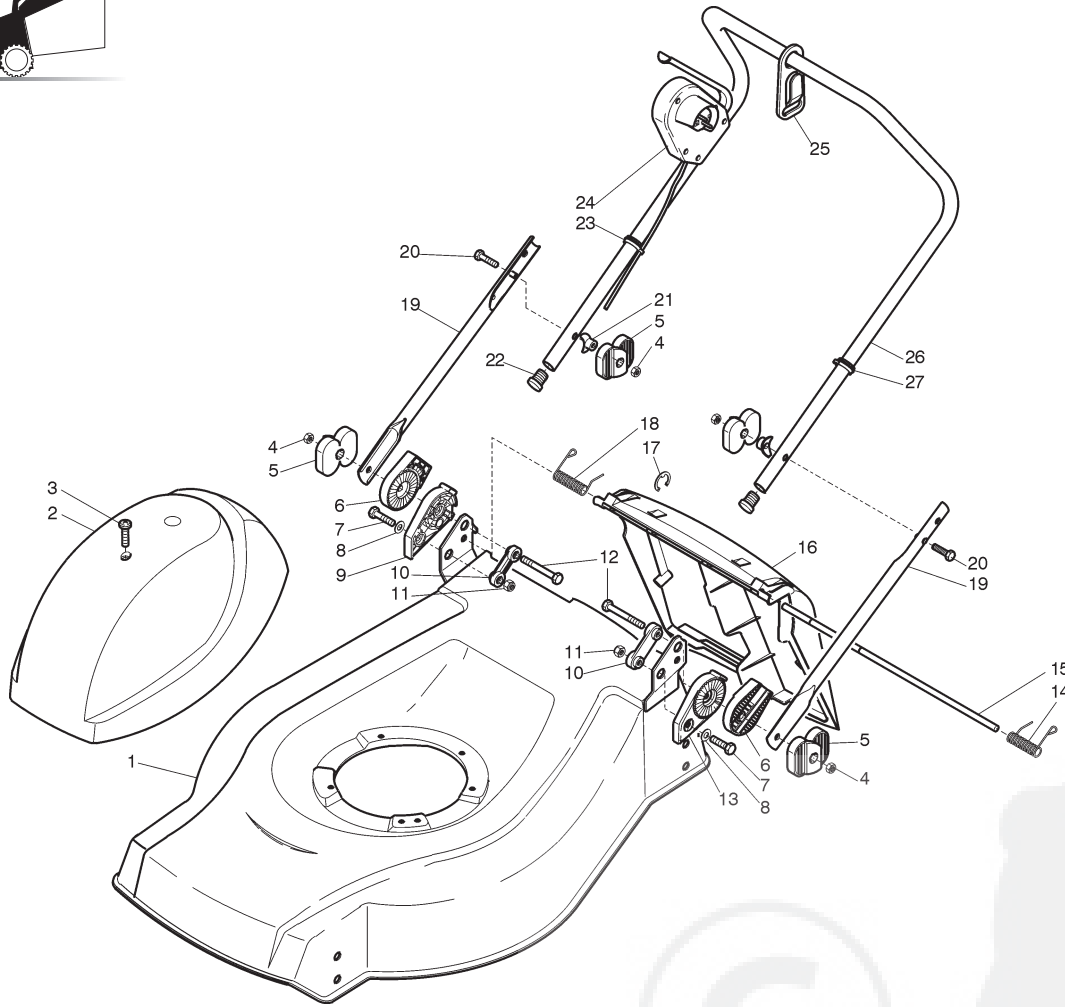


1



01D.027



- H 350
- K 350
- K 390
- C 350
- C 390
- NG 410 / 410 S
- NG 460
- NG 414
- NG 464
- NG 464 TR
- NG 464 TR-E
- NG 504
- NG 504 TR
- NG 504 TR-E
- R 430 / 430 S
- R 480
- R 430 TR
- R 434
- R 484
- R 534
- R 484 TR / TR-E
- R 534 TR / TR-E
- RL 430 / 430 S
- RL 480
- RL 430 TR
- RL 434
- RL 484
- RL 534
- RL 484 TR
- RL 484 TR-E
- RL 534 TR
- RL 534 TR-E
- TD 430 / 430 S
- TD 480
- TD 430 TR
- TD 434
- TD 484
- TD 534
- TD 484 TR
- TD 484 TR-E
- TD 534 TR
- TD 534 TR-E
- TDL 430 / 430 S
- TDL 480
- TDL 430 TR
- TDL 434
- TDL 484
- TDL 534
- TDL 484 TR
- TDL 484 TR-E
- TDL 534 TR
- TDL 534 TR-E
- CA 430
- CA 480
- CA 434
- CA 484
- CA 534
- CA 430 TR
- CA 434 TR
- CA 484 TR / TR-E
- CA 534 TR / TR-E
- CAL 430
- CAL 480
- CAL 434
- CAL 484
- CAL 534
- CAL 430 TR
- CAL 434 TR
- CAL 484 TR / TR-E
- CAL 534 TR / TR-E
- T 430 / 430 S
- T 480
- T 434
- T 484
- T 484 TR
- T 484 TR-E
- PAN 504
- PAN 504 TR
- PAN 504 TR-E
- PAN 504 TR-E 3S
- PAN 504 TR 3S
- NP 534
- NP 534 TR
- NP 534 TR-E
- NP 534 TR 3S
- NP 534 TR-E 3S
- S 474 L

01T.027

Pos	Code	Q.ty	Descrizione	Description	Description	Beschreibung	
1	81001892/ 0	1	CHASSIS ROSSO	DECK RED	CHÂSSIS ROUGE	GEHÄUSE ROTES	CA 430
-	81001893/ 0	1	CHASSIS GIALLO	DECK YELLOW	CHÂSSIS JAUNE	GEHÄUSE GELBES	CA 430
-	81001894/ 0	1	CHASSIS VERDE	DECK GREEN	CHÂSSIS VERT	GEHÄUSE GRÜNES	CA 430
-	81001800/ 0	1	CHASSIS ROSSO	DECK RED	CHÂSSIS ROUGE	GEHÄUSE ROTES	CA 480
-	81001801/ 0	1	CHASSIS GIALLO	DECK YELLOW	CHÂSSIS JAUNE	GEHÄUSE GELBES	CA 480
-	81001802/ 0	1	CHASSIS VERDE	DECK GREEN	CHÂSSIS VERT	GEHÄUSE GRÜNES	CA 480
2	22035058/ 0	1	CAPOTTINA	COVER	CAPOT	HAUBE	
3	12728680/ 0	2	VITE	SCREW	VIS	SCHRAUBE	
4	12293202/ 0	4	DADO	NUT	ECROU	MUTTER	
5	22399803/ 0	4	MANOPOLINA	KNOB	POIGNÉE	GRIFF	
6	22785081/ 0	2	SUPPORTO ESTERNO	SUPPORT, EXTERNAL	SUPPORT EXTERNE	HALTER, AUßERE	
7	12793701/ 0	2	VITE	SCREW	VIS	SCHRAUBE	
8	12521350/ 0	2	RONDELLA	WASHER	RONDELLE	SCHIBE	
9	22785082/ 0	1	SUPPORTO INTERNO DX	SUPPORT, RIGHT INTERNAL	SUPPORT INTERNE DROIT	HALTER, INNERE RECHTS	
10	22551575/ 0	2	PIASTRINA INTERNA	PLATE, INSIDE	PLAQUETTE INTERNE	PLATTE, INNERE	
11	12155000/ 0	2	DADO	NUT	ECROU	MUTTER	
12	12691810/ 0	2	VITE	SCREW	VIS	SCHRAUBE	
13	22785083/ 1	1	SUPPORTO INTERNO SX	SUPPORT, LEFT INTERNAL	SUPPORT INTERNE GAUCHE	HALTER, INNERE LINKS	
14	22450420/ 1	1	MOLLA SX	LEFT SPRING	RESSORT GAUCHE	LINKE FEDER	
15	22517906/ 1	1	PERNO	PIN	PIVOT	BOLZEN	
16	22600063/ 0	1	PARASASSI	STONE-GUARD	PARE-PIERRES	PRALLBLECH	
17	12000930/ 0	1	ANELLO ELASTICO	SNAP RING	ANNEAU RESSORT	SPRENGRING	
18	22450410/ 1	1	MOLLA DX	RIGHT-SPRING	RESSORT DROITE	RECHTE FEDER	
19	81006975/ 0	2	MANICO, PARTE INFERIORE	HANDLE, LOWER PART	MANCHERON, PARTIE INFÉRIEURE	HOLM, UNTERTEIL	
20	12819125/ 0	2	VITE	SCREW	VIS	SCHRAUBE	
21	22680006/ 1	2	RONDELLA	WASHER	RONDELLE	SCHIBE	

1

2

3

4

5

6

22	18566112/ 0	2	PUNTALE	CAP	BOUCHON	GUMMISTOPFEN		H 350
23	22192000/ 1	1	FASCETTA ANCORAGGIO	ANCHOR CLAMP	COLLIER ANCRAGE	BOWDENZUGHALTER		K 350
24	18710628/ 0	1	SALVAMOTORE	DEAD HAND SWITCH	INT. MAIN MORTE	TOT MANDCHALTER	M.M. 10 A MOD 607 MS	K 390
-	18710572/ 0	1	SALVAMOTORE	DEAD HAND SWITCH	INT. MAIN MORTE	TOT MANDCHALTER	MM. 10A 603 MS (1600W) ONLY FOR SWITZERLAND	C 350
-	18710562/ 0	1	SALVAMOTORE	DEAD HAND SWITCH	INT. MAIN MORTE	TOT MANDCHALTER	MM. 8,5A MOD 602 MS	C 390
-	18710563/ 0	1	SALVAMOTORE	DEAD HAND SWITCH	INT. MAIN MORTE	TOT MANDCHALTER	MM. 8,5A MOD 603 MS	NG 410 / 410 S
-	18710624/ 1	1	SALVAMOTORE	DEAD HAND SWITCH	INT. MAIN MORTE	TOT MANDCHALTER	MM. 8,5A MOD 607 MS	NG 460
-	18710604/ 0	1	SALVAMOTORE	DEAD HAND SWITCH	INT. MAIN MORTE	TOT MANDCHALTER	MM. 10A 602 MS (1600W)	NG 414
25	22195101/ 1	1	FERMACAVO	FAIRLEAD	FIXATION CABLE	KABELBEFESTIGUNG		NG 464
26	81007037/ 0	1	MANICO, PARTE SUPERIORE	HANDLE, UPPER PART	MANCHERON, PARTIE SUPERIEURE	HOLM, OBERTEIL		NG 464 TR
27	22192151/ 0	1	FERMACAVO	FAIRLEAD	FIXATION CABLE	KABELBEFESTIGUNG		NG 464 TR-E
-	81008632/ 0		DOTAZIONE VITERIA	OUTFIT, SCREWS	DOTATION VISSERIE	SATZ, SCHRAUBEN		NG 504
								NG 504 TR
								NG 504 TR-E
								R 430 / 430 S
								R 480
								R 430 TR
								R 434
								R 484
								R 534
								R 484 TR / TR-E
								R 534 TR / TR-E
								RL 430 / 430 S
								RL 480
								RL 430 TR
								RL 434
								RL 484
								RL 534
								RL 484 TR
								RL 484 TR-E
								RL 534 TR
								RL 534 TR-E
								TD 430 / 430 S
								TD 480
								TD 430 TR
								TD 434
								TD 484
								TD 534
								TD 484 TR
								TD 484 TR-E
								TD 534 TR
								TD 534 TR-E
								TDL 430 / 430 S
								TDL 480
								TDL 430 TR
								TDL 434
								TDL 484
								TDL 534
								TDL 484 TR
								TDL 484 TR-E
								TDL 534 TR
								TDL 534 TR-E
								CA 430
								CA 480
								CA 434
								CA 484
								CA 534
								CA 430 TR
								CA 434 TR
								CA 484 TR / TR-E
								CA 534 TR / TR-E
								CAL 430
								CAL 480
								CAL 434
								CAL 484
								CAL 534
								CAL 430 TR
								CAL 434 TR
								CAL 484 TR / TR-E
								CAL 534 TR / TR-E
								T 430 / 430 S
								T 480
								T 434
								T 484
								T 484 TR
								T 484 TR-E
								PAN 504
								PAN 504 TR
								PAN 504 TR-E
								PAN 504 TR-E 3S
								PAN 504 TR 3S
								NP 534
								NP 534 TR
								NP 534 TR-E
								NP 534 TR 3S
								NP 534 TR-E 3S
								S 474 L

1

2

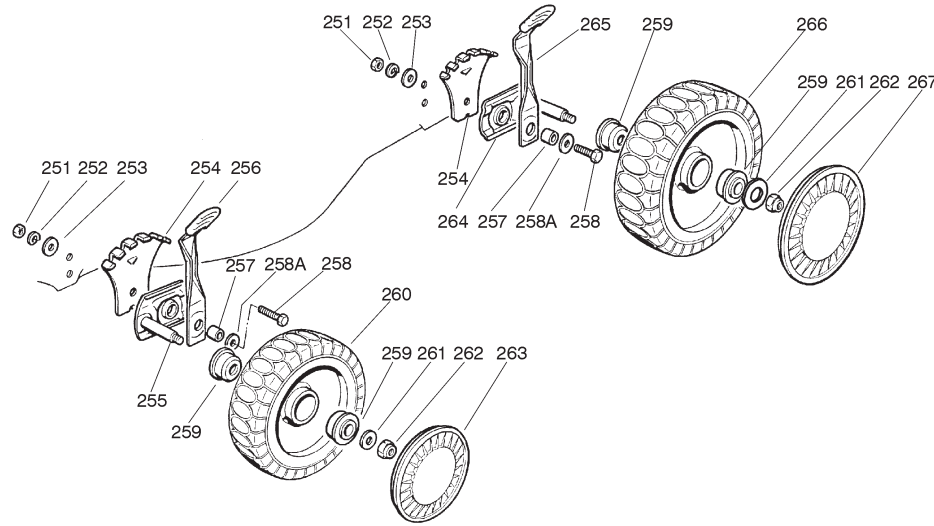
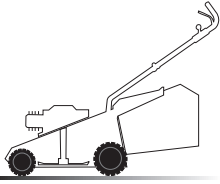
3

4

5

6

2



- H 350
- K 350
- K 390
- C 350
- C 390
- NG 410 / 410 S
- NG 460
- NG 414
- NG 464
- NG 464 TR
- NG 464 TR-E
- NG 504
- NG 504 TR
- NG 504 TR-E
- R 430 / 430 S
- R 480
- R 430 TR
- R 434
- R 484
- R 534
- R 484 TR / TR-E
- R 534 TR / TR-E
- RL 430 / 430 S
- RL 480
- RL 430 TR
- RL 434
- RL 484
- RL 534
- RL 484 TR
- RL 484 TR-E
- RL 534 TR
- RL 534 TR-E
- TD 430 / 430 S
- TD 480
- TD 430 TR
- TD 434
- TD 484
- TD 534
- TD 484 TR
- TD 484 TR-E
- TD 534 TR
- TD 534 TR-E
- TDL 430 / 430 S
- TDL 480
- TDL 430 TR
- TDL 434
- TDL 484
- TDL 534
- TDL 484 TR
- TDL 484 TR-E
- TDL 534 TR
- TDL 534 TR-E
- CA 430
- CA 480
- CA 434
- CA 484
- CA 534
- CA 430 TR
- CA 434 TR
- CA 484 TR / TR-E
- CA 534 TR / TR-E
- CAL 430
- CAL 480
- CAL 434
- CAL 484
- CAL 534
- CAL 430 TR
- CAL 434 TR
- CAL 484 TR / TR-E
- CAL 534 TR / TR-E
- T 430 / 430 S
- T 480
- T 434
- T 484
- T 484 TR
- T 484 TR-E
- PAN 504
- PAN 504 TR
- PAN 504 TR-E
- PAN 504 TR-E 3S
- PAN 504 TR 3S
- NP 534
- NP 534 TR
- NP 534 TR-E
- NP 534 TR 3S
- NP 534 TR-E 3S
- S 474 L

02T.016

Pos	Code	Q.ty	Descrizione	Description	Description	Beshreibung
251	12293200/ 0	4	DADO	NUT	ECROU	MUTTER
252	12583500/ 0	4	GROWER	GROWER	GROWER	FEDERRING
253	12523070/ 0	4	RONDELLA	WASHER	RONDELLE	SCHEIBE
254	22735547/ 0	4	SETTORE REGOLAZIONE	SECTOR, HEIGHT	SECTEUR REGLAGE	SEKTOR,
			ALTEZZA	ADJUSTMENT	HAUTEUR	HÖHEVERSTELLUNG
255	81005082/ 0	2	SUPPORTO RUOTA	SUPPORT, WHEEL	SUPPORT ROUE	HALTER, RAD
256	81003285/ 1	2	LEVA REGOLAZIONE ALTEZZA	LEVER, HEIGHT ADJUSTMENT	LEVIER, REGLAGE HAUTEUR	HEBEL, HÖHEVERSTELLUNG
257	22171001/ 0	4	DISTANZIALE	SPACER	ENTRETOISE	DISTANZRING
258	12793701/ 0	4	VITE	SCREW	VIS	SCHRAUDE
258A	12521350/ 0	4	RONDELLA	WASHER	RONDELLE	SCHEIBE
259	22034508/ 0	8	BUSSOLA	BUSH	DOUILLE	BUCHSE
260	81007336/ 0	2	RUOTA SCOLPITA Ø 170	WHEEL, KNOBBLY Ø 170	ROUE SCULPTEE Ø 170	RAD M. STOLLENPR. Ø 170
261	12523060/ 0	4	RONDELLA	WASHER	RONDELLE	SCHEIBE
262	12155000/ 0	4	DADO	NUT	ECROU	MUTTER
263	22110288/ 0	2	COPRIMOZZO GIALLO	HUB CAP YELLOW	COUVRE-MOYEU JAUNE	RADKAPPE GELBE
-	22110282/ 0	2	COPRIMOZZO BIANCO	HUB CAP WHITE	COUVRE-MOYEU BLANC	RADKAPPE WEIßE
-	22110290/ 1	2	COPRIMOZZO ROSSO	HUB CAP RED	COUVRE-MOYEU ROUGE	RADKAPPE ROTE
-	22110300/ 0	2	COPRIMOZZO GRIGIO	HUB CAP GREY	COUVRE-MOYEU GRIS	RADKAPPE GRAU
264	81005084/ 0	2	SUPPORTO RUOTA	SUPPORT, WHEEL	SUPPORT ROUE	HALTER, RAD
265	81003286/ 0	2	LEVA REGOLAZIONE ALTEZZA	LEVER, HEIGHT ADJUSTMENT	LEVIER, REGLAGE HAUTEUR	HEBEL, HÖHEVERSTELLUNG
266	81007337/ 0	2	RUOTA SCOLPITA Ø 210	WHEEL, KNOBBLY Ø 210	ROUE SCULPTEE Ø 210	RAD M. STOLLENPR. Ø 210
267	22110287/ 0	2	COPRIMOZZO GIALLO	HUB CAP YELLOW	COUVRE-MOYEU JAUNE	RADKAPPE GELBE
-	22110281/ 0	2	COPRIMOZZO BIANCO	HUB CAP WHITE	COUVRE-MOYEU BLANC	RADKAPPE WEIßE
-	22110289/ 0	2	COPRIMOZZO ROSSO	HUB CAP RED	COUVRE-MOYEU ROUGE	RADKAPPE ROTE
-	22110301/ 0	2	COPRIMOZZO GRIGIO	HUB CAP GREY	COUVRE-MOYEU GRIS	RADKAPPE GRAU

1

2

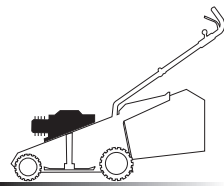
3

4

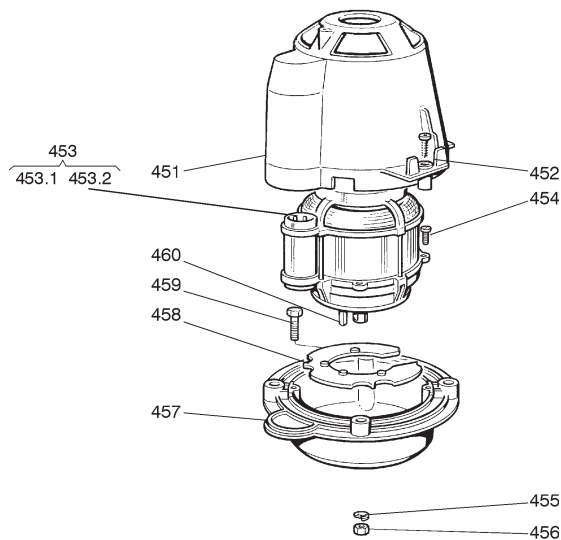
5

6

4



04D.001



04T.001

Pos	Code	Q.ty	Descrizione	Description	Description	Beschreibung
451	22785061/ 0	1	SUPPORTO CAPOTTINA	SUPPORT, COVER	SUPPORT CAPOT	HALTER, HAUBE
452	12728710/ 0	4	VITE	SCREW	VIS	SCHRAUBE
453	18563008/ 0	1	MOTORE RST 1300W (220-230V)	MOTOR RST 1300W (220-230V)	MOTEUR RST 1300W (220-230V)	MOTOR RST 1300W (220-230V)
-	18563009/ 0	1	MOTORE RST 1600W (230V)	MOTOR RST 1600W (230V)	MOTEUR RST 1600W (230V)	MOTOR RST 1600W (230V)
-	18563047/ 2	1	MOTORE IBMEI 1600W (240V)	MOTOR IBMEI 1600W (240V)	MOTEUR IBMEI 1600W(240V)	MOTOR IBMEI 1600W (240V)
-	18563061/ 2	1	MOTORE IBMEI 1600W (230V)	MOTOR IBMEI 1600W (230V)	MOTEUR IBMEI 1600W (230V)	MOTOR IBMEI 1600W (230V)
-	18563068/ 1	1	MOTORE IBMEI 1300W (230V)	MOTOR IBMEI 1300W (230V)	MOTEUR IBMEI 1300W (230V)	MOTOR IBMEI 1300W (230V)
-	18563069/ 1	1	MOTORE IBMEI 1300W (240V)	MOTOR IBMEI 1300W (240V)	MOTEUR IBMEI 1300W (240V)	MOTOR IBMEI 1300W (240V)
453.1	18740049/ 0	1	VENTOLA PER MOTORE IBMEI	FAN IBMEI MOTOR	VENTILATEUR IBMEI MOTEUR	LÜFTER IBMEI MOTOR
-	18740051/ 0	1	VENTOLA PER MOTORE RST	FAN RST MOTOR	VENTILATEUR RST MOTEUR	LÜFTER RST MOTOR
453.2	18222037/ 0	1	CONDENSATORE 16 µF	CONDENSER 16 µF	CONDENSEUR 16 µF	KONDENSATOR 16 µF
-	18222038/ 0	1	CONDENSATORE 20 µF	CONDENSER 20 µF	CONDENSEUR 20 µF	KONDENSATOR 20 µF
454	12735410/ 0	4	VITE	SCREW	VIS	SCHRAUBE
455	12583500/ 0	4	GROWER	GROWER	GROWER	FEDERRING
456	12293200/ 0	4	DADO	NUT	ECROU	MÜTTER
457	22207211/ 3	1	FLANGIA	FLANGE	BRIDE	FLANSCH
458	22720360/ 1	1	SCHERMO VENTILAZIONE	VENTILATION SCREEN	ECRAN VENTILATION	LÜFTUNGSSCHIRM
459	12793700/ 0	4	VITE (M8x30)	SCREW (M8x30)	VIS (M8x30)	SCHRAUBE (M8x30)
460	12139440/ 0	1	LINGUETTA	FEATHER	CLAVETTE	KEIL

- H 350
- K 350
- K 390
- C 350
- C 390
- NG 410 / 410 S
- NG 460
- NG 414
- NG 464
- NG 464 TR
- NG 464 TR-E
- NG 504
- NG 504 TR
- NG 504 TR-E
- R 430 / 430 S
- R 480
- R 430 TR
- R 434
- R 484
- R 534
- R 484 TR / TR-E
- R 534 TR / TR-E
- RL 430 / 430 S
- RL 480
- RL 430 TR
- RL 434
- RL 484
- RL 534
- RL 484 TR
- RL 484 TR-E
- RL 534 TR
- RL 534 TR-E
- TD 430 / 430 S
- TD 480
- TD 430 TR
- TD 434
- TD 484
- TD 534
- TD 484 TR
- TD 484 TR-E
- TD 534 TR
- TD 534 TR-E
- TDL 430 / 430 S
- TDL 480
- TDL 430 TR
- TDL 434
- TDL 484
- TDL 534
- TDL 484 TR
- TDL 484 TR-E
- TDL 534 TR
- TDL 534 TR-E
- CA 430
- CA 480
- CA 434
- CA 484
- CA 534
- CA 430 TR
- CA 434 TR
- CA 484 TR / TR-E
- CA 534 TR / TR-E
- CAL 430
- CAL 480
- CAL 434
- CAL 484
- CAL 534
- CAL 430 TR
- CAL 434 TR
- CAL 484 TR / TR-E
- CAL 534 TR / TR-E
- T 430 / 430 S
- T 480
- T 434
- T 484
- T 484 TR
- T 484 TR-E
- PAN 504
- PAN 504 TR
- PAN 504 TR-E
- PAN 504 TR-E 3S
- PAN 504 TR 3S
- NP 534
- NP 534 TR
- NP 534 TR-E
- NP 534 TR 3S
- NP 534 TR-E 3S
- S 474 L

1

2

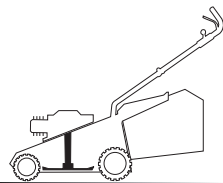
3

4

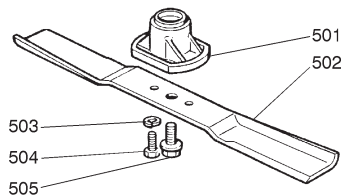
5

6

5



06D.001



05T.013

Pos	Code	Q.ty	Descrizione	Description	Description	Beschreibung	
501	22463186/2	1	MOZZO	HUB	MOYEU	HALTER	
502	81004396/0	1	COLTELLO ALETTATO	BLADE WINGED	LAME AILETTÉE	MESSER FLÜGEL	41 cm
-	81004341/2	1	COLTELLO STANDARD	BLADE STANDARD	LAME STANDARD	MESSER STANDARD	41 cm
-	81004397/0	1	COLTELLO ALETTATO	BLADE WINGED	LAME AILETTÉE	MESSER FLÜGEL	46 cm
-	81004346/2	1	COLTELLO STANDARD	BLADE STANDARD	LAME STANDARD	MESSER STANDARD	46 cm
503	12583500/0	2	GROWER	GROWER	GROWER	FEDERING	
504	12793101/0	2	VITE	SCREW	VIS	SCHRAUBE	
505	81004352/0	1	VITE	SCREW	VIS	SCHRAUBE	

- H 350
- K 350
- K 390
- C 350
- C 390
- NG 410 / 410 S
- NG 460
- NG 414
- NG 464
- NG 464 TR
- NG 464 TR-E
- NG 504
- NG 504 TR
- NG 504 TR-E
- R 430 / 430 S
- R 480
- R 430 TR
- R 434
- R 484
- R 534
- R 484 TR / TR-E
- R 534 TR / TR-E
- RL 430 / 430 S
- RL 480
- RL 430 TR
- RL 434
- RL 484
- RL 534
- RL 484 TR
- RL 484 TR-E
- RL 534 TR
- RL 534 TR-E
- TD 430 / 430 S
- TD 480
- TD 430 TR
- TD 434
- TD 484
- TD 534
- TD 484 TR
- TD 484 TR-E
- TD 534 TR
- TD 534 TR-E
- TDL 430 / 430 S
- TDL 480
- TDL 430 TR
- TDL 434
- TDL 484
- TDL 534
- TDL 484 TR
- TDL 484 TR-E
- TDL 534 TR
- TDL 534 TR-E
- CA 430
- CA 480
- CA 434
- CA 484
- CA 534
- CA 430 TR
- CA 434 TR
- CA 484 TR / TR-E
- CA 534 TR / TR-E
- CAL 430
- CAL 480
- CAL 434
- CAL 484
- CAL 534
- CAL 430 TR
- CAL 434 TR
- CAL 484 TR / TR-E
- CAL 534 TR / TR-E
- T 430 / 430 S
- T 480
- T 434
- T 484
- T 484 TR
- T 484 TR-E
- PAN 504
- PAN 504 TR
- PAN 504 TR-E
- PAN 504 TR-E 3S
- PAN 504 TR 3S
- NP 534
- NP 534 TR
- NP 534 TR-E
- NP 534 TR 3S
- NP 534 TR-E 3S
- S 474 L

1

2

3

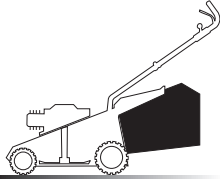
4

5

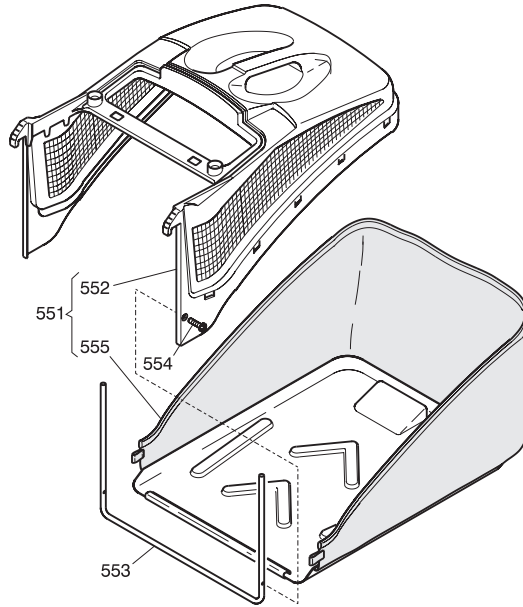
6



6



06D.003



06T.003

Pos	Code	Q.ty	Descrizione	Description	Description	Beschreibung
551	91000010/0	1	SACCO COMPLETO	GRASS-BOX, COMPLETE	BAC COMPLET	KORB, KOMPLETTE
552	22486086/0	1	SACCO, PARTE SUPERIORE	GRASS-BOX, UPPER PART	SAC, PARTIE SUPERIEURE	KORB, OBERTEIL
553	22608523/1	1	RINFORZO INFERIORE	STIFFENING LOWER	RÉNFORCEMENT INFÉRIEUR	VERSTÄRKUNG UNTERE
554	12728445/0	1	VITE	SCREW	VIS	SCHRAUBE
555	81002180/0	1	SACCO, TELA	BOX, FABRIC	SAC, TOILE	SACK, TUCK

- H 350
- K 350
- K 390
- C 350
- C 390
- NG 410 / 410 S
- NG 460
- NG 414
- NG 464
- NG 464 TR
- NG 464 TR-E
- NG 504
- NG 504 TR
- NG 504 TR-E
- R 430 / 430 S
- R 480
- R 430 TR
- R 434
- R 484
- R 534
- R 484 TR / TR-E
- R 534 TR / TR-E
- RL 430 / 430 S
- RL 480
- RL 430 TR
- RL 434
- RL 484
- RL 534
- RL 484 TR
- RL 484 TR-E
- RL 534 TR
- RL 534 TR-E
- TD 430 / 430 S
- TD 480
- TD 430 TR
- TD 434
- TD 484
- TD 534
- TD 484 TR
- TD 484 TR-E
- TD 534 TR
- TD 534 TR-E
- TDL 430 / 430 S
- TDL 480
- TDL 430 TR
- TDL 434
- TDL 484
- TDL 534
- TDL 484 TR
- TDL 484 TR-E
- TDL 534 TR
- TDL 534 TR-E
- CA 430
- CA 480
- CA 434
- CA 484
- CA 534
- CA 430 TR
- CA 434 TR
- CA 484 TR / TR-E
- CA 534 TR / TR-E
- CAL 430
- CAL 480
- CAL 434
- CAL 484
- CAL 534
- CAL 430 TR
- CAL 434 TR
- CAL 484 TR / TR-E
- CAL 534 TR / TR-E
- T 430 / 430 S
- T 480
- T 434
- T 484
- T 484 TR
- T 484 TR-E
- PAN 504
- PAN 504 TR
- PAN 504 TR-E
- PAN 504 TR-E 3S
- PAN 504 TR 3S
- NP 534
- NP 534 TR
- NP 534 TR-E
- NP 534 TR 3S
- NP 534 TR-E 3S
- S 474 L

1

2

3

4

5

6