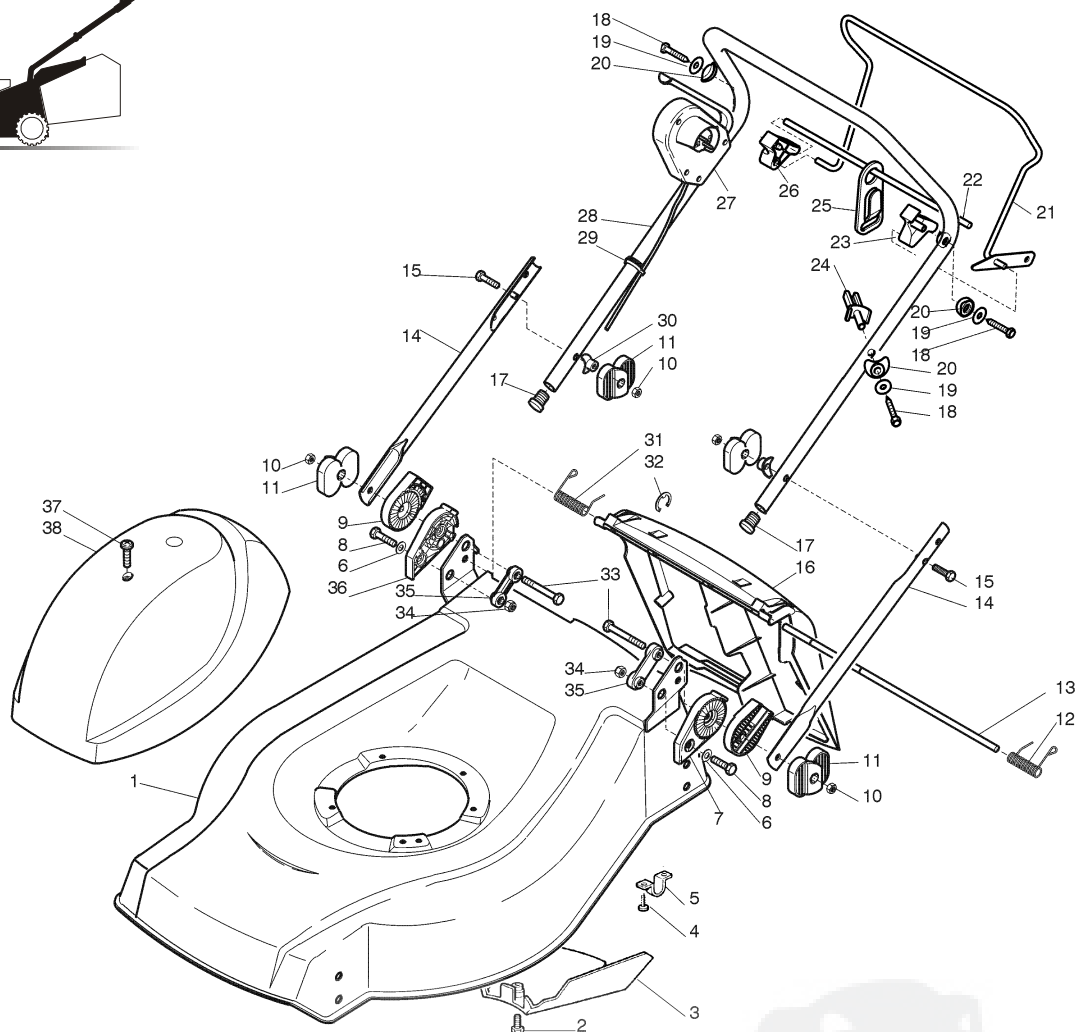


01D\_CAL430TR



01T.052

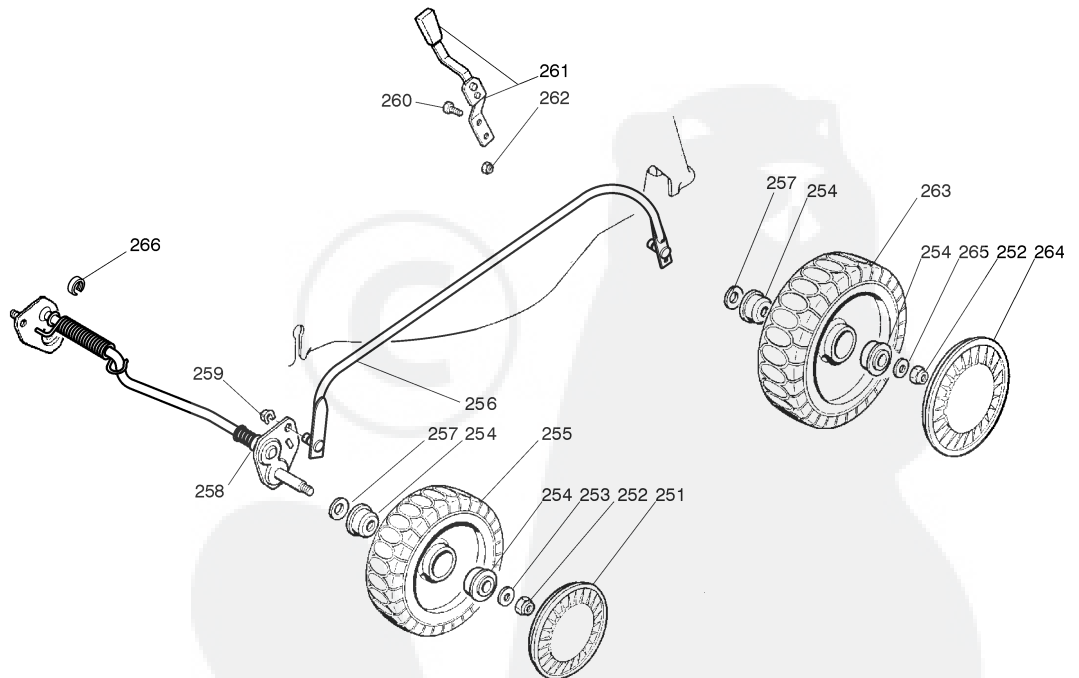
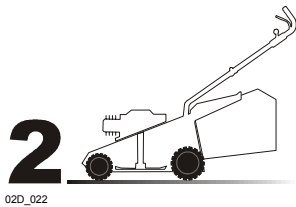
| Pos. | Code       | Q.ty | Descrizione         | Description         | Description                  | Beschreibung     | Remarks |
|------|------------|------|---------------------|---------------------|------------------------------|------------------|---------|
| 1    | 81001901/0 | 1    | CHASSIS ROSSO       | DECK RED            | CHÂSSIS ROUGE                | GEHÄUSE ROTES    |         |
| -    | 81001902/0 | 1    | CHASSIS GIALLO      | DECK YELLOW         | CHÂSSIS JAUNE                | GEHÄUSE GELBES   |         |
| -    | 81001903/0 | 1    | CHASSIS VERDE       | DECK GREEN          | CHÂSSIS VERT                 | GEHÄUSE GRÜNES   |         |
| 2    | 12727791/0 | 1    | VITE                | SCREW               | VIS                          | SCHRAUBE         |         |
| 3    | 22060191/1 | 1    | CARTER CINGHIA      | PROTECTION, BELT    | PROTECTION COURROIRE         | SCHUTZ, RIEMEN   |         |
| 4    | 12731350/0 | 4    | VITE                | SCREW               | VIS                          | SCHRAUBE         |         |
| 5    | 22545152/0 | 2    | PIASTRINA           | PLATE               | PLAQUETTE                    | PLATTE           |         |
| 6    | 12521350/0 | 2    | RONDELLA            | WASHER              | RONDELLE                     | SCHEIBE          |         |
| 7    | 22785083/1 | 1    | SUPPORTO INTERNO SX | SUPPORT, L INTERNAL | SUPPORT INTERNE G            | HALTER, INNERE L |         |
| 8    | 12793701/0 | 2    | VITE                | SCREW               | VIS                          | SCHRAUBE         |         |
| 9    | 22785081/0 | 2    | SUPPORTO ESTERNO    | SUPPORT, EXTERNAL   | SUPPORT EXTERNE              | HALTER, AUßERE   |         |
| 10   | 12293202/0 | 4    | DADO                | NUT                 | ECROU                        | MUTTER           |         |
| 11   | 22399803/0 | 4    | MANOPOLINA          | KNOB                | POIGNÉE                      | GRIFF            |         |
| 12   | 22450420/1 | 1    | MOLLA SX            | L SPRING            | RESSORT G                    | LINKE FEDER      |         |
| 13   | 22517906/1 | 1    | PERNO               | PIN                 | PIVOT                        | BOLZEN           |         |
| 14   | 81006975/0 | 2    | MANICO, PARTE INF   | HANDLE, LOWER PART  | MANCHERON, PARTIE INFÉRIEURE | HOLM, UNTERTEIL  |         |
| 15   | 12819125/0 | 2    | VITE                | SCREW               | VIS                          | SCHRAUBE         |         |
| 16   | 22600063/1 | 1    | PARASASSI           | STONE-GUARD         | PARE-PIERRES                 | PRALLBLECH       |         |
| 17   | 18566112/0 | 2    | PUNTALE             | CAP                 | BOUCHON                      | GUMMISTOPFEN     |         |
| 18   | 12735103/0 | 3    | VITE                | SCREW               | VIS                          | SCHRAUBE         |         |
| 19   | 12523040/0 | 3    | RONDELLA            | WASHER              | RONDELLE                     | SCHEIBE          |         |
| 20   | 22680006/1 | 3    | RONDELLA            | WASHER              | RONDELLE                     | SCHEIBE          |         |



## GLOBAL GARDEN PRODUCTS

01T.052

| Pos. | Code       | Q.ty | Descrizione                       | Description                                    | Description                                | Beshreibung                               | Remarks                  |
|------|------------|------|-----------------------------------|--|--|---|--------------------------|
| 21   | 81001245/0 | 1    | LEVA TRAZIONE                     | DRIVING LEVER                                  | LEVIER TRACTION                            | ANTRIEBHEBEL                              |                          |
| 22   | 22020320/0 | 1    | AGGANCIO FERMACAVO                | FAIRLEAD BEARING                               | SUPPORT SERRECABLE                         | KABELHALTER                               |                          |
| 23   | 22806519/0 | 1    | SUPPORTO SX                       | SUPPORT, L                                     | SUPPORT G                                  | HALTER, LINKER                            |                          |
| 24   | 22806520/0 | 1    | SUPPORTO REGISTRO                 | SUPPORT, ADJUSTER                              | SUPPORT ECROU REG.                         | HALTER, REGLER                            |                          |
| 25   | 22195101/2 | 1    | FERMACAVO                         | FAIRLEAD                                       | FIXATION CABLE                             | KABELBEFESTIGUNG                          |                          |
| 26   | 22806518/0 | 1    | SUPPORTO DX                       | SUPPORT, R                                     | SUPPORT D                                  | HALTER, RECHTER                           |                          |
| 27   | 18710604/0 | 1    | SALVAMOTORE                       | DEAD HAND SWITCH                               | INT. MAIN MORTE                            | TOT MANSCHALTER                           | 10A 602 MS               |
| -    | 18710572/0 | 1    | SALVAMOTORE                       | DEAD HAND SWITCH                               | INT. MAIN MORTE                            | TOT MANSCHALTER                           | 10A 603 MS (ONLY FOR CH) |
| -    | 18710634/0 | 1    | SALVAMOTORE - SENZA PROT. TERMICA | DEAD HAND SWITCH - WITHOUT OVERLOAD PROTECTION | INT. MAIN MORTE - SANS PROTECTION TERMIQUE | TOT MANSCHALTER - OHNE THERMISCHER SCHUTZ | 602 MS                   |
| -    | 18710627/1 | 1    | SALVAMOTORE - SENZA PROT. TERMICA | DEAD HAND SWITCH - WITHOUT OVERLOAD PROTECTION | INT. MAIN MORTE - SANS PROTECTION TERMIQUE | TOT MANSCHALTER - OHNE THERMISCHER SCHUTZ | 603 MS (ONLY FOR CH)     |
| 28   | 81007038/0 | 1    | MANICO, PARTE SUP                 | HANDLE, UPPER PART                             | MANCHERON, PARTIE SUPERIEURE               | HOLM, OBERTEIL                            |                          |
| 29   | 22192000/1 | 1    | FASCETTA ANCORAGGIO               | ANCHOR CLAMP                                   | COLLIER ANCRAGE                            | BOWDENZUGHALTER                           |                          |
| 30   | 22680006/1 | 2    | RONDELLA                          | WASHER   | RONDELLE                                   | SCHEIBE                                   |                          |
| 31   | 22450410/1 | 1    | MOLLA DX                          | R SPRING                                       | RESSORT D                                  | RECHTE FEDER                              |                          |
| 32   | 12000930/0 | 1    | ANELLO ELASTICO                   | SNAP RING                                      | ANNEAU RESSORT                             | SPRENGRING                                |                          |
| 33   | 12691810/0 | 2    | VITE                              | SCREW  | VIS  | SCHRAUBE                                  |                          |
| 34   | 12155000/0 | 2    | DADO                              | NUT  | ECROU                                      | MUTTER                                    |                          |
| 35   | 22551575/0 | 2    | PIASTRINA INTERNA                 | PLATE, INSIDE                                  | PLAQUETTE INTERNE                          | PLATTE, INNERE                            |                          |
| 36   | 22785082/0 | 1    | SUPPORTO INTERNO DX               | SUPPORT, R INTERNAL                            | SUPPORT INTERNE D                          | HALTER, INNERE R                          |                          |
| 37   | 12728680/0 | 2    | VITE                              | SCREW  | VIS  | SCHRAUBE                                  |                          |
| 38   | 22055058/0 | 1    | CAPOTTINA                         | COVER  | CAPOT                                      | HAUBE                                     |                          |
| -    | 81008632/0 | 1    | DOTAZIONE VITERIA                 | OUTFIT, SCREWS                                 | DOTATION VISSERIE                          | SATZ, SCHRAUBEN                           |                          |



02T.030

| Pos. | Code       | Q.ty | Descrizione       | Description    | Description        | Beshreibung    | Remarks |
|------|------------|------|-------------------|----------------|--------------------|----------------|---------|
| 251  | 22110282/0 | 2    | COPRIMOZZO BIANCO | HUB CAP WHITE  | COUVRE-MOYEU BLANC | RADKAPPE WEIßE |         |
| -    | 22110288/0 | 2    | COPRIMOZZO GIALLO | HUB CAP YELLOW | COUVRE-MOYEU JAUNE | RADKAPPE GELBE |         |
| -    | 22110290/0 | 2    | COPRIMOZZO ROSSO  | HUB CAP RED    | COUVRE-MOYEU ROUGE | RADKAPPE ROTE  |         |
| -    | 22110300/0 | 2    | COPRIMOZZO GRIGIO | HUB CAP GREY   | COUVRE-MOYEU GRIS  | RADKAPPE GRAU  |         |
| 252  | 12155000/0 | 4    | DADO              | NUT            | ECROU              | MUTTER         |         |
| 253  | 12521350/0 | 2    | RONDELLA          | WASHER         | RONDELLE           | SCHEIBE        |         |
| 254  | 22122200/0 | 8    | CUSCINETTO        | BEARING        | COUSSINET          | LAGER          |         |

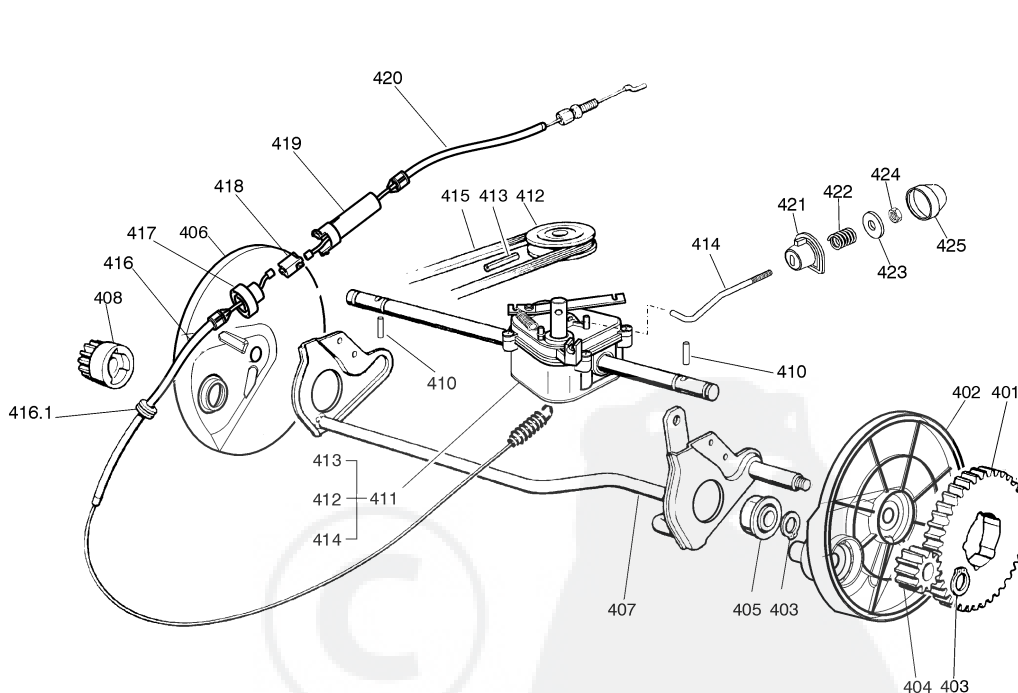


02T.030

| Pos. | Code       | Q.ty | Descrizione                 | Description                    | Description                   | Beschreibung            | Remarks |
|------|------------|------|-----------------------------|--------------------------------|-------------------------------|-------------------------|---------|
| 255  | 81007336/0 | 2    | RUOTA SCOLPITA Ø 170        | WHEEL, KNOBBLY Ø 170           | ROUE SCULPTEE Ø 170           | RAD M. STOLLENPR. Ø 170 |         |
| 256  | 81006481/1 | 1    | ASTA COMANDO REGOL. ALTEZZA | ROD, HEIGHT ADJUSTMENT CONTROL | TIGE COMMANDE REGLAGE HAUTEUR | STANGE, HÖHEVERSTELLUNG |         |
| 257  | 12530150/0 | 4    | RONDELLA ELASTICA           | ELASTIC WASHER                 | RONDELLE ELASTIQUE            | ELASTISCHE SCHEIBE      |         |
| 258  | 81000145/0 | 1    | ASSE RUOTE ANTERIORE        | AXLE, FRONT WHEELS             | AXE ROUES AVANT               | ACHSE, VORDERRAD        |         |
| 259  | 12436050/0 | 2    | PIASTRINA                   | PLATE                          | PLAQUETTE                     | PLÄTTCHEN               |         |
| 260  | 12789000/0 | 2    | VITE                        | SCREW                          | VIS                           | SCHRAUBE                |         |
| 261  | 81003283/1 | 1    | LEVA REGOLAZIONE ALTEZZA    | LEVER, HEIGHT ADJUSTMENT       | LEVIER, REGLAGE HAUTEUR       | HEBEL, HÖHEVERSTELLUNG  |         |
| 262  | 12154330/0 | 2    | DADO                        | NUT                            | ECROU                         | MUTTER                  |         |
| 263  | 81007337/0 | 2    | RUOTA SCOLPITA Ø 210        | WHEEL, KNOBBLY Ø 210           | ROUE SCULPTEE Ø 210           | RAD M. STOLLENPR. Ø 210 |         |
| 264  | 22110281/0 | 2    | COPRIMOZZO BIANCO           | HUB CAP WHITE                  | COUVRE-MOYEU BLANC            | RADKAPPE WEIßE          |         |
| -    | 22110287/0 | 2    | COPRIMOZZO GIALLO           | HUB CAP YELLOW                 | COUVRE-MOYEU JAUNE            | RADKAPPE GELBE          |         |
| -    | 22110289/0 | 2    | COPRIMOZZO ROSSO            | HUB CAP RED                    | COUVRE-MOYEU ROUGE            | RADKAPPE ROTE           |         |
| -    | 22110301/0 | 2    | COPRIMOZZO GRIGIO           | HUB CAP GREY                   | COUVRE-MOYEU GRIS             | RADKAPPE GRAU           |         |
| 265  | 12530150/0 | 2    | RONDELLA ELASTICA           | ELASTIC WASHER                 | RONDELLE ELASTIQUE            | ELASTISCHE SCHEIBE      |         |
| 266  | 22171002/0 | 1    | DISTANZIALE                 | SPACER                         | ENTRETOISE                    | DISTANZRING             |         |

3

03D\_002



03T.002

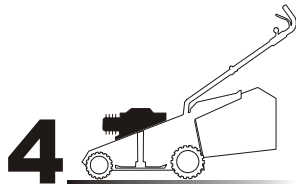
| Pos. | Code       | Q.ty | Descrizione              | Description         | Description            | Beschreibung          | Remarks             |
|------|------------|------|--------------------------|---------------------|------------------------|-----------------------|---------------------|
| 401  | 22120105/1 | 2    | CORONA                   | RING GEAR           | COURONNE               | KRANZ                 |                     |
| 402  | 22600093/0 | 1    | PROT. RUOTE SX           | PROTECTION, L WHEEL | PROTECTION ROUE G      | SCHÜTZ, LINKES RÄDER  |                     |
| 403  | 12608600/0 | 4    | SEEGER                   | SEEGER              | SEEGER                 | SEEGER                |                     |
| 404  | 22570120/1 | 1    | PIGNONE SX               | PINION L            | PIGNON G               | RITZEL LINKES         |                     |
| 405  | 19216035/0 | 2    | CUSCINETTO               | BEARING             | COUSSINET              | LAGER                 |                     |
| 406  | 22600092/0 | 1    | PROT. RUOTE DX           | PROTECTION, R WHEEL | PROTECTION ROUE D      | SCHÜTZ, RECHTES RÄDER |                     |
| 407  | 81000147/0 | 1    | ASSE RUOTE POSTERIORE    | AXLE, REAR WHEELS   | AXE ROUES ARRIERE      | ACHSE, HINTERRAD      |                     |
| 408  | 22570110/1 | 1    | PIGNONE DX               | PINION R            | PIGNON D               | RITZEL RECHTES        |                     |
| 410  | 22753000/0 | 2    | SPINA                    | PIN                 | GOUPILLE               | STIFT                 |                     |
| 411  | 81003072/1 | 1    | GRUPPO TRAZIONE (GRIGIO) | GEAR BOX (GREY)     | GROUPE TRACTION (GRIS) | ANTRIEB (GRAU)        | (BI. CI. DI.)       |
| -    | 81003059/2 | 1    | GRUPPO TRAZIONE          | GEAR BOX            | GROUPE TRACTION        | ANTRIEB               | (FRANCE REDUCTEURS) |
| 412  | 22601904/0 | 1    | PULEGGIA                 | PULLEY              | POULIE                 | RIEMENSCHLEIBE        |                     |
| 413  | 12645705/0 | 1    | SPINA                    | PIN                 | GOUPILLE               | STIFT                 |                     |



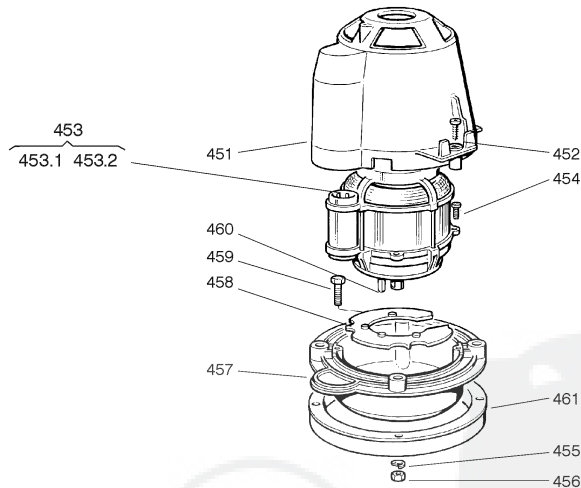
## GLOBAL GARDEN PRODUCTS

03T.002

| Pos.  | Code       | Q.ty | Descrizione               | Description             | Description                         | Beshreibung          | Remarks             |
|-------|------------|------|---------------------------|-------------------------|-------------------------------------|----------------------|---------------------|
| 414   | 22033280/0 | 1    | ASTA REGOLAZIONE          | ADJUSTMENT ROD          | TIGE REGLAGE                        | VERSTELLUNGSTANGE    |                     |
| 415   | 35063710/0 | 1    | CINGHIA Z 25              | BELT Z 25               | COURROIE Z 25                       | RIEMEN Z 25          |                     |
| 416   | 81001157/0 | 1    | CAVO COMANDO TRAZIONE INF | CABLE, REAR DRIVE LOWER | CÂBLE, COMMANDE TRACTION INFÉRIEURE | KABEL, ANTRIEB UNTER | (BI. CI. DI.)       |
| -     | 81001138/0 | 1    | CAVO COMANDO TRAZIONE INF | CABLE, REAR DRIVE LOWER | CÂBLE, COMMANDE TRACTION INFÉRIEURE | KABEL, ANTRIEB UNTER | (FRANCE REDUCTEURS) |
| 416.1 | 18564510/0 | 1    | PASSACAVO                 | FAIR LEAD               | PASSE CABLE                         | KABELDURCHGANG       | (BI. CI. DI.)       |
| 417   | 22246031/0 | 1    | GIUNZIONE INF             | LOWER JOINT             | CONNECTION INF                      | VERBINDUNG OBEN      |                     |
| 418   | 22042040/0 | 1    | BUSSOLA ISOLAMENTO        | ISOLATION COMPASS       | BOUSSOLE DE ISOLEMENT               | ABSONDERUNG KOMPAS   |                     |
| 419   | 22246030/0 | 1    | GIUNZIONE SUP             | UPPER JOINT             | CONNECTION SUP                      | VERBINDUNG UNTER     |                     |
| 420   | 81001150/0 | 1    | CAVO COMANDO TRAZIONE SUP | CABLE, REAR DRIVE UPPER | CÂBLE, COMMANDE TRACTION SUPÉRIEURE | KABEL, ANTRIEB OBER  |                     |
| 421   | 22041957/1 | 1    | BUSSOLA                   | BUSH                    | DOUILLE                             | BUCHSE               |                     |
| 422   | 22450063/0 | 1    | MOLLA                     | SPRING                  | RESSORT                             | FEDER                |                     |
| 423   | 22680009/0 | 1    | RONDELLA                  | WASHER                  | RONDELLE                            | SCHEIBE              |                     |
| 424   | 12154510/0 | 1    | DADO                      | NUT                     | ECROU                               | MUTTER               |                     |
| 425   | 22110230/0 | 1    | TAPPO                     | CAP                     | BOUCHON                             | GUMMISTOPFEN         |                     |



04D\_002



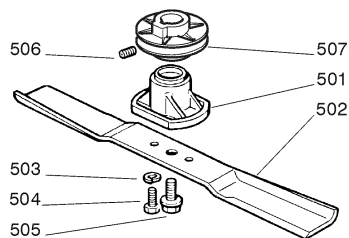
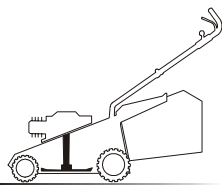
04T.002

| Pos.  | Code       | Q.ty | Descrizione            | Description        | Description            | Beshreibung       | Remarks      |
|-------|------------|------|------------------------|--------------------|------------------------|-------------------|--------------|
| 451   | 22785061/0 | 1    | SUPPORTO CAPOTTINA     | SUPPORT, COVER     | SUPPORT CAPOT          | HALTER, HAUBE     |              |
| 452   | 12728710/0 | 4    | VITE                   | SCREW              | VIS                    | SCHRAUBE          |              |
| 453   | 18563012/0 | 1    | MOTORE RST             | MOTOR RST          | MOTEUR RST             | MOTOR RST         | 230V (1600W) |
| 453.1 | 18740051/0 | 1    | VENTOLA PER MOTORE RST | FAN MOTOR RST      | VENTILATEUR MOTEUR RST | LÜFTER MOTOR RST  |              |
| 453.2 | 18222038/0 | 1    | CONDENSATORE 20 µF     | CONDENSER 20 µF    | CONDENSEUR 20 µF       | KONDENSATOR 20 µF |              |
| 454   | 12735410/0 | 4    | VITE                   | SCREW              | VIS                    | SCHRAUBE          |              |
| 455   | 12583500/0 | 4    | GROWER                 | GROWER             | GROWER                 | FEDERRING         |              |
| 456   | 12293200/0 | 4    | DADO                   | NUT                | ECROU                  | MUTTER            |              |
| 457   | 22207211/3 | 1    | FLANGIA                | FLANGE             | BRIDE                  | FLANSCH           |              |
| 458   | 22720360/1 | 1    | SCHERMO VENTILAZIONE   | VENTILATION SCREEN | ECRAN VENTILATION      | LÜFTUNGSSCHIRM    |              |
| 459   | 12691800/0 | 4    | VITE                   | SCREW              | VIS                    | SCHRAUBE          |              |
| 460   | 12139440/0 | 1    | LINGUETTA              | FEATHER            | CLAVETTE               | KEIL              |              |
| 461   | 81003471/0 | 1    | DISTANZIALE            | SPACER             | ENTRETOISE             | DISTANZRING       |              |



5

05D\_004

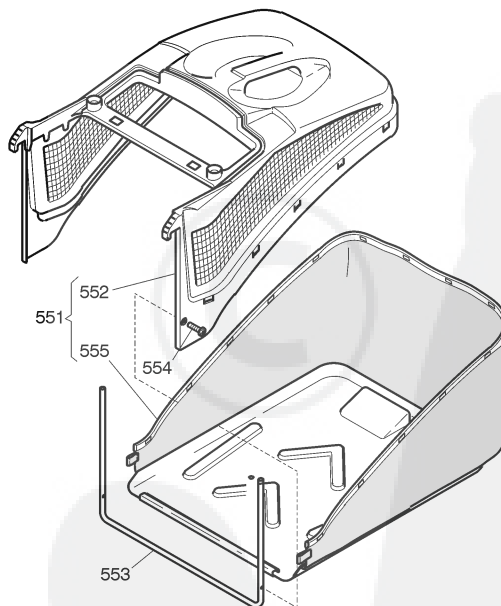
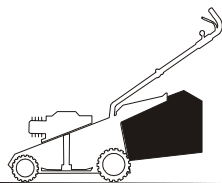


05T.007

| Pos. | Code       | Q.ty | Descrizione       | Description    | Description   | Beshreibung     | Remarks |
|------|------------|------|-------------------|----------------|---------------|-----------------|---------|
| 501  | 22463186/2 | 1    | MOZZO             | HUB            | MOYEU         | HALTER          |         |
| 502  | 81004341/3 | 1    | COLTELLO STANDARD | BLADE STANDARD | LAME STANDARD | MESSER STANDARD |         |
| -    | 81004396/0 | 1    | COLTELLO ALETTATO | BLADE WINGED   | LAME AILETTÉE | MESSER FLÜGEL   |         |
| 503  | 12583500/0 | 2    | GROWER            | GROWER         | GROWER        | FEDERRING       |         |
| 504  | 12793101/0 | 2    | VITE              | SCREW          | VIS           | SCHRAUBE        |         |
| 505  | 81004352/0 | 1    | VITE              | SCREW          | VIS           | SCHRAUBE        |         |
| 506  | 12713801/0 | 1    | GRANO             | DOWEL          | GRAIN         | STIFT           |         |
| 507  | 22601911/0 | 1    | PULEGGIA          | PULLEY         | POUILE        | RIEMENSCHLEIBE  |         |

6

06D\_003



06T.003

| Pos. | Code       | Q.ty | Descrizione      | Description            | Description            | Beshreibung        | Remarks |
|------|------------|------|------------------|------------------------|------------------------|--------------------|---------|
| 551  | 91000010/1 | 1    | SACCO, COMPLETO  | GRASSCATCHER, COMPLETE | SAC, COMPLETE          | SACK, KOMPLETTE    |         |
| 552  | 22486093/0 | 1    | SACCO, PARTE SUP | GRASS-BOX, UPPER PART  | SAC, PARTIE SUPERIEURE | KORB, OBERTEIL     |         |
| 553  | 22608523/0 | 1    | RINFORZO INF     | STIFFENING LOWER       | RÉNFORCEMENT INF       | VERSTÄRKUNG UNTERE |         |
| 554  | 12728445/0 | 2    | VITE             | SCREW                  | VIS                    | SCHRAUBE           |         |
| 555  | 81002195/0 | 1    | SACCO, TELA      | BOX, FABRIC            | SAC, TOILE             | SACK, TUCK         |         |