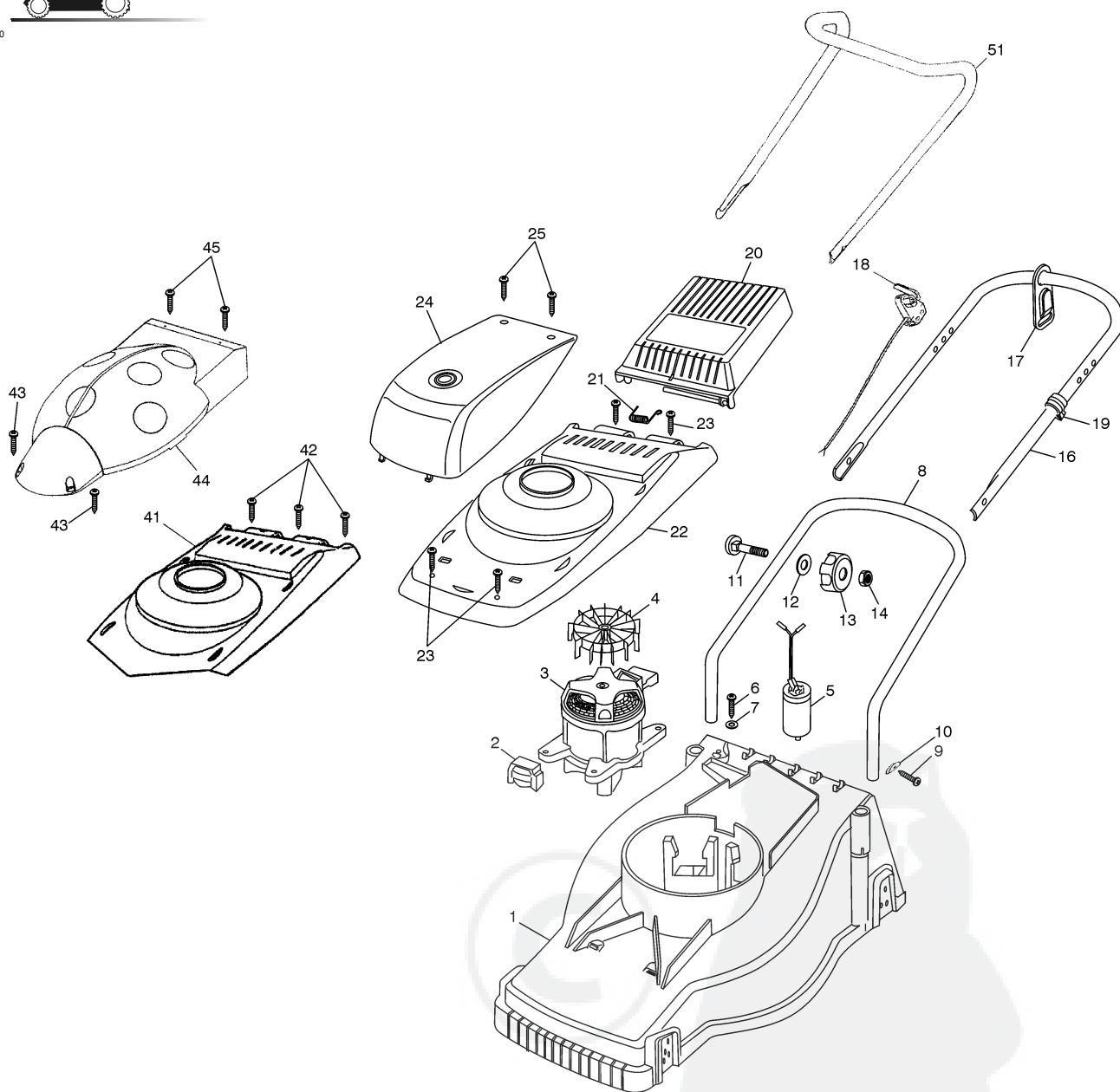


01D_EP420



01T.069

Pos.	Code	Q.ty	Descrizione	Description	Description	Beschreibung	Remarks
1	22066689/0	1	CHASSIS VERDE	DECK GREEN	CHÂSSIS VERT	GEHÄUSE GRÜN	
-	22066690/0	1	CHASSIS ROSSO	DECK RED	CHÂSSIS ROUGE	GEHÄUSE ROT	
2	22250010/0	4	GOMMINO	GROMMET	PROCTECION	SCHUTZ	
3	18563615/0	1	MOTORE	MOTOR	MOTEUR	MOTOR	1100W 230V 50 Hz
-	18563616/0	1	MOTORE	MOTOR	MOTEUR	MOTOR	1300W 230V 50 Hz
4	18740055/0	1	VENTOLA PER MOTORE	FAN MOTOR	VENTILATEUR MOTEUR	LÜFTER MOTOR	
5	18222046/0	1	CONDENSATORE	CONDENSATORE	CONDENSATORE	CONDENSATORE	
6	12728688/0	1	VITE	SCREW	VIS	SCHRAUBE	
7	12523050/0	1	ROSETTA	WASHER	RONDELLE	SCHIBE	
8	81006567/0	1	MANICO, PARTE INF	HANDLE, LOWER PART	MANCHERON, PARTIE INFERIEURE	HOLM, UNTERTEIL	
9	12728099/1	2	VITE	SCREW	VIS	SCHRAUBE	
10	22545135/0	2	PIASTRINA	PLATE	PLAQUETTE	PLATTE	



GLOBAL GARDEN PRODUCTS

01T.069

Pos.	Code	Q.ty	Descrizione	Description	Description	Beshreibung	Remarks
11	12819110/0	2	VITE	SCREW	VIS	SCHRAUBE	
12	12521350/0	2	ROSETTA	WASHER	RONDELLE	SCHEIBE	
13	22399804/0	2	MANOPOLINA	KNOB	POIGNÉE	GRIFF	
14	12293200/0	2	DADO	NUT	ECROU	MUTTER	
16	81006572/0	1	MANICO, PARTE SUP	HANDLE, UPPER PART	MANCHERON, PARTIE SUPERIEURE	HOLM, OBERTEIL	
17	22195101/3	1	FERMACAVO	FAIRLEAD	FIXATION CABLE	KABELBEFESTIGUNG	
18	18710634/0	1	SALVAMOTORE - SENZA PROT. TERMICA	DEAD HAND SWITCH - WITHOUT OVERLOAD PROTECTION	INT. MAIN MORTE - SANS PROTECTION TERMIQUE	TOT MANSCHALTER - OHNE THERMISCHER SCHUTZ	602 MS
19	22192151/0	1	FERMACAVO	FAIRLEAD	FIXATION CABLE	KABELBEFESTIGUNG	
20	22600079/0	1	PARASASSI	STONE-GUARD	PARE-PIERRES	PRALLBLECH	
21	22450430/0	1	MOLLA	SPRING	RESSORT	FEDER	
22	22785131/0	1	SUPPORTO CAPOTTINA	SUPPORT, COVER	SUPPORT CAPOT	HALTER, HAUBE	
23	12728686/0	5	VITE	SCREW	VIS	SCHRAUBE	
24	22055071/0	1	CAPOTTINA	COVER	CAPOT	HAUBE	
25	12728687/0	2	VITE	SCREW	VIS	SCHRAUBE	

VARIANTE CAPOTTINA - COVER MODIFICATION - MODIFICATION CAPOT - HAUBE ÄNDERUNGEN

01T.069

Pos.	Code	Q.ty	Descrizione	Description	Description	Beshreibung	Remarks
41	22785152/0	1	SUPPORTO CAPOTTINA	SUPPORT, COVER	SUPPORT CAPOT	HALTER, HAUBE	
42	12728686/0	3	VITE	SCREW	VIS	SCHRAUBE	
43	12728688/0	2	VITE	SCREW	VIS	SCHRAUBE	
44	22055073/0	1	CAPOTTINA "LADYBIRD", ROSSO	COVER "LADYBIRD" RED	CAPOT "LADYBIRD" ROUGE	HAUBE "LADYBIRD" ROT	
-	22055078/0	1	CAPOTTINA "LADYBIRD", GIALLO	COVER "LADYBIRD" YELLOW	CAPOT "LADYBIRD" JAUNE	HAUBE "LADYBIRD" GELB	
45	12728687/0	2	VITE	SCREW	VIS	SCHRAUBE	

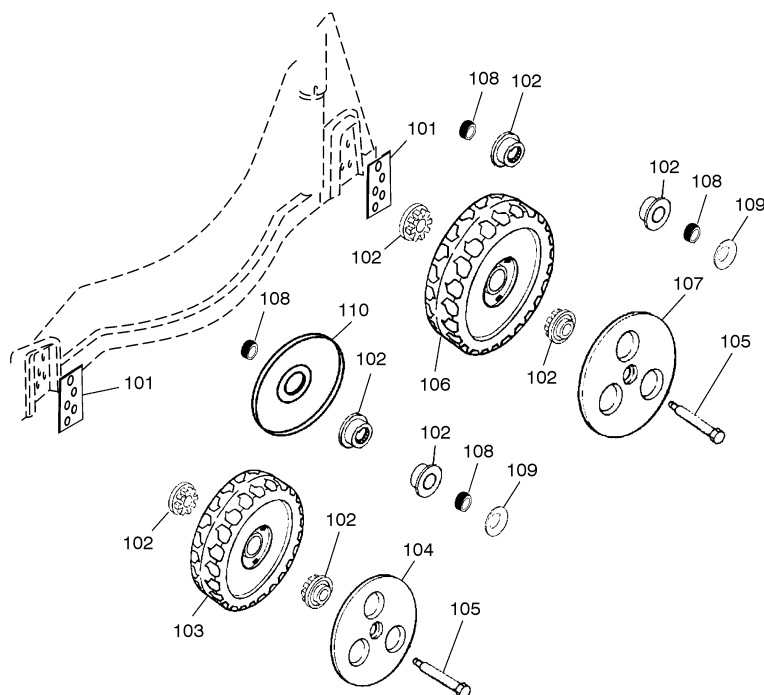
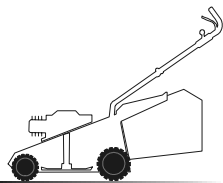
VARIANTE MANICO SUPERIORE - UPPER HANDLE MODIFICATION - MODIFICATION MANCHERON SUPERIEURE - UBERHOLM ÄNDERUNGEN

01T.069

Pos.	Code	Q.ty	Descrizione	Description	Description	Beshreibung	Remarks
51	81006571/0	1	MANICO, PARTE SUP	HANDLE, UPPER PART	MANCHERON, PARTIE SUPERIEURE	HOLM, OBERTEIL	

2

02D_045



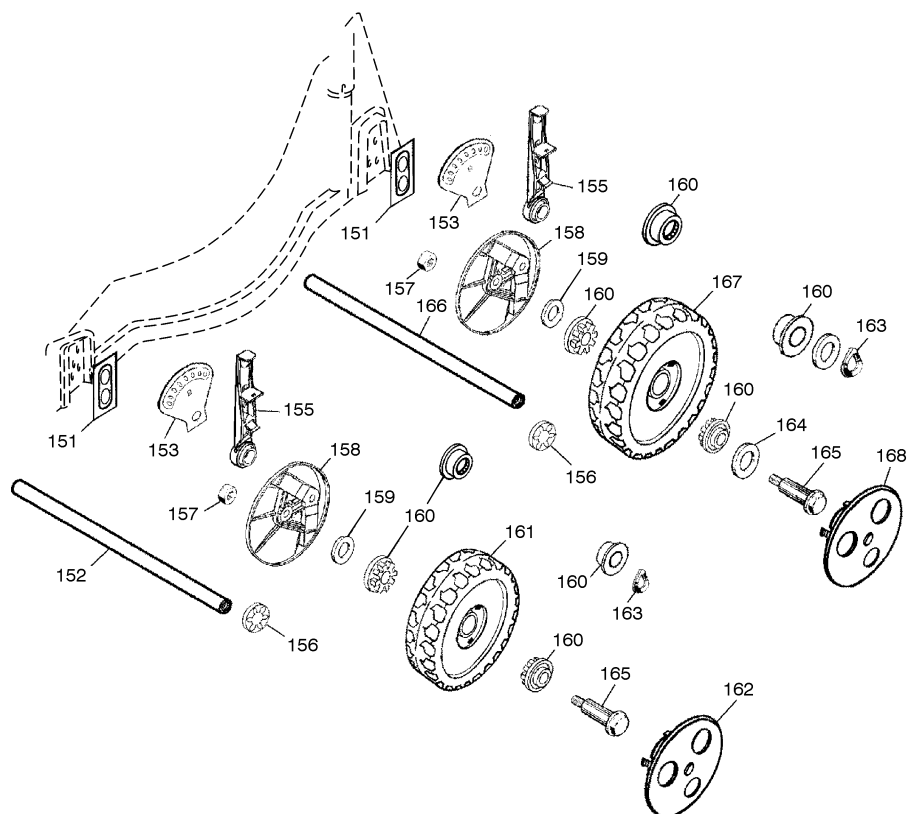
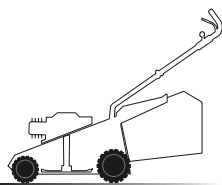
02T_045

Pos.	Code	Q.ty	Descrizione	Description	Description	Beschreibung	Remarks
101	22785093/0	4	SUPPORTO RUOTA	SUPPORT, WHEEL	SUPPORT ROUE	HALTER, RAD	
102	22034511/0	8	BUSSOLA	BUSH	DOUILLE	BUCHSE	
-	22122202/0	8	CUSCINETTO	BEARING	COUSSINET	LAGER	(ONLY FOR BEARING VERSION)
103	81007346/0	2	RUOTA Ø 165	WHEEL Ø 165	ROUE Ø 165	RAD Ø 165	
104	22110320/0	2	COPRIMOZZO BIANCO	HUB CAP WHITE	COUVRE-MOYEU BLANC	RADKAPPE WEIßE	
105	22524321/0	4	PERNO	PIN	PIVOT	BOLZEN	
106	81007347/0	2	RUOTA Ø 190	WHEEL Ø 190	ROUE Ø190	RAD Ø 190	
107	22110338/0	2	COPRIMOZZO BIANCO	HUB CAP WHITE	COUVRE-MOYEU BLANC	RADKAPPE WEIßE	
108	22170620/0	8	DISTANZIALE	SPACER	ENTRETOISE	DISTANZRING	(ONLY FOR BEARING VERSION)
109	12508124/0	4	MOLLA A TAZZA	CUPPED SPRING	RESSORT	TELLER FEDER	(ONLY FOR BEARING VERSION)
110	22600095/0	2	PROTEZIONE	PROTECTION	PROTECTION	SCHUTZ	(ONLY FOR BEARING VERSION)



2

02D_046



VARIANTE REGOLAZIONE RUOTE - WHEEL ADJUSTMENT MODIFICATION - MODIFICATION REGLAGE ROUES - ÄNDERUNG RADEINSTELL

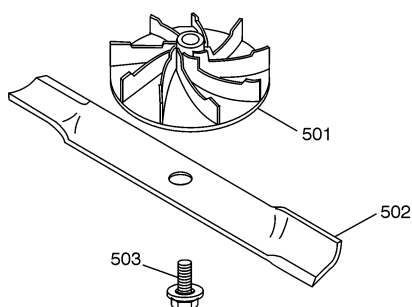
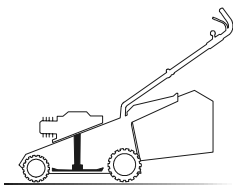
02T_046

Pos.	Code	Q.ty	Descrizione	Description	Description	Beschreibung	Remarks
151	22785135/0	4	SUPPORTO	SUPPORT	SUPPORT	HALTER	
152	22033363/0	1	ASSE	AXLE	AXE	ACHSE	
153	22735555/0	4	SETTORE DI REGOLAZIONE	SECTOR, HEIGHT ADJUSTMENT	SECTEUR REGLAGE	SEKTOR, HÖHEVERSTELLUNG	
155	81003306/0	4	LEVA REGOLAZIONE ALTEZZA	LEVER, HEIGHT ADJUSTMENT	LEVIER, REGLAGE HAUTEUR	HEBEL, HÖHEVERSTELLUNG	
156	22020050/0	4	ANELLO ELASTICO	SNAP RING	ANNEAU RESSORT	SPRENGRING	
157	12155000/0	4	DADO	NUT	ECROU	MUTTER	
158	22600096/0	4	PROT. RUOTE	PROTECTION, WHEEL	PROTECTION ROUE	SCHÜTZ, RÄDER	
159	22671651/0	4	ROSETTA	WASHER	RONDELLE	SCHEIBE	
160	22034509/0	8	BUSSOLA	BUSH	DOUILLE	BUCHSE	
-	22122202/0	8	CUSCINETTO	BEARING	COUSSINET	LAGER	(ONLY FOR BEARING VERSION)
161	81007346/0	2	RUOTA Ø 165	WHEEL Ø 165	ROUE Ø 165	RAD Ø 165	
162	22110322/0	2	COPRIMOZZO BIANCO	HUB CAP WHITE	COUVRE-MOYEU BLANC	RADKAPPE WEIßE	
163	22675100/0	4	ROSETTA	WASHER	RONDELLE	SCHEIBE	(ONLY FOR BEARING VERSION)
164	12521370/0	2	ROSETTA	WASHER	RONDELLE	SCHEIBE	
165	22524322/0	4	PERNO	PIN	PIVOT	BOLZEN	
166	22033362/0	1	ASSE	AXLE	AXE	ACHSE	
167	81007347/0	2	RUOTA Ø 190	WHEEL Ø 190	ROUE Ø190	RAD Ø 190	
168	22110341/0	2	COPRIMOZZO BIANCO	HUB CAP WHITE	COUVRE-MOYEU BLANC	RADKAPPE WEIßE	



5

05D_033

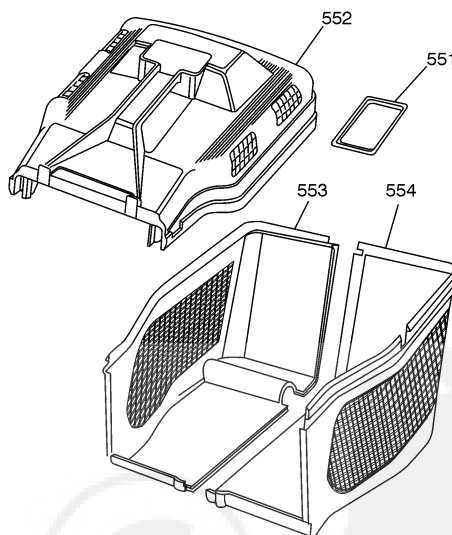
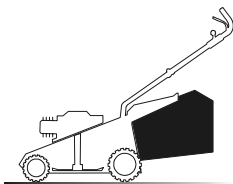


05T_033

Pos.	Code	Q.ty	Descrizione	Description	Description	Beschreibung	Remarks
501	22465603/0	1	MOZZO GIRANTE	HUB FAN	MOYEU VENTILATEUR	LÄUFENDENABE	
502	81004119/1	1	COLTELLO	BLADE	LAME	MESSER	
503	81004340/0	1	VITE	SCREW	VIS	SCHRAUBE	

6

06D_014



06T_014

Pos.	Code	Q.ty	Descrizione	Description	Description	Beschreibung	Remarks
551	22486098/0	1	PIASTRINA	PLATE	PLAQUETTE	PLÄTTCHEN	
552	22486115/0	1	PARTE SUP.SACCO	GRASSBOX UPPER PART	SAC, PARTIE SUPERIEURE	KORB OBERTEIL	
553	22486119/0	1	PARTE INFER. SACCO SX	GRASSBOX LOWER PART (L)	SAC, PARTIE INFERIEURE (G)	KORB UNTERTEIL (L)	
554	22486120/1	1	PARTE INFER. SACCO DX	GRASSBOX LOWER PART (R)	SAC, PARTIE INFERIEURE (D)	KORB UNTERTEIL (R)	