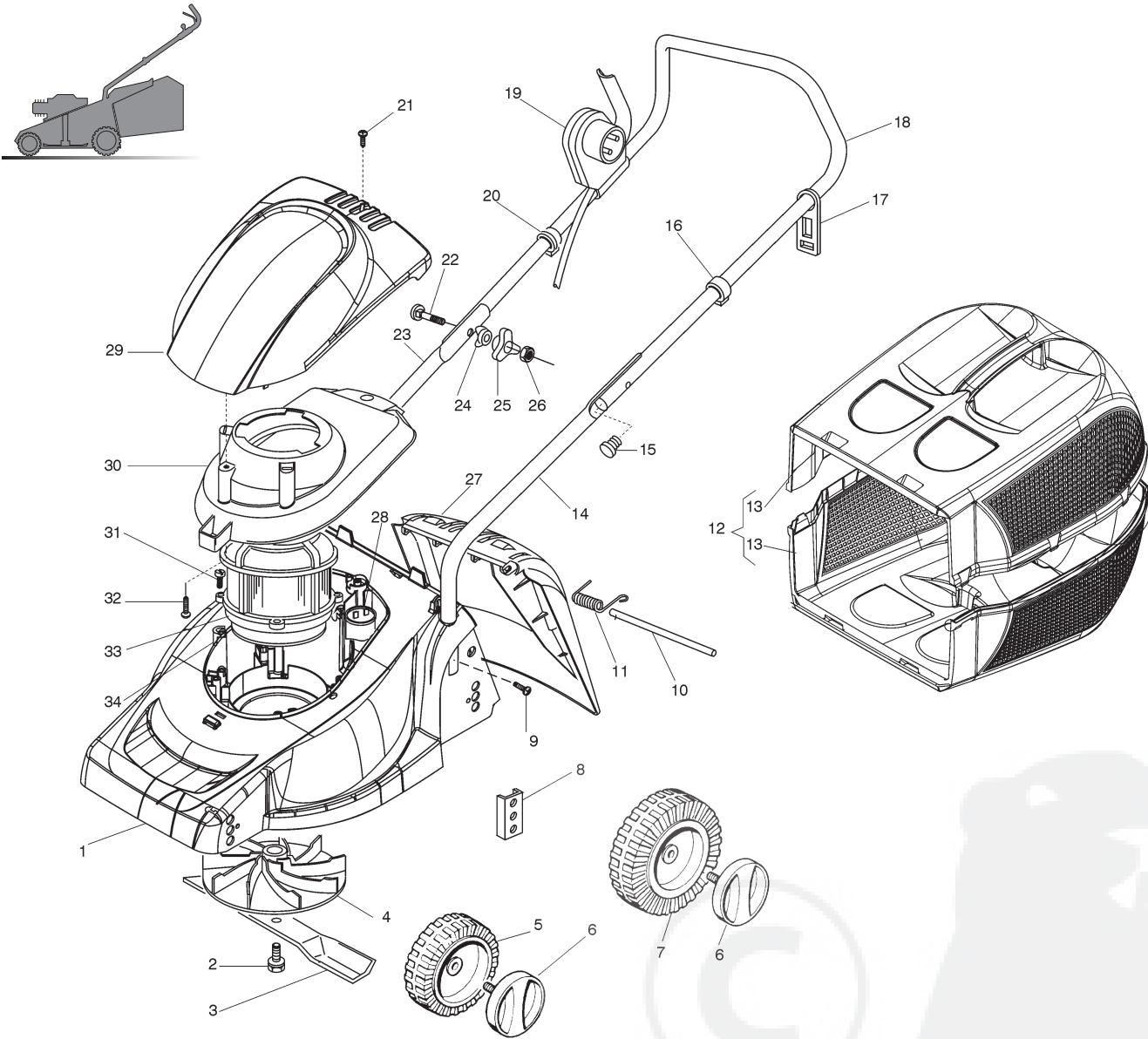


00D.006



- H 350
- K 350
- K 390
- C 350
- C 390
- NG 410 / 410 S
- NG 460
- NG 414
- NG 464
- NG 464 TR
- NG 464 TR-E
- NG 504
- NG 504 TR
- NG 504 TR-E
- R 430 / 430 S
- R 480
- R 430 TR
- R 434
- R 484
- R 534
- R 484 TR / TR-E
- R 534 TR / TR-E
- RL 430 / 430 S
- RL 480
- RL 430 TR
- RL 434
- RL 484
- RL 534
- RL 484 TR
- RL 484 TR-E
- RL 534 TR
- RL 534 TR-E
- TD 430 / 430 S
- TD 480
- TD 430 TR
- TD 434
- TD 484
- TD 534
- TD 484 TR
- TD 484 TR-E
- TD 534 TR
- TD 534 TR-E
- TDL 430 / 430 S
- TDL 480
- TDL 430 TR
- TDL 434
- TDL 484
- TDL 534
- TDL 484 TR
- TDL 484 TR-E
- TDL 534 TR
- TDL 534 TR-E
- CA 430
- CA 480
- CA 434
- CA 484
- CA 534
- CA 430 TR
- CA 434 TR
- CA 484 TR / TR-E
- CA 534 TR / TR-E
- CAL 430
- CAL 480
- CAL 434
- CAL 484
- CAL 534
- CAL 430 TR
- CAL 434 TR
- CAL 484 TR / TR-E
- CAL 534 TR / TR-E
- T 430 / 430 S
- T 480
- T 434
- T 484
- T 484 TR
- T 484 TR-E
- PAN 504
- PAN 504 TR
- PAN 504 TR-E
- PAN 504 TR-E 3S
- PAN 504 TR 3S
- NP 534
- NP 534 TR
- NP 534 TR-E
- NP 534 TR 3S
- NP 534 TR-E 3S
- S 474 L

00D.006

Pos	Code	Q.ty	Descrizione	Description	Description	Beschreibung	
1	81001905/0	1	CHASSIS ROSSO	DECK RED	CHÂSSIS ROUGE	GEHÄUSE ROTES	
-	81001918/0	1	CHASSIS VERDE	DECK GREEN	CHÂSSIS VERT	GEHÄUSE GRÜNES	
-	81001917/0	1	CHASSIS GIALLO	DECK YELLOW	CHÂSSIS JAUNE	GEHÄUSE GELBES	
2	81004352/0	1	VITE	SCREW	VIS	SCHRAUBE	
3	81004115/1	1	COLTELLO STANDARD	BLADE STANDARD	LAME STANDARD	MESSER STANDARD	33 cm
-	81004116/0	1	COLTELLO ALETTATO	BLADE WINGED	LAME AILETTÉE	MESSER FLÜGEL	33 cm
4	22465602/0	1	MOZZO	HUB	MOYEU	HALTER	
5	22686086/0	2	RUOTA Ø 130	WHEEL Ø 130	ROUE Ø 130	RAD Ø 130	
6	81004348/0	2	COPRIMOZZO BIANCO	HUB CAP WHITE	COUVRE-MOYEU BLANC	RADKAPPE WEIßE	
-	81004354/0	2	COPRIMOZZO ROSSO	HUB CAP RED	COUVRE-MOYEU ROUGE	RADKAPPE ROTE	
-	81004347/0	2	COPRIMOZZO GIALLO	HUB CAP YELLOW	COUVRE-MOYEU JAUNE	RADKAPPE GELBE	
7	22686087/0	2	RUOTA Ø 160	WHEEL Ø 160	ROUE Ø 160	RAD Ø 160	
8	22785087/1	4	SUPPORTO RUOTE	SUPPORT, WHEELS	SUPPORT ROUE	HALTER, RAD	
9	12728450/0	2	VITE	SCREW	VIS	SCHRAUBE	
10	22512530/0	1	PERNO	PIN	PIVOT	BOLZEN	
11	22450250/0	1	MOLLA	SPRING	RESSORT	FEDER	
12	22066687/0	1	SACCO, COMPLETO	GRASSCATCHER, COMPLETE	SAC, COMPLETE	SACK, KOMPLETTE	
13	22486091/0	2	SACCO, PARTE INFERIORE/ SUPERIORE	GRASS-BOX, UPPER/ LOWER PART	SAC, PARTIE INFERIEURE/ SUPERIEURE	KORB, OBER/ UNTERTEIL	
14	81006940/0	1	MANICO, PARTE INFERIORE SX	HANDLE, LEFT LOWER PART	GAUCHE MANCHERON, PARTIE INFERIEURE	HOLM, LINKE UNTERTEIL	
15	18566112/0	2	PUNTALE	CAP	BOUCHON	GUMMISTOPFEN	
16	22192151/0	1	FERMACAVO	FAIRLEAD	FIXATION CABLE	KABELBEFESTIGUNG	
17	22195101/1	1	FERMACAVO	FAIRLEAD	FIXATION CABLE	KABELBEFESTIGUNG	
18	81006941/2	1	MANICO, PARTE SUPERIORE	HANDLE, UPPER PART	MANCHERON, PARTIE SUPERIEURE	HOLM, OBERTEIL	

1

2

3

4

5

6

19	18710626/ 1	1	SALVAMOTORE SENZA PROT. TERMICA	DEAD HAND SWITCH - WITHOUT OVERLOAD PROTECTION	INT. MAIN MORTE - SANS PROTECTION TERMIQUE	TOT MANSCHALTER - OHNE THERMISCHER SCHUTZ	M.M. 601 MS	H 350
-	18710627/ 1	1	SALVAMOTORE SENZA PROT. TERMICA	DEAD HAND SWITCH - WITHOUT OVERLOAD PROTECTION	INT. MAIN MORTE - SANS PROTECTION TERMIQUE	TOT MANSCHALTER - OHNE THERMISCHER SCHUTZ	M.M. 603 MS	K 350
20	22192000/ 1	1	FASCETTA ANCORAGGIO	ANCHOR CLAMP	COLLIER ANCRAGE	BOWDENZUGHALTER		K 390
21	12728680/ 0	1	VITE	SCREW	VIS	SCHRAUBE		C 350
22	12819120/ 0	2	VITE	SCREW	VIS	SCHRAUBE		C 390
23	81006939/ 0	1	MANICO, PARTE INFERIORE DX	HANDLE, RIGHT LOWER PART	DROITE MANCHERON, PARTIE INFERIEURE	HOLM, RECHTE UNTERTEIL		NG 410 / 410 S
24	22680006/ 1	2	RONDELLA	WASHER	RONDELLE	SCHEIBE		NG 460
25	22399900/ 0	2	MANOPOLINA	KNOB	POIGNÉE	GRIFF		NG 414
26	12293200/ 0	2	DADO	NUT	ECROU	MUTTER		NG 464 TR
27	22600055/ 0	1	PARASASSI	STONE-GUARD	PARE-PIERRES	PRALLBLECH		NG 464 TR-E
28	18222034/ 0	1	CONDENSATORE 8 µF	CONDENSER 8 µF	CONDENSEUR 8 µF	KONDENSATOR 8 µF		NG 504
29	22055064/ 0	1	CAPOTTINA	COVER	CAPOT	HAUBE		NG 504 TR
30	22055050/ 1	1	SUPPORTO CAPOTTINA	SUPPORT, COVER	SUPPORT CAPOT	HALTER, HAUBE		NG 504 TR-E
31	12735410/ 0	4	VITE	SCREW	VIS	SCHRAUBE		R 430 / 430 S
32	12728450/ 0	1	VITE	SCREW	VIS	SCHRAUBE		R 480
33	18563011/ 0	1	MOTORE RST 800W	MOTOR RS 800W	MOTEUR RST 800W	MOTOR RST 800W	(220-230V)	R 430 TR
-	18563087/ 0	1	MOTORE IBMEI 800W	MOTOR IBMEI 800W	MOTEUR IBMEI 800W	MOTOR IBMEI 800W	(230V)	R 484
-	18563088/ 0	1	MOTORE IBMEI 800W	MOTOR IBMEI 800W	MOTEUR IBMEI 800W	MOTOR IBMEI 800W	(240V)	R 534
34	22167700/ 0	4	DISTANZIALE	SPACER	ENTRETOISE	DISTANZRING		R 484 TR / TR-E
	81008592/ 0	1	DOTAZIONE VITERIA	OUTFIT, SCREWS	DOTATION VISSERIE	SATZ, SCHRAUBEN		R 534 TR / TR-E
								RL 430 / 430 S
								RL 480
								RL 430 TR
								RL 434
								RL 484
								RL 534
								RL 484 TR
								RL 484 TR-E
								RL 534 TR
								RL 534 TR-E
								TD 430 / 430 S
								TD 480
								TD 430 TR
								TD 434
								TD 484
								TD 534
								TD 484 TR
								TD 484 TR-E
								TD 534 TR
								TD 534 TR-E
								TDL 430 / 430 S
								TDL 480
								TDL 430 TR
								TDL 434
								TDL 484
								TDL 534
								TDL 484 TR
								TDL 484 TR-E
								TDL 534 TR
								TDL 534 TR-E
								CA 430
								CA 480
								CA 434
								CA 484
								CA 534
								CA 430 TR
								CA 434 TR
								CA 484 TR / TR-E
								CA 534 TR / TR-E
								CAL 430
								CAL 480
								CAL 434
								CAL 484
								CAL 534
								CAL 430 TR
								CAL 434 TR
								CAL 484 TR / TR-E
								CAL 534 TR / TR-E
								T 430 / 430 S
								T 480
								T 434
								T 484
								T 484 TR
								T 484 TR-E
								PAN 504
								PAN 504 TR
								PAN 504 TR-E
								PAN 504 TR-E 3S
								PAN 504 TR 3S
								NP 534
								NP 534 TR
								NP 534 TR-E
								NP 534 TR 3S
								NP 534 TR-E 3S
								S 474 L

1

2

3

4

5

6