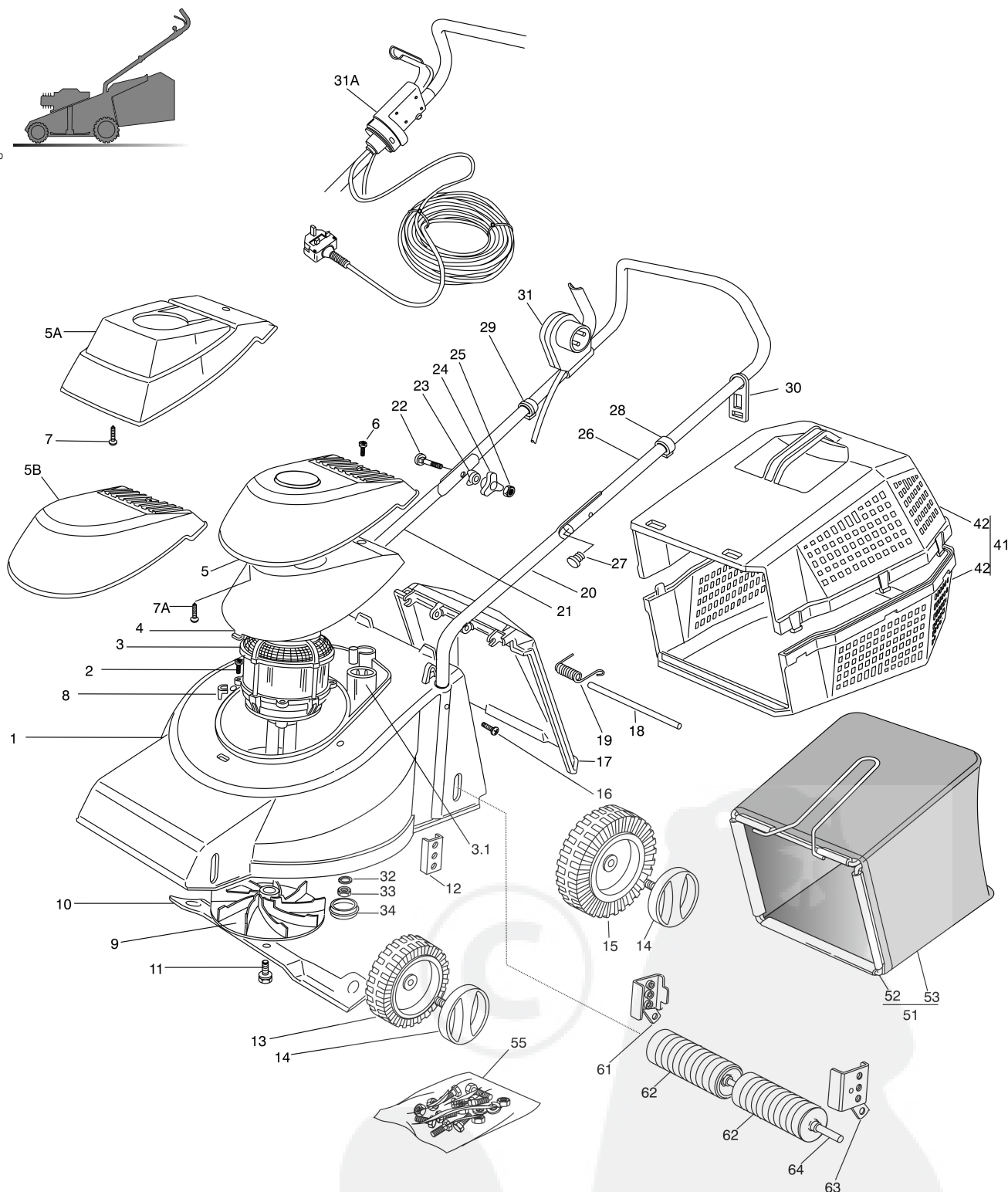


00D_K350



00T.001

| Pos. | Code | Q.ty | Descrizione | Description | Description | Beschreibung | Remarks |
|------|------------|------|----------------|-------------|---------------|--------------|-----------------|
| 1 | 81001567/0 | 1 | CHASSIS ROSSO | DECK RED | CHÂSSIS ROUGE | GEHÄUSE ROT | |
| - | 81001568/0 | 1 | CHASSIS GIALLO | DECK YELLOW | CHÂSSIS JAUNE | GEHÄUSE GELB | |
| - | 81001569/0 | 1 | CHASSIS VERDE | DECK GREEN | CHÂSSIS VERT | GEHÄUSE GRÜN | |
| 2 | 12735410/0 | 4 | VITE | SCREW | VIS | SCHRAUBE | |
| 3 | 18563011/1 | 1 | MOTORE RST | MOTOR RST | MOTEUR RST | MOTOR RST | 230-240V (800W) |
| - | 18563007/3 | 1 | MOTORE RST | MOTOR RST | MOTEUR RST | MOTOR RST | 230-240V (900W) |
| - | 18563604/0 | 1 | MOTORE ATB | MOTOR ATB | MOTEUR ATB | MOTOR ATB | 230-240V (900W) |
| - | 18563602/0 | 1 | MOTORE ATB | MOTOR ATB | MOTEUR ATB | MOTOR ATB | 230V (800W) |
| - | 18563603/0 | 1 | MOTORE ATB | MOTOR ATB | MOTEUR ATB | MOTOR ATB | 240V (800W) |

GLOBAL GARDEN PRODUCTS

00T.001

| Pos. | Code | Q.ty | Descrizione | Description | Description | Beshreibung | Remarks |
|------|------------|------|--|--|--|---|------------------------------------|
| 3.1 | 18222044/0 | 1 | CONDENSATORE 10 µF | CONDENSATORE 10 µF | CONDENSATORE 10 µF | CONDENSATORE 10 µF | (800 ATB) |
| - | 18222043/0 | 1 | CONDENSATORE 12 µF | CONDENSER 12 µF | CONDENSEUR 12 µF | KONDENSATOR 12 µF | (900 ATB) |
| 4 | 22055029/0 | 1 | SUPPORTO CAPOTTINA | SUPPORT, COVER | SUPPORT CAPOT | HALTER, HAUBE | |
| 5 | 81002006/1 | 1 | CAPOTTINA | COVER | CAPOT | HAUBE | |
| 5A | 22055037/2 | 1 | CAPOTTINA | COVER | CAPOT | HAUBE | |
| 5B | 22055059/1 | 1 | CAPOTTINA | COVER | CAPOT | HAUBE | |
| 6 | 12728680/0 | 1 | VITE | SCREW | VIS | SCHRAUBE | |
| 7 | 12728450/0 | 1 | VITE | SCREW | VIS | SCHRAUBE | |
| 7A | 12731601/0 | 1 | VITE | SCREW | VIS | SCHRAUBE | |
| 8 | 22167700/0 | 4 | DISTANZIALE | SPACER | ENTRETOISE | DISTANZRING | |
| 9 | 22465602/0 | 1 | MOZZO | HUB | MOYEU | HALTER | |
| 10 | 81004115/1 | 1 | COLTELLO STANDARD | BLADE STANDARD | LAME STANDARD | MESSER STANDARD | |
| - | 81004116/0 | 1 | COLTELLO ALETTATO | BLADE WINGED | LAME AILETTÉE | MESSER FLÜGEL | |
| 11 | 81004352/0 | 1 | VITE | SCREW | VIS | SCHRAUBE | |
| 12 | 22785087/1 | 4 | SUPPORTO RUOTE | SUPPORT, WHEELS | SUPPORT ROUE | HALTER, RAD | |
| 13 | 22686086/0 | 2 | RUOTA Ø 130 | WHEEL Ø 130 | ROUE Ø 130 | RAD Ø 130 | |
| 14 | 81004347/0 | 4 | COPRIMOZZO GIALLO | HUB CAP YELLOW | COUVRE-MOYEU JAUNE | RADKAPPE GELBE | |
| - | 81004348/0 | 4 | COPRIMOZZO BIANCO | HUB CAP WHITE | COUVRE-MOYEU BLANC | RADKAPPE WEIßE | |
| - | 81004354/0 | 4 | COPRIMOZZO ROSSO | HUB CAP RED | COUVRE-MOYEU ROUGE | RADKAPPE ROTE | |
| 15 | 22686087/0 | 2 | RUOTA Ø 160 | WHEEL Ø 160 | ROUE Ø 160 | RAD Ø 160 | |
| 16 | 12728450/0 | 2 | VITE | SCREW | VIS | SCHRAUBE | |
| 17 | 22600024/1 | 1 | PARASASSI | STONE-GUARD | PARE-PIERRES | PRALLBLECH | |
| 18 | 22512530/0 | 1 | PERNO | PIN | PIVOT | BOLZEN | |
| 19 | 22450250/0 | 1 | MOLLA | SPRING | RESSORT | FEDER | |
| 20 | 81006940/0 | 1 | MANICO, PARTE INF SX | HANDLE, L LOWER PART | MANCHERON, PARTIE INFERIEURE G | HOLM, LINKE UNTERTEIL | |
| 21 | 81006939/0 | 1 | MANICO, PARTE INF DX | HANDLE, R LOWER PART | MANCHERON, PARTIE INFERIEURE D | HOLM, RECHTE UNTERTEIL | |
| 22 | 12819120/0 | 2 | VITE | SCREW | VIS | SCHRAUBE | |
| 23 | 22680006/1 | 2 | ROSETTA | WASHER | RONDELLE | SCHEIBE | |
| 24 | 22399900/0 | 2 | MANOPOLINA | KNOB | POIGNÉE | GRIFF | |
| 25 | 12293200/0 | 2 | DADO | NUT | ECROU | MUTTER | |
| 26 | 81006941/2 | 1 | MANICO, PARTE SUP | HANDLE, UPPER PART | MANCHERON, PARTIE SUPERIEURE | HOLM, OBERTEIL | |
| 27 | 18566112/0 | 2 | PUNTALE | CAP | BOUCHON | GUMMISTOPFEN | |
| 28 | 22192151/0 | 1 | FERMACAVO | FAIRLEAD | FIXATION CABLE | KABELBEFESTIGUNG | |
| 29 | 22192000/1 | 1 | FASCETTA ANCORAGGIO | ANCHOR CLAMP | COLLIER ANCRAGE | BOWDENZUGHALTER | |
| 30 | 22195101/3 | 1 | FERMACAVO | FAIRLEAD | FIXATION CABLE | KABELBEFESTIGUNG | |
| 31 | 18710630/0 | 1 | SALVAMOTORE | DEAD HAND SWITCH | INT. MAIN MORTE | TOT MANSCHALTER | 5A 603 MS (900W ATB ONLY FOR CH) |
| - | 18710611/1 | 1 | SALVAMOTORE | DEAD SWITCH HAND | INT. MAIN MORTE | TOT MANSCHALTER | 6,5A 602 MS (900W RST) |
| - | 18710625/1 | 1 | SALVAMOTORE | DEAD HAND SWITCH | INT. MAIN MORTE | TOT MANSCHALTER | 6,5A 603 MS (900W RST ONLY FOR CH) |
| - | 18710626/1 | 1 | SALVAMOTORE - SENZA PROT. TERMICA | DEAD HAND SWITCH - WITHOUT OVERLOAD PROTECTION | INT. MAIN MORTE - SANS PROTECTION TERMIQUE | TOT MANSCHALTER - OHNE THERMISCHER SCHUTZ | 601 MS |
| - | 18710627/1 | 1 | SALVAMOTORE - SENZA PROT. TERMICA | DEAD HAND SWITCH - WITHOUT OVERLOAD PROTECTION | INT. MAIN MORTE - SANS PROTECTION TERMIQUE | TOT MANSCHALTER - OHNE THERMISCHER SCHUTZ | 603 MS (ONLY FOR CH) |
| 31A | 18710402/0 | 1 | SALVAMOTORE + CAVO 10 MT | DEAD HAND SWITCH + CABLE 10 MT | INT. MAIN MORTE + CABLE 10 MT | TOT MANSCHALTER + KABEL 10 MT | 5A CCS 79 (ONLY FOR UK) |
| - | 18710400/0 | 1 | SALVAMOTORE - SENZA PROT. TERMICA + CAVO (10 MT) | DEAD HAND SWITCH - WITHOUT OVERLOAD PROTECTION + CABLE (10 MT) | INT. MAIN MORTE - SANS PROTECTION TERMIQUE + CABLE (10 MT) | TOT MANSCHALTER - OHNE THERMISCHER SCHUTZ + KABEL (10 MT) | CCS 59 (ONLY FOR UK) |
| 32 | 12540260/0 | 1 | GROWER | GROWER | GROWER | FEDERRING | |
| 33 | 12293200/0 | 1 | DADO | NUT | ECROU | MUTTER | |
| 34 | 22110275/0 | 1 | TAPPO | CAP | BOUCHON | GUMMISTOPFEN | |
| 41 | 97004000/0 | 1 | SACCO, COMPLETO | GRASSCATCHER, COMPLETE | SAC, COMPLETE | SACK, KOMPLETTE | |
| 42 | 22486040/0 | 2 | SACCO, PARTE INF/SUP | GRASS-BOX, UPPER/LOWER PART | SAC, PARTIE INFERIEURE/SUPERIEURE | KORB, OBER/UNTERTEIL | |
| 51 | 97005000/0 | 1 | SACCO IN TELA, COMPLETO | GRASSCATCHER, CANVASS COMPLETE | SAC EN TOILE, COMPLETE | SACK, KOMPLETTE | |



GLOBAL GARDEN PRODUCTS

00T.001

| Pos. | Code | Q.ty | Descrizione | Description | Description | Beshreibung | Remarks |
|------|------------|------|-------------------|----------------|-------------------|-----------------|---------|
| 52 | 81006414/0 | 1 | TELAIO SACCO | CHASSIS BOX | CHÂSSIS BAC | RAHMEN SACK | |
| 53 | 81002103/0 | 1 | SACCO, TELA | BOX, FABRIC | SAC, TOILE | SACK, TUCK | |
| 55 | 81008592/0 | 1 | DOTAZIONE VITERIA | OUTFIT, SCREWS | DOTATION VISSERIE | SATZ, SCHRAUBEN | |

VARIANTE ROLLER - ROLLER MODIFICATION - MODIFICATION ROLLER - ÄNDERUNG ROLLER

00T.001

| Pos. | Code | Q.ty | Descrizione | Description | Description | Beshreibung | Remarks |
|------|------------|------|-------------------|------------------|--------------------|--------------------|---------|
| 1 | 81001596/0 | 1 | CHASSIS ROSSO | DECK RED | CHÂSSIS ROUGE | GEHÄUSE ROT | |
| 61 | 81005097/1 | 1 | SUPPORTO RUOTA DX | SUPPORT, R WHEEL | SUPPORT ROUE DROIT | HALTER, RAD R | |
| 62 | 22670010/1 | 2 | ROLLER | ROLLER | ROLLER | ROLLER | |
| 63 | 81005099/1 | 1 | SUPPORTO RUOTA SX | SUPPORT, L WHEEL | SUPPORT, G ROUE | HALTER, RAD LINKER | |
| 64 | 22519807/0 | 1 | PERNO | PIN | PIVOT | BOLZEN | |

