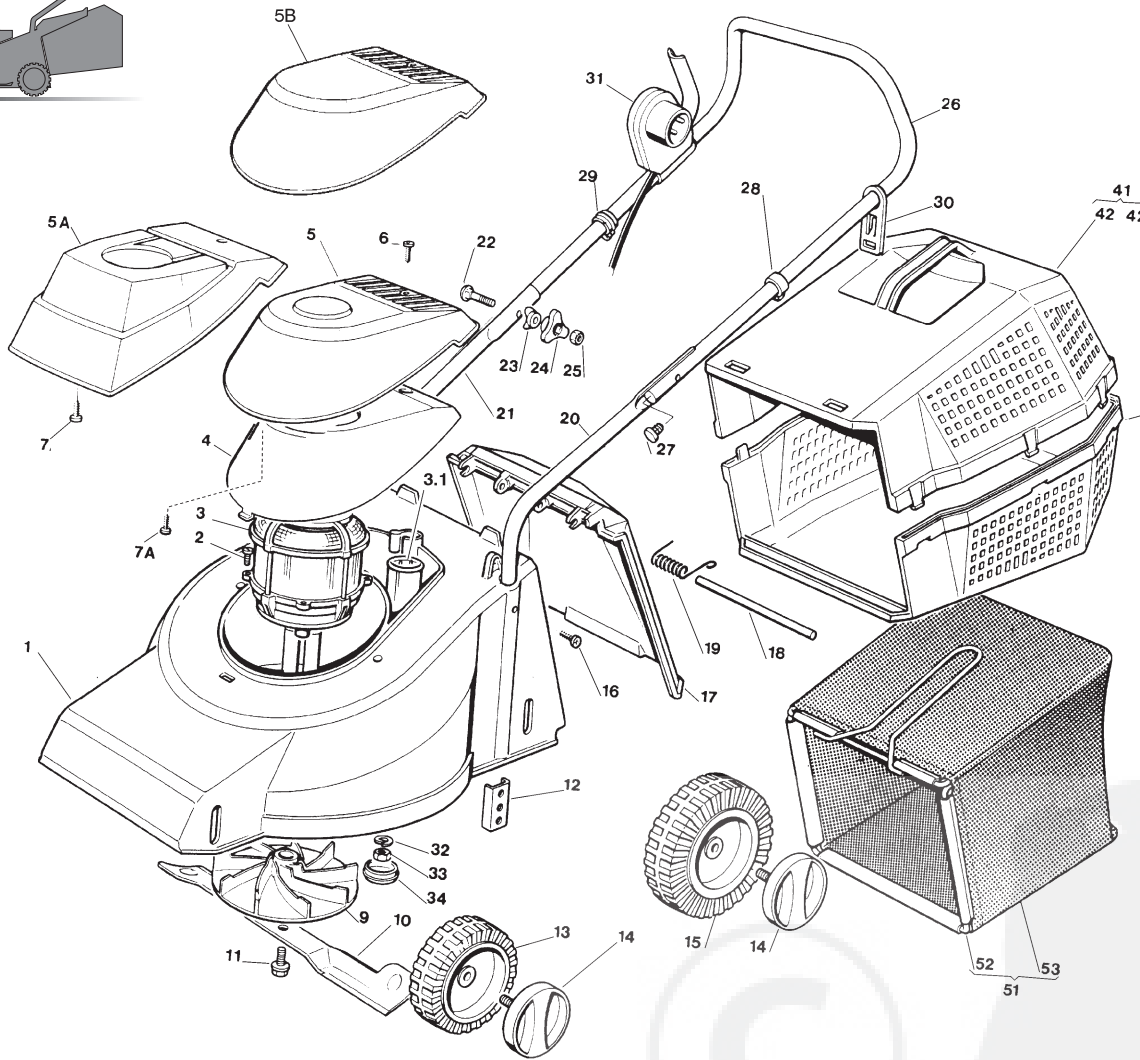
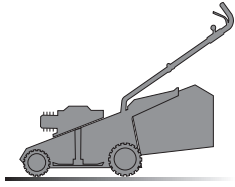


00D.002



- H 350
- K 350
- K 390
- C 350
- C 390
- NG 410 / 410 S
- NG 460
- NG 414
- NG 464
- NG 464 TR
- NG 464 TR-E
- NG 504
- NG 504 TR
- NG 504 TR-E
- R 430 / 430 S
- R 480
- R 430 TR
- R 434
- R 484
- R 534
- R 484 TR / TR-E
- R 534 TR / TR-E
- RL 430 / 430 S
- RL 480
- RL 430 TR
- RL 434
- RL 484
- RL 534
- RL 484 TR
- RL 484 TR-E
- RL 534 TR
- RL 534 TR-E
- TD 430 / 430 S
- TD 480
- TD 430 TR
- TD 434
- TD 484
- TD 534
- TD 484 TR
- TD 484 TR-E
- TD 534 TR
- TD 534 TR-E
- TDL 430 / 430 S
- TDL 480
- TDL 430 TR
- TDL 434
- TDL 484
- TDL 534
- TDL 484 TR
- TDL 484 TR-E
- TDL 534 TR
- TDL 534 TR-E
- CA 430
- CA 480
- CA 434
- CA 484
- CA 534
- CA 430 TR
- CA 434 TR
- CA 484 TR / TR-E
- CA 534 TR / TR-E
- CAL 430
- CAL 480
- CAL 434
- CAL 484
- CAL 534
- CAL 430 TR
- CAL 434 TR
- CAL 484 TR / TR-E
- CAL 534 TR / TR-E
- T 430 / 430 S
- T 480
- T 434
- T 484
- T 484 TR
- T 484 TR-E
- PAN 504
- PAN 504 TR
- PAN 504 TR-E
- PAN 504 TR-E 3S
- PAN 504 TR 3S
- NP 534
- NP 534 TR
- NP 534 TR-E
- NP 534 TR 3S
- NP 534 TR-E 3S
- S 474 L

00T.002

Pos	Code	Q.ty	Descrizione	Description	Description	Beschreibung
1	81001480/0	1	CHASSIS VERDE	DECK GREEN	CHÂSSIS VERT	GEHÄUSE GRÜNES
-	81001481/0	1	CHASSIS ROSSO	DECK RED	CHÂSSIS ROUGE	GEHÄUSE ROTES
-	81001482/0	1	CHASSIS GIALLO	DECK YELLOW	CHÂSSIS JAUNE	GEHÄUSE GELBES
2	12735410/0	4	VITE	SCREW	VIS	SCHRAUBE
3	18563067/0	1	MOTORE IBMEI 1200W	MOTOR IBMEI 1200W	MOTEUR IBMEI 1200W	MOTOR IBMEI 1200W (240V)
-	18563065/0	1	MOTORE IBMEI 1200W	MOTOR IBMEI 1200W	MOTEUR IBMEI 1200W	MOTOR IBMEI 1200W (230V)
3.1	18222036/0	1	CONDENSATORE 12 µF	CONDENSER 12 µF	CONDENSEUR 12 µF	KONDENSATOR 12 µF
4	22055032/0	1	SUPPORTO CAPOTTINA	SUPPORT, COVER	SUPPORT CAPOT	HALTER, HAUBE
5	81002007/0	1	CAPOTTINA	COVER	CAPOT	HAUBE
5A	22055037/1	1	CAPOTTINA	COVER	CAPOT	HAUBE
5B	22055059/0	1	CAPOTTINA	COVER	CAPOT	HAUBE
6	12728680/0	1	VITE	SCREW	VIS	SCHRAUBE
7	12728450/0	1	VITE	SCREW	VIS	SCHRAUBE
7A	12728680/0	1	VITE	SCREW	VIS	SCHRAUBE
9	22465602/0	1	MOZZO	HUB	MOYEU	HALTER
10	81004117/1	1	COLTELLO	BLADE	LAME	MESSER
11	81004352/0	1	VITE	SCREW	VIS	SCHRAUBE
12	22785087/1	4	SUPPORTO RUOTE	SUPPORT, WHEELS	SUPPORT ROUE	HALTER, RAD
13	22686081/0	2	RUOTA Ø 130	WHEEL Ø 130	ROUE Ø 130	RAD Ø 130
14	81004347/0	4	COPRIMOZZO GIALLO	HUB CAP YELLOW	COUVRE-MOYEU JAUNE	RADKAPPE GELBE
14	81004348/0	4	COPRIMOZZO BIANCO	HUB CAP WHITE	COUVRE-MOYEU BLANC	RADKAPPE WEIßE
14	81004354/0	4	COPRIMOZZO ROSSO	HUB CAP RED	COUVRE-MOYEU ROUGE	RADKAPPE RÖTE
15	22686082/0	2	RUOTA Ø 160	WHEEL Ø 160	ROUE Ø 160	RAD Ø 160
16	12728450/0	2	VITE	SCREW	VIS	SCHRAUBE
17	22600044/1	1	PARASASSI	STONE-GUARD	PARE-PIERRES	PRALLBLECH
18	22512601/0	1	PERNO	PIN	PIVOT	BOLZEN

1

2

3

4

5

6

19	22450250/ 0	1	MOLLA	SPRING	RESSORT	FEDER		H 350
20	81006940/ 0	1	MANICO, PARTE INFERIORE SX	HANDLE, LEFT LOWER PART	GAUCHE MANCHERON, PARTIE INFERIEURE	HOLM, LINKE UNTERTEIL		K 350
21	81006939/ 0	1	MANICO, PARTE INFERIORE DX	HANDLE, RIGHT LOWER PART	DROITE MANCHERON, PARTIE INFERIEURE	HOLM, RECHTE UNTERTEIL		K 390
22	12819120/ 0	2	VITE	SCREW	VIS	SCHRAUBE		C 350
23	22680006/ 1	2	RONDELLA	WASHER	RONDELLE	SCHEIBE		C 390
24	22399900/ 0	2	MANOPOLINA	KNOB	POIGNÉE	GRIFF		NG 410 / 410 S
25	12293200/ 0	2	DADO	NUT	ECROU	MUTTER		NG 460
26	81006941/ 2	1	MANICO, PARTE SUPERIORE	HANDLE, UPPER PART	MANCHERON, PARTIE SUPERIEURE	HOLM, OBERTEIL		NG 414
27	18566112/ 0	2	PUNTALE	CAP	BOUCHON	GUMMISTOPFEN		NG 464
28	22192151/ 0	1	FERMACAVO	FAIRLEAD	FIXATION CABLE	KABELBEFESTIGUNG		NG 464 TR
29	22192000/ 1	1	FASCETTA ANCORAGGIO	ANCHOR CLAMP	COLLIER ANCRAGE	BOWDENZUGHALTER		NG 464 TR-E
30	22195101/ 1	1	FERMACAVO	FAIRLEAD	FIXATION CABLE	KABELBEFESTIGUNG		NG 504
31	18710626/ 1	1	SALVAMOTORE - SENZA PROT. TERMICA	DEAD HAND SWITCH - WITHOUT OVERLOAD PROTECTION	INT. MAIN MORTE - SANS PROTECTION TERMIQUE	TOT MANSCHALTER - OHNE THERMISCHER SCHUTZ	MM. 601 MS	NG 504 TR
-	18710627/ 0	1	SALVAMOTORE - SENZA PROT. TERMICA	DEAD HAND SWITCH - WITHOUT OVERLOAD PROTECTION	INT. MAIN MORTE - SANS PROTECTION TERMIQUE	TOT MANSCHALTER - OHNE THERMISCHER SCHUTZ	MM. 603 MS	R 430 / 430 S
-	18710561/ 0	1	SALVAMOTORE	DEAD HAND SWITCH	INT. MAIN MORTE	TOT MANSCHALTER	MM. 7A 602 MS (1300W (BMEI))	R 480
-	18710608/ 0	1	SALVAMOTORE	DEAD HAND SWITCH	INT. MAIN MORTE	TOT MANSCHALTER	MM. 7A 603 MS (1300W (BMEI)) ONLY FOR SWITZERLAND	R 430 TR
-	18710620/ 1	1	SALVAMOTORE	DEAD HAND SWITCH	INT. MAIN MORTE	TOT MANSCHALTER	M.M. 7A 607 MS (1300W)	R 434
32	12540260/ 0	1	GROWER	GROWER	GROWER	FEDERRING		R 484
33	12293200/ 0	1	DADO	NUT	ECROU	MUTTER		R 534
34	22110275/ 0	1	TAPPO	CAP	BOUCHON	GUMMISTOPFEN		R 484 TR / TR-E
41	97008000/ 0	1	SACCO, COMPLETO	GRASSCATCHER, COMPLETE	SAC, COMPLETE	SACK, KOMPLETTE		R 534 TR / TR-E
42	22486069/ 0	2	SACCO, PARTE INFERIORE/ SUPERIORE	GRASS-BOX, UPPER/ LOWER PART	SAC, PARTIE INFERIEURE/ SUPERIEURE	KORB, OBER/ UNTERTEIL		RL 430 / 430 S
51	97007000/ 0	1	SACCO IN TELA, COMPLETO	GRASSCATCHER, CANVASS COMPLETE	SAC EN TOILE, COMPLETE	SACK, KOMPLETTE		RL 480
52	81006417/ 0	1	TELAIO SACCO	CHASSIS BOX	CHÂSSIS BAC	RAHMEN SACK		RL 434
53	81002147/ 0	1	SACCO, TELA	BOX, FABRIC	SAC, TOILE	SACK, TUCK		RL 484
-	81008592/ 0	1	DOTAZIONE VITERIA	OUTFIT, SCREWS	DOTATION VISSERIE	SATZ, SCHRAUBEN		RL 484 TR
								RL 484 TR-E
								RL 534 TR
								RL 534 TR-E
								TD 430 / 430 S
								TD 480
								TD 430 TR
								TD 434
								TD 484
								TD 534
								TD 484 TR
								TD 484 TR-E
								TD 534 TR
								TD 534 TR-E
								TDL 430 / 430 S
								TDL 480
								TDL 430 TR
								TDL 434
								TDL 484
								TDL 534
								TDL 484 TR
								TDL 484 TR-E
								TDL 534 TR
								TDL 534 TR-E
								CA 430
								CA 480
								CA 434
								CA 484
								CA 534
								CA 430 TR
								CA 434 TR
								CA 484 TR / TR-E
								CA 534 TR / TR-E
								CAL 430
								CAL 480
								CAL 434
								CAL 484
								CAL 534
								CAL 430 TR
								CAL 434 TR
								CAL 484 TR / TR-E
								CAL 534 TR / TR-E
								T 430 / 430 S
								T 480
								T 434
								T 484
								T 484 TR
								T 484 TR-E
								PAN 504
								PAN 504 TR
								PAN 504 TR-E
								PAN 504 TR-E 3S
								PAN 504 TR 3S
								NP 534
								NP 534 TR
								NP 534 TR-E
								NP 534 TR 3S
								NP 534 TR-E 3S
								S 474 L

1

2

3

4

5

6