

| Pos. | Code | Q.ty | Descrizione | Description | Description | Beschreibung | Remarks |
|------|------------|------|----------------|-------------|---------------|--------------|---------|
| 1 | 81001954/0 | 1 | CHASSIS GIALLO | DECK YELLOW | CHÂSSIS JAUNE | GEHÄUSE GELB | |
| 2 | 12691800/0 | 0/1 | VITE | SCREW | VIS | SCHRAUBE | |
| - | 12793701/0 | 3/2 | VITE | SCREW | VIS | SCHRAUBE | |
| 3 | 12792610/0 | 2 | VITE | SCREW | VIS | SCHRAUBE | |
| 4 | 22041955/0 | 4 | BUSSOLA | BUSH | DOUILLE | BUCHSE | |
| 5 | 12155000/0 | 2 | DADO | NUT | ECROU | MUTTER | |
| 6 | 12793700/0 | 2 | VITE | SCREW | VIS | SCHRAUBE | |
| 7 | 22399804/0 | 4 | MANOPOLINA | KNOB | POIGNÉE | GRIFF | |



GLOBAL GARDEN PRODUCTS

| Pos. | Code | Q.ty | Descrizione | Description | Description | Beshreibung | Remarks |
|------|------------|------|---------------------------|---------------------------|------------------------------|---------------------|----------------------------|
| 8 | 12293200/0 | 4 | DADO | NUT | ECROU | MUTTER | |
| 9 | 81006521/0 | 1 | MANICO INFERIORE | HANDLE, LOWER PART | MANCHERON INFERIEURE | HOLM, UNTERTEIL | |
| 10 | 12819201/0 | 1 | VITE | SCREW | VIS | SCHRAUBE | |
| 10A | 81003801/1 | 1 | MOLLA GUIDA | GUIDE SPRING | RESSORT DE GUIDE | FEDER FÜHRER | |
| 11 | 22680006/1 | 2 | ROSETTA | WASHER | RONDELLE | SCHEIBE | |
| 12 | 12293201/0 | 3/2 | DADO | NUT | ECROU | MUTTER | |
| - | 12155000/0 | 0/1 | DADO | NUT | ECROU | MUTTER | |
| 15 | 81000643/0 | 1 | CAVO FRENO MOTORE | CABLE, THREAD MOTOR BRAKE | CABLE FREIN MOTEUR | KABEL, MOTORBREMSE | (B&S CLASSIC/SPRINT/LS/LC) |
| - | 81000642/0 | 1 | CAVO FRENO MOTORE | CABLE, THREAD MOTOR BRAKE | CABLE FREIN MOTEUR | KABEL, MOTORBREMSE | (B&S QUANTUM) |
| - | 81000640/0 | 1 | CAVO FRENO MOTORE | CABLE, THREAD MOTOR BRAKE | CABLE FREIN MOTEUR | KABEL, MOTORBREMSE | (HONDA GCV 135/160) |
| - | 81000611/0 | 1 | CAVO FRENO MOTORE | CABLE, THREAD MOTOR BRAKE | CABLE FREIN MOTEUR | KABEL, MOTORBREMSE | (SUMEC) |
| 17 | 22600068/1 | 1 | PARASASSI | STONE-GUARD | PARE-PIERRES | PRALLBLECH | |
| 20 | 12728518/0 | 1 | VITE | SCREW | VIS | SCHRAUBE | |
| 21 | 22806612/0 | 1 | SUPPORTO | SUPPORT | SUPPORT | HALTER | |
| 28 | 81007018/1 | 1 | MANICO, PARTE SUP | HANDLE, UPPER PART | MANCHERON, PARTIE SUPERIEURE | HOLM, OBERTEIL | |
| 30 | 81003291/3 | 1 | LEVA FRENO MOTORE | LEVER, MOTOR BRAKE | LEVIER FREIN MOTEUR | HEBEL, MOTORBREMSE | |
| 31 | 22291052/0 | 1 | IMPUGNATURA MANICO GIALLA | HANDGRIP YELLOW | POIGNÉE JAUNE | HANDGRIFF GELBER | |
| - | 22291050/0 | 1 | IMPUGNATURA MANICO NERA | HANDGRIP BLACK | POIGNÉE NOIRE | HANDGRIFF SCHWARZER | |
| - | 22291051/0 | 1 | IMPUGNATURA MANICO ROSSA | HANDGRIP RED | POIGNÉE ROUGE | HANDGRIFF RÖTER | |
| 34 | 22041966/0 | 2 | BUSSOLA | BUSH | DOUILLE | BUCHSE | |
| 44 | 22291150/0 | 1 | INSERTO IN GOMMA | RUBBER INSERT | INSERT DE GAOUTCHOUC | GUMMI EINSATZ | |
| 45 | 22038403/0 | 1 | BRONZINA SX | L BUSH | DOUILLE G | LINKE BUCHSE | |
| 46 | 22545142/0 | 2 | PIASTRINA | PLATE | PLAQUETTE | PLÄTTCHEN | |
| 47 | 12737350/0 | 4 | VITE | SCREW | VIS | SCHRAUBE | |
| 48 | 22038402/0 | 1 | BRONZINA DX | R BUSH | DOUILLE D | RECHTE BUCHSE | |
| 49 | 81008637/1 | 1 | DOTAZIONE VITERIA | OUTFIT, SCREWS | DOTATION VISSERIE | SATZ, SCHRAUBEN | |
| 51 | 22785119/0 | 1 | FULCRO | FULCRUM PIN | POINT D'APPUI | GELENKPUNKT | |
| 52 | 12728680/0 | 3 | VITE | SCREW | VIS | SCHRAUBE | |
| 53 | 22785127/0 | 1 | SUPPORTO | SUPPORT | SUPPORT | HALTER | |
| 54 | 22450430/0 | 1 | MOLLA | SPRING | RESSORT | FEDER | |
| 55 | 12731600/1 | 3 | VITE | SCREW | VIS | SCHRAUBE | |

VARIANTE ACCELERATORE - THROTTLE MODIFICATION - MODIFICATION COMMANDE D'ACCELERATION - ÄNDERUNGEN AUF GASHEBEL

| Pos. | Code | Q.ty | Descrizione | Description | Description | Beshreibung | Remarks |
|------|------------|------|--------------------|-----------------|----------------------|----------------------|---------|
| 151 | 12291000/0 | 1 | DADO | NUT | ECROU | MUTTER | |
| 152 | 12581500/0 | 1 | GROWER | GROWER | GROWER | FEDERRING | |
| 153 | 22171005/0 | 1 | DISTANZIALE | SPACER | ENTRETOISE | DISTANZRING | |
| 154 | 12521360/0 | 1 | ROSETTA | WASHER | RONDELLE | SCHEIBE | |
| 155 | 12508100/0 | 1 | ROSETTA ELASTICA | SPRING WASHER | RONDELLE ELASTIQUE | ELASTISCHE SCHEIBE | |
| 156 | 81007279/1 | 1 | LEVA, ACCELERATORE | LEVER, THROTTLE | LEVIER, ACCELERATEUR | HEBEL, BESHLEUNIGER | |
| 157 | 81007080/0 | 1 | CAVO ACCELERATORE | CABLE, TROTTLE | CABLE, ACCELERATEUR | KABLE, BESCHLEUNIGER | |
| 158 | 12815000/0 | 1 | VITE | SCREW | VIS | SCHRAUBE | |
| 159 | 14356703/0 | 1 | ETICHETTA | LABEL | ETIQUETTE | ETIKETTE | (B&S) |
| - | 14356702/0 | 1 | ETICHETTA | LABEL | ETIQUETTE | ETIKETTE | (HONDA) |
| - | 14360197/0 | 1 | ETICHETTA | LABEL | ETIQUETTE | ETIKETTE | (SUMEC) |

VARIANTE REGIME FISSO - FIXED SPEED MODIFICATION - MODIFICATION POUR MODÈLE À REGIME FIXE - ÄNDERUNGEN FÜR MODELLE MIT FESTEN DRENZAHL

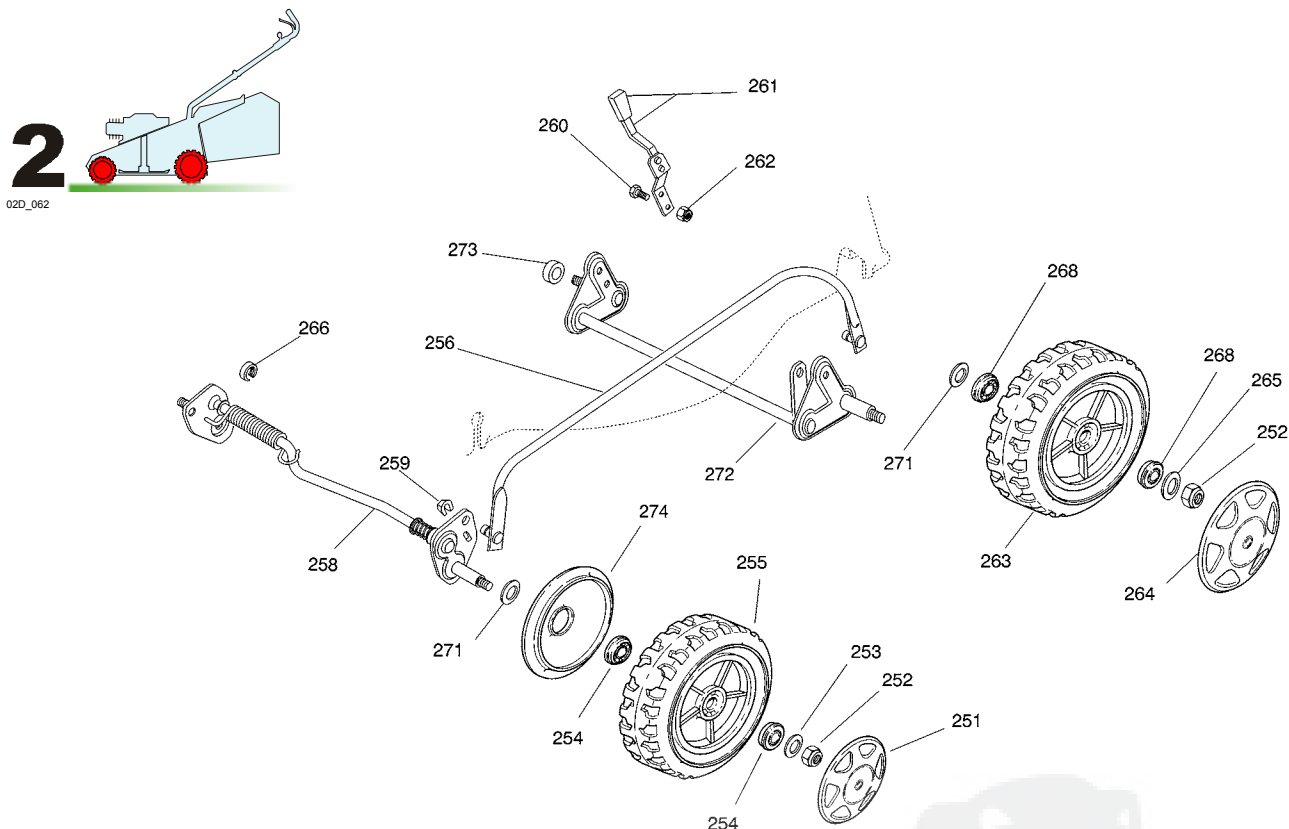
| Pos. | Code | Q.ty | Descrizione | Description | Description | Beshreibung | Remarks |
|------|------------|------|-------------|-------------|-------------|-------------|---------|
| 201 | 22601000/0 | 1 | PROTEZIONE | PROTECTION | PROTECTION | SCHUTZ | |



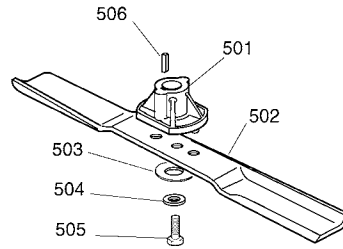
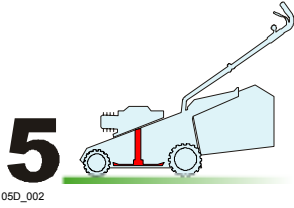
GLOBAL GARDEN PRODUCTS

VARIANTE MULCHING - MULCHING MODIFICATION - MODIFICATION MULCHING - ÄNDERUNGEN MULCHING

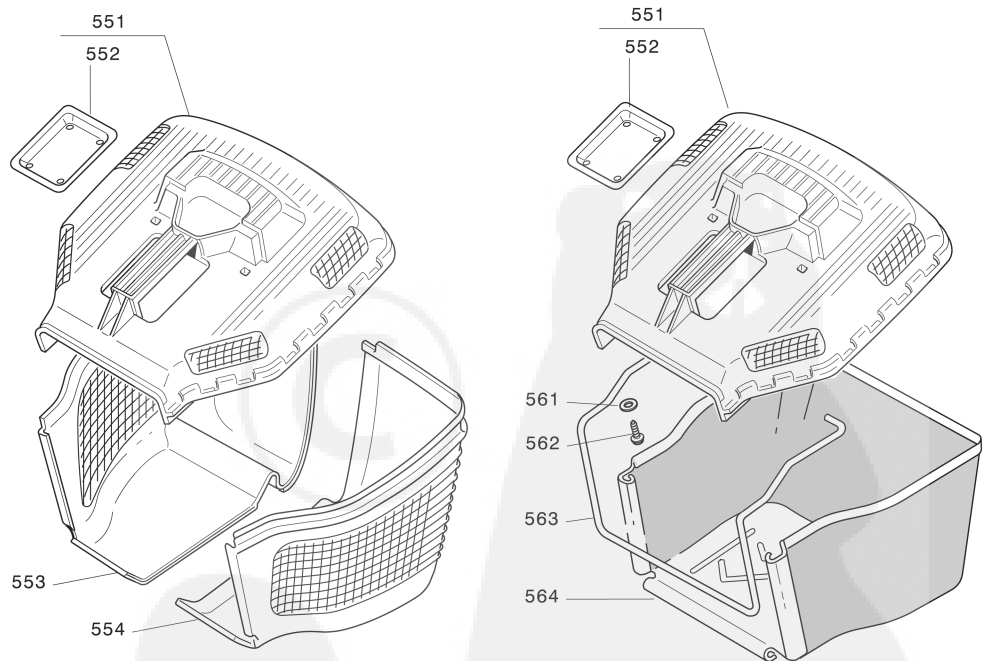
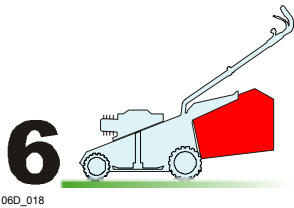
| Pos. | Code | Q.ty | Descrizione | Description | Description | Beschreibung | Remarks |
|------|------------|------|-------------|-------------|-------------|--------------|---------|
| 231 | 22140223/0 | 1 | DEFLETTORE | DEFLECTOR | DEFLECTEUR | DEFLEKTOR | |
| 232 | 22060198/0 | 1 | CARTER | PROTECTION | PROTECTION | SCHUTZ | |
| 233 | 12728530/0 | 2 | VITE | SCREW | VIS | SCHRAUBE | |



| Pos. | Code | Q.ty | Descrizione | Description | Description | Beschreibung | Remarks |
|------|------------|------|-----------------------------|--------------------------------|-------------------------------|-------------------------|---------|
| 251 | 22110310/0 | 2 | COPRIMOZZO GIALLO | HUB CAP YELLOW | COUVRE-MOYEU JAUNE | RADKAPPE GELBE | |
| 252 | 12155000/0 | 4 | DADO | NUT | ECROU | MUTTER | |
| 253 | 12521350/0 | 2 | ROSETTA | WASHER | RONDELLE | SCHEIBE | |
| 254 | 22122200/0 | 8 | CUSCINETTO | BEARING | COUSSINET | LAGER | |
| 255 | 81007351/0 | 2 | RUOTA Ø 170 | WHEEL Ø 170 | ROUE Ø 170 | RAD. Ø 170 | |
| 256 | 81006483/1 | 1 | ASTA COMANDO REGOL. ALTEZZA | ROD, HEIGHT ADJUSTMENT CONTROL | TIGE COMMANDE REGLAGE HAUTEUR | STANGE, HÖHEVERSTELLUNG | |
| 258 | 81000143/1 | 1 | ASSE RUOTE ANTERIORE | AXLE, FRONT WHEELS | AXE ROUES AVANT | ACHSE, VORDERRAD | |
| 259 | 12436050/0 | 2 | PIASTRINA | PLATE | PLAQUETTE | PLÄTTCHEN | |
| 260 | 12789000/0 | 2 | VITE | SCREW | VIS | SCHRAUBE | |
| 261 | 81003283/1 | 1 | LEVA REGOLAZIONE ALTEZZA | LEVER, HEIGHT ADJUSTMENT | LEVIER REGLAGE HAUTEUR | HEBEL, HÖNEVERSTELLUNG | |
| 262 | 12154330/0 | 2 | DADO | NUT | ECROU | MUTTER | |
| 263 | 81007343/0 | 2 | RUOTA | WHEEL | ROUE | RAD | |
| 264 | 22110309/0 | 2 | COPRIMOZZO GIALLO | HUB CAP YELLOW | COUVRE-MOYEU JAUNE | RADKAPPE GELBE | |
| 265 | 12369500/0 | 2 | DISCO ELASTICO | ELASTIC WASHER | DISQUE ELASTIQUE | FEDERSCHEIBE | |
| 266 | 22171002/0 | 1 | DISTANZIALE | SPACER | ENTRETOISE | DISTANZRING | |
| 268 | 22122200/0 | 4 | CUSCINETTO | BEARING | COUSSINET | LAGER | |
| 271 | 12530150/0 | 2 | ROSETTA ELASTICA | SPRING WASHER | RONDELLE ELASTIQUE | ELASTISCHE SCHEIBE | |
| 272 | 81001278/0 | 1 | ASSE RUOTE POSTERIORE | AXLE, REAR WHEELS | AXE ROUES ARRIERE | ACHSE, HINTERRAD | |
| 273 | 22171002/0 | 1 | DISTANZIALE | SPACER | ENTRETOISE | DISTANZRING | |
| 274 | 22600094/0 | 2 | PROTEZIONE | PROTECTION | PROTECTION | SCHUTZ | |



| Pos. | Code | Q.ty | Descrizione | Description | Description | Beshreibung | Remarks |
|------|------------|------|-------------------|----------------|------------------|-----------------|---------|
| 501 | 22463012/1 | 1 | MOZZO | HUB | MOYEU | HALTER | |
| 502 | 81004381/1 | 1 | COLTELLO STANDARD | BLADE STANDARD | LAME STANDARD | MESSER STANDARD | (51 cm) |
| 503 | 22160400/0 | 1 | DISCO ELASTICO | ELASTIC WASHER | DISQUE ELASTIQUE | FEDERSCHEIBE | |
| 504 | 12523080/0 | 1 | ROSETTA | WASHER | RONDELLE | SCHEIBE | |
| 505 | 12735698/0 | 1 | VITE | SCREW | VIS | SCHRAUBE | |
| 506 | 12139100/0 | 1 | LINGUETTA | FEATHER | CLAVETTE | KEIL | |



| Pos. | Code | Q.ty | Descrizione | Description | Description | Beshreibung | Remarks |
|------|------------|------|------------------|-----------------------|------------------------|--------------------|---------|
| 551 | 22486095/0 | 1 | SACCO, PARTE SUP | GRASS-BOX, UPPER PART | SAC, PARTIE SUPERIEURE | KORB, OBERTEIL | |
| 552 | 22486098/0 | 1 | PIASTRINA | PLATE | PLAQUETTE | PLÄTTCHEN | |
| 553 | 22486099/0 | 1 | SACCO PARTE INF | GRASS-BOX, LOWER PART | SAC, PARTIE INFERIEURE | KORB, UNTERTEIL | DX |
| 554 | 22486100/0 | 1 | SACCO PARTE INF | GRASS-BOX, LOWER PART | SAC, PARTIE INFERIEURE | KORB, UNTERTEIL | SX |
| 561 | 12521460/0 | 2 | ROSETTA | WASHER | RONDELLE | SCHEIBE | |
| 562 | 12728300/0 | 2 | VITE | SCREW | VIS | SCHRAUBE | |
| 563 | 22608528/0 | 1 | RINFORZO INF | STIFFENING LOWER | RÉNFORCEMENT INF | VERSTÄRKUNG UNTERE | |
| 564 | 81002235/0 | 1 | SACCO, TELA | BOX, FABRIC | SAC, TOILE | SACK, TUCK | |