



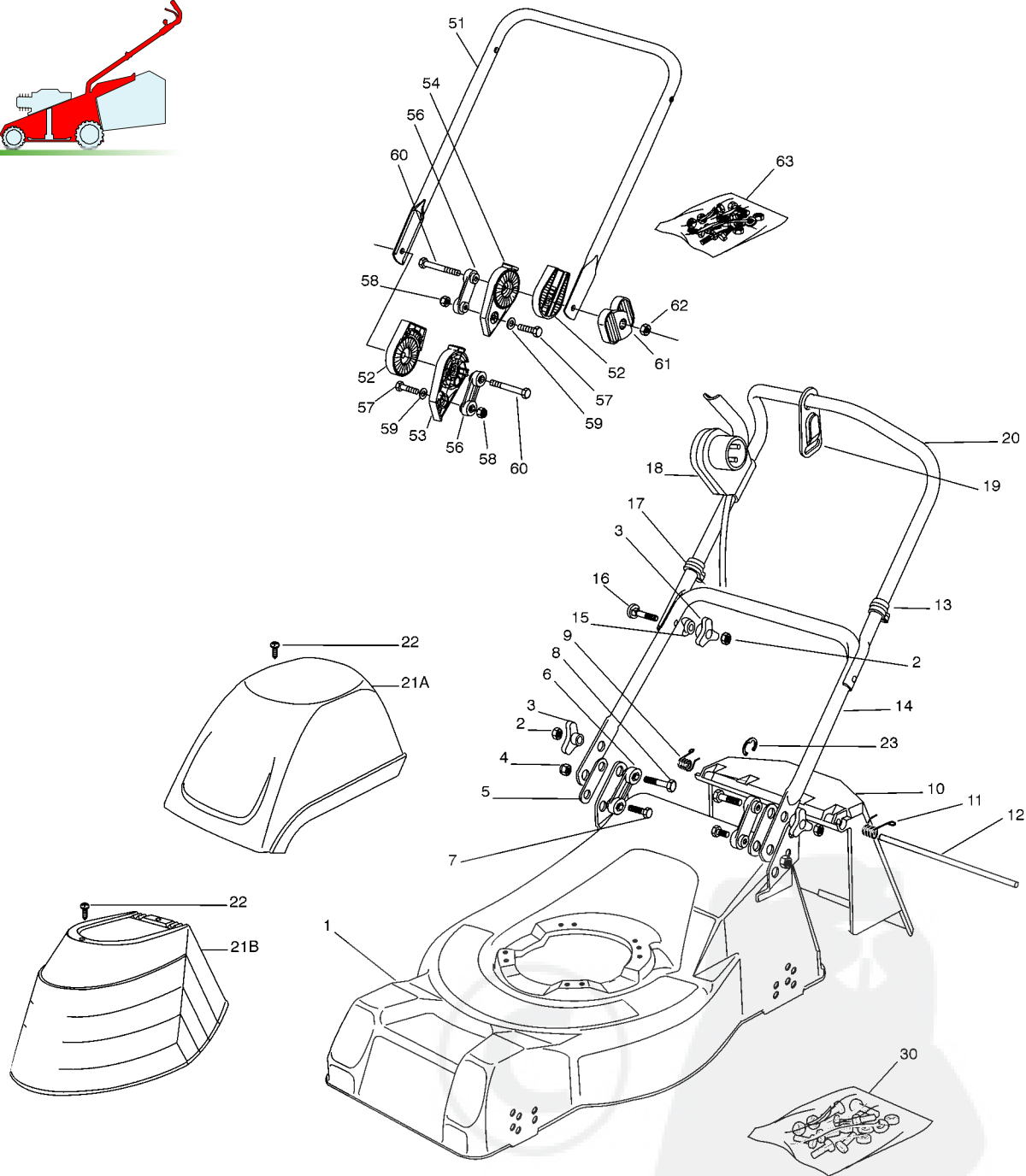
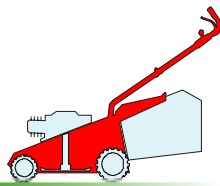
54

GLOBAL GARDEN PRODUCTS

NG 410 - NG 410 S - NG 460

**1**

01D\_NG410



Pos.	Code	Q.ty	Descrizione	Description	Description	Beschreibung	Remarks
1	81002412/0	1	CHASSIS GIALLO	DECK YELLOW	CHÂSSIS JAUNE	GEHÄUSE GELB	(NG 410 - NG 410 S)
-	81002414/0	1	CHASSIS ROSSO	DECK RED	CHÂSSIS ROUGE	GEHÄUSE ROT	(NG 410 - NG 410 S)
-	81002487/0	1	CHASSIS VERDE	DECK GREEN	CHÂSSIS VERT	GEHÄUSE GRÜN	(NG 410 - NG 410 S)
-	81002413/0	1	CHASSIS GIALLO	DECK YELLOW	CHÂSSIS JAUNE	GEHÄUSE GELB	(NG 460)
-	81002415/0	1	CHASSIS ROSSO	DECK RED	CHÂSSIS ROUGE	GEHÄUSE ROT	(NG 460)
-	81002408/0	1	CHASSIS VERDE	DECK GREEN	CHÂSSIS VERT	GEHÄUSE GRÜN	(NG 460)
2	12293200/0	4	DADO	NUT	ECROU	MUTTER	
3	22399900/0	4	MANOPOLINA	KNOB	POIGNÉE	GRIF	
4	12155000/0	2	DADO	NUT	ECROU	MUTTER	
5	22551574/0	2	PIASTRINA ESTERNA	PLATE, OUTSIDE	PLAQUETTE EXTERNE	PLATTE, ÄUßERE	
6	22551575/0	2	PIASTRINA INTERNA	PLATE, INSIDE	PLAQUETTE INTERNE	PLATTE, INNERE	
7	12793300/0	2	VITE	SCREW	VIS	SCHRAUBE	
8	12691115/0	2	VITE	SCREW	VIS	SCHRAUBE	
9	22450410/1	1	MOLLA DX	R SPRING	RESSORT D	RECHTE FEDER	

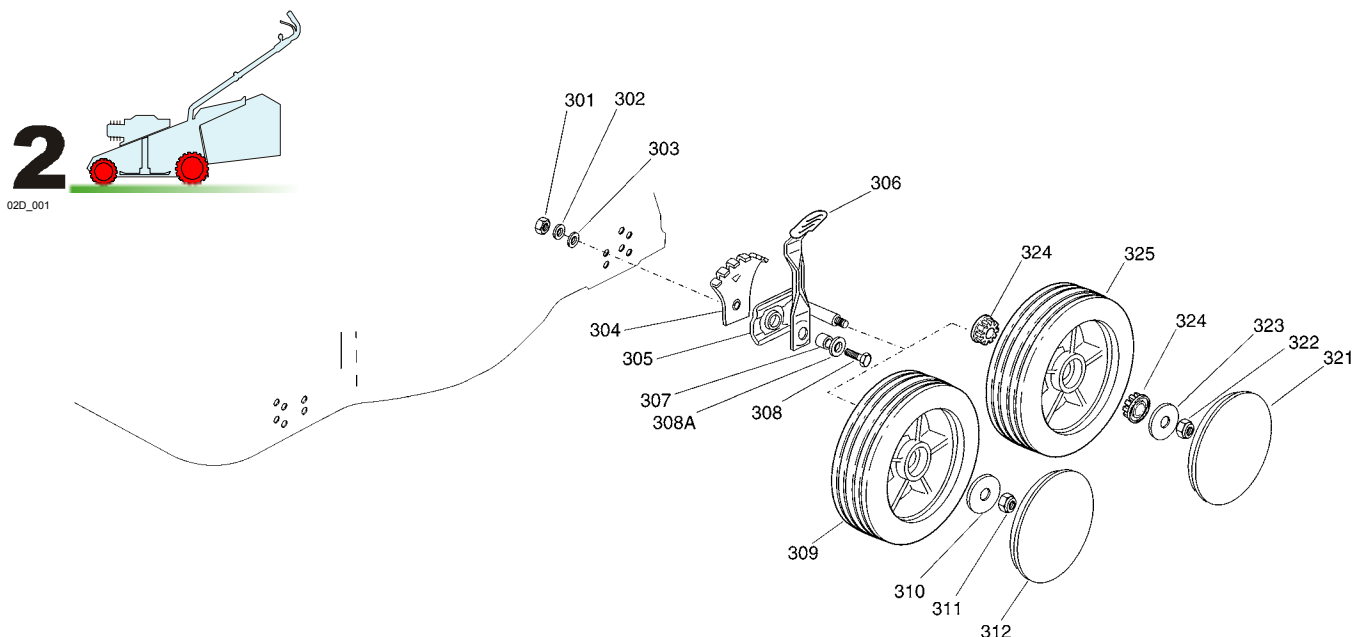


## GLOBAL GARDEN PRODUCTS

Pos.	Code	Q.ty	Descrizione	Description	Description	Beshreibung	Remarks
10	22600028/4	1	PARASASSI	STONE-GUARD	PARE-PIERRES	PRALLBLECH	
11	22450420/1	1	MOLLA SX	L SPRING	RESSORT G	LINKE FEDER	
12	22517906/1	1	PERNO	PIN	PIVOT	BOLZEN	
13	22192151/0	1	FERMACAVO	FAIRLEAD	FIXATION CABLE	KABELBEFESTIGUNG	
14	81006512/0	1	MANICO INFERIORE	HANDLE, LOWER PART	MANCHERON INFERIEURE	HOLM, UNTERTEIL	
15	22680006/1	2	ROSETTA	WASHER	RONDELLE	SCHEIBE	
16	12819201/0	2	VITE	SCREW	VIS	SCHRAUBE	
17	22192000/1	2	FASCETTA ANCORAGGIO	ANCHOR CLAMP	COLLIER ANCRAGE	BOWDENZUGHALTER	
18	-	1	SALVAMOTORE	DEAD HAND SWITCH	INT. MAIN MORTE	TOT MANSCHALTER	(SEE ENCLOSURE 2)
19	22195101/4	1	FERMACAVO	FAIRLEAD	FIXATION CABLE	KABELBEFESTIGUNG	
20	81007017/2	1	MANICO SUPERIORE	HANDLE, UPPER PART	MANCHERON SUPERIEURE	HOLM, OBERTEIL	
21A	81002060/0	1	CAPOTTINA	COVER	CAPOT	HAUBE	
21B	22055033/1	1	CAPOTTINA	COVER	CAPOT	HAUBE	
22	12728680/0	2	VITE	SCREW	VIS	SCHRAUBE	
23	12000930/0	1	ANELLO ELASTICO	SNAP RING	ANNEAU RESSORT	SPRENGRING	
30	81008596/1	1	DOTAZIONE VITERIA	OUTFIT, SCREWS	DOTATION VISSERIE	SATZ, SCHRAUBEN	

### VARIANTE REGOLAZIONE MANICO - HANDLE ADJUSTMENT MODIFICATION - MODIFICATION REGLAGE POIGNEE - ÄNDERUNG GRIFFENSTEEL

Pos.	Code	Q.ty	Descrizione	Description	Description	Beshreibung	Remarks
51	81006532/0	1	MANICO INFERIORE	HANDLE, LOWER PART	MANCHERON INFERIEURE	HOLM, UNTERTEIL	
52	22785081/1	2	SUPPORTO ESTERNO	SUPPORT, EXTERNAL	SUPPORT EXTERNE	HALTER, AUßERE	
53	22785082/0	1	SUPPORTO INTERNO DX	SUPPORT, R INTERNAL	SUPPORT INTERNE D	HALTER, INNERE R	
54	22785083/1	1	SUPPORTO INTERNO SX	SUPPORT, L INTERNAL	SUPPORT INTERNE G	HALTER, INNERE L	
56	22551575/0	2	PIASTRINA INTERNA	PLATE, INSIDE	PLAQUETTE INTERNE	PLATTE, INNERE	
57	12793701/0	2	VITE	SCREW	VIS	SCHRAUBE	
58	12155000/0	2	DADO	NUT	ECROU	MUTTER	
59	12521350/0	2	ROSETTA	WASHER	RONDELLE	SCHEIBE	
60	12691810/0	2	VITE	SCREW	VIS	SCHRAUBE	
61	22399803/0	2	MANOPOLINA	KNOB	POIGNÉE	GRIFF	
62	12293202/0	2	DADO	NUT	ECROU	MUTTER	
63	81008622/0	1	DOTAZIONE VITERIA	OUTFIT, SCREWS	DOTATION VISSERIE	SATZ, SCHRAUBEN	



## VARIANTI RUOTE - WHEEL MODIFICATIONS - MODIFICATIONS ROUESILLES - ÄNDERUNGEN AUF RÄDER

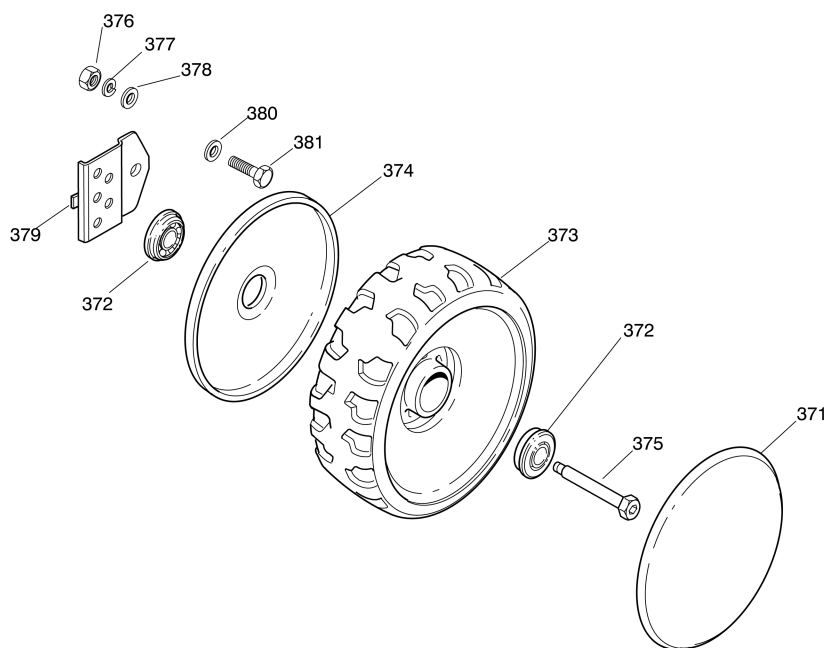
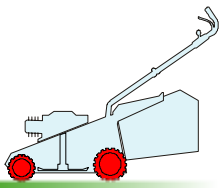
Pos.	Code	Q.ty	Descrizione	Description	Description	Beschreibung	Remarks
301	12293200/0	4	DADO	NUT	ECROU	MUTTER	
302	12583500/0	4	GROWER	GROWER	GROWER	FEDERRING	
303	12523070/0	4	ROSETTA	WASHER	RONDELLE	SCHEIBE	
304	22735547/0	4	SETTORE REGOLAZIONE ALTEZZA	SECTOR, HEIGHT ADJUSTMENT	SECTEUR REGLAGE HAUTEUR	SEKTOR, HÖHEVERSTELLUNG	
305	81005082/0	4	SUPPORTO RUOTA	SUPPORT, WHEEL	SUPPORT ROUE	HALTER, RAD	
306	81003285/1	4	LEVA REGOLAZIONE ALTEZZA	LEVER, HEIGHT ADJUSTMENT	LEVIER REGLAGE HAUTEUR	HEBEL, HÖNEVERSTELLUNG	
307	22171001/0	4	DISTANZIALE	SPACER	ENTRETOISE	DISTANZRING	
308	12793701/0	4	VITE	SCREW	VIS	SCHRAUBE	
308A	12521350/0	4	ROSETTA	WASHER	RONDELLE	SCHEIBE	
309	81007325/0	4	RUOTA Ø 170	WHEEL Ø 170	ROUE Ø 170	RAD. Ø 170	
310	12523060/0	4	ROSETTA	WASHER	RONDELLE	SCHEIBE	
311	12293201/0	4	DADO	NUT	ECROU	MUTTER	
312	22110262/0	4	COPRIMOZZO BIANCO	HUB CAP WHITE	COUVRE-MOYEU BLANC	RADKAPPE WEIßE	
313	22110263/0	4	COPRIMOZZO GIALLO	HUB CAP YELLOW	COUVRE-MOYEU JAUNE	RADKAPPE GELBE	
314	22110264/0	4	COPRIMOZZO ROSSO	HUB CAP RED	COUVRE-MOYEU ROUGE	RADKAPPE ROTE	

## VARIANTI RUOTE Ø 170 SU BOCCOLE - WHEEL Ø 170 MODIFICATIONS ON BUSHES - MODIFICATIONS ROUES Ø 170 SUR DOUILLES - ÄNDERUNGEN AUF RÄDER Ø 170 MIT BÜCHSE

Pos.	Code	Q.ty	Descrizione	Description	Description	Beschreibung	Remarks
321	22110262/0	4	COPRIMOZZO BIANCO	HUB CAP WHITE	COUVRE-MOYEU BLANC	RADKAPPE WEIßE	
-	22110263/0	4	COPRIMOZZO GIALLO	HUB CAP YELLOW	COUVRE-MOYEU JAUNE	RADKAPPE GELBE	
-	22110264/0	4	COPRIMOZZO ROSSO	HUB CAP RED	COUVRE-MOYEU ROUGE	RADKAPPE ROTE	
322	12155000/0	4	DADO	NUT	ECROU	MUTTER	
323	12523060/0	4	ROSETTA	WASHER	RONDELLE	SCHEIBE	
324	22034508/0	8	BUSSOLA	BUSH	DOUILLE	BÜCHSE	
325	81007326/0	4	RUOTA Ø 170	WHEEL Ø 170	ROUE Ø 170	RAD. Ø 170	

2

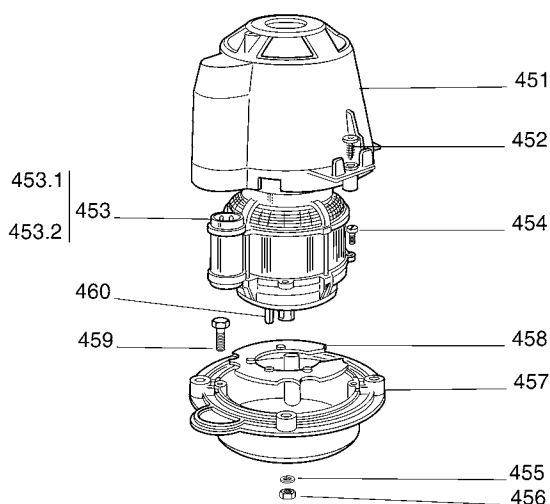
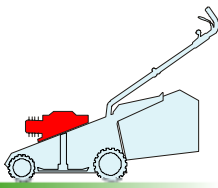
02D\_032



Pos.	Code	Q.ty	Descrizione	Description	Description	Beschreibung	Remarks
371	22110262/0	4	COPRIMOZZO BIANCO	HUB CAP WHITE	COUVRE-MOYEU BLANC	RADKAPPE WEIßE	
372	22034515/1	8	BUSSOLA	BUSH	DOUILLE	BUCHSE	
373	22686091/1	4	RUOTA Ø 165	WHEEL Ø 165	ROUE Ø 165	RAD Ø 165	
374	22600095/0	4	PROTEZIONE	PROTECTION	PROTECTION	SCHUTZ	
375	22524340/0	4	PERNO	PIN	PIVOT	BOLZEN	
376	12293200/0	4	DADO	NUT	ECROU	MUTTER	
377	12583500/0	4	GROWER	GROWER	GROWER	FEDERRING	
378	12523070/0	4	ROSETTA	WASHER	RONDELLE	SCHEIBE	
379	22551515/0	4	PIASTRINA	PLATE	PLAQUETTE	PLÄTTCHEN	
380	12521350/0	4	ROSETTA	WASHER	RONDELLE	SCHEIBE	
381	12793102/0	4	VITE	SCREW	VIS	SCHRAUBE	

4

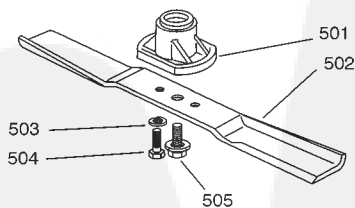
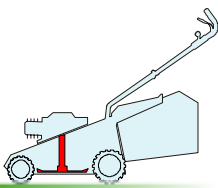
04D\_001



Pos.	Code	Q.ty	Descrizione	Description	Description	Beshreibung	Remarks
451	22785061/0	1	SUPPORTO CAPOTTINA	SUPPORT, COVER	SUPPORT CAPOT	HALTER, HAUBE	
452	12728710/0	4	VITE	SCREW	VIS	SCHRAUBE	
453	18563605/0	1	MOTORE ATB	MOTOR ATB	MOTEUR ATB	MOTOR ATB	230V (1600W)
-	18563009/0	1	MOTORE RST	MOTOR RST	MOTEUR RST	MOTOR RST	230V (1600W)
-	18563607/0	1	MOTORE ATB	MOTOR ATB	MOTEUR ATB	MOTOR ATB	240V (1600W)
453.1	18740054/0	1	VENTOLA PER MOTORE ATB	FAN MOTOR ATB	VENTILATEUR MOTEUR ATB	LÜFTER MOTOR ATB	
-	18740051/0	1	VENTOLA PER MOTORE RST	FAN MOTOR RST	VENTILATEUR MOTEUR RST	LÜFTER MOTOR RST	
453.2	18222045/0	1	CONDENSATORE 16 µF	CONDENSER 16 µF	CONDENSEUR 16 µF	KONDENSATOR 16 µF	(ATB)
-	18222038/0	1	CONDENSATORE 20 µF	CONDENSER 20 µF	CONDENSEUR 20 µF	KONDENSATOR 20 µF	(RST)
454	12735410/0	4	VITE	SCREW	VIS	SCHRAUBE	
455	12583500/0	4	GROWER	GROWER	GROWER	FEDERRING	
456	12293200/0	4	DADO	NUT	ECROU	MUTTER	
457	22207211/3	1	FLANGIA	FLANGE	BRIDE	FLANSCH	
458	22720360/1	1	SCHERMO VENTILAZIONE	VENTILATION SCREEN	ECRAN VENTILATION	LÜFTUNGSSCHIRM	
459	12793700/0	4	VITE	SCREW	VIS	SCHRAUBE	
460	12139440/0	1	LINGUETTA	FEATHER	CLAVETTE	KEIL	

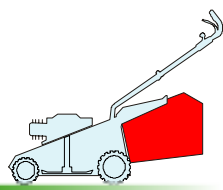
5

05D\_001

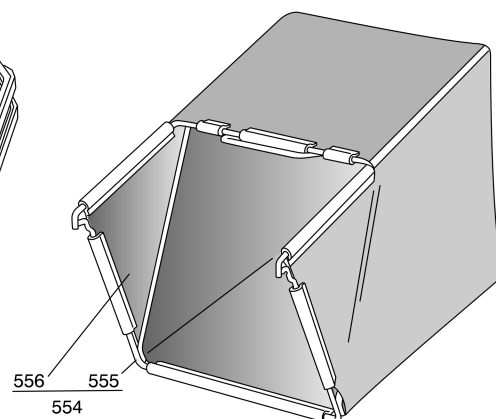
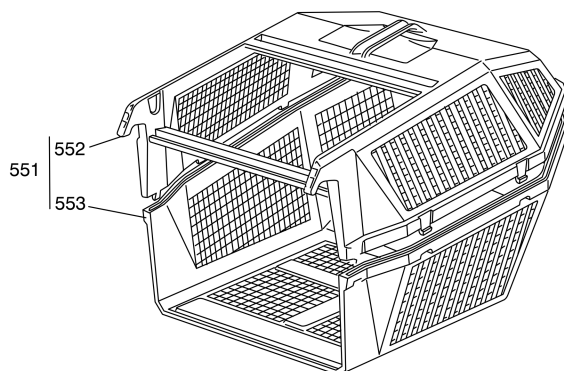


Pos.	Code	Q.ty	Descrizione	Description	Description	Beshreibung	Remarks
501	22463186/2	1	MOZZO	HUB	MOYEU	HALTER	
502	81004360/3	1	COLTELLO STANDARD	BLADE STANDARD	LAME STANDARD	MESSER STANDARD	(39 cm)
-	81004365/3	1	COLTELLO STANDARD	BLADE STANDARD	LAME STANDARD	MESSER STANDARD	(44 cm)
503	12583500/0	2	GROWER	GROWER	GROWER	FEDERRING	
504	12793101/0	2	VITE	SCREW	VIS	SCHRAUBE	
505	81004352/0	1	VITE	SCREW	VIS	SCHRAUBE	

6



06D\_001



Pos.	Code	Q.ty	Descrizione	Description	Description	Beschreibung	Remarks
551	98005000/1	1	SACCO, COMPLETO	GRASSCATCHER, COMPLETE	SAC, COMPLETE	SACK, KOMPLETTE	
552	22486076/0	1	SACCO, PARTE SUP	GRASS-BOX, UPPER PART	SAC, PARTIE SUPERIEURE	KORB, OBERTEIL	
553	22486077/0	1	SACCO PARTE INF	GRASS-BOX, LOWER PART	SAC, PARTIE INFERIEURE	KORB, UNTERTEIL	
554	98004000/0	1	SACCO IN TELA, COMPLETO	GRASSCATCHER, CANVASS COMPLETE	SAC EN TOILE, COMPLETE	SACK, KOMPLETTE	
555	81006408/0	1	TELAIO SACCO	CHASSIS BOX	CHÂSSIS BAC	RAHMEN SACK	
556	81002105/2	1	SACCO, TELA	BOX, FABRIC	SAC, TOILE	SACK, TUCK	