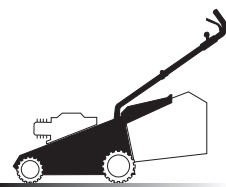
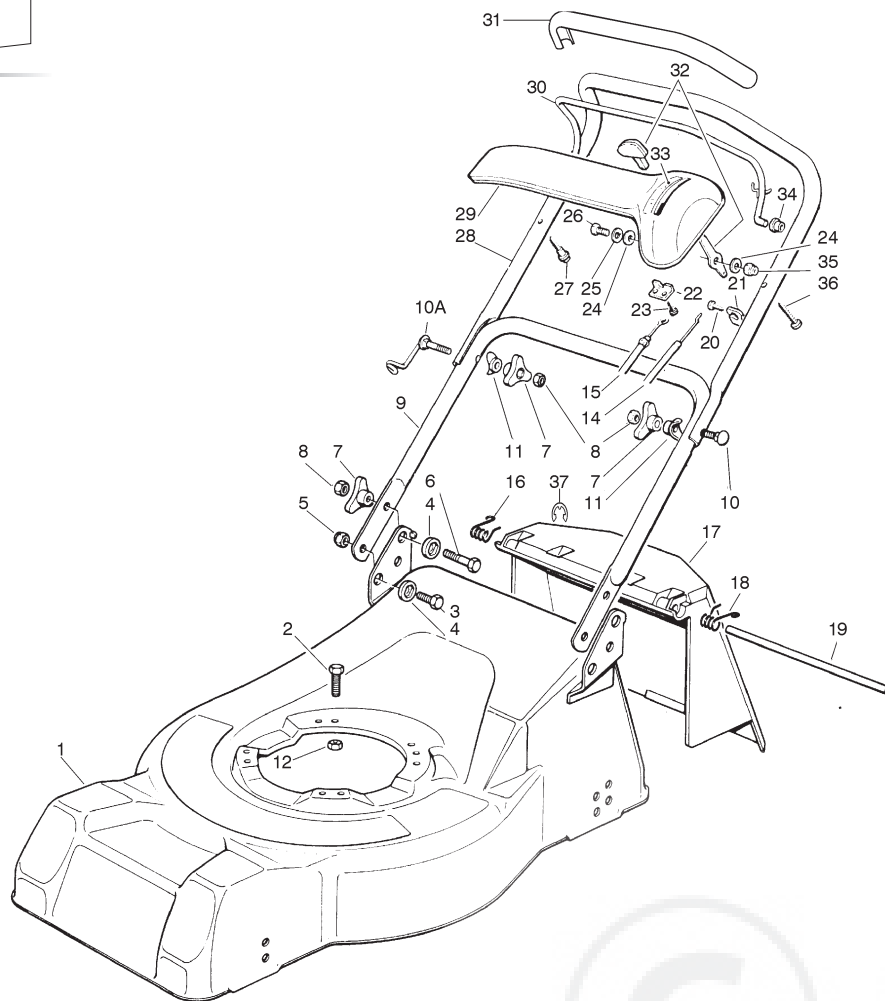


# 1



01D.009



|                   |
|-------------------|
| H 350             |
| K 350             |
| K 390             |
| C 350             |
| C 390             |
| NG 410 / 410 S    |
| NG 460            |
| NG 414            |
| NG 464            |
| NG 464 TR         |
| NG 464 TR-E       |
| NG 504            |
| NG 504 TR         |
| NG 504 TR-E       |
| R 430 / 430 S     |
| R 480             |
| R 430 TR          |
| R 434             |
| R 484             |
| R 534             |
| R 484 TR / TR-E   |
| R 534 TR / TR-E   |
| RL 430 / 430 S    |
| RL 480            |
| RL 430 TR         |
| RL 434            |
| RL 484            |
| RL 534            |
| RL 484 TR         |
| RL 484 TR-E       |
| RL 534 TR         |
| RL 534 TR-E       |
| TD 430 / 430 S    |
| TD 480            |
| TD 430 TR         |
| TD 434            |
| TD 484            |
| TD 534            |
| TD 484 TR         |
| TD 484 TR-E       |
| TD 534 TR         |
| TD 534 TR-E       |
| TDL 430 / 430 S   |
| TDL 480           |
| TDL 430 TR        |
| TDL 434           |
| TDL 484           |
| TDL 534           |
| TDL 484 TR        |
| TDL 484 TR-E      |
| TDL 534 TR        |
| TDL 534 TR-E      |
| CA 430            |
| CA 480            |
| CA 434            |
| CA 484            |
| CA 534            |
| CA 430 TR         |
| CA 434 TR         |
| CA 484 TR / TR-E  |
| CA 534 TR / TR-E  |
| CAL 430           |
| CAL 480           |
| CAL 434           |
| CAL 484           |
| CAL 534           |
| CAL 430 TR        |
| CAL 434 TR        |
| CAL 484 TR / TR-E |
| CAL 534 TR / TR-E |
| T 430 / 430 S     |
| T 480             |
| T 434             |
| T 484             |
| T 484 TR          |
| T 484 TR-E        |
| PAN 504           |
| PAN 504 TR        |
| PAN 504 TR-E      |
| PAN 504 TR-E 3S   |
| PAN 504 TR 3S     |
| NP 534            |
| NP 534 TR         |
| NP 534 TR-E       |
| NP 534 TR 3S      |
| NP 534 TR-E 3S    |
| S 474 L           |

01T.009

| Pos | Code       | Q.ty | Descrizione             | Description               | Description                  | Beschreibung                             |
|-----|------------|------|-------------------------|---------------------------|------------------------------|--|
| 1   | 81001605/0 | 1    | CHASSIS ROSSO           | DECK RED                  | CHÂSSIS ROUGE                | GEHÄUSE ROTES                            |
| -   | 81001607/0 | 1    | CHASSIS VERDE           | DECK GREEN                | CHÂSSIS VERT                 | GEHÄUSE GRÜNES                           |
| -   | 81001606/0 | 1    | CHASSIS GIALLO          | DECK YELLOW               | CHÂSSIS JAUNE                | GEHÄUSE GELBES                           |
| 2   | 12691800/0 | 0/1  | VITE (M8x60)            | SCREW (M8x60)             | VIS (M8x60)                  | SCHRAUBE (M8x60)                         |
| -   | 12793700/0 | 3/2  | VITE (M8x30)            | SCREW (M8x30)             | VIS (M8x30)                  | SCHRAUBE (M8x30)                         |
| 3   | 12792610/0 | 2    | VITE                    | SCREW                     | VIS                          | SCHRAUBE                                 |
| 4   | 22041955/0 | 4    | BUSSOLA                 | BUSH                      | DOUILLE                      | BUCHSE                                   |
| 5   | 12155000/0 | 2    | DADO                    | NUT                       | ECROU                        | MUTTER                                   |
| 6   | 12793700/0 | 2    | VITE (M8x30)            | SCREW (M8x30)             | VIS (M8x30)                  | SCHRAUBE (M8x30)                         |
| 7   | 22399900/0 | 4    | MANOPOLINA              | KNOB                      | POIGNÉE                      | GRIFF                                    |
| 8   | 12293200/0 | 4    | DADO                    | NUT                       | ECROU                        | MUTTER                                   |
| 9   | 81006512/0 | 1    | MANICO, PARTE INFERIORE | HANDLE, LOWER PART        | MANCHERON, PARTIE INFERIEURE | HOLM, UNTERTEIL                          |
| 10  | 12819201/0 | 1    | VITE                    | SCREW                     | VIS                          | SCHRAUBE                                 |
| 10A | 81003801/0 | 1    | MOLLA GUIDA             | SPRING                    | RESSORT                      | FEDER                                    |
| 11  | 22680006/1 | 2    | RONDELLA                | WASHER                    | RONDELLE                     | SCHEIBE                                  |
| 12  | 12155000/0 | 0/1  | DADO                    | NUT                       | ECROU                        | MUTTER                                   |
| -   | 12293201/0 | 3/2  | DADO                    | NUT                       | ECROU                        | MUTTER                                   |
| 14  | 81007160/0 | 1    | CAVO ACCELERATORE       | CABLE, TROTTLE            | CABLE, ACCELERATEUR          | KABEL, BESCHLEUNIGER                     |
| 15  | 81000640/0 | 1    | CAVO FRENO MOTORE       | CABLE, THREAD MOTOR BRAKE | CABLE FREIN MOTEUR           | KABEL, MOTORBREMSE (HONDA GCV 135/ 160)  |
| -   | 81000631/0 | 1    | CAVO FRENO MOTORE       | CABLE, THREAD MOTOR BRAKE | CABLE FREIN MOTEUR           | KABEL, MOTORBREMSE (QUANTUM XM-ES 40)    |
| -   | 81000625/0 | 1    | CAVO FRENO MOTORE       | CABLE, THREAD MOTOR BRAKE | CABLE FREIN MOTEUR           | KABEL, MOTORBREMSE (SPRINT 375/ QUATTRO) |
| -   | 81000629/1 | 1    | CAVO FRENO MOTORE       | CABLE, THREAD MOTOR BRAKE | CABLE FREIN MOTEUR           | KABEL, MOTORBREMSE (TECUMSEH)            |
| 16  | 22450410/1 | 1    | MOLLA DX                | RIGHT SPRING              | RESSORT DROITE               | RECHTE FEDER                             |
| 17  | 22600028/4 | 1    | PARASASSI               | STONE-GUARD               | PAIRE-PIERRES                | PRALLBLECH                               |
| 18  | 22450420/1 | 1    | MOLLA SX                | LEFT SPRING               | RESSORT GAUCHE               | LINKE FEDER                              |

# 1

# 2

# 3

# 4

# 5

# 6

|    |             |   |                             |                           |                              |                             |                   |
|----|-------------|---|-----------------------------|---------------------------|------------------------------|-----------------------------|-------------------|
| 19 | 22517906/ 1 | 1 | PERNO                       | PIN                       | PIVOT                        | BOLZEN                      | H 350             |
| 20 | 12728518/ 0 | 1 | VITE                        | SCREW                     | VIS                          | SCHRAUBE                    | K 350             |
| 21 | 22806612/ 0 | 1 | SUPPORTO                    | SUPPORT                   | SUPPORT                      | HALTER                      | K 390             |
| 22 | 22981467/ 0 | 1 | PIASTRINA                   | PLATE                     | PLAQUETTE                    | PLATTE                      | C 350             |
| 23 | 12735105/ 0 | 2 | VITE                        | SCREW                     | VIS                          | SCHRAUBE                    | C 390             |
| 24 | 12523040/ 0 | 2 | RONDELLA                    | WASHER                    | RONDELLE                     | SCHEIBE                     | NG 410 / 410 S    |
| 25 | 12530060/ 0 | 1 | RONDELLA ELASTICA           | ELASTIC WASHER            | RONDELLE ELASTIQUE           | ELASTISCHE SCHEIBE          | NG 460            |
| 26 | 12791500/ 0 | 1 | VITE                        | SCREW                     | VIS                          | SCHRAUBE                    | NG 414            |
| 27 | 22943006/ 0 | 1 | VITE                        | SCREW                     | VIS                          | SCHRAUBE                    | NG 464            |
| 28 | 81007018/ 1 | 1 | MANICO, PARTE SUPERIORE     | HANDLE, UPPER PART        | MANCHERON, PARTIE SUPERIEURE | HOLM, OBERTEIL              | NG 464 TR         |
| 29 | 22120152/ 0 | 1 | CRUSCOTTO GIALLO            | DASH BOARD YELLOW         | CONSOLE JAUNE                | KONSOLE GELBE               | NG 464 TR-E       |
| -  | 22120154/ 0 | 1 | CRUSCOTTO ROSSO             | DASH BOARD RED            | CONSOLE ROUGE                | KONSOLE RÖTE                | NG 504            |
| -  | 22120158/ 0 | 1 | CRUSCOTTO NERO              | DASH BOARD BLACK          | CONSOLE NOIRE                | KONSOLE SCHWARZE            | NG 504 TR         |
| 30 | 81003291/ 2 | 1 | LEVA FRENO MOTORE           | LEVER, MOTOR BRAKE        | LEVIER FREIN MOTEUR          | HEBEL, MOTORBREMSE          | NG 504 TR-E       |
| 31 | 22291052/ 0 | 1 | IMPUGNATURA MANICO GIALLA   | HANDGRIP YELLOW           | POIGNÉE JAUNE                | HANDGRIFF GELBER            | R 430 / 430 S     |
| -  | 22291051/ 0 | 1 | IMPUGNATURA MANICO ROSSA    | HANDGRIP RED              | POIGNÉE ROUGE                | HANDGRIFF RÖTER             | R 480             |
| -  | 22291050/ 0 | 1 | IMPUGNATURA MANICO NERA     | HANDGRIP BLACK            | POIGNÉE NOIRE                | HANDGRIFF SCHWARZER         | R 430 TR          |
| 32 | 81007280/ 2 | 1 | LEVA, ACCELERATORE          | LEVER, THROTTLE           | LEVIER, ACCELERATEUR         | HEBEL, BESHLEUNIGER         | R 434             |
| 33 | 14356744/ 0 | 1 | ETICHETTA                   | LABEL                     | ETIQUETTE                    | ETIKETTE (B&S)              | R 484             |
| -  | 14356743/ 0 | 1 | ETICHETTA                   | LABEL                     | ETIQUETTE                    | ETIKETTE (TECUMSEH - HONDA) | R 534             |
| 34 | 22041966/ 0 | 1 | BUSSOLA                     | BUSH                      | DOUILLE                      | BUCHSE                      | R 484 TR / TR-E   |
| 35 | 12154510/ 0 | 1 | DADO                        | NUT                       | ECROU                        | MUTTER                      | R 534 TR / TR-E   |
| 36 | 12728460/ 0 | 1 | VITE                        | SCREW                     | VIS                          | SCHRAUBE                    | RL 430 / 430 S    |
| 37 | 12000930/ 0 | 1 | ANELLO ELASTICO             | SNAP RING                 | ANNEAU RESSORT               | SPRENGRING                  | RL 480            |
| -  | 81008609/ 0 | 1 | DOTAZIONE VITERIA CRUSCOTTO | OUTFIT, DASH-BOARD SCREWS | DOTATION VISSERIE CONSOLLE   | SATZ, KONSOLE SCHRAUBEN     | RL 430 TR         |
| -  | 81008614/ 1 | 1 | DOTAZIONE VITERIA           | OUTFIT, SCREWS            | DOTATION VISSERIE            | SATZ, SCHRAUBEN             | RL 434            |
|    |             |   |                             |                           |                              |                             | RL 484            |
|    |             |   |                             |                           |                              |                             | RL 534            |
|    |             |   |                             |                           |                              |                             | RL 484 TR         |
|    |             |   |                             |                           |                              |                             | RL 484 TR-E       |
|    |             |   |                             |                           |                              |                             | RL 534 TR         |
|    |             |   |                             |                           |                              |                             | RL 534 TR-E       |
|    |             |   |                             |                           |                              |                             | TD 430 / 430 S    |
|    |             |   |                             |                           |                              |                             | TD 480            |
|    |             |   |                             |                           |                              |                             | TD 430 TR         |
|    |             |   |                             |                           |                              |                             | TD 434            |
|    |             |   |                             |                           |                              |                             | TD 484            |
|    |             |   |                             |                           |                              |                             | TD 534            |
|    |             |   |                             |                           |                              |                             | TD 484 TR         |
|    |             |   |                             |                           |                              |                             | TD 484 TR-E       |
|    |             |   |                             |                           |                              |                             | TD 534 TR         |
|    |             |   |                             |                           |                              |                             | TD 534 TR-E       |
|    |             |   |                             |                           |                              |                             | TDL 430 / 430 S   |
|    |             |   |                             |                           |                              |                             | TDL 480           |
|    |             |   |                             |                           |                              |                             | TDL 430 TR        |
|    |             |   |                             |                           |                              |                             | TDL 434           |
|    |             |   |                             |                           |                              |                             | TDL 484           |
|    |             |   |                             |                           |                              |                             | TDL 534           |
|    |             |   |                             |                           |                              |                             | TDL 484 TR        |
|    |             |   |                             |                           |                              |                             | TDL 484 TR-E      |
|    |             |   |                             |                           |                              |                             | TDL 534 TR        |
|    |             |   |                             |                           |                              |                             | TDL 534 TR-E      |
|    |             |   |                             |                           |                              |                             | CA 430            |
|    |             |   |                             |                           |                              |                             | CA 480            |
|    |             |   |                             |                           |                              |                             | CA 434            |
|    |             |   |                             |                           |                              |                             | CA 484            |
|    |             |   |                             |                           |                              |                             | CA 534            |
|    |             |   |                             |                           |                              |                             | CA 430 TR         |
|    |             |   |                             |                           |                              |                             | CA 434 TR         |
|    |             |   |                             |                           |                              |                             | CA 484 TR / TR-E  |
|    |             |   |                             |                           |                              |                             | CA 534 TR / TR-E  |
|    |             |   |                             |                           |                              |                             | CAL 430           |
|    |             |   |                             |                           |                              |                             | CAL 480           |
|    |             |   |                             |                           |                              |                             | CAL 434           |
|    |             |   |                             |                           |                              |                             | CAL 484           |
|    |             |   |                             |                           |                              |                             | CAL 534           |
|    |             |   |                             |                           |                              |                             | CAL 430 TR        |
|    |             |   |                             |                           |                              |                             | CAL 434 TR        |
|    |             |   |                             |                           |                              |                             | CAL 484 TR / TR-E |
|    |             |   |                             |                           |                              |                             | CAL 534 TR / TR-E |
|    |             |   |                             |                           |                              |                             | T 430 / 430 S     |
|    |             |   |                             |                           |                              |                             | T 480             |
|    |             |   |                             |                           |                              |                             | T 434             |
|    |             |   |                             |                           |                              |                             | T 484             |
|    |             |   |                             |                           |                              |                             | T 484 TR          |
|    |             |   |                             |                           |                              |                             | T 484 TR-E        |
|    |             |   |                             |                           |                              |                             | PAN 504           |
|    |             |   |                             |                           |                              |                             | PAN 504 TR        |
|    |             |   |                             |                           |                              |                             | PAN 504 TR-E      |
|    |             |   |                             |                           |                              |                             | PAN 504 TR-E 3S   |
|    |             |   |                             |                           |                              |                             | PAN 504 TR 3S     |
|    |             |   |                             |                           |                              |                             | NP 534            |
|    |             |   |                             |                           |                              |                             | NP 534 TR         |
|    |             |   |                             |                           |                              |                             | NP 534 TR-E       |
|    |             |   |                             |                           |                              |                             | NP 534 TR 3S      |
|    |             |   |                             |                           |                              |                             | NP 534 TR-E 3S    |
|    |             |   |                             |                           |                              |                             | S 474 L           |

1

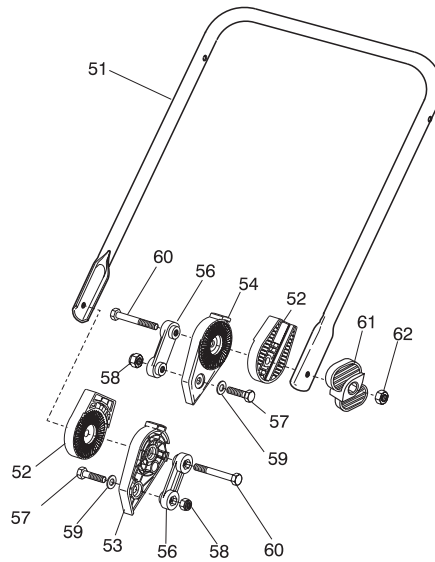
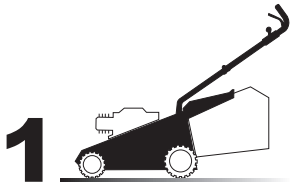
2

3

4

5

6



VARIANTE REGOLAZIONE MANICO - HANDLE ADJUSTMENT VARIANT - VARIANTE REGLAGE POIGNEE - GRIFFENSTEELVARIANTE

| Pos | Code        | Q.ty | Descrizione             | Description             | Description                  | Beschreibung          |
|-----|-------------|------|-------------------------|-------------------------|------------------------------|-----------------------|
| 51  | 81006510/ 0 | 1    | MANICO, PARTE INFERIORE | HANDLE, LOWER PART      | MANCHERON, PARTIE INFERIEURE | HOLM, UNTERTEIL       |
| 52  | 22785081/ 0 | 2    | SUPPORTO ESTERNO        | SUPPORT, EXTERNAL       | SUPPORT EXTERNE              | HALTER, AUßERE        |
| 53  | 22785082/ 0 | 1    | SUPPORTO INTERNO DX     | SUPPORT, RIGHT INTERNAL | SUPPORT INTERNE DROIT        | HALTER, INNERE RECHTS |
| 54  | 22785083/ 1 | 1    | SUPPORTO INTERNO SX     | SUPPORT, LEFT INTERNAL  | SUPPORT INTERNE GAUCHE       | HALTER, INNERE LINKS  |
| 56  | 22551575/ 0 | 2    | PIASTRINA INTERNA       | PLATE, INSIDE           | PLAQUETTE INTERNE            | PLATTE, INNERE        |
| 57  | 12793701/ 0 | 2    | VITE                    | SCREW                   | VIS                          | SCHRAUBE              |
| 58  | 12155000/ 0 | 2    | DADO                    | NUT                     | ECROU                        | MUTTER                |
| 59  | 12521350/ 0 | 2    | RONDELLA                | WASHER                  | RONDELLE                     | SCHEIBE               |
| 60  | 12691810/ 0 | 2    | VITE                    | SCREW                   | VIS                          | SCHRAUBE              |
| 61  | 22399803/ 0 | 2    | MANOPOLINA              | KNOB                    | POIGNÉE                      | GRIFF                 |
| 62  | 12293202/ 0 | 2    | DADO                    | NUT                     | ECROU                        | MUTTER                |
| -   | 81008623/ 0 | 1    | DOTAZIONE VITERIA       | OUTFIT, SCREWS          | DOTATION VISSERIE            | SATZ, SCHRAUBEN       |

- H 350
- K 350
- K 390
- C 350
- C 390
- NG 410 / 410 S
- NG 460
- NG 414
- NG 464
- NG 464 TR
- NG 464 TR-E
- NG 504
- NG 504 TR
- NG 504 TR-E
- R 430 / 430 S
- R 480
- R 430 TR
- R 434
- R 484
- R 534
- R 484 TR / TR-E
- R 534 TR / TR-E
- RL 430 / 430 S
- RL 480
- RL 430 TR
- RL 434
- RL 484
- RL 534
- RL 484 TR
- RL 484 TR-E
- RL 534 TR
- RL 534 TR-E
- TD 430 / 430 S
- TD 480
- TD 430 TR
- TD 434
- TD 484
- TD 534
- TD 484 TR
- TD 484 TR-E
- TD 534 TR
- TD 534 TR-E
- TDL 430 / 430 S
- TDL 480
- TDL 430 TR
- TDL 434
- TDL 484
- TDL 534
- TDL 484 TR
- TDL 484 TR-E
- TDL 534 TR
- TDL 534 TR-E
- CA 430
- CA 480
- CA 434
- CA 484
- CA 534
- CA 430 TR
- CA 434 TR
- CA 484 TR / TR-E
- CA 534 TR / TR-E
- CAL 430
- CAL 480
- CAL 434
- CAL 484
- CAL 534
- CAL 430 TR
- CAL 434 TR
- CAL 484 TR / TR-E
- CAL 534 TR / TR-E
- T 430 / 430 S
- T 480
- T 434
- T 484
- T 484 TR
- T 484 TR-E
- PAN 504
- PAN 504 TR
- PAN 504 TR-E
- PAN 504 TR-E 3S
- PAN 504 TR 3S
- NP 534
- NP 534 TR
- NP 534 TR-E
- NP 534 TR 3S
- NP 534 TR-E 3S
- S 474 L

01D.004

01T.004

1

2

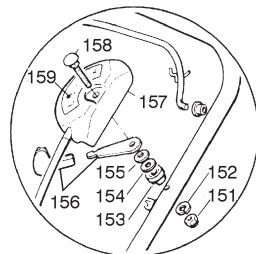
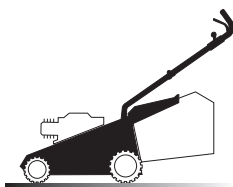
3

4

5

6

1



01D.005

01T.005

VARIANTE ACCELERATORE - THROTTLE VARIANTS - VARIANTES COMMANDE D'ACCELERATION - ÄNDERUNGEN AUF GASHEBEL

| Pos | Code       | Q.ty | Descrizione        | Description     | Description          | Beshreibung               |
|-----|------------|------|--------------------|-----------------|----------------------|---------------------------|
| 151 | 12291000/0 | 1    | DADO               | NUT             | ECROU                | MUTTER                    |
| 152 | 12581500/0 | 1    | GROWER             | GROWER          | GROWER               | FEDERRING                 |
| 153 | 22171005/0 | 1    | DISTANZIALE        | SPACER          | ENTRETOISE           | DISTANZRING               |
| 154 | 12521360/0 | 1    | RONDELLA           | WASHER          | RONDELLE             | SCHEIBE                   |
| 155 | 12508100/0 | 1    | RONDELLA ELASTICA  | SPRING WASHER   | RONDELLE ELASTIQUE   | ELASTISCHE SCHEIBE        |
| 156 | 81007279/1 | 1    | LEVA, ACCELERATORE | LEVER, THROTTLE | LEVIER, ACCELERATEUR | HEBEL, BESHLEUNIGER       |
| 157 | 81007080/0 | 1    | CAVO ACCELERATORE  | CABLE, TROTTLE  | CABLE, ACCELERATEUR  | KABELE, BESHLEUNIGER      |
| 158 | 12815000/0 | 1    | VITE               | SCREW           | VIS                  | SCHRAUBE                  |
| 159 | 14356703/0 | 1    | ETICHETTA          | LABEL           | ETIQUETTE            | ETIKETTE (B&S)            |
| -   | 14356702/0 | 1    | ETICHETTA          | LABEL           | ETIQUETTE            | ETIKETTE (TECUMSEH-HONDA) |

- H 350
- K 350
- K 390
- C 350
- C 390
- NG 410 / 410 S
- NG 460
- NG 414
- NG 464
- NG 464 TR
- NG 464 TR-E
- NG 504
- NG 504 TR
- NG 504 TR-E
- R 430 / 430 S
- R 480
- R 430 TR
- R 434
- R 484
- R 534
- R 484 TR / TR-E
- R 534 TR / TR-E
- RL 430 / 430 S
- RL 480
- RL 430 TR
- RL 434
- RL 484
- RL 534
- RL 484 TR
- RL 484 TR-E
- RL 534 TR
- RL 534 TR-E
- TD 430 / 430 S
- TD 480
- TD 430 TR
- TD 434
- TD 484
- TD 534
- TD 484 TR
- TD 484 TR-E
- TD 534 TR
- TD 534 TR-E
- TDL 430 / 430 S
- TDL 480
- TDL 430 TR
- TDL 434
- TDL 484
- TDL 534
- TDL 484 TR
- TDL 484 TR-E
- TDL 534 TR
- TDL 534 TR-E
- CA 430
- CA 480
- CA 434
- CA 484
- CA 534
- CA 430 TR
- CA 434 TR
- CA 484 TR / TR-E
- CA 534 TR / TR-E
- CAL 430
- CAL 480
- CAL 434
- CAL 484
- CAL 534
- CAL 430 TR
- CAL 434 TR
- CAL 484 TR / TR-E
- CAL 534 TR / TR-E
- T 430 / 430 S
- T 480
- T 434
- T 484
- T 484 TR
- T 484 TR-E
- PAN 504
- PAN 504 TR
- PAN 504 TR-E
- PAN 504 TR-E 3S
- PAN 504 TR 3S
- NP 534
- NP 534 TR
- NP 534 TR-E
- NP 534 TR 3S
- NP 534 TR-E 3S
- S 474 L

1

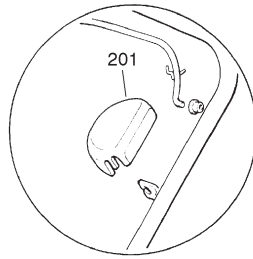
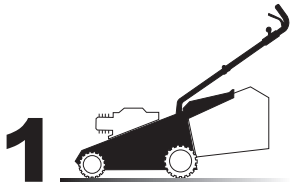
2

3

4

5

6



01D.006

01T.006

VARIANTE REGIME FISSO - FIXED SPEED VARIANTS - VARIANTES POUR MODÈLE À REGIME FIXE - ÄNDERUNGEN FÜR MODELLE MIT FIXIERTER DREHZAHL

| Pos | Code        | Q.ty | Descrizione | Description | Description | Beschreibung |
|-----|-------------|------|-------------|-------------|-------------|--------------|
| 201 | 22601000/ 0 | -    | PROTEZIONE  | PROTECTION  | PROTECTION  | SCHUTZ       |

- H 350
- K 350
- K 390
- C 350
- C 390
- NG 410 / 410 S
- NG 460
- NG 414
- NG 464
- NG 464 TR
- NG 464 TR-E
- NG 504
- NG 504 TR
- NG 504 TR-E
- R 430 / 430 S
- R 480
- R 430 TR
- R 434
- R 484
- R 534
- R 484 TR / TR-E
- R 534 TR / TR-E
- RL 430 / 430 S
- RL 480
- RL 430 TR
- RL 434
- RL 484
- RL 534
- RL 484 TR
- RL 484 TR-E
- RL 534 TR
- RL 534 TR-E
- TD 430 / 430 S
- TD 480
- TD 430 TR
- TD 434
- TD 484
- TD 534
- TD 484 TR
- TD 484 TR-E
- TD 534 TR
- TD 534 TR-E
- TDL 430 / 430 S
- TDL 480
- TDL 430 TR
- TDL 434
- TDL 484
- TDL 534
- TDL 484 TR
- TDL 484 TR-E
- TDL 534 TR
- TDL 534 TR-E
- CA 430
- CA 480
- CA 434
- CA 484
- CA 534
- CA 430 TR
- CA 434 TR
- CA 484 TR / TR-E
- CA 534 TR / TR-E
- CAL 430
- CAL 480
- CAL 434
- CAL 484
- CAL 534
- CAL 430 TR
- CAL 434 TR
- CAL 484 TR / TR-E
- CAL 534 TR / TR-E
- T 430 / 430 S
- T 480
- T 434
- T 484
- T 484 TR
- T 484 TR-E
- PAN 504
- PAN 504 TR
- PAN 504 TR-E
- PAN 504 TR-E 3S
- PAN 504 TR 3S
- NP 534
- NP 534 TR
- NP 534 TR-E
- NP 534 TR 3S
- NP 534 TR-E 3S
- S 474 L

1

2

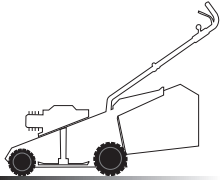
3

4

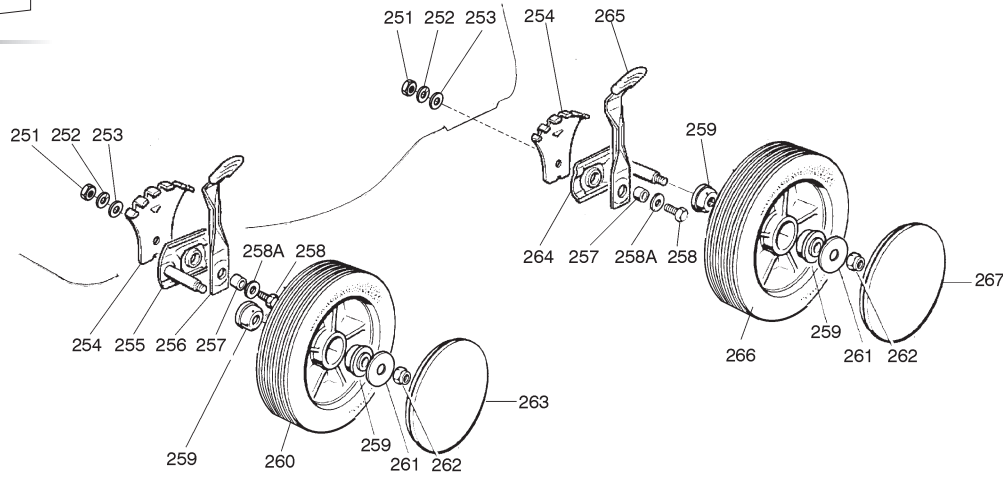
5

6

## 2



02D.004



02I.004

| Pos  | Code        | Q.ty | Descrizione                 | Description               | Description             | Beshreibung             |
|------|-------------|------|-----------------------------|---------------------------|-------------------------|-------------------------|
| 251  | 12293200/ 0 | 4    | DADO                        | NUT                       | ECROU                   | MUTTER                  |
| 252  | 12583500/ 0 | 4    | GROWER                      | GROWER                    | GROWER                  | FEDERRING               |
| 253  | 12523070/ 0 | 4    | RONDELLA                    | WASHER                    | RONDELLE                | SCHEIBE                 |
| 254  | 22735547/ 0 | 4    | SETTORE REGOLAZIONE ALTEZZA | SECTOR, HEIGHT ADJUSTMENT | SECTEUR REGLAGE HAUTEUR | SEKTOR, HÖHEVERSTELLUNG |
| 255  | 81005082/ 0 | 2    | SUPPORTO RUOTA              | SUPPORT, WHEEL            | SUPPORT ROUE            | HALTER, RAD             |
| 256  | 81003285/ 1 | 2    | LEVA REGOLAZIONE ALTEZZA    | LEVER, HEIGHT ADJUSTMENT  | LEVIER, REGLAGE HAUTEUR | HEBEL, HÖHEVERSTELLUNG  |
| 257  | 22171001/ 0 | 4    | DISTANZIALE                 | SPACER                    | ENTRETOISE              | DISTANZRING             |
| 258  | 12793701/ 0 | 4    | VITE                        | SCREW                     | VIS                     | SCHRAUBE                |
| 258A | 12521350/ 0 | 4    | RONDELLA                    | WASHER                    | RONDELLE                | SCHEIBE                 |
| 259  | 22034508/ 0 | 8    | BUSSOLA                     | BUSH                      | DOUILLE                 | BUCHSE                  |
| 260  | 81007326/ 0 | 2    | RUOTA Ø 170                 | WHEEL Ø 170               | ROUE Ø 170              | RAD Ø 170               |
| 261  | 12523060/ 0 | 4    | RONDELLA                    | WASHER                    | RONDELLE                | SCHEIBE                 |
| 262  | 12155000/ 0 | 4    | DADO                        | NUT                       | ECROU                   | MUTTER                  |
| 263  | 22110262/ 0 | 4    | COPRIMOZZO BIANCO           | HUB CAP WHITE             | COUVRE-MOYEU BLANC      | RADKAPPE WEIßE          |
| -    | 22110263/ 0 | 4    | COPRIMOZZO GIALLO           | HUB CAP YELLOW            | COUVRE-MOYEU JAUNE      | RADKAPPE GELBE          |
| -    | 22110264/ 0 | 4    | COPRIMOZZO ROSSO            | HUB CAP RED               | COUVRE-MOYEU ROUGE      | RADKAPPE ROTE           |
| 264  | 81005084/ 0 | 2    | SUPPORTO RUOTA              | SUPPORT, WHEEL            | SUPPORT ROUE            | HALTER, RAD             |
| 265  | 81003286/ 0 | 2    | LEVA REGOLAZIONE ALTEZZA    | LEVER, HEIGHT ADJUSTMENT  | LEVIER, REGLAGE HAUTEUR | HEBEL, HÖHEVERSTELLUNG  |
| 266  | 81007328/ 0 | 2    | RUOTA Ø 210                 | WHEEL Ø 210               | ROUE Ø 210              | RAD Ø 210               |
| 267  | 22110265/ 0 | 4    | COPRIMOZZO BIANCO           | HUB CAP WHITE             | COUVRE-MOYEU BLANC      | RADKAPPE WEIßE          |
| -    | 22110266/ 0 | 4    | COPRIMOZZO GIALLO           | HUB CAP YELLOW            | COUVRE-MOYEU JAUNE      | RADKAPPE GELBE          |
| -    | 22110267/ 0 | 4    | COPRIMOZZO ROSSO            | HUB CAP RED               | COUVRE-MOYEU ROUGE      | RADKAPPE ROTE           |

- H 350
- K 350
- K 390
- C 350
- C 390
- NG 410 / 410 S
- NG 460
- NG 414
- NG 464
- NG 464 TR
- NG 464 TR-E
- NG 504
- NG 504 TR
- NG 504 TR-E
- R 430 / 430 S
- R 480
- R 430 TR
- R 434
- R 484
- R 534
- R 484 TR / TR-E
- R 534 TR / TR-E
- RL 430 / 430 S
- RL 480
- RL 430 TR
- RL 434
- RL 484
- RL 534
- RL 484 TR
- RL 484 TR-E
- RL 534 TR
- RL 534 TR-E
- TD 430 / 430 S
- TD 480
- TD 430 TR
- TD 434
- TD 484
- TD 534
- TD 484 TR
- TD 484 TR-E
- TD 534 TR
- TD 534 TR-E
- TDL 430 / 430 S
- TDL 480
- TDL 430 TR
- TDL 434
- TDL 484
- TDL 534
- TDL 484 TR
- TDL 484 TR-E
- TDL 534 TR
- TDL 534 TR-E
- CA 430
- CA 480
- CA 434
- CA 484
- CA 534
- CA 430 TR
- CA 434 TR
- CA 484 TR / TR-E
- CA 534 TR / TR-E
- CAL 430
- CAL 480
- CAL 434
- CAL 484
- CAL 534
- CAL 430 TR
- CAL 434 TR
- CAL 484 TR / TR-E
- CAL 534 TR / TR-E
- T 430 / 430 S
- T 480
- T 434
- T 484
- T 484 TR
- T 484 TR-E
- PAN 504
- PAN 504 TR
- PAN 504 TR-E
- PAN 504 TR-E 3S
- PAN 504 TR 3S
- NP 534
- NP 534 TR
- NP 534 TR-E
- NP 534 TR 3S
- NP 534 TR-E 3S
- S 474 L

1

2

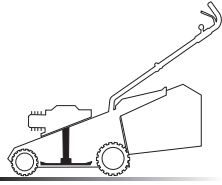
3

4

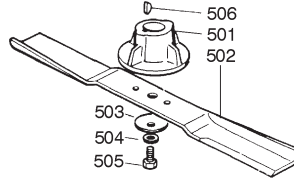
5

6

# 5



05D.002



05T.004

| Pos | Code        | Q.ty | Descrizione       | Description    | Description        | Beshreibung        |       |
|-----|-------------|------|-------------------|----------------|--------------------|--------------------|-------|
| 501 | 22463012/ 1 | 1    | MOZZO             | HUB            | MOYEU              | HALTER             |       |
| 502 | 81004395/ 1 | 1    | COLTELLO ALETTATO | BLADE WINGED   | LAME AILETTÉE      | MESSER FLÜGEL      | 48 cm |
| 502 | 81004366/ 1 | 1    | COLTELLO STANDARD | BLADE STANDARD | LAME STANDARD      | MESSER STANDARD    | 48 cm |
| 503 | 22160400/ 0 | 1    | DISCO ELASTICO    | ELASTIC WASHER | RONDELLE ELASTIQUE | ELASTISCHE SCHEIBE |       |
| 504 | 12523080/ 0 | 1    | RONDELLA          | WASHER         | RONDELLE           | SCHEIBE            |       |
| 505 | 12735698/ 0 | 1    | VITE              | SCREW          | VIS                | SCHRAUBE           |       |
| 506 | 12139100/ 0 | 1    | LINGUETTA         | FEATHER        | CLAVETTE           | KEIL               |       |

- H 350
- K 350
- K 390
- C 350
- C 390
- NG 410 / 410 S
- NG 460
- NG 414
- NG 464
- NG 464 TR
- NG 464 TR-E
- NG 504**
- NG 504 TR
- NG 504 TR-E
- R 430 / 430 S
- R 480
- R 430 TR
- R 434
- R 484
- R 534
- R 484 TR / TR-E
- R 534 TR / TR-E
- RL 430 / 430 S
- RL 480
- RL 430 TR
- RL 434
- RL 484
- RL 534
- RL 484 TR
- RL 484 TR-E
- RL 534 TR
- RL 534 TR-E
- TD 430 / 430 S
- TD 480
- TD 430 TR
- TD 434
- TD 484
- TD 534
- TD 484 TR
- TD 484 TR-E
- TD 534 TR
- TD 534 TR-E
- TDL 430 / 430 S
- TDL 480
- TDL 430 TR**
- TDL 434
- TDL 484
- TDL 534
- TDL 484 TR
- TDL 484 TR-E
- TDL 534 TR
- TDL 534 TR-E
- CA 430
- CA 480
- CA 434
- CA 484
- CA 534
- CA 430 TR
- CA 434 TR
- CA 484 TR / TR-E
- CA 534 TR / TR-E
- CAL 430
- CAL 480
- CAL 434
- CAL 484
- CAL 534
- CAL 430 TR
- CAL 434 TR
- CAL 484 TR / TR-E
- CAL 534 TR / TR-E
- T 430 / 430 S
- T 480
- T 434
- T 484
- T 484 TR
- T 484 TR-E
- PAN 504
- PAN 504 TR
- PAN 504 TR-E
- PAN 504 TR-E 3S
- PAN 504 TR 3S
- NP 534
- NP 534 TR
- NP 534 TR-E
- NP 534 TR 3S
- NP 534 TR-E 3S
- S 474 L

1

2

3

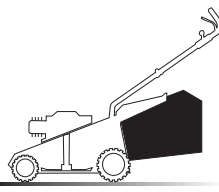
4

5

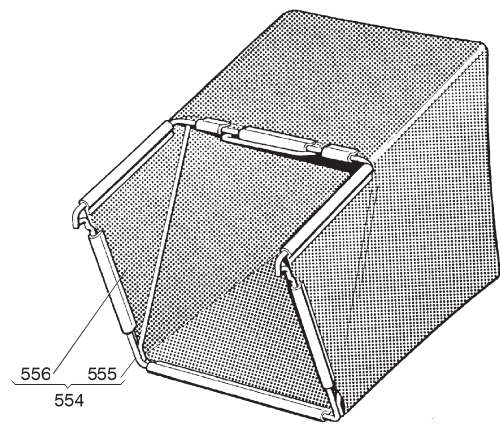
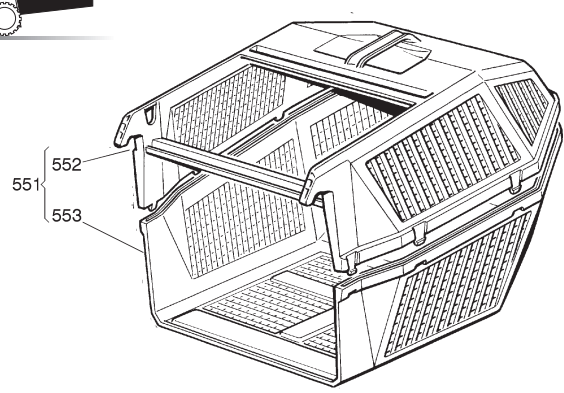
6



# 6



06D.001



06T.001

| Pos | Code       | Q.ty | Descrizione             | Description                    | Description            | Beschreibung    |
|-----|------------|------|-------------------------|--------------------------------|------------------------|-----------------|
| 551 | 98005000/1 | 1    | SACCO, COMPLETO         | GRASSCATCHER, COMPLETI         | SAC, COMPLETE          | SACK, KOMPLETTE |
| 552 | 22486076/0 | 1    | SACCO, PARTE SUPERIORE  | GRASS-BOX, UPPER PART          | SAC, PARTIE SUPERIEURE | KORB, OBERTEIL  |
| 553 | 22486077/0 | 1    | SACCO, PARTE INFERIORE  | GRASS-BOX, LOWER PART          | SAC, PARTIE INFERIEURE | KORB, UNTERTEIL |
| 554 | 98004000/0 | 1    | SACCO IN TELA, COMPLETO | GRASSCATCHER, CANVASS COMPLETE | SAC EN TOILE, COMPLETE | SACK, KOMPLETTE |
| 555 | 81006408/0 | 1    | TELAIO SACCO            | CHASSIS BOX                    | CHÄSSIS BAC            | RAHMEN SACK     |
| 556 | 81002105/2 | 1    | SACCO, TELA             | BOX, FABRIC                    | SAC, TOILE             | SACK, TUCK      |

- H 350
- K 350
- K 390
- C 350
- C 390
- NG 410 / 410 S
- NG 460
- NG 414
- NG 464
- NG 464 TR
- NG 464 TR-E
- NG 504
- NG 504 TR
- NG 504 TR-E
- R 430 / 430 S
- R 480
- R 430 TR
- R 434
- R 484
- R 534
- R 484 TR / TR-E
- R 534 TR / TR-E
- RL 430 / 430 S
- RL 480
- RL 430 TR
- RL 434
- RL 484
- RL 534
- RL 484 TR
- RL 484 TR-E
- RL 534 TR
- RL 534 TR-E
- TD 430 / 430 S
- TD 480
- TD 430 TR
- TD 434
- TD 484
- TD 534
- TD 484 TR
- TD 484 TR-E
- TD 534 TR
- TD 534 TR-E
- TDL 430 / 430 S
- TDL 480
- TDL 430 TR
- TDL 434
- TDL 484
- TDL 534
- TDL 484 TR
- TDL 484 TR-E
- TDL 534 TR
- TDL 534 TR-E
- CA 430
- CA 480
- CA 434
- CA 484
- CA 534
- CA 430 TR
- CA 434 TR
- CA 484 TR / TR-E
- CA 534 TR / TR-E
- CAL 430
- CAL 480
- CAL 434
- CAL 484
- CAL 534
- CAL 430 TR
- CAL 434 TR
- CAL 484 TR / TR-E
- CAL 534 TR / TR-E
- T 430 / 430 S
- T 480
- T 434
- T 484
- T 484 TR
- T 484 TR-E
- PAN 504
- PAN 504 TR
- PAN 504 TR-E
- PAN 504 TR-E 3S
- PAN 504 TR 3S
- NP 534
- NP 534 TR
- NP 534 TR-E
- NP 534 TR 3S
- NP 534 TR-E 3S
- S 474 L



1

2

3

4

5

6