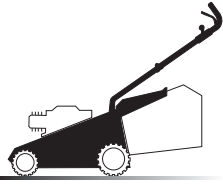
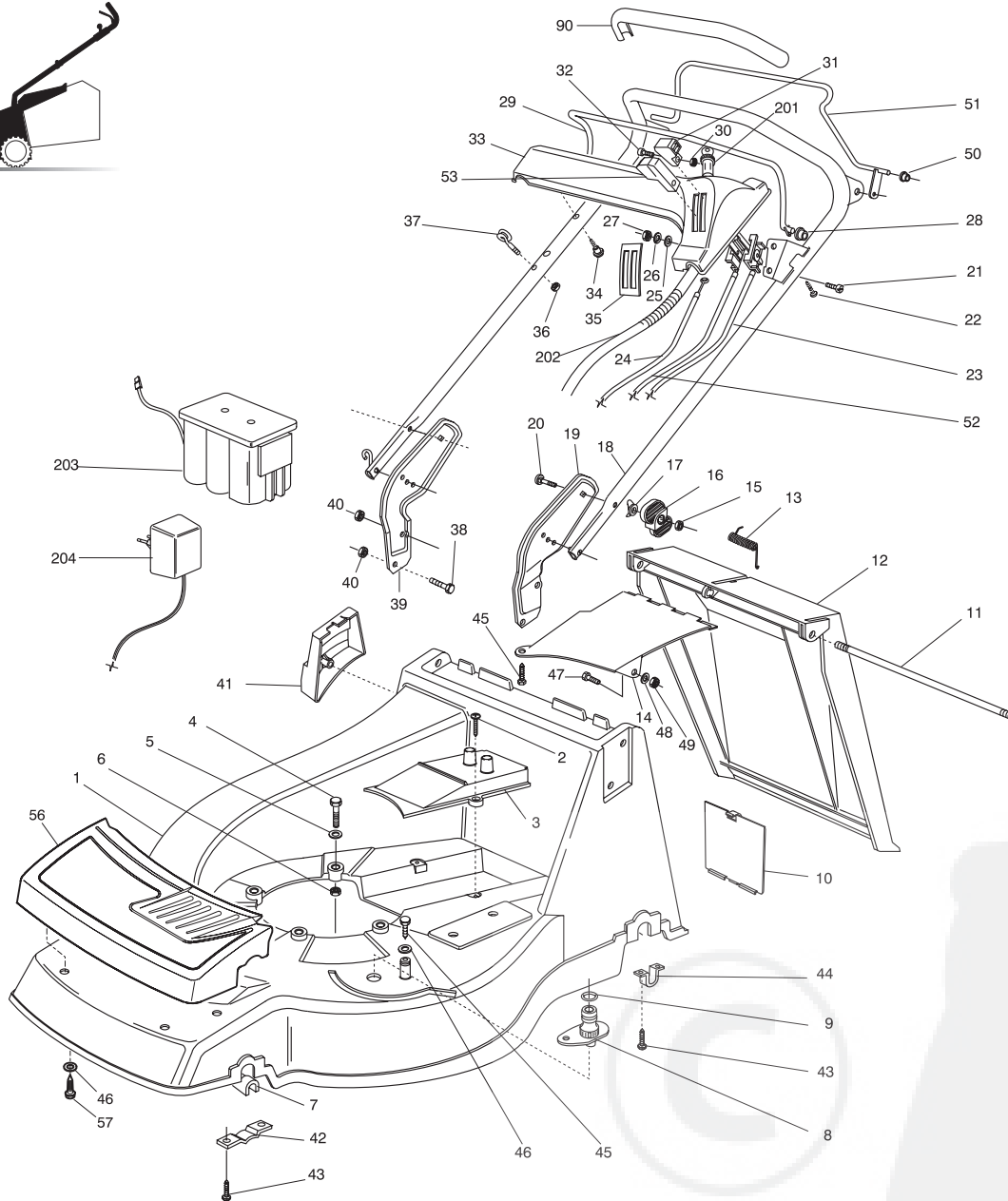


1



01D.050



- H 350
- K 350
- K 390
- C 350
- C 390
- NG 410 / 410 S
- NG 460
- NG 414
- NG 464
- NG 464 TR
- NG 464 TR-E
- NG 504
- NG 504 TR
- NG 504 TR-E
- R 430 / 430 S
- R 480
- R 430 TR
- R 434
- R 484
- R 534
- R 484 TR / TR-E
- R 534 TR / TR-E
- RL 430 / 430 S
- RL 480
- RL 430 TR
- RL 434
- RL 484
- RL 534
- RL 484 TR
- RL 484 TR-E
- RL 534 TR
- RL 534 TR-E
- TD 430 / 430 S
- TD 480
- TD 430 TR
- TD 434
- TD 484
- TD 534
- TD 484 TR
- TD 484 TR-E
- TD 534 TR
- TD 534 TR-E
- TDL 430 / 430 S
- TDL 480
- TDL 430 TR
- TDL 434
- TDL 484
- TDL 534
- TDL 484 TR
- TDL 484 TR-E
- TDL 534 TR
- TDL 534 TR-E
- CA 430
- CA 480
- CA 434
- CA 484
- CA 534
- CA 430 TR
- CA 434 TR
- CA 484 TR / TR-E
- CA 534 TR / TR-E
- CAL 430
- CAL 480
- CAL 434
- CAL 484
- CAL 534
- CAL 430 TR
- CAL 434 TR
- CAL 484 TR / TR-E
- CAL 534 TR / TR-E
- T 430 / 430 S
- T 480
- T 434
- T 484
- T 484 TR
- T 484 TR-E
- PAN 504
- PAN 504 TR
- PAN 504 TR-E
- PAN 504 TR-E 3S
- PAN 504 TR 3S
- NP 534
- NP 534 TR
- NP 534 TR-E
- NP 534 TR 3S
- NP 534 TR-E 3S
- S 474 L

01T.050

Pos	Code	Q.ty	Descrizione	Description	Description	Beschreibung
1	81001652/ 0	1	CHASSIS ROSSO	DECK RED	CHÂSSIS ROUGE	GEHÄUSE ROTES
-	81001654/ 0	1	CHASSIS GIALLO	DECK YELLOW	CHÂSSIS JAUNE	GEHÄUSE GELBES
-	81001656/ 0	1	CHASSIS VERDE	DECK GREEN	CHÂSSIS VERT	GEHÄUSE GRÜNES
-	81001843/ 0	1	CHASSIS ROSSO CON FORI PER MASCHERINA	DECK RED WITH HOLES FOR HALF-MASK	CHÂSSIS ROUGE AVEC TROUS POUR LOUP	GEHÄUSE ROT MIT LOCHEN FÜR KLEINE MASKE
-	81001844/ 0	1	CHASSIS GIALLO CON FORI PER MASCHERINA	DECK YELLOW WITH HOLES FOR HALF-MASK	CHÂSSIS JAUNE AVEC TROUS POUR LOUP	GEHÄUSE GELB MIT LOCHEN FÜR KLEINE MASKE
-	81001845/ 0	1	CHASSIS VERDE CON FORI PER MASCHERINA	DECK GREEN WITH HOLES FOR HALF-MASK	CHÂSSIS VERT AVEC TROUS POUR LOUP	GEHÄUSE GRÜN MIT LOCHEN FÜR KLEINE MASKE
2	12728522/ 0	2	VITE	SCREW	VIS	SCHRAUBE
3	22060181/ 1	1	CARTER CINGHIA	PROTECTION, BELT	PROTECTION COURROIRE	SCHUTZ, RIEMEN
4	12692080/ 0	0/ 1	VITE	SCREW	VIS	SCHRAUBE
4	12691800/ 0	3/ 2	VITE (M8x60)	SCREW (M8x60)	VIS (M8x60)	SCHRAUBE (M8x60)
5	12521350/ 0	3	RONDELLA	WASHER	RONDELLE	SCHEIBE
6	12155000/ 0	3	DADO	NUT	ECROU	MUTTER
7	22038400/ 1	2	BRONZINA	BRASS	DOUILLE	BUCHSE
8	22034000/ 0	1	ATTACCO ACQUA LAVAGGIO	WASHING CONNECTION	ATTACHE LAVAGE	WASCHENVERBINDUNG
9	19035000/ 0	1	ANELLO OR	OR RING	BAGUE OR	RING OR
10	22595352/ 0	1	PORTINA CHIUSURA	INSPECTION DOOR	VOYANT DE VISITE	ABDECKPLATTE
11	22517856/ 0	1	PERNO	PIN	PIVOT	BOLZEN
12	22600023/ 2	1	PARASASSI	STONE-GUARD	PARE-PIERRES	PRALLBLECH
13	22450270/ 0	1	MOLLA	SPRING	RESSORT	FEDER
14	22108205/ 0	1	CONVOGIATORE	CONVEYOR	CONVOYEUR	KONVOYOR
15	12293200/ 0	2	DADO	NUT	ECROU	MUTTER
16	22399803/ 0	2	MANOPOLINA	KNOB	POIGNÉE	GRIFF
17	22680006/ 1	2	RONDELLA	WASHER	RONDELLE	SCHEIBE

1

2

3

4

5

6

18	81007028/ 1	1	MANICO, PARTE INFERIORE	HANDLE, LOWER PART	MANCHERON, PARTIE INFERIEURE	HOLM, UNTERTEIL	H 350
19	22778397/ 0	1	STAFFA SX	BRACKET, LEFT	BRIDE GAUCHE	PRATZE, LINKE	K 350
20	12819120/ 0	1	VITE	SCREW	VIS	SCHRAUBE	K 390
21	12788910/ 0	2	VITE	SCREW	VIS	SCHRAUBE	C 350
22	12728460/ 0	2	VITE	SCREW	VIS	SCHRAUBE	C 390
23	81007091/ 0	1	CAVO ACCELERATORE	CABLE, TROTTLER	CABLE, ACCELERATEUR	KABELE, BESCHLEUNIGER (B&S)	NG 410 / 410 S
-	81007092/ 0	1	CAVO ACCELERATORE	CABLE, TROTTLER	CABLE, ACCELERATEUR	KABELE, BESCHLEUNIGER (TECUMSEH/HONDA)	NG 460
24	81000634/ 0	1	CAVO FRENO MOTORE	CABLE, THREAD MOTOR BRAKE	CABLE FREIN MOTEUR	KABEL, MOTORBREMSE (B&S)	NG 414
-	81000628/ 0	1	CAVO FRENO MOTORE	CABLE, THREAD MOTOR BRAKE	CABLE FREIN MOTEUR	KABEL, MOTORBREMSE (HONDA)	NG 464
-	81000629/ 1	1	CAVO FRENO MOTORE	CABLE, THREAD MOTOR BRAKE	CABLE FREIN MOTEUR	KABEL, MOTORBREMSE (TECUMSEH)	NG 464 TR
25	12523020/ 0	2	RONDELLA	WASHER	RONDELLE	SCHEIBE	NG 464 TR-E
26	12581500/ 0	2	GROWER	GROWER	GROWER	FEDERRING	NG 504
27	12291000/ 0	2	DADO	NUT	ECROU	MUTTER	NG 504 TR
28	22041966/ 0	2	BUSSOLA	BUSH	DOUILLE	BUCHSE	NG 504 TR-E
29	81003291/ 2	1	LEVA FRENO MOTORE	LEVER, MOTOR BRAKE	LEVIER FREIN MOTEUR	HEBEL, MOTORBREMSE	R 430 / 430 S
30	12290800/ 0	2	DADO	NUT	ECROU	MUTTER	R 480
31	22399801/ 0	1	MANOPOLINA	KNOB	POIGNÉE	GRIFT	R 430 TR
32	12726388/ 0	1	VITE	SCREW	VIS	SCHRAUBE	R 434
33	22120148/ 0	1	CRUSCOTTO GIALLO	DASH BOARD YELLOW	CONSOLE JAUNE	KONSOLE GELBE	R 484
-	22120150/ 0	1	CRUSCOTTO ROSSO	DASH BOARD RED	CONSOLE ROUGE	KONSOLE ROTE	R 534
-	22120164/ 0	1	CRUSCOTTO NERO	DASH BOARD BLACK	CONSOLE NOIRE	KONSOLE SCHWARZE	R 484 TR / TR-E
34	22943006/ 0	1	VITE	SCREW	VIS	SCHRAUBE	R 534 TR / TR-E
35	14356795/ 0	1	ETICHETTA	LABEL	ETIQUETTE	ETIKETTE (B&S)	RL 430 / 430 S
-	14356797/ 0	1	ETICHETTA	LABEL	ETIQUETTE	ETIKETTE (TECUMSEH/HONDA)	RL 480
36	12154330/ 0	1	DADO	NUT	ECROU	MUTTER	RL 430 TR
37	22430309/ 0	1	MOLLA GUIDA	GUIDE SPRING	RESSORT DE GUIDE	FEDER FÜHRER	RL 434
38	12793301/ 0	2	VITE	SCREW	VIS	SCHRAUBE	RL 484
39	22778396/ 0	1	STAFFA DX	BRACKET, RIGHT	BRIDE DROITE	PRATZE, RECHTE	RL 534
40	12155000/ 0	4	DADO	NUT	ECROU	MUTTER	RL 484 TR
41	22601001/ 0	1	PROTEZIONE	PROTECTION	PROTECTION	SCHUTZ	RL 484 TR-E
42	22545156/ 0	2	PIASTRINA	PLATE	PLAQUETTE	PLATTE	RL 534 TR
43	12731350/ 0	8	VITE	SCREW	VIS	SCHRAUBE	RL 534 TR-E
44	22545152/ 0	2	PIASTRINA	PLATE	PLAQUETTE	PLATTE	TD 430 / 430 S
45	12729600/ 0	2	VITE	SCREW	VIS	SCHRAUBE	TD 480
46	12523040/ 0	5	RONDELLA	WASHER	RONDELLE	SCHEIBE	TD 430 TR
47	12789000/ 0	2	VITE	SCREW	VIS	SCHRAUBE	TD 434
48	12523020/ 0	1	RONDELLA	WASHER	RONDELLE	SCHEIBE	TD 484
49	12154330/ 0	1	DADO	NUT	ECROU	MUTTER	TD 534
50	22041965/ 0	2	BUSSOLA	BUSH	DOUILLE	BUCHSE	TD 484 TR
51	81003288/ 1	1	LEVA TRAZIONE	LEVER, DRIVING	LEVIER TRACTION	HEBEL, ANTRIEB	TD 484 TR-E
52	81007099/ 0	1	CAVO COMANDO MARCE	CABLE, SPEED DRIVE CONTROL	VITESSE CABLE, COMM. CHANGEMENT	KABEL, GÄNGESCHALTUN	TD 534 TR
53	22399802/ 0	1	MANOPOLINA	KNOB	POIGNÉE	GRIFF	TD 534 TR-E
55	22291050/ 0	1	IMPUGNATURA MANICO NERA	HANDGRIP BLACK	POIGNÉE NOIRE	HANDGRIFF SCHWARZER	TDL 430 / 430 S
-	22291052/ 0	1	IMPUGNATURA MANICO GIALLA	HANDGRIP YELLOW	POIGNÉE JAUNE	HANDGRIFF GELBER	TDL 480
-	22291051/ 0	1	IMPUGNATURA MANICO ROSSA	HANDGRIP RED	POIGNÉE ROUGE	HANDGRIFF RÖTER	TDL 434
56	22226050/ 0	1	MASCHERINA	MASK	MESQUE	MASKE	TDL 484
57	12735400/ 0	4	VITE	SCREW	VIS	SCHRAUBE	TDL 534
-	81008610/ 0	1	DOTAZIONE VITERIA	OUTFIT, SCREWS	DOTATION VISSERIE	SATZ, SCHRAUBEN	TDL 484 TR
-	81008498/ 0	1	DOTAZ. VITERIA CRUSCOTTO	OUTFIT, DASH-BOARD SCREWS	DOTATION VISSERIE CONSOLLE	SATZ, KONSOLE SCHRAUBEN	TDL 484 TR-E
VARIANTI PER AVVIAMENTO ELETTRICO - PARTS FOR ELECTIC START - COMPOSANTS POUR DÉMARRAGE ÉLECTRIQUE - ELEKTROSTART BESTANDTEILE							
201	18450050/ 0	1	INTERRUTTORE	SWITCH	INTERRUPTEUR	SCHALTER	CA 430
202	18204190/ 2	1	CAVO AVVIAMENTO	CABLE, START	CABLE DÉMARRAGE	KABEL, START	CA 480
203	18120050/ 0	1	BATTERIA	BATTERY	BATTERIE	BATTERIE	CA 434
204	18204110/ 0	1	CARICA BATTERIA	BATTERY CHARGER	CHARGEUR DE BATTERIE	LADGERÄT	CA 484
							CA 534
							CA 430 TR
							CA 434 TR
							CA 484 TR / TR-E
							CA 534 TR / TR-E
							CAL 430
							CAL 480
							CAL 434
							CAL 484
							CAL 534
							CAL 430 TR
							CAL 434 TR
							CAL 484 TR / TR-E
							CAL 534 TR / TR-E
							T 430 / 430 S
							T 480
							T 434
							T 484
							T 484 TR
							T 484 TR-E
							PAN 504
							PAN 504 TR
							PAN 504 TR-E
							PAN 504 TR-E 3S
							PAN 504 TR 3S
							NP 534
							NP 534 TR
							NP 534 TR-E
							NP 534 TR 3S
							NP 534 TR-E 3S
							S 474 L

1

2

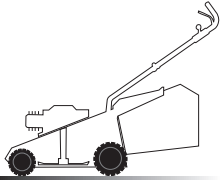
3

4

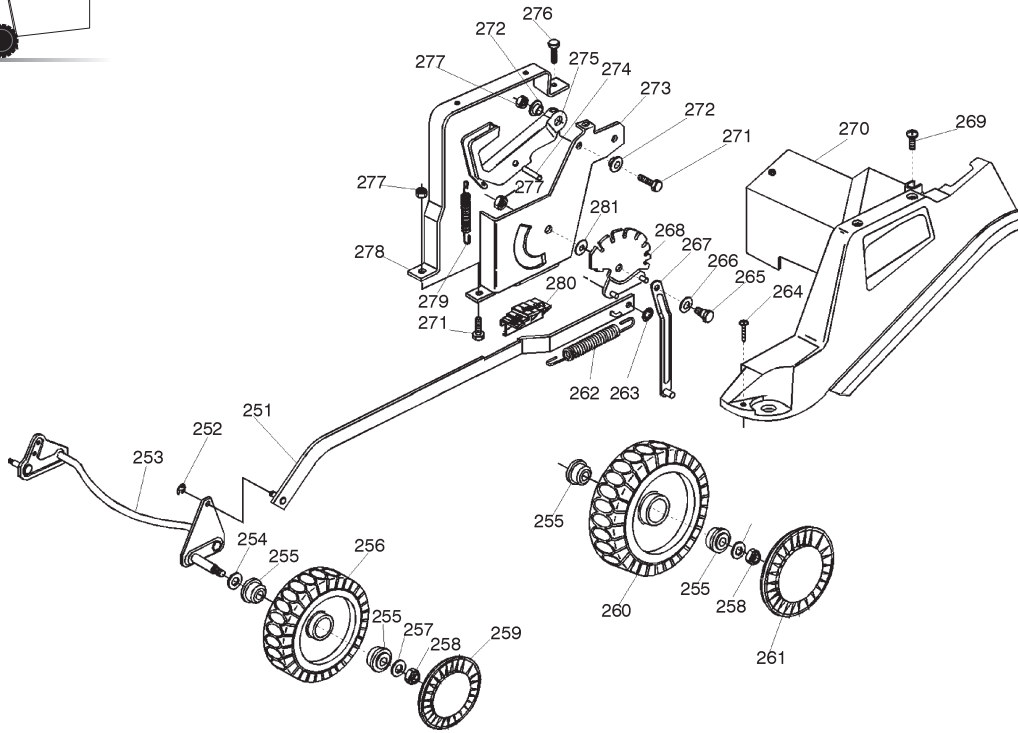
5

6

2



02D.029



- H 350
- K 350
- K 390
- C 350
- C 390
- NG 410 / 410 S
- NG 460
- NG 414
- NG 464
- NG 464 TR
- NG 464 TR-E
- NG 504
- NG 504 TR
- NG 504 TR-E
- R 430 / 430 S
- R 480
- R 430 TR
- R 434
- R 484
- R 534
- R 484 TR / TR-E
- R 534 TR / TR-E
- RL 430 / 430 S
- RL 480
- RL 430 TR
- RL 434
- RL 484
- RL 534
- RL 484 TR
- RL 484 TR-E
- RL 534 TR
- RL 534 TR-E
- TD 430 / 430 S
- TD 480
- TD 430 TR
- TD 434
- TD 484
- TD 534
- TD 484 TR
- TD 484 TR-E
- TD 534 TR
- TD 534 TR-E
- TDL 430 / 430 S
- TDL 480
- TDL 430 TR
- TDL 434
- TDL 484
- TDL 534
- TDL 484 TR
- TDL 484 TR-E
- TDL 534 TR
- TDL 534 TR-E
- CA 430
- CA 480
- CA 434
- CA 484
- CA 534
- CA 430 TR
- CA 434 TR
- CA 484 TR / TR-E
- CA 534 TR / TR-E
- CAL 430
- CAL 480
- CAL 434
- CAL 484
- CAL 534
- CAL 430 TR
- CAL 434 TR
- CAL 484 TR / TR-E
- CAL 534 TR / TR-E
- T 430 / 430 S
- T 480
- T 434
- T 484
- T 484 TR
- T 484 TR-E
- PAN 504
- PAN 504 TR
- PAN 504 TR-E
- PAN 504 TR-E 3S
- PAN 504 TR 3S
- NP 534
- NP 534 TR
- NP 534 TR-E
- NP 534 TR 3S
- NP 534 TR-E 3S
- S 474 L

02T.029

Pos	Code	Q.ty	Descrizione	Description	Description	Beschreibung
251	81001134/ 0	1	ASTA COMANDO REGOL. ALTEZZA	ROD, HEIGHT ADJUSTMENT CONTROL	TIGE COMMANDE REGLAGE HAUTEUR	STANGE, HÖHEVERSTELLUNG
-	81001136/ 0	1	ASTA COMANDO REGOL. ALTEZZA	ROD, HEIGHT ADJUSTMENT CONTROL	TIGE COMMANDE REGLAGE HAUTEUR	STANGE, HÖHEVERSTELLUNG (HONDA GCV 135/ 160)
252	12000930/ 0	2	ANELLO ELASTICO	SNAP RING	ANNEAU RESSORT	SPRENGRING
253	81002801/ 0	1	ASSE RUOTE ANTERIORE	AXLE, FRONT WHEELS	AXE ROUES AVANT	ACHSE, VORDERRAD
254	12530150/ 0	2	RONDELLA ELASTICA	ELASTIC WASHER	RONDELLE ELASTIQUE	ELASTISCHE SCHEIBE
255	22122200/ 0	8	CUSCINETTO	BEARING	COUSSINET	LAGER
256	81007317/ 0	2	RUOTA SCOLPITA Ø 170	WHEEL, KNOBBLY Ø 170	ROUE SCULPTEE Ø 170	RAD M. STOLLENPR. Ø 170
257	12521350/ 0	4	RONDELLA	WASHER	RONDELLE	SCHEIBE
258	12155000/ 0	4	DADO	NUT	ECROU	MUTTER
259	22110282/ 0	2	COPRIMOZZO BIANCO	HUB CAP WHITE	COUVRE-MOYEU BLANC	RADKAPPE WEIßE
-	22110288/ 0	2	COPRIMOZZO GIALLO	HUB CAP YELLOW	COUVRE-MOYEU JAUNE	RADKAPPE GELBE
-	22110290/ 1	2	COPRIMOZZO ROSSO	HUB CAP RED	COUVRE-MOYEU ROUGE	RADKAPPE ROTE
260	81007318/ 1	2	RUOTA SCOLPITA Ø 210	WHEEL, KNOBBLY Ø 210	ROUE SCULPTEE Ø 210	RAD M. STOLLENPR. Ø 210
261	22110281/ 0	2	COPRIMOZZO BIANCO	HUB CAP WHITE	COUVRE-MOYEU BLANC	RADKAPPE WEIßE
-	22110287/ 0	2	COPRIMOZZO GIALLO	HUB CAP YELLOW	COUVRE-MOYEU JAUNE	RADKAPPE GELBE
-	22110289/ 0	2	COPRIMOZZO ROSSO	HUB CAP RED	COUVRE-MOYEU ROUGE	RADKAPPE ROTE
262	22446180/ 0	1	MOLLA	SPRING	RESSORT	FEDER
263	12604899/ 0	2	ANELLO ELASTICO	ELASTIC RING	ANNEAU ELASTIQUE	ELASTISCHER RING
264	12728519/ 0	3	VITE	SCREW	VIS	SCHRAUBE
265	22529662/ 0	1	PERNO FULCRO	FULCRUM PIN	PIVOT	BOLZEN
266	22672151/ 0	1	RONDELLA	WASHER	RONDELLE	SCHEIBE
267	81001269/ 0	1	ASTA ASSE POSTERIORE	ROD, REAR WHEELS AXLE	TIGE, AXE ROUE ARRIERES	STANGE, HINTERRADACHSE
268	81000479/ 0	1	SETTORE DI REGOLAZIONE	SECTOR, HEIGHT ADJUSTMENT	SECTEUR REGLAGE	SEKTOR, HÖHEVERSTELLUNG
269	12728520/ 0	1	VITE	SCREW	VIS	SCHRAUBE
270	22060144/ 0	1	CARTER REGOLAZIONE	DECK, ADJUSTMENT	CHÂSSIS REGLAGE	GEHÄUSE VERSTELLUNG
271	12793301/ 0	3	VITE	SCREW	VIS	SCHRAUBE
272	25038002/ 0	2	BUSSOLA	BUSH	DOUILLE	BUCHSE
273	22785109/ 0	1	SUPPORTO REGOLAZIONE ALTEZZA	SUPPORT, HEIGHT ADJUSTMENT	SUPPORTO REGLAGE	HALTER, HÖHEVERSTELLUNG
274	12622640/ 0	1	SPINA	PIN	GOUILLE	STIFT
275	22393611/ 1	1	MANIGLIA	HANDLE	POIGNÉE	GRIFF
276	12729600/ 0	1	VITE	SCREW	VIS	SCHRAUBE
277	12293201/ 0	4	DADO	NUT	ECROU	MUTTER
278	22785113/ 0	1	SUPPORTO MANIGLIA	SUPPORT, HANDLE	SUPPORT POIGNÉE	HALTER, GRIFF
279	22446175/ 0	1	MOLLA	SPRING	RESSORT	FEDER
280	22570200/ 0	1	PLACCHETTA POSIZIONI	PLATE, CUTTING POSITIONS	PLAQUETTE REGLAGE	PLATTE, HÖHEVERSTELLUNG
281	22672152/ 0	1	RONDELLA	WASHER	RONDELLE	SCHEIBE

1

2

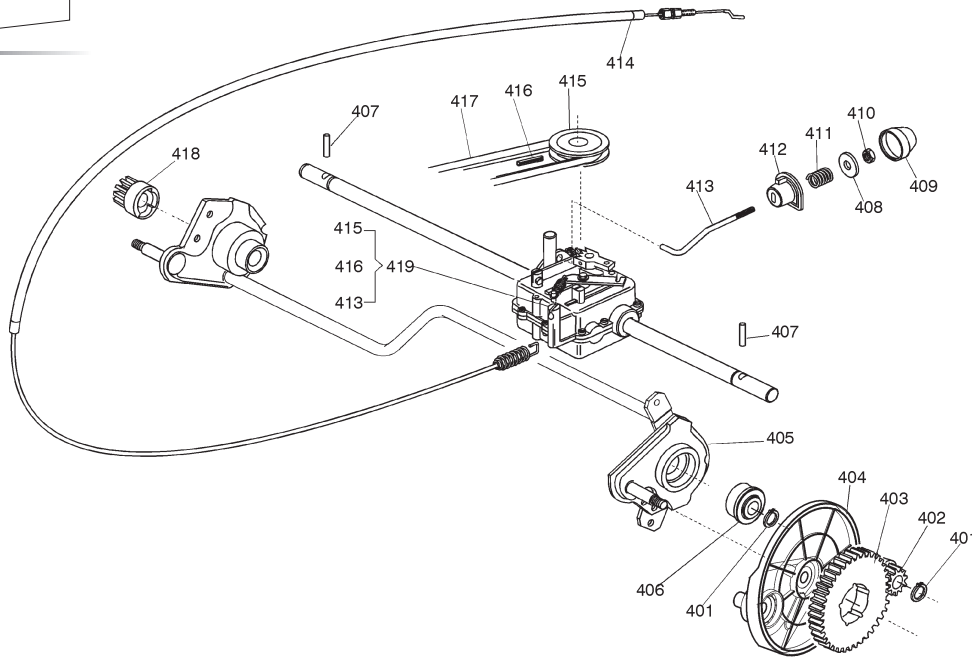
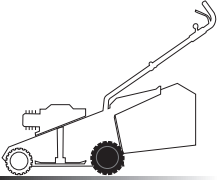
3

4

5

6

3



- H 350
- K 350
- K 390
- C 350
- C 390
- NG 410 / 410 S
- NG 460
- NG 414
- NG 464
- NG 464 TR
- NG 464 TR-E
- NG 504
- NG 504 TR
- NG 504 TR-E
- R 430 / 430 S
- R 480
- R 430 TR
- R 434
- R 484
- R 534
- R 484 TR / TR-E
- R 534 TR / TR-E
- RL 430 / 430 S
- RL 480
- RL 430 TR
- RL 434
- RL 484
- RL 534
- RL 484 TR
- RL 484 TR-E
- RL 534 TR
- RL 534 TR-E
- TD 430 / 430 S
- TD 480
- TD 430 TR
- TD 434
- TD 484
- TD 534
- TD 484 TR
- TD 484 TR-E
- TD 534 TR
- TD 534 TR-E
- TDL 430 / 430 S
- TDL 480
- TDL 430 TR
- TDL 434
- TDL 484
- TDL 534
- TDL 484 TR
- TDL 484 TR-E
- TDL 534 TR
- TDL 534 TR-E
- CA 430
- CA 480
- CA 434
- CA 484
- CA 534
- CA 430 TR
- CA 434 TR
- CA 484 TR / TR-E
- CA 534 TR / TR-E
- CAL 430
- CAL 480
- CAL 434
- CAL 484
- CAL 534
- CAL 430 TR
- CAL 434 TR
- CAL 484 TR / TR-E
- CAL 534 TR / TR-E
- T 430 / 430 S
- T 480
- T 434
- T 484
- T 484 TR
- T 484 TR-E
- PAN 504
- PAN 504 TR
- PAN 504 TR-E
- PAN 504 TR-E 3S
- PAN 504 TR 3S
- NP 534
- NP 534 TR
- NP 534 TR-E
- NP 534 TR 3S
- NP 534 TR-E 3S
- S 474 L

03T.013

Pos	Code	Q.ty	Descrizione	Description	Description	Beshreibung
401	12608600/0	4	SEEGER	SEEGER	SEEGER	SEEGER
402	22570120/1	1	PIGNONE SINISTRO	PINION LEFT	PIGNON GAUCHE	RITZEL LINKES
403	22120105/1	2	CORONA	RING GEAR	COURONNE	KRANZ
404	22600091/0	2	PROTEZIONE RUOTE	PROTECTION, WHEEL	PROTECTION ROUE	SCHÜTZ, RÄDER
405	81002811/0	1	ASSE RUOTE POSTERIORE	AXLE, REAR WHEELS	AXE ROUES ARRIERE	ACHSE, HINTERRAD
406	19216035/0	2	CUSCINETTO	BEARING	COUSSINET	LAGER
407	22753000/0	2	SPINA	PIN	GOUPILLE	STIFT
408	22680009/0	1	RONDELLA	WASHER	RONDELLE	SCHEIBE
409	22110230/0	1	TAPPO	CAP	BOUCHON	GUMMISTOPFEN
410	12154510/0	1	DADO	NUT	ECROU	MUTTER
411	22450063/0	1	MOLLA	SPRING	RESSORT	FEDER
412	22041957/0	1	BUSSOLA	BUSH	DOUILLE	BUCHSE
413	22033281/0	1	ASTA REGOLAZIONE	ADJUSTMENT ROD	TIGE REGLAGE	VERSTELLUNGSTANGE
414	81001145/0	1	CAVO COMANDO TRAZIONE	CABLE, REAR DRIVE	CÂBLE, COMMANDE TRACTI N	KABEL, ANTRIEB
415	22601904/0	1	PULEGGIA	PULLEY	POULIE	RIEMENSCHIEBE
416	12645705/0	1	SPINA	PIN	GOUPILLE	STIFT
417	35064195/0	1	CINGHIA Z 33	BELT Z 33	COURROIE Z 33	RIEMEN Z 33
418	22570110/1	1	PIGNONE DESTRO	PINION RIGHT	PIGNON DROITE	RITZEL RECHTES
419	81003070/0	1	GRUPPO TRAZIONE	GEAR BOX	GROUPE TRACTION	ANTRIEB

1

2

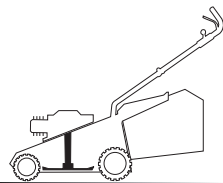
3

4

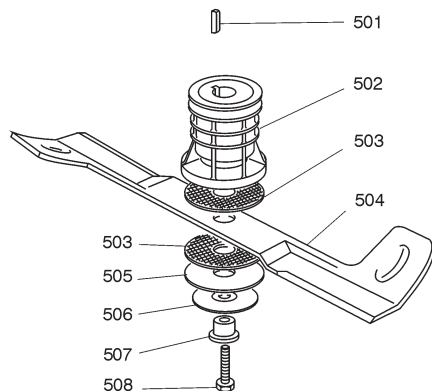
5

6

5



06D.005



05T.020

Pos	Code	Q.ty	Descrizione	Description	Description	Beschreibung	
151	12139100/ 0	1	LINGUETTA	FEATHER	CLAVETTE	KEIL	
152	22465611/ 0	1	MOZZO	HUB	MOYEU	HALTER	
153	22672110/ 1	2	RONDELLA FRIZIONE	CLUTCH WASHER	RONDELLE FRICTION	KUPPLUNGSCHEIBE	
154	81004398/ 0	1	COLTELLO ALETTATO	BLADE WINGED	LAME AILETTÉE	MESSER FLÜGEL	51 cm
155	12508120/ 0	1	MOLLA A TAZZA	CUPPED SPRING	RESSORT	TELLER FEDER	
156	22672105/ 0	1	RONDELLA	WASHER	RONDELLE	SCHEIBE	
157	22041940/ 0	1	BUSSOLA FRIZIONE	CLUTCH BUSH	DOUILLE FRICTION	KUPPLUNGSSCHEIBE	
158	12736850/ 0	1	VITE	SCREW	VIS	SCHRAUBE	

- H 350
- K 350
- K 390
- C 350
- C 390
- NG 410 / 410 S
- NG 460
- NG 414
- NG 464
- NG 464 TR
- NG 464 TR-E
- NG 504
- NG 504 TR
- NG 504 TR-E
- R 430 / 430 S
- R 480
- R 430 TR
- R 434
- R 484
- R 534
- R 484 TR / TR-E
- R 534 TR / TR-E
- RL 430 / 430 S
- RL 480
- RL 430 TR
- RL 434
- RL 484
- RL 534
- RL 484 TR
- RL 484 TR-E
- RL 534 TR
- RL 534 TR-E
- TD 430 / 430 S
- TD 480
- TD 430 TR
- TD 434
- TD 484
- TD 534
- TD 484 TR
- TD 484 TR-E
- TD 534 TR
- TD 534 TR-E
- TDL 430 / 430 S
- TDL 480
- TDL 430 TR
- TDL 434
- TDL 484
- TDL 534
- TDL 484 TR
- TDL 484 TR-E
- TDL 534 TR
- TDL 534 TR-E
- CA 430
- CA 480
- CA 434
- CA 484
- CA 534
- CA 430 TR
- CA 434 TR
- CA 484 TR / TR-E
- CA 534 TR / TR-E
- CAL 430
- CAL 480
- CAL 434
- CAL 484
- CAL 534
- CAL 430 TR
- CAL 434 TR
- CAL 484 TR / TR-E
- CAL 534 TR / TR-E
- T 430 / 430 S
- T 480
- T 434
- T 484
- T 484 TR
- T 484 TR-E
- PAN 504
- PAN 504 TR
- PAN 504 TR-E
- PAN 504 TR-E 3S
- PAN 504 TR 3S
- NP 534
- NP 534 TR
- NP 534 TR-E
- NP 534 TR 3S
- NP 534 TR-E 3S
- S 474 L

1

2

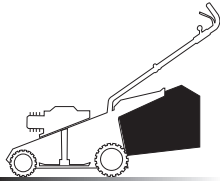
3

4

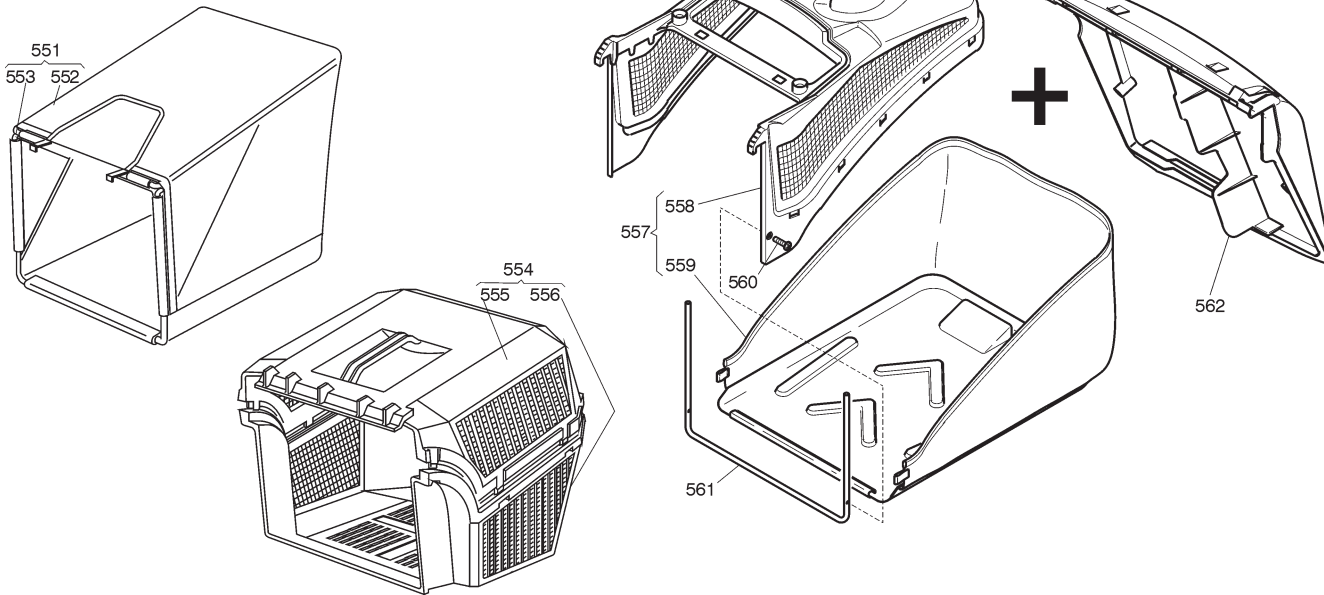
5

6

6



06D.004



06T.004

Pos	Code	Q.ty	Descrizione	Description	Description	Beschreibung
551	96400000/0	1	SACCO IN TELA, COMPLETO	GRASSCATCHER, CANVASS COMPLETE	SAC EN TOILE, COMPLETE	SACK, KOMPLETTE
552	81002124/ 1	1	SACCO, TELA	BOX, FABRIC	SAC, TOILE	SACK, TUCK
553	81006430/0	1	TELAIO SACCO	CHASSIS BOX	CHÂSSIS BAC	RAHMEN SACK
554	96500000/0	1	SACCO, COMPLETO	GRASSCATCHER, COMPLETE	SAC, COMPLETE	SACK, KOMPLETTE
555	22486065/0	1	SACCO, PARTE SUPERIORE	GRASS-BOX, UPPER PART	SAC, PARTIE SUPERIEURE	KORB, OBERTEIL
556	22486064/0	1	SACCO, PARTE INFERIORE	GRASS-BOX, LOWER PART	SAC, PARTIE INFÉRIEURE	KORB, UNTERTEIL
557	92140000/0	1	SACCO COMPLETO	GRASS-BOX, COMPLETE	BAC COMPLET	KORB, KOMPLETTE
558	22486090/0	1	SACCO, PARTE SUPERIORE	GRASS-BOX, UPPER PART	SAC, PARTIE SUPERIEURE	KORB, OBERTEIL
559	22608524/0	1	RINFORZO INFERIORE	STIFFENING LOWER	RÉNFORCEMENT INFÉRIEUR	VERSTÄRKUNG UNTERE
560	12728445/0	1	VITE	SCREW	VIS	SCHRAUBE
561	81002185/0	1	SACCO, TELA	BOX, FABRIC	SAC, TOILE	SACK, TUCK
562	22600066/0	1	PARASASSI	STONE GUARD	PARE PIERRES	PRALLBLECH

- H 350
- K 350
- K 390
- C 350
- C 390
- NG 410 / 410 S
- NG 460
- NG 414
- NG 464
- NG 464 TR
- NG 464 TR-E
- NG 504
- NG 504 TR
- NG 504 TR-E
- R 430 / 430 S
- R 480
- R 430 TR
- R 434
- R 484
- R 534
- R 484 TR / TR-E
- R 534 TR / TR-E
- RL 430 / 430 S
- RL 480
- RL 430 TR
- RL 434
- RL 484
- RL 534
- RL 484 TR
- RL 484 TR-E
- RL 534 TR
- RL 534 TR-E
- TD 430 / 430 S
- TD 480
- TD 430 TR
- TD 434
- TD 484
- TD 534
- TD 484 TR
- TD 484 TR-E
- TD 534 TR
- TD 534 TR-E
- TDL 430 / 430 S
- TDL 480
- TDL 430 TR
- TDL 434
- TDL 484
- TDL 534
- TDL 484 TR
- TDL 484 TR-E
- TDL 534 TR
- TDL 534 TR-E
- CA 430
- CA 480
- CA 434
- CA 484
- CA 534
- CA 430 TR
- CA 434 TR
- CA 484 TR / TR-E
- CA 534 TR / TR-E
- CAL 430
- CAL 480
- CAL 434
- CAL 484
- CAL 534
- CAL 430 TR
- CAL 434 TR
- CAL 484 TR / TR-E
- CAL 534 TR / TR-E
- T 430 / 430 S
- T 480
- T 434
- T 484
- T 484 TR
- T 484 TR-E
- PAN 504
- PAN 504 TR
- PAN 504 TR-E
- PAN 504 TR-E 3S
- PAN 504 TR 3S
- NP 534
- NP 534 TR
- NP 534 TR-E
- NP 534 TR 3S
- NP 534 TR-E 3S
- S 474 L

1

2

3

4

5

6