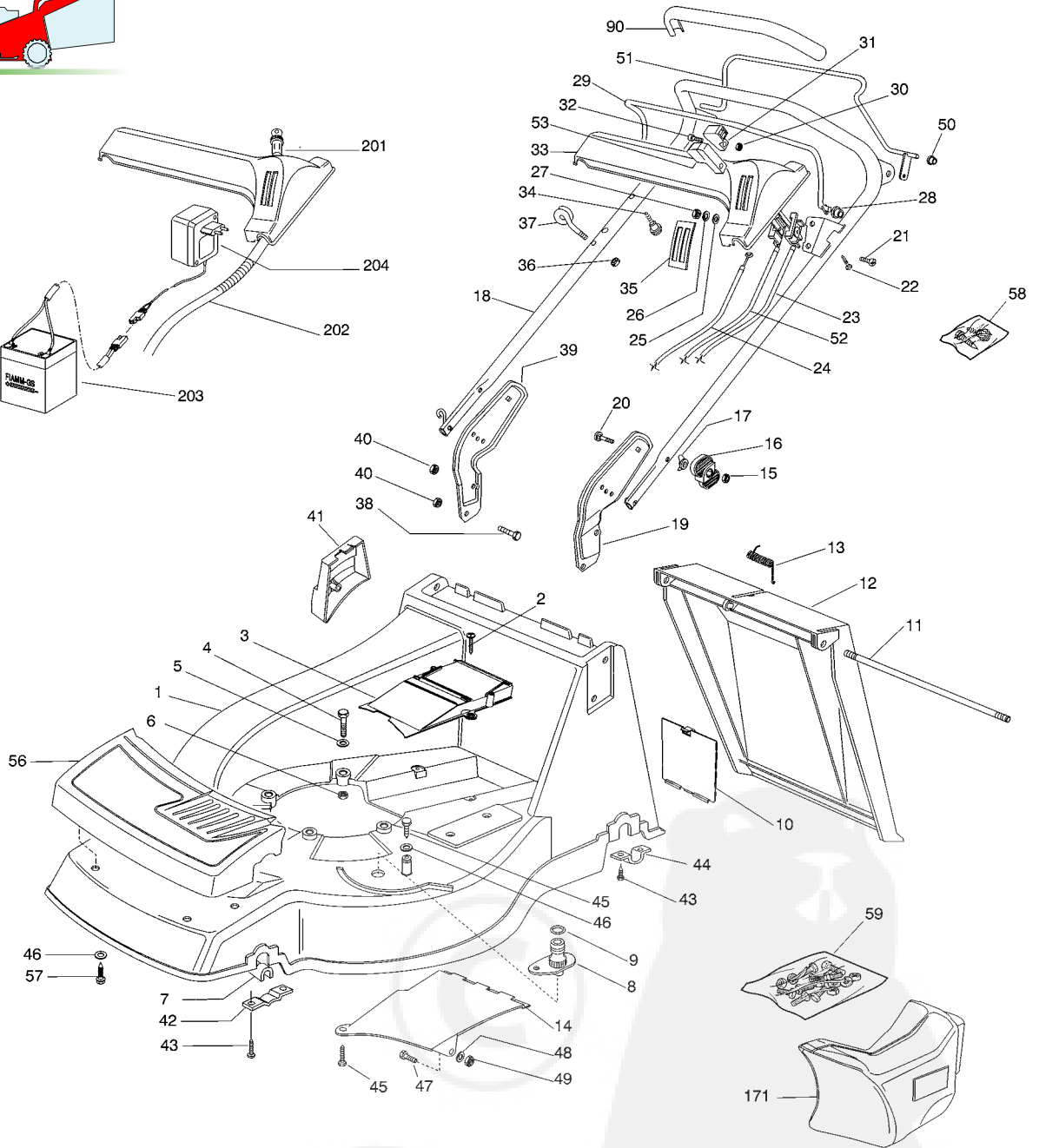


01D_NP534TR3S



Pos.	Code	Q.ty	Descrizione	Description	Description	Beshreibung	Remarks
1	81001653/0	1	CHASSIS GIALLO	DECK YELLOW	CHÂSSIS JAUNE	GEHÄUSE GELB	
-	81001651/0	1	CHASSIS ROSSO	DECK RED	CHÂSSIS ROUGE	GEHÄUSE ROT	
-	81001655/0	1	CHASSIS VERDE	DECK GREEN	CHÂSSIS VERT	GEHÄUSE GRÜN	
2	12728522/0	2	VITE	SCREW	VIS	SCHRAUBE	
3	22060200/0	1	CARTER CINGHIA	PROTECTION, BELT	PROTECTION COURROIRE	SCHUTZ, RIEMEN	
4	12692080/0	0/1	VITE	SCREW	VIS	SCHRAUBE	
-	12691800/0	3/2	VITE	SCREW	VIS	SCHRAUBE	
5	12521350/0	3	ROSETTA	WASHER	RONDELLE	SCHEIBE	
6	12155000/0	3	DADO	NUT	ECROU	MUTTER	
7	22038400/1	2	BRONZINA	BRASS	DOUILLE	BUCHSE	
8	22034000/0	1	ATTACCO ACQUA LAVAGGIO	WASHING CONNECTION	ATTACHE LAVAGE	WASCHENVERBINDUNG	



GLOBAL GARDEN PRODUCTS

Pos.	Code	Q.ty	Descrizione	Description	Description	Beshreibung	Remarks
9	19035000/0	1	ANELLO OR	OR RING	BAGUE OR	RING OR	
10	22595352/0	1	PORTINA CHIUSURA	INSPECTION DOOR	VOYANT DE VISITE	ABDECKPLATTE	
11	22517856/0	1	PERNO	PIN	PIVOT	BOLZEN	
12	22600023/2	1	PARASASSI	STONE-GUARD	PARE-PIERRES	PRALLBLECH	
13	22450270/0	1	MOLLA	SPRING	RESSORT	FEDER	
14	22108205/0	1	CONVOGLIATORE	CONVEYOR	CONVOYEUR	KONVEYOR	
15	12293200/0	2	DADO	NUT	ECROU	MUTTER	
16	22399803/0	2	MANOPOLINA	KNOB	POIGNÉE	GRIFF	
17	22680006/1	2	ROSETTA	WASHER	RONDELLE	SCHEIBE	
18	81007028/1	1	MANICO SUPERIORE	HANDLE, UPPER PART	MANCHERON SUPERIEURE	HOLM, OBERTEIL	
19	22778397/0	1	STAFFA SX	BRACKET, L	BRIDE G	PRATZE, LINKE	
20	12819120/0	2	VITE	SCREW	VIS	SCHRAUBE	
21	12788910/0	2	VITE	SCREW	VIS	SCHRAUBE	
22	12728460/0	1	VITE	SCREW	VIS	SCHRAUBE	
23	81007091/0	1	CAVO ACCELERATORE	CABLE, TROTTLER	CABLE, ACCELERATEUR	KABLE, BESCHLEUNIGER	(B&S)
-	81007092/0	1	CAVO ACCELERATORE	CABLE, TROTTLER	CABLE, ACCELERATEUR	KABLE, BESCHLEUNIGER	(TECUMSEH-HONDA)
24	81000634/0	1	CAVO FRENO MOTORE	CABLE, THREAD MOTOR BRAKE	CABLE FREIN MOTEUR	KABEL, MOTORBREMSE	(B&S)
-	81000641/0	1	CAVO FRENO MOTORE	CABLE, THREAD MOTOR BRAKE	CABLE FREIN MOTEUR	KABEL, MOTORBREMSE	(HONDA NP 534 TR 3S)
-	81000629/1	1	CAVO FRENO MOTORE	CABLE, THREAD MOTOR BRAKE	CABLE FREIN MOTEUR	KABEL, MOTORBREMSE	(TECUMSEH)
25	12523020/0	2	ROSETTA	WASHER	RONDELLE	SCHEIBE	
26	12581500/0	2	GROWER	GROWER	GROWER	FEDERRING	
27	12291000/0	2	DADO	NUT	ECROU	MUTTER	
28	22041966/0	2	BUSSOLA	BUSH	DOUILLE	BUCHSE	
29	81003291/3	1	LEVA FRENO MOTORE	LEVER, MOTOR BRAKE	LEVIER FREIN MOTEUR	HEBEL, MOTORBREMSE	
30	12290800/0	2	DADO	NUT	ECROU	MUTTER	
31	22399801/0	1	MANOPOLINA	KNOB	POIGNÉE	GRIFF	
32	12726388/0	2	VITE	SCREW	VIS	SCHRAUBE	
33	22120148/0	1	CRUSCOTTO GIALLO	DASH BOARD YELLOW	CONSOLE JAUNE	KONSOLE GELBE	
-	22120164/0	1	CRUSCOTTO NERO	DASH BOARD BLACK	CONSOLE NOIRE	KONSOLE SCHWARZE	
-	22120150/0	1	CRUSCOTTO ROSSO	DASH BOARD RED	CONSOLE ROUGE	KONSOLE ROTE	
34	22943006/0	1	VITE	SCREW	VIS	SCHRAUBE	
35	14356795/0	1	ETICHETTA	LABEL	ETIQUETTE	ETIKETTE	(B&S)
-	14356797/0	1	ETICHETTA	LABEL	ETIQUETTE	ETIKETTE	(HONDA)
-	14357651/0	1	ETICHETTA	LABEL	ETIQUETTE	ETIKETTE	(TECUMSEH)
36	12154330/0	1	DADO	NUT	ECROU	MUTTER	
37	22430309/0	1	MOLLA GUIDA	GUIDE SPRING	RESSORT DE GUIDE	FEDER FÜHRER	
38	12793301/0	2	VITE	SCREW	VIS	SCHRAUBE	
39	22778396/0	1	STAFFA DX	BRACKET, R	BRIDE D	PRATZE, RECHTE	
40	12155000/0	4	DADO	NUT	ECROU	MUTTER	
41	22601001/0	1	PROTEZIONE	PROTECTION	PROTECTION	SCHUTZ	
42	22545156/0	2	PIASTRINA	PLATE	PLAQUETTE	PLÄTTCHEN	
43	12731350/0	8	VITE	SCREW	VIS	SCHRAUBE	
44	22545152/0	2	PIASTRINA	PLATE	PLAQUETTE	PLÄTTCHEN	
45	12729600/0	2	VITE	SCREW	VIS	SCHRAUBE	
46	12523040/0	5	ROSETTA	WASHER	RONDELLE	SCHEIBE	
47	12789000/0	1	VITE	SCREW	VIS	SCHRAUBE	
48	12523020/0	1	ROSETTA	WASHER	RONDELLE	SCHEIBE	
49	12154330/0	1	DADO	NUT	ECROU	MUTTER	
50	22041965/1	2	BUSSOLA	BUSH	DOUILLE	BUCHSE	
51	81003288/1	1	LEVA TRAZIONE	DRIVING LEVER	LEVIER TRACTION	ANTRIEBHEBEL	
52	81007099/0	1	CAVO COMANDO MARCE	CABLE, SPEED DRIVE CONTROL	CABLE, COMM. CHANGEMENT VITESSE	KABEL, GÄNGESCHALTUN	
53	22399802/0	1	MANOPOLINA	KNOB	POIGNÉE	GRIFF	
55	22291052/0	1	IMPUGNATURA MANICO GIALLA	HANDGRIP YELLOW	POIGNÉE JAUNE	HANDGRIFF GELBER	
-	22291050/0	1	IMPUGNATURA MANICO NERA	HANDGRIP BLACK	POIGNÉE NOIRE	HANDGRIFF SCHWARZER	



86

GLOBAL GARDEN PRODUCTS

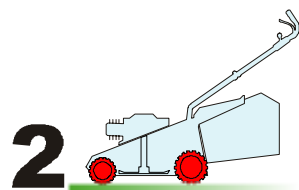
Pos.	Code	Q.ty	Descrizione	Description	Description	Beshreibung	Remarks
55	22291051/0	1	IMPUGNATURA MANICO ROSSA	HANDGRIP RED	POIGNÉE ROUGE	HANDGRIFF RÖTER	
56	22226050/0	1	MASCHERINA	MASK	MESQUE	MASKE	
57	12735402/0	4	VITE	SCREW	VIS	SCHRAUBE	
58	81008498/0	1	DOTAZIONE VITERIA CRUSCOTTO	OUTFIT, DASH-BOARD SCREWS	DOTATION VISSERIE CONSOLLE	SATZ, KONSOLE SCHRAUBEN	
59	81008610/0	1	DOTAZIONE VITERIA	OUTFIT, SCREWS	DOTATION VISSERIE	SATZ, SCHRAUBEN	

VARIANTE MULCHING - MULCHING MODIFICATION - MODIFICATION MULCHING - ÄNDERUNGEN MULCHING

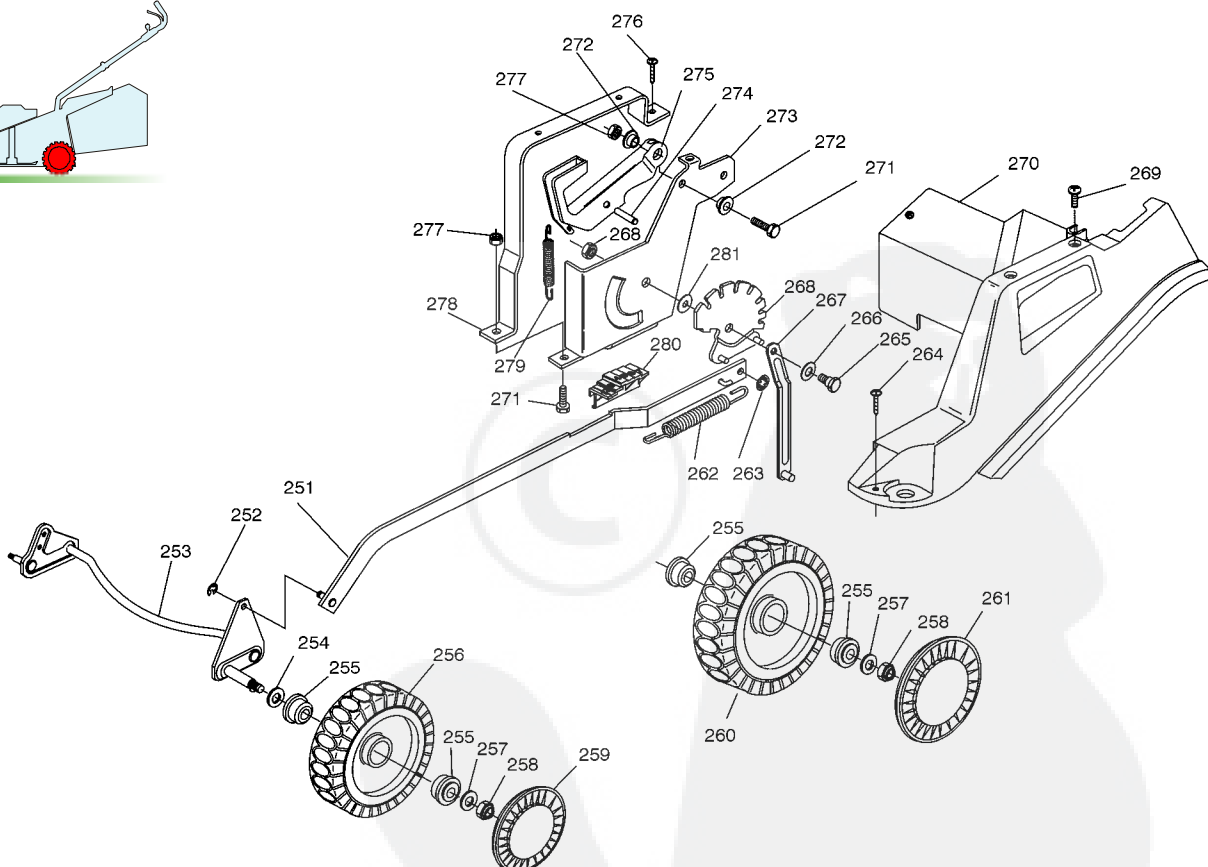
Pos.	Code	Q.ty	Descrizione	Description	Description	Beshreibung	Remarks
171	22140224/0	1	TAPPO	CAP	BOUCHON	GUMMISTOPFEN	

VARIANTI PER AVVIAMENTO ELETTRICO - PARTS FOR ELECTIC START - COMPOSANTS POUR DÉMARRAGE ÉLECTRIQUE - ELEKTROSTART BESTANDTEILE

Pos.	Code	Q.ty	Descrizione	Description	Description	Beshreibung	Remarks
201	18450050/0	1	INTERRUTTORE	SWITCH	INTERRUPTEUR	SCHALTER	
202	18204192/2	1	CAVO AVVIAMENTO	CABLE, START	CABLE DÉMARRAGE	KABEL, START	(B&S)
-	18204190/3	1	CAVO AVVIAMENTO	CABLE, START	CABLE DÉMARRAGE	KABEL, START	(TECUMSEH)
203	18120052/0	1	BATTERIA	BATTERY	BATTERIE	BATTERIE	
204	18204120/0	1	CARICA BATTERIA	BATTERY CHARGER	CHARGEUR DE BATTERIE	LADGERÄT	
-	18204121/0	1	CARICA BATTERIA	BATTERY CHARGER	CHARGEUR DE BATTERIE	LADGERÄT	(UK)



02D_021



Pos.	Code	Q.ty	Descrizione	Description	Description	Beshreibung	Remarks
251	81001134/0	1	ASTA COMANDO REGOL. ALTEZZA	ROD, HEIGHT ADJUSTMENT CONTROL	TIGE COMMANDE REGLAGE HAUTEUR	STANGE, HÖHEVERSTELLUNG	
-	81001136/0	1	ASTA COMANDO REGOL. ALTEZZA	ROD, HEIGHT ADJUSTMENT CONTROL	TIGE COMMANDE REGLAGE HAUTEUR	STANGE, HÖHEVERSTELLUNG	(HONDA GCV 135/160)
252	12000930/0	2	ANELLO ELASTICO	SNAP RING	ANNEAU RESSORT	SPRENGRING	
253	81002801/1	1	ASSE RUOTE ANTERIORE	AXLE, FRONT WHEELS	AXE ROUES AVANT	ACHSE, VORDERRAD	
254	12530150/0	2	ROSETTA ELASTICA	SPRING WASHER	RONDELLE ELASTIQUE	ELASTISCHE SCHEIBE	

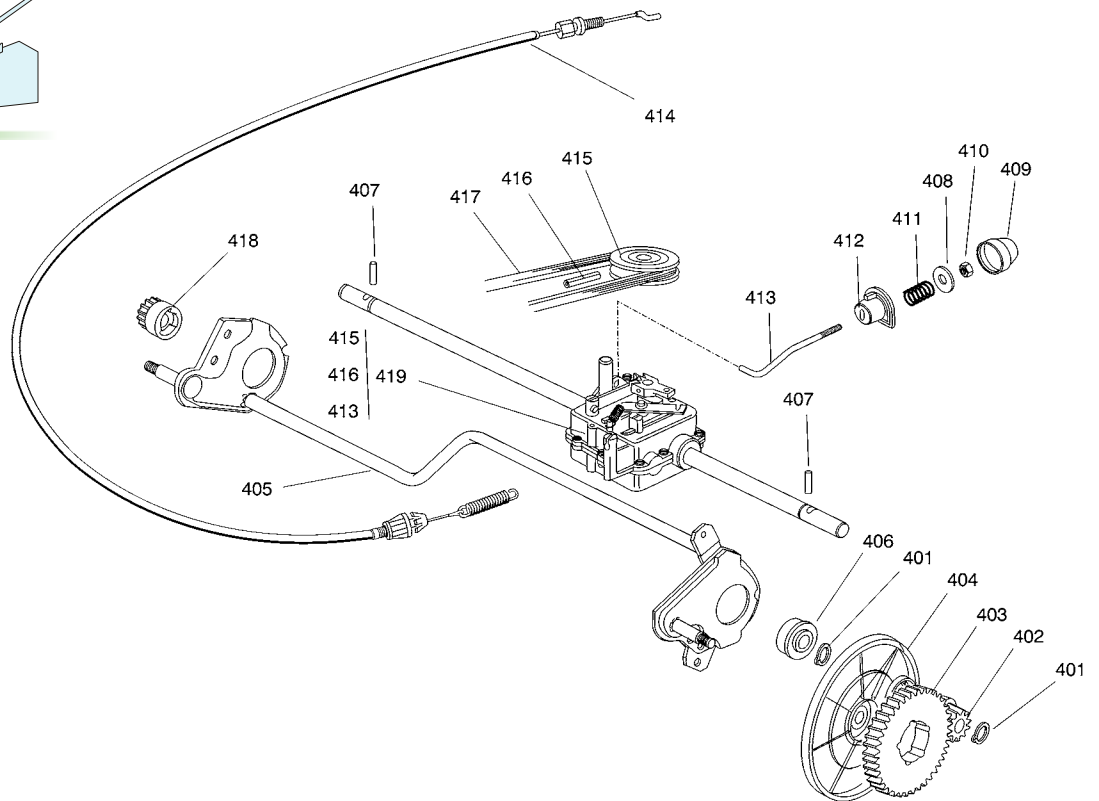
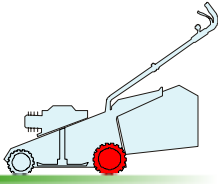


GLOBAL GARDEN PRODUCTS

Pos.	Code	Q.ty	Descrizione	Description	Description	Beshreibung	Remarks
255	22122200/0	8	CUSCINETTO	BEARING	COUSSINET	LAGER	
256	81007317/0	2	RUOTA Ø 170	WHEEL Ø 170	ROUE Ø 170	RAD. Ø 170	
257	12521350/0	2	ROSETTA	WASHER	RONDELLE	SCHEIBE	
258	12155000/0	4	DADO	NUT	ECROU	MUTTER	
259	22110282/0	2	COPRIMOZZO BIANCO	HUB CAP WHITE	COUVRE-MOYEU BLANC	RADKAPPE WEIßE	
-	22110288/0	2	COPRIMOZZO GIALLO	HUB CAP YELLOW	COUVRE-MOYEU JAUNE	RADKAPPE GELBE	
-	22110290/0	2	COPRIMOZZO ROSSO	HUB CAP RED	COUVRE-MOYEU ROUGE	RADKAPPE RÖTE	
260	81007318/1	2	RUOTA Ø 210	WHEEL Ø 210	ROUE Ø 210	RAD. Ø 210	
261	22110281/0	2	COPRIMOZZO BIANCO	HUB CAP WHITE	COUVRE-MOYEU BLANC	RADKAPPE WEIßE	
-	22110287/0	2	COPRIMOZZO GIALLO	HUB CAP YELLOW	COUVRE-MOYEU JAUNE	RADKAPPE GELBE	
-	22110289/0	2	COPRIMOZZO ROSSO	HUB CAP RED	COUVRE-MOYEU ROUGE	RADKAPPE RÖTE	
262	22446180/0	1	MOLLA	SPRING	RESSORT	FEDER	
263	12604899/0	2	FISSATORE A CORONA	CROWN FASTENER	FIXATEUR A COURONNE	KRONESCHEIBE	
264	12728519/0	3	VITE	SCREW	VIS	SCHRAUBE	
265	22529662/0	1	PERNO FULCRO	FULCRUM PIN	PIVOT	GELENKPUNKT	
266	22672151/0	1	ROSETTA	WASHER	RONDELLE	SCHEIBE	
267	81001269/0	1	ASTA ASSE POSTERIORE	ROD, REAR WHEELS AXLE	TIGE, AXE ROUE ARRIERES	STANGE, HINTERRADACHSE	
268	81000479/0	1	SETTORE DI REGOLAZIONE	SECTOR, HEIGHT ADJUSTMENT	SECTEUR REGLAGE	SEKTOR, HÖHEVERSTELLUNG	
269	12728520/0	1	VITE	SCREW	VIS	SCHRAUBE	
270	22060144/1	1	CARTER REGOLAZIONE	DECK, ADJUSTMENT	CHÄSSIS REGLAGE	GEHÄUSE VERSTELLUNG	
271	12793301/0	3	VITE	SCREW	VIS	SCHRAUBE	
272	25038002/1	2	BUSSOLA	BUSH	DOUILLE	BUCHSE	
273	22785109/0	1	SUPPORTO REGOLAZIONE ALTEZZA	SUPPORT, HEIGHT ADJUSTMENT	SUPPORT REGLAGE	HALTER, HÖHEVERSTELLUNG	
274	12622640/0	1	SPINA	PIN	GOUPILLE	STIFT	
275	22393611/1	1	MANIGLIA	HANDLE	POIGNÉE	GRIFF	
276	12729600/0	1	VITE	SCREW	VIS	SCHRAUBE	
277	12293201/0	3	DADO	NUT	ECROU	MUTTER	
278	22785113/0	1	SUPPORTO MANIGLIA	SUPPORT, HANDLE	SUPPORT POIGNÉE	HALTER, GRIFF	
279	22446175/0	1	MOLLA	SPRING	RESSORT	FEDER	
280	22570200/0	1	PLACCHETTA POSIZIONI	PLATE, CUTTING POSITIONS	PLAQUETTE REGLAGE	PLATTE, HÖHEVERSTELLUNG	
281	22672152/0	1	ROSETTA	WASHER	RONDELLE	SCHEIBE	

3

03D_007

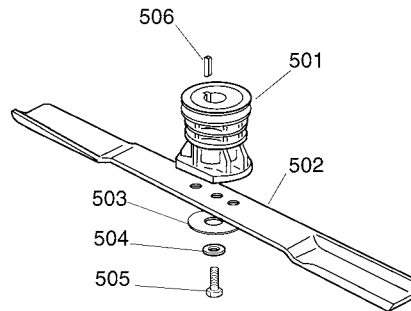
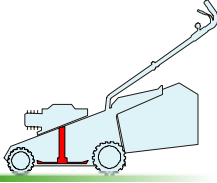


Pos.	Code	Q.ty	Descrizione	Description	Description	Beshreibung	Remarks
401	12608600/0	4	SEEGER	SEEGER	SEEGER	SEEGER	
402	22570120/1	1	PIGNONE SX	PINION L	PIGNON G	RITZEL LINKES	
403	22120105/1	2	CORONA	RING GEAR	COURONNE	KRANZ	
404	22600091/0	2	PROT. RUOTE	PROTECTION, WHEEL	PROTECTION ROUE	SCHÜTZ, RÄDER	
405	81002811/0	1	ASSE RUOTE POSTERIORE	AXLE, REAR WHEELS	AXE ROUES ARRIERE	ACHSE, HINTERRAD	
406	19216035/0	2	CUSCINETTO	BEARING	COUSSINET	LAGER	
407	22753000/0	2	SPINA	PIN	GOUPILLE	STIFT	
408	22680009/0	1	ROSETTA	WASHER	RONDELLE	SCHEIBE	
409	22110230/0	1	TAPPO	CAP	BOUCHON	GUMMISTOPFEN	
410	12154510/0	1	DADO	NUT	ECROU	MUTTER	
411	22450063/0	1	MOLLA	SPRING	RESSORT	FEDER	
412	22041957/1	1	BUSSOLA	BUSH	DOUILLE	BUCHSE	
413	22033282/1	1	ASTA REGOLAZIONE	ADJUSTMENT ROD	TIGE REGLAGE	VERSTELLUNGSTANGE	
414	81000670/0	1	CAVO COMANDO TRAZIONE	CABLE, REAR DRIVE	CÂBLE, COMMANDE TRACTION	KABEL, ANTRIEB	
415	22601908/0	1	PULEGGIA	PULLEY	POULIE	RIEMENSCHIEBE	
416	12645705/0	1	SPINA	PIN	GOUPILLE	STIFT	
417	35064197/0	1	CINGHIA	BELT	COURROIRE	RIEMEN	(Z LP 885)
418	22570110/1	1	PIGNONE DX	PINION R	PIGNON D	RITZEL RECHTES	
419	81003080/0	1	GRUPPO TRAZIONE	GEAR BOX	GROUPE TRACTION	ANTRIEB	



5

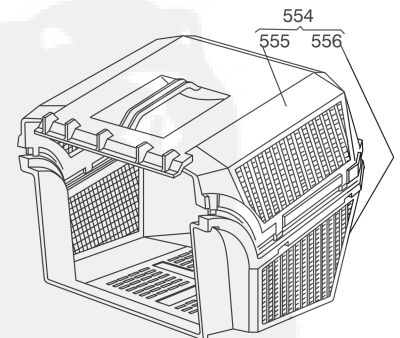
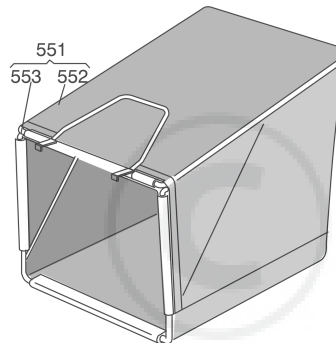
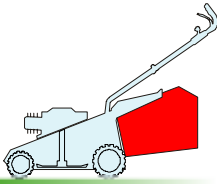
05D_003



Pos.	Code	Q.ty	Descrizione	Description	Description	Beshreibung	Remarks
501	22465607/0	1	MOZZO CON PULEGGIA	HUB WITH PULLEY	MOYEU AVEC POULIE	NABE MIT SCHEIBE	
502	81004381/1	1	COLTELLO STANDARD	BLADE STANDARD	LAME STANDARD	MESSER STANDARD	
503	22160400/0	1	DISCO ELASTICO	ELASTIC WASHER	DISQUE ELASTIQUE	FEDERSCHEIBE	
504	12523080/0	1	ROSETTA	WASHER	RONDELLE	SCHEIBE	
505	12735698/0	1	VITE	SCREW	VIS	SCHRAUBE	
506	12139100/0	1	LINGUETTA	FEATHER	CLAVETTE	KEIL	

6

06D_004



Pos.	Code	Q.ty	Descrizione	Description	Description	Beshreibung	Remarks
551	96400000/0	1	SACCO IN TELA, COMPLETO	GRASSCATCHER, CANVASS COMPLETE	SAC EN TOILE, COMPLETE	SACK, KOMPLETTE	
552	81002124/1	1	SACCO, TELA	BOX, FABRIC	SAC, TOILE	SACK, TUCK	
553	81006430/0	1	TELAIO SACCO	CHASSIS BOX	CHÂSSIS BAC	RAHMEN SACK	
554	96500000/0	1	SACCO, COMPLETO	GRASSCATCHER, COMPLETE	SAC, COMPLETE	SACK, KOMPLETTE	
555	22486065/0	1	SACCO, PARTE SUP	GRASS-BOX, UPPER PART	SAC, PARTIE SUPERIEURE	KORB, OBERTEIL	
556	22486064/0	1	SACCO PARTE INF	GRASS-BOX, LOWER PART	SAC, PARTIE INFERIEURE	KORB, UNTERTEIL	



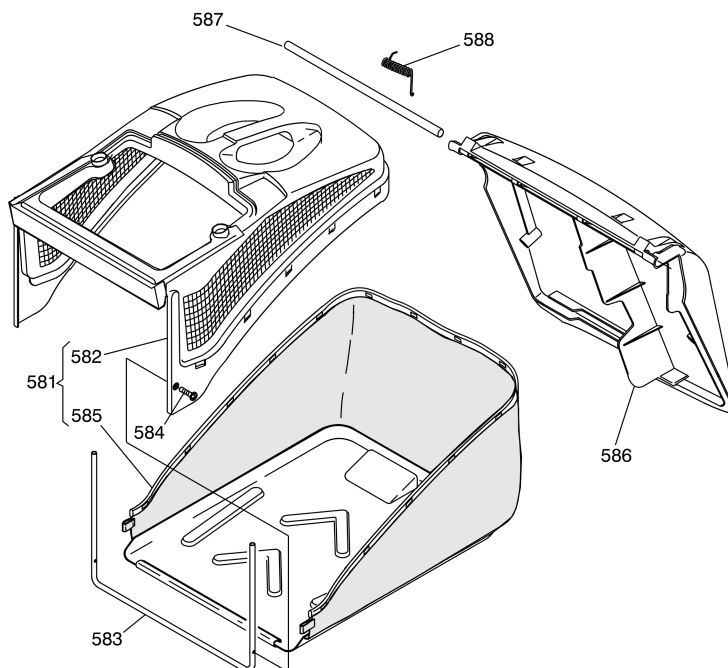
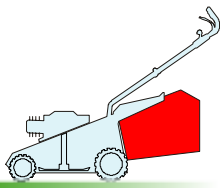
86

GLOBAL GARDEN PRODUCTS

NP 534 TR 3S/TR-E 3S

6

06D_010



Pos.	Code	Q.ty	Descrizione	Description	Description	Beschreibung	Remarks
581	92140000/1	1	SACCO COMPLETO	GRASS-BOX, COMPLETE	BAC COMPLET	KORB, KOMPLETTE	
582	22486094/0	1	SACCO, PARTE SUP	GRASS-BOX, UPPER PART	SAC, PARTIE SUPERIEURE	KORB, OBERTEIL	
583	22608524/0	1	RINFORZO INF	STIFFENING LOWER	RÉNFORCEMENT INF	VERSTÄRKUNG UNTERE	
584	12728445/0	2	VITE	SCREW	VIS	SCHRAUBE	
585	81002196/0	1	SACCO, TELA	BOX, FABRIC	SAC, TOILE	SACK, TUCK	
586	22600066/2	1	PARASASSI	STONE-GUARD	PARE-PIERRES	PRALLBLECH	
587	22517856/0	1	PERNO	PIN	PIVOT	BOLZEN	
588	22451000/0	1	MOLLA	SPRING	RESSORT	FEDER	



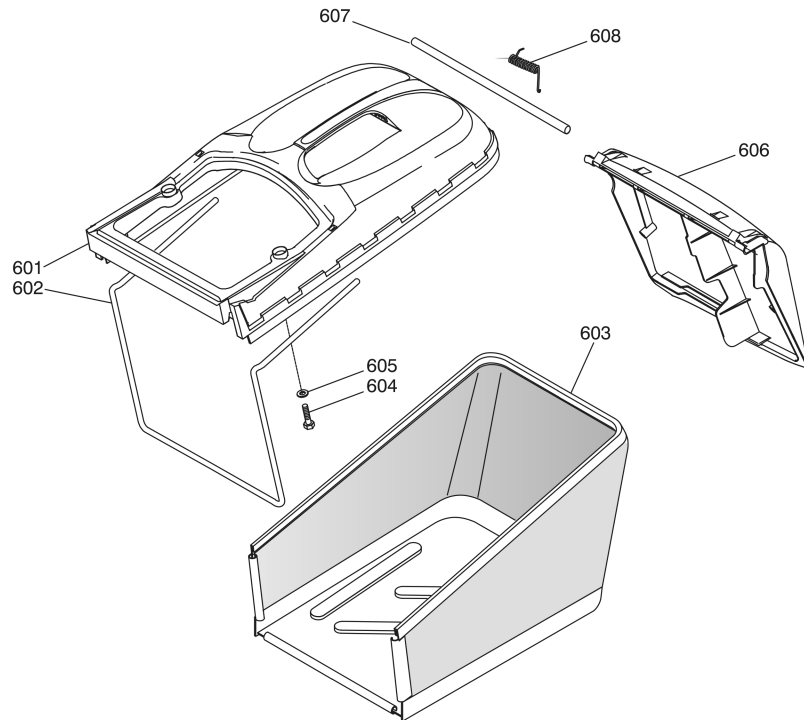
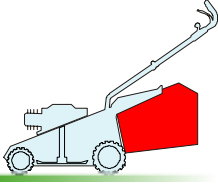
86

GLOBAL GARDEN PRODUCTS

NP 534 TR 3S/TR-E 3S

6

06D_011



Pos.	Code	Q.ty	Descrizione	Description	Description	Beshreibung	Remarks
601	22486102/0	1	SACCO, PARTE SUP	GRASS-BOX, UPPER PART	SAC, PARTIE SUPERIEURE	KORB, OBERTEIL	
602	22608526/0	1	RINFORZO INF	STIFFENING LOWER	RÉNFORCEMENT INF	VERSTÄRKUNG UNTERE	
603	81002212/0	1	SACCO, TELA	BOX, FABRIC	SAC, TOILE	SACK, TUCK	
604	12728680/0	2	VITE	SCREW	VIS	SCHRAUBE	
605	12523050/0	2	ROSETTA	WASHER	RONDELLE	SCHEIBE	
606	22600066/2	1	PARASASSI	STONE-GUARD	PARE-PIERRES	PRALLBLECH	
607	22517857/0	1	PERNO	PIN	PIVOT	BOLZEN	
608	22451000/0	1	MOLLA	SPRING	RESSORT	FEDER	