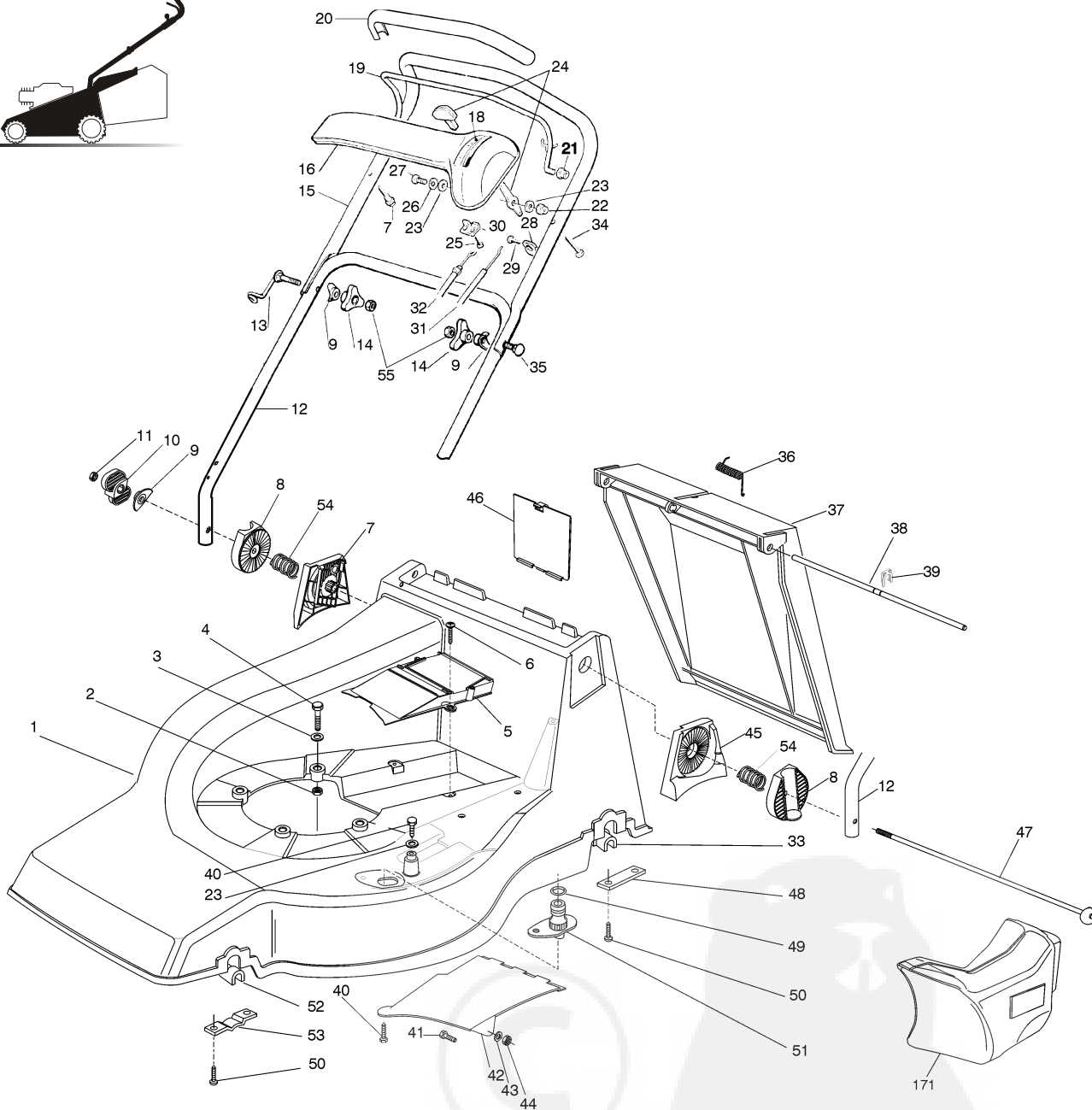


01D\_PAN504



01T.035

| Pos. | Code       | Q.ty | Descrizione         | Description         | Description                  | Beschreibung     | Remarks |
|------|------------|------|---------------------|---------------------|------------------------------|------------------|---------|
| 1    | 81001714/0 | 1    | CHASSIS ROSSO       | DECK RED            | CHÂSSIS ROUGE                | GEHÄUSE ROTES    |         |
| -    | 81001715/0 | 1    | CHASSIS GIALLO      | DECK YELLOW         | CHÂSSIS JAUNE                | GEHÄUSE GELBES   |         |
| -    | 81001716/0 | 1    | CHASSIS VERDE       | DECK GREEN          | CHÂSSIS VERT                 | GEHÄUSE GRÜNES   |         |
| 2    | 12155000/0 | 3    | DADO                | NUT                 | ECROU                        | MUTTER           |         |
| 3    | 12521350/0 | 3    | RONDELLA            | WASHER              | RONDELLE                     | SCHEIBE          |         |
| 4    | 12691800/0 | 3    | VITE                | SCREW               | VIS                          | SCHRAUBE         |         |
| 5    | 22060200/0 | 1    | CARTER CINGHIA      | PROTECTION, BELT    | PROTECTION COURROIRE         | SCHUTZ, RIEMEN   |         |
| 6    | 12728522/0 | 2    | VITE                | SCREW               | VIS                          | SCHRAUBE         |         |
| 7    | 22785077/0 | 1    | SUPPORTO INTERNO DX | SUPPORT, R INTERNAL | SUPPORT INTERNE D            | HALTER, INNERE R |         |
| 8    | 22785076/0 | 2    | SUPPORTO ESTERNO    | SUPPORT, EXTERNAL   | SUPPORT EXTERNE              | HALTER, AUßERE   |         |
| 9    | 22680006/1 | 3    | RONDELLA            | WASHER              | RONDELLE                     | SCHEIBE          |         |
| 10   | 22399803/0 | 1    | MANOPOLINA          | KNOB                | POIGNÉE                      | GRIFF            |         |
| 11   | 12293202/0 | 1    | DADO                | NUT                 | ECROU                        | MUTTER           |         |
| 12   | 81007033/0 | 1    | MANICO, PARTE INF   | HANDLE, LOWER PART  | MANCHERON, PARTIE INFÉRIEURE | HOLM, UNTERTEIL  |         |
| 13   | 81003801/1 | 1    | MOLLA GUIDA         | SPRING              | RESSORT                      | FEDER            |         |
| 14   | 22399900/0 | 2    | MANOPOLINA          | KNOB                | POIGNÉE                      | GRIFF            |         |



## GLOBAL GARDEN PRODUCTS

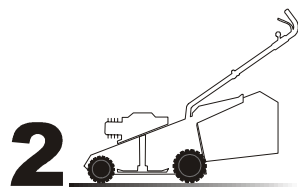
01T.035

| Pos. | Code       | Q.ty | Descrizione                 | Description               | Description                  | Beshreibung             | Remarks             |
|------|------------|------|-----------------------------|---------------------------|------------------------------|-------------------------|---------------------|
| 15   | 81007018/1 | 1    | MANICO, PARTE SUP           | HANDLE, UPPER PART        | MANCHERON, PARTIE SUPERIEURE | HOLM, OBERTEIL          |                     |
| 16   | 22120152/0 | 1    | CRUSCOTTO GIALLO            | DASH BOARD YELLOW         | CONSOLE JAUNE                | KONSOLE GELBE           |                     |
| -    | 22120154/0 | 1    | CRUSCOTTO ROSSO             | DASH BOARD RED            | CONSOLE ROUGE                | KONSOLE ROTE            |                     |
| -    | 22120158/0 | 1    | CRUSCOTTO NERO              | DASH BOARD BLACK          | CONSOLE NOIRE                | KONSOLE SCHWARZE        |                     |
| 17   | 22943006/0 | 1    | VITE                        | SCREW                     | VIS                          | SCHRAUBE                |                     |
| 18   | 14356744/0 | 1    | ETICHETTA                   | LABEL                     | ETIQUETTE                    | ETIKETTE                | (B&S)               |
| -    | 14356743/0 | 1    | ETICHETTA                   | LABEL                     | ETIQUETTE                    | ETIKETTE                | (HONDA)             |
| -    | 14357646/0 | 1    | ETICHETTA                   | LABEL                     | ETIQUETTE                    | ETIKETTE                | (TECUMSEH)          |
| 19   | 81003291/2 | 1    | LEVA FRENO MOTORE           | LEVER, MOTOR BRAKE        | LEVIER FREIN MOTEUR          | HEBEL, MOTORBREMSE      |                     |
| 20   | 22291050/0 | 1    | IMPUGNATURA MANICO NERA     | HANDGRIP BLACK            | POIGNÉE NOIRE                | HANDGRIFF SCHWARZER     |                     |
| -    | 22291051/0 | 1    | IMPUGNATURA MANICO ROSSA    | HANDGRIP RED              | POIGNÉE ROUGE                | HANDGRIFF RÖTER         |                     |
| -    | 22291052/0 | 1    | IMPUGNATURA MANICO GIALLA   | HANDGRIP YELLOW           | POIGNÉE JAUNE                | HANDGRIFF GELBER        |                     |
| 21   | 22041966/0 | 2    | BUSSOLA                     | BUSH                      | DOUILLE                      | BUCHSE                  |                     |
| 22   | 12154510/0 | 1    | DADO                        | NUT                       | ECROU                        | MUTTER                  |                     |
| 23   | 12523040/0 | 2    | RONDELLA                    | WASHER                    | RONDELLE                     | SCHEIBE                 |                     |
| 24   | 81007280/2 | 1    | LEVA, ACCELERATORE          | LEVER, THROTTLE           | LEVIER, ACCELERATEUR         | HEBEL, BESHLEUNIGER     |                     |
| 25   | 12735105/0 | 2    | VITE                        | SCREW                     | VIS                          | SCHRAUBE                |                     |
| 26   | 12530060/0 | 1    | RONDELLA ELASTICA           | ELASTIC WASHER            | RONDELLE ELASTIQUE           | ELASTISCHE SCHEIBE      |                     |
| 27   | 12791500/0 | 1    | VITE                        | SCREW                     | VIS                          | SCHRAUBE                |                     |
| 28   | 22806612/0 | 1    | SUPPORTO                    | SUPPORT                   | SUPPORT                      | HALTER                  |                     |
| 29   | 12728518/0 | 1    | VITE                        | SCREW                     | VIS                          | SCHRAUBE                |                     |
| 30   | 22981467/0 | 1    | PIASTRINA                   | PLATE                     | PLAQUETTE                    | PLATTE                  |                     |
| 31   | 81007160/0 | 1    | CAVO ACCELERATORE           | CABLE, TROTTLE            | CABLE, ACCELERATEUR          | KABLE, BESCHLEUNIGER    |                     |
| 32   | 81000631/0 | 1    | CAVO FRENO MOTORE           | CABLE, THREAD MOTOR BRAKE | CABLE FREIN MOTEUR           | KABEL, MOTORBREMSE      | (B&S QUANTUM)       |
| -    | 81000641/0 | 1    | CAVO FRENO MOTORE           | CABLE, THREAD MOTOR BRAKE | CABLE FREIN MOTEUR           | KABEL, MOTORBREMSE      | (HONDA GCV 135-160) |
| -    | 81000629/1 | 1    | CAVO FRENO MOTORE           | CABLE, THREAD MOTOR BRAKE | CABLE FREIN MOTEUR           | KABEL, MOTORBREMSE      | (TECUMSEH)          |
| 33   | 22038399/0 | 2    | BRONZINA                    | BRASS                     | DOUILLE                      | BUCHSE                  |                     |
| 34   | 12728460/0 | 1    | VITE                        | SCREW                     | VIS                          | SCHRAUBE                |                     |
| 35   | 12819201/0 | 1    | VITE                        | SCREW                     | VIS                          | SCHRAUBE                |                     |
| 36   | 22450270/0 | 1    | MOLLA                       | SPRING                    | RESSORT                      | FEDER                   |                     |
| 37   | 22600023/2 | 1    | PARASASSI                   | STONE-GUARD               | PARE-PIERRES                 | PRALLBLECH              |                     |
| 38   | 22517857/0 | 1    | PERNO                       | PIN                       | PIVOT                        | BOLZEN                  |                     |
| 39   | 12436050/0 | 1    | PIASTRINA                   | PLATE                     | PLAQUETTE                    | PLÄTTCHEN               |                     |
| 40   | 12729600/0 | 1    | VITE                        | SCREW                     | VIS                          | SCHRAUBE                |                     |
| 41   | 12789000/0 | 1    | VITE                        | SCREW                     | VIS                          | SCHRAUBE                |                     |
| 42   | 22108205/0 | 1    | CONVOGLIATORE               | CONVEYOR                  | CONVOYEUR                    | KONVEYOR                |                     |
| 43   | 12523020/0 | 1    | RONDELLA                    | WASHER                    | RONDELLE                     | SCHEIBE                 |                     |
| 44   | 12154330/0 | 1    | DADO                        | NUT                       | ECROU                        | MUTTER                  |                     |
| 45   | 22785078/0 | 1    | SUPPORTO INTERNO SX         | SUPPORT, L INTERNAL       | SUPPORT INTERNE G            | HALTER, INNERE L        |                     |
| 46   | 22595352/0 | 1    | PORTINA CHIUSURA            | INSPECTION DOOR           | VOYANT DE VISITE             | ABDECKPLATTE            |                     |
| 47   | 81001208/1 | 1    | PERNO                       | PIN                       | PIVOT                        | BOLZEN                  |                     |
| 48   | 22545142/0 | 2    | PIASTRINA                   | PLATE                     | PLAQUETTE                    | PLATTE                  |                     |
| 49   | 19035000/0 | 1    | ANELLO OR                   | OR RING                   | BAGUE OR                     | RING OR                 |                     |
| 50   | 12731350/0 | 8    | VITE                        | SCREW                     | VIS                          | SCHRAUBE                |                     |
| 51   | 22034000/0 | 1    | ATTACCO ACQUA LAVAGGIO      | WASHING CONNECTION        | ATTAQUE LAVAGE               | WASCHENVERBINDUNG       |                     |
| 52   | 22038400/1 | 2    | BRONZINA                    | BRASS                     | DOUILLE                      | BUCHSE                  |                     |
| 53   | 22545156/0 | 2    | PIASTRINA                   | PLATE                     | PLAQUETTE                    | PLATTE                  |                     |
| 54   | 22446190/0 | 2    | MOLLA                       | SPRING                    | RESSORT                      | FEDER                   |                     |
| 55   | 12293200/0 | 2    | DADO                        | NUT                       | ECROU                        | MUTTER                  |                     |
| —    | 81008609/0 | 1    | DOTAZIONE VITERIA CRUSCOTTO | OUTFIT, DASH-BOARD SCREWS | DOTATION VISSERIE CONSOLLE   | SATZ, KONSOLE SCHRAUBEN |                     |
| —    | 81008621/1 | 1    | DOTAZIONE VITERIA           | OUTFIT, SCREWS            | DOTATION VISSERIE            | SATZ, SCHRAUBEN         |                     |

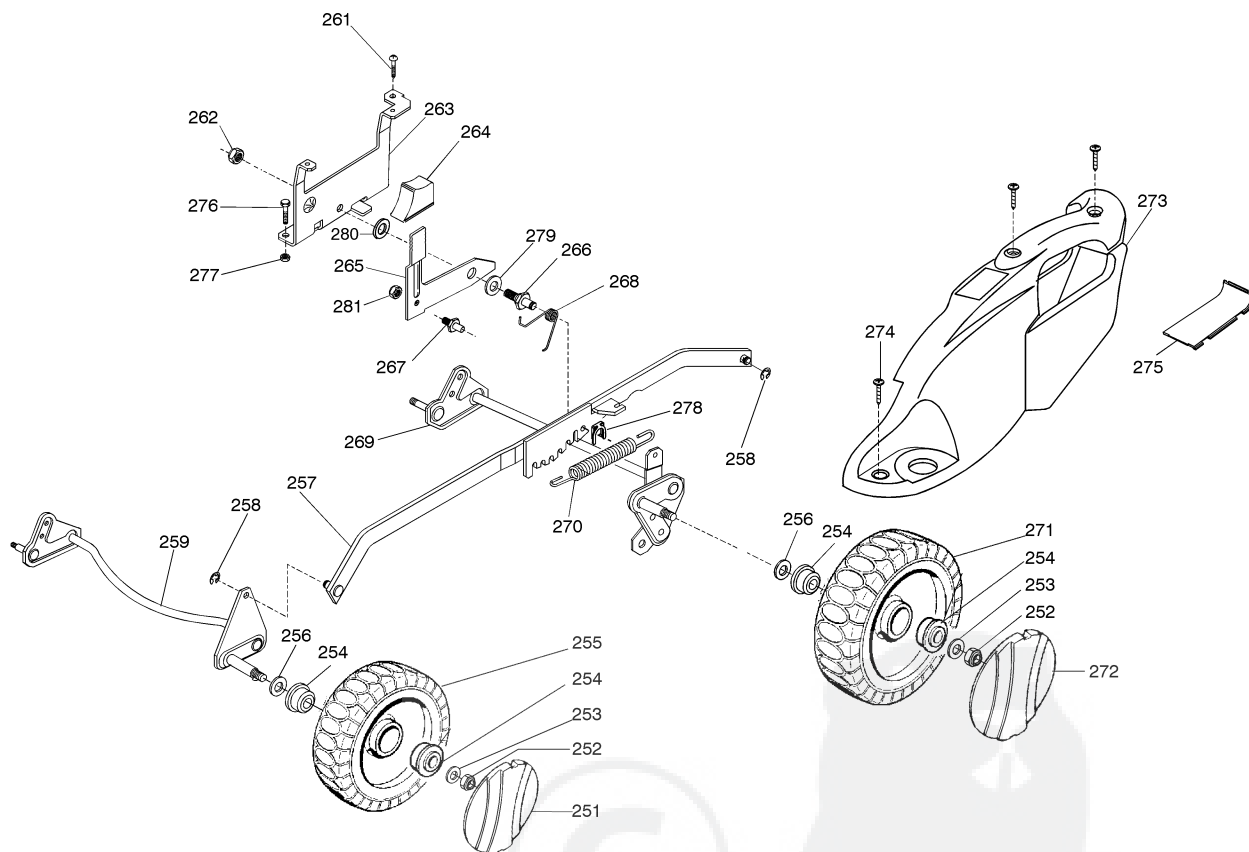
VARIANTE MULCHING - MULCHING MODIFICATION - MODIFICATION MULCHING - ÄNDERUNGEN MULCHING

01T.035

| Pos. | Code       | Q.ty | Descrizione | Description | Description | Beschreibung | Remarks |
|------|------------|------|-------------|-------------|-------------|--------------|---------|
| 171  | 22140224/0 | 1    | TAPPO       | CAP         | BOUCHON     | GUMMISTOPFEN |         |



02D\_016



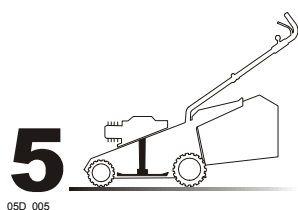
02T.023

| Pos. | Code       | Q.ty | Descrizione                  | Description                    | Description                   | Beschreibung            | Remarks             |
|------|------------|------|------------------------------|--------------------------------|-------------------------------|-------------------------|---------------------|
| 251  | 22110252/1 | 2    | COPRIMOZZO BIANCO            | HUB CAP WHITE                  | COUVRE-MOYEU BLANC            | RADKAPPE WEIßE          |                     |
| -    | 22110254/1 | 2    | COPRIMOZZO GIALLO            | HUB CAP YELLOW                 | COUVRE-MOYEU JAUNE            | RADKAPPE GELBE          |                     |
| -    | 22110255/1 | 2    | COPRIMOZZO ROSSO             | HUB CAP RED                    | COUVRE-MOYEU ROUGE            | RADKAPPE ROTE           |                     |
| 252  | 12155000/0 | 4    | DADO                         | NUT                            | ECROU                         | MUTTER                  |                     |
| 253  | 12521350/0 | 4    | RONDELLA                     | WASHER                         | RONDELLE                      | SCHEIBE                 |                     |
| 254  | 22122200/0 | 8    | CUSCINETTO                   | BEARING                        | COUSSINET                     | LAGER                   |                     |
| 255  | 81007317/0 | 2    | RUOTA Ø 170                  | WHEEL Ø 170                    | ROUE Ø 170                    | RAD. Ø 170              |                     |
| 256  | 12530150/0 | 4    | RONDELLA ELASTICA            | ELASTIC WASHER                 | RONDELLE ELASTIQUE            | ELASTISCHE SCHEIBE      |                     |
| 257  | 81001135/0 | 1    | ASTA COMANDO REGOL. ALTEZZA  | ROD, HEIGHT ADJUSTMENT CONTROL | TIGE COMMANDE REGLAGE HAUTEUR | STANGE, HÖHEVERSTELLUNG |                     |
| -    | 81001137/0 | 1    | ASTA COMANDO REGOL. ALTEZZA  | ROD, HEIGHT ADJUSTMENT CONTROL | TIGE COMMANDE REGLAGE HAUTEUR | STANGE, HÖHEVERSTELLUNG | (HONDA GCV 135/160) |
| 258  | 12000930/0 | 2    | ANELLO ELASTICO              | SNAP RING                      | ANNEAU RESSORT                | SPRENGRING              |                     |
| 259  | 81002801/1 | 1    | ASSE RUOTE ANTERIORE         | AXLE, FRONT WHEELS             | AXE ROUES AVANT               | ACHSE, VORDERRAD        |                     |
| 261  | 12729600/0 | 1    | VITE                         | SCREW                          | VIS                           | SCHRAUBE                |                     |
| 262  | 12155000/0 | 1    | DADO                         | NUT                            | ECROU                         | MUTTER                  |                     |
| 263  | 22785115/0 | 1    | SUPPORTO REGOLAZIONE ALTEZZA | SUPPORT, HEIGHT ADJUSTMENT     | SUPPORT REGLAGE HAUTEUR       | HALTER, HÖHEVERSTELLUNG |                     |

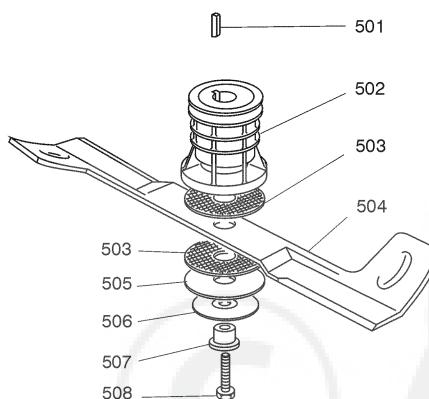


02T.023

| Pos. | Code       | Q.ty | Descrizione              | Description               | Description               | Beshreibung            | Remarks |
|------|------------|------|--------------------------|---------------------------|---------------------------|------------------------|---------|
| 264  | 22602000/0 | 1    | PULSANTE COMANDO LEVA    | PUSHBUTTON, LEVER CONTROL | BOUTON DE COMMANDE LEVIER | STEUERHEBELDRUCKKNO PF |         |
| 265  | 22322829/1 | 1    | LEVA REGOLAZIONE ALTEZZA | LEVER, HEIGHT ADJUSTMENT  | LEVIER REGLAGE HAUTEUR    | HEBEL, HÖNEVERSTELLUNG |         |
| 266  | 22517880/1 | 1    | PERNO                    | PIN                       | PIVOT                     | BOLZEN                 |         |
| 267  | 22519746/0 | 1    | PERNO                    | PIN                       | PIVOT                     | BOLZEN                 |         |
| 268  | 22446176/0 | 1    | MOLLA                    | SPRING                    | RESSORT                   | FEDER                  |         |
| 269  | 81002804/1 | 1    | ASSE RUOTE POSTERIORE    | AXLE, REAR WHEELS         | AXE ROUES ARRIERE         | ACHSE, HINTERRAD       |         |
| 270  | 22446180/0 | 1    | MOLLA                    | SPRING                    | RESSORT                   | FEDER                  |         |
| 271  | 81007318/1 | 2    | RUOTA Ø 210              | WHEEL Ø 210               | ROUE Ø 210                | RAD. Ø 210             |         |
| 272  | 22110251/0 | 2    | COPRIMOZZO BIANCO        | HUB CAP WHITE             | COUVRE-MOYEU BLANC        | RADKAPPE WEIßE         |         |
| -    | 22110253/0 | 2    | COPRIMOZZO GIALLO        | HUB CAP YELLOW            | COUVRE-MOYEU JAUNE        | RADKAPPE GELBE         |         |
| -    | 22110256/0 | 2    | COPRIMOZZO ROSSO         | HUB CAP RED               | COUVRE-MOYEU ROUGE        | RADKAPPE ROTE          |         |
| 273  | 22060146/0 | 1    | CARTER REGOLAZIONE       | DECK, ADJUSTMENT          | CHÂSSIS REGLAGE           | GEHÄUSE VERSTELLUNG    |         |
| 274  | 12728520/0 | 3    | VITE                     | SCREW                     | VIS                       | SCHRAUBE               |         |
| 275  | 22546070/0 | 1    | PIASTRINA                | PLATE                     | PLAQUETTE                 | PLATTE                 |         |
| 276  | 12793101/0 | 2    | VITE                     | SCREW                     | VIS                       | SCHRAUBE               |         |
| 277  | 12293201/0 | 2    | DADO                     | NUT                       | ECROU                     | MUTTER                 |         |
| 278  | 12436050/0 | 1    | PIASTRINA                | PLATE                     | PLAQUETTE                 | PLÄTTCHEN              |         |
| 279  | 22672152/0 | 1    | RONDELLA                 | WASHER                    | RONDELLE                  | SCHEIBE                |         |
| 280  | 22672151/0 | 1    | RONDELLA                 | WASHER                    | RONDELLE                  | SCHEIBE                |         |
| 281  | 12154510/0 | 1    | DADO                     | NUT                       | ECROU                     | MUTTER                 |         |

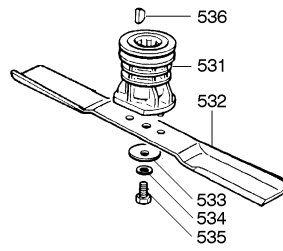
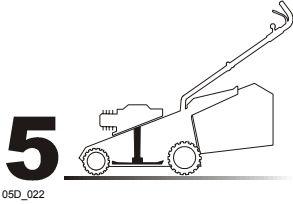


05D\_005



05T.016

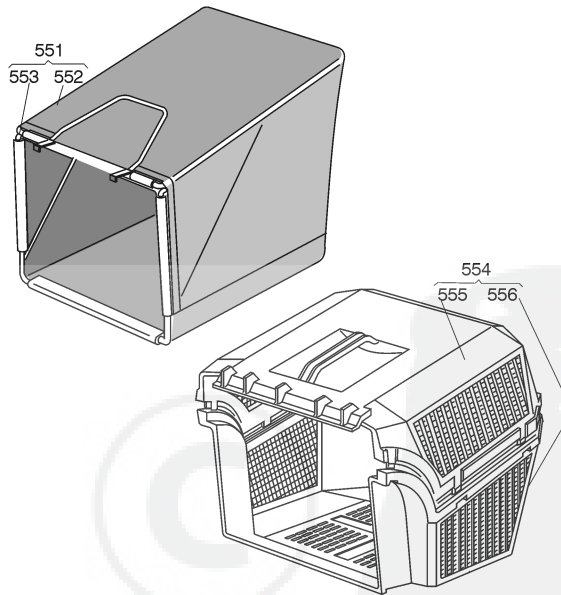
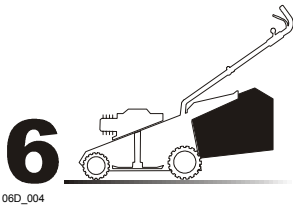
| Pos. | Code       | Q.ty | Descrizione       | Description   | Description       | Beshreibung      | Remarks |
|------|------------|------|-------------------|---------------|-------------------|------------------|---------|
| 501  | 12139100/0 | 1    | LINGUETTA         | FEATHER       | CLAVETTE          | KEIL             |         |
| 502  | 22465611/0 | 1    | MOZZO             | HUB           | MOYEU             | HALTER           |         |
| 503  | 22672110/1 | 2    | RONDELLA FRIZIONE | CLUTCH WASHER | RONDELLE FRICTION | KUPPLUNGSCHEIBE  |         |
| 504  | 81004395/1 | 1    | COLTELLO ALETTATO | BLADE WINGED  | LAME AILETTÉE     | MESSER FLÜGEL    |         |
| 505  | 12508120/0 | 1    | MOLLA A TAZZA     | CUPPED SPRING | RESSORT           | TELLER FEDER     |         |
| 506  | 22672105/0 | 1    | RONDELLA          | WASHER        | RONDELLE          | SCHEIBE          |         |
| 507  | 22041940/0 | 1    | BUSSOLA FRIZIONE  | CLUTCH BUSH   | DOUILLE FRICTION  | KUPPLUNGSSCHEIBE |         |
| 508  | 12736850/0 | 1    | VITE              | SCREW         | VIS               | SCHRAUBE         |         |



VARIANTE MULCHING - MULCHING MODIFICATION - MODIFICATION MULCHING - ÄNDERUNGEN MULCHING

05T\_022

| Pos. | Code       | Q.ty | Descrizione       | Description    | Description        | Beshreibung        | Remarks |
|------|------------|------|-------------------|----------------|--------------------|--------------------|---------|
| 531  | 22463012/1 | 1    | MOZZO             | HUB            | MOYEU              | HALTER             |         |
| 532  | 81004366/2 | 1    | COLTELLO STANDARD | BLADE STANDARD | LAME STANDARD      | MESSER STANDARD    |         |
| 533  | 22160400/0 | 1    | DISCO ELASTICO    | ELASTIC WASHER | RONDELLE ELASTIQUE | ELASTISCHE SCHEIBE |         |
| 534  | 12523080/0 | 1    | RONDELLA          | WASHER         | RONDELLE           | SCHEIBE            |         |
| 535  | 12735698/0 | 1    | VITE              | SCREW          | VIS                | SCHRAUBE           |         |
| 536  | 12139100/0 | 1    | LINGUETTA         | FEATHER        | CLAVETTE           | KEIL               |         |



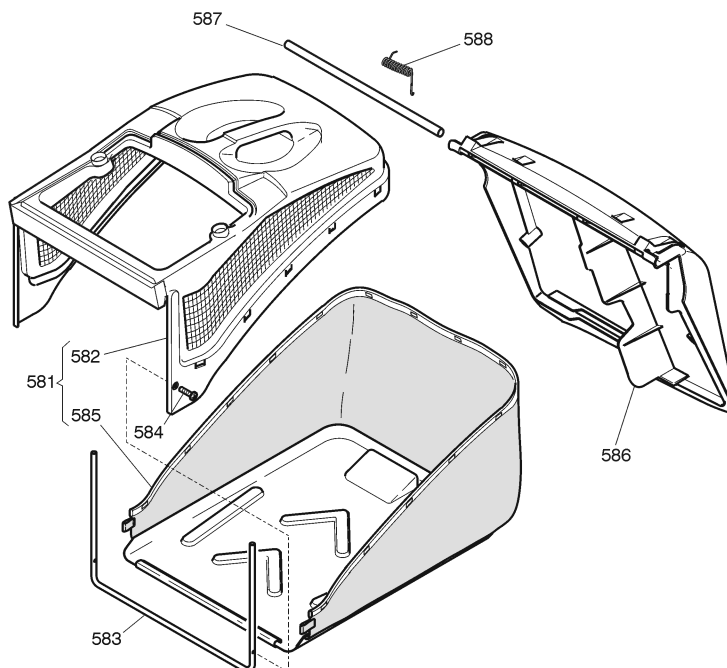
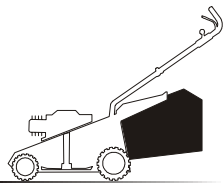
06T\_005

| Pos. | Code       | Q.ty | Descrizione             | Description                    | Description            | Beshreibung     | Remarks |
|------|------------|------|-------------------------|--------------------------------|------------------------|-----------------|---------|
| 551  | 96400000/0 | 1    | SACCO IN TELA, COMPLETO | GRASSCATCHER, CANVASS COMPLETE | SAC EN TOILE, COMPLETE | SACK, KOMPLETTE |         |
| 552  | 81002124/1 | 1    | SACCO, TELA             | BOX, FABRIC                    | SAC, TOILE             | SACK, TUCK      |         |
| 553  | 81006430/0 | 1    | TELAIO SACCO            | CHASSIS BOX                    | CHÂSSIS BAC            | RAHMEN SACK     |         |
| 554  | 96500000/0 | 1    | SACCO, COMPLETO         | GRASSCATCHER, COMPLETE         | SAC, COMPLETE          | SACK, KOMPLETTE |         |
| 555  | 22486065/0 | 1    | SACCO, PARTE SUP        | GRASS-BOX, UPPER PART          | SAC, PARTIE SUPERIEURE | KORB, OBERTEIL  |         |
| 556  | 22486064/0 | 1    | SACCO, PARTE INF        | GRASS-BOX, LOWER PART          | SAC, PARTIE INFERIEURE | KORB, UNTERTEIL |         |



6

06D\_010

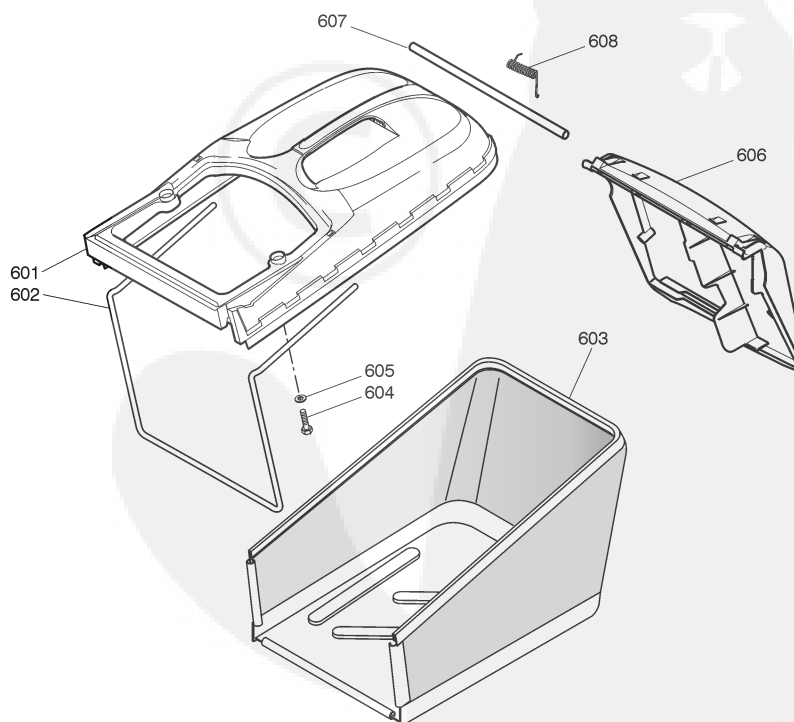
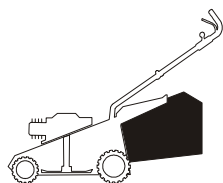


06T.004

| Pos. | Code       | Q.ty | Descrizione      | Description           | Description            | Beschreibung       | Remarks |
|------|------------|------|------------------|-----------------------|------------------------|--------------------|---------|
| 581  | 92140000/1 | 1    | SACCO COMPLETO   | GRASS-BOX, COMPLETE   | BAC COMPLET            | KORB, KOMPLETTE    |         |
| 582  | 22486094/0 | 1    | SACCO, PARTE SUP | GRASS-BOX, UPPER PART | SAC, PARTIE SUPERIEURE | KORB, OBERTEIL     |         |
| 583  | 22608524/0 | 1    | RINFORZO INF     | STIFFENING LOWER      | RÉNFORCEMENT INF       | VERSTÄRKUNG UNTERE |         |
| 584  | 12728445/0 | 2    | VITE             | SCREW                 | VIS                    | SCHRAUBE           |         |
| 585  | 81002196/0 | 1    | SACCO, TELA      | BOX, FABRIC           | SAC, TOILE             | SACK, TUCK         |         |
| 586  | 22600066/2 | 1    | PARASASSI        | STONE-GUARD           | PARE-PIERRES           | PRALLBLECH         |         |
| 587  | 22517857/0 | 1    | PERNO            | PIN                   | PIVOT                  | BOLZEN             |         |
| 588  | 22451000/0 | 1    | MOLLA            | SPRING                | RESSORT                | FEDER              |         |

6

06D\_011



06T.011

| Pos. | Code       | Q.ty | Descrizione      | Description           | Description            | Beschreibung   | Remarks |
|------|------------|------|------------------|-----------------------|------------------------|----------------|---------|
| 601  | 22486102/0 | 1    | SACCO, PARTE SUP | GRASS-BOX, UPPER PART | SAC, PARTIE SUPERIEURE | KORB, OBERTEIL |         |



## GLOBAL GARDEN PRODUCTS

06T.011

| Pos. | Code       | Q.ty | Descrizione  | Description      | Description      | Beshreibung        | Remarks |
|------|------------|------|--------------|------------------|------------------|--------------------|---------|
| 602  | 22608526/0 | 1    | RINFORZO INF | STIFFENING LOWER | RÉNFORCEMENT INF | VERSTÄRKUNG UNTERE |         |
| 603  | 81002212/0 | 1    | SACCO, TELA  | BOX, FABRIC      | SAC, TOILE       | SACK, TUCK         |         |
| 604  | 12728680/0 | 2    | VITE         | SCREW            | VIS              | SCHRAUBE           |         |
| 605  | 12523050/0 | 2    | RONDELLA     | WASHER           | RONDELLE         | SCHEIBE            |         |
| 606  | 22600066/2 | 1    | PARASASSI    | STONE-GUARD      | PARE-PIERRES     | PRALLBLECH         |         |
| 607  | 22517857/0 | 1    | PERNO        | PIN              | PIVOT            | BOLZEN             |         |
| 608  | 22451000/0 | 1    | MOLLA        | SPRING           | RESSORT          | FEDER              |         |

