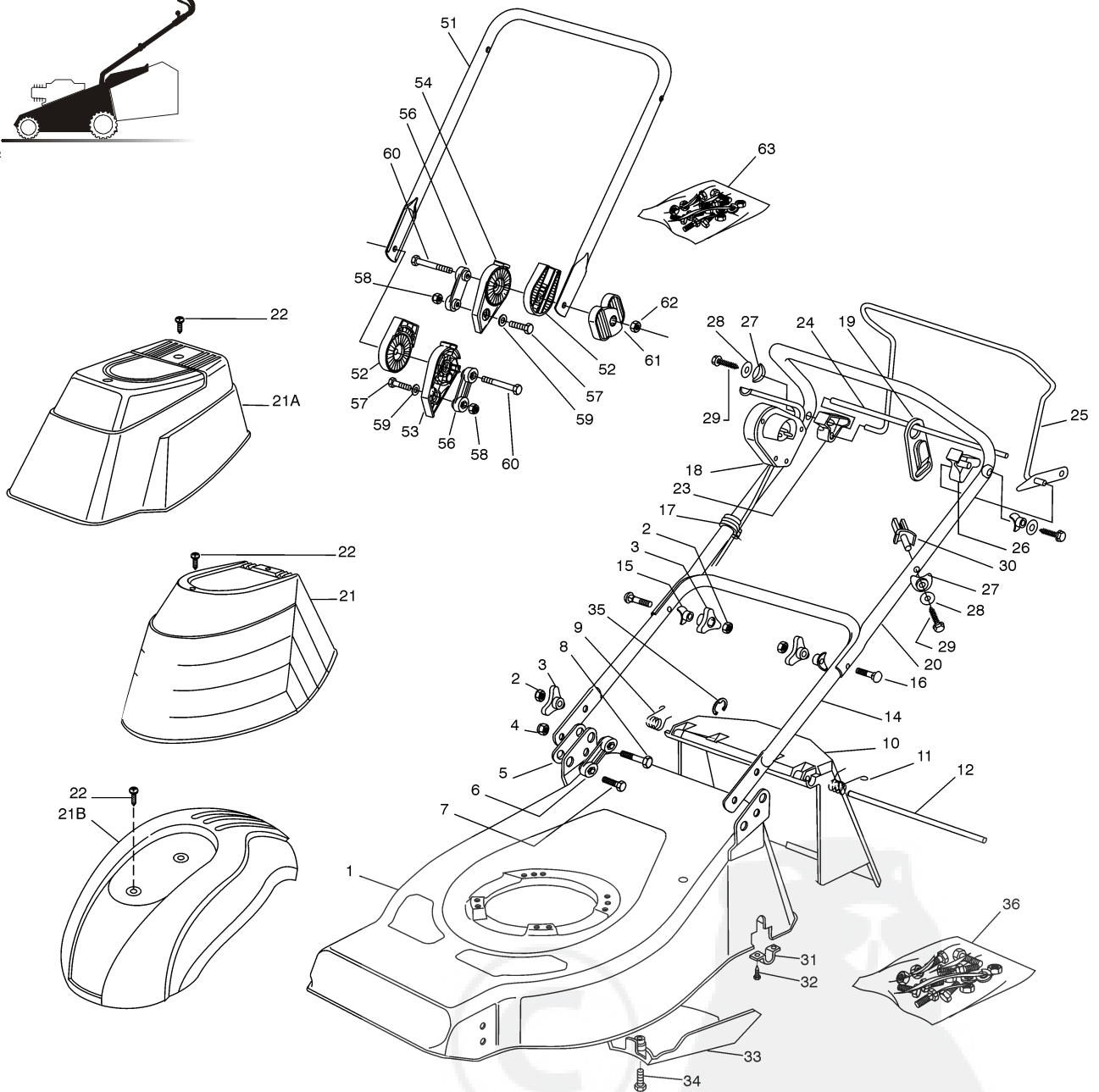


01D\_R430TR



| Pos. | Code       | Q.ty | Descrizione       | Description        | Description                  | Beschreibung    | Remarks |
|------|------------|------|-------------------|--------------------|------------------------------|-----------------|---------|
| 1    | 81001628/0 | 1    | CHASSIS GIALLO    | DECK YELLOW        | CHÂSSIS JAUNE                | GEHÄUSE GELB    |         |
| -    | 81001627/0 | 1    | CHASSIS ROSSO     | DECK RED           | CHÂSSIS ROUGE                | GEHÄUSE ROT     |         |
| -    | 81001629/0 | 1    | CHASSIS VERDE     | DECK GREEN         | CHÂSSIS VERT                 | GEHÄUSE GRÜN    |         |
| 2    | 12293200/0 | 4    | DADO              | NUT                | ECROU                        | MUTTER          |         |
| 3    | 22399900/0 | 4    | MANOPOLINA        | KNOB               | POIGNÉE                      | GRIF            |         |
| 4    | 12155000/0 | 2    | DADO              | NUT                | ECROU                        | MUTTER          |         |
| 5    | 22551574/0 | 2    | PIASTRINA ESTERNA | PLATE, OUTSIDE     | PLAQUETTE EXTERNE            | PLATTE, ÄUßERE  |         |
| 6    | 22551575/0 | 2    | PIASTRINA INTERNA | PLATE, INSIDE      | PLAQUETTE INTERNE            | PLATTE, INNERE  |         |
| 7    | 12793300/0 | 2    | VITE              | SCREW              | VIS                          | SCHRAUBE        |         |
| 8    | 12691115/0 | 2    | VITE              | SCREW              | VIS                          | SCHRAUBE        |         |
| 9    | 22450410/1 | 1    | MOLLA DX          | R SPRING           | RESSORT D                    | RECHTE FEDER    |         |
| 10   | 22600028/4 | 1    | PARASASSI         | STONE-GUARD        | PARE-PIERRES                 | PRALLBLECH      |         |
| 11   | 22450420/1 | 1    | MOLLA SX          | L SPRING           | RESSORT G                    | LINKE FEDER     |         |
| 12   | 22517906/1 | 1    | PERNO             | PIN                | PIVOT                        | BOLZEN          |         |
| 14   | 81006512/0 | 1    | MANICO, PARTE INF | HANDLE, LOWER PART | MANCHERON, PARTIE INFÉRIEURE | HOLM, UNTERTEIL |         |
| 15   | 22680006/1 | 2    | ROSETTA           | WASHER             | RONDELLE                     | SCHEIBE         |         |

## GLOBAL GARDEN PRODUCTS

| Pos. | Code       | Q.ty | Descrizione         | Description        | Description                  | Beshreibung      | Remarks           |
|------|------------|------|---------------------|--------------------|------------------------------|------------------|-------------------|
| 16   | 12819201/0 | 2    | VITE                | SCREW              | VIS                          | SCHRAUBE         |                   |
| 17   | 22192000/1 | 3    | FASCETTA ANCORAGGIO | ANCHOR CLAMP       | COLLIER ANCRAGE              | BOWDENZUGHALTER  |                   |
| 18   | -          | 1    | SALVAMOTORE         | DEAD HAND SWITCH   | INT. MAIN MORTE              | TOT MANSCHALTER  | (SEE ENCLOSURE 2) |
| 19   | 22195101/3 | 1    | FERMACAVO           | FAIRLEAD           | FIXATION CABLE               | KABELBEFESTIGUNG |                   |
| 20   | 81006603/0 | 1    | MANICO, PARTE SUP   | HANDLE, UPPER PART | MANCHERON, PARTIE SUPERIEURE | HOLM, OBERTEIL   |                   |
| 21   | 22055033/1 | 1    | CAPOTTINA           | COVER              | CAPOT                        | HAUBE            |                   |
| 21A  | 22055045/1 | 1    | CAPOTTINA           | COVER              | CAPOT                        | HAUBE            |                   |
| 21B  | 22055065/0 | 1    | CAPOTTINA           | COVER              | CAPOT                        | HAUBE            |                   |
| 22   | 12728680/0 | 2    | VITE                | SCREW              | VIS                          | SCHRAUBE         |                   |
| 23   | 22806518/1 | 1    | SUPPORTO DX         | SUPPORT, R         | SUPPORT D                    | HALTER, RECHTER  |                   |
| 24   | 22020320/0 | 1    | AGGANCIO FERMACAVO  | FAIRLEAD BEARING   | SUPPORT SERRECABLE           | KABELHALTER      |                   |
| 25   | 81001245/1 | 1    | LEVA TRAZIONE       | DRIVING LEVER      | LEVIER TRACTION              | ANTRIEBHEBEL     |                   |
| 26   | 22806519/1 | 1    | SUPPORTO SX         | SUPPORT, L         | SUPPORT G                    | HALTER, LINKER   |                   |
| 27   | 22680006/1 | 3    | ROSETTA             | WASHER             | RONDELLE                     | SCHEIBE          |                   |
| 28   | 12523040/0 | 3    | ROSETTA             | WASHER             | RONDELLE                     | SCHEIBE          |                   |
| 29   | 12735103/0 | 3    | VITE                | SCREW              | VIS                          | SCHRAUBE         |                   |
| 30   | 22806520/0 | 1    | SUPPORTO REGISTRO   | SUPPORT, ADJUSTER  | SUPPORT ECROU REG.           | HALTER, REGLER   |                   |
| 31   | 22545152/0 | 2    | PIASTRINA           | PLATE              | PLAQUETTE                    | PLÄTTCHEN        |                   |
| 32   | 12731350/0 | 4    | VITE                | SCREW              | VIS                          | SCHRAUBE         |                   |
| 33   | 22060170/1 | 1    | CARTER CINGHIA      | PROTECTION, BELT   | PROTECTION COURROIRE         | SCHUTZ, RIEMEN   |                   |
| 34   | 12727791/0 | 1    | VITE                | SCREW              | VIS                          | SCHRAUBE         |                   |
| 35   | 12000930/0 | 1    | ANELLO ELASTICO     | SNAP RING          | ANNEAU RESSORT               | SPRENGRING       |                   |
| 36   | 81008596/1 | 1    | DOTAZIONE VITERIA   | OUTFIT, SCREWS     | DOTATION VISSERIE            | SATZ, SCHRAUBEN  |                   |

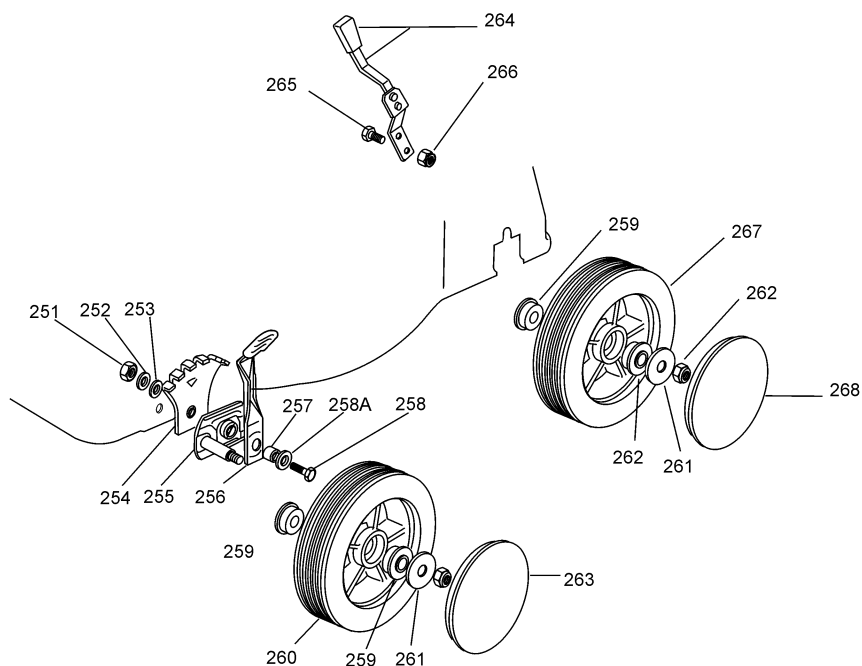
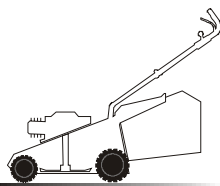
## VARIANTE REGOLAZIONE MANICO - HANDLE ADJUSTMENT MODIFICATION - MODIFICATION REGLAGE POIGNEE - ÄNDERUNG GRIFFENSTEEL

| Pos. | Code       | Q.ty | Descrizione         | Description         | Description                  | Beshreibung      | Remarks |
|------|------------|------|---------------------|---------------------|------------------------------|------------------|---------|
| 51   | 81006532/0 | 1    | MANICO, PARTE INF   | HANDLE, LOWER PART  | MANCHERON, PARTIE INFERIEURE | HOLM, UNTERTEIL  |         |
| 52   | 22785081/1 | 2    | SUPPORTO ESTERNO    | SUPPORT, EXTERNAL   | SUPPORT EXTERNE              | HALTER, AUßERE   |         |
| 53   | 22785082/0 | 1    | SUPPORTO INTERNO DX | SUPPORT, R INTERNAL | SUPPORT INTERNE D            | HALTER, INNERE R |         |
| 54   | 22785083/1 | 1    | SUPPORTO INTERNO SX | SUPPORT, L INTERNAL | SUPPORT INTERNE G            | HALTER, INNERE L |         |
| 56   | 22551575/0 | 2    | PIASTRINA INTERNA   | PLATE, INSIDE       | PLAQUETTE INTERNE            | PLATTE, INNERE   |         |
| 57   | 12793701/0 | 2    | VITE                | SCREW               | VIS                          | SCHRAUBE         |         |
| 58   | 12155000/0 | 2    | DADO                | NUT                 | ECROU                        | MUTTER           |         |
| 59   | 12521350/0 | 2    | ROSETTA             | WASHER              | RONDELLE                     | SCHEIBE          |         |
| 60   | 12691810/0 | 2    | VITE                | SCREW               | VIS                          | SCHRAUBE         |         |
| 61   | 22399803/0 | 2    | MANOPOLINA          | KNOB                | POIGNÉE                      | GRIFF            |         |
| 62   | 12293202/0 | 2    | DADO                | NUT                 | ECROU                        | MUTTER           |         |
| 63   | 81008622/0 | 1    | DOTAZIONE VITERIA   | OUTFIT, SCREWS      | DOTATION VISSERIE            | SATZ, SCHRAUBEN  |         |



2

02D\_005

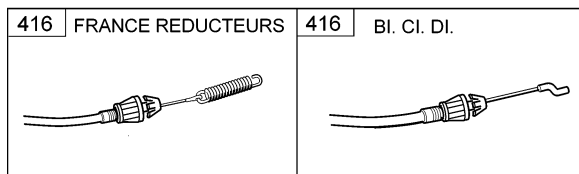
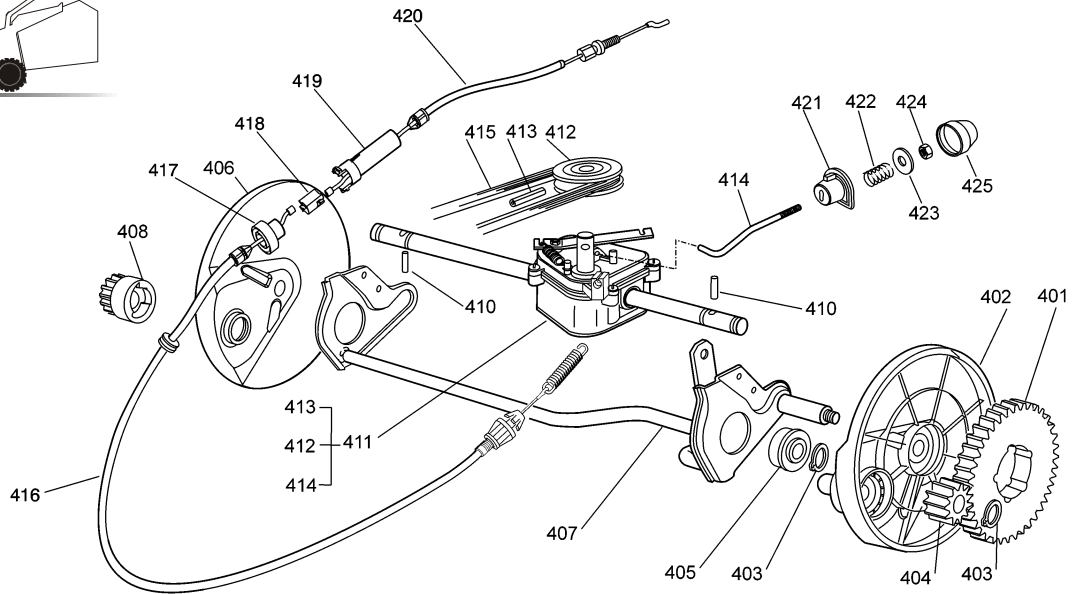
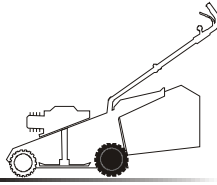


| Pos. | Code       | Q.ty | Descrizione                 | Description               | Description             | Beshreibung             | Remarks |
|------|------------|------|-----------------------------|---------------------------|-------------------------|-------------------------|---------|
| 251  | 12293200/0 | 2    | DADO                        | NUT                       | ECROU                   | MUTTER                  |         |
| 252  | 12583500/0 | 2    | GROWER                      | GROWER                    | GROWER                  | FEDERRING               |         |
| 253  | 12523070/0 | 2    | ROSETTA                     | WASHER                    | RONDELLE                | SCHEIBE                 |         |
| 254  | 22735547/0 | 2    | SETTORE REGOLAZIONE ALTEZZA | SECTOR, HEIGHT ADJUSTMENT | SECTEUR REGLAGE HAUTEUR | SEKTOR, HÖHEVERSTELLUNG |         |
| 255  | 81005082/0 | 2    | SUPPORTO RUOTA              | SUPPORT, WHEEL            | SUPPORT ROUE            | HALTER, RAD             |         |
| 256  | 81003285/1 | 2    | LEVA REGOLAZIONE ALTEZZA    | LEVER, HEIGHT ADJUSTMENT  | LEVIER REGLAGE HAUTEUR  | HEBEL, HÖNEVERSTELLUNG  |         |
| 257  | 22171001/0 | 2    | DISTANZIALE                 | SPACER                    | ENTRETOISE              | DISTANZRING             |         |
| 258  | 12793701/0 | 2    | VITE                        | SCREW                     | VIS                     | SCHRAUBE                |         |
| 258A | 12521350/0 | 2    | ROSETTA                     | WASHER                    | RONDELLE                | SCHEIBE                 |         |
| 259  | 22034508/0 | 8    | BUSSOLA                     | BUSH                      | DOUILLE                 | BUCHSE                  |         |
| 260  | 81007326/0 | 4    | RUOTA Ø 170                 | WHEEL Ø 170               | ROUE Ø 170              | RAD. Ø 170              |         |
| 261  | 12523060/0 | 4    | ROSETTA                     | WASHER                    | RONDELLE                | SCHEIBE                 |         |
| 262  | 12155000/0 | 4    | DADO                        | NUT                       | ECROU                   | MUTTER                  |         |
| 263  | 22110262/0 | 2    | COPRIMOZZO BIANCO           | HUB CAP WHITE             | COUVRE-MOYEU BLANC      | RADKAPPE WEIßE          |         |
| -    | 22110263/0 | 2    | COPRIMOZZO GIALLO           | HUB CAP YELLOW            | COUVRE-MOYEU JAUNE      | RADKAPPE GELBE          |         |
| -    | 22110264/0 | 2    | COPRIMOZZO ROSSO            | HUB CAP RED               | COUVRE-MOYEU ROUGE      | RADKAPPE ROTE           |         |
| 264  | 81003279/2 | 1    | LEVA REGOLAZIONE ALTEZZA    | LEVER, HEIGHT ADJUSTMENT  | LEVIER REGLAGE HAUTEUR  | HEBEL, HÖNEVERSTELLUNG  |         |
| 265  | 12789000/0 | 2    | VITE                        | SCREW                     | VIS                     | SCHRAUBE                |         |
| 266  | 12154330/0 | 2    | DADO                        | NUT                       | ECROU                   | MUTTER                  |         |
| 267  | 81007328/0 | 2    | RUOTA Ø 210                 | WHEEL Ø 210               | ROUE Ø 210              | RAD. Ø 210              |         |
| 268  | 22110265/0 | 2    | COPRIMOZZO BIANCO           | HUB CAP WHITE             | COUVRE-MOYEU BLANC      | RADKAPPE WEIßE          |         |
| -    | 22110266/0 | 2    | COPRIMOZZO GIALLO           | HUB CAP YELLOW            | COUVRE-MOYEU JAUNE      | RADKAPPE GELBE          |         |
| -    | 22110267/0 | 2    | COPRIMOZZO ROSSO            | HUB CAP RED               | COUVRE-MOYEU ROUGE      | RADKAPPE ROTE           |         |



3

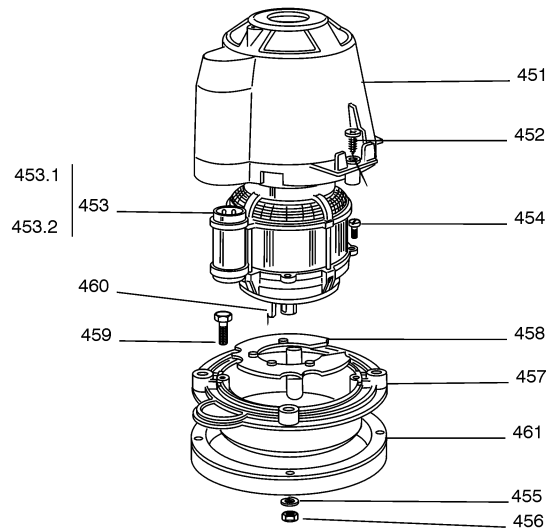
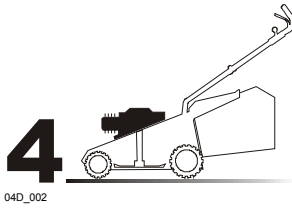
03D\_002



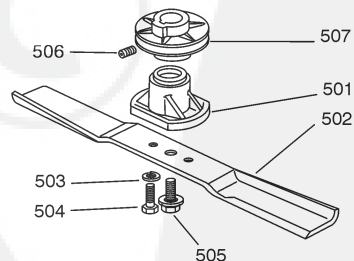
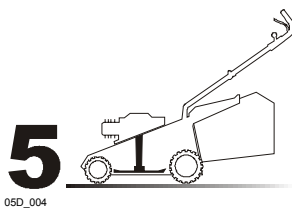
| Pos. | Code       | Q.ty | Descrizione               | Description             | Description                          | Beshreibung           | Remarks             |
|------|------------|------|---------------------------|-------------------------|--------------------------------------|-----------------------|---------------------|
| 401  | 22120105/1 | 2    | CORONA                    | RING GEAR               | COURONNE                             | KRANZ                 |                     |
| 402  | 22600093/0 | 1    | PROT. RUOTE SX            | PROTECTION, L WHEEL     | PROTECTION ROUE G                    | SCHÜTZ, LINKES RÄDER  |                     |
| 403  | 12608600/0 | 4    | SEEGER                    | SEEGER                  | SEEGER                               | SEEGER                |                     |
| 404  | 22570120/1 | 1    | PIGNONE SX                | PINION L                | PIGNON G                             | RITZEL LINKES         |                     |
| 405  | 19216035/0 | 2    | CUSCINETTO                | BEARING                 | COUSSINET                            | LAGER                 |                     |
| 406  | 22600092/0 | 1    | PROT. RUOTE DX            | PROTECTION, R WHEEL     | PROTECTION ROUE D                    | SCHÜTZ, RECHTES RÄDER |                     |
| 407  | 81000147/0 | 1    | ASSE RUOTE POSTERIORE     | AXLE, REAR WHEELS       | AXE ROUES ARRIERE                    | ACHSE, HINTERRAD      |                     |
| 408  | 22570110/1 | 1    | PIGNONE DX                | PINION R                | PIGNON D                             | RITZEL RECHTES        |                     |
| 410  | 22753000/0 | 2    | SPINA                     | PIN                     | GOUPILLE                             | STIFT                 |                     |
| 411  | 81003081/1 | 1    | GRUPPO TRAZIONE (GRIGIO)  | GEAR BOX (GREY)         | GROUPE TRACTION (GRIS)               | ANTRIEB (GRAU)        | (BI.CI.DI.)         |
| -    | 81003076/0 | 1    | GRUPPO TRAZIONE           | GEAR BOX                | GROUPE TRACTION                      | ANTRIEB               | (FRANCE REDUCTEURS) |
| 412  | 22601904/0 | 1    | PULEGGIA                  | PULLEY                  | POULIE                               | RIEMENSCHLEIBE        |                     |
| 413  | 12645705/0 | 1    | SPINA                     | PIN                     | GOUPILLE                             | STIFT                 |                     |
| 414  | 22033280/0 | 1    | ASTA REGOLAZIONE          | ADJUSTMENT ROD          | TIGE REGLAGE                         | VERSTELLUNGSTANGE     | (BI. CI. DI.)       |
| -    | 22033283/0 | 1    | ASTA REGOLAZIONE          | ADJUSTMENT ROD          | TIGE REGLAGE                         | VERSTELLUNGSTANGE     | (FRANCE REDUCTEURS) |
| 415  | 35063710/0 | 1    | CINGHIA Z 25              | BELT Z 25               | COURROIE Z 25                        | RIEMEN Z 25           |                     |
| 416  | 81000676/0 | 1    | CAVO COMANDO TRAZIONE INF | CABLE, REAR DRIVE LOWER | CÂBLE, COMMANDE TRACTION INFIERIEURE | KABEL, ANTRIEB UNTER  | (BI. CI. DI.)       |
| -    | 81000671/0 | 1    | CAVO COMANDO TRAZIONE INF | CABLE, REAR DRIVE LOWER | CÂBLE, COMMANDE TRACTION INFIERIEURE | KABEL, ANTRIEB UNTER  | (FRANCE REDUCTEURS) |
| 417  | 22246031/0 | 1    | GIUNZIONE INF             | LOWER JOINT             | CONNECTION INF                       | VERBINDUNG OBEN       |                     |
| 418  | 22042040/0 | 1    | BUSSOLA ISOLAMENTO        | ISOLATION COMPASS       | BOUSSOLE DE ISOLEMENT                | ABSONDERUNG KOMPAS    |                     |
| 419  | 22246030/0 | 1    | GIUNZIONE SUP             | UPPER JOINT             | CONNECTION SUP                       | VERBINDUNG UNTER      |                     |
| 420  | 81001150/0 | 1    | CAVO COMANDO TRAZIONE SUP | CABLE, REAR DRIVE UPPER | CÂBLE, COMMANDE TRACTION SUPERIEURE  | KABEL, ANTRIEB OBER   |                     |
| 421  | 22041957/1 | 1    | BUSSOLA                   | BUSH                    | DOUILLE                              | BUCHSE                |                     |
| 422  | 22450063/0 | 1    | MOLLA                     | SPRING                  | RESSORT                              | FEDER                 |                     |
| 423  | 22680009/0 | 1    | ROSETTA                   | WASHER                  | RONDELLE                             | SCHEIBE               |                     |
| 424  | 12154510/0 | 1    | DADO                      | NUT                     | ECROU                                | MUTTER                |                     |
| 425  | 22110230/0 | 1    | TAPPO                     | CAP                     | BOUCHON                              | GUMMISTOPFEN          |                     |



| Pos. | Code | Q.ty | Descrizione | Description | Description | Beshreibung | Remarks |
|------|------|------|-------------|-------------|-------------|-------------|---------|
|------|------|------|-------------|-------------|-------------|-------------|---------|



| Pos.  | Code       | Q.ty | Descrizione            | Description        | Description            | Beshreibung       | Remarks      |
|-------|------------|------|------------------------|--------------------|------------------------|-------------------|--------------|
| 451   | 22785061/0 | 1    | SUPPORTO CAPOTTINA     | SUPPORT, COVER     | SUPPORT CAPOT          | HALTER, HAUBE     |              |
| 452   | 12728710/0 | 4    | VITE                   | SCREW              | VIS                    | SCHRAUBE          |              |
| 453   | 18563012/0 | 1    | MOTORE RST             | MOTOR RST          | MOTEUR RST             | MOTOR RST         | 230V (1600W) |
| 453.1 | 18740051/0 | 1    | VENTOLA PER MOTORE RST | FAN MOTOR RST      | VENTILATEUR MOTEUR RST | LÜFTER MOTOR RST  |              |
| 453.2 | 18222038/0 | 1    | CONDENSATORE 20 µF     | CONDENSER 20 µF    | CONDENSEUR 20 µF       | KONDENSATOR 20 µF |              |
| 454   | 12735410/0 | 4    | VITE                   | SCREW              | VIS                    | SCHRAUBE          |              |
| 455   | 12583500/0 | 4    | GROWER                 | GROWER             | GROWER                 | FEDERRING         |              |
| 456   | 12293200/0 | 4    | DADO                   | NUT                | ECROU                  | MUTTER            |              |
| 457   | 22207211/3 | 1    | FLANGIA                | FLANGE             | BRIDE                  | FLANSCH           |              |
| 458   | 22720360/1 | 1    | SCHERMO VENTILAZIONE   | VENTILATION SCREEN | ECRAN VENTILATION      | LÜFTUNGSSCHIRM    |              |
| 459   | 12691800/0 | 4    | VITE                   | SCREW              | VIS                    | SCHRAUBE          |              |
| 460   | 12139440/0 | 1    | LINGUETTA              | FEATHER            | CLAVETTE               | KEIL              |              |
| 461   | 22170960/0 | 1    | DISTANZIALE            | SPACER             | ENTRETOISE             | DISTANZRING       |              |



| Pos. | Code       | Q.ty | Descrizione       | Description    | Description   | Beshreibung     | Remarks |
|------|------------|------|-------------------|----------------|---------------|-----------------|---------|
| 501  | 22463186/2 | 1    | MOZZO             | HUB            | MOYEU         | HALTER          |         |
| 502  | 81004396/0 | 1    | COLTELLO ALETTATO | BLADE WINGED   | LAME AILETTÉE | MESSER FLÜGEL   |         |
| -    | 81004341/3 | 1    | COLTELLO STANDARD | BLADE STANDARD | LAME STANDARD | MESSER STANDARD |         |
| 503  | 12583500/0 | 2    | GROWER            | GROWER         | GROWER        | FEDERRING       |         |
| 504  | 12793101/0 | 2    | VITE              | SCREW          | VIS           | SCHRAUBE        |         |
| 505  | 81004352/0 | 1    | VITE              | SCREW          | VIS           | SCHRAUBE        |         |
| 506  | 12713801/0 | 1    | GRANO             | DOWEL          | GRAIN         | STIFT           |         |

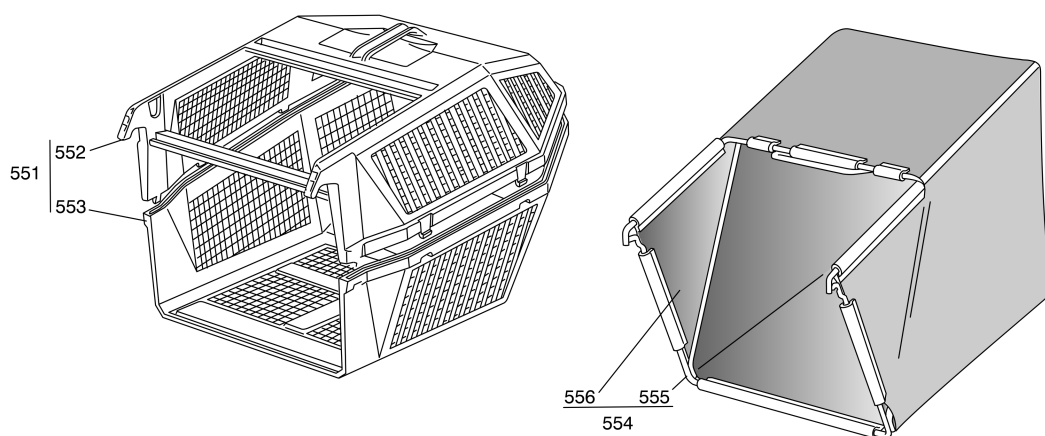
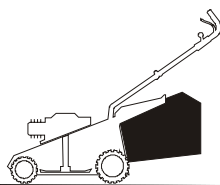


## GLOBAL GARDEN PRODUCTS

| Pos. | Code       | Q.ty | Descrizione | Description | Description | Beshreibung    | Remarks |
|------|------------|------|-------------|-------------|-------------|----------------|---------|
| 507  | 22601911/0 | 1    | PULEGGIA    | PULLEY      | POULIE      | RIEMENSCHLEIBE |         |

6

06D\_001

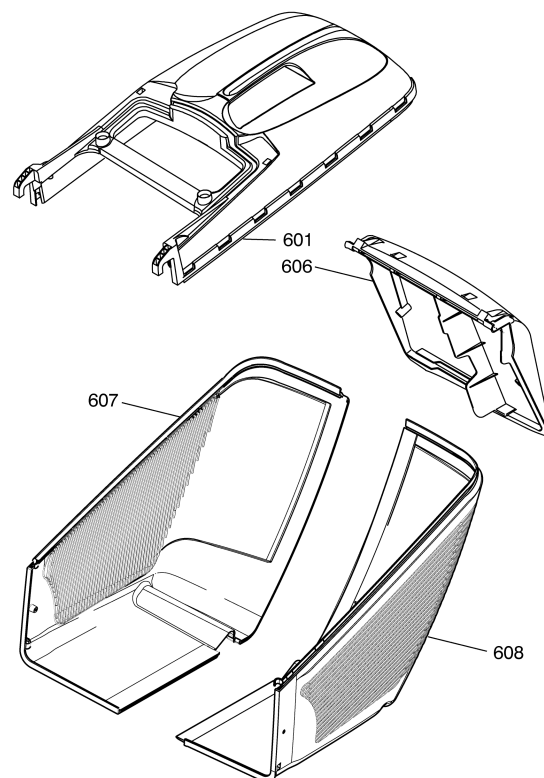
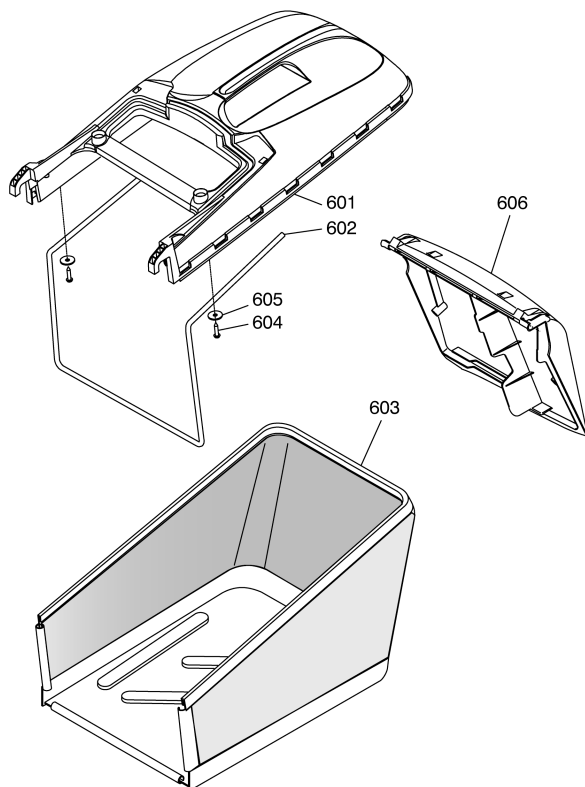
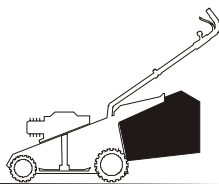


| Pos. | Code       | Q.ty | Descrizione             | Description                    | Description            | Beshreibung     | Remarks |
|------|------------|------|-------------------------|--------------------------------|------------------------|-----------------|---------|
| 551  | 98005000/1 | 1    | SACCO, COMPLETO         | GRASSCATCHER, COMPLETE         | SAC, COMPLETE          | SACK, KOMPLETTE |         |
| 552  | 22486076/0 | 1    | SACCO, PARTE SUP        | GRASS-BOX, UPPER PART          | SAC, PARTIE SUPERIEURE | KORB, OBERTEIL  |         |
| 553  | 22486077/0 | 1    | SACCO, PARTE INF        | GRASS-BOX, LOWER PART          | SAC, PARTIE INFERIEURE | KORB, UNTERTEIL |         |
| 554  | 98004000/0 | 1    | SACCO IN TELA, COMPLETO | GRASSCATCHER, CANVASS COMPLETE | SAC EN TOILE, COMPLETE | SACK, KOMPLETTE |         |
| 555  | 81006408/0 | 1    | TELAIO SACCO            | CHASSIS BOX                    | CHÂSSIS BAC            | RAHMEN SACK     |         |
| 556  | 81002105/2 | 1    | SACCO, TELA             | BOX, FABRIC                    | SAC, TOILE             | SACK, TUCK      |         |



6

06D\_008



| Pos. | Code       | Q.ty | Descrizione      | Description           | Description            | Beshreibung        | Remarks |
|------|------------|------|------------------|-----------------------|------------------------|--------------------|---------|
| 601  | 22486101/0 | 1    | SACCO, PARTE SUP | GRASS-BOX, UPPER PART | SAC, PARTIE SUPERIEURE | KORB, OBERTEIL     |         |
| 602  | 22608525/0 | 1    | RINFORZO INF     | STIFFENING LOWER      | RÉNFORCEMENT INF       | VERSTÄRKUNG UNTERE |         |
| 603  | 81002211/0 | 1    | SACCO, TELA      | BOX, FABRIC           | SAC, TOILE             | SACK, TUCK         |         |
| 604  | 12728680/0 | 2    | VITE             | SCREW                 | VIS                    | SCHRAUBE           |         |
| 605  | 12523050/0 | 2    | ROSETTA          | WASHER                | RONDELLE               | SCHEIBE            |         |
| 606  | 22600063/1 | 1    | PARASASSI        | STONE-GUARD           | PARE-PIERRES           | PRALLBLECH         |         |
| 607  | 22486150/0 | 1    | SACCO, PARTE INF | GRASS-BOX, LOWER PART | SAC, PARTIE INFERIEURE | KORB, UNTERTEIL    | (DX)    |
| 608  | 22486151/0 | 1    | SACCO, PARTE INF | GRASS-BOX, LOWER PART | SAC, PARTIE INFERIEURE | KORB, UNTERTEIL    | (SX)    |